

GR-120N-2-00213 6 BOOM + 2 JIB(PT),X,4.9TON

PB1000700-00 HYDRAULIC PRESSURE GENERATING SYSTEM
PC1000608-00 OUTRIGGER SYSTEM
PD1000601-00 SWING SYSTEM
PE1000607-00 ELEVATING SYSTEM
PF1000734-00 WINCH SYSTEM
PG1000567-00 TELESCOPING SYSTEM
PH1000610-00 SAFETY DEVICES
PK1000684-01 FRAME
PL1000639-00 CONTROL DEVICES
PM1000032-01 LUBRICATION DEVICES
PN1000571-00 ELECTRIC EQUIPMENT
PO1000150-00 INDICATION PLATES
PQ1000231-00 DRIVING POWER GENERATING SYSTEM
PR1000148-00 DRIVING POWER TRANSMISSION SYSTEM
PS1000175-00 STEERING SYSTEM
PT1000155-00 BRAKE SYSTEM
PU1000147-00 SUSPENSION
PW1000097-02 ACCESSORIES & TOOLS
PX1001054-01 MOUNTING PARTS
PY1001717-00 OPTION UNIT,1
PY2000203-03 OPTIONS,2
ASSEMBLY

CLICK HERE TO **DOWNLOAD** THE COMPLETE MANUAL

- Thank you very much for reading the preview of the manual.
- You can download the complete manual from: www.heydownloads.com by clicking the link below



- Please note: If there is no response to CLICKING the link, please download this PDF first and then click on it.

CLICK HERE TO **DOWNLOAD** THE COMPLETE MANUAL

GR-120N-2-00213 6 BOOM + 2 JIB(PT),X,4.9TON

Pos No.	Parts No	Parts Name	Qty	Unit	Technical Data	Serial No (Start)	Serial No (End)
1	(*****)	HOOK ASSY (MAIN/4.9TON)	1				
2	36094680000	HOOK ASSY (AUX./1.8TON)	1				
3	37001808720	ROPE,WIRE (KISWIRE)	1				
	37001808710	ROPE,WIRE (TESAC)	1				
4	37001800160	ROPE,WIRE (TESAC)	1				FD2324
	37001806830	ROPE,WIRE (KISWIRE)	1				FD2324
	37001809710	ROPE,WIRE (KISWIRE)	1			FD2325	
	37001809690	ROPE,WIRE (TESAC)	1			FD2325	
5	(*****)	SOCKET ASSY,ROPE (MAIN)	1				
6	(*****)	SOCKET ASSY,ROPE (AUX.)	1				
8	(*****)	PIPING,WINCH	1				FD2442
	(*****)	PIPING ASSY,WINCH	1			FD2443	
9	(*****)	INDICATOR ASSY,DRUM (MAIN & AUX.)	1				
10	(*****)	WINCH ASSY (MOUNT)	1				FD2227
	(*****)	WINCH ASSY (MOUNT)	1			FD2228	
11	(*****)	SUPPORT ASSY (WINCH)	1				FD2227

GR-120N-2-00213 6 BOOM + 2 JIB(PT),X,4.9TON

Pos No.	Parts No	Parts Name	Qty	Unit	Technical Data	Serial No (Start)	Serial No (End)	Rem
1	(*****)	PARTS ASSY,GREASE (UPPER)	1					
2	(*****)	CENTRAL LUBRICATION SYSTEM	1					

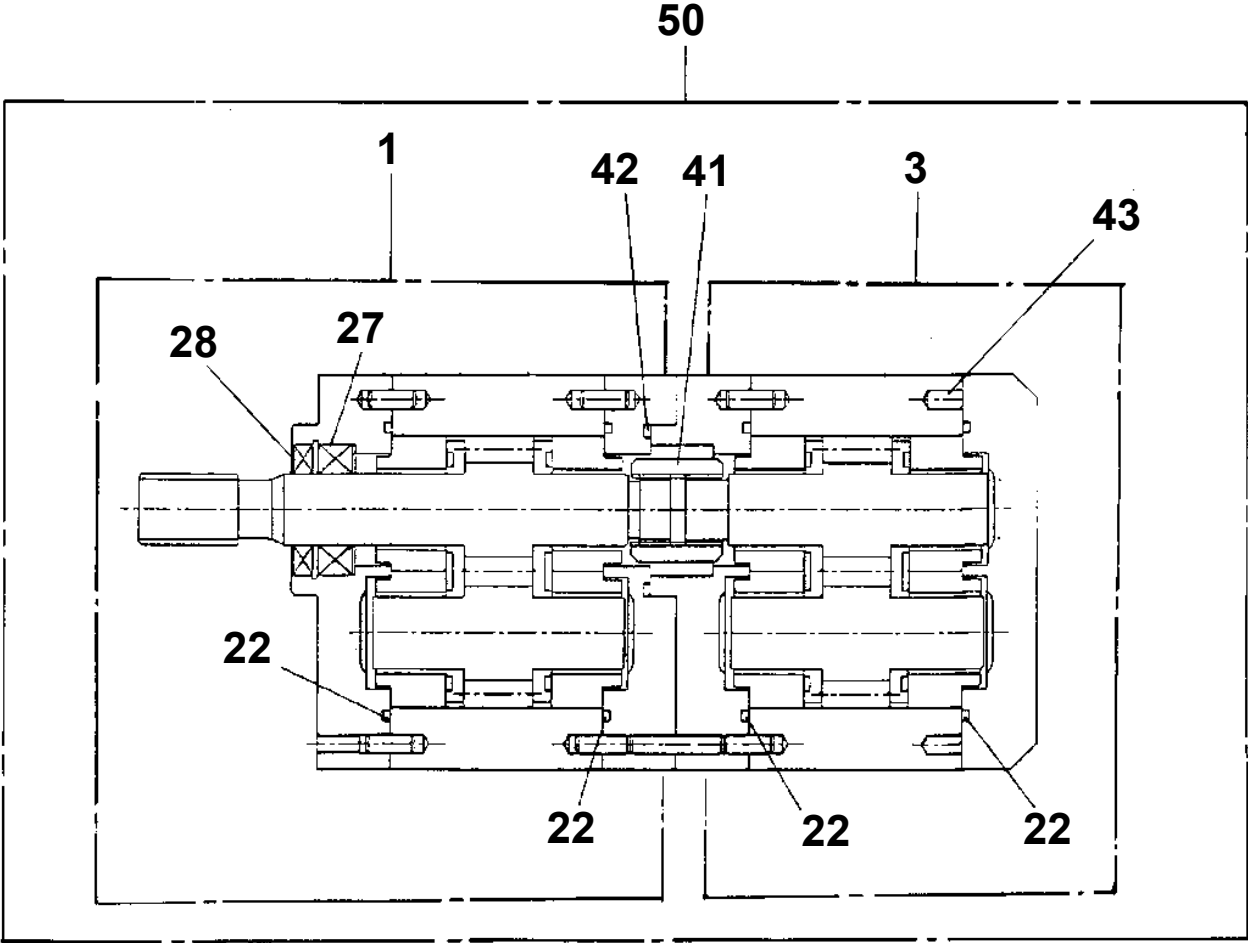
GR-120N-2-00213 6 BOOM + 2 JIB(PT),X,4.9TON

Pos No.	Parts No	Parts Name	Qty	Unit	Technical Data	Serial No (Start)	Serial No (End)
1	(*****)	STEERING ASSY CAB(UPPER,PIPNG)	1				
2	(*****)	STEERING ASSY (CAB/LOWER)	1				FD2227
	(*****)	STEERING ASSY (CAB/LOWER)	1			FD2228	
3	(*****)	PIPING,STEERING (LOWER)	1				
4	(*****)	CYLINDER,STEERING INSTALLATION	1				

GR-120N-2-00213 6 BOOM + 2 JIB(PT),X,4.9TON

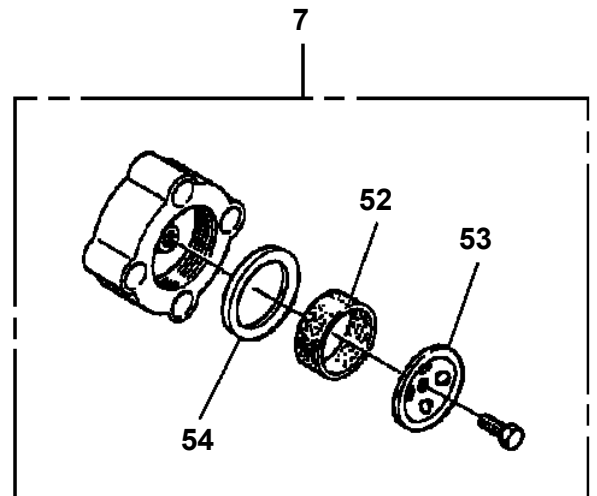
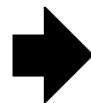
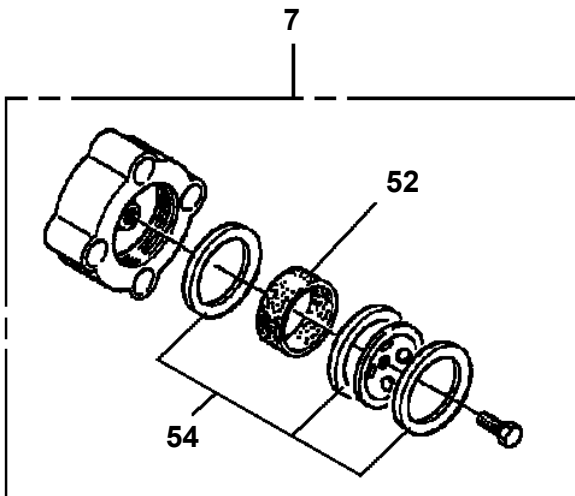
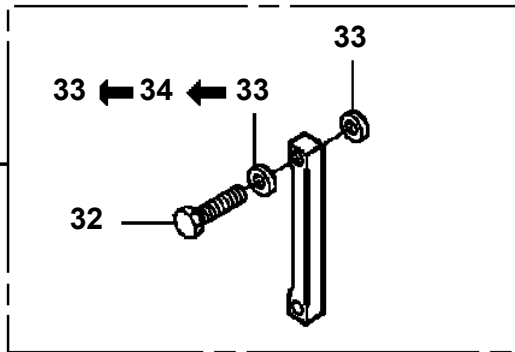
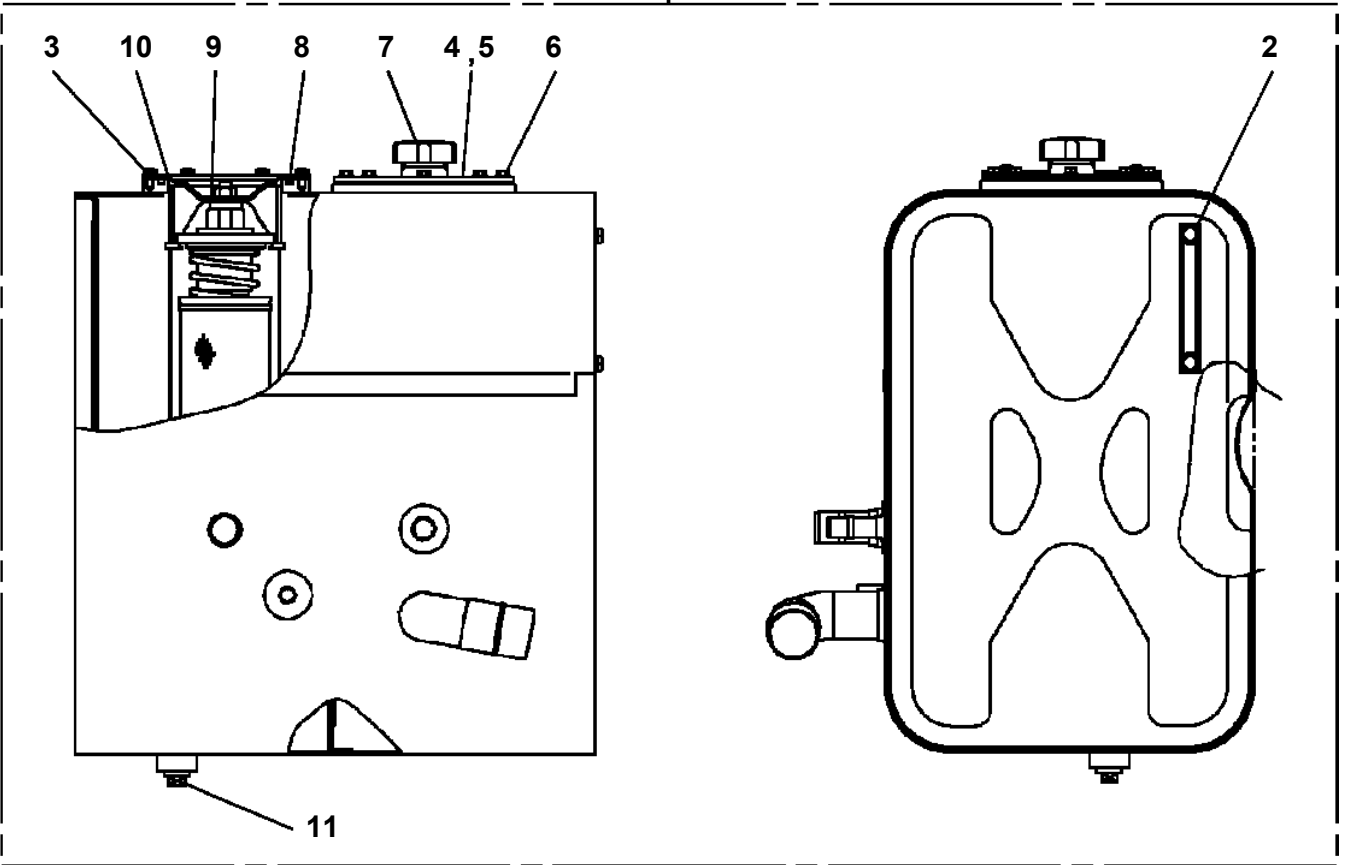
Pos No.	Parts No	Parts Name	Qty	Unit	Technical Data	S
1	34493430000	CURTAIN	1			
2	(*****)	COVER ASSY (FOR NON SPEAKER)	1			
3	(*****)	OPE.ASSY,CONT.VALVE	1			
4	(*****)	OPE.ASSY,CONT.VALVE	1			
5	(*****)	OPE.ASSY,CONT.VALVE	1			
6	(*****)	OPE.ASSY,CONT.VALVE (ISO:MAIN,AUX.PEDAL)	1			
7	(*****)	OPE.ASSY,CONT.VALVE	1			
8	(*****)	OPE.ASSY,CONT.VALVE(ISO:BOOM ELEVATING,AUX.WINCH PEDAL)	1			
9	(*****)	CENTRAL LUBRICATION SYSTEM	1			
10	(*****)	LAMP ASSY (TIRE)	1			
11	(*****)	SWITCH ASSY (OVERWIND RELEASE)	1			
13	(*****)	SPEEDOMETER	1			
14	(*****)	MIRROR	1			
15	(*****)	MIRROR ASSY	1			
16	(*****)	BOX,TOOL (MOUNT/STAINLESS)	1			
	(*****)	BOX,TOOL (MOUNT)	1			
18	(*****)	BOX,TOOL (RIGHT,BACK)	1			
19	(*****)	ROPE (SAFETY,FOR X-O/R)	1			
20	(*****)	INFLATOR,AIR	1			
22	(*****)	SPEAKER ASSY	1			
23	(*****)	NAME PLATE ASSY (REFLECTOR)	1			
24	(*****)	HEATER ASSY (WEBASTO)	1			
25	37000932910	JOINT (FOR GREASE SUPPLY HOSE)	1			

GR-120N-2-00213 6 BOOM + 2 JIB(PT),X,4.9TON
PB1100124-00 PUMP, HYDRAULIC

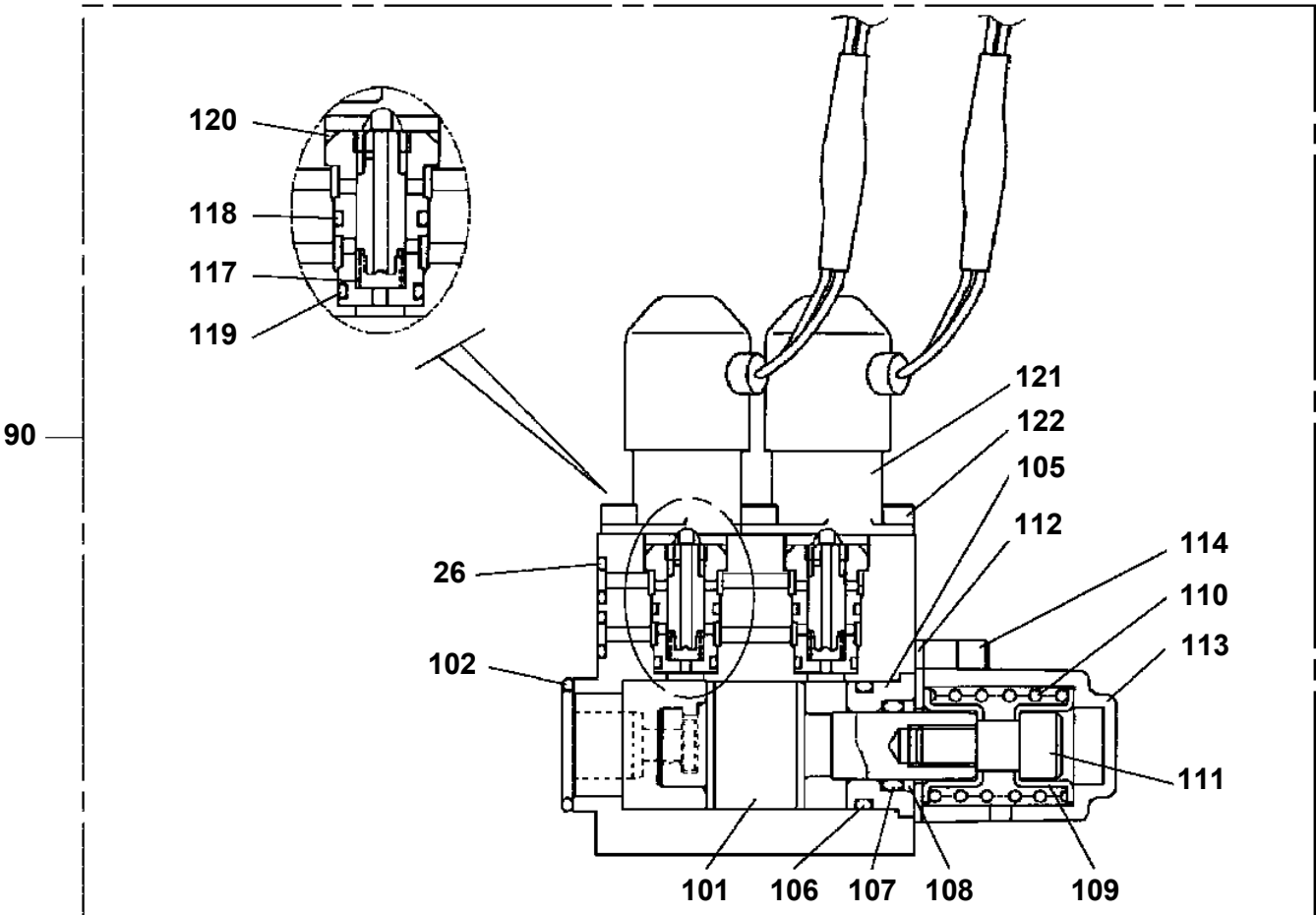
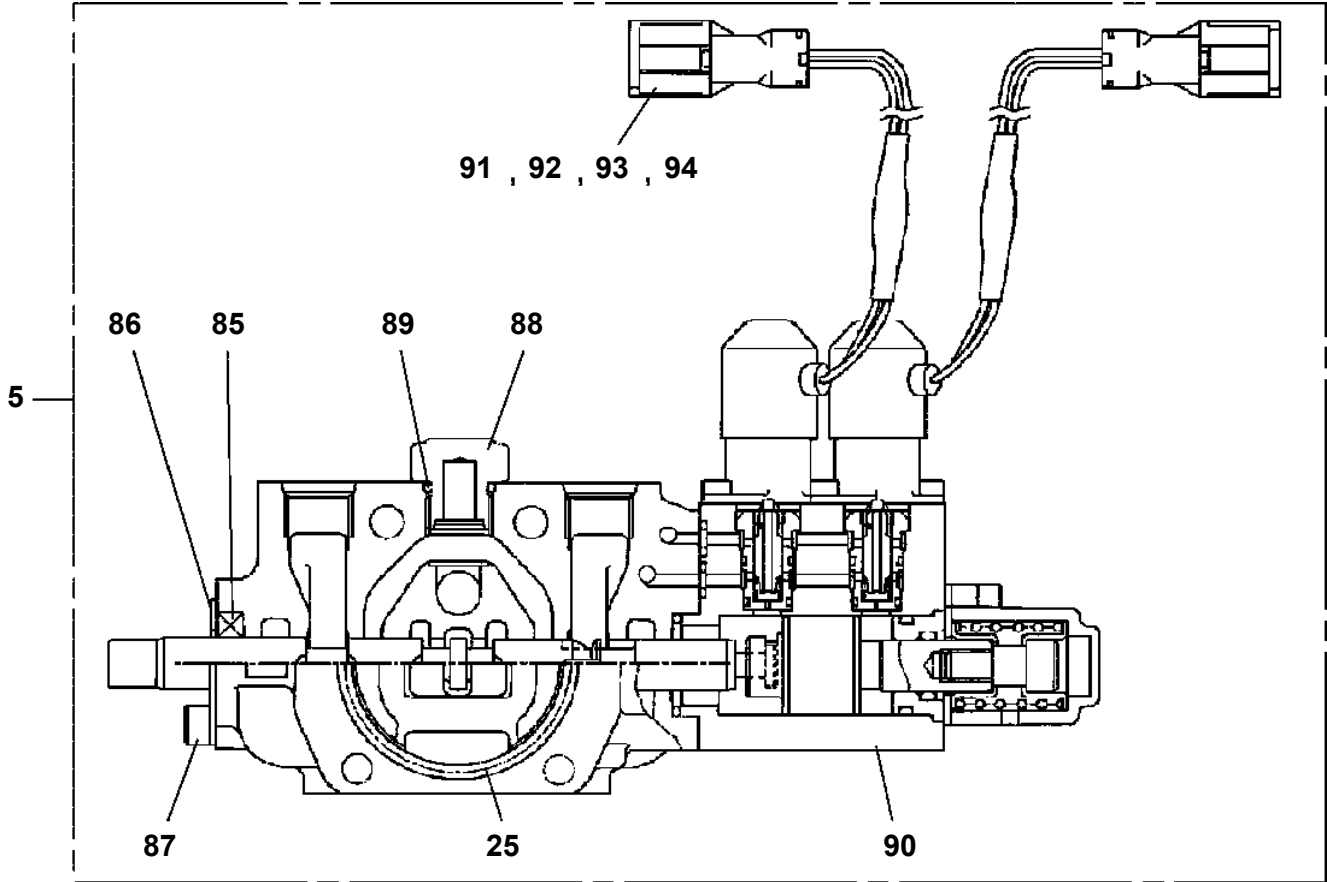


GR-120N-2-00213 6 BOOM + 2 JIB(PT),X,4.9TON
PB1130299-00 TANK,OIL

100



GR-120N-2-00213 6 BOOM + 2 JIB(PT),X,4.9TON
PB1340063-01 VALVE,SOLENOID CONTROL



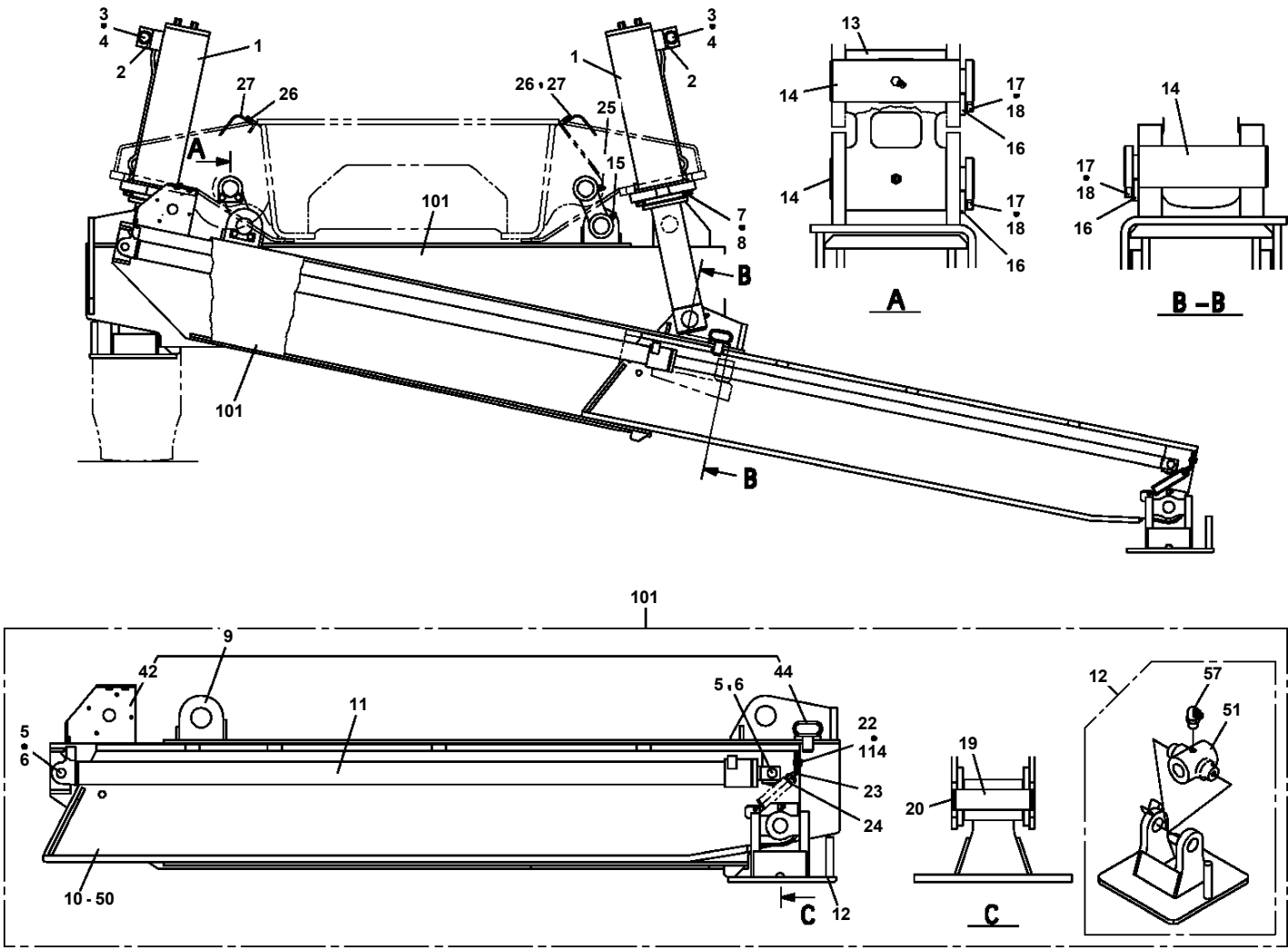
GR-120N-2-00213 6 BOOM + 2 JIB(PT),X,4.9TON

Pos No.	Parts No	Parts Name	Qty	Unit	Technical Data	Serial No (Start)	Serial No (End)
96	36648955380	BALL,STEEL	2				
97	90720006080	SCREW,SET	2				
98	36648955340	END,SPOOL	2				
99	36648955370	SPRING	2				
103	36634915310	RETAINER (SPRING)	3				
113	36648955390	PLUG	1				
114	91002800800	O-RING	3		1B P8		
127	36634915250	PLUG	3				
131	91002802000	O-RING	1		1B P20		
133	36648955400	BODY	1				
134	36637335460	SOLENOID ASSY	1				
135	36648935190	SOCKET	1				
136	36648935200	VALVE	1				
137	36646005170	SPRING	1				
138	91001001120	O-RING	2		1A S11.2		
139	91001001200	O-RING	1		1A S12		
140	36648615070	CONNECTOR	1				
141	82111101010	TERMINAL	2				
142	82121101085	PLUG (AVS0.85)	2				
143	82121102020	HOLDER	1				
145	90131906040	BOLT,HEXAGON SOCKET	2		M6X40		
146	36647205070	PLUG	1		GPM1/32		
159	36648955410	SPRING	4				
163	36648955440	SPOOL	1				
171	36634915280	PLUG	2				
175	36648955420	SPRING	1				
178	36648955450	PLUG	1				
179	36637495180	PLUG	1				
181	36648955430	SPRING	4				
194	91000501500	O-RING	3		AS568-015		
196	91002801001	O-RING	3		1B P10A		
204	91001001600	O-RING	16		1A S16		
213	36633975090	BODY (REGULATOR)	2				FD3064
	36646005290	BODY (REGULATOR)	2			FD3065	
214	16025153030	SPRING	2				
217	91002801600	O-RING	2		1B P16		
218	36648955190	STOPPER	2				
219	36648955200	SEAT,VALVE	2				FD3064
	36638255130	RETAINER (VALVE)	2			FD3065	
222	14225101010	VALVE,REGULATOR	2				
223	16025153020	SPRING	6				
224	36630045200	SCREW (ADJUSTING)	2		M10X25		
225	36630295130	NUT,CAP	2				FD3064
	36630045210	NUT,CAP	2			FD3065	
226	36630045220	NUT	2		M10		
230	36648955210	RING,BACKUP	2				
231	91411001001	RING,BACKUP	2		P10A		
232	91411001500	RING,BACKUP	2		P15		
233	91411001600	RING,BACKUP	2		P16		
304	91001100600	O-RING	5		1A P6		
305	36634365110	RING,BACKUP	5				
306	36634915330	SPRING	5				
308	91001101001	O-RING	5		1A P10A		
309	36634365100	RING,BACKUP	5				
310	19215101010	O-RING	10				
332	36631215040	SPRING	1				
900	36649460000	VALVE,PILOT OPERATED CONTROL	1				

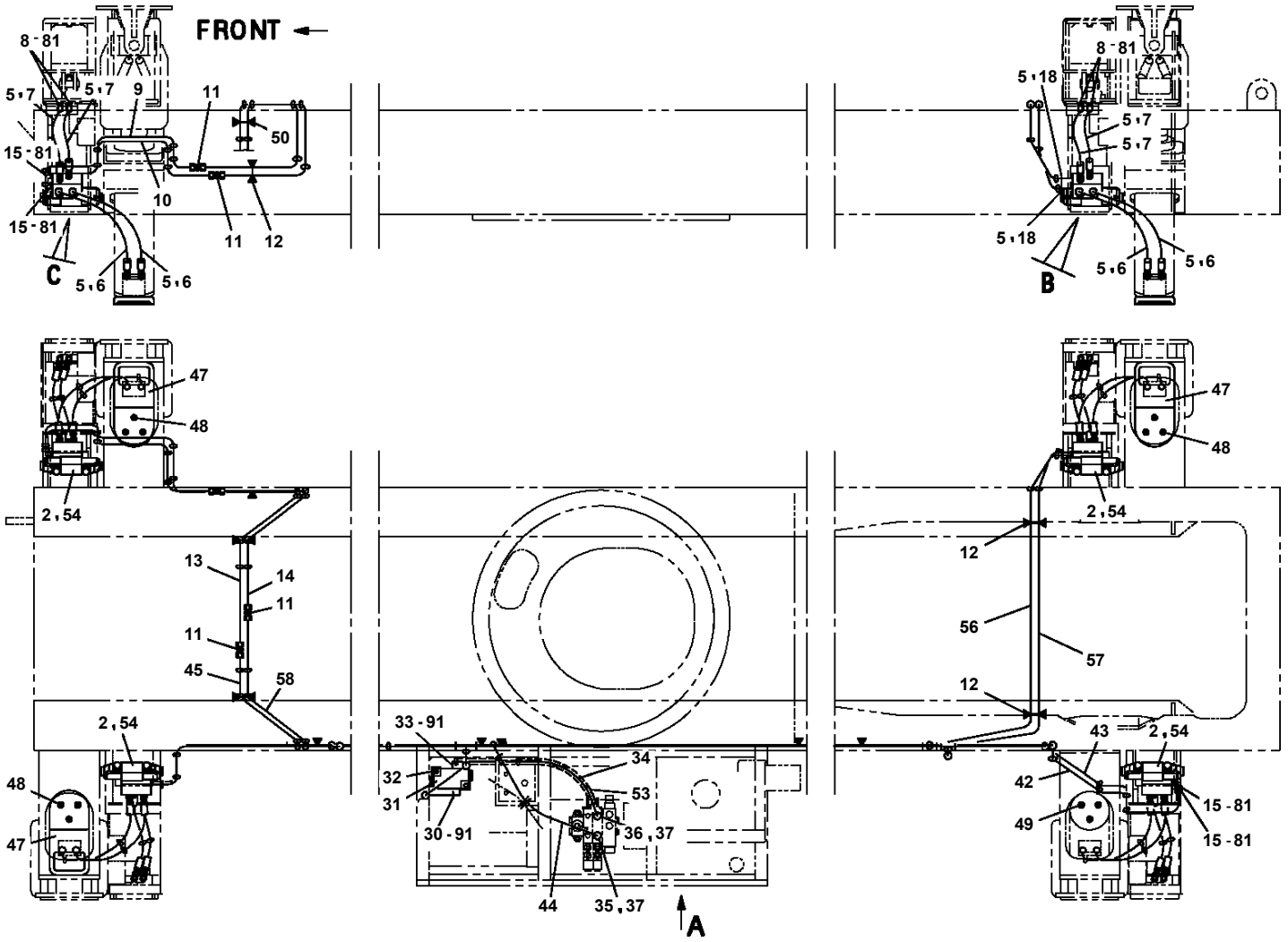
GR-120N-2-00213 6 BOOM + 2 JIB(PT),X,4.9TON

Pos No.	Parts No	Parts Name	Qty	Unit	Technical Data	Serial No (Start)	Serial No (E
72	36645770000	VALVE,SOLENOID	1				
74	80303130241	FITTING,ELBOW	2		KLO18-040E		FD2210
	80303130241	FITTING,ELBOW	1		KLO18-040E	FD2211	
76	80471020503	JOINT	1		45,G3/8-G3/8		
79	37000711000	CLAMP ASSY	1		12-1		
81	37000923020	JOINT	1		S,3/8-3/8-G1/4-G1/4		
82	80316070040	PLUG	3		PF1/4		FD2210
	80316070040	PLUG	1		PF1/4	FD2211	
83	37000924110	JOINT	1		S,G1/2-G1/2		
84	80303130201	FITTING,ELBOW	1		KLO15-040E		
85	80400160127	JOINT	2				
86	37000922070	JOINT	1		S,G1/4-G1/4	FD2211	
87	80301010100	FITTING	1		KUA12-000N		
88	80430621600	JOINT	1				
89	37000925950	JOINT	3		S,G1/4-G1/4		FD2210
	37000925950	JOINT	2		S,G1/4-G1/4	FD2211	
91	81408000160	PIPE,STEEL	1	M	12X1.4T		
93	80302090101	FITTING	2		KCO10-020N		FD2210
	80302090101	FITTING	4		KCO10-020N	FD2211	
94	37000929010	JOINT	1				
98	36741670000	VALVE,HYDRAULIC	1				FD2210
99	37000921300	JOINT	2		S,PF1/4-PF1/4		FD2210
	37000921300	JOINT	3		S,PF1/4-PF1/4	FD2211	
100	80400160185	FITTING,TEE	4				
101	81408000130	PIPE,STEEL	1	M	10X1.8T		
102	81408000130	PIPE,STEEL	1	M	10X1.8T		FD2210
103	81408000130	PIPE,STEEL	1	M	10X1.8T		
104	81408000160	PIPE,STEEL	1	M	12X1.4T		
105	81408000160	PIPE,STEEL	1	M	12X1.4T		
106	80303130101	FITTING,ELBOW	4		KLO10-020E		
107	81408000130	PIPE,STEEL	1	M	10X1.8T		FD2210
108	81408000160	PIPE,STEEL	1	M	12X1.4T		
109	81408000160	PIPE,STEEL	1	M	12X1.4T		FD2210
110	81408000160	PIPE,STEEL	2	M	12X1.4T		FD2210
111	81408000160	PIPE,STEEL	2	M	12X1.4T		FD2210
112	81408000160	PIPE,STEEL	2	M	12X1.4T		FD2210
113	81408000160	PIPE,STEEL	2	M	12X1.4T		FD2210
114	81408000241	PIPE,STEEL	1	M	18X1.9T		FD2210
115	36740100000	VALVE,SOLENOID	1				FD2045
	36740100001	VALVE ASSY,SOLENOID	1			FD2046	
116	36606030000	VALVE,SEQUENCE	1				
117	90302040801	WASHER,SPRING	2		8		FD3040
	90302040801	WASHER,SPRING	4		8	FD3041	
118	90172108065	BOLT,HEXAGON SOCKET	2		M8X65		
119	81408000160	PIPE,STEEL	1	M	12X1.4T		
120	81408000160	PIPE,STEEL	1	M	12X1.4T		
121	81408000160	PIPE,STEEL	1	M	12X1.4T		
122	81408000160	PIPE,STEEL	1	M	12X1.4T		
123	80330000200	FITTING,TEE	1		KTZ-00004N		FD2210
125	80311010250	FITTING	1		S,18-12		FD2210
126	81408000290	PIPE,STEEL	1	M	22X2.5T		FD2210
127	80320010180	FITTING	1		KUD22-060N		FD2210
128	37000925660	JOINT	1		S,G3/4-G1/2		FD2210
129	81408000160	PIPE,STEEL	1	M	12X1.4T		
130	80321112050	VALVE,CHECK	1				
131	81408000130	PIPE,STEEL	1	M	10X1.8T		FD2210
132	81408000160	PIPE,STEEL	1	M	12X1.4T		
133	81408000241	PIPE,STEEL	1	M	18X1.9T		
134	81408000160	PIPE,STEEL	1	M	12X1.4T		
135	80441030906	FITTING,ELBOW	1		L,G3/8-12.7		
136	81408000160	PIPE,STEEL	1	M	12X1.4T		
137	81408000160	PIPE,STEEL	1	M	12X1.4T		
138	34345591500	JOINT	3				FD2210

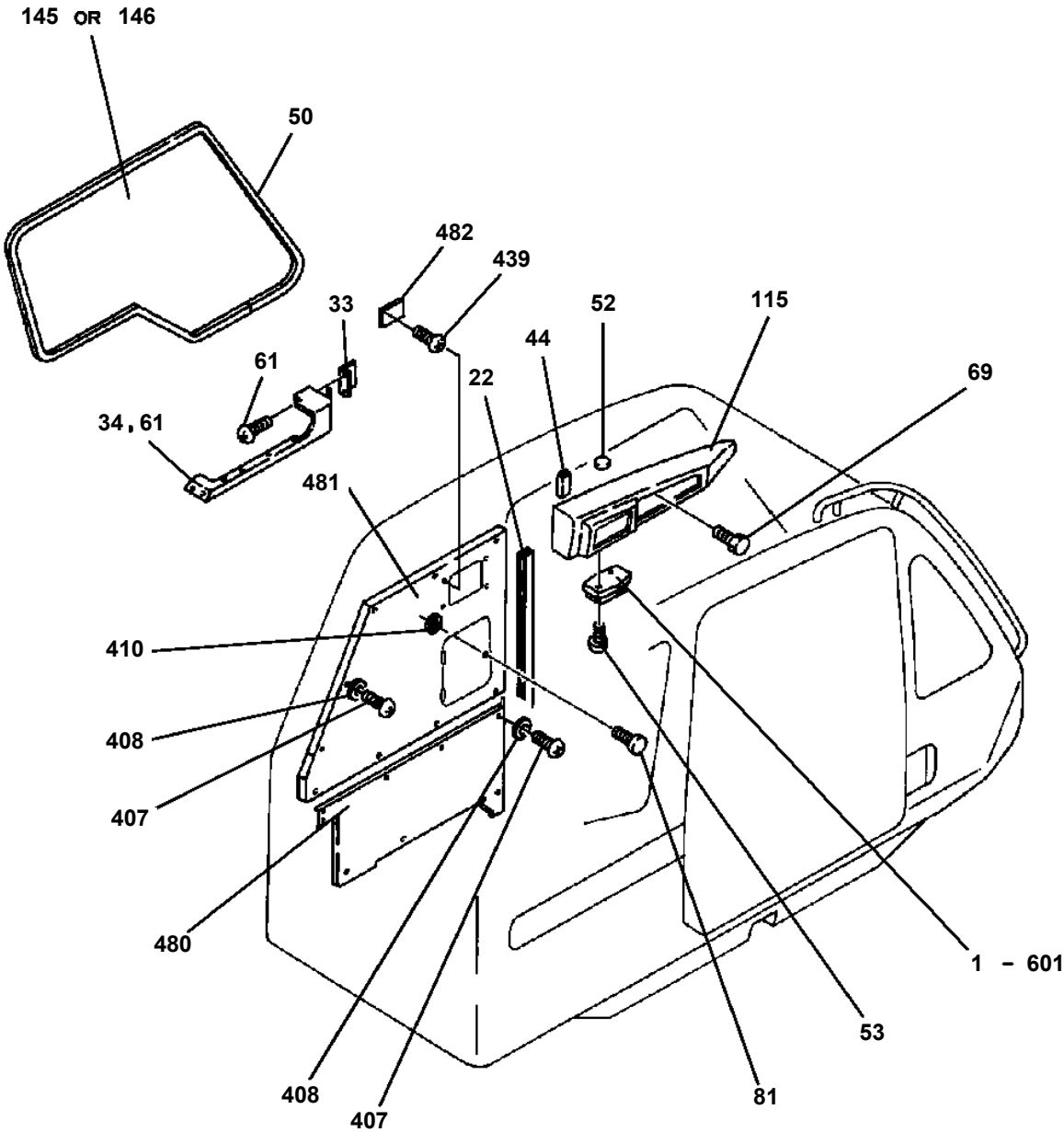
**GR-120N-2-00213 6 BOOM + 2 JIB(PT),X,4.9TON
PC1011469-01 OUTRIGGER (X)**



**GR-120N-2-00213 6 BOOM + 2 JIB(PT),X,4.9TON
PC1200627-01 PIPING,OUTRIGGER (X)**

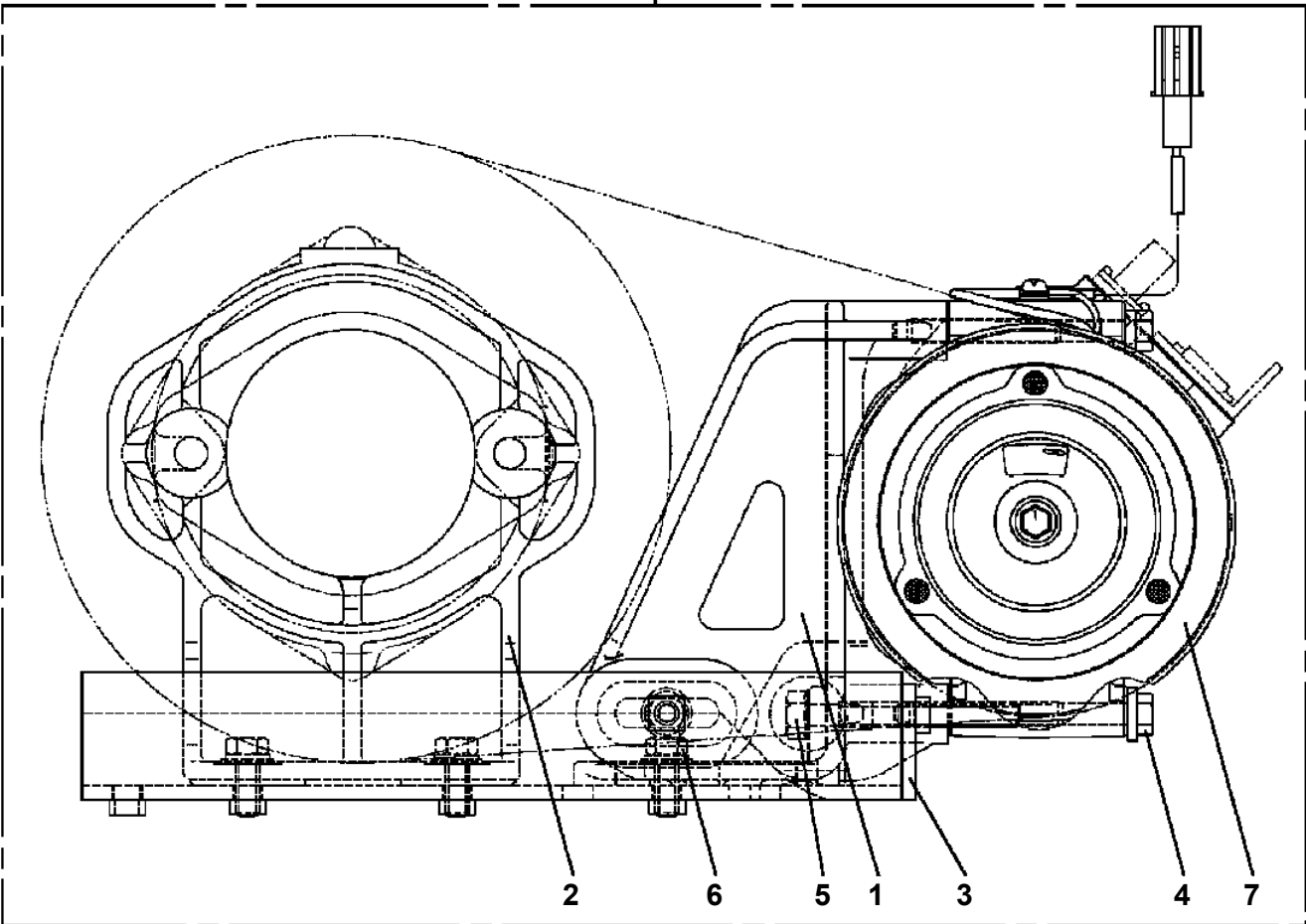


GR-120N-2-00213 6 BOOM + 2 JIB(PT),X,4.9TON
PC5010099-02 CAB ASSY

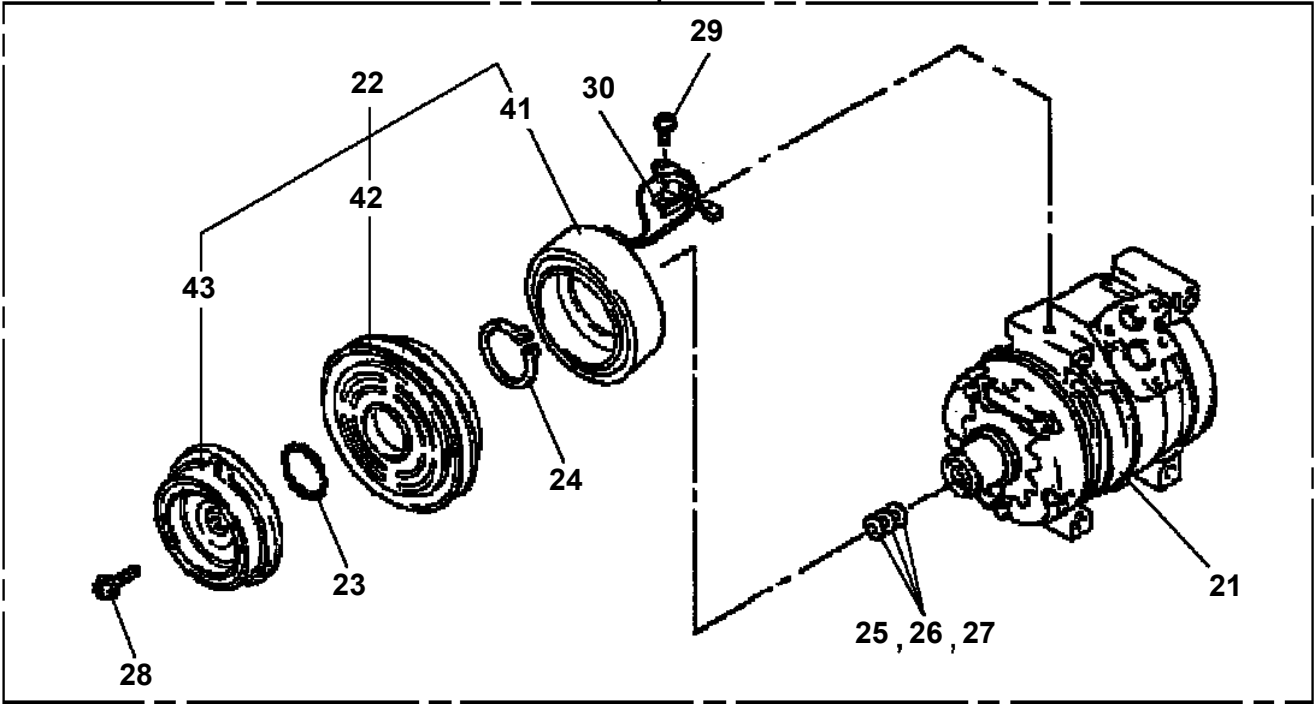


GR-120N-2-00213 6 BOOM + 2 JIB(PT),X,4.9TON
PC5340001-00 COMPRESSOR ASSY

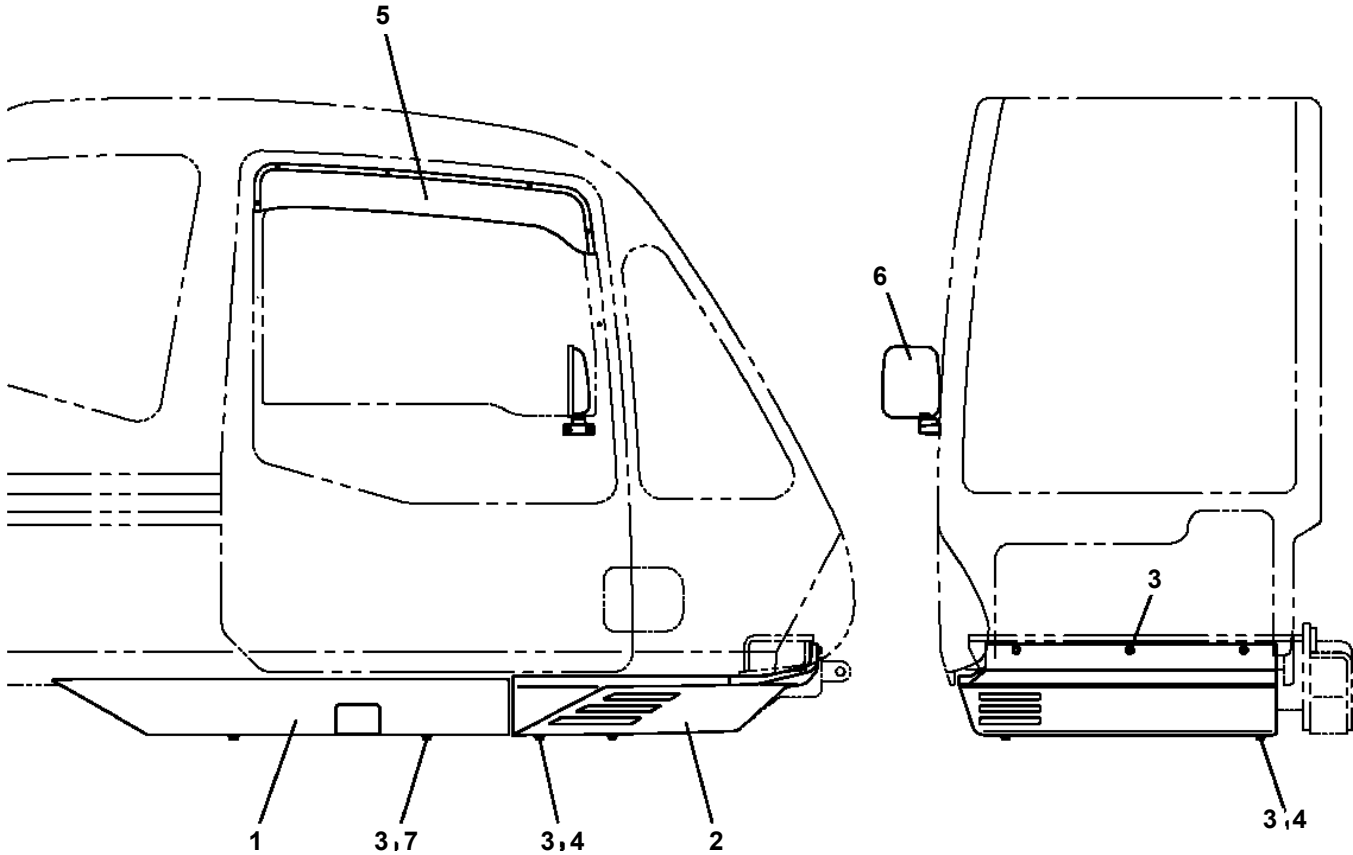
100



7

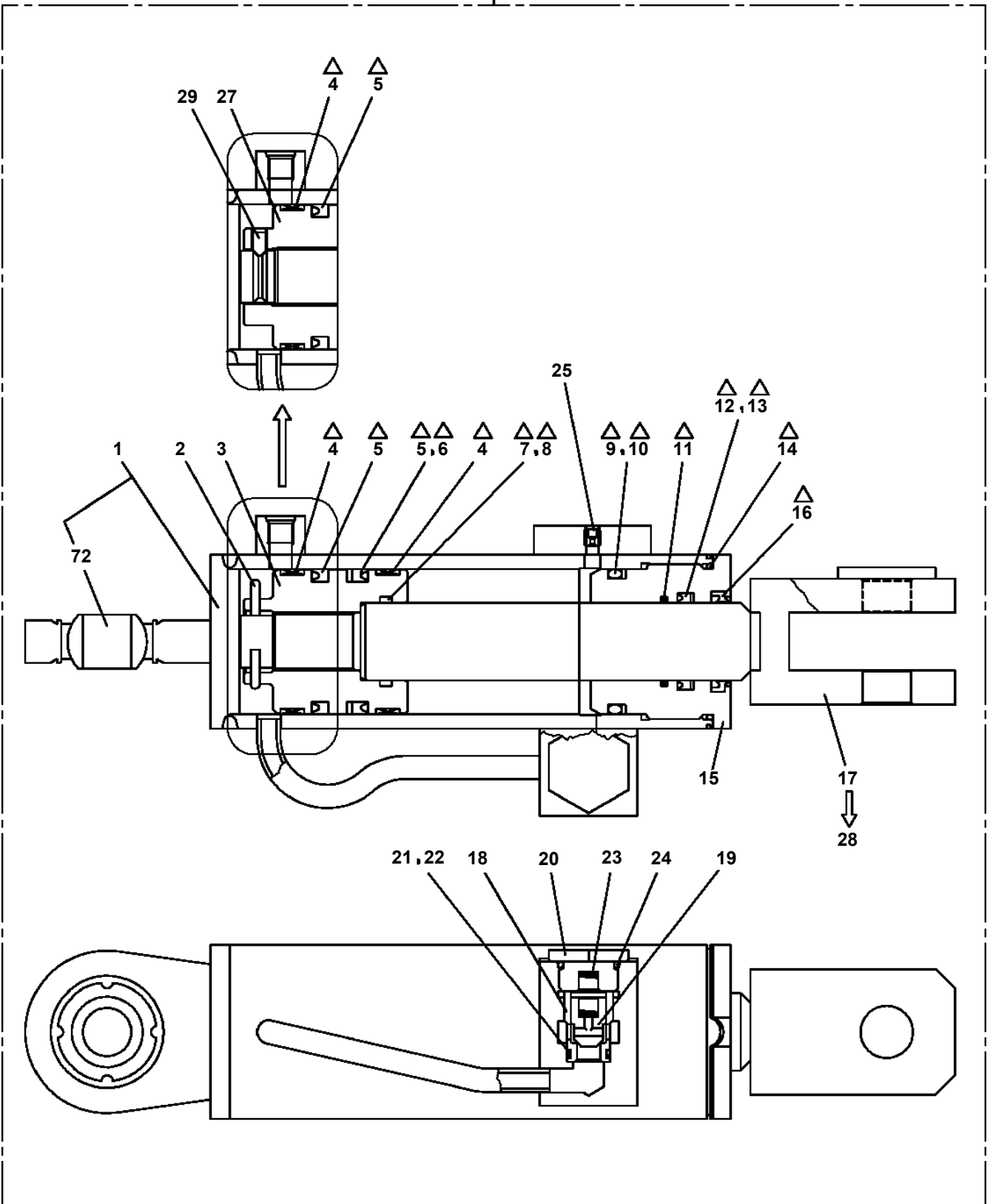


**GR-120N-2-00213 6 BOOM + 2 JIB(PT),X,4.9TON
PC5570002-00 COVER ASSY (CAB/SIDE VISOR & DOOR MIRROR)**



**GR-120N-2-00213 6 BOOM + 2 JIB(PT),X,4.9TON
 PC6440003-01 CYLINDER ASSY,SPRING LOCK (FRONT)**

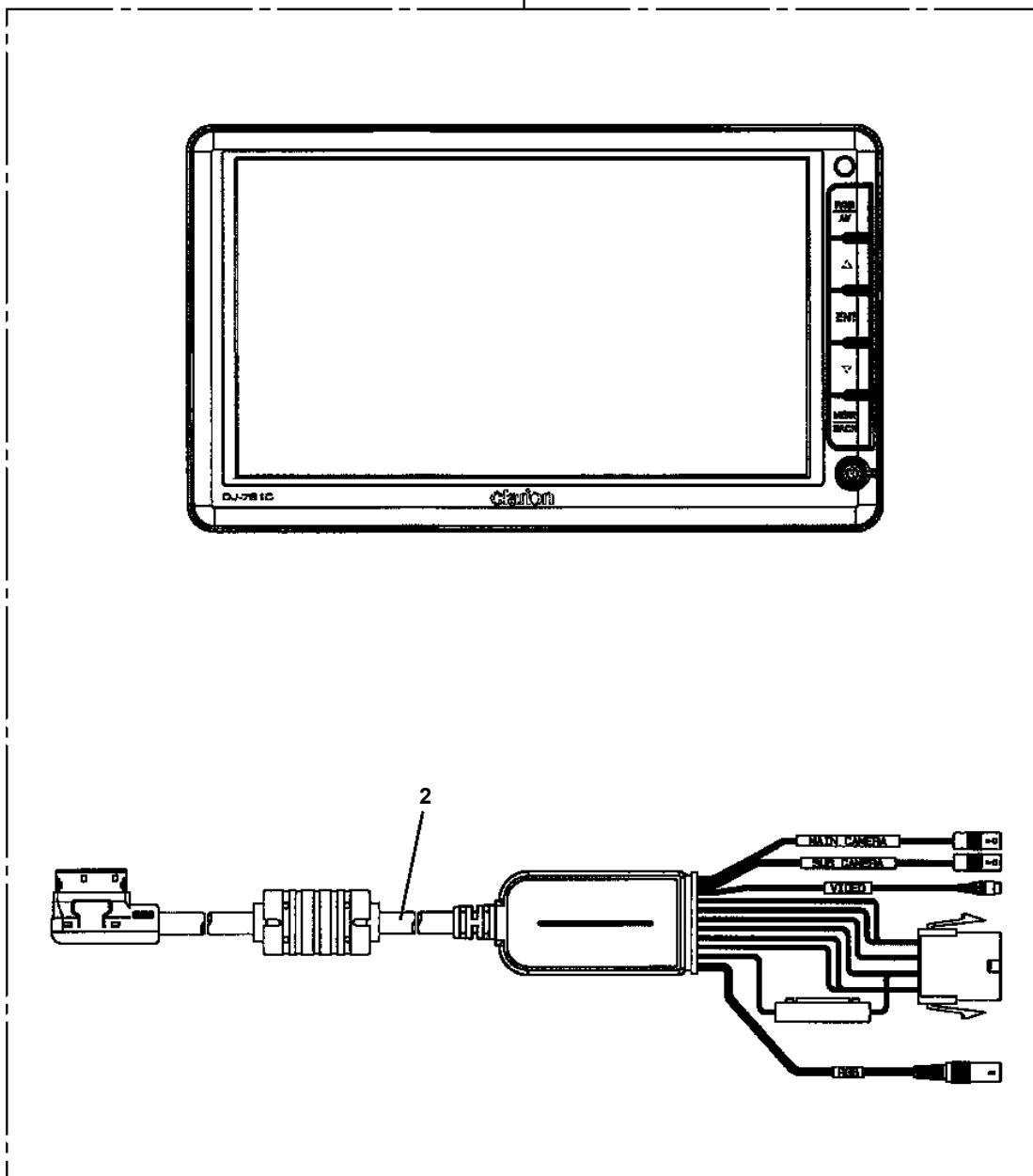
100



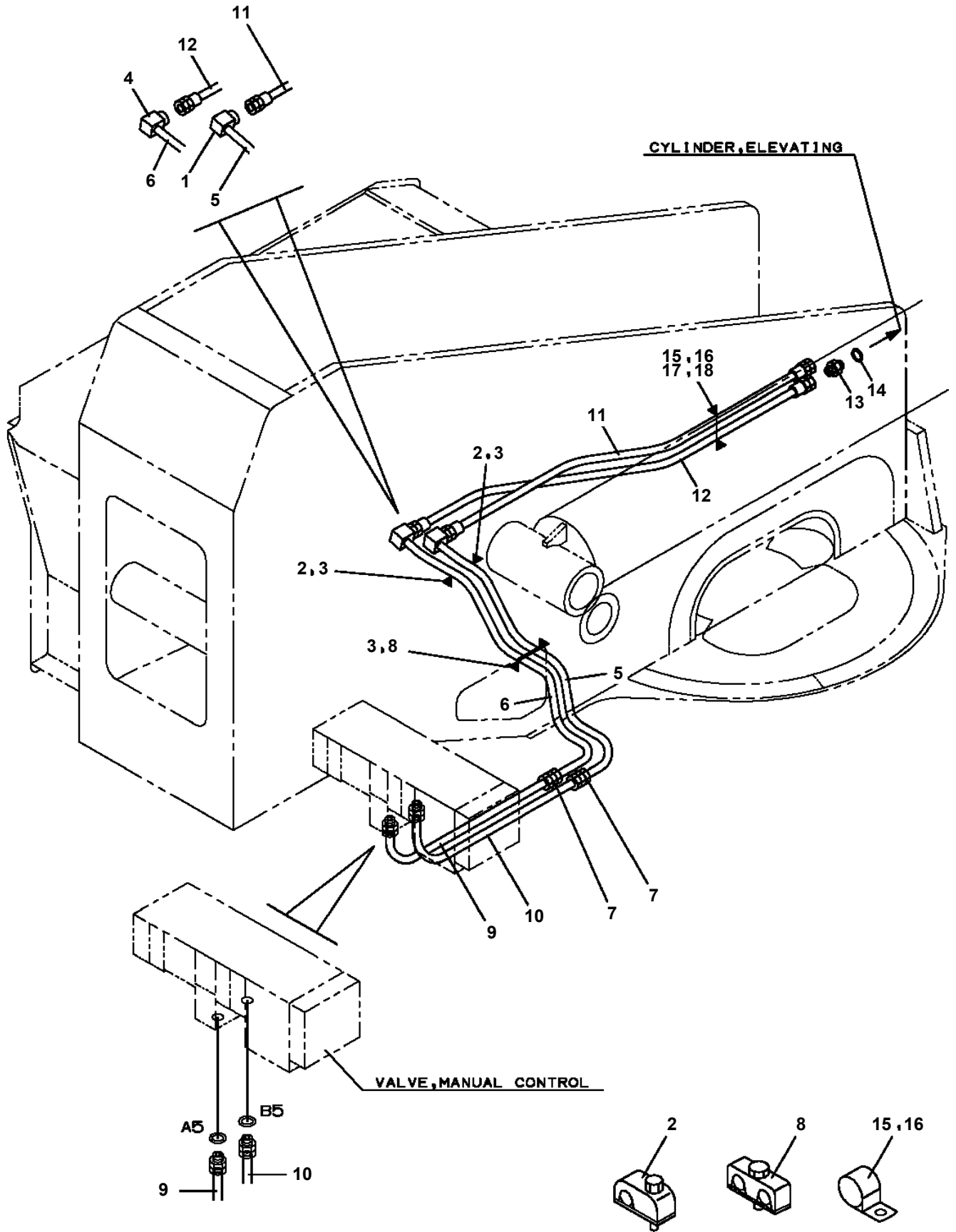
Δ :PACKING SET KEY NO.51 (KEY NO.4,5,6,7,8,9,10,11,12,13,14,16)

GR-120N-2-00213 6 BOOM + 2 JIB(PT),X,4.9TON
PD5160015-01 DISPLAY

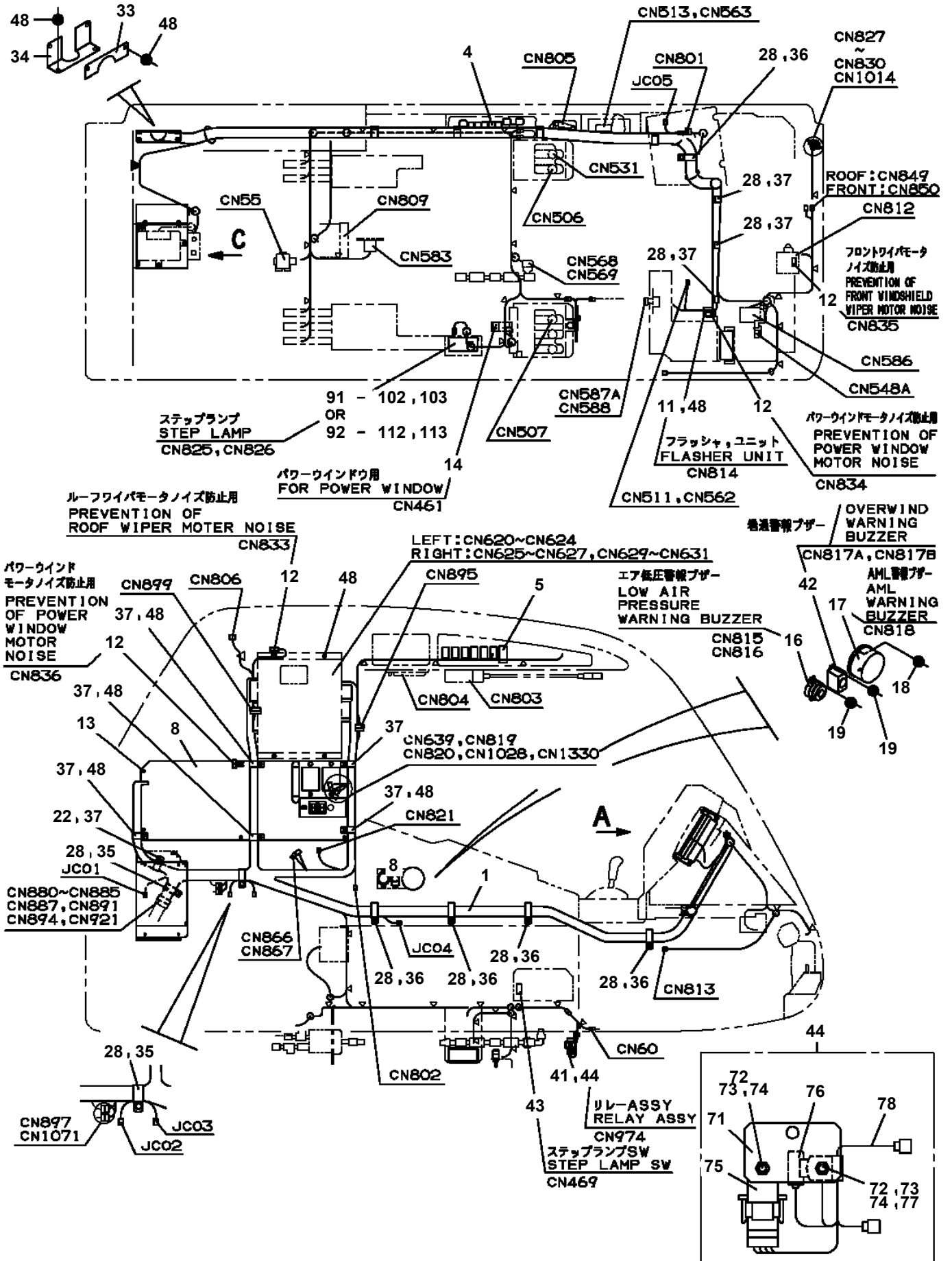
100



**GR-120N-2-00213 6 BOOM + 2 JIB(PT),X,4.9TON
PE1200116-01 PIPING,ELEVATING**



**GR-120N-2-00213 6 BOOM + 2 JIB(PT),X,4.9TON
PE5020939-00 ELEC.ASSY (CAB)**

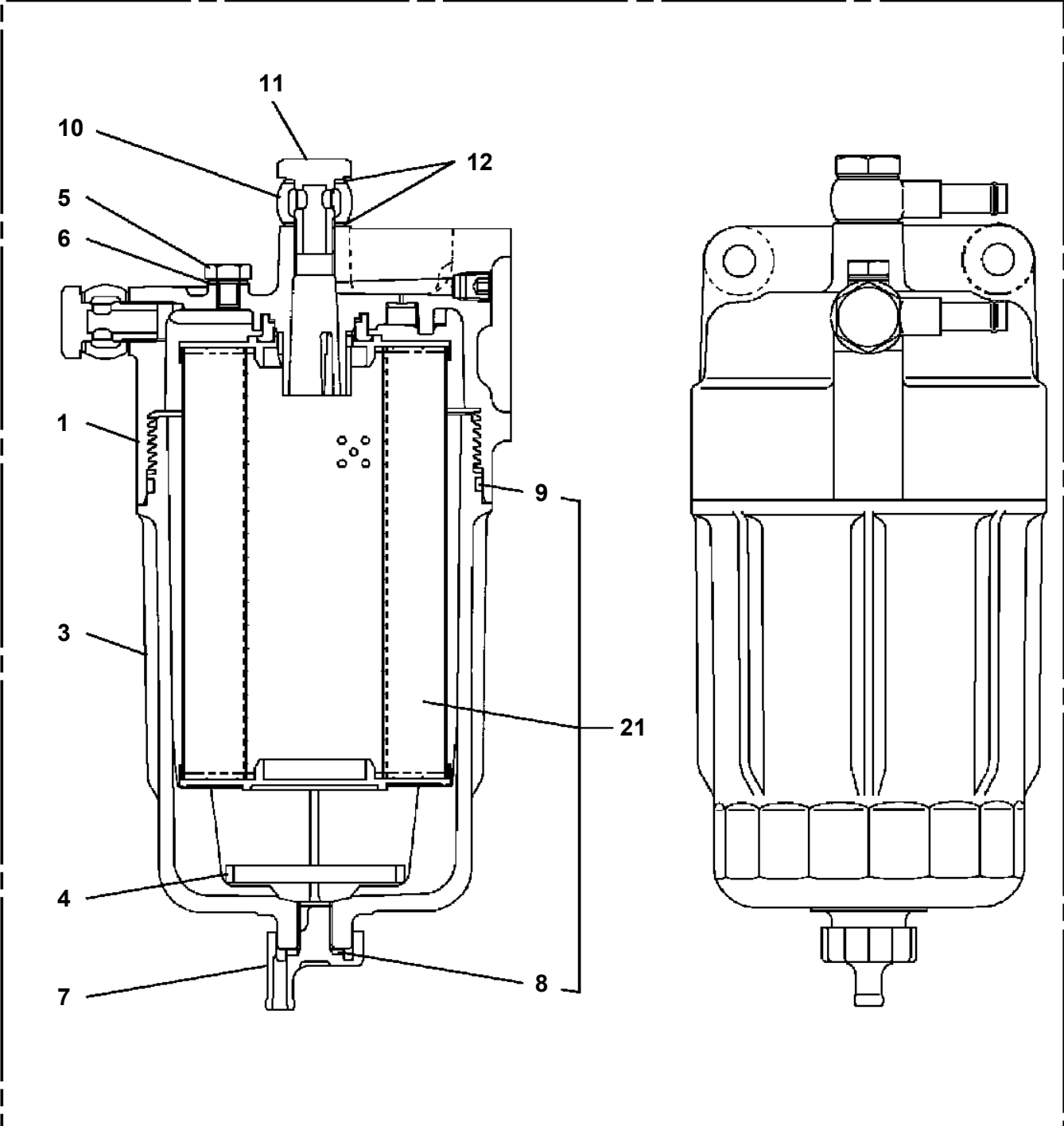


GR-120N-2-00213 6 BOOM + 2 JIB(PT),X,4.9TON

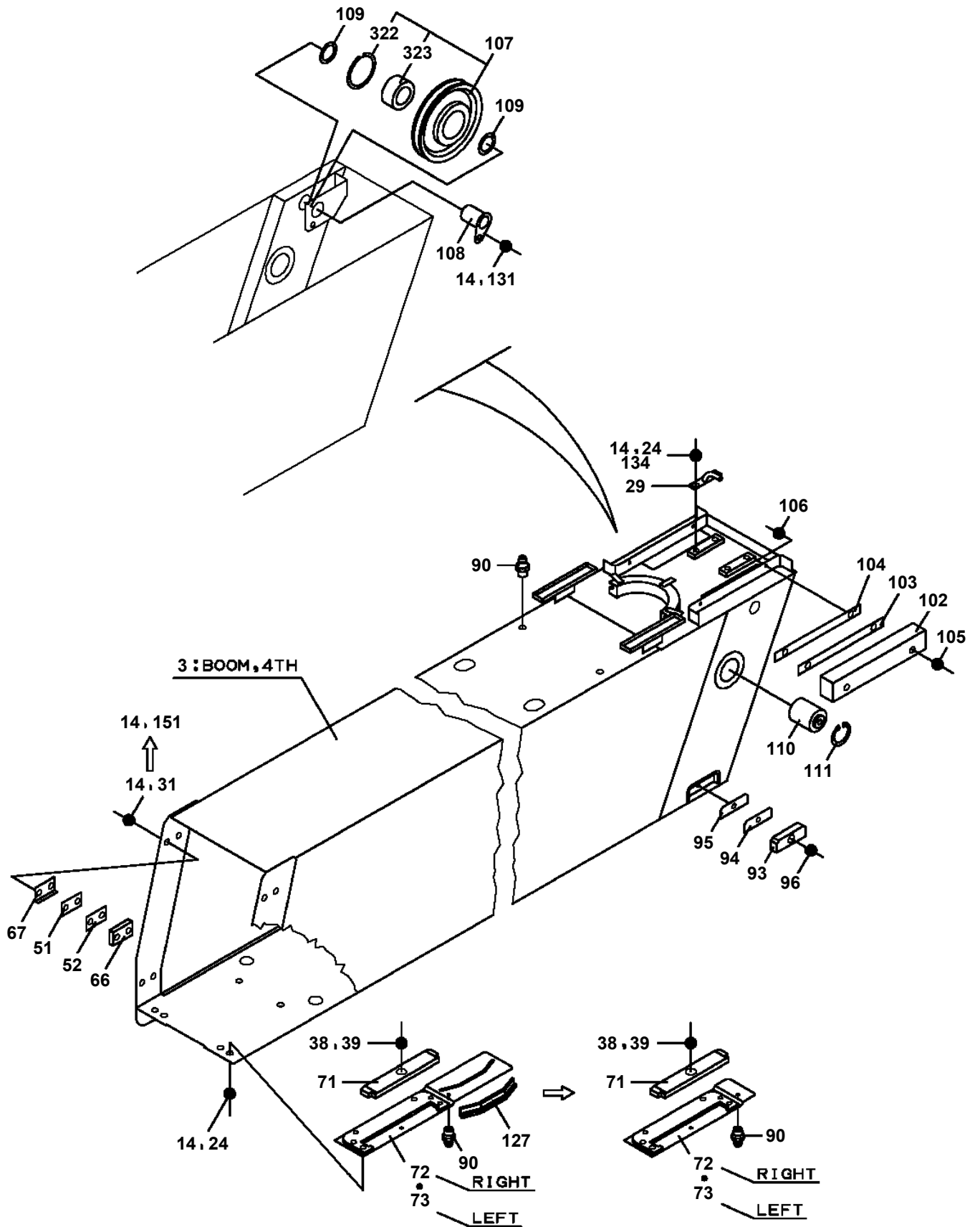
Pos No.	Parts No	Parts Name	Qty	Unit	Technical Data	Serial No (Start)	Serial No (End)	Remarks	Pages
1	34362455100	SUPPORT	1						
2	37000576760	SUPPORT	1						

GR-120N-2-00213 6 BOOM + 2 JIB(PT),X,4.9TON
PF5030002-00 FILTER ASSY

100



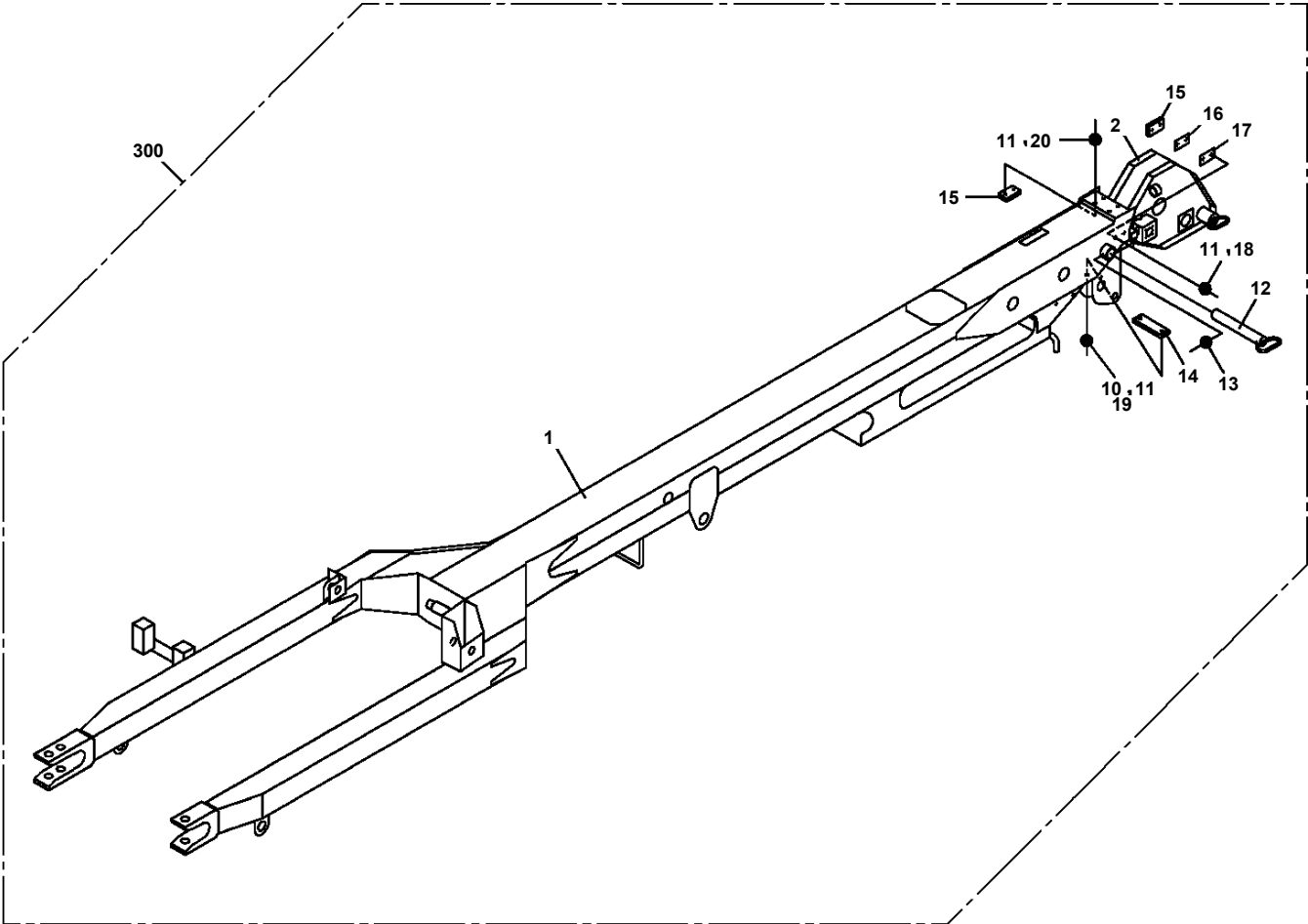
GR-120N-2-00213 6 BOOM + 2 JIB(PT),X,4.9TON
 PG1010720-09 BOOM (6 SECT.)



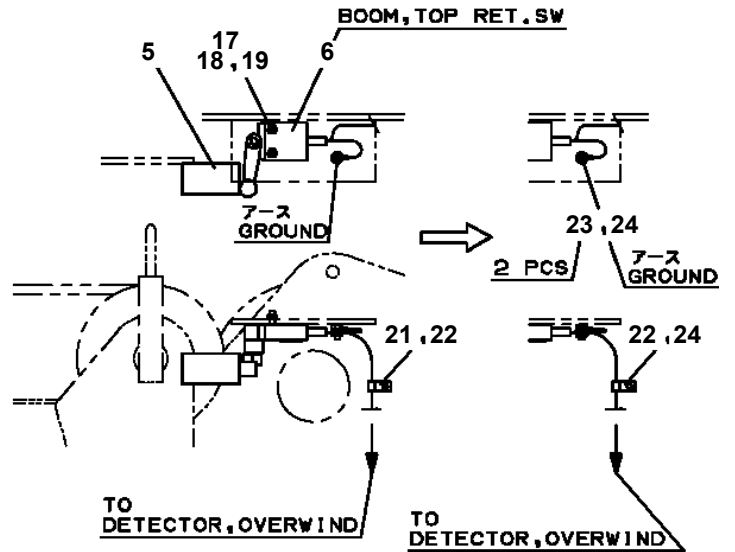
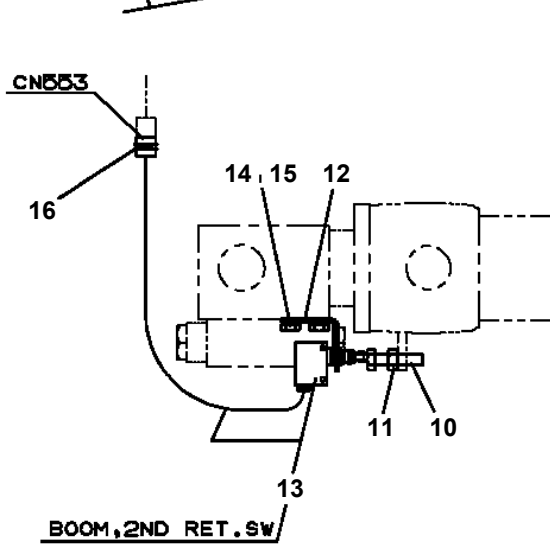
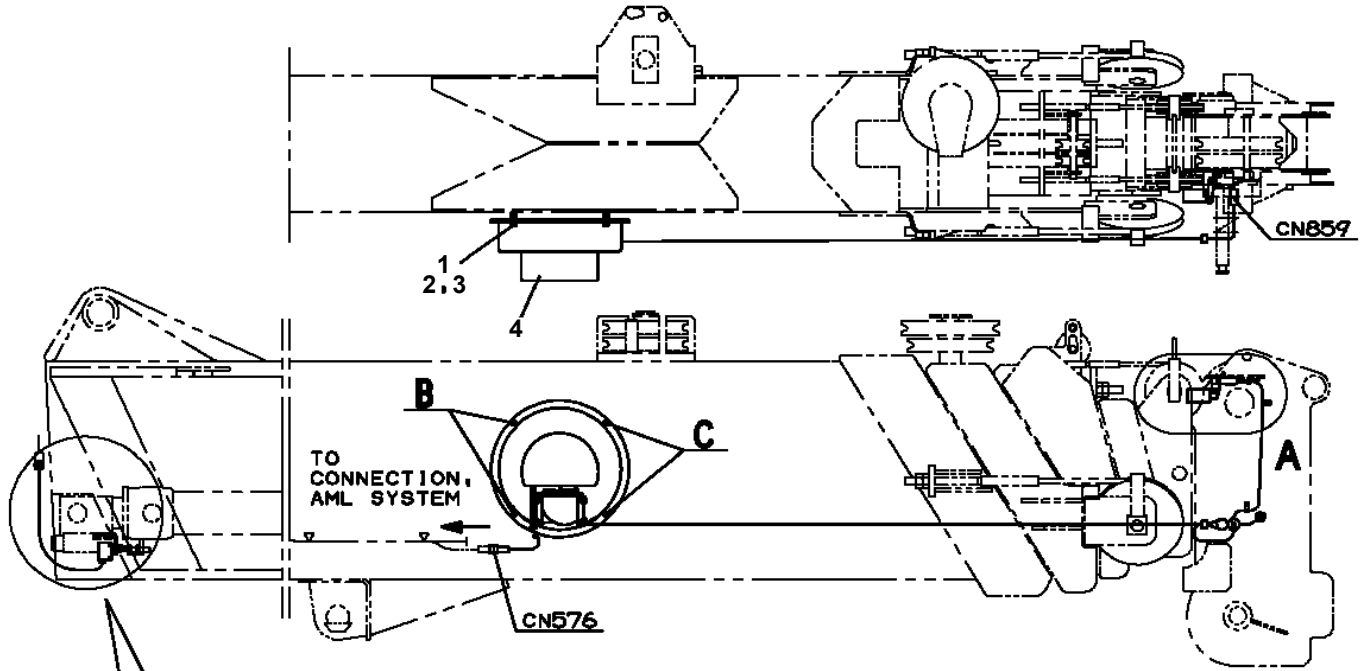
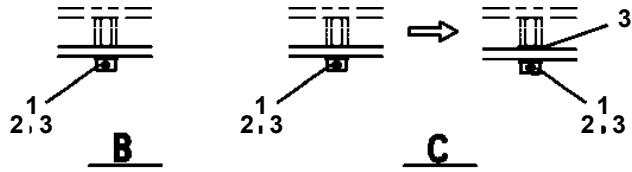
図中の左右の表示は、ブーム後端から先端を見たものです。
 THE RIGHT AND LEFT IN FIGURE ARE THE EXPRESSION THAT SEES FROM BOOM END TO TOP.

GR-120N-2-00213 6 BOOM + 2 JIB(PT),X,4.9TON

PG1040385-00 JIB



**GR-120N-2-00213 6 BOOM + 2 JIB(PT),X,4.9TON
PG1120159-04 DETECTOR SYSTEM,BOOM LENGTH**



~#FD1941
~#FK1187

#FD1942~
#FK1188~

A

GR-120N-2-00213 6 BOOM + 2 JIB(PT),X,4.9TON

Pos No.	Parts No	Parts Name	Qty	Unit	Technical Data	Serial No (Start)	Serial No
11	36193345010	BOARD ASSY (CON1,CON2)	1				
13	36193345030	CASE (WITH SEAT)	1				
41	36194245010	BOARD ASSY (WITH DATA CPU,DISP,LCD)	1				
61	36193345050	BATTERY (LITHIUM)	1				
	36193345060	BATTERY (LITHIUM)	1			FD3194	FD3193
100	36194240000	MOMENT LIMITER (AML-C)	1				

GR-120N-2-00213 6 BOOM + 2 JIB(PT),X,4.9TON

Pos No.	Parts No	Parts Name	Qty	Unit	Technical Data	Serial No (Start)	Serial No (End)	R
1	34353792100	HARNESS (SWING FRAME,RIGHT)	1					

GR-120N-2-00213 6 BOOM + 2 JIB(PT),X,4.9TON

Pos No.	Parts No	Parts Name	Qty	Unit	Technical Data	Serial No (Start)	Serial No
1	34931151300	HARNESS (FOR ELECTRONIC GOVERNOR)	1				
11	82181809985	RESISTANCE	2		120 OHM 0.5W		

GR-120N-2-00213 6 BOOM + 2 JIB(PT),X,4.9TON

Pos No.	Parts No	Parts Name	Qty	Unit	Technical Data	Serial No (Start)	Serial No (End)	Remarks	Pages
10	34363408020	HARNESS	1						

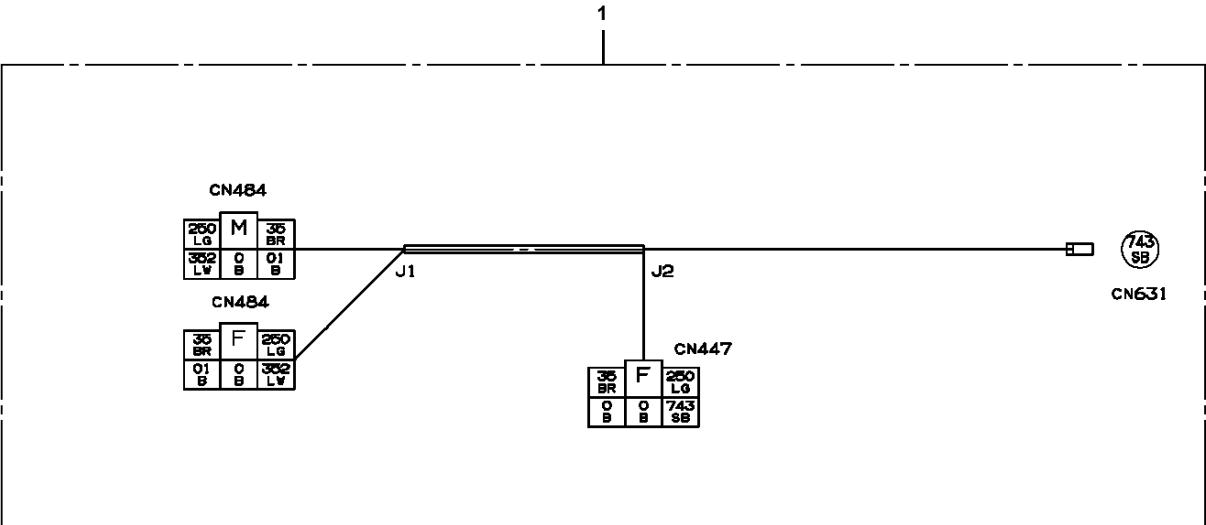
GR-120N-2-00213 6 BOOM + 2 JIB(PT),X,4.9TON

Pos No.	Parts No	Parts Name	Qty	Unit	Technical Data	Serial No (Start)	Serial No (End)	Remarks	Pages
100	34931151400	HARNESS	1						

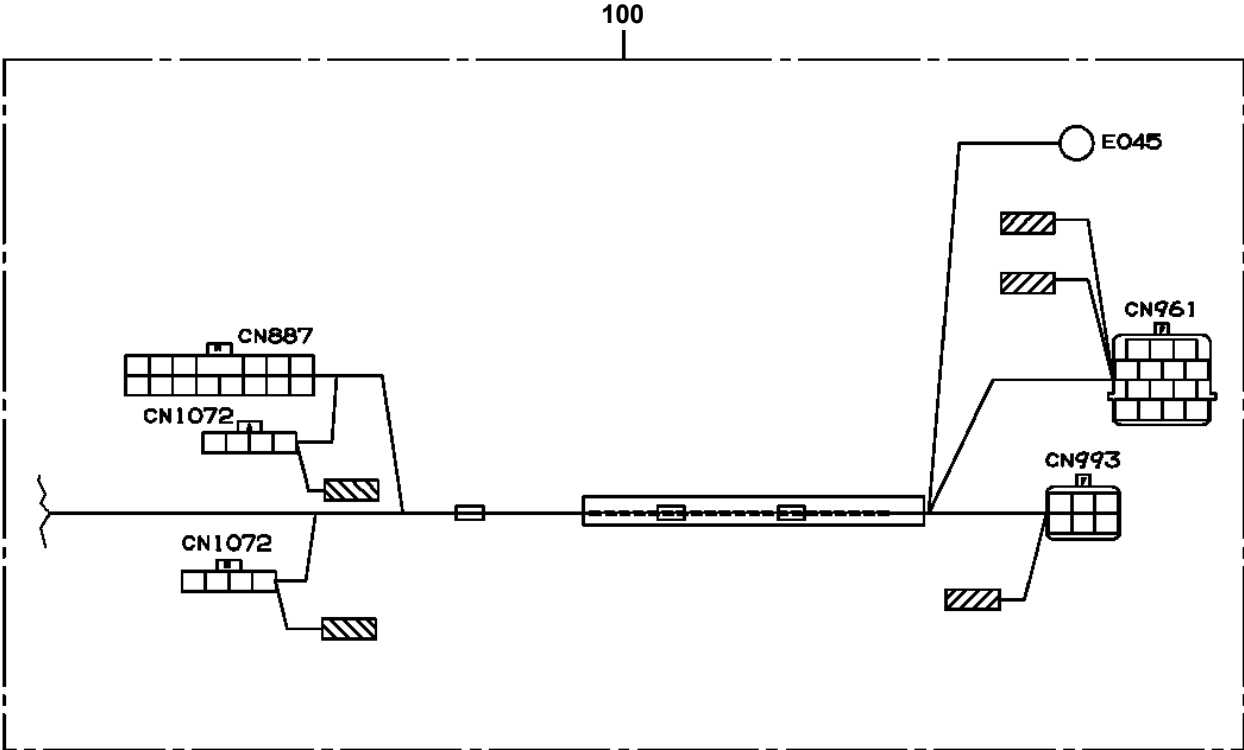
GR-120N-2-00213 6 BOOM + 2 JIB(PT),X,4.9TON

Pos No.	Parts No	Parts Name	Qty	Unit	Technical Data	Serial No (Start)	Serial No (End)	Remarks	Pages
100	34495180300	HARNESS	1						

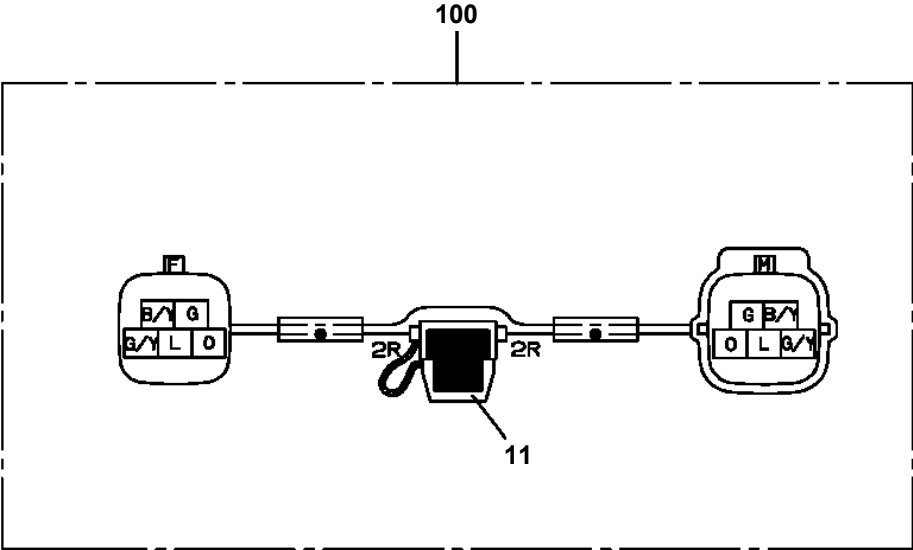
**GR-120N-2-00213 6 BOOM + 2 JIB(PT),X,4.9TON
PH5033235-00 HARNESS**



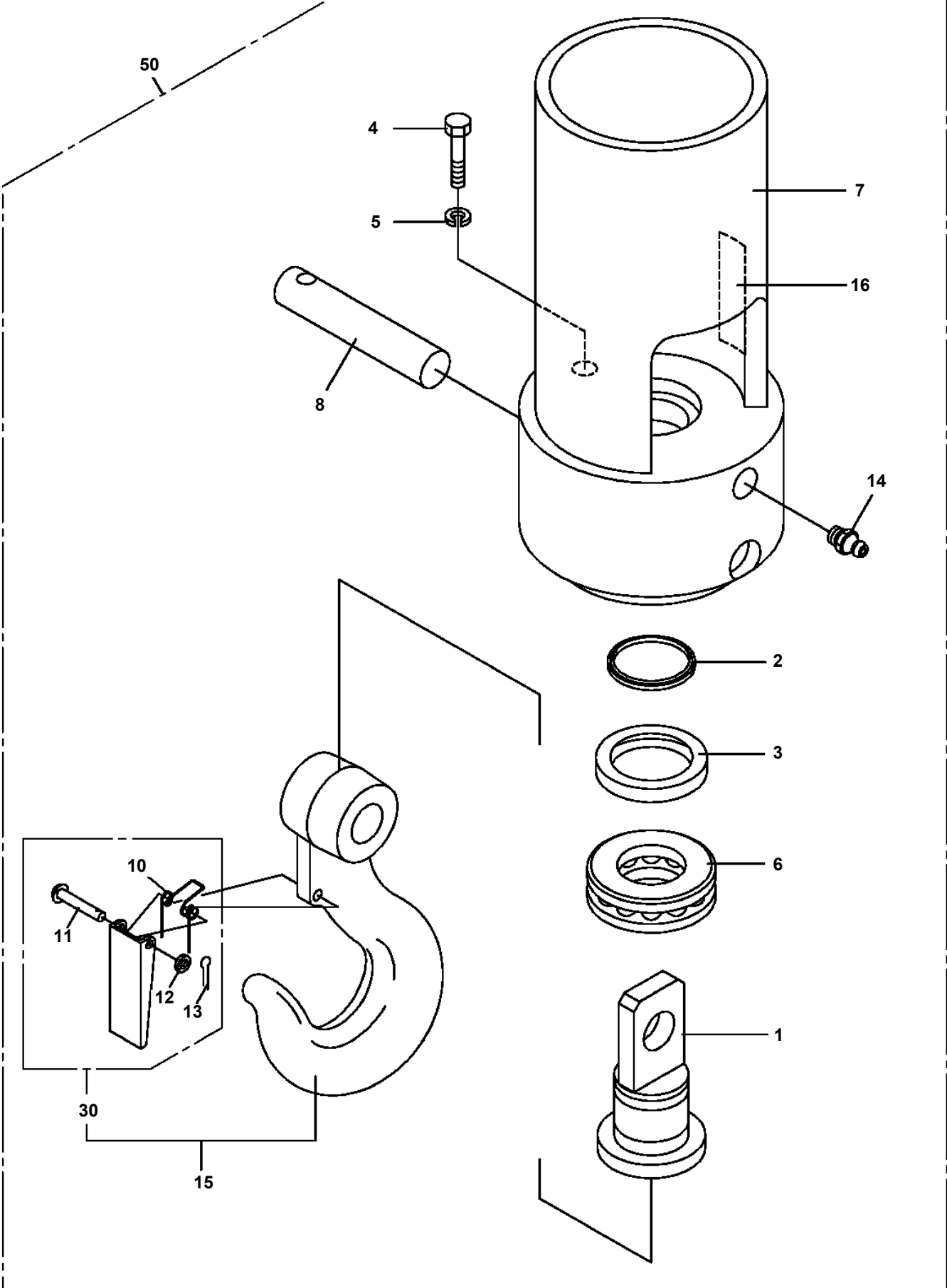
GR-120N-2-00213 6 BOOM + 2 JIB(PT),X,4.9TON
PH5033616-01 HARNESS



**GR-120N-2-00213 6 BOOM + 2 JIB(PT),X,4.9TON
PH5034360-00 HARNESS**



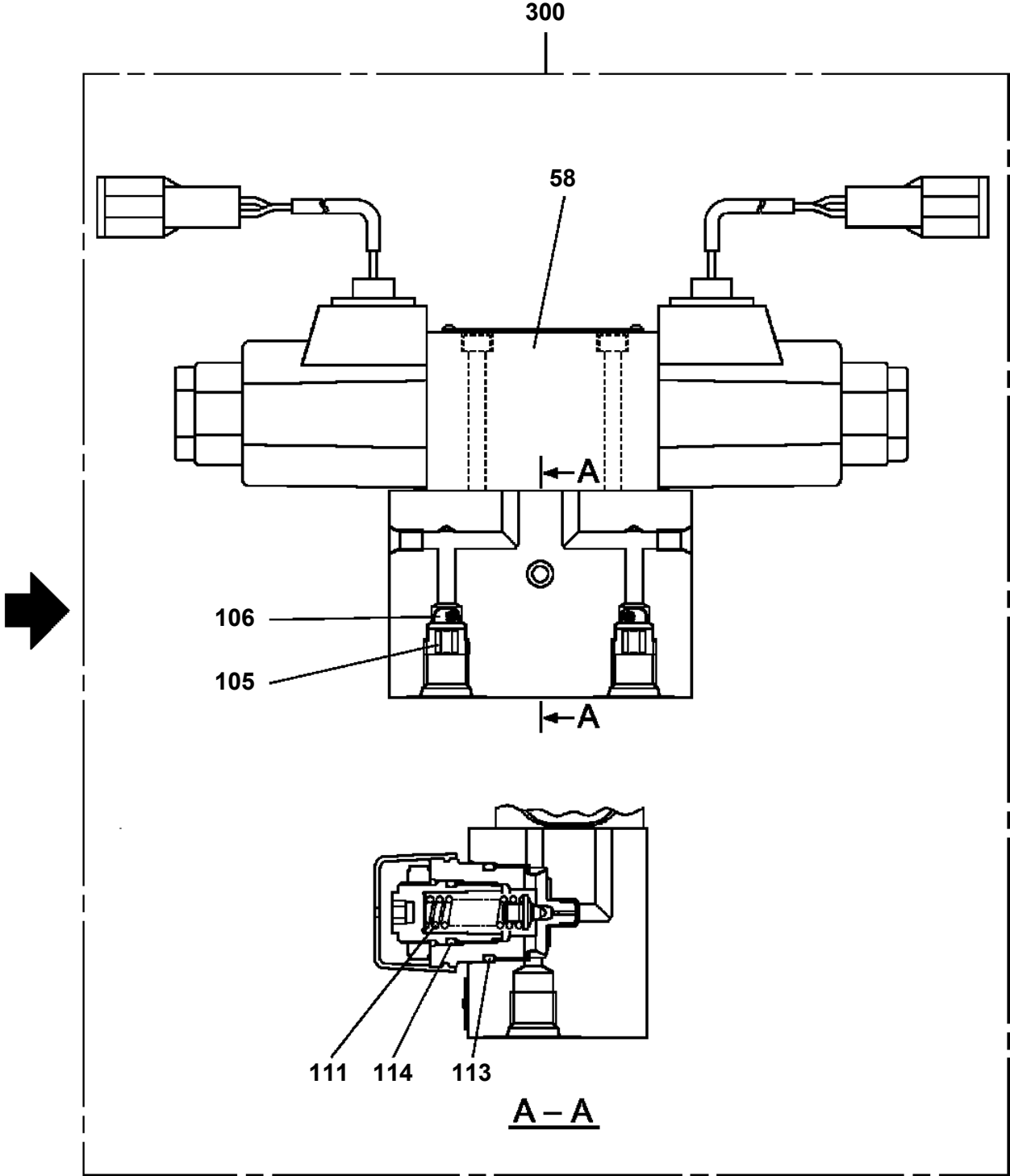
GR-120N-2-00213 6 BOOM + 2 JIB(PT),X,4.9TON
PH5080005-00 HOOK ASSY (AUX./1.8TON)



GR-120N-2-00213 6 BOOM + 2 JIB(PT),X,4.9TON

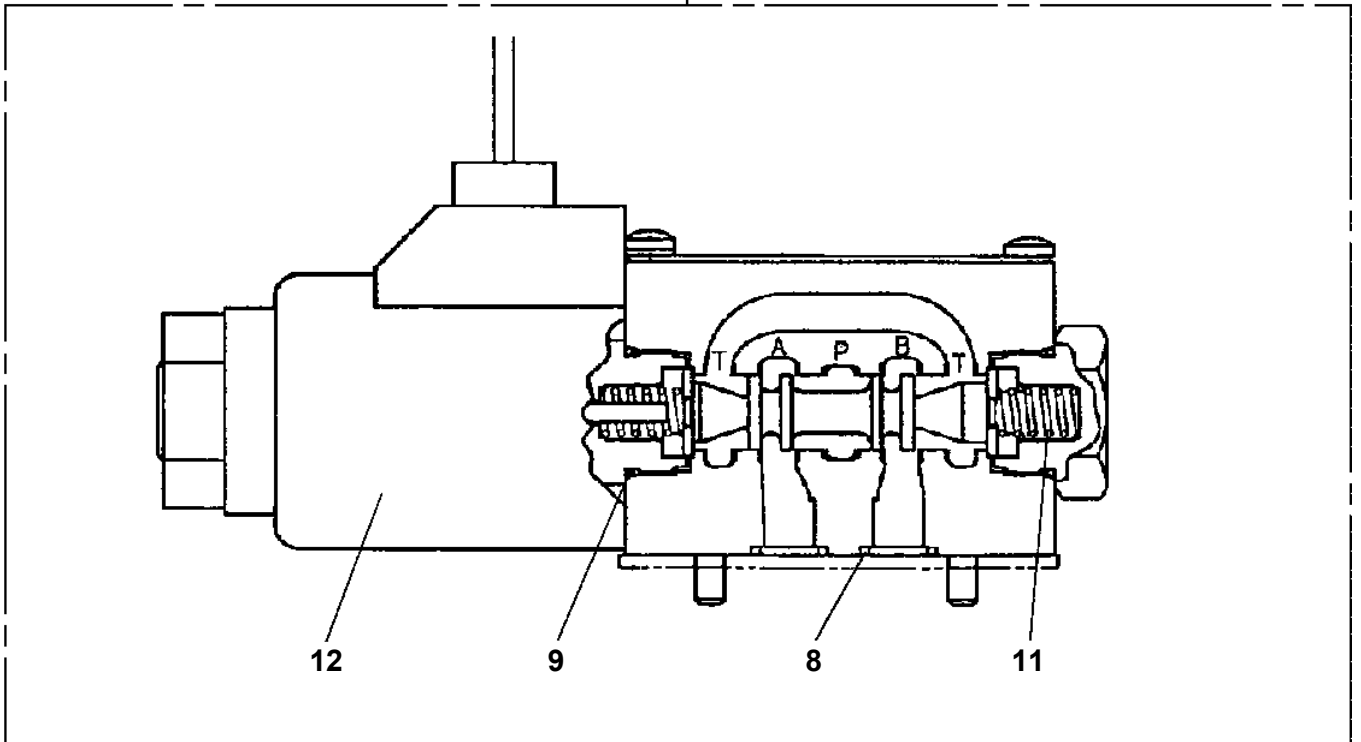
Pos No.	Parts No	Parts Name	Qty	Unit	Technical Data	Serial No (Start)	Serial No (End)	Remarks	Page
51	36663445050	SEAL KIT	1						
100	36663440003	MOTOR,HYDRAULIC	1						

GR-120N-2-00213 6 BOOM + 2 JIB(PT),X,4.9TON
PI1120161-02 VALVE,SOLENOID

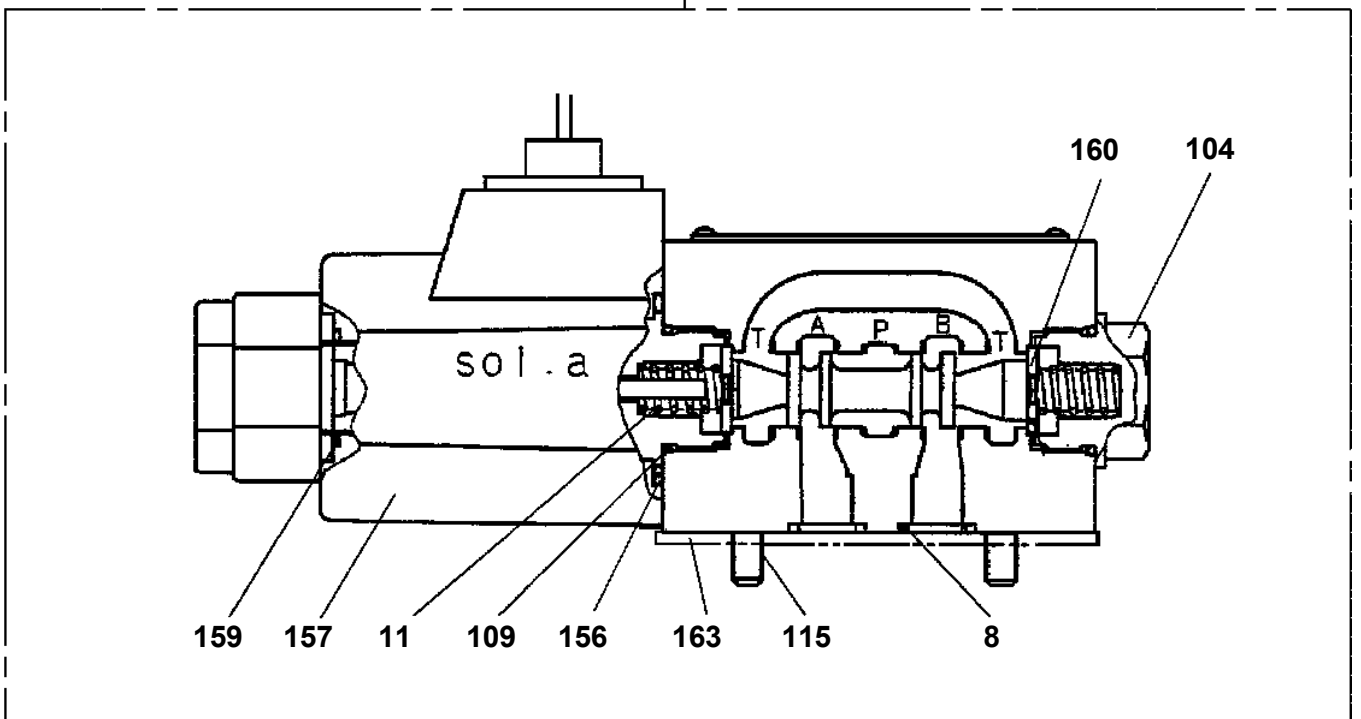


GR-120N-2-00213 6 BOOM + 2 JIB(PT),X,4.9TON
PI1120265-01 VALVE,SOLENOID

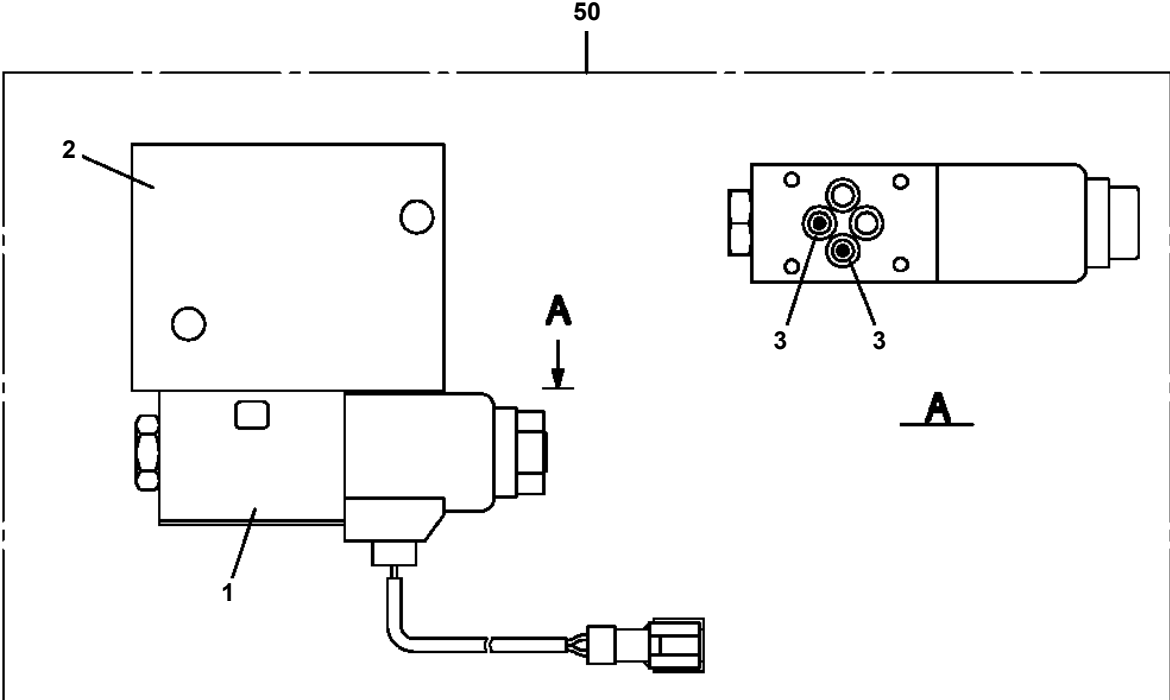
200



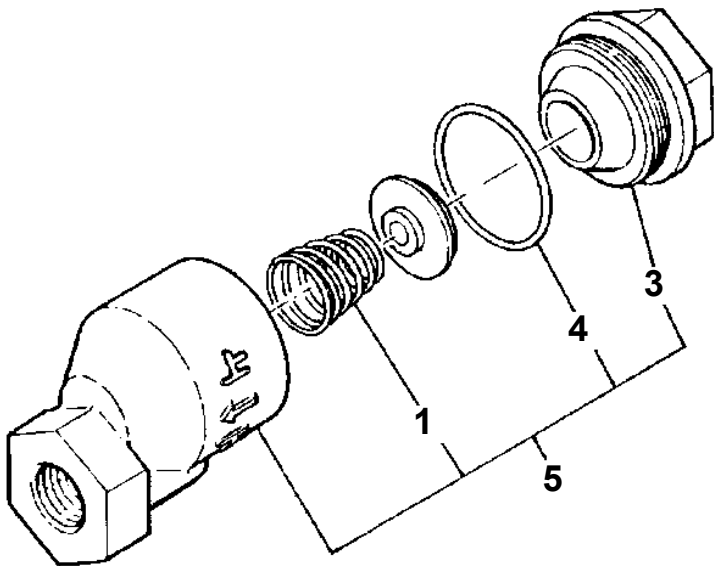
200



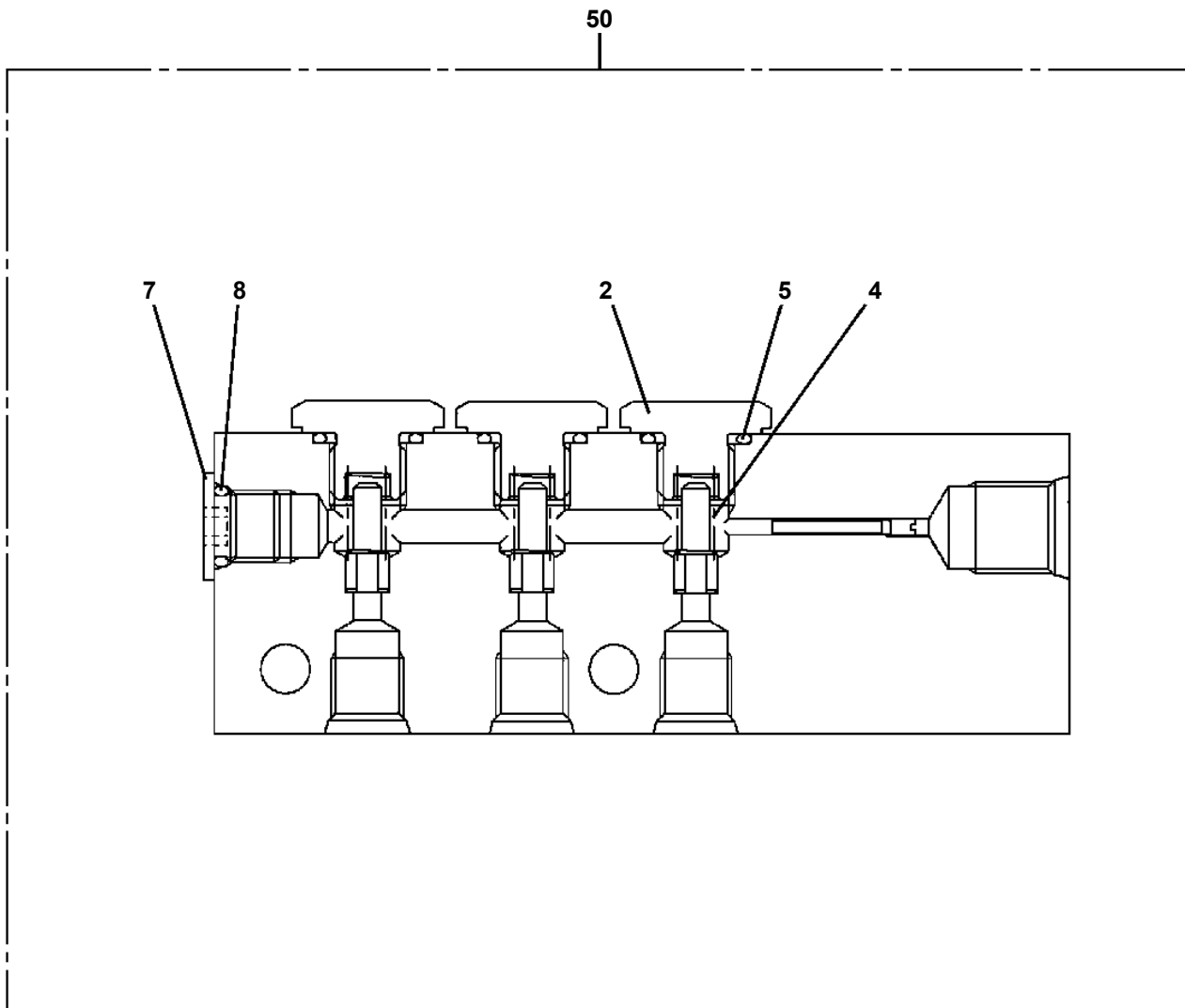
**GR-120N-2-00213 6 BOOM + 2 JIB(PT),X,4.9TON
PI1120350-00 VALVE,SOLENOID**



GR-120N-2-00213 6 BOOM + 2 JIB(PT),X,4.9TON
PI1140040-00 VALVE,CHECK

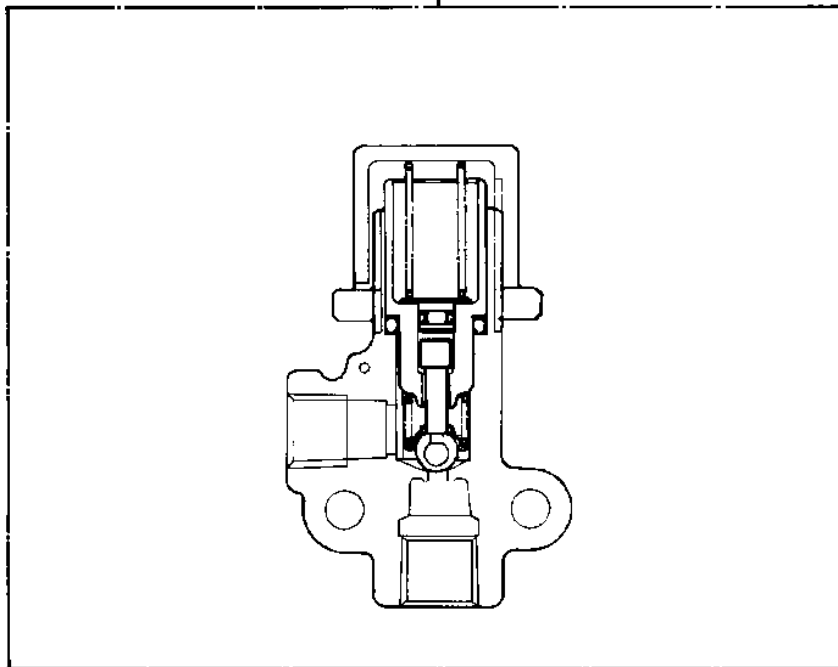


GR-120N-2-00213 6 BOOM + 2 JIB(PT),X,4.9TON
PI1140161-03 VALVE,CHECK



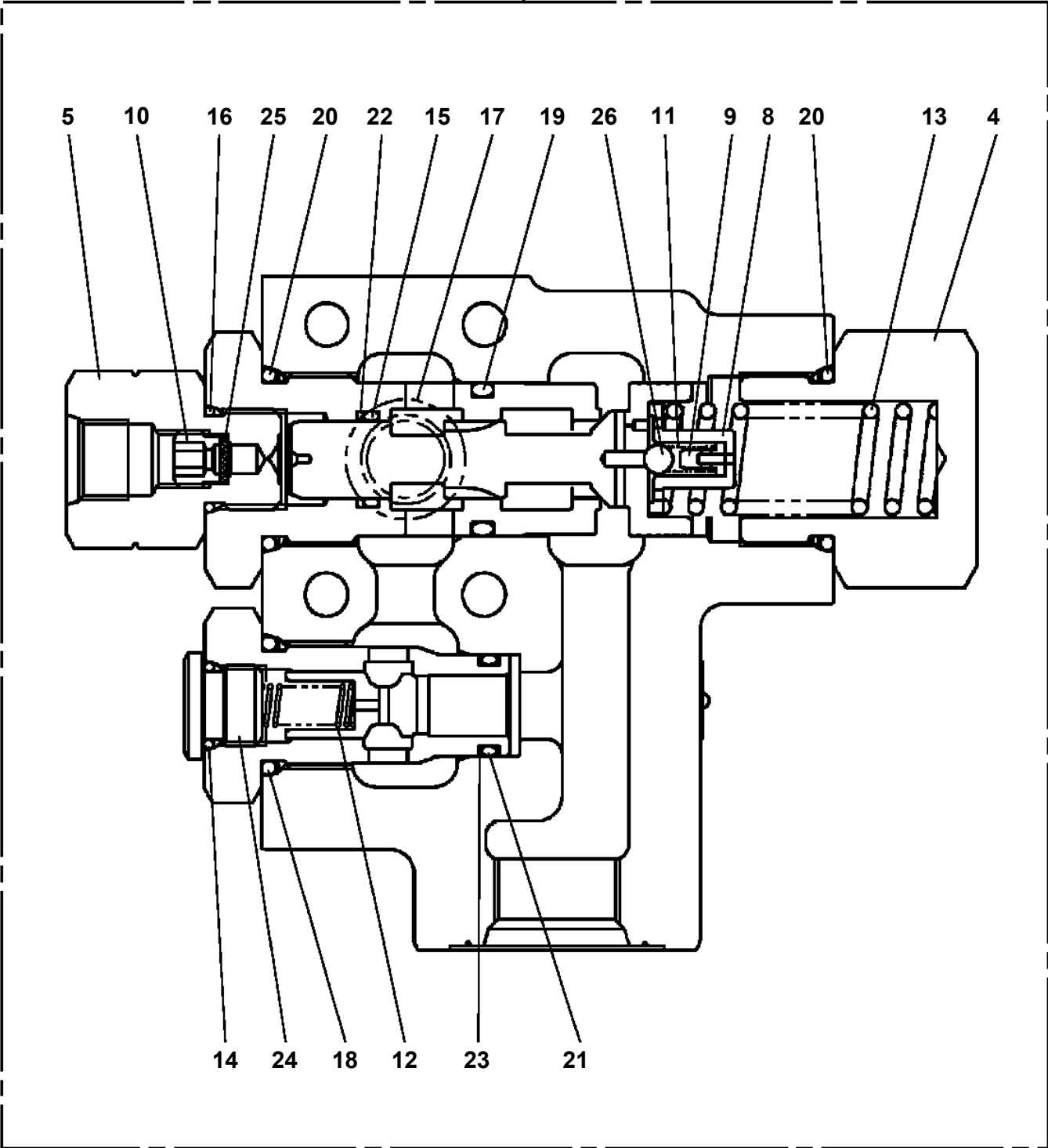
**GR-120N-2-00213 6 BOOM + 2 JIB(PT),X,4.9TON
PI1210000-01 VALVE,PRESSURE PROTECTION**

10



GR-120N-2-00213 6 BOOM + 2 JIB(PT),X,4.9TON
PI1250159-00 VALVE,COUNTERBALANCE

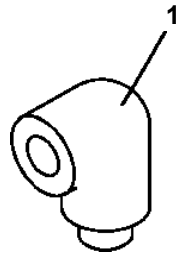
100



GR-120N-2-00213 6 BOOM + 2 JIB(PT),X,4.9TON

Pos No.	Parts No	Parts Name	Qty	Unit	Technical Data	Serial No (Start)	Serial No (End)	Remarks	Pages
1	36673415020	INDICATOR ASSY	1						
2	36673415030	BODY ASSY	1						
3	91410108000	RING,BACKUP	1		T3 G80				
4	91002908000	O-RING	1		1B G80				
5	91001103200	O-RING	1		1A P32				
6	36673415050	SPRING	1						
7	36673415070	COVER (LOWER)	1						
8	91002801100	O-RING	1		1B P11				
9	36673415060	PLUG	1						
21	36673415080	ELEMENT KIT	1						
100	36673410000	FILTER,OIL	1						

**GR-120N-2-00213 6 BOOM + 2 JIB(PT),X,4.9TON
PJ5080003-00 JOINT (FOR GREASE SUPPLY HOSE)**

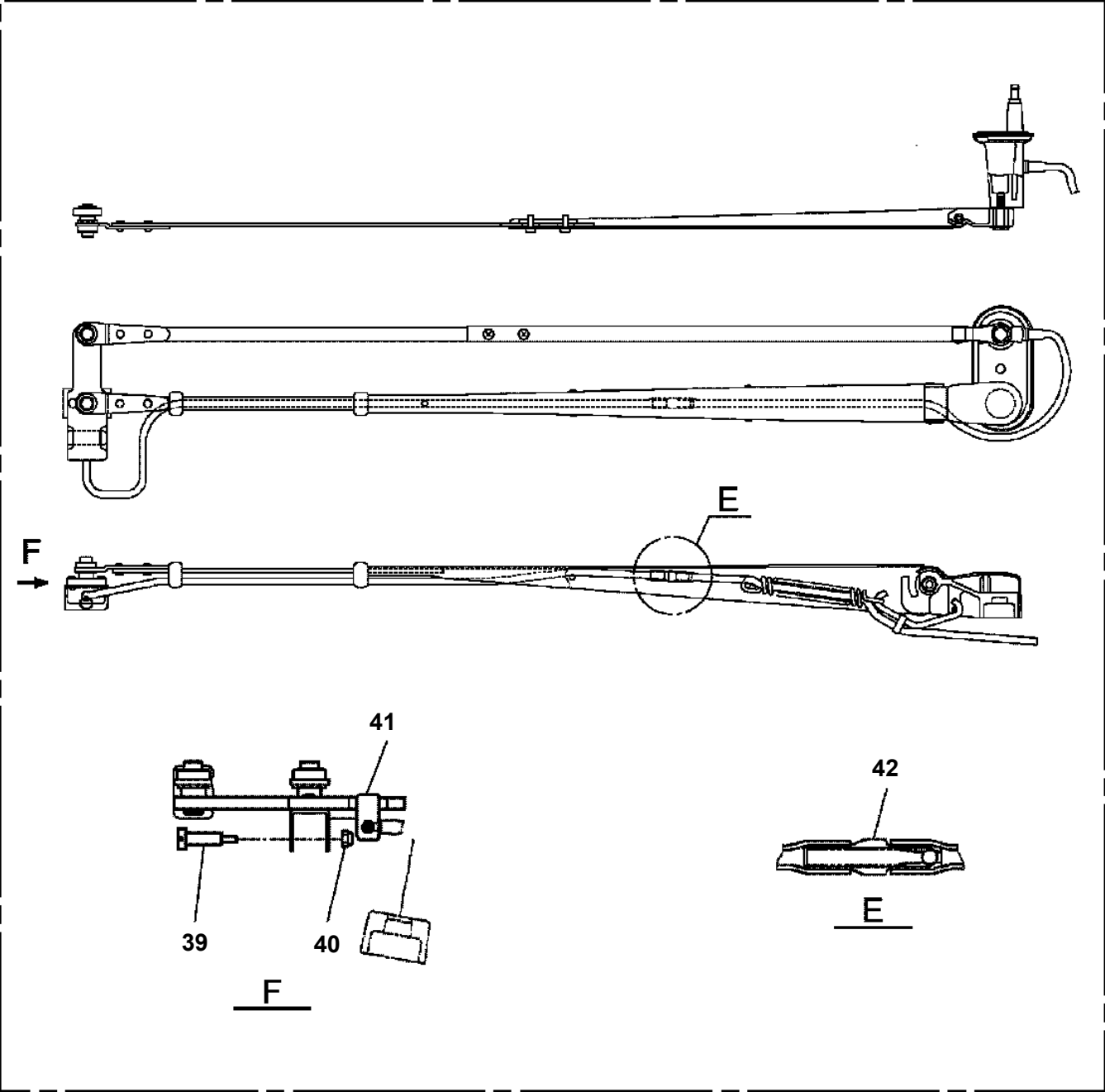


GR-120N-2-00213 6 BOOM + 2 JIB(PT),X,4.9TON

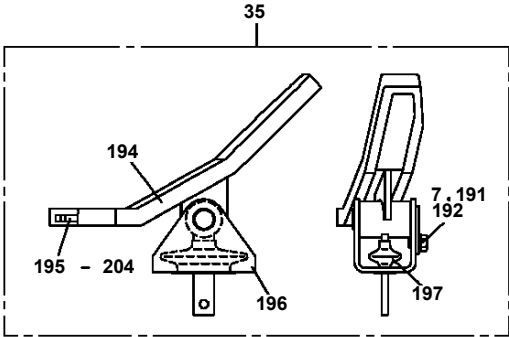
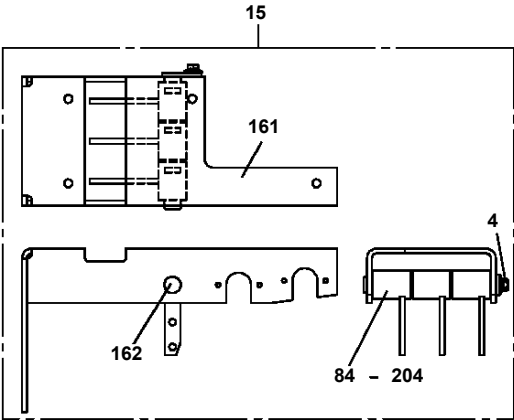
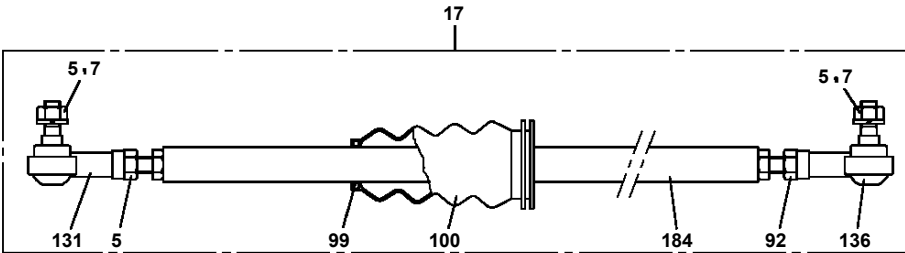
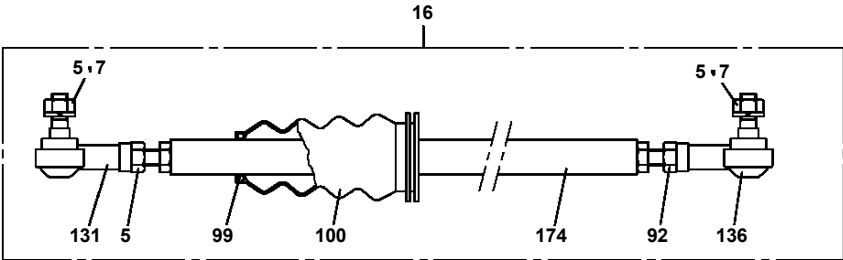
Pos No.	Parts No	Parts Name	Qty	Unit	Technical Data	Serial No (Start)	Serial No (End)
1	82100000957	GROMMET	3		SG-38A		
2	34251640100	PANEL	1				
4	80176405012	SCREW,MACHINE	42		M5X12		
5	90305260501	WASHER	45		B1-5		
6	34251645000	LEVEL ASSY	1				
7	34250881400	COVER	1				
8	34251641200	PANEL	1				FD2020
	34251890300	PANEL	1			FD2021	
9	34251641400	COVER	1				
10	34251641000	SUPPORT	1				
11	34251641500	COVER	1				
12	80186406016	SCREW,MACHINE	20		M6X16		
13	90305260601	WASHER	20		B1-6		
14	34251221000	COVER	1				
15	34251201300	COVER	1				
16	34250360200	BELT	1				FD2140
	34251650200	BELT	1			FD2141	
17	90101210022	BOLT	7		M10X22		
18	90302041001	WASHER,SPRING	11		10		
19	34251660100	PANEL	1				
20	34251640500	PANEL	1				
21	82121800010	PLUG (OTUKA)	1				
22	34251640400	COVER	1				
23	99172108020	BOLT,TAPPING	4		M8X20		
24	34250882500	SUPPORT	1				
25	90303071001	WASHER,PLAIN	4		10		
26	99172106012	BOLT,TAPPING	5		M6X12		
27	34250882400	SUPPORT	1				
28	80192486014	SCREW,MACHINE (WITH WASHER)	7		M6X14		
29	34250380200	SUPPORT	1				
30	90201201000	NUT	1		M10		
31	34251442000	SEAT,OPERATOR	1				
32	34251660200	PANEL	1				
33	34250881601	COVER	1				
34	34251640300	SUPPORT	1				
35	34251200900	COVER	1				
36	34251200700	PANEL	1				
37	82400000468	TRAY,ASH	1				
38	80176405025	SCREW,MACHINE	3		M5X25		
39	37001200180	SPRING	3				
40	90303070801	WASHER,PLAIN	10		8		
41	80192484012	SCREW,MACHINE (WITH WASHER)	1		M4X12		
42	80192485014	SCREW,MACHINE (WITH WASHER)	2		M5X14		
43	34251221400	COVER	1				
44	99191208020	BOLT,TAPPING	4		M8X20		
45	90302040801	WASHER,SPRING	4		8		
46	34251440400	SUPPORT	1				
47	90101210014	BOLT	4		M10X14		
48	90101210020	BOLT	4		M10X20		
49	34251641600	COVER	1				
61	34251291150	PANEL	1				
62	34251221601	HINGE	2				
63	80172804008	SCREW,MACHINE	4		M4X8		
64	34251201400	COVER	1				
65	90302510401	WASHER,SPRING	4		4		
67	80172803010	SCREW,MACHINE	4		M3X10		
68	90303520301	WASHER,PLAIN	4		3		
69	90302510301	WASHER,SPRING (SUS 3)	4				
86	90201500300	NUT	4		M3		
94	34251291200	PLATE,NAME	1			FD2105	

GR-120N-2-00213 6 BOOM + 2 JIB(PT),X,4.9TON
PK1140274-00 CAB,OPERATOR (ARM ASS,WIPER)

100



**GR-120N-2-00213 6 BOOM + 2 JIB(PT),X,4.9TON
PL1010886-07 OPE.ASSY,CONT.VALVE (TDN)**



GR-120N-2-00213 6 BOOM + 2 JIB(PT),X,4.9TON

Pos No.	Parts No	Parts Name	Qty	Unit	Technical Data	Serial No (Start)	Serial No (End)	Remarks	Pages
1	37002223930	PLATE,NAME	1						
2	80136320016	PIN,SPLIT	2		2X16				
3	34321962200	LEVER	1						
11	34321961500	ROD ASSY	1						
12	34321961400	ROD ASSY	1						
13	34321296800	ROD	1						
14	37000105730	PIN	1						
15	90303070801	WASHER,PLAIN	1		8				
31	80565000081	END	2						
32	90201200800	NUT	6		M8				
33	90302040801	WASHER,SPRING	4		8				
34	34321296110	ROD	1						
35	90291200800	NUT	2		M8				
36	80565000082	END	2						
37	82400000333	RING	2						
38	34321966700	BOOT	2						
44	34321296210	ROD	1						

CLICK HERE TO **DOWNLOAD** THE COMPLETE MANUAL

- Thank you very much for reading the preview of the manual.
- You can download the complete manual from: www.heydownloads.com by clicking the link below



- Please note: If there is no response to CLICKING the link, please download this PDF first and then click on it.

CLICK HERE TO **DOWNLOAD** THE COMPLETE MANUAL

GR-120N-2-00213 6 BOOM + 2 JIB(PT),X,4.9TON

Pos No.	Parts No	Parts Name	Qty	Unit	Technical Data	Serial No (Start)	Serial No (End)	Remarks
3	36637755010	PLATE	1					
10	36646965020	PLUG	4				FD2000	
	36646965020	PLUG	2			FD2001	FD3964	
	36637755130	PLUG	2			FD3965		
11	91002801100	O-RING	4		1B P11		FD2000	
	91002801100	O-RING	2		1B P11	FD2001		
12	91002801000	O-RING	2		1B P10			
13	91002800800	O-RING	2		1B P8			
15	90131508070	BOLT,HEXAGON SOCKET	2		M8X70		FD3964	
	36638775150	BOLT,HEXAGON SOCKET	2		M8X70	FD3965		
16	36638065010	NUT	2				FD3964	
	36637755160	NUT	2			FD3965		
20	36637755080	NUT,LOCK	2					
21	36637755040	LEVER	2				FD3964	
	36638855010	LEVER	2			FD3965		
27	36637755050	BLOCK	2					
30	36637755090	BOLT,HEXAGON SOCKET	4					
31	36637755070	BELLOWS	2					
100	36638060000	VALVE,CONTROL	1					

GR-120N-2-00213 6 BOOM + 2 JIB(PT),X,4.9TON

Pos No.	Parts No	Parts Name	Qty	Unit	Technical Data	Serial No (Start)	Serial No (End)	Rem
1	90172105014	BOLT,HEXAGON SOCKET	4		M5X14			
2	90302040501	WASHER,SPRING	4		5			
3	34321291700	GEAR	2					
4	34321965100	SUPPORT ASSY	1					
5	34321292200	LEVER ASSY	1					
6	34321292100	LEVER ASSY	1					
7	37000118050	PIN	1					
8	90101208012	BOLT	1		M8X12			
9	90302040801	WASHER,SPRING	1		8			
10	34321291540	LEVER (WELDED STRUCTURE)	2					
	34321291550	LEVER (FORGING)	2					
11	37000515590	PLATE	2		T=0.5			
12	37000515600	PLATE	1		T=1.0			
41	34321965200	SUPPORT	1					
42	34321292700	STOPPER	2					
43	80613110040	RING,RETAINING	2					
44	82430505010	SPRING (PLUNGER)	2					
51	34320904501	KNOB (BLACK)	1					
52	34321291110	ROD	2					
53	90710006060	SCREW,SET	2		M6X6			
54	37001601520	NUT	2		M12			
55	32320110250	NUT (BLACK)	2					
56	33320001450	SLEEVE	2					
57	34321291121	GEAR	2					
58	90172106012	BOLT,HEXAGON SOCKET	4		M6X12			
59	90302040601	WASHER,SPRING	4		6			
60	34321291200	ROD	2					
61	37001201110	SPRING	2					
62	37000515600	PLATE	2		T=1.0			
63	34321291300	BOSS	2					
64	80601110200	RING,RITAINING	2		S20			
65	82101700412	SWITCH,PUSH	2					
66	82100001425	CABLE	2	M				
67	82114101020	CONNECTOR (2P,MALE)	2					
68	82111101010	TERMINAL	4					
69	82121102020	HOLDER	2					
70	82121101085	PLUG (AVS0.85)	4					
81	34320904201	KNOB (RED)	1					
113	80801003020	BEARING,PLAIN	4					
123	80801002015	BEARING,PLAIN	8					

GR-120N-2-00213 6 BOOM + 2 JIB(PT),X,4.9TON PL5260168-00 LOAD CHART BOOKLET

5

GR-120N, GR-120NL 荷重表

GR-120N, GR-120NL 荷重表 (A17-4.9ton用)

343-973-22230

GR-120N, GR-120NL 荷重表

343-973-22230

6

GR-120N, GR-120NL 荷重表

343-973-22240

7

クレーン取組手順書

I. 取組前準備

II. 取組作業

III. 取組完了後

343-973-22250

クレーン取組手順書

V. 取組完了後

VI. 取組作業

VII. 取組完了後

343-973-22250

8

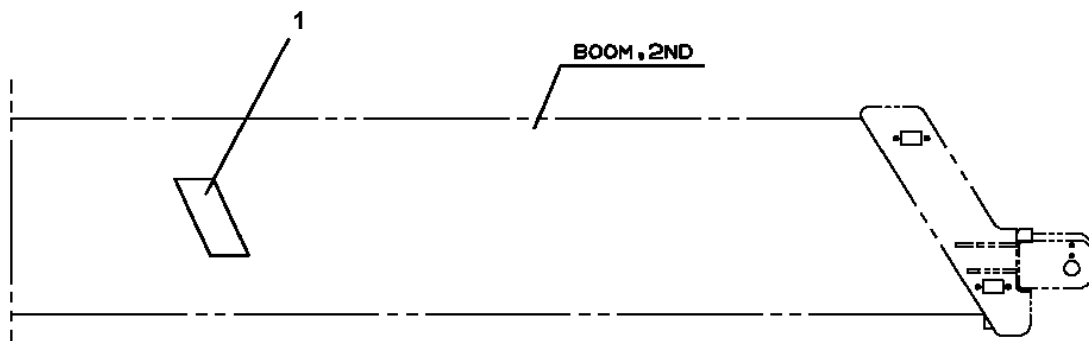
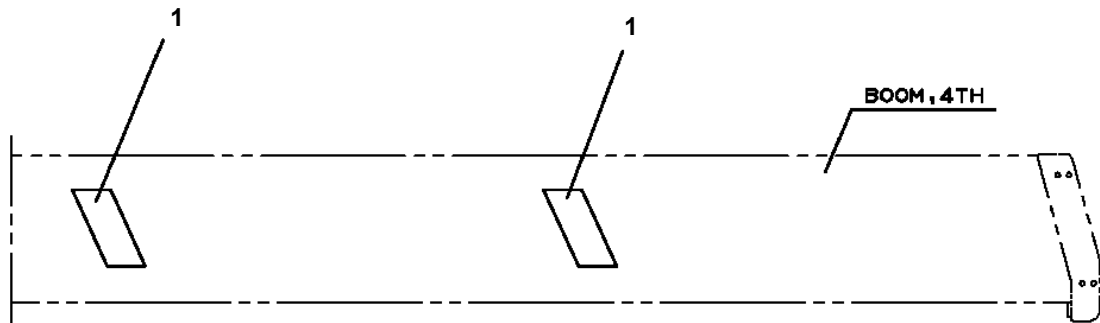
クレーン取組手順書

クレーン取組手順書

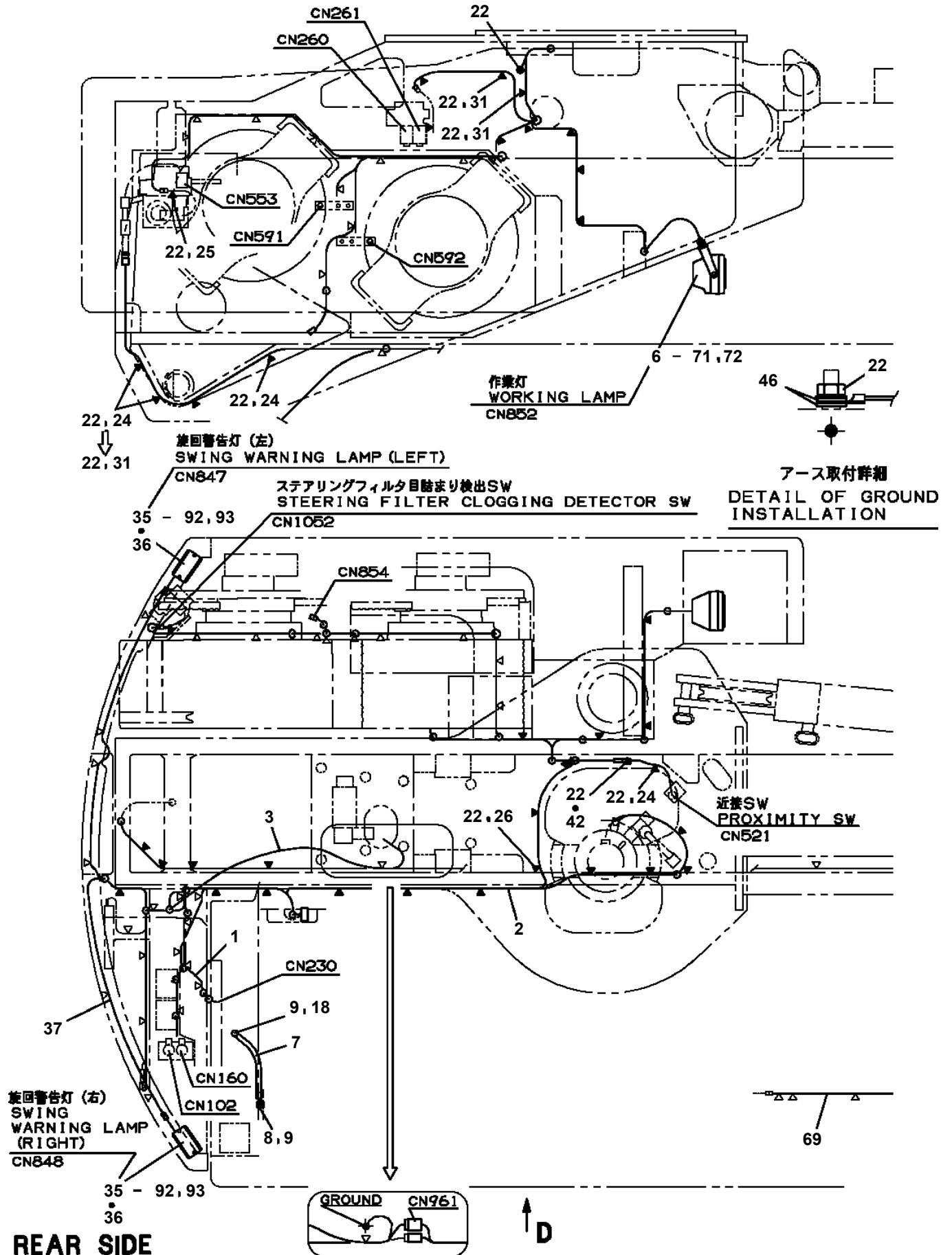
クレーン取組手順書

343-971-42290

**GR-120N-2-00213 6 BOOM + 2 JIB(PT),X,4.9TON
PM5020002-00 MARKING (BOOM)**



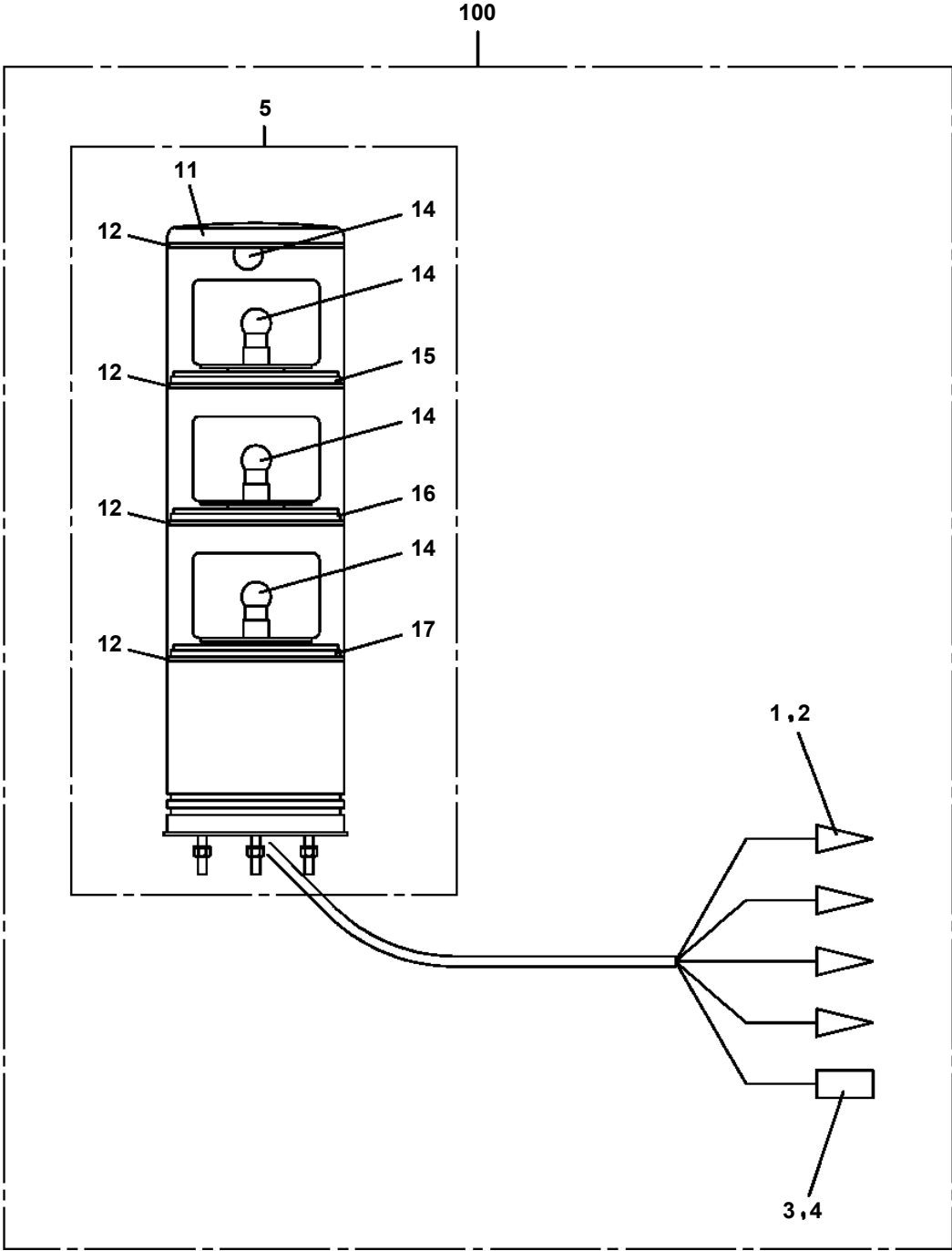
GR-120N-2-00213 6 BOOM + 2 JIB(PT),X,4.9TON
 PN1014789-05 ELEC.ASSY (SWING FRAME,BOOM)



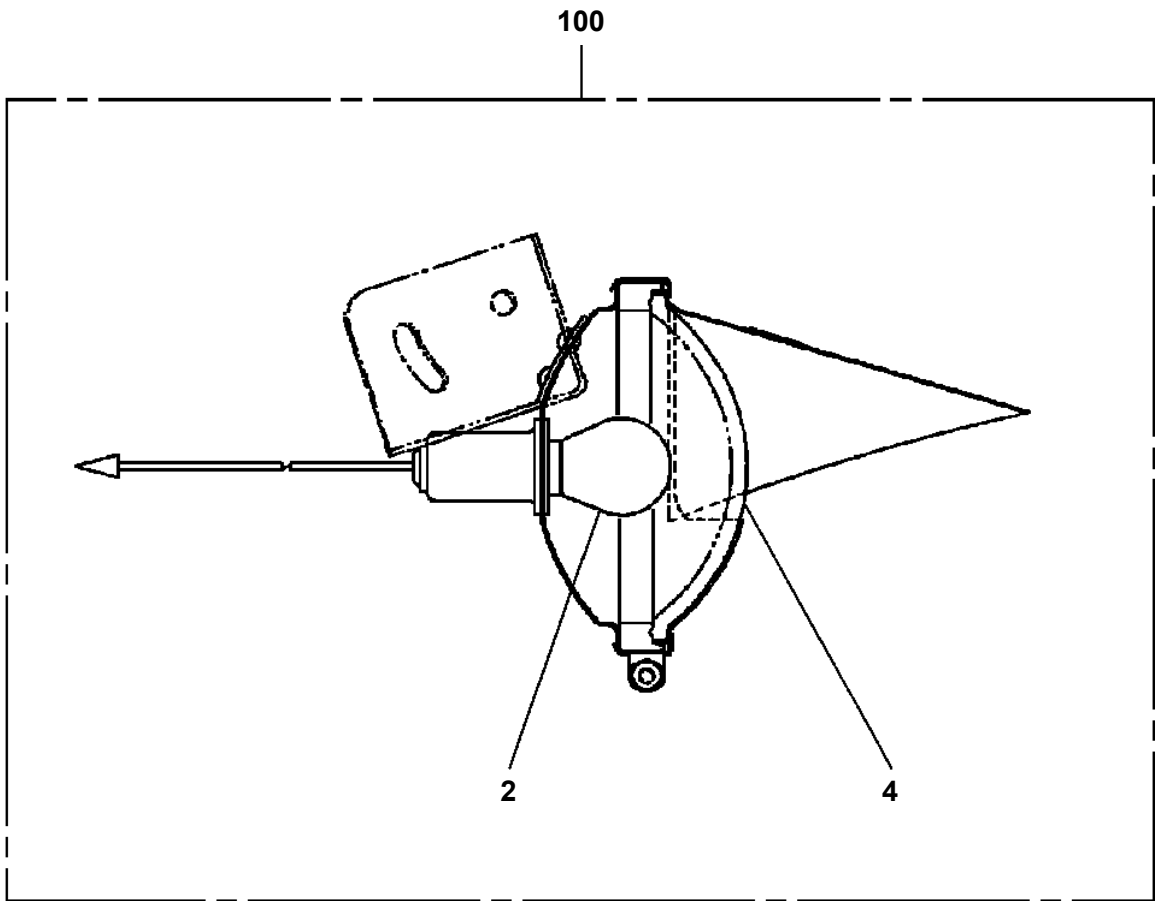
GR-120N-2-00213 6 BOOM + 2 JIB(PT),X,4.9TON

Pos No.	Parts No	Parts Name	Qty	Unit	Technical Data	Serial No (Start)	Serial M
81	90186208030	BOLT,FLANGE	1		M8X30		
101	34930973100	LAMP (CASE,R)	1				
102	34930973200	HARNESS	2				
104	82166300100	BULB,LAMP	3		24V 10W		
105	91810130250	FASTENER	6				
111	33650080600	LAMP ASSY,LICENSE (ASSY ONLY)	1				
112	34931041411	HARNESS	1				
113	91810130240	FASTENER	2				
121	34930577510	LAMP ASSY (NO.1)	2		24V 70W		
122	34930577520	LAMP ASSY (NO.2)	2		24V 75/70W		
133	34930397590	BOLT SET	4				
134	34930397580	RING,RETAINING	4				
161	34460747120	BULB,LAMP	2		24V 70W		
171	34460747110	BULB,LAMP	2		24V 70/75W		
181	36361422050	SENSOR (WATER LEVEL)	1				
182	36361422060	O-RING	1				
201	34930974100	LAMP (CASE,L)	1				
213	82166300210	BULB,LAMP (KOITO)	8		24V 21W		
231	34930707520	LENS	1				
241	34930707530	LENS	1				
251	82100002596	RELAY	1				FD2005

GR-120N-2-00213 6 BOOM + 2 JIB(PT),X,4.9TON
PN1080161-03 LAMP



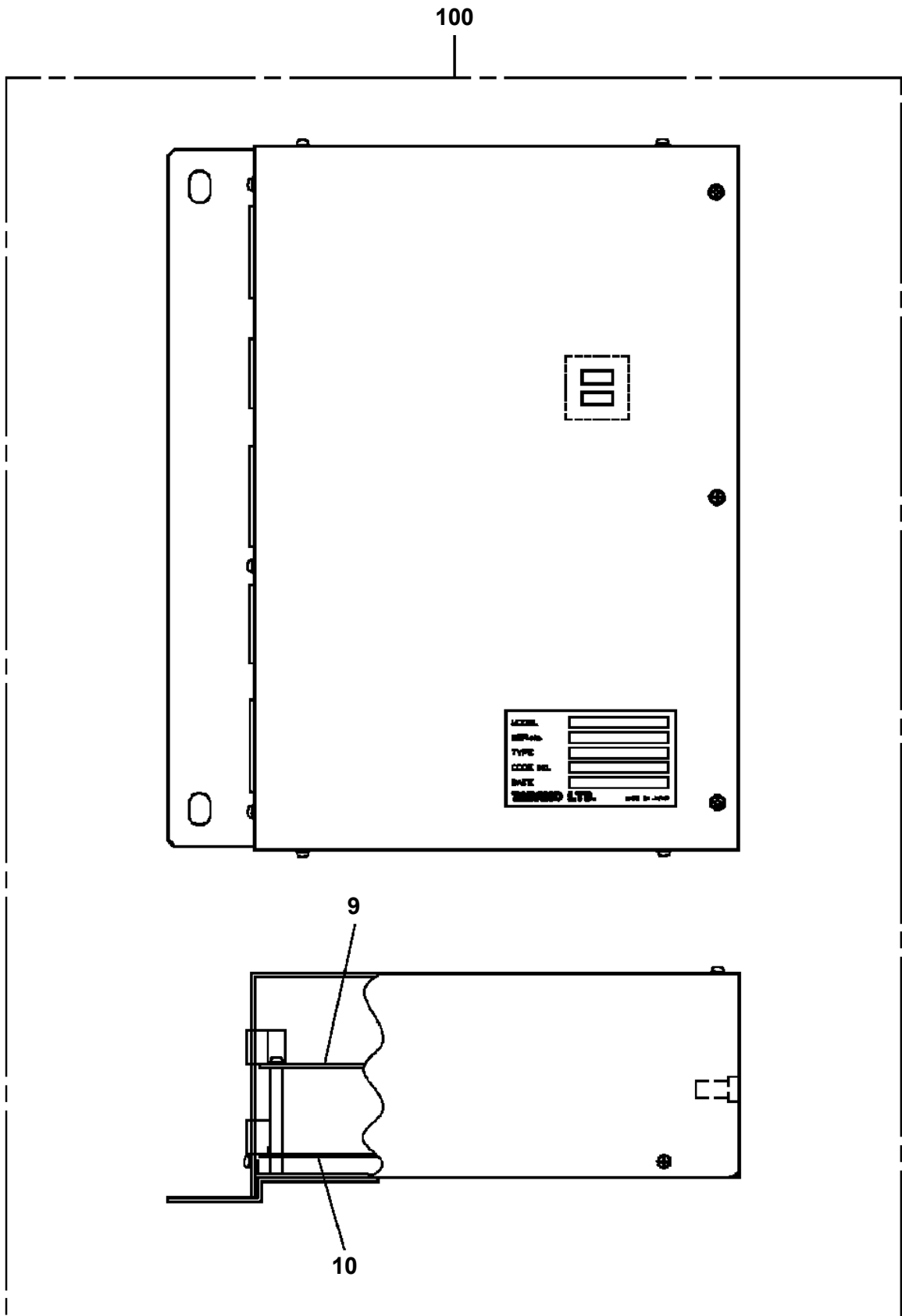
GR-120N-2-00213 6 BOOM + 2 JIB(PT),X,4.9TON
PN1080437-00 LAMP (WAY SIDE LAMP)



GR-120N-2-00213 6 BOOM + 2 JIB(PT),X,4.9TON

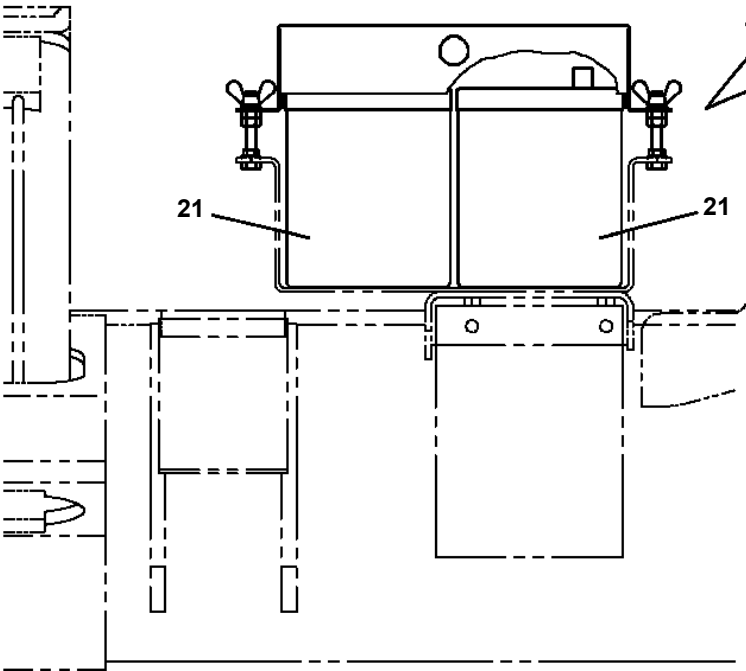
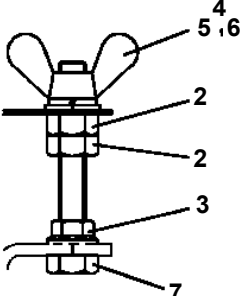
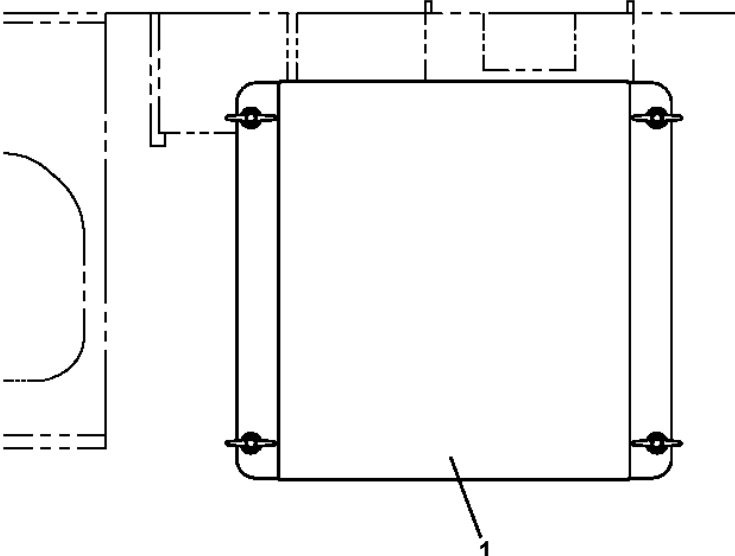
Pos No.	Parts No	Parts Name	Qty	Unit	Technical Data	Serial No (Start)	Serial No (End)	Remarks
1	34350032400	PLATE	1					
2	82100001200	DIODE	2					
3	82100001404	TERMINAL	4					
4	82100001219	INSULATOR	4					
5	82100001989	TERMINAL	1					
6	80192483016	SCREW,MACHINE	2		M3X16			
9	34931152210	SUPPORT	1					
10	82100002596	RELAY	2					
11	80192486012	SCREW,MACHINE	4		M6X12			
12	34930400200	RELAY (FOR HEAD LAMP)	1					
16	82400000201	GROMMET	1		KG-016			
18	82114214061	CONNECTOR (CAP)	1					
19	82111207051	TERMINAL (MAIL)	4					
100	34931152200	RELAY ASSY	1					

GR-120N-2-00213 6 BOOM + 2 JIB(PT),X,4.9TON
PN1200042-00 TRANSMITTER,MULTI.DATA (LOWER)



GR-120N-2-00213 6 BOOM + 2 JIB(PT),X,4.9TON
PN1370162-00 BATTERY (MOUNT)

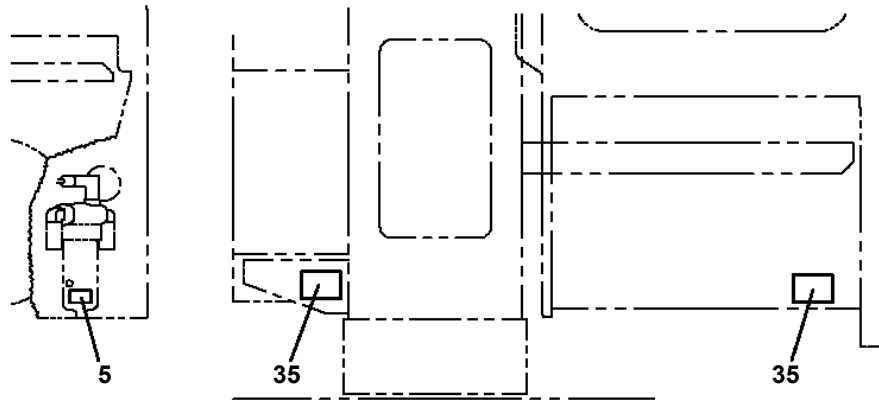
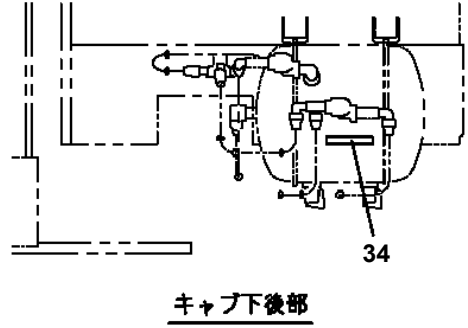
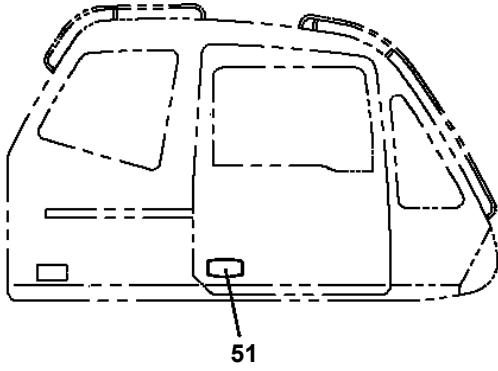
→ FRONT



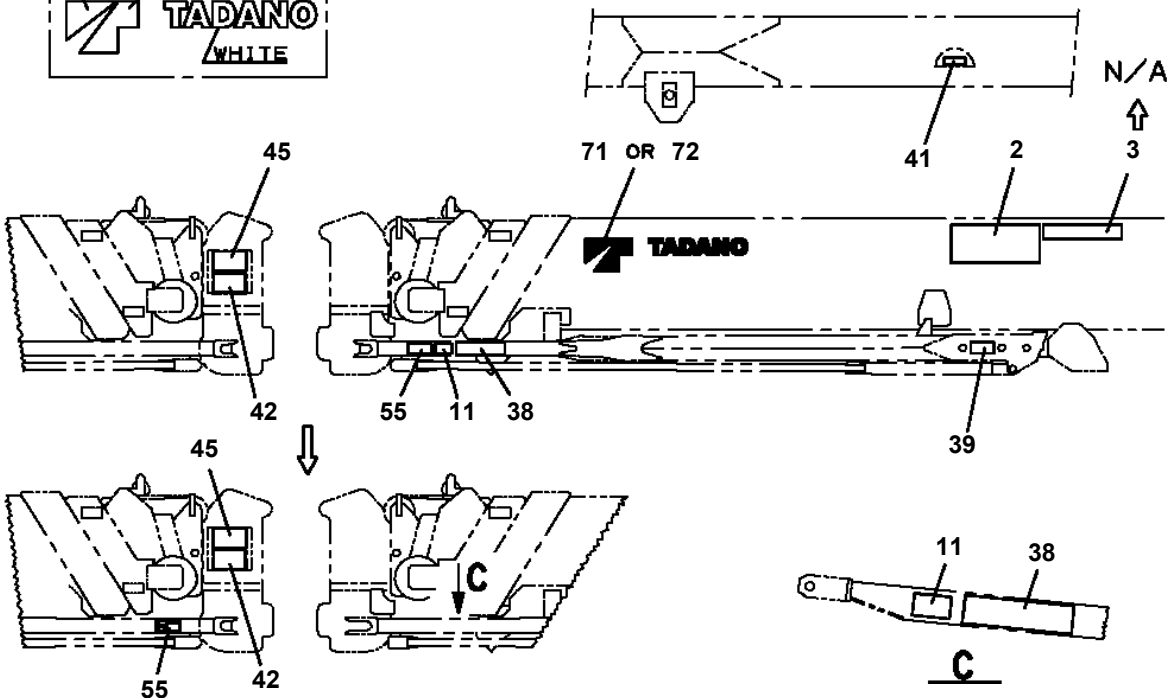
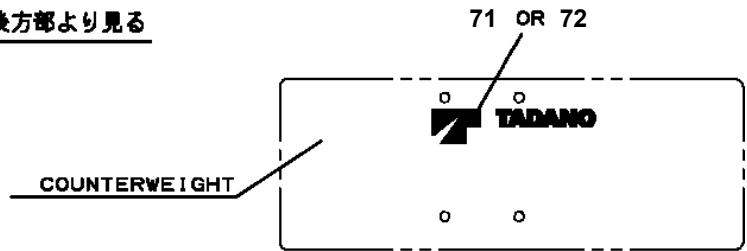
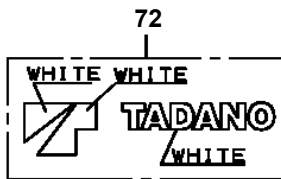
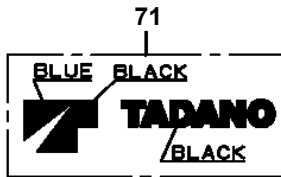
GR-120N-2-00213 6 BOOM + 2 JIB(PT),X,4.9TON

Pos No.	Parts No	Parts Name	Qty	Unit	Technical Data	Serial No (Start)	Serial No (End)	Remarks	Pages
1	34494443150	PLATE,CAUTION	1						
2	34494443200	PLATE,CAUTION	1						
4	34494504100	PLATE,CAUTION	1						

GR-120N-2-00213 6 BOOM + 2 JIB(PT),X,4.9TON
 PO1015226-02 PLATE ASSY,NAME (UPPER)



キャブ後方部より見る



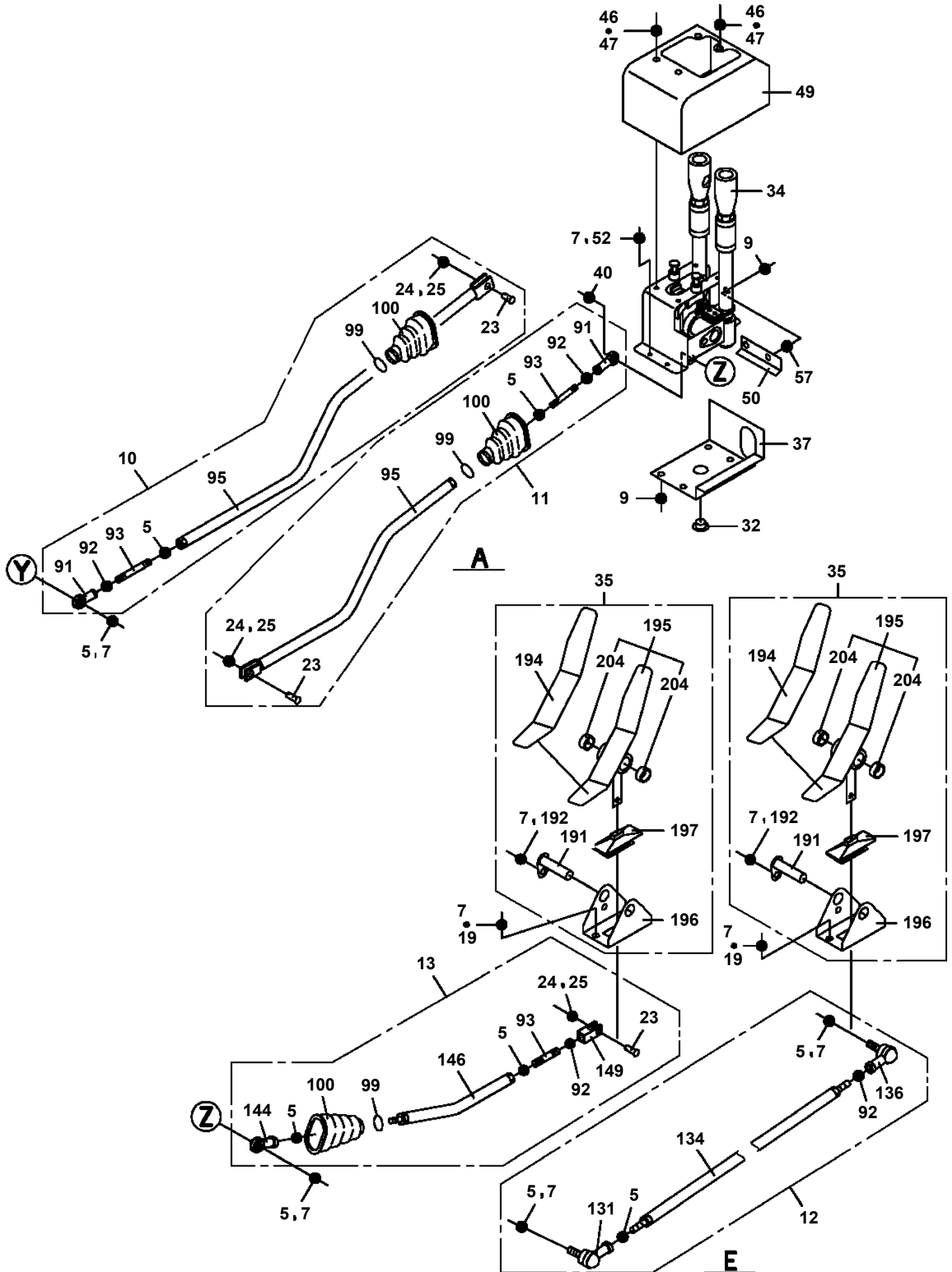
GR-120N-2-00213 6 BOOM + 2 JIB(PT),X,4.9TON

Pos No.	Parts No	Parts Name	Qty	Unit	Technical Data	Serial No (Start)	Serial No (End)	Remarks	Pages
1	34397581100	PLATE,NAME	2						

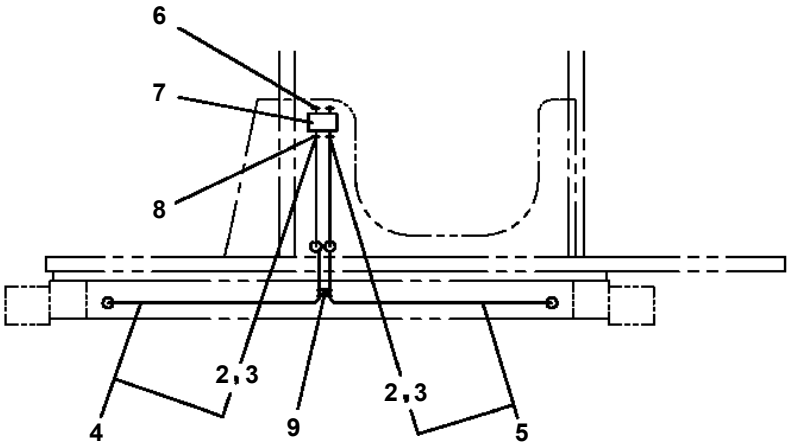
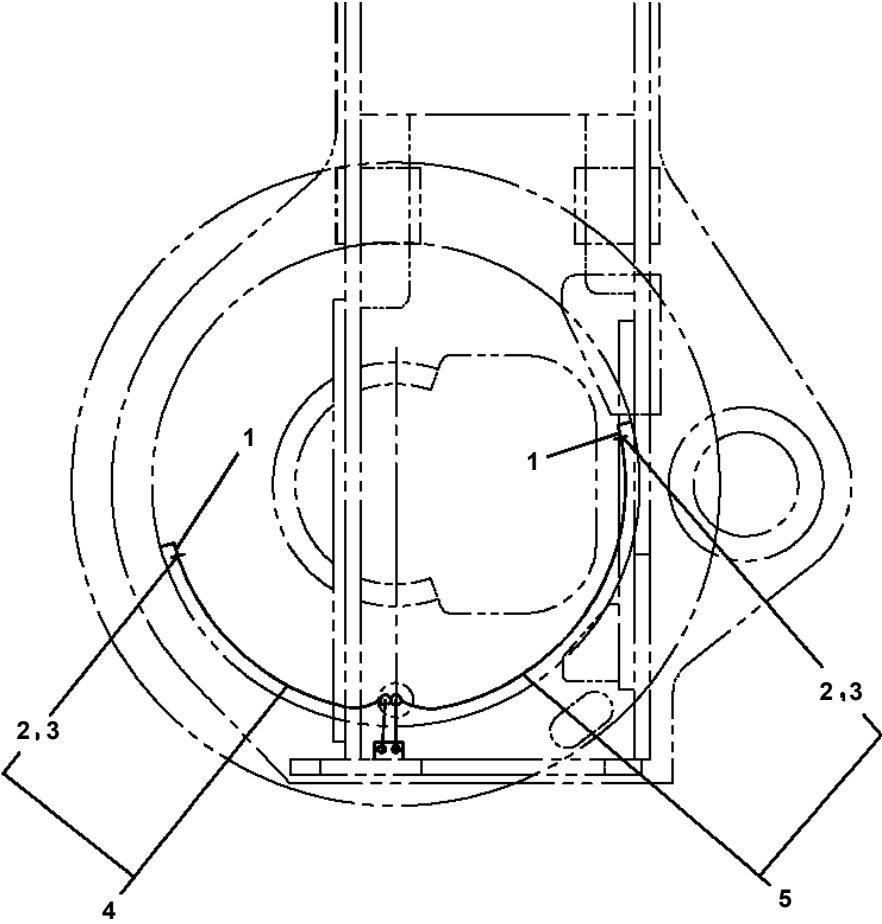
GR-120N-2-00213 6 BOOM + 2 JIB(PT),X,4.9TON

Pos No.	Parts No	Parts Name	Qty	Unit	Technical Data	Serial No (Start)	Serial No (End)	Remarks	Pages
1	42834433300	PLATE (NON-SLIP)	7						
2	34393926540	PLATE (NON-SLIP)	4				FD4167		
	42397246020	PLATE (NON-SLIP)	4			FD4168			
3	34393926560	PLATE (NON-SLIP)	2						
4	34393906540	PLATE (NON-SLIP)	2						
5	34393906550	PLATE (NON-SLIP)	2						
6	34393906520	PLATE (NON-SLIP)	4						
7	34394166510	PLATE (NON-SLIP)	4			FD4168			

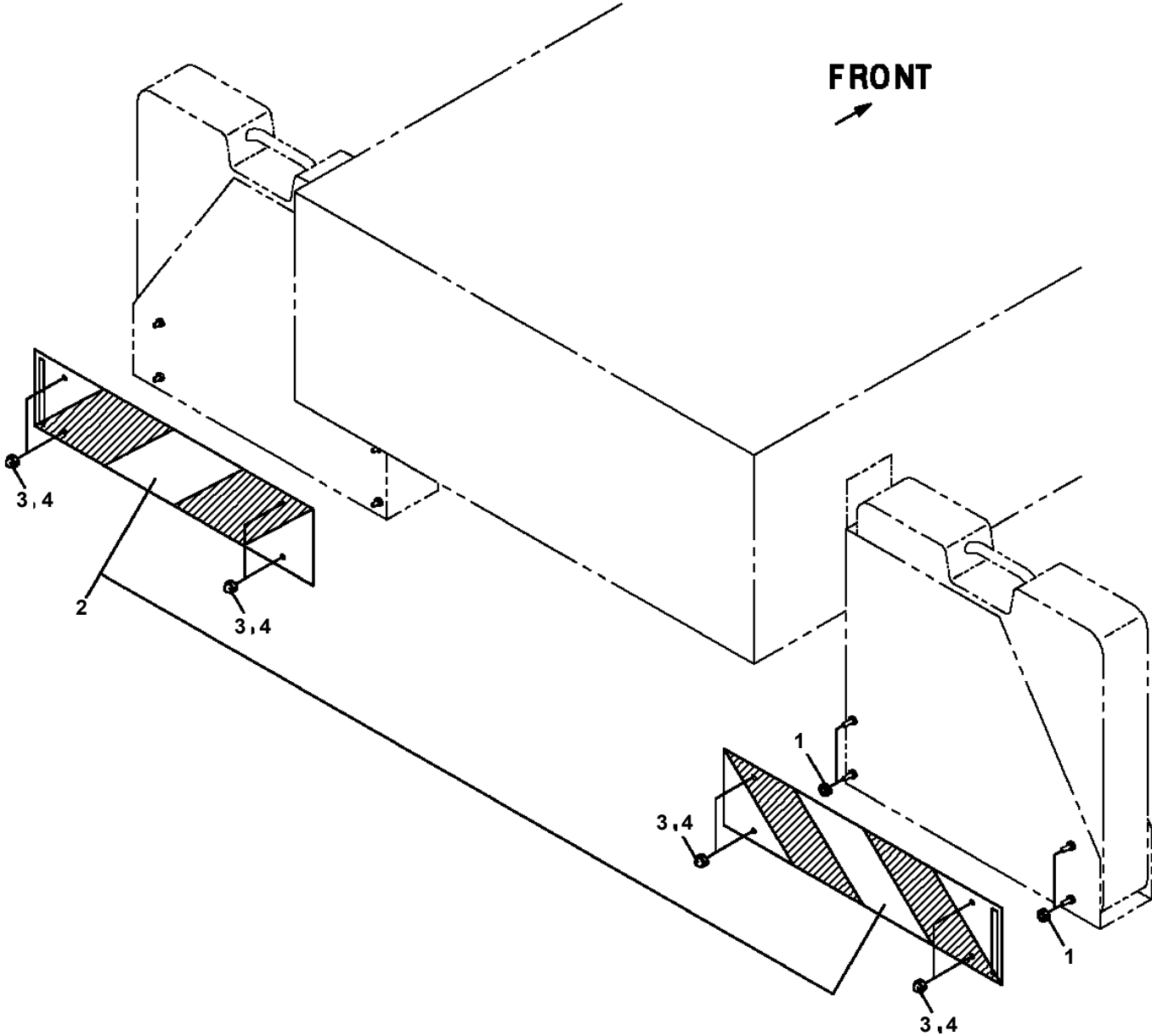
**GR-120N-2-00213 6 BOOM + 2 JIB(PT),X,4.9TON
PO5080092-02 OPE.ASSY,CONT.VALVE (TDN LAYOUT)**



**GR-120N-2-00213 6 BOOM + 2 JIB(PT),X,4.9TON
PP5120003-00 PARTS ASSY,GREASE (UPPER)**



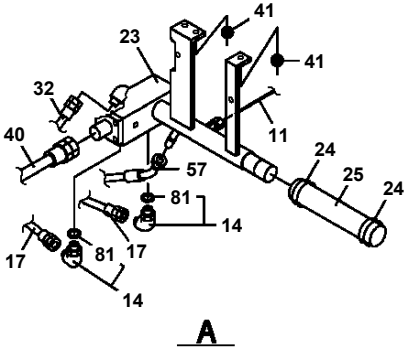
**GR-120N-2-00213 6 BOOM + 2 JIB(PT),X,4.9TON
PP5440009-00 PLATE ASSY (REFLECTOR/REAR)**



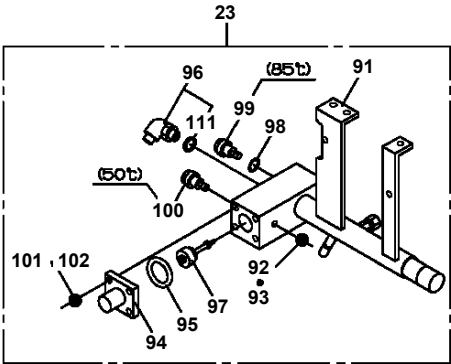
GR-120N-2-00213 6 BOOM + 2 JIB(PT),X,4.9TON

Pos No.	Parts No	Parts Name	Qty	Unit	Technical Data	Serial No (Start)	Serial No (E
1	37002458550	HOSE	1		L=520		
2	37000904840	NUT,FLARE	4		M20		
3	90304112001	WASHER (LOCK)	1		20		
4	90211202000	NUT	1		M20		
6	37000910220	FITTING	1		S,R1/2-12		
7	36870370000	DRIER,AIR	1				
8	90103210025	BOLT	3		M10X25		
9	90302041001	WASHER,SPRING	3		10		
10	59159035000	FITTING,ELBOW	2		L,R1/2-M20		
11	34921718040	PIPE ASSY	1		12XT0.7 L=429		
12	36101790000	TANK,AIR	1				
13	37000925180	JOINT	1		T,R1/2-R1/4-R1/8		
14	59181005000	SWITCH,PRESSURE (AIR)	1				
15	59451305000	VALVE,SAFETY (ASSY ONLY)	1				
16	36870390000	PLUG (DRAIN COCK)	1				
17	34921023100	BAND	2				
18	90201200800	NUT	8		M8		
19	80315020060	JOINT,BUSHING	1		S,R1/2-R1/4		
20	37000904330	FITTING,TEE	1		T,R1/4-10-10		
21	37000904830	NUT,FLARE	4		M16		
22	34921718050	PIPE ASSY	1		10XT0.7 L=435		
23	90211201600	NUT	1		M16		
24	90304111601	WASHER,TOOTH	1		16		
25	37000925170	FITTING	1		S,G1/4-M16		
26	37002415130	HOSE	1		L=720		
27	80430620400	JOINT	1				
28	34921718060	PIPE ASSY	1		10XT0.7 L=644		
29	37000904430	FITTING,TEE	1		T,R1/4-M16-M16		
30	36620450000	VALVE,PRESSURE PROTECTION	1				
31	90186206045	BOLT,FLANGE	2		M6X45		
32	37000904820	NUT,FLARE	8		M14		
33	59159047000	FITTING,TEE	2				
34	34921718070	PIPE ASSY	1		8XT0.7 L=894		
35	59459017000	GASKET	1				
36	34921718080	PIPE ASSY	1		6.35XT0.7 L=308		
37	34921718090	PIPE ASSY	1		6.35XT0.7 L=365		
38	59159039000	JOINT,NIPPLE	1				
39	34922458030	PIPE ASSY	1		12XT0.9 L=2359		
41	37000910330	FITTING,ELBOW	1		L,R1/4-8		
42	80316040060	PLUG	1		NTN PGDPT3/8		
43	34921718100	PIPE ASSY	1		8XT0.7 L=478		
44	37000913740	FITTING,TEE	1		T,R1/4-8-8		
45	34921718110	PIPE ASSY	1		8XT0.7 L=361		
46	36645970000	VALVE ASSY,SOLENOID (ASSY ONLY)	1				
47	90186208014	BOLT,FLANGE	12		M8X14		
48	37000901290	FITTING,ELBOW	1		L,R1/4-6.35		
49	37000904810	NUT,FLARE	12		M12		
50	34921718120	PIPE ASSY	1		6.35XT0.7 L=327		
51	37001601440	NUT	6		M12X1.0		
52	90304111201	WASHER,TOOTH	6		12		
53	37000900731	FITTING	3		S,M12-M12		
54	34921718130	PIPE ASSY	1		6.35XT0.7 L=1170		
55	37002444770	HOSE,AIR	2		L=450		
56	80430470450	JOINT	1				
57	34921718140	PIPE ASSY	1		8XT0.7 L=449		
58	36644590000	VALVE,SOLENOID	1				
59	90101204040	BOLT	3		M4X40		
60	90302040401	WASHER,SPRING	3		4		
61	90186208020	BOLT,FLANGE	2		M8X20		
62	56476172000	FITTING	2		S,R1/4-M12		
63	34922458040	PIPE ASSY	1		6.35XT0.7 L=2491		
64	34922458050	PIPE ASSY	1		6.35XT0.7 L=2454		
65	37002422010	HOSE,AIR	1		L=500		

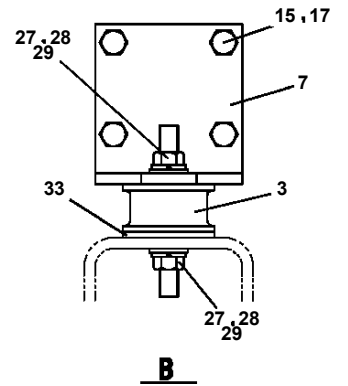
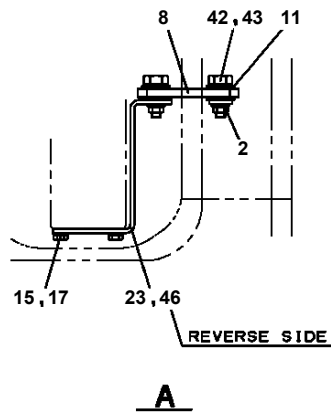
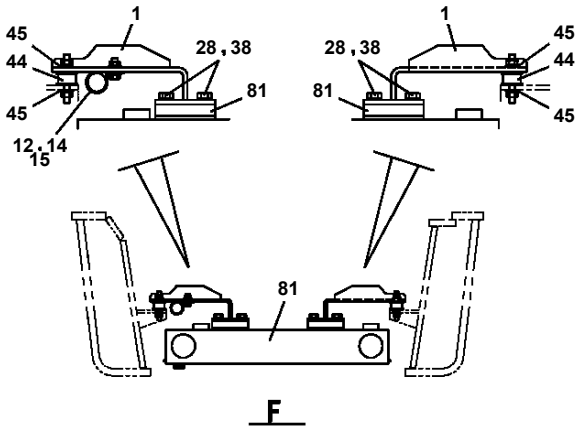
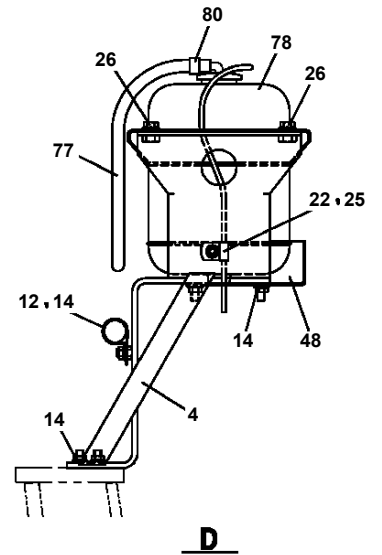
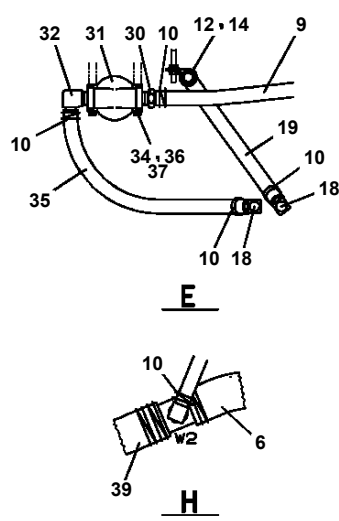
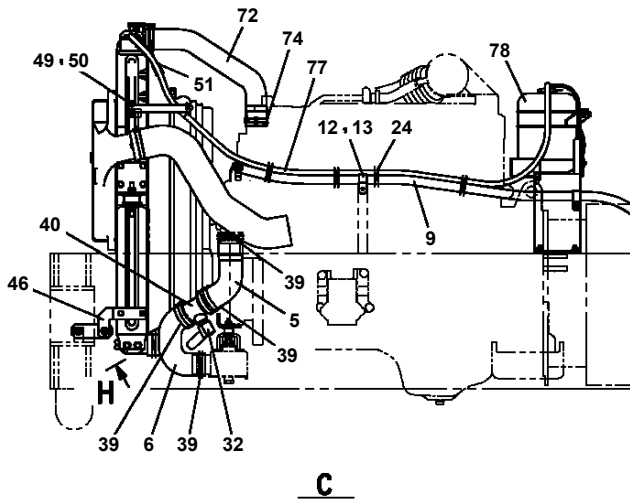
**GR-120N-2-00213 6 BOOM + 2 JIB(PT),X,4.9TON
PP6270025-02 PIPING ASSY,RETURN (LOWER)**



A



**GR-120N-2-00213 6 BOOM + 2 JIB(PT),X,4.9TON
PQ1020106-00 RADIATOR**



GR-120N-2-00213 6 BOOM + 2 JIB(PT),X,4.9TON

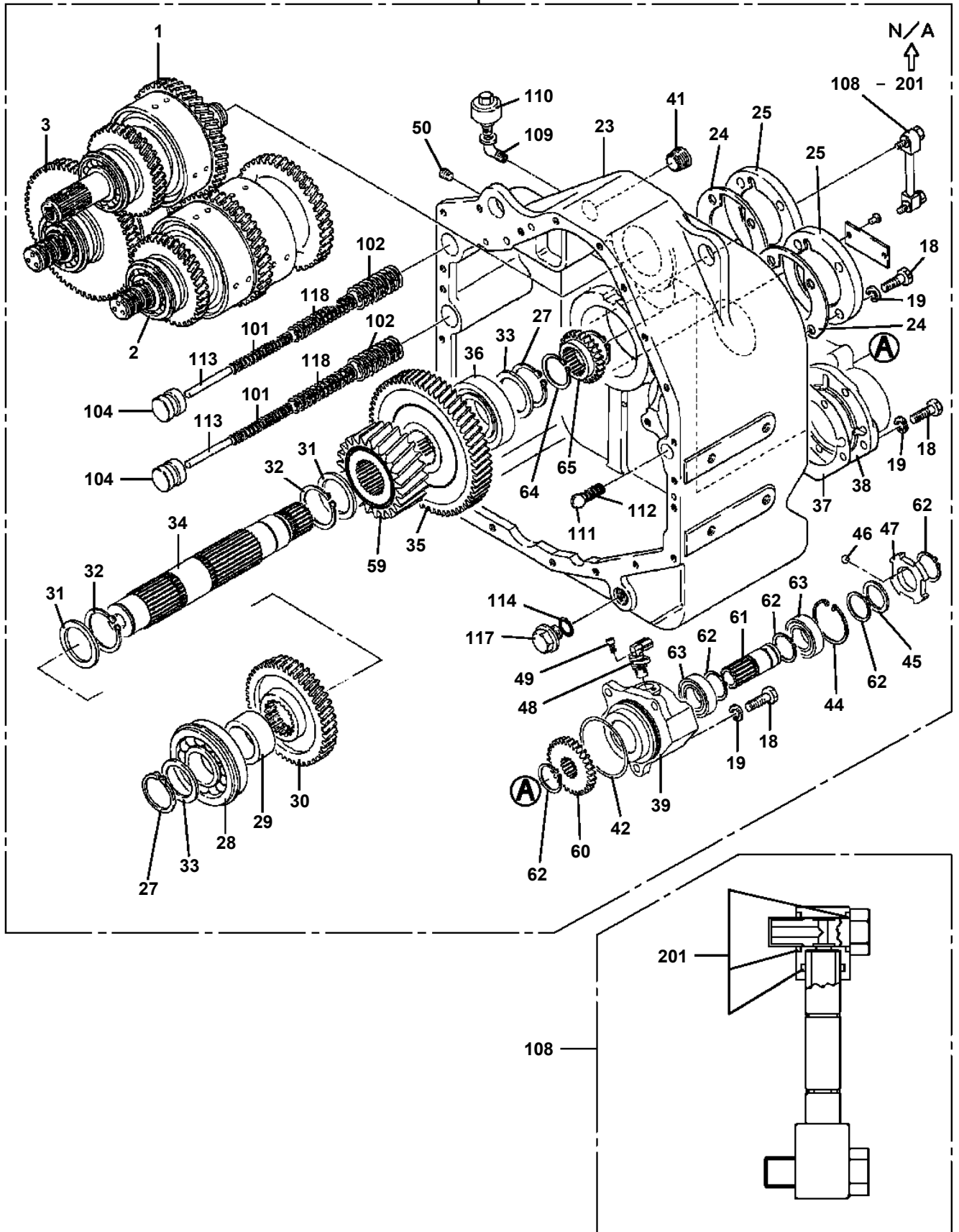
Pos No.	Parts No	Parts Name	Qty	Unit	Technical Data	Serial No (Start)	Serial No (End)	Remarks	Page
2	34781647510	ELEMENT	1						
3	34780437550	GASKET ASSY (NUT)	1						
4	34780527540	COVER ASSY	1						
5	34780527530	CAP ASSY,NUT	1						
7	34780527520	GASKET	1						
8	34780437510	VALVE	1						
9	34670015130	INDICATOR	1						
11	34780521100	CAP (RAIN)	1						
21	34780527550	CLAMP ASSY	1						
50	34781641000	CLEANER,AIR	1						

GR-120N-2-00213 6 BOOM + 2 JIB(PT),X,4.9TON

Pos No.	Parts No	Parts Name	Qty	Unit	Technical Data	Serial No (Start)	Serial No (End)
1	34721211001	SWITCH ASSY	1				
2	80192485014	SCREW,MACHINE (WITH WASHER)	4		M5X14		

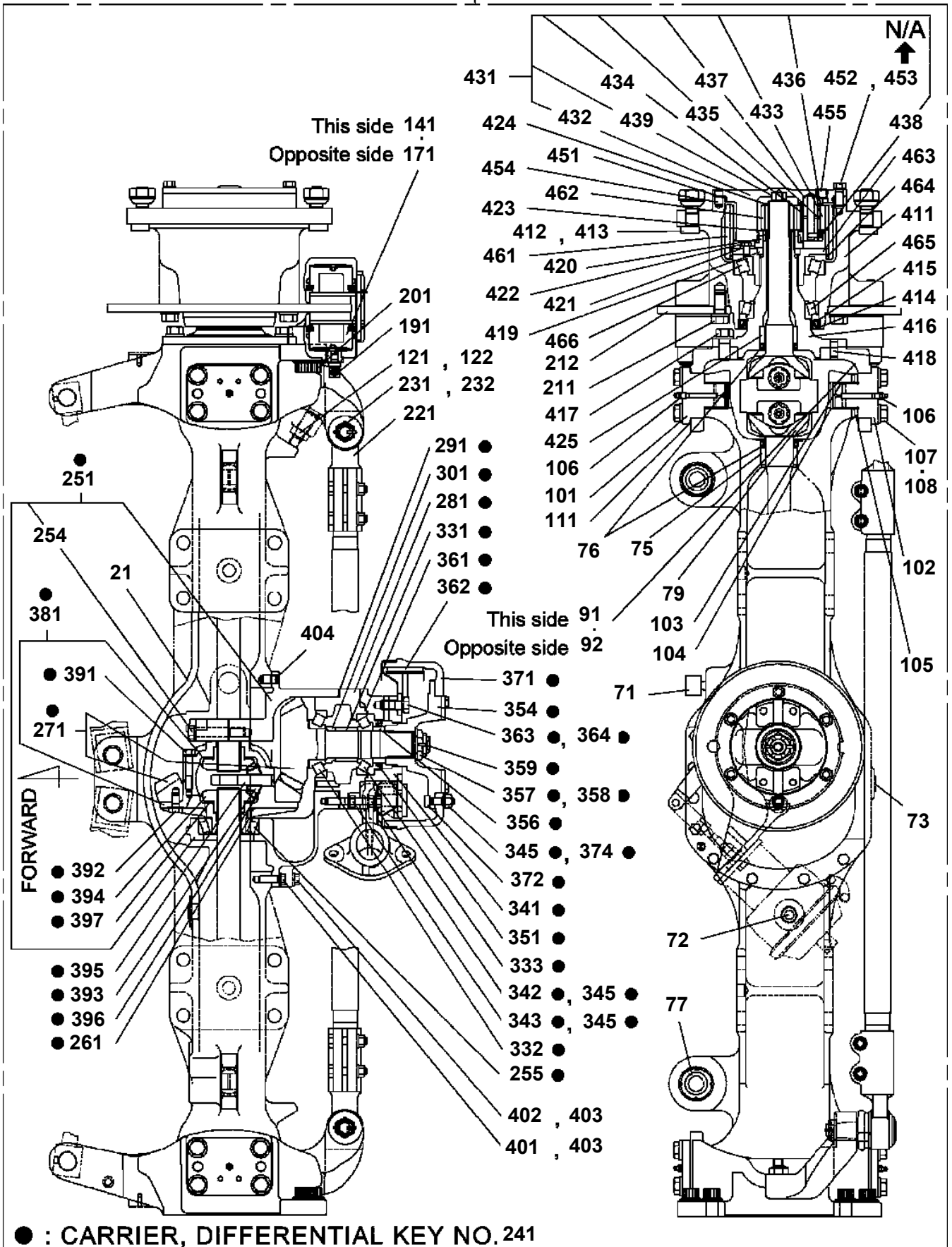
**GR-120N-2-00213 6 BOOM + 2 JIB(PT),X,4.9TON
PR1400068-01 TRANSMISSION**

500

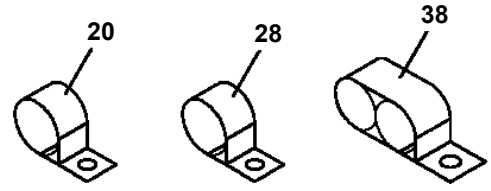
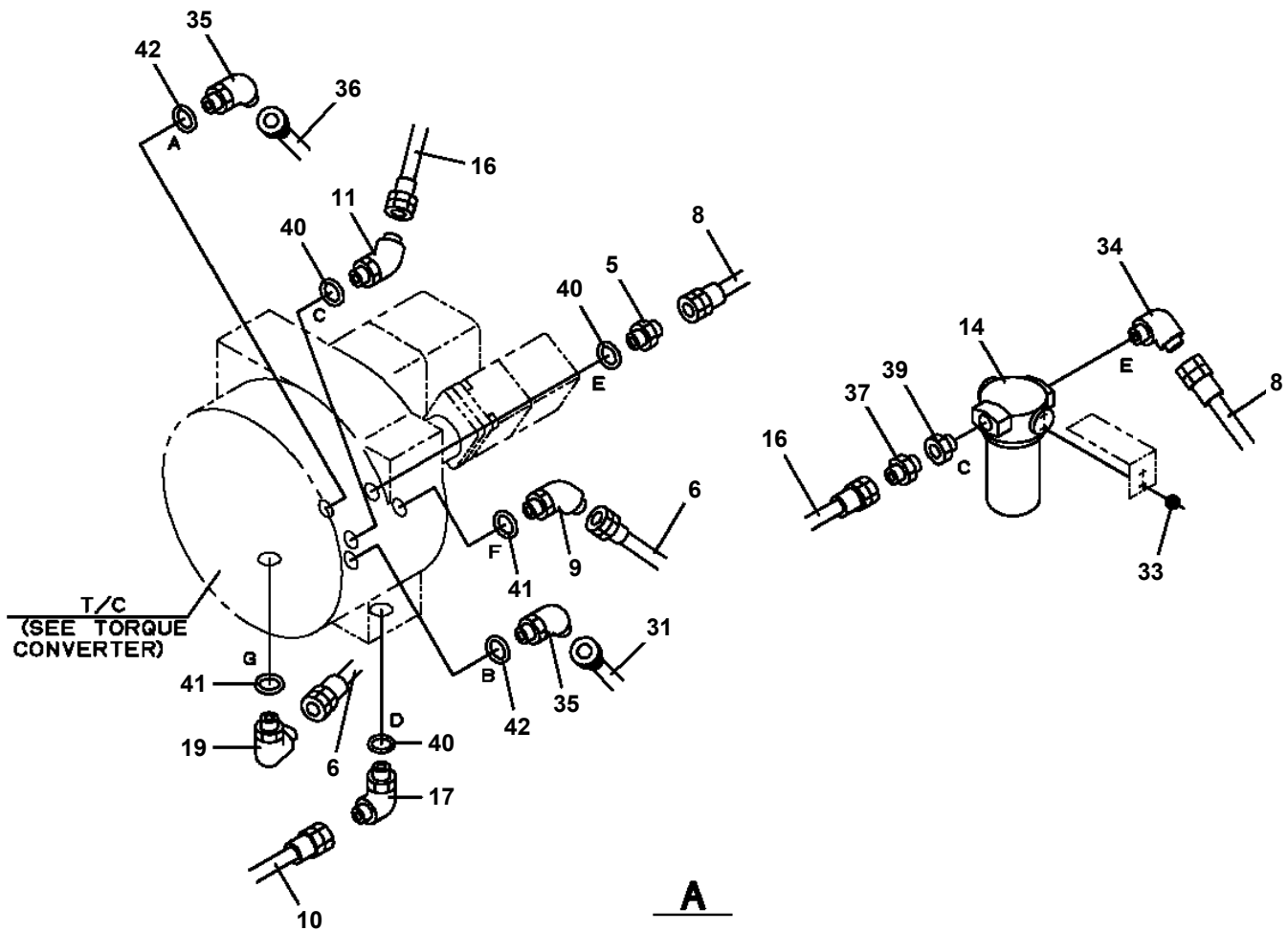


GR-120N-2-00213 6 BOOM + 2 JIB(PT),X,4.9TON
 PR1620101-03 AXLE,DRIVING (FRONT)

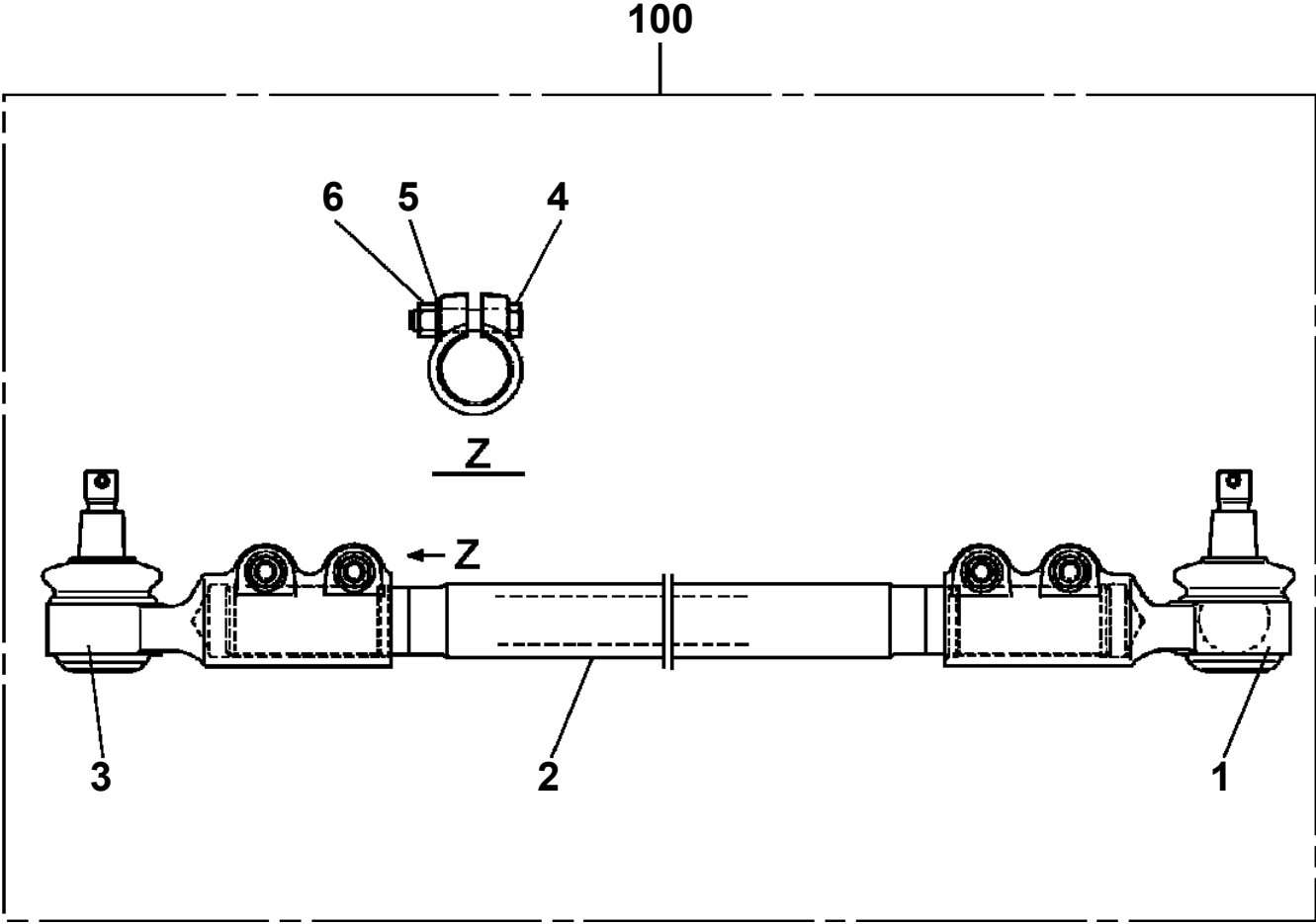
500



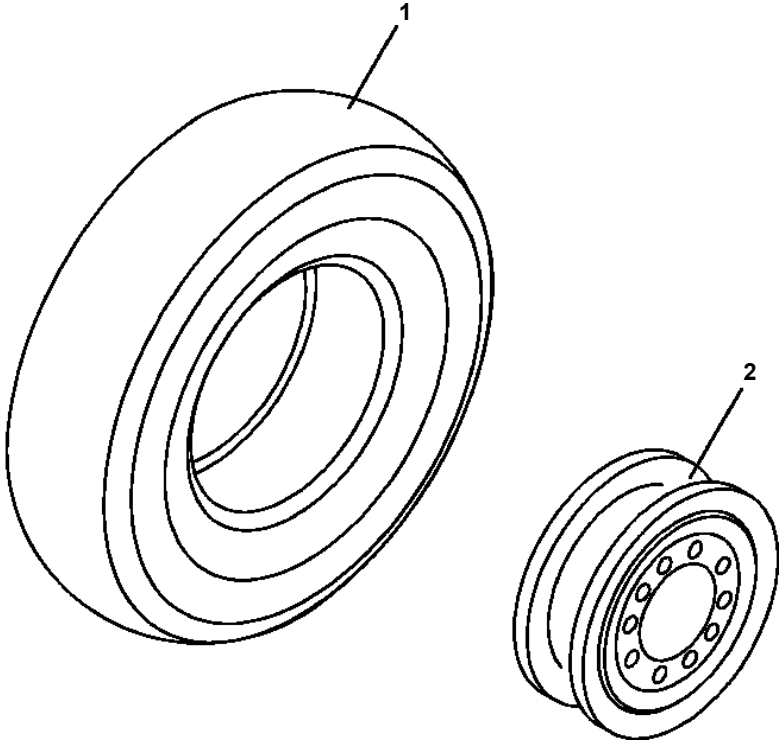
**GR-120N-2-00213 6 BOOM + 2 JIB(PT),X,4.9TON
PR1700084-02 PIPING,CONVERTER**



GR-120N-2-00213 6 BOOM + 2 JIB(PT),X,4.9TON
PR2010063-00 AXLE (TIE ROD)



**GR-120N-2-00213 6 BOOM + 2 JIB(PT),X,4.9TON
PR2150062-00 TIRE & WHEEL (275/80:DUNLOP+TOPY)**



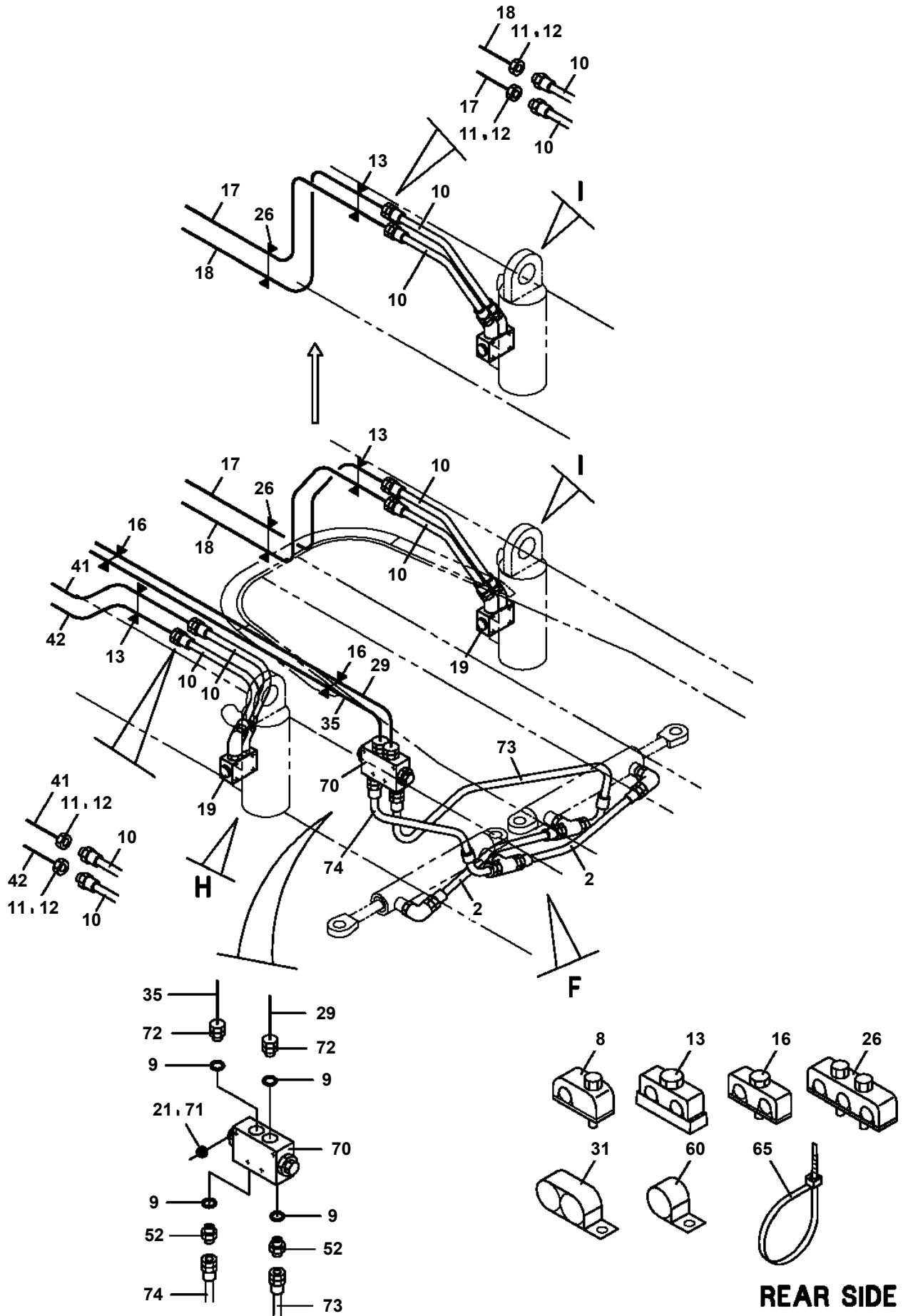
GR-120N-2-00213 6 BOOM + 2 JIB(PT),X,4.9TON

Pos No.	Parts No	Parts Name	Qty	Unit	Technical Data	Serial No (Start)	Serial No (End)	Remarks	Pages
3	34630987510	O-RING	1				FD3223		
	34631147510	O-RING	1			FD3224			
7	34630987540	RING,SLIP	30				FD3223		
	34631147520	RING,SLIP	30			FD3224			
15	34630987550	INSULATOR	1						
17	34630987560	POTENTIOMETER	1						
22	34630987570	INSULATOR	6						
23	34630987580	INSULATOR	1						
26	34630987590	BRUSH	6						
56	34630987620	COUPLING ASSY	1						
58	34630987600	O-RING	1						
100	34630982003	RING ASSY,SLIP	1						

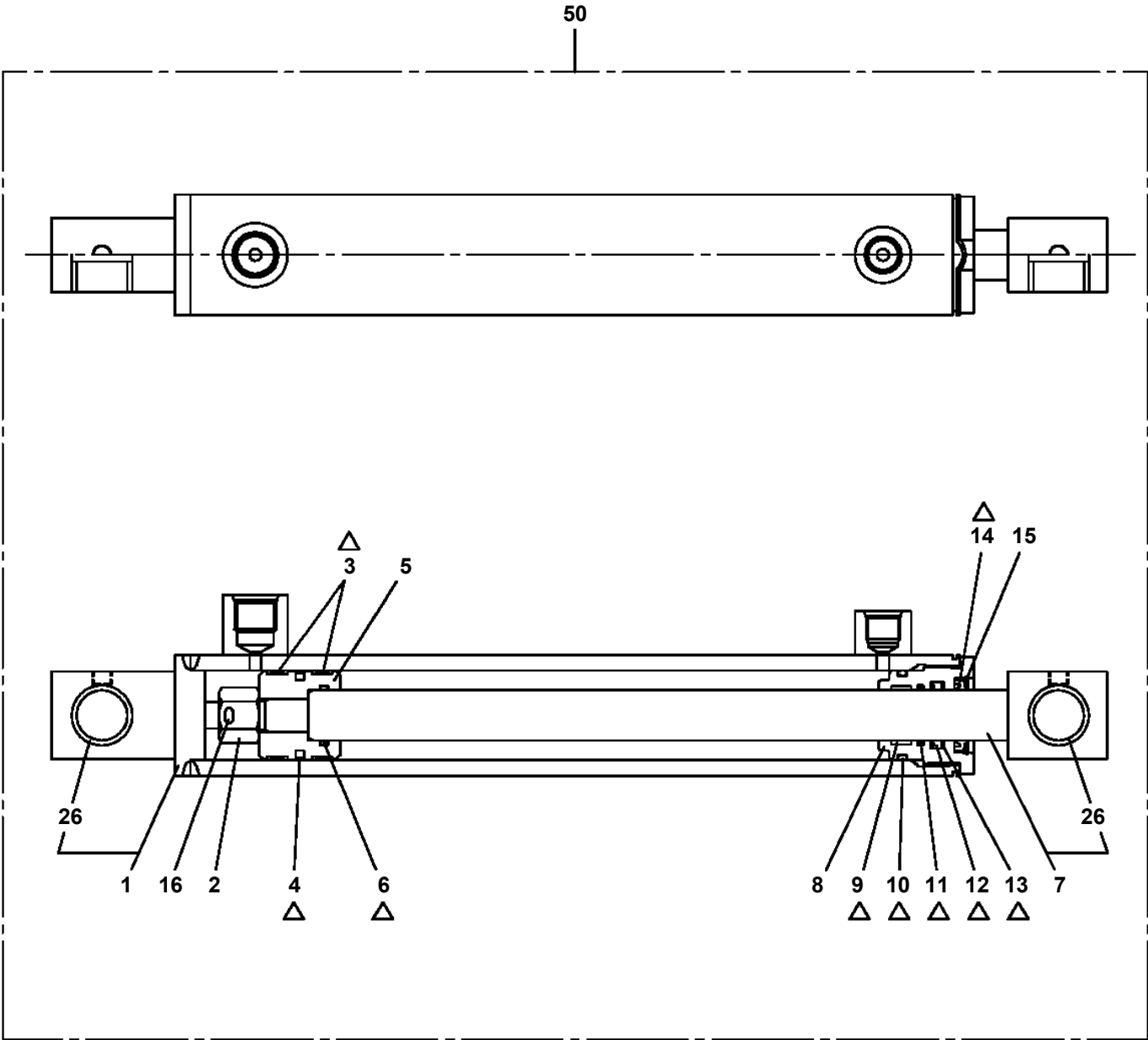
GR-120N-2-00213 6 BOOM + 2 JIB(PT),X,4.9TON

Pos No.	Parts No	Parts Name	Qty	Unit	Technical Data	Serial No (Start)	Serial No (End)	Remarks	P
1	37001808720	ROPE,WIRE (KISWIRE)	1						

**GR-120N-2-00213 6 BOOM + 2 JIB(PT),X,4.9TON
PS1200180-04 PIPING,STEERING (LOWER)**

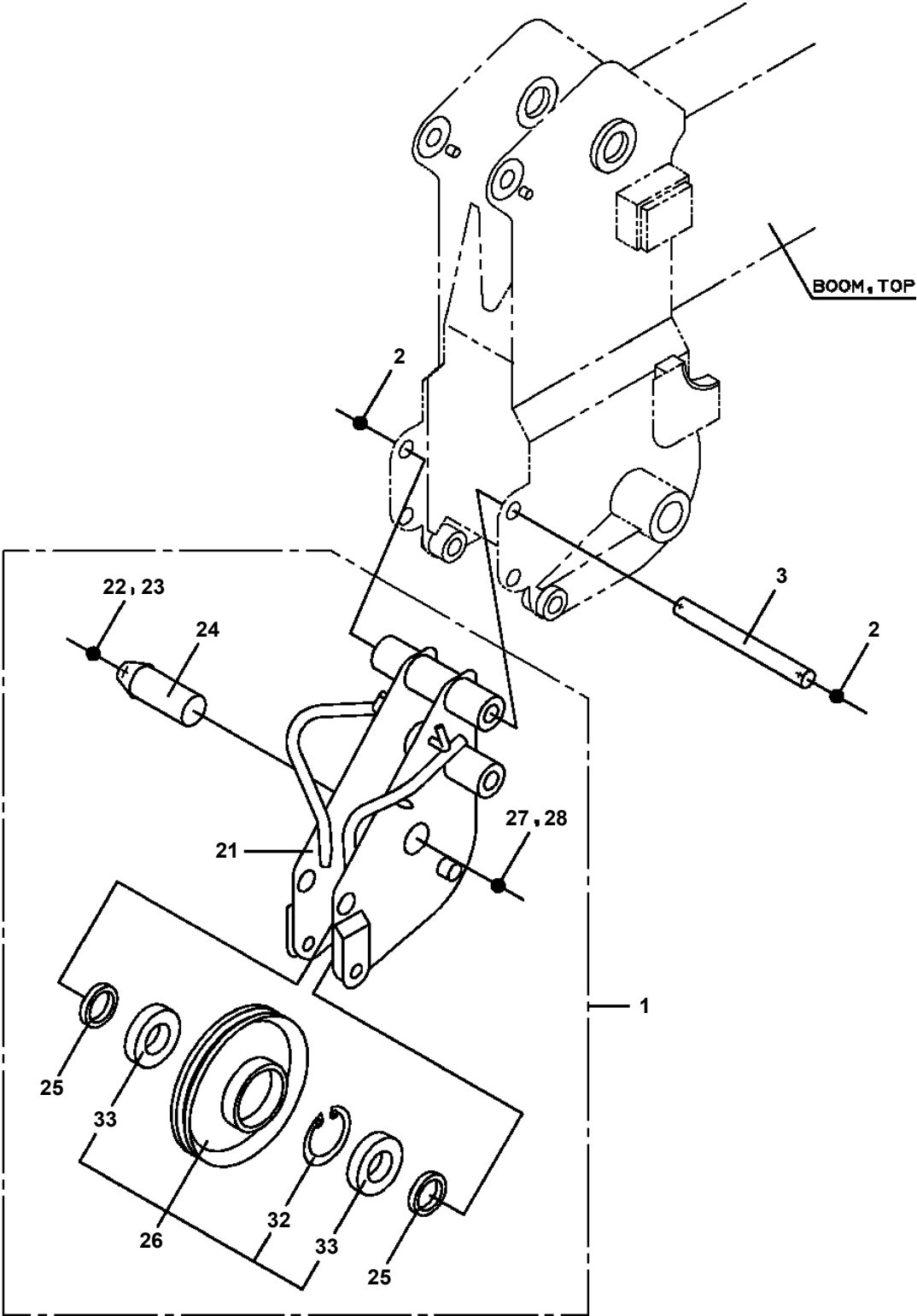


GR-120N-2-00213 6 BOOM + 2 JIB(PT),X,4.9TON
PS1360041-04 CYLINDER,STEERING

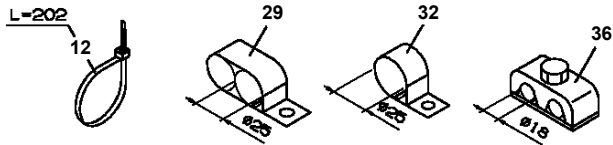
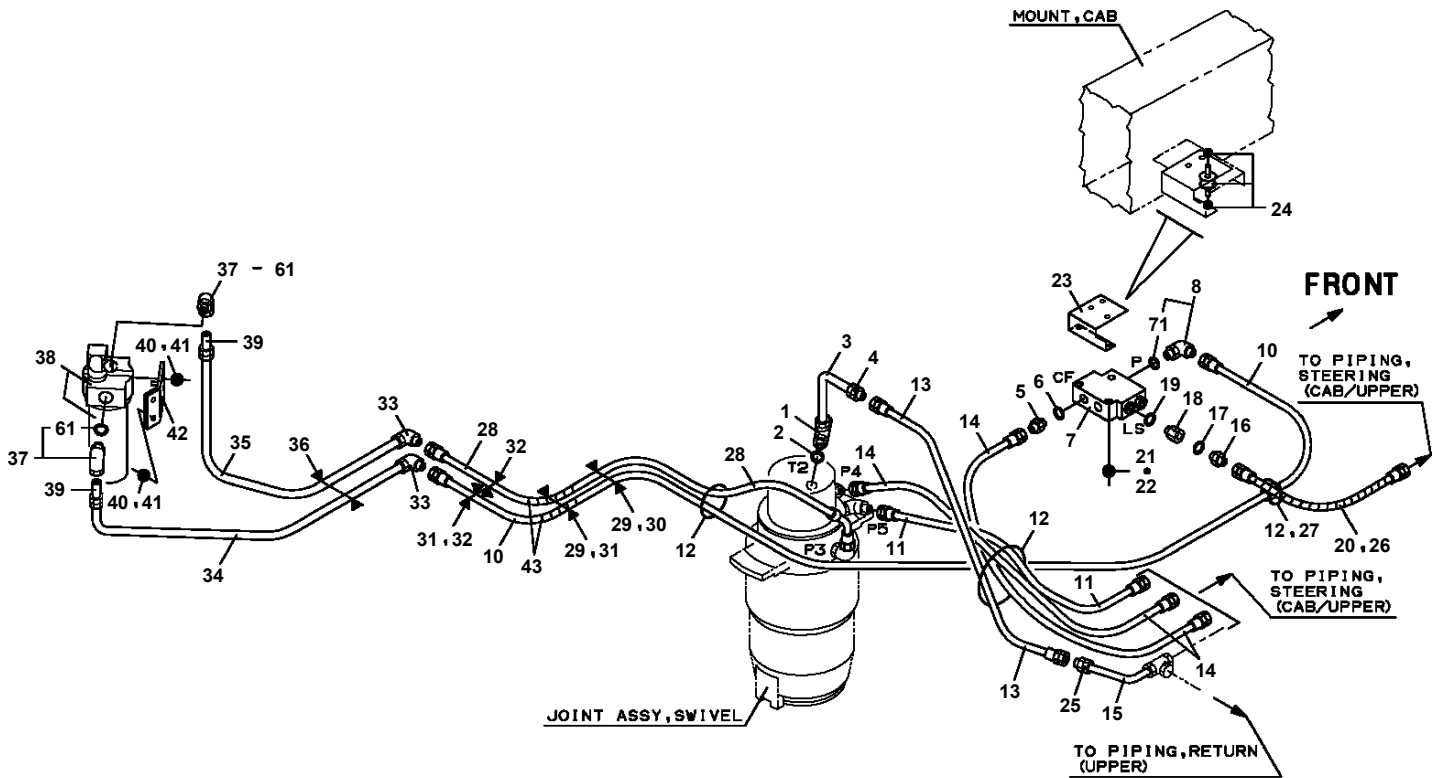


△:PACKING SET KEY NO.40 (KEY NO.3,4,6,9,10,11,12,13,14)

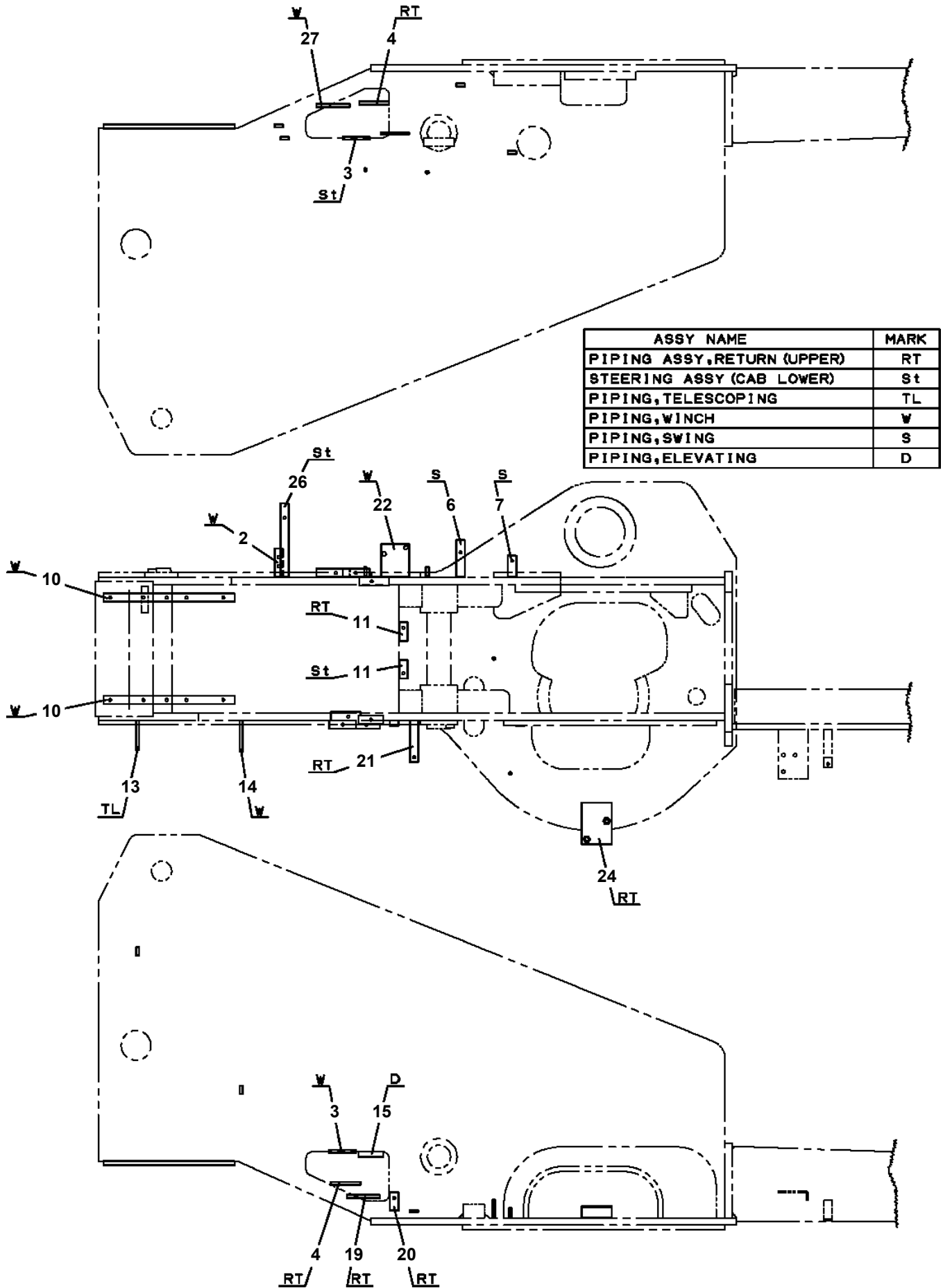
GR-120N-2-00213 6 BOOM + 2 JIB(PT),X,4.9TON
PS5220001-00 SINGLE TOP ASSY



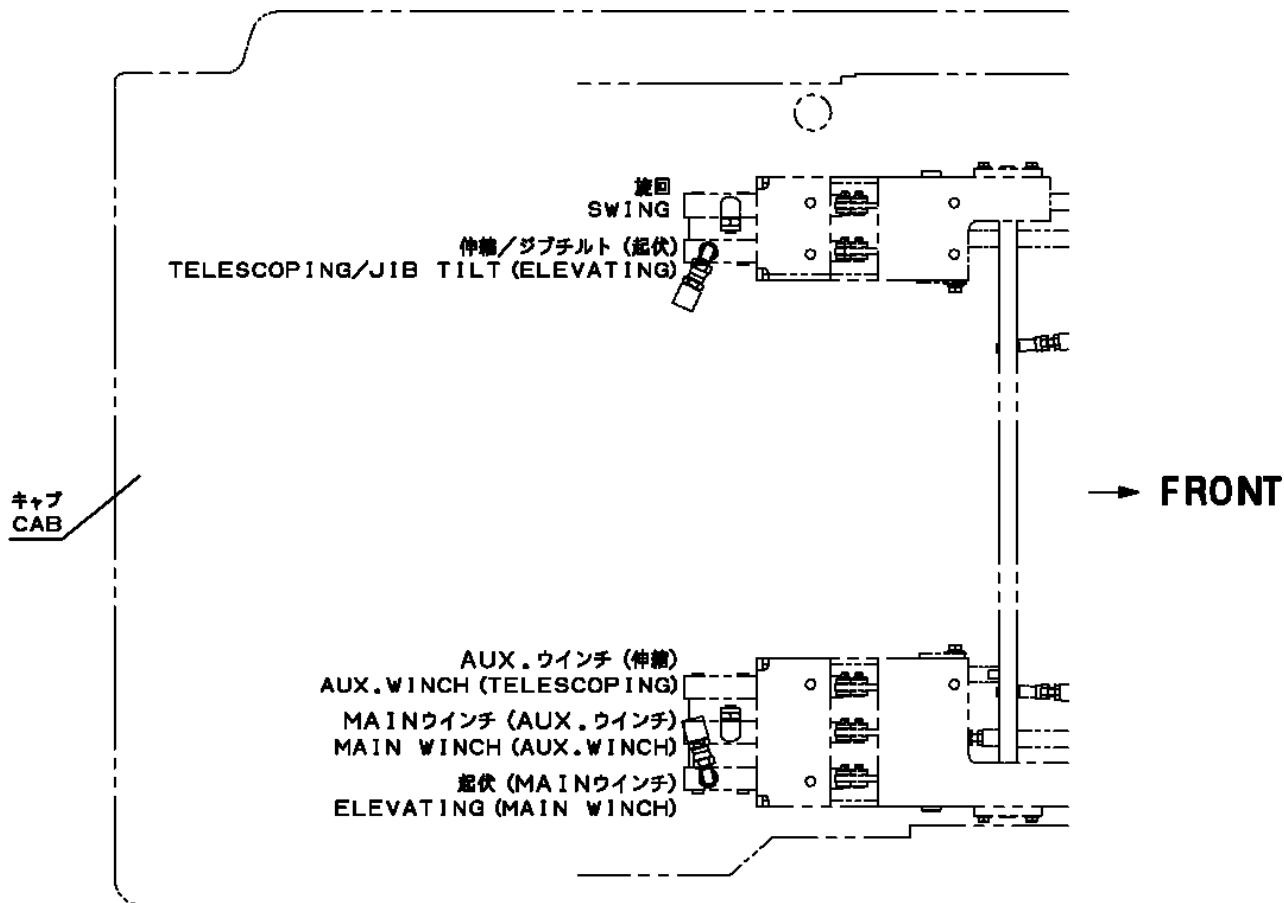
**GR-120N-2-00213 6 BOOM + 2 JIB(PT),X,4.9TON
PS5340023-01 STEERING ASSY (CAB/LOWER)**



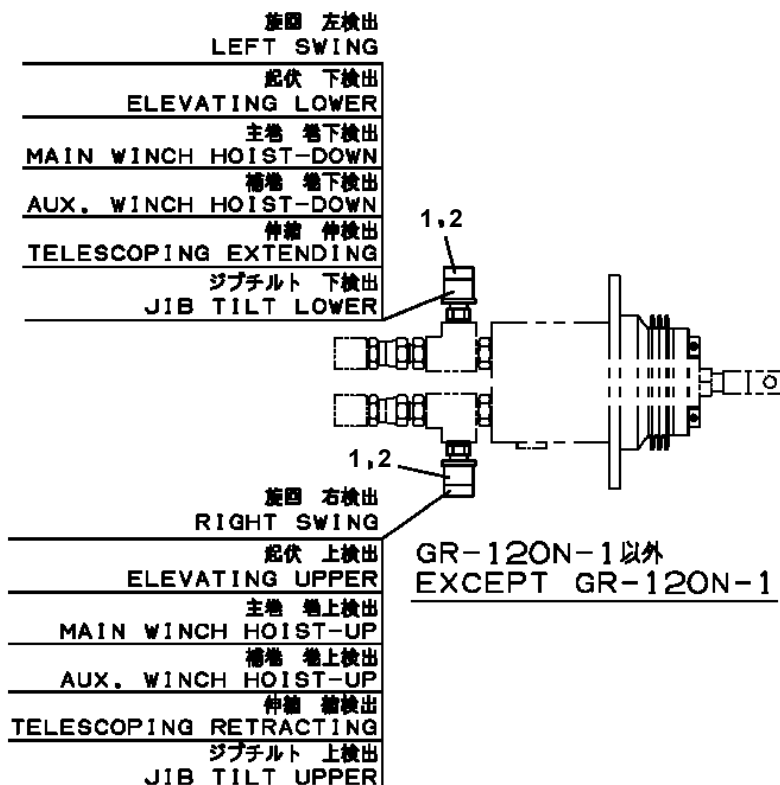
**GR-120N-2-00213 6 BOOM + 2 JIB(PT),X,4.9TON
PS5420106-00 SUPPORT ASSY (HYDRAULIC PARTS)**



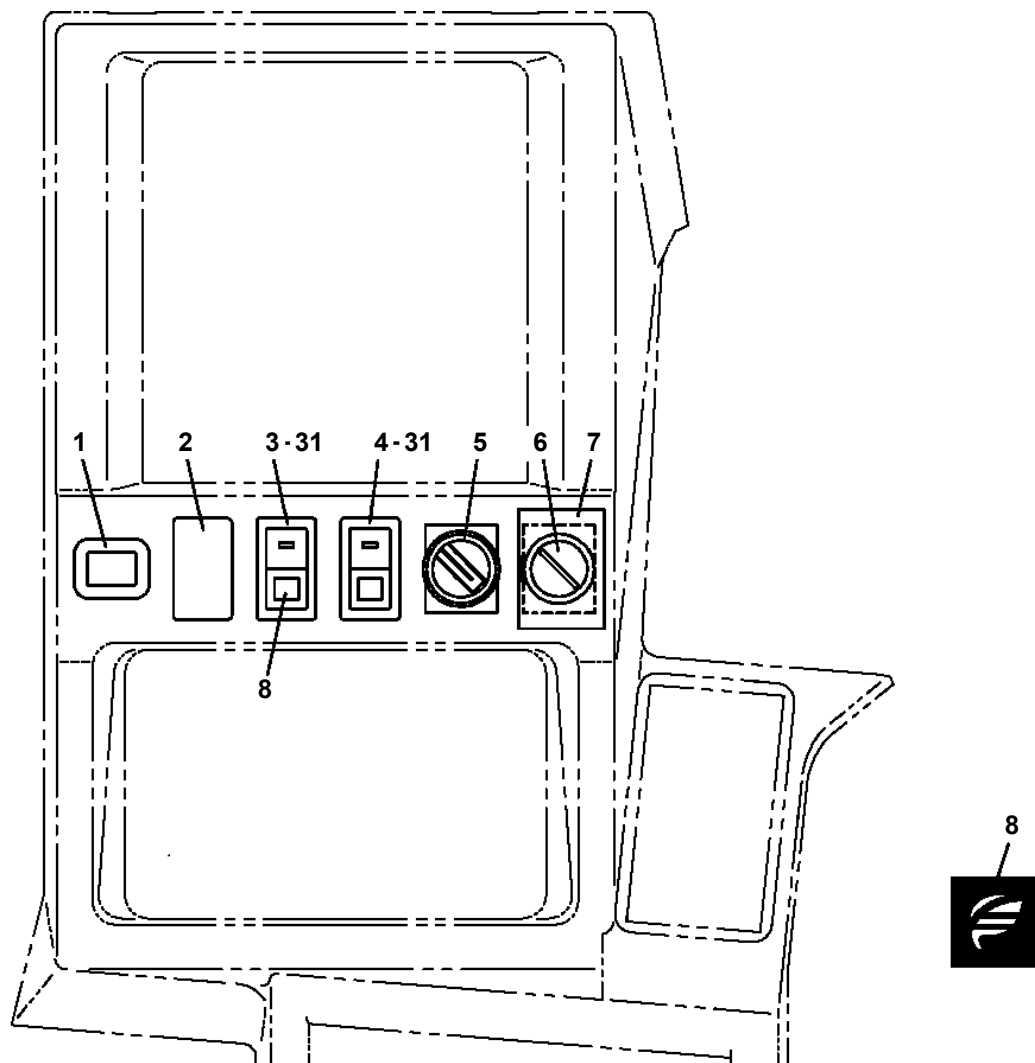
**GR-120N-2-00213 6 BOOM + 2 JIB(PT),X,4.9TON
PS5530015-03 SWITCH ASSY (CRANE OPE.FOR REMOCON VALVE)**



< () はTDN方式を示す >
< () はTADANO ARRANGEMENT >

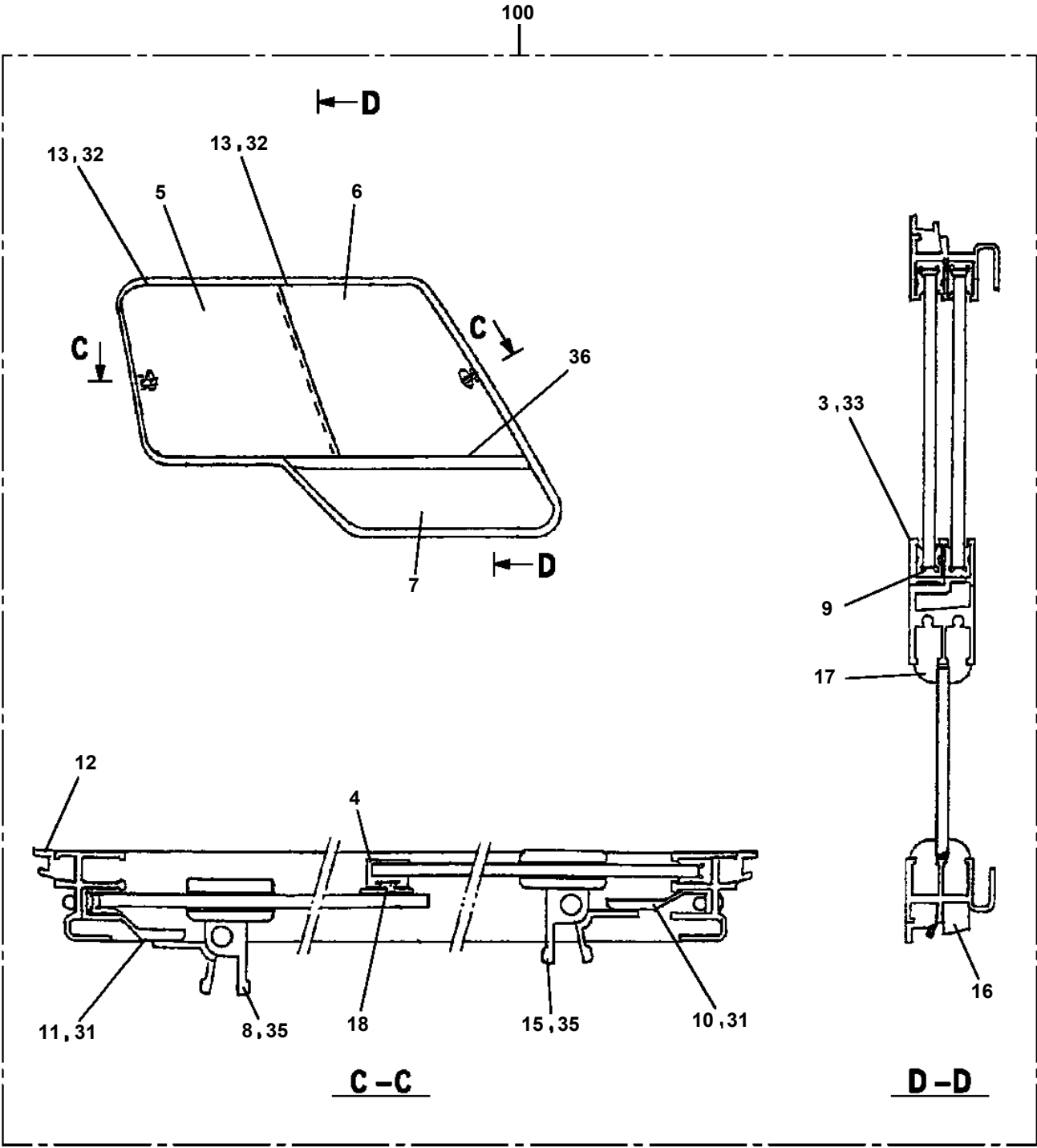


**GR-120N-2-00213 6 BOOM + 2 JIB(PT),X,4.9TON
PS5530086-00 SWITCH ASSY (2)**

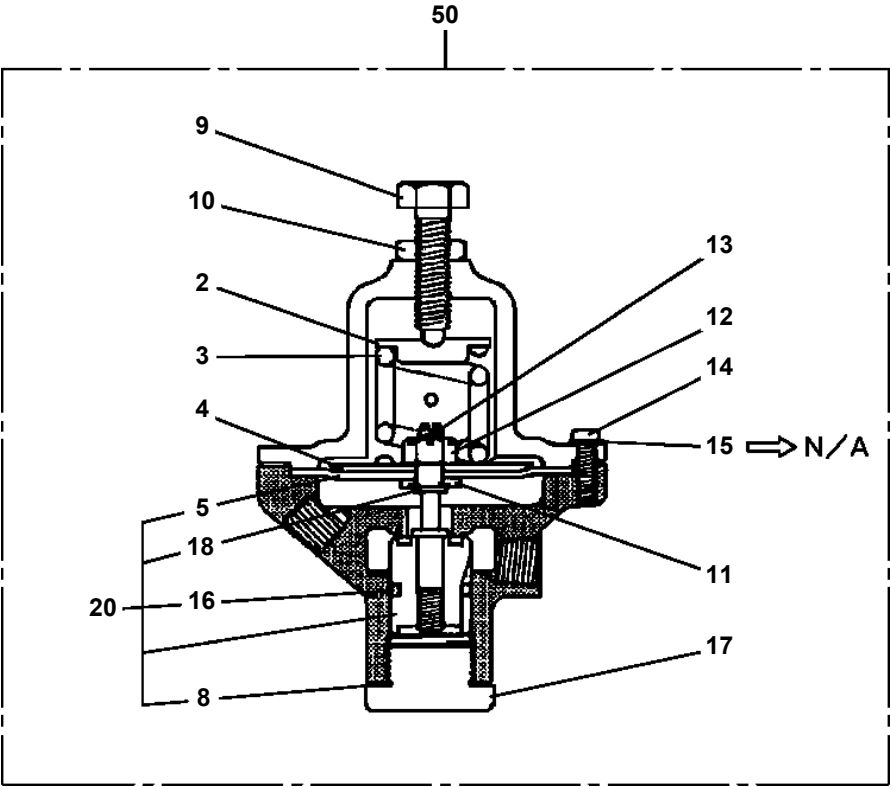


KEY . NO .	NAME	CN . NO .
1	OVERWIND CUT OUT RELEASE	CN505
2	CAP (RESERVE)	—
3	ECO MODE	CN447
4	SWING BRAKE	CN484
5	PTO	CN509
6	AML EMERGENCY	CN558

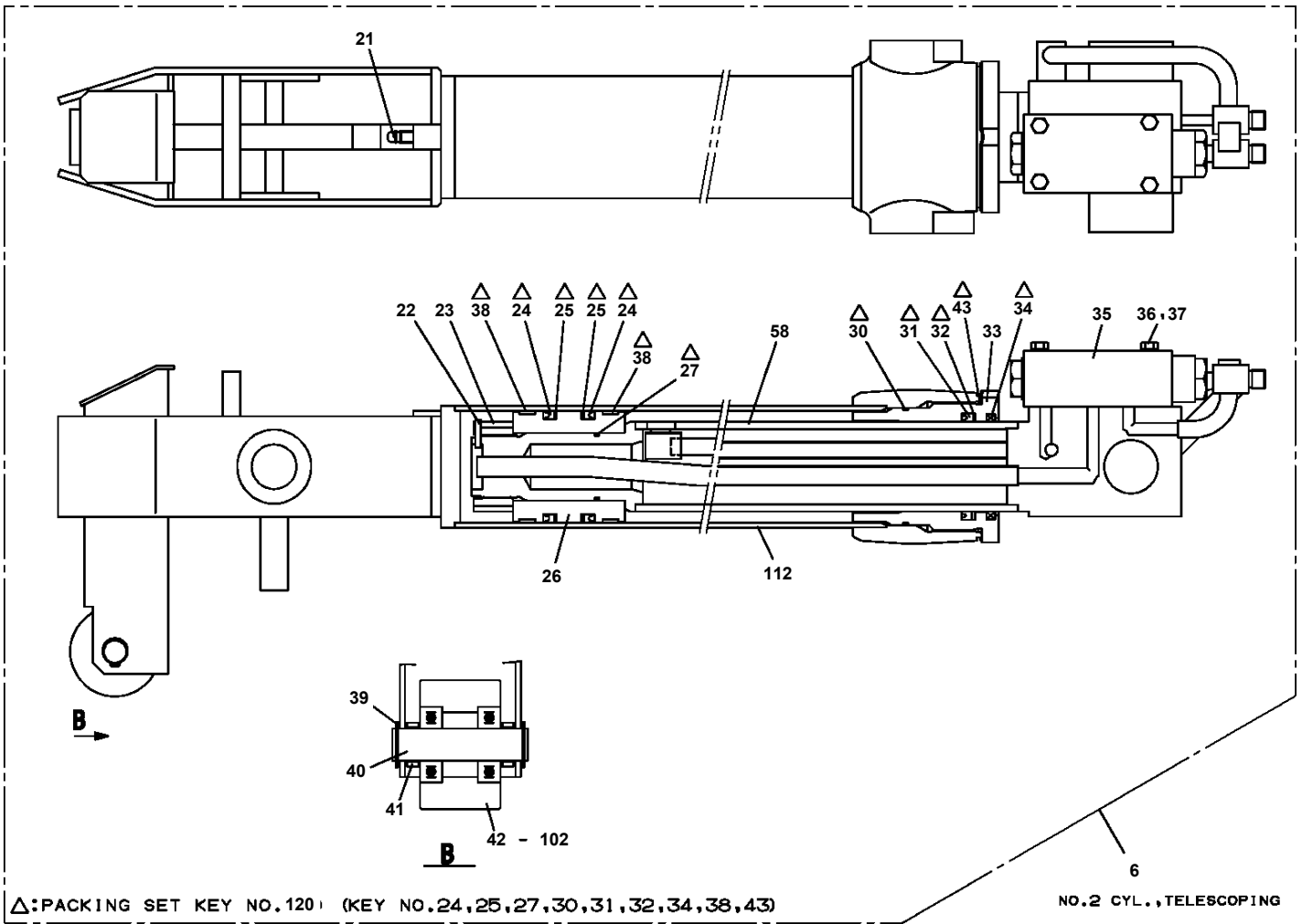
GR-120N-2-00213 6 BOOM + 2 JIB(PT),X,4.9TON
PS5590006-00 SASH (BUHIN KOGYO)



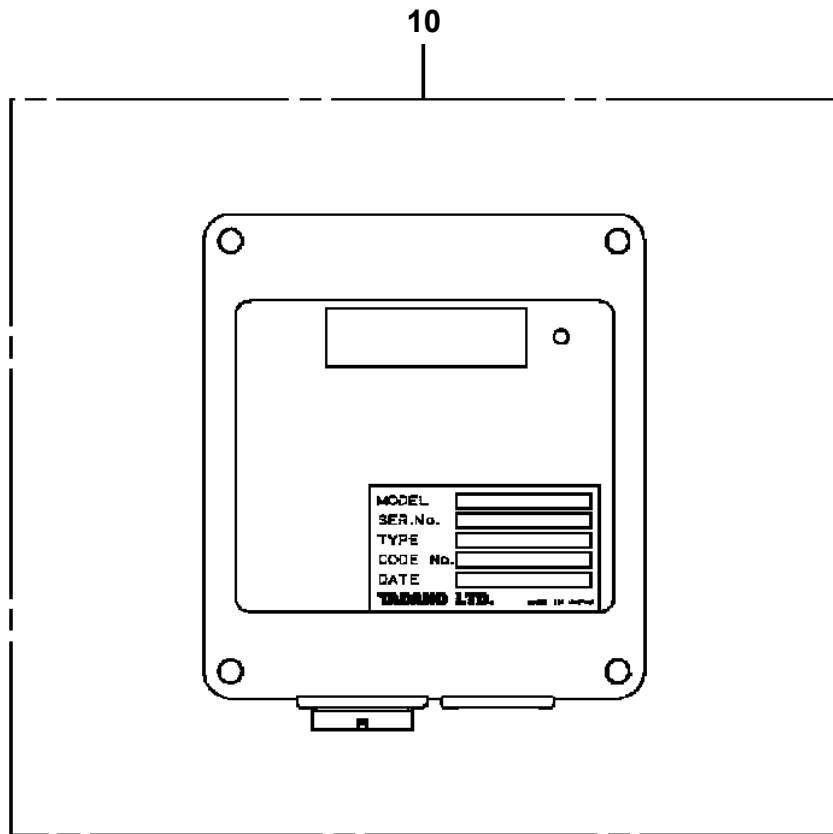
**GR-120N-2-00213 6 BOOM + 2 JIB(PT),X,4.9TON
PT1280001-02 VALVE,REDUCING**



**GR-120N-2-00213 6 BOOM + 2 JIB(PT),X,4.9TON
PT5130001-01 TELESCOPE ASSY**

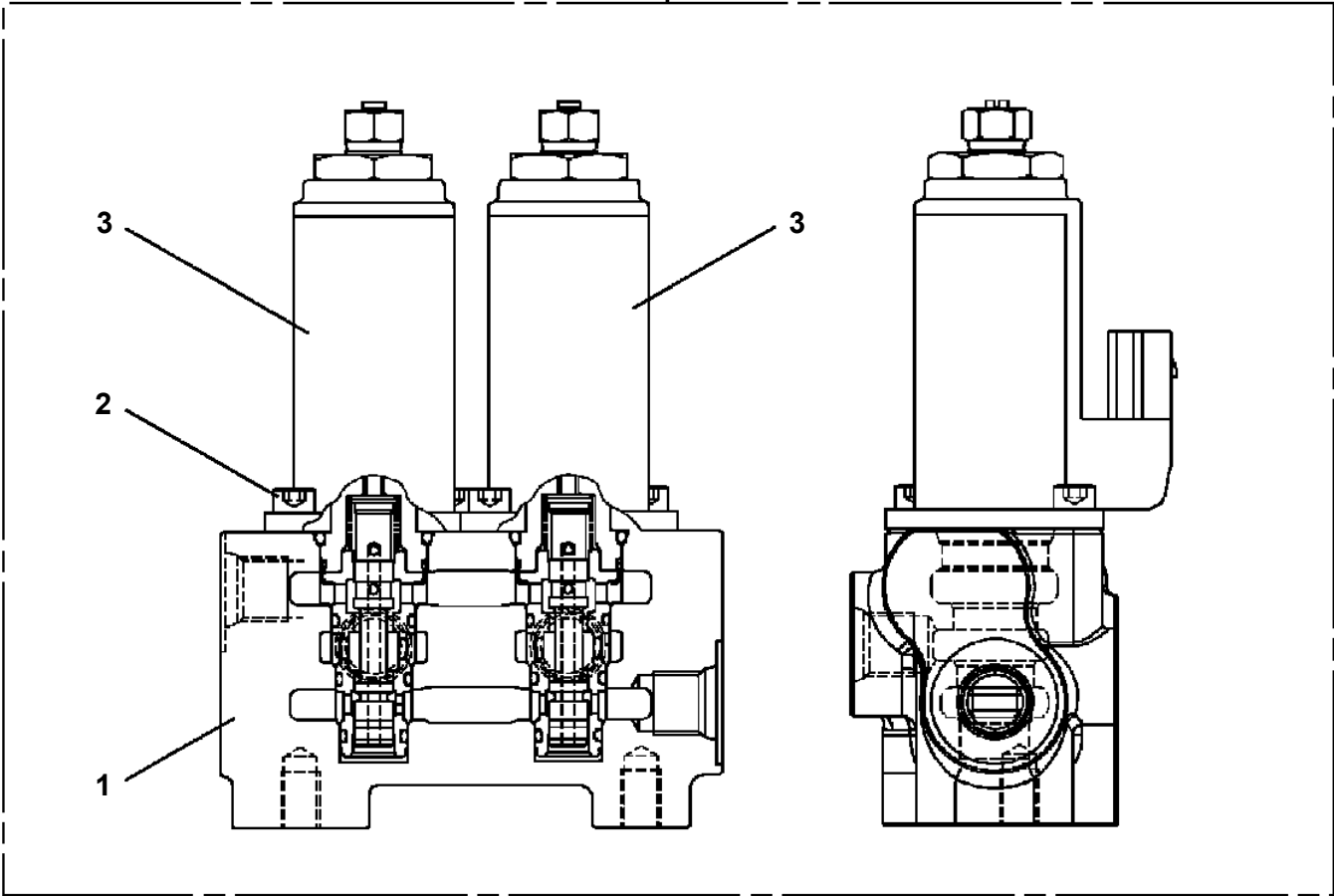


**GR-120N-2-00213 6 BOOM + 2 JIB(PT),X,4.9TON
PT5670001-00 TRANSMITTER ASSY,SIGNAL (LOWER)**

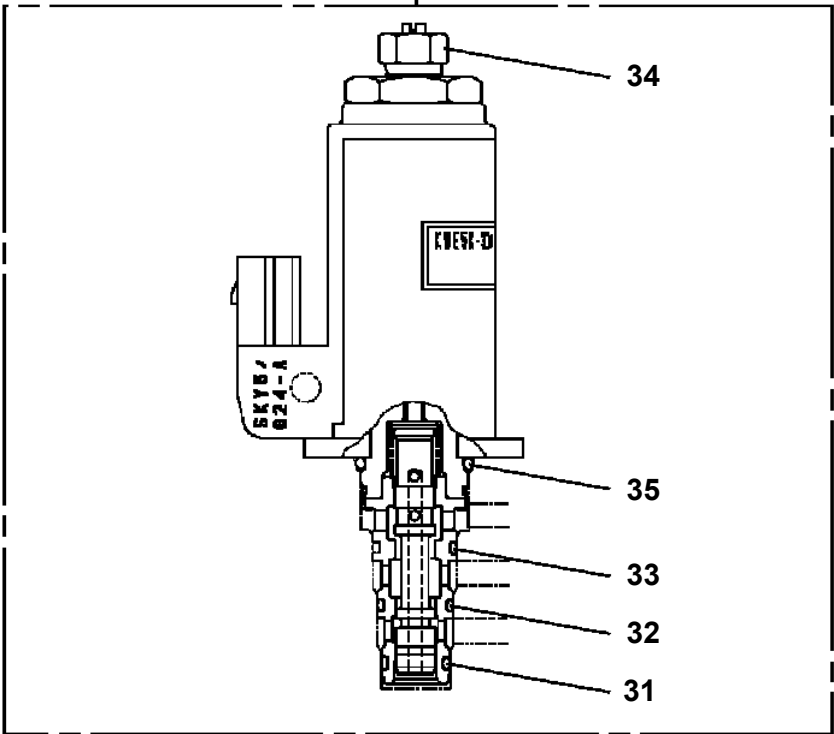


**GR-120N-2-00213 6 BOOM + 2 JIB(PT),X,4.9TON
PV5240013-00 VALVE ASSY,SOLENOID**

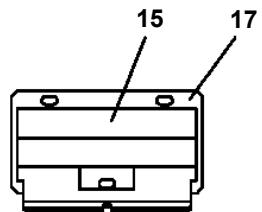
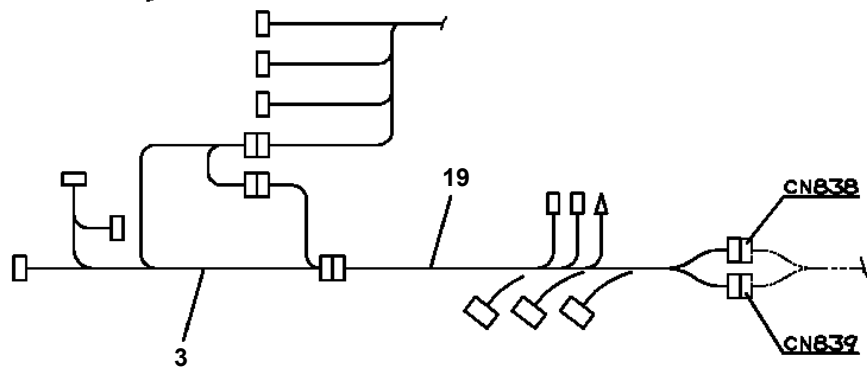
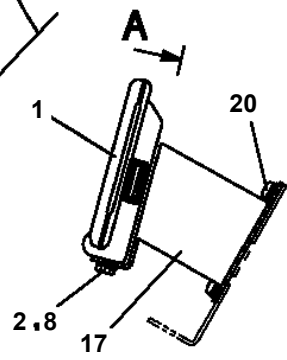
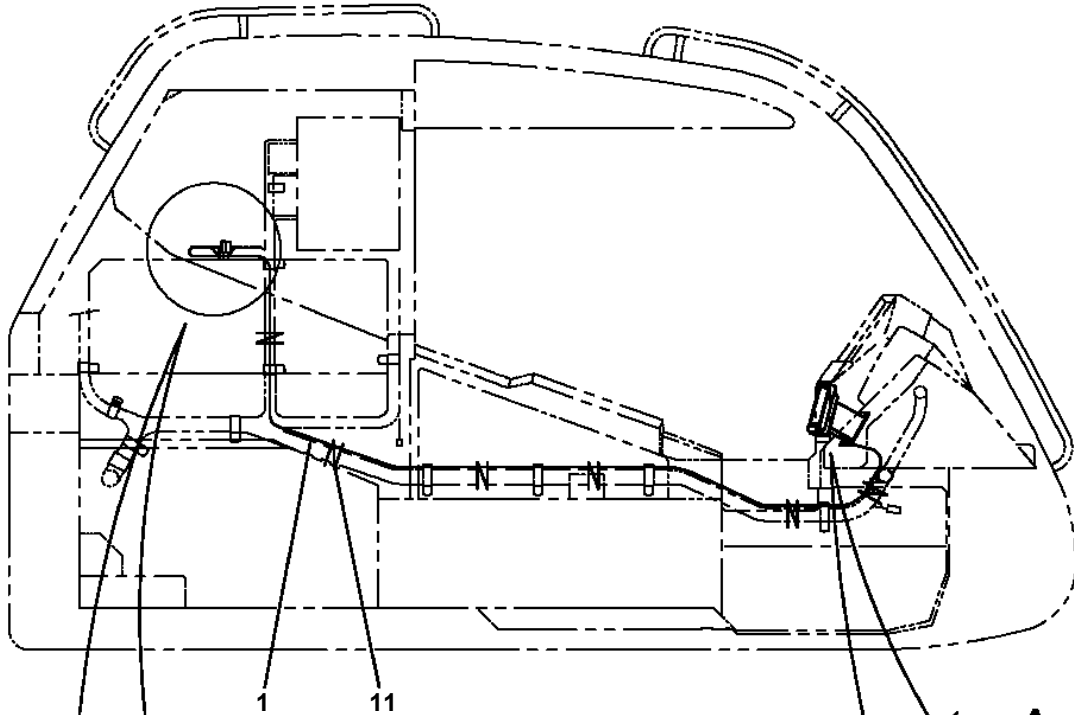
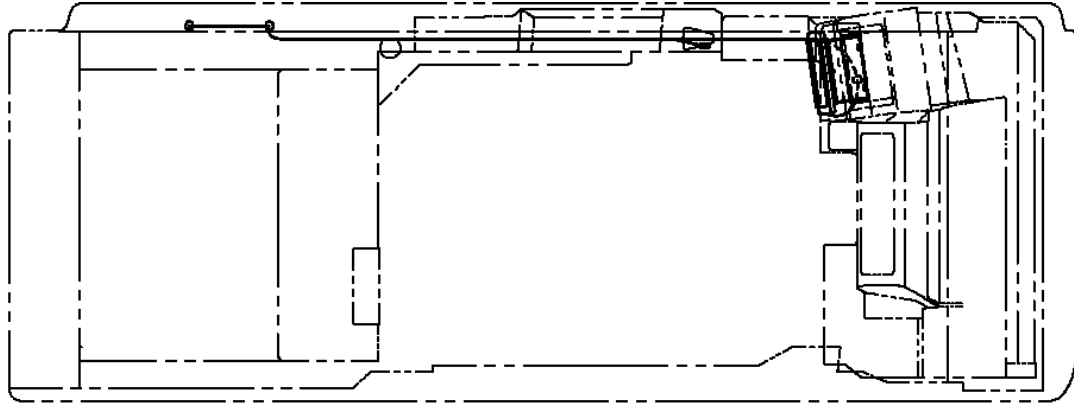
100



3

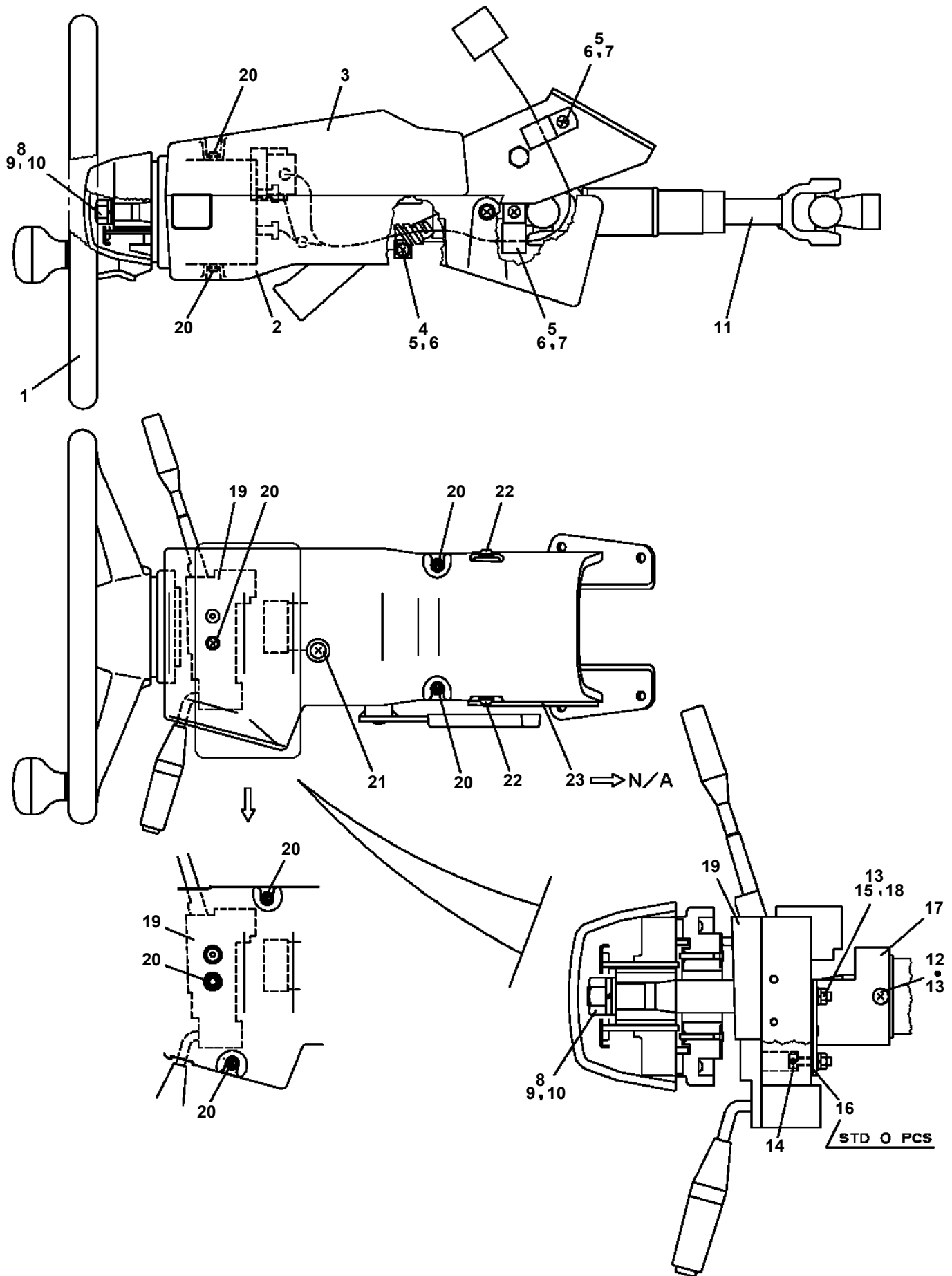


**GR-120N-2-00213 6 BOOM + 2 JIB(PT),X,4.9TON
PV5450099-00 VIEW SYSTEM (DISPLAY/INNER CAB)**



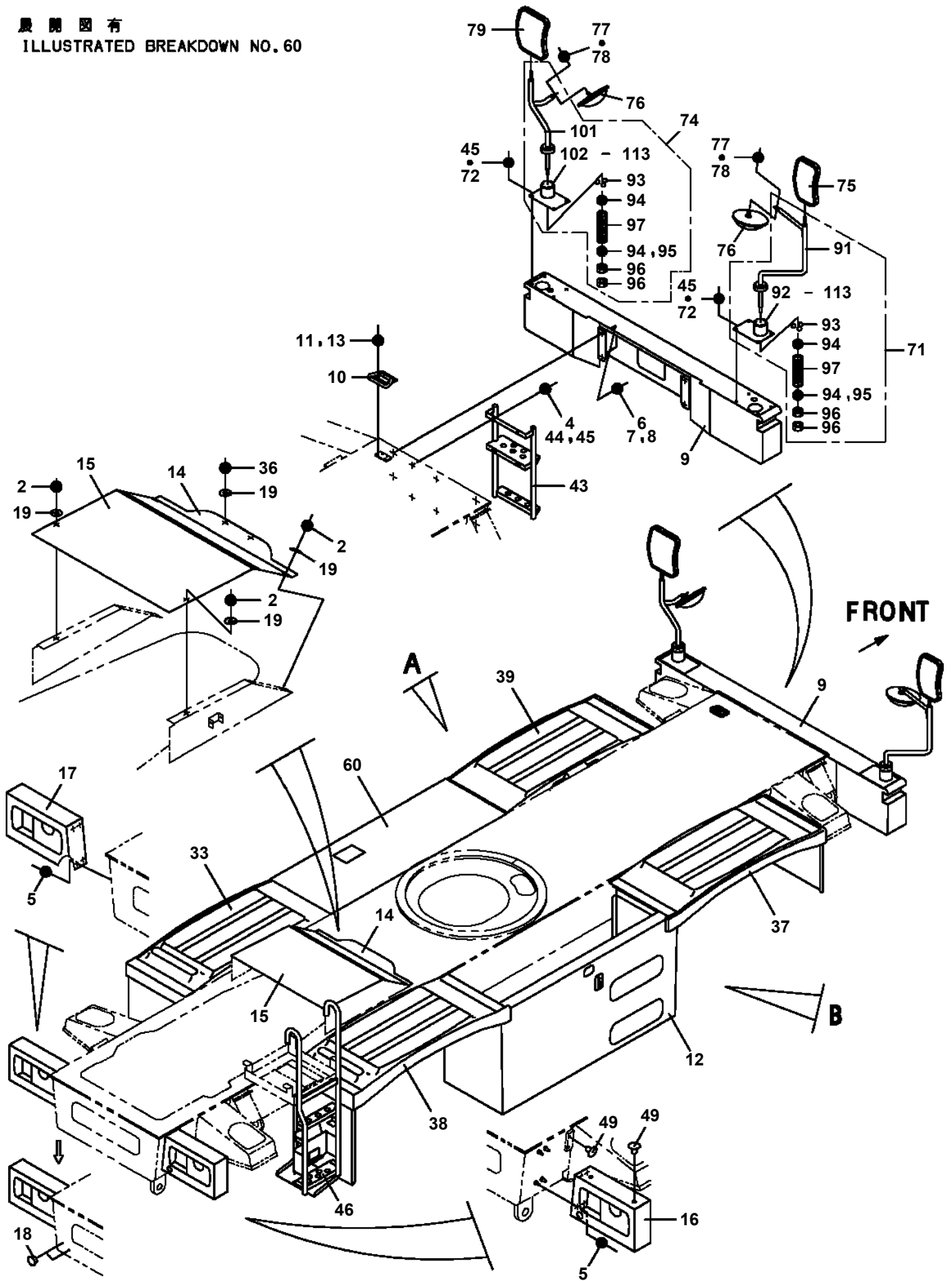
A

**GR-120N-2-00213 6 BOOM + 2 JIB(PT),X,4.9TON
PW5040002-03 WHEEL,STEERING**



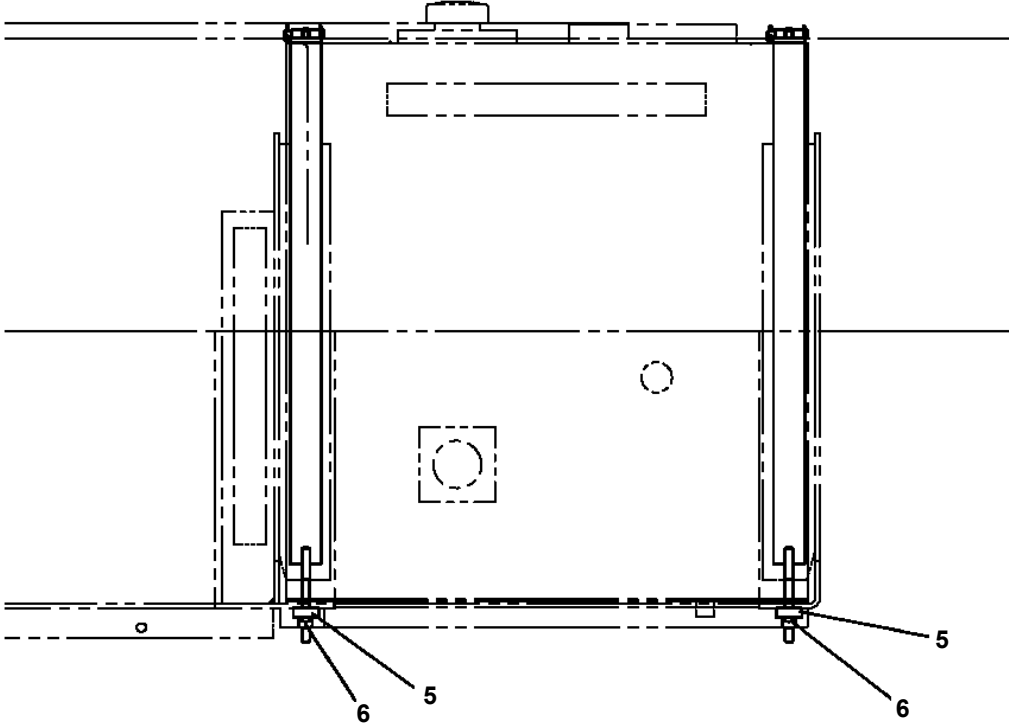
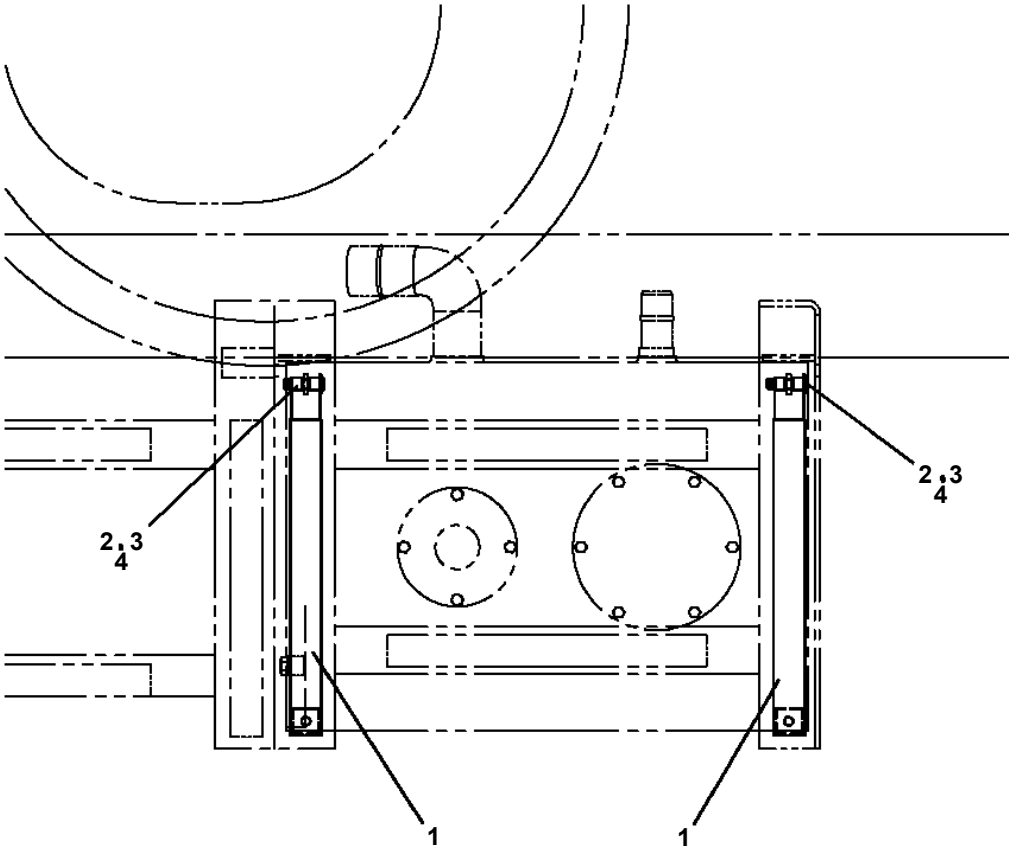
**GR-120N-2-00213 6 BOOM + 2 JIB(PT),X,4.9TON
PX1030734-02 FENDER**

展開圖有
ILLUSTRATED BREAKDOWN NO. 60



GR-120N-2-00213 6 BOOM + 2 JIB(PT),X,4.9TON
PX1100244-01 TANK SUPPORT (BAND)

→ FRONT



GR-120N-2-00213 6 BOOM + 2 JIB(PT),X,4.9TON

Pos No.	Parts No	Parts Name	Qty	Unit	Technical Data	Serial No (Start)	Serial No (End)	Remarks	Pages
1	90186210020	BOLT,FLANGE	8		M10X20				
2	34761946100	SUPPORT	2						
3	33731351000	BLOCK	4		500X500,H=90				
4	34478673000	BAND	2						
5	37000117490	PIN	2						
6	80620210100	PIN,SNAP	2						
7	90186210014	BOLT,FLANGE	8		M10X14				
8	34762593100	SUPPORT	2						
9	37000505950	PLATE	8		T=3.2				

GR-120N-2-00213 6 BOOM + 2 JIB(PT),X,4.9TON

Pos No.	Parts No	Parts Name	Qty	Unit	Technical Data	Serial No (Start)	Serial No (End)	Remarks	Pages
1	34762592100	SUPPORT	1						
2	90186210020	BOLT,FLANGE	8		M10X20				

CLICK HERE TO **DOWNLOAD** THE COMPLETE MANUAL

- Thank you very much for reading the preview of the manual.
- You can download the complete manual from: www.heydownloads.com by clicking the link below



- Please note: If there is no response to CLICKING the link, please download this PDF first and then click on it.

CLICK HERE TO **DOWNLOAD** THE COMPLETE MANUAL