

GR-1000-4-00102 5 BOOM + 2 JIB, 2M2D

PB5000062-00 HYDRAULIC PRESSURE SYSTEM
PB6000168-00 PIPING SYSTEM (UPPER)
PB6000171-00 PIPING SYSTEM (LOWER)
PC1000715-00 OUTRIGGER SYSTEM
PD1000689-00 SWING SYSTEM
PF1000825-00 WINCH SYSTEM
PG3000080-00 JIB SYSTEM
PG5000088-01 BOOM SYSTEM
PH5000088-00 SAFETY SYSTEM
PK1000892-00 FRAME
PK5000092-00 CAB SYSTEM
PM1000032-01 LUBRICATION DEVICES
PN1000826-01 ELECTRIC EQUIPMENT
PO1000150-00 INDICATION PLATES
PR5000101-00 DRIVING POWER SYSTEM
PS5000056-00 STEERING & SUSPENSION
PW1000097-02 ACCESSORIES & TOOLS
PX1001393-00 MOUNTING PARTS
PY1001973-01 OPTION UNIT,1
ASSEMBLY

CLICK HERE TO **DOWNLOAD** THE COMPLETE MANUAL

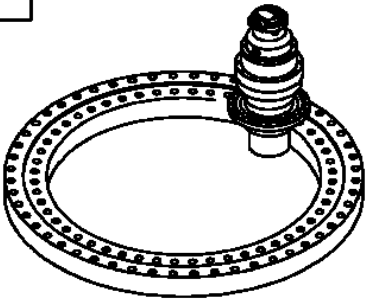
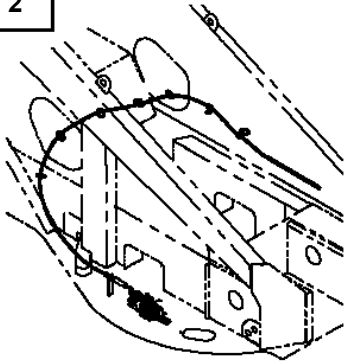
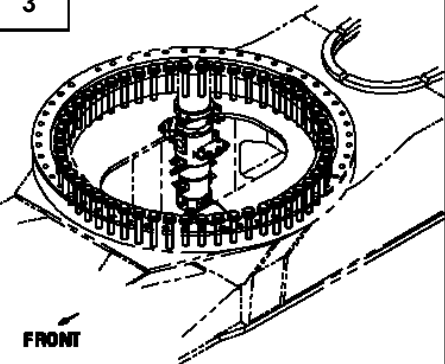
- Thank you very much for reading the preview of the manual.
- You can download the complete manual from: www.heydownloads.com by clicking the link below



- Please note: If there is no response to CLICKING the link, please download this PDF first and then click on it.

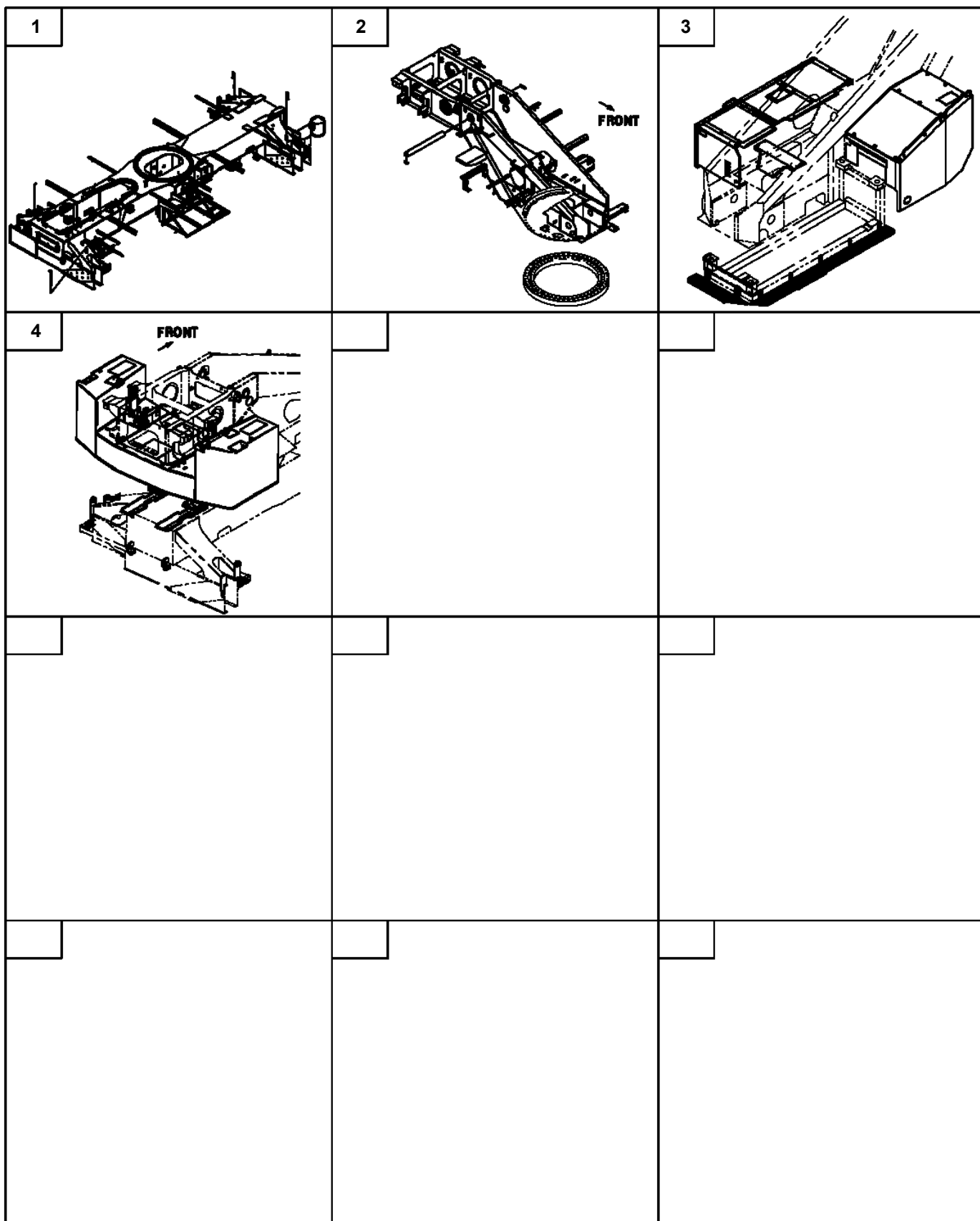
CLICK HERE TO **DOWNLOAD** THE COMPLETE MANUAL

GR-1000-4-00102 5 BOOM + 2 JIB, 2M2D
PD1000689-00 SWING SYSTEM

| | | |
|---|--|---|
| <p>1</p>  <p>FRONT</p> | <p>2</p>  <p>FRONT</p> | <p>3</p>  <p>FRONT</p> |
| | | |
| | | |
| | | |

適用製造番号によっては取り付けがないものもあります。
MACHINES OF SOME SERIAL NO. ARE NOT EQUIPPED WITH THESE PARTS.

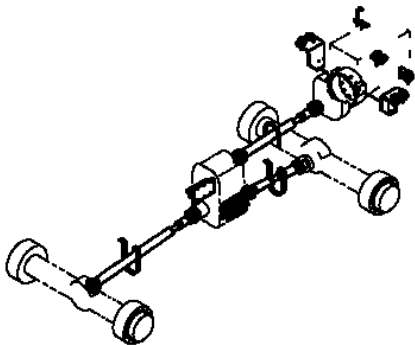
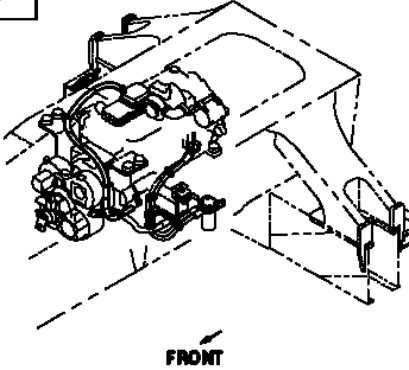
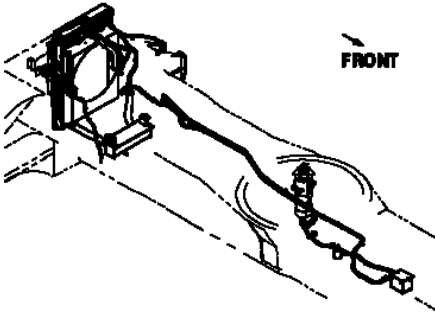
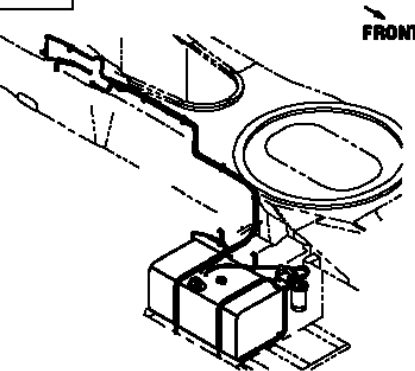
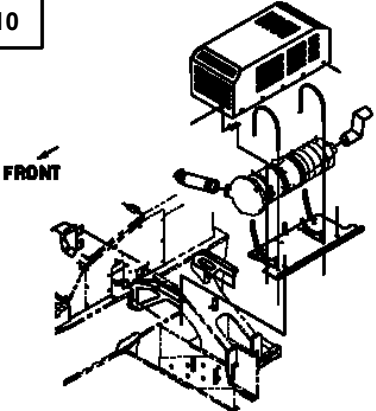
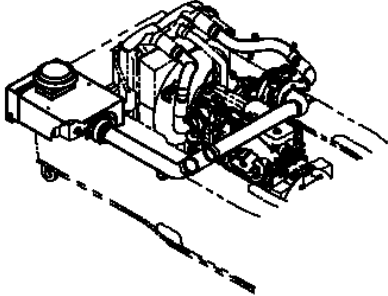
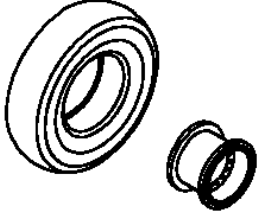
GR-1000-4-00102 5 BOOM + 2 JIB, 2M2D
PK1000892-00 FRAME



適用製造番号によっては取り付けがないものもあります。

MACHINES OF SOME SERIAL NO. ARE NOT EQUIPPED WITH THESE PARTS.

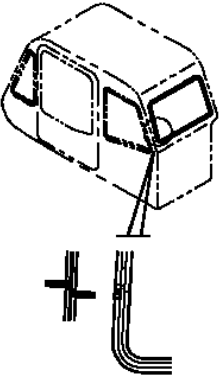
**GR-1000-4-00102 5 BOOM + 2 JIB, 2M2D
PR5000101-00 DRIVING POWER SYSTEM**

| | | |
|--|---|---|
| <p>1</p> <p>エンジンASSY ENGINE ASSY</p> | <p>2</p> <p>トルクコンバーターASSY TORQUE CONVERTER ASSY</p> | <p>3</p> <p>トランスミッションASSY TRANSMISSION ASSY</p> |
| <p>4</p> <p>アクスルASSY, フロント AXLE ASSY, FRONT</p> | <p>5</p> <p>アクスルASSY (リヤ/ノースピンツキ) AXLE ASSY (REAR/WITH NO SPIN)</p> | <p>6</p>  |
| <p>7</p>  <p>FRONT</p> | <p>8</p>  <p>FRONT</p> | <p>9</p>  <p>FRONT</p> |
| <p>10</p>  <p>FRONT</p> | <p>11</p>  <p>FRONT</p> | <p>12</p>  |

適用製造番号によっては取り付けがないものもあります。

MACHINES OF SOME SERIAL NO. ARE NOT EQUIPPED WITH THESE PARTS.

**GR-1000-4-00102 5 BOOM + 2 JIB, 2M2D
PY1001973-01 OPTION UNIT,1**

| <p>16</p> <p>ASSEMBLY (2P 444444444444/コード 5-4,2P) ELEC,ASBY (COMMON WIRING FOR OPTION/CORD REEL,JIB)</p> <table border="1"> <thead> <tr> <th>QTY</th> <th>DESCR</th> <th>DESCR</th> <th>QTY</th> </tr> </thead> <tbody> <tr> <td>1</td> <td>02-00000-000</td> <td>PARTS ASBY-ELECTRICITY</td> <td>0-00-0 CORD REEL</td> </tr> <tr> <td>2</td> <td>02-00000-000</td> <td>ELEC,ASBY-JIB</td> <td>02 JIB</td> </tr> <tr> <td>2</td> <td>02-00000-000</td> <td>SUPPORT ASBY</td> <td></td> </tr> <tr> <td>4</td> <td>02-00000-000</td> <td>BASE PLATE ASBY</td> <td></td> </tr> </tbody> </table> | QTY | DESCR | DESCR | QTY | 1 | 02-00000-000 | PARTS ASBY-ELECTRICITY | 0-00-0 CORD REEL | 2 | 02-00000-000 | ELEC,ASBY-JIB | 02 JIB | 2 | 02-00000-000 | SUPPORT ASBY | | 4 | 02-00000-000 | BASE PLATE ASBY | | <p>17</p>  | |
|--|--------------|------------------------|------------------|-----|---|--------------|------------------------|------------------|---|--------------|---------------|--------|---|--------------|--------------|--|---|--------------|-----------------|--|---|--|
| QTY | DESCR | DESCR | QTY | | | | | | | | | | | | | | | | | | | |
| 1 | 02-00000-000 | PARTS ASBY-ELECTRICITY | 0-00-0 CORD REEL | | | | | | | | | | | | | | | | | | | |
| 2 | 02-00000-000 | ELEC,ASBY-JIB | 02 JIB | | | | | | | | | | | | | | | | | | | |
| 2 | 02-00000-000 | SUPPORT ASBY | | | | | | | | | | | | | | | | | | | | |
| 4 | 02-00000-000 | BASE PLATE ASBY | | | | | | | | | | | | | | | | | | | | |
| | | | | | | | | | | | | | | | | | | | | | | |
| | | | | | | | | | | | | | | | | | | | | | | |
| | | | | | | | | | | | | | | | | | | | | | | |

適用製造番号によっては取り付けがないものもあります。

MACHINES OF SOME SERIAL NO. ARE NOT EQUIPPED WITH THESE PARTS.

GR-1000-4-00102 5 BOOM + 2 JIB, 2M2D

| Pos No. | Parts No | Parts Name | Qty | Unit | Technical Data | Serial No (Start) | Serial No (End) | Rem |
|---------|-------------|---------------------------|-----|------|----------------|-------------------|-----------------|-----|
| 1 | 36651905100 | PUMP ASSY (NO.1) | 1 | | | | | |
| 3 | 36651905200 | PUMP ASSY (NO.2) | 1 | | | | | |
| 12 | 91002909500 | O-RING | 2 | | 1B G95 | | | |
| 17 | 36650885030 | SEAL,OIL | 1 | | | | | |
| 18 | 36651235010 | SEAL,OIL | 1 | | | | | |
| 19 | 80602110480 | RING,RITAINING | 1 | | R48 | | | |
| 21 | 36650205020 | JOINT | 1 | | | | | |
| 22 | 91002905000 | O-RING | 1 | | 1B G50 | | | |
| 42 | 91002907500 | O-RING | 2 | | 1B G75 | | | |
| 50 | 36651900000 | PUMP,HYDRAULIC (STEERING) | 1 | | | | | |

GR-1000-4-00102 5 BOOM + 2 JIB, 2M2D

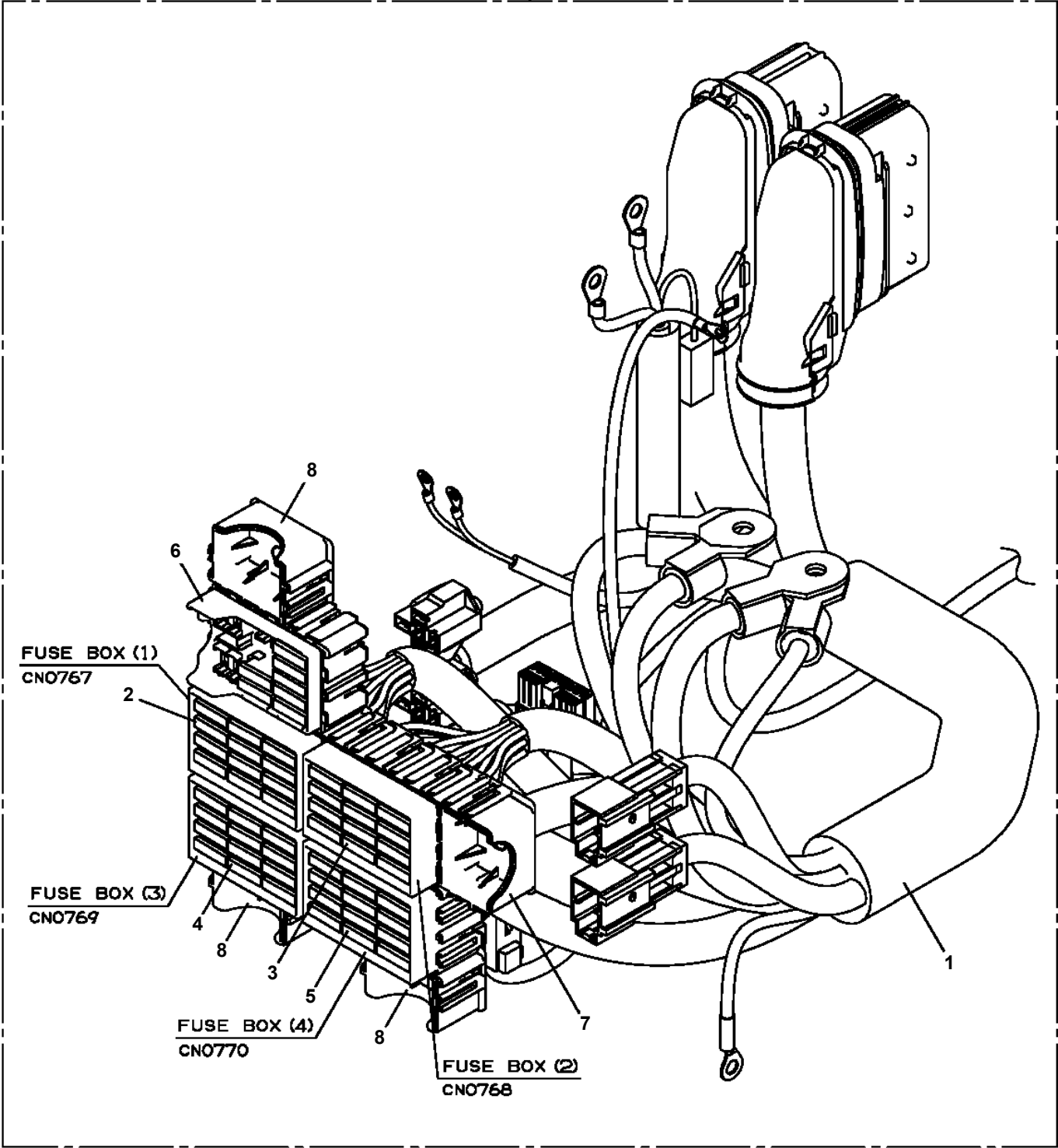
| Pos No. | Parts No | Parts Name | Qty | Unit | Technical Data | Serial No (Start) | Serial No (End) |
|---------|-------------|---------------------------|-----|------|----------------|-------------------|-----------------|
| 66 | 34203000250 | SHIM | N | | T=1 | | |
| 67 | 34203000260 | SHIM | N | | T=0.6 | | |
| 83 | (*****) | SUPPORT ASSY (BOOM,2ND) | 1 | | | | |
| 102 | 80513006004 | BEARING,BALL | 2 | | | | |
| 122 | 80530000224 | BEARING,BALL (KOYO SEIKO) | 2 | | | | |
| | 80530000222 | BEARING,BALL (NACHI) | 2 | | | | |
| | 31205310110 | BEARING,BALL (IP) | 2 | | | | |
| 141 | 34200800200 | SUPPORT | 1 | | | | |
| 142 | 90202403300 | NUT | 2 | | M33 | | |
| 143 | 34200800150 | SUPPORT | 1 | | | | |
| 144 | 90101512025 | BOLT | 2 | | M12X25 | | |
| 145 | 90302041201 | WASHER,SPRING | 2 | | 12 | | |
| 146 | 90303071201 | WASHER,PLAIN | 2 | | 12 | | |
| 147 | 37000143740 | PIN | 2 | | | | |
| 148 | 80601110450 | RING,RITAINING | 2 | | S45 | | |
| 149 | 37001006300 | SHEAVE ASSY | 1 | | | | |
| 150 | 37001006280 | SHEAVE ASSY | 1 | | | | |
| 151 | 37000303560 | SPACER | 4 | | L=3 | | |
| 152 | 37000184010 | PIN | 1 | | 10 | | |
| 153 | 80136332020 | PIN,SPLIT | 1 | | 3.2X20 | | |
| 165 | 34202192800 | SUPPORT | 1 | | | | |
| 169 | 34202192070 | SUPPORT | 1 | | | | |
| 191 | 80576100209 | BEARING,BALL | 2 | | | | |

GR-1000-4-00102 5 BOOM + 2 JIB, 2M2D

| Pos No. | Parts No | Parts Name | Qty | Unit | Technical Data | Serial No (Start) | Serial No (End) |
|---------|-------------|---------------|-----|------|----------------|-------------------|-----------------|
| 182 | 80801003020 | BEARING,PLAIN | 4 | | | | |

GR-1000-4-00102 5 BOOM + 2 JIB, 2M2D
PB5260193-00 BOX ASSY (FUSE)

100



展開図有
ILLUSTRATED BREAKDOWN NO.2,3,4,5

GR-1000-4-00102 5 BOOM + 2 JIB, 2M2D

| Pos No. | Parts No | Parts Name | Qty | Unit | Technical Data | Serial No (Start) | Serial No (End) | Remarks |
|---------|-------------|----------------------|-----|------|----------------|-------------------|-----------------|---------|
| 1 | (*****) | BOX ASSY (L) | 1 | | | | | |
| 2 | 34320901200 | COVER | 1 | | | | | |
| 3 | 34320901300 | SUPPORT | 1 | | | | | |
| 4 | 34320901401 | SHAFT | 2 | | | | | |
| 5 | 82108503280 | SWITCH | 1 | | | | | |
| 6 | 80176404012 | SCREW,MACHINE | 4 | | M4X12 | | | |
| 7 | 90305260401 | WASHER | 4 | | 4 | | | |
| 8 | 90280200800 | NUT,FLANGE | 1 | | M8 | | | |
| 10 | 90186208020 | BOLT,FLANGE | 4 | | M8X20 | | | |
| 11 | 37002484900 | HOSE | 1 | | L=710 | | | |
| 12 | 37002450620 | HOSE | 1 | | L=650 | | | |
| 13 | 80400160127 | JOINT | 5 | | | | | |
| 14 | 91002801100 | O-RING | 5 | | 1B P11 | | | |
| 15 | 37012401900 | HOSE | 2 | | L=780 | | | |
| 16 | 37012401870 | HOSE | 2 | | L=750 | | | |
| 17 | 90186206010 | BOLT,FLANGE | 1 | | M6X10 | | | |
| 18 | 82114101020 | CONNECTOR (2P,MALE) | 2 | | | | | |
| 19 | 82100002008 | CLAMP | 1 | | WR12 | | | |
| 21 | 90203501200 | NUT | 4 | | M12 | | | |
| 22 | 36634920000 | VALVE,CONTROL | 1 | | | | | |
| 23 | 36672460000 | FILTER (NIPPLE TYPE) | 1 | | | | | |
| 24 | 37002510460 | HOSE | 1 | | L=15 | | | |
| 25 | 34320904201 | KNOB (RED) | 1 | | | | | |
| 26 | 82101700412 | SWITCH,PUSH | 2 | | | | | |
| 27 | 82111101010 | TERMINAL | 4 | | | | | |
| 28 | 82121102020 | HOLDER | 2 | | | | | |
| 29 | 82121101030 | PLUG | 4 | | | | | |
| 32 | 34320903800 | CAP | 1 | | | | | |
| 33 | 34322471100 | KNOB | 1 | | | | | |
| 34 | 34321691110 | SOLENOID | 1 | | | | | |
| 35 | 34322471201 | KNOB | 1 | | | | | |
| 36 | 90303071201 | WASHER,PLAIN | 1 | | 12 | | | |
| 37 | 82100000192 | TERMINAL | 1 | | | | | |
| 38 | 82100000182 | INSULATOR | 1 | | | | | |
| 39 | 82100000191 | TERMINAL | 1 | | | | | |
| 40 | 82100000183 | INSULATOR | 1 | | | | | |
| 41 | 91810130230 | FASTENER | 1 | | | | | |
| 42 | 82141921070 | CABLE | N | | | | | |
| 43 | 82100001411 | TUBE,SPIRAL | N | | SE-08BK | | | |
| 44 | 91810130240 | FASTENER | 1 | | | | | |
| 64 | 91002801100 | O-RING | 1 | | 1B P11 | | | |

GR-1000-4-00102 5 BOOM + 2 JIB, 2M2D

| Pos No. | Parts No | Parts Name | Qty | Unit | Technical Data | Serial No (Start) | Serial No (End) |
|---------|-------------|-----------------------------------|-----|------|----------------|-------------------|-----------------|
| 1 | (*****) | CAB ASSY (STD) | 1 | | | | |
| 2 | (*****) | SWING TABLE ASSY | 1 | | | | |
| 4 | (*****) | OPE.ASSY,CONT.VALVE (ISO/TACTILE) | 1 | | | | |
| 5 | (*****) | ELEC.ASSY (CAB) | 1 | | | | |
| 7 | 36172070000 | CONTROLLER (DCU2) | 1 | | | | |
| 8 | 36199700000 | MOMENT LIMITER:AML | 1 | | | | |
| 9 | (*****) | ELEC.ASSY (GSMT+SCT) | 1 | | | | |
| 10 | (*****) | NAME PLATE ASSY (CAB/ENGLISH) | 1 | | | | |
| 11 | 36173080000 | DISPLAY (MFD) | 1 | | | | |
| 12 | 36173170000 | CONTROLLER (TTC-60) | 1 | | | | |
| 13 | (*****) | MOUNT ASSY (BACK SONAR) | 1 | | | | |

GR-1000-4-00102 5 BOOM + 2 JIB, 2M2D

| Pos No. | Parts No | Parts Name | Qty | Unit | Technical Data | Serial No (Start) | Serial No (End) | Remarks | Pages |
|---------|-------------|------------|-----|------|----------------|-------------------|-----------------|---------|-------|
| 2 | 34382787510 | BRACKET | 1 | | | | | | |
| 3 | 34382787520 | NUT,FLANGE | 2 | | M5 | | | | |
| 4 | 34382787530 | SCREW | 2 | | M5X14 | | | | |
| 5 | 34382787540 | SCREW | 2 | | M3X6 | | | | |
| 6 | 34382787550 | GROMMET | 1 | | | | | | |
| 100 | 34382780100 | CAMERA | 1 | | | | | | |

GR-1000-4-00102 5 BOOM + 2 JIB, 2M2D

| Pos No. | Parts No | Parts Name | Qty | Unit | Technical Data | Serial No (Start) | Serial No (End) |
|---------|-------------|---------------------------------|-----|------|----------------|-------------------|-----------------|
| 1 | 36320565111 | COMPRESSOR | 1 | | | | |
| 2 | 36321345010 | BASE | 1 | | | | |
| 3 | 36320452050 | CUSHION (ISOLATOR) | 4 | | | | |
| 4 | 36320455800 | BRACKET | 1 | | | | |
| 5 | 36320562040 | PULLEY (OIL MOTOR) | 1 | | | | |
| 6 | 36320562050 | WASHER (OIL MOTOR AXIS STOPPER) | 1 | | | | |
| 7 | 36320562260 | BELT (V) | 1 | | | | |
| 11 | 36320565131 | BOLT | 2 | | M10X25 | | |
| 12 | 36320565141 | BOLT | 4 | | M10X35 | | |
| 13 | 90280211000 | NUT,FLANGE | 2 | | M10X1.25 | | |
| 14 | 90302040801 | WASHER,SPRING | 1 | | 8 | | |
| 15 | 36320455910 | BOLT | 1 | | | | |
| 100 | 36321342020 | COMPRESSOR ASSY | 1 | | | | |

GR-1000-4-00102 5 BOOM + 2 JIB, 2M2D

| Pos No. | Parts No | Parts Name | Qty | Unit | Technical Data | Serial No (Start) | Serial No (End) | Remarks | P |
|---------|-------------|---------------------|-----|------|----------------|-------------------|-----------------|---------|---|
| 100 | 36173170000 | CONTROLLER (TTC-60) | 1 | | | | | | |

GR-1000-4-00102 5 BOOM + 2 JIB, 2M2D

| Pos No. | Parts No | Parts Name | Qty | Unit | Technical Data | Serial No (Start) | Serial No (End) | Remarks |
|---------|-------------|-----------------------|-----|------|----------------|-------------------|-----------------|---------|
| 22 | 34694219510 | COVER (NON-SLIP) | 1 | | | | | |
| 23 | 90186208016 | BOLT,FLANGE | 4 | | M8X16 | | | |
| 100 | 34694211800 | COVER ASSY (NON SLIP) | 1 | | | | | |

GR-1000-4-00102 5 BOOM + 2 JIB, 2M2D

| Pos No. | Parts No | Parts Name | Qty | Unit | Technical Data | Serial No (Start) | Serial No (End) | Remarks | Pages |
|---------|-------------|-------------|-----|------|----------------|-------------------|-----------------|---------|-------|
| 1 | 34694244100 | COVER | 1 | | | | | | |
| 2 | 90186210020 | BOLT,FLANGE | 4 | | M10X20 | | | | |
| 3 | 37000505950 | PLATE | 4 | | T=3.2 | | | | |
| 4 | 34694244200 | SUPPORT | 1 | | | | | | |

GR-1000-4-00102 5 BOOM + 2 JIB, 2M2D

| Pos No. | Parts No | Parts Name | Qty | Unit | Technical Data | Serial No (Start) | Serial No (End) | Remarks | Pages |
|---------|-------------|---------------|-----|------|----------------|-------------------|-----------------|---------|--------|
| 1 | 34694212100 | COVER | 1 | | | | | | 000081 |
| 2 | 90101208020 | BOLT | 9 | | M8X20 | | | | |
| 3 | 90201200800 | NUT | 6 | | M8 | | | | |
| 4 | 90302040801 | WASHER,SPRING | 9 | | 8 | | | | |
| 5 | 90303070801 | WASHER,PLAIN | 15 | | 8 | | | | |
| 6 | 34694212400 | COVER | 1 | | | | | | 000084 |
| 7 | 90186206014 | BOLT,FLANGE | 1 | | M6X14 | | | | |
| 8 | 37000547660 | PLATE | 1 | | T=2.3 | | | | |
| 9 | 34694212200 | COVER (L) | 1 | | | | | | 000082 |
| 10 | 34694212300 | COVER (R) | 1 | | | | | | 000083 |

GR-1000-4-00102 5 BOOM + 2 JIB, 2M2D

| Pos No. | Parts No | Parts Name | Qty | Unit | Technical Data | Serial No (Start) | Serial No (End) |
|---------|-------------|--------------------------------|-----|------|----------------|-------------------|-----------------|
| 100 | 37002712200 | CABLE (BATTERY--BATTERY RELAY) | 1 | | | | |

GR-1000-4-00102 5 BOOM + 2 JIB, 2M2D

| Pos No. | Parts No | Parts Name | Qty | Unit | Technical Data | Serial No (Start) | Serial No (End) | Remarks | Pages |
|---------|-------------|------------|-----|------|----------------|-------------------|-----------------|---------|-------|
| 2 | 34694212120 | INSULATOR | 1 | | | | | | |
| 100 | 34694212100 | COVER | 1 | | | | | | |

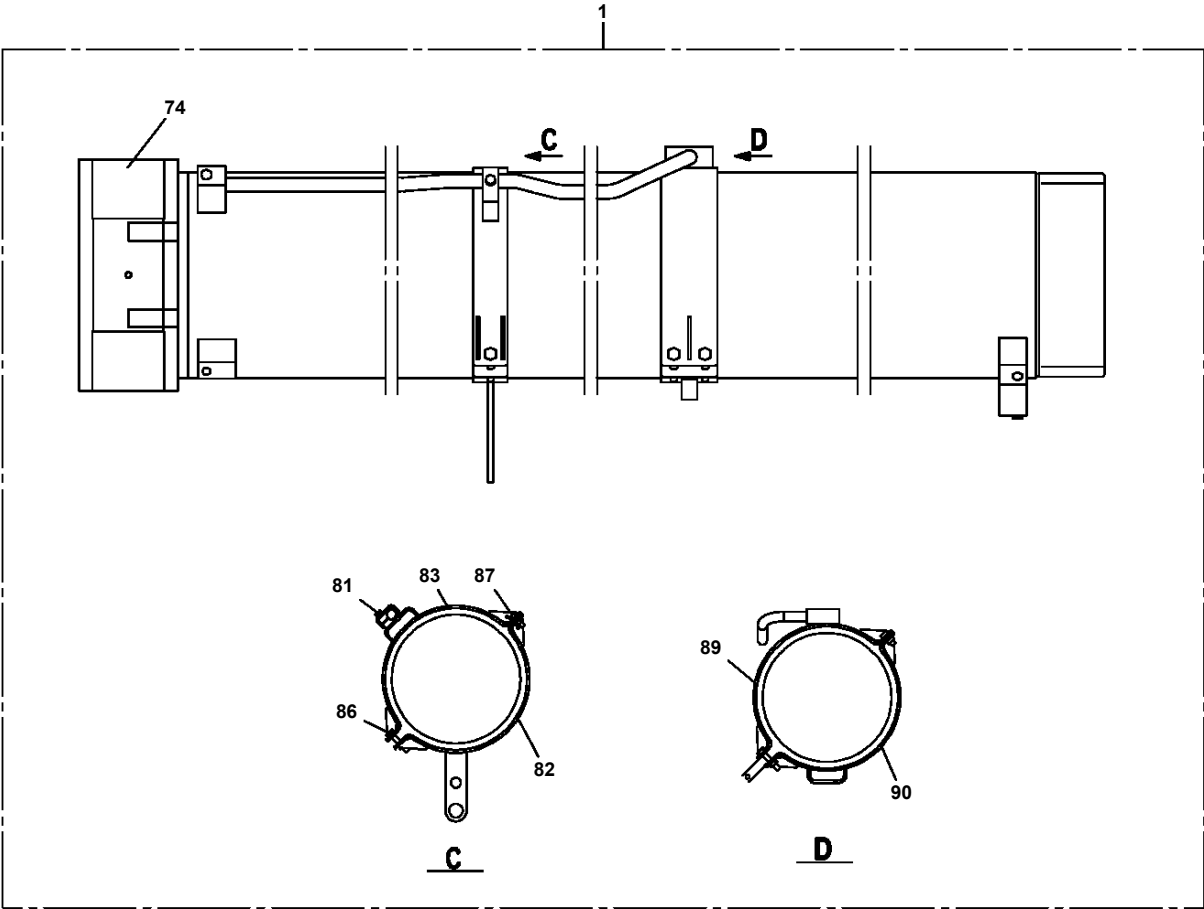
GR-1000-4-00102 5 BOOM + 2 JIB, 2M2D

| Pos No. | Parts No | Parts Name | Qty | Unit | Technical Data | Serial No (Start) | Serial No (End) | Remarks | Pages |
|---------|-------------|------------|-----|------|----------------|-------------------|-----------------|---------|-------|
| 3 | 34694211220 | CUSHION | 1 | | | | | | |
| 4 | 34694211230 | CUSHION | 2 | | | | | | |
| 5 | 34694211290 | RUBBER | 1 | | | | | | |
| 6 | 34694211390 | RUBBER | 1 | | | | | | |
| 100 | 34694211200 | COVER (L) | 1 | | | | | | |

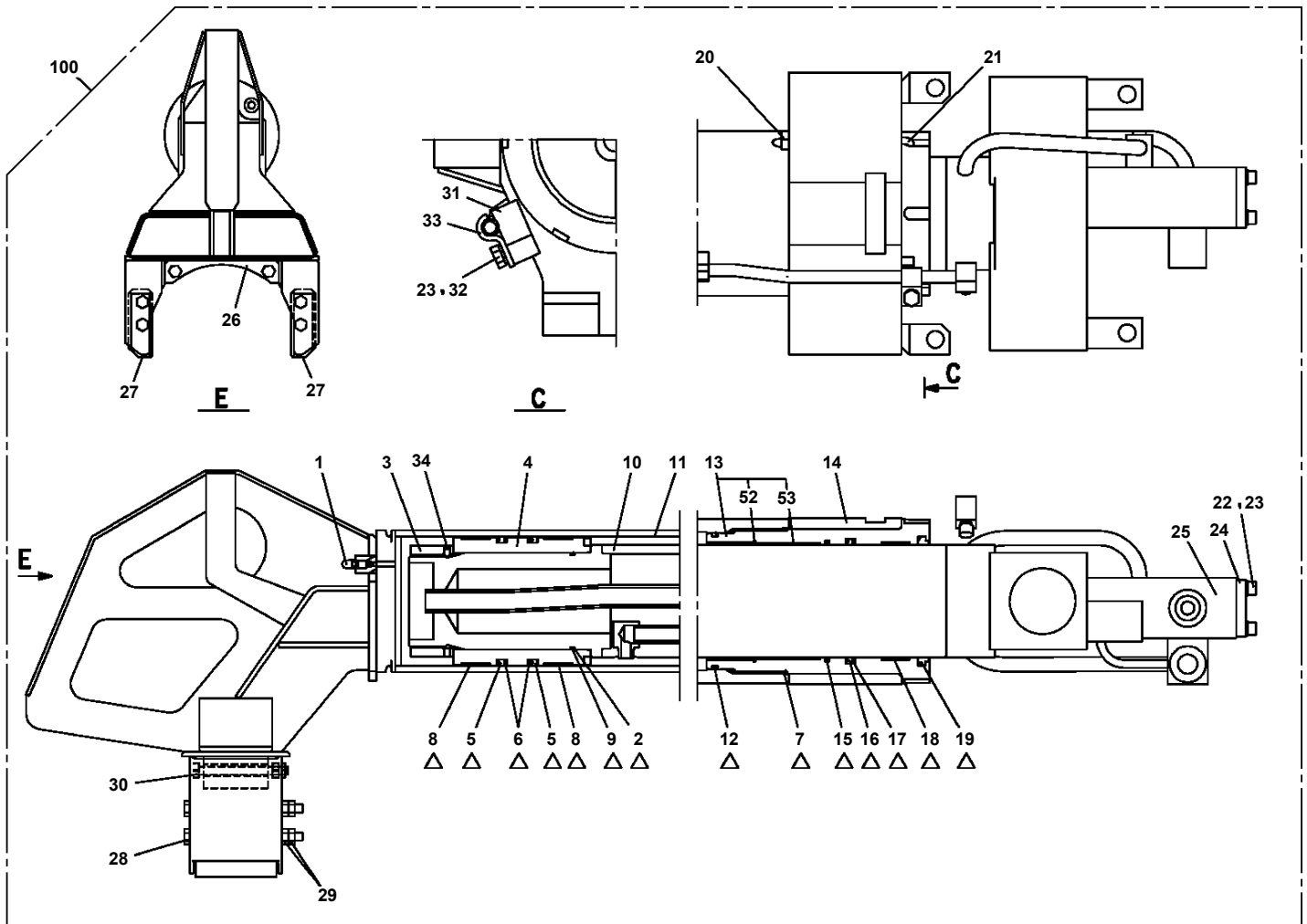
GR-1000-4-00102 5 BOOM + 2 JIB, 2M2D

| Pos No. | Parts No | Parts Name | Qty | Unit | Technical Data | Serial No (Start) | Serial No (End) | Remark |
|---------|-------------|--------------------------|-----|------|----------------|-------------------|-----------------|--------|
| 1 | 91660003001 | SEAL,DUST | 1 | | | | | |
| 3 | 91694003000 | PACKING | 1 | | | | | |
| 4 | 91002803900 | O-RING | 1 | | 1B P39 | | | |
| 5 | 36041541000 | COVER,ROD | 1 | | | | | |
| 6 | 36054709510 | CYLINDER ASSY | 1 | | | | | |
| 7 | 36054702000 | ROD | 1 | | | | | |
| 8 | 36050920300 | PISTON | 1 | | | | | |
| 9 | 91684004000 | PACKING | 2 | | | | | |
| 10 | 80136340032 | PIN,SPLIT | 1 | | 4X32 | | | |
| 11 | 90236401600 | NUT,CASTLE | 1 | | M16 H | | | |
| 12 | 80801002520 | BEARING,PLAIN | 1 | | | | | |
| 13 | 91002801800 | O-RING | 1 | | 1B P18 | | | |
| 14 | 80535200250 | END | 1 | | | | | |
| | 80535200251 | END | 1 | | | RA0695 | RA0694 | |
| 15 | 91411203001 | RING,BACKUP | 3 | | | | | |
| 16 | 90209202400 | NUT | 1 | | M24 | | | |
| 90 | 36051379900 | PACKING SET | 1 | | 30X40 | | | |
| 100 | 36054700000 | CYLINDER ASSY (CAB TILT) | 1 | | | | | |

GR-1000-4-00102 5 BOOM + 2 JIB, 2M2D
PC6370068-00 CYLINDER ASSY,DERRICK

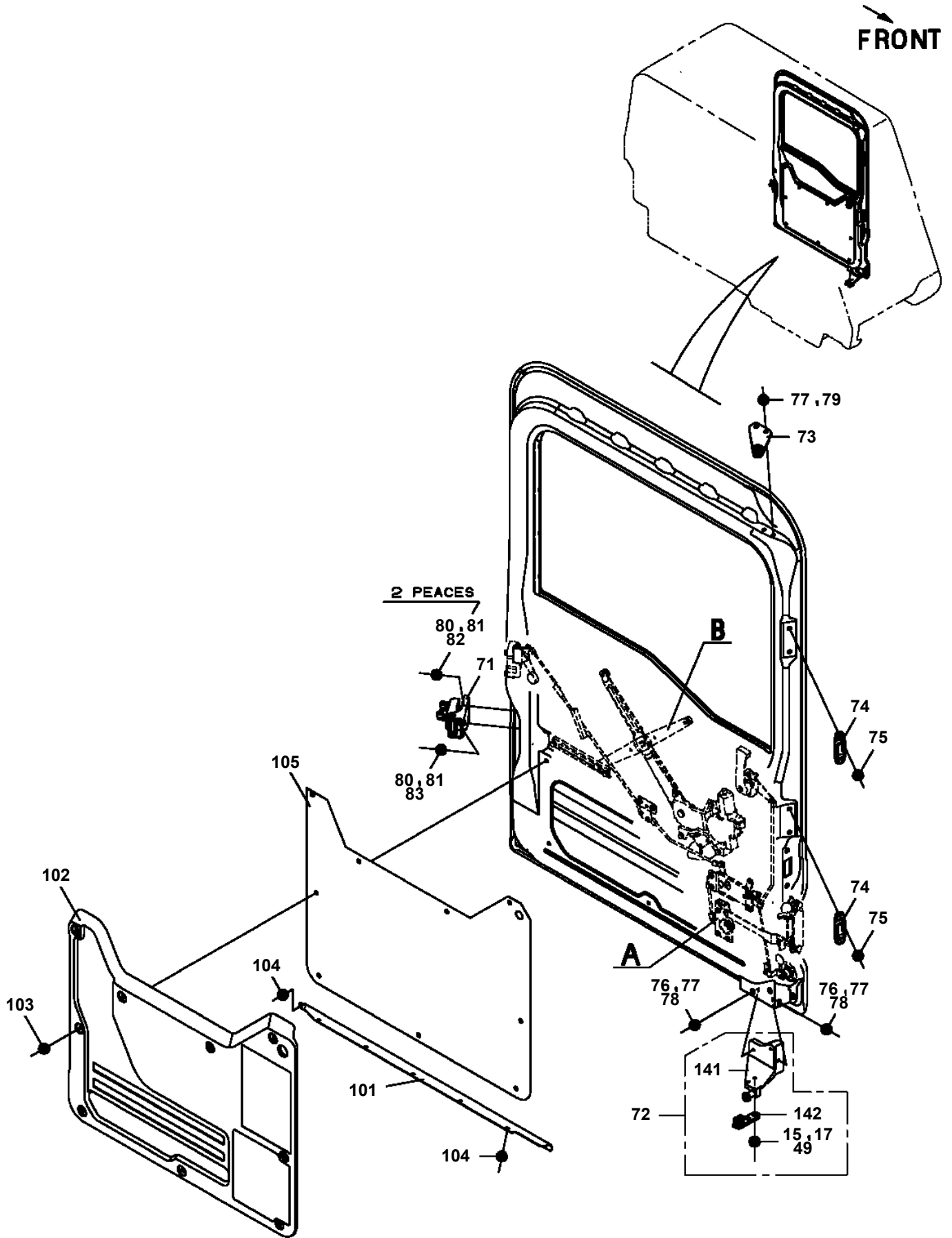


**GR-1000-4-00102 5 BOOM + 2 JIB, 2M2D
PC6470179-00 CYLINDER ASSY,TELESCOPING (NO.1)**

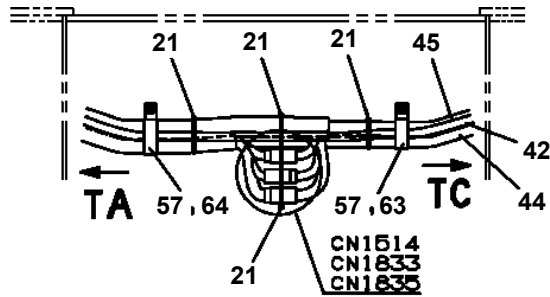


△:PACKING SET KEY NO.90 (KEY NO.2,5,6,7,8,9,12,15,16,17,18,19)

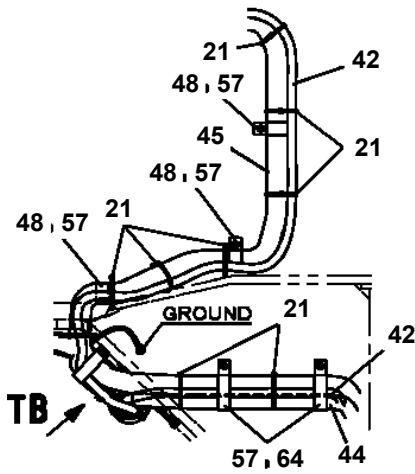
GR-1000-4-00102 5 BOOM + 2 JIB, 2M2D
PD5200011-00 DOOR ASSY



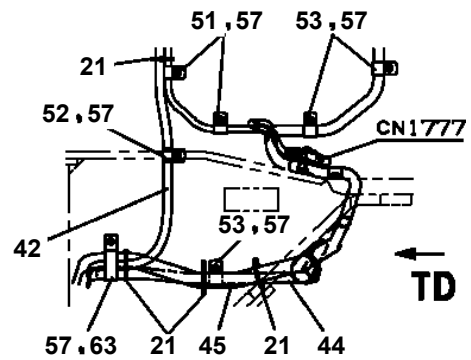
GR-1000-4-00102 5 BOOM + 2 JIB, 2M2D
 PE5021419-00 ELEC.ASSY (LOWER)



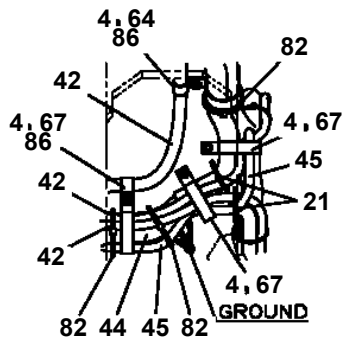
I



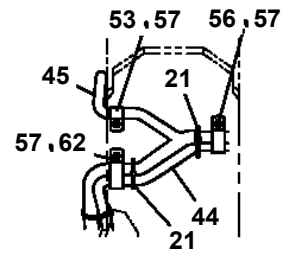
TA



TC

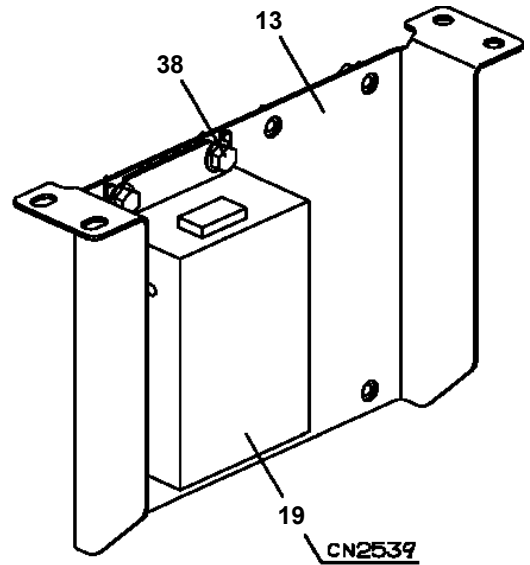


TB

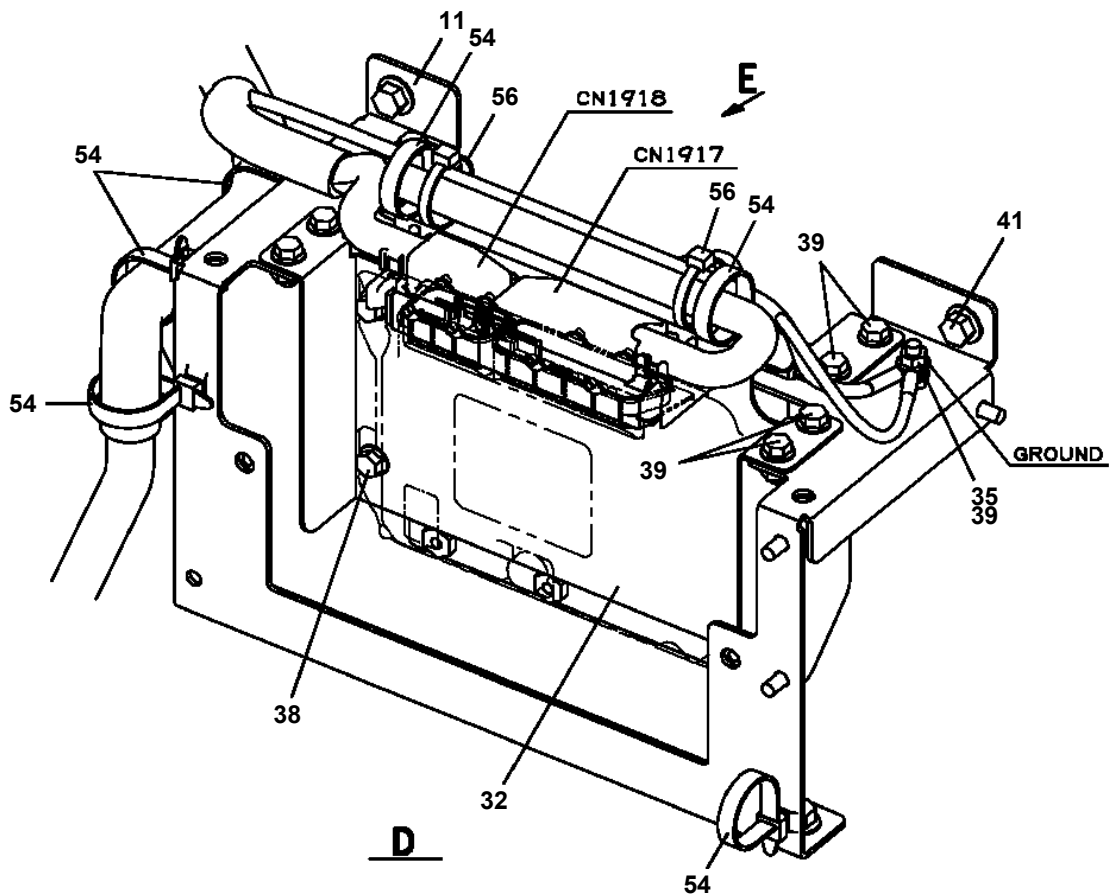


TD

GR-1000-4-00102 5 BOOM + 2 JIB, 2M2D
PE5021426-01 ELEC.ASSY (CAB)



E



D

GR-1000-4-00102 5 BOOM + 2 JIB, 2M2D

| Pos No. | Parts No | Parts Name | Qty | Unit | Technical Data | Serial No (Start) | Serial No (End) | Remarks |
|---------|-------------|----------------------|-----|------|----------------|-------------------|-----------------|---------|
| 1 | 34263087100 | HARNES | 1 | | | | | |
| 2 | 34260952310 | JUNCTION (BODY SIDE) | 1 | | | | | |
| 3 | 80192486025 | SCREW,MACHINE | 2 | | M6X25 | | | |
| 4 | 34261887100 | SWITCH (DOOR) | 1 | | | | | |
| 5 | 90180105012 | BOLT,BUTTON | 2 | | | | | |
| 6 | 91860210130 | CLAMP | 2 | | 10-30 | | | |
| 7 | 80192486016 | SCREW,MACHINE | 1 | | M6X16 | | | |
| 8 | 82183901010 | CONDENSER | 1 | | | | | |
| 9 | 91850310305 | CLAMP | 4 | | | | | |
| 10 | 91810130240 | FASTENER | 4 | | | | | |
| 11 | 82400000135 | GROMMET | 1 | | | | | |
| 12 | 82400000200 | GROMMET | 1 | | KG-012,L=250 | | | |
| 13 | 82100000956 | GROMMET | 1 | | SG-36A | | | |
| 14 | 82466302120 | GROMMET | 1 | | | | | |

GR-1000-4-00102 5 BOOM + 2 JIB, 2M2D

| Pos No. | Parts No | Parts Name | Qty | Unit | Technical Data | Serial No (Start) | Serial No (End) | Remarks | Pages |
|---------|-------------|---------------|-----|------|----------------|-------------------|-----------------|---------|-------|
| 1 | 34784050100 | PIPE | 1 | | | | | | |
| 2 | 34784050200 | COVER | 1 | | | | | | |
| 3 | 34784050500 | BAND | 2 | | | | | | |
| 5 | 90201201000 | NUT | 6 | | M10 | | | | |
| 7 | 90303071001 | WASHER,PLAIN | 13 | | 10 | | RA0979 | | |
| | 90303071001 | WASHER,PLAIN | 12 | | 10 | RA0980 | | | |
| 8 | 90101210025 | BOLT | 15 | | M10X25 | | | | |
| 9 | 90302041001 | WASHER,SPRING | 15 | | 10 | | | | |
| 12 | 34784050700 | SUPPORT | 1 | | | | | | |
| 13 | 34784050800 | SUPPORT | 1 | | | | RA0979 | | |
| | 34784050801 | SUPPORT | 1 | | | RA0980 | | | |
| 14 | 34784050900 | SUPPORT | 1 | | | | | | |
| 15 | 34784051000 | SUPPORT | 1 | | | | | | |
| 16 | 90171112035 | BOLT | 4 | | M12X35 | | | | |
| 17 | 90302041201 | WASHER,SPRING | 4 | | 12 | | | | |
| 18 | 90303071201 | WASHER,PLAIN | 8 | | 12 | | | | |
| 19 | 90201781200 | NUT | 4 | | M12 | | | | |
| 20 | 34694212700 | COVER | 1 | | | | | | |
| 21 | 90186210020 | BOLT,FLANGE | 4 | | M10X20 | | | | |
| 22 | 34784053100 | PIPE | 1 | | | | | | |

GR-1000-4-00102 5 BOOM + 2 JIB, 2M2D

| Pos No. | Parts No | Parts Name | Qty | Unit | Technical Data | Serial No (Start) | Serial No (End) | Remarks | Pages |
|---------|-------------|----------------|-----|------|----------------|-------------------|-----------------|---------|-------|
| 2 | 36673650020 | ELEMENT ASSY | 1 | | | | | | |
| 3 | 36673650030 | INDICATOR ASSY | 1 | | | | | | |
| 21 | 36673655010 | SEAL KIT | 1 | | | | | | |
| 100 | 36673650000 | FILTER ASSY | 1 | | | | | | |

GR-1000-4-00102 5 BOOM + 2 JIB, 2M2D

| Pos No. | Parts No | Parts Name | Qty | Unit | Technical Data | Serial No (Start) | Serial No (End) | Remarks | Pages |
|---------|-------------|---------------|-----|------|----------------|-------------------|-----------------|---------|-------|
| 1 | 80720105025 | PIN,SPRING | 1 | | 5X25 | | | | |
| 3 | 91302204500 | BEARING,PLAIN | 2 | | | | | | |
| 4 | 91100104500 | SEAL,RING | 1 | | | | | | |
| 5 | 91002903000 | O-RING | 1 | | 1B G30 | | | | |
| 6 | 36052864000 | PISTON | 1 | | | | | | |
| 7 | 36053161002 | CYLINDER | 1 | | | | | | |
| 8 | 36053162000 | ROD | 1 | | | | | | |
| 9 | 36052863000 | COVER,ROD | 1 | | | | | | |
| 10 | 91301103000 | BEARING,PLAIN | 1 | | | | | | |
| 11 | 91002904000 | O-RING | 1 | | 1B G40 | | | | |
| 12 | 91251100300 | RING,DAMPER | 1 | | | | | | |
| 13 | 91694003000 | PACKING | 1 | | | | | | |
| 14 | 91410203001 | RING,BACKUP | 1 | | | | | | |
| 15 | 91660003001 | SEAL,DUST | 1 | | | | | | |
| 41 | 36052869900 | PACKING SET | 1 | | 30X45 | | | | |
| 100 | 36053160001 | CYLINDER,JIB | 1 | | | | | | |

GR-1000-4-00102 5 BOOM + 2 JIB, 2M2D

| Pos No. | Parts No | Parts Name | Qty | Unit | Technical Data | Serial No (Start) | Serial No (End) | Re |
|---------|-------------|----------------------------|-----|------|----------------|-------------------|-----------------|----|
| 1 | 82122704160 | CAP (PLUG) | 1 | | | | | |
| 2 | 82122706160 | CAP (ADAPTER) | 1 | | | | | |
| 21 | 91001001405 | O-RING | 1 | | S-14 | | | |
| 100 | 34373201200 | HARNESS (JIB2,OVERWINDING) | 1 | | | | | |

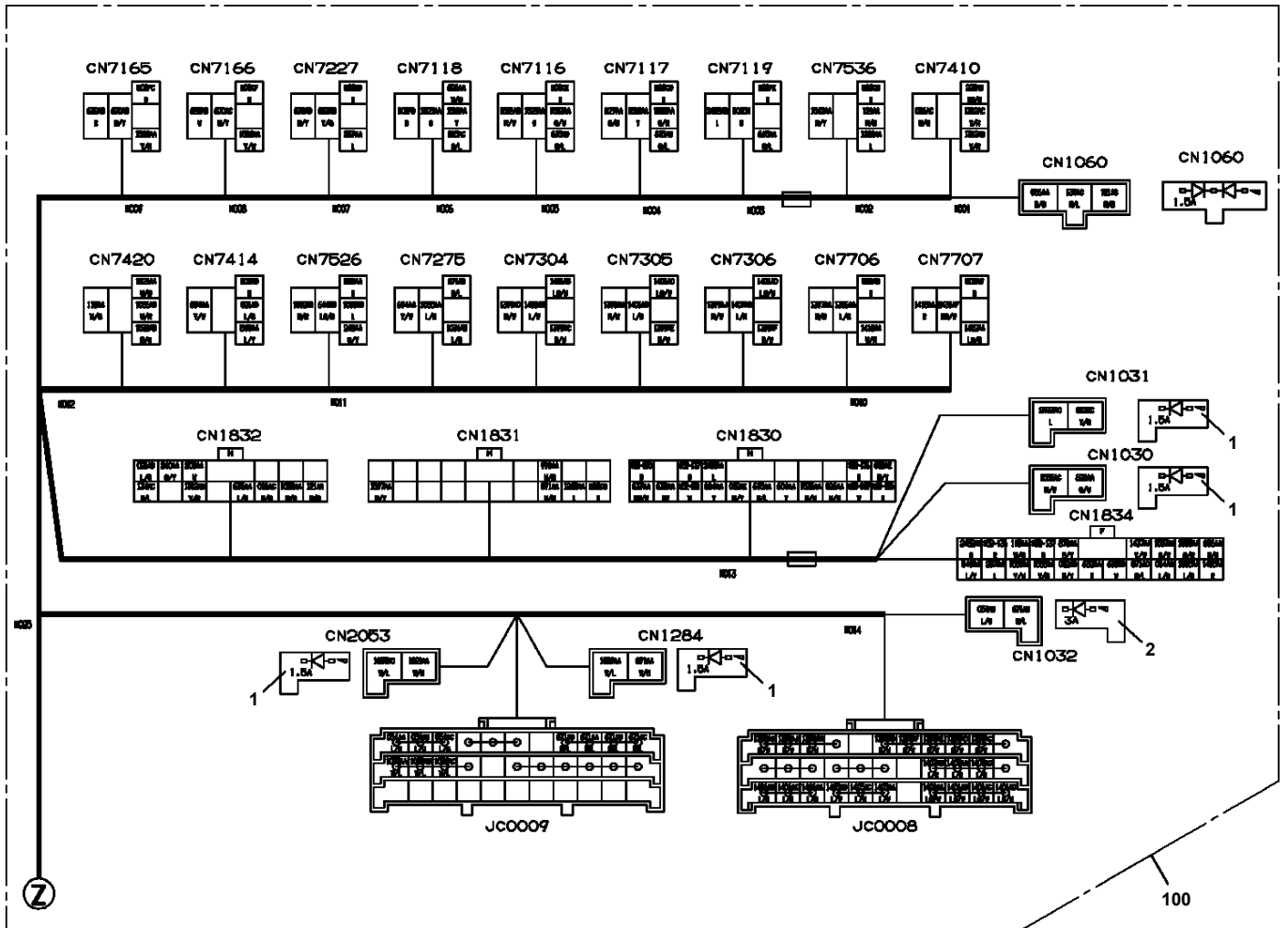
GR-1000-4-00102 5 BOOM + 2 JIB, 2M2D

| Pos No. | Parts No | Parts Name | Qty | Unit | Technical Data | Serial No (Start) | Serial No (End) | F |
|---------|-------------|-----------------------------|-----|------|----------------|-------------------|-----------------|---|
| 1 | 82114241010 | CONNECTOR (FUSE BOX) | 4 | | | | | |
| 2 | 82181809985 | RESISTANCE | 1 | | 120 OHM 0.5W | | | |
| 100 | 34932285110 | HARNESS (BATTERY RELAY BOX) | 1 | | | | | |

GR-1000-4-00102 5 BOOM + 2 JIB, 2M2D

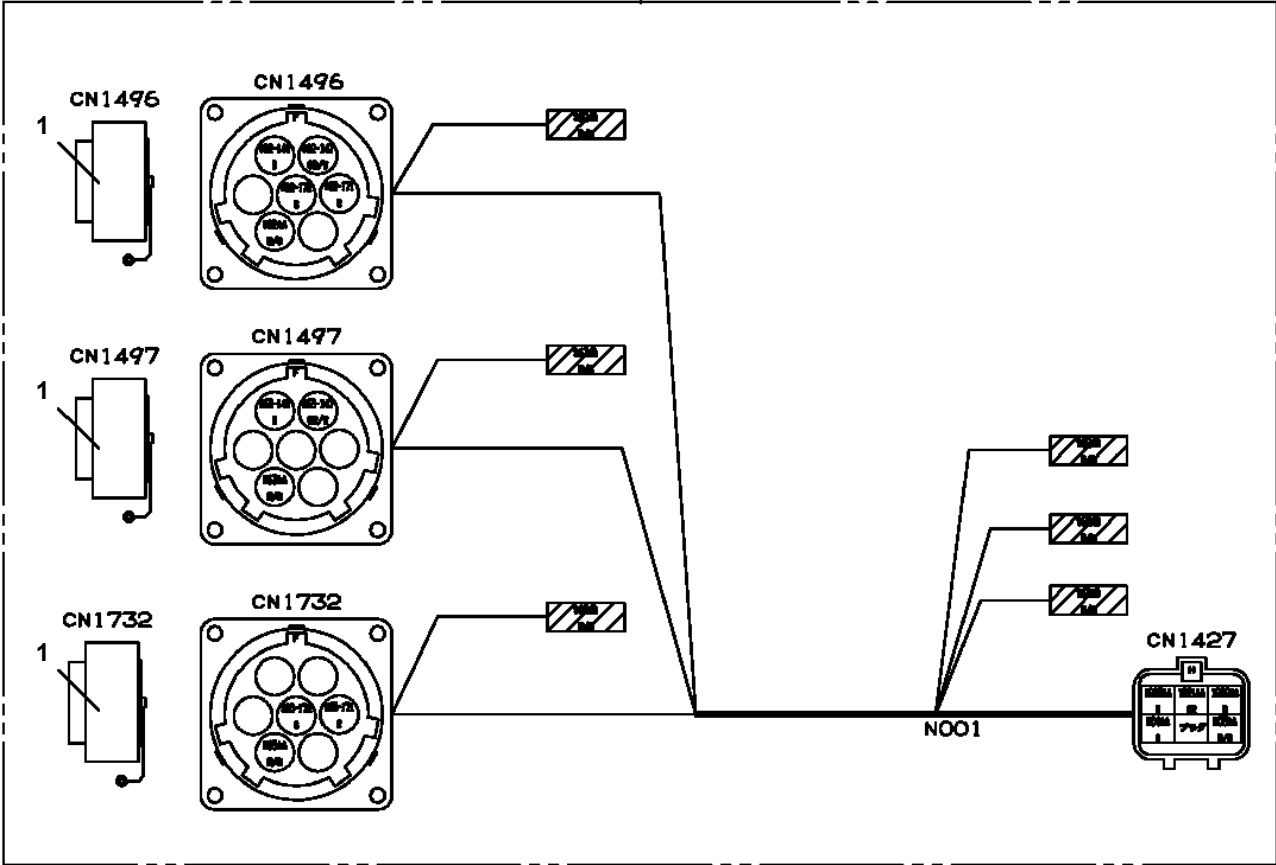
| Pos No. | Parts No | Parts Name | Qty | Unit | Technical Data | Serial No (Start) | Serial No (End) | Remarks | Pages |
|---------|-------------|----------------|-----|------|----------------|-------------------|-----------------|---------|-------|
| 100 | 34356162100 | HARNESS (BOOM) | 1 | | | | | | |

**GR-1000-4-00102 5 BOOM + 2 JIB, 2M2D
PH5034390-00 HARNESS (ENGINE)**

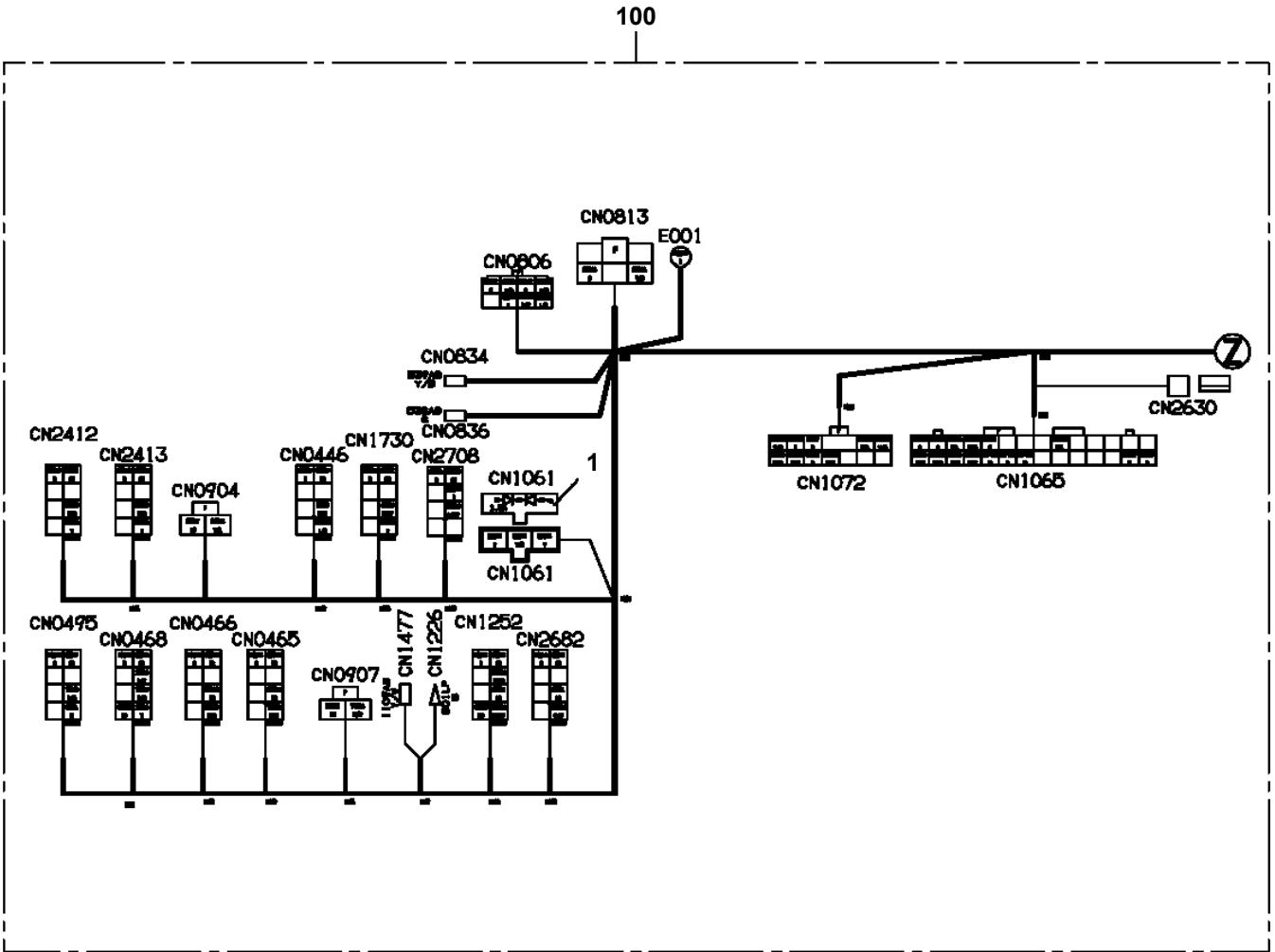


GR-1000-4-00102 5 BOOM + 2 JIB, 2M2D
PH5034403-00 HARNESS (TOP, ANEMOMETER, OBST)

100



GR-1000-4-00102 5 BOOM + 2 JIB, 2M2D
PH5034413-00 HARNESS (CAB MAIN)



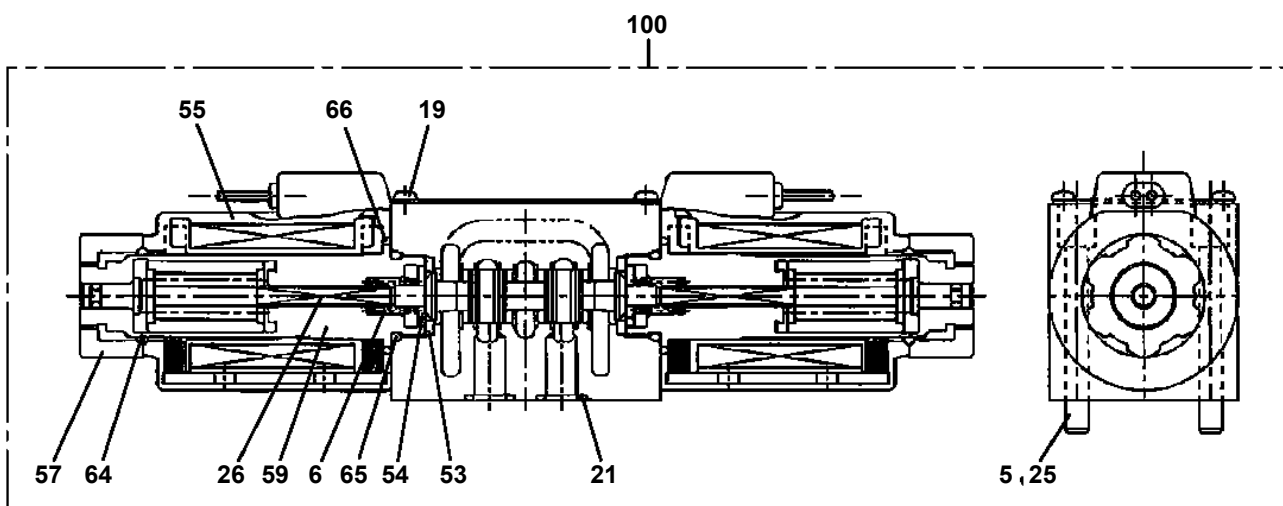
GR-1000-4-00102 5 BOOM + 2 JIB, 2M2D

| Pos No. | Parts No | Parts Name | Qty | Unit | Technical Data | Serial No (Start) | Serial No (End) | Remarks | Pages |
|---------|-------------|------------|-----|------|----------------|-------------------|-----------------|---------|-------|
| 1 | 34263087100 | HARNESS | 1 | | | | | | |

GR-1000-4-00102 5 BOOM + 2 JIB, 2M2D

| Pos No. | Parts No | Parts Name | Qty | Unit | Technical Data | Serial No (Start) | Serial No (End) | Remarks | Page |
|---------|-------------|------------------|-----|------|----------------|-------------------|-----------------|---------|------|
| 1 | 36097271000 | ADAPTER ASSY | 1 | | | | | | |
| 2 | 36097110010 | SHAFT | 1 | | | | | | |
| 3 | 91250000070 | SEAL,RING | 1 | | | | | | |
| 4 | 36096560020 | BEARING,PLAIN | 1 | | | | | | |
| 5 | 80500051115 | BEARING,BALL | 1 | | | | | | |
| 7 | 82456101000 | NIPPLE,GREASE | 2 | | A-PT1/8 | | | | |
| 8 | 37010103990 | PIN | 1 | | | | | | |
| 9 | 37000163070 | PIN | 1 | | | | | | |
| 10 | 80136340020 | PIN,SPLIT | 2 | | 4X20 | | | | |
| 11 | 37010103630 | PIN | 1 | | | | | | |
| 12 | 37001400030 | SPRING | 1 | | | | | | |
| 13 | 90303101001 | WASHER,PLAIN | 2 | | 10 | | | | |
| 14 | 80136325020 | PIN,SPLIT | 2 | | 2.5X20 | | | | |
| 15 | 37000316020 | SPACER | 2 | | | | | | |
| 17 | 36096732000 | PIN ASSY | 1 | | | | | | |
| 18 | 36096733000 | SPACER | 1 | | | | | | |
| 41 | 36096732100 | PIN | 1 | | | | | | |
| 42 | 36096732400 | LEVER | 1 | | | | | | |
| 60 | 36096739520 | STOPPER ASSY | 1 | | | | | | |
| 70 | 36096739510 | HOOK ASSY | 1 | | | | | | |
| 100 | 36097270000 | HOOK ASSY (AUX.) | 1 | | | | | | |

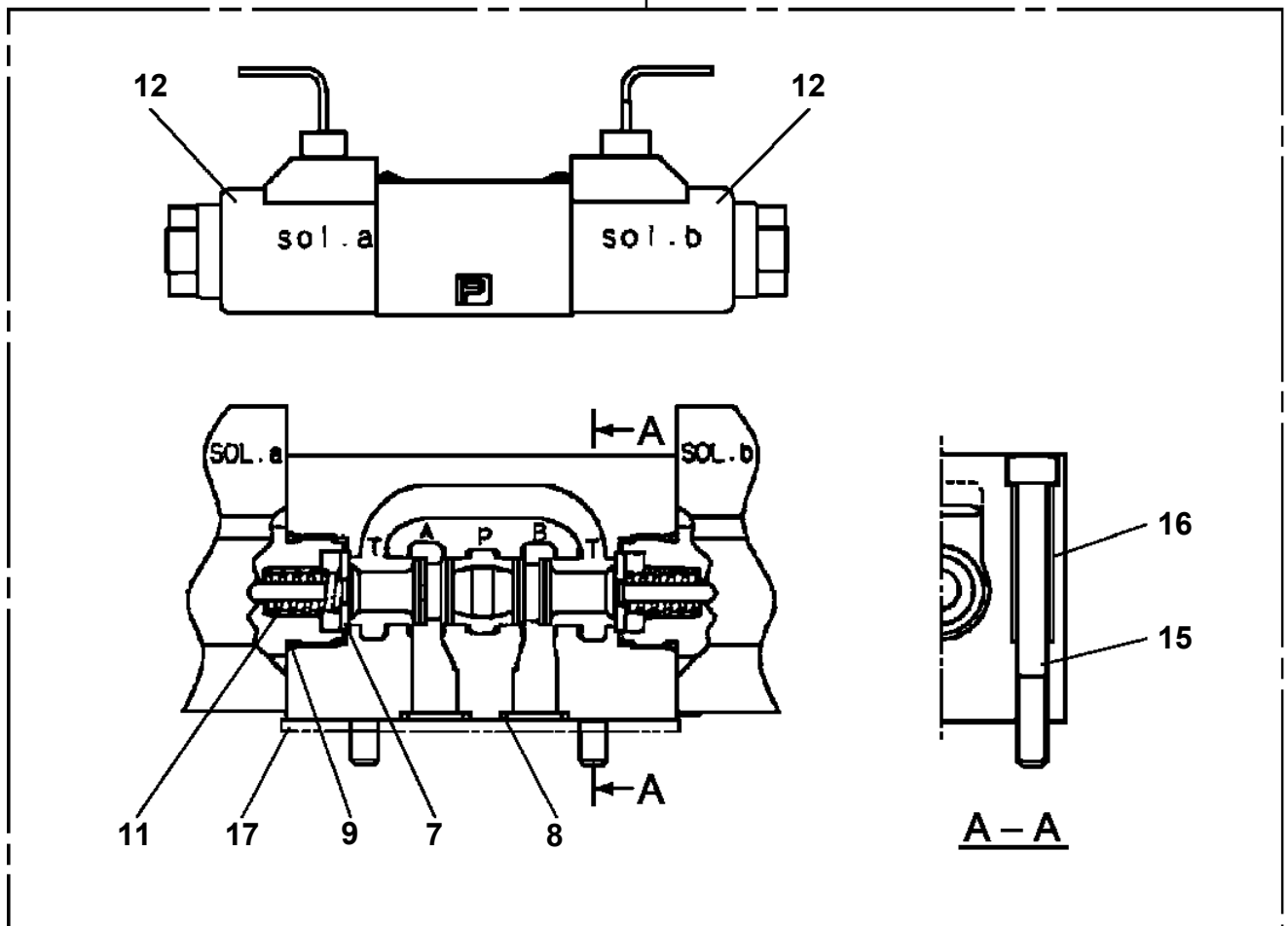
GR-1000-4-00102 5 BOOM + 2 JIB, 2M2D
PI1120135-05 VALVE,SOLENOID (NACHI)



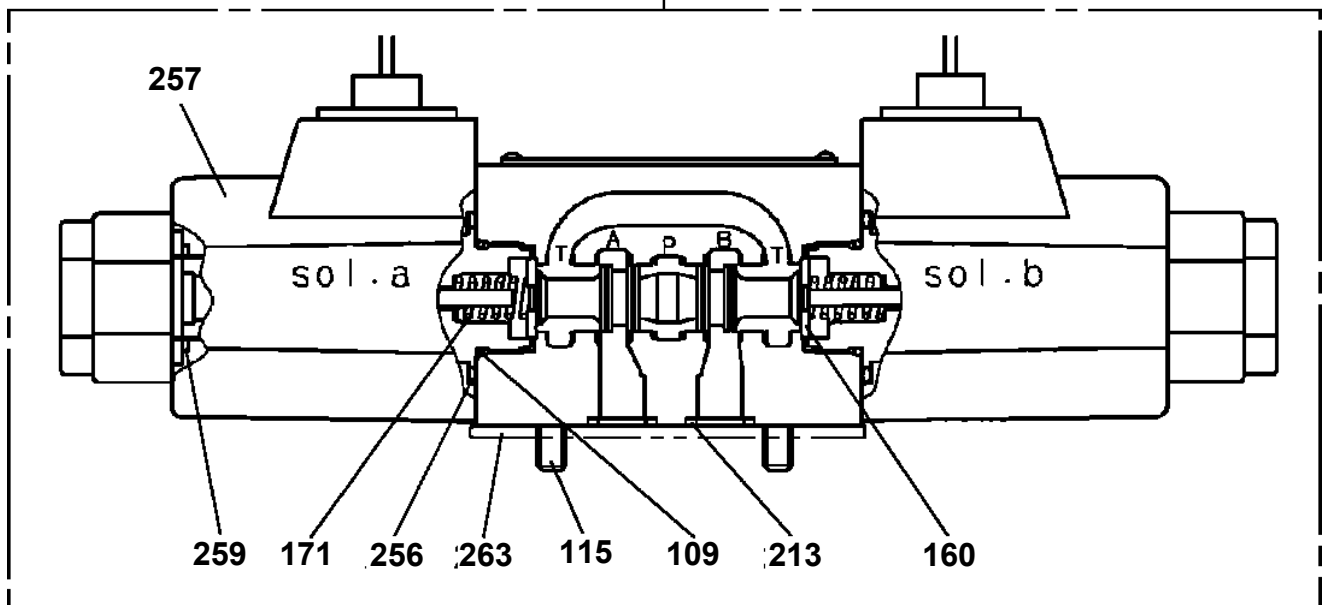
A

GR-1000-4-00102 5 BOOM + 2 JIB, 2M2D
PI1120234-01 VALVE,SOLENOID (UCHIDA)

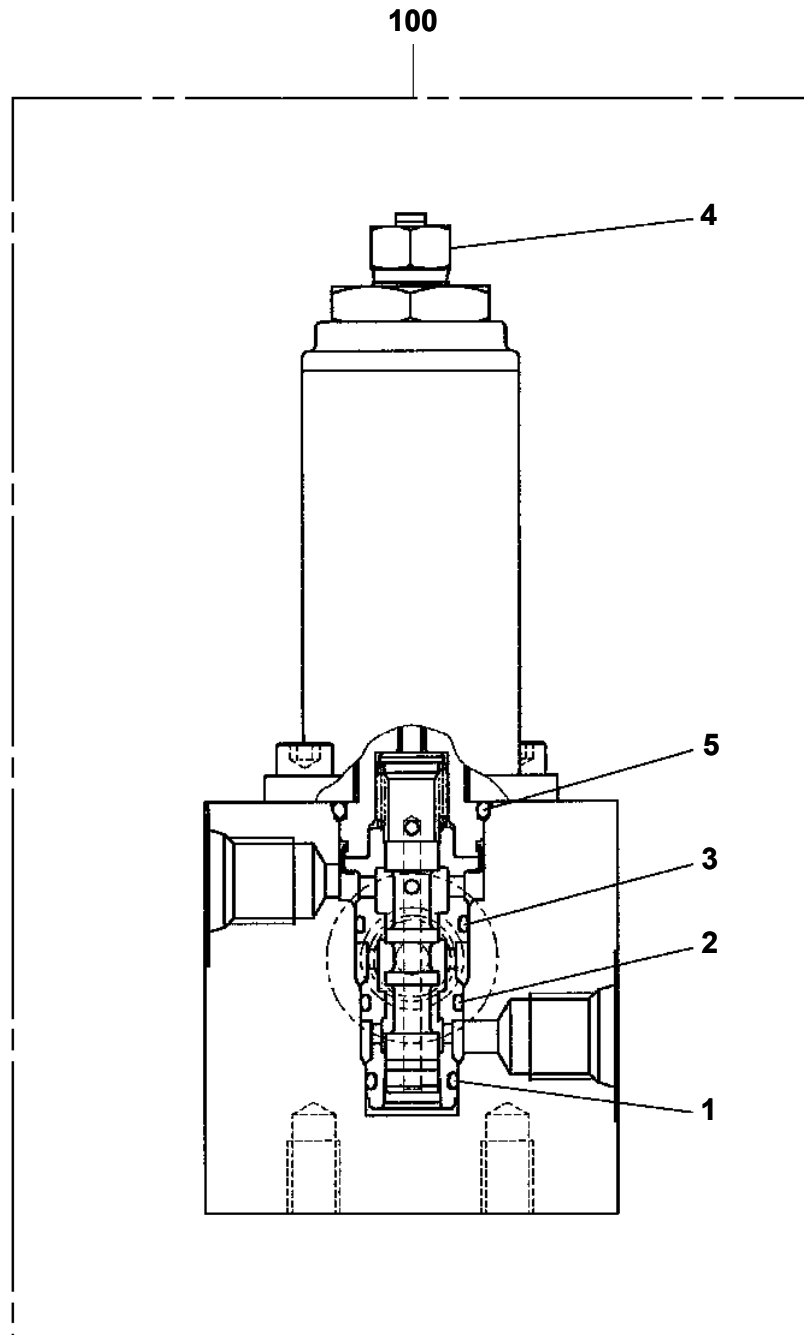
300



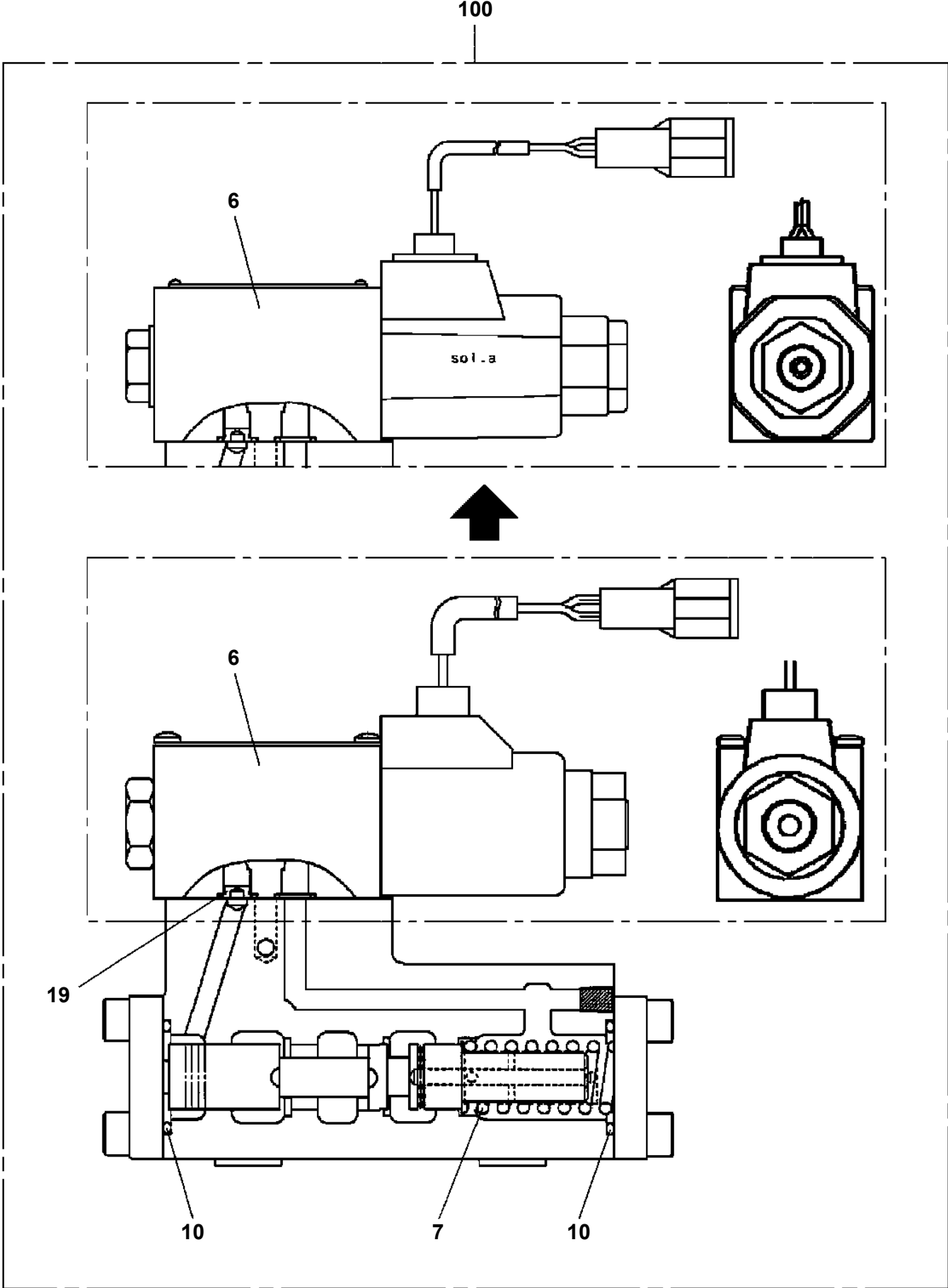
300



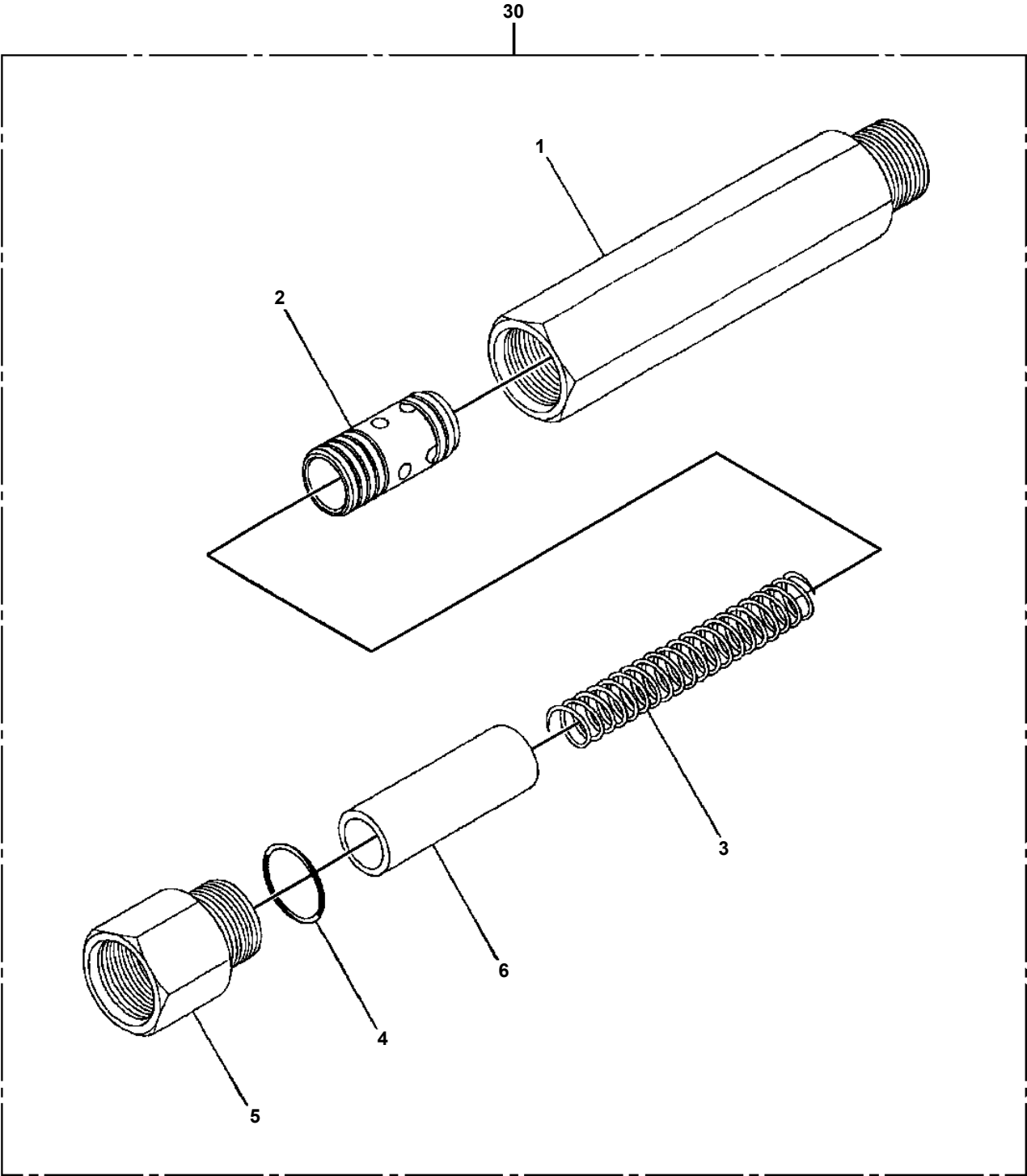
GR-1000-4-00102 5 BOOM + 2 JIB, 2M2D
PI1120304-01 VALVE,SOLENOID



GR-1000-4-00102 5 BOOM + 2 JIB, 2M2D
PI1130044-02 VALVE, HYDRAULIC

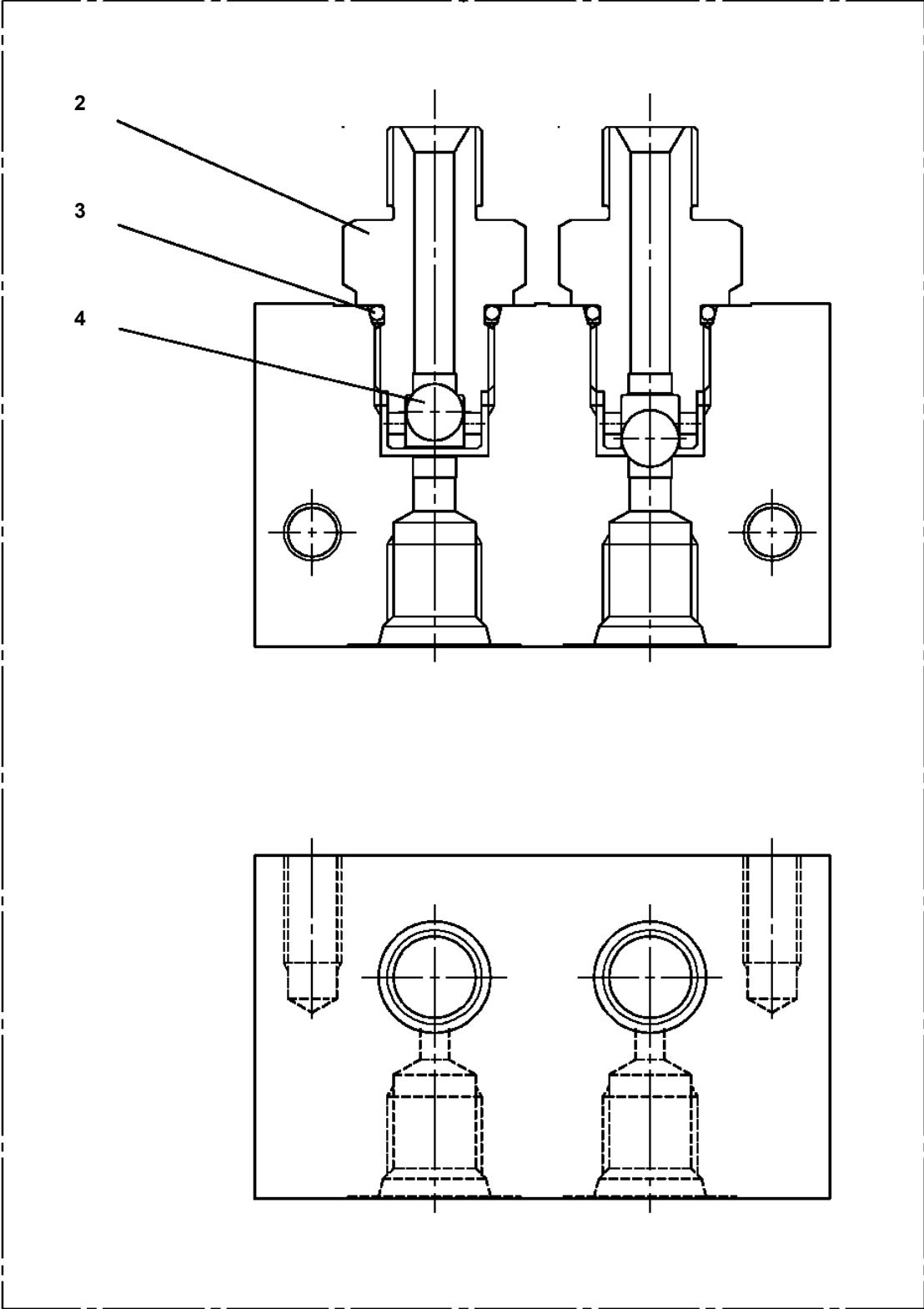


GR-1000-4-00102 5 BOOM + 2 JIB, 2M2D
PI1140116-01 VALVE,CHECK



GR-1000-4-00102 5 BOOM + 2 JIB, 2M2D
PI1230006-00 VALVE,SHUTTLE

10



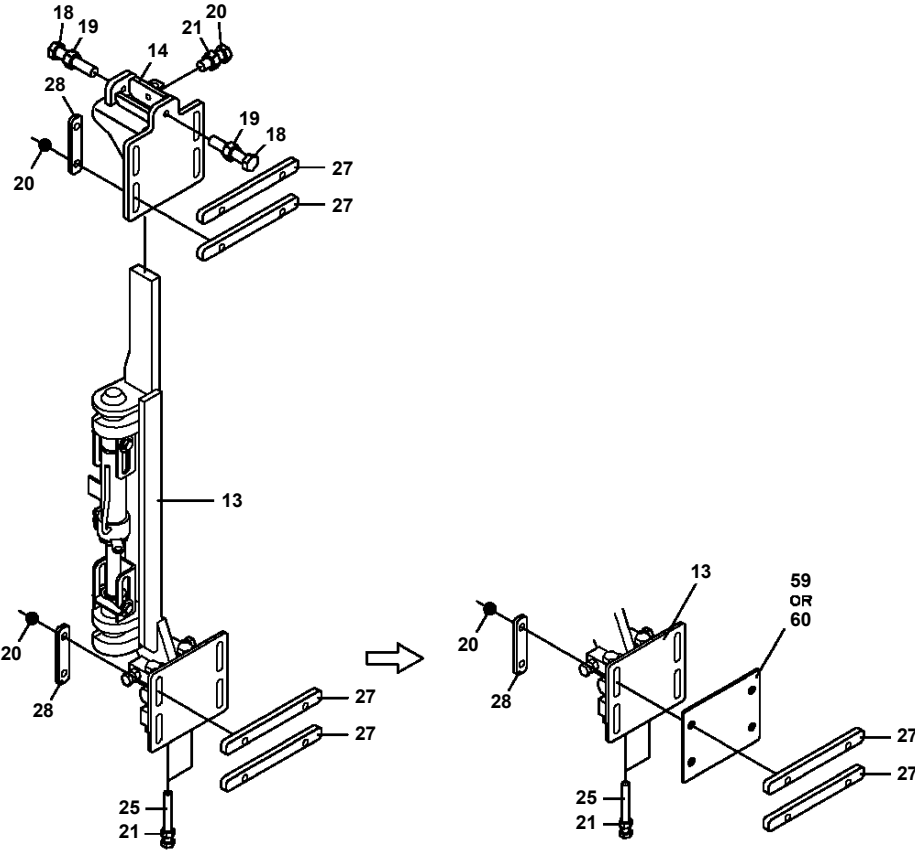
GR-1000-4-00102 5 BOOM + 2 JIB, 2M2D

| Pos No. | Parts No | Parts Name | Qty | Unit | Technical Data | Serial No (Start) | Serial No (End) | Remarks |
|---------|-------------|---------------------|-----|------|----------------|-------------------|-----------------|---------|
| 2 | 36603765010 | FILTER | 1 | | | | | |
| 3 | 36603765020 | RETAINER (FILTER) | 1 | | | | | |
| 4 | 36606035010 | VALVE,BACK PRESSURE | 1 | | | | | |
| 5 | 36606035020 | VALVE,REDUCING | 1 | | | | | |
| 6 | 90131906040 | BOLT,HEXAGON SOCKET | 4 | | M6X40 | | | |
| 7 | 36634535210 | PLUG | 1 | | PF1/4 | | | |
| 8 | 91002801100 | O-RING | 1 | | 1B P11 | | | |
| 9 | 36647205050 | PLUG | 1 | | NPT1-16 | | | |
| 21 | 36603765050 | COVER (SPRING) | 1 | | | | | |
| 22 | 36603765060 | STOPPER | 1 | | | | | |
| 26 | 36606035030 | SPRING | 1 | | | | | |
| 27 | 91002802200 | O-RING | 1 | | 1B P22 | | | |
| 28 | 91000501500 | O-RING | 1 | | AS568-015 | | | |
| 31 | 36606035040 | VALVE ASSY | 1 | | | | | |
| 53 | 36637335340 | O-RING | 2 | | 1B P15 | | | |
| 54 | 14035101130 | PLUG | 1 | | | | | |
| 55 | 36606035050 | RETAINER | 1 | | | | | |
| 56 | 36603765080 | SPRING | 1 | | | | | |
| 57 | 36606035070 | SCREW | 1 | | | | | |
| 58 | 36606035060 | BODY | 1 | | | | | |
| 59 | 91001001600 | O-RING | 2 | | 1A S16 | | | |
| 60 | 36630045220 | NUT | 1 | | M10 | | | |
| 61 | 36630045210 | NUT,CAP | 1 | | | | | |
| 62 | 91001100800 | O-RING | 2 | | 1A P8 | | | |
| 63 | 91002801400 | O-RING | 1 | | 1B P14 | | | |
| 100 | 36606030000 | VALVE,SEQUENCE | 1 | | | | | |

GR-1000-4-00102 5 BOOM + 2 JIB, 2M2D

| Pos No. | Parts No | Parts Name | Qty | Unit | Technical Data | Serial No (Start) | Serial No (End) | Remarks | Pages |
|---------|-------------|-------------|-----|------|----------------|-------------------|-----------------|---------|-------|
| 1 | 82108503360 | SWITCH | 1 | | | | | | |
| 2 | 34951730100 | SUPPORT | 1 | | | | | | |
| 3 | 90186208014 | BOLT,FLANGE | 2 | | M8X14 | | | | |
| 4 | 91810130240 | FASTENER | 7 | | | | | | |

GR-1000-4-00102 5 BOOM + 2 JIB, 2M2D
PJ5050122-01 JIB ASSY (ATTACHMENT)



C

GR-1000-4-00102 5 BOOM + 2 JIB, 2M2D

| Pos No. | Parts No | Parts Name | Qty | Unit | Technical Data | Serial No (Start) | Serial No (End) | Re |
|---------|-------------|---------------------------|-----|------|----------------|-------------------|-----------------|----|
| 4 | 37000200540 | PIN,SNAP | 2 | | D=25 | | | |
| 5 | 37000114400 | PIN | 2 | | D=25,L=106 | | | |
| 6 | 37000180360 | PIN | 1 | | | | | |
| 7 | 80601110900 | RING,RITAINING | 1 | | S90 | | | |
| 8 | 37001002910 | SHEAVE ASSY | 1 | | | | | |
| 9 | 82456101000 | NIPPLE,GREASE | 1 | | A-PT1/8 | | | |
| 44 | 90101208014 | BOLT | 1 | | M8X14 | | | |
| 45 | 90302040801 | WASHER,SPRING | 1 | | 8 | | | |
| 46 | 37001110230 | ROLLER ASSY | 1 | | | | | |
| 47 | 37000116020 | PIN | 1 | | | | | |
| 48 | 37000312090 | SPACER | 2 | | L=3 | | | |
| 122 | 80515006018 | BEARING,BALL | 2 | | | | | |
| 142 | 80516006002 | BEARING,BALL | 2 | | | | | |
| 152 | 34373201200 | HARNES (JIB2,OVERWINDING) | 1 | | | | | |
| 153 | 90280200600 | NUT,FLANGE | 32 | | M6 | | | |
| 156 | 82100002006 | CLAMP | 16 | | WR10 | | | |
| 157 | 90302040301 | WASHER,SPRING | 6 | | 3 | | | |
| 158 | 80171303012 | SCREW,MACHINE | 4 | | M3X12 | | | |
| 159 | 90201200300 | NUT | 4 | | M3 | | | |
| 160 | 80171303005 | SCREW,MACHINE | 2 | | M3X5 | | | |
| 161 | 37001400140 | SPRING | 1 | | | | | |
| 171 | 37000558150 | PLATE | 2 | | | | | |
| 173 | 34373162100 | SUPPORT | 1 | | | | | |
| 176 | 14128208000 | RING | 1 | | | | | |
| 178 | 33370197110 | SUPPORT | 1 | | | | | |
| 179 | 37000529070 | PLATE | 1 | | | | | |
| 180 | 16318216000 | SUPPORT | 1 | | | | | |
| 182 | 34445045400 | SUPPORT | 1 | | | | | |
| 203 | 34222021950 | SUPPORT | 1 | | | | | |
| 206 | 34222021650 | PLATE | 1 | | | | | |
| 207 | 34222021680 | SUPPORT | 1 | | | | | |
| 300 | 34222489611 | JIB ASSY,2 | 1 | | | | | |

CLICK HERE TO **DOWNLOAD** THE COMPLETE MANUAL

- Thank you very much for reading the preview of the manual.
- You can download the complete manual from: www.heydownloads.com by clicking the link below



- Please note: If there is no response to CLICKING the link, please download this PDF first and then click on it.

CLICK HERE TO **DOWNLOAD** THE COMPLETE MANUAL

GR-1000-4-00102 5 BOOM + 2 JIB, 2M2D

| Pos No. | Parts No | Parts Name | Qty | Unit | Technical Data | Serial No (Start) | Serial No (End) | Remarks | Pa |
|---------|-------------|---------------------|-----|------|----------------|-------------------|-----------------|---------|-----|
| 1 | 90171110060 | BOLT | 4 | | M10X60 | | | | |
| 2 | 34630704400 | SUPPORT | 2 | | | | | | |
| 3 | 80400160131 | JOINT | 1 | | | | | | |
| 4 | 91002801800 | O-RING | 7 | | 1B P18 | | | | |
| 5 | 80430620800 | JOINT | 2 | | | | | | |
| 6 | 80430620600 | JOINT (WITH O-RING) | 1 | | L,G3/8-G3/8 | | | | |
| 8 | 91002801400 | O-RING | 4 | | 1B P14 | | | | |
| 9 | 80400160135 | JOINT | 2 | | | | | | |
| 10 | 91002802900 | O-RING | 2 | | 1B P29 | | | | |
| 11 | 37000911890 | JOINT (WITH O-RING) | 1 | | L,G1/2-G3/4 | | | | |
| 12 | 80481003040 | JOINT | 1 | | S,G1/2-G3/8 | | | | |
| 13 | 80316070080 | PLUG | 2 | | PF1/2 | | | | |
| 14 | 80471020503 | JOINT | 2 | | 45,G3/8-G3/8 | | | | |
| 15 | 37000926040 | JOINT | 1 | | | | | | |
| 81 | (*****) | JOINT ASSY,SWIVEL | 1 | | | | | | 000 |
| 100 | 34631340000 | JOINT ASSY,SWIVEL | 1 | | | | | | |

GR-1000-4-00102 5 BOOM + 2 JIB, 2M2D

| Pos No. | Parts No | Parts Name | Qty | Unit | Technical Data | Serial No (Start) | Serial No (End) | Remarks | Pages |
|---------|-------------|-------------|-----|------|----------------|-------------------|-----------------|---------|-------|
| 1 | 34495742600 | LAMP ASSY | 1 | | | | | | |
| 2 | 90186208016 | BOLT,FLANGE | 2 | | M8X16 | | | | |
| 3 | 90201200800 | NUT | 2 | | M8 | | | | |
| 24 | 82122704200 | CAP | 1 | | | | | | |

GR-1000-4-00102 5 BOOM + 2 JIB, 2M2D

| Pos No. | Parts No | Parts Name | Qty | Unit | Technical Data | Serial No (Start) | Serial No (End) |
|---------|-------------|-------------------------------|-----|------|----------------|-------------------|-----------------|
| 1 | 34732950100 | SUPPORT | 1 | | | | |
| 2 | 34931041400 | LAMP ASSY,LICENSE | 1 | | | | |
| 3 | 90280200800 | NUT,FLANGE | 2 | | M8 | | |
| 4 | 80172304016 | SCREW,MACHINE | 2 | | M4X16 | | |
| 6 | 90201200400 | NUT | 3 | | M4 | | |
| 7 | 90303290400 | WASHER,PLAIN | 2 | | 4 | | |
| 31 | 33650080600 | LAMP ASSY,LICENSE (ASSY ONLY) | 1 | | | | |
| 32 | 34931041411 | HARNESS | 1 | | | | |
| 33 | 91810130240 | FASTENER | 2 | | | | |
| 34 | 82166300100 | BULB,LAMP | 1 | | 24V 10W | | |

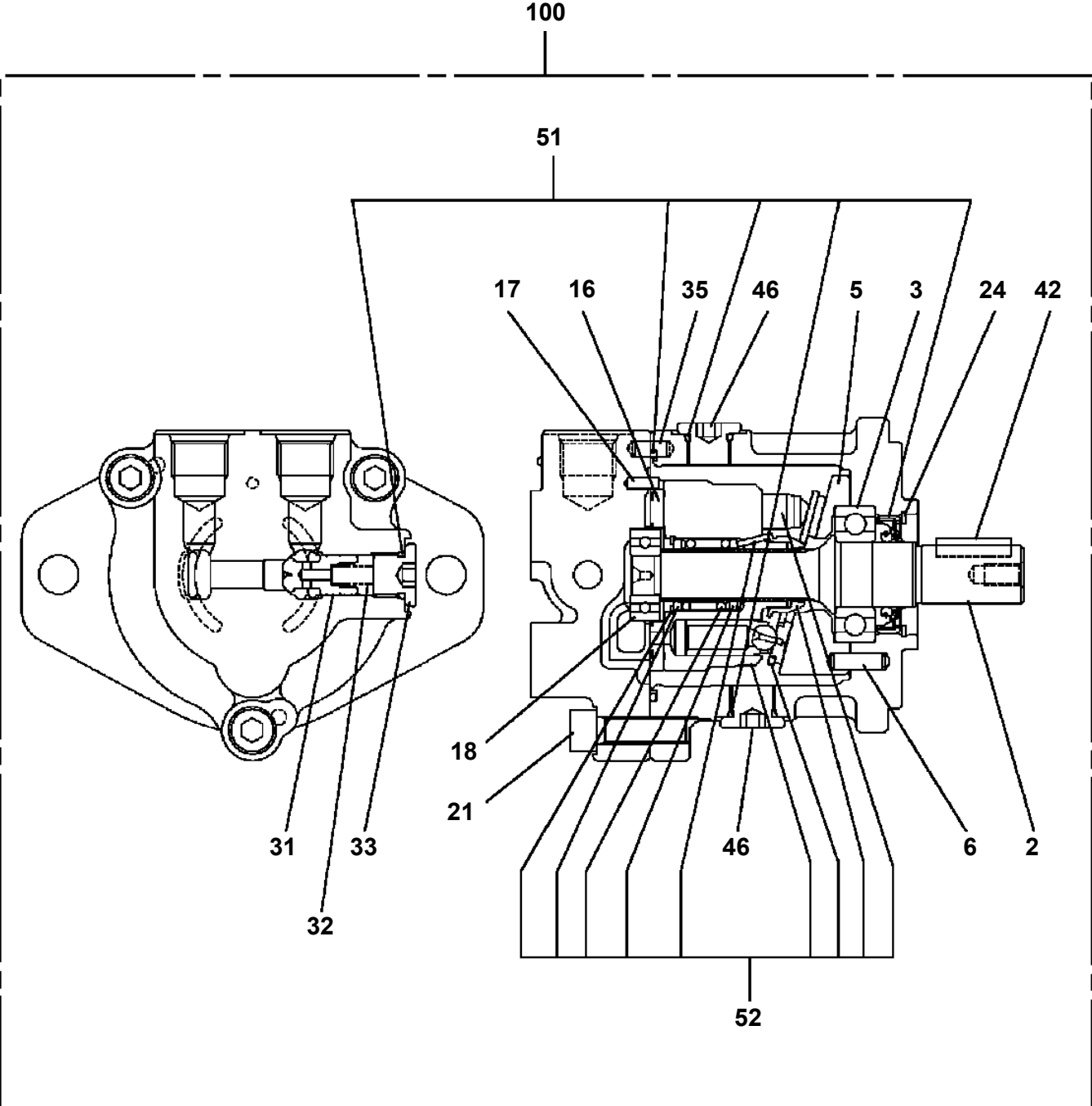
GR-1000-4-00102 5 BOOM + 2 JIB, 2M2D

| Pos No. | Parts No | Parts Name | Qty | Unit | Technical Data | Serial No (Start) | Serial No (End) | Remarks |
|---------|-------------|---------------------|-----|------|----------------|-------------------|-----------------|---------|
| 2 | 82114101040 | CONNECTOR (4P,MALE) | 1 | | | | | |
| 3 | 82121102040 | HOLDER (4P,BOTH) | 1 | | | | | |
| 4 | 82111210255 | TERMINAL | 2 | | | | | |
| 5 | 82100001234 | INSULATOR | 2 | | | | | |
| 6 | 82166300210 | BULB,LAMP (KOITO) | 1 | | 24V 21W | | | |
| 7 | 82166300050 | BULB,LAMP (KOITO) | 1 | | 24V 5W | | | |
| 8 | 82113600206 | TERMINAL | 1 | | | | | |
| 9 | 82121101085 | PLUG (AVS0.85) | 2 | | | | | |
| 10 | 82111101010 | TERMINAL | 2 | | | | | |
| 11 | 82111101020 | TERMINAL | 1 | | | | | |
| 12 | 82121101125 | PLUG (AVS1.25) | 1 | | | | | |
| 13 | 82121101009 | PLUG (GREEN) | 1 | | | | | |
| 31 | 34930707510 | LENS | 1 | | | | | |
| 100 | 34932023000 | LAMP,COMBINATION | 1 | | | | | |

GR-1000-4-00102 5 BOOM + 2 JIB, 2M2D

| Pos No. | Parts No | Parts Name | Qty | Unit | Technical Data | Serial No (Start) | Serial No (End) | Re |
|---------|-------------|----------------------------|-----|------|----------------|-------------------|-----------------|----|
| 1 | (*****) | ELEC.ASSY | 1 | | | | | |
| 2 | 36173320000 | CONTROLLER (SCT,ASSY ONLY) | 1 | | | | | |

GR-1000-4-00102 5 BOOM + 2 JIB, 2M2D
PM5210021-00 MOTOR ASSY,OIL



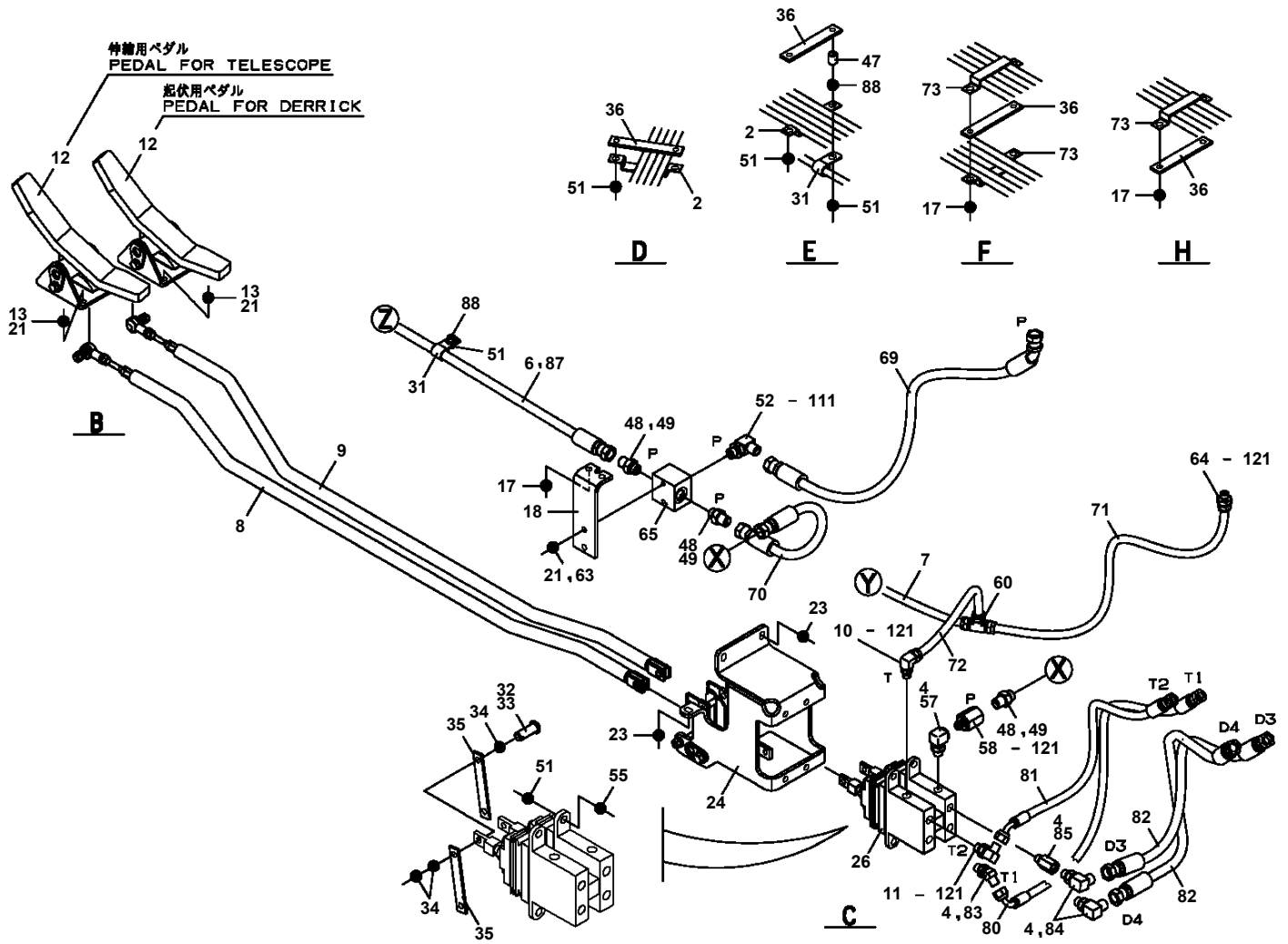
GR-1000-4-00102 5 BOOM + 2 JIB, 2M2D

| Pos No. | Parts No | Parts Name | Qty | Unit | Technical Data | Serial No (Start) | Serial No (End) | Rem |
|---------|-------------|----------------------------|-----|------|----------------|-------------------|-----------------|-----|
| 1 | 82151213051 | BATTERY (PANASONIC,130F51) | 1 | | | | | |

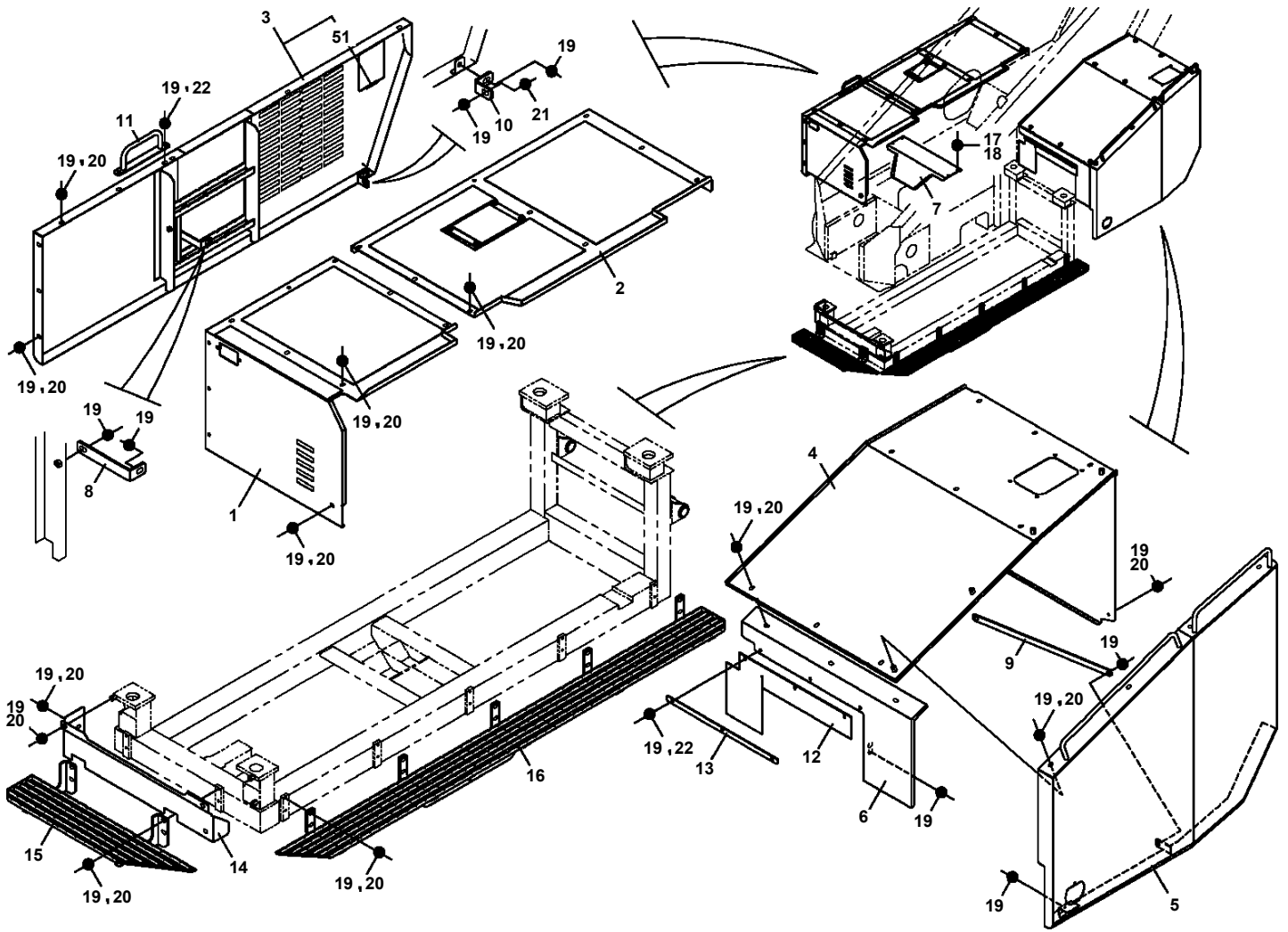
GR-1000-4-00102 5 BOOM + 2 JIB, 2M2D

| Pos No. | Parts No | Parts Name | Qty | Unit | Technical Data | Serial No (Start) | Serial No (End) | Remarks |
|---------|-------------|---------------------|-----|------|----------------|-------------------|-----------------|---------|
| 1 | 34354934100 | PLATE,NAME (WHITE) | 2 | | | | | |
| 2 | 34354934200 | PLATE,NAME (RED) | 2 | | | | | |
| 3 | 34354934300 | PLATE,NAME (YELLOW) | 2 | | | | | |
| 4 | 34355704100 | PLATE,NAME (WHITE) | 1 | | | | | |
| 5 | 34355704200 | PLATE,NAME (RED) | 1 | | | | | |

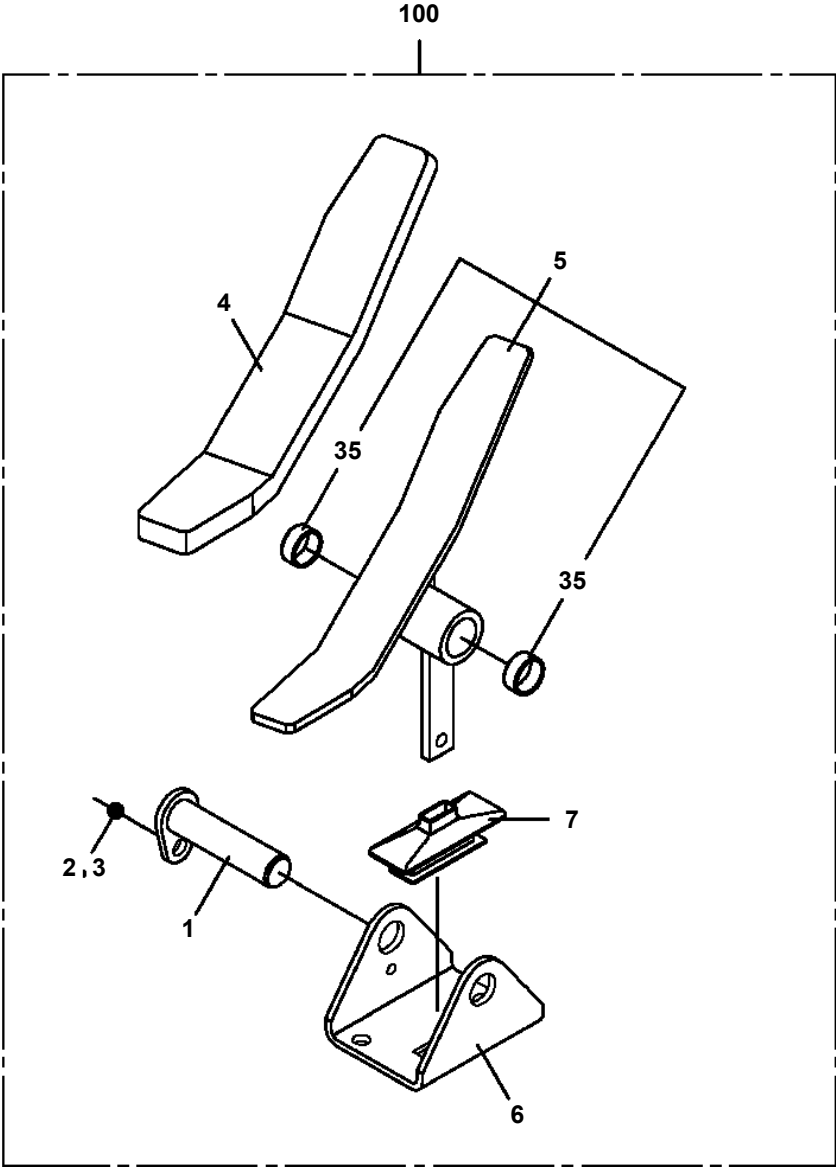
GR-1000-4-00102 5 BOOM + 2 JIB, 2M2D
PO5080333-01 OPE.ASSY,CONT.VALVE (ISO/TACTILE)



GR-1000-4-00102 5 BOOM + 2 JIB, 2M2D
PO5260159-00 OUTER COVERING ASSY (SWING FRAME)



GR-1000-4-00102 5 BOOM + 2 JIB, 2M2D
PP5190003-00 PEDAL ASSY



GR-1000-4-00102 5 BOOM + 2 JIB, 2M2D

| Pos No. | Parts No | Parts Name | Qty | Unit | Technical Data | Serial No (Start) | Serial No (End) |
|---------|-------------|--|-----|------|----------------|-------------------|-----------------|
| 1 | 36653975040 | SHAFT,DRIVING (F) | 1 | | | | |
| 2 | 36653975050 | SHAFT,DRIVING (R) | 1 | | | | |
| 3 | 36652185030 | JOINT,SPLINE | 1 | | | | |
| 4 | 36653295050 | BEARING,ROLLER | 2 | | | | |
| 5 | 36653975060 | BEARING,NEEDLE | 2 | | | | |
| 6 | 36653975070 | SPACER (BEARING) | 4 | | | | |
| 10 | 36653355080 | PLATE SET | 2 | | | | |
| 11 | 36653295040 | BUSH | 2 | | | | |
| 12 | 36652185090 | SPRING (CYLINDER) | 18 | | | | |
| 13 | 36652185110 | PLATE (SHOE) | 2 | | | | |
| 16 | 36654505120 | SUPPORT (SWASH PLATE) | 2 | | | | |
| 17 | 36653975080 | COVER (SEAL) | 1 | | | | |
| 18 | 36652185160 | COVER (SEAL,R) | 1 | | | | |
| 19 | 36652185170 | CASING,PUMP | 2 | | | | |
| 20 | 36654505110 | BLOCK,VALVE | 1 | | | | |
| 23 | 36652185200 | BOLT,HEXAGON SOCKET | 8 | | M16X175 | | |
| 24 | 90131506016 | BOLT,HEXAGON SOCKET | 8 | | M6X16 | | |
| 25 | 36653355100 | PLUG | 2 | | | | |
| 26 | 36661465150 | PLUG | 4 | | | | |
| 27 | 36664175170 | PLUG | 15 | | | | |
| 29 | 36653355110 | PISTON (SERVO) | 2 | | | | |
| 30 | 36652185220 | STOPPER (LARGE) | 2 | | | | |
| 31 | 36652185230 | STOPPER (SMALL) | 2 | | | | |
| 33 | 36654555010 | O-RING | 2 | | | | |
| 34 | 91002908500 | O-RING | 2 | | 1B G85 | | |
| 35 | 91002912000 | O-RING | 2 | | 1B G120 | | |
| 36 | 91002911500 | O-RING | 2 | | 1B G115 | | |
| 37 | 36664175200 | RING,SQUARE | 18 | | | | |
| 38 | 91002801100 | O-RING | 2 | | 1B P11 | | |
| 39 | 91002801800 | O-RING | 4 | | 1B P18 | | |
| 40 | 36654555020 | O-RING | 2 | | | | |
| 41 | 36654505050 | SEAL,OIL | 1 | | | | |
| 42 | 91411001600 | RING,BACKUP | 2 | | P16 | | |
| 43 | 91411103000 | RING,BACKUP | 2 | | G30 | | |
| 44 | 90203201600 | NUT | 4 | | M16 | | |
| 45 | 80601110350 | RING,RITAINING | 2 | | S35 | | |
| 46 | 36652185250 | PIN | 2 | | | | |
| 47 | 36650835330 | PIN,SPRING | 4 | | | | |
| 48 | 36653355120 | BOLT,EYE | 2 | | | | |
| 49 | 36652185260 | SCREW,SET | 2 | | | | |
| 50 | 36652185270 | SCREW,SET | 2 | | | | |
| 61 | 36654505060 | PISTON KIT | 2 | | | | |
| 62 | 36654505070 | CYLINDER ASSY (R) | 1 | | | | |
| 63 | 36654505080 | CYLINDER ASSY (L) | 1 | | | | |
| 64 | 36652185310 | BARREL ASSY (WITH SWASH PLATE) | 2 | | | | |
| 65 | 36653975110 | PIN ASSY | 2 | | | | |
| 71 | 36654535030 | REGULATOR ASSY (FOR FRONT & REAR PUMP) | 2 | | | | |
| 101 | 90131908050 | BOLT,HEXAGON SOCKET <M8X50. | 4 | | | | |
| 102 | 90131908070 | BOLT,HEXAGON SOCKET | 4 | | M8X70 | | |
| 103 | 90131906030 | BOLT,HEXAGON SOCKET | 4 | | M6X30 | | |
| 104 | 90131906020 | BOLT,HEXAGON SOCKET | 20 | | M6X20 | | |
| 105 | 36653355010 | PLUG | 10 | | | | |
| 134 | 91002907500 | O-RING | 2 | | 1B G75 | | |
| 135 | 91002800600 | O-RING | 6 | | 1B P6 | | |
| 136 | 91002800800 | O-RING | 18 | | 1B P8 | | |
| 137 | 91002801000 | O-RING | 2 | | 1B P10 | | |
| 138 | 91002801800 | O-RING | 2 | | 1B P18 | | |
| 139 | 91002802200 | O-RING | 2 | | 1B P22 | | |
| 140 | 36654555020 | O-RING | 2 | | | | |
| 141 | 91002802000 | O-RING | 2 | | 1B P20 | | |
| 142 | 91002902500 | O-RING | 2 | | 1B G25 | | |
| 143 | 91002801250 | O-RING | 2 | | 1B P12.5 | | |
| 144 | 36654505030 | O-RING | 2 | | | | |

GR-1000-4-00102 5 BOOM + 2 JIB, 2M2D

| Pos No. | Parts No | Parts Name | Qty | Unit | Technical Data | Serial No (Start) | Serial No (End) | Remark |
|---------|-------------|---------------------|-----|------|----------------|-------------------|-----------------|--------|
| 83 | 81408000160 | PIPE,STEEL | 2 | M | 12X1.4T | | | |
| 84 | 81408000160 | PIPE,STEEL | 2 | M | 12X1.4T | | | |
| 85 | 81408000241 | PIPE,STEEL | 1 | M | 18X1.9T | | | |
| 86 | 81408000241 | PIPE,STEEL | 2 | M | 18X1.9T | | | |
| 87 | 81408000241 | PIPE,STEEL | 2 | M | 18X1.9T | | | |
| 88 | 81408000160 | PIPE,STEEL | 1 | M | 12X1.4T | | | |
| 89 | 81408000160 | PIPE,STEEL | 2 | M | 12X1.4T | | | |
| 121 | 91002801400 | O-RING | 4 | | 1B P14 | | | |
| 131 | 91002801800 | O-RING | 4 | | 1B P18 | | | |
| 144 | 91002801100 | O-RING | 4 | | 1B P11 | | | |
| 161 | 36649890000 | VALVE,SOLENOID | 1 | | | | | |
| 162 | 36648911000 | BODY | 1 | | | | | |
| 163 | 37000934150 | JOINT,SELF SEAL | 1 | | | | | |
| 165 | 90172105045 | BOLT,HEXAGON SOCKET | 4 | | M5X45 | | | |

GR-1000-4-00102 5 BOOM + 2 JIB, 2M2D

| Pos No. | Parts No | Parts Name | Qty | Unit | Technical Data | Serial No (Start) |
|---------|-------------|--|-----|------|----------------|-------------------|
| 112 | 81408000160 | PIPE,STEEL | 1 | M | 12X1.4T | |
| 113 | 81408000160 | PIPE,STEEL | 1 | M | 12X1.4T | |
| 114 | 81408000160 | PIPE,STEEL | 3 | M | 12X1.4T | |
| 115 | 81408000160 | PIPE,STEEL | 1 | M | 12X1.4T | |
| 116 | 81408000160 | PIPE,STEEL | 1 | M | 12X1.4T | |
| 117 | 81408000160 | PIPE,STEEL | 1 | M | 12X1.4T | |
| 118 | 81408000160 | PIPE,STEEL | 1 | M | 12X1.4T | |
| 119 | 81408000160 | PIPE,STEEL | 1 | M | 12X1.4T | |
| 120 | 81408000160 | PIPE,STEEL | 2 | M | 12X1.4T | |
| 121 | 81408000160 | PIPE,STEEL | 1 | M | 12X1.4T | |
| 122 | 81408000160 | PIPE,STEEL | 1 | M | 12X1.4T | |
| 123 | 81408000160 | PIPE,STEEL | 1 | M | 12X1.4T | |
| 124 | 81408000160 | PIPE,STEEL | 1 | M | 12X1.4T | |
| 125 | 81408000160 | PIPE,STEEL | 1 | M | 12X1.4T | |
| 126 | 81408000160 | PIPE,STEEL | 1 | M | 12X1.4T | |
| 127 | 81408000160 | PIPE,STEEL | 1 | M | 12X1.4T | |
| 128 | 81408000160 | PIPE,STEEL | 1 | M | 12X1.4T | |
| 129 | 81408000160 | PIPE,STEEL | 1 | M | 12X1.4T | |
| 130 | 81408000241 | PIPE,STEEL | 1 | M | 18X1.9T | |
| 131 | 81408000160 | PIPE,STEEL | 1 | M | 12X1.4T | |
| 132 | 81408000160 | PIPE,STEEL | 1 | M | 12X1.4T | |
| 133 | 89640101000 | HOSE | 1 | | 880-NFK,1M | |
| 134 | 89640101000 | HOSE | 1 | | 880-NFK,1M | |
| 135 | 89640101000 | HOSE | 1 | | 880-NFK,1M | |
| 136 | 89640101000 | HOSE | 1 | | 880-NFK,1M | |
| 137 | 89640101000 | HOSE | 1 | | 880-NFK,1M | |
| 138 | 89640101000 | HOSE | 1 | | 880-NFK,1M | |
| 139 | 89640101000 | HOSE | 1 | | 880-NFK,1M | |
| 140 | 89640101000 | HOSE | 1 | | 880-NFK,1M | |
| 142 | 89640101000 | HOSE | 1 | | 880-NFK,1M | |
| 143 | 89640101000 | HOSE | 1 | | 880-NFK,1M | |
| 144 | 89640101000 | HOSE | 1 | | 880-NFK,1M | |
| 146 | 89640101000 | HOSE | 1 | | 880-NFK,1M | |
| 148 | 89640101000 | HOSE | 1 | | 880-NFK,1M | |
| 149 | 89640101000 | HOSE | 1 | | 880-NFK,1M | |
| 150 | 81408000160 | PIPE,STEEL | 1 | M | 12X1.4T | |
| 151 | 81408000241 | PIPE,STEEL | 1 | M | 18X1.9T | |
| 152 | 90101208014 | BOLT | 2 | | M8X14 | |
| 153 | 81408000160 | PIPE,STEEL | 1 | M | 12X1.4T | RA0654 |
| 154 | 81408000160 | PIPE,STEEL | 1 | M | 12X1.4T | RA0654 |
| 155 | 81408000160 | PIPE,STEEL | 1 | M | 12X1.4T | RA0654 |
| 156 | 81408000160 | PIPE,STEEL | 1 | M | 12X1.4T | RA0654 |
| 157 | 80305010100 | FITTING,TEE | 1 | | KTA12-000N | RA0654 |
| 158 | 37000922540 | JOINT (WITH O-RING) | 1 | | 45,G1/4-G3/8 | RA0654 |
| 159 | 37012402450 | HOSE | 1 | | L=530 | RA0654 |
| 160 | 37002477960 | HOSE | 1 | | L=490 | RA0654 |
| 181 | 36647710000 | VALVE,SOLENOID | 2 | | | |
| 184 | 90172105045 | BOLT,HEXAGON SOCKET | 8 | | M5X45 | |
| 191 | 91002801100 | O-RING | 34 | | 1B P11 | |
| | 91002801100 | O-RING | 8 | | 1B P11 | |
| | 91002801100 | O-RING | 1 | | 1B P11 | RA0654 |
| | 91002801100 | O-RING | 8 | | 1B P11 | RA0654 |
| | 91002801100 | O-RING | 8 | | 1B P11 | RA0874 |
| 201 | 91002802400 | O-RING | 2 | | 1B P24 | |
| 221 | 91002802900 | O-RING | 3 | | 1B P29 | |
| 231 | 91002801800 | O-RING | 1 | | 1B P18 | |
| 241 | 91002801400 | O-RING | 1 | | 1B P14 | |
| 251 | 36671975050 | BODY | 1 | | | |
| 252 | 36671975060 | ELEMENT | 1 | | | |
| 261 | 80316030020 | PLUG | 4 | | PT1/8 | |
| 271 | 36648601000 | FITTING,FLANGE(DOMESTIC PROCUREMENT PAR) | 1 | | | |
| 281 | 36742390000 | FITTING,FLANGE(CHINESE PROCUREMENT PART) | 1 | | | |
| 292 | 80316090020 | PLUG | 4 | | KKT PT1/8 | |

GR-1000-4-00102 5 BOOM + 2 JIB, 2M2D

| Pos No. | Parts No | Parts Name | Qty | Unit | Technical Data | Serial No (Start) | Serial No |
|---------|-------------|---------------------------------|-----|------|----------------|-------------------|-----------|
| 63 | 90186208020 | BOLT,FLANGE | 6 | | M8X20 | | |
| 64 | 37002516500 | HOSE | 1 | | L=200 | | |
| 65 | 37002516490 | HOSE | 1 | | L=175 | | |
| 66 | 91803880110 | CLIP | 4 | | D=10.0-12.2 | | |
| 67 | 36645970000 | VALVE ASSY,SOLENOID (ASSY ONLY) | 1 | | | | |
| 68 | 37000904430 | FITTING,TEE | 1 | | T,R1/4-M16-M16 | | |
| 69 | 37000901290 | FITTING,ELBOW | 3 | | L,R1/4-6.35 | | |
| 70 | 34921111001 | SUPPORT | 1 | | | | |
| 71 | 36101940000 | TANK,BRAKE FLUID | 1 | | | | |
| 72 | 34921313000 | TANK,BRAKE FLUID | 1 | | | | |
| 73 | 90186206020 | BOLT,FLANGE | 4 | | M6X20 | | |
| 74 | 90280200600 | NUT,FLANGE | 4 | | M6 | | |
| 75 | 91810130250 | FASTENER | 1 | | | | |
| 76 | 34340990300 | WIRE | 1 | | | | |
| 77 | 90186206014 | BOLT,FLANGE | 2 | | M6X14 | | |
| 78 | 37000903940 | FITTING | 1 | | S,R3/8-M20 | | |
| 79 | 37000932130 | JOINT | 1 | | R1/2-RC3/8-3/8 | | |
| 80 | 37000918060 | JOINT,BUSHING | 1 | | S R1/4-RC1/8 | | |
| 81 | 37000932750 | PLUG | 1 | | R1/8 | | |
| 82 | 34923776040 | TUBE ASSY | 1 | | 10XT1.25 L=450 | | |
| 104 | 37000923290 | JOINT | 1 | | S,R3/8-R1/4 | RA0773 | |
| 112 | 37000904840 | NUT,FLARE | 2 | | M20 | | |
| 132 | 37000904830 | NUT,FLARE | 6 | | M16 | | |

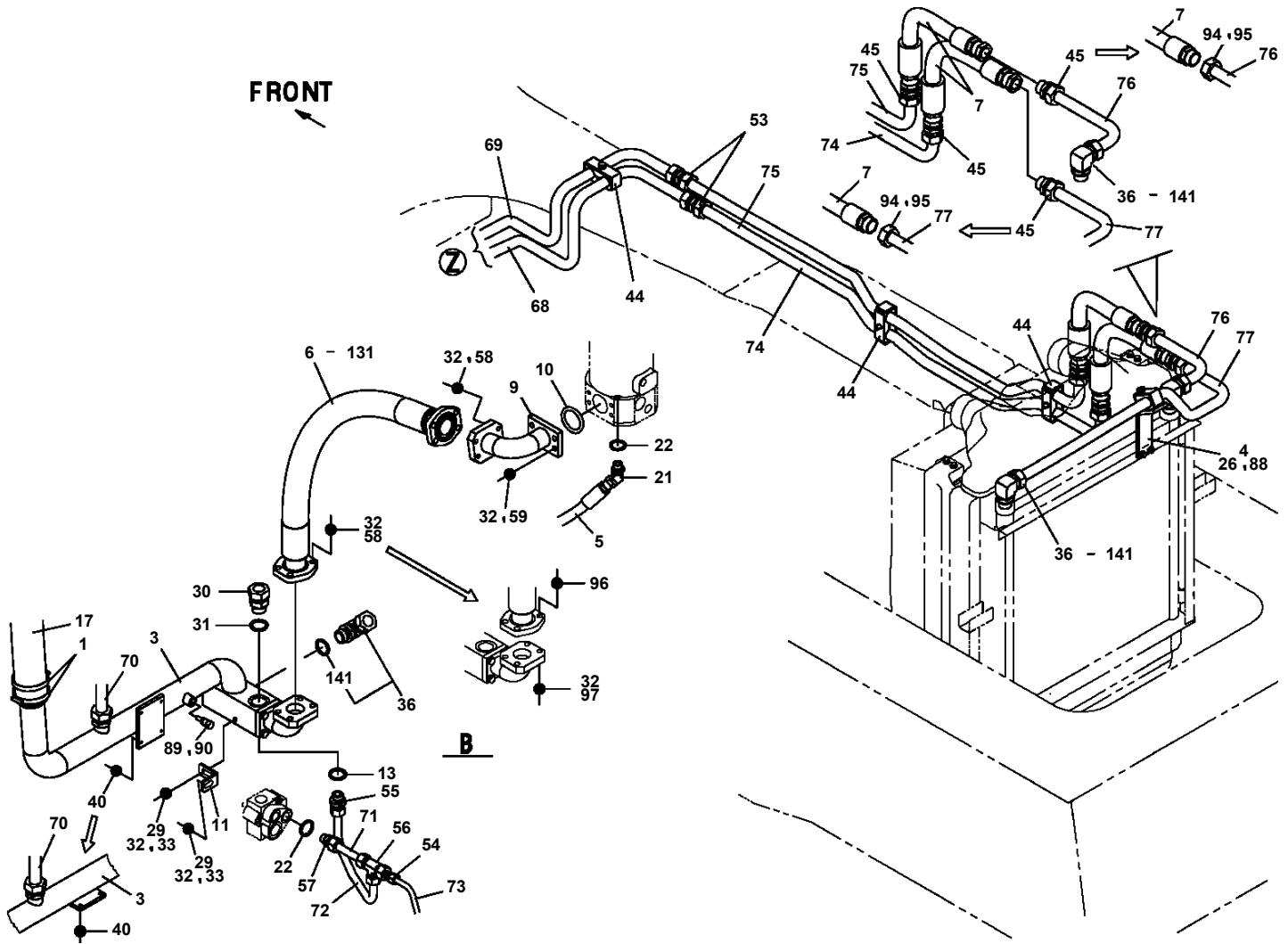
GR-1000-4-00102 5 BOOM + 2 JIB, 2M2D

| Pos No. | Parts No | Parts Name | Qty | Unit | Technical Data | Serial No (Start) | Serial No (End) |
|---------|-------------|-------------------------------|-----|------|-----------------|-------------------|-----------------|
| 1 | 36671270000 | FILTER,OIL (TORQUE CONVERTER) | 1 | | | | |
| 3 | 34922520100 | FITTING,FLANGE | 1 | | | | |
| 4 | 80430451650 | JOINT | 1 | | | | |
| 5 | 80434508080 | JOINT | 3 | | L,G1,G1 | | |
| 6 | 80400160135 | JOINT | 2 | | | | |
| 7 | 80400160137 | JOINT | 1 | | | | |
| 8 | 80430471650 | JOINT | 1 | | 45,R1-G1 | | |
| 9 | 37000912850 | JOINT | 1 | | S,G1-G11/4 | | |
| 10 | 80400160129 | JOINT | 2 | | | | |
| 11 | 80471020503 | JOINT | 1 | | 45,G3/8-G3/8 | | |
| 12 | 37000913040 | JOINT (WITH O-RING) | 2 | | L,G1-G3/4 | | |
| 13 | 37000925030 | JOINT | 1 | | PF3/8-PF3/8 | | |
| 14 | 80481103030 | JOINT | 1 | | L,G3/8-G3/8 | | |
| 15 | 80471020506 | JOINT | 1 | | 45,G3/4-G3/4 | | |
| 16 | 80481110100 | JOINT | 1 | | L,G1-1/4,G1-1/4 | | |
| 18 | 91067101400 | O-RING | 5 | | P14 | | |
| 19 | 91067102400 | O-RING | 1 | | P24 | | |
| 20 | 91067102900 | O-RING | 8 | | P29 | | |
| 21 | 91067103800 | O-RING | 2 | | P38 | | |
| 22 | 91067204000 | O-RING | 1 | | G40 | | |
| 23 | 37002415560 | HOSE | 1 | | L=960 | | |
| 24 | 37002415660 | HOSE | 1 | | L=2650 | | |
| 25 | 37002487190 | HOSE | 1 | | L=1550 | | |
| 26 | 37002490390 | HOSE | 1 | | L=2290 | | |
| 27 | 37002484840 | HOSE | 1 | | L=680 | | |
| 28 | 37012401270 | HOSE | 1 | | L=2560 | | |
| 29 | 37002408900 | HOSE | 1 | | L=2000 | | |
| 30 | 37002490400 | HOSE | 1 | | L=1720 | | |
| 31 | 37002461060 | HOSE | 1 | | L=1600 | | |
| 32 | 91860100045 | CLAMP | 3 | | KCR-W45 | | |
| 33 | 91860100040 | CLAMP | 2 | | KCR-W40 | | |
| 34 | 91860100035 | CLAMP | 13 | | KCR-W35 | | |
| 35 | 91860100020 | CLAMP | 4 | | KCR-W20 | | |
| 36 | 82100002040 | CLAMP | 1 | | WE15 | | |
| 37 | 90186208035 | BOLT,FLANGE | 1 | | M8X35 | | |
| 38 | 90186208025 | BOLT,FLANGE | 9 | | M8X25 | | |
| 39 | 90186210020 | BOLT,FLANGE | 2 | | M10X20 | | |
| 40 | 90280200800 | NUT,FLANGE | 24 | | M8 | | |
| 41 | 91810132530 | FASTENER | 7 | | | | |
| 42 | 82100002535 | TUBE,SPIRAL | N | | SE-29BK | | |
| 43 | 90186210030 | BOLT,FLANGE | 4 | | M10X30 | | |

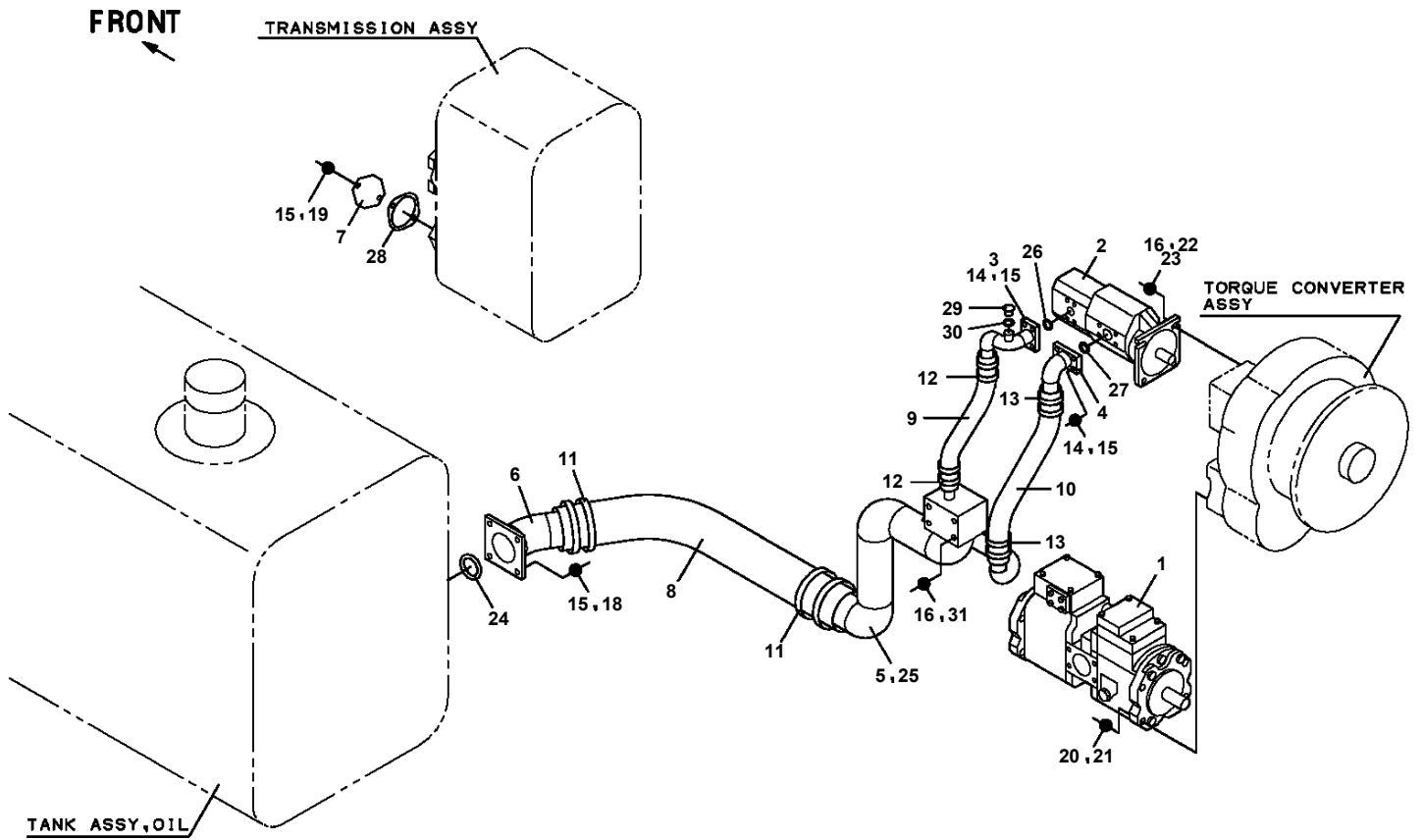
GR-1000-4-00102 5 BOOM + 2 JIB, 2M2D

| Pos No. | Parts No | Parts Name | Qty | Unit | Technical Data | Serial No (Start) | Serial No (End) | Remarks | Pages |
|---------|-------------|------------|-----|------|----------------|-------------------|-----------------|---------|-------|
| 1 | 37000701510 | CLAMP ASSY | 6 | | 12X2 | | | | |
| 2 | 37002431560 | HOSE | 2 | | L=1000 | | | | |
| 3 | 80320010080 | FITTING | 4 | | KUD12-030N | | | | |
| 4 | 80301010100 | FITTING | 4 | | KUA12-000N | | | | |
| 5 | 37000300740 | SLEEVE | 4 | | 18-12 | | | | |
| 6 | 37012406450 | HOSE | 2 | | L=920 | | | | |
| 7 | 37000713120 | CLAMP ASSY | 1 | | 18X4 | | | | |
| 8 | 81408000160 | PIPE,STEEL | 2 | M | 12X1.4T | | | | |
| 9 | 81408000160 | PIPE,STEEL | 3 | M | 12X1.4T | | | | |
| 10 | 81408000160 | PIPE,STEEL | 2 | M | 12X1.4T | | | | |
| 11 | 81408000160 | PIPE,STEEL | 3 | M | 12X1.4T | | | | |
| 12 | 81408000160 | PIPE,STEEL | 2 | M | 12X1.4T | | | | |
| 13 | 81408000160 | PIPE,STEEL | 2 | M | 12X1.4T | | | | |
| 14 | 81408000160 | PIPE,STEEL | 1 | M | 12X1.4T | | | | |
| 15 | 81408000160 | PIPE,STEEL | 2 | M | 12X1.4T | | | | |

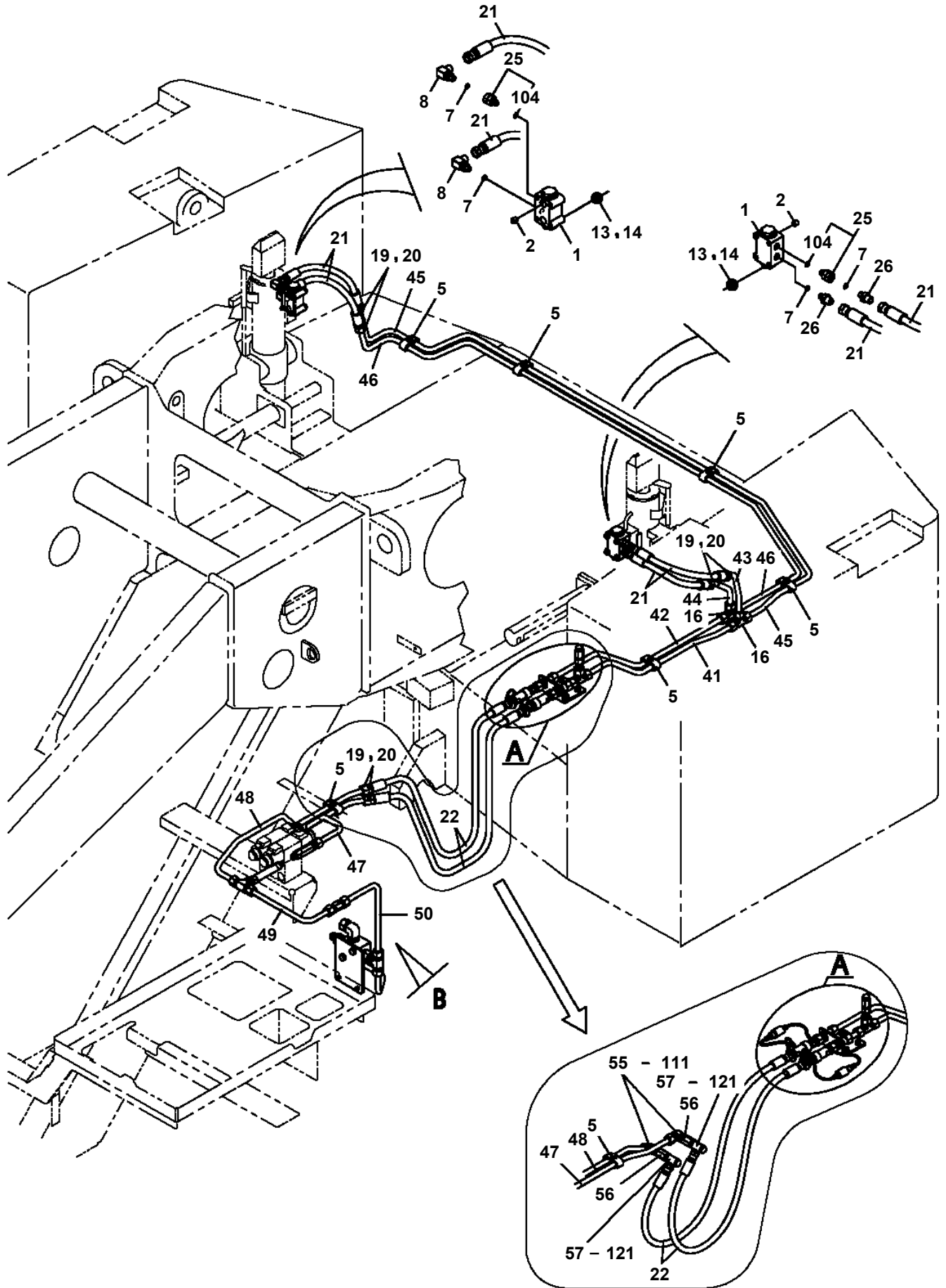
GR-1000-4-00102 5 BOOM + 2 JIB, 2M2D
PP6270129-00 PIPING ASSY, RETURN (LOWER,1)



**GR-1000-4-00102 5 BOOM + 2 JIB, 2M2D
PP6300035-00 PIPING ASSY,SUCTION**

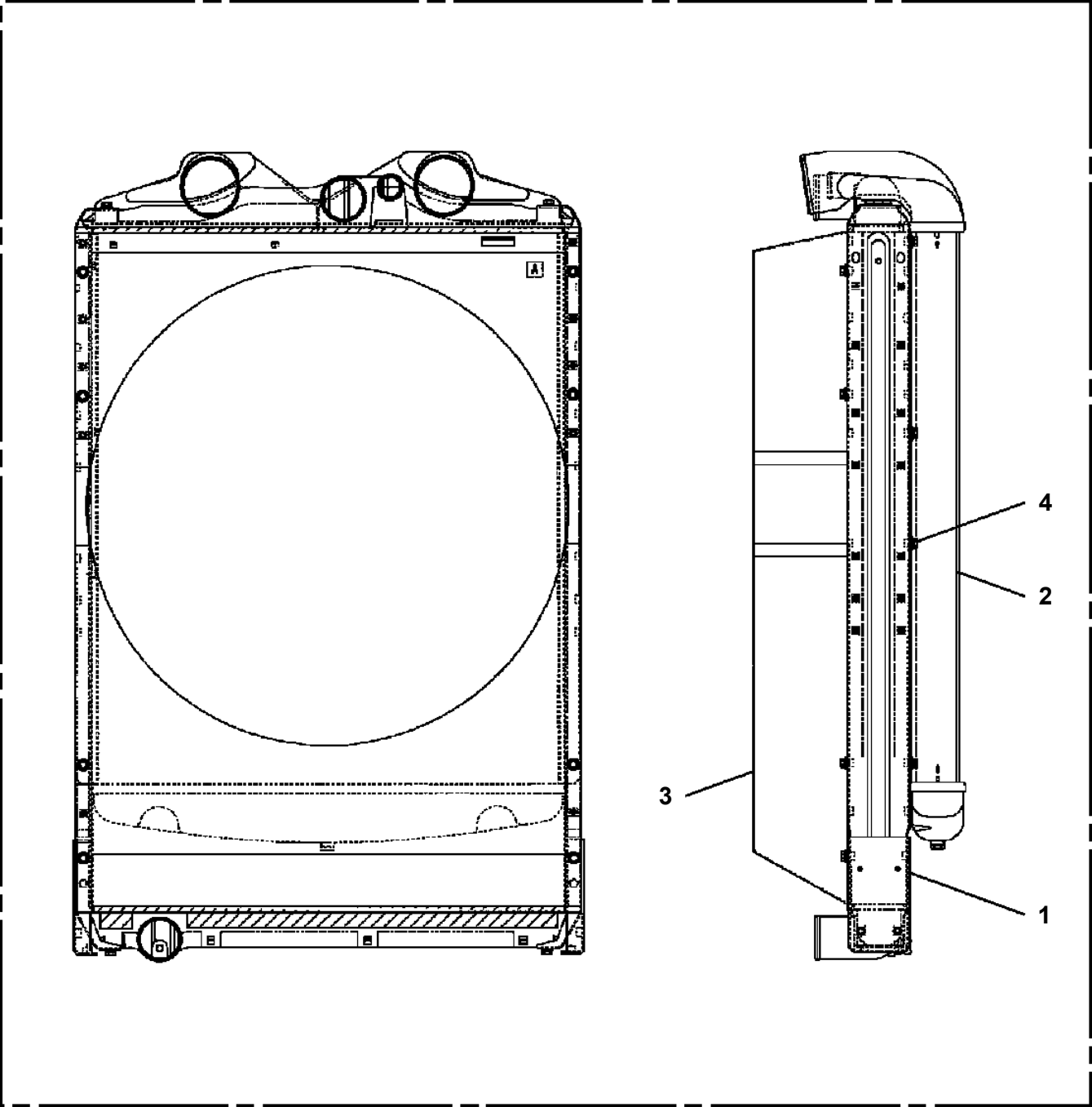


GR-1000-4-00102 5 BOOM + 2 JIB, 2M2D
PP6380008-00 PIPING ASSY,WEIGHT REMOVE

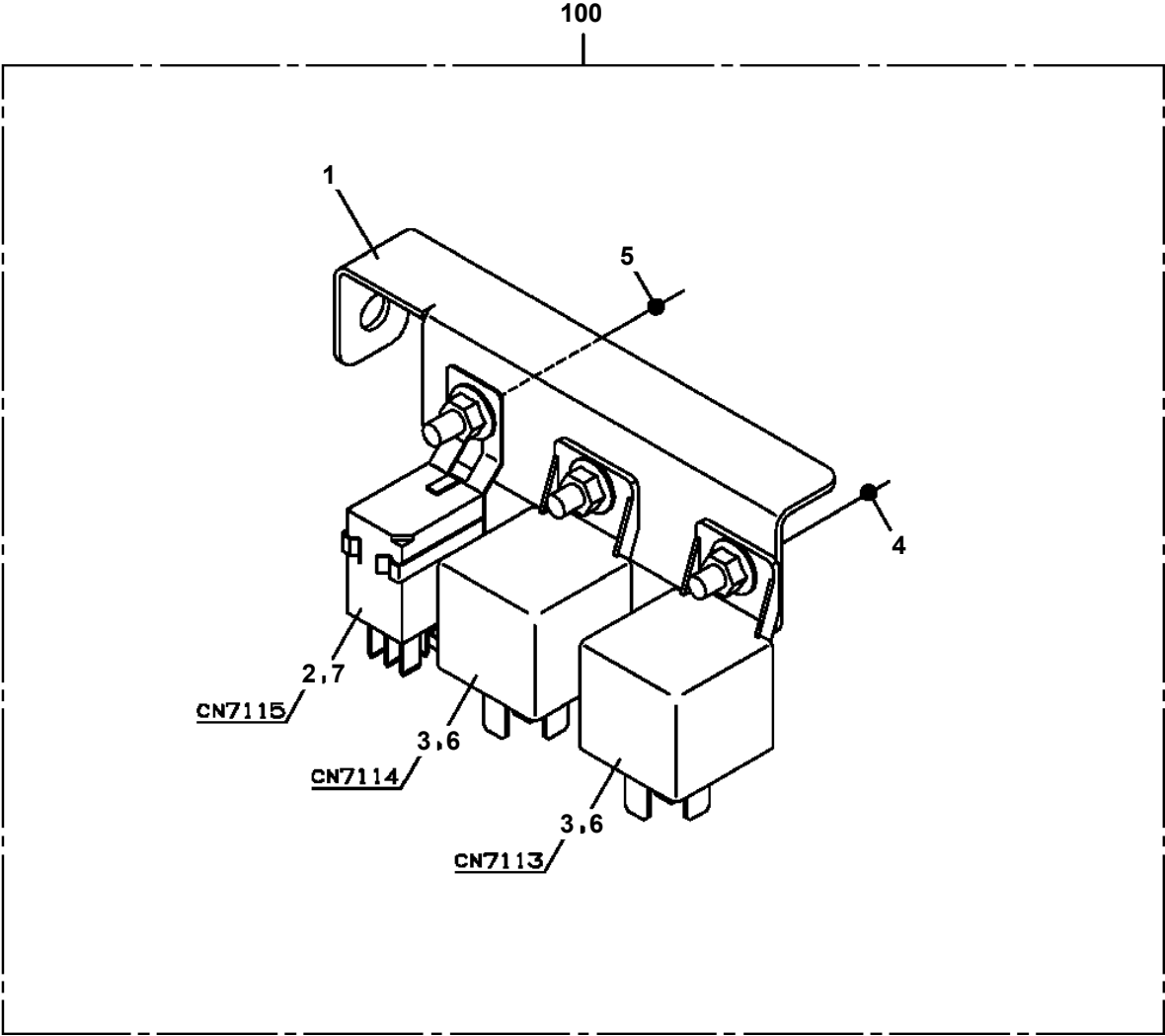


GR-1000-4-00102 5 BOOM + 2 JIB, 2M2D
PR5020003-00 RADIATOR ASSY

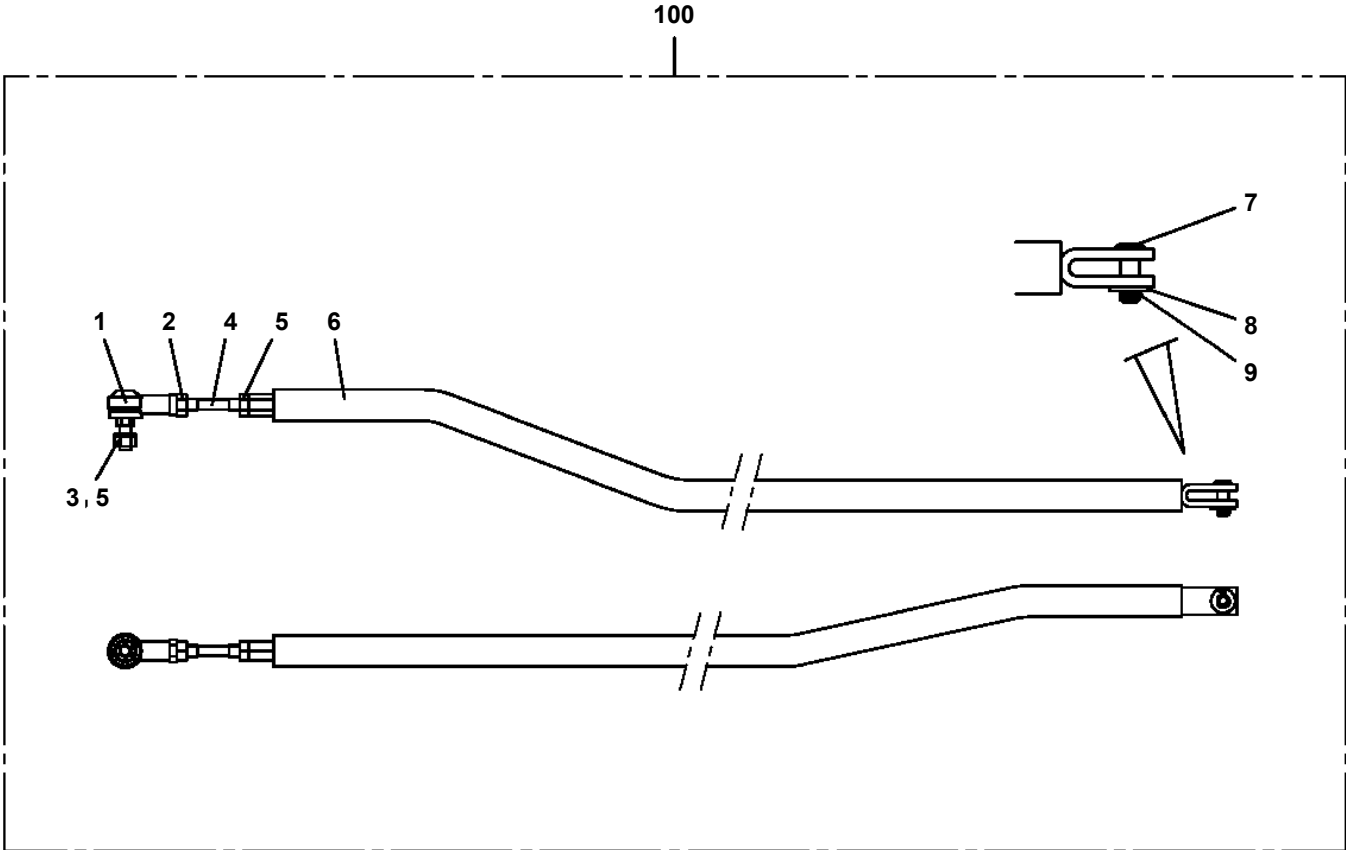
100



GR-1000-4-00102 5 BOOM + 2 JIB, 2M2D
PR5090253-00 RELAY ASSY

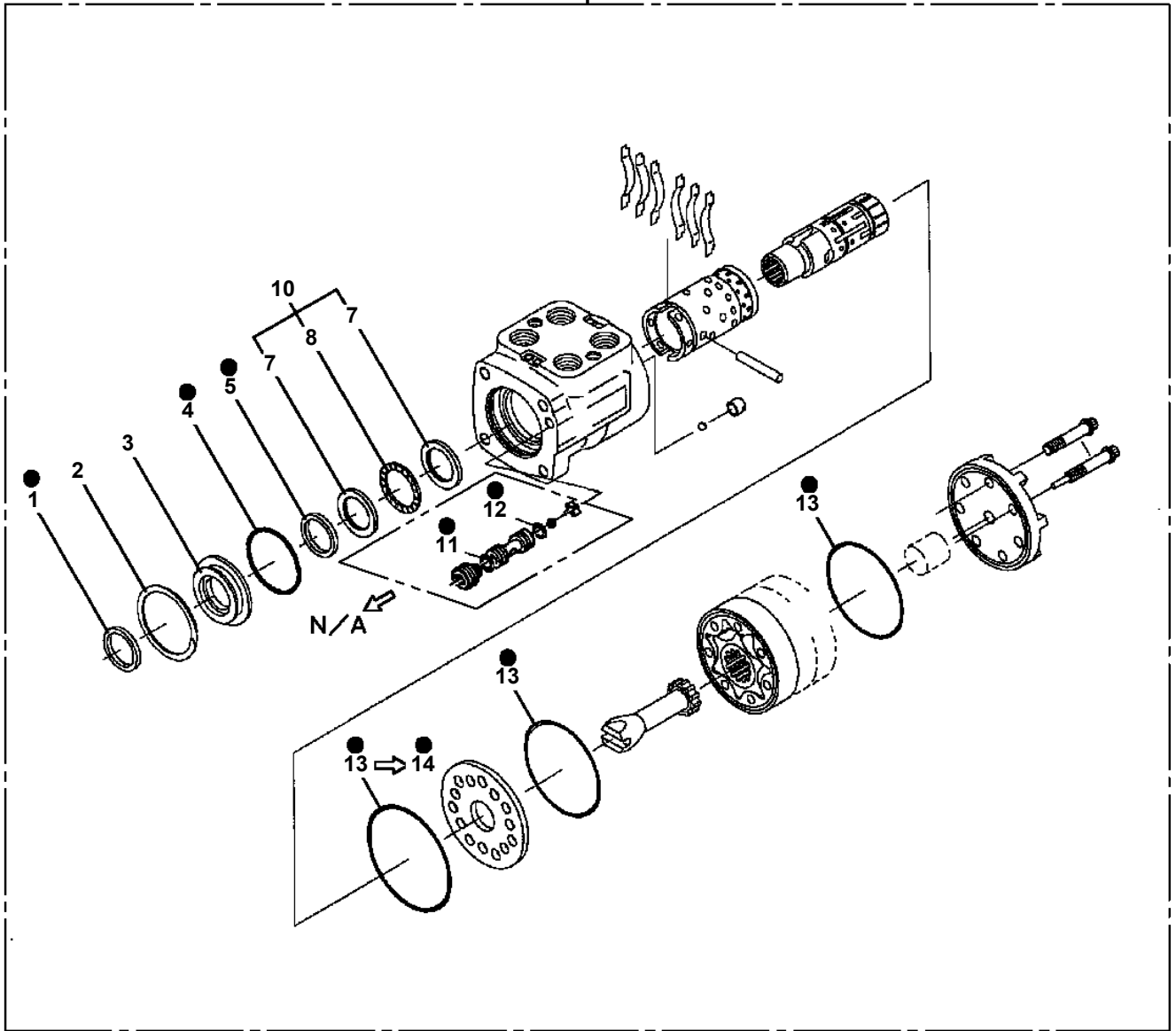


GR-1000-4-00102 5 BOOM + 2 JIB, 2M2D
PR5140007-00 ROD ASSY



**GR-1000-4-00102 5 BOOM + 2 JIB, 2M2D
PS1340002-02 ORBITROL**

20

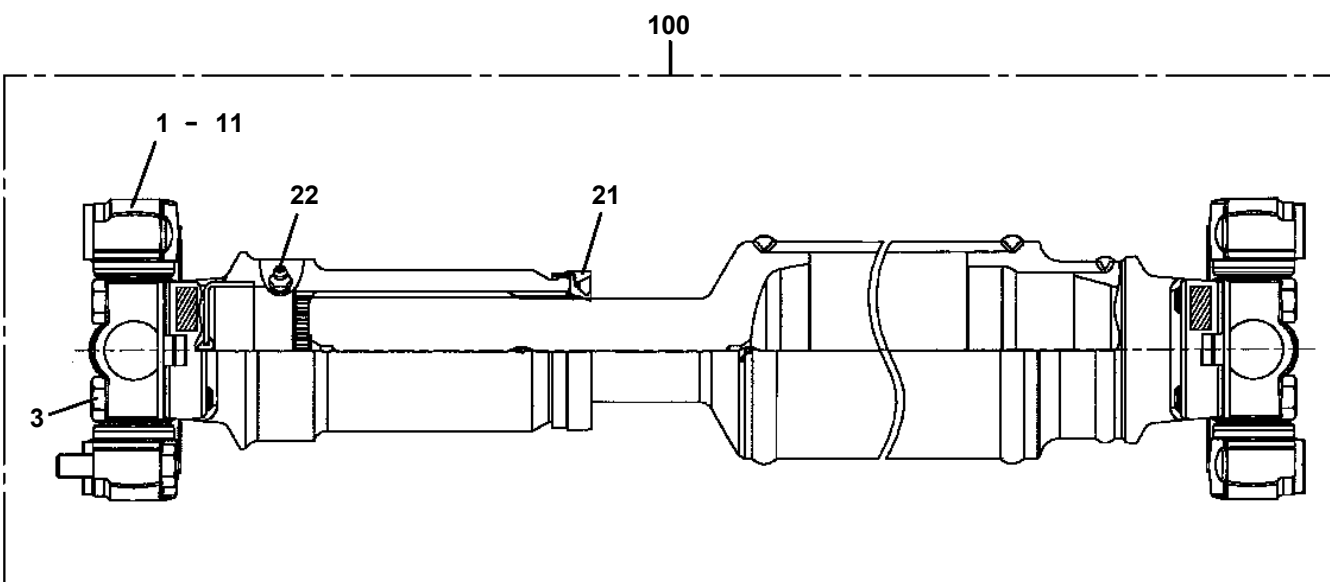


● :SEAL KIT KEY NO. 15 (KEY NO.1,4,5,11,12,13)

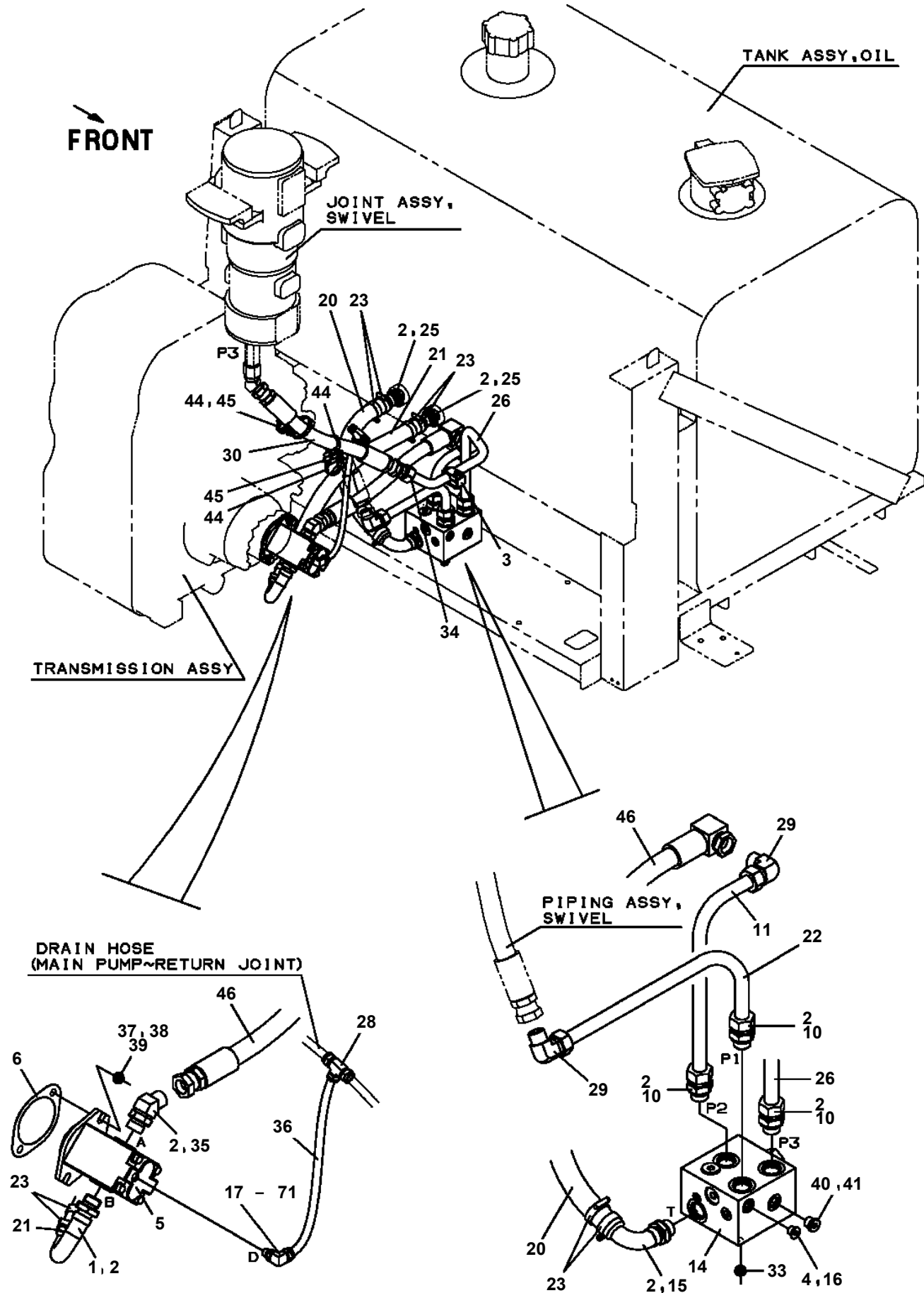


● :SEAL KIT KEY NO. 16 (KEY NO.1,4,5,13,14)

GR-1000-4-00102 5 BOOM + 2 JIB, 2M2D
PS5170055-00 SHAFT ASSY, PROPELLER

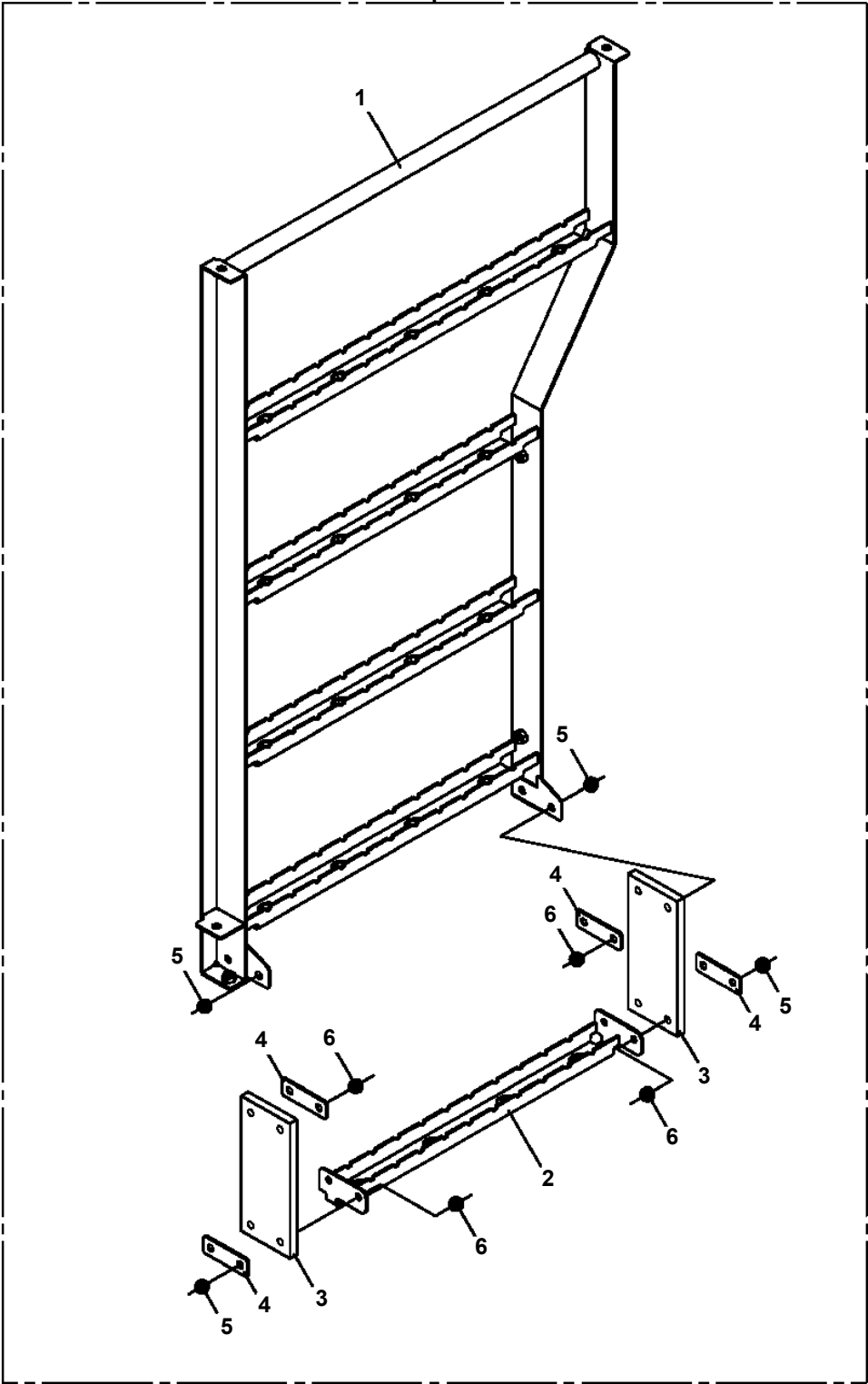


GR-1000-4-00102 5 BOOM + 2 JIB, 2M2D
PS5340059-00 STEERING ASSY (EMERGENCY:WITHOUT LOW PRESSURE ALARM)

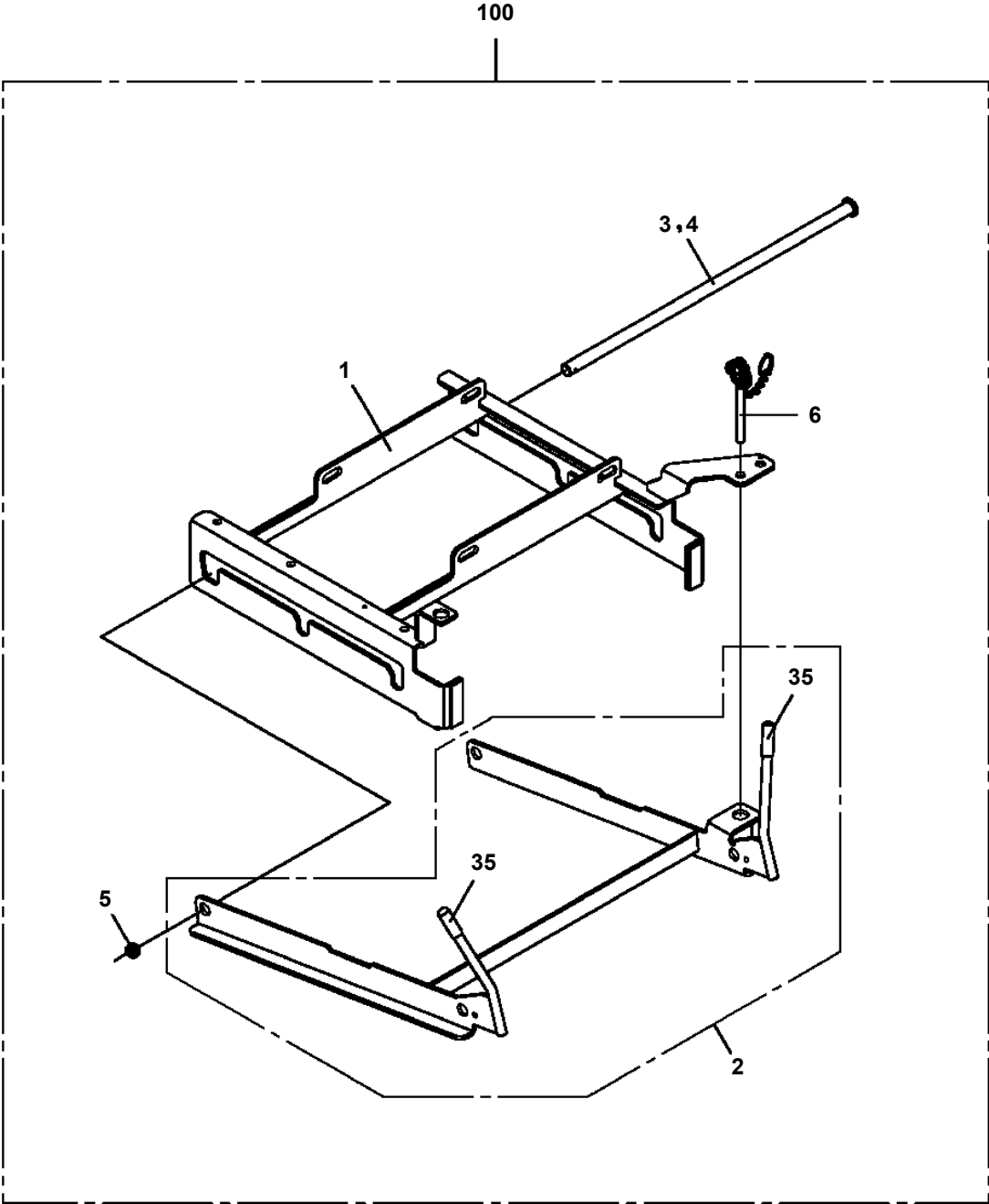


GR-1000-4-00102 5 BOOM + 2 JIB, 2M2D
PS5360030-00 STEP ASSY

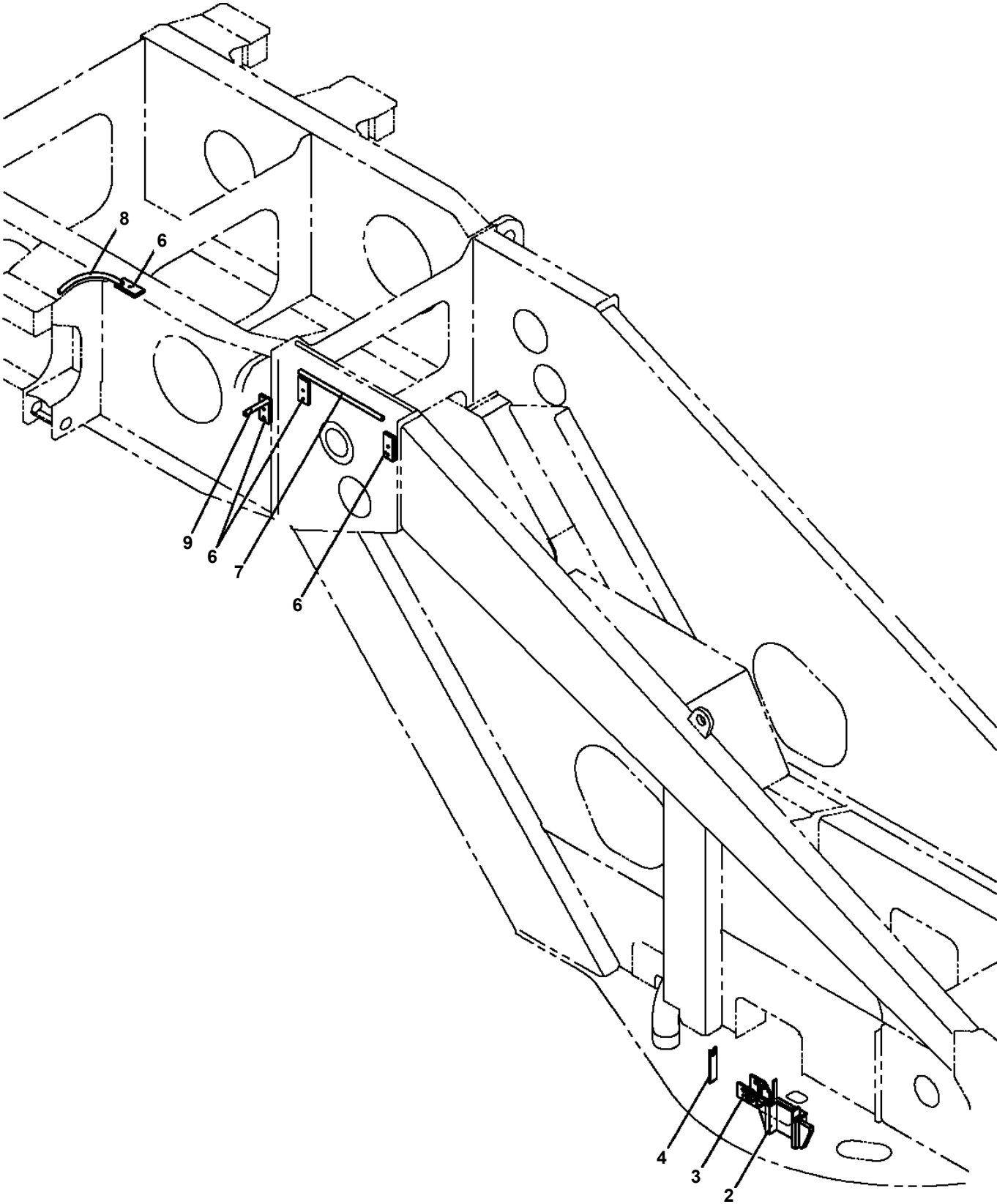
100



GR-1000-4-00102 5 BOOM + 2 JIB, 2M2D
PS5420565-00 SUPPORT ASSY

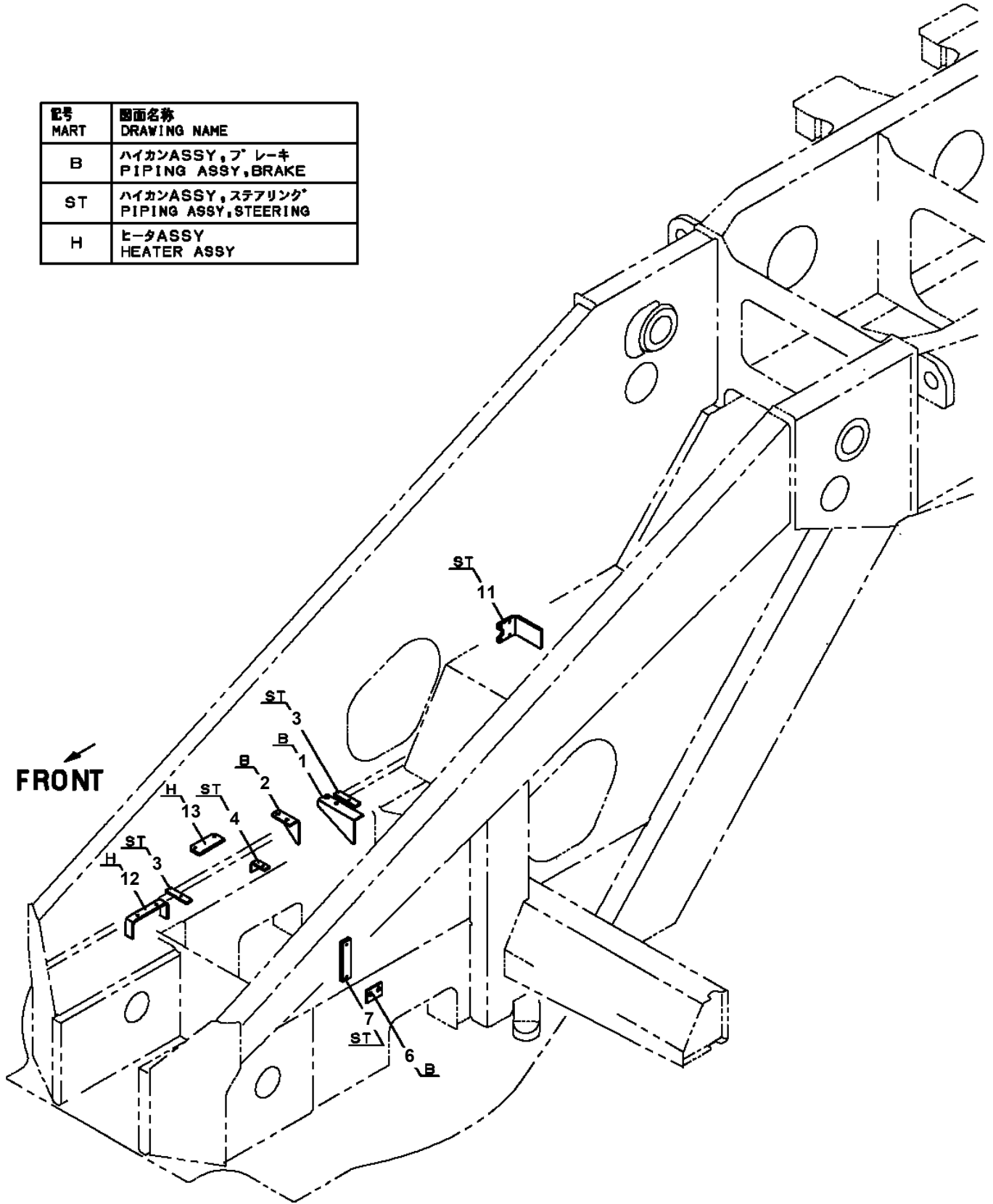


GR-1000-4-00102 5 BOOM + 2 JIB, 2M2D
PS5420574-01 SUPPORT ASSY (SWING LOCK)

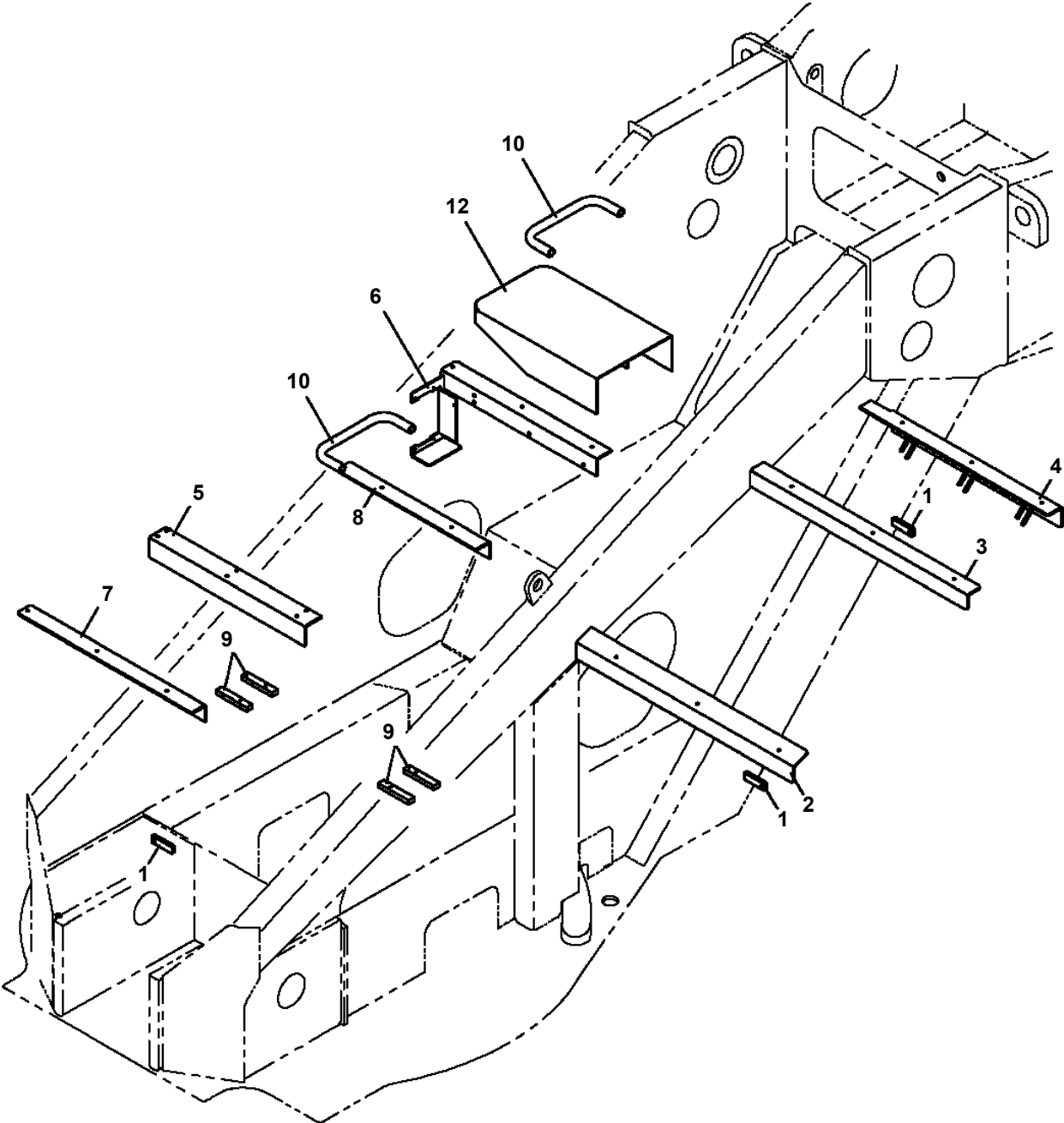


GR-1000-4-00102 5 BOOM + 2 JIB, 2M2D
 PS5420579-00 SUPPORT ASSY (AIR,STEERING)

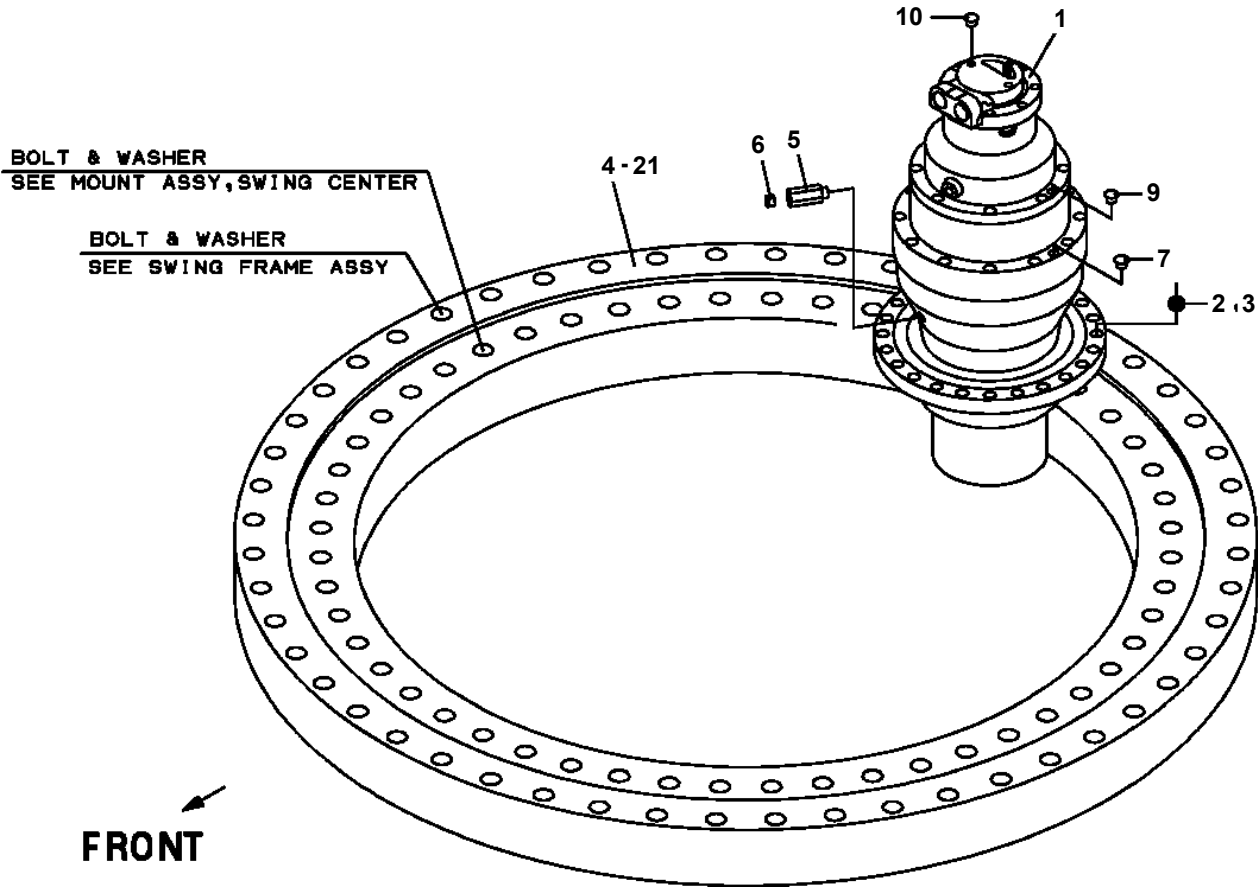
| 記号 MART | 図面名称 DRAWING NAME |
|------------|---|
| B | ハイカンASSY, ブレーキ PIPING ASSY, BRAKE |
| ST | ハイカンASSY, ステアリング PIPING ASSY, STEERING |
| H | ヒータASSY HEATER ASSY |



GR-1000-4-00102 5 BOOM + 2 JIB, 2M2D
PS5420589-00 SUPPORT ASSY (OUTER COVERING)



GR-1000-4-00102 5 BOOM + 2 JIB, 2M2D
PS5500010-00 SWING ASSY



GR-1000-4-00102 5 BOOM + 2 JIB, 2M2D

| Pos No. | Parts No | Parts Name | Qty | Unit | Technical Data | Serial No (Start) | Serial No |
|---------|-------------|-----------------------|-----|------|----------------|-------------------|-----------|
| 123 | 82400000201 | GROMMET | 1 | | KG-016 | | |
| 141 | 34252097000 | SUPPORT | 1 | | | | |
| 142 | 34252093410 | LEVEL | 1 | | | | |
| 143 | 80172303010 | SCREW,MACHINE | 3 | | M3X10 | | |
| 144 | 34252093420 | LAMP ASSY (ASSY ONLY) | 1 | | | | RA0833 |
| | 34252093430 | LAMP ASSY (ASSY ONLY) | 1 | | | RA0834 | |

GR-1000-4-00102 5 BOOM + 2 JIB, 2M2D

| Pos No. | Parts No | Parts Name | Qty | Unit | Technical Data | Serial No (Start) | Serial No (End) |
|---------|-------------|--|-----|------|----------------|-------------------|-----------------|
| 1 | 34351963900 | SWITCH ASSY | 1 | | | | |
| 23 | 82100002307 | COVER (CONTACT BLOCK PROTECTION/BLACK) | 1 | | | | |

GR-1000-4-00102 5 BOOM + 2 JIB, 2M2D

| Pos No. | Parts No | Parts Name | Qty | Unit | Technical Data | Serial No (Start) | Serial No (End) |
|---------|-------------|-----------------------------------|-----|------|----------------|-------------------|-----------------|
| 1 | 34355811010 | SWITCH ASSY (ASSY ONLY) | 1 | | | | |
| 2 | 34355271120 | SWITCH,ROCKER (POWER WINDOW) | 1 | | | | |
| 3 | 34355271150 | SWITCH ASSY (DRIVE MODE SELECTOR) | 1 | | | | |
| 4 | 34355271190 | CAP | 4 | | | | |
| 5 | 34356111110 | SOCKET | 1 | | | | |
| 6 | 34355811110 | SOCKET (USB,ASSY ONLY) | 1 | | | | |
| 7 | 34351961360 | SWITCH ASSY | 1 | | | | |
| 8 | 34352371130 | SWITCH ASSY | 1 | | | | |
| 9 | 90201200400 | NUT | 2 | | M4 | | |
| 10 | 90303070401 | WASHER,PLAIN | 2 | | 4 | | |

GR-1000-4-00102 5 BOOM + 2 JIB, 2M2D

| Pos No. | Parts No | Parts Name | Qty | Unit | Technical Data | Serial No (Start) | Serial No (End) | Remarks | Pa |
|---------|-------------|---------------------|-----|------|----------------|-------------------|-----------------|---------|----|
| 50 | 36604515010 | REPAIR KIT | 1 | | | | | | |
| 60 | 36601005090 | REPAIR KIT (SPRING) | 1 | | | | | | |
| 100 | 36604510000 | VALVE,BRAKE | 1 | | | | | | |

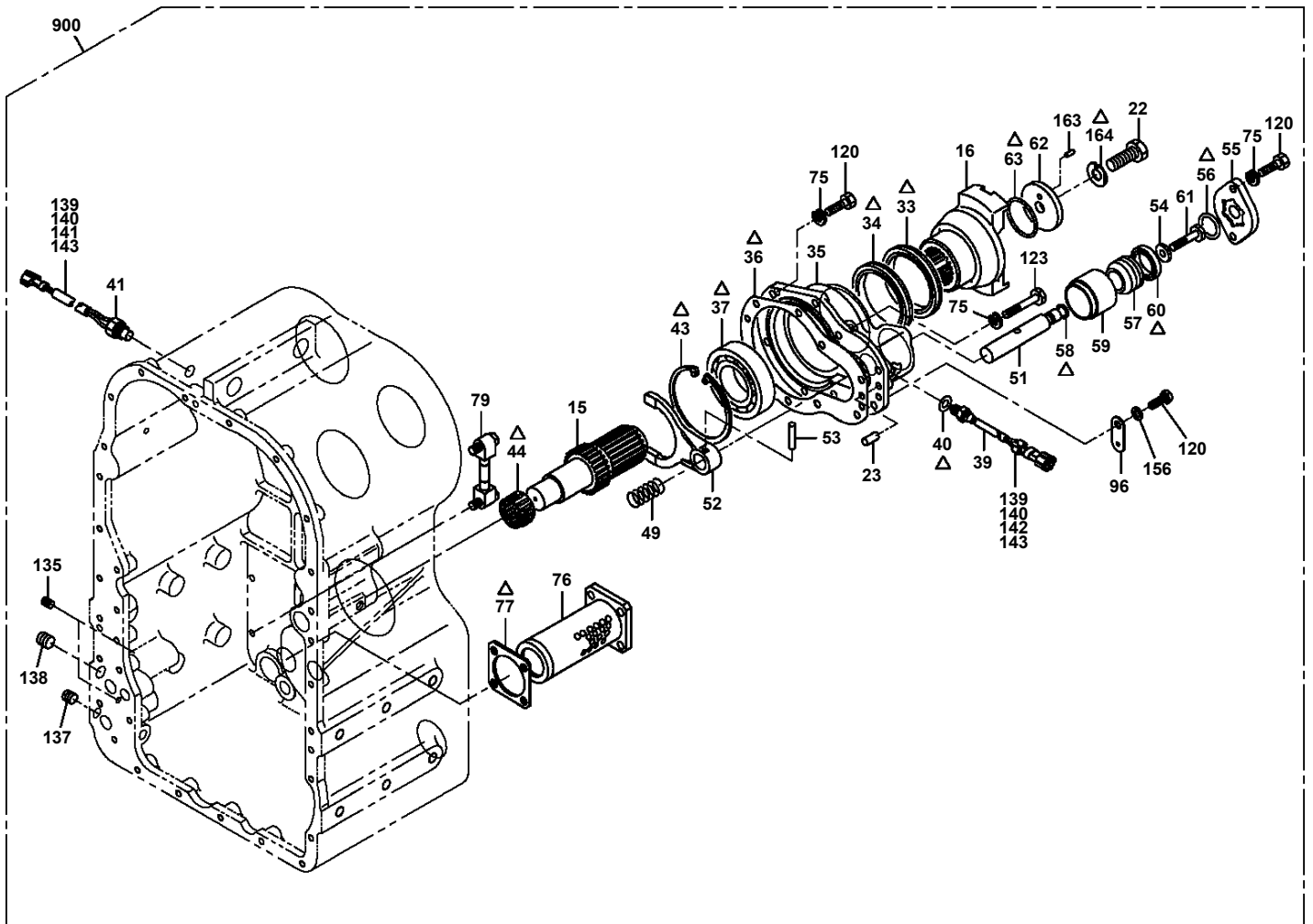
GR-1000-4-00102 5 BOOM + 2 JIB, 2M2D

| Pos No. | Parts No | Parts Name | Qty | Unit | Technical Data | Serial No (Start) | Serial No (End) | Remarks |
|---------|-------------|----------------------|-----|------|----------------|-------------------|-----------------|---------|
| 1 | 36061425120 | CASING ASSY | 1 | | | | | |
| 3 | 36061435010 | RING,BACKUP | 1 | | | | | |
| 5 | 36061425100 | RING | 1 | | | | | |
| 6 | 80602110400 | RING,RITAINING | 1 | | R40 | | | |
| 8 | 36061425070 | PISTON | 1 | | | | | |
| 14 | 36061425080 | PISTON | 1 | | | | | |
| 16 | 36061425090 | PIN (PISTON) | 1 | | | | | |
| 22 | 36061425010 | SCREW (AIR BREATHER) | 1 | | | | | |
| 23 | 36061425110 | CAP | 1 | | | | | |
| 25 | 36061425130 | PLUG | 1 | | | | | |
| 26 | 36061425140 | WASHER (LOCK) | 1 | | | | | |
| 28 | 36061425050 | PIPE,EXHAUST | 1 | | | | | |
| 31 | 91001101200 | O-RING | 1 | | 1A P12 | | | |
| 33 | 36061425020 | VALVE,RELAY | 1 | | | | | |
| 36 | 36061425030 | NIPPLE | 1 | | | | | |
| 50 | 36061425040 | REPAIR KIT (A) | 1 | | | | | |
| 60 | 36061425060 | REPAIR KIT (B) | 1 | | | | | |
| 71 | 91001103600 | O-RING | 2 | | 1A P36 | | | |
| 100 | 36061420000 | BOOSTER (BRAKE) | 1 | | | | | |

GR-1000-4-00102 5 BOOM + 2 JIB, 2M2D

| Pos No. | Parts No | Parts Name | Qty | Unit | Technical Data | Serial No (Start) | Serial No (End) | Rema |
|---------|-------------|--------------------------|-----|------|----------------|-------------------|-----------------|------|
| 1 | (*****) | TELESCOPE ASSY | 1 | | | | | |
| 2 | 34202164580 | SUPPORT (PLATE WORKING) | 1 | | | | | |
| | 34202160460 | SUPPORT (CAST) | 1 | | | | | |
| 3 | 34202160410 | SUPPORT (CAST) | 1 | | | | | |
| | 34202164570 | SUPPORT (PLATE WORKING) | 1 | | | | | |
| 4 | 90171114045 | BOLT | 6 | | M14X45 | | | |
| 5 | 37002016330 | PLATE,SLIDE | 1 | | | | | |
| 6 | 80185306016 | SCREW,MACHINE | 4 | | M6X16 | | | |
| 7 | 37001925880 | ROPE,WIRE (TESAC SHINKO) | 4 | | 20X21.453M | | | |
| 31 | 37001000270 | SHEAVE ASSY | 4 | | | | | |
| 32 | 37000505440 | PLATE | 6 | | T=1.6 | | | |
| 33 | 37010100180 | PIN | 1 | | | | | |
| 34 | 33201210850 | SUPPORT | 1 | | | | | |
| 35 | 90172110016 | BOLT,HEXAGON SOCKET | 4 | | M10X16 | | | |
| 36 | 37010100240 | PIN | 1 | | | | | |
| 37 | 80136340036 | PIN,SPLIT | 2 | | 4X36 | | | |
| 51 | 80520045013 | BEARING,ROLLER | 4 | | | | | |

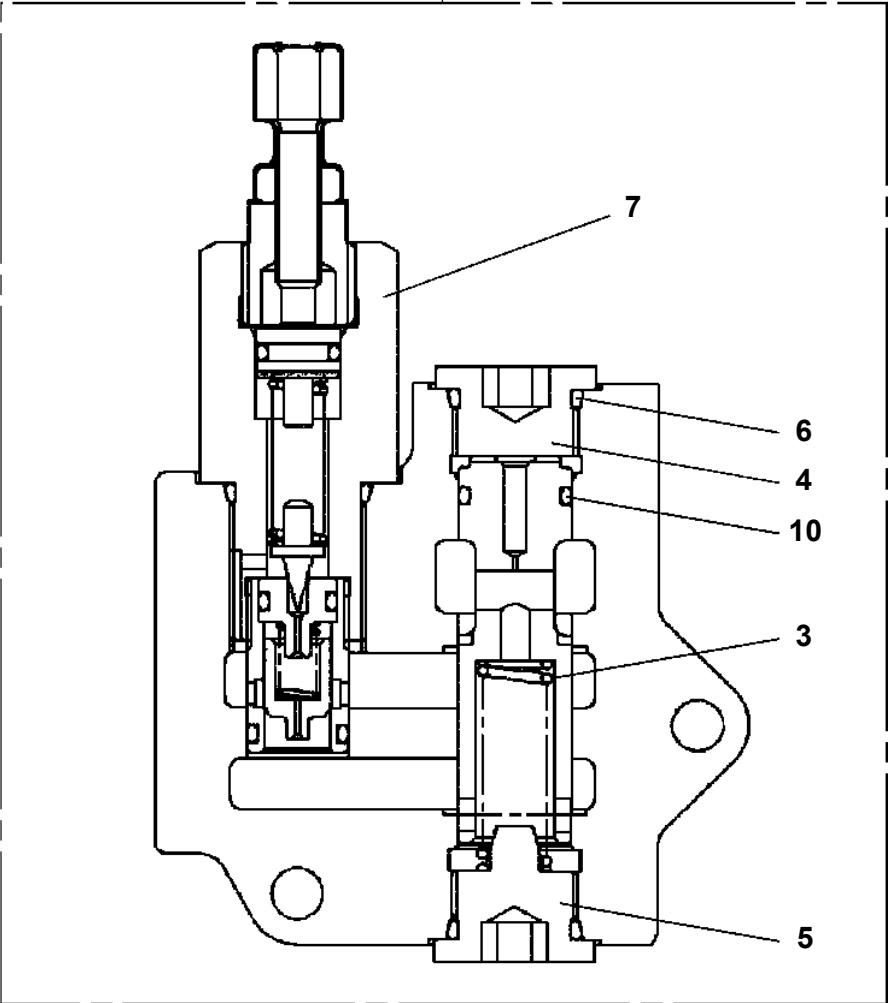
GR-1000-4-00102 5 BOOM + 2 JIB, 2M2D
PT5650061-01 TRANSMISSION ASSY



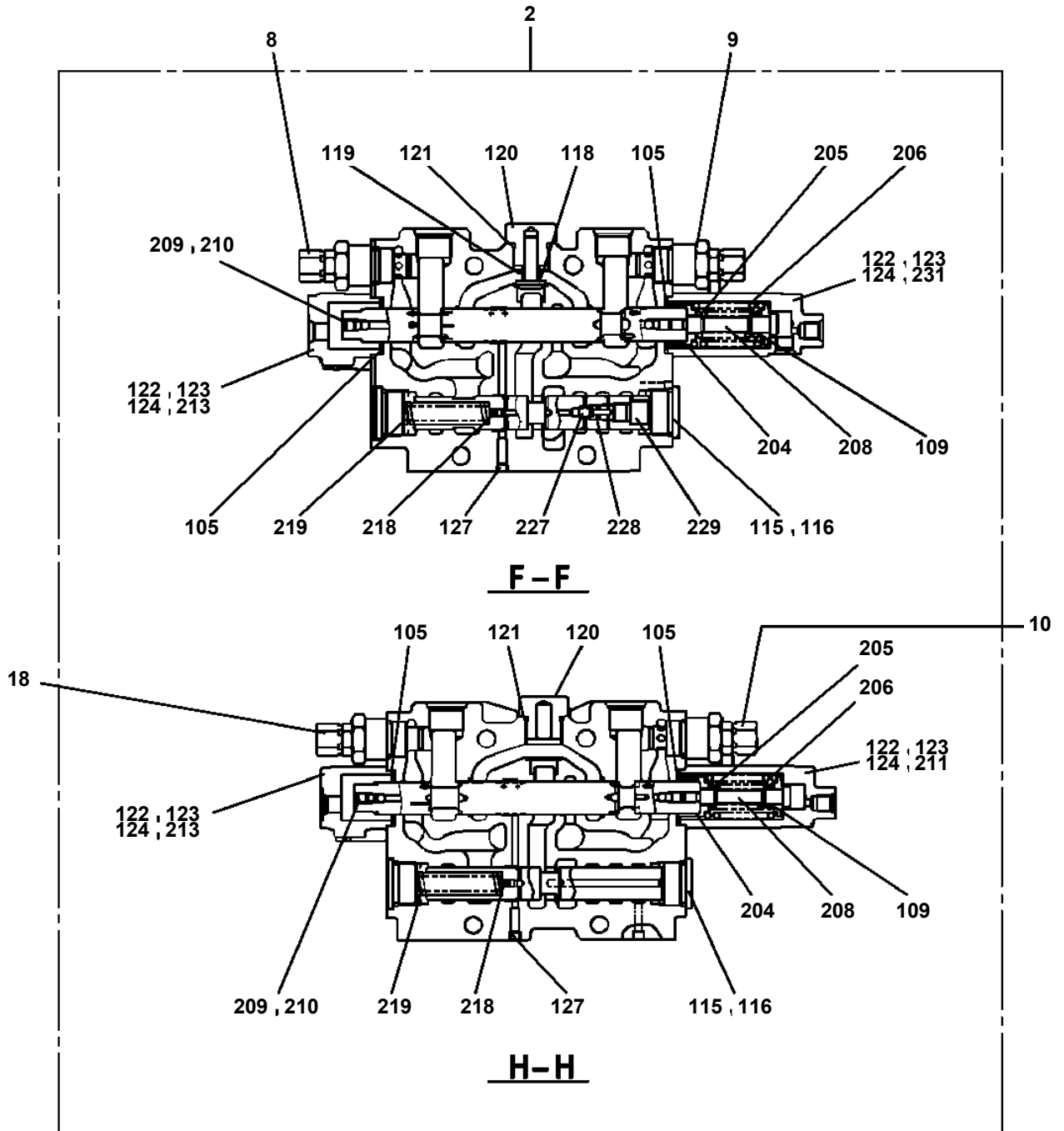
Δ: OVERHAUL KIT KEY NO. 300 (KEY NO. 33, 34, 36, 37, 40, 43, 44, 56, 58, 60, 63, 77, 164)

GR-1000-4-00102 5 BOOM + 2 JIB, 2M2D
PV5080004-00 VALVE ASSY,FLOW CONTROL

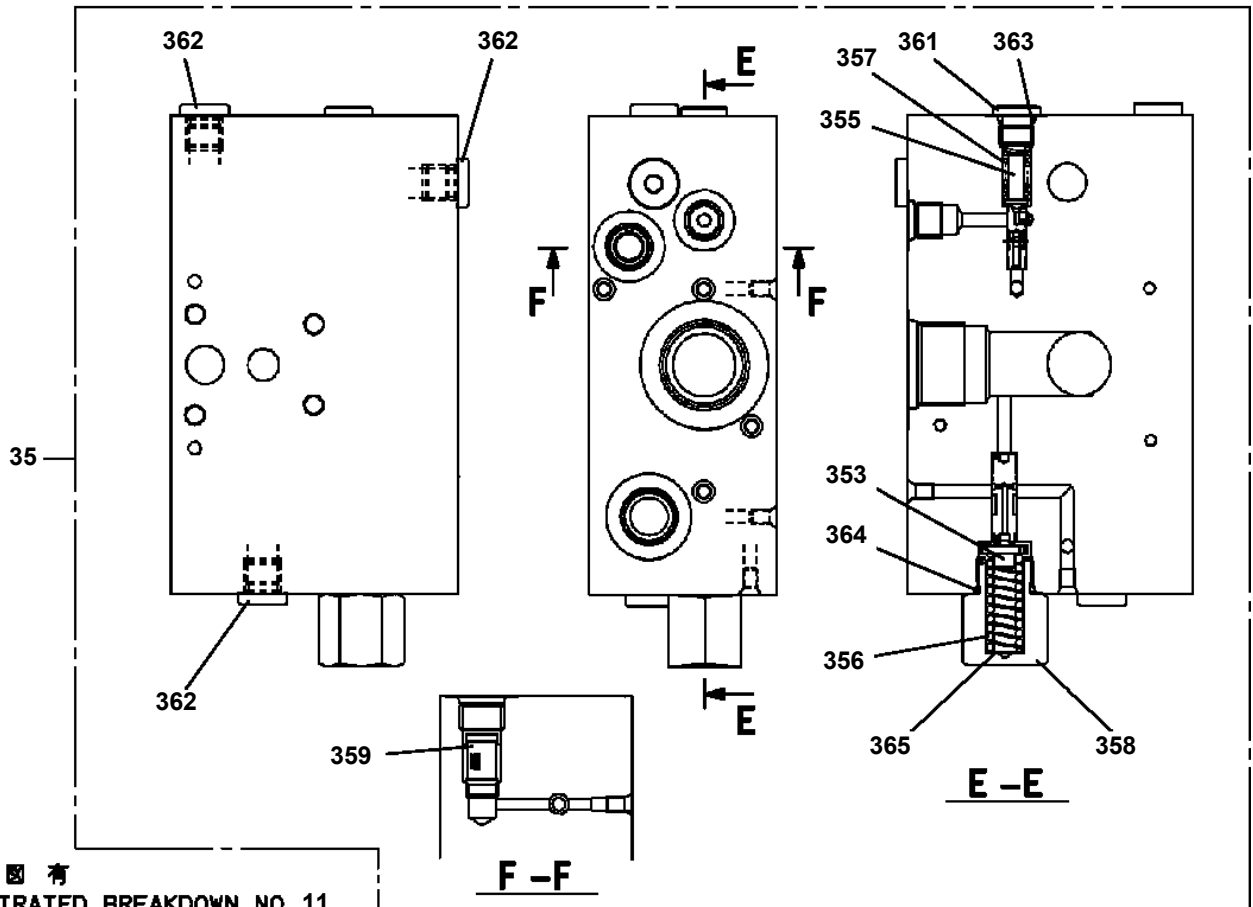
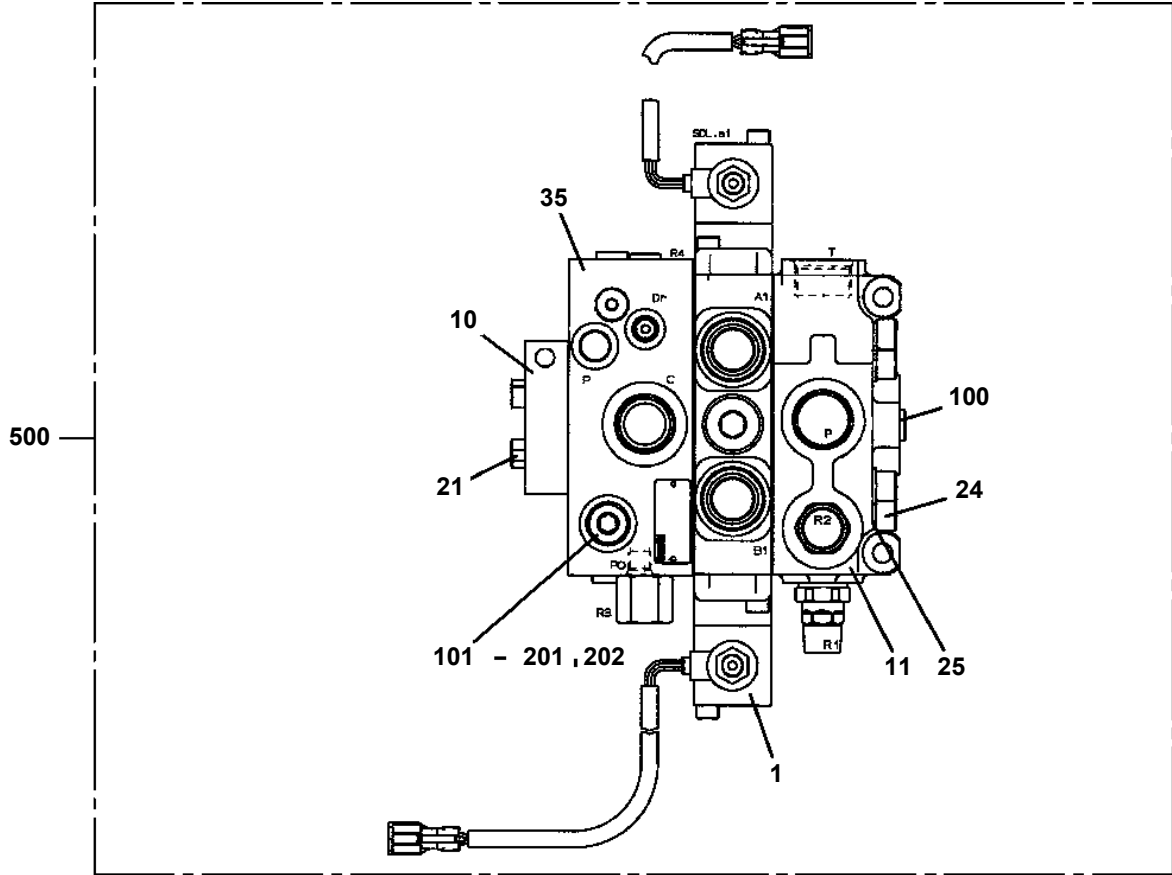
100



**GR-1000-4-00102 5 BOOM + 2 JIB, 2M2D
PV5170036-00 VALVE ASSY,SELECTOR**

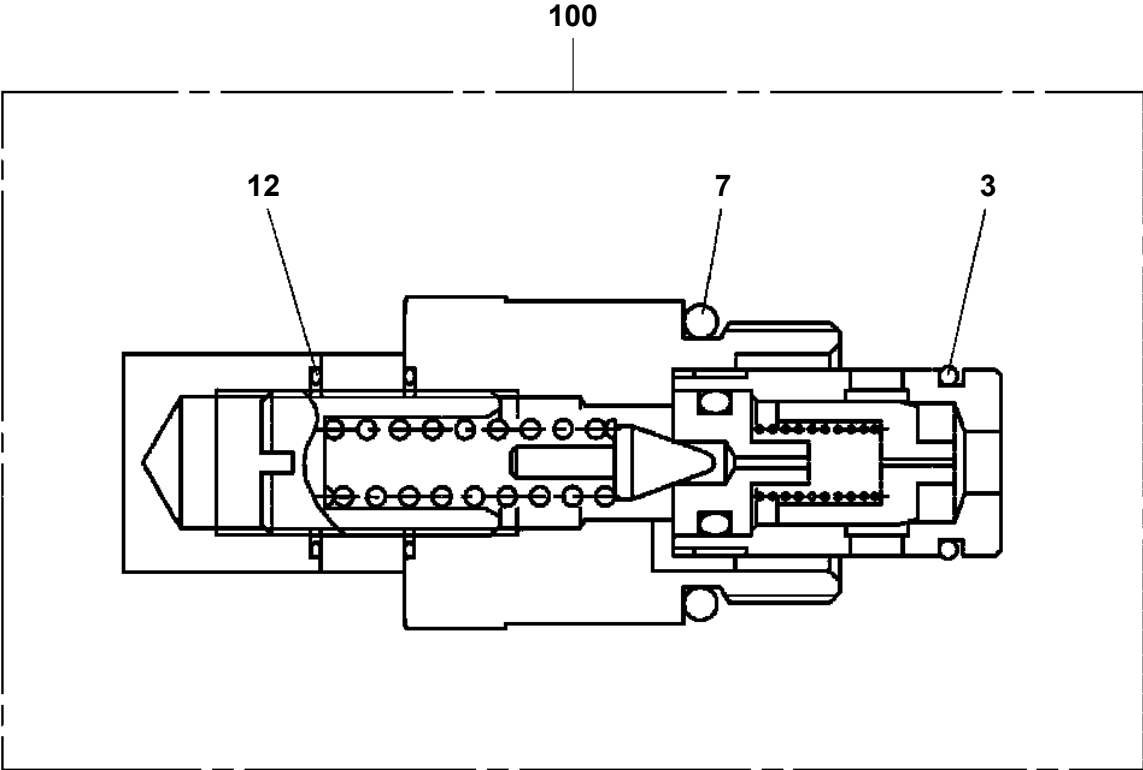


GR-1000-4-00102 5 BOOM + 2 JIB, 2M2D
 PV5240045-00 VALVE ASSY,SOLENOID

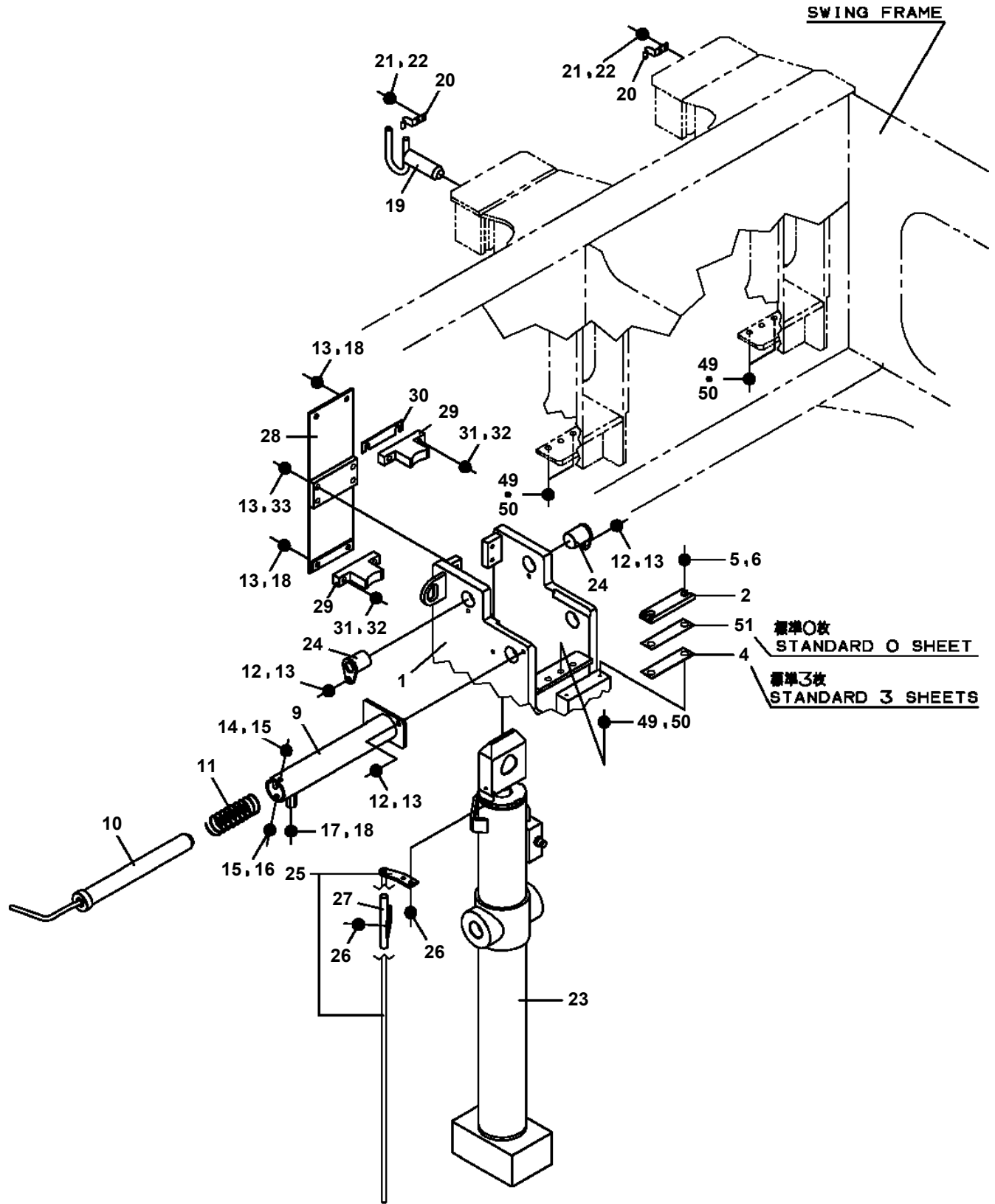


展開圖有
 ILLUSTRATED BREAKDOWN NO. 11

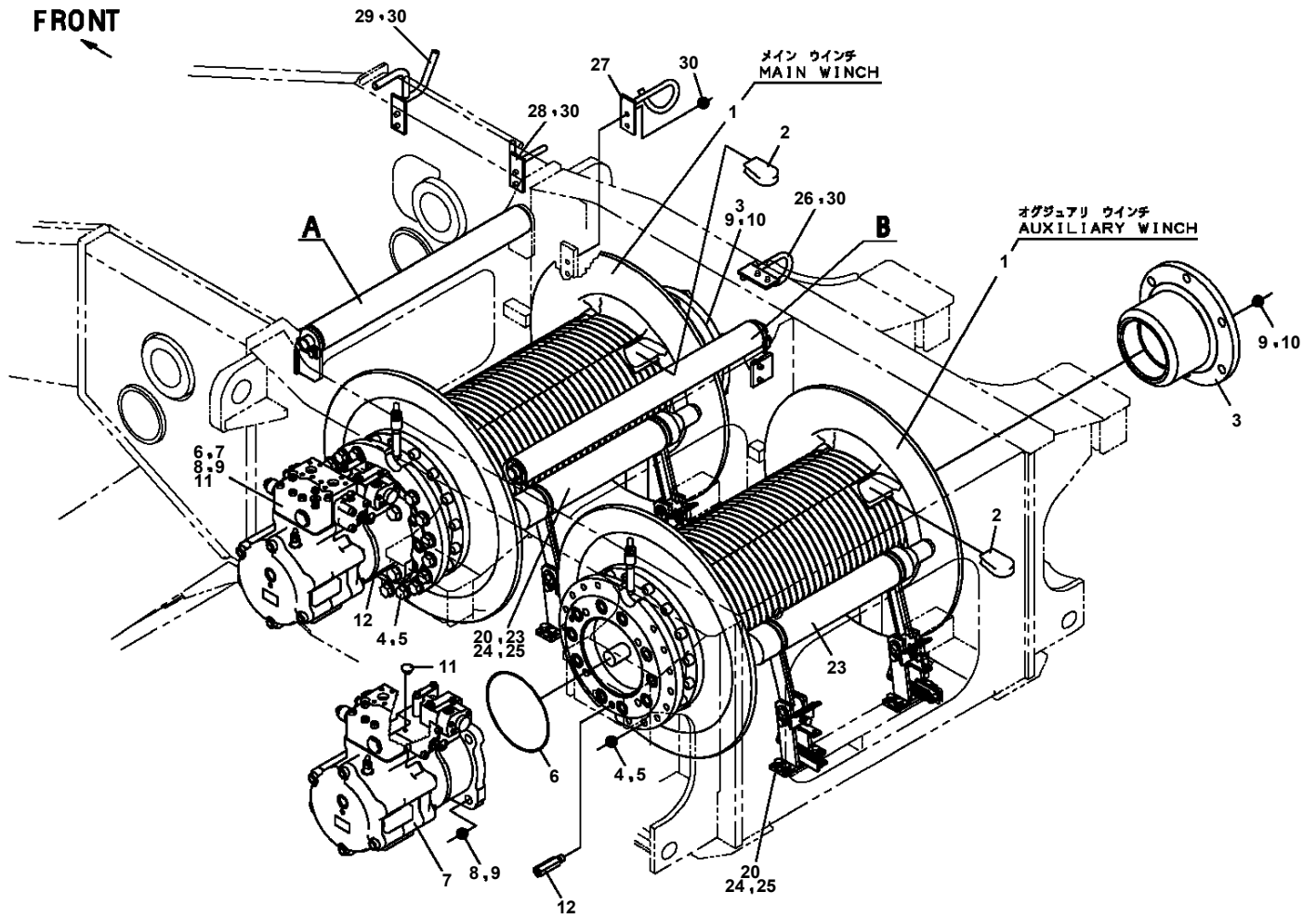
**GR-1000-4-00102 5 BOOM + 2 JIB, 2M2D
PV5480014-00 VALVE,OVERLOAD RELIEF**



**GR-1000-4-00102 5 BOOM + 2 JIB, 2M2D
PW5020071-01 WEIGHT ASSY**



GR-1000-4-00102 5 BOOM + 2 JIB, 2M2D
PW5070046-00 WINCH ASSY (MOUNT)



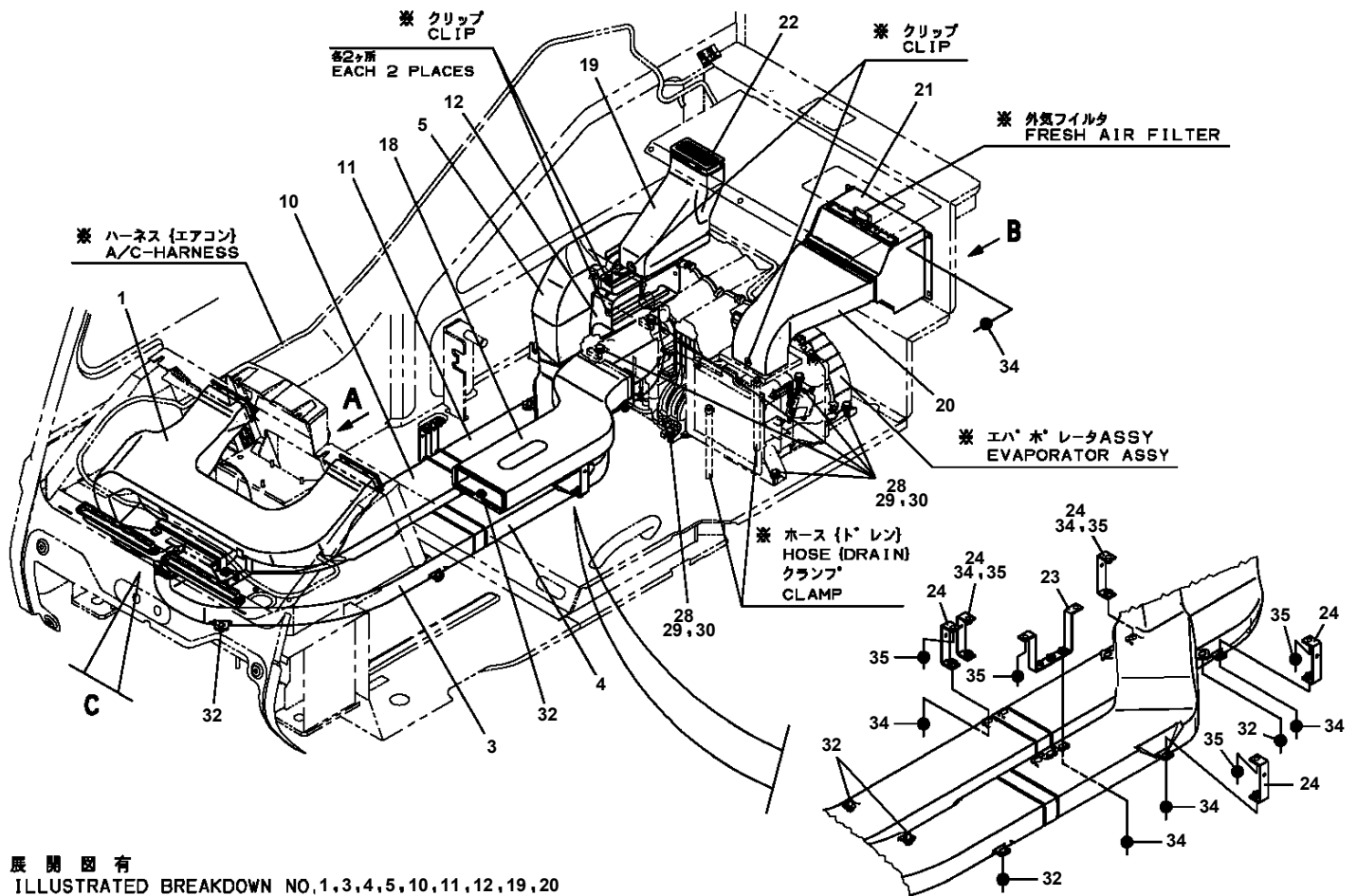
GR-1000-4-00102 5 BOOM + 2 JIB, 2M2D

| Pos No. | Parts No | Parts Name | Qty | Unit | Technical Data | Serial No (Start) | Serial No (End) | Remarks | Pages |
|---------|-------------|------------|-----|------|----------------|-------------------|-----------------|---------|-------|
| 1 | 34220125100 | HANDLE | 1 | | | | | | |

GR-1000-4-00102 5 BOOM + 2 JIB, 2M2D

| Pos No. | Parts No | Parts Name | Qty | Unit | Technical Data | Serial No (Start) | Serial No (End) | Remarks | Pa |
|---------|-------------|--------------------|-----|------|----------------|-------------------|-----------------|---------|----|
| 1 | 34961182100 | BOX | 1 | | | | | | |
| 2 | 82100002040 | CLAMP | 1 | | WE15 | | | | |
| 3 | 36173190000 | CONTROLLER | 1 | | | | | | |
| 4 | 34961182200 | COVER | 1 | | | | | | |
| 5 | 90186208014 | BOLT,FLANGE | 4 | | M8X14 | | | | |
| 6 | 82100000957 | GROMMET | 1 | | SG-38A | | | | |
| 7 | 90280200800 | NUT,FLANGE | 3 | | M8 | | | | |
| 9 | 36180440000 | SENSOR (ASSY ONLY) | 4 | | | | | | |
| 14 | 34961182300 | HARNESS | 1 | | | | | | |
| 15 | 91810130240 | FASTENER | 16 | | | | | | |
| 16 | 90280200600 | NUT,FLANGE | 1 | | M6 | | | | |
| 18 | 82100002010 | CLAMP | 1 | | WR15 | | | | |
| 20 | 82100001802 | TUBE,CORRUGATE | N | | 10 | | | | |
| 21 | 34961182500 | GROMMET | 4 | | | | | | |
| 22 | 82121520080 | HOLDER | 1 | | | | | | |

**GR-1000-4-00102 5 BOOM + 2 JIB, 2M2D
PX5320017-00 MOUNT ASSY, EVAPORATOR**



展開図有
ILLUSTRATED BREAKDOWN NO.1,3,4,5,10,11,12,19,20

※は「検索」機能の「部品名称」より「エアコンASSY (リスト/キャブ ASSYトリツケフン)」で検索 (半角カナ) してください。

FOR THE PART ※, GO TO "PART NAME" IN "SEARCH" MENU AND SEARCH IN "ACCESSORY LIST (LIST/CAB ASSY PART)".

GR-1000-4-00102 5 BOOM + 2 JIB, 2M2D

| Pos No. | Parts No | Parts Name | Qty | Unit | Technical Data | Serial No (Start) | Serial N |
|---------|-------------|--------------------------------------|-----|------|----------------|-------------------|----------|
| 1 | 36303561000 | SHAFT ASSY,PROPELLER (JTEKT:T/M-T/C) | 1 | | | | |
| 2 | 36304181000 | SHAFT ASSY,PROPELLER | 1 | | | | |
| 3 | 36304191000 | SHAFT ASSY,PROPELLER | 1 | | | | |
| 5 | 37000558030 | SHIM | 6 | | T=3.2 | | |
| 6 | 35250170400 | GUARD | 2 | | | | |
| 7 | 90280201000 | NUT,FLANGE | 4 | | M10 | | |
| 8 | 90186210020 | BOLT,FLANGE | 2 | | M10X20 | | |
| 9 | 34780431300 | GUARD | 1 | | | | |
| 10 | 34781260400 | SUPPORT (L) | 1 | | | | |
| 11 | 90171116045 | BOLT | 12 | | M16X45 | | |
| 12 | 90302041601 | WASHER,SPRING | 12 | | 16 | | |
| 13 | 34781260500 | SUPPORT (R) | 1 | | | | |
| 14 | 34784090100 | SUPPORT | 1 | | | | |
| 15 | 90171112045 | BOLT | 8 | | M12X45 | | |
| 16 | 90302041201 | WASHER,SPRING | 14 | | 12 | | |
| 17 | 34784090200 | SUPPORT | 1 | | | | |
| 18 | 90171114130 | BOLT | 6 | | M10X130 | | |
| 19 | 34782000030 | PLATE | 6 | | | | |
| 20 | 34782000010 | CUSHION | 12 | | | | |
| 21 | 90302041401 | WASHER,SPRING | 6 | | 14 | | |
| 22 | 90201701400 | NUT | 6 | | M14 | | |
| 23 | 90303071001 | WASHER,PLAIN | 8 | | 10 | | |
| 24 | 90303071401 | WASHER,PLAIN | 6 | | 14 | | |
| 25 | 90302041001 | WASHER,SPRING | 12 | | 10 | | |
| 26 | 90193024100 | BOLT | 6 | | M24X100 | | |
| 27 | 90263002403 | U-NUT | 6 | | M24 | | |
| 28 | 90303072401 | WASHER,PLAIN | 6 | | 24 | | |
| 29 | 34260770200 | CUSHION (ASAHI GOMU) | 6 | | | | |
| | 34780432500 | CUSHION (KURASHIKIKAKO) | 6 | | | | |
| 30 | 34260230900 | CUSHION (KURASHIKIKAKO) | 6 | | | | |
| | 34260770400 | CUSHION (ASAHI GOMU) | 6 | | | | |
| 32 | 37001603010 | NUT (ASAKAWA) | 80 | | M22X1.5 | | |
| | 37001603020 | NUT (TUERCAS) | 80 | | M22X1.5 | | |
| 33 | 34782270700 | SUPPORT (JINQIU) | 1 | | | | |
| | 34782000100 | SUPPORT (TADANO) | 1 | | | | |
| 34 | 34782000200 | SUPPORT (TADANO) | 1 | | | | |
| | 34782270600 | SUPPORT (JINQIU) | 1 | | | | |
| 35 | 90172112045 | BOLT,HEXAGON SOCKET | 4 | | M12X45 | | |
| 36 | 90172112035 | BOLT,HEXAGON SOCKET | 2 | | M12X35 | | |
| 37 | 90171110035 | BOLT | 12 | | M10X35 | | |
| 38 | 90105538025 | BOLT | 8 | | 3/8-16UNC L=25 | | |
| 39 | 90302040042 | WASHER,SPRING | 8 | | W3/8 | | |
| 40 | 90186208014 | BOLT,FLANGE | 1 | | M8X14 | | |
| 43 | 91860100020 | CLAMP | 1 | | KCR-W20 | | |
| 44 | 34783450100 | SUPPORT | 1 | | | | |
| 45 | 90171108018 | BOLT | 2 | | M8X18 | | |
| 46 | 90302040801 | WASHER,SPRING | 2 | | 8 | | |
| 47 | 90303070801 | WASHER,PLAIN | 2 | | 8 | | |
| 48 | 82401800080 | PLUG (FOR M8) | 2 | | | | |

GR-1000-4-00102 5 BOOM + 2 JIB, 2M2D

| Pos No. | Parts No | Parts Name | Qty | Unit | Technical Data | Serial No (Start) | Serial No (End) | Remarks | Pages |
|---------|-------------|---------------|-----|------|----------------|-------------------|-----------------|---------|-------|
| 1 | 34762113200 | SUPPORT | 1 | | | | | | |
| 3 | 90171112025 | BOLT | 4 | | M12X25 | | | | |
| 4 | 90302041201 | WASHER,SPRING | 4 | | 12 | | | | |
| 5 | 90303503001 | WASHER,PLAIN | 52 | | 30XT8 | | | | |
| 6 | 37001500850 | BOLT | 38 | | M30X185 | | | | |
| 7 | 37001509320 | BOLT | 14 | | M30X155 | | | | |
| 8 | 90171110030 | BOLT | 6 | | M10X30 | | | | |
| 9 | 90303501005 | WASHER,PLAIN | 6 | | 10 | | | | |

CLICK HERE TO **DOWNLOAD** THE COMPLETE MANUAL

- Thank you very much for reading the preview of the manual.
- You can download the complete manual from: www.heydownloads.com by clicking the link below



- Please note: If there is no response to CLICKING the link, please download this PDF first and then click on it.

CLICK HERE TO **DOWNLOAD** THE COMPLETE MANUAL