

## **GR-1000-4-00101 5 BOOM + 2 JIB, 2M2D**

**PB5000062-00 HYDRAULIC PRESSURE SYSTEM**  
**PB6000167-00 PIPING SYSTEM (UPPER)**  
**PB6000171-00 PIPING SYSTEM (LOWER)**  
**PC1000715-00 OUTRIGGER SYSTEM**  
**PD1000689-00 SWING SYSTEM**  
**PF1000824-00 WINCH SYSTEM**  
**PG3000080-00 JIB SYSTEM**  
**PG5000087-01 BOOM SYSTEM**  
**PH5000088-00 SAFETY SYSTEM**  
**PK1000891-00 FRAME**  
**PK5000091-00 CAB SYSTEM**  
**PM1000032-01 LUBRICATION DEVICES**  
**PN1000825-01 ELECTRIC EQUIPMENT**  
**PO1000150-00 INDICATION PLATES**  
**PR5000101-00 DRIVING POWER SYSTEM**  
**PS5000056-00 STEERING & SUSPENSION**  
**PW1000097-02 ACCESSORIES & TOOLS**  
**PX1001393-00 MOUNTING PARTS**  
**PY1001974-01 OPTION UNIT,1**  
**ASSEMBLY**

CLICK HERE TO **DOWNLOAD** THE COMPLETE MANUAL

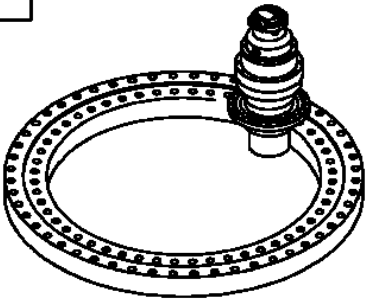
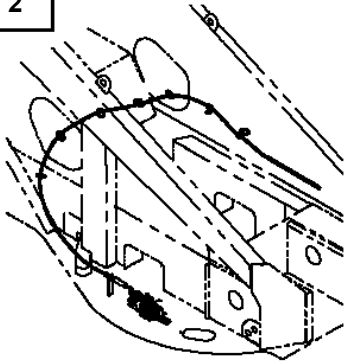
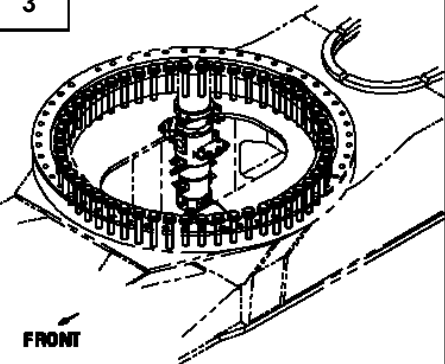
- Thank you very much for reading the preview of the manual.
- You can download the complete manual from: [www.heydownloads.com](http://www.heydownloads.com) by clicking the link below



- Please note: If there is no response to CLICKING the link, please download this PDF first and then click on it.

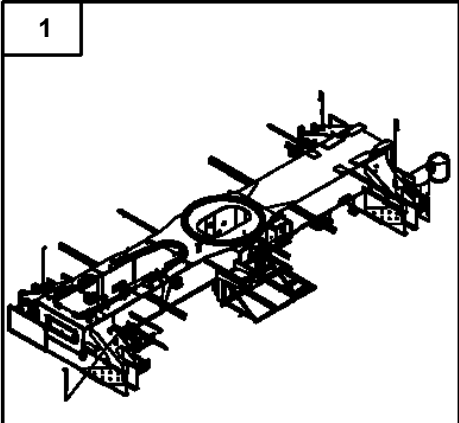
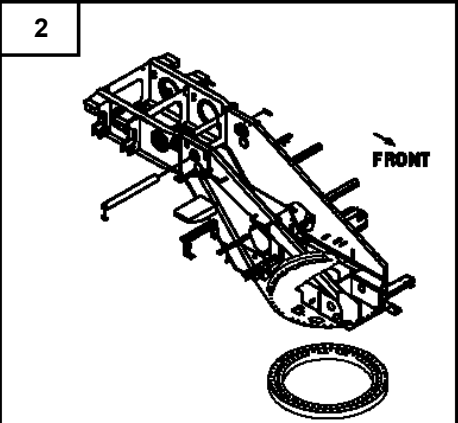
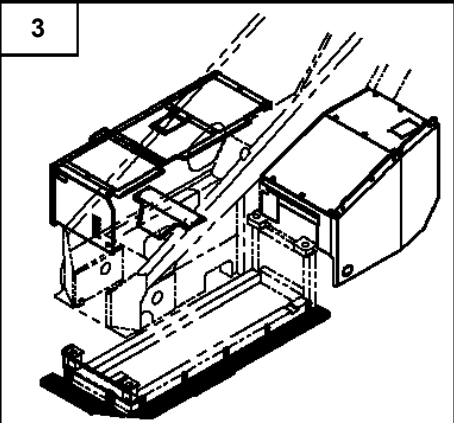
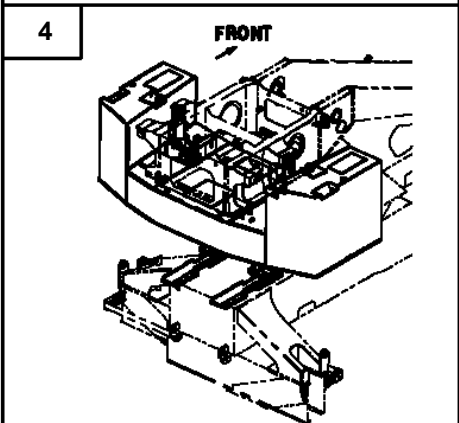
CLICK HERE TO **DOWNLOAD** THE COMPLETE MANUAL

**GR-1000-4-00101 5 BOOM + 2 JIB, 2M2D  
PD1000689-00 SWING SYSTEM**

<p>1</p>  <p>FRONT</p>	<p>2</p>  <p>FRONT</p>	<p>3</p>  <p>FRONT</p>

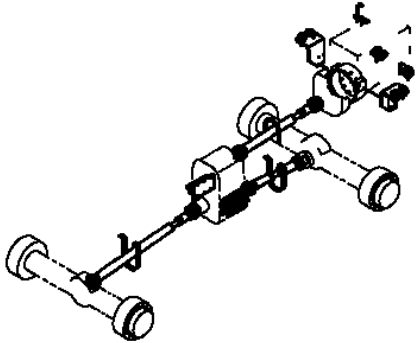
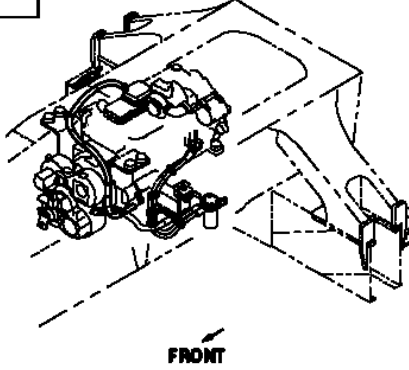
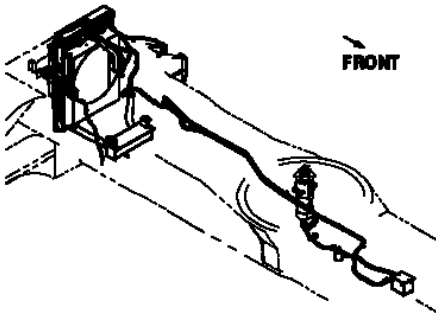
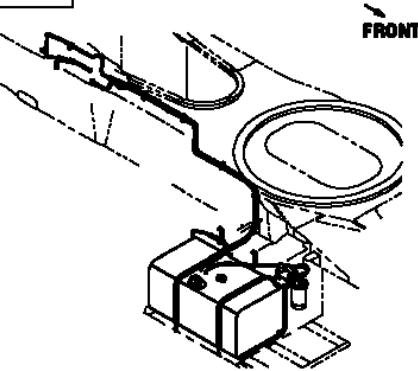
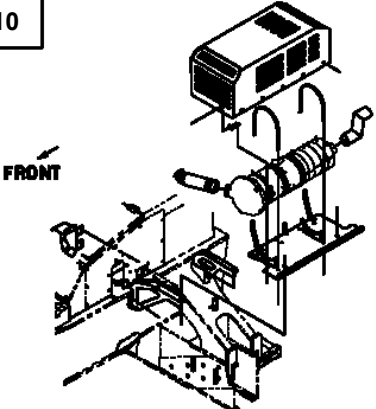
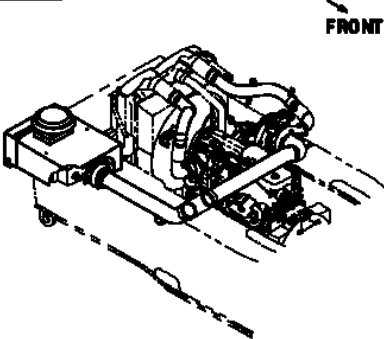
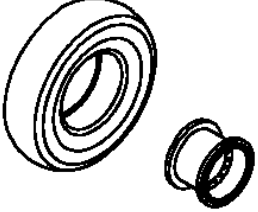
適用製造番号によっては取り付けがないものもあります。  
MACHINES OF SOME SERIAL NO. ARE NOT EQUIPPED WITH THESE PARTS.

GR-1000-4-00101 5 BOOM + 2 JIB, 2M2D  
PK1000891-00 FRAME

1 	2 	3 
4 		

適用製造番号によっては取り付けがないものもあります。  
MACHINES OF SOME SERIAL NO. ARE NOT EQUIPPED WITH THESE PARTS.

**GR-1000-4-00101 5 BOOM + 2 JIB, 2M2D  
PR5000101-00 DRIVING POWER SYSTEM**

<p>1</p> <p>エンジンASSY ENGINE ASSY</p>	<p>2</p> <p>トルクコンバータASSY TORQUE CONVERTER ASSY</p>	<p>3</p> <p>トランスミッションASSY TRANSMISSION ASSY</p>
<p>4</p> <p>アクスルASSY,フロント AXLE ASSY,FRONT</p>	<p>5</p> <p>アクスルASSY (リヤ/ノースピンツキ) AXLE ASSY (REAR/WITH NO SPIN)</p>	<p>6</p> 
<p>7</p>  <p>FRONT</p>	<p>8</p>  <p>FRONT</p>	<p>9</p>  <p>FRONT</p>
<p>10</p>  <p>FRONT</p>	<p>11</p>  <p>FRONT</p>	<p>12</p> 

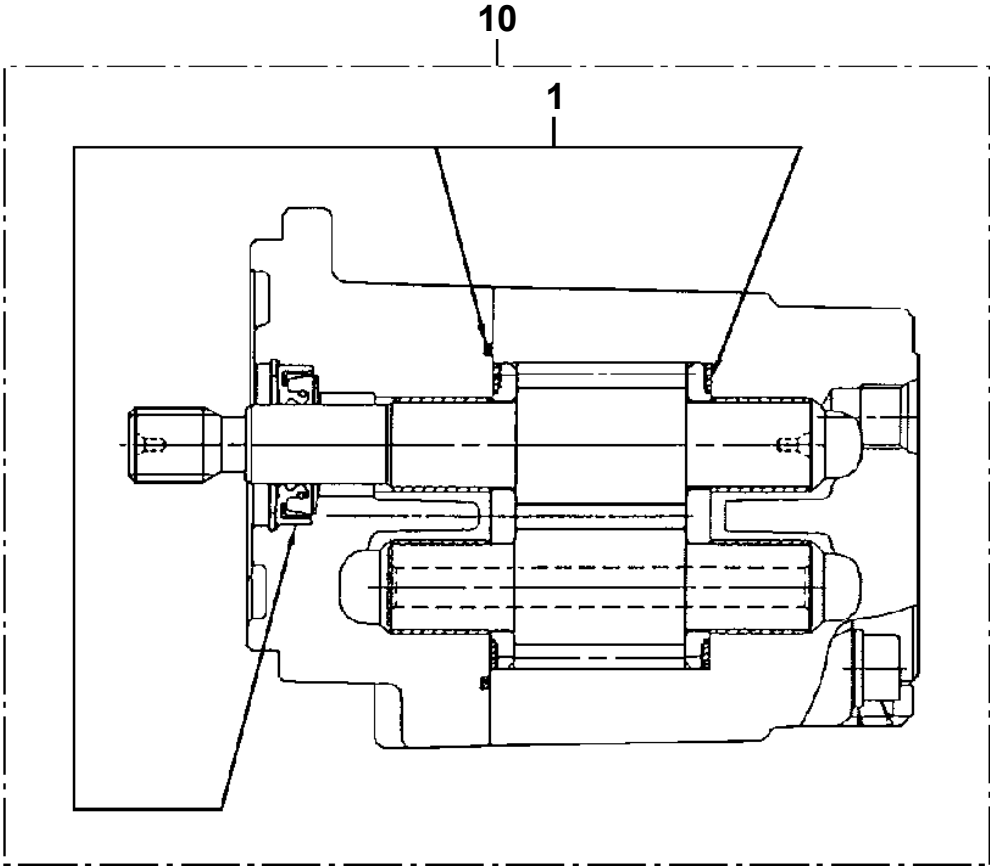
適用製造番号によっては取り付けがないものもあります。

MACHINES OF SOME SERIAL NO. ARE NOT EQUIPPED WITH THESE PARTS.

# GR-1000-4-00101 5 BOOM + 2 JIB, 2M2D

Pos No.	Parts No	Parts Name	Qty	Unit	Technical Data	Se
1	(*****)	HOOK ASSY (AUX./WITH LOCK DEVICE)	1			
2	(*****)	HOOK ASSY (MAIN,90.7TON,SINGLE HORN/ENGLISH)	1			
3	(*****)	UNWIND CUTOFF ASSY	2			
4	(*****)	STEERING ASSY (EMERGENCY:WITH LOW PRESSURE ALARM)	1			
5	(*****)	STEERING ASSY (EMERGENCY:WITHOUT LOW PRESSURE ALARM)	1			
7	34730290000	INFLATOR,AIR	1			
8	(*****)	ANEMOMETER ASSY	1			
9	(*****)	HEATER ASSY (ENGINE PRE-HEATER:240V)	1			
10	(*****)	HEATER ASSY (ENGINE PRE-HEATER:120V)	1			
14	(*****)	LAMP ASSY,LICENSE	1			
15	(*****)	ELEC.ASSY (SEARCHLIGHT)	1			
16	(*****)	MODIFICATION ASSY (CAB/EMERGENCY EXIT)	1			

**GR-1000-4-00101 5 BOOM + 2 JIB, 2M2D**  
**PB1100175-00 PUMP, HYDRAULIC (EMERGENCY STEERING)**





# GR-1000-4-00101 5 BOOM + 2 JIB, 2M2D

Pos No.	Parts No	Parts Name	Qty	Unit	Technical Data	Serial No (Start)
1	34203080050	BOOM, TOP	1			
2	37000200590	PIN, SNAP	1			
3	37000300370	SPACER	1		L=119	
4	37001002910	SHEAVE ASSY	2			
5	37000300160	SPACER	1		L=52.5	
6	37000310620	SPACER	1		L=20	
7	37000110490	PIN	1			
8	80561100180	NUT	1		AW18	
9	80562100180	WASHER, TOOTH	1		AW18	
10	37010100880	PIN	1			
11	90171108012	BOLT	6		M8X12	
12	90302040801	WASHER, SPRING	4		8	
13	34202120520	COVER	1			
14	37000181700	PIN	1			
15	37001009710	SHEAVE ASSY (QUADRANT POLYPENCO, ASSY ONLY)	7			
	37001009741	SHEAVE ASSY (LICHARZ, ASSY ONLY)	7			
16	37000303340	SPACER	6		L=1.6	
18	33200494100	BOLT	1		M20X45	
19	90203202000	NUT	1		M20	
20	37000181710	PIN	2			
21	37000201090	PIN, SNAP	2		20	
22	90171216050	BOLT	2		M16X50	
23	90201781600	NUT	2		M6	
24	37000538540	PLATE	1		T=1.0	
25	90303071601	WASHER, PLAIN	1		16	
26	90303501601	WASHER, PLAIN	N		16	
27	90303070801	WASHER, PLAIN	2		8	
28	90172108020	BOLT, HEXAGON SOCKET	4		M8X20	
29	34201050050	PLATE	2			
30	90171112020	BOLT	6		M12X20	
31	37000100820	PIN	2		20	
32	37002022380	PLATE, SLIDE	2			
33	37010501850	PLATE	4			
34	37010501860	PLATE	4			
35	37001008720	SHEAVE ASSY	2			
36	34200680601	PIN	2		60X38	
37	37000309600	SPACER	6		T=1.0	
38	37000309610	SPACER	2		T=0.6	
39	37002019260	PLATE, SLIDE	2			
40	90101208025	BOLT	4		M8X25	
41	90261000800	U-NUT	4		M8	
42	37002004640	PLATE, SLIDE	2		T=15	
43	90172106020	BOLT, HEXAGON SOCKET	2		M6X20	
44	37000577400	PLATE	4		T=1.0	
45	37000577410	PLATE	4		T=0.6	
47	37002020910	PLATE, SLIDE	N		T=19	
82	80515006018	BEARING, BALL	4			
102	80520314912	BEARING, ROLLER	2			
132	(*****)	SUPPORT ASSY (BOOM, TOP)	1			

# GR-1000-4-00101 5 BOOM + 2 JIB, 2M2D

Pos No.	Parts No	Parts Name	Qty	Unit	Technical Data	Serial No (Start)	Serial No (End)	F
1	34932285110	HARNESS (BATTERY RELAY BOX)	1					
2	34932285120	FUSE ASSY	1					
3	34932285130	FUSE ASSY	1					
4	34932285140	FUSE ASSY	1					
5	34932275150	FUSE ASSY	1					
6	34932022560	FUSE ASSY (SPARE FUSE)	1					
7	82161500022	BRACKET	1					
8	82161500023	BRACKET	3					
32	82100001841	FUSE	1		20A,YELLOW			
33	82100001840	FUSE	6		15A,BLUE			
34	82100001839	FUSE	13		10A.RED			
35	82100001837	FUSE	12		5A			
41	82100001843	FUSE	1		30A.GREEN			
56	82100001860	FUSE	4		1A,BLACK			
100	34932285100	BOX ASSY (FUSE)	1					

## GR-1000-4-00101 5 BOOM + 2 JIB, 2M2D

Pos No.	Parts No	Parts Name	Qty	Unit	Technical Data	Serial No (Start)	Serial No (End)	Remarks	P
1	(*****)	BOX ASSY (R)	1						00
2	34320901200	COVER	1						
3	34320904300	KNOB	1						
4	34320901401	SHAFT	2						
6	80176404012	SCREW,MACHINE	4		M4X12				
7	90305260401	WASHER	4		4				
8	37012409370	HOSE	1		L=1640				
9	37002510460	HOSE	1		L=15				
10	90186208020	BOLT,FLANGE	4		M8X20				
11	37002443720	HOSE	2		L=880				
12	37012409380	HOSE	2		L=1660				
13	80400160127	JOINT	5						
14	91002801100	O-RING	5		1B P11				
16	37002448530	HOSE	1		L=1680				
17	90203501200	NUT	4		M12				
18	36634920000	VALVE,CONTROL	1						00
19	36672460000	FILTER (NIPPLE TYPE)	1						
20	82100000192	TERMINAL	1						
21	82100000182	INSULATOR	1						
22	34321691110	SOLENOID	1						
23	82100000191	TERMINAL	1						
24	82100000183	INSULATOR	1						
25	34320903800	CAP	1						
26	34320903900	KNOB	1						
27	34320904000	KNOB	1						
28	34320901300	SUPPORT	1						
29	90280200800	NUT,FLANGE	1		M8				
30	90186206010	BOLT,FLANGE	1		M6X10				
31	82100002002	CLAMP	1		WR6				
64	91002801100	O-RING	1		1B P11				

# GR-1000-4-00101 5 BOOM + 2 JIB, 2M2D

Pos No.	Parts No	Parts Name	Qty	Unit	Technical Data	Serial No (Start)	Serial No (End)
1	(*****)	CAB ASSY (STD)	1				
2	(*****)	SWING TABLE ASSY	1				
4	(*****)	OPE.ASSY,CONT.VALVE (ISO/TACTILE)	1				
5	(*****)	ELEC.ASSY (CAB)	1				
7	36172070000	CONTROLLER (DCU2)	1				
8	36199690000	MOMENT LIMITER:AML	1				
10	(*****)	NAME PLATE ASSY (CAB/ENGLISH)	1				
11	36173340000	DISPLAY (MFD)	1				
12	36173170000	CONTROLLER (TTC-60)	1				
13	(*****)	MOUNT ASSY (BACK SONAR)	1				

# GR-1000-4-00101 5 BOOM + 2 JIB, 2M2D

Pos No.	Parts No	Parts Name	Qty	Unit	Technical Data	Serial No (Start)	Serial No (End)	Re
1	36370415070	IMPELLER ASSY	1					
2	36370515050	TURBINE ASSY	1					
3	36370515060	STATOR (WHEEL)	1					
4	36370515070	COVER ASSY (FRONT)	1					
5	36370655030	GUIDE (INPUT)	1					
6	36370655040	PLATE (INPUT)	1					
7	36370216071	RACE, OUTER	1					
8	36370415370	CLUTCH, ONEWAY	1					
9	36370216090	RETAINER (A/ONEWAY CLUTCH)	1					
10	36370216100	RETAINER (B/ONEWAY CLUTCH)	1					
11	36370216111	INNER RACE	1					
12	36370216120	PISTON	1					
13	36370515090	PLATE (PRESSURE)	1					
14	36370415120	WASHER	1					
15	36370216150	BEARING, BALL	1					
16	36370216160	BEARING, BALL	1					
17	36370216170	BEARING, NEEDLE	1					
18	36370216180	WASHER, THRUST	1					
19	36370216190	RING, RETAINING	1					
20	36370415130	RING, SNAP	1					
21	36370695090	BEARING, NEEDLE	1					
22	36370695100	SUPPORT	1					
23	80601110500	RING, RETAINING	1		S50			
24	36370615130	O-RING	1					
25	36370575060	O-RING	1					
26	36370575070	O-RING	1					
27	36370625140	RING (D)	1					
28	36370625150	RING (D)	1					
29	90171108030	BOLT	24		M8X30			
30	90302050801	WASHER, SPRING	24		8			
31	90171110045	BOLT	12		M10X45			
32	36370216300	WASHER	12					
33	36350456060	PLUG	3					
34	36370455100	DISK ASSY	1					
35	80602110900	RING, RETAINING	1		R90			
36	36370515120	WASHER, THRUST	1					
37	36370216340	WASHER, THRUST	1					
38	36370695110	WASHER, THRUST	1					
51	36370795040	OVERHAUL KIT	1					

# GR-1000-4-00101 5 BOOM + 2 JIB, 2M2D

Pos No.	Parts No	Parts Name	Qty	Unit	Technical Data	Serial No (Start)	Serial No (End)	Remarks	Page
1	36321345020	CONDENSER	1						
2	36321345030	FAN ASSY	1						
3	36321345040	BRACKET	2						
4	36321345050	BOLT	4		M6X35				
5	36321345060	PACKING	2						
6	36321345070	PLATE,NAME (24V)	1						
100	36321342010	CONDENSER ASSY	1						

# GR-1000-4-00101 5 BOOM + 2 JIB, 2M2D

Pos No.	Parts No	Parts Name	Qty	Unit	Technical Data	Serial No (Start)	Serial No (End)	Remarks	Pages
4	36690435010	COCK	1						
100	36690430000	COOLER ASSY,OIL	1						

# GR-1000-4-00101 5 BOOM + 2 JIB, 2M2D

Pos No.	Parts No	Parts Name	Qty	Unit	Technical Data	Serial No (Start)	Serial No (End)	Remarks
22	34694249510	COVER (NON-SLIP)	1					
23	90186208020	BOLT,FLANGE	3		M8X20			
100	34694241500	COVER ASSY (NON SLIP)	1					

# GR-1000-4-00101 5 BOOM + 2 JIB, 2M2D

Pos No.	Parts No	Parts Name	Qty	Unit	Technical Data	Serial No (Start)	Serial No (End)	Remarks	Pages
2	90186206014	BOLT,FLANGE	4		M6X14				
3	90261001200	NUT	2		M12				
4	90303071201	WASHER,PLAIN	4		12				
5	34350002100	CAP	4						
6	19414033000	SPRING	2						
7	34620120400	SUPPORT	2						
9	34693522102	COVER	1						
10	90813110020	BOLT,WING	1		M10X20				
11	37000505950	PLATE	1		T=3.2				
12	90302041001	WASHER,SPRING	1		10				

## GR-1000-4-00101 5 BOOM + 2 JIB, 2M2D

Pos No.	Parts No	Parts Name	Qty	Unit	Technical Data	Serial No (Start)	Serial No (End)	Remarks	Pa
1	34694213100	COVER	1						00
2	34694211200	COVER (L)	1						00
3	34694211300	COVER (R)	1						00
4	34694213400	COVER	1						00
5	34694211500	COVER	1						00
6	34694211600	COVER	1						00
7	34694211701	COVER	1						00
8	82400000357	CATCH	1						
9	90186210020	BOLT,FLANGE	38		M10X20				
10	80182308014	SCREW,MACHINE	2		M8X14				
11	90302040801	WASHER,SPRING	8		8				
12	34690923600	HINGE	2						
13	90101208020	BOLT	6		M8X20				
14	90201200800	NUT	6		M8				
15	34694213800	PLATE	1						
16	90280201000	NUT,FLANGE	4		M10				
100	34694212500	COVER ASSY,ENGINE	1						

# GR-1000-4-00101 5 BOOM + 2 JIB, 2M2D

Pos No.	Parts No	Parts Name	Qty	Unit	Technical Data	Serial No (Start)	Serial No
100	37002712230	CABLE (BATTERY RERAY-STATER MOTOR)	1				

# GR-1000-4-00101 5 BOOM + 2 JIB, 2M2D

Pos No.	Parts No	Parts Name	Qty	Unit	Technical Data	Serial No (Start)	Serial No (End)	Remarks	Pages
2	34694212220	INSULATOR	1						
3	34694212230	INSULATOR	1						
4	34692983140	INSULATOR	2						
100	34694212200	COVER (L)	1						

# GR-1000-4-00101 5 BOOM + 2 JIB, 2M2D

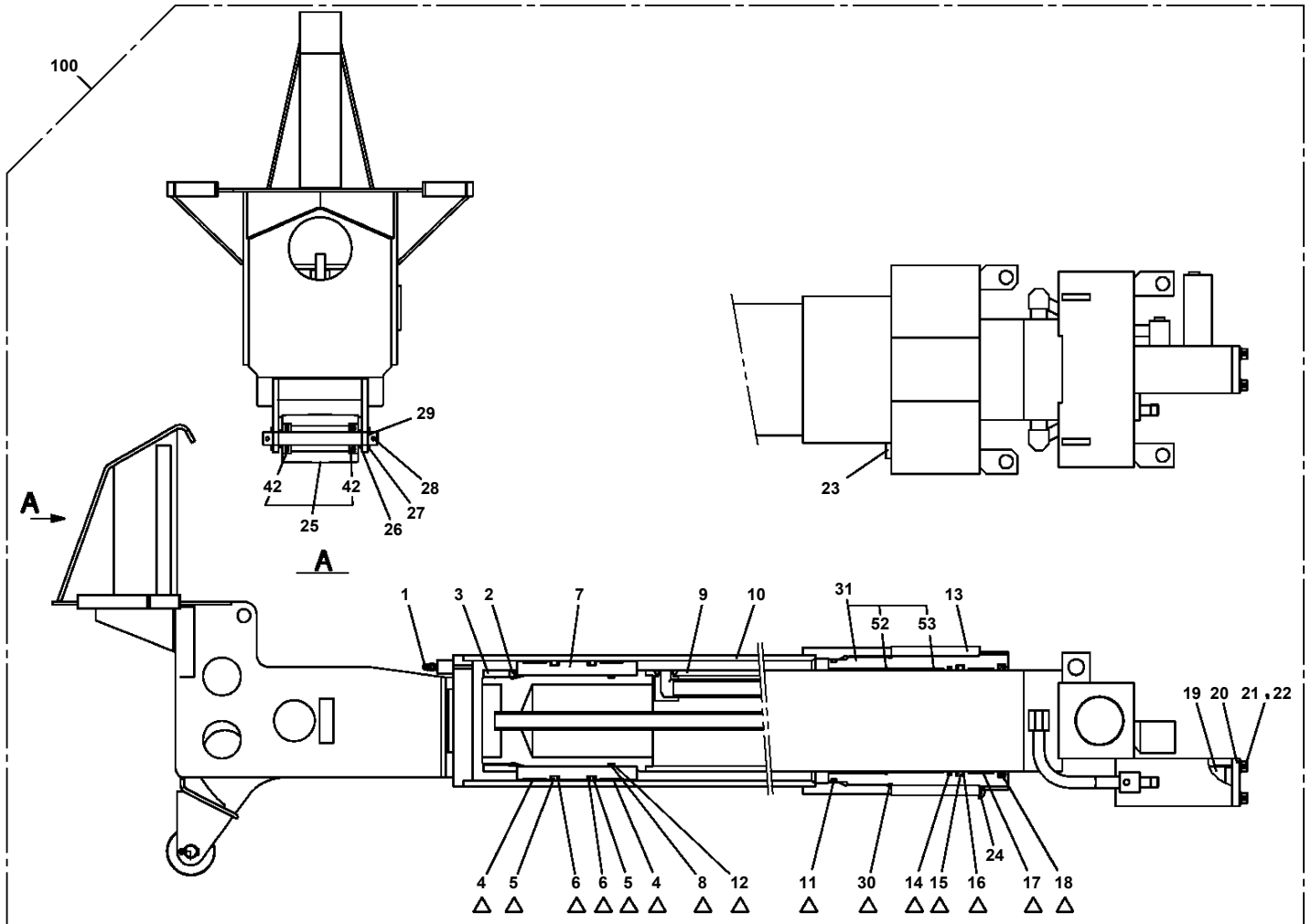
Pos No.	Parts No	Parts Name	Qty	Unit	Technical Data	Serial No (Start)	Serial No (End)	Remarks	Pages
2	34694211520	CUSHION	1						
100	34694211500	COVER	1						

# GR-1000-4-00101 5 BOOM + 2 JIB, 2M2D

Pos No.	Parts No	Parts Name	Qty	Unit	Technical Data	Serial No (Start)	Serial No (End)
1	36051221002	CYLINDER ASSY	1				
3	90201702400	NUT	1		M24		
4	36052060010	PISTON	1				
5	91350207000	BEARING,PLAIN (WITH PACKINGX2)	1				
6	91002803500	O-RING	1		1B P35		
7	36051082001	ROD ASSY	1				
8	36061593600	COVER,ROD	1				
9	91002806000	O-RING	1		1B P60		
10	91251100350	RING,DAMPER	1				
11	91694003500	PACKING	1				
12	91410203501	RING,BACKUP	1				
13	16616016000	PLATE	1				
14	91660003501	SEAL,DUST	1				
16	91301103500	BEARING,PLAIN	1				
31	80530000204	BEARING,SPHERICAL	2				
50	36053479900	PACKING SET	1		35X70		
100	36051220002	CYLINDER ASSY (QUICK TURN JIB,PISTON WPB)	1				



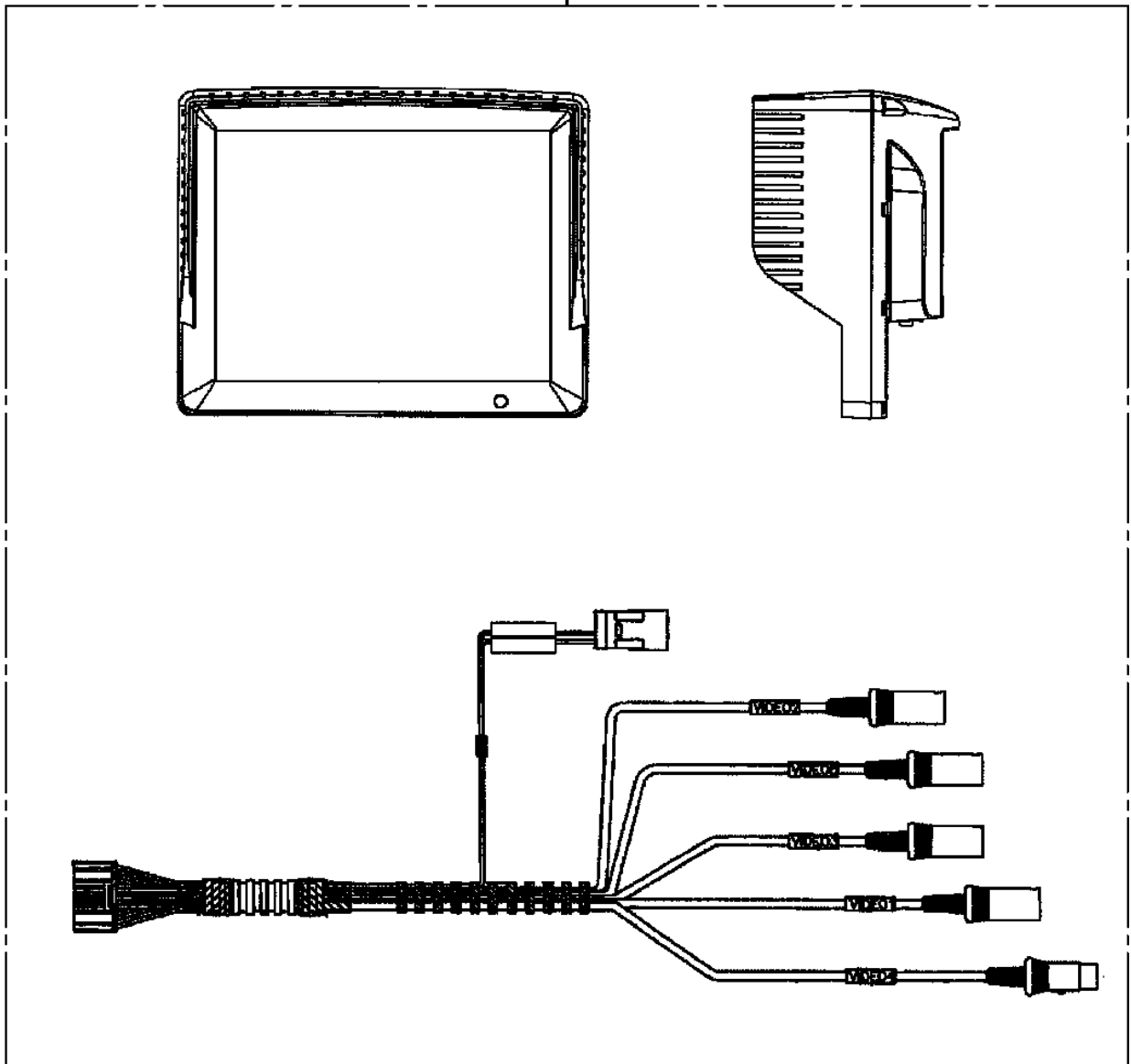
**GR-1000-4-00101 5 BOOM + 2 JIB, 2M2D**  
**PC6470094-00 CYLINDER ASSY,TELESCOPING (NO.2)**



Δ: PACKING SET KEY NO.90 (KEY NO.4,5,6,8,11,12,14,15,16,17,18,30)

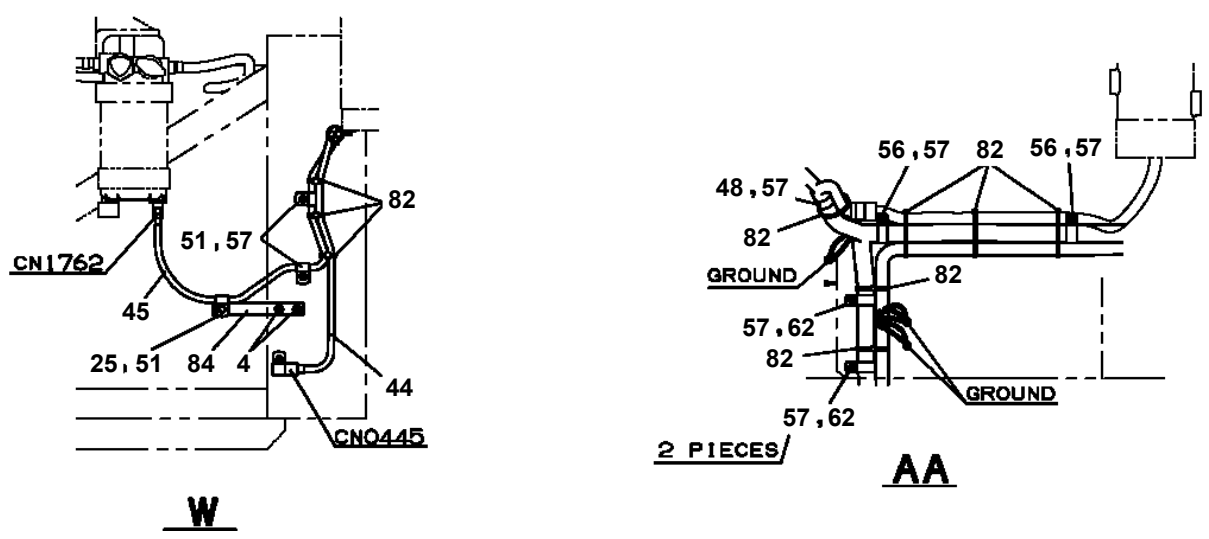
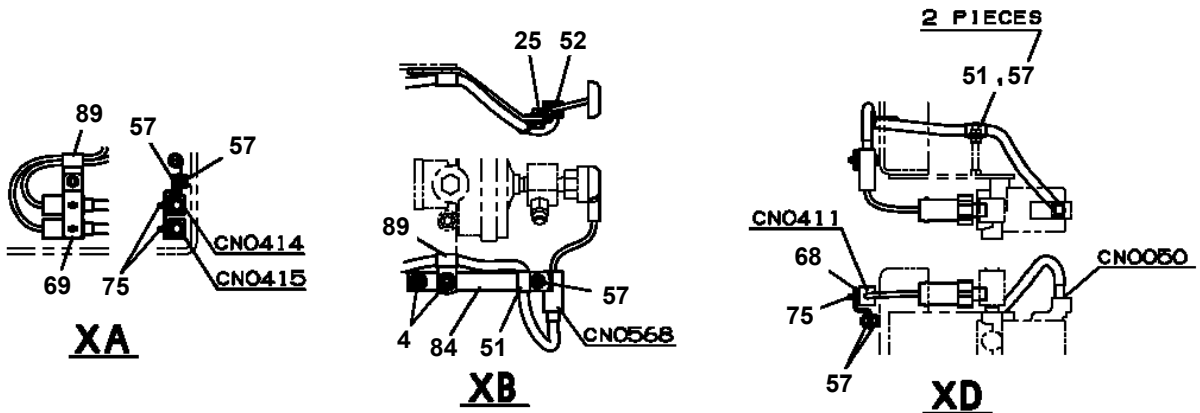
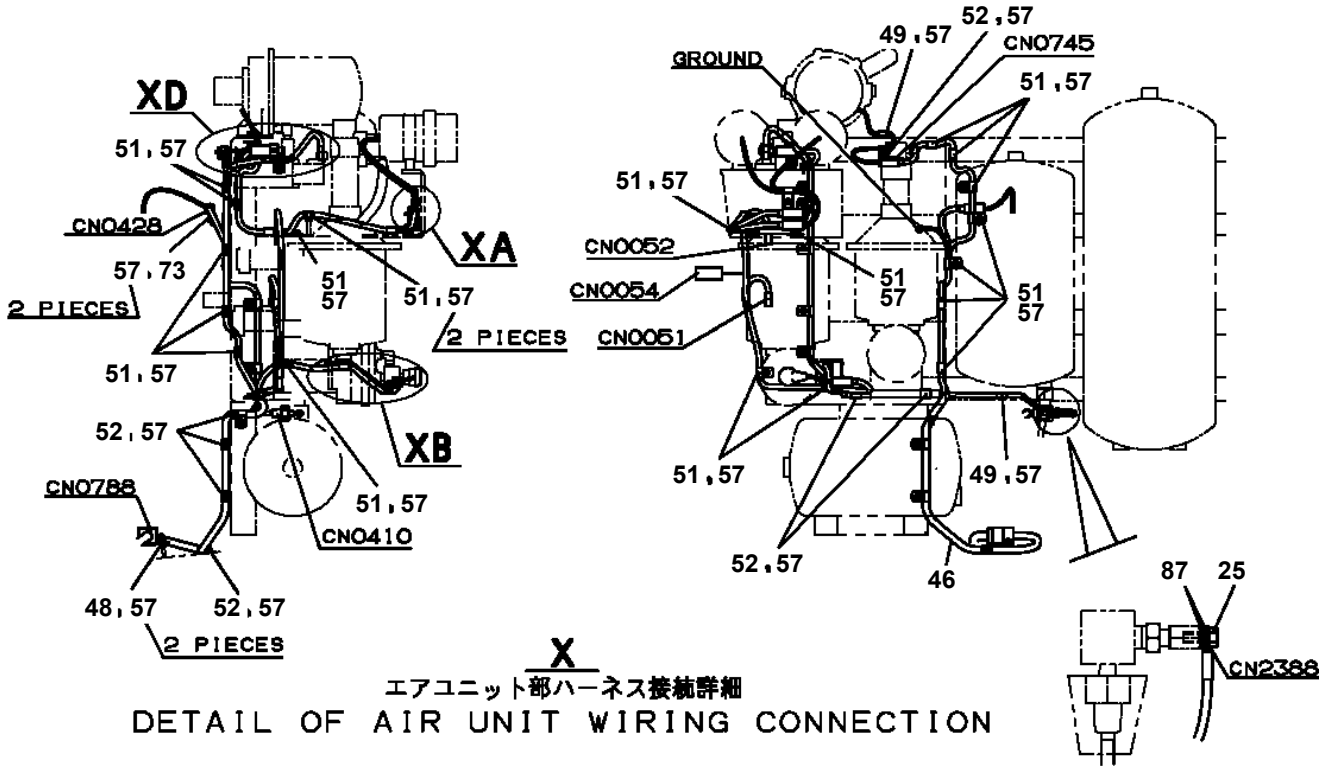
GR-1000-4-00101 5 BOOM + 2 JIB, 2M2D  
PD5160019-00 DISPLAY (MFD)

100

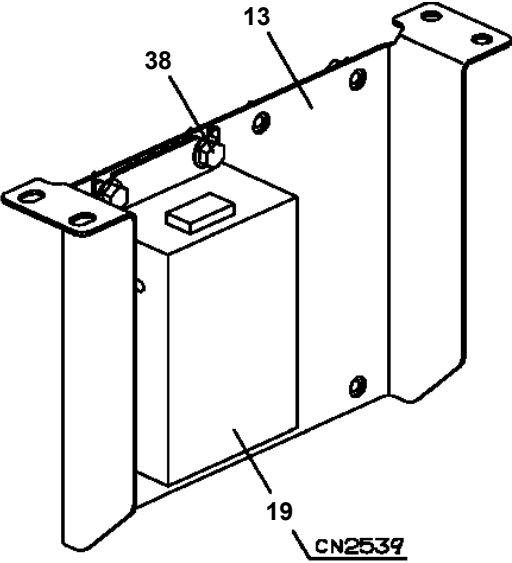




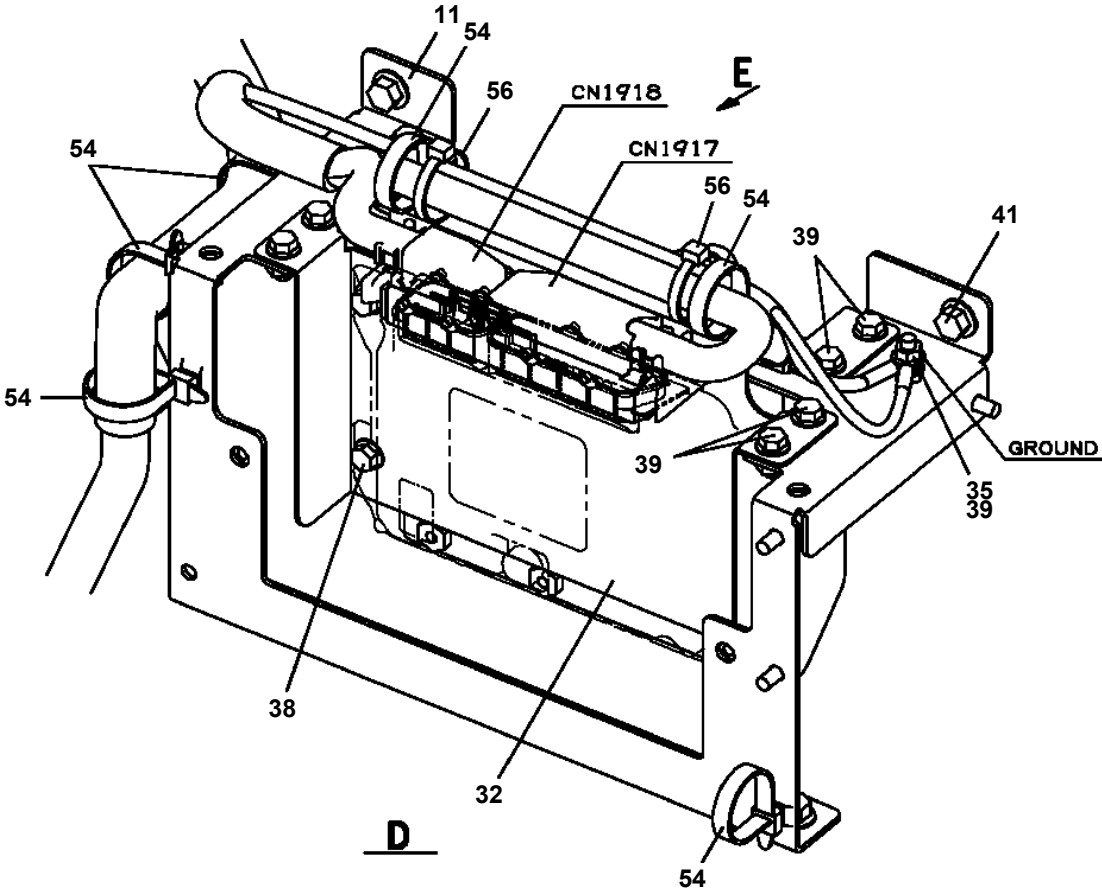
GR-1000-4-00101 5 BOOM + 2 JIB, 2M2D  
 PE5021419-00 ELEC.ASSY (LOWER)



GR-1000-4-00101 5 BOOM + 2 JIB, 2M2D  
PE5021426-01 ELEC.ASSY (CAB)



E



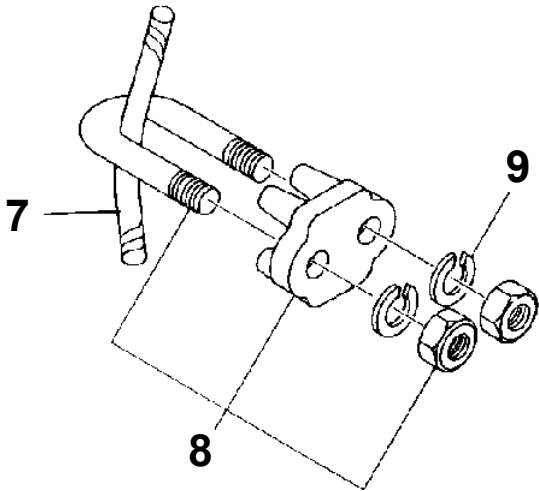
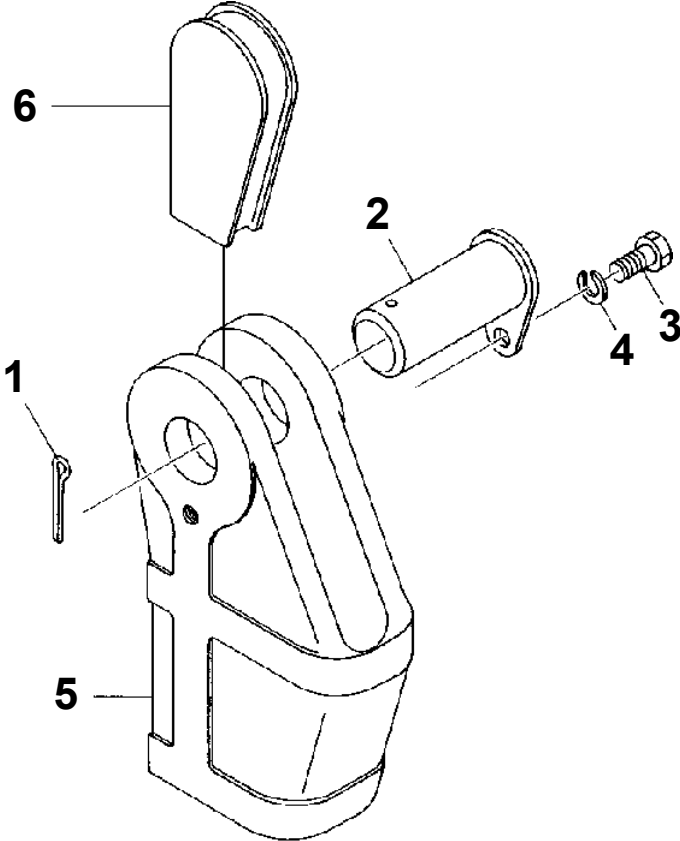
D

## GR-1000-4-00101 5 BOOM + 2 JIB, 2M2D

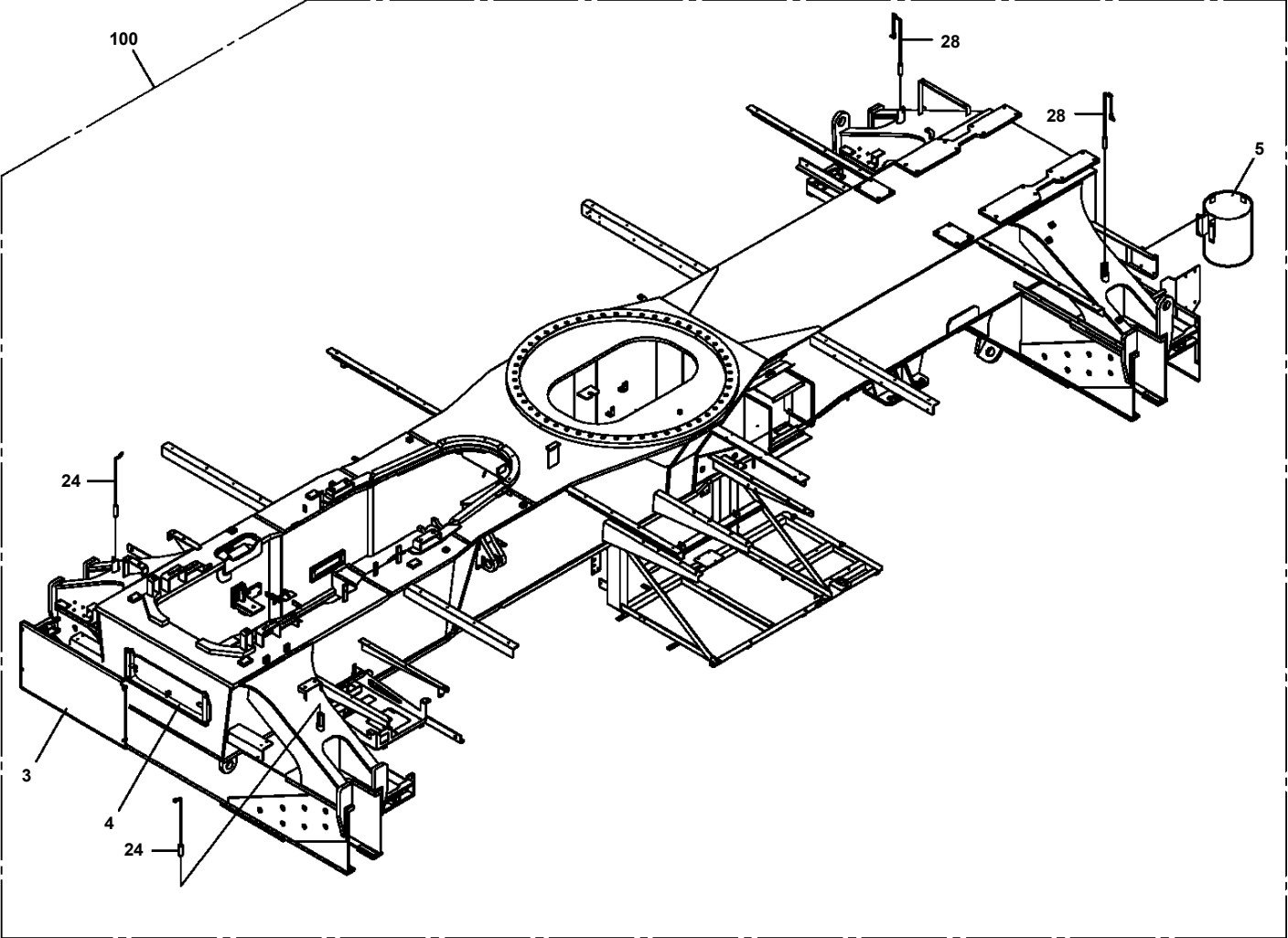
Pos No.	Parts No	Parts Name	Qty	Unit	Technical Data	Serial No (Start)	Serial No (End)	Remarks
1	34263087100	HARNES	1					
2	34260952310	JUNCTION (BODY SIDE)	1					
3	80192486025	SCREW,MACHINE	2		M6X25			
4	34261887100	SWITCH (DOOR)	1					
5	90180105012	BOLT,BUTTON	2					
6	91860210130	CLAMP	2		10-30			
7	80192486016	SCREW,MACHINE	1		M6X16			
8	82183901010	CONDENSER	1					
9	91850310305	CLAMP	4					
10	91810130240	FASTENER	4					
11	82400000135	GROMMET	1					
12	82400000200	GROMMET	1		KG-012,L=250			
13	82100000956	GROMMET	1		SG-36A			
14	82466302120	GROMMET	1					



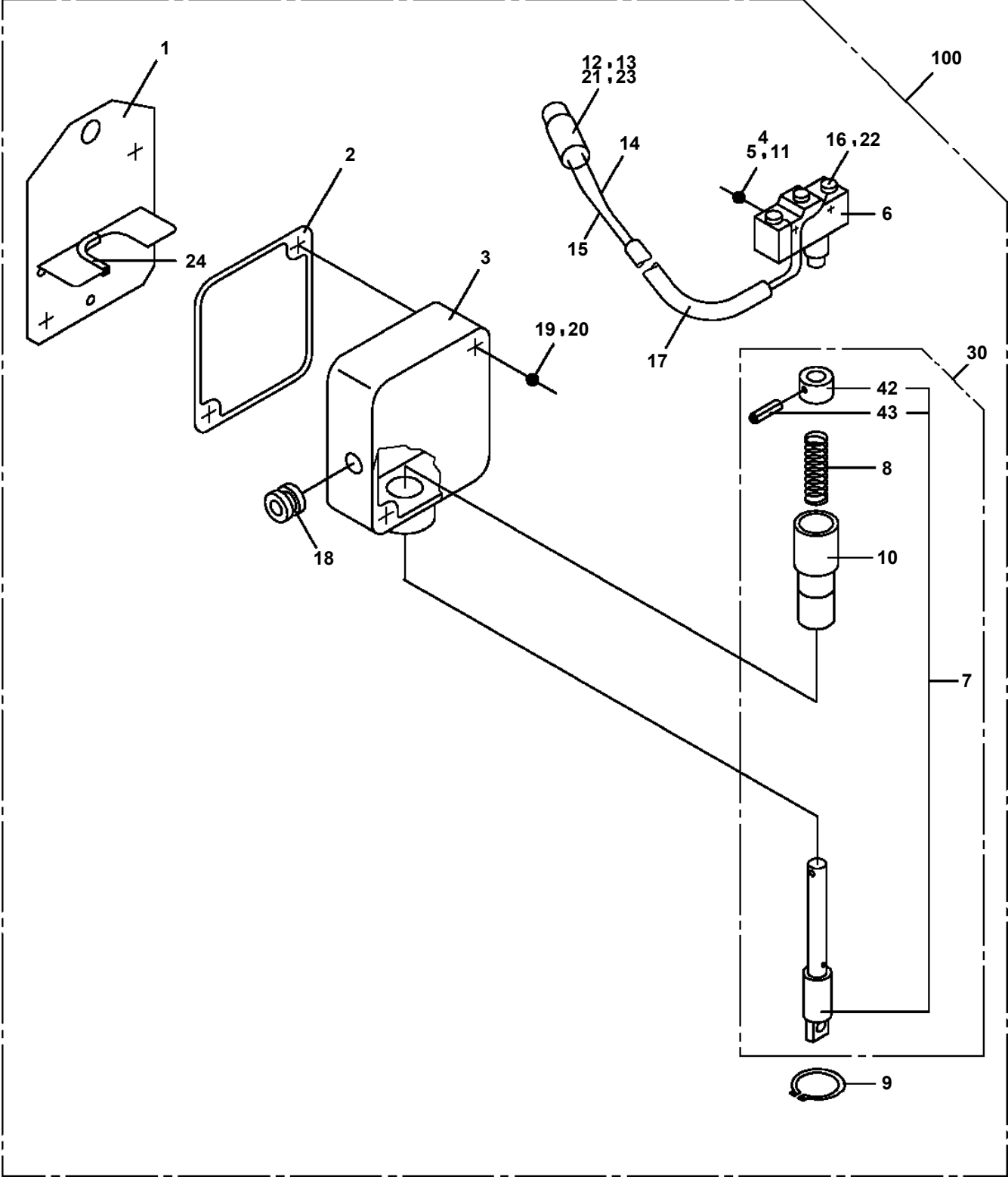
**GR-1000-4-00101 5 BOOM + 2 JIB, 2M2D**  
**PF1090010-01 SOCKET,ROPE**



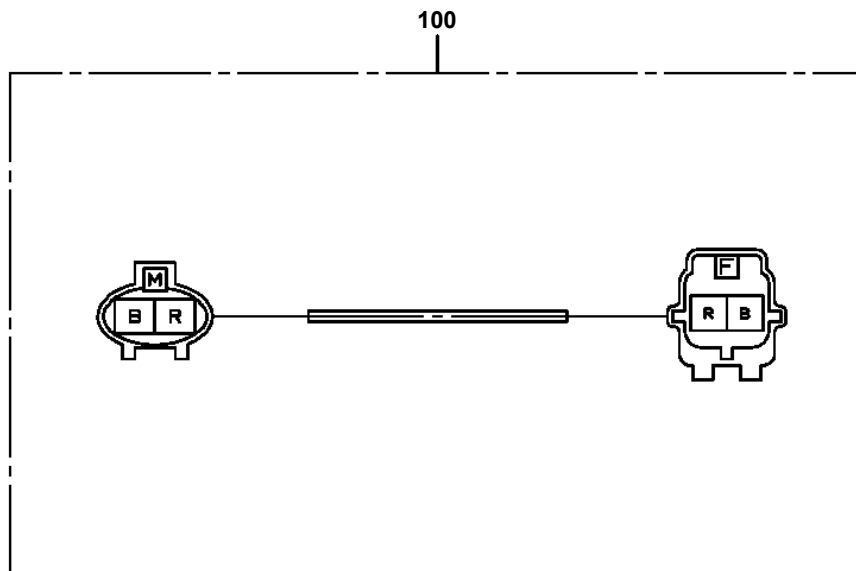
GR-1000-4-00101 5 BOOM + 2 JIB, 2M2D  
PF5100512-00 FRAME ASSY



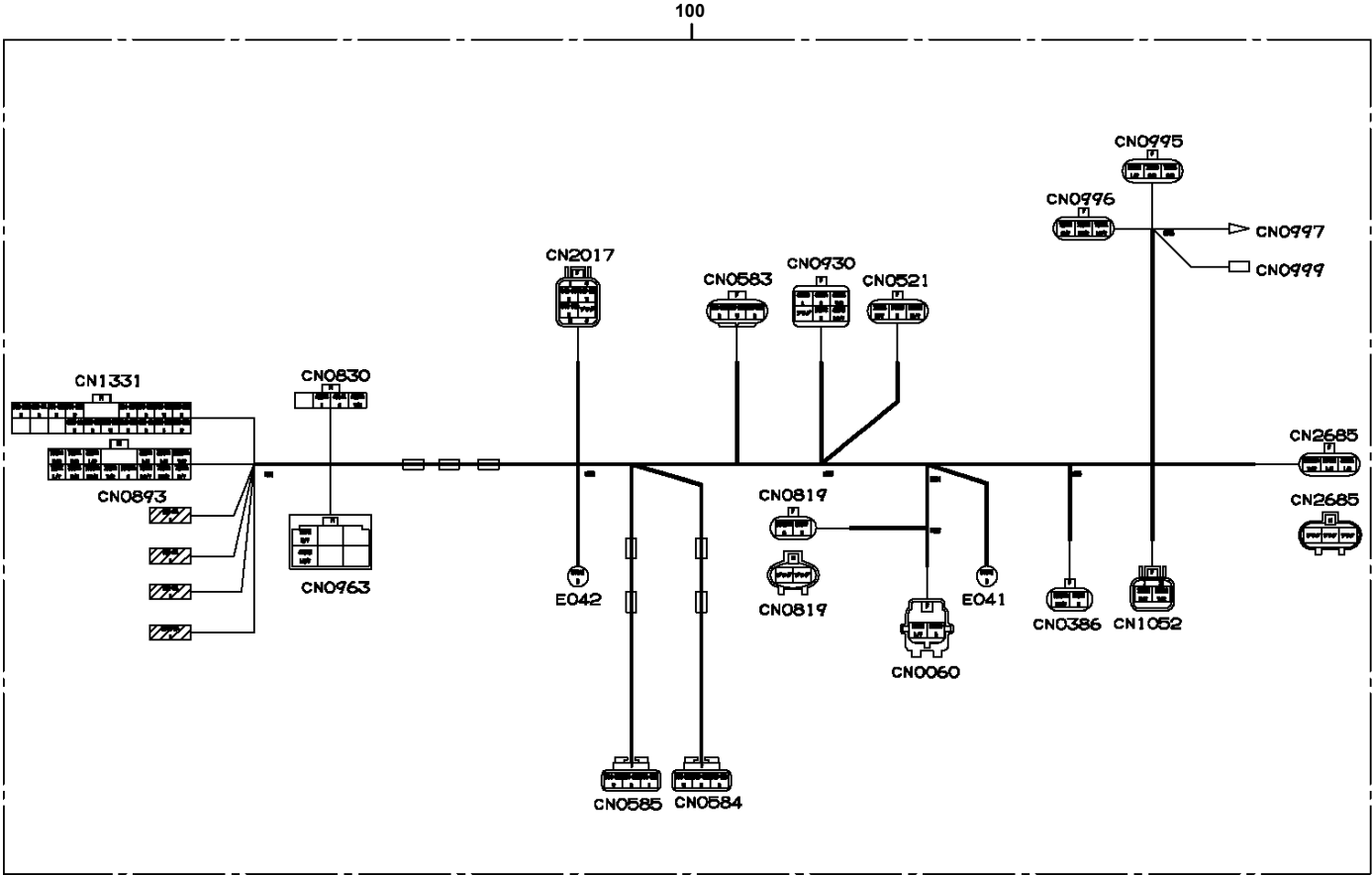
GR-1000-4-00101 5 BOOM + 2 JIB, 2M2D  
PH1070023-01 SWITCH, OVER WIND DETECTOR



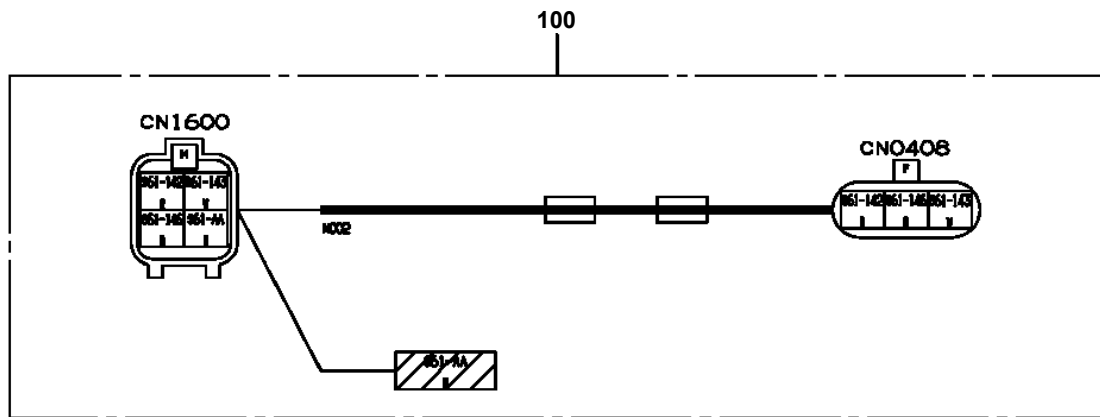
**GR-1000-4-00101 5 BOOM + 2 JIB, 2M2D  
PH5031586-00 HARNESS (SWP TO AMP)**



**GR-1000-4-00101 5 BOOM + 2 JIB, 2M2D  
PH5034380-00 HARNESS (SWING FRAME,RIGHT)**



**GR-1000-4-00101 5 BOOM + 2 JIB, 2M2D  
PH5034388-00 HARNESS (REAR STEERING)**



# GR-1000-4-00101 5 BOOM + 2 JIB, 2M2D

Pos No.	Parts No	Parts Name	Qty	Unit	Technical Data	Serial No (Start)	Serial No (End)	Remarks	Page
1	82182819823	DIODE	4		1.5A				
2	82182819822	DIODE	1		3A				
3	82182500020	DIODE	1						
4	82181500040	RESISTANCE	1		120 OHM 0.5W				
100	34932280200	HARNESS (ENGINE)	1						

# GR-1000-4-00101 5 BOOM + 2 JIB, 2M2D

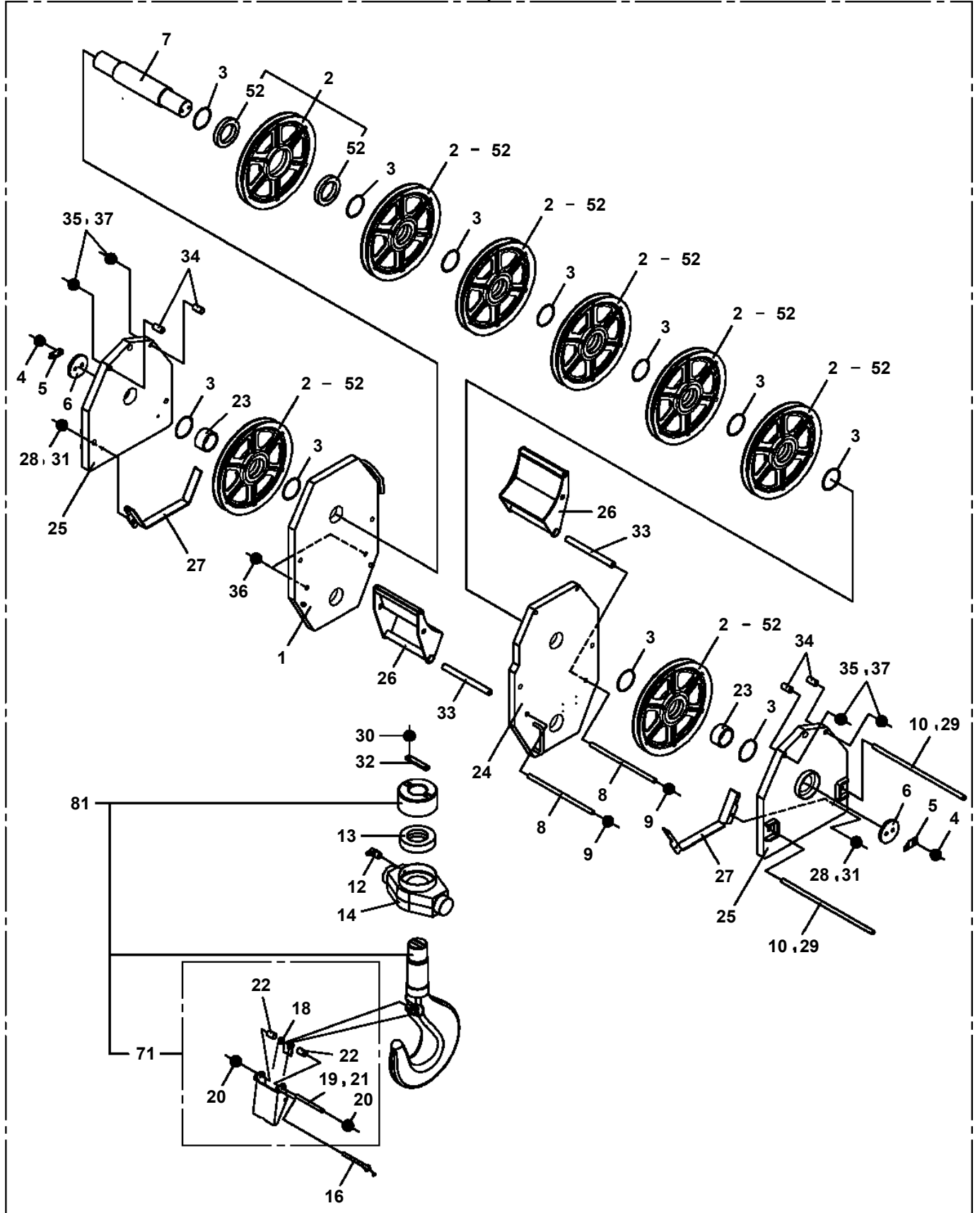
Pos No.	Parts No	Parts Name	Qty	Unit	Technical Data	Serial No (Start)	Serial No (End)	Remarks	Pages
1	34498960200	HARNESS	1						





GR-1000-4-00101 5 BOOM + 2 JIB, 2M2D  
PH5080293-00 HOOK ASSY (SHEAVE 8PCS)

100



# GR-1000-4-00101 5 BOOM + 2 JIB, 2M2D

Pos No.	Parts No	Parts Name	Qty	Unit	Technical Data	Serial No (Start)	Serial No (End)	Remarks	Pages
58	36646085011	VALVE,SOLENOID	1						00018
102	36646085060	RETAINER	2						
103	36646085040	ELEMENT,FILTER	2						
108	36646085050	BOLT	4						
300	36646080000	VALVE,SOLENOID	1						

## GR-1000-4-00101 5 BOOM + 2 JIB, 2M2D

Pos No.	Parts No	Parts Name	Qty	Unit	Technical Data	Serial No (Start)	Serial No (End)	Remarks	Page
3	36641687520	RETAINER (A)	2						
4	36641687530	RETAINER (B)	4						
5	36640175040	SPACER	4						
6	36641687560	SPRING (C)	2						
7	36649895010	SPRING	2						
8	36642915020	NUT	2						
9	36641687570	ROD	2						
10	36740075010	GUIDE (SOLENOID)	2						
11	36646375050	COIL,SOLENOID	2						
14	36649735030	O-RING	4						
15	36740455020	O-RING	2						
16	91002801800	O-RING	2		1B P18				
17	36740455040	O-RING	2						
100	36649890000	VALVE,SOLENOID	1						

# GR-1000-4-00101 5 BOOM + 2 JIB, 2M2D

Pos No.	Parts No	Parts Name	Qty	Unit	Technical Data	Serial No (Start)	Serial No (End)	Remarks	Pages
1	36645900000	VALVE,SOLENOID	1						00017
2	36740171000	BODY	1						
3	36741500100	ORIFICE	2						
50	36741500000	VALVE,SOLENOID	1						

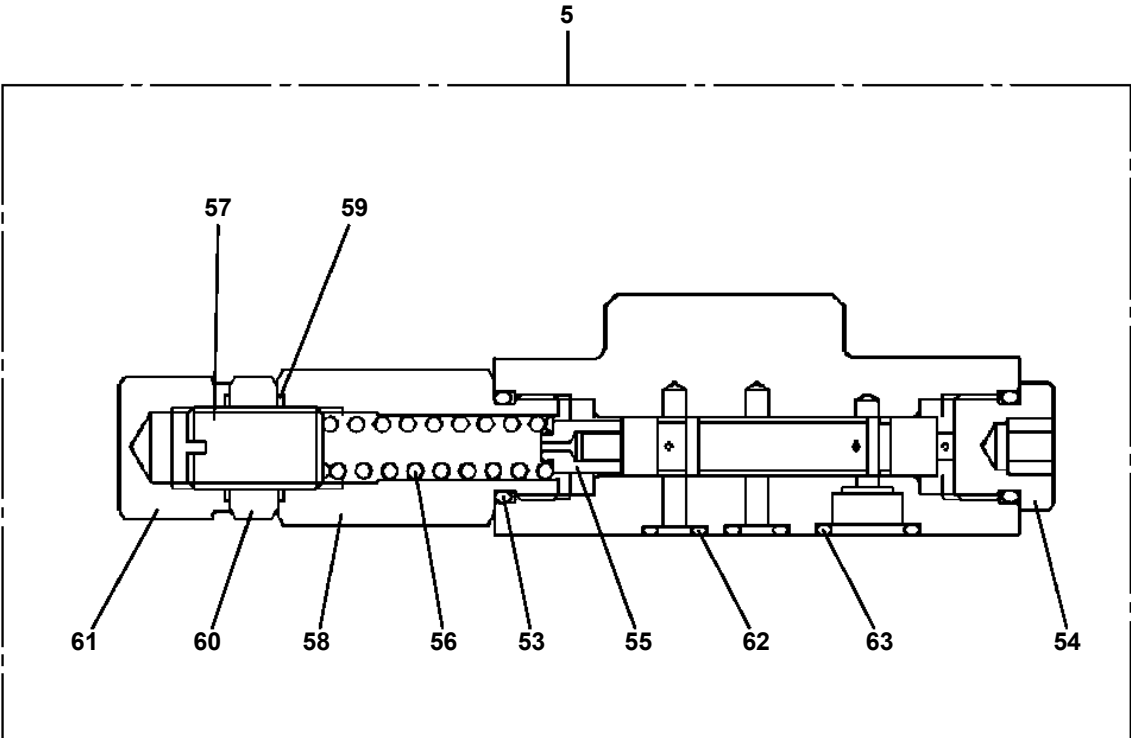
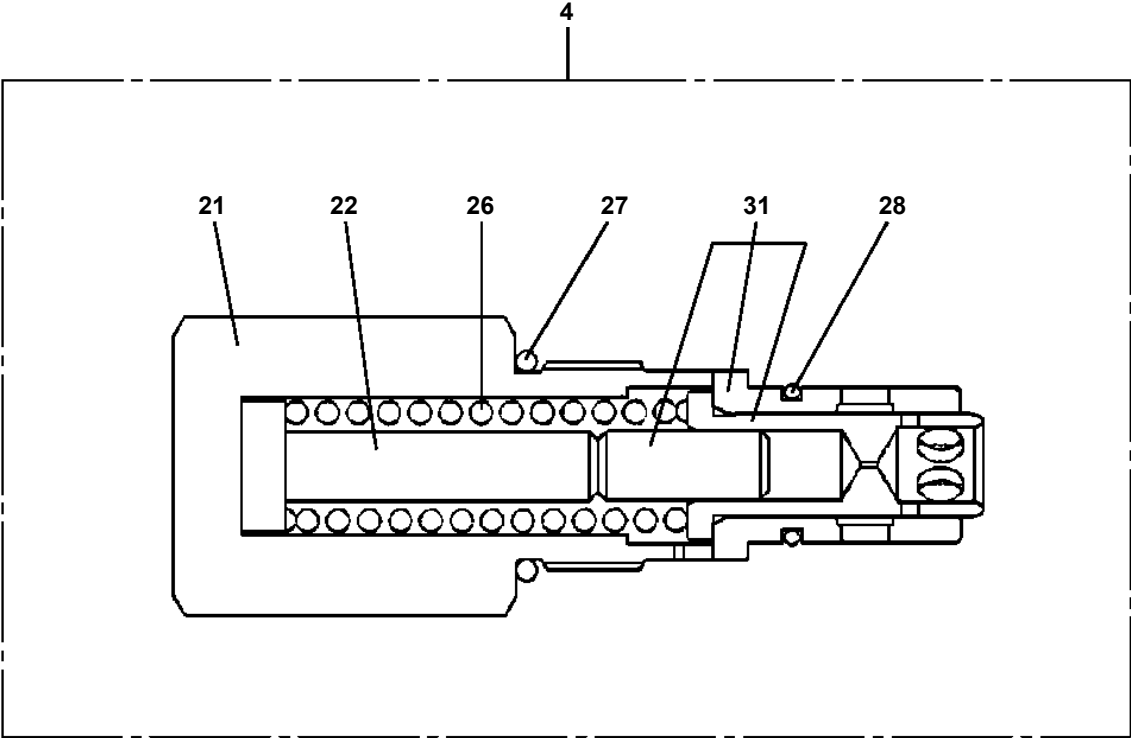
# GR-1000-4-00101 5 BOOM + 2 JIB, 2M2D

Pos No.	Parts No	Parts Name	Qty	Unit	Technical Data	Serial No (Start)	Serial No (End)	Remarks	Pages
4	36624145040	SPRING	2						
6	91040101200	O-RING	1		P12				
7	91411001200	RING,BACKUP	2		P12				
8	91002801400	O-RING	2		1B P14				
9	91002801800	O-RING	2		1B P18				
10	91002801100	O-RING	2		1B P11				
12	59457138000	PLUG ASSY	2						
30	36624140000	VALVE,CHECK	1						

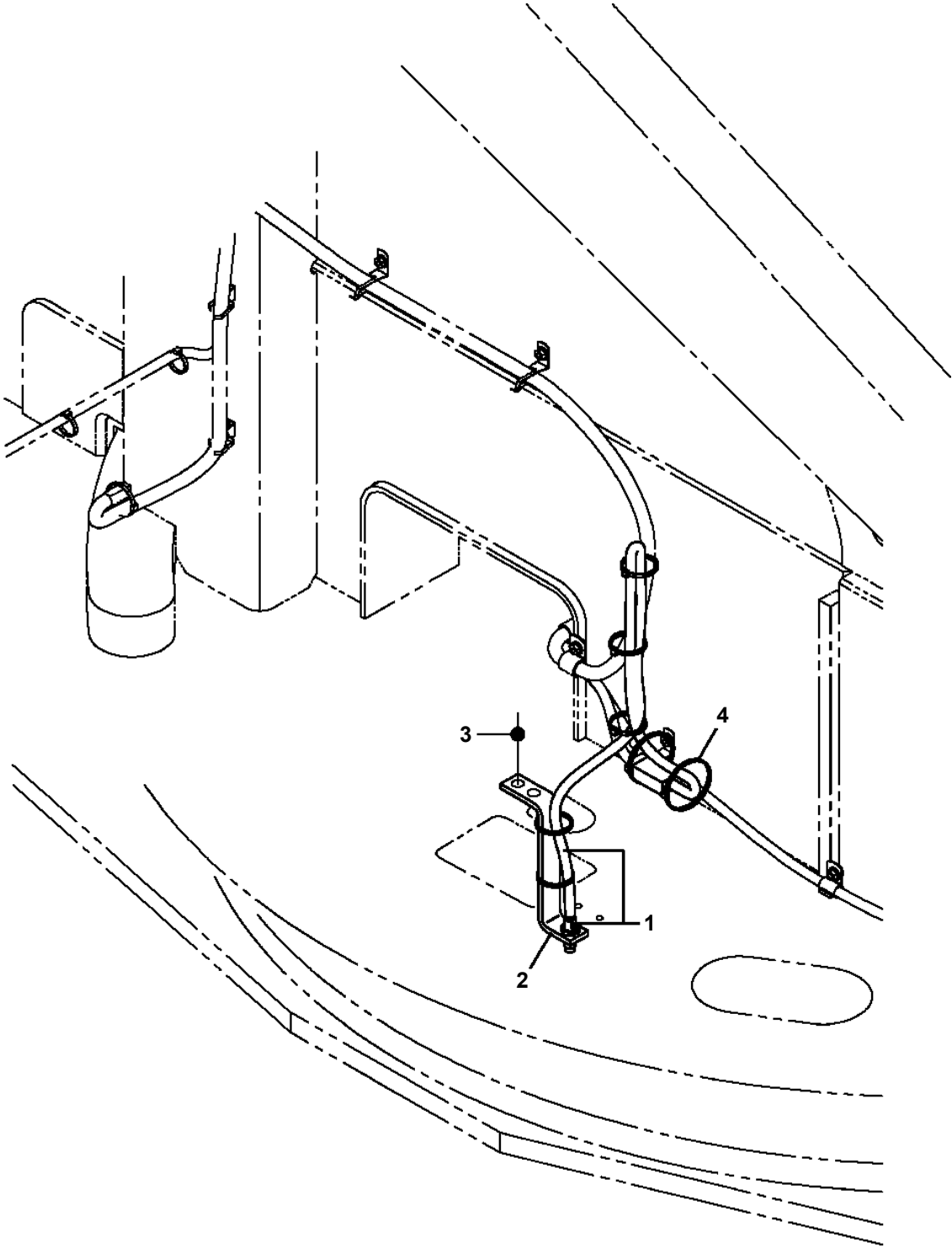
# GR-1000-4-00101 5 BOOM + 2 JIB, 2M2D

Pos No.	Parts No	Parts Name	Qty	Unit	Technical Data	Serial No (Start)	Serial No (End)	Remarks	Pages
12	91002801400	O-RING	2		1B P14				
100	36625740001	VALVE,CHECK	1						

GR-1000-4-00101 5 BOOM + 2 JIB, 2M2D  
PI1270012-01 VALVE,SEQUENCE

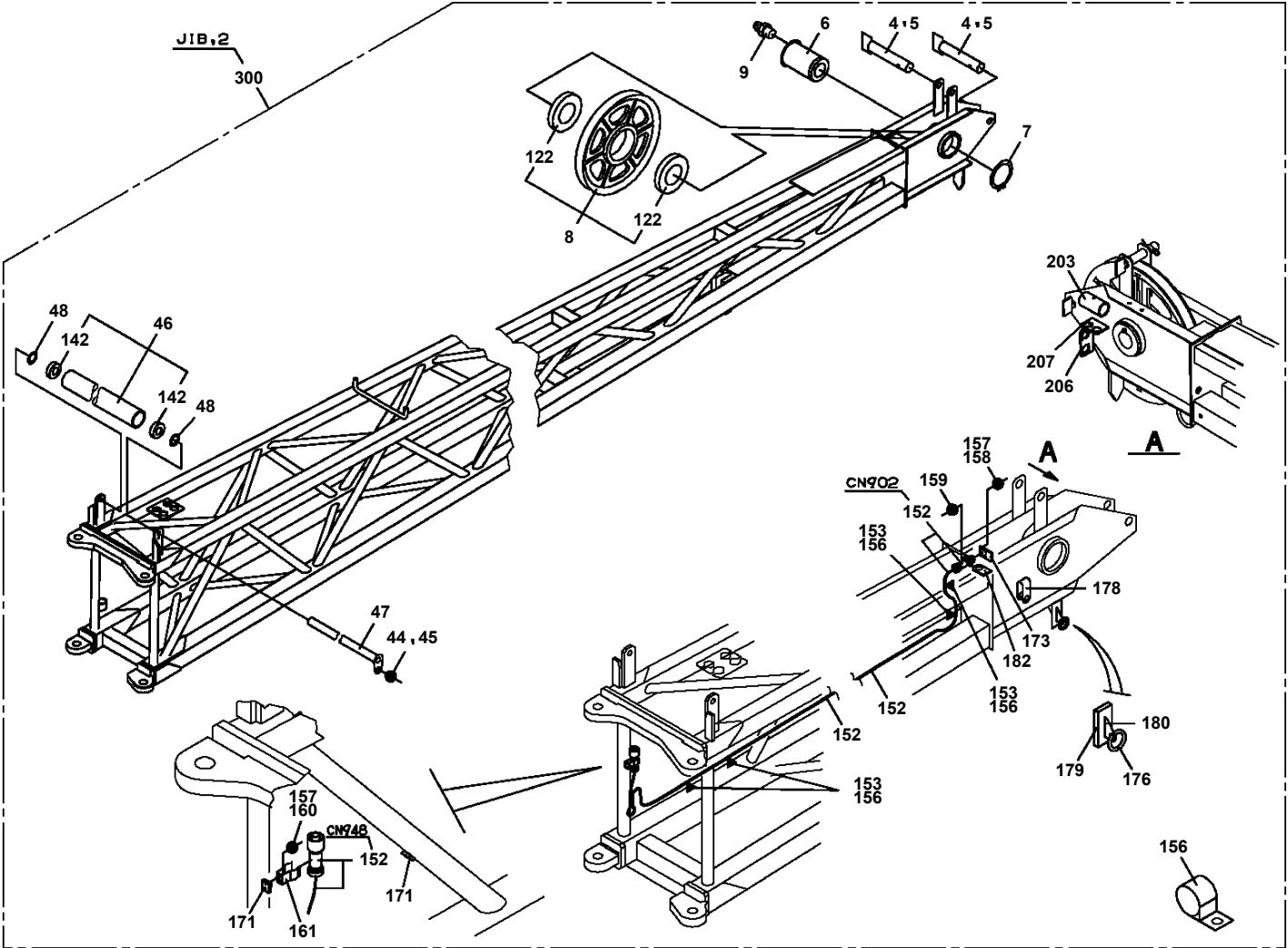


GR-1000-4-00101 5 BOOM + 2 JIB, 2M2D  
PI5040012-00 INDICATOR ASSY,FRONT

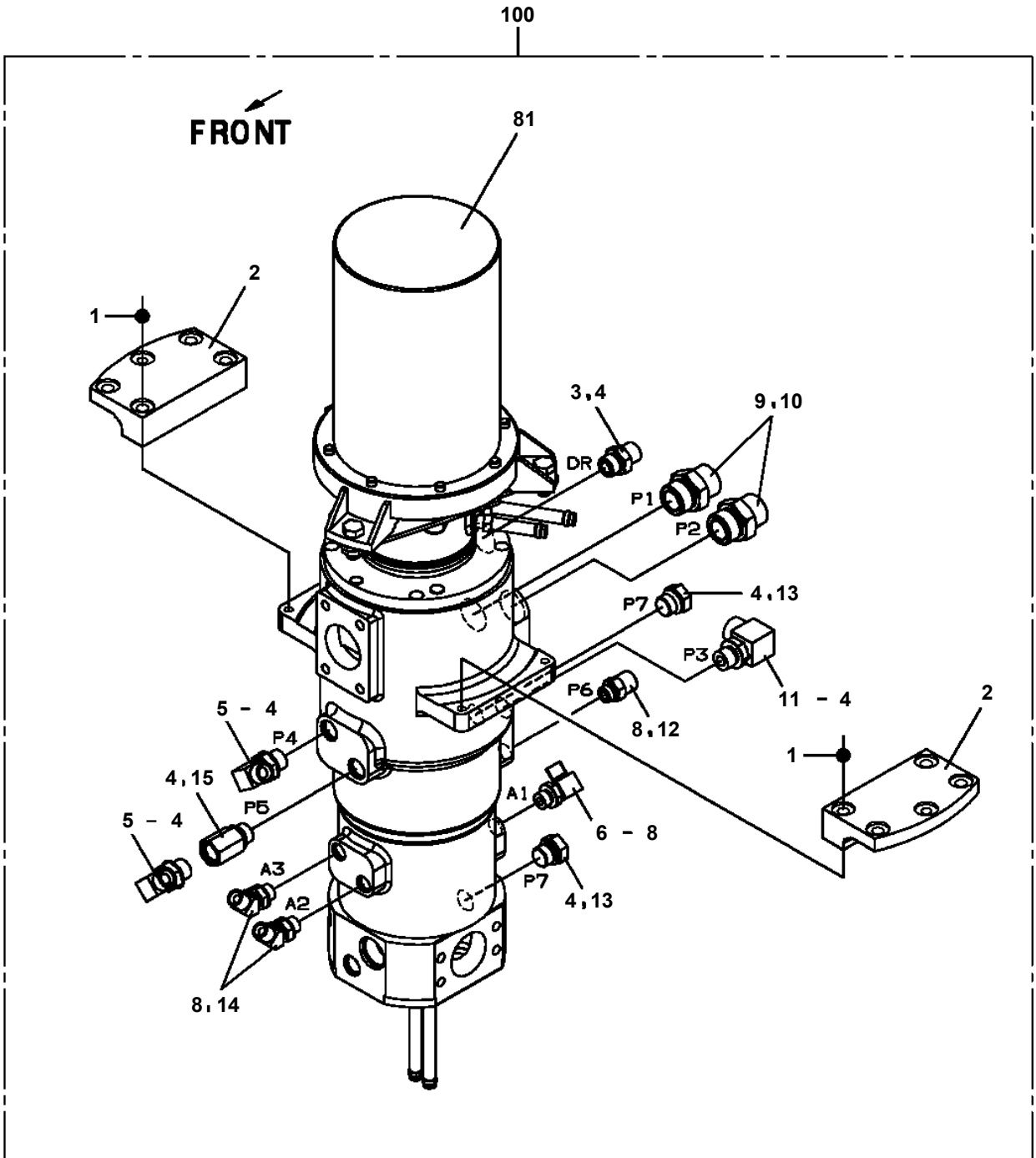




GR-1000-4-00101 5 BOOM + 2 JIB, 2M2D  
PJ5070048-00 JIB ASSY,2



GR-1000-4-00101 5 BOOM + 2 JIB, 2M2D  
PJ5090136-00 JOINT ASSY, SWIVEL



CLICK HERE TO **DOWNLOAD** THE COMPLETE MANUAL

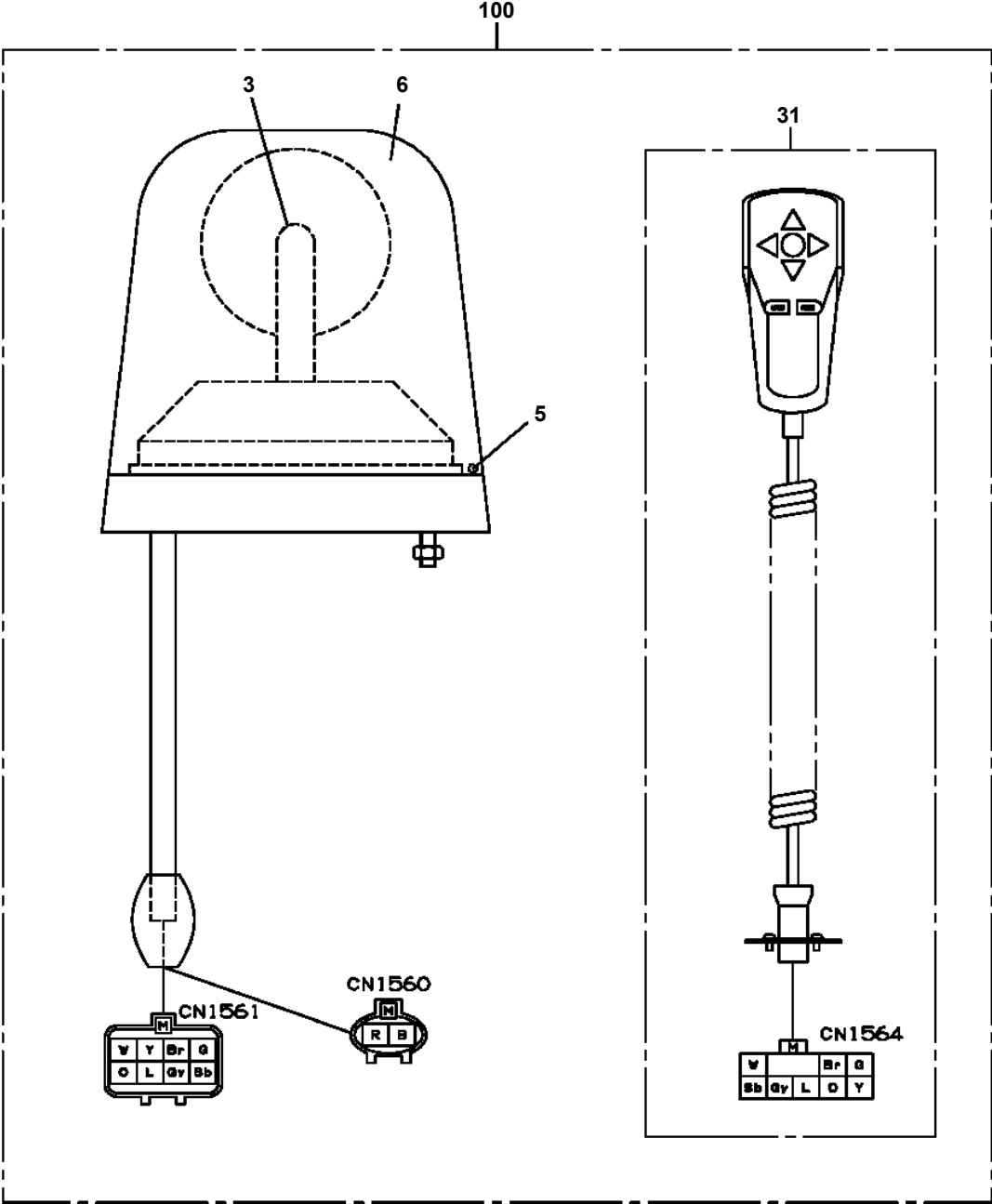
- Thank you very much for reading the preview of the manual.
- You can download the complete manual from: [www.heydownloads.com](http://www.heydownloads.com) by clicking the link below



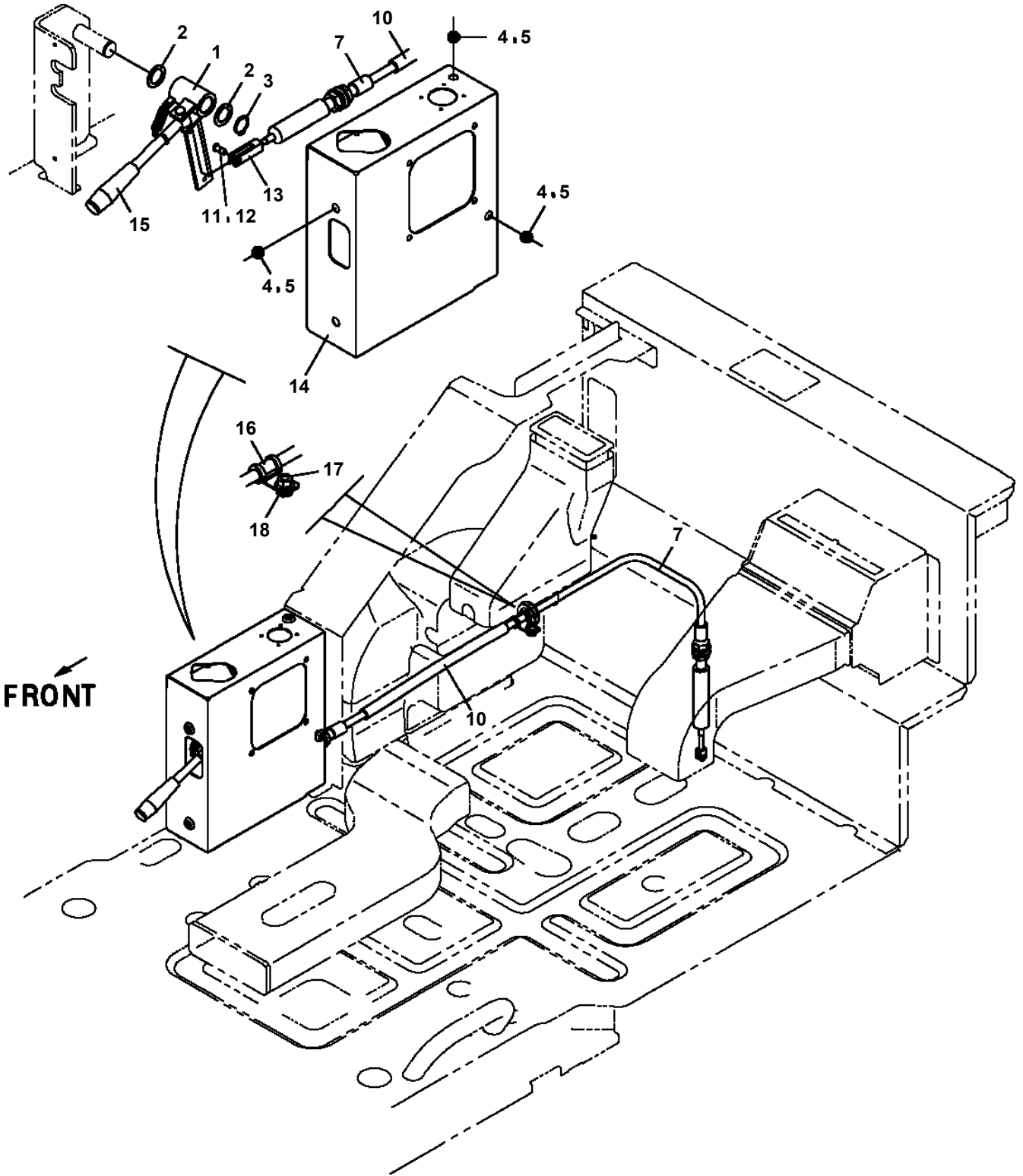
- Please note: If there is no response to CLICKING the link, please download this PDF first and then click on it.

CLICK HERE TO **DOWNLOAD** THE COMPLETE MANUAL

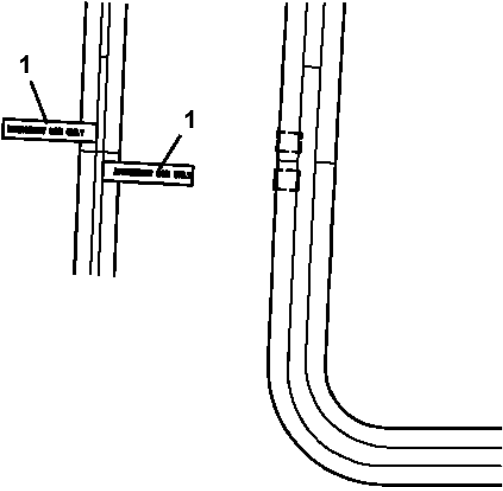
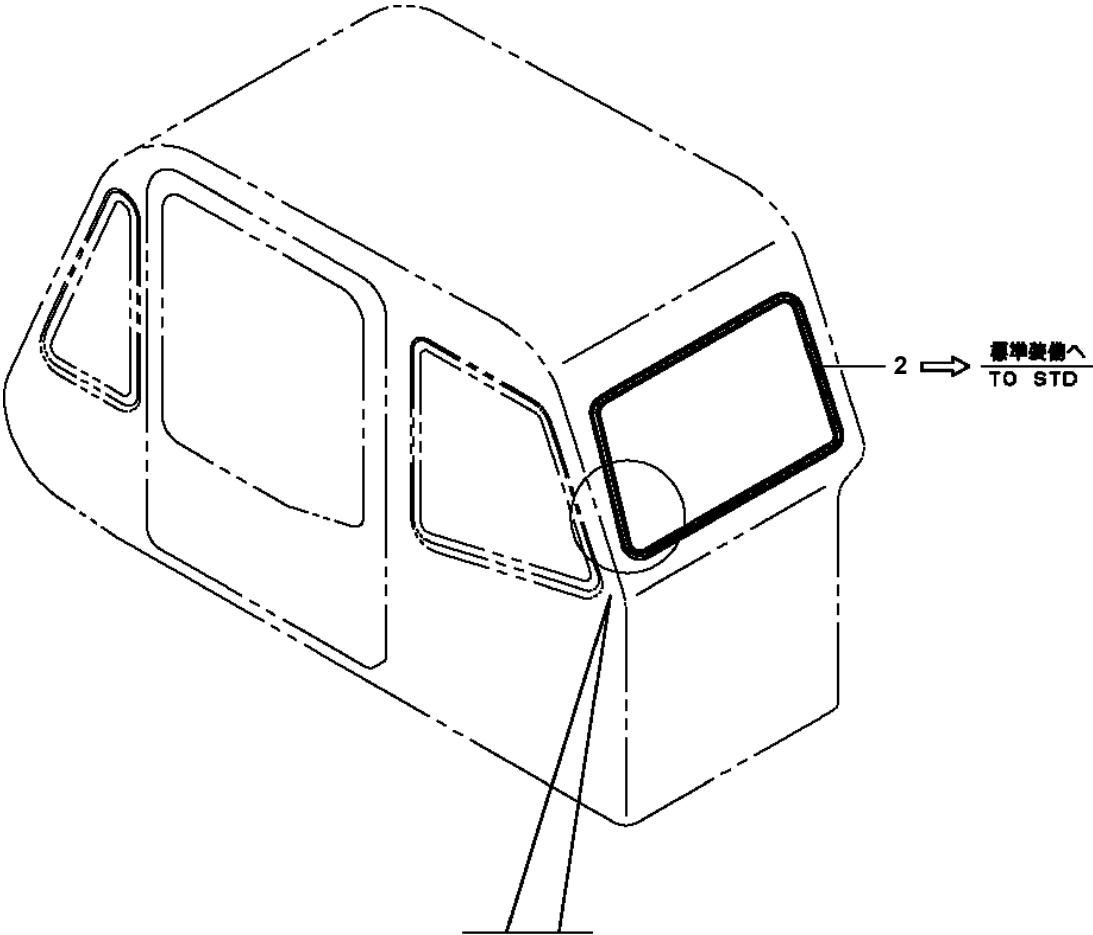
GR-1000-4-00101 5 BOOM + 2 JIB, 2M2D  
PL5020153-00 LAMP ASSY (WITH REMOTE CONTROL SW)



**GR-1000-4-00101 5 BOOM + 2 JIB, 2M2D**  
**PL5300029-00 LOCK ASSY, SWING**

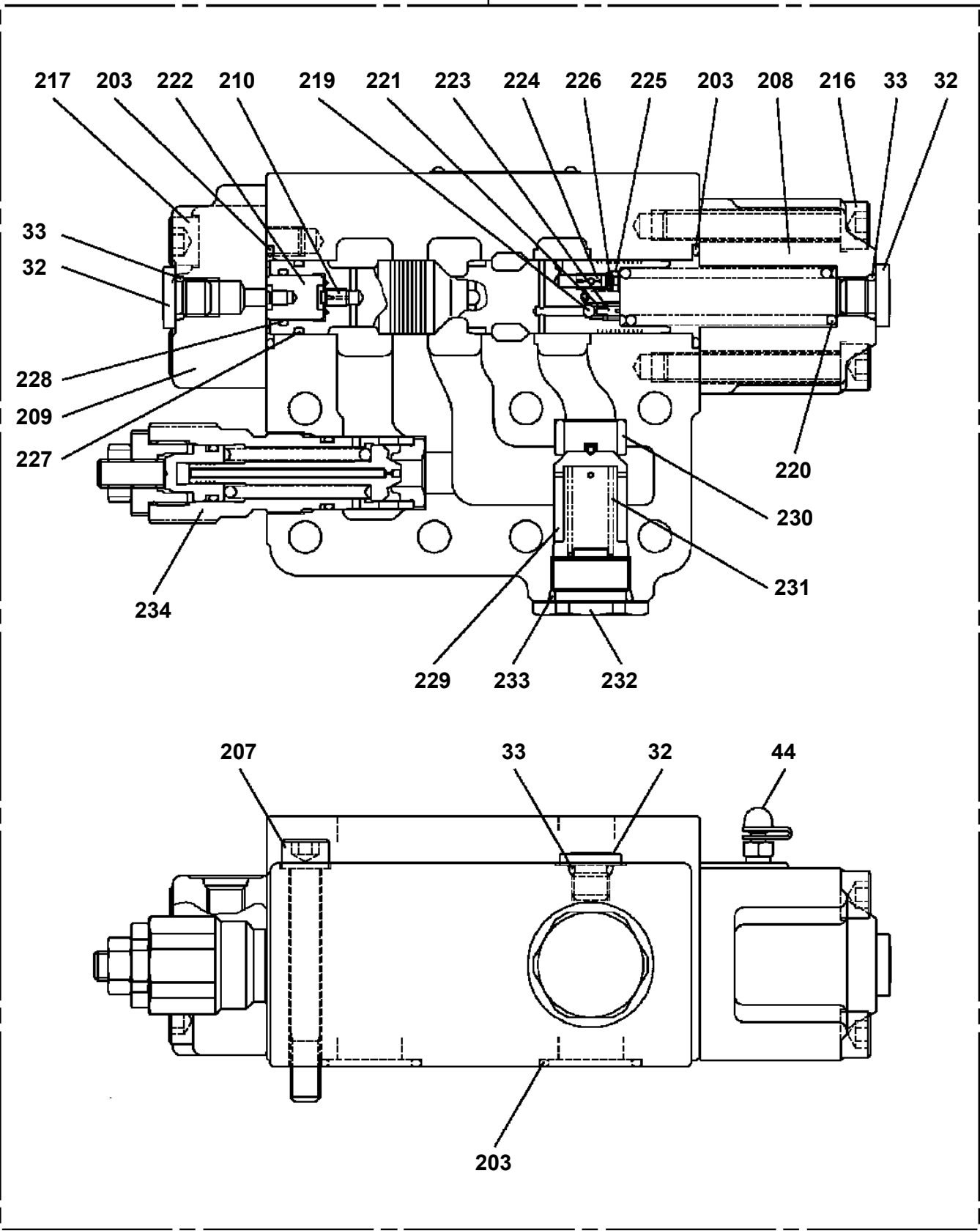


GR-1000-4-00101 5 BOOM + 2 JIB, 2M2D  
PM5150499-00 MODIFICATION ASSY (CAB/EMERGENCY EXIT)



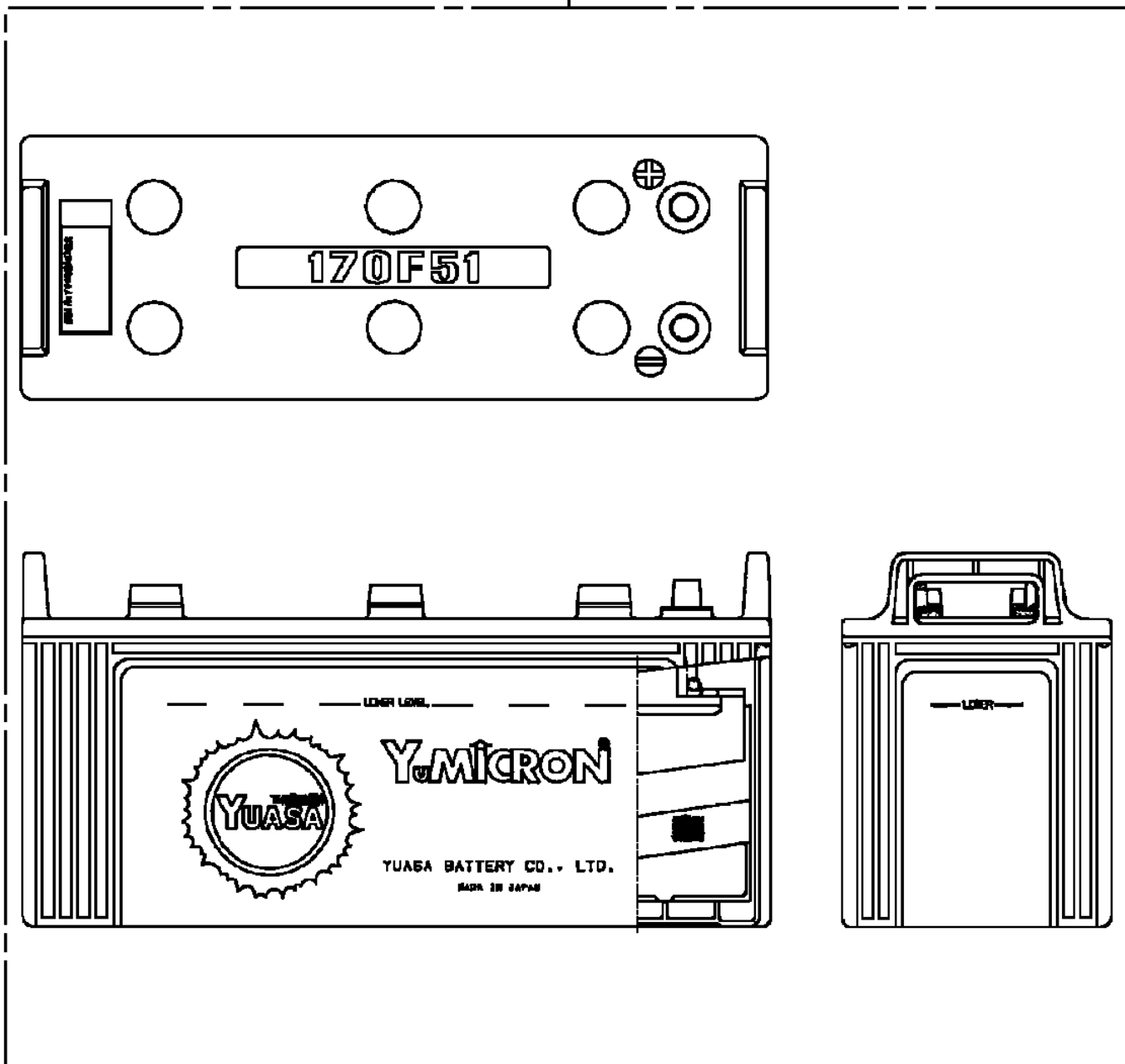
GR-1000-4-00101 5 BOOM + 2 JIB, 2M2D  
PM5210004-00 MOTOR ASSY,OIL (WINCH)

700

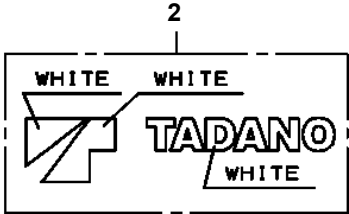
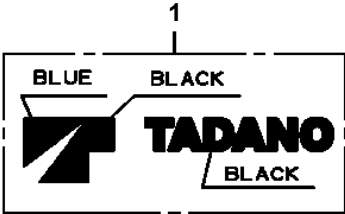
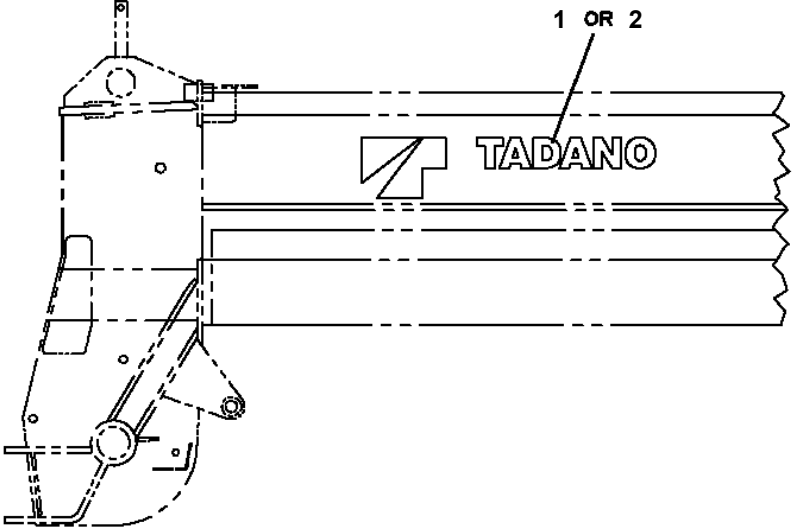


GR-1000-4-00101 5 BOOM + 2 JIB, 2M2D  
PN1370121-00 BATTERY (YUASA,170F51)

1



GR-1000-4-00101 5 BOOM + 2 JIB, 2M2D  
PN5010362-00 NAME PLATE ASSY (LOGO MARK)





# GR-1000-4-00101 5 BOOM + 2 JIB, 2M2D

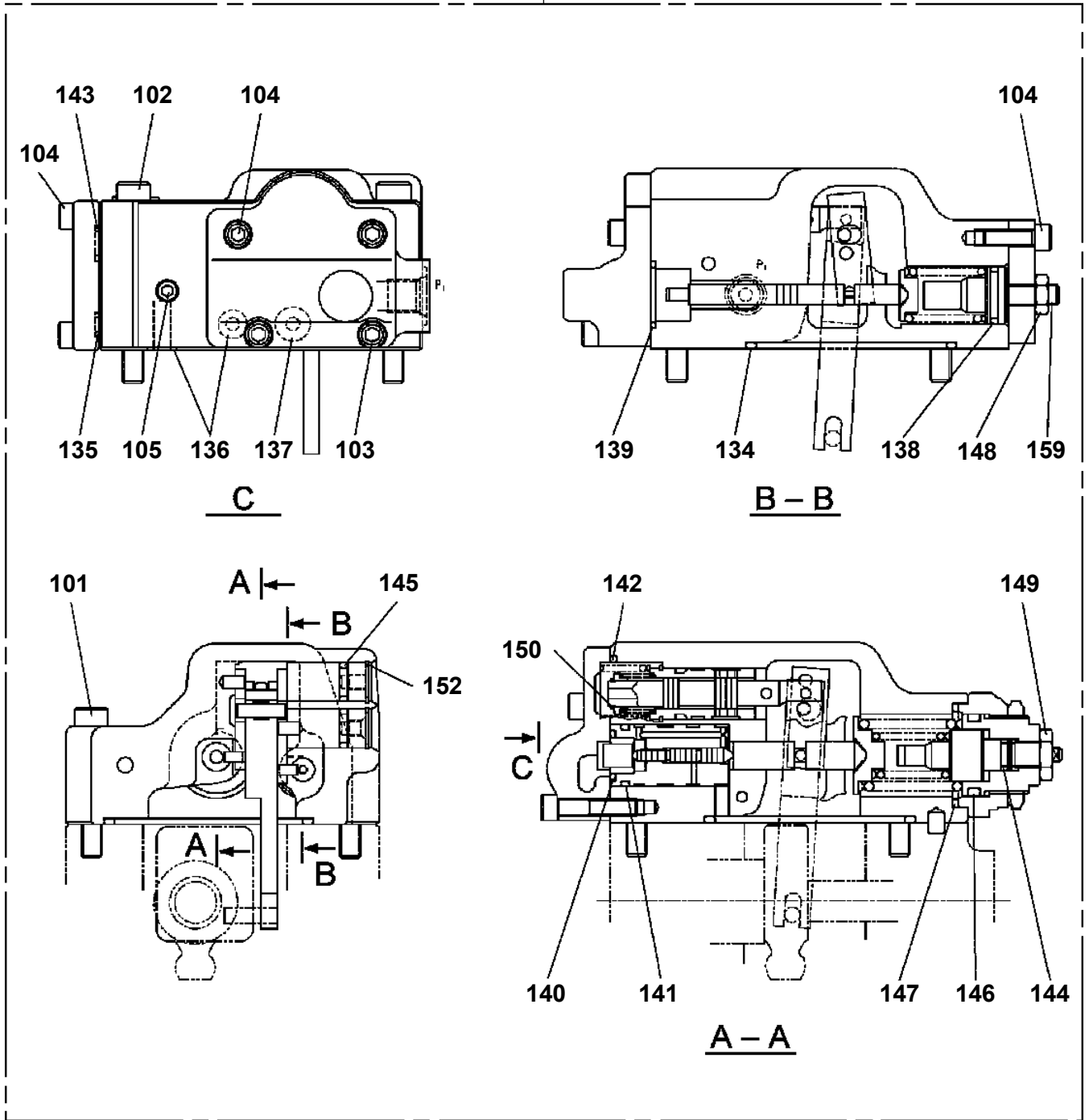
Pos No.	Parts No	Parts Name	Qty	Unit	Technical Data	Serial No (Start)	Serial No (End)	Remarks
1	34693033400	COVER	2					
2	34693032700	SUPPORT	1					
3	34693032800	SUPPORT	1					
4	34694241200	STEP ASSY	1					
5	34694241300	COVER	1					
6	34694241400	FENDER ASSY (F)	2					
7	34694241500	COVER ASSY (NON SLIP)	1					
8	34694241600	FENDER ASSY (R,R)	1					
9	34694241700	FENDER ASSY (R,L)	1					
10	34694241800	COVER	1					
11	34694241900	FENDER (F,R)	1					
12	34694245100	FENDER (F,L)	1					
13	34694245200	FENDER (F,R)	1					
14	34694245300	FENDER (F,L)	1					
15	34694245400	COVER	1					
16	34694245500	STEP ASSY	1					
17	34694245600	COVER	1					
18	34694245700	FENDER (R)	2					
19	34694245800	FENDER (R,R)	1					
20	34694245900	FENDER (R,L)	1					
21	34694246100	STEP ASSY	1					
22	34694247100	SUPPORT (R)	1					
23	34694247200	SUPPORT (L)	1					
24	34694246400	SUPPORT	8					
25	34694246500	SUPPORT	1					
26	34694246600	SUPPORT	2					
27	90186210020	BOLT,FLANGE	N		M10X20			
28	37000505950	PLATE	56		T=3.2			
29	90186206010	BOLT,FLANGE	8		M6X10			
30	90280201000	NUT,FLANGE	2		M10		RA0736	
	90280201000	NUT,FLANGE	6		M10	RA0737		
31	90186210025	BOLT,FLANGE	4		M10X25	RA0737		
32	34694250200	COVER ASSY (NON SLIP)	1					
33	34694250300	COVER (R)	1					
34	34694246550	SUPPORT	2					
35	34694247101	SUPPORT (R)	1					
36	34694247201	SUPPORT (L)	1					
37	90180210020	BOLT,BUTTON	2		M10X20			

# GR-1000-4-00101 5 BOOM + 2 JIB, 2M2D

Pos No.	Parts No	Parts Name	Qty	Unit	Technical Data	Serial No (Start)	Serial No (End)	Remarks	Pages
1	82456101000	NIPPLE,GREASE	2		A-PT1/8				
2	82458102000	NIPPLE,GREASE	4		B-PT1/8				

GR-1000-4-00101 5 BOOM + 2 JIB, 2M2D  
PP5420007-02 PUMP ASSY,OIL (MAIN)

71



# GR-1000-4-00101 5 BOOM + 2 JIB, 2M2D

Pos No.	Parts No	Parts Name	Qty	Unit	Technical Data	Serial No (Start)	Serial No (End)	Remark
2	37000701510	CLAMP ASSY	2		12X2			
4	80320010080	FITTING	2		KUD12-030N			
5	80320030140	FITTING,ELBOW	3		KLE18-040N			
6	80430620600	JOINT (WITH O-RING)	4		L,G3/8-G3/8			
7	80306010105	NUT	2		KKN12-000E			
8	80309010105	SLEEVE	2		KK012-000E			
9	37000701560	CLAMP ASSY	9		18X2			
10	37000711000	CLAMP ASSY	1		12-1			
11	37000711090	CLAMP ASSY	1		18X2			
12	80471020504	JOINT	1		HL205-04			
13	80305131202	FITTING,TEE	1		T G1/4-12-12			
14	80302090141	FITTING	3		KCO12-020N			
15	91002801100	O-RING	4		1B P11			
16	80302090241	FITTING	4		KCO18-040N			
17	91002801800	O-RING	15		1B P18			
18	80400160131	JOINT	3					
19	36626190000	VALVE ASSY,CHECK	1					
20	80303130241	FITTING,ELBOW	4		KLO18-040E			
21	90101210060	BOLT	2		M10X60			
22	37000925740	JOINT	2		S G1/2-G1/2			
25	37000903570	JOINT	1					
28	90186208020	BOLT,FLANGE	2		M8X20			
29	36620530002	VALVE,PILOT CHECK	1					
30	90101210075	BOLT	4		M10X75			
31	90302041001	WASHER,SPRING	6		10			
32	36741550000	VALVE,SOLENOID	1					
33	90172108080	BOLT,HEXAGON SOCKET	3		M8X80			
34	90280200800	NUT,FLANGE	5		M8			
35	91860100022	CLAMP	1		KCR-W22			
37	80301010160	FITTING	8		KUA18-000N			
43	80305010100	FITTING,TEE	2		KTA12-000N			
44	36672630000	FILTER (WITH O-RING)	2					
45	80303130141	FITTING,ELBOW	2		KLO12-020E			
47	37000701500	CLAMP ASSY	11		12X1			
48	37000701550	CLAMP ASSY	7		18X1			
49	80320010140	FITTING	1		KUD18-040N			
50	37012409800	HOSE	2		L=440			
51	37012404150	HOSE	4		L=900			
52	37002456870	HOSE	1		L=750			
53	37002448290	HOSE	1		L=650			
54	37012409810	HOSE	2		L=390			
55	37002449580	HOSE	2		L=550			
56	37012404130	HOSE	1		L=610			
57	37002481750	HOSE	1		L=860			
58	80301010100	FITTING	2		KUA12-000N			
59	80400160177	JOINT	4		T,G1/2-G1/2-G3/8			
60	81408000241	PIPE,STEEL	2	M	18X1.9T			
61	81408000241	PIPE,STEEL	2	M	18X1.9T			
62	81408000241	PIPE,STEEL	2	M	18X1.9T			
63	81408000241	PIPE,STEEL	2	M	18X1.9T			
64	81408000241	PIPE,STEEL	2	M	18X1.9T			
65	81408000241	PIPE,STEEL	2	M	18X1.9T			
66	81408000241	PIPE,STEEL	2	M	18X1.9T			
67	81408000241	PIPE,STEEL	2	M	18X1.9T			
71	81408000241	PIPE,STEEL	2	M	18X1.9T			
72	81408000241	PIPE,STEEL	2	M	18X1.9T			
73	81408000241	PIPE,STEEL	2	M	18X1.9T			
74	81408000160	PIPE,STEEL	2	M	12X1.4T			
75	81408000160	PIPE,STEEL	2	M	12X1.4T			
77	81408000160	PIPE,STEEL	2	M	12X1.4T			
78	81408000160	PIPE,STEEL	3	M	12X1.4T			
80	81408000160	PIPE,STEEL	1	M	12X1.4T			
81	81408000160	PIPE,STEEL	2	M	12X1.4T			

# GR-1000-4-00101 5 BOOM + 2 JIB, 2M2D

Pos No.	Parts No	Parts Name	Qty	Unit	Technical Data	Serial No (Start)
63	90101208060	BOLT	6		M8X60	
64	90101210016	BOLT	6		M10X16	
65	90101212020	BOLT	6		M12X20	
66	80305131804	FITTING,TEE	2		F62186-18-04	
67	82401800100	PLUG (FOR M10)	1			
68	90302040801	WASHER,SPRING	26		8	
69	90302041001	WASHER,SPRING	7		10	
70	90302041201	WASHER,SPRING	8		12	
71	80330001300	FITTING,TEE	1		KTR18-120N	
72	91810130250	FASTENER	11			
73	37000930200	JOINT	1		S,G1-G1	
74	91803930500	CLIP	4		38-50	
75	37002508730	HOSE	1		L=150	
76	80481102030	JOINT	3		L G1/4-G3/8	
77	90186208014	BOLT,FLANGE	10		M8X14	
78	34347481400	SUPPORT	1			
79	34347482100	JOINT	1			
80	34347482200	JOINT	1			
81	34346056700	PLATE	1		T=12	
82	37000921300	JOINT	1		S,PF1/4-PF1/4	
83	37000920980	JOINT	4		PF3/8-PF3/8	
85	37012409930	HOSE	1		L=400	
86	37012409920	HOSE	1		L=415	
87	37012401100	HOSE	1		L=490	
88	37012409890	HOSE	1		L=1470	
89	37012409900	HOSE	1		L=1470	
90	37012401090	HOSE	2		L=420	
92	37002481680	HOSE	1		L=520	
93	37012409880	HOSE	1		L=650	
94	37012409870	HOSE	1		L=750	
95	37012409860	HOSE	1		L=1090	
96	37000601430	CUSHION	2		28X2	
97	90101212055	BOLT	2		M12X55	
98	90101208030	BOLT	8		M8X30	
99	90101210070	BOLT	1		M10X70	
100	90201201200	NUT	2		M12	
101	81408000160	PIPE,STEEL	2	M	12X1.4T	
103	81408000160	PIPE,STEEL	1	M	12X1.4T	
104	81408000160	PIPE,STEEL	1	M	12X1.4T	
105	81408000160	PIPE,STEEL	2	M	12X1.4T	
106	81408000160	PIPE,STEEL	1	M	12X1.4T	
107	81408000160	PIPE,STEEL	1	M	12X1.4T	
108	81408000160	PIPE,STEEL	1	M	12X1.4T	
109	81408000160	PIPE,STEEL	1	M	12X1.4T	
110	81408000160	PIPE,STEEL	1	M	12X1.4T	
111	81408000160	PIPE,STEEL	2	M	12X1.4T	
112	81408000160	PIPE,STEEL	1	M	12X1.4T	
113	81408000160	PIPE,STEEL	1	M	12X1.4T	
114	81408000160	PIPE,STEEL	3	M	12X1.4T	
115	81408000160	PIPE,STEEL	1	M	12X1.4T	
116	81408000160	PIPE,STEEL	1	M	12X1.4T	
117	81408000160	PIPE,STEEL	1	M	12X1.4T	
118	81408000160	PIPE,STEEL	1	M	12X1.4T	
119	81408000160	PIPE,STEEL	1	M	12X1.4T	
120	81408000160	PIPE,STEEL	2	M	12X1.4T	
121	81408000160	PIPE,STEEL	1	M	12X1.4T	
122	81408000160	PIPE,STEEL	1	M	12X1.4T	
123	81408000160	PIPE,STEEL	1	M	12X1.4T	
124	81408000160	PIPE,STEEL	1	M	12X1.4T	
125	81408000160	PIPE,STEEL	1	M	12X1.4T	
126	81408000160	PIPE,STEEL	1	M	12X1.4T	
127	81408000160	PIPE,STEEL	1	M	12X1.4T	
128	81408000160	PIPE,STEEL	1	M	12X1.4T	

# GR-1000-4-00101 5 BOOM + 2 JIB, 2M2D

Pos No.	Parts No	Parts Name	Qty	Unit	Technical Data	Serial No (Start)	Serial No
63	90186208020	BOLT,FLANGE	6		M8X20		
64	37002516500	HOSE	1		L=200		
65	37002516490	HOSE	1		L=175		
66	91803880110	CLIP	4		D=10.0-12.2		
67	36645970000	VALVE ASSY,SOLENOID (ASSY ONLY)	1				
68	37000904430	FITTING,TEE	1		T,R1/4-M16-M16		
69	37000901290	FITTING,ELBOW	3		L,R1/4-6.35		
70	34921111001	SUPPORT	1				
71	36101940000	TANK,BRAKE FLUID	1				
72	34921313000	TANK,BRAKE FLUID	1				
73	90186206020	BOLT,FLANGE	4		M6X20		
74	90280200600	NUT,FLANGE	4		M6		
75	91810130250	FASTENER	1				
76	34340990300	WIRE	1				
77	90186206014	BOLT,FLANGE	2		M6X14		
78	37000903940	FITTING	1		S,R3/8-M20		
79	37000932130	JOINT	1		R1/2-RC3/8-3/8		
80	37000918060	JOINT,BUSHING	1		S R1/4-RC1/8		
81	37000932750	PLUG	1		R1/8		
82	34923776040	TUBE ASSY	1		10XT1.25 L=450		
104	37000923290	JOINT	1		S,R3/8-R1/4	RA0773	
112	37000904840	NUT,FLARE	2		M20		
132	37000904830	NUT,FLARE	6		M16		

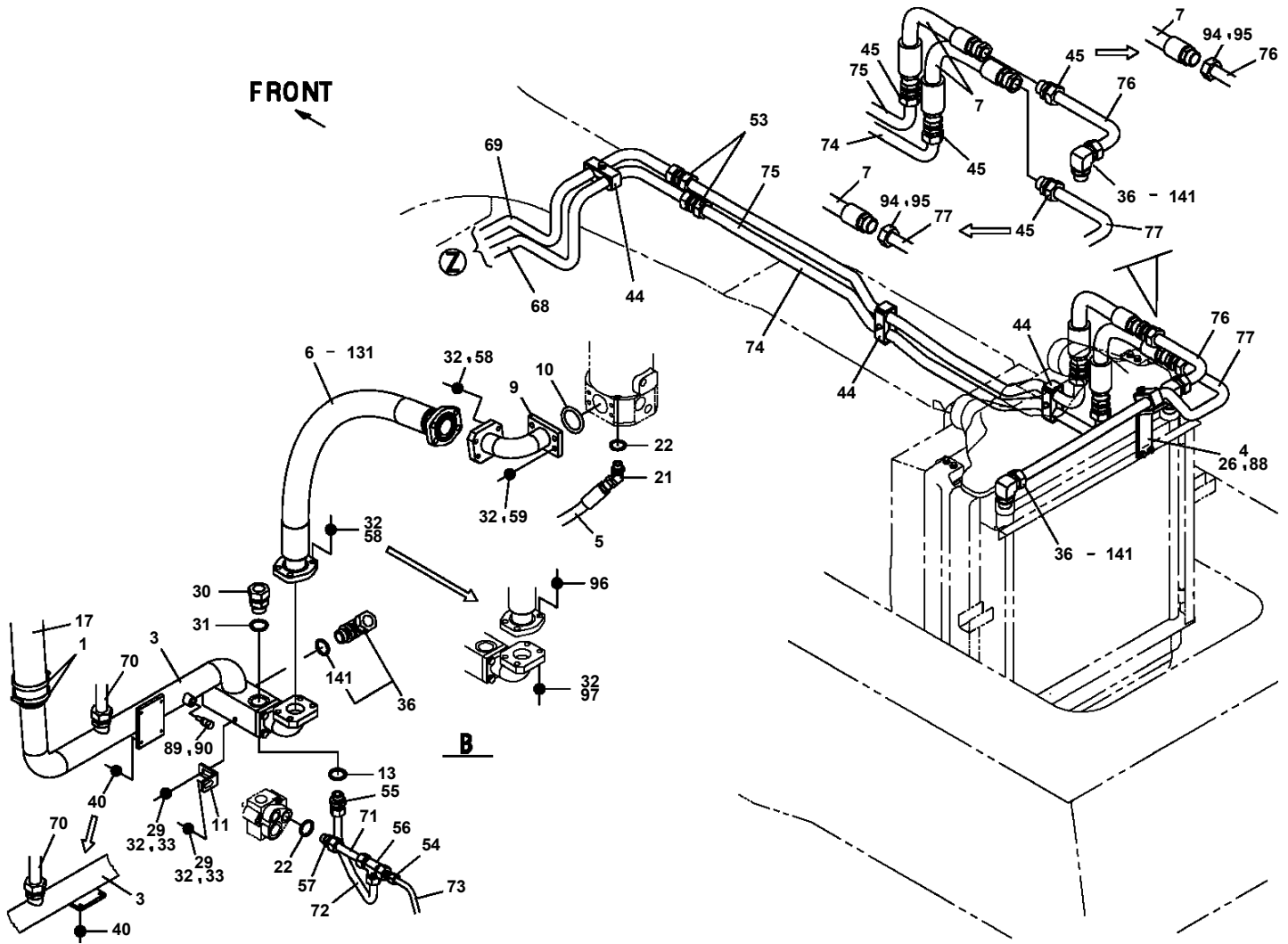
## GR-1000-4-00101 5 BOOM + 2 JIB, 2M2D

Pos No.	Parts No	Parts Name	Qty	Unit	Technical Data	Serial No (Start)	Serial No (End)
1	36671270000	FILTER,OIL (TORQUE CONVERTER)	1				
3	34922520100	FITTING,FLANGE	1				
4	80430451650	JOINT	1				
5	80434508080	JOINT	3		L,G1,G1		
6	80400160135	JOINT	2				
7	80400160137	JOINT	1				
8	80430471650	JOINT	1		45,R1-G1		
9	37000912850	JOINT	1		S,G1-G11/4		
10	80400160129	JOINT	2				
11	80471020503	JOINT	1		45,G3/8-G3/8		
12	37000913040	JOINT (WITH O-RING)	2		L,G1-G3/4		
13	37000925030	JOINT	1		PF3/8-PF3/8		
14	80481103030	JOINT	1		L,G3/8-G3/8		
15	80471020506	JOINT	1		45,G3/4-G3/4		
16	80481110100	JOINT	1		L,G1-1/4,G1-1/4		
18	91067101400	O-RING	5		P14		
19	91067102400	O-RING	1		P24		
20	91067102900	O-RING	8		P29		
21	91067103800	O-RING	2		P38		
22	91067204000	O-RING	1		G40		
23	37002415560	HOSE	1		L=960		
24	37002415660	HOSE	1		L=2650		
25	37002487190	HOSE	1		L=1550		
26	37002490390	HOSE	1		L=2290		
27	37002484840	HOSE	1		L=680		
28	37012401270	HOSE	1		L=2560		
29	37002408900	HOSE	1		L=2000		
30	37002490400	HOSE	1		L=1720		
31	37002461060	HOSE	1		L=1600		
32	91860100045	CLAMP	3		KCR-W45		
33	91860100040	CLAMP	2		KCR-W40		
34	91860100035	CLAMP	13		KCR-W35		
35	91860100020	CLAMP	4		KCR-W20		
36	82100002040	CLAMP	1		WE15		
37	90186208035	BOLT,FLANGE	1		M8X35		
38	90186208025	BOLT,FLANGE	9		M8X25		
39	90186210020	BOLT,FLANGE	2		M10X20		
40	90280200800	NUT,FLANGE	24		M8		
41	91810132530	FASTENER	7				
42	82100002535	TUBE,SPIRAL	N		SE-29BK		
43	90186210030	BOLT,FLANGE	4		M10X30		

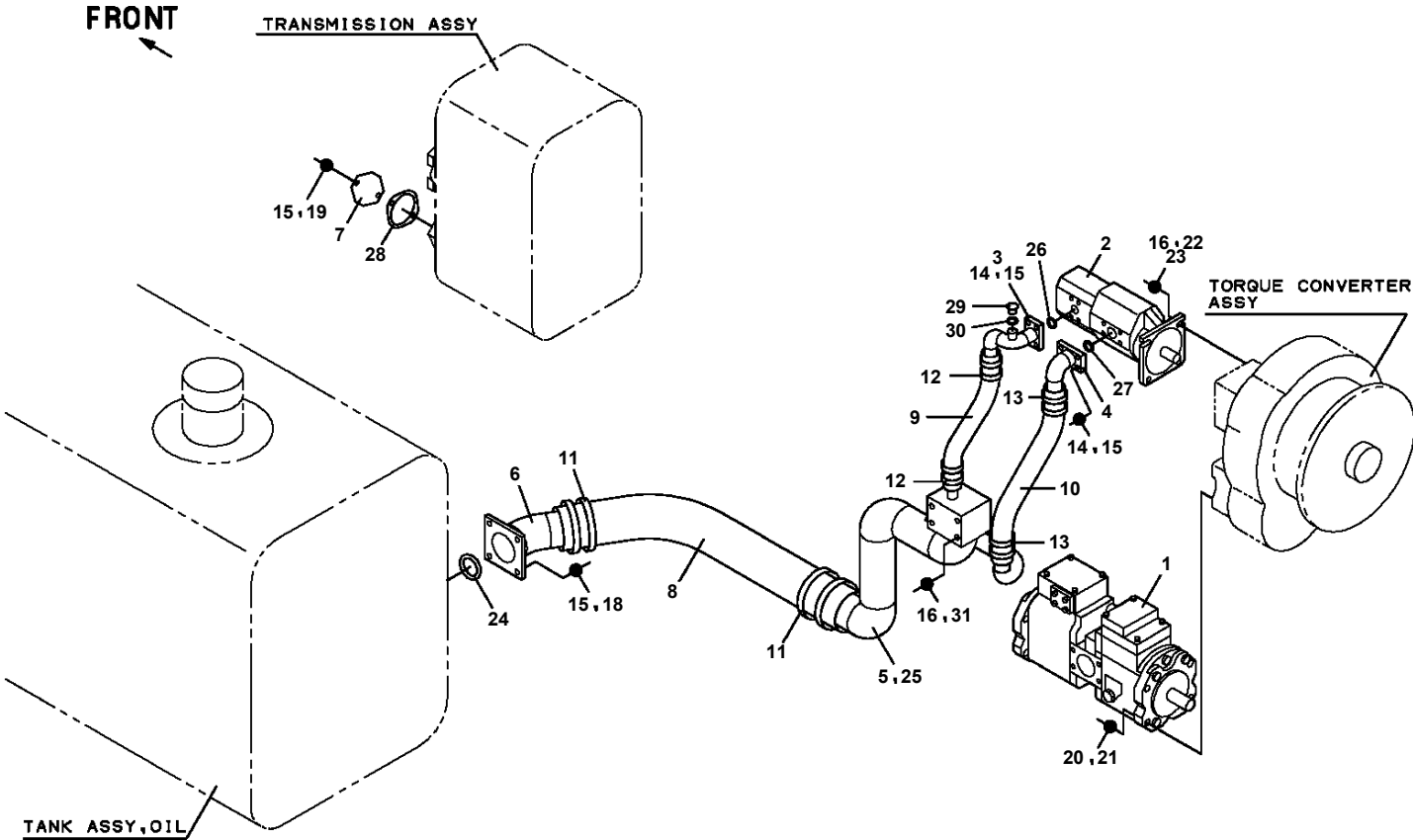
**GR-1000-4-00101 5 BOOM + 2 JIB, 2M2D**

Pos No.	Parts No	Parts Name	Qty	Unit	Technical Data	Serial No (Start)	Serial No (End)	Remarks	Pages
1	37000701510	CLAMP ASSY	6		12X2				
2	37002431560	HOSE	2		L=1000				
3	80320010080	FITTING	4		KUD12-030N				
4	80301010100	FITTING	4		KUA12-000N				
5	37000300740	SLEEVE	4		18-12				
6	37012406450	HOSE	2		L=920				
7	37000713120	CLAMP ASSY	1		18X4				
8	81408000160	PIPE,STEEL	2	M	12X1.4T				
9	81408000160	PIPE,STEEL	3	M	12X1.4T				
10	81408000160	PIPE,STEEL	2	M	12X1.4T				
11	81408000160	PIPE,STEEL	3	M	12X1.4T				
12	81408000160	PIPE,STEEL	2	M	12X1.4T				
13	81408000160	PIPE,STEEL	2	M	12X1.4T				
14	81408000160	PIPE,STEEL	1	M	12X1.4T				
15	81408000160	PIPE,STEEL	2	M	12X1.4T				

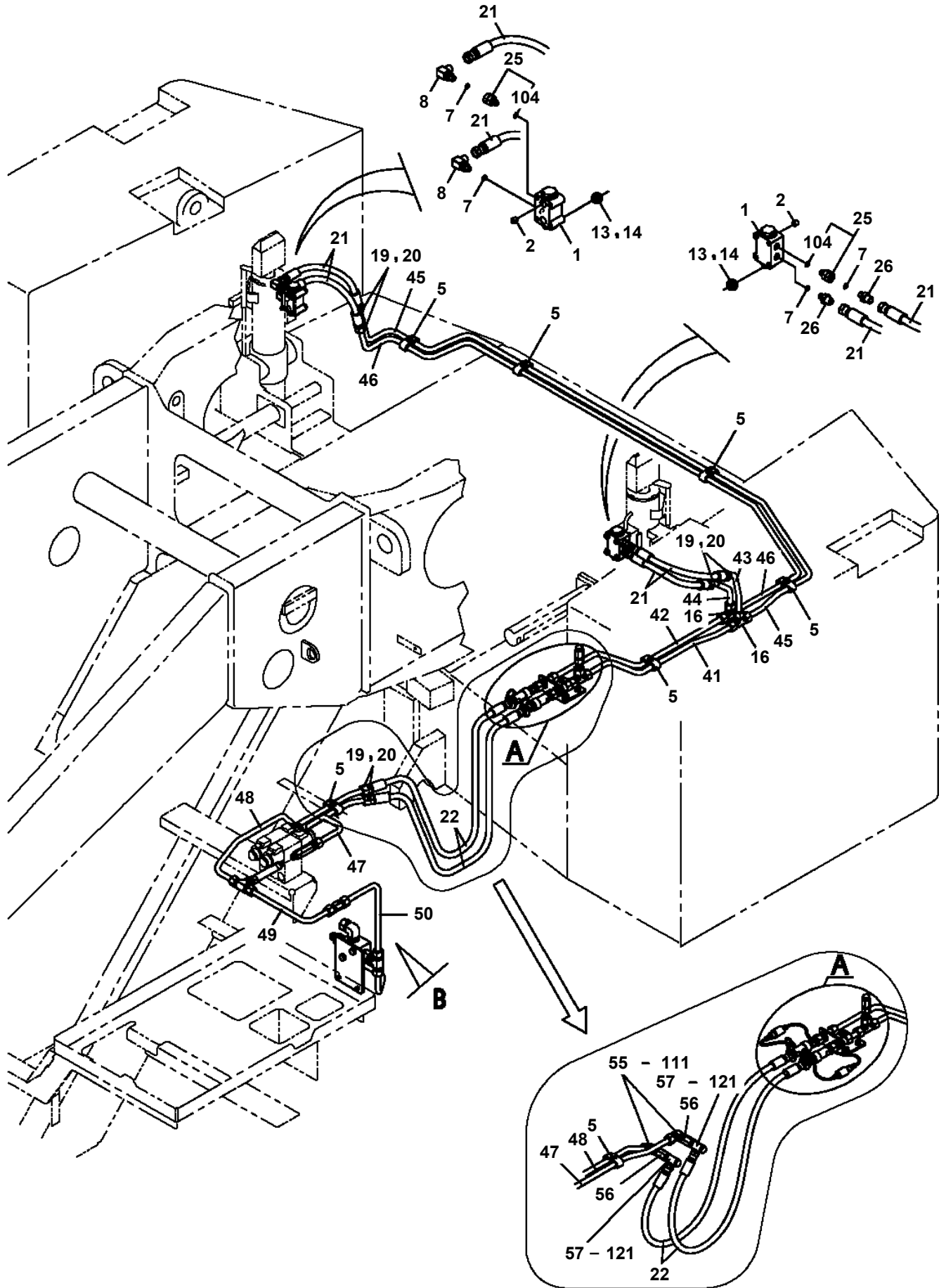
**GR-1000-4-00101 5 BOOM + 2 JIB, 2M2D**  
**PP6270129-00 PIPING ASSY, RETURN (LOWER,1)**



**GR-1000-4-00101 5 BOOM + 2 JIB, 2M2D  
PP6300035-00 PIPING ASSY,SUCTION**

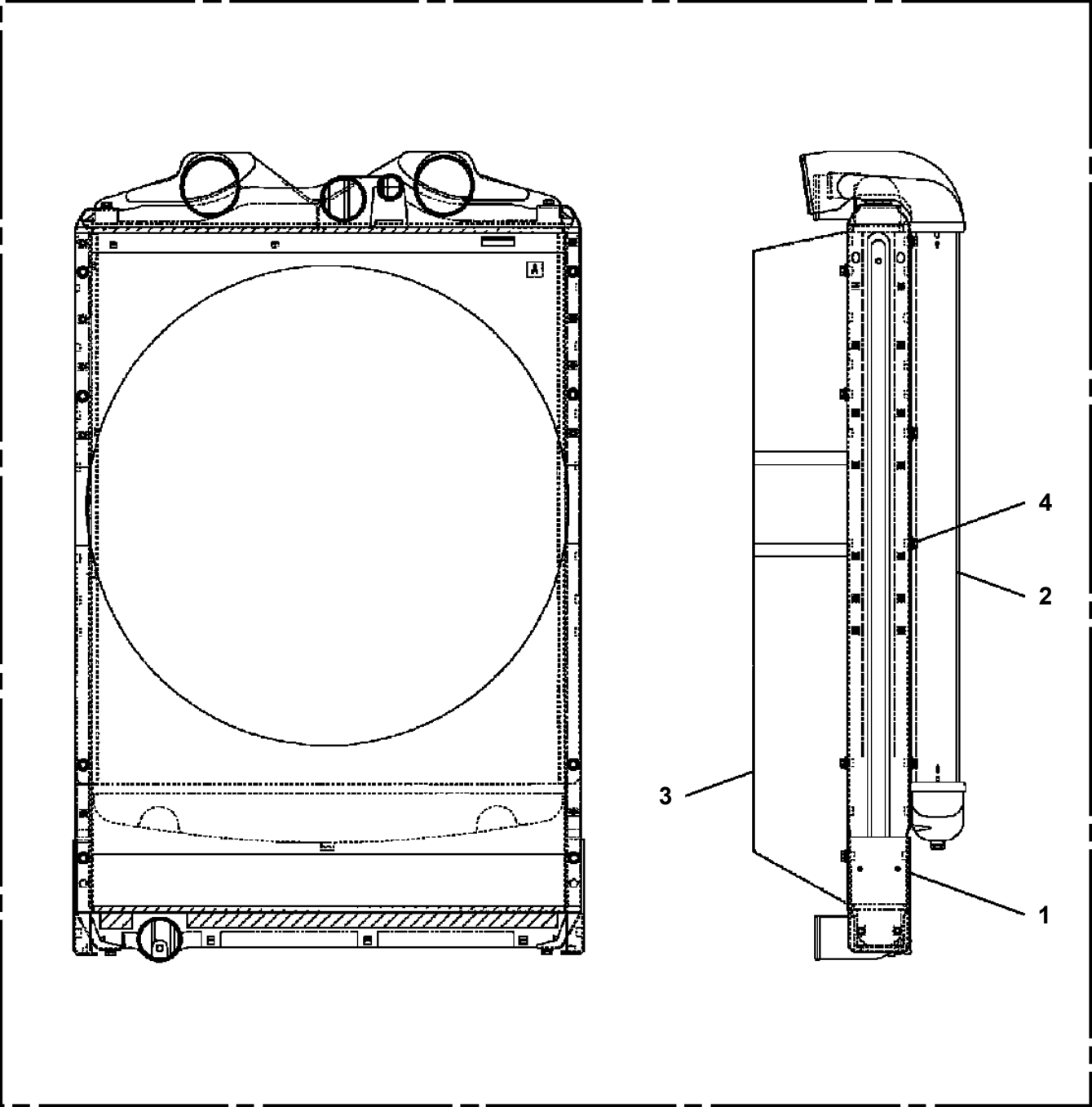


GR-1000-4-00101 5 BOOM + 2 JIB, 2M2D  
PP6380008-00 PIPING ASSY,WEIGHT REMOVE

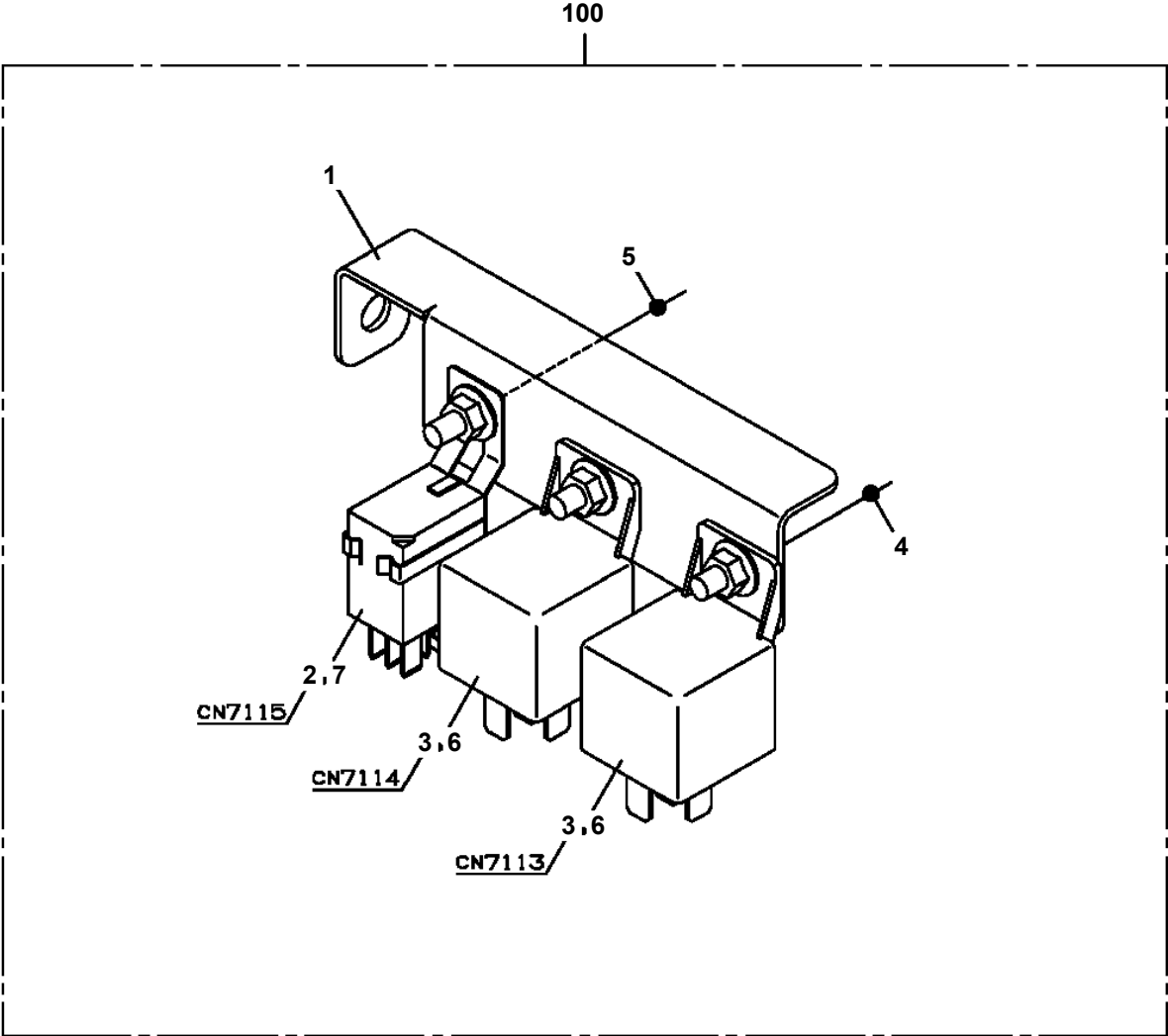


GR-1000-4-00101 5 BOOM + 2 JIB, 2M2D  
PR5020003-00 RADIATOR ASSY

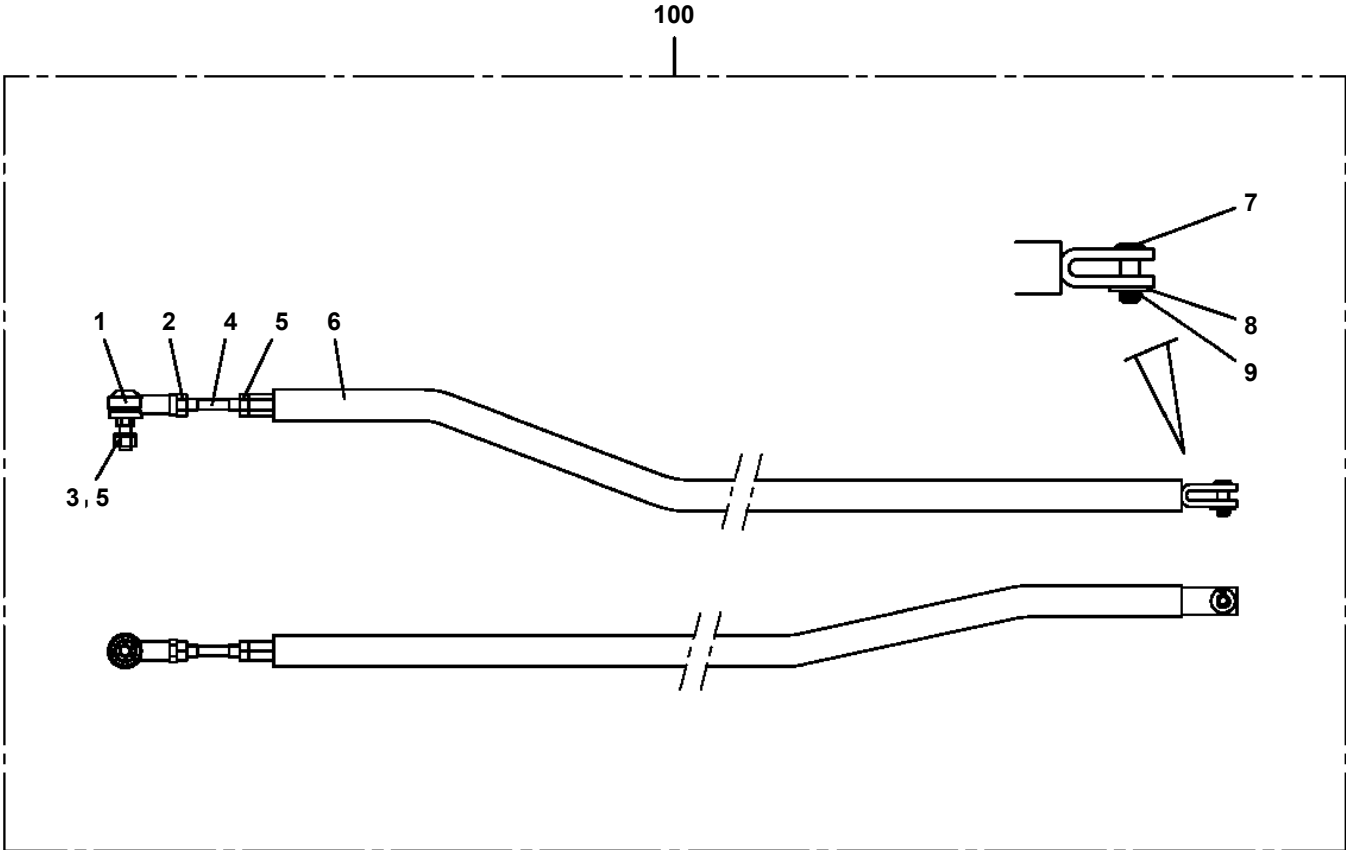
100



GR-1000-4-00101 5 BOOM + 2 JIB, 2M2D  
PR5090253-00 RELAY ASSY

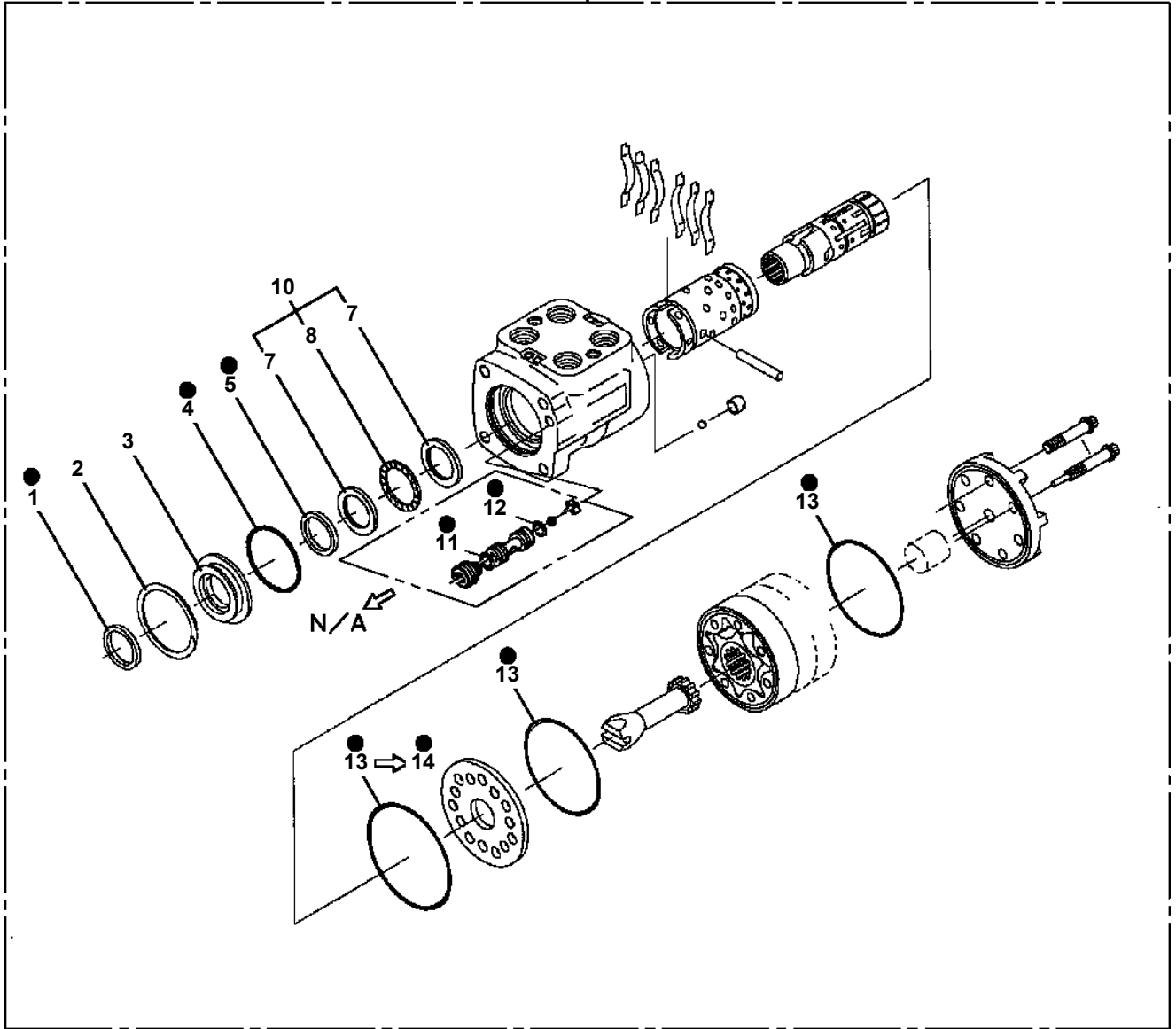


GR-1000-4-00101 5 BOOM + 2 JIB, 2M2D  
PR5140007-00 ROD ASSY



**GR-1000-4-00101 5 BOOM + 2 JIB, 2M2D  
PS1340002-02 ORBITROL**

20

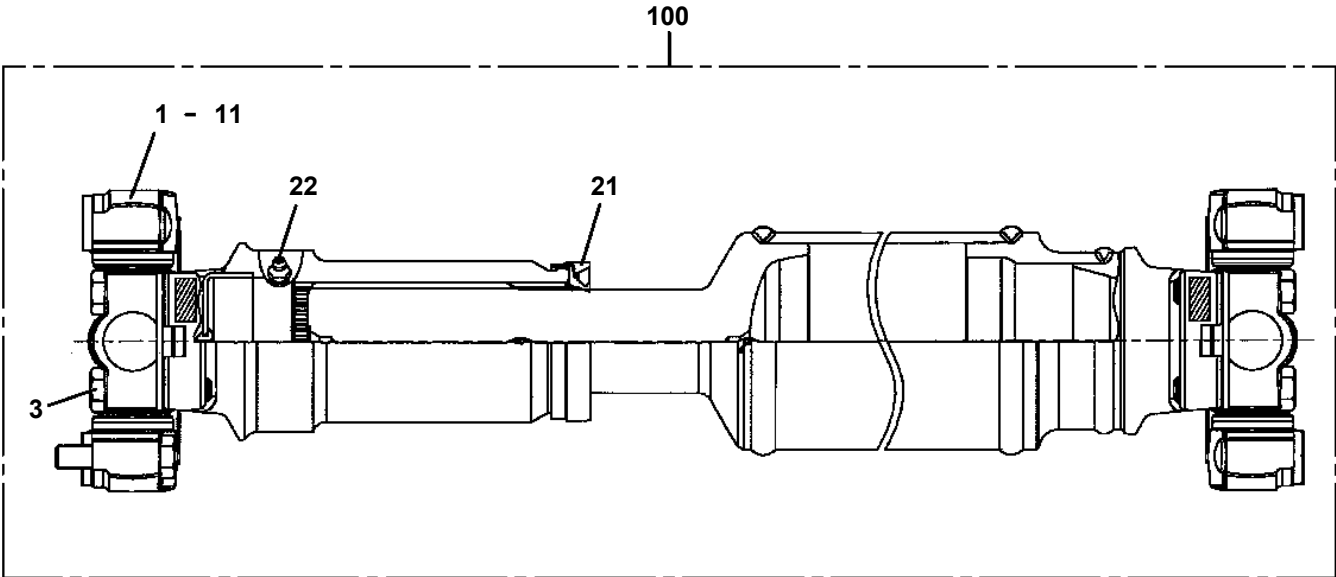


● :SEAL KIT KEY NO. 15 (KEY NO.1,4,5,11,12,13)

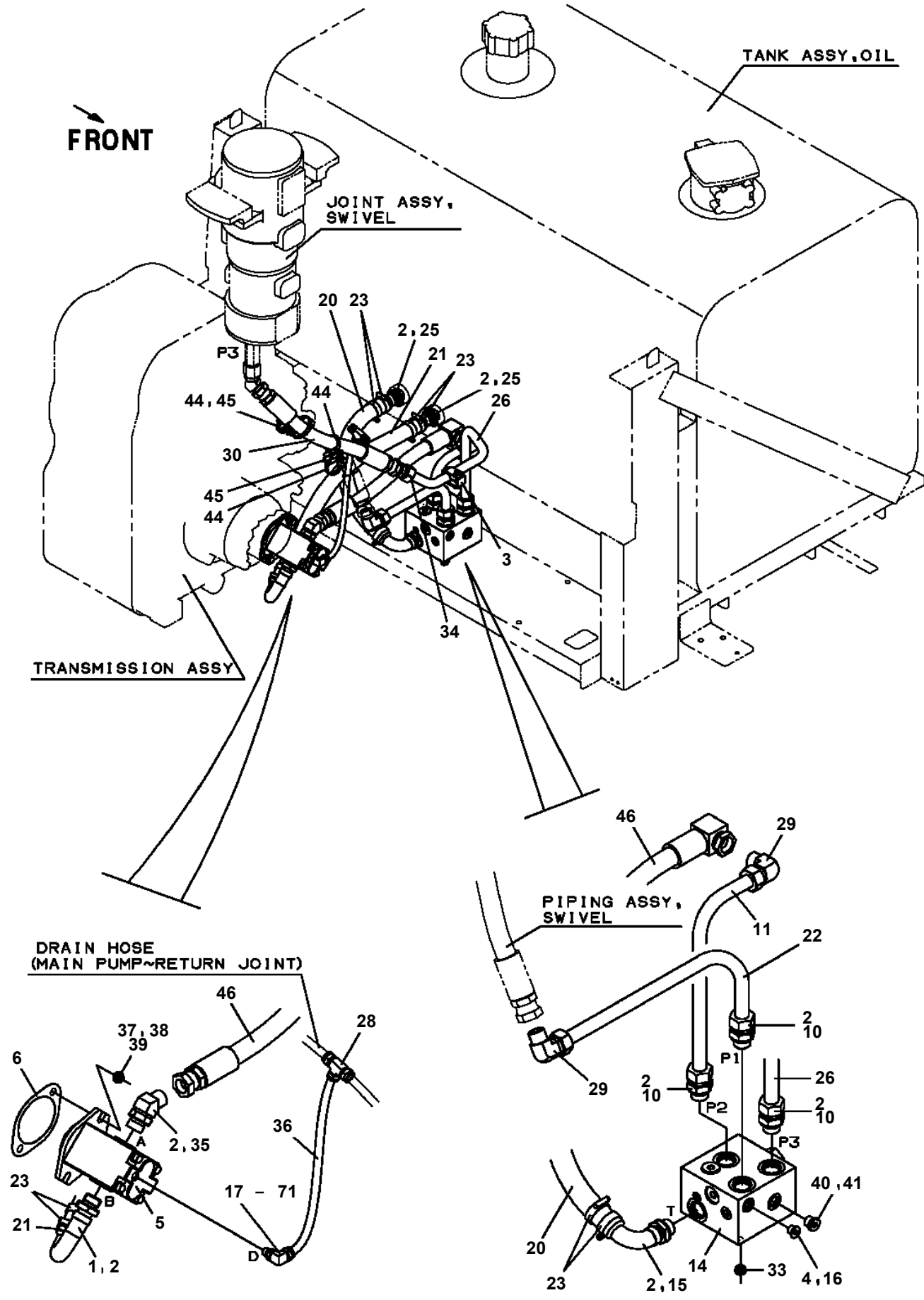


● :SEAL KIT KEY NO. 16 (KEY NO.1,4,5,13,14)

GR-1000-4-00101 5 BOOM + 2 JIB, 2M2D  
PS5170055-00 SHAFT ASSY,PROPELLER

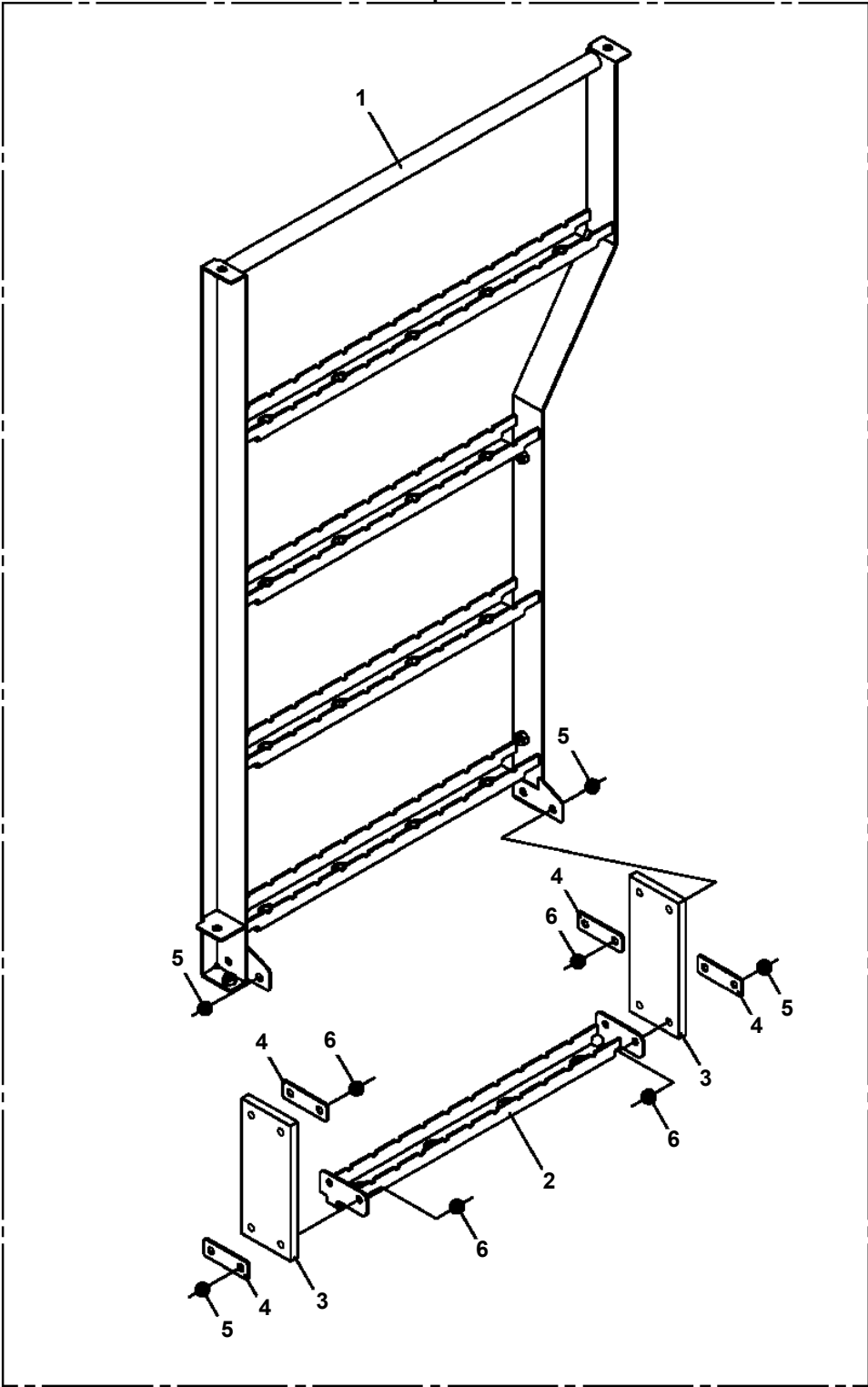


**GR-1000-4-00101 5 BOOM + 2 JIB, 2M2D**  
**PS5340059-00 STEERING ASSY (EMERGENCY:WITHOUT LOW PRESSURE ALARM)**

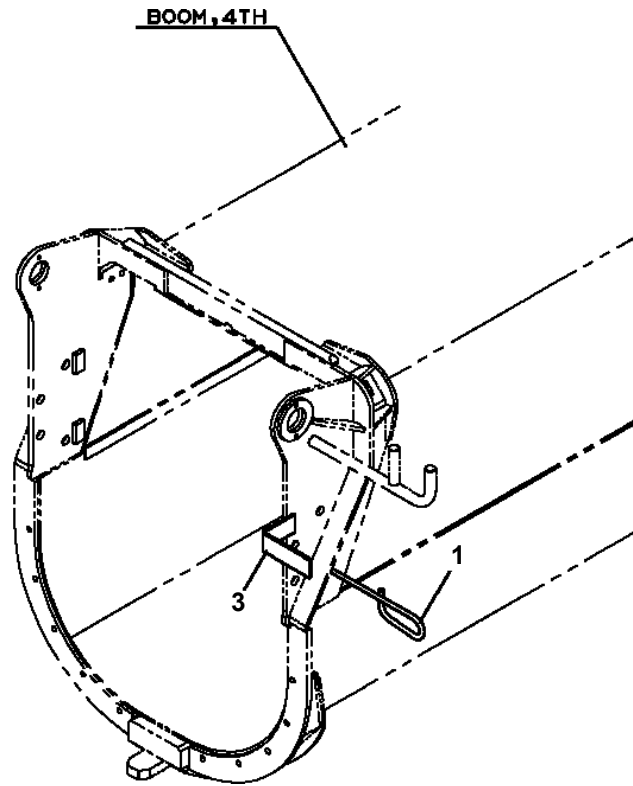


GR-1000-4-00101 5 BOOM + 2 JIB, 2M2D  
PS5360030-00 STEP ASSY

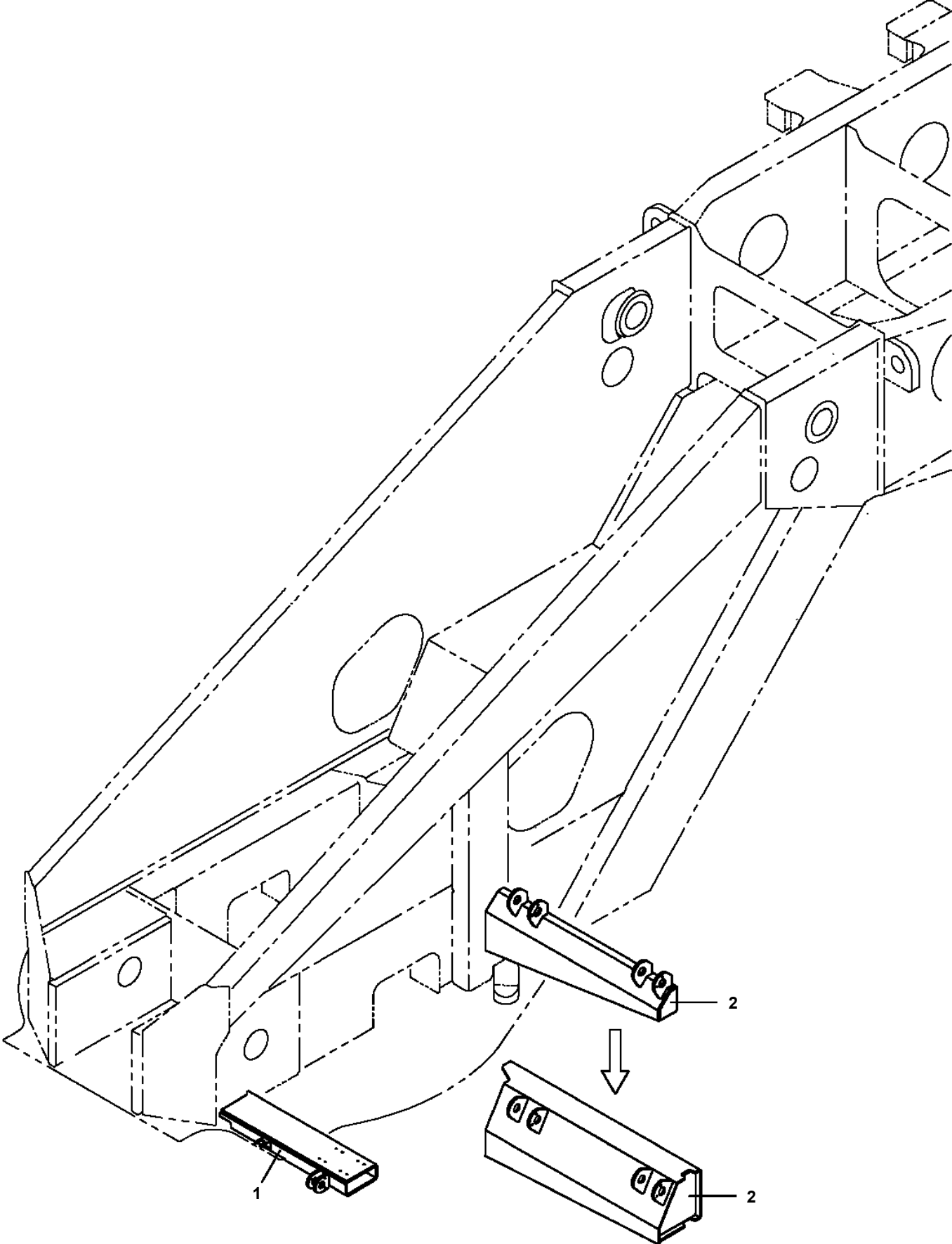
100



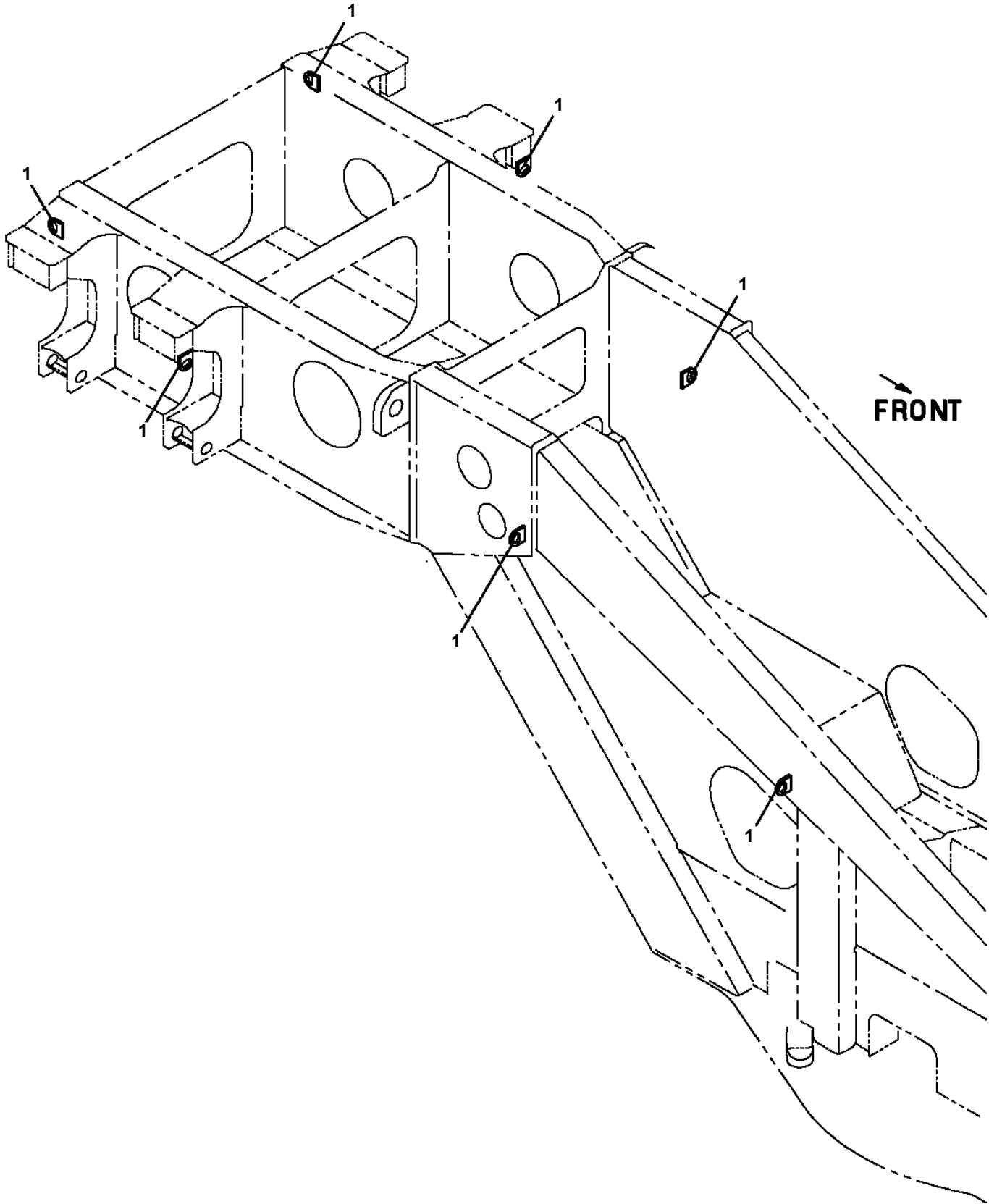
GR-1000-4-00101 5 BOOM + 2 JIB, 2M2D  
PS5420568-00 SUPPORT ASSY (BOOM,4TH)



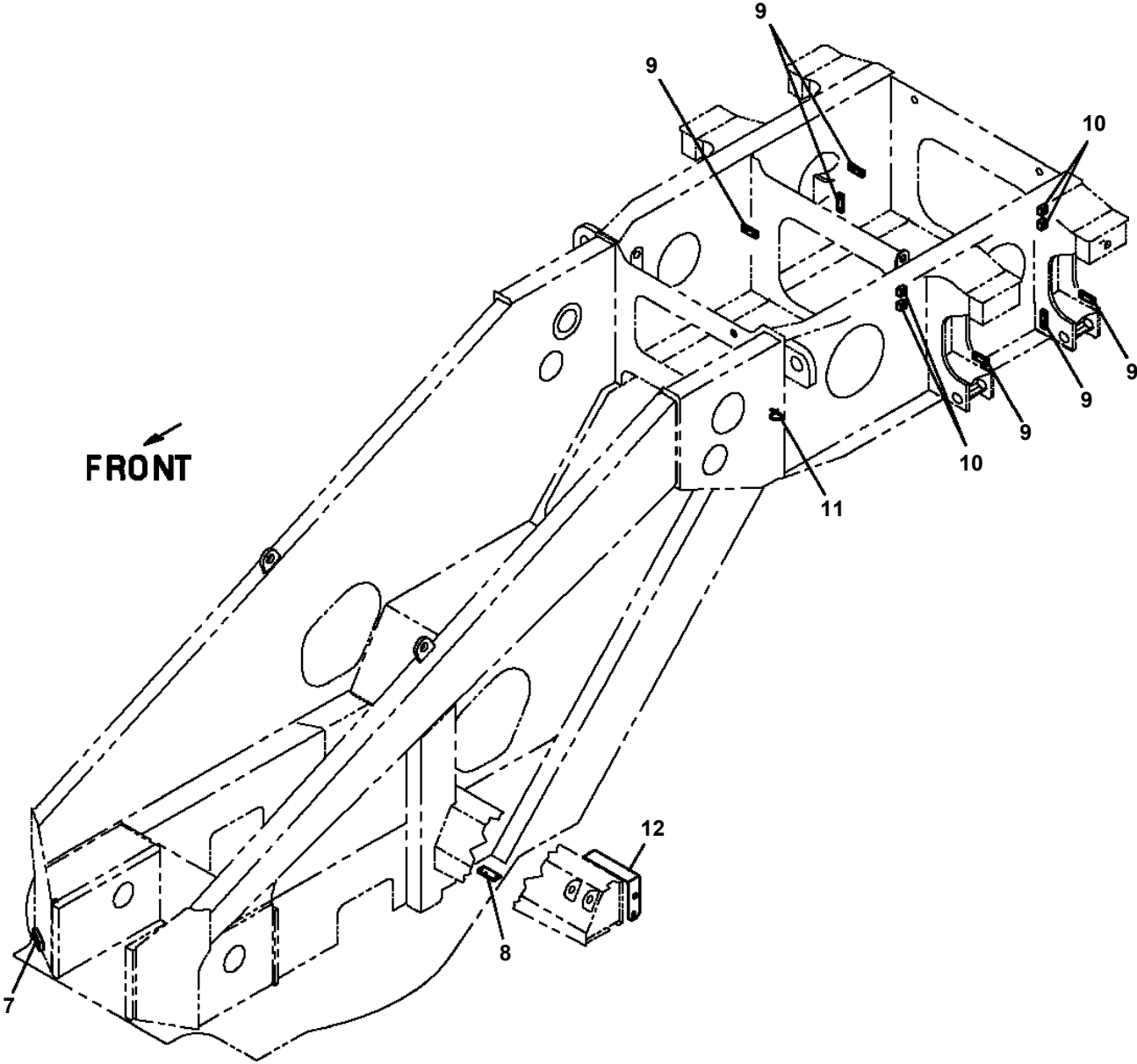
GR-1000-4-00101 5 BOOM + 2 JIB, 2M2D  
PS5420575-00 SUPPORT ASSY (CAB)



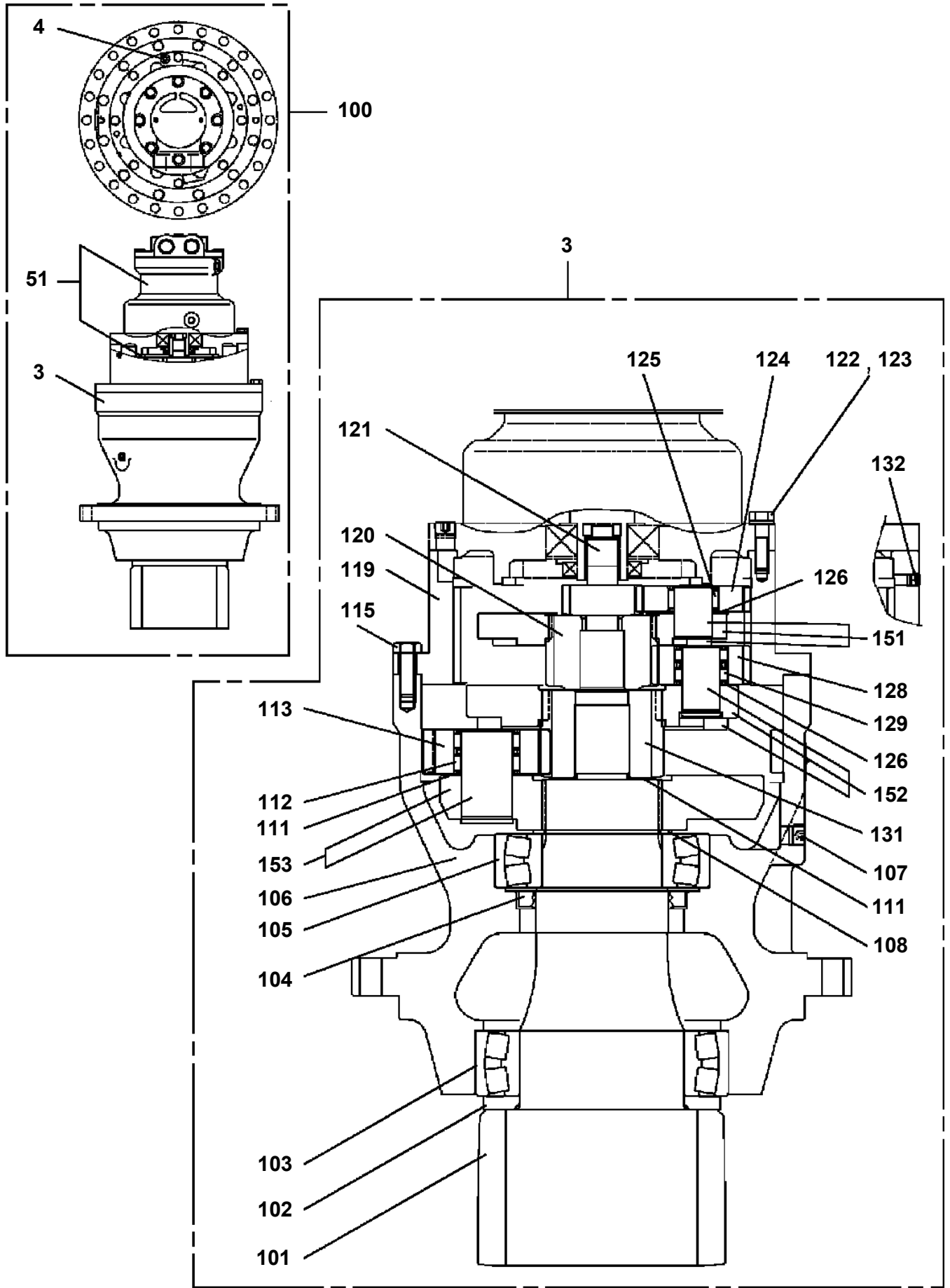
**GR-1000-4-00101 5 BOOM + 2 JIB, 2M2D**  
**PS5420581-00 SUPPORT ASSY (TIEOFF OF SWING FRAME)**



**GR-1000-4-00101 5 BOOM + 2 JIB, 2M2D**  
**PS5420590-00 SUPPORT ASSY (ELEC.)**



GR-1000-4-00101 5 BOOM + 2 JIB, 2M2D  
PS5500011-00 SWING ASSY



# GR-1000-4-00101 5 BOOM + 2 JIB, 2M2D

Pos No.	Parts No	Parts Name	Qty	Unit	Technical Data	Serial No (Start)	Serial
1	34353032200	BOX	1				
2	42433932100	SWITCH ASSY (WITH HARNESS,1 SW)	1				
3	82197518119	CAP (PLUS ONE MFG./BLACK)	1				
	82197518114	CAP (MATSUSHITA/BLACK)	1				
4	34354254210	PLATE,NAME	1				
24	82464110004	HINGE	1				
25	82400000370	CATCH	1				
26	80147310420	RIVET	4		3.2X6		
27	90303070301	WASHER,PLAIN	4		3		
28	80175304008	SCREW,MACHINE	4		M4X8		
30	90240200400	NUT,CAP	4		M4		
41	34353039510	COVER ASSY	1				
50	34354254200	SWITCH ASSY (COUNTERWEIGHT CONTROL)	1				

# GR-1000-4-00101 5 BOOM + 2 JIB, 2M2D

Pos No.	Parts No	Parts Name	Qty	Unit	Technical Data	Serial No (Start)	Serial No (End)	Remarks	Pages
1	82108501370	SWITCH	1						
2	82100002037	CLAMP	1		WE10				
3	82100002006	CLAMP	2		WR10				
4	90280200600	NUT,FLANGE	2		M6				
5	90186206014	BOLT,FLANGE	1		M6X14				
6	91810130240	FASTENER	3						

## GR-1000-4-00101 5 BOOM + 2 JIB, 2M2D

Pos No.	Parts No	Parts Name	Qty	Unit	Technical Data	Serial No (Start)	Serial No (End)	Remarks
1	34372351300	SUPPORT	1					
2	32370002110	GASKET	1					
3	32370002121	COVER	1					
4	80172303025	SCREW,MACHINE	2		M3X25			
5	90302040301	WASHER,SPRING	2		3			
6	82104102010	SWITCH,LIMIT	1					
7	32370002131	ROD	1					
8	14148373001	SPRING	1					
9	80601110180	RING,RITAINING	1		S18			
10	34371314400	SUPPORT	1					
11	90303070301	WASHER,PLAIN	2		3			
12	82116700607	CONNECTOR	1					
13	82100000013	TERMINAL	2					
14	82141921040	CABLE	1	M				
15	82122704160	CAP (PLUG)	1					
16	82100000592	TERMINAL (M40.3 TO 1.25)	2					
17	89633001000	HOSE,VINYL	1		7X8,L=1M			
18	14148375000	GROMMET	1					
19	90101208045	BOLT	2		M8X45			
20	90302040801	WASHER,SPRING	2		8			
21	82100001220	INSULATOR	2					
22	82400000201	GROMMET	1		KG-016			
30	32370009512	ROD ASSY	1					
42	32370002150	SPACER	1		L=12 TO 11			
43	80720103014	PIN,SPRING	1		3X14			
51	91001001405	O-RING	2		S-14			
100	34372862100	SWITCH	1					

# GR-1000-4-00101 5 BOOM + 2 JIB, 2M2D

Pos No.	Parts No	Parts Name	Qty	Unit	Technical Data	Serial No (Start)	Serial No (End)	Remarks	Page
5	36101800041	CAP	1						
6	36101945060	RING (SLIDE)	1						
7	36101945070	COVER (RING)	1						
8	34921317510	DIAPHRAGM	1						
9	34921317530	BRACKET	1						
100	36101940000	TANK,BRAKE FLUID	1						

# GR-1000-4-00101 5 BOOM + 2 JIB, 2M2D

Pos No.	Parts No	Parts Name	Qty	Unit	Technical Data	Serial No (Start)	Serial No (End)	Remarks	Page
59	36870365030	HEATER	1						
60	36870415010	THERMOSTAT	1						
70	36870365010	VALVE ASSY	1						
80	36870365021	CARTRIDGE	1						
90	36870365051	FILTER (REPAIR KIT)	1						
100	36870410000	DRIER,AIR	1						

## GR-1000-4-00101 5 BOOM + 2 JIB, 2M2D

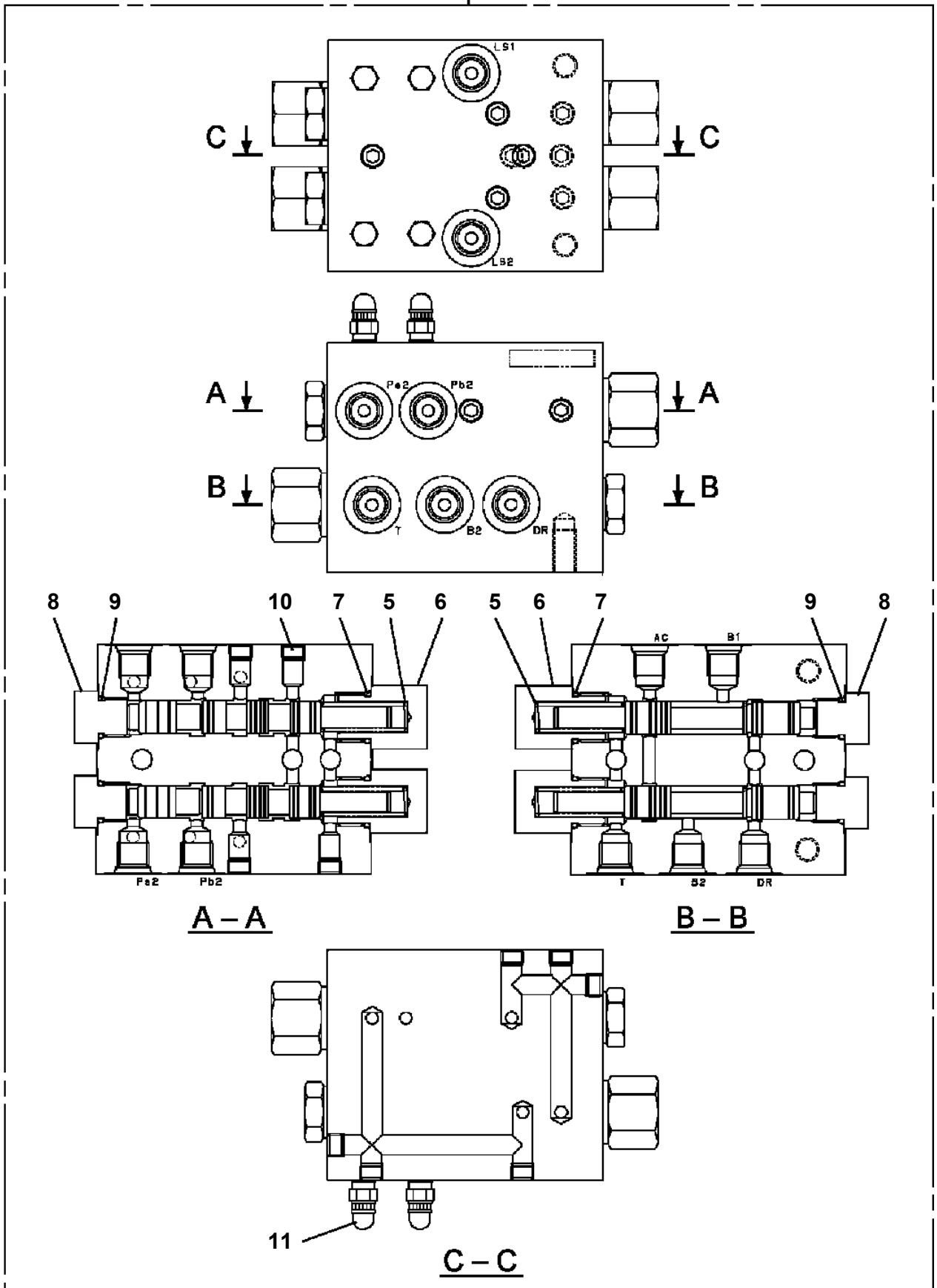
Pos No.	Parts No	Parts Name	Qty	Unit	Technical Data	Serial No (Start)	Serial No (End)	Rema
1	(*****)	TELESCOPE ASSY	1					
2	34202160460	SUPPORT (CAST)	1					
	34202164580	SUPPORT (PLATE WORKING)	1					
3	34202160410	SUPPORT (CAST)	1					
	34202164570	SUPPORT (PLATE WORKING)	1					
4	90171114045	BOLT	6		M14X45			
5	37002016330	PLATE,SLIDE	1					
6	80185306016	SCREW,MACHINE	4		M6X16			
7	37001923770	ROPE,WIRE (TESAC)	4		20X19.853M			
21	37001000270	SHEAVE ASSY	4					
22	37000505440	PLATE	6		T=1.6			
23	37010100180	PIN	1					
24	33201210850	SUPPORT	1					
25	90172110016	BOLT,HEXAGON SOCKET	4		M10X16			
26	37010100240	PIN	1					
27	80136340036	PIN,SPLIT	2		4X36			
41	80520045013	BEARING,ROLLER	4					

# GR-1000-4-00101 5 BOOM + 2 JIB, 2M2D

Pos No.	Parts No	Parts Name	Qty	Unit	Technical Data	Serial No (Start)	Serial No (End)	Rem
65	36350555250	GASKET	1					
66	36350695120	ROTOR	1					
67	80560054000	BALL,STEEL	1		5/32			
68	80601110300	RING,RITAINING	5		S30			
69	80500006006	BEARING,BALL	2					
70	80602110550	RING,RITAINING	1		R55			
71	36350685130	WASHER	1					
72	36350685100	SENSOR	1					
73	36350356120	BOLT	1		M6X12			
75	90302051001	WASHER,SPRING	81		10			
76	36350795100	STRAINER ASSY	1					
77	36350725330	GASKET	1					
79	36350705090	GAUGE,OIL	1					
80	36350555300	PIPE	1					
81	36350685180	PLUG	1					
82	36350265630	O-RING	2					
83	36370207500	PISTON	2					
84	36370305610	SPRING (PRESSURE)	1					
85	36370305620	SPRING (PRESSURE)	1					
86	36370207450	PISTON	1					
87	36370207440	SPRING	1					
88	36350365760	PISTON	1					
89	36350525290	SPRING	1					
90	36350525330	SPRING	1					
91	36350525300	SPRING	1					
92	36350525320	STOPPER	1					
93	36350695320	FILTER (COIN)	3					
94	36350695330	O-RING	2					
95	36370615030	BOLT,HEXAGON SOCKET	8					
96	36370625060	PLATE	1					
97	36350885100	GEAR	1					
98	36350885110	GEAR	1					
100	36350265620	SPRING	1					
101	36350705170	CHOKE	2					
102	36350265640	PLUG	1					
103	36350685220	CLIP	7					
104	36370615180	BREATHER	1					
108	36350645250	BRACKET	1					
109	36350795120	PLATE	3					
110	36350555340	SHROUD	1					
111	36350555350	JOINT	1					
112	91067202500	O-RING	1		4E G25			
113	36350555360	SENSOR,PRESSURE	2					
114	36350555370	O-RING	2					
115	36350705100	O-RING	1					
116	90171108020	BOLT	2		M8X20			
117	90171108070	BOLT	2		M8X70			
119	36350685190	BOLT	1					
120	90171110030	BOLT	26		M10X30			
121	90171110035	BOLT	20		M10X35			
122	90101510040	BOLT	25		M10X40			
123	90171110045	BOLT	3		M10X45			
124	90101510050	BOLT	4		M10X50			
125	90101510065	BOLT	1		M10X65			
126	36350885120	BOLT	7					
127	36350885130	BOLT	2					
128	36350535710	BOLT (WITH FLANGE)	6					
130	36350485670	BOLT,HEXAGON SOCKET	7		M10X35			
131	36350835140	BOLT,HEXAGON SOCKET	8					
132	36350885140	BOLT	4					
133	90201200800	NUT	2		M8			
135	36350456060	PLUG	20					
136	36350456070	PLUG	1					

GR-1000-4-00101 5 BOOM + 2 JIB, 2M2D  
PV5090001-00 VALVE ASSY, HYDRAULIC

100



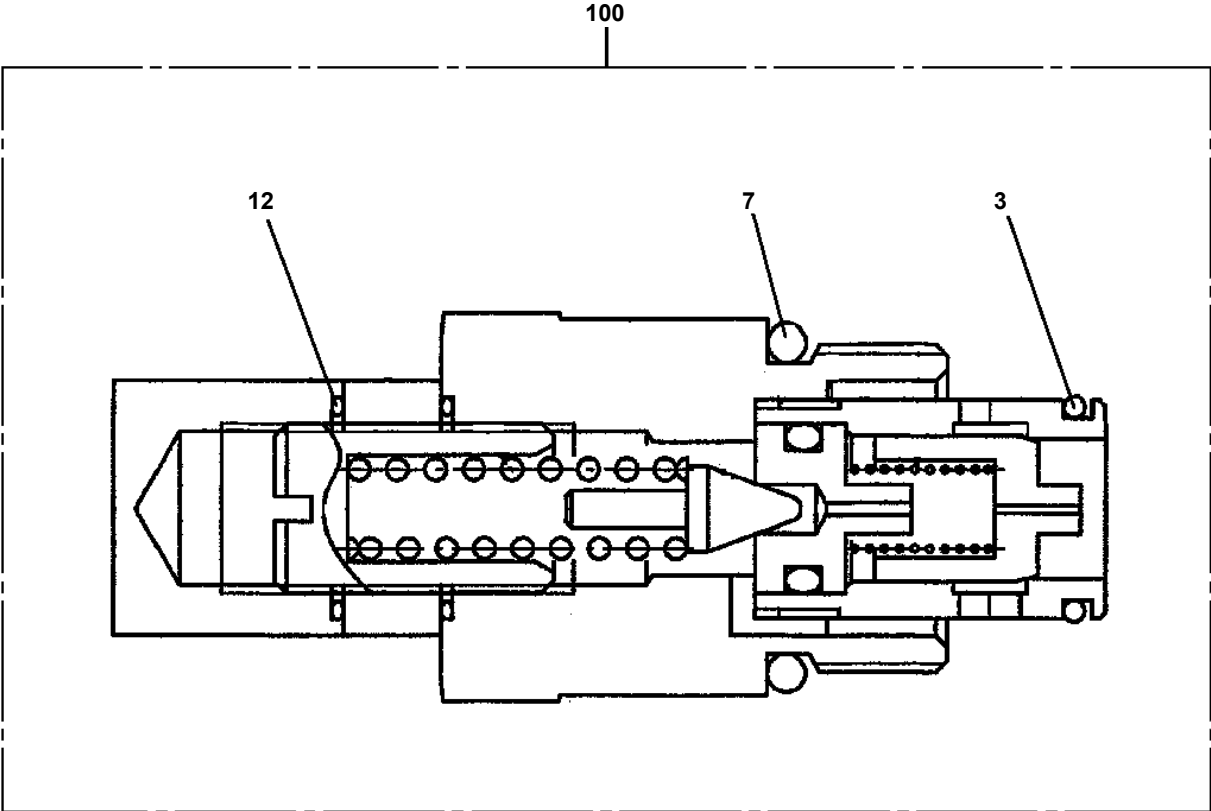
## GR-1000-4-00101 5 BOOM + 2 JIB, 2M2D

Pos No.	Parts No	Parts Name	Qty	Unit	Technical Data	Serial No (Start)	Serial No (End)	Remarks
1	36741535010	VALVE,CONTROL	1					
2	36741645020	VALVE,CONTROL	1					
3	91002909500	O-RING	1		1B G95			
4	91002801000	O-RING	1		1B P10			
5	36741545030	BOLT,HEXAGON SOCKET	4		M12X150			
6	36743310030	VALVE ASSY,RELIEF	1					
7	90131910045	BOLT,HEXAGON SOCKET	8		M10X45			
8	36743310040	VALVE,OVERLOAD RELIEF	1					
9	36743310050	VALVE,OVERLOAD RELIEF	1					
10	36742691090	VALVE,OVERLOAD RELIEF	1					
11	90151200100	BOLT,EYE	2		M10			
12	36634535210	PLUG	1		PF1/4			
13	91002801100	O-RING	1		1B P11			
14	36633335050	PLUG ASSY	2					
15	36636615210	PLUG	2		NPT3/8			
16	91002801400	O-RING	2		1B P14			
17	36640845040	VALVE,UNLOAD	1					
18	36743310060	VALVE,OVERLOAD RELIEF	1					
105	91000512800	O-RING	8					
106	36648985130	RETAINER (SPRING)	2					
107	36646035120	SPRING (W2)	2					
108	36646035130	SPRING (W1)	2					
109	36646675040	RETAINER (SPRING)	4					
110	36648985090	END,SPOOL	2					
111	36646655070	COVER (PILOT)	2					
112	36646655080	COVER (PILOT)	2					
113	36630285200	CHOKE	3					
114	36631055180	SPRING	3					
115	36632585150	PLUG	7					
116	91002903000	O-RING	10		1B G30			
117	36646035150	RETAINER (SPRING)	3					
118	36631055300	VALVE,CHECK	3					
119	36631055310	SPRING	3					
120	36631055320	PLUG (CHECK VALVE)	4					
121	16095101070	O-RING	6					
122	90131508040	BOLT,HEXAGON SOCKET	16		M8X40			
123	90303100801	WASHER,PLAIN	16		8			
124	90302040801	WASHER,SPRING	16		8			
125	36636615210	PLUG	3		NPT3/8			
126	91002801400	O-RING	3		1B P14			
127	36647205050	PLUG	16		NPT1-16			
128	36634535210	PLUG	2		PF1/4			
129	91002801100	O-RING	2		1B P11			
204	36646675030	RETAINER (SPRING)	2					
205	36646035160	SPRING (B1)	2					
206	36646035170	SPRING (B2)	2					
208	36646675050	END,SPOOL	2					
209	90720008120	SCREW,SET	4		M8X12			
210	36648985110	BALL,STEEL	4		1/4			
211	36646655150	COVER (PILOT)	1					
213	36646655140	COVER (PILOT)	2					
218	36741645060	CHOKE	2					
219	36646035180	SPRING	2					
227	36648985120	BALL,STEEL	1		5/16			
228	91002800800	O-RING	1		1B P8			
229	36636615280	PLUG	1					
231	36646655130	COVER (PILOT)	1					
303	36640845110	SPRING	1					
304	91002802800	O-RING	1		1B P28			
305	91411002800	RING,BACKUP	1		P28			
306	91002802201	O-RING	1		1B P22A			
307	13215111010	PACKING	1					
403	91000501500	O-RING	2		AS568-015			

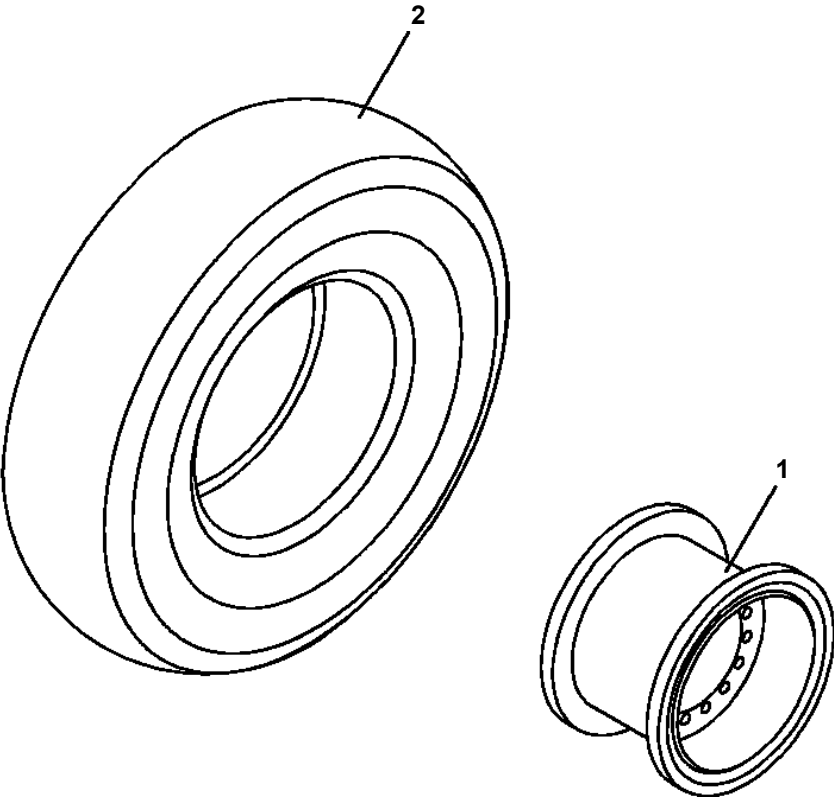
## GR-1000-4-00101 5 BOOM + 2 JIB, 2M2D

Pos No.	Parts No	Parts Name	Qty	Unit	Technical Data	Serial No (Start)	Serial No (End)	Remarks
1	36743300030	VALVE,CONTROL	1					
10	36743300040	PLATE ASSY	1					
11	36649855040	COVER ASSY (PT)	1					
21	90131508035	BOLT,HEXAGON SOCKET	4		M8X35			
24	36649855230	BOLT,HEXAGON SOCKET	4		M12X125			
25	90302041201	WASHER,SPRING	4		12			
35	36649855190	BLOCK,VALVE	1					
100	36632465230	PLUG	1		PF1/4			
101	36653245050	PLUG ASSY	1					
201	36660595010	PLUG	1					
202	91002801800	O-RING	1		1B P18			
204	91002800700	O-RING	2		1B P7			
206	36632685320	O-RING	2					
207	36642275020	O-RING	1					
310	36632465100	VALVE,RELIEF	1					
323	36651835130	PLUG	1		3/8			
325	91002801400	O-RING	1		1B P14			
329	36647095030	VALVE,RELIEF	1					
330	36649855120	SHIM	1					
331	19045102290	FOIL	3					
332	36600065080	CAP	2					
353	36649595010	RETAINER (SPRING)	1					
355	36649215080	RETAINER (SPRING)	1					
356	36649855150	SPRING	1					
357	36649855250	SPRING	1					
358	36649855170	PLUG	1					
359	36651715300	FILTER	1					
361	36640015030	PLUG	1		1/4			
362	36651835390	PLUG	3					
363	91002801100	O-RING	1		1B P11			
364	91002802000	O-RING	1		1B P20			
365	36649855260	SHIM	2					
450	36632465540	BODY ASSY	1					
460	91000511900	O-RING	2		AS568-119			
461	91000511400	O-RING	1		AS568-114			
463	36632465400	RING,BACKUP	2					
464	36632465410	O-RING	1					
465	36632465420	RING,BACKUP	1					
500	36743300000	VALVE ASSY,SOLENOID	1					

**GR-1000-4-00101 5 BOOM + 2 JIB, 2M2D**  
**PV5480026-00 VALVE,OVERLOAD RELIEF**



**GR-1000-4-00101 5 BOOM + 2 JIB, 2M2D**  
**PW5030017-00 WHEEL ASSY (TOPY + YOKOHAMA)**



## GR-1000-4-00101 5 BOOM + 2 JIB, 2M2D

Pos No.	Parts No	Parts Name	Qty	Unit	Technical Data	Serial No (Start)	Serial No (End)	Remarks
1	36074190000	WINCH ASSY	2					
2	18023003000	WEDGE	2					
3	34312390100	SUPPORT	2					
4	90303501805	WASHER,PLAIN	32		18			
5	90171118055	BOLT	32		M18X55			
6	91000526600	O-RING	2		AS568-266			
7	36663940000	MOTOR ASSY,OIL (WINCH)	2					
8	90171120060	BOLT	8		M20X60			
9	90303502001	WASHER,PLAIN	20		20			
10	90171120050	BOLT	12		M20X50			
11	82401800100	PLUG (FOR M10)	2					
12	31340530200	JOINT	2					
13	37001108170	ROLLER ASSY	1		D=70,L=700			
14	37000163690	PIN	1					
15	37001112780	ROLLER ASSY	1					
16	37000174600	PIN	1					
17	37000301410	SPACER	4		L=3			
18	37000509960	PLATE	2					
19	90171110020	BOLT	8		M10X20			
20	90302041001	WASHER,SPRING	24		10			
21	34312230100	SUPPORT	2					
23	34312511000	ROLLER ASSY	2					
24	90101210022	BOLT	16		M10X22			
25	90303071001	WASHER,PLAIN	16		10			
26	34444850300	SUPPORT	1					
27	34446570100	SUPPORT	1					
28	34312510100	SUPPORT	1					
29	34312510200	SUPPORT	1					
30	90186210014	BOLT,FLANGE	8		M10X14			
52	80513006206	BEARING,BALL	2					
62	80516006206	BEARING,BALL	2					

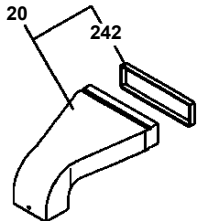
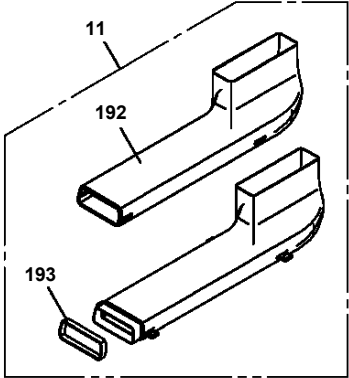
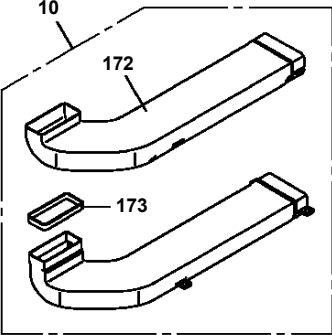
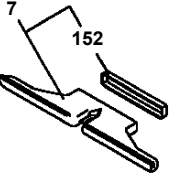
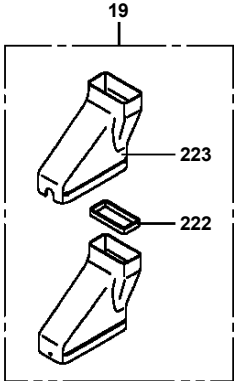
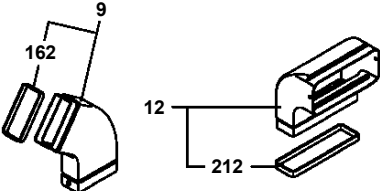
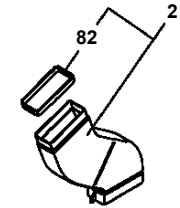
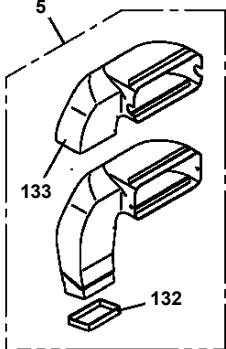
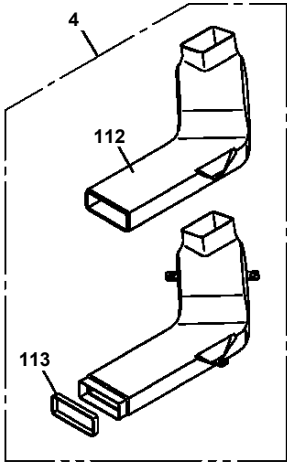
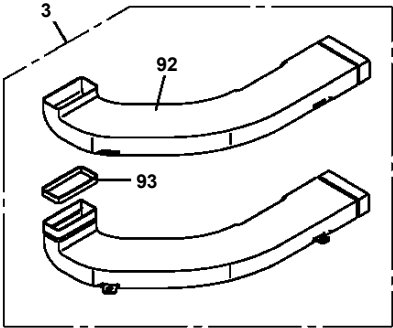
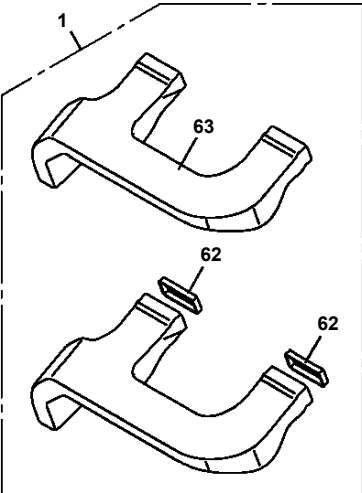
# GR-1000-4-00101 5 BOOM + 2 JIB, 2M2D

Pos No.	Parts No	Parts Name	Qty	Unit	Technical Data	Serial No (Start)	Serial No (End)
1	83152512200	SHACKLE (SB22)	2				
2	80136350036	PIN,SPLIT	2		5X36		
3	37001901160	ROPE,WIRE (MAIN HOOK STOWING)	1				

# GR-1000-4-00101 5 BOOM + 2 JIB, 2M2D

Pos No.	Parts No	Parts Name	Qty	Unit	Technical Data	Serial No (Start)	Serial No (End)	Remarks	Pages
1	90186208010	BOLT,FLANGE	15		M8X10				
2	90186210010	BOLT,FLANGE	6		M10X10				

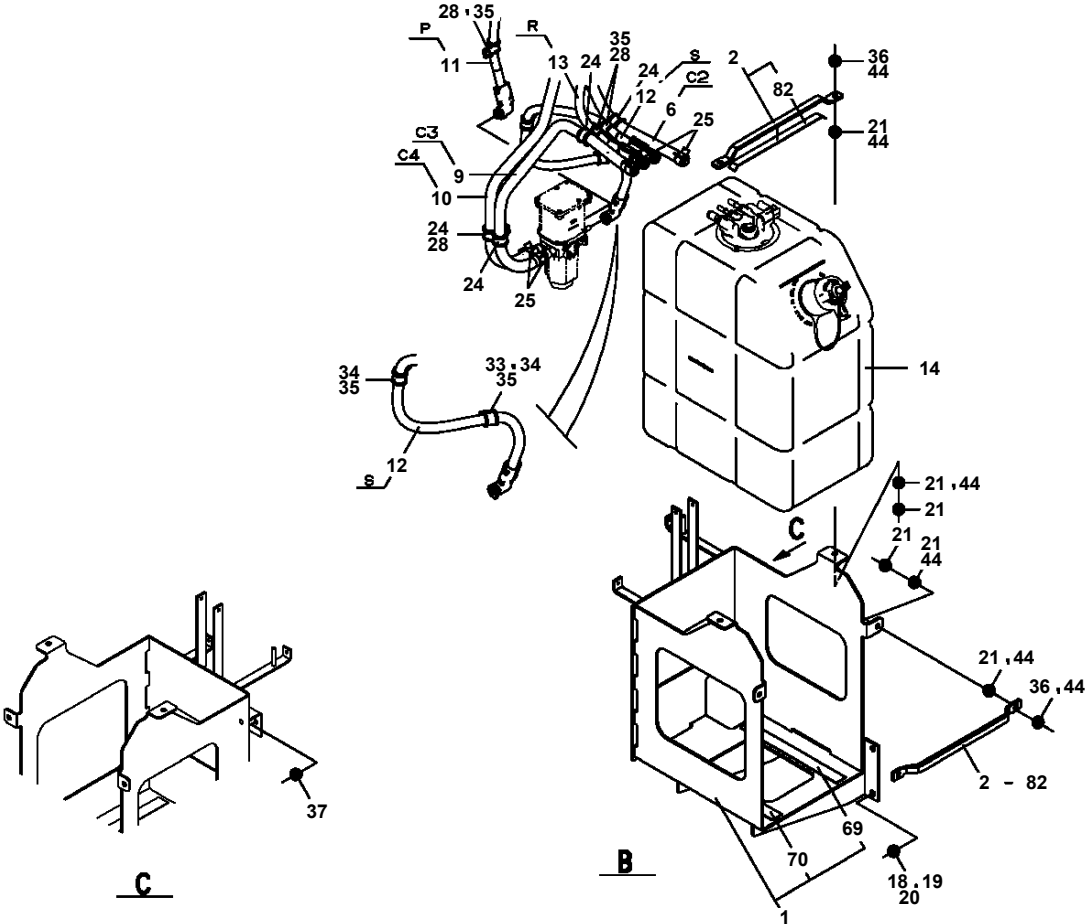
**GR-1000-4-00101 5 BOOM + 2 JIB, 2M2D**  
**PX5320017-00 MOUNT ASSY,EVAPORATOR**



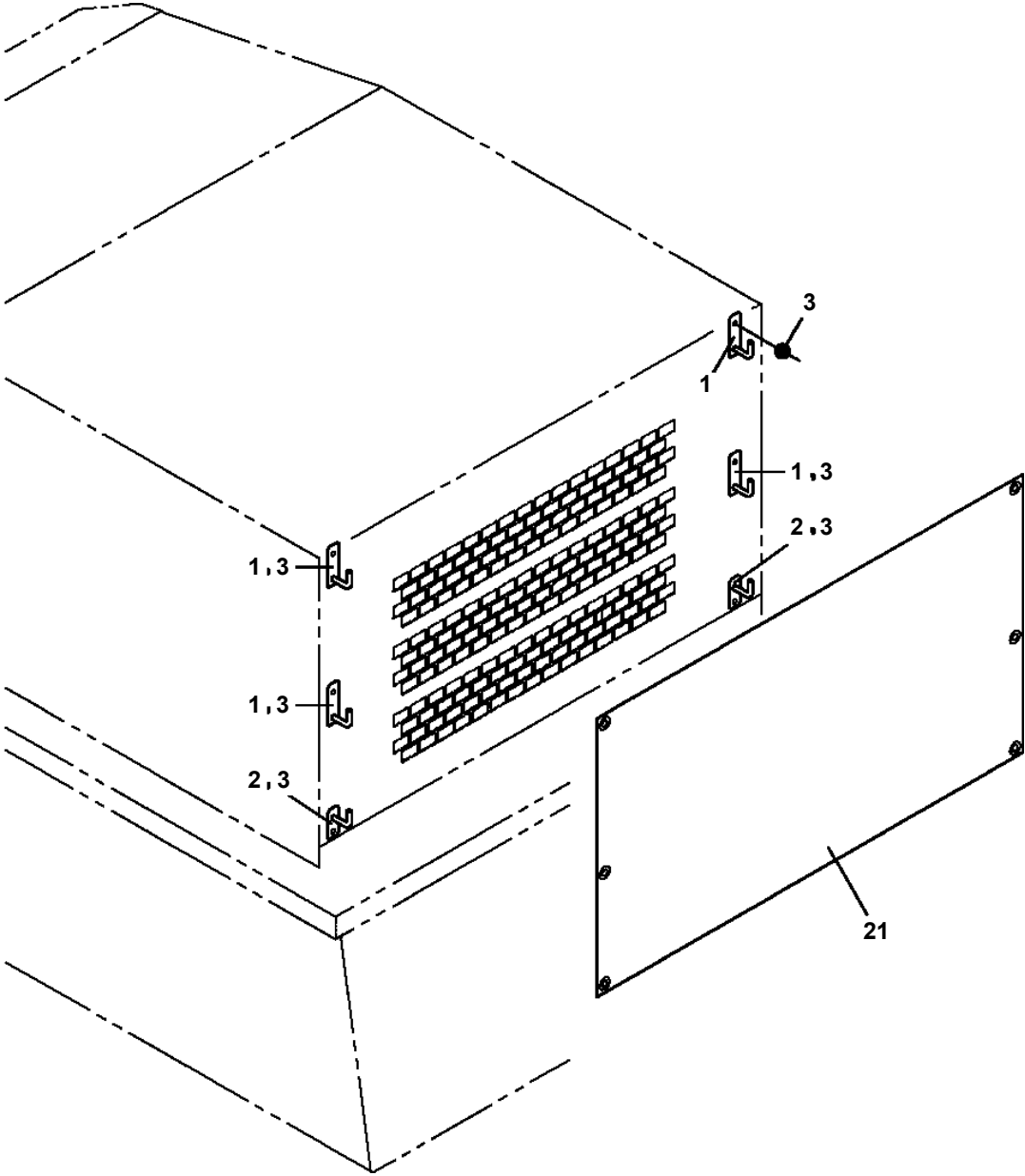
**GR-1000-4-00101 5 BOOM + 2 JIB, 2M2D**

Pos No.	Parts No	Parts Name	Qty	Unit	Technical Data	Serial No (Start)	Serial No (End)	Remarks	Pages
1	34782790100	SUPPORT	1						
2	90186210014	BOLT,FLANGE	2		M10X14				
3	90186208014	BOLT,FLANGE	2		M8X14				
4	82100002045	CLAMP	1		WE28				
5	34782860100	SUPPORT	1						
6	90186206014	BOLT,FLANGE	2		M6X14				
7	91810130270	FASTENER	5						
8	90101208025	BOLT	4		M8X25				
9	90302040801	WASHER,SPRING	4		8				
10	90303070801	WASHER,PLAIN	4		8				
12	90280200800	NUT,FLANGE	2		M8				
13	82100002018	CLAMP	4		WR35				
14	91803930380	CLIP	1						
15	82100002535	TUBE,SPIRAL	N		SE-29BK				
16	90186208010	BOLT,FLANGE	1		M8X10				
17	37002521140	HOSE	1		L=1790				

**GR-1000-4-00101 5 BOOM + 2 JIB, 2M2D**  
**PX5750036-01 MOUNT ASSY,TANK (DEF/ADBLUE)**



**GR-1000-4-00101 5 BOOM + 2 JIB, 2M2D**  
**PY5020086-00 ACCESSORIES ASSY (REAR SIDE OF RADIATORCOVER)**



**GR-1000-4-00101 5 BOOM + 2 JIB, 2M2D  
PY5140093-00 AIR CONDITIONER ASSY (LIST/CAB ASSY PART)**

エアコンASSY (フソ<sup>ク</sup>ヒンリスト/キャブ<sup>ア</sup>SSYトリツケ<sup>フ</sup>ン)  
AIR CONDITIONER ASSY (LIST/CAB ASSY PART)

100

符号	日本語名称	英語名称	備考
1	コンデ <sup>ン</sup> サASSY	CONDENSER ASSY	コンディショニングユニット組立
2	コンプ <sup>レ</sup> ッサASSY	COMPRESSOR ASSY	コンプレッシングユニット組立
3	ホース	HOSE	Dホース組立
4	プーリ	PULLEY	オイルモータープーリ
5	ワッシャ	WASHER	オイルモータ軸止めカラー
6	クッション	CUSHION	防振ゴムEA
8	ホース	HOSE	Lホース
31	Oリング <sup>ク</sup>	O-RING	
9	ホース	HOSE	Sホース
41	Oリング <sup>ク</sup>	O-RING	
10	ハーネス	HARNESS	ハーネス目組立て
11	クッション	CUSHION	ホースクッションゴム
12	プレート	PLATE	フランジプレート
13	ベルト	BELT	VベルトA-41
14	サポ <sup>ー</sup> ト (レシーバ <sup>ド</sup> ライヤ)	SUPPORT (RECEIVER DRYER)	レシーバ固定サポート
15	レシーバ <sup>ク</sup>	RECEIVER	レシーバ
16	ホース	HOSE	Dホース

適用製造番号によっては取り付けがないものもあります。

MACHINES OF SOME SERIAL NO. ARE NOT EQUIPPED WITH THESE PARTS.

CLICK HERE TO **DOWNLOAD** THE COMPLETE MANUAL

- Thank you very much for reading the preview of the manual.
- You can download the complete manual from: [www.heydownloads.com](http://www.heydownloads.com) by clicking the link below



- Please note: If there is no response to CLICKING the link, please download this PDF first and then click on it.

CLICK HERE TO **DOWNLOAD** THE COMPLETE MANUAL