

**DT-600-2-40100 LOWER,ISUZU P-NKR57E2KN**  
**PX1000625-01 MOUNTING PARTS**  
**ASSEMBLY**

CLICK HERE TO **DOWNLOAD** THE COMPLETE MANUAL

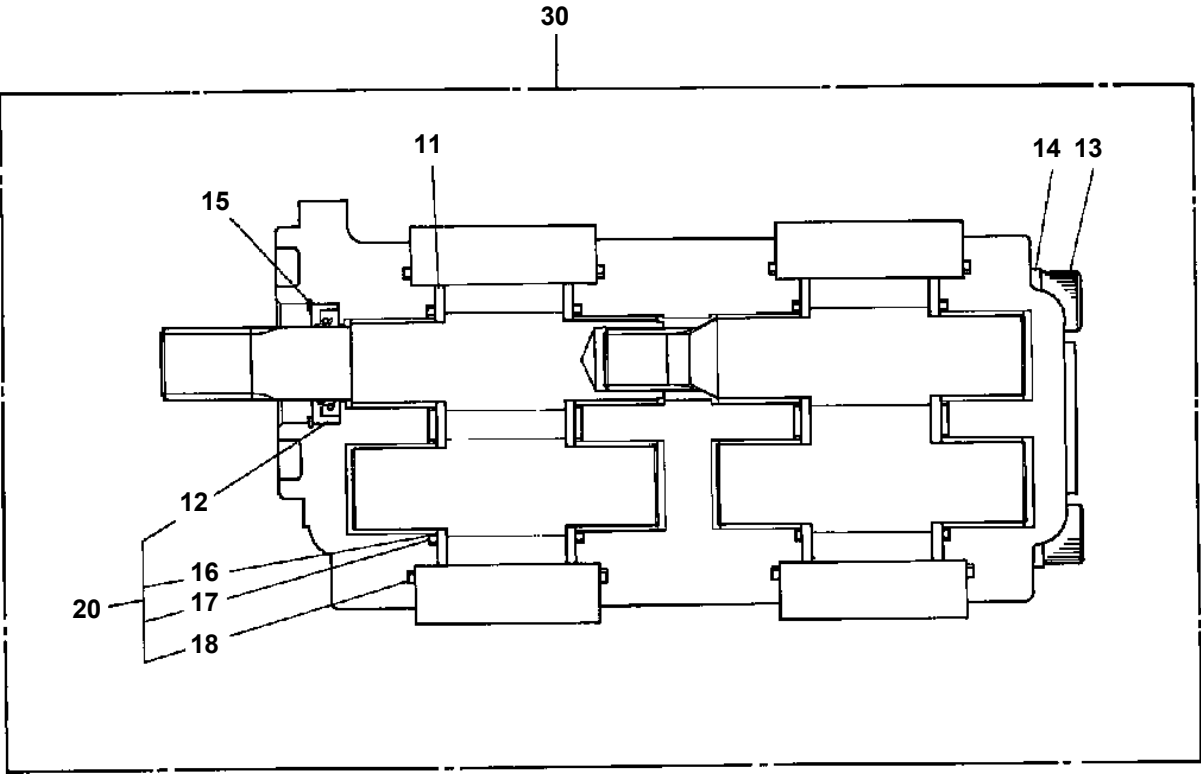
- Thank you very much for reading the preview of the manual.
- You can download the complete manual from: [www.heydownloads.com](http://www.heydownloads.com) by clicking the link below



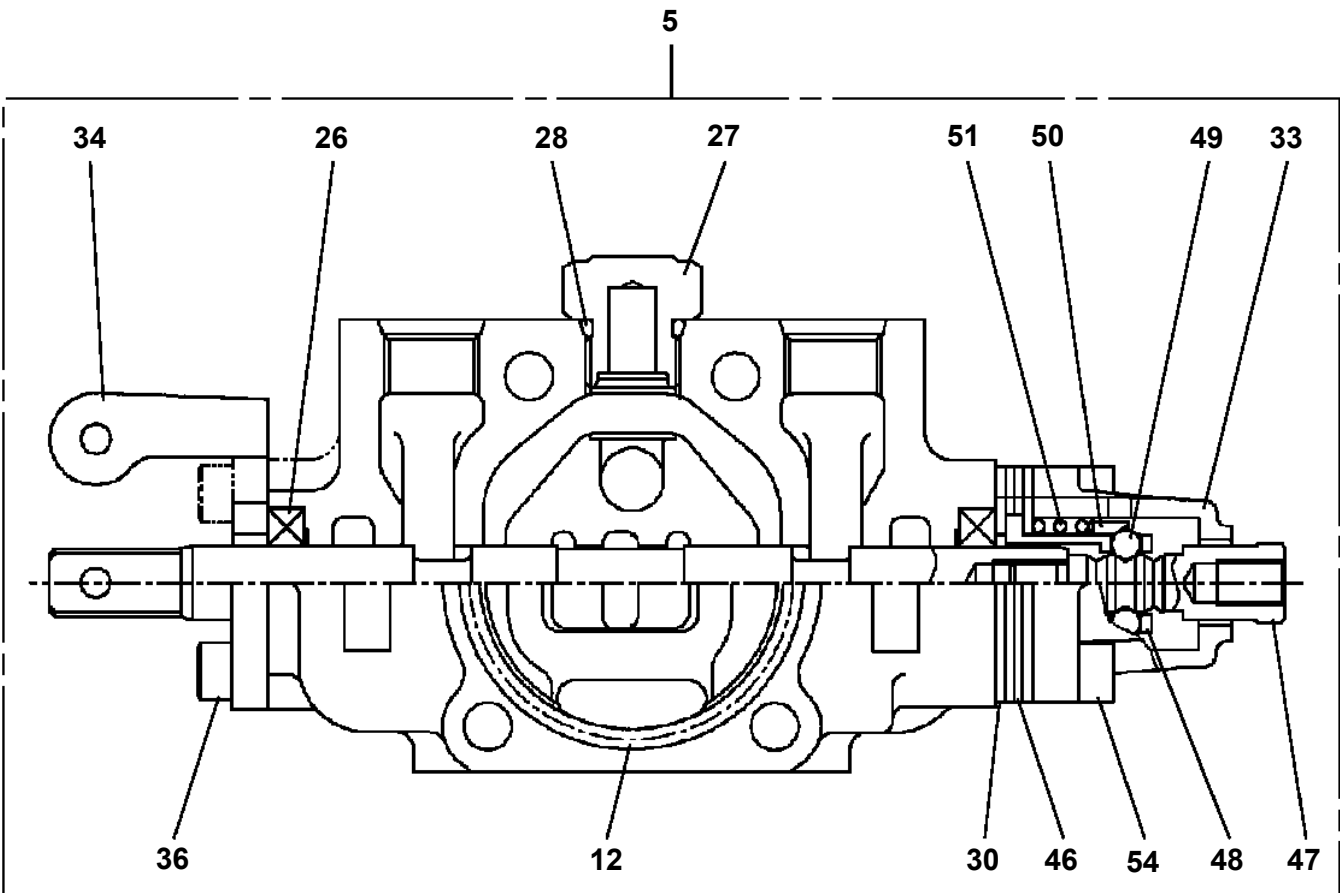
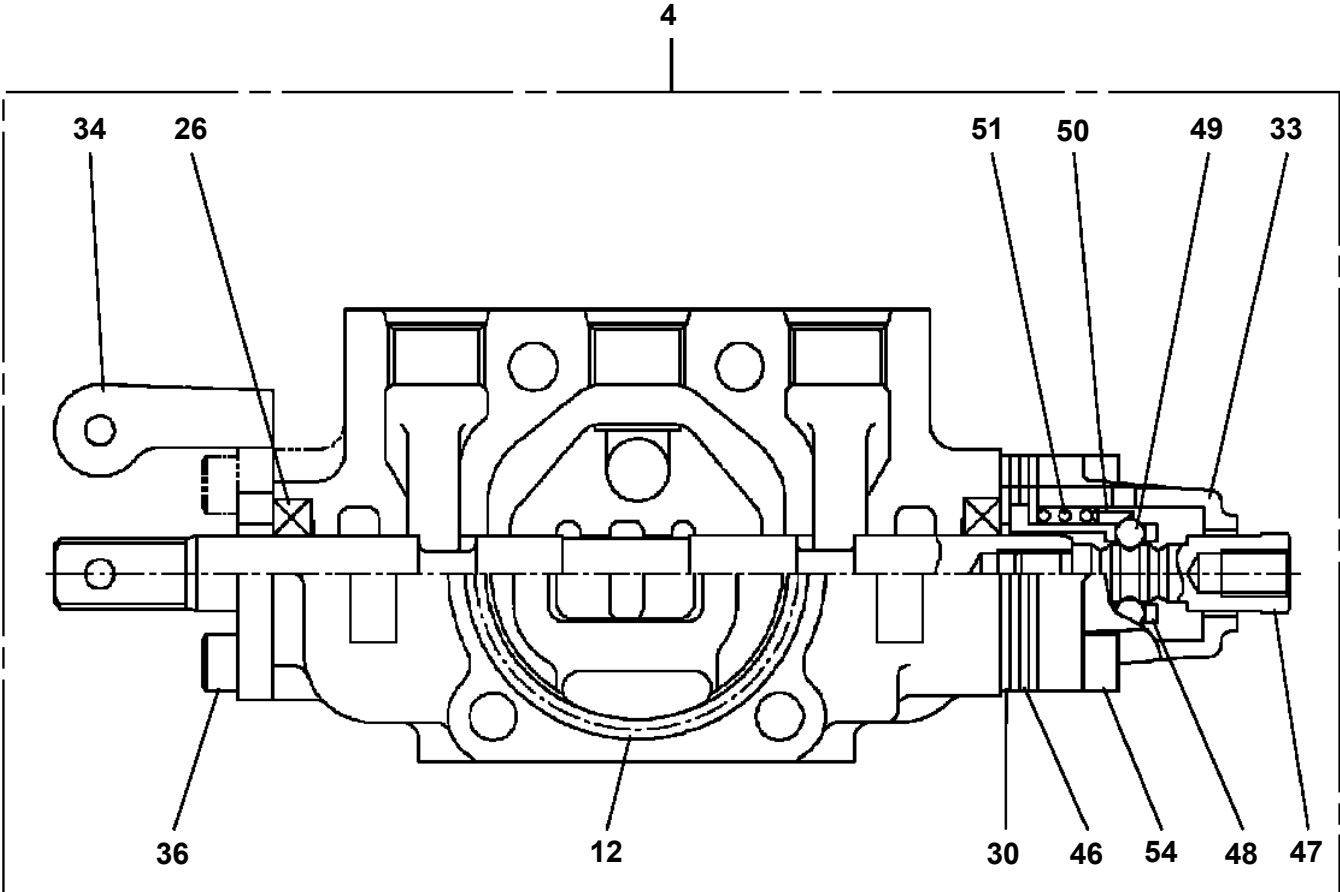
- Please note: If there is no response to CLICKING the link, please download this PDF first and then click on it.

CLICK HERE TO **DOWNLOAD** THE COMPLETE MANUAL

**DT-600-2-40100 LOWER,ISUZU P-NKR57E2KN  
PB1100383-00 PUMP,HYDRAULIC (27CC,23CC:L)**

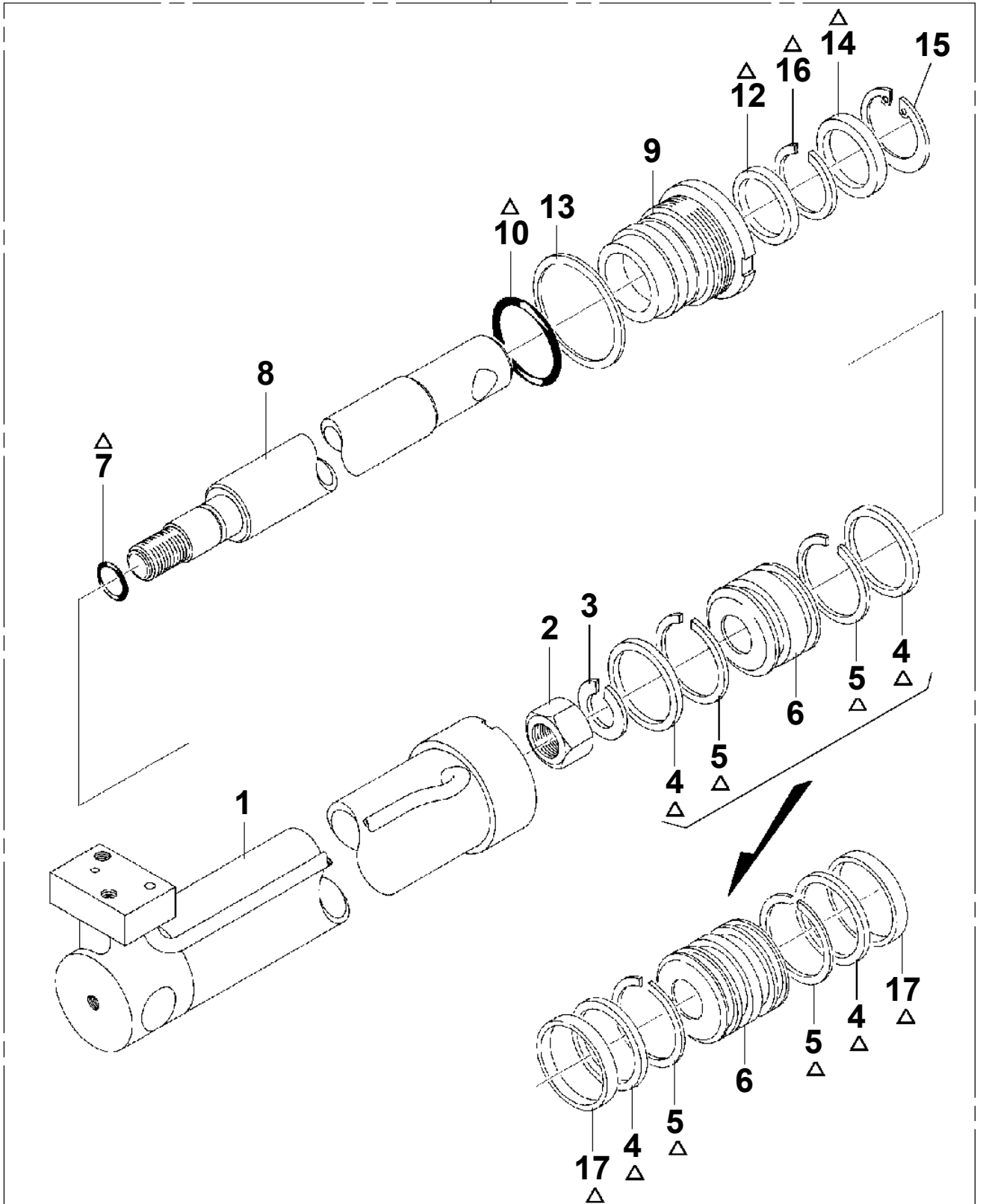


**DT-600-2-40100 LOWER,ISUZU P-NKR57E2KN  
PB1320619-00 VALVE,MANUAL CONTROL (OUTRIGGER)**



DT-600-2-40100 LOWER,ISUZU P-NKR57E2KN  
 PC1030007-02 CYLINDER,JACK

30

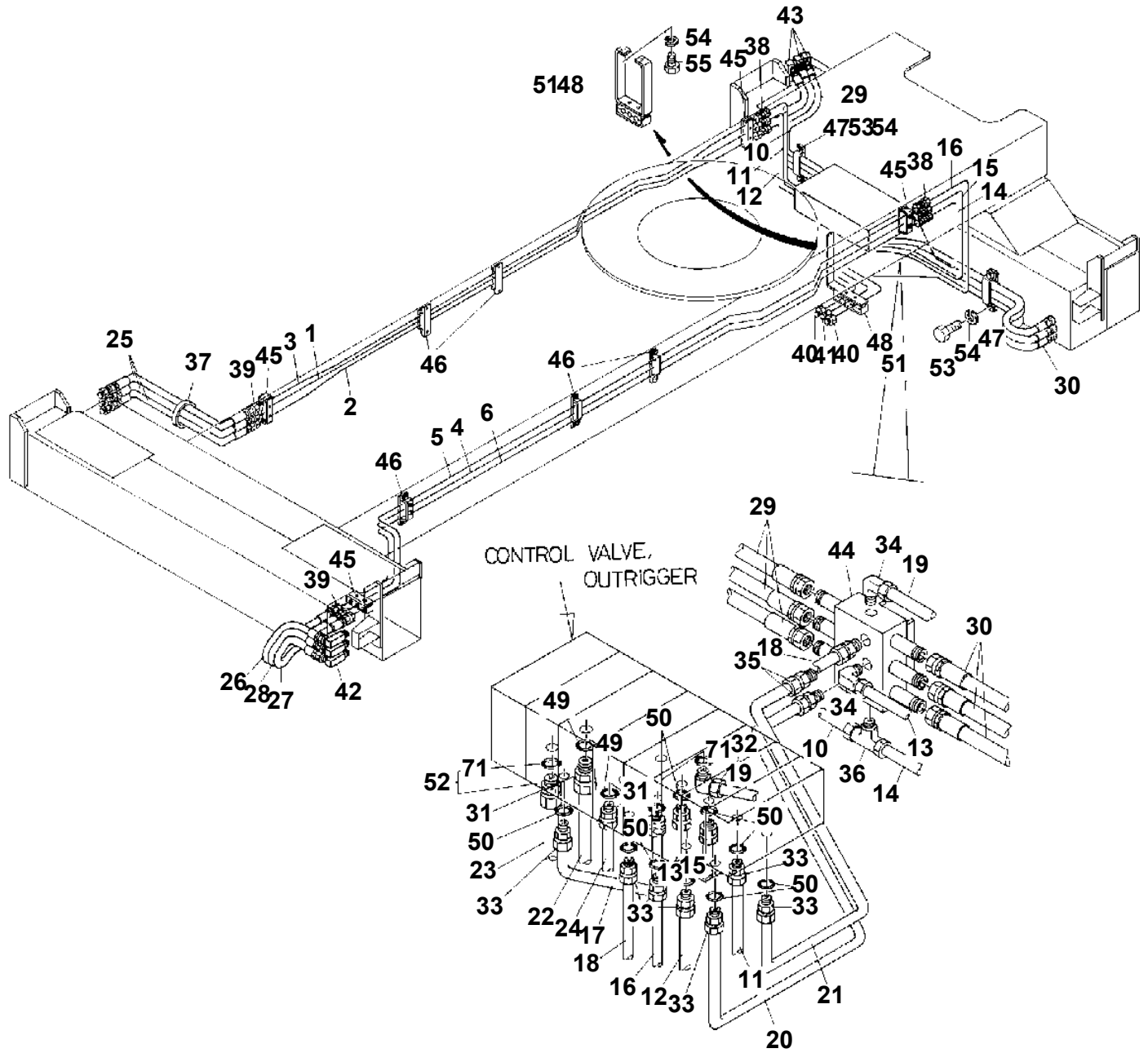


Δ : PACKING SET KEY NO**41** ( KEY NO.4,5,7,10,12,14,16 )



Δ : PACKING SET KEY NO**41** ( KEY NO.4.5.7.10.12.14.16 .17)

DT-600-2-40100 LOWER,ISUZU P-NKR57E2KN  
PC1200064-01 PIPING,OUTRIGGER



# DT-600-2-40100 LOWER,ISUZU P-NKR57E2KN

Pos No.	Parts No	Parts Name	Qty	Unit	Technical Data	Serial No (Start)	Serial No (End)	Remarks	Pages
1	82100000895	SWITCH,TOGGLE	1						
2	82100000665	CAP (BLACK)	1						
11	82161324080	RELAY	1						
17	82100000792	FUSE	1		25A,6.5X30				
100	32731430101	HARNESS	1						

# DT-600-2-40100 LOWER,ISUZU P-NKR57E2KN

Pos No.	Parts No	Parts Name	Qty	Unit	Technical Data	Serial No (Start)	Serial No (End)	Remarks	Pa
1	36620250060	PLUG	1						
2	91002801400	O-RING	2		1B P14				
3	12515186000	SPRING	1						
5	91002801000	O-RING	2		1B P10				
6	36620220010	PISTON	1						
7	91002800700	O-RING	1		1B P7				
9	36620030050	PLUG	1						
20	36621360000	VALVE,PILOT CHECK	1						

# DT-600-2-40100 LOWER,ISUZU P-NKR57E2KN

Pos No.	Parts No	Parts Name	Qty	Unit	Technical Data	Serial No (Start)	Serial No (End)	Remarks	Pages
2	37001501340	BOLT	12		M16X85				
3	90302041601	WASHER,SPRING	4		16				
4	37001501350	BOLT	18		M16X90				
5	90201701600	NUT	18		M16				
7	82400000316	INSULATOR	1				275592		
	82400000366	INSULATOR	1			275593	275868		
	82400000393	INSULATOR	1			275869			
8	80171303012	SCREW,MACHINE	1		M3X12		275592		
	80171303016	SCREW,MACHINE	1		M3X16	275593			
9	90101216025	BOLT	4		M16X25				
10	32630020010	SUPPORT	1						
11	37000521400	PLATE	1						
12	90303501601	WASHER,PLAIN	30		16				
13	37000512360	PLATE	4						
14	37000529960	PLATE	2			275476			
15	90303070301	WASHER,PLAIN	1		3	275593			
20	32620098010	COVER ASSY	1						
21	32620092030	COVER	1						
22	82400000315	CATCH	1						
23	42620013050	PLATE	1						
24	32620092040	SUPPORT	2						
30	32620378010	FRAME ASSY	1						
34	37000502190	PLATE	1						
35	37000517690	PLATE	1						
37	37000519980	BAR	1						
38	37000509200	PLATE	4						
39	54157062000	PLATE	5						

CLICK HERE TO **DOWNLOAD** THE COMPLETE MANUAL

- Thank you very much for reading the preview of the manual.
- You can download the complete manual from: [www.heydownloads.com](http://www.heydownloads.com) by clicking the link below



- Please note: If there is no response to CLICKING the link, please download this PDF first and then click on it.

CLICK HERE TO **DOWNLOAD** THE COMPLETE MANUAL

# DT-600-2-40100 LOWER,ISUZU P-NKR57E2KN

Pos No.	Parts No	Parts Name	Qty	Unit	Technical Data	Serial No (Start)	Serial No (End)	Rema
1	34460746500	LAMP (EMERGENCY SIGNAL)	1					

# DT-600-2-40100 LOWER,ISUZU P-NKR57E2KN

Pos No.	Parts No	Parts Name	Qty	Unit	Technical Data	Serial No (Start)	Serial No (End)	Remarks	Pages
1	32460050020	STOPPER	1						

# DT-600-2-40100 LOWER,ISUZU P-NKR57E2KN

Pos No.	Parts No	Parts Name	Qty	Unit	Technical Data	Serial No (Start)	Serial No (End)	Remarks	Pages
1	32690310010	DECK (RIGHT)	1						
2	32690310020	DECK (LEFT)	1						
3	32690050030	GUARD	2						
4	32690050040	COVER	1						
5	90101208012	BOLT	4		M8X12				
6	90302040801	WASHER,SPRING	4		8				
7	90101210016	BOLT	6		M10X16				
8	90201201000	NUT	6		M10				
9	90302041001	WASHER,SPRING	6		10				
50	32690318010	FENDER ASSY	1						

**DT-600-2-40100 LOWER,ISUZU P-NKR57E2KN**

Pos No.	Parts No	Parts Name	Qty	Unit	Technical Data	Serial No (Start)	Serial No (End)	Remarks	Pages
1	32810160010	GUARD	1						
2	90101210016	BOLT	4		M10X16				
3	90302041001	WASHER,SPRING	6		10				
5	90101210025	BOLT	2		M10X25				
6	32810060030	SUPPORT	1						
7	90201201000	NUT	2		M10				
8	32810060040	GUARD,SIDE	1						
9	32810060050	GUARD,SIDE	1						
10	37000519930	PLATE	2						
11	32810160020	GUARD	1						
12	32810060070	GUARD,SIDE	1						
13	37000529870	PLATE	1						
14	32810060080	GUARD,SIDE	1						

# DT-600-2-40100 LOWER,ISUZU P-NKR57E2KN

Pos No.	Parts No	Parts Name	Qty	Unit	Technical Data	Serial No (Start)	Serial No (End)	Remarks	Pages
1	32810000010	BLOCK,WOOD	1						

**DT-600-2-40100 LOWER,ISUZU P-NKR57E2KN**

Pos No.	Parts No	Parts Name	Qty	Unit	Technical Data	Serial No (Start)	Serial No (End)	Remarks	Pages
1	32810140010	SUPPORT	2						
2	90101210020	BOLT	9		M10X20				
3	90302041001	WASHER,SPRING	9		10				
4	32810140020	SUPPORT	1						
5	32810140030	SUPPORT	1						
6	90101208020	BOLT	1		M8X20				
7	90303070801	WASHER,PLAIN	1		8				
8	90201200800	NUT	1		M8				
9	90302040801	WASHER,SPRING	1		8				
10	82459103000	NIPPLE,GREASE	1		C-PT1/8				
11	37002503990	HOSE	1						
12	37002504000	HOSE	1		L=500				
13	91801300120	CLIP	4		D=10-12				
14	37000706520	CLAMP ASSY	1						
15	32810140040	SUPPORT	1						
16	32810140050	SUPPORT	1						

# DT-600-2-40100 LOWER,ISUZU P-NKR57E2KN

Pos No.	Parts No	Parts Name	Qty	Unit	Technical Data	Serial No (Start)	Serial No (End)	Remarks	Pages
1	32730142000	PLATE	4						
2	32730142010	SUPPORT	2						
5	90302041601	WASHER,SPRING	29		16				
10	32730142040	SUPPORT	1						
11	32730142050	SUPPORT	1						
12	32730142060	SUPPORT	1						
13	32730142070	SUPPORT	1						
14	90101516040	BOLT	29		M16X40				
21	90101210015	BOLT	4		M10X15				
22	37000519610	PLATE	2						
23	90101210012	BOLT	2		M10X12				
24	90302041001	WASHER,SPRING	2		10				
25	90303071001	WASHER,PLAIN	2		10				
31	32730142100	SUPPORT	1						
41	90101212020	BOLT	1		M12X20				
42	90302041201	WASHER,SPRING	1		12				
43	90101212040	BOLT	1		M12X40				
44	90303071201	WASHER,PLAIN	3		12				
45	90201201200	NUT	2		M12				
46	32730142200	SUPPORT	1						
61	32730142020	SUPPORT	2						
62	37000127930	PIN	2						
63	37000200100	PIN,SNAP	2						
64	32730142030	CUSHION	2						
65	90190000031	BOLT	4		M10X50				
66	90261001000	U-NUT	4		M10				

# DT-600-2-40100 LOWER,ISUZU P-NKR57E2KN

Pos No.	Parts No	Parts Name	Qty	Unit	Technical Data	Serial No (Start)	Serial No (End)	Remarks
1	36690051000	MOTOR ASSY,ELECTRIC	1					
2	90101506016	BOLT	12		M6X16			
3	90302040601	WASHER,SPRING	12		6			
4	90303070601	WASHER,PLAIN	12		6			
5	90201400600	NUT	8		M6			
6	36690100010	BRACKET	1					
7	36690100020	COVER	1					
8	36690005050	FAN	1					
9	82100002329	PLUG	1				275420	
	82121103020	PLUG	2			275421		
10	90302041001	WASHER,SPRING	1		10			
11	36330000001	RADIATOR	1					
12	90101210085	BOLT	4		M10X85			
13	90303071001	WASHER,PLAIN	4		10			
14	90201201000	NUT	4		M10			
15	82100002283	CONNECTOR	2				275420	
	82114103020	CONNECTOR	1			275421		
16	82100002256	TERMINAL	2				275420	
	82111102020	TERMINAL	2			275421		
17	82121104025	HOLDER	1			275421		

# DT-600-2-40100 LOWER,ISUZU P-NKR57E2KN

Pos No.	Parts No	Parts Name	Qty	Unit	Technical Data	Serial No (Start)	Serial No (End)	Re
1	32730297510	VALVE (CHARGING)	1					
2	32730297520	TRIGGER	1					
3	32730297530	PIN,SPRING	2					
4	32730297540	HANDLE	1					
5	32730297550	ROD (WIPER)	1					
6	32730297560	CAP (VALVE)	1					
7	32730297570	GRIP (HANDLE)	2					
8	32730297580	HOSE	2					
9	32730297590	STICKER	1					
10	32730297600	STICKER	1					
11	32730297610	STICKER	1					
12	32730297620	SPOOL	1					
13	32730297630	BOLT,HEXAGON SOCKET	2					
14	32730297640	ROD (SIDE)	2					
15	32730297650	NUT,LOCK	1					
16	32730297660	ROD (WIPER)	1					
17	32730297670	O-RING	1					
18	32730297680	BUSHING	1					
19	32730297690	O-RING	1					
20	32730297700	SPRING	1					
21	32730297710	DIAPHRAGM	1					
22	32730297720	BLOCK,VALVE (ACCUMULATOR)	1					
23	32730297730	BLOCK	1					
24	32730297740	O-RING	2					
25	32730297750	BODY,VALVE	1					
26	32730297760	PIN,ROLL	2					
27	32730297770	RING,BACKUP	2					
28	32730297780	PIN (BUSH)	2					
29	32730297790	VALVE,AUTOMATIC	1					
30	32730297800	TUBE (FLOW SLEEVE)	1					
31	32730297810	PIN (BUSH)	4					
32	32730297820	SLEEVE,FLOW	1					
33	32730297830	PISTON	1					
34	32730297840	O-RING	1					
35	32730297850	SEAL,CUP	1					
36	32730297860	FOOT,BREAKER	1					
37	32730297870	BUSHING	1					
38	32730297880	SPRING	1					
39	32730297890	DETENT	1					
40	32730297900	LATCH	1					
41	32730297910	BOLT (LATCH)	1					
42	32730297920	WASHER	2					
43	32730297930	WASHER,SPRING	2					
51	80456010610	JOINT,SELF SEALING	1					
52	80456020810	JOINT,SELF SEALING	1					
53	80315020080	JOINT,BUSHING	1					
71	32730297940	HANDLE ASSY	1					
72	32730297950	FOOT,BREAKER	1					
73	32730297960	SEAL KIT	1					
74	32730297970	HANDLE ASSY	1					
85	32730297650	NUT,LOCK	1					
91	91071011500	O-RING	1		Y22550-115-A			
100	32730290000	BREAKER (BR37)	1					

CLICK HERE TO **DOWNLOAD** THE COMPLETE MANUAL

- Thank you very much for reading the preview of the manual.
- You can download the complete manual from: [www.heydownloads.com](http://www.heydownloads.com) by clicking the link below



- Please note: If there is no response to CLICKING the link, please download this PDF first and then click on it.

CLICK HERE TO **DOWNLOAD** THE COMPLETE MANUAL