

# **TM-ZX500 41050601295A FRAME**

**PB0000386-00 SYSTEM (ZX500SL,DOMESTIC)**

**ASSEMBLY**

CLICK HERE TO **DOWNLOAD** THE COMPLETE MANUAL

- Thank you very much for reading the preview of the manual.
- You can download the complete manual from: [www.heydownloads.com](http://www.heydownloads.com) by clicking the link below



- Please note: If there is no response to CLICKING the link, please download this PDF first and then click on it.

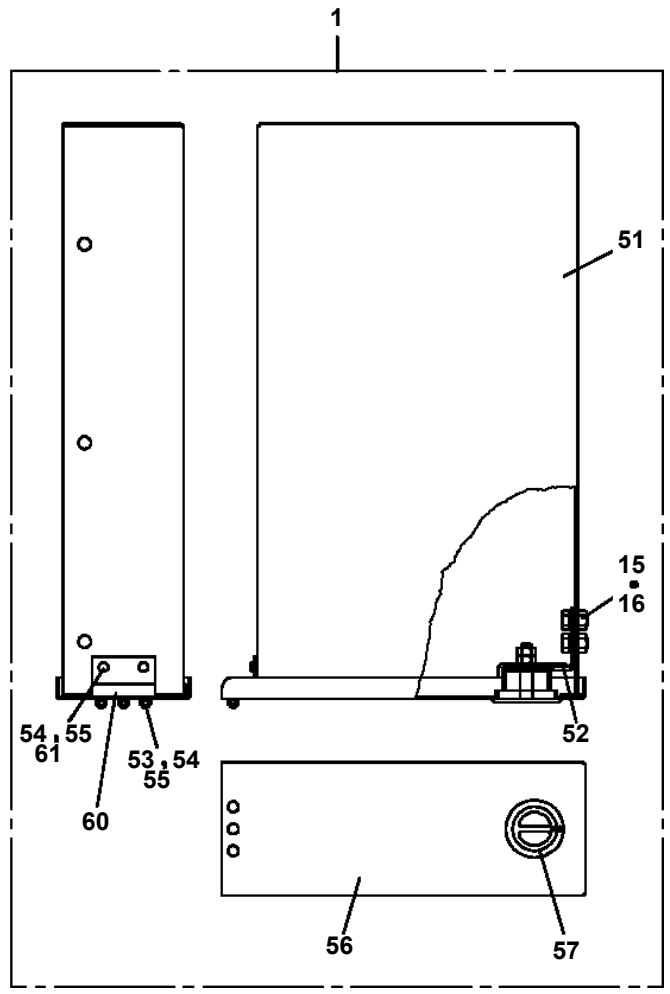
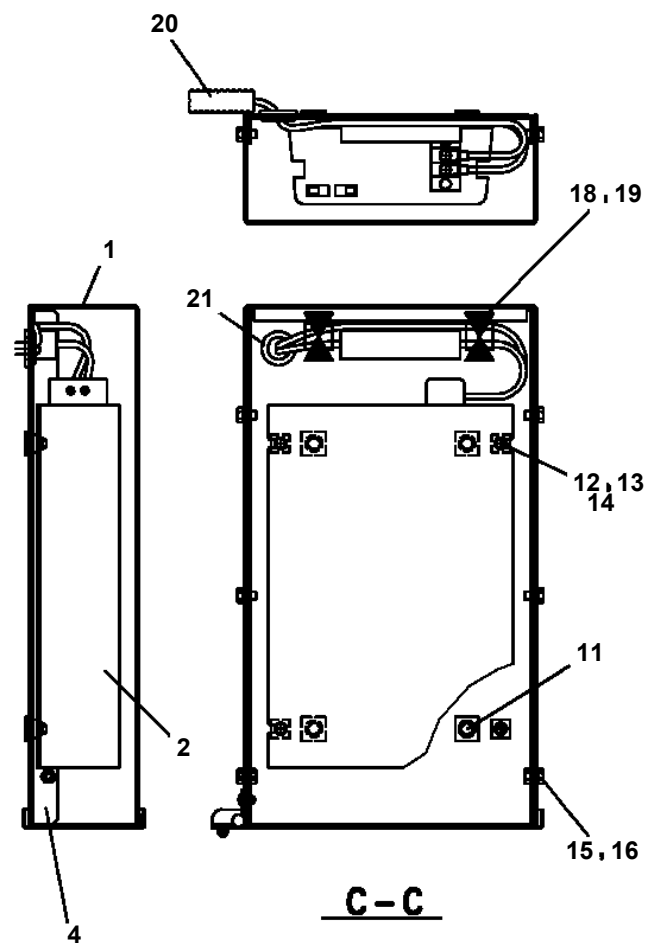
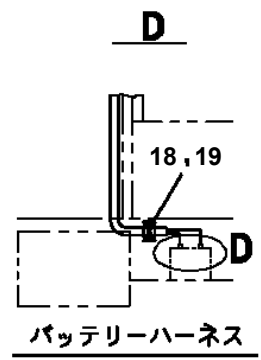
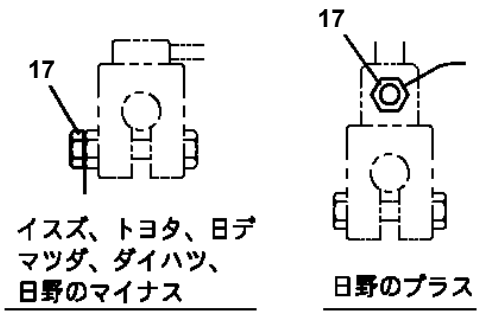
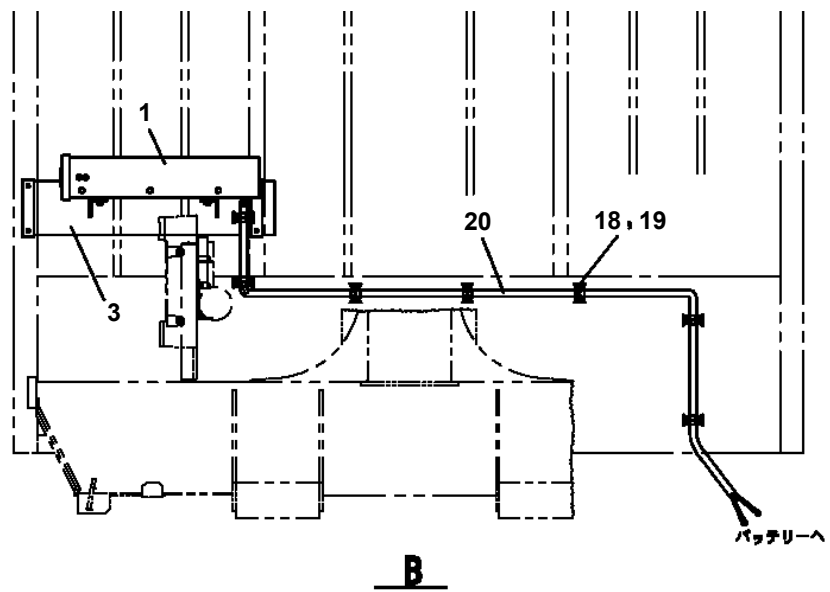
CLICK HERE TO **DOWNLOAD** THE COMPLETE MANUAL

# TM-ZX500 41050601295A FRAME

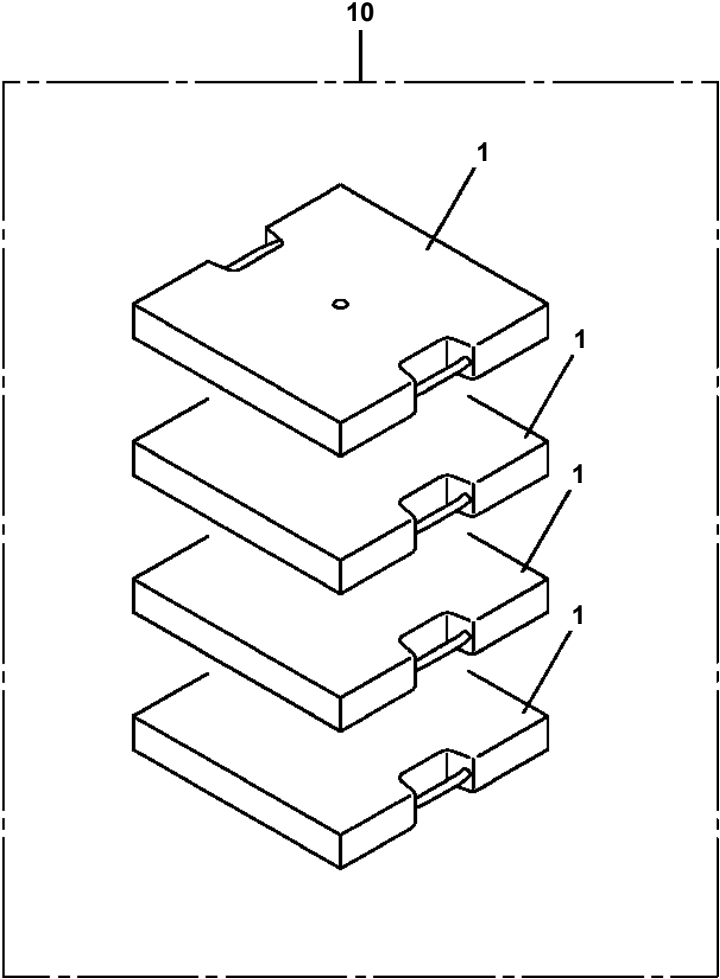
Pos No.	Parts No	Parts Name	Qty	Unit	Technical Data	Serial No (Start)	Serial No (End)	Remark
81	36651645010	SEAL KIT	1					
100	36654340000	PUMP,HYDRAULIC (52CC:R)	1					

TM-ZX500 41050601295A FRAME

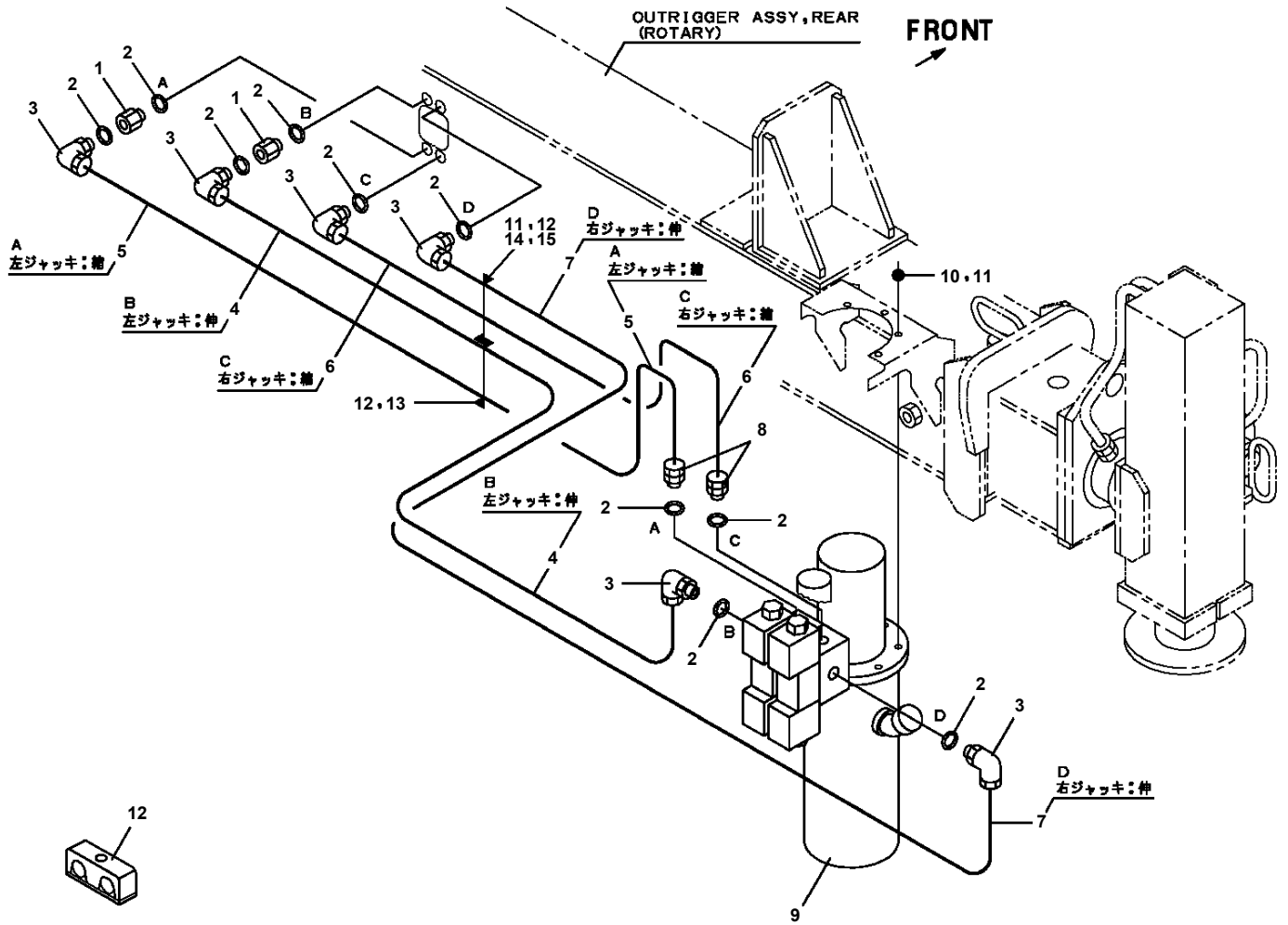
PB1380332-03 POWER SUPPLY (100V POWER SOURCE/1500W)



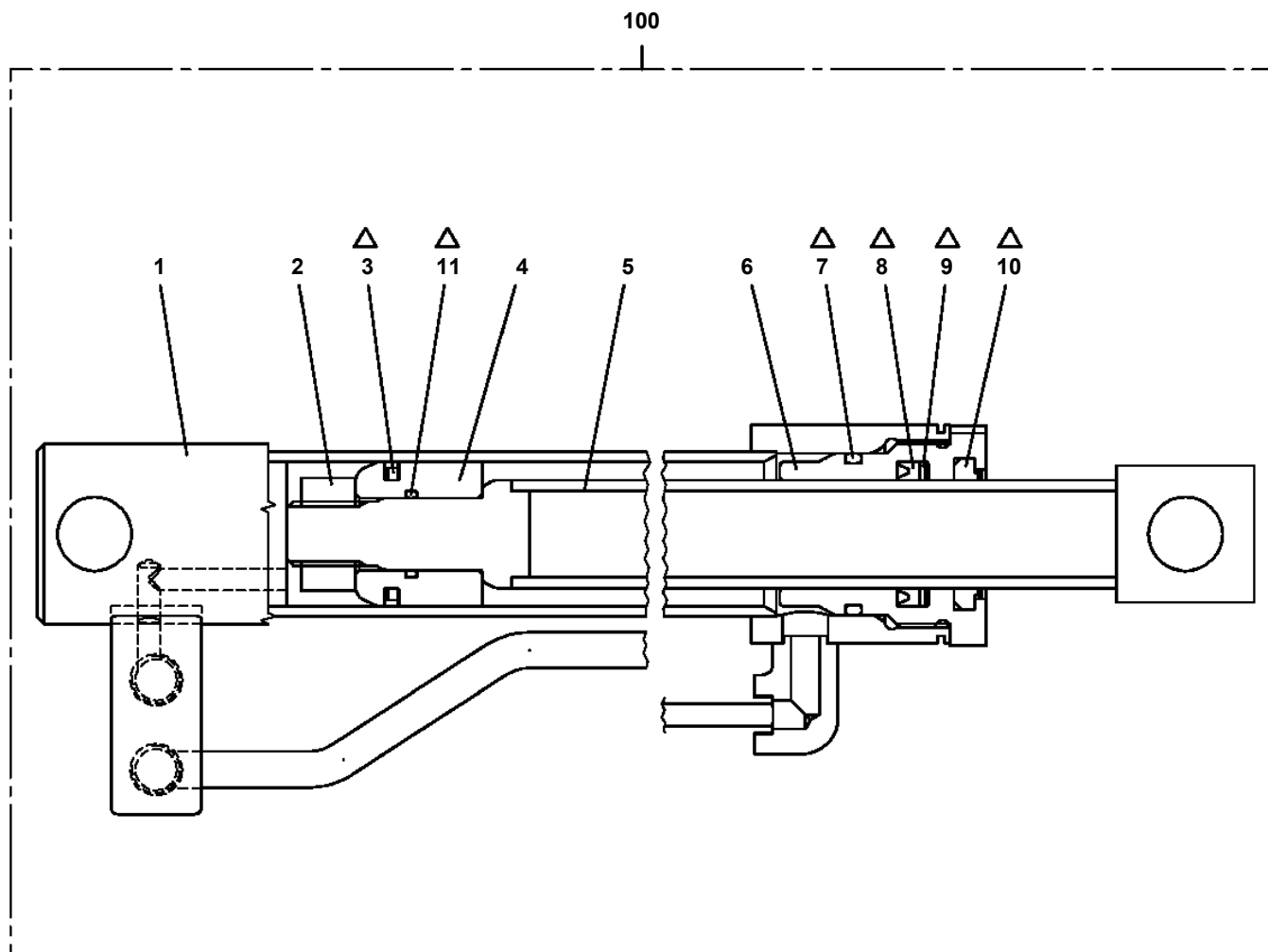
**TM-ZX500 41050601295A FRAME**  
**PB5110004-00 BLOCK (4 PIECE SET:PLATE,500X500,H=90)**



**TM-ZX500 41050601295A FRAME  
PC1230023-03 PIPING,REAR JACK (ROTARY TYPE)**



TM-ZX500 41050601295A FRAME  
PC6380044-00 CYLINDER ASSY,EXTENSION (RIGHT)



△:PACKING SET KEY NO. 40 (KEY NO. 3,7,8,9,10,11)



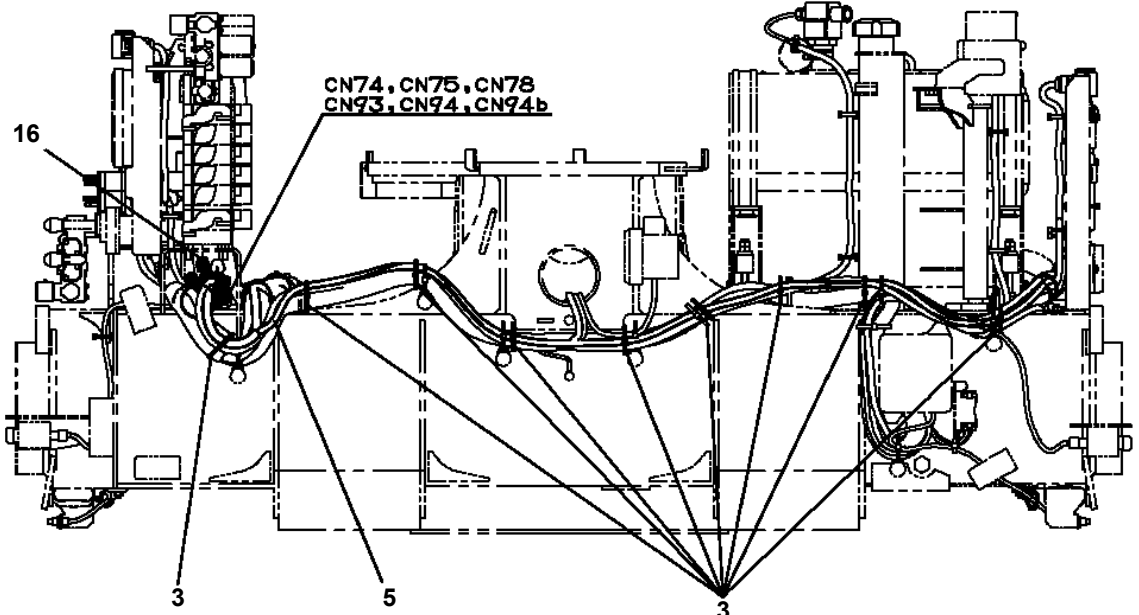
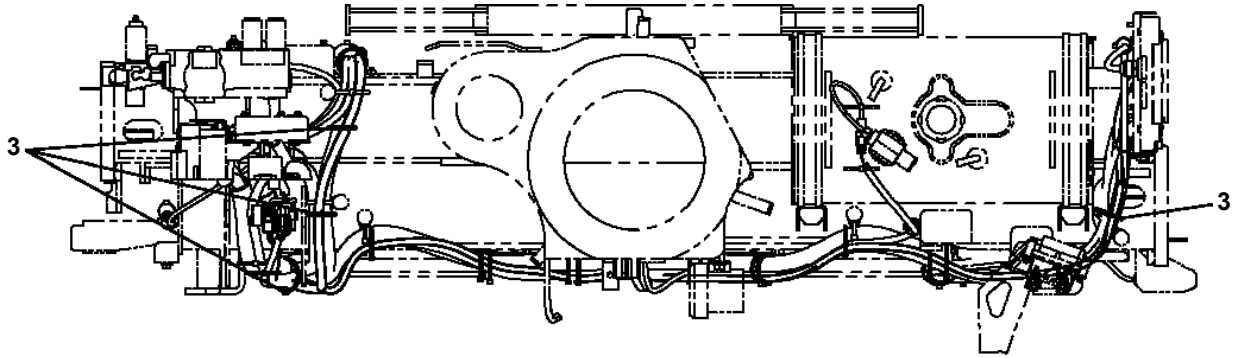
# TM-ZX500 41050601295A FRAME

Pos No.	Parts No	Parts Name	Qty	Unit	Technical Data	Serial No (Start)	Serial No (End)	Remarks	Pages
1	91810130250	FASTENER	2						

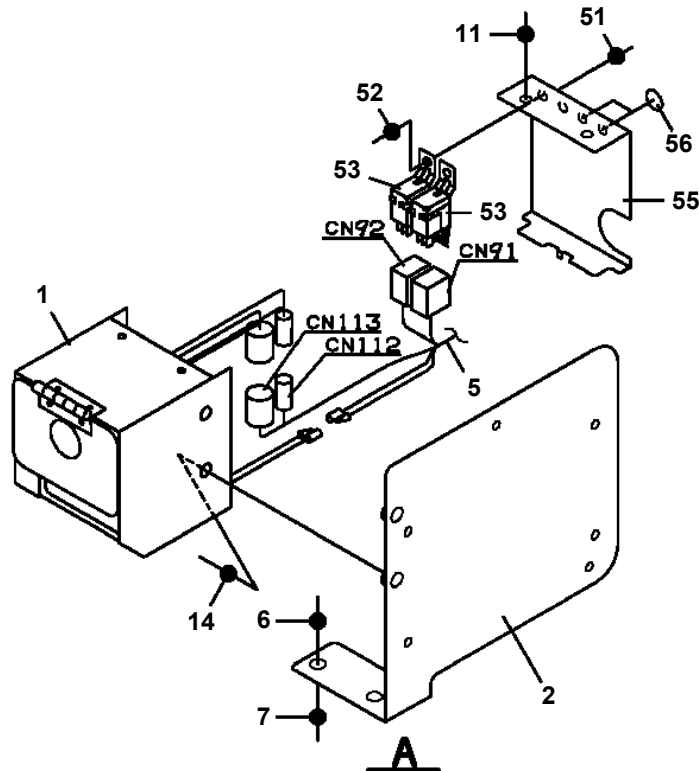
# TM-ZX500 41050601295A FRAME

Pos No.	Parts No	Parts Name	Qty	Unit	Technical Data	Serial No (Start)	Serial No (End)	Remark
1	(*****)	ELEC.ASSY (POST:HARNESS)	1					

**TM-ZX500 41050601295A FRAME**  
**PE5021349-01 ELEC.ASSY (SELF)**



**B**  
 ( ZX300,360の場合 )



**A**

# TM-ZX500 41050601295A FRAME

Pos No.	Parts No	Parts Name	Qty	Unit	Technical Data	Serial No (Start)	Serial No (End)	Remarks	Pages
1	91810130250	FASTENER	10						000078
2	31733763200	HARNESS	1						

# TM-ZX500 41050601295A FRAME

Pos No.	Parts No	Parts Name	Qty	Unit	Technical Data	Serial No (Start)	Serial No (End)	Remarks
1	31310647530	GEAR,SPUR	1					
2	31310647540	PIN	2					
3	31311257510	DRUM	1					
4	80516006306	BEARING,BALL	1					
5	80516006206	BEARING,BALL	1					
6	90172410025	BOLT,HEXAGON SOCKET	4		M10X25			
7	90302041001	WASHER,SPRING	4		10			
100	31311250300	DRUM,WINCH (Y.G.TEC)	1					

# TM-ZX500 41050601295A FRAME

Pos No.	Parts No	Parts Name	Qty	Unit	Technical Data	Serial No (Start)	Serial No (End)	Remarks	Pages
1	53037260000	HOOK	1						000051
2	83151211401	CLIP	1						
3	83151111401	CLIP	1						
4	37001806200	ROPE,WIRE	1		14X30M				
5	37002600230	WEDGE	1		14				

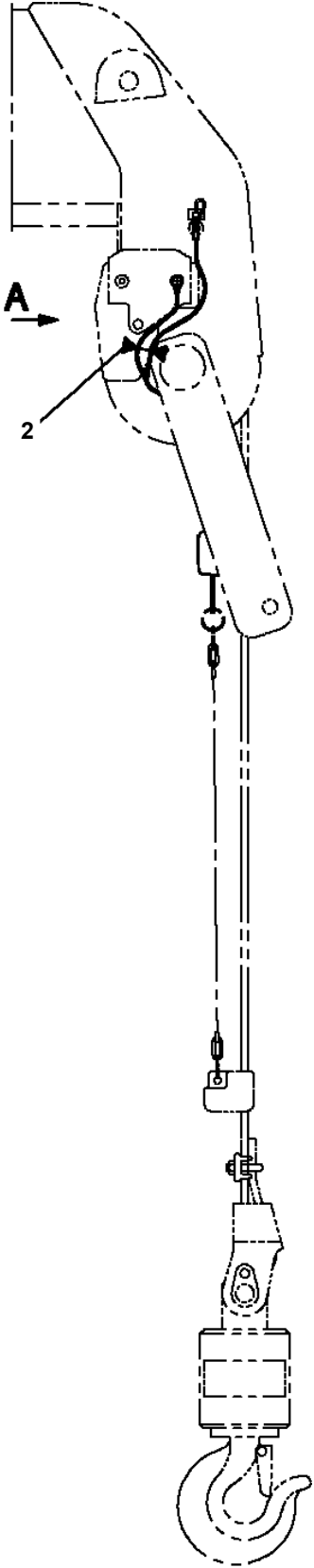
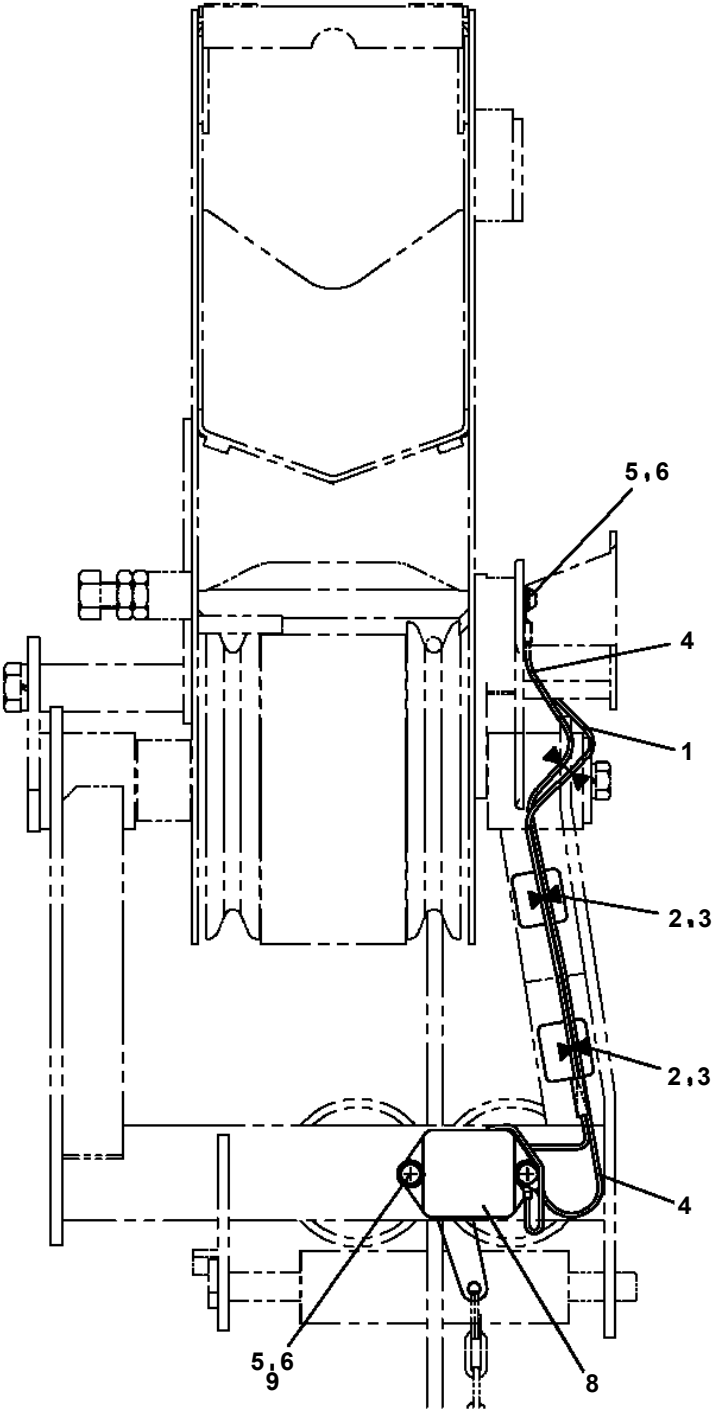
## TM-ZX500 41050601295A FRAME

Pos No.	Parts No	Parts Name	Qty	Unit	Technical Data	Serial No (Start)	Serial No (End)	Remarks
1	90191510020	BOLT,HEXAGON SOCKET	8		M10X20			
2	90302041001	WASHER,SPRING	8		10			
3	90303071001	WASHER,PLAIN	4		10			
4	36093860021	BODY	1					
5	36093860042	SUPPORT	1					
6	37001008670	SHEAVE ASSY	2					
7	80720105056	PIN,SPRING	1		5X56			
9	36093860031	BODY	1					
10	36093860080	COVER	2					
12	80500051207	BEARING,BALL	1					
13	36093860071	TRUNNION	1					
21	36095155020	HOOK ASSY	1					
32	36093861100	BEARING,BALL	2					
40	36095150050	TRIGGER SET	1					
100	36095150000	HOOK (LOCKING)	1					

## TM-ZX500 41050601295A FRAME

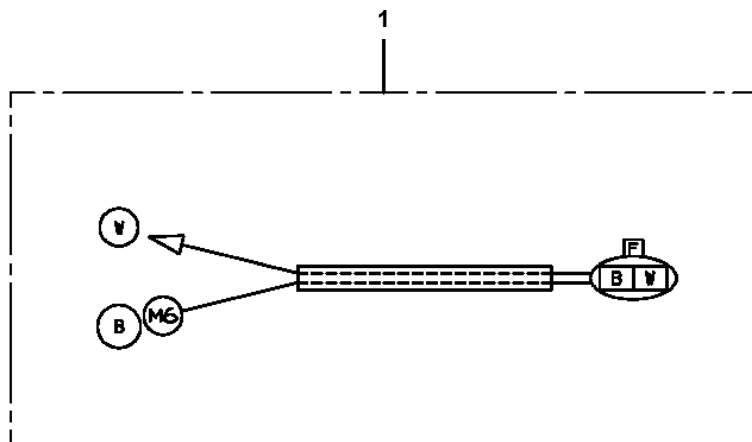
Pos No.	Parts No	Parts Name	Qty	Unit	Technical Data	Serial No (Start)	Serial No (End)	Remarks
1	36662650000	MOTOR,HYDRAULIC	1					
2	90302041201	WASHER,SPRING	6		12			
3	90172112035	BOLT,HEXAGON SOCKET	2		M12X35			
4	36072800000	WINCH (SELF)	1					
5	31311131000	GUARD	1					
6	90171116045	BOLT	8		M16X45			
7	90302041601	WASHER,SPRING	8		16			
8	91000515200	O-RING	1		AS568-152			
10	14124015000	BOLT	3					
11	90201201200	NUT	6		M12			
12	90101212020	BOLT	4		M12X20			
13	37000136790	PIN ASSY	1					
14	90303071201	WASHER,PLAIN	2		12			
15	80136340020	PIN,SPLIT	1		4X20			
16	31322224200	PLATE	2		L=1			
17	37001300250	SPRING	3					
31	31311139520	SUPPORT ASSY	1					
32	31311139510	ROLLER ASSY	1					
33	31311130530	PIN	1					
34	80516006203	BEARING,BALL	2					
41	80136340020	PIN,SPLIT	1		4X20			
42	37000136800	PIN	1					

TM-ZX500 41050601295A FRAME  
PH1060491-01 DETECTOR,OVERWIND

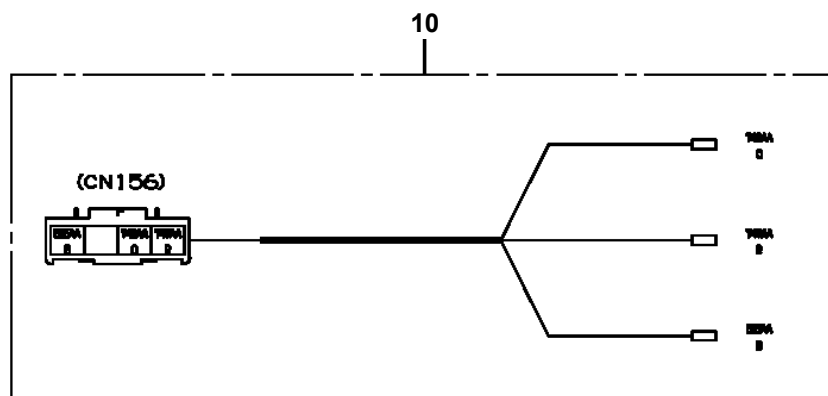


A

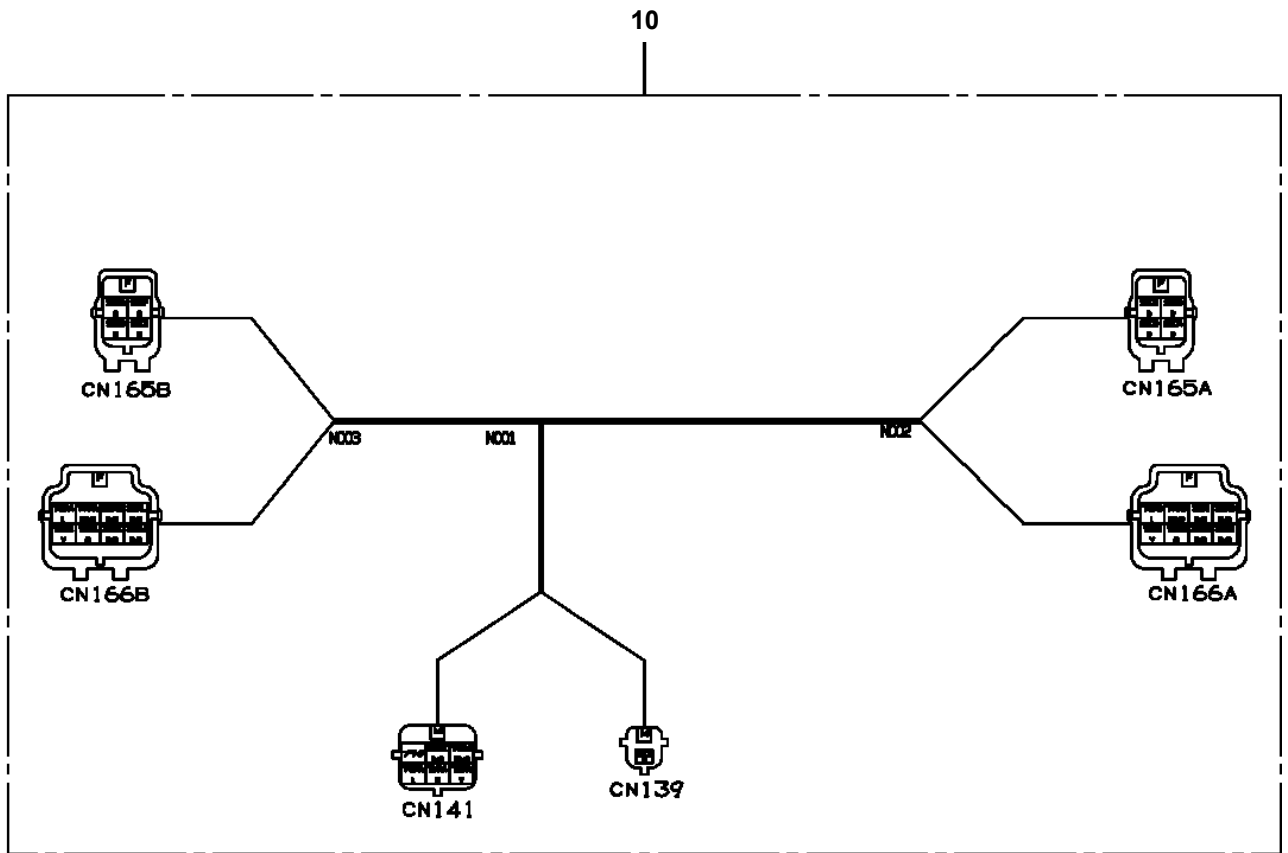
TM-ZX500 41050601295A FRAME  
PH5033592-00 HARNESS



**TM-ZX500 41050601295A FRAME  
PH5034112-00 HARNESS**

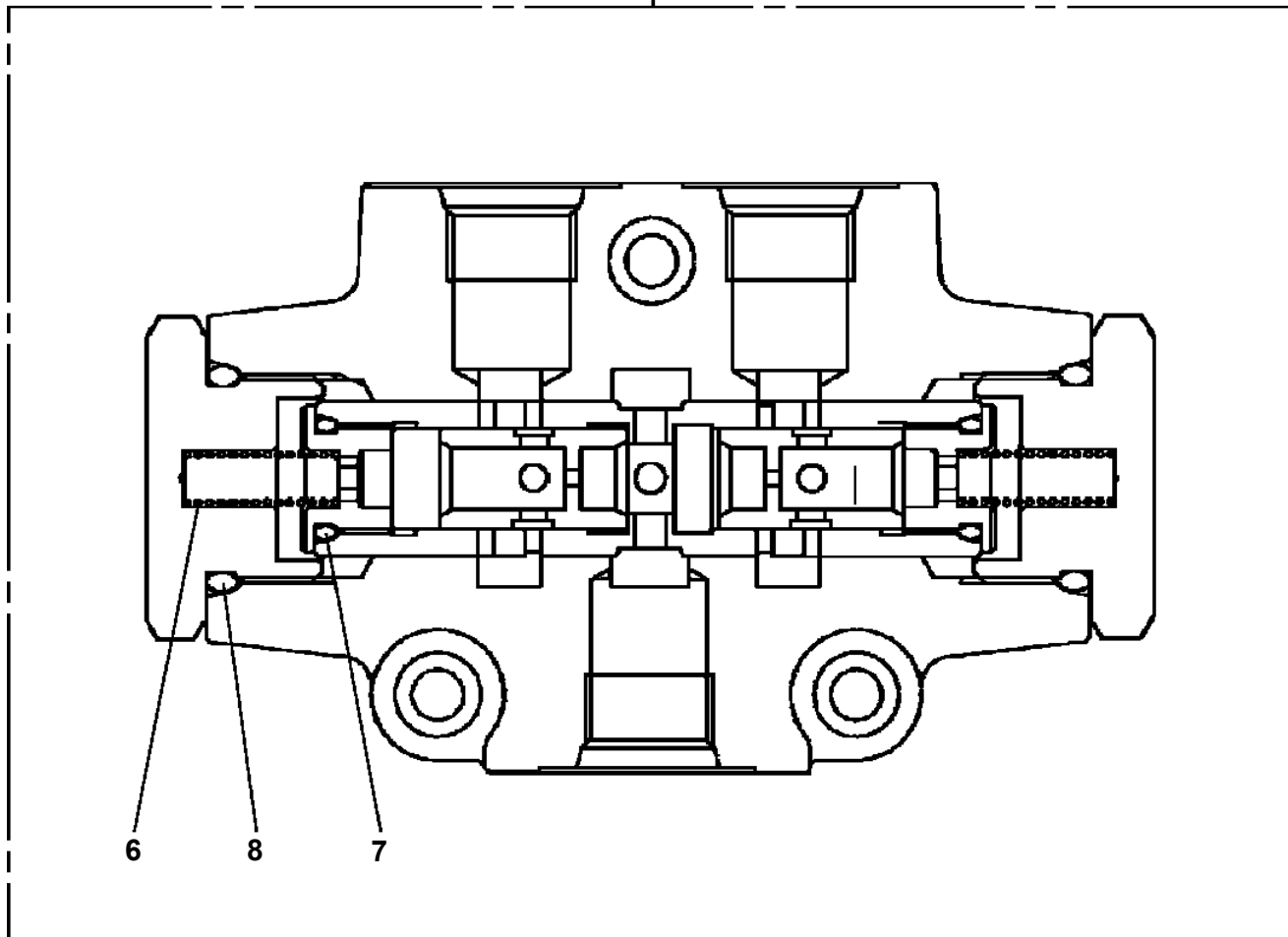


TM-ZX500 41050601295A FRAME  
PH5034489-00 HARNESS

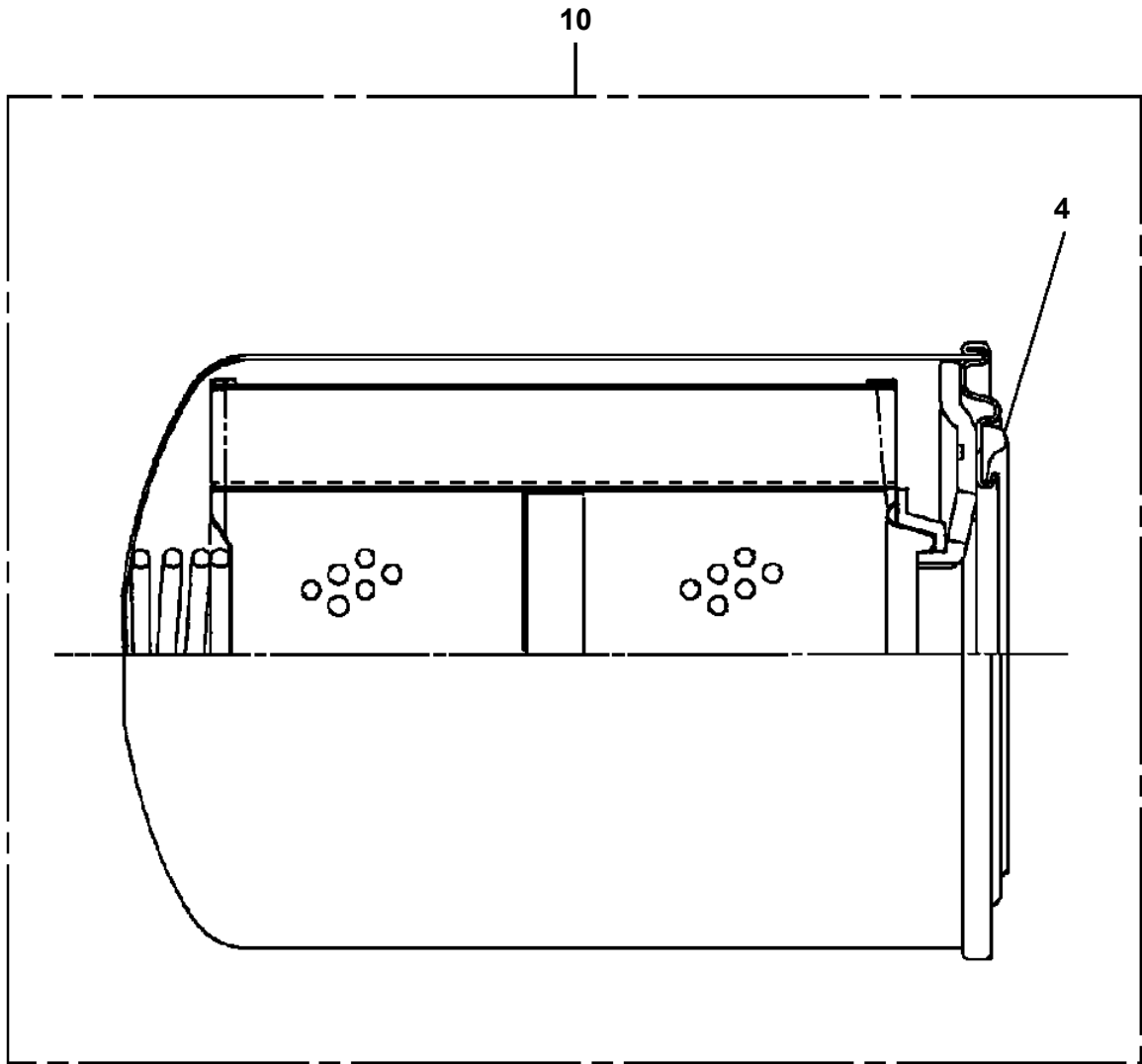


TM-ZX500 41050601295A FRAME  
PI1160047-00 VALVE, FLOW CONTROL

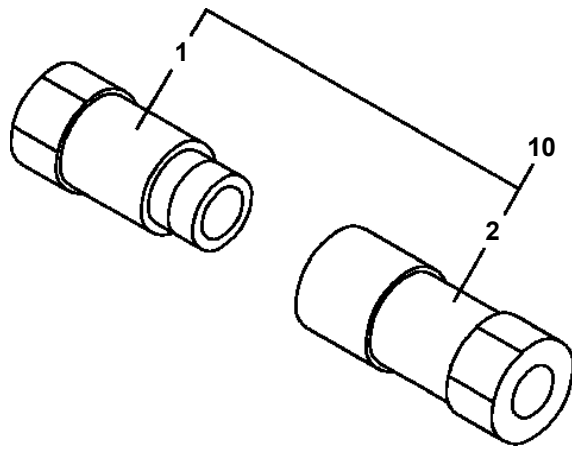
100



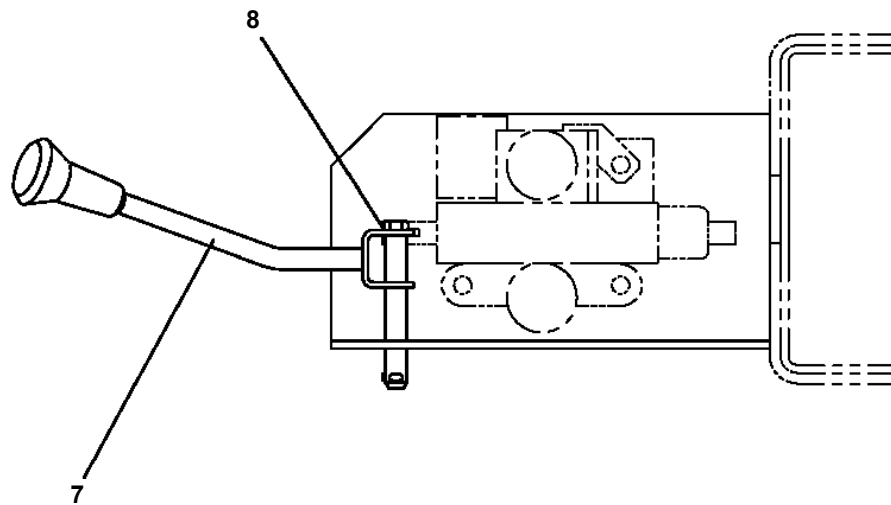
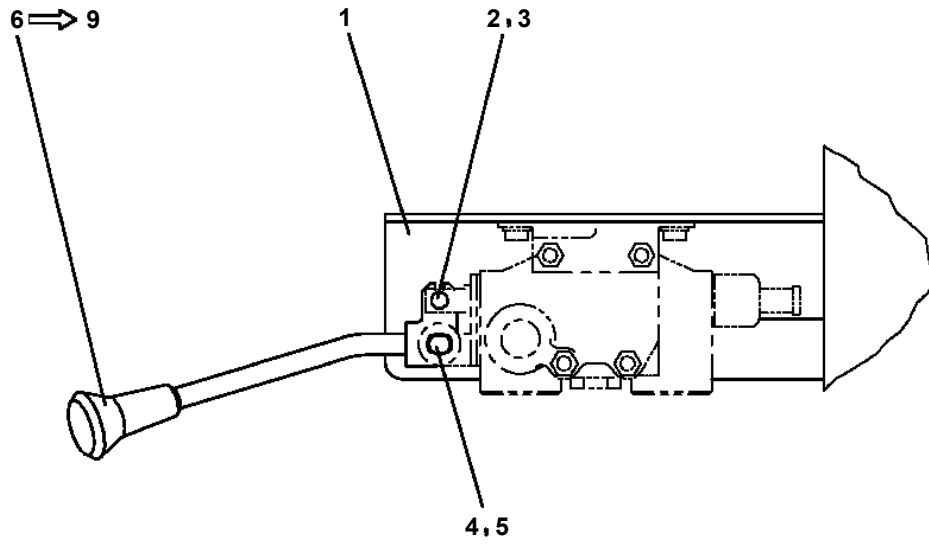
TM-ZX500 41050601295A FRAME  
PI1300028-01 FILTER,OIL (CARTRIDGE)



**TM-ZX500 41050601295A FRAME**  
**PJ5140001-00 JOINT ASSY,SELF SEAL**



TM-ZX500 41050601295A FRAME  
PL1010734-01 OPE.ASSY,CONT.VALVE (POWER SUPPLY)



**TM-ZX500 41050601295A FRAME**  
**PL5020227-00 LAMP ASSY (POST/24V-20W)**

ランプ ASSY (ホスト/24V-20W)  
LAMP ASSY (POST/24V-20W)

---

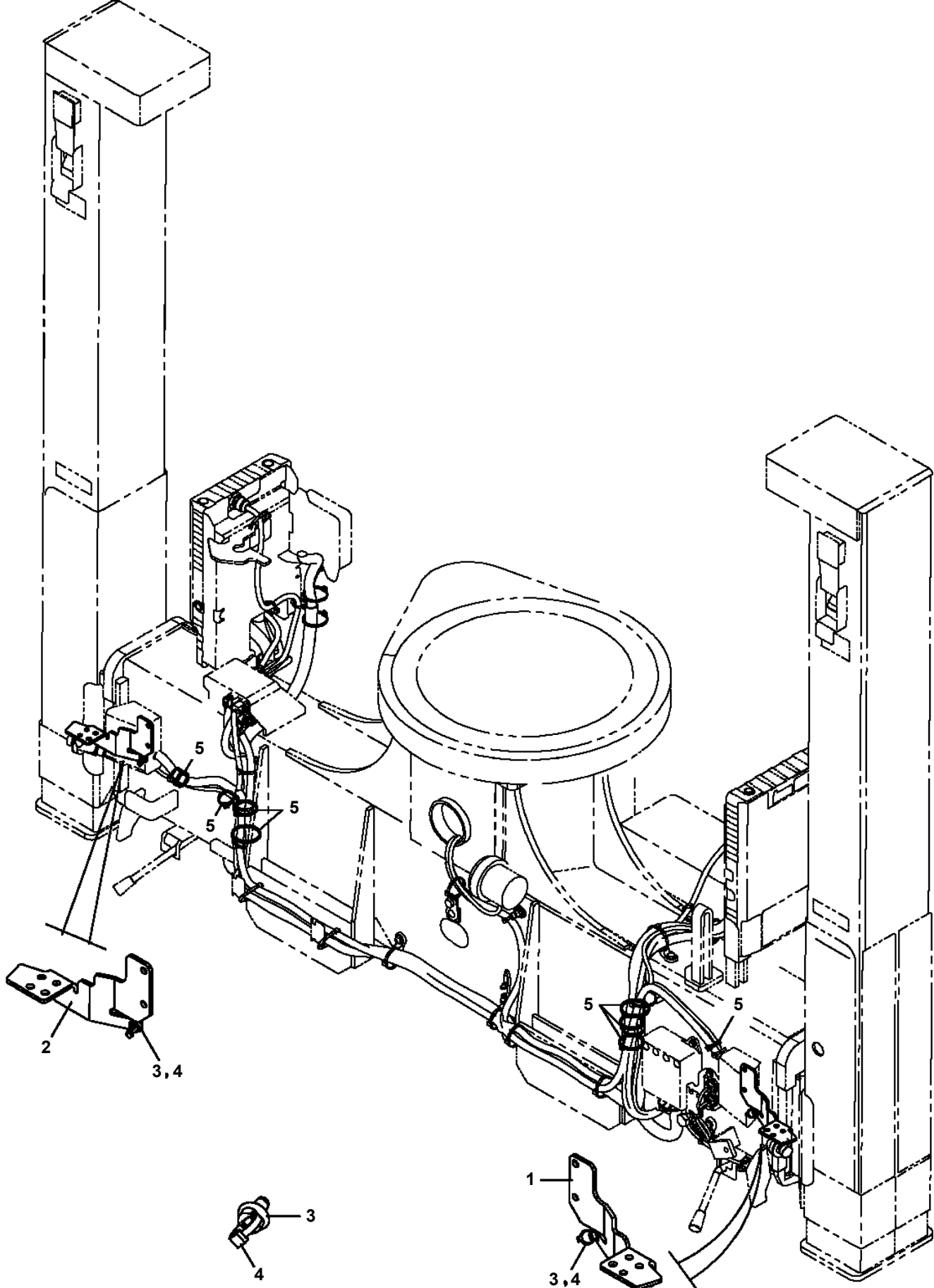
ポスト取付けタイプ  
ランプ仕様：24V-20W

符号	日本語名称	英語名称	備考
2	ハイセンASSY	ELEC. ASSY	ホスト部
3	ハイセンASSY	ELEC. ASSY	ホスト部 (LED20W)

適用製造番号によっては取り付けがないものもあります。

MACHINES OF SOME SERIAL NO. ARE NOT EQUIPPED WITH THESE PARTS.

**TM-ZX500 41050601295A FRAME  
PM5151090-00 MODIFICATION ASSY**



CLICK HERE TO **DOWNLOAD** THE COMPLETE MANUAL

- Thank you very much for reading the preview of the manual.
- You can download the complete manual from: [www.heydownloads.com](http://www.heydownloads.com) by clicking the link below



- Please note: If there is no response to CLICKING the link, please download this PDF first and then click on it.

CLICK HERE TO **DOWNLOAD** THE COMPLETE MANUAL

**TM-ZX500 41050601295A FRAME  
PN5012014-02 NAME PLATE ASSY (FRAME:TDN-LAYOUT)**

ネームプレートASSY (フレーム:タタノハイレッツ)  
NAME PLATE ASSY (FRAME:TDN-LAYOUT)

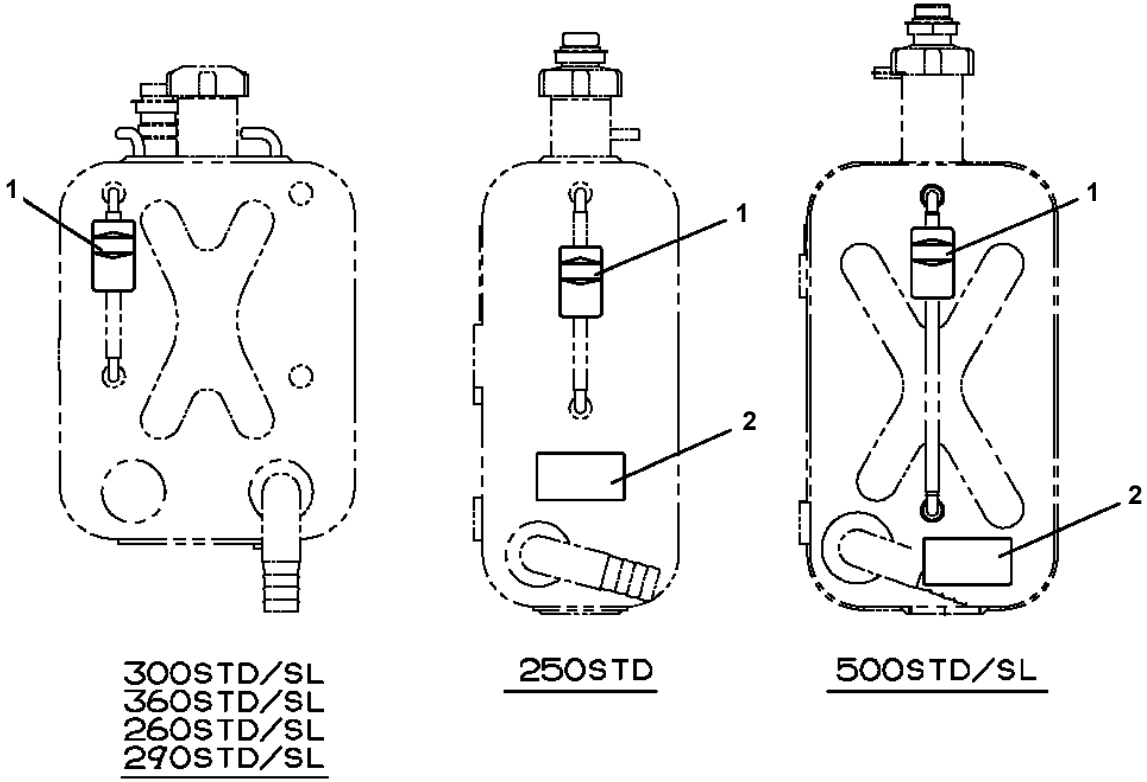
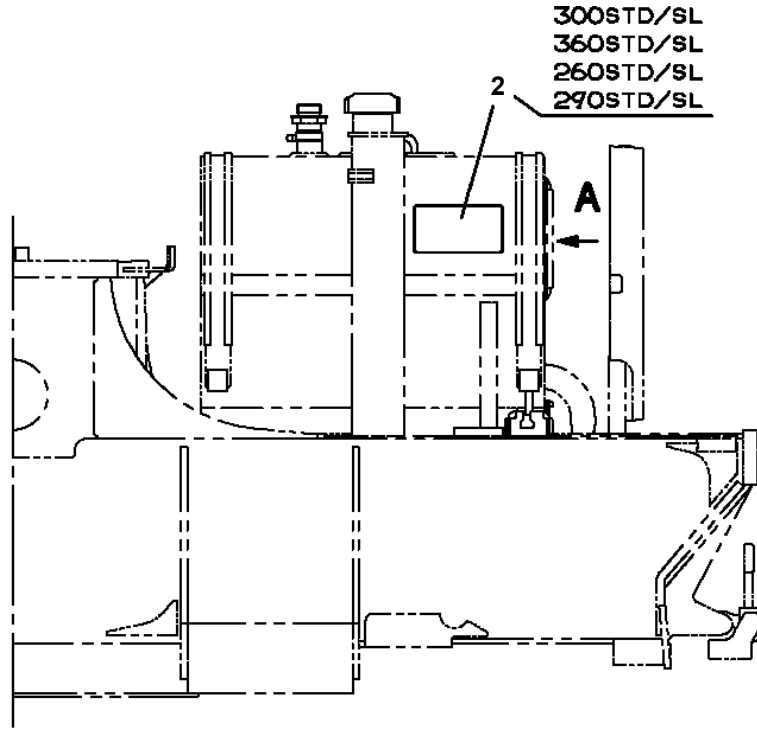
---

符号	日本語名称	英語名称	備考
1	ネームプレートASSY	NAME PLATE ASSY	ノブ銘板:タタノ配列 (SL)
4	ネームプレートASSY	NAME PLATE ASSY	タンク油量銘板:共通
5	ネームプレートASSY	NAME PLATE ASSY	フック銘板:共通
6	ネームプレートASSY	NAME PLATE ASSY	O/R注意銘板等
7	ネームプレートASSY	NAME PLATE ASSY	定期自主検査銘板
8	ネームプレートASSY	NAME PLATE ASSY	ノブ銘板 SLジャッキ

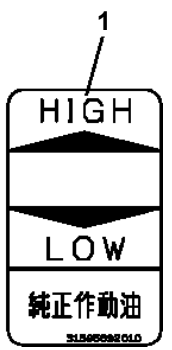
適用製造番号によっては取り付けがないものもあります。

MACHINES OF SOME SERIAL NO. ARE NOT EQUIPPED WITH THESE PARTS.

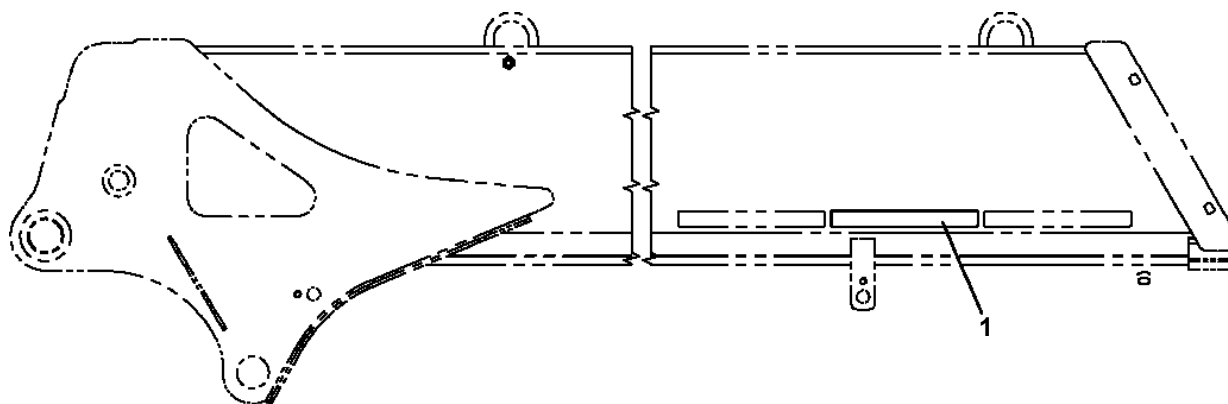
**TM-ZX500 41050601295A FRAME  
PN5012020-01 NAME PLATE ASSY (TANK)**



**A**

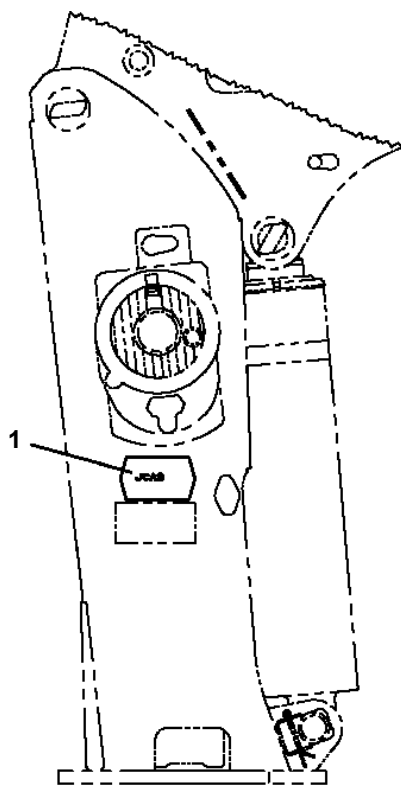


TM-ZX500 41050601295A FRAME  
PN5012122-00 NAME PLATE ASSY



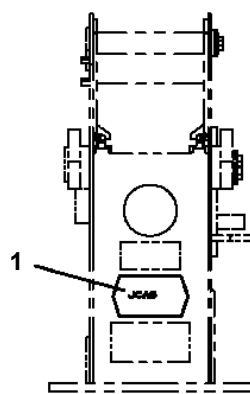
1  
フーム・ジャッキ インターロック装置付

TM-ZX500 41050601295A FRAME  
 PN5012165-01 NAME PLATE ASSY (JSAS)

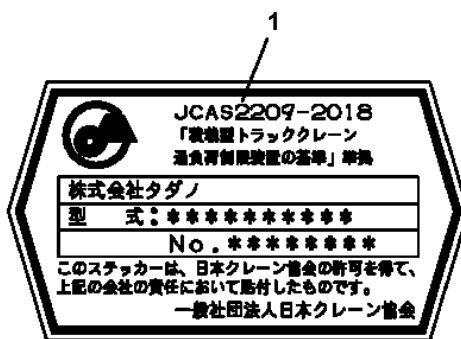


ZX250, ZX260, ZX290  
 ZX300, ZX360  
 ZS500, ZS580  
 ZX500

ポスト側面



ZS220  
 ポスト前面





# TM-ZX500 41050601295A FRAME

Pos No.	Parts No	Parts Name	Qty	Unit	Technical Data	Serial No (Start)	Serial No (E
1	(*****)	NAME PLATE ASSY (FRAME:TDN-LAYOUT)	1				
	(*****)	NAME PLATE ASSY (FRAME:U-LAYOUT)	1				
2	(*****)	PLATE ASSY,NAME (POST)	1				
5	(*****)	PERFORMANCE DATA (A)	1				
6	(*****)	PERFORMANCE DATA (B)	1				
7	(*****)	PERFORMANCE DATA (C)	1				
8	(*****)	NAME PLATE ASSY	1				
11	(*****)	PLATE ASSY,NAME (FRAME SERIAL NO.)	1				

# TM-ZX500 41050601295A FRAME

Pos No.	Parts No	Parts Name	Qty	Unit	Technical Data	Serial No (Start)	Serial No (End)	Remarks	Pages
1	(*****)	PLATE,NAME (NETIS)	1						

# TM-ZX500 41050601295A FRAME

Pos No.	Parts No	Parts Name	Qty	Unit	Technical Data	Serial
1	(***** )	OPE.ASSY,CONT.VALVE (ELEVATING,WINCH,TELESCOPING/U)	1			
2	31595701000	NAME PLATE ASSY (KNOB:U-LAYOUT)	1			
4	31323330100	KNOB (BLACK)	6			

# TM-ZX500 41050601295A FRAME

Pos No.	Parts No	Parts Name	Qty	Unit	Technical Data	Serial No (Start)	Serial No (End)
1	(*****)	CYLINDER,JACK (REAR/STROKE 330MM)	2				
2	(*****)	FRAME ASSY (REAR)	1				
11	31621340300	SUPPORT	2				
12	90171116050	BOLT	8		M16X50		
13	90202781600	NUT	16		M16		
15	37000539370	PLATE	2				

# TM-ZX500 41050601295A FRAME

Pos No.	Parts No	Parts Name	Qty	Unit	Technical Data	Serial No (Start)	Serial No (End)	Remarks	Pages
1	31598021500	PLATE,CAUTION	2						
2	31598021600	PLATE,NAME	1						

# TM-ZX500 41050601295A FRAME

Pos No.	Parts No	Parts Name	Qty	Unit	Technical Data	Serial No (Start)	Serial No (End)	Remarks	Pages
1	31232121100	POST	1						
2	37000177540	PIN	1						
3	80136363080	PIN,SPLIT	1		6.3X80				
4	37000209240	PIN	1						
5	31230622500	COVER	1						
6	31630302000	PLATE	1		T=1.5				
7	90101210016	BOLT	2		M10X16				
8	31630482000	PLATE	1						
9	90186208010	BOLT,FLANGE	2		M8X10				
51	31230580220	SUPPORT	2						

# TM-ZX500 41050601295A FRAME

Pos No.	Parts No	Parts Name	Qty	Unit	Technical Data	Serial No (Start)	Serial No (End)	Remarks	P
1	37001808990	ROPE,WIRE (KISWIRE)	1						

# TM-ZX500 41050601295A FRAME

Pos No.	Parts No	Parts Name	Qty	Unit	Technical Data	Serial No (Start)	Serial No (End)	Remarks
1	82105501003	SWITCH,TOGGLE	1					
2	82101940120	SWITCH,PUSH (PLATING)	1		3PJW106F-021-AB			
10	31734142110	SWITCH ASSY	1					

# TM-ZX500 41050601295A FRAME

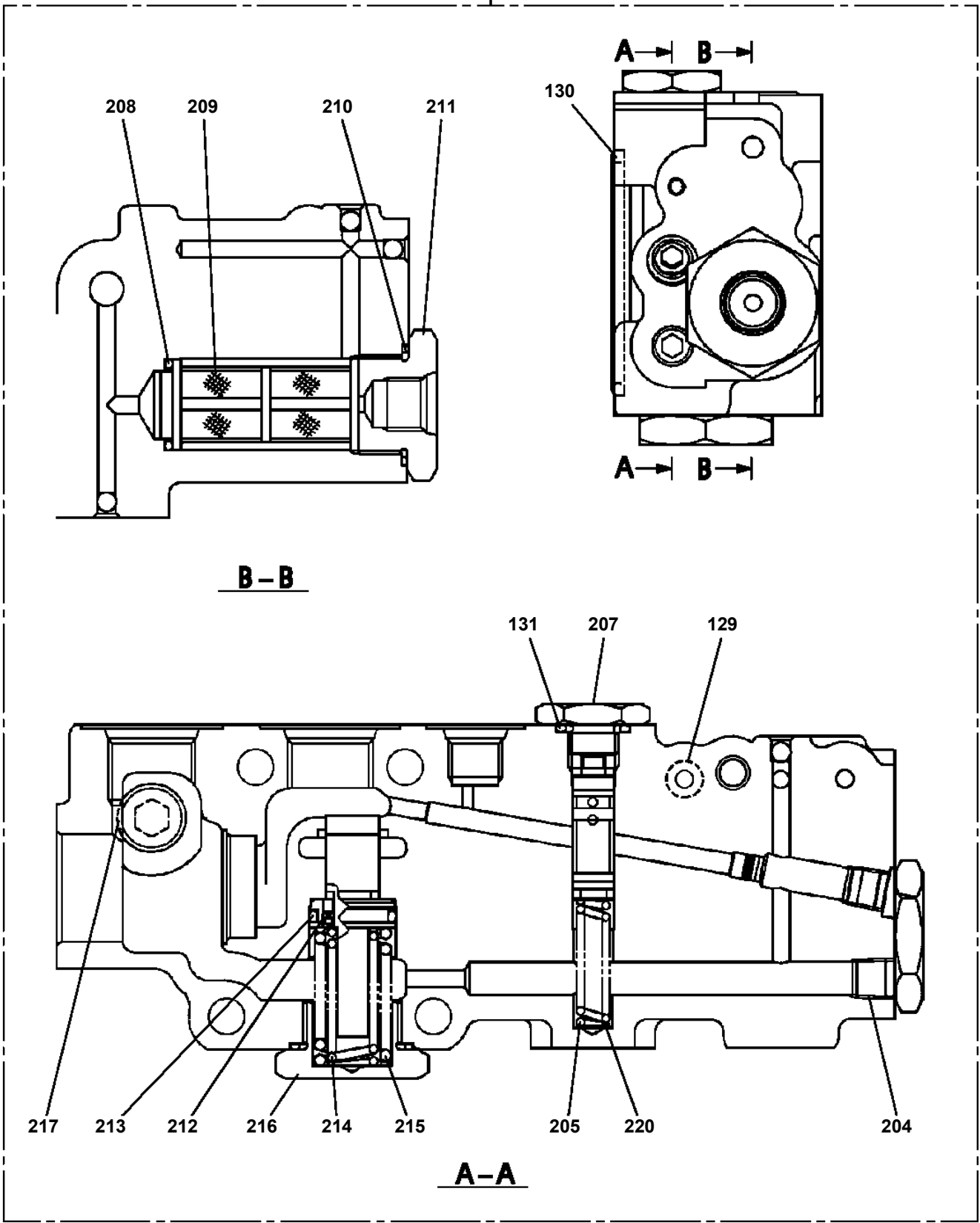
Pos No.	Parts No	Parts Name	Qty	Unit	Technical Data	Serial No (Start)	Serial No (End)	Remarks	Pages
1	36800174100	BOX	1						
2	80182306016	SCREW,MACHINE	4		M6X16				
4	36803244100	PLATE,NAME	1						
5	37002243770	PLATE,NAME	1						
31	36800175090	COVER (UPPER)	1						

## TM-ZX500 41050601295A FRAME

Pos No.	Parts No	Parts Name	Qty	Unit	Technical Data	Serial No (Start)	Serial No (End)	Remarks
4	91001101400	O-RING	2		1A P14			
7	36646865190	PISTON	1					
8	91001102000	O-RING	1		1A P20			
9	91001000800	O-RING	1		S8			
10	36648365120	SPOOL (SUB)	1					
11	91650001400	SCRAPER	1					
12	91001002240	O-RING	1		S22.4			
13	36648365110	FLANGE	1					
14	36645495210	SEAT,SPRING (RETURN)	2					
15	36645845060	SPRING (RETURN)	1					
16	36648365130	SPACER	1					
17	36633365070	ADAPTER	1					
18	36645405090	PLATE (D)	1					
19	36645615250	C-BOLT	2		M5X25			
21	91001002200	O-RING	2		S22			
23	36740745140	SCREW,MACHINE	4		M4X12			
25	91001101800	O-RING	1		1A P18			
26	36649585160	PLUG	1		G1/2			
27	91001101100	O-RING	1		1A P11			
28	36644115130	PLUG	1					
29	36633365100	SEAL,OIL	1					
30	36743005110	LINK	1					
31	36645615230	C-BOLT	2		5X12			
32	91001102100	O-RING	3		1A P21			
33	36743045010	JOINT	1					
61	36740745150	VALVE,SOLENOID (KIT)	2					
100	36743040091	VALVE ASSY,CONTROL	1					

TM-ZX500 41050601295A FRAME  
PV5150054-00 VALVE ASSY,REMOTE CONTROL

7



# TM-ZX500 41050601295A FRAME

Pos No.	Parts No	Parts Name	Qty	Unit	Technical Data	Serial No (Start)	Serial No (End)	Remarks	Pages
2	42461050200	STOPPER,TIRE	1						

**TM-ZX500 41050601295A FRAME  
PY5170080-00 ALARM ASSY**

アラームASSY (カクノウワスレ)  
ALARM ASSY

---

符号	日本語名称	英語名称	備考
1	アラームASSY	ALARM ASSY	クレーン部
2	ハイゼンASSY	ELEC. ASSY	架装部

適用製造番号によっては取り付けがないものもあります。

MACHINES OF SOME SERIAL NO. ARE NOT EQUIPPED WITH THESE PARTS.

**TM-ZX500 41050601295A FRAME  
PZ0000000-00 ELEC.ASSY (PRESSURE DETECTOR)**

**販売部品 検討中につき、イラストはありません。**

**Parts for sale : Under consideration now.  
Therefore not illustrated.**

**TM-ZX500 41050601295A FRAME  
PZ0000000-00 HARNESS**

**販売部品 検討中につき、イラストはありません。**

**Parts for sale : Under consideration now.  
Therefore not illustrated.**

**TM-ZX500 41050601295A FRAME  
PZ0000000-00 JOINT ASSY**

**販売部品 検討中につき、イラストはありません。**

**Parts for sale : Under consideration now.  
Therefore not illustrated.**

**TM-ZX500 41050601295A FRAME  
PZ0000000-00 OUTRIGGER ASSY (LEFT)**

**販売部品 検討中につき、イラストはありません。**

**Parts for sale : Under consideration now.  
Therefore not illustrated.**

**TM-ZX500 41050601295A FRAME  
PZ0000000-00 COOLER ASSY,OIL**

**販売部品 検討中につき、イラストはありません。**

**Parts for sale : Under consideration now.  
Therefore not illustrated.**

**TM-ZX500 41050601295A FRAME**  
**PZ0000000-00 WINCH ASSY (SELF WINCH,3TX1)**

**販売部品 検討中につき、イラストはありません。**

**Parts for sale : Under consideration now.  
Therefore not illustrated.**

**TM-ZX500 41050601295A FRAME  
PZ0000000-00 PIPING ASSY**

**販売部品 検討中につき、イラストはありません。**

**Parts for sale : Under consideration now.  
Therefore not illustrated.**

**TM-ZX500 41050601295A FRAME  
PZ0000000-00 ELEC.ASSY (CARRYOVER VALVE)**

**販売部品 検討中につき、イラストはありません。**

**Parts for sale : Under consideration now.  
Therefore not illustrated.**

CLICK HERE TO **DOWNLOAD** THE COMPLETE MANUAL

- Thank you very much for reading the preview of the manual.
- You can download the complete manual from: [www.heydownloads.com](http://www.heydownloads.com) by clicking the link below



- Please note: If there is no response to CLICKING the link, please download this PDF first and then click on it.

CLICK HERE TO **DOWNLOAD** THE COMPLETE MANUAL