

**TM-ZR500 31094010440A FRAME/SL,REMOTE-RADIO CONT.,HOOK-IN**  
PB000040-02 SYSTEM (ZR500,DOMESTIC)  
ASSEMBLY

CLICK HERE TO **DOWNLOAD** THE COMPLETE MANUAL

- Thank you very much for reading the preview of the manual.
- You can download the complete manual from: [www.heydownloads.com](http://www.heydownloads.com) by clicking the link below



- Please note: If there is no response to CLICKING the link, please download this PDF first and then click on it.

CLICK HERE TO **DOWNLOAD** THE COMPLETE MANUAL

TM-ZR500 31094010440A FRAME/SL,REMOTE-RADIO CONT.,HOOK-IN  
PB1020013-00 PUMP ASSY (SELECTION)

- PUMP ASSY
- ポンプASSYの選定

指示番号 key No.	PUMP MODEL ポンプ型式番号	RUNNING DIRECTION 回転方向
1	SGP2-44D2H9-L639	COUNTERCLOCKWISE 左
2	SGP2-36D2H9-L638	COUNTERCLOCKWISE 左
3	SD-3632G2H9-L700 OPTION, TWIN: PUMP オプション, 2連ポンプ	COUNTERCLOCKWISE 左

[NOTE]

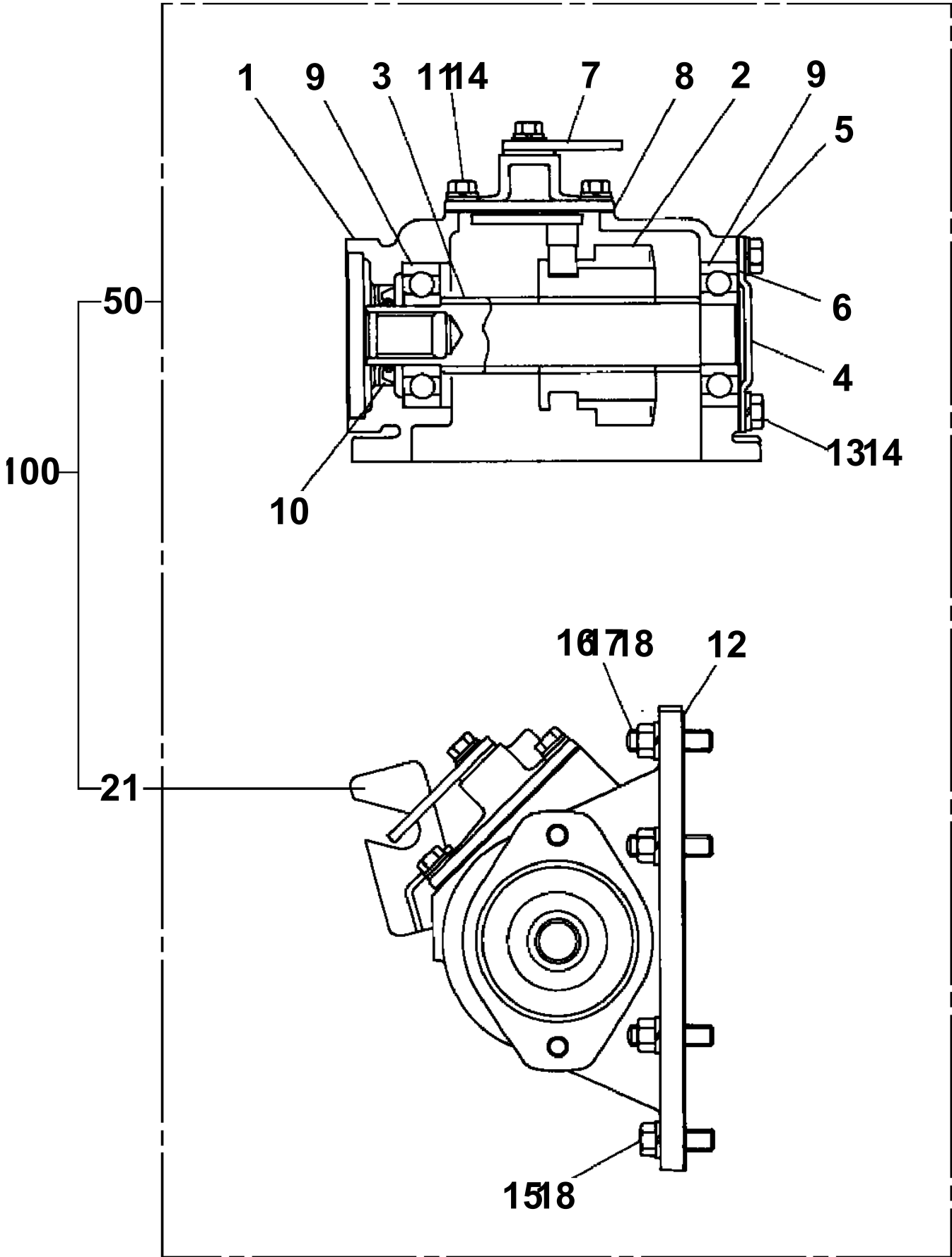
(1) PUMP MODEL NOS. ARE PUNCHED ON PUMP NAMEPLATE.

(2) THE PUMP RUNNING DIRECTION IS VIEWED FROM THE SHAFT TOWARD THE PUMP.

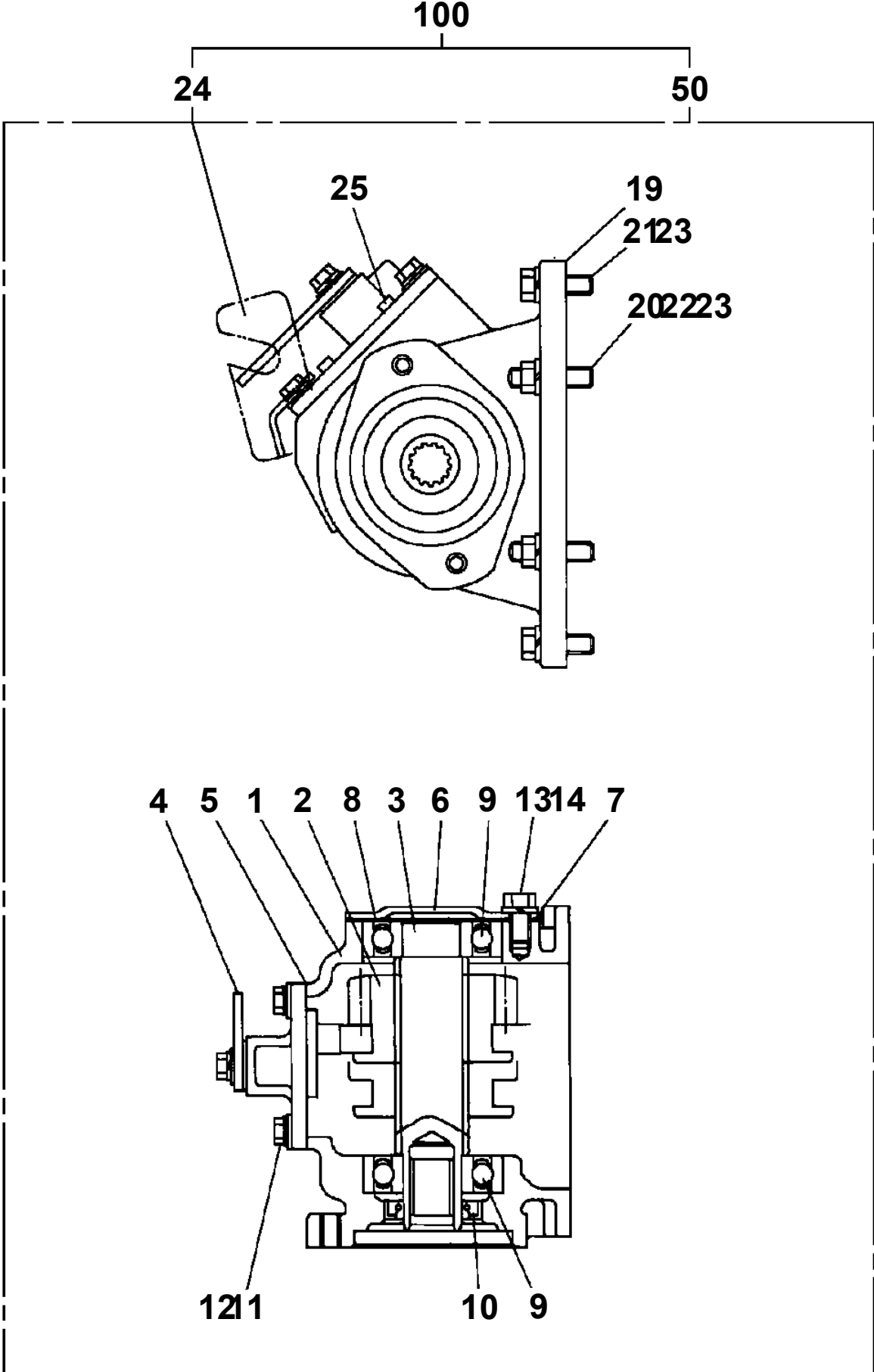
[注意]

- (1) ポンプ型式番号はポンプ本体の銘板に打刻しています。
- (2) ポンプの回転方向はポンプの軸端から見ての回転方向です。

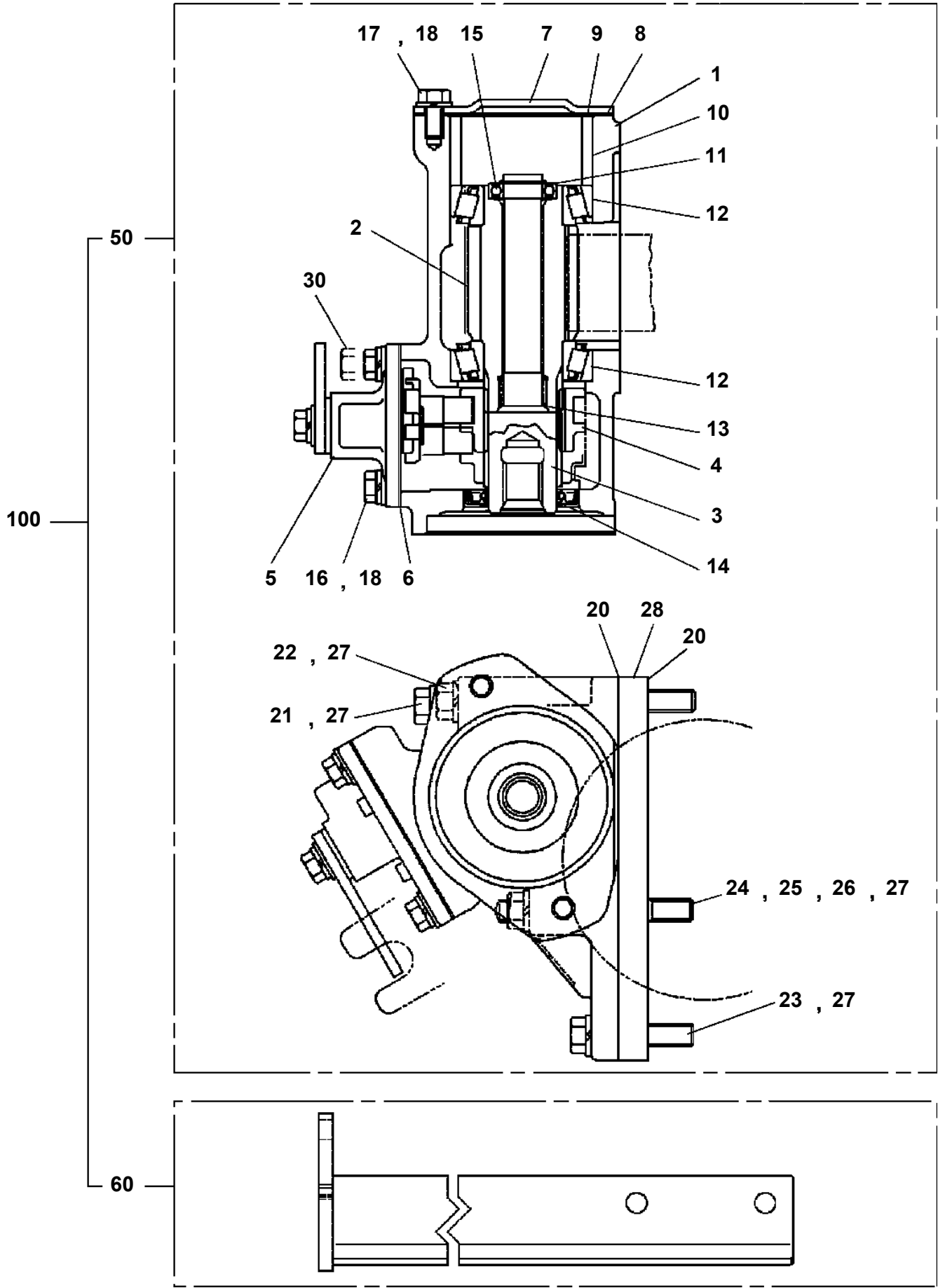
TM-ZR500 31094010440A FRAME/SL,REMOTE-RADIO CONT.,HOOK-IN  
PB1030116-01 POWER TAKE OFF



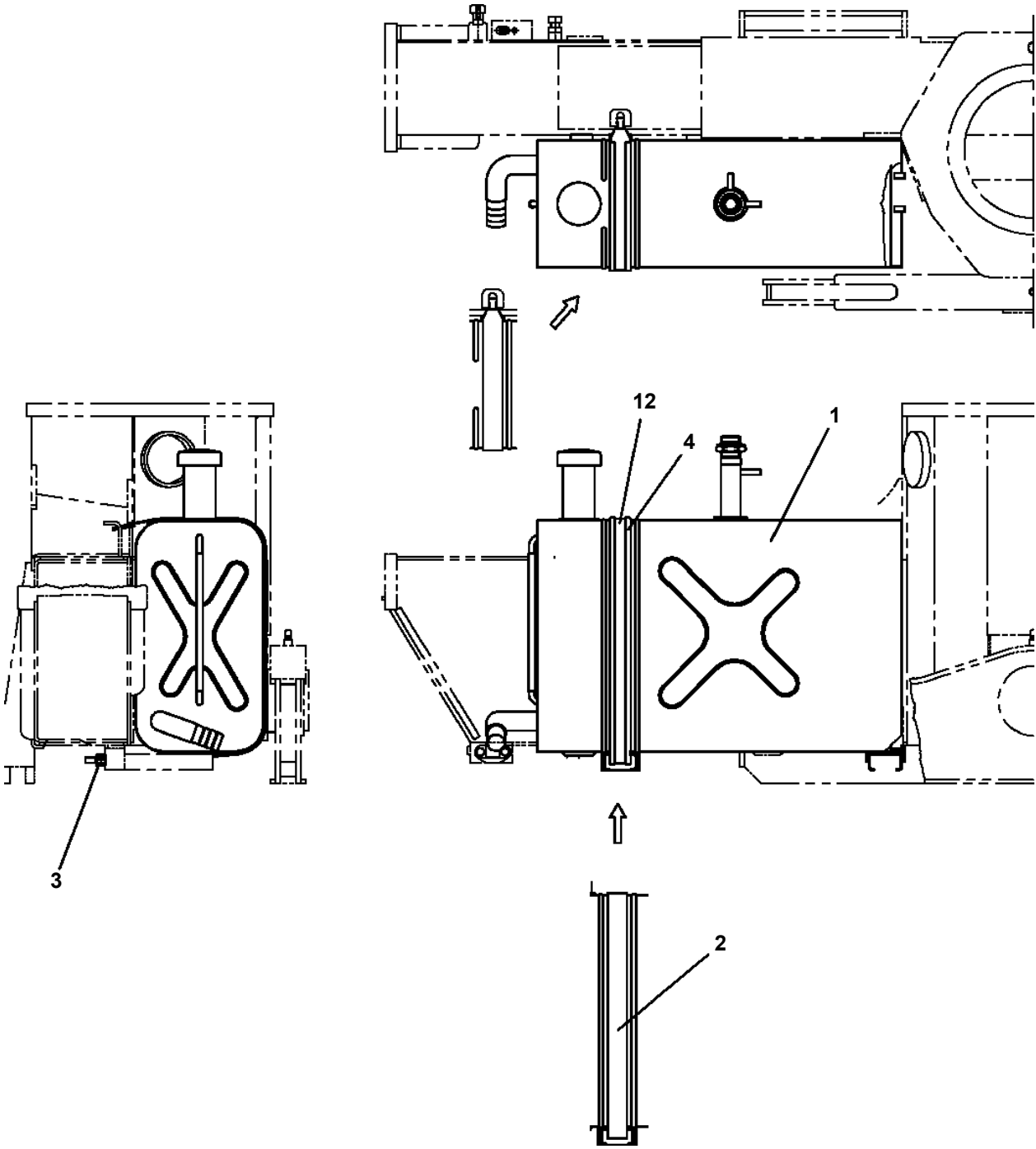
TM-ZR500 31094010440A FRAME/SL,REMOTE-RADIO CONT.,HOOK-IN  
PB1030141-01 POWER TAKE OFF



TM-ZR500 31094010440A FRAME/SL,REMOTE-RADIO CONT.,HOOK-IN  
PB1030234-01 POWER TAKE OFF

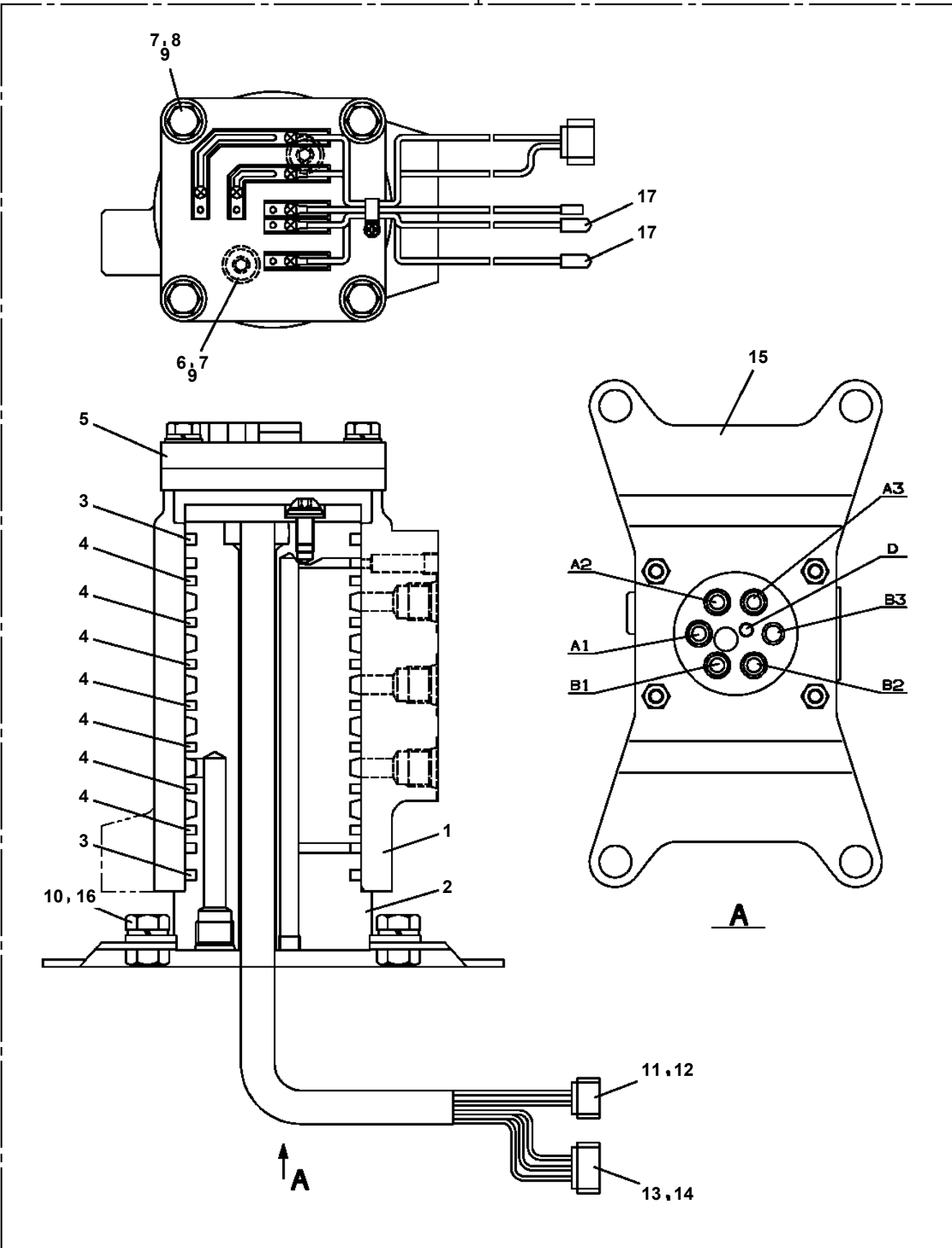


TM-ZR500 31094010440A FRAME/SL,REMOTE-RADIO CONT.,HOOK-IN  
PB1130217-01 TANK,OIL (MOUNT)



TM-ZR500 31094010440A FRAME/SL,REMOTE-RADIO CONT.,HOOK-IN  
PB1300528-00 JOINT,ROTARY

50



# TM-ZR500 31094010440A FRAME/SL,REMOTE-RADIO CONT.,HOOK-IN

Pos No.	Parts No	Parts Name	Qty	Unit	Technical Data	Serial No (Start)	Serial No (End)	Remarks	Pa
1	37002456880	HOSE	2		L=400				
2	91002801400	O-RING	12		1B P14		EW3234		
	91002801400	O-RING	8		1B P14	EW3235			
3	37002468770	HOSE	1		L=1560				
4	37002468780	HOSE	1		L=1500				
5	37000805200	JOINT	1						
6	91803880070	CLIP	2		D=13.1-16.2				
7	37002513830	HOSE	1		L=630				
8	80481103030	JOINT	4		L,G3/8-G3/8		EW3234		
9	37000926410	JOINT	2				EW3234		
	37000931680	JOINT	2			EW3235			
10	37002468790	HOSE	1		L=780				
	37002480740	HOSE	1		L=780				
11	37002463570	HOSE	1		L=750				
	37002480710	HOSE	1		L=750				
12	37000801760	JOINT	1						
13	82100001412	TUBE, SPIRAL	1	M	SE-12BK	EW4066			
28	80430620600	JOINT (WITH O-RING)	4		L,G3/8-G3/8	EW3235			
31	91002801400	O-RING	4		1B P14	EW3235			

# TM-ZR500 31094010440A FRAME/SL,REMOTE-RADIO CONT.,HOOK-IN

Pos No.	Parts No	Parts Name	Qty	Unit	Technical Data	Serial No (Start)	Serial No (End)
1	81408000100	PIPE,STEEL	2	M	10X1.2T		
2	31644592100	JOINT,ROTARY	1				
3	80400160182	JOINT (WITH O-RING)	1				
4	36648770000	VALVE,REMOTE CONTROL (MAIN/NACHI)	1				
5	81408000100	PIPE,STEEL	2	M	10X1.2T		
6	80302090101	FITTING	3		KCO10-020N		
7	91002801100	O-RING	5		1B P11		
8	37002510990	HOSE	1		L=310		
9	90201780800	NUT	4		M8		
10	90302040801	WASHER,SPRING	6		8		
11	90186208014	BOLT,FLANGE	1		M8X14		
12	80303130081	FITTING,ELBOW	2		KLO08-020E		
13	81408000081	PIPE,STEEL	2	M	8X1.2T		
14	81408000081	PIPE,STEEL	2	M	8X1.2T		
15	36062800000	CYLINDER,ACCELERATOR	1				
16	90101208100	BOLT	2		M8X100		
17	37000312580	SLEEVE	2				
18	90101208035	BOLT	1		M8X35		
19	37005700130	CLAMP	1		10X2		
20	90280200800	NUT,FLANGE	1		M8		
21	80302090081	FITTING	2		KCO80-020N		
22	80400160131	JOINT	1				
23	91002801800	O-RING	1		1B P18		
24	31490000210	PLATE,CAUTION	1				
41	91002801800	O-RING	1		1B P18		
51	91002801100	O-RING	2		1B P11		

# TM-ZR500 31094010440A FRAME/SL,REMOTE-RADIO CONT.,HOOK-IN

Pos No.	Parts No	Parts Name	Qty	Unit	Technical Data	Serial No (Start)	Serial No (End)	Remarks	Pa
1	31612800100	OUTRIGGER (RIGHT)	1						000
2	31612800200	OUTRIGGER (LEFT)	1						000
3	37000165470	PIN	2						
4	90101210018	BOLT	4		M10X18				
5	90302041001	WASHER,SPRING	4		10				
6	90303071001	WASHER,PLAIN	2		10				

# TM-ZR500 31094010440A FRAME/SL,REMOTE-RADIO CONT.,HOOK-IN

Pos No.	Parts No	Parts Name	Qty	Unit	Technical Data	Serial No (Start)	Serial No (End)	Rema
1	31611650110	COVER	1					
2	90186208014	BOLT,FLANGE	2		M8X14			
3	37000166270	PIN	1					
4	80601110350	RING,RITAINING	2		S35			
5	90171110020	BOLT	4		M10X20			
6	31612800010	PLATE	2					
7	31612800020	SPRING	2					
8	31613062000	CASE,OUTER (LEFT)	1					
9	31613060500	CASE,INNER (LEFT)	1					
10	(*****)	OUTRIGGER ASSY	1					
11	37000108350	PIN	1					
12	80602110350	RING,RITAINING	2		R35			
13	31201770100	PLATE,SLIDE	8		T=3.0			
14	37000104130	PIN	1					
15	31200030530	PLATE	1					
16	90191210020	BOLT	2		M10X20			
17	90302041001	WASHER,SPRING	6		10			
18	31611655000	FLOAT ASSY	1					
19	82401800100	PLUG (FOR M10)	1					
20	31611300600	PLATE,NAME (YELLOW)	2					
21	31611300500	PLATE,NAME (WHITE)	2					
22	36042150000	CYLINDER,EXTENSION (LEFT)	1					
23	37000135640	PIN	1					
24	80601110200	RING,RITAINING	2		S20			
25	37002217610	PLATE,CAUTION (CAUTION)	2					
26	37000150360	PIN	1					
27	80601110150	RING,RITAINING	2		15			
28	80530000225	BEARING,BALL (KOYO)	2					
	31620582020	BEARING,BALL (KOYO)	2			EW9478	EW9477	
41	31610055010	TRUNNION	1					
55	31612809530	SUPPORT (SET)	1					
100	31613060200	OUTRIGGER (LEFT/H=750)	1					

# TM-ZR500 31094010440A FRAME/SL,REMOTE-RADIO CONT.,HOOK-IN

Pos No.	Parts No	Parts Name	Qty	Unit	Technical Data	Serial No (Start)	Serial No (End)	Remarks	Pa
1	31613170100	OUTRIGGER (RIGHT)	1						000
2	31613170200	OUTRIGGER (LEFT)	1						000
3	37000165470	PIN	2						
4	90101210018	BOLT	4		M10X18				
5	90302041001	WASHER,SPRING	4		10				
6	90303071001	WASHER,PLAIN	2		10				

# TM-ZR500 31094010440A FRAME/SL,REMOTE-RADIO CONT.,HOOK-IN

Pos No.	Parts No	Parts Name	Qty	Unit	Technical Data	Serial No (Start)	Serial No
1	(*****)	CYLINDER,JACK (REAR/STROKE 430MM)	2				
11	31478091550	CASE,OUTER	1				
12	31622102000	CASE,INNER	2				
13	31621343000	CASE (LEFT H=555)	1				
14	31621344000	CASE (RIGHT H=555)	1				
15	31622103000	SUPPORT	1				
16	31622104000	SUPPORT	1				
17	90171118040	BOLT	8		M18X40		
18	90302041801	WASHER,SPRING	8		18		
19	31200713400	SHIM	2		T=0.6		
20	31621340401	COVER	2				
21	90186208016	BOLT,FLANGE	4		M8X16		
22	37000162930	PIN	2				
23	80314110060	NUT	4		PT10		
24	80314120060	SLEEVE	4		PT10		
25	31620386000	BOLT	2				
26	90203252000	NUT	2				
27	37000300170	SPACER	4		L=16		
28	42310210500	PIN	2				
29	37000308620	SPACER	4				
31	37003100030	GRIP	2				
32	37001200720	SPRING	2				
33	31621340200	PIN	2				
34	31621340100	PLATE	2				
35	90172112030	BOLT,HEXAGON SOCKET	12		M12X30		
36	90302401201	WASHER,SPRING (12)	12				
37	31620437000	GUIDE	8				
38	90101210025	BOLT	8		M10X25		
39	90302041001	WASHER,SPRING	12		10		
40	81408000130	PIPE,STEEL	4	M	10X1.8T		
44	80314130080	FITTING	4		PA10PT1/4		
45	82456201000	NIPPLE,GREASE	2		A-TYPE PT1/8		
46	82400000459	CAP	2				
47	80601110200	RING,RITAINING	8		S20		
48	37001100660	ROLLER ASSY	6				
49	37000303100	SPACER	2		L=129		
61	31621340300	SUPPORT	2				
62	90171116050	BOLT	8		M16X50		
63	90202781600	NUT	16		M16		
65	37000539370	PLATE	2				
71	31622141200	PIN ASSY	2				
81	31642900100	PIPE ASSY (LEFT)	1				
82	31642900200	PIPE ASSY (RIGHT)	1				
83	37002408200	HOSE	4		L=1060		
84	44340295000	JOINT,SWIVEL	4		PT1/4XPF1/4		
85	90101210020	BOLT	4		M10X20		
91	44340297520	REPAIR KIT (O-RINGX2 BACKUPX2SEALX2)	4				
122	80516006004	BEARING,BALL	6				

## TM-ZR500 31094010440A FRAME/SL,REMOTE-RADIO CONT.,HOOK-IN

Pos No.	Parts No	Parts Name	Qty	Unit	Technical Data	Serial No (Start)	Serial No (End)	Remarks	P
1	31624981000	CASE,OUTER	1						
2	31624982000	CASE,INNER	1						
3	31624983000	CASE,INNER	1						
4	31622004000	SUPPORT (LEFT)	1						
5	31622005000	SUPPORT (RIGHT)	1						
6	31621510100	SUPPORT	2						
8	31622000100	SUPPORT	4						
9	90186208014	BOLT,FLANGE	8		M8X14				
10	90186208010	BOLT,FLANGE	12		M8X10				
11	82456101000	NIPPLE,GREASE	2		A-PT1/8				
12	31622000200	COVER	2						
13	90203201600	NUT	2		M16				
14	90101216045	BOLT	2		M16X45		EW7537		
15	90142714025	BOLT,STUD	8						
16	90302041401	WASHER,SPRING	8		14				
17	90201481400	NUT	8		M14				
18	82458102000	NIPPLE,GREASE	2		B-PT1/8				
19	80601110150	RING,RITAINING	4		15				
20	31620582020	BEARING,BALL (KOYO)	6						
21	37000134180	PIN	2						
22	82400000459	CAP	4						
23	37003100030	GRIP	2						
24	37000309980	SPACER	2		L=60				
25	37000161010	PIN	2						
26	31621962100	SUPPORT	4						
27	31621962200	PLATE	12		T=0.5				
28	31621340200	PIN	2						
29	37001200720	SPRING	2						
34	90720716450	SCREW,SET	2		M16X45	EW7538			
42	31620580100	PIN ASSY	2						
53	31623679510	SUPPORT ASSY	2						

# TM-ZR500 31094010440A FRAME/SL,REMOTE-RADIO CONT.,HOOK-IN

Pos No.	Parts No	Parts Name	Qty	Unit	Technical Data	Serial No (Start)	Serial No (End)	Rem
1	36042141000	CYLINDER (RIGHT)	1					
2	90201201800	NUT	1		M18			
3	91100104000	SEAL,RING	1					
4	36041070400	PISTON	1				EW6748	
	36043560100	PISTON	1			EW6749		
5	36042142000	ROD	1				EW6748	
	36042142001	ROD	1			EW6749		
6	36041541000	COVER,ROD	1					
7	91002803900	O-RING	1		1B P39			
8	91694003000	PACKING	1					
9	91411203001	RING,BACKUP	1					
10	91660003001	SEAL,DUST	1					
11	91002802000	O-RING	1		1B P20	EW6749		
30	36041699900	PACKING SET	1		30X40		EW6748	
40	36043569900	PACKING SET	1		30X40	EW6749		
50	36042140000	CYLINDER,EXTENSION (RIGHT)	1					

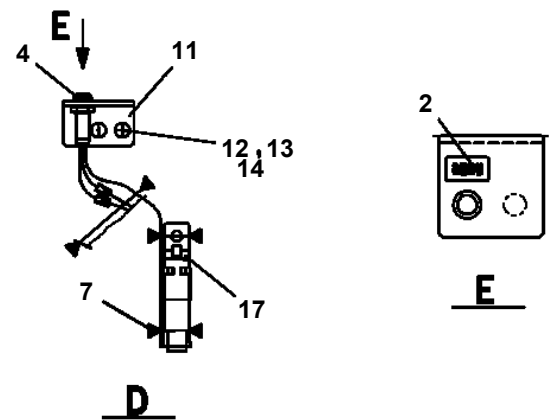
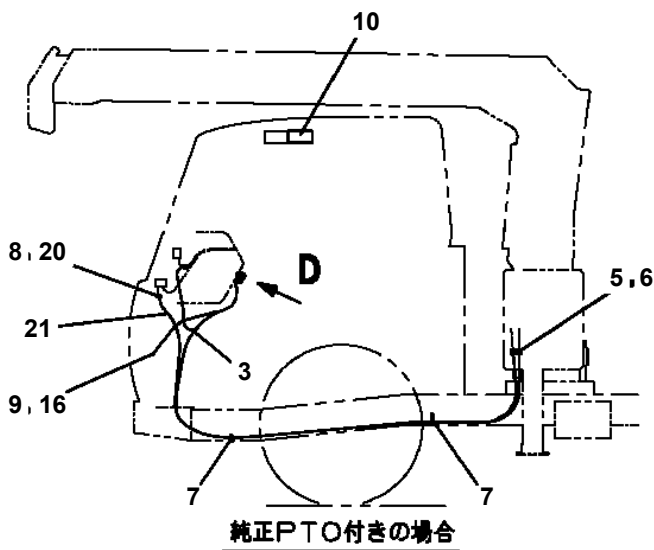
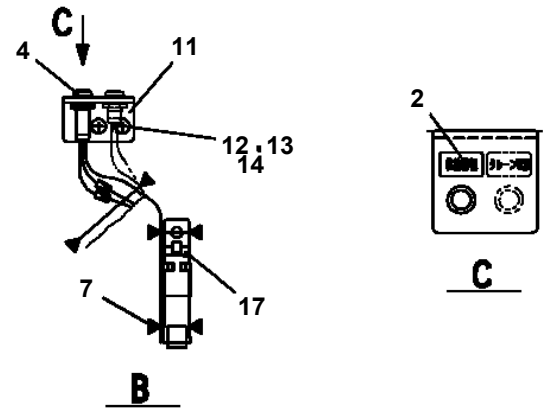
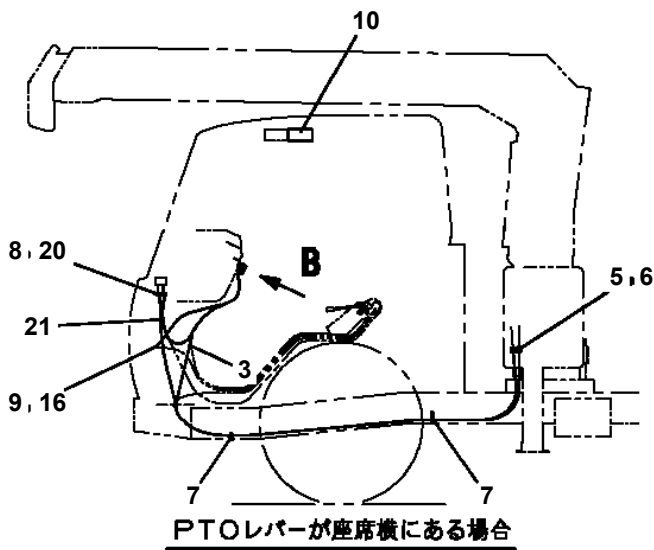
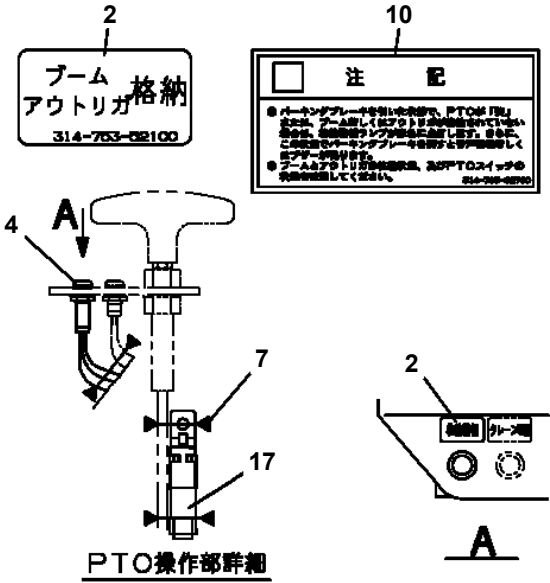
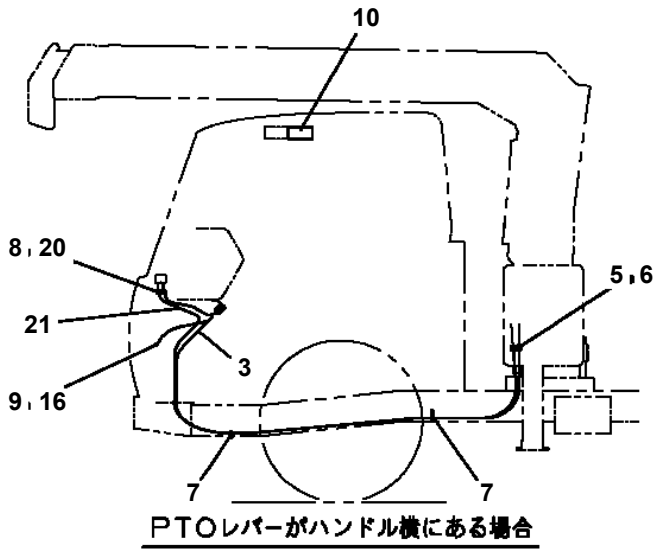
## TM-ZR500 31094010440A FRAME/SL,REMOTE-RADIO CONT.,HOOK-IN

Pos No.	Parts No	Parts Name	Qty	Unit	Technical Data	Serial No (Start)	Serial No (End)	Remarks
1	31648860010	PIPE	1					
2	31648860020	PIPE	1					
3	31648860030	PIPE	1					
4	31648860040	PIPE	1					
5	80303130101	FITTING,ELBOW	2		KLO10-020E			
6	80302090101	FITTING	2		KCO10-020N			
7	31611613101	POWER SUPPLY	1					
8	90172108018	BOLT,HEXAGON SOCKET	4		M8X18			
9	90302040801	WASHER,SPRING	6		8			
10	91002801100	O-RING	2		1B P11			
11	31645360100	SUPPORT	1					
12	90186210014	BOLT,FLANGE	4		M10X14			
13	37005700130	CLAMP	2		10X2			
14	90101208035	BOLT	2		M8X35			
15	90303070801	WASHER,PLAIN	2		8			
31	91002801100	O-RING	2		1B P11			

# TM-ZR500 31094010440A FRAME/SL,REMOTE-RADIO CONT.,HOOK-IN

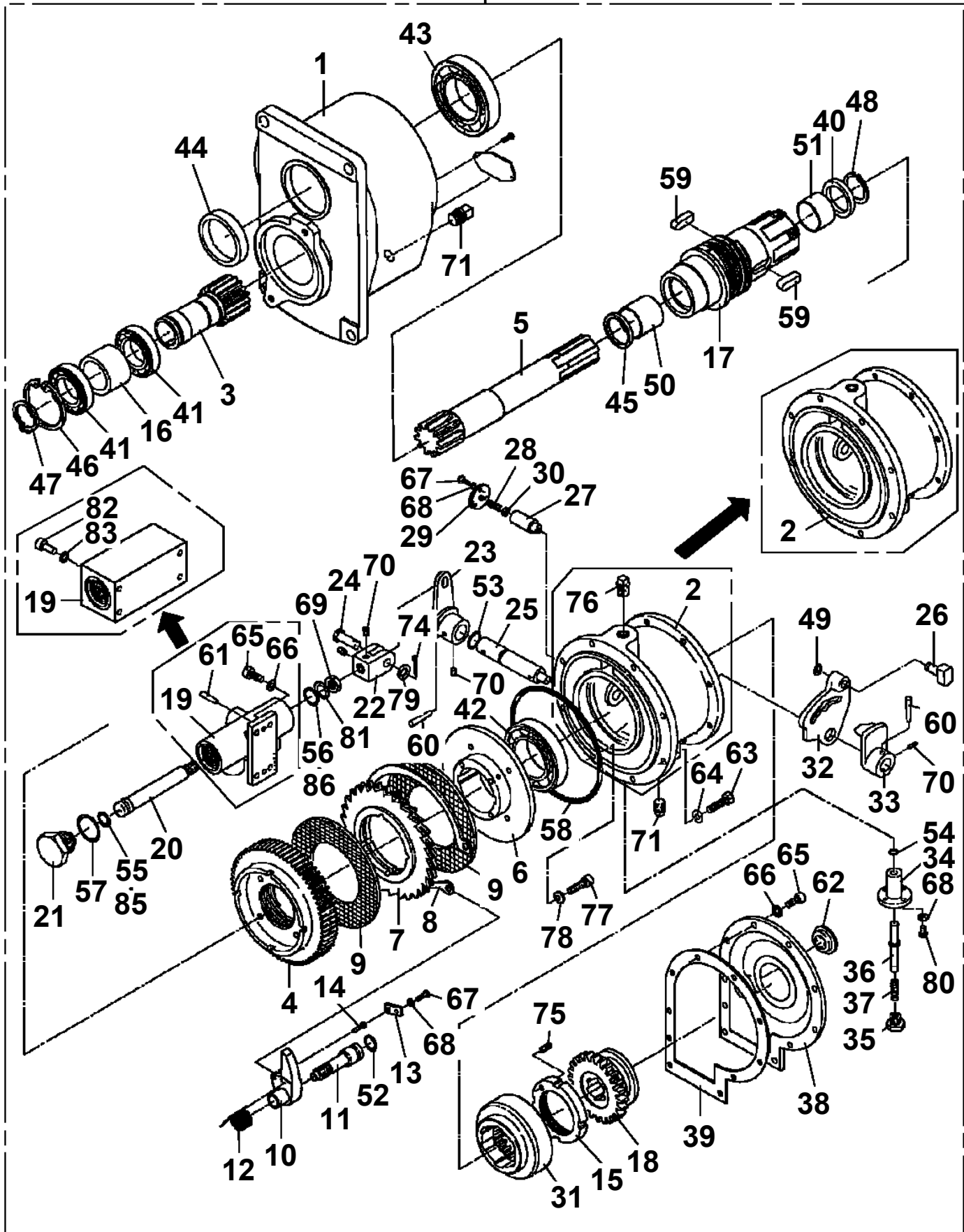
Pos No.	Parts No	Parts Name	Qty	Unit	Technical Data	Serial No (Start)	Serial No (End)	Rema
1	37002304130	BEARING,SWING (NSK)	1				EW5988	
	37002304820	BEARING,SWING (KOYO)	1					
2	37001507220	BOLT	25		M20X85			
3	37001508780	BOLT	10		M20X50			
4	90171116045	BOLT	5		M16X45			
5	90302041601	WASHER,SPRING	5		16			
6	36081380000	REDUCER,SWING SPEED	1					
7	91001208500	O-RING	1		1A G85			
8	90172112035	BOLT,HEXAGON SOCKET	2		M12X35			
9	90302041201	WASHER,SPRING	2		12			
10	36662380000	MOTOR,HYDRAULIC (SWING)	1					
11	90303502001	WASHER,PLAIN	21		20			

TM-ZR500 31094010440A FRAME/SL,REMOTE-RADIO CONT.,HOOK-IN  
PE5021179-00 ELEC.ASSY (MOUNTING VEHICLE)

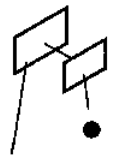
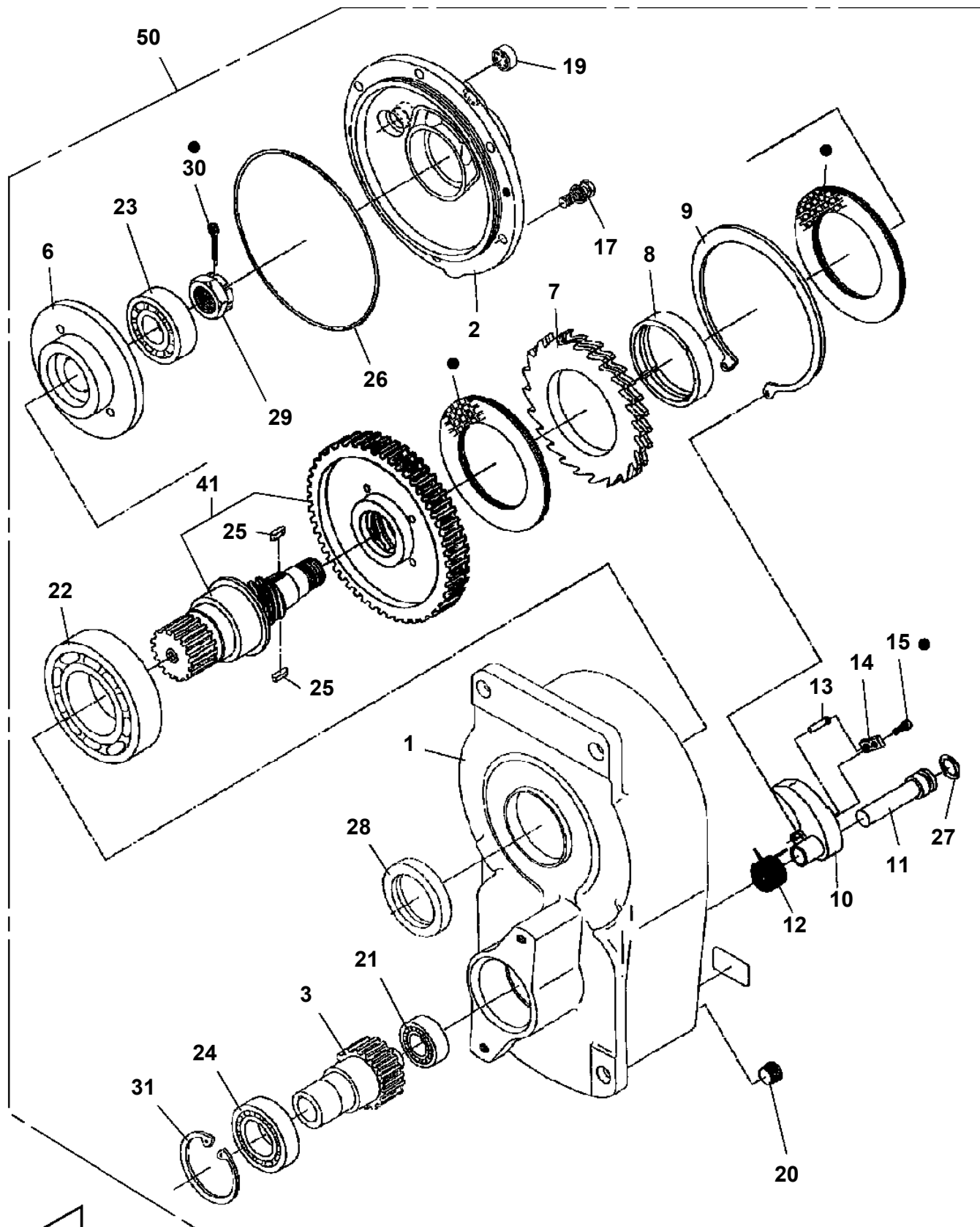


TM-ZR500 31094010440A FRAME/SL,REMOTE-RADIO CONT.,HOOK-IN  
PF1010133-01 WINCH (DRUM FREE)

100



**TM-ZR500 31094010440A FRAME/SL,REMOTE-RADIO CONT.,HOOK-IN  
PF1010237-01 WINCH (OOKUBO)**



● Protective seal  
 ● Replacement interval name plate

● : FACING KIT KEY NO.101 ( JAPANESE )  
 ● : FACING KIT KEY NO.102 ( ENGLISH )

**TM-ZR500 31094010440A FRAME/SL,REMOTE-RADIO CONT.,HOOK-IN**

Pos No.	Parts No	Parts Name	Qty	Unit	Technical Data	Serial No (Start)	Serial
1	(*****)	MOUNT,WINCH (4T SELF)	1				
2	(*****)	OPE.ASSY,CLUTCH (SL WINCH,RADIO CONTROL)	1				
3	(*****)	PIPING,WINCH (4TON SELF)	1				
4	(*****)	ELEC.ASSY (SL,F-RADIO CONTROL/SWITCH)	1				
5	(*****)	PLATE ASSY.NAME (ACC.,CLUTCH,SL WINCH)	1				
7	(*****)	HOOK (SELF, 4TONX1-PART LINE)	1				

# TM-ZR500 31094010440A FRAME/SL,REMOTE-RADIO CONT.,HOOK-IN

Pos No.	Parts No	Parts Name	Qty	Unit	Technical Data	Serial No (Start)	Serial No (End)	Remarks	Pages
1	53037260010	STOPPER ASSY	1						
10	53037260000	HOOK	1						

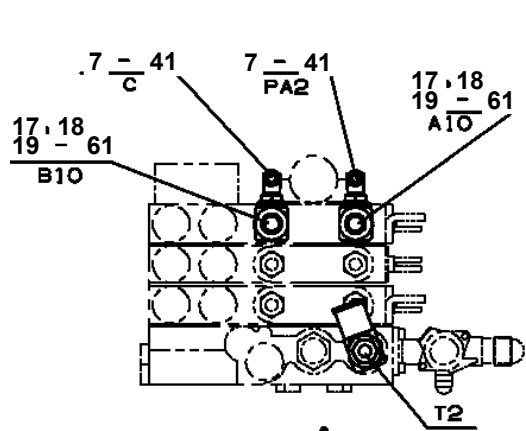
**TM-ZR500 31094010440A FRAME/SL,REMOTE-RADIO CONT.,HOOK-IN**

Pos No.	Parts No	Parts Name	Qty	Unit	Technical Data	Serial No (Start)	Serial No (End)
1	36090610000	HOOK (WITH STOPPER)	1				
2	83151211201	CLIP	1				
3	83151111201	CLIP	1				
4	37001806210	ROPE,WIRE	1		12X27M		
5	37002600220	WEDGE	1		12.5		
11	36090615010	STOPPER ASSY (WITH SPRING & PIN)	1				

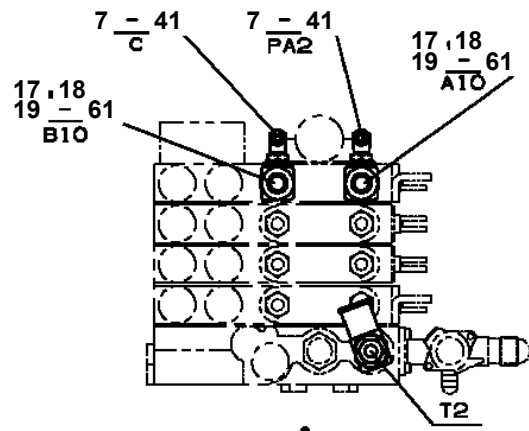
**TM-ZR500 31094010440A FRAME/SL,REMOTE-RADIO CONT.,HOOK-IN**

Pos No.	Parts No	Parts Name	Qty	Unit	Technical Data	Serial No (Start)	Serial No (End)
1	(*****)	HOOK	1				
2	(*****)	PLATE ASSY,NAME (1-PART LINE OPE.)	1				
3	(*****)	DETECTOR,OVER WINDING	1				

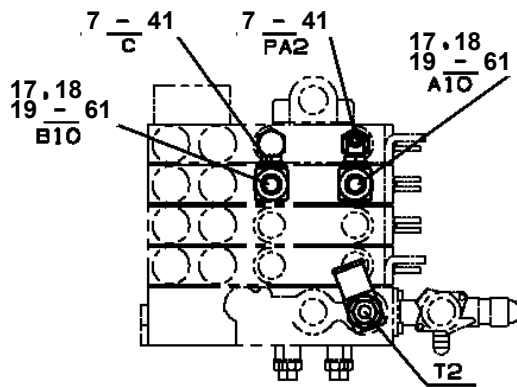
TM-ZR500 31094010440A FRAME/SL,REMOTE-RADIO CONT.,HOOK-IN  
PF1200293-04 PIPING,WINCH (3TON SELF)



**A**  
ZR500SL  
(3-BLOCK VALVE)  
RADIO CONTROL SPEC.



**A**  
ZR500SL  
(4-BLOCK VALVE)  
MANUAL SPEC.



**A**  
ZE500SL

# TM-ZR500 31094010440A FRAME/SL,REMOTE-RADIO CONT.,HOOK-IN

Pos No.	Parts No	Parts Name	Qty	Unit	Technical Data	Serial No (Start)	Serial No (End)	Remarks
1	36662650000	MOTOR,HYDRAULIC	1					
2	90302041201	WASHER,SPRING	6		12			
3	90172112035	BOLT,HEXAGON SOCKET	2		M12X35			
4	36072800000	WINCH (SELF)	1					
5	31311131000	GUARD	1					
6	90171116040	BOLT	8		M16X40		EW9991	
	90171116045	BOLT	8		M16X45	EW9992		
7	90302041601	WASHER,SPRING	8		16			
8	91000515200	O-RING	1		AS568-152			
10	14124015000	BOLT	3					
11	90201201200	NUT	6		M12			
12	90101212020	BOLT	4		M12X20			
13	37000136790	PIN ASSY	1					
14	90303071201	WASHER,PLAIN	2		12			
15	80136340020	PIN,SPLIT	1		4X20			
16	31322224200	PLATE	2		L=1			
17	37001300250	SPRING	3					
31	31311139520	SUPPORT ASSY	1					
32	31311139510	ROLLER ASSY	1					
33	31311130530	PIN	1					
34	80516006203	BEARING,BALL	2					
41	80136340020	PIN,SPLIT	1		4X20			
42	37000136800	PIN	1					

# TM-ZR500 31094010440A FRAME/SL,REMOTE-RADIO CONT.,HOOK-IN

Pos No.	Parts No	Parts Name	Qty	Unit	Technical Data	Serial No (Start)	Serial No (End)
1	(*****)	GUIDE,ROPE (RETAINING WIRE ROPE,1-PART)	1				
2	(*****)	HOOK	1				
3	(*****)	DETECTOR,OVER WINDING (RETAINING WIRE RO	1				
4	(*****)	PLATE ASSY,NAME (1-PART LINE OPE.)	1				

**TM-ZR500 31094010440A FRAME/SL,REMOTE-RADIO CONT.,HOOK-IN**

Pos No.	Parts No	Parts Name	Qty	Unit	Technical Data	Serial No (Start)	Serial No (End)	Remark
1	31477172500	HARNESS	1		L=440			
2	91810130240	FASTENER	3					
3	91850310405	CLAMP (BLACK)	2					
4	31477172400	HARNESS	1		L=440			
5	80182306014	SCREW,MACHINE	3		M6X14			
6	90302040601	WASHER,SPRING	3		6			
7	31477172600	ROPE ASSY	1		L=1480			
8	31371922000	SWITCH ASSY (ASSY ONLY)	1					
9	90303070601	WASHER,PLAIN	2		6			

# TM-ZR500 31094010440A FRAME/SL,REMOTE-RADIO CONT.,HOOK-IN

Pos No.	Parts No	Parts Name	Qty	Unit	Technical Data	Serial No (Start)	Serial No (End)	Remarks	Pages
1	31360741200	HARNESS	1						

# TM-ZR500 31094010440A FRAME/SL,REMOTE-RADIO CONT.,HOOK-IN

Pos No.	Parts No	Parts Name	Qty	Unit	Technical Data	Serial No (Start)	Serial No (End)	Remarks	Pages
100	31478092100	HARNESS	1						

**TM-ZR500 31094010440A FRAME/SL,REMOTE-RADIO CONT.,HOOK-IN**

Pos No.	Parts No	Parts Name	Qty	Unit	Technical Data	Serial No (Start)	Serial No (End)	Remarks	Pa
2	36661485030	KEY	1						
3	91000504100	O-RING	3						
5	91000503800	O-RING	1						
9	36660645140	SEAL	1						
11	36660645130	SEAL	1						
12	36662295010	SEAL,DUST	1						
13	36662295020	SEAL,OIL	1						
16	36662295030	SEAL,SHAFT	1						
19	36662655020	GEAR (VALVE DRIVE)	1						
20	91000501100	O-RING	3						
31	36662655010	SEAL KIT	1						
50	36662650000	MOTOR,HYDRAULIC	1						

# TM-ZR500 31094010440A FRAME/SL,REMOTE-RADIO CONT.,HOOK-IN

Pos No.	Parts No	Parts Name	Qty	Unit	Technical Data	Serial No (Start)	Serial No (End)	Remarks
100	36611440000	VALVE,FLOW CONTROL	1					

CLICK HERE TO **DOWNLOAD** THE COMPLETE MANUAL

- Thank you very much for reading the preview of the manual.
- You can download the complete manual from: [www.heydownloads.com](http://www.heydownloads.com) by clicking the link below



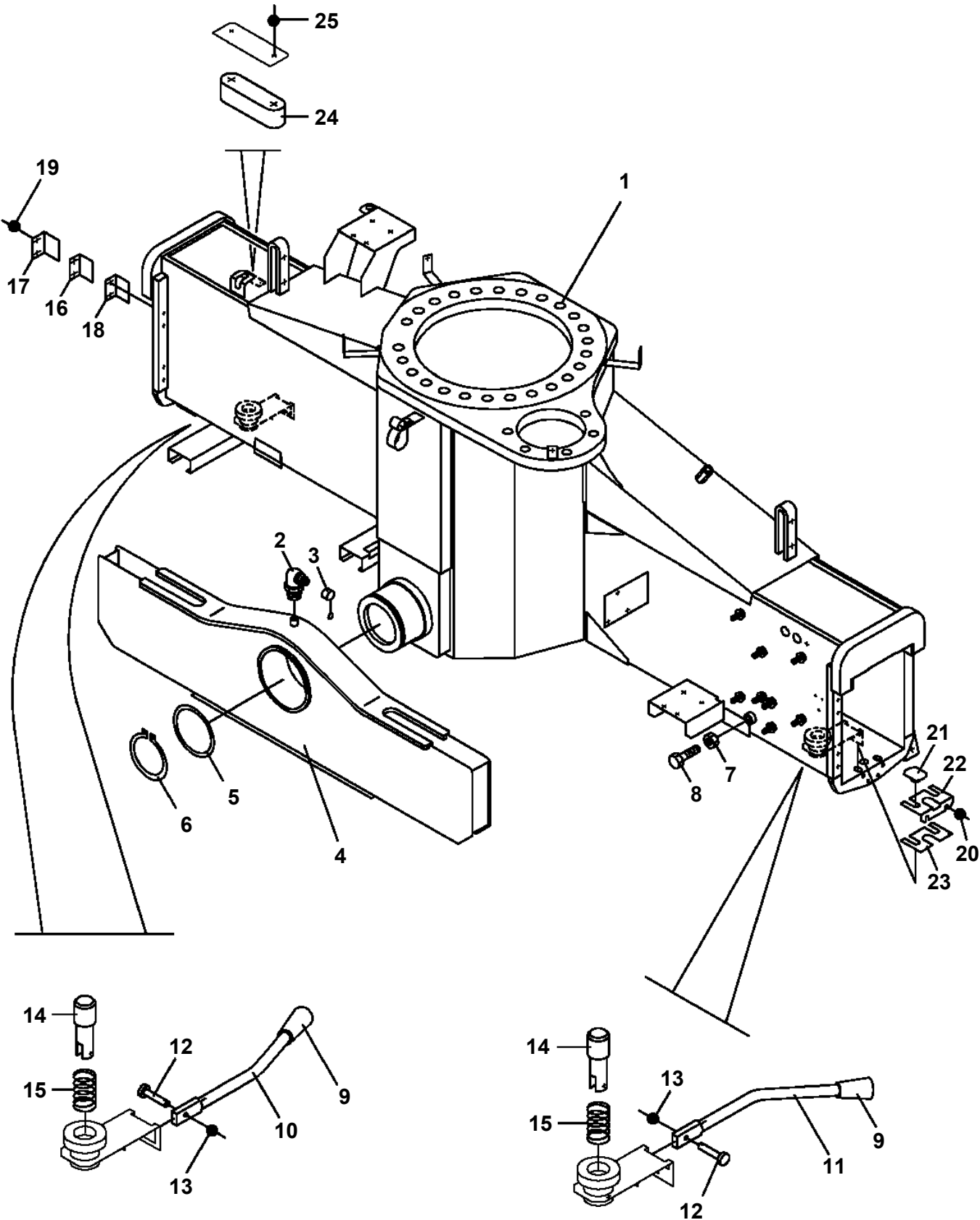
- Please note: If there is no response to CLICKING the link, please download this PDF first and then click on it.

CLICK HERE TO **DOWNLOAD** THE COMPLETE MANUAL

**TM-ZR500 31094010440A FRAME/SL,REMOTE-RADIO CONT.,HOOK-IN**

Pos No.	Parts No	Parts Name	Qty	Unit	Technical Data	Serial No (Start)	Serial No (End)	Remarks
1	36672590000	FILTER,OIL (CARTRIDGE)	1					
3	36672395020	COVER,HEAD	1					
10	36672390000	FILTER,OIL (WAKO)	1					

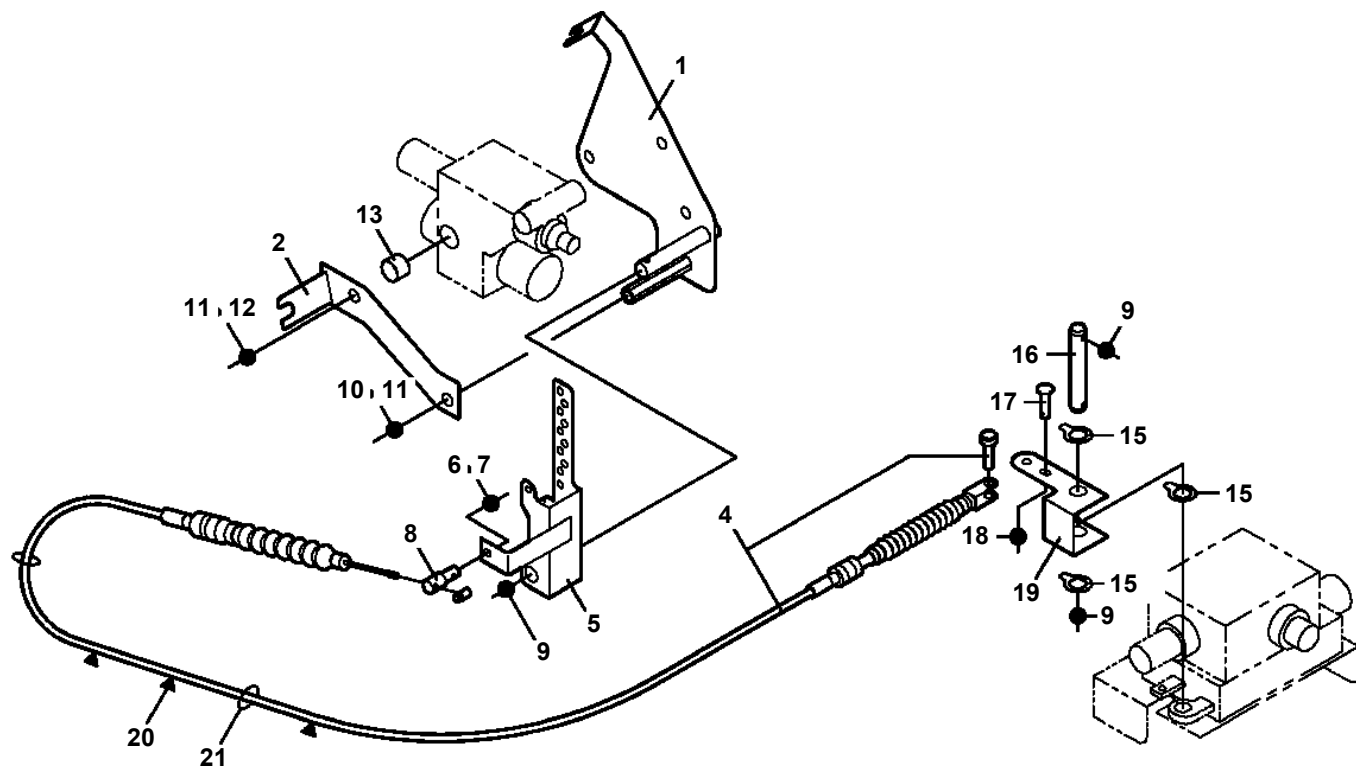
TM-ZR500 31094010440A FRAME/SL,REMOTE-RADIO CONT.,HOOK-IN  
PK1010611-00 FRAME



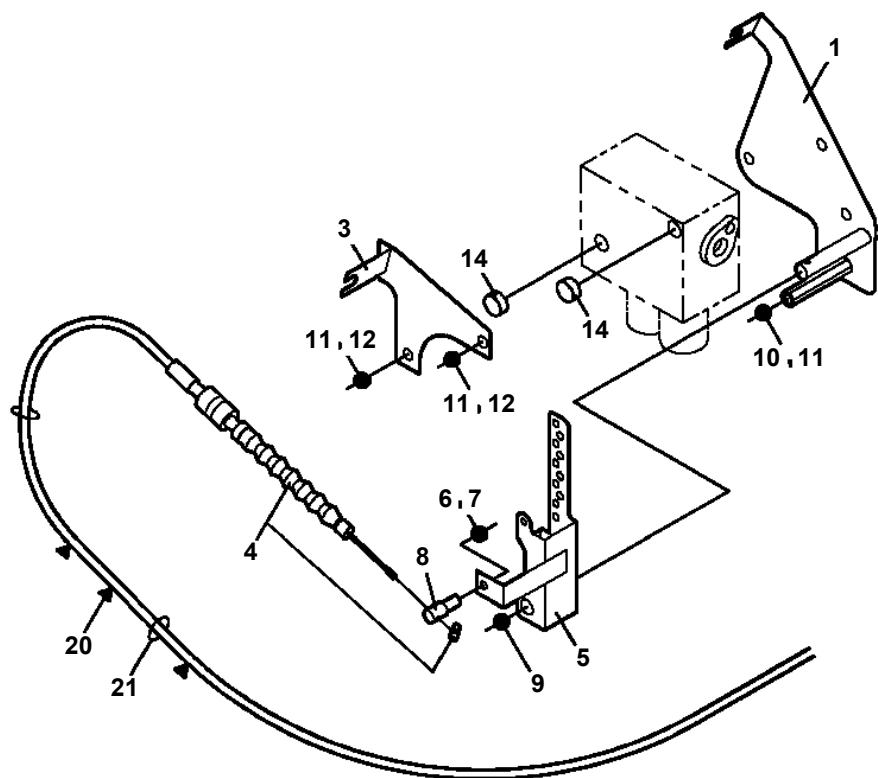
# TM-ZR500 31094010440A FRAME/SL,REMOTE-RADIO CONT.,HOOK-IN

Pos No.	Parts No	Parts Name	Qty	Unit	Technical Data	Serial No (Start)	Serial No (End)	Remarks	Pages
1	37000105610	PIN	3		L=18				
2	80620210050	PIN,SNAP	3						
3	37000165040	PIN	1						
4	80136840020	PIN,SPLIT	1		4X20				
5	37000311460	SPACER	1		L=5				
6	31322160150	FORK	3						

TM-ZR500 31094010440A FRAME/SL,REMOTE-RADIO CONT.,HOOK-IN  
 PL1920084-00 OPE.ASSY

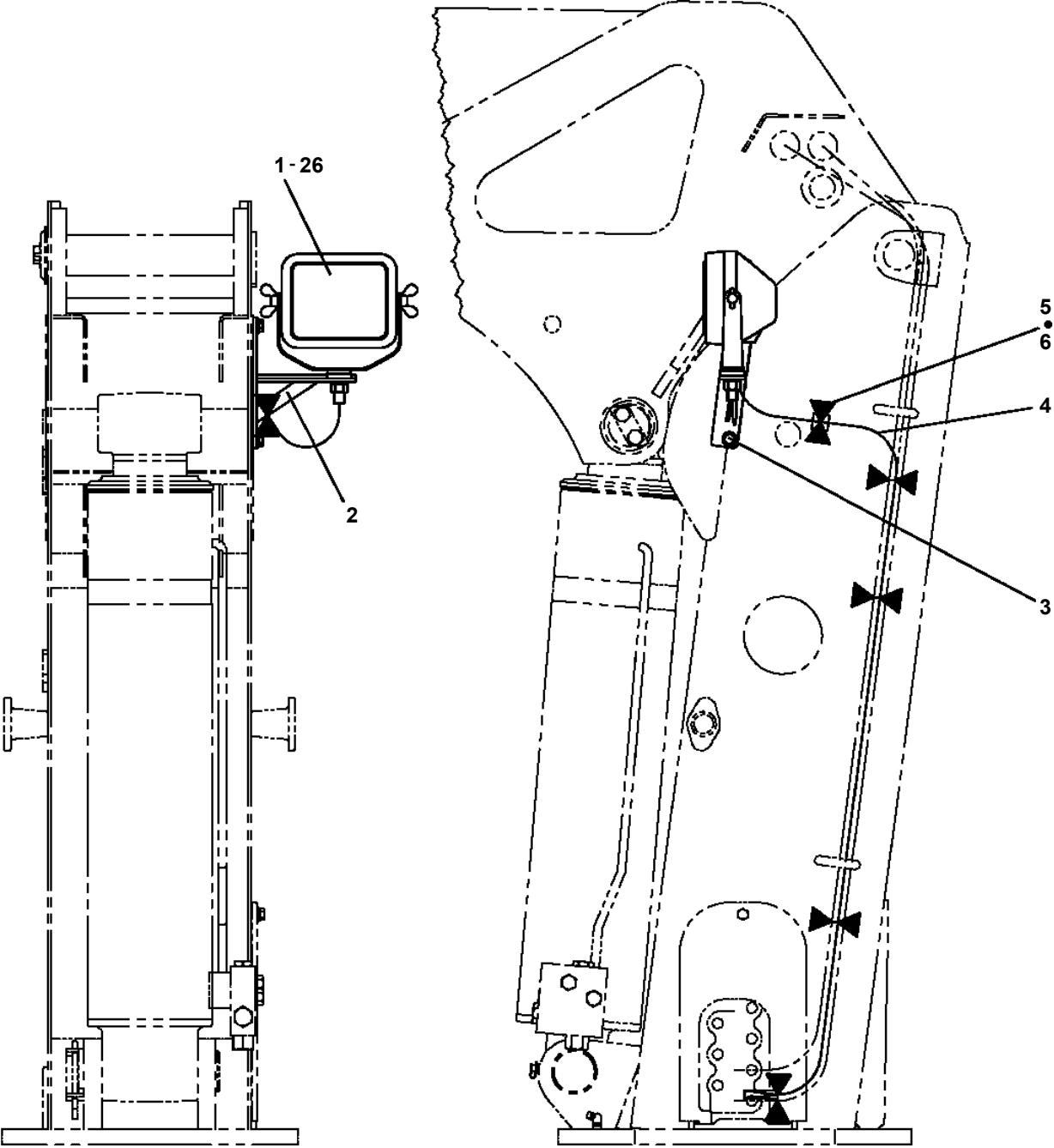


三輪製アクセルシリンダ

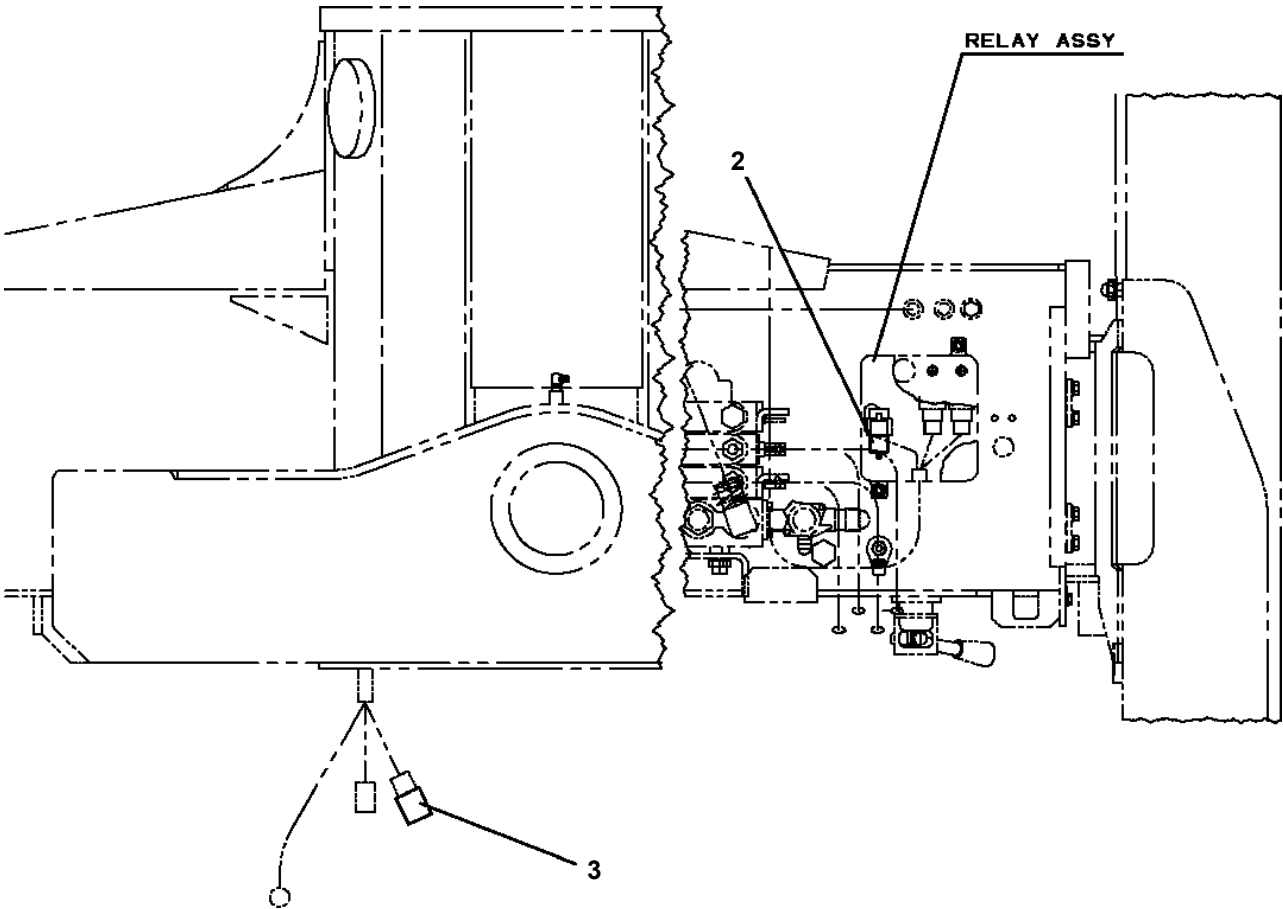


不二輪製アクセルシリンダ

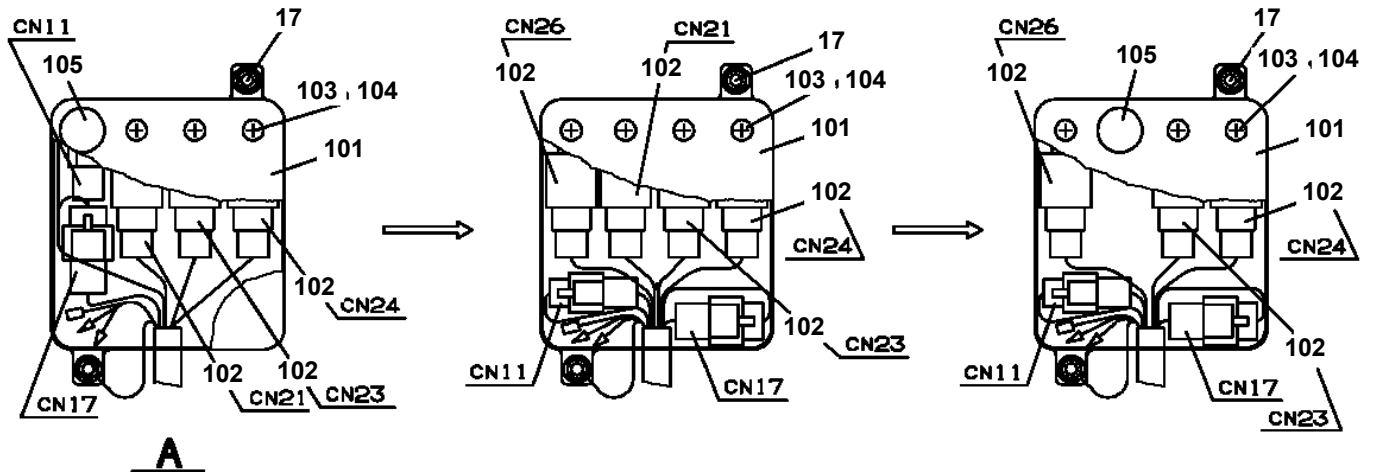
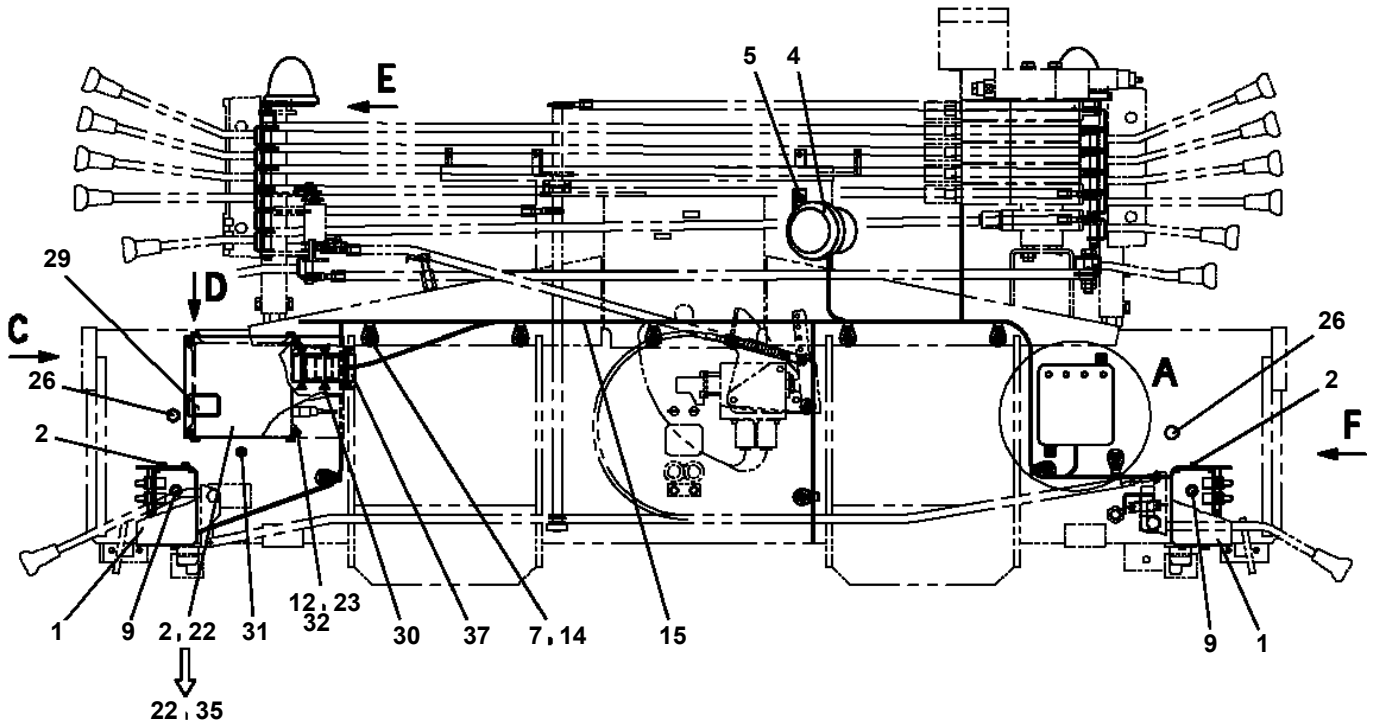
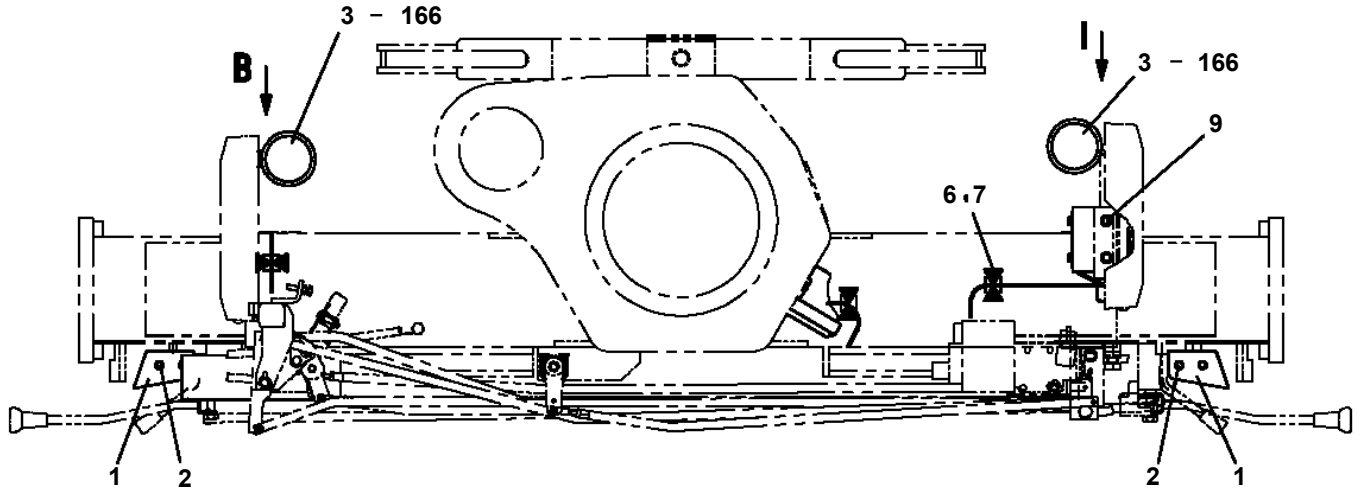
TM-ZR500 31094010440A FRAME/SL,REMOTE-RADIO CONT.,HOOK-IN  
PN1012344-02 ELEC.ASSY (24V60W LAMP/MOUNT,POST)



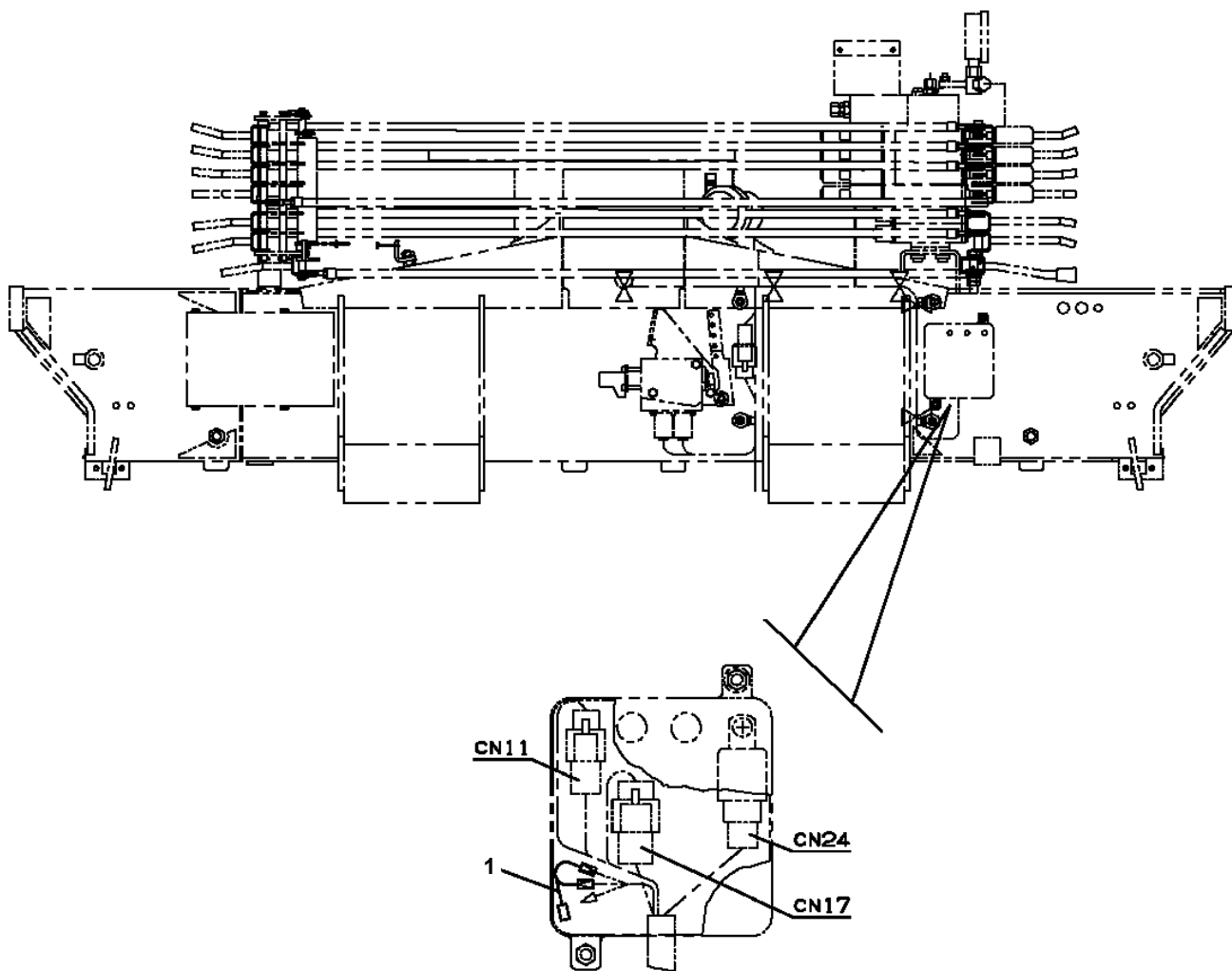
**TM-ZR500 31094010440A FRAME/SL,REMOTE-RADIO CONT.,HOOK-IN  
PN1012515-00 ELEC.ASSY (STROKE DETECTOR)**



**TM-ZR500 31094010440A FRAME/SL,REMOTE-RADIO CONT.,HOOK-IN  
PN1013352-04 ELEC.ASSY**



**TM-ZR500 31094010440A FRAME/SL,REMOTE-RADIO CONT.,HOOK-IN  
PN1013757-01 ELEC.ASSY (HARNESS FOR STANDBY POWER)**



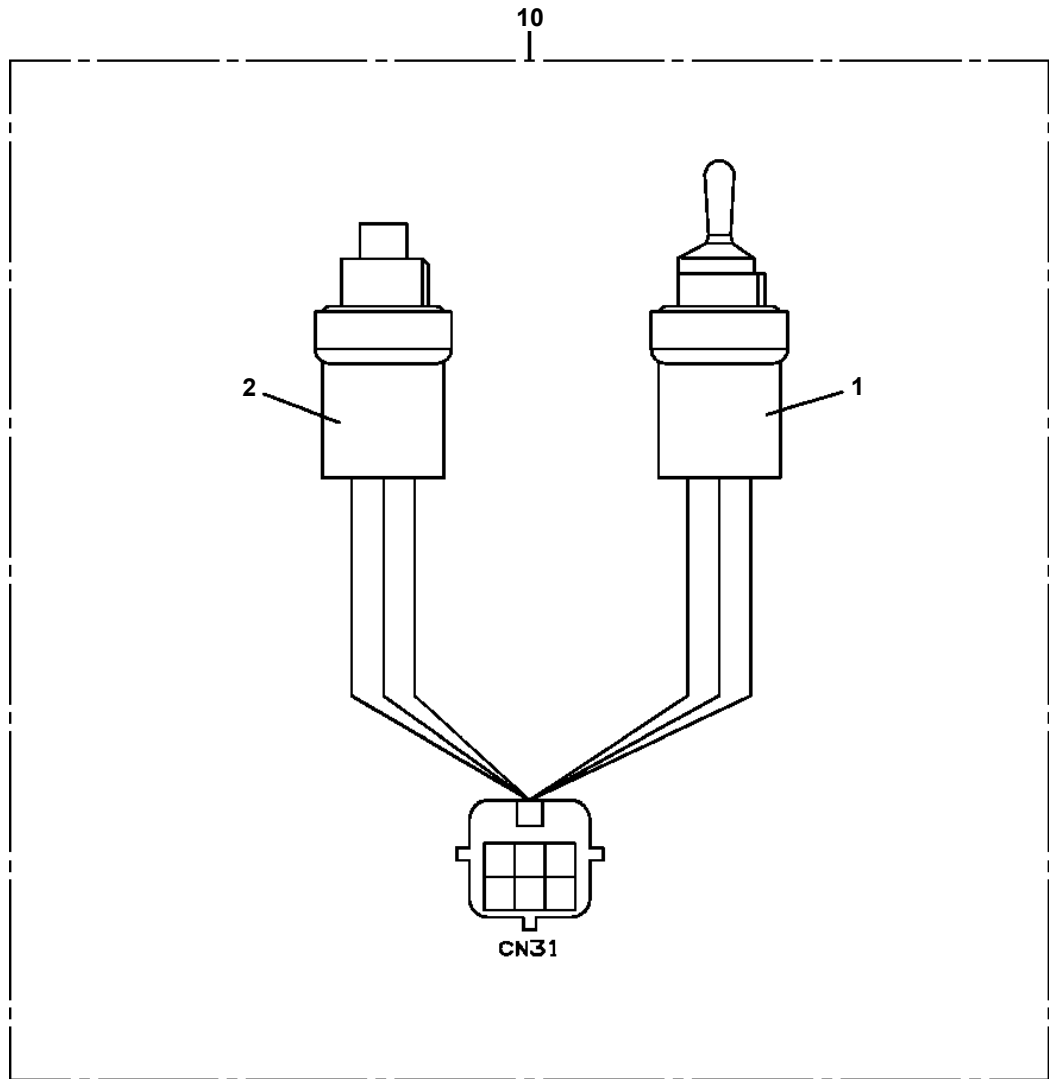
# TM-ZR500 31094010440A FRAME/SL,REMOTE-RADIO CONT.,HOOK-IN

Pos No.	Parts No	Parts Name	Qty	Unit	Technical Data	Serial No (Start)	Serial No (End)	Remark
1	31476362102	ALARM ASSY (ASSY ONLY)	1				EH8710	
	31476362103	ALARM ASSY (ASSY ONLY)	1			EH8711	PA1677	
	31476362104	ALARM ASSY (ASSY ONLY)	1			PA1678		
2	31475352100	PLATE,NAME	1					
3	31476362500	RELAY ASSY	1				PA1677	
	31477472200	RELAY ASSY	1			PA1678		
4	31380174000	LAMP ASSY (ASSY ONLY)	1					
5	82100000191	TERMINAL	4					
6	82100000183	INSULATOR	4					
7	91810130240	FASTENER	10					
8	82115001002	CONNECTOR	13					
9	82100001400	TERMINAL	6					
10	31476362700	PLATE,CAUTION	1					
11	31380292600	SUPPORT	1					
12	80172305020	SCREW,MACHINE	2		M5X20			
13	90302040501	WASHER,SPRING	2		5			
14	90303070501	WASHER,PLAIN	2		5			
15	31476362600	RELAY ASSY	2				PA1677	
	31476364000	RELAY ASSY	2			PA1678		
16	82100001220	INSULATOR	6					
17	31476362300	RELAY ASSY	1				PA1677	
	31504322200	RELAY ASSY	1			PA1678		
18	31475982400	DIODE ASSY	1					
19	82100000192	TERMINAL	1					
20	82100000182	INSULATOR	1					
21	90928040101	SCREW,TAPPING	3		M4X10			
23	82115001005	CONNECTOR	9					

TM-ZR500 31094010440A FRAME/SL,REMOTE-RADIO CONT.,HOOK-IN  
PN1080230-01 LAMP (MOUNT,BOOM/24V-45W)

指示番号 KEY NO.	ランプ (フームトリック/24V-45W:フックイン,ラジコン) LAMP (MOUNT,BOOM/24V-45W:HOOK-IN,RADIO CONTROL)
1	ハイセンASSY (ロー) ELEC.ASSY (LOWER)
2	ハイセンASSY (アツハ) ELEC.ASSY (UPPER)

TM-ZR500 31094010440A FRAME/SL,REMOTE-RADIO CONT.,HOOK-IN  
PN1140234-00 SWITCH ASSY (PLATING:NACC)



# TM-ZR500 31094010440A FRAME/SL,REMOTE-RADIO CONT.,HOOK-IN

Pos No.	Parts No	Parts Name	Qty	Unit	Technical Data	Serial No (Start)	Serial No (End)	Remarks	P
1	36160935010	CASE	1						
2	31370005020	PLATE (BASE)	1						
3	31370005030	PACKING	1						
4	31370005040	SPRING ASSY	1						
5	36130515020	RING ASSY (CONTACT)	1						
6	32360005060	CONTACTOR ASSY	1						
7	36160935020	CONTACTOR ASSY	1						
8	31370005070	GROMMET	1						
9	31370005080	GUIDE (CORD)	1						
11	36160935030	WASHER	2						
25	33371297520	LOCK (CORD)	1						
26	36130825070	TUBE	1						
27	36160325010	COLLAR	1						
41	36131935100	CORD (2-LINE)	3	M					
100	36161340000	REEL,CORD	1						

# TM-ZR500 31094010440A FRAME/SL,REMOTE-RADIO CONT.,HOOK-IN

Pos No.	Parts No	Parts Name	Qty	Unit	Technical Data	Serial No (Start)	Serial No (End)	Remarks	Pages
1	31473481100	PLATE,CAUTION	1						

# TM-ZR500 31094010440A FRAME/SL,REMOTE-RADIO CONT.,HOOK-IN

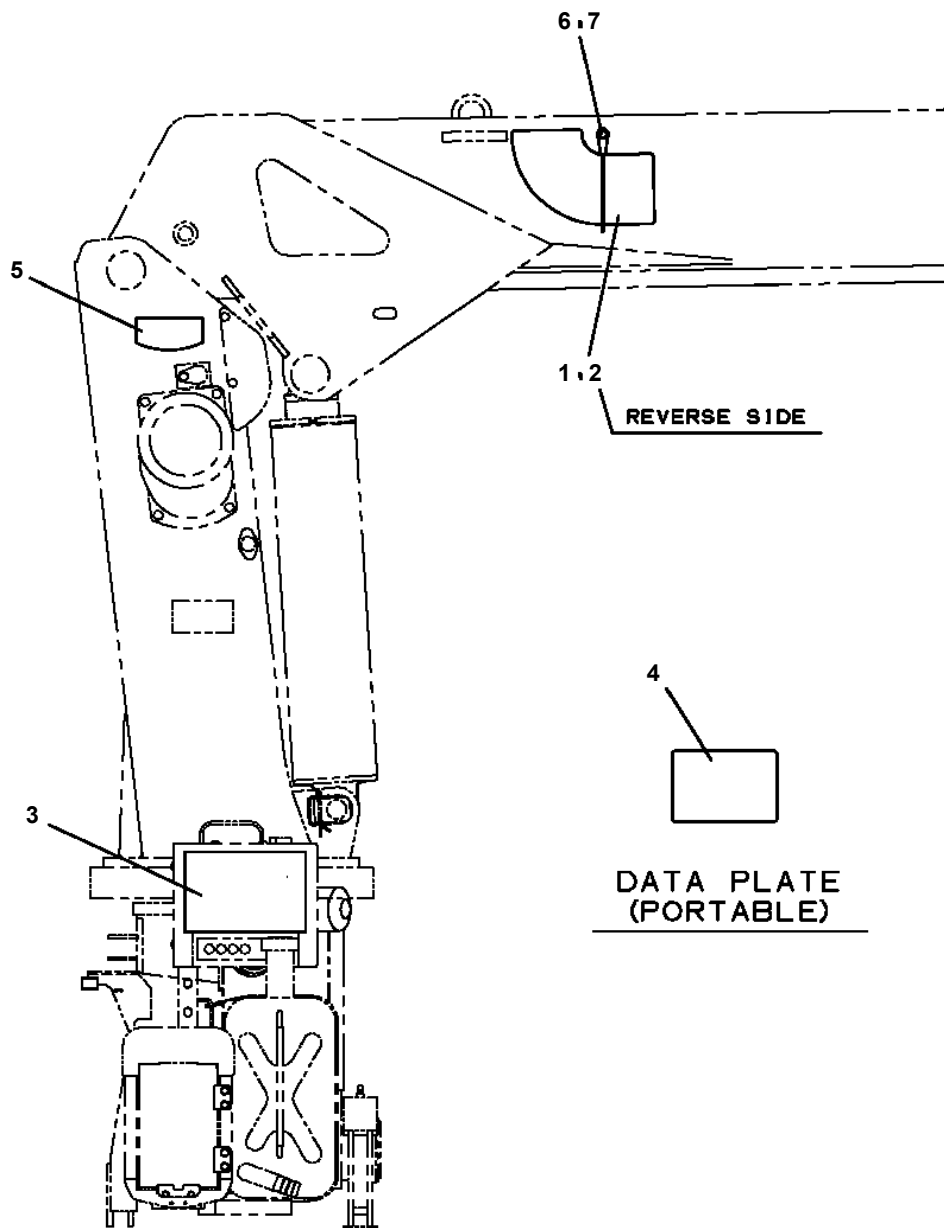
Pos No.	Parts No	Parts Name	Qty	Unit	Technical Data	Serial No (Start)	Serial No (End)	Remarks
1	37002220460	PLATE,NAME	1					
2	37002220470	PLATE,NAME	1					
3	37002220480	PLATE,NAME	1					
4	37002220490	PLATE,NAME	2					
5	37002220590	PLATE,NAME	2					
6	37002220520	PLATE,NAME	1					
7	37002220600	PLATE,NAME	1					
8	37002220530	PLATE,NAME	1					
9	37002220540	PLATE,NAME	1					
10	37002220550	PLATE,NAME	1					
11	37002220580	PLATE,NAME	1					
12	37002220610	PLATE,NAME	1					
13	37002217510	PLATE,CAUTION (LOCK)	1					
14	37002217520	PLATE,CAUTION (LOCK)	1					
15	31395390210	PLATE,CAUTION	2					
16	31395220230	PLATE,CAUTION	2					
17	37002220410	PLATE,CAUTION	1					
18	37002220420	PLATE,CAUTION	1					
19	37002220440	PLATE,CAUTION	1					
20	37002206490	PLATE,NAME (GREASE)	5					
21	31395220250	PLATE,CAUTION	2					
22	37002220430	PLATE,CAUTION	2					
23	37002220450	PLATE,NAME	1					
24	37002200320	PLATE,NAME	1					
25	31492200210	PLATE,NAME	1					
26	37002224400	PLATE,NAME	1					
27	37002224440	PLATE,NAME	1					

# TM-ZR500 31094010440A FRAME/SL,REMOTE-RADIO CONT.,HOOK-IN

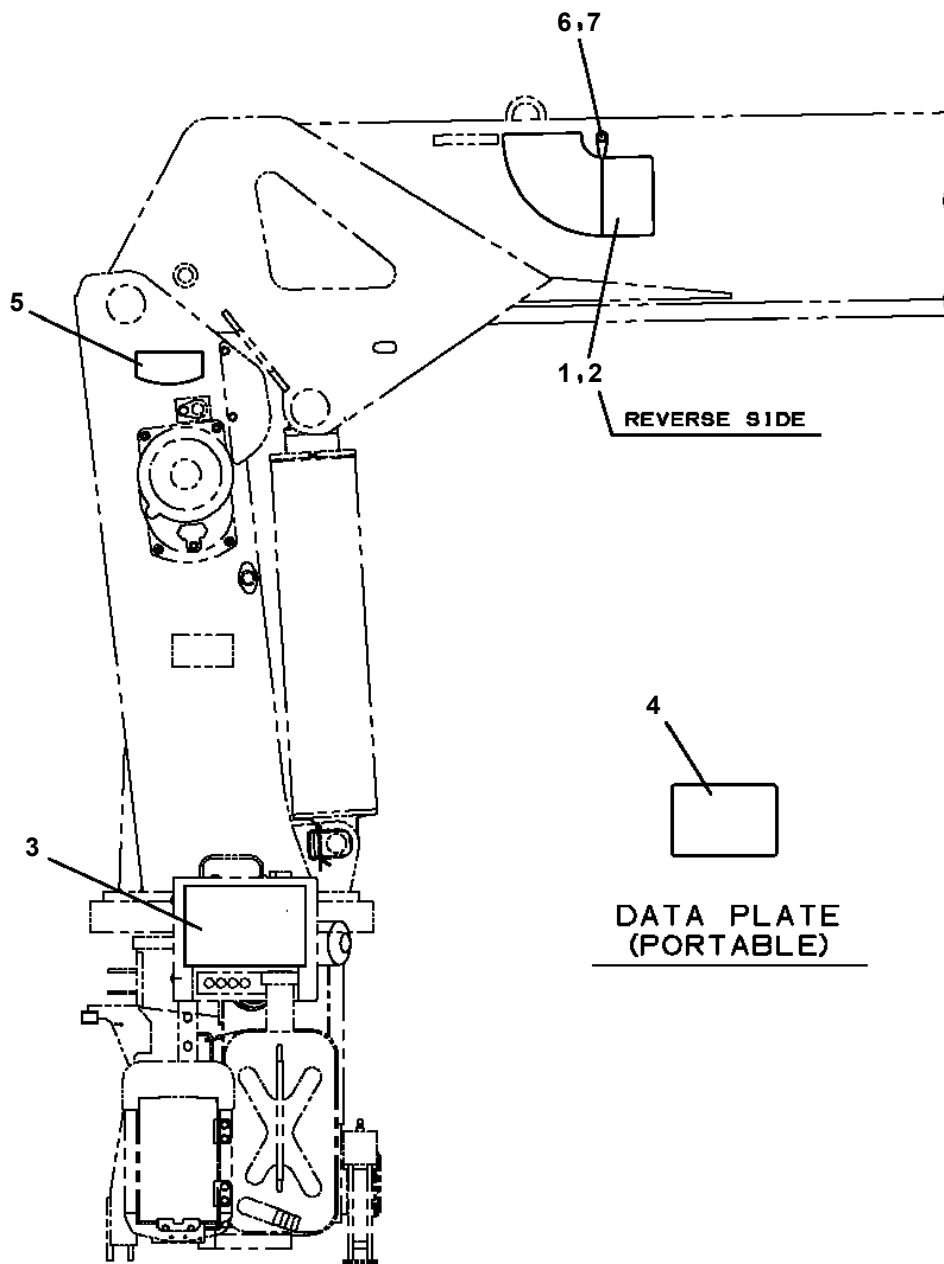
Pos No.	Parts No	Parts Name	Qty	Unit	Technical Data	Serial No (Start)	Serial No (End)	Remarks	Pages
1	31477441100	PLATE,NAME	2						

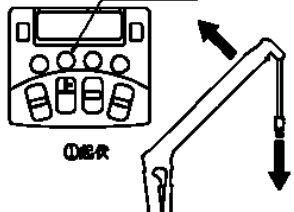



**TM-ZR500 31094010440A FRAME/SL,REMOTE-RADIO CONT.,HOOK-IN  
PO1070534-00 PERFORMANCE DATA (MC503AL/A)**

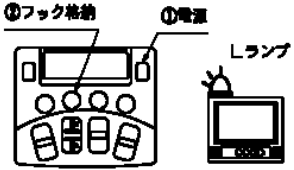


**TM-ZR500 31094010440A FRAME/SL,REMOTE-RADIO CONT.,HOOK-IN  
PO1070539-00 PERFORMANCE DATA (MC505AL/B)**



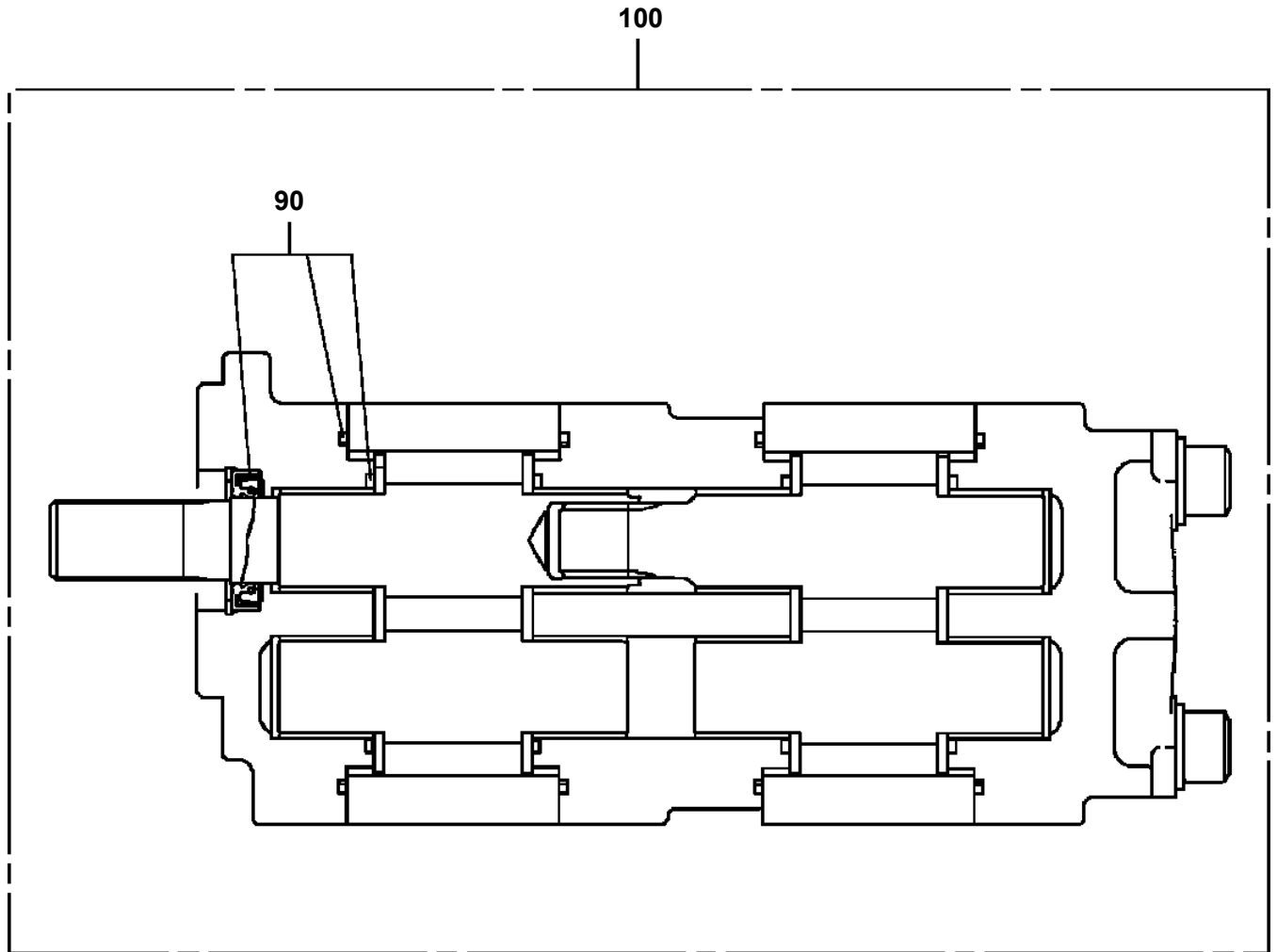
<p><input type="checkbox"/> 注 記 / 送信機取扱い</p> <p><b>フックアウト操作</b></p> <ol style="list-style-type: none"> <li>1 「上」を押します。</li> <li>2 「上」を押した状態で「フック格納」スイッチを押します。 (ブームが上がりながら、フックが下がります。)</li> </ol> <p>①フック格納</p>  <p>①電源</p> <p>前田製作所</p>	<p><b>エンジン回転数の設定</b></p> <ol style="list-style-type: none"> <li>1 ブーム全高にて待機「待」を押します。</li> <li>2 「待」を押した状態でアクセルレバーを引き、好みのエンジン回転数に合わせます。</li> <li>3 「設定モード」スイッチを、押します。 エンジン回転数が設定され、レバーを最大に引いても設定した回転数以上になりません。</li> </ol> <p><b>設定解除</b></p> <p>再度「設定モード」スイッチを押してください。</p> <p>①待機 ②アクセルレバー この間で保持</p> 
--	---

表

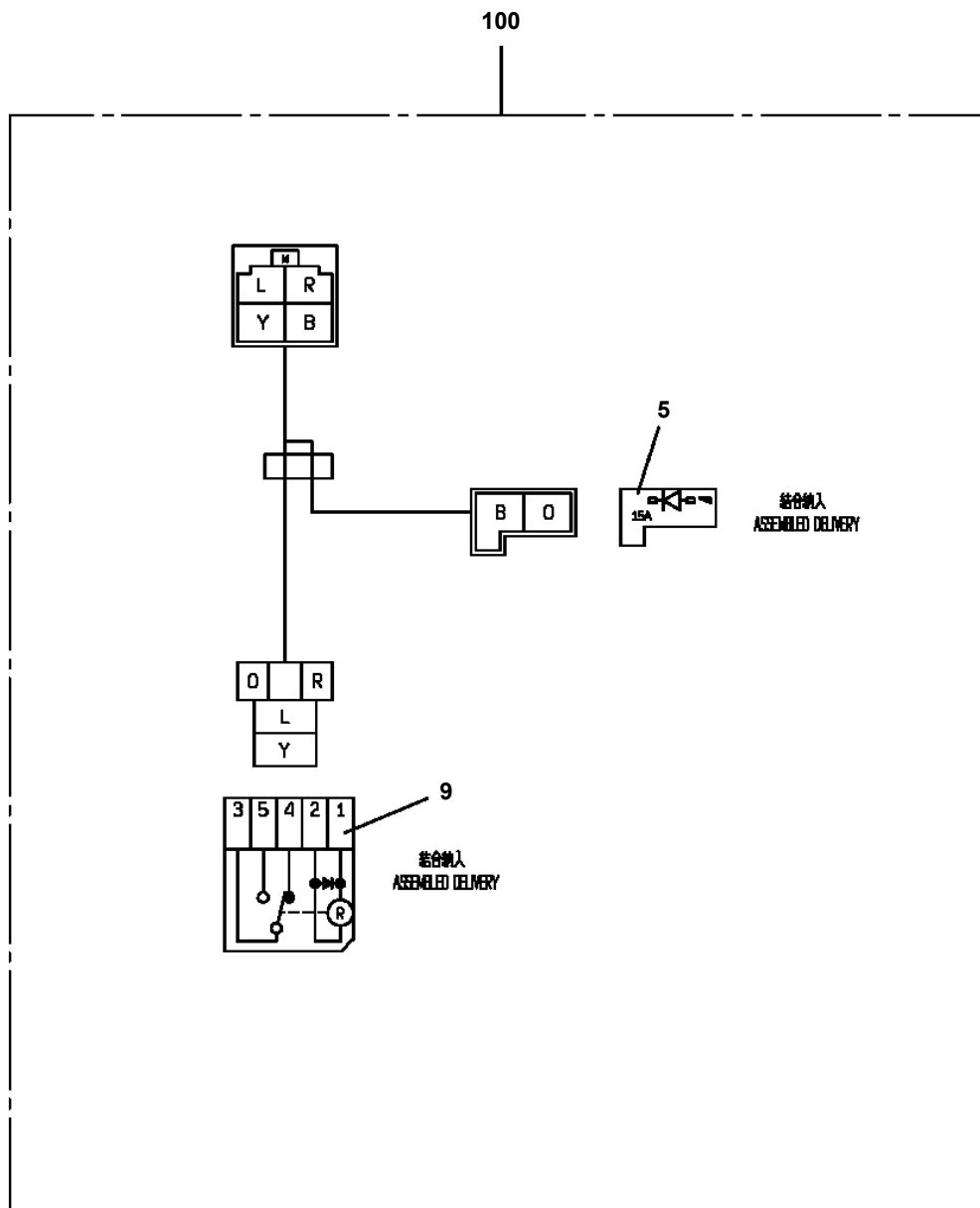
<p><b>Lモード切替 (L仕様のみ)</b></p> <ol style="list-style-type: none"> <li>1 電源をONにします。</li> <li>2 2秒以内に「フック格納」をLランプが点灯するまで押し続けます。</li> <li>3 Lランプ点灯後、吊钩動作がジャッキ動作に切替ります。</li> </ol> <p><b>クレーンモード切替</b></p> <p>電源をOFFにし、再度電源をONにしてください。</p> <p>①フック格納      ①電源</p>  <p>①ジャッキ動作</p> <p>「上」→「縮小」 「下」→「伸長」</p>	<p><input type="checkbox"/> BML作業開始前点検</p> <ol style="list-style-type: none"> <li>1. PTOを「脱」にし、ブーム下げ動作をします。</li> </ol> <p>① PTO</p> <ul style="list-style-type: none"> <li>※アトトリガの動作確認が出来ること。</li> <li>※アトトリガの動作確認が出来ること (縮小) が点灯。</li> </ul> <ol style="list-style-type: none"> <li>2. アトトリガを最大減速にし、クレーンを水平に調整する。ブームをいったん下げた状態にする。</li> </ol> <p>② クレーン</p> <ul style="list-style-type: none"> <li>※40t以上の吊钩コンパイル機は、吊钩が水平に示す。</li> <li>※アトトリガの動作確認が出来ること (縮小) が点灯。</li> </ul> <ol style="list-style-type: none"> <li>3. 最大伸長状態でブームを上げ、最大負荷を20%にする。</li> </ol> <p>③ 最大伸長</p> <ul style="list-style-type: none"> <li>※吊钩が水平に示す。</li> <li>0.0</li> </ul> <ol style="list-style-type: none"> <li>4. 最大伸長状態で吊钩動作をします。</li> </ol> <p>④ 吊钩</p> <ul style="list-style-type: none"> <li>※点検、点検及び点検確認のスイッチの動作確認ランプが点灯の上で点検し、点検が完了すると点灯すること。</li> </ul> <ol style="list-style-type: none"> <li>5. 点検完了。</li> </ol> <p>369-037-10109</p>
---	---

裏

TM-ZR500 31094010440A FRAME/SL,REMOTE-RADIO CONT.,HOOK-IN  
PP5420003-01 PUMP ASSY,OIL (36CC,32CC:L)

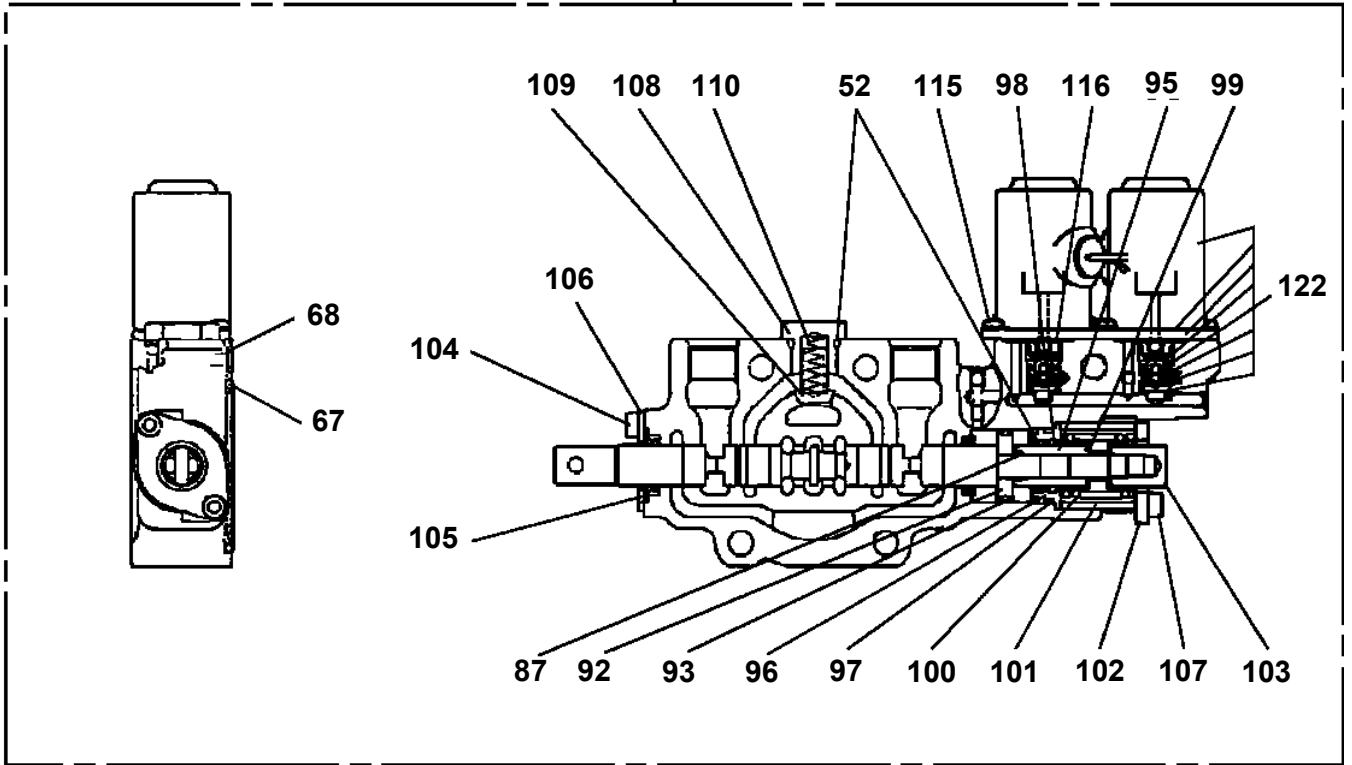


TM-ZR500 31094010440A FRAME/SL,REMOTE-RADIO CONT.,HOOK-IN  
PR5210001-00 RELAY (WITH HARNESS)

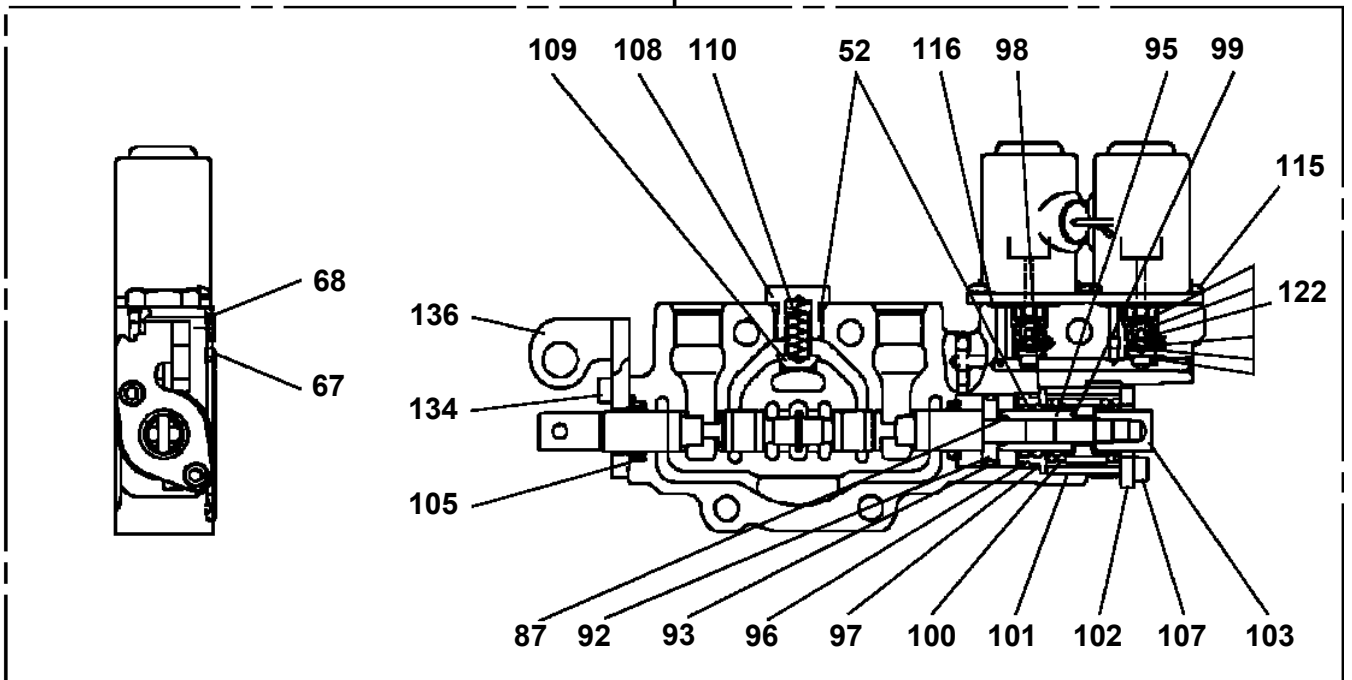


TM-ZR500 31094010440A FRAME/SL,REMOTE-RADIO CONT.,HOOK-IN  
PV1020247-02 VALVE,REMOTE CONTROL

41

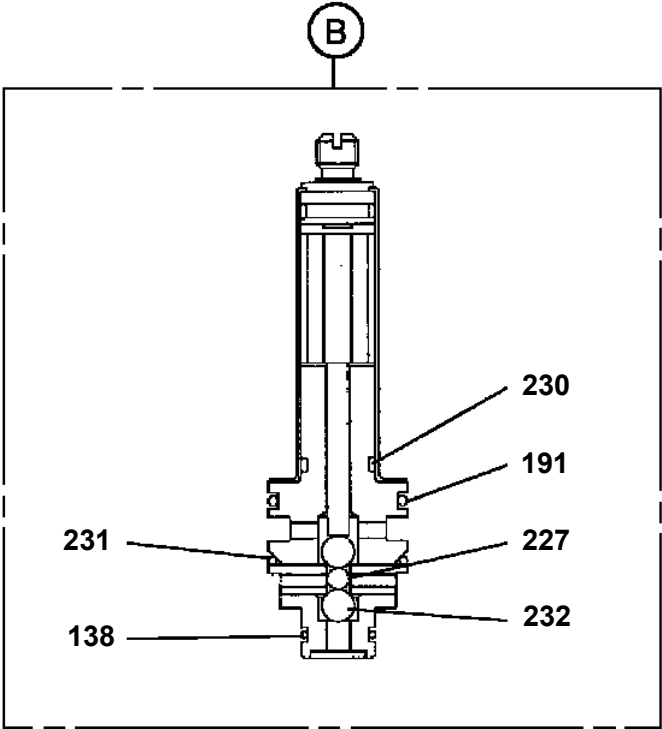
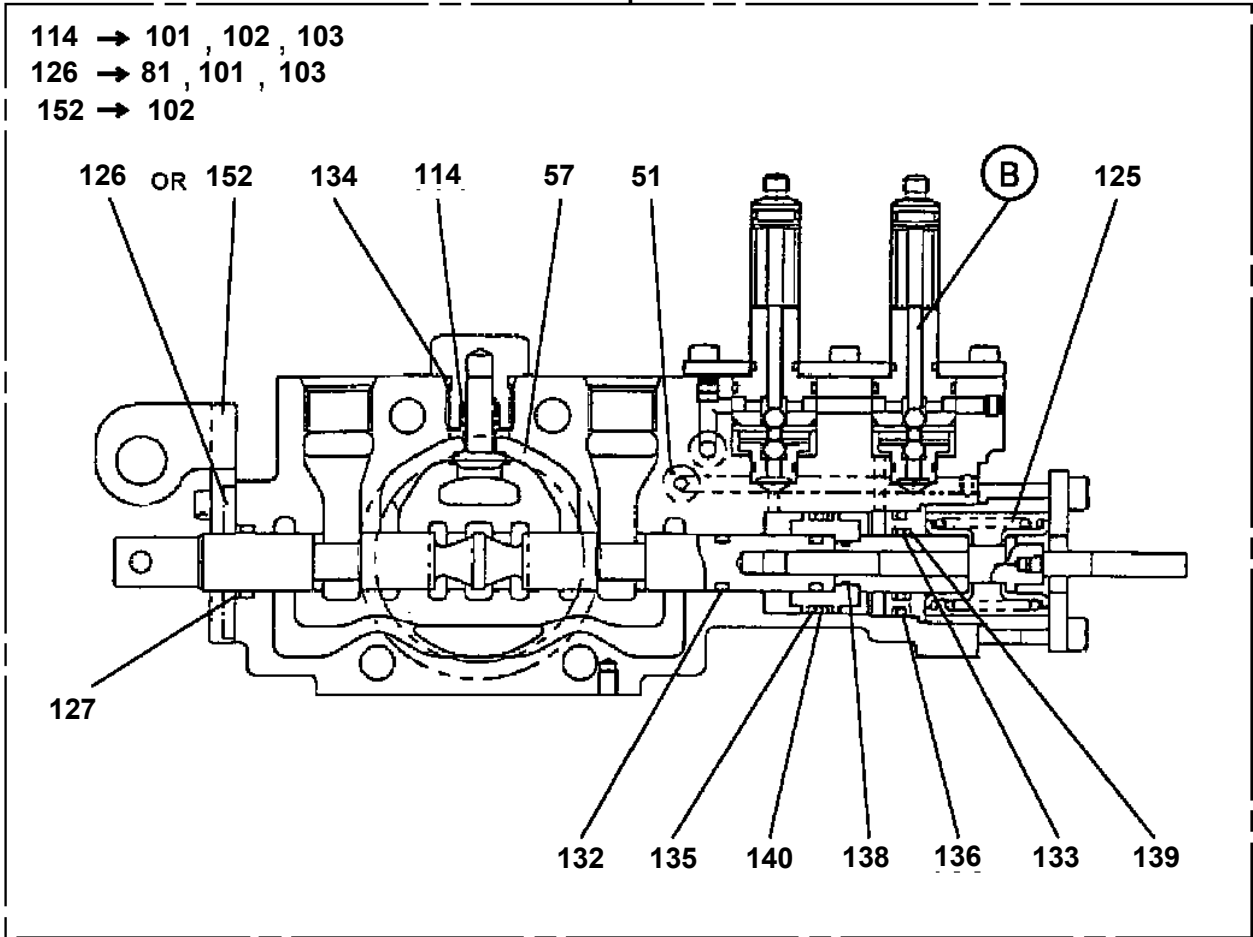


42



TM-ZR500 31094010440A FRAME/SL,REMOTE-RADIO CONT.,HOOK-IN  
PV1020262-01 VALVE,REMOTE CONTROL (MAIN/NACHI)

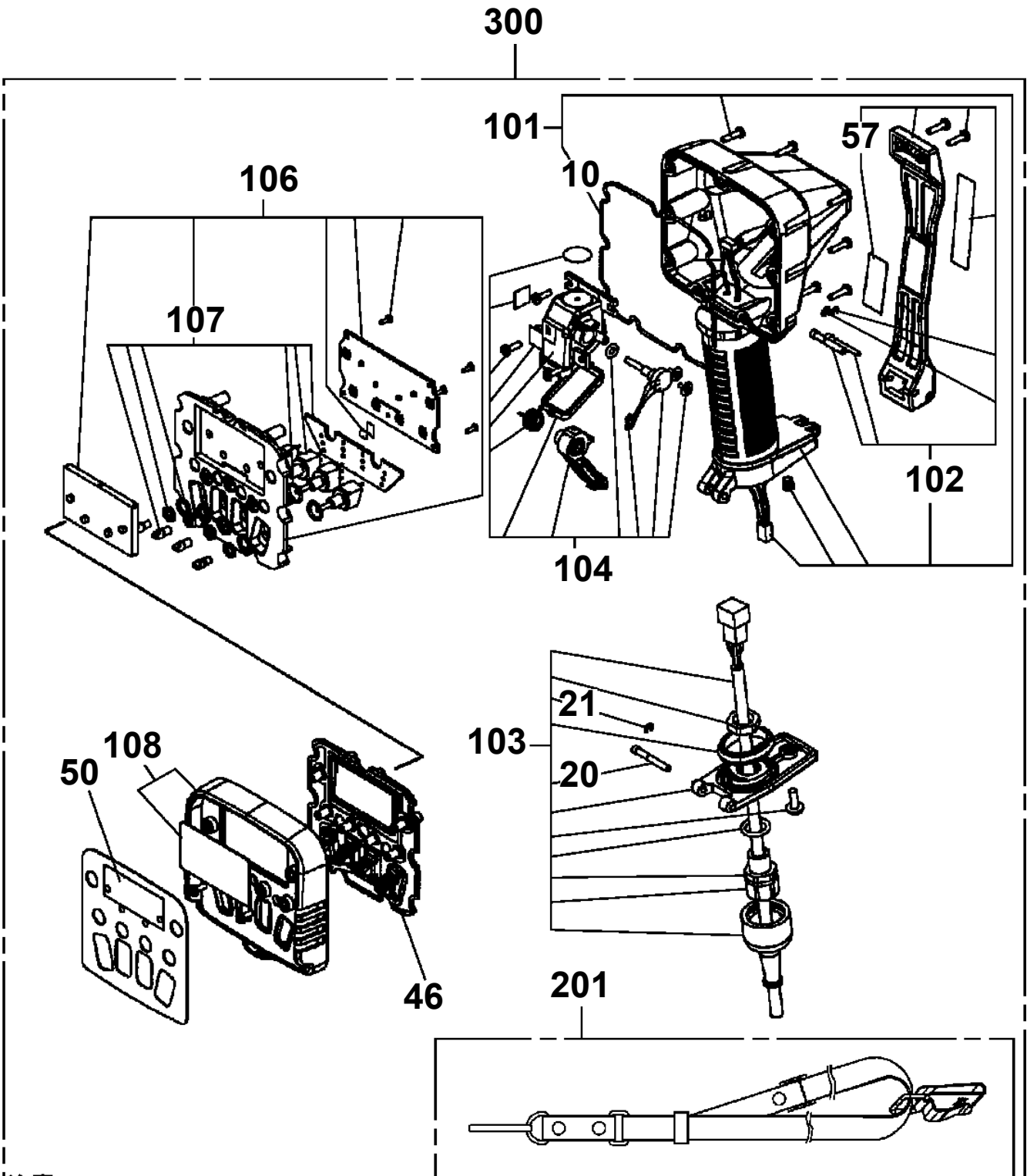
81 , 101 , 102 , 103



# TM-ZR500 31094010440A FRAME/SL,REMOTE-RADIO CONT.,HOOK-IN

Pos No.	Parts No	Parts Name	Qty	Unit	Technical Data	Serial No (Start)	Serial No (End)
1	36645585010	BOLT,TIE	1				
2	36636085030	BOLT,TIE (A)	3				
3	90201200800	NUT	4		M8		
4	36648365010	COVER (FRONT)	1				EW5391
	36741810060	COVER (FRONT)	1			EW5392	
5	36647075050	BOLT,TIE (A)	1				
6	36648385010	VALVE,CONTROL (TELESCOPING)	1				
7	36648365030	VALVE,CONTROL (WINCH)	1				
8	36648385020	VALVE,CONTROL (ELEVATING)	1				
9	36741065010	VALVE,CONTROL (SWING)	1				
10	36648385040	VALVE,CONTROL (JACK)	1				
11	36636085050	PLATE	1				
12	36637485060	VALVE,CONTROL (JACK)	1				
13	91002905500	O-RING	2		1B G55		
14	36645375030	COVER (BOTTOM)	1				
15	80720104012	PIN,SPRING	1		4X12		
16	36644835061	COVER	1				
17	90203200800	NUT	5		M8		
18	36645405140	VALVE,SOLENOID	1				
19	36645615230	C-BOLT	4		5X12		
22	36644115130	PLUG	2				
23	91001101100	O-RING	2		1A P11		
24	36649075060	CAM	2				
25	36646865110	SCREW,SET	2				
26	36648385051	SWITCH ASSY	1				
27	36647125090	SCREW,MACHINE	2		M2.3X14		
28	36646575070	PLATE	1				
29	36647125100	NUT	2		M2.3		
30	36648385060	COVER	1				
31	80172105008	SCREW,MACHINE	3		M5X8		
32	80172104006	SCREW,MACHINE	2		M4X6		
33	36649585260	HARNESS	1				
34	36644015120	CONNECTOR	3				
35	36644015130	TUBE	5				
36	11615111410	BAND	8				
37	36644015080	BOX	1				
38	36644015150	URETHANE (ROOL STOCK)	4				
39	36644015140	COVER	1				
40	36648365090	HARNESS ASSY (LVDT)	1				
41	36649715020	HARNESS ASSY (SOLENOID)	1				
42	36644015110	CONNECTOR	2				
43	36640625140	TUBE	1		12B		
44	36646865070	CLIP	1				
45	36644015070	COVER	1				
46	36645405150	SCREW,MACHINE	4		M3X5		
47	36645405160	BAND	4				EW2688
	36645405160	BAND	2			EW2689	EW5391
	36740765040	BAND	2			EW5392	
48	36646865060	FASTENER	2				
49	80172105012	SCREW,MACHINE	2		M5X12		
50	36646875100	TUBE	1		15		
55	36640755070	CAP	5				
56	36645405080	LABEL (CAUTION)	1				
57	90303070801	WASHER,PLAIN	1		8		
58	90302040801	WASHER,SPRING	1		8		
59	90101208012	BOLT	1		M8X12		
71	36648365170	COVER (FRONT)	1				EW5391
	36648365171	COVER (FRONT SUB)	1			EW5392	
72	36648375020	BALL,STEEL	19		3/16		
73	36646875110	COCK	1				
74	36660495110	PLUG	1				
75	80560057000	BALL,STEEL	2		1/4		
76	36640625260	SPRING	1				

TM-ZR500 31094010440A FRAME/SL,REMOTE-RADIO CONT.,HOOK-IN  
PV1030082-01 SWITCH BOX



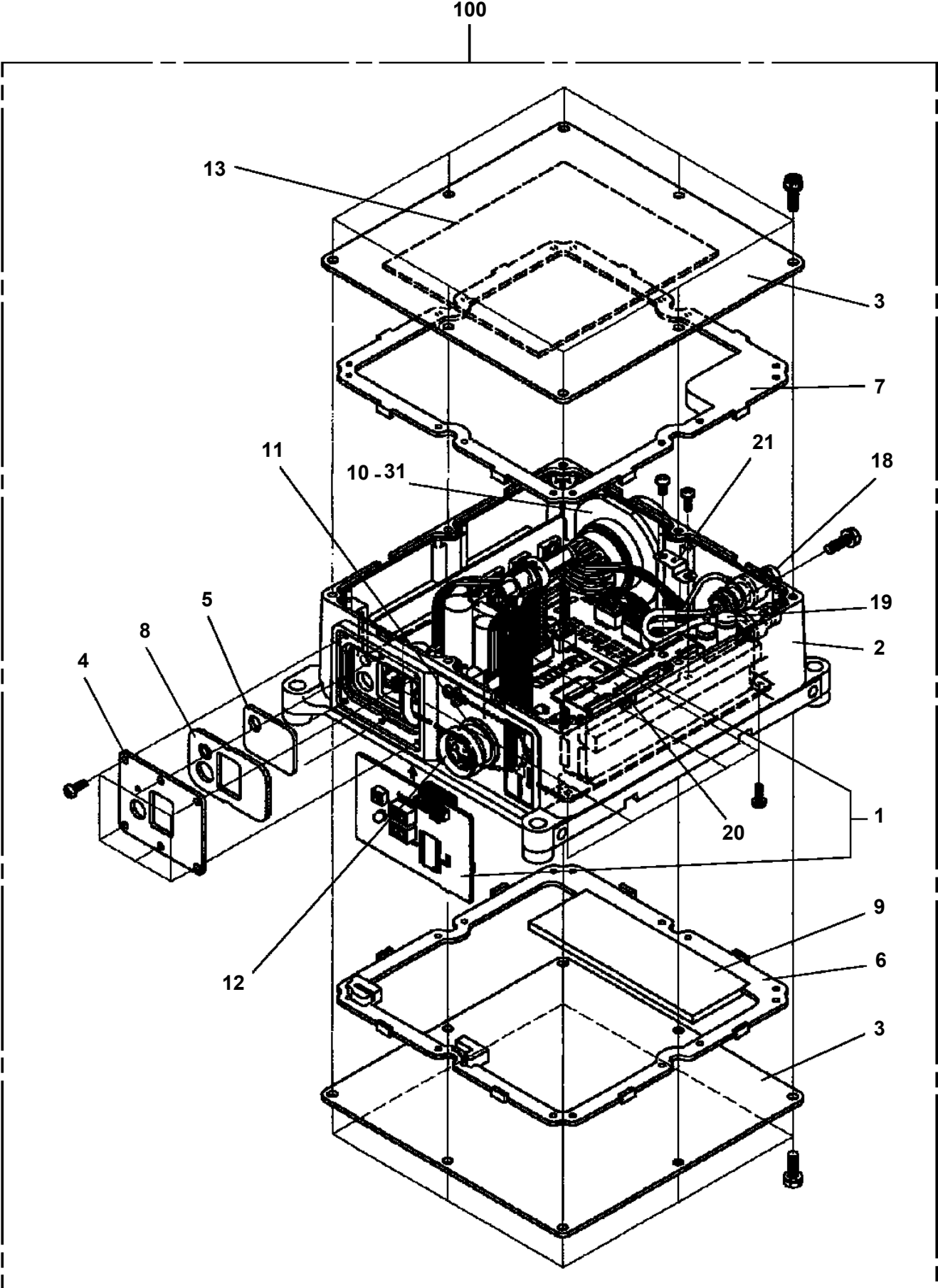
注意

1. 本体分解時には、指示番号10の「Oリング (ケース)」を併せて注文ください。
2. お送りする「ラベル (コクイン)」には製造番号は印字されていないので記入してください。

NOTICE

1. When disassembling the main unit, order a key No.10 「O-RING(CASE)」 beforehand.
2. Serial No.is not stamped on the 「LABEL(SELIAL)」 before shipment. Fill in the blank by yourself.

TM-ZR500 31094010440A FRAME/SL,REMOTE-RADIO CONT.,HOOK-IN  
PV1040098-00 CONTROL UNIT



# TM-ZR500 31094010440A FRAME/SL,REMOTE-RADIO CONT.,HOOK-IN

Pos No.	Parts No	Parts Name	Qty	Unit	Technical Data	Serial No (Start)	Serial No
1	36804911000	CONTROL UNIT	1				EW5181
	36804911001	CONTROL UNIT	1			EW5182	
2	36804912000	ANTENNA (FOR RADIO CONTROL)	1				EW5321
	36806972000	ANTENNA UNIT (ASSY ONLY)	1			EW5322	
4	(*****)	ELEC.ASSY (ANTENNA)	1				
5	36804914000	BOX,STOWING	1				
11	36804913000	SWITCH BOX (RADIO CONTROL,LED TYPE)	1				EW5321
	36806973000	BOX,OPERATION	1			EW5322	
12	(*****)	PLATE ASSY,NAME	1				

# TM-ZR500 31094010440A FRAME/SL,REMOTE-RADIO CONT.,HOOK-IN

Pos No.	Parts No	Parts Name	Qty	Unit	Technical Data	Serial No (Start)	Serial No (End)
1	(*****)	ELEC.ASSY (UPPER)	1				
3	(*****)	PLATE ASSY,NAME (UPPER)	1				
4	(*****)	DETECTOR,BOOM LENGTH (MOUNT)	1				
6	36194670000	MOMENT LIMITER (BML)	1				
8	(*****)	ELEC.ASSY (HARNESS FOR STANDBY POWER)	1				
12	(*****)	MOUNT (BOOM)	1				

# TM-ZR500 31094010440A FRAME/SL,REMOTE-RADIO CONT.,HOOK-IN

Pos No.	Parts No	Parts Name	Qty	Unit	Technical Data	Serial No (Start)	Serial No (End)	F
1	36802862000	ANTENNA (FOR RADIO CONTROL)	1					

# TM-ZR500 31094010440A FRAME/SL,REMOTE-RADIO CONT.,HOOK-IN

Pos No.	Parts No	Parts Name	Qty	Unit	Technical Data	Serial No (Start)	Serial No (End)	Remarks	Pages
2	42461050200	STOPPER,TIRE	1						

# TM-ZR500 31094010440A FRAME/SL,REMOTE-RADIO CONT.,HOOK-IN

Pos No.	Parts No	Parts Name	Qty	Unit	Technical Data
1	(*****)	HOOK (1-PART LINE)	1		
	(*****)	HOOK (SELF, 3TONX2-PART LINE)	1		
	(*****)	HOOK (4TON SELF WINCH,2-PART LINE)	1		
	(*****)	HOOK (4TON SELF WINCH,3-PART LINE)	1		
2	(*****)	GUIDE,ROPE (RETAINING WIRE ROPE)	1		
3	(*****)	DETECTOR,DISORDERLY WINDING	1		
4	(*****)	PLATE (500X500,H=90)	1		
	(*****)	PLATE (355X355,H=80)	1		
5	(*****)	OUTRIGGER,REAR (ROTARY/LOW TRUK BED)	1		
	(*****)	OUTRIGGER ASSY,REAR (HYDRAULIC PACKAGE/LOW TRUCK:LOCK)	1		
6	(*****)	OUTRIGGER,REAR(PACKAGE/HIGH TRUK BED:WITH LOCK ASSY)	1		
	(*****)	OUTRIGGER,REAR (ROTARY/HIGH TRUK BED)	1		
7	(*****)	OUTRIGGER,REAR(ROTARY/POWER PACKAGE:WITH LOCK ASSY)	1		
	(*****)	OUTRIGGER,REAR (ROTARY,POWER PACKAGE)	1		
8	(*****)	COOLER,OIL	1		
9	(*****)	WINCH (DRUM FREE)	1		
	(*****)	WINCH (SELF 4TONX1/ F RADICON)	1		
	(*****)	WINCH (SELF 3TONX1/ F RADICON)	1		
10	(*****)	OUTRIGGER (FLOAT)	1		
11	(*****)	ELEC.ASSY (FOR WHEEL BRAKE RELEASE)	1		
12	50853020000	STOPPER,TIRE	4		
	42461050200	STOPPER,TIRE	4		
13	(*****)	MOUNT (SILENT ECO:TWIN PUMP)	1		

# TM-ZR500 31094010440A FRAME/SL,REMOTE-RADIO CONT.,HOOK-IN

Pos No.	Parts No	Parts Name	Qty	Unit	Technical Data	Serial No (Start)	Serial No (End)
1	(*****)	OIL COOLER INSTALLATION (SUPPORT)	1				
2	(*****)	PIPING,COOLER (OIL)	1				
3	(*****)	ELECTRICAL PARTS,OIL COOLER	1				

**TM-ZR500 31094010440A FRAME/SL,REMOTE-RADIO CONT.,HOOK-IN**

Pos No.	Parts No	Parts Name	Qty	Unit	Technical Data	Serial No (Start)
1	(*****)	ALARM SYSTEM (BOOM HARNESS)	1			
2	(*****)	ELEC.ASSY (CARRIER)	1			
	(*****)	ELEC.ASSY (MOUNTING VEHICLE)	1			PA2152
4	(*****)	PLATE ASSY,NAME (BOOM,ELEV. STOWING FAILURE)	1			

CLICK HERE TO **DOWNLOAD** THE COMPLETE MANUAL

- Thank you very much for reading the preview of the manual.
- You can download the complete manual from: [www.heydownloads.com](http://www.heydownloads.com) by clicking the link below



- Please note: If there is no response to CLICKING the link, please download this PDF first and then click on it.

CLICK HERE TO **DOWNLOAD** THE COMPLETE MANUAL