

**TM-ZR500 31094010740A FRAME/SL,RADIO CONT.,NABI HOOK**  
**PB0000040-02 SYSTEM (ZR500,DOMESTIC)**  
**ASSEMBLY**

CLICK HERE TO **DOWNLOAD** THE COMPLETE MANUAL

- Thank you very much for reading the preview of the manual.
- You can download the complete manual from: [www.heydownloads.com](http://www.heydownloads.com) by clicking the link below



- Please note: If there is no response to CLICKING the link, please download this PDF first and then click on it.

CLICK HERE TO **DOWNLOAD** THE COMPLETE MANUAL

TM-ZR500 31094010740A FRAME/SL,RADIO CONT.,NABI HOOK  
PB1020011-00 PUMP ASSY (SELECTION)

- PUMP ASSY
- ポンプASSYの選定

指示番号 key No	PUMP MODEL ポンプ型式番号	RUNNING DIRECTION 回転方向
1	SGP2-44D2H9-L639	COUNTERCLOCKWISE 左
2	SGP2-36D2H9-L638	COUNTERCLOCKWISE 左

[NOTE]

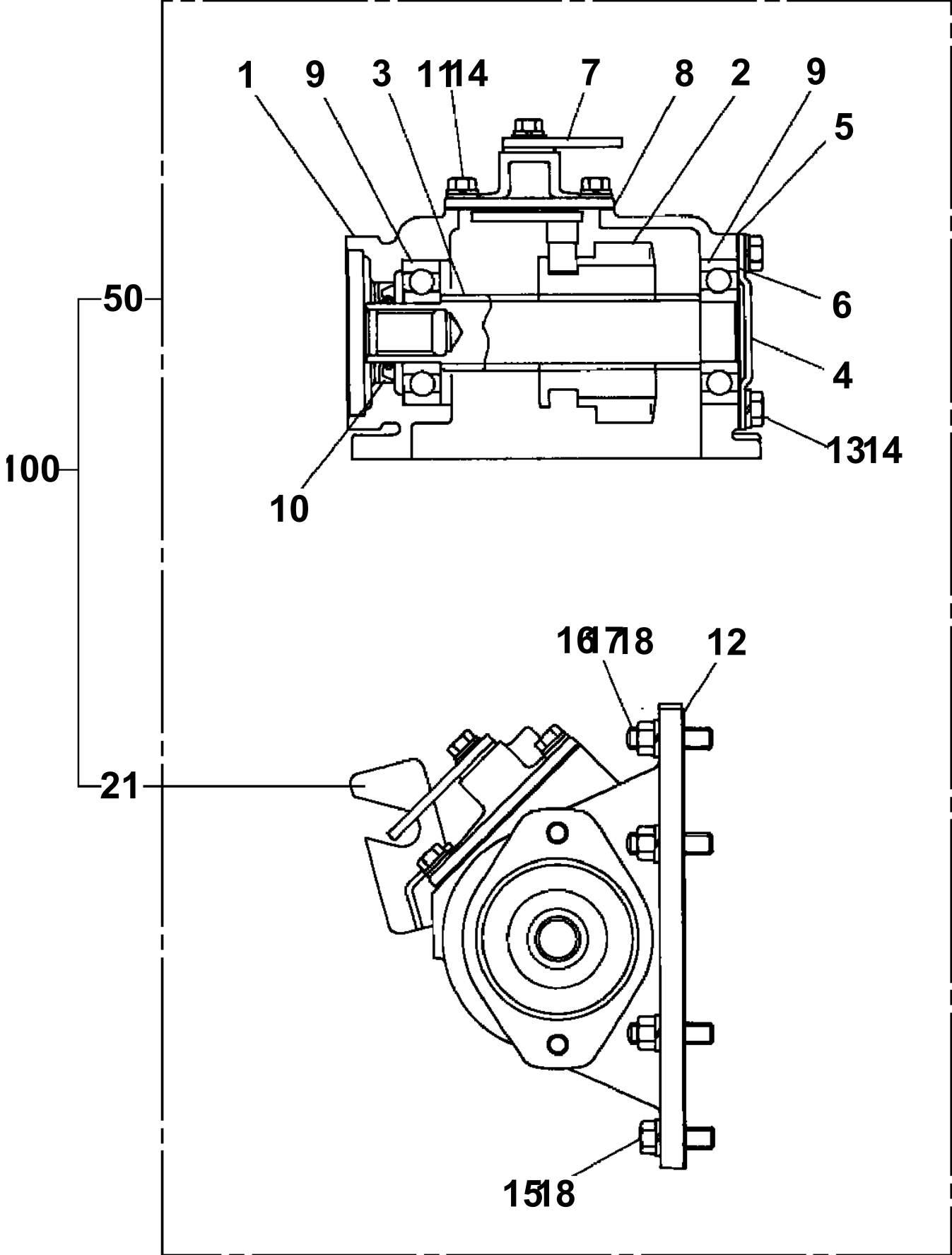
(1) PUMP MODEL NOS. ARE PUNCHED  
ON PUMP NAMEPLATE.

(2) THE PUMP RUNNING DIRECTION  
IS VIEWED FROM THE SHAFT  
TOWARD THE PUMP.

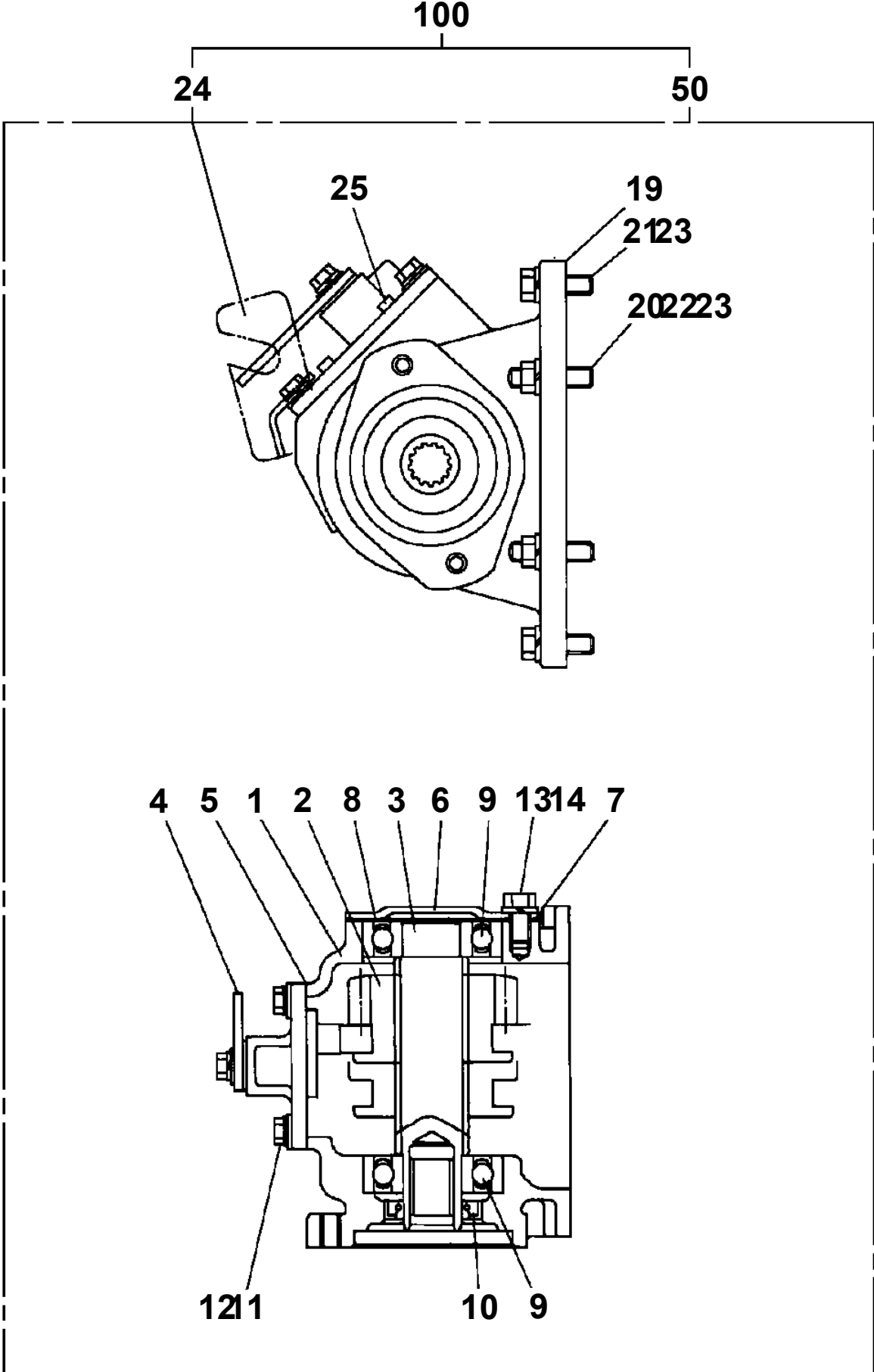
[注 意]

- (1) ポンプ型式番号はポンプ本体の銘板に打刻しています。
- (2) ポンプの回転方向はポンプの軸端から見ての回転方向です。

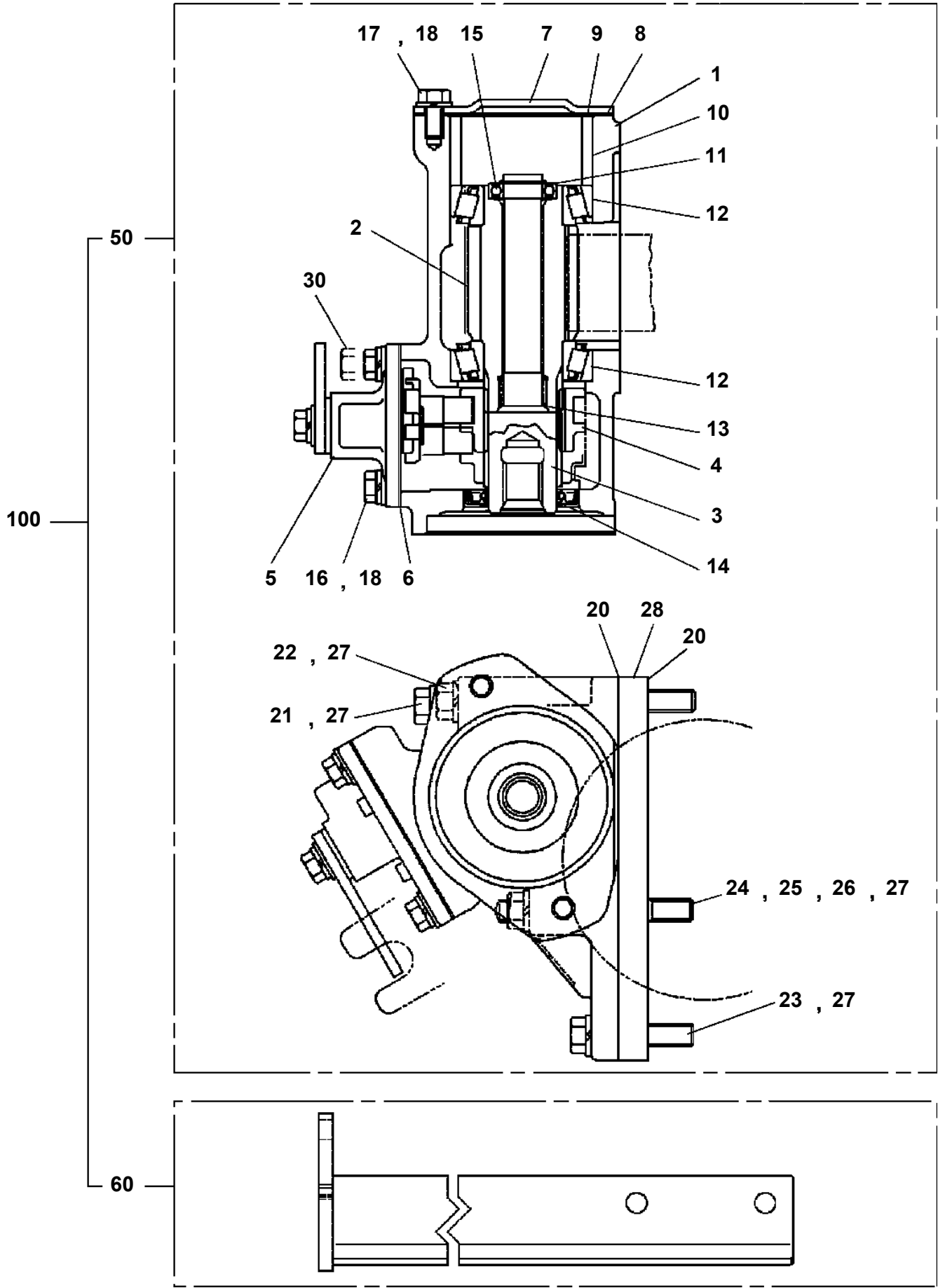
TM-ZR500 31094010740A FRAME/SL,RADIO CONT.,NABI HOOK  
PB1030116-01 POWER TAKE OFF



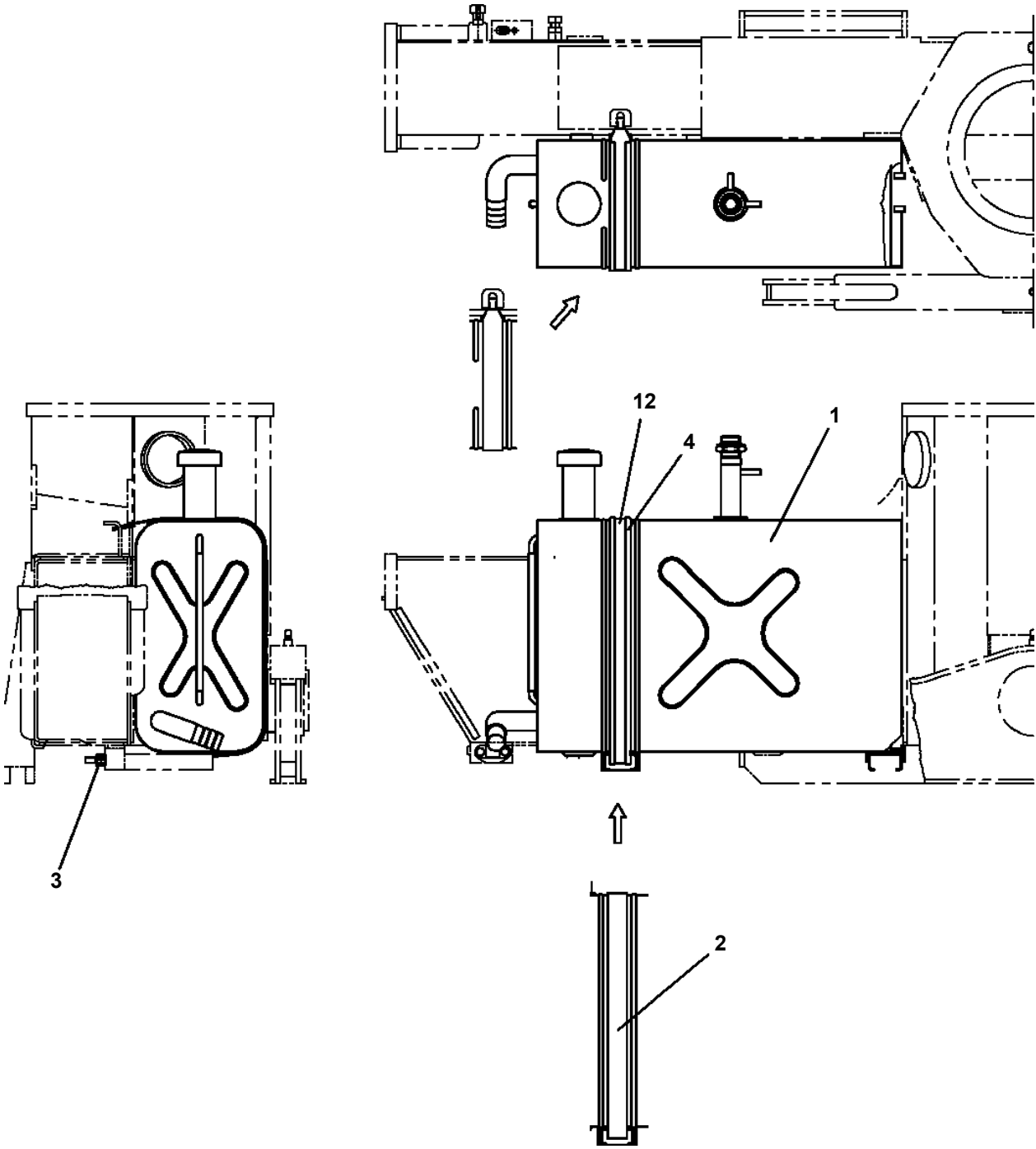
TM-ZR500 31094010740A FRAME/SL,RADIO CONT.,NABI HOOK  
PB1030141-01 POWER TAKE OFF



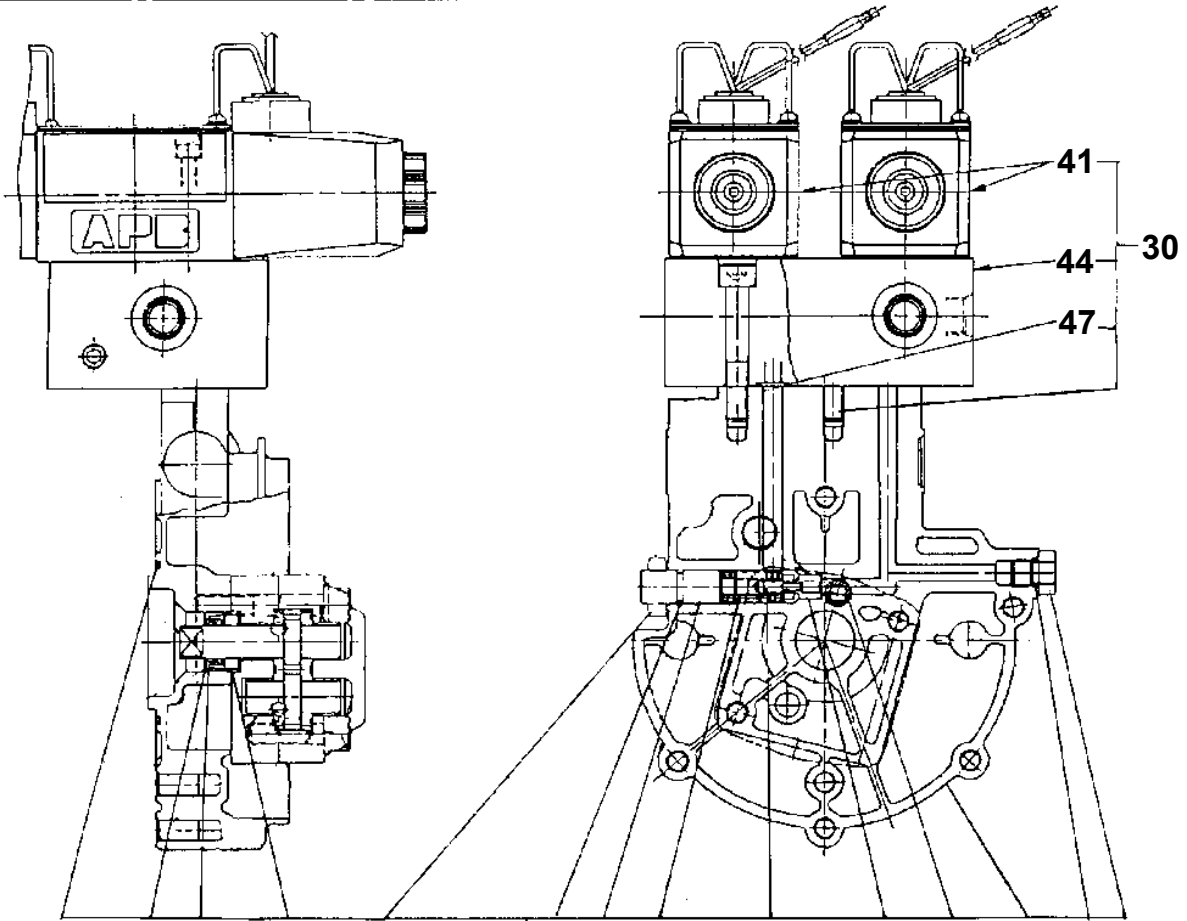
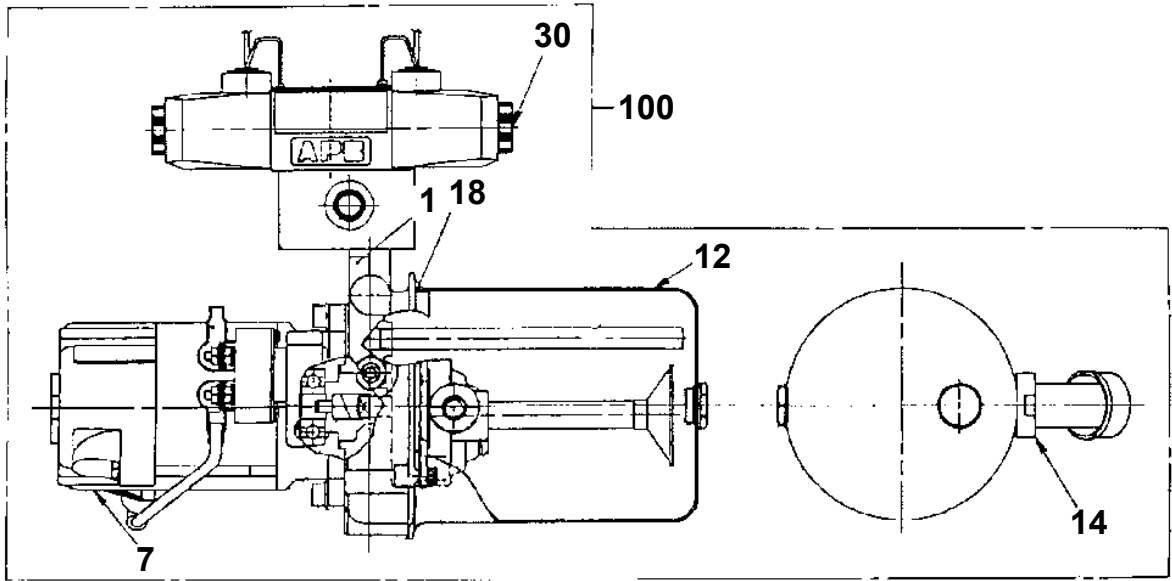
TM-ZR500 31094010740A FRAME/SL,RADIO CONT.,NABI HOOK  
PB1030234-01 POWER TAKE OFF



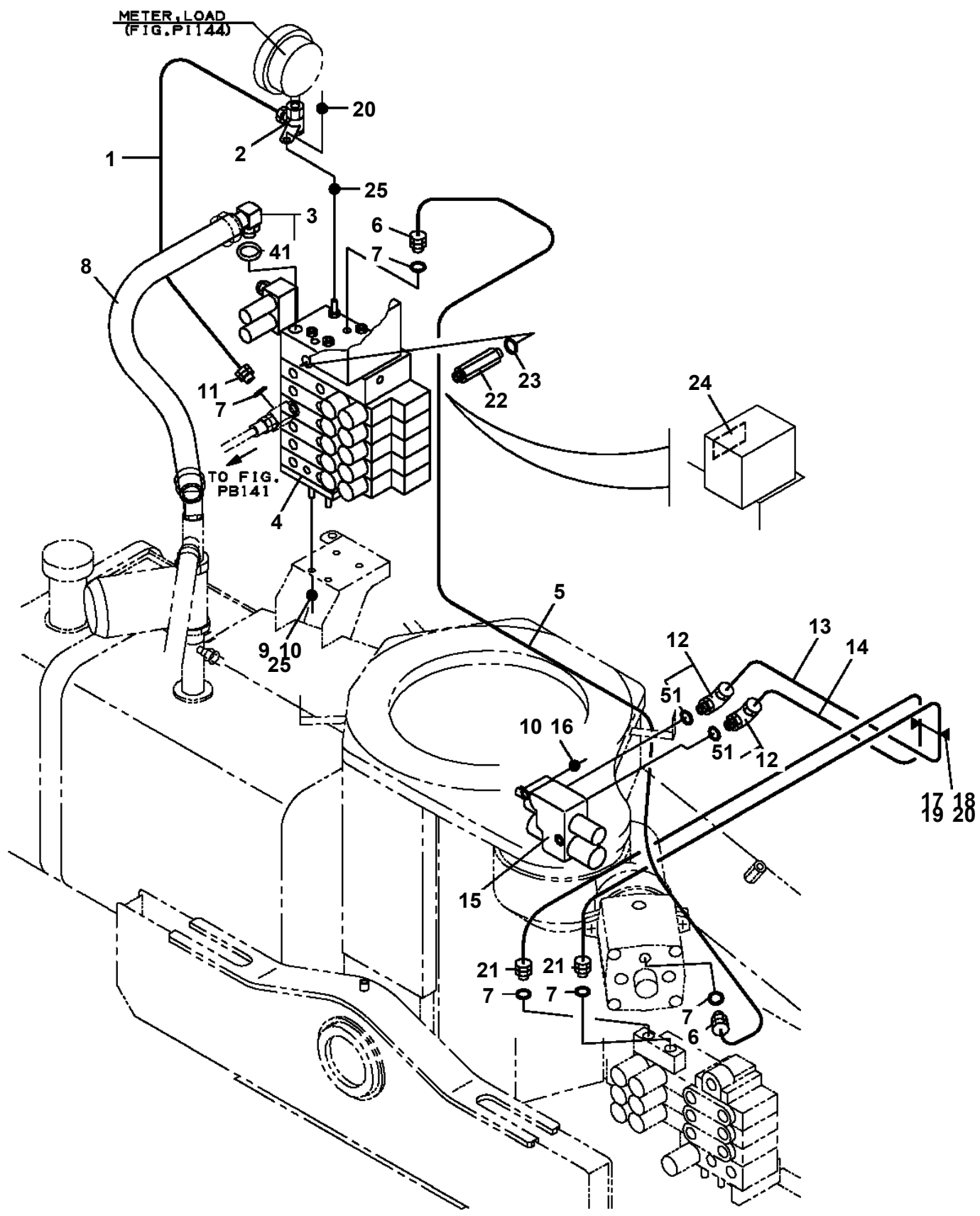
TM-ZR500 31094010740A FRAME/SL,RADIO CONT.,NABI HOOK  
PB1130217-01 TANK,OIL (MOUNT)



TM-ZR500 31094010740A FRAME/SL,RADIO CONT.,NABI HOOK  
PB1380052-00 POWER SUPPLY



TM-ZR500 31094010740A FRAME/SL,RADIO CONT.,NABI HOOK  
PB1411299-00 PIPING,LOWER (REMOTE CONT.VALVE/SANWA)

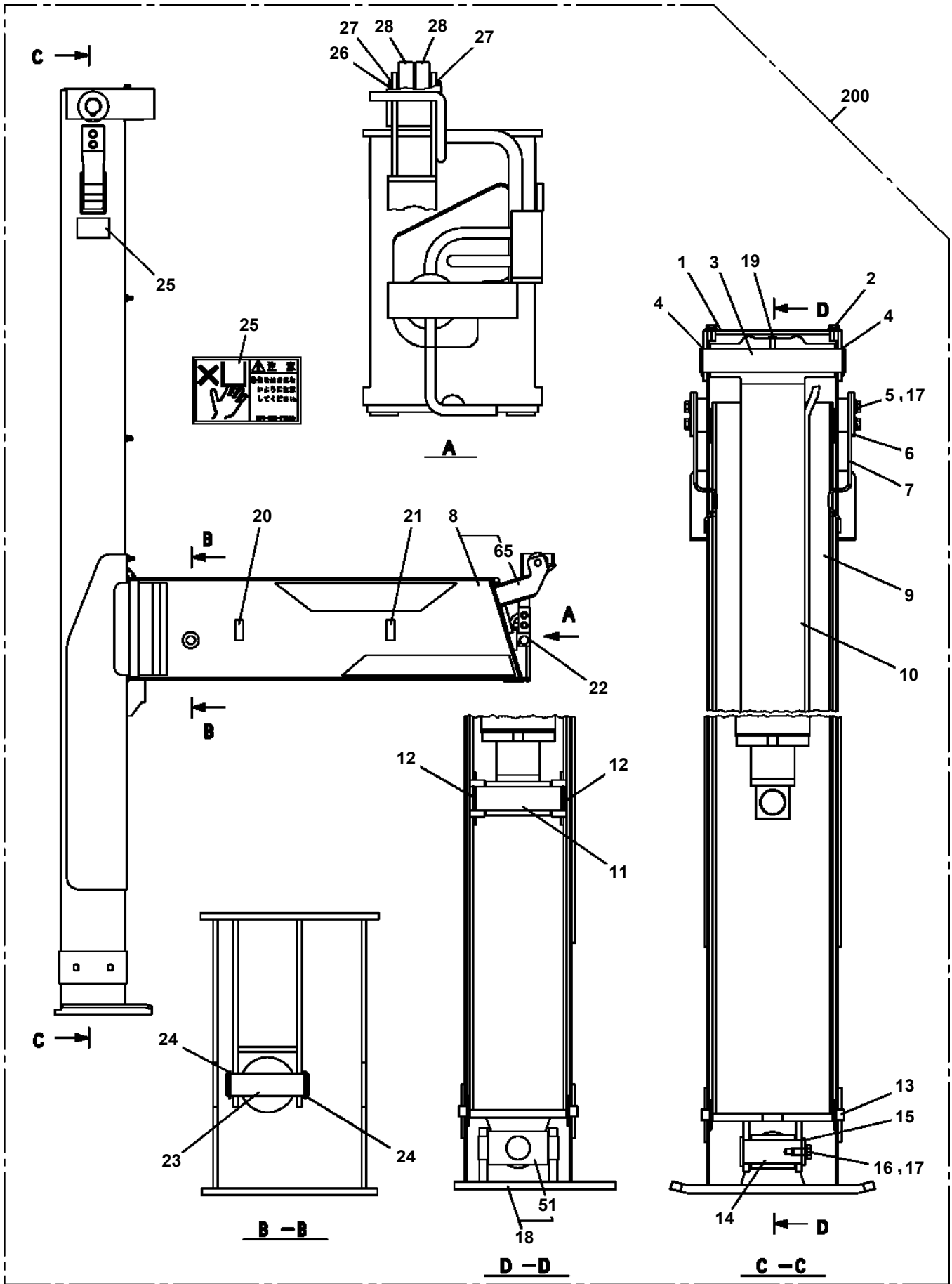


**TM-ZR500 31094010740A FRAME/SL,RADIO CONT.,NABI HOOK  
PB2000050-00 POWER TAKE OFF & PUMP**

- 1
  - POWER TAKE OFF ASSY
  - PTO ASSYの選定

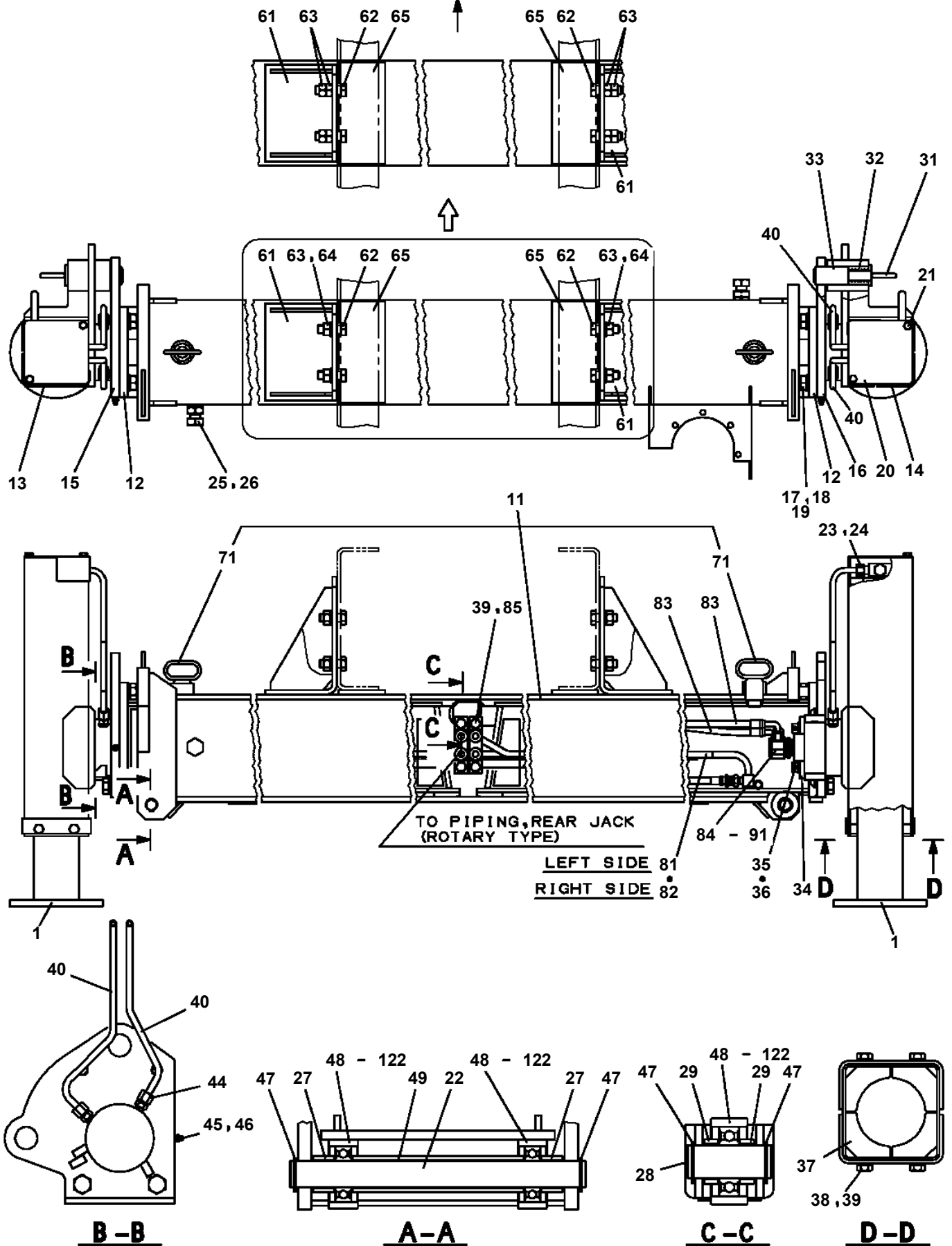
- 2
  - PUMP ASSY
  - ポンプASSYの選定

**TM-ZR500 31094010740A FRAME/SL,RADIO CONT.,NABI HOOK  
PC1010852-01 OUTRIGGER (RIGHT/H=750)**

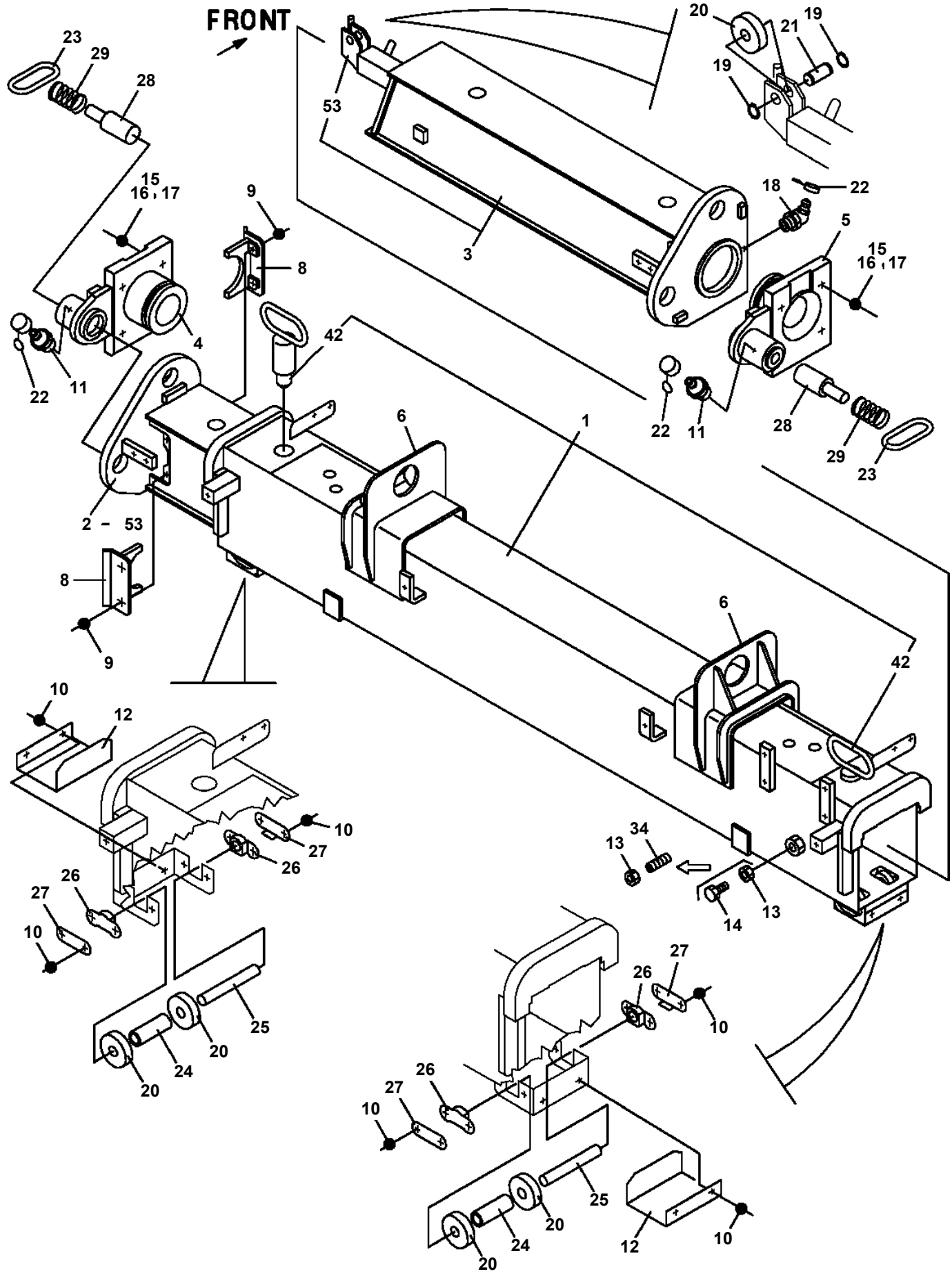


**TM-ZR500 31094010740A FRAME/SL,RADIO CONT.,NABI HOOK  
PC1020005-01 OUTRIGGER,REAR (ROTARY/HIGH TRUK BED)**

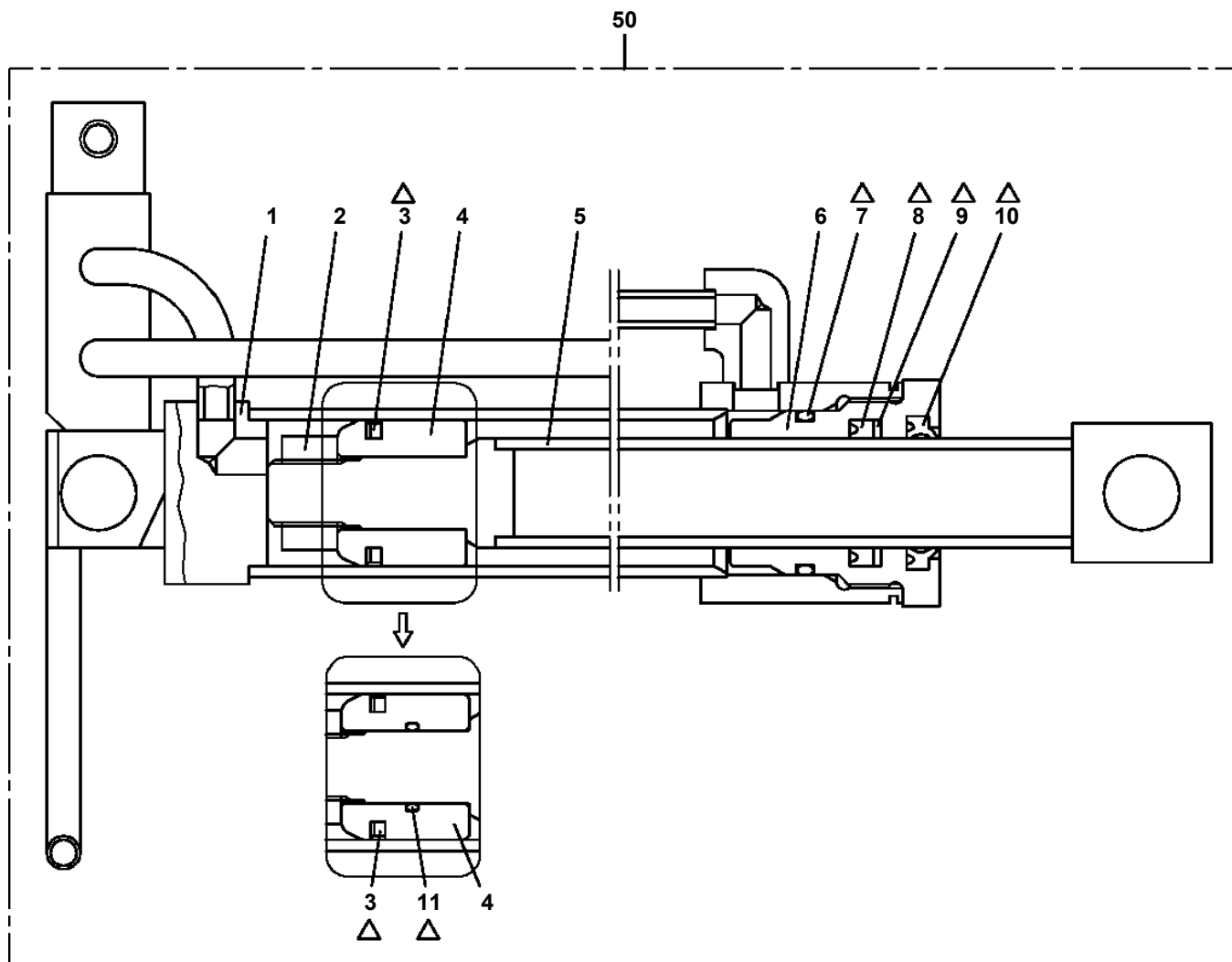
**FRONT**



TM-ZR500 31094010740A FRAME/SL,RADIO CONT.,NABI HOOK  
PC1020095-02 OUTRIGGER,REAR (FRAME)



TM-ZR500 31094010740A FRAME/SL,RADIO CONT.,NABI HOOK  
 PC1050129-02 CYLINDER,EXTENSION (RIGHT)

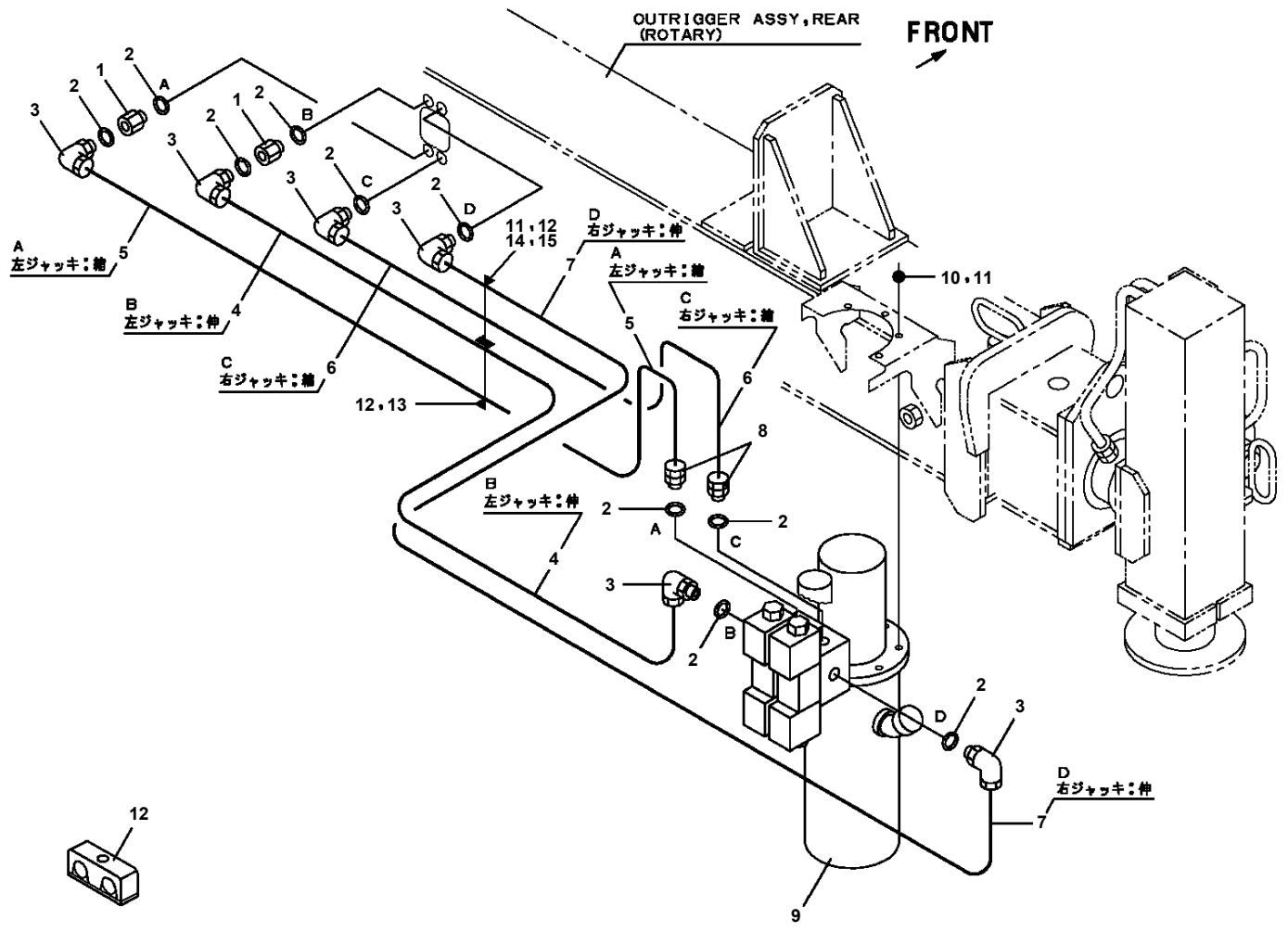


Δ:PACKING SET KEY NO.40 (KEY NO.3,7,8,9,10,11)



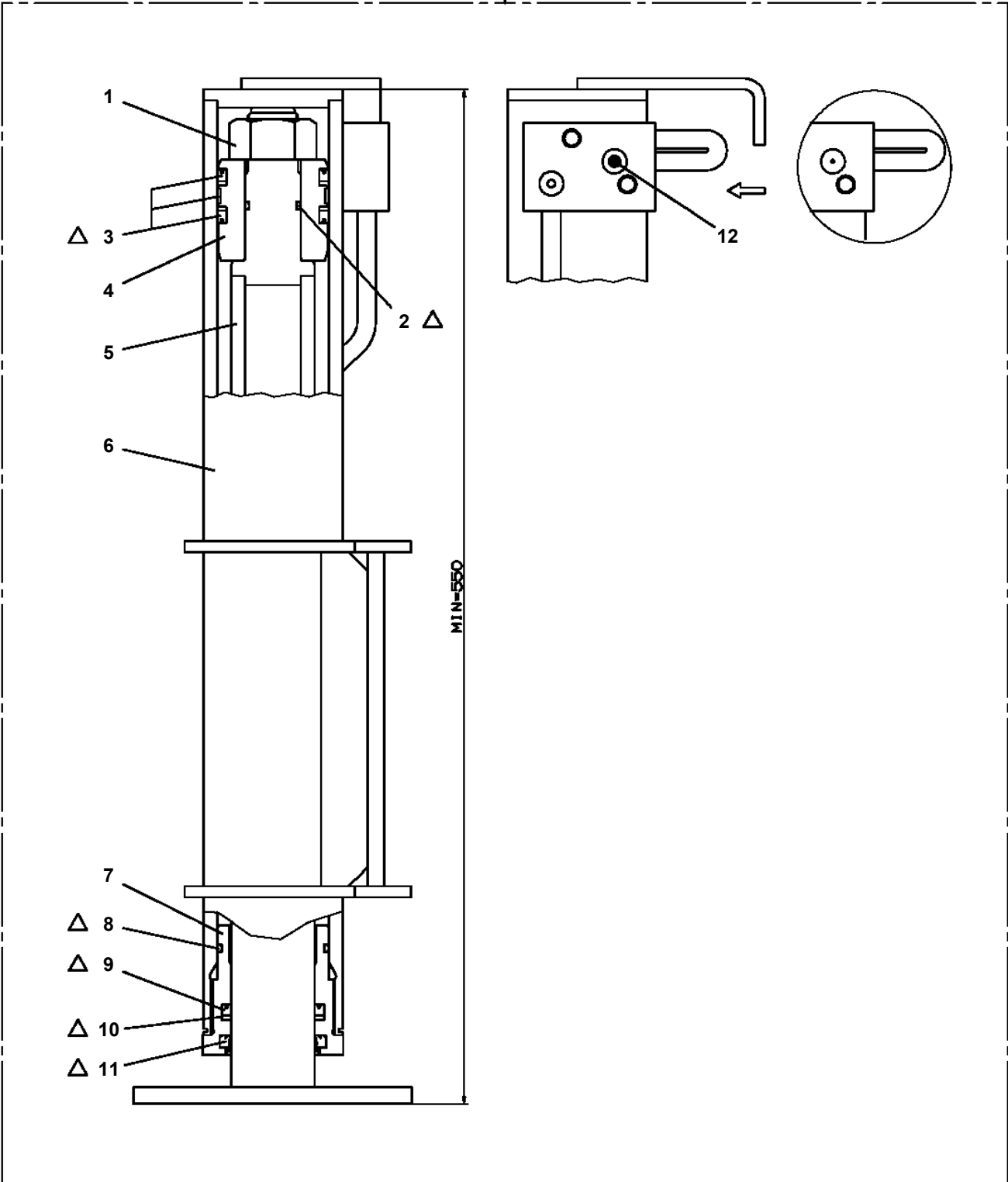
Δ:PACKING SET KEY NO.30 (KEY NO.3,7,8,9,10)

TM-ZR500 31094010740A FRAME/SL,RADIO CONT.,NABI HOOK  
 PC1230023-03 PIPING,REAR JACK (ROTARY TYPE)



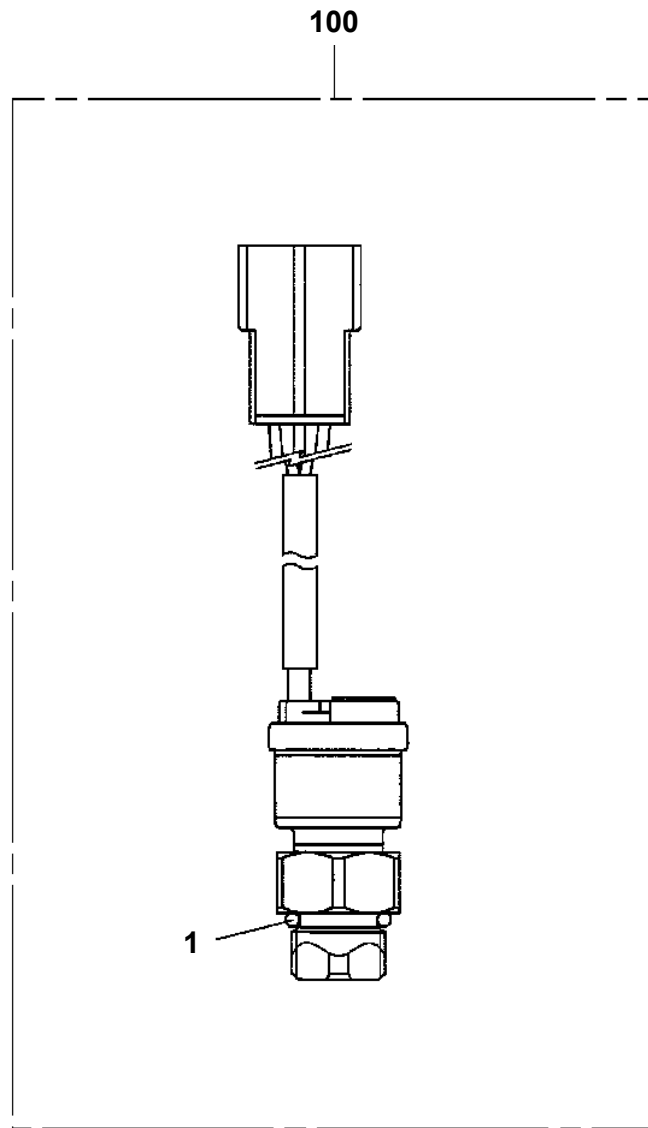
TM-ZR500 31094010740A FRAME/SL,RADIO CONT.,NABI HOOK  
PC6390046-02 CYLINDER ASSY,JACK (MIN.550)

100



Δ:PACKING SET KEY NO.50 (KEY NO.2,3,8,9,10,11)

TM-ZR500 31094010740A FRAME/SL,RADIO CONT.,NABI HOOK  
PD5120001-00 DETECTOR ASSY,MOMENT



# TM-ZR500 31094010740A FRAME/SL,RADIO CONT.,NABI HOOK

Pos No.	Parts No	Parts Name	Qty	Unit	Technical Data	Serial No (Start)	Serial No (End)	Remarks	Pages
1	(*****)	ELEC.ASSY	1						000077
2	(*****)	NAME PLATE ASSY	1						000195
6	(*****)	NAME PLATE ASSY	1			EW5625			000196

# TM-ZR500 31094010740A FRAME/SL,RADIO CONT.,NABI HOOK

Pos No.	Parts No	Parts Name	Qty	Unit	Technical Data	Serial No (Start)	Serial No (End)	Remarks
1	36072815010	CASE,GEAR	1					
2	36072815020	COVER	1					
3	36072815030	RETAINER (BEARING)	1					
4	36072815040	FRAME	1					
5	36072815050	FRAME	1					
6	36072815060	FLANGE (MOTOR)	1					
7	36072815070	WORM	1					
8	36072815080	WHEEL,WORM	1					
9	36072815090	DRUM,SHAFT	1					
10	36072815100	DRUM	1					
11	36072815110	CLUTCH	1					
12	36072815120	CLUTCH	1					
13	36072815130	COLLAR	1					
14	36072815140	COLLAR	1					
15	36072815150	COLLAR	1					
16	36072815160	PLATE (SHIM)	1					
17	36072815170	ROLLER	1					
18	36072815180	SHAFT (ROLLER)	1					
19	36072815190	ARM (ROLLER)	2					
20	36072815200	SPRING	2					
21	36072815210	BOLT (TENSION)	2					
22	36072815220	GUIDE (WIRE)	1					
23	36072815230	STAND (ROLLAR)	1					
24	36072815240	FORK (CHENGE)	1					
25	36072815250	SHAFT	1					
26	36072815260	GUIDE,BLOCK	1					
27	36072815270	COVER	1					
28	36072815280	PLATE	1					
29	36072815290	CASE	1					
30	36072815300	PLATE	1					
31	36072815310	COVER	1					
32	36072815320	GEAR	1					
33	36072815330	KEY	2					
34	36072815340	KEY	1					
35	36072815350	FACING	1					
36	80500006212	BEARING,BALL	1					
37	80500006012	BEARING,BALL	1					
38	80516006208	BEARING,BALL	1					
39	80516006202	BEARING,BALL	2					
40	36070525350	BEARING,ROLLER	1					
41	36070525360	BEARING,ROLLER	1					
42	91206060003	SEAL,OIL	1					
43	36072815360	SEAL,OIL	1					
44	36072815370	PACKING (SEAT)	1					
45	36072815380	SEAL,DUST	1					
46	36072815390	RING	1					
47	91001207000	O-RING	1		1A G70			
48	91001205500	O-RING	1		1A G55			
49	80601110400	RING,RITAINING	1		S40			
50	90151200100	BOLT,EYE	1		M10			
51	82400000478	BREATHER	1					
52	36070525390	PLUG	1		PT1/2X1/8			
53	80205000300	PLUG	1		PT3/8			
54	90172110060	BOLT,HEXAGON SOCKET	8		M10X60			
55	90172110040	BOLT,HEXAGON SOCKET	6		M10X40			
56	90302041001	WASHER,SPRING	14		10			
57	90101508025	BOLT	12		M8X25			
58	90171112030	BOLT	4		M12X30			
59	90171116035	BOLT	4		M16X35			
60	90171110045	BOLT	2		M10X45			
61	90171106010	BOLT,HEXAGON SOCKET	4		M6X10			
62	36072815400	PIN (PARALLEL)	2					
63	80205000200	PLUG	1		PT1/4			

# TM-ZR500 31094010740A FRAME/SL,RADIO CONT.,NABI HOOK

Pos No.	Parts No	Parts Name	Qty	Unit	Technical Data	Serial No (Start)	Serial No (End)
1	(*****)	MOUNT,WINCH (4T SELF)	1				
2	(*****)	OPE.ASSY,CLUTCH (SL WINCH,RADIO CONTROL)	1				
3	(*****)	PIPING,WINCH (4TON SELF)	1				
4	(*****)	ELEC.ASSY (SL,F-RADIO CONTROL/SWITCH)	1				
5	(*****)	PLATE ASSY.NAME (ACC.,CLUTCH,SL WINCH)	1				
7	(*****)	HOOK (SELF, 4TONX1-PART LINE)	1				

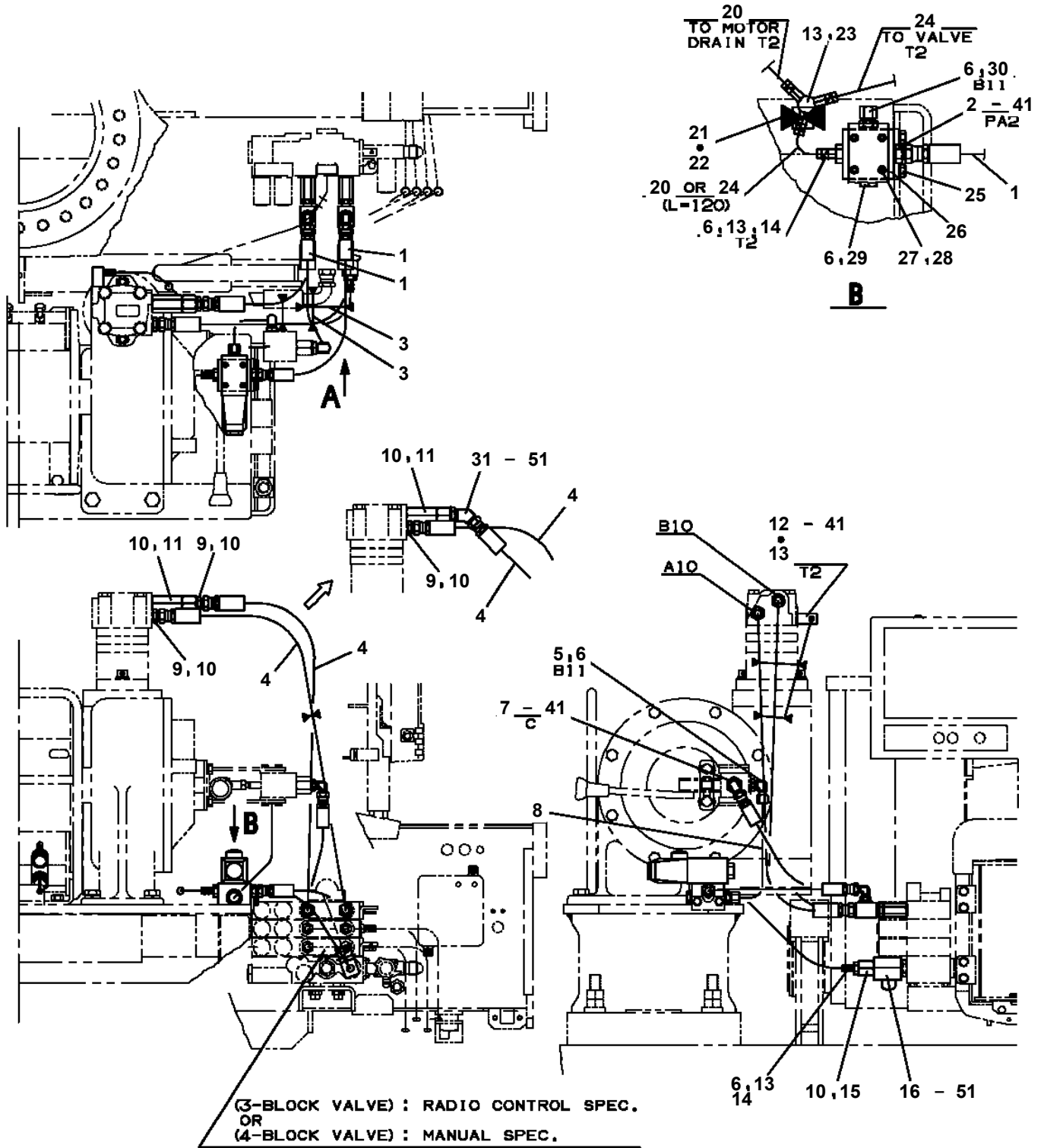
# TM-ZR500 31094010740A FRAME/SL,RADIO CONT.,NABI HOOK

Pos No.	Parts No	Parts Name	Qty	Unit	Technical Data	Serial No (Start)	Serial No (End)	Remarks	Pa
5	36094025010	PLATE	2						
6	36094025020	SHEAVE	1						
7	36094025030	BUSH	1						
8	36094025040	SHAFT (M20 NUT,PIN)	1						
11	36094025050	PLATE	1						
12	36094025060	BOLT (STAY)	1						
14	36094025070	BOLT (STAY)	1						
21	36094025080	STOPPER ASSY	1						
50	36094020000	HOOK (10TON)	1						

# TM-ZR500 31094010740A FRAME/SL,RADIO CONT.,NABI HOOK

Pos No.	Parts No	Parts Name	Qty	Unit	Technical Data	Serial No (Start)	Serial No (End)	Remarks	Pages
2	90171110014	BOLT	1		M10X14				
3	90302041001	WASHER,SPRING	1		10				
4	37002600480	SOCKET,ROPE	1		12.5				
5	37002600220	WEDGE	1		12.5				
6	37000124510	PIN	1						
7	80136363040	PIN,SPLIT	1		6.3X40				
21	36090710000	HOOK (5TON)	1						000095
22	31478211100	PLATE,NAME	1						

**TM-ZR500 31094010740A FRAME/SL,RADIO CONT.,NABI HOOK  
PF1200294-04 PIPING,WINCH (4TON SELF)**



# TM-ZR500 31094010740A FRAME/SL,RADIO CONT.,NABI HOOK

Pos No.	Parts No	Parts Name	Qty	Unit	Technical Data	Serial No (Start)	Serial No
1	31625400100	CASE,OUTER	1				
2	31623762000	CASE,INNER	2				
3	31621343000	CASE (LEFT H=555)	1				
4	31621344000	CASE (RIGHT H=555)	1				
5	31625400300	SUPPORT	1				
6	31625400400	SUPPORT	1				
7	90171118040	BOLT	8		M18X40		
8	90302041801	WASHER,SPRING	8		18		
9	31200713400	SHIM	2		T=0.6		
10	31621340401	COVER	2				
11	90186208016	BOLT,FLANGE	4		M8X16		
12	37000162930	PIN	2				
13	80306010085	NUT	4				
14	80309010085	SLEEVE	4				
15	31620386000	BOLT	2				
16	90203252000	NUT	2				
17	37000300170	SPACER	4		L=16		
18	42310210500	PIN	2				
19	37000308620	SPACER	4				
21	37003100030	GRIP	2				
22	37001200720	SPRING	2				
23	31621340200	PIN	2				
24	31621340100	PLATE	2				
25	90172112030	BOLT,HEXAGON SOCKET	12		M12X30		
26	90302401201	WASHER,SPRING (12)	12				
27	31620437000	GUIDE	8				
28	90101210025	BOLT	8		M10X25		
29	90302041001	WASHER,SPRING	8		10		
30	81408000130	PIPE,STEEL	1	M	10X1.8T		EW8133
	81408000100	PIPE,STEEL	1	M	10X1.2T	EW8134	
31	81408000130	PIPE,STEEL	1	M	10X1.8T		EW8133
	81408000100	PIPE,STEEL	1	M	10X1.2T	EW8134	
32	81408000130	PIPE,STEEL	1	M	10X1.8T		EW8133
	81408000100	PIPE,STEEL	1	M	10X1.2T	EW8134	
33	81408000130	PIPE,STEEL	1	M	10X1.8T		EW8133
	81408000100	PIPE,STEEL	1	M	10X1.2T	EW8134	
34	80302010100	FITTING	4		KCT10-020N		
35	82456201000	NIPPLE,GREASE	2		A-TYPE PT1/8		EW8052
	82456101000	NIPPLE,GREASE	2		A-PT1/8	EW8053	
37	80601110200	RING,RITAINING	8		S20		
38	37001100660	ROLLER ASSY	6				
39	37000303100	SPACER	2		L=129		
61	31622141200	PIN ASSY	2				
71	31642900100	PIPE ASSY (LEFT)	1				
72	31642900200	PIPE ASSY (RIGHT)	1				
73	37002408200	HOSE	4		L=1060		
74	44340295000	JOINT,SWIVEL	4		PT1/4XPF1/4		
75	90101210020	BOLT	4		M10X20		
76	90302041001	WASHER,SPRING	4		10		
91	44340297520	REPAIR KIT (O-RINGX2 BACKUPX2SEALX2)	4				
102	80516006004	BEARING,BALL	6				

# TM-ZR500 31094010740A FRAME/SL,RADIO CONT.,NABI HOOK

Pos No.	Parts No	Parts Name	Qty	Unit	Technical Data	Serial No (Start)	Serial No (End)	Remarks	Pages
1	31360803100	SUPPORT	1				EW0738		
	31360843100	SUPPORT	1			EW0739	EW2199		
	31360843101	SUPPORT	1			EW2200			
2	90186208014	BOLT,FLANGE	5		M8X14		EW0738		
	90186208014	BOLT,FLANGE	2		M8X14	EW0739			
3	90280200800	NUT,FLANGE	1		M8		EW0738		
4	31360803300	PLATE	1						
6	31630482500	CAP	1						
7	31360743200	PLATE	2						
8	31360743400	SUPPORT	2						
	31360743401	SUPPORT	1			EW2200			
9	90186206035	BOLT,FLANGE	4		M6X35				
10	82108901240	SWITCH	2						
11	90101204020	BOLT	6		M4X20				
12	90302040401	WASHER,SPRING	6		4				
13	90303070401	WASHER,PLAIN	6		4				
14	90201200400	NUT	6		M4				
15	31360803500	SUPPORT	1						
16	90186206010	BOLT,FLANGE	2		M6X10				
17	82108901250	SWITCH	1						
18	82401600506	CLAMP	1		D6.5				
19	31360803200	PLATE	2						
21	90186208010	BOLT,FLANGE	4		M8X10	EW0739			
22	31360743701	SUPPORT	1			EW2200			
31	31360742400	SUPPORT	1						

# TM-ZR500 31094010740A FRAME/SL,RADIO CONT.,NABI HOOK

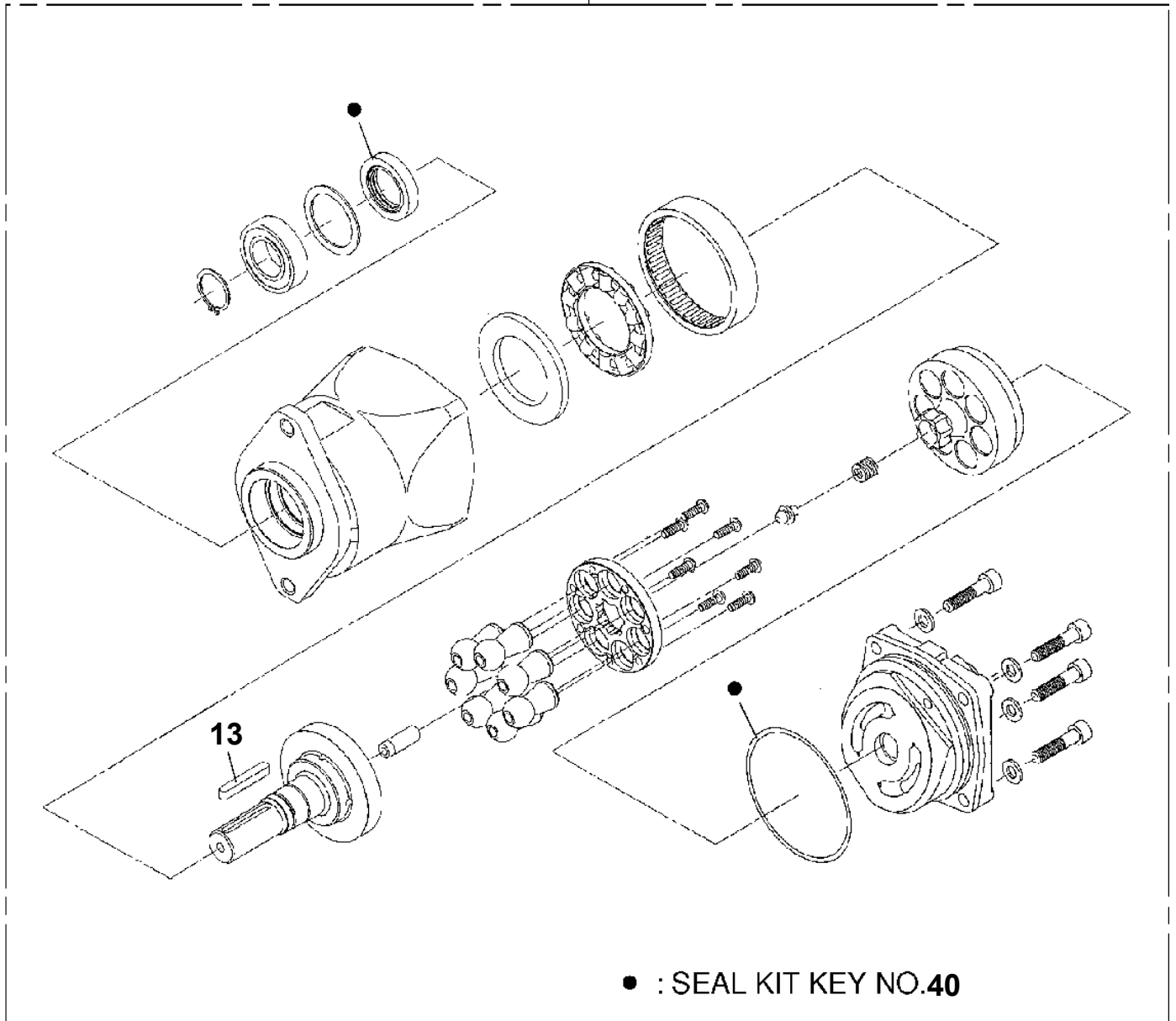
Pos No.	Parts No	Parts Name	Qty	Unit	Technical Data	Serial No (Start)	Serial No (End)	Remarks	Pages
1	31360741200	HARNESS	1						

# TM-ZR500 31094010740A FRAME/SL,RADIO CONT.,NABI HOOK

Pos No.	Parts No	Parts Name	Qty	Unit	Technical Data	Serial No (Start)	Serial No (End)	Remarks	Pages
1	31360804100	HARNESS	1						

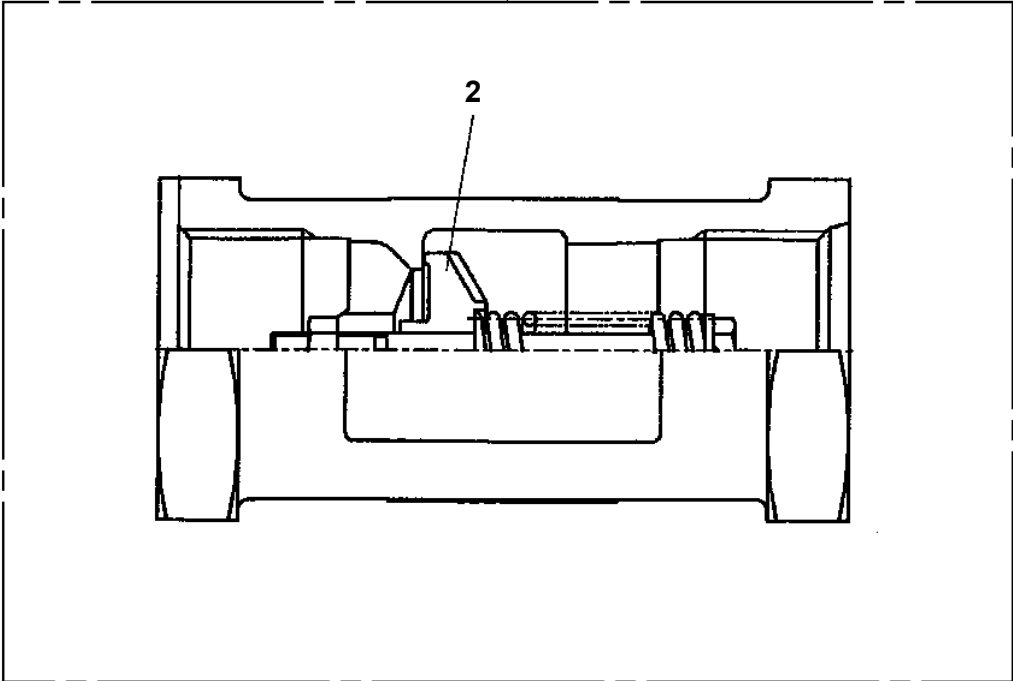
**TM-ZR500 31094010740A FRAME/SL,RADIO CONT.,NABI HOOK  
PI1010152-00 MOTOR,HYDRAULIC (WINCH)**

50

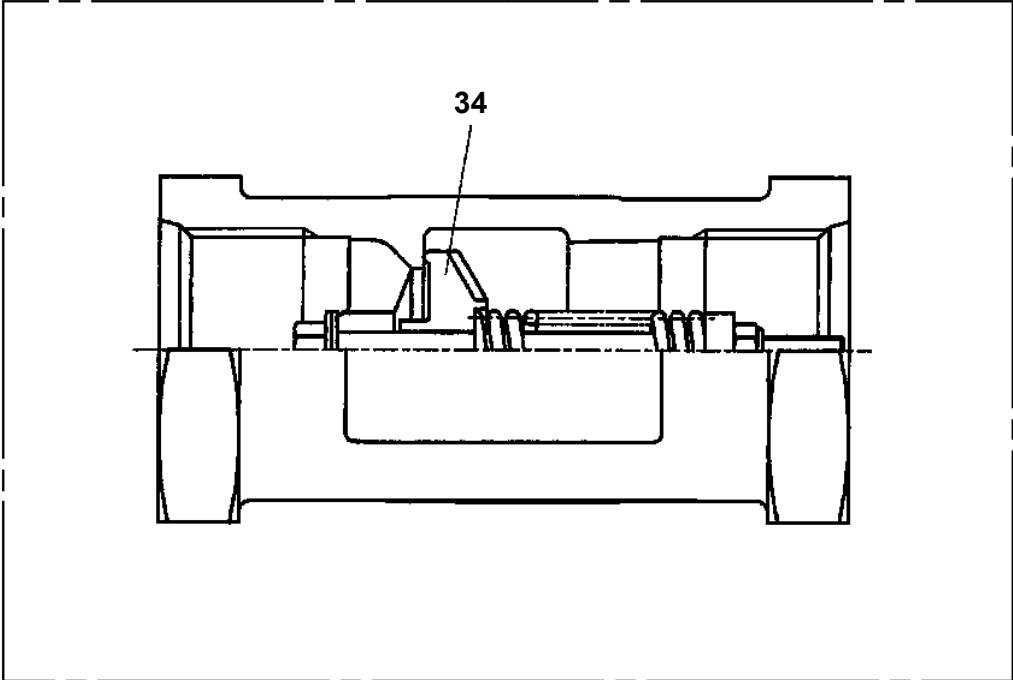


TM-ZR500 31094010740A FRAME/SL,RADIO CONT.,NABI HOOK  
PI1140229-00 VALVE,CHECK

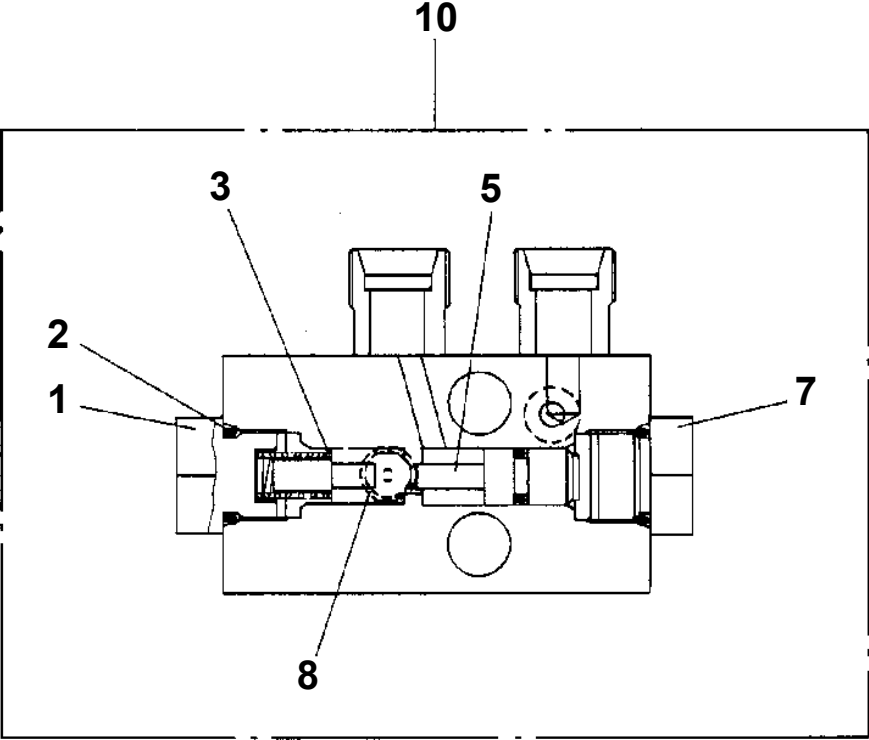
100



100



TM-ZR500 31094010740A FRAME/SL,RADIO CONT.,NABI HOOK  
PI1280162-00 VALVE,PILOT CHECK



TM-ZR500 31094010740A FRAME/SL,RADIO CONT.,NABI HOOK  
PJ3410027-00 LOCK ASSY (BOOM,JACK INTERLOCK)

指示番号 KEY NO.	ロックASSY (フーム・ジャッキインターロック) LOCK ASSY (BOOM,JACK INTERLOCK)
1	マウント MOUNT
2	パイピング ,ロー PIPING,LOWER
3	ハイセンASSY (クレーン) ELEC.ASSY (CRANE)
4	ハイセンASSY (キャリア) ELEC.ASSY (CARRIER)
6	プレートASSY ,ネーム PLATE ASSY,NAME

CLICK HERE TO **DOWNLOAD** THE COMPLETE MANUAL

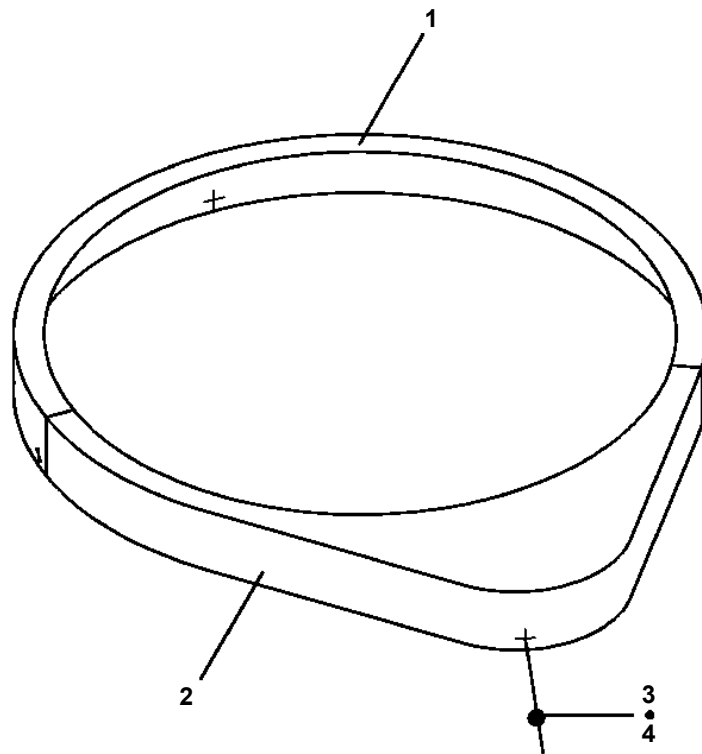
- Thank you very much for reading the preview of the manual.
- You can download the complete manual from: [www.heydownloads.com](http://www.heydownloads.com) by clicking the link below



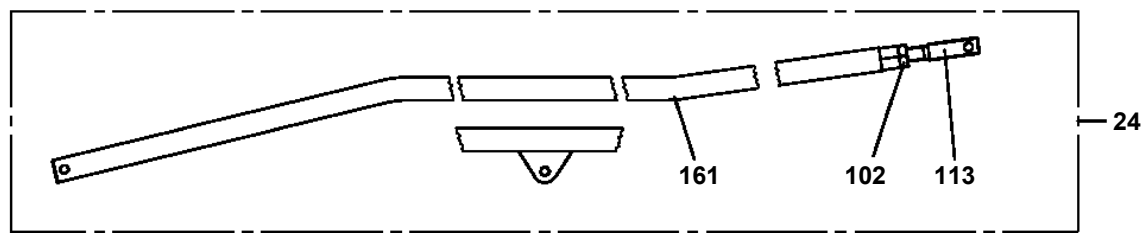
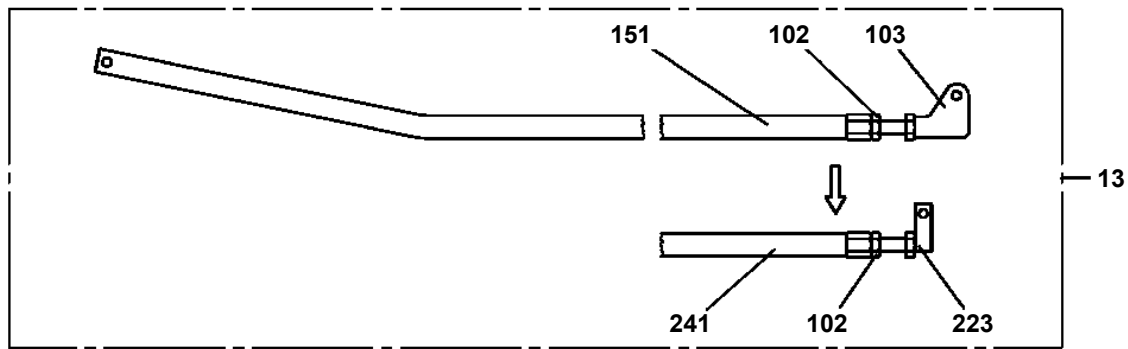
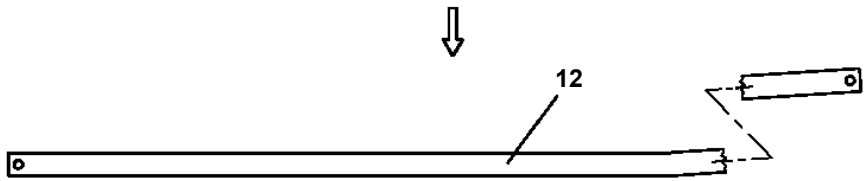
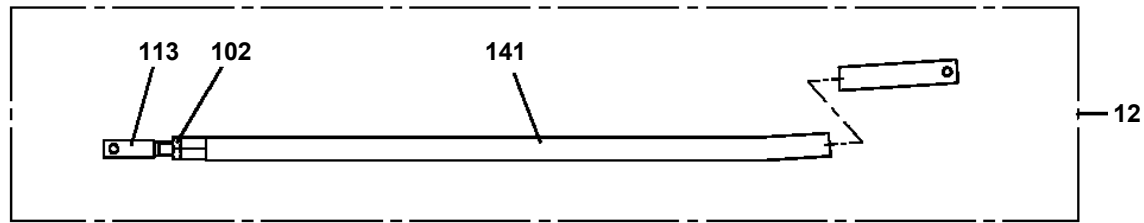
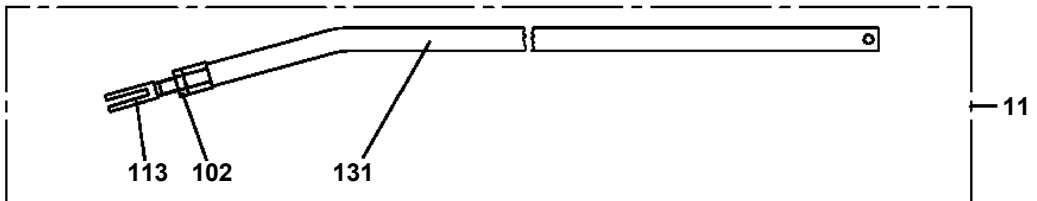
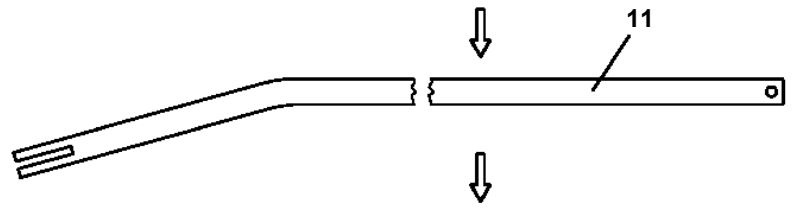
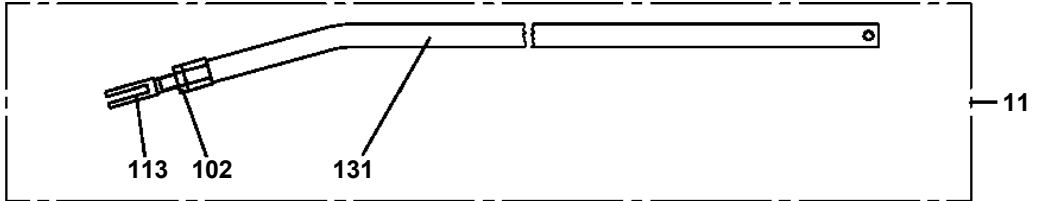
- Please note: If there is no response to CLICKING the link, please download this PDF first and then click on it.

CLICK HERE TO **DOWNLOAD** THE COMPLETE MANUAL

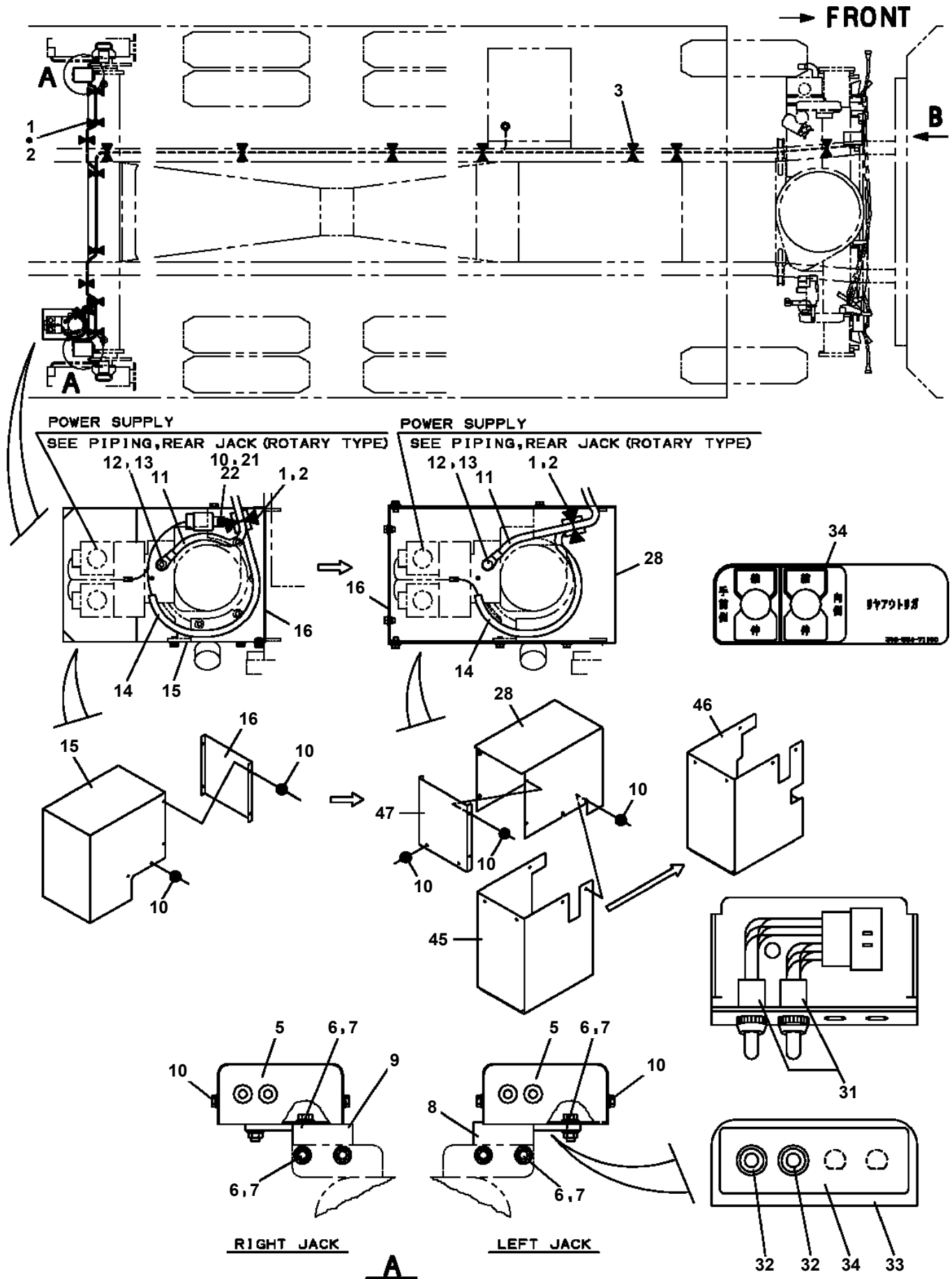
TM-ZR500 31094010740A FRAME/SL,RADIO CONT.,NABI HOOK  
PK1130007-00 COVER,BEARING



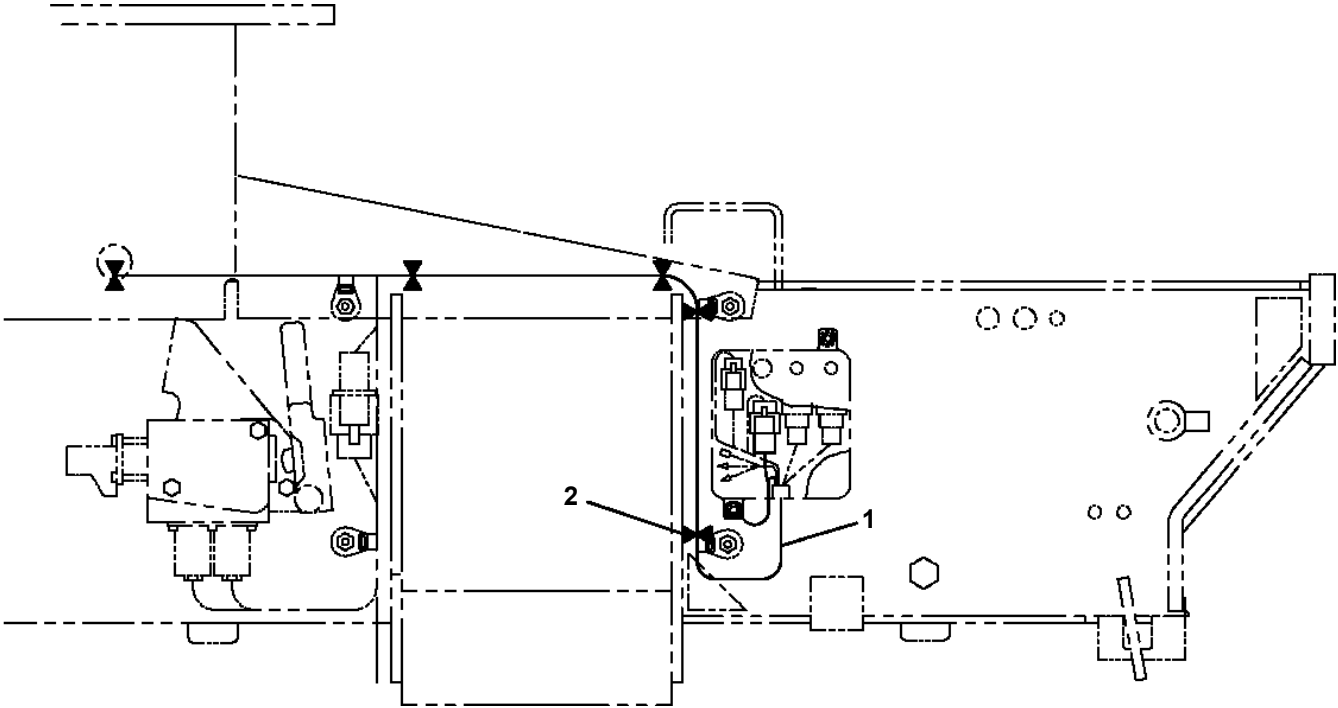
TM-ZR500 31094010740A FRAME/SL,RADIO CONT.,NABI HOOK  
PL1010956-03 OPE.ASSY,CONT.VALVE (CRANE)



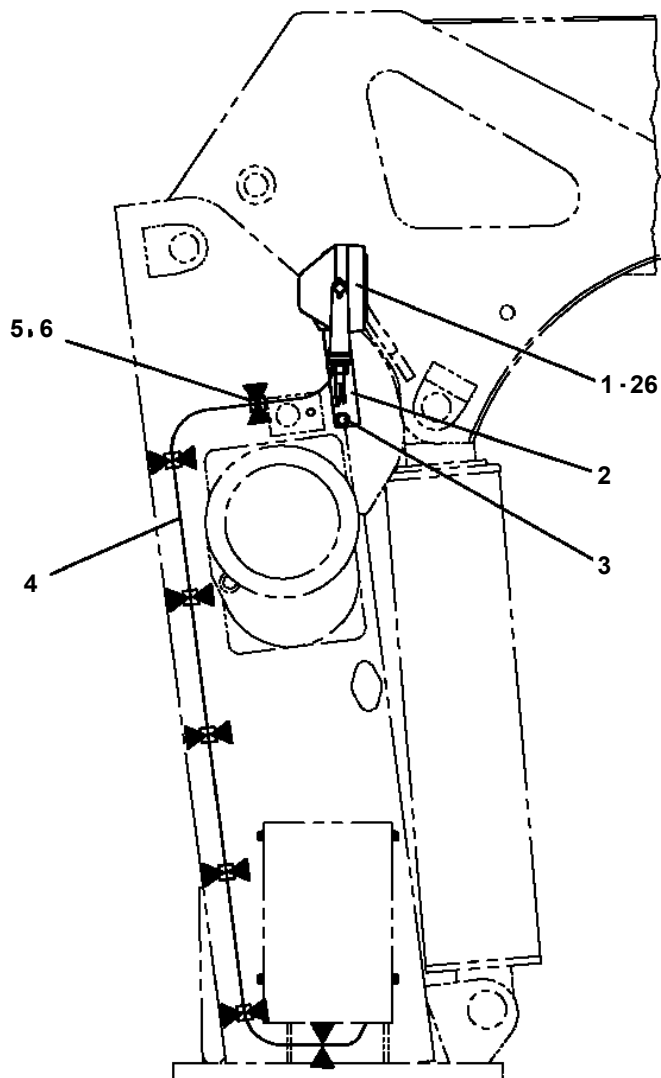
**TM-ZR500 31094010740A FRAME/SL,RADIO CONT.,NABI HOOK  
PN1012526-04 ELEC.ASSY (REAR OUTRIGGER,ROTARY)**



TM-ZR500 31094010740A FRAME/SL,RADIO CONT.,NABI HOOK  
PN1012946-00 ELEC.ASSY (FRAME)



TM-ZR500 31094010740A FRAME/SL,RADIO CONT.,NABI HOOK  
PN1013264-01 ELEC.ASSY (24V-60W LAMP/POST)



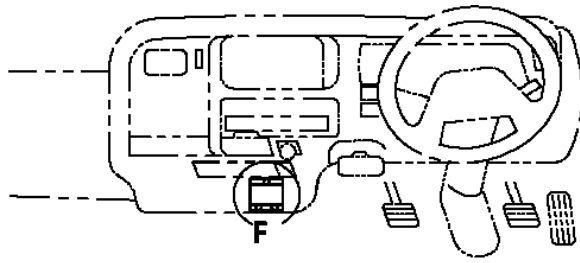
# TM-ZR500 31094010740A FRAME/SL,RADIO CONT.,NABI HOOK

Pos No.	Parts No	Parts Name	Qty	Unit	Technical Data	Serial No (Start)	Serial No (End)	Remarks	Pages
1	31654034100	COVER	3						
2	82100002596	RELAY	12						
3	82161201010	RELAY	2						
5	90280200600	NUT,FLANGE	16		M6				
6	80192486012	SCREW,MACHINE	14		M6X12				
7	31654981000	SUPPORT	1						
8	90186206010	BOLT,FLANGE	4		M6X10				
9	31655160100	HARNESS	1						
10	31654980200	CABLE ASSY	1		L=8500				
11	91850310405	CLAMP (BLACK)	12						
12	91810130240	FASTENER	24						
13	90101212020	BOLT	2		M12X20				
14	90302041201	WASHER,SPRING	2		12				
39	82100000745	FUSE	1		10A,6.5X30				
40	82100002832	HOLDER,FUSE	1						

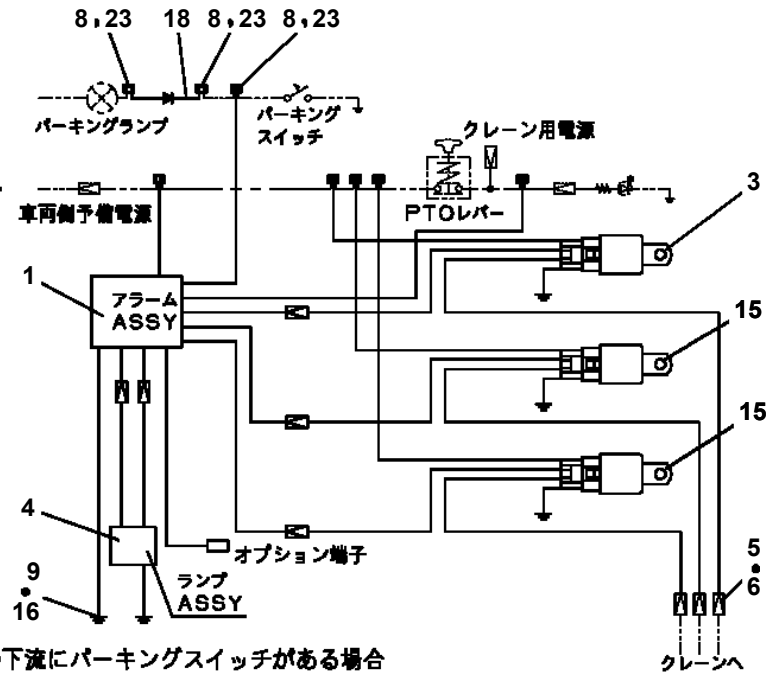
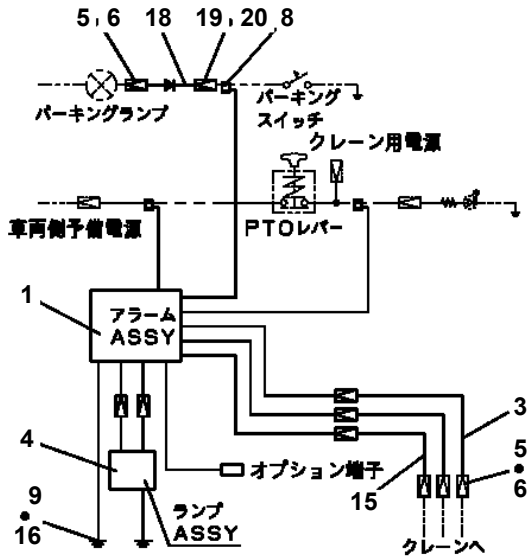
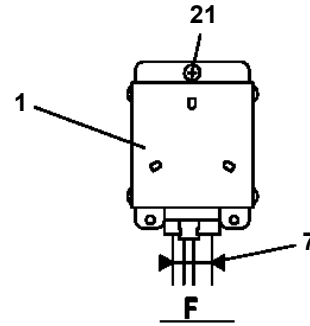
# TM-ZR500 31094010740A FRAME/SL,RADIO CONT.,NABI HOOK

Pos No.	Parts No	Parts Name	Qty	Unit	Technical Data	Serial No (Start)	Serial No (End)	Remarks	Pages
1	31500891100	HARNESS	1						
2	31500891200	HARNESS	1						
3	31500891300	HARNESS	1						
4	31500891400	HARNESS	1						
5	91850310305	CLAMP	2						
6	91810130240	FASTENER	2						

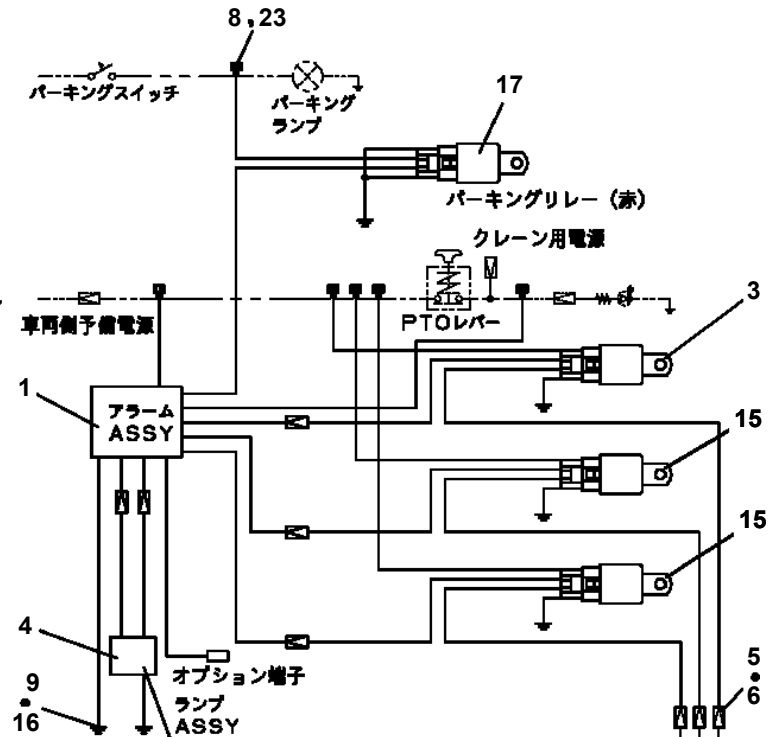
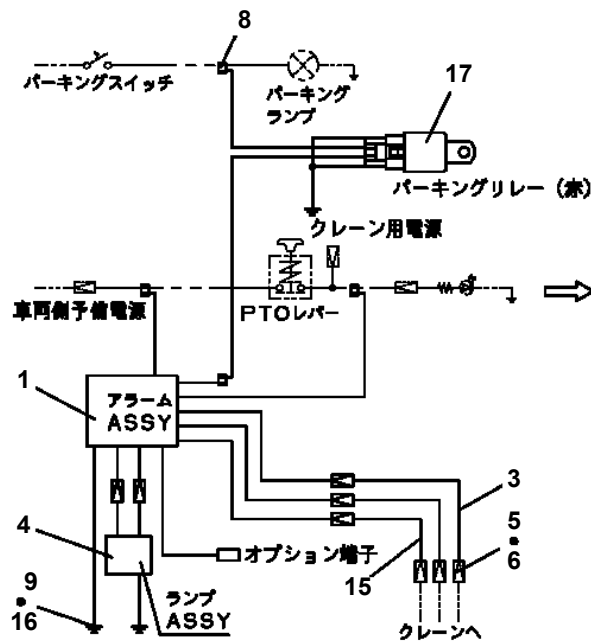
TM-ZR500 31094010740A FRAME/SL,RADIO CONT.,NABI HOOK  
 PN1014341-01 ELEC.ASSY (CARRIER)



アラームASSY取付



パーキングランプの下流にパーキングスイッチがある場合



パーキングランプの上流にパーキングスイッチがある場合

# TM-ZR500 31094010740A FRAME/SL,RADIO CONT.,NABI HOOK

Pos No.	Parts No	Parts Name	Qty	Unit	Technical Data	Serial No (Start)	Serial No (End)	Re
1	(*****)	ELEC.ASSY (24V-60W LAMP/POST)	1					
2	(*****)	ELEC.ASSY (LAMP,LOWER/FRAME)	1					

# TM-ZR500 31094010740A FRAME/SL,RADIO CONT.,NABI HOOK

Pos No.	Parts No	Parts Name	Qty	Unit	Technical Data	Serial No (Start)	Serial No (End)
1	(*****)	ELEC.ASSY (24V-45W LAMP/BOOM)	1				
2	(*****)	ELEC.ASSY (LAMP,LOWER/FRAME)	1				
3	36161890000	REEL ASSY,CORD	1				

# TM-ZR500 31094010740A FRAME/SL,RADIO CONT.,NABI HOOK

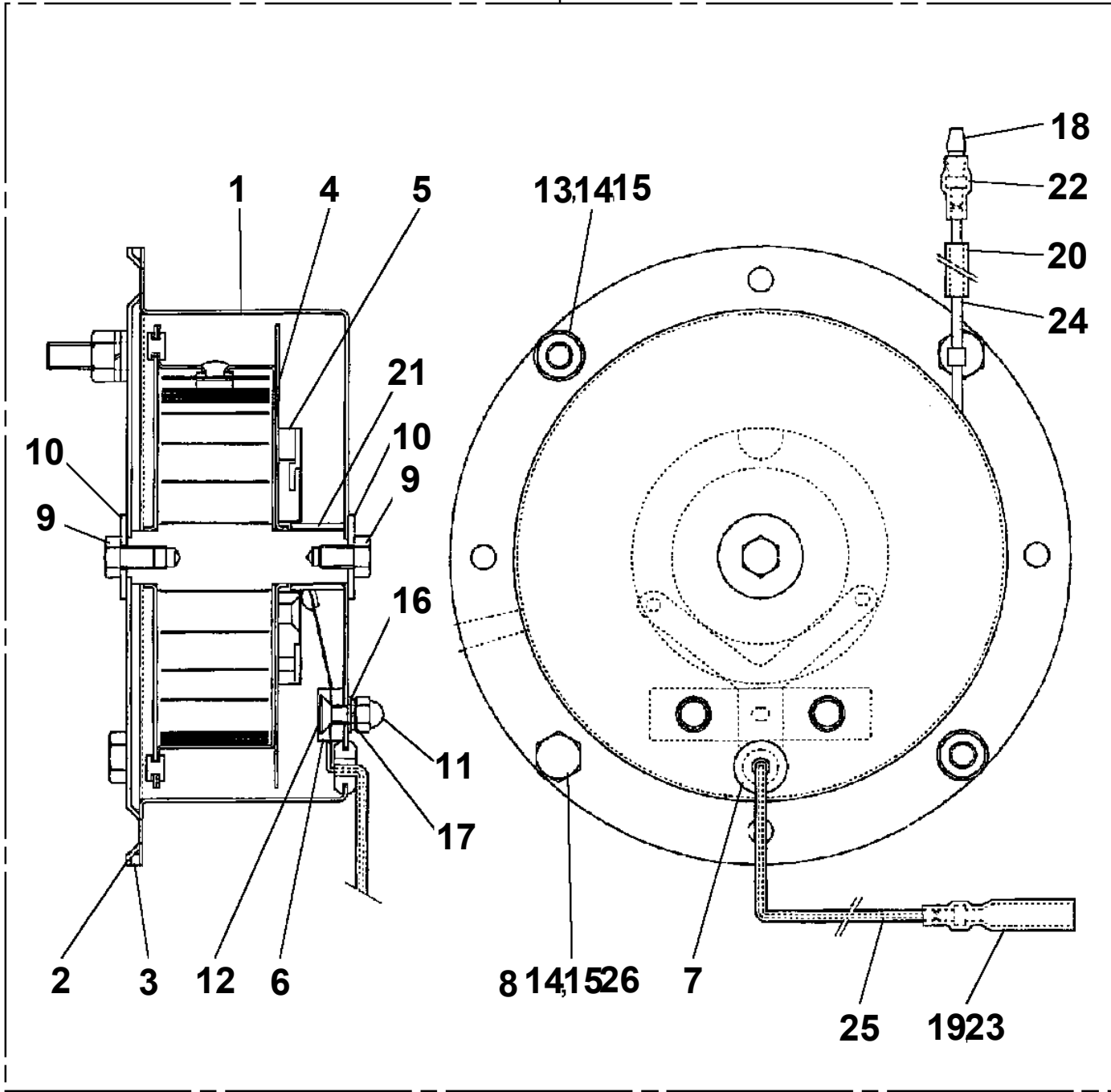
Pos No.	Parts No	Parts Name	Qty	Unit	Technical Data	Serial No (Start)	Serial No (End)	P
1	82105501001	SWITCH,TOGGLE (PLATING)	2					
2	82101940130	SWITCH,PUSH (3PJW106F-021-CC)	2					
10	31653224200	SWITCH ASSY (PLATING:NACC)	1					

# TM-ZR500 31094010740A FRAME/SL,RADIO CONT.,NABI HOOK

Pos No.	Parts No	Parts Name	Qty	Unit	Technical Data	Serial No (Start)	Serial No (End)
5	82105411140	SWITCH,TOGGLE	1				
6	82101429239	SWITCH,PUSH (GREEN)	1				
10	31653741600	SWITCH ASSY (GREEN:PANASONIC)	1				

TM-ZR500 31094010740A FRAME/SL,RADIO CONT.,NABI HOOK  
PN1350073-00 REEL,CORD

50

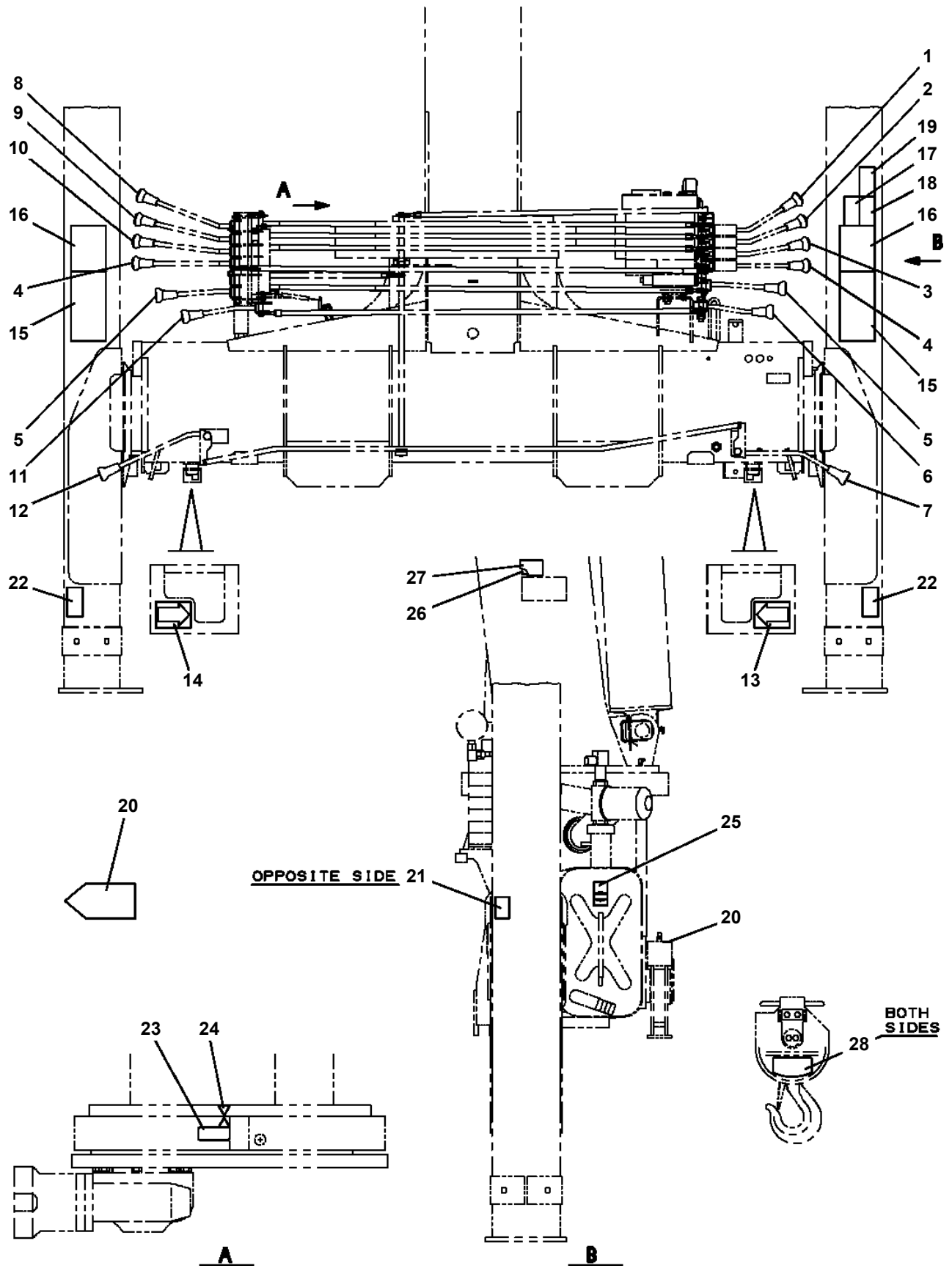


TM-ZR500 31094010740A FRAME/SL,RADIO CONT.,NABI HOOK  
PO1000123-00 INDICATION PLATES

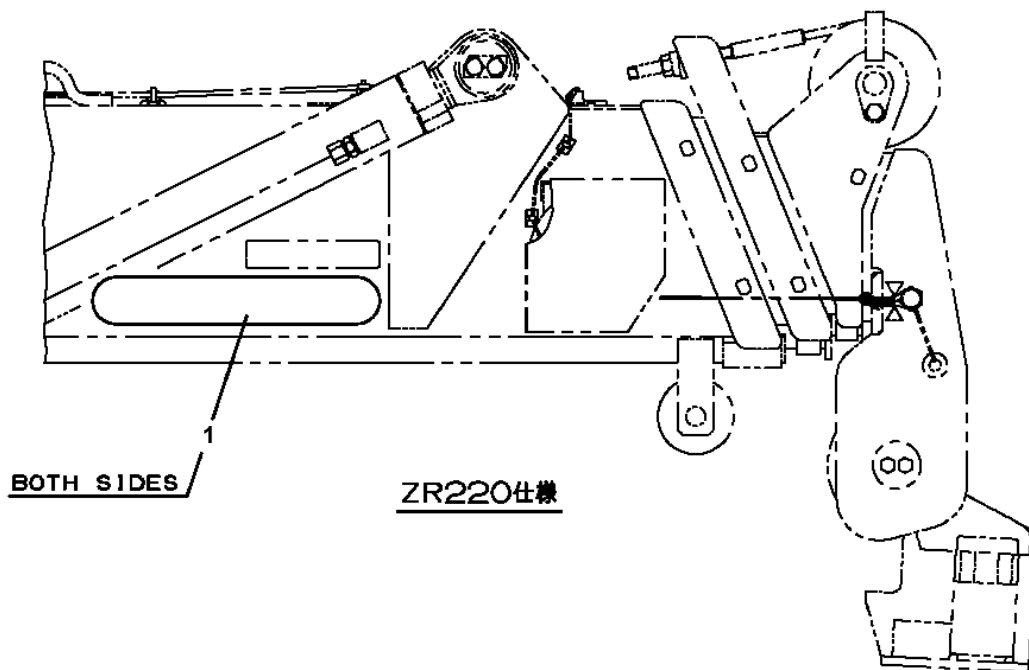
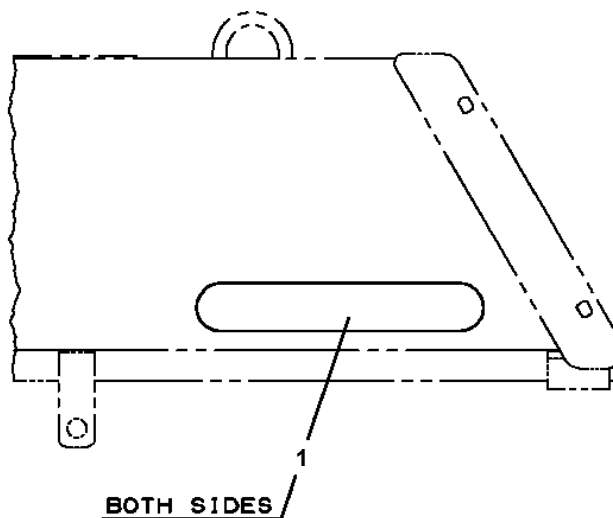
メイバン  
INDICATION PLATES

〔組立名称一覧〕より選択してください。  
SEE THE CORRESPONDING "ASSEMBLY NAME" LIST.

**TM-ZR500 31094010740A FRAME/SL,RADIO CONT.,NABI HOOK  
PO1013618-00 PLATE ASSY,NAME**



TM-ZR500 31094010740A FRAME/SL,RADIO CONT.,NABI HOOK  
PO1014592-03 PLATE ASSY,NAME



1材プレート、ネーム貼付位置は参考です

ブーム段数参考

THE BOOM SECTIONS IN THE ILLUSTRATION ARE FOR REFERENCE.

# TM-ZR500 31094010740A FRAME/SL,RADIO CONT.,NABI HOOK

Pos No.	Parts No	Parts Name	Qty	Unit	Technical Data	Serial No (Start)	Serial No (End)
1	31491401100	PLATE,NAME	1				
2	31491401200	PLATE,NAME	1				
3	31491401300	PLATE,NAME	2				
4	31491401400	PLATE,NAME	1				
5	37002222610	PLATE,NAME (ZR505SLCARGO CRANE)	2				
6	31392140130	INDICATOR	2				
7	90190000060	BOLT	2		M10X16		

# TM-ZR500 31094010740A FRAME/SL,RADIO CONT.,NABI HOOK

Pos No.	Parts No	Parts Name	Qty	Unit	Technical Data	Serial No (Start)	Serial No (End)
1	31491413100	PLATE,NAME	1				
2	31491413200	PLATE,NAME	1				
3	31491413300	PLATE,NAME (TM-ZR506SL)	2				
4	31491413400	PLATE,NAME	1				
5	37002222620	PLATE,NAME (ZR506SLCARGO CRANE)	2				
6	31392140130	INDICATOR	2				
7	90190000060	BOLT	2		M10X16		

# TM-ZR500 31094010740A FRAME/SL,RADIO CONT.,NABI HOOK

Pos No.	Parts No	Parts Name	Qty	Unit	Technical Data	Serial No (Start)	Serial No (End)	Remarks	Pages
1	36804741100	PLATE,NAME	1						
2	36804391201	PLATE,NAME	1						

# TM-ZR500 31094010740A FRAME/SL,RADIO CONT.,NABI HOOK

Pos No.	Parts No	Parts Name	Qty	Unit	Technical Data	Serial No (Start)	Serial No (End)
1	(*****)	CYLINDER,JACK (REAR/STROKE 330MM)	2				
2	(*****)	FRAME ASSY (REAR)	1				
11	31621340300	SUPPORT	2				
12	90171116050	BOLT	8		M16X50		
13	90202781600	NUT	16		M16		
15	37000539370	PLATE	2				

# TM-ZR500 31094010740A FRAME/SL,RADIO CONT.,NABI HOOK

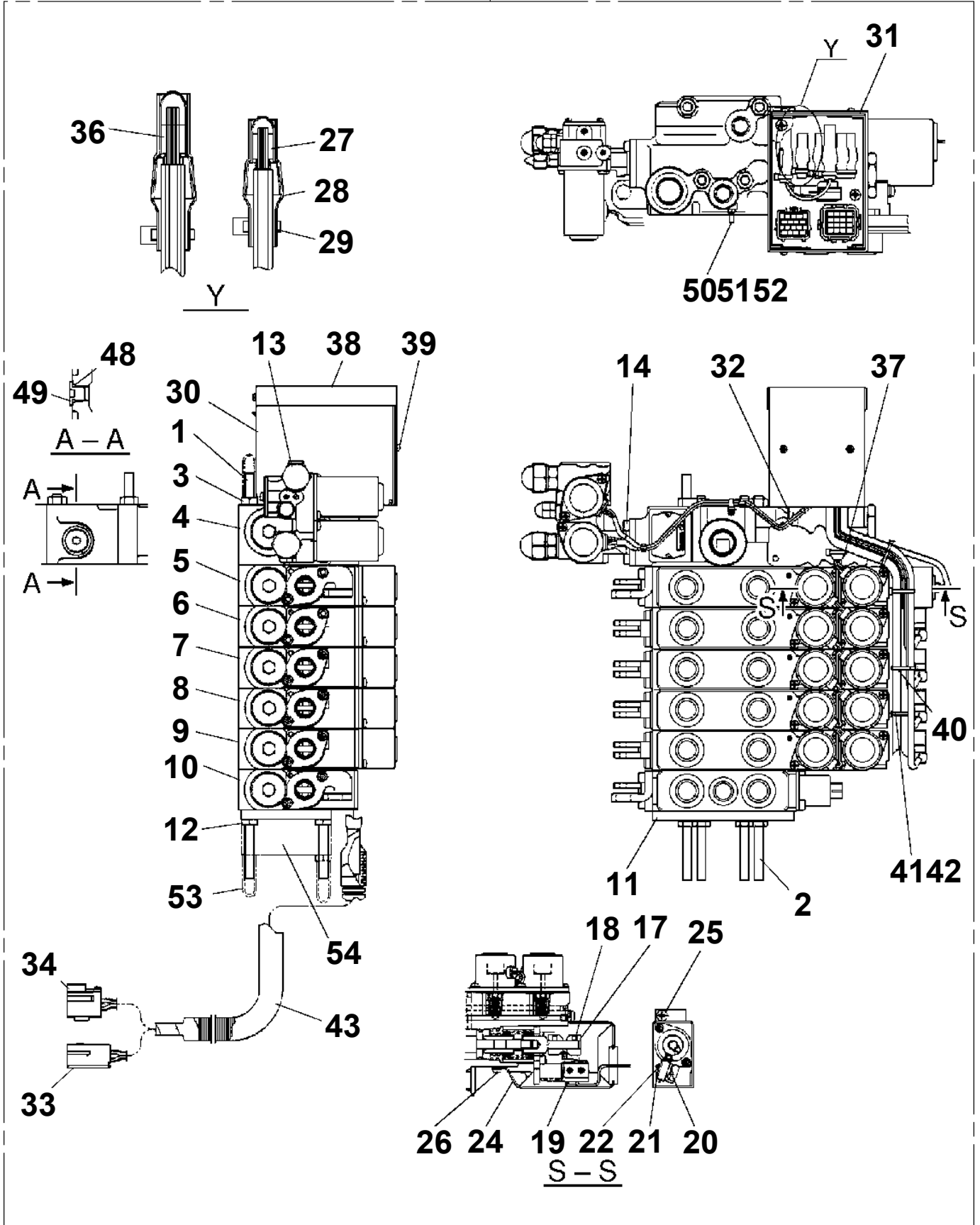
Pos No.	Parts No	Parts Name	Qty	Unit	Technical Data	Serial No (Start)	Serial No (End)	Remarks	Page
1	36161705010	CASE	1						
2	36132015010	PLATE (BASE)	1						
3	36161705020	PACKING	1						
4	36161715010	SPRING ASSY	1						
5	32360005050	RING,SLIP	1						
6	32360005060	CONTACTOR ASSY	1						
7	31370005070	GROMMET	1						
8	31370005080	GUIDE (CORD)	1						
10	36160935030	WASHER	2						
22	36160325010	COLLAR	1						
24	36131745090	CORD	15	M					
100	36161770000	REEL ASSY,CORD	1						

# TM-ZR500 31094010740A FRAME/SL,RADIO CONT.,NABI HOOK

Pos No.	Parts No	Parts Name	Qty	Unit	Technical Data	Serial No (Start)	Serial No (End)	Remarks
5	82182819823	DIODE	1		1.5A			
9	34354781710	RELAY (WITH BRACKET)	1					
100	34354781720	RELAY (WITH HARNESS)	1					

TM-ZR500 31094010740A FRAME/SL,RADIO CONT.,NABI HOOK  
PV1020291-01 VALVE,REMOTE CONTROL

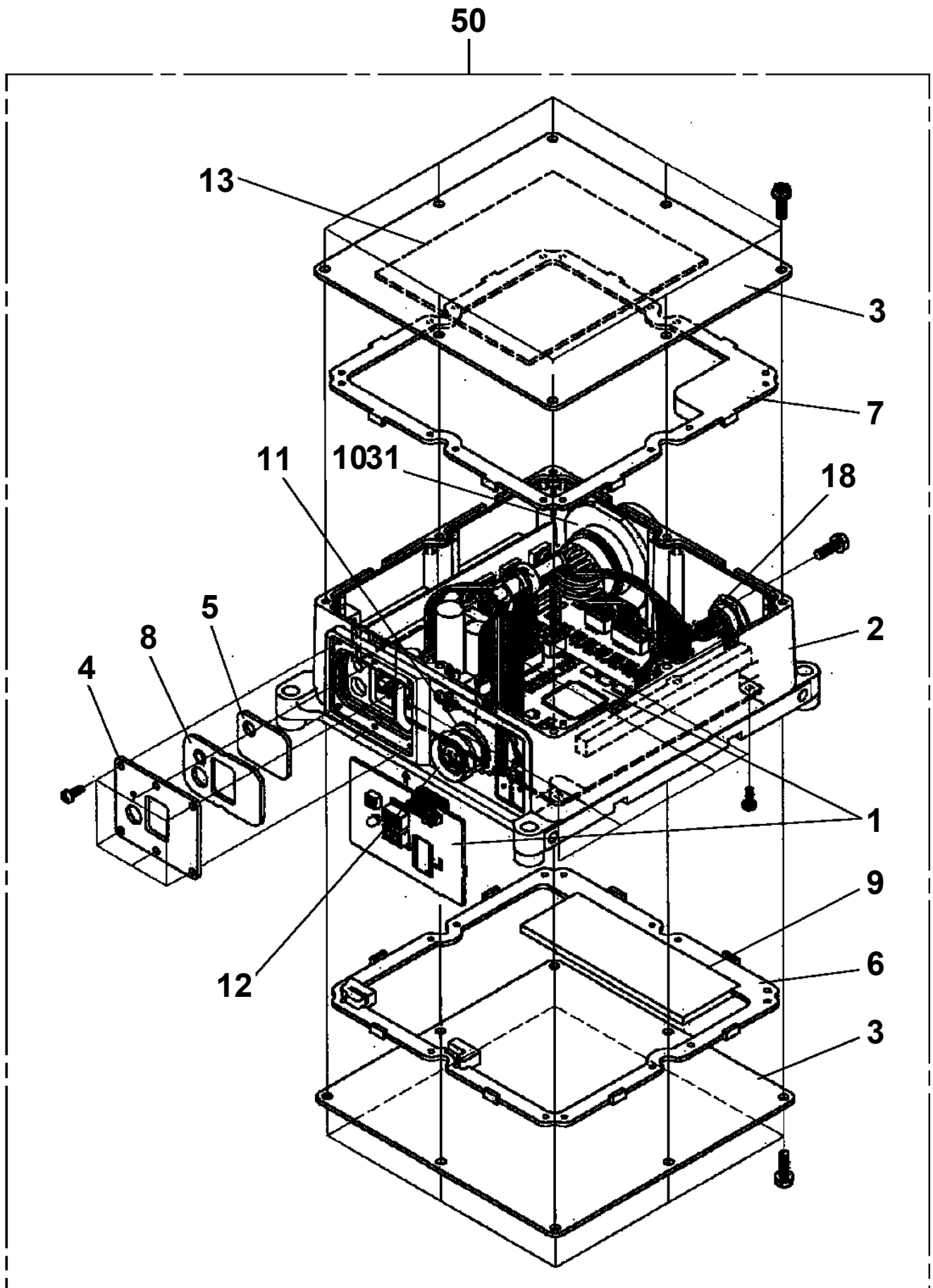
300



**TM-ZR500 31094010740A FRAME/SL,RADIO CONT.,NABI HOOK**

Pos No.	Parts No	Parts Name	Qty	Unit	Technical Data	Serial No (Start)	Serial No (End)	Remarks
106	36645845060	SPRING (RETURN)	3				EW4390	
	36645845060	SPRING (RETURN)	2					
	36645845060	SPRING (RETURN)	3			EW4391		
107	36648365130	SPACER	2					
	36648365130	SPACER	3				EW4390	
	36648365130	SPACER	2					
	36648365130	SPACER	3			EW4391		
108	36645495220	ADAPTER	1					
109	36648385080	BRACKET	1					
110	36645615250	C-BOLT	4		M5X25			
	36645615250	C-BOLT	4		M5X25			
	36645615250	C-BOLT	6		M5X25		EW4390	
	36645615250	C-BOLT	6		M5X25	EW4391		
112	91001002200	O-RING	4		S22			
	91001002200	O-RING	4		S22			
	91001002200	O-RING	6		S22		EW4390	
114	91001002200	O-RING	6		S22	EW4391		
	80172104010	SCREW,MACHINE	14		M4X10			
	80172104010	SCREW,MACHINE	12		M4X10		EW4390	
	80172104010	SCREW,MACHINE	12		M4X10		EW4390	
	80172104010	SCREW,MACHINE	14		M4X10			
116	80172104010	SCREW,MACHINE	12		M4X10	EW4391		
	36646875130	ORIFICE	5		M3		EW4390	
119	36646875130	ORIFICE	5		M3	EW4391		
	36649585180	SPRING	3				EW4390	
120	36649585180	SPRING	2					
	36649585180	SPRING	2					
	36649585180	SPRING	3			EW4391		
	36649585190	SPRING	2					
	36649585190	SPRING	2					
	36649585190	SPRING	3				EW4390	
	36649585190	SPRING	3			EW4391		
124	36644115130	PLUG	2					
	36644115130	PLUG	4				EW4390	
	36644115130	PLUG	2					
	36644115130	PLUG	4			EW4391		
125	36633365100	SEAL,OIL	7				EW4390	
	36633365100	SEAL,OIL	7			EW4391		
126	36649585200	LINK	2					
127	36645615230	C-BOLT	4		5X12			
129	36649585240	SEAT	2					
	36649585240	SEAT	2				EW4390	
	36649585240	SEAT	2					
	36649585240	SEAT	2			EW4391		
141	36648365150	VALVE,SOLENOID (KIT)	4					
	36648365150	VALVE,SOLENOID (KIT)	4					
	36648365150	VALVE,SOLENOID (KIT)	6				EW4390	
	36648365150	VALVE,SOLENOID (KIT)	6			EW4391		
168	36644015260	ADAPTER	2					
	36644015260	ADAPTER	2					
	36644015260	ADAPTER	2				EW4390	
	36644015260	ADAPTER	2			EW4391		
169	36645405090	PLATE (D)	2				EW4390	
	36645405090	PLATE (D)	2					
	36645405090	PLATE (D)	2					
	36645405090	PLATE (D)	2			EW4391		
186	36649585220	PLATE	2					
	36649585220	PLATE	2					
	36649585220	PLATE	2				EW4390	
	36649585220	PLATE	2				EW4390	
	36649585220	PLATE	2			EW4391		
187	36645615260	C-BOLT	4		M5X8			
	36645615260	C-BOLT	6		M5X8		EW4390	

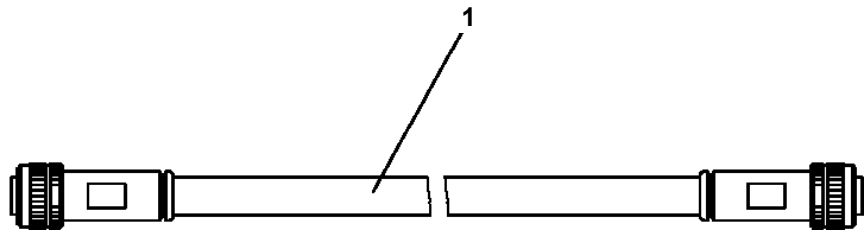
TM-ZR500 31094010740A FRAME/SL,RADIO CONT.,NABI HOOK  
PV1040086-01 CONTROL BOX



TM-ZR500 31094010740A FRAME/SL,RADIO CONT.,NABI HOOK  
 PV1070058-01 RADIO CONTROL

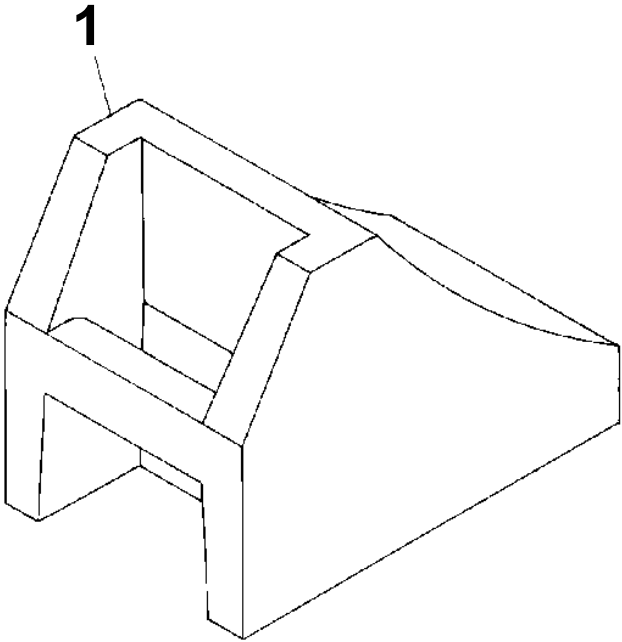
指示番号 KEY NO.	ラジ オ コントロール (ソウホウコウ&キユウジ ヨコウサクソウホウコウ) RADIO CONTROL
2	ホ ックス, ストローイング BOX, STOWING
3	チャージ ヤ, ハ ッテリ CHARGER, BATTERY
4	プ レート, ネーム (ラジ コンソウサケイタイヨウ) PLATE, NAME
6	マウント, アンテナ MOUNT, ANTENNA
7	ハ ーツ, BML PARTS, BML
10	プ レート, ネーム (ソウシンキメイハ ン/ヒヨウジ キリカエ) PLATE, NAME
11	コントロール ユニット CONTROL UNIT
12	アンテナ ANTENNA
13	スイッチ ホ ックス SWITCH BOX

**TM-ZR500 31094010740A FRAME/SL,RADIO CONT.,NABI HOOK  
PV1300011-02 CABLE (ANTENNA 2M)**



**TM-ZR500 31094010740A FRAME/SL,RADIO CONT.,NABI HOOK  
PW1050005-00 STOPPER,TIRE**

---



TM-ZR500 31094010740A FRAME/SL,RADIO CONT.,NABI HOOK  
PY1000468-00 OPTIONS (HYDRAULIC-RELATED,SL)

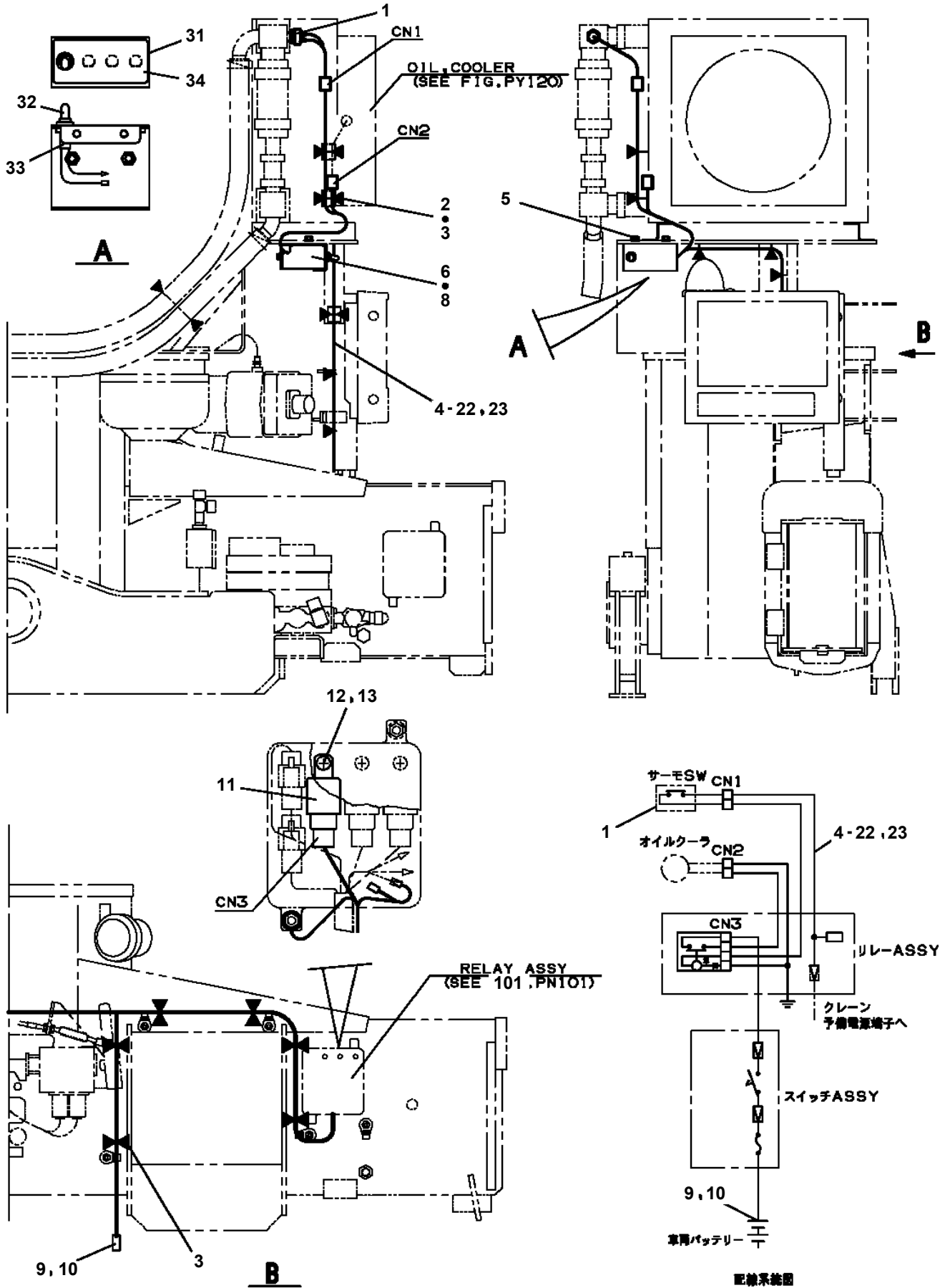
トクベツ ショウ  
OPTIONS

( 油圧関係  
HYDRAULIC-RELATED )

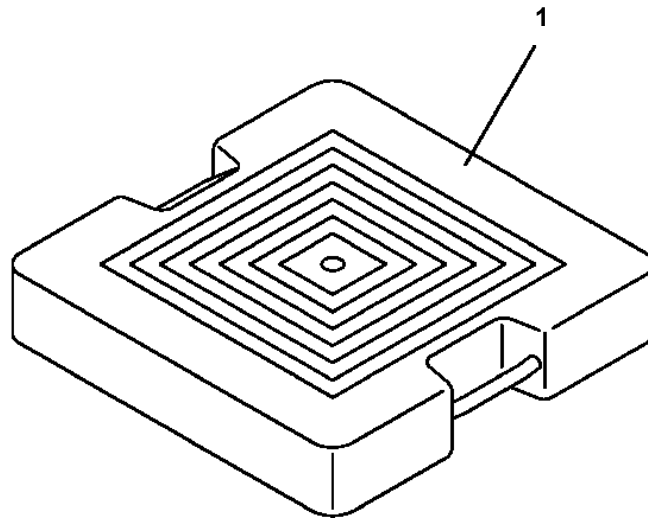
〔組立名称一覧〕より選択してください。

SEE THE CORRESPONDING "ASSEMBLY NAME" LIST.

TM-ZR500 31094010740A FRAME/SL,RADIO CONT.,NABI HOOK  
 PY1310004-01 ELECTRICAL PARTS,OIL COOLER



**TM-ZR500 31094010740A FRAME/SL,RADIO CONT.,NABI HOOK  
PY2340010-01 PLATE (500X500,H=90)**



CLICK HERE TO **DOWNLOAD** THE COMPLETE MANUAL

- Thank you very much for reading the preview of the manual.
- You can download the complete manual from: [www.heydownloads.com](http://www.heydownloads.com) by clicking the link below



- Please note: If there is no response to CLICKING the link, please download this PDF first and then click on it.

CLICK HERE TO **DOWNLOAD** THE COMPLETE MANUAL