

**TM-ZR300 31014010630A FRAME/STD,REMOTE-RADIO CONT.,S-HOOK-IN**  
PB000024-02 SYSTEM (ZR300,DOMESTIC)  
ASSEMBLY

CLICK HERE TO **DOWNLOAD** THE COMPLETE MANUAL

- Thank you very much for reading the preview of the manual.
- You can download the complete manual from: [www.heydownloads.com](http://www.heydownloads.com) by clicking the link below



- Please note: If there is no response to CLICKING the link, please download this PDF first and then click on it.

CLICK HERE TO **DOWNLOAD** THE COMPLETE MANUAL

TM-ZR300 31014010630A FRAME/STD,REMOTE-RADIO CONT.,S-HOOK-IN  
PB1020002-00 POWER TAKE OFF ASSY (SELECTION)

- POWER TAKE OFF ASSY
- PTO ASSYの選定

指示番号 key No	CARRIER MAKER キャリア メーカー
1	MITSUBISHI ミツビシ
2	HINO ヒノ
3	ISUZU イズズ
4	NISSAN ニッサン

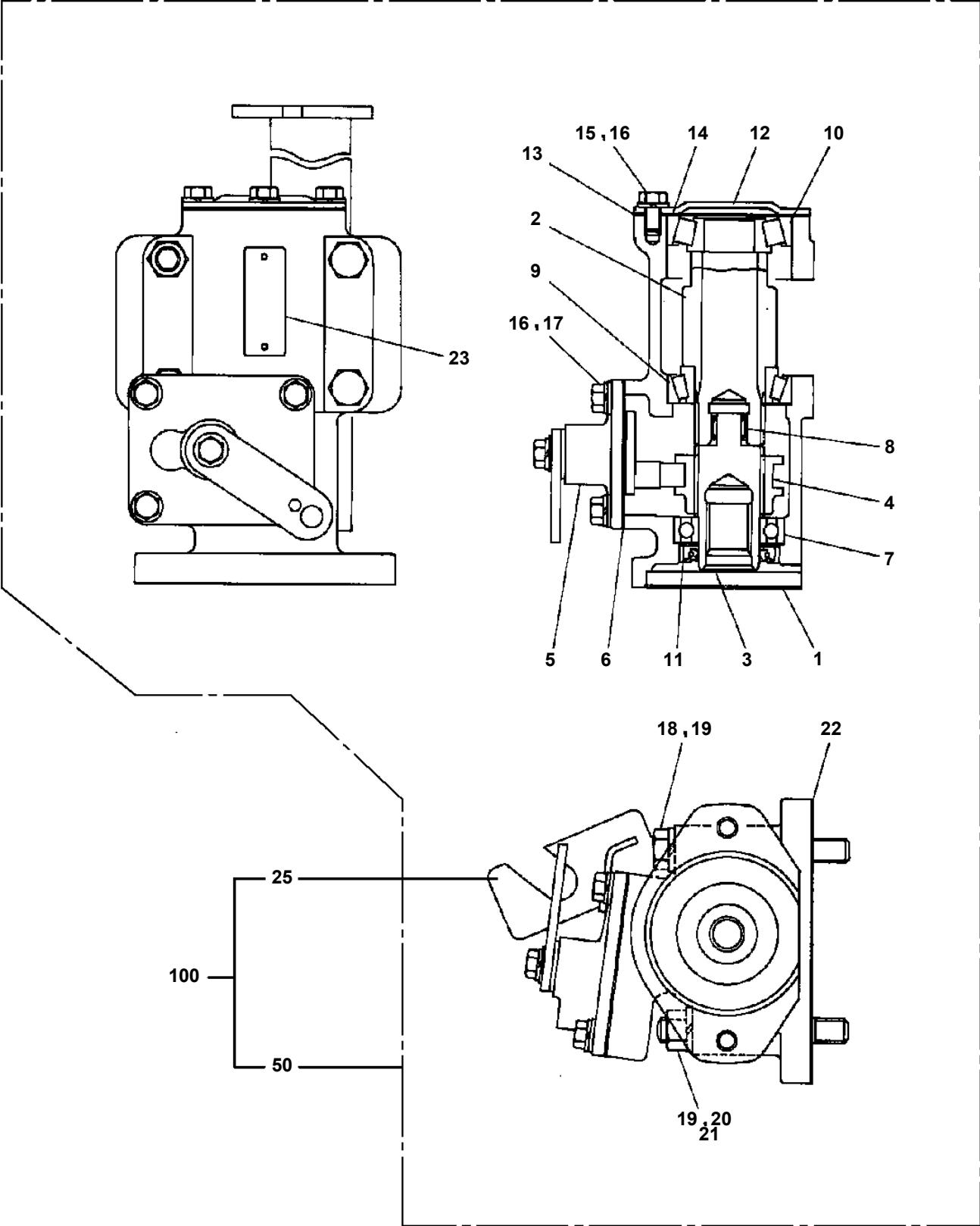
[NOTE]

- (1) SOME TYPES OF THE CARRIER ARE EQUIPPED WITH THE MANUFACTURER' S GENUINE POWER TAKE OFF.
- (2) POWER TAKE OFF FOR EXPORT IS SUPPLIED FROM THE CARRIER MANUFACTURE.

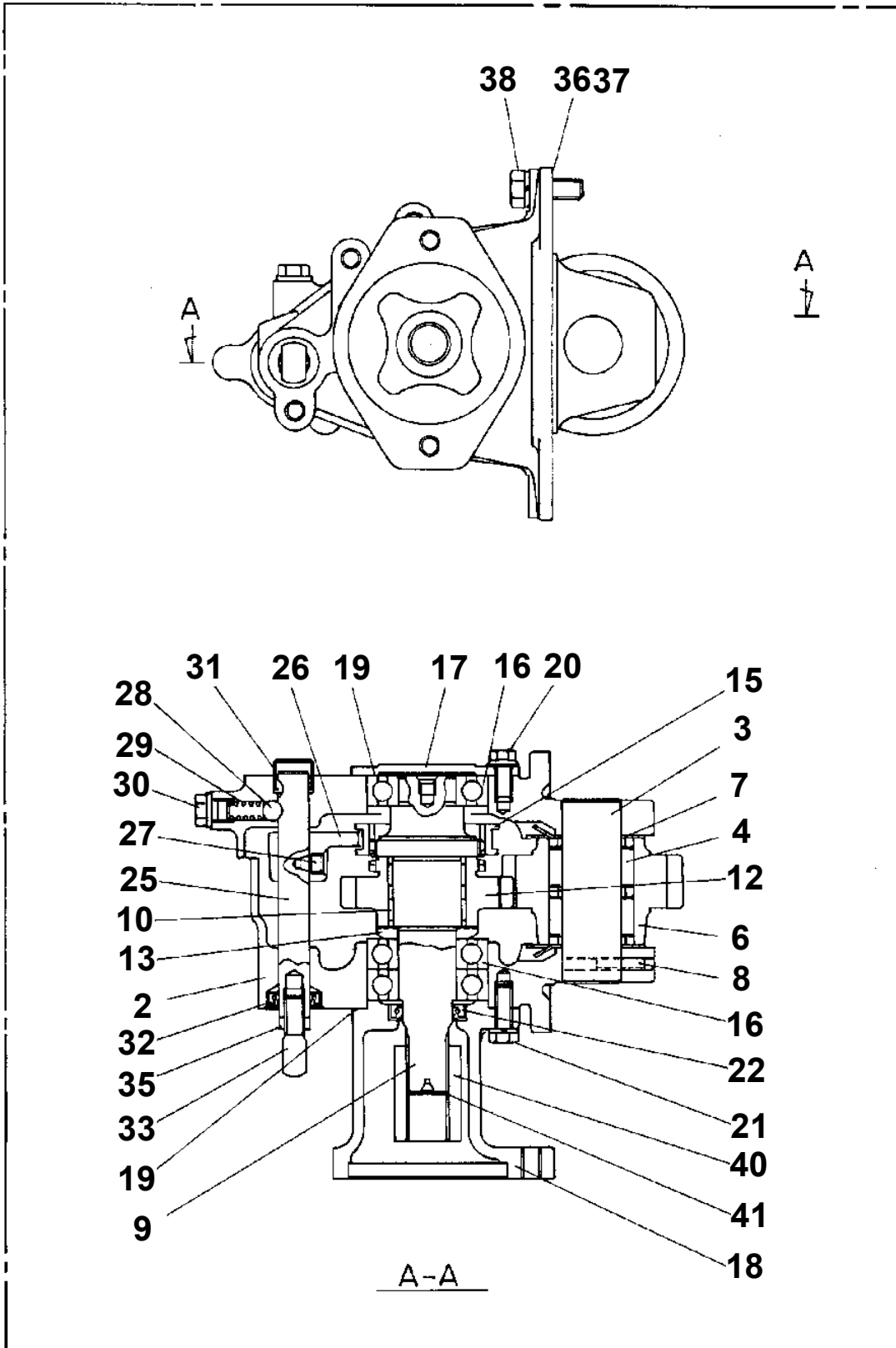
[注 意]

- (1) PTO ASSYは車種によってメーカー純正品があります。
- (2) 海外向けのPTO ASSYは、車両メーカー品です。

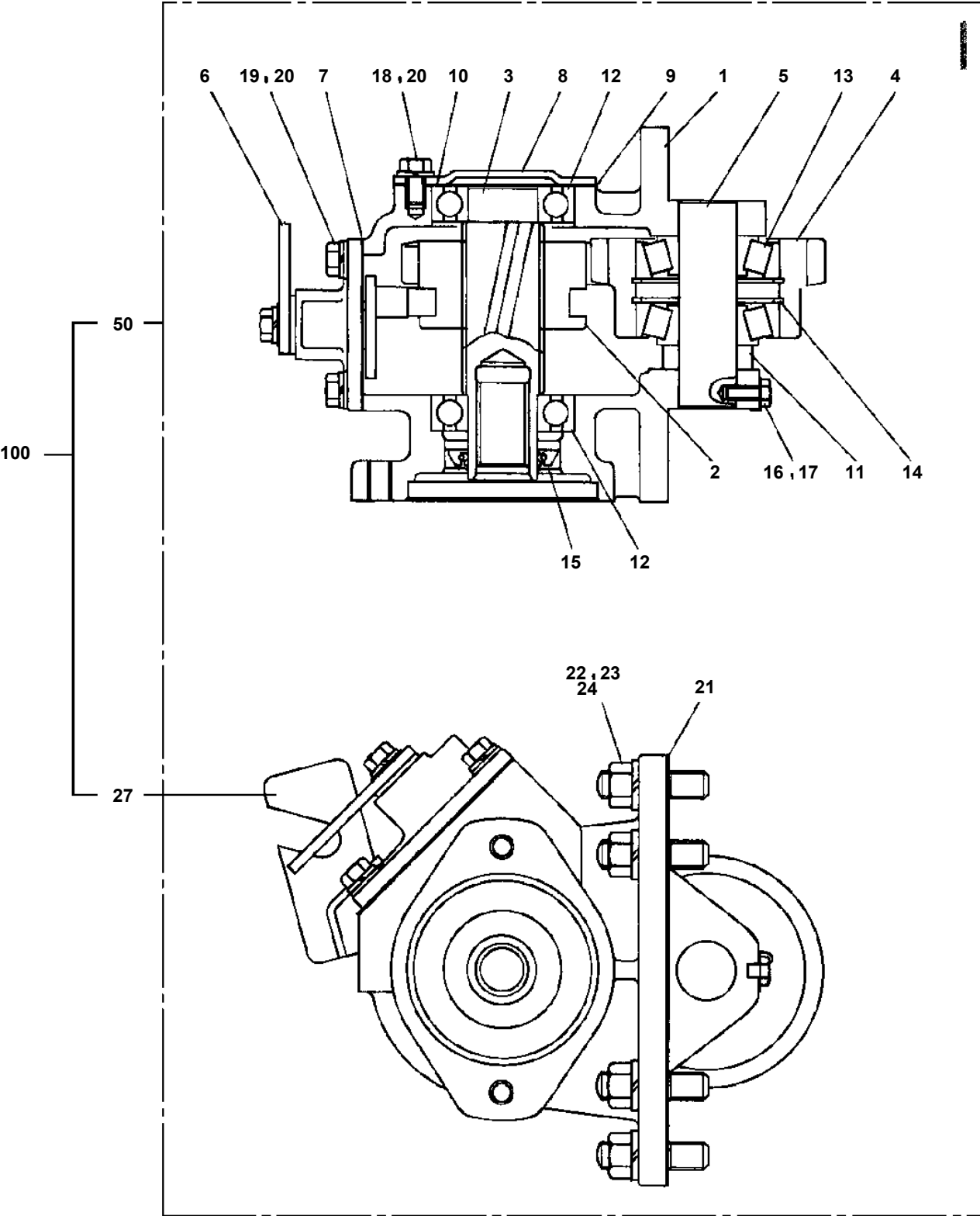
TM-ZR300 31014010630A FRAME/STD,REMOTE-RADIO CONT.,S-HOOK-IN  
PB1030091-02 POWER TAKE OFF



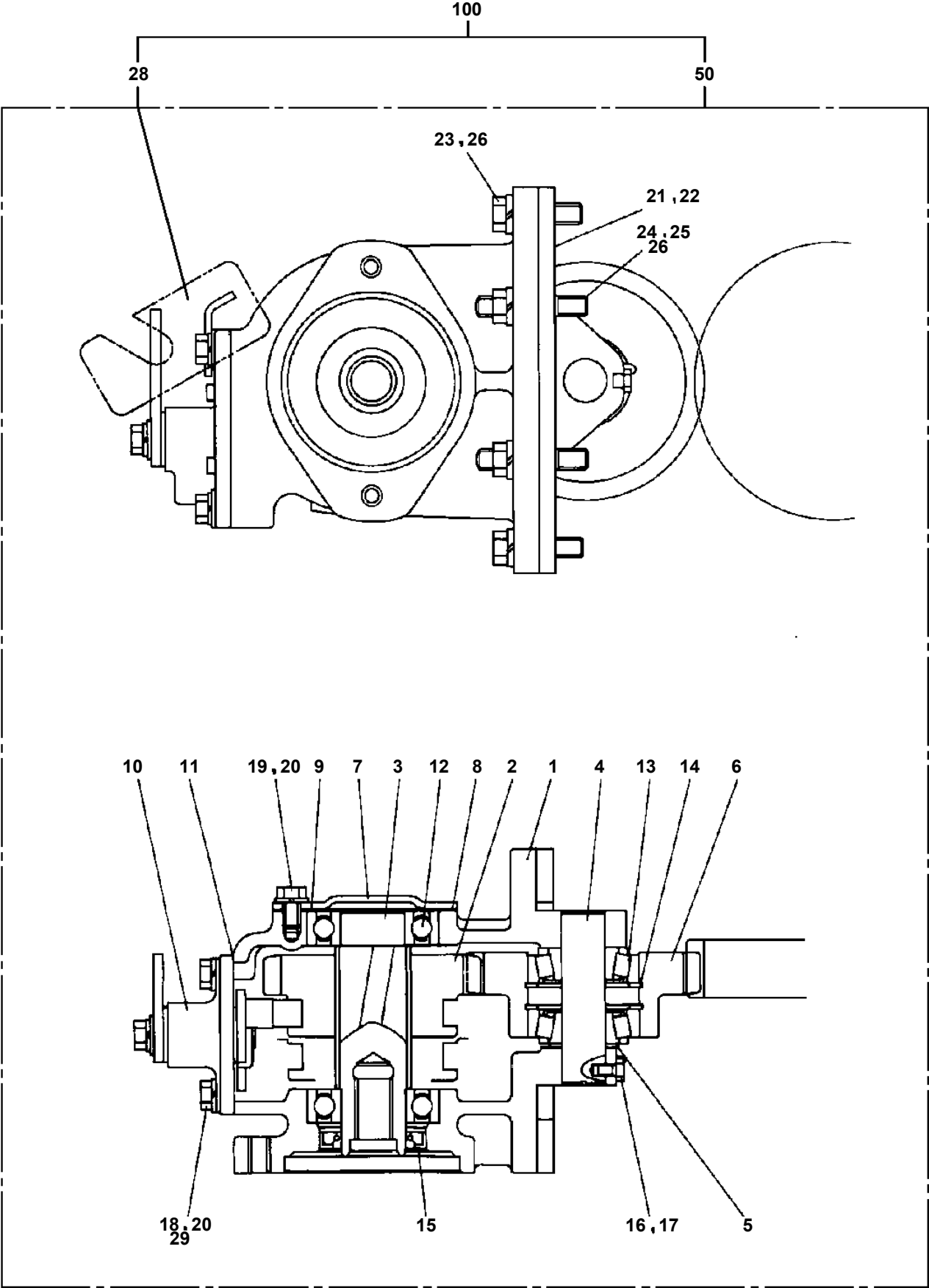
TM-ZR300 31014010630A FRAME/STD,REMOTE-RADIO CONT.,S-HOOK-IN  
PB1030112-00 POWER TAKE OFF



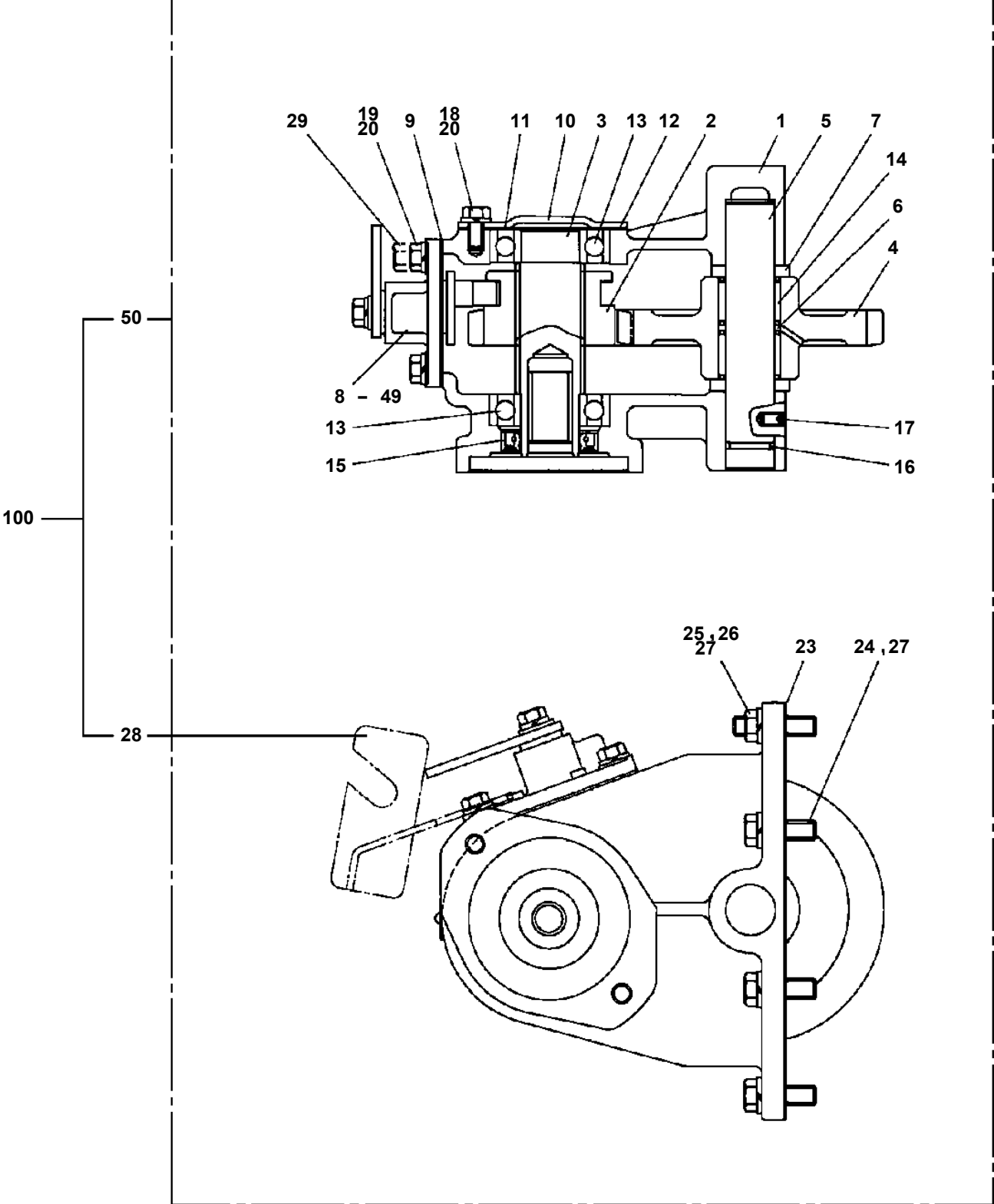
TM-ZR300 31014010630A FRAME/STD,REMOTE-RADIO CONT.,S-HOOK-IN  
PB1030125-02 POWER TAKE OFF



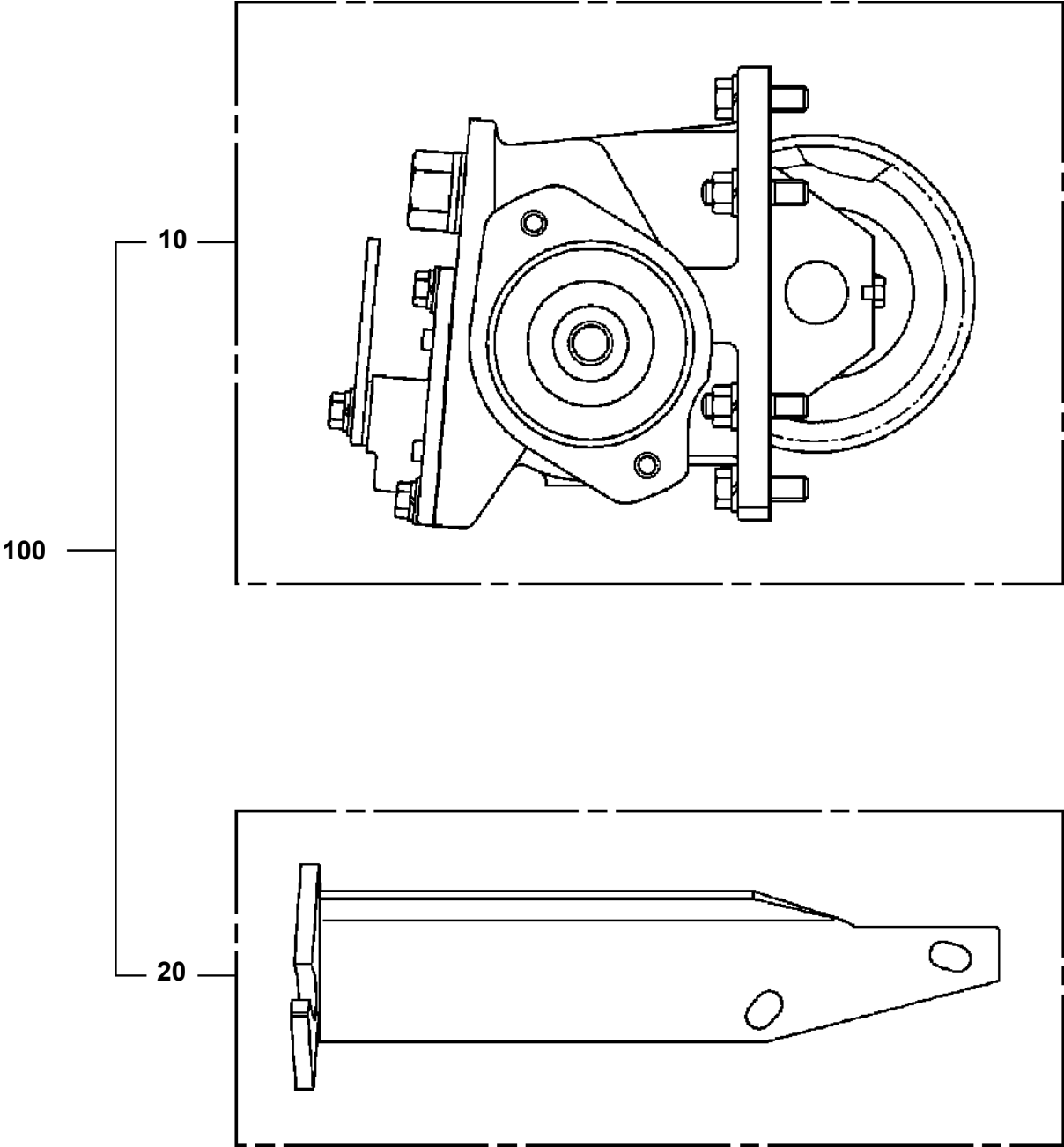
TM-ZR300 31014010630A FRAME/STD,REMOTE-RADIO CONT.,S-HOOK-IN  
PB1030137-03 POWER TAKE OFF



TM-ZR300 31014010630A FRAME/STD,REMOTE-RADIO CONT.,S-HOOK-IN  
PB1030147-03 POWER TAKE OFF



TM-ZR300 31014010630A FRAME/STD,REMOTE-RADIO CONT.,S-HOOK-IN  
PB1030189-02 POWER TAKE OFF



# TM-ZR300 31014010630A FRAME/STD,REMOTE-RADIO CONT.,S-HOOK-IN

Pos No.	Parts No	Parts Name	Qty	Unit	Technical Data	Serial No (Start)	Serial No (End)	Remarks
1	36402470510	CASE	1					
2	36402470520	GEAR	1					
3	36402470530	SHAFT	1					
4	36401125040	SLEEVE	1					
5	36401125050	SHIFTER SET	1					
6	36400095110	PACKING	1					
7	36400095070	COVER (BEARING)	1					
8	36400095080	PACKING (COVER)	1					
9	36400095090	SHIM	N					
10	36402470540	COLLAR	1					
11	80500006903	BEARING,BALL	1					
12	36401125080	BEARING,ROLLER	2					
13	36401125090	BEARING,NEEDLE	1					
14	91206030005	SEAL,OIL	1					
15	36401125100	RING,RETAINING	1					
16	90191208020	BOLT	4		M8X20			
17	90191208014	BOLT	3		M8X14			
18	90302040801	WASHER,SPRING	7		8			
20	36402015020	PACKING	2					
21	36402035040	BOLT	1		M10X1.5X120			
22	36402035050	BOLT	1		M10X1.5X110			
23	90191210050	BOLT	2		M10X50			
24	36402035010	BOLT,STUD	1					
25	36402035020	BOLT,STUD	1					
26	90267201000	NUT	2		M10			
27	90302041001	WASHER,SPRING	6		10			
28	36402470550	SPACER	1					
30	90191208025	BOLT	2		M8X25			
50	36402470000	POWER TAKE OFF ASSY	1					
60	31790990100	SUPPORT	1					
100	31792370000	POWER TAKE OFF	1					

# TM-ZR300 31014010630A FRAME/STD,REMOTE-RADIO CONT.,S-HOOK-IN

Pos No.	Parts No	Parts Name	Qty	Unit	Technical Data	Serial No (Start)	Serial No (End)	Remarks	Pa
2	36401685020	GEAR	1						
3	36402170520	SHAFT	1						
4	36400395050	SHAFT	1						
5	36401675040	COLLAR	1						
6	36401685040	GEAR	1						
7	36401675060	SHIFTER SET	1						
8	36400135070	BEARING	2						
9	80500006206	BEARING,BALL	2						
10	91206030005	SEAL,OIL	1						
11	36400095070	COVER (BEARING)	1						
12	36400095080	PACKING (COVER)	1						
13	36400095090	SHIM	N						
14	90101206015	BOLT	1		M6X15				
15	36400095130	WASHER	1						
16	90191208014	BOLT	3		M8X14				
17	90302040801	WASHER,SPRING	7		8				
18	36400995080	PACKING	1						
19	90191208020	BOLT	4		M8X20				
20	80602110620	RING,RITAINING	2		R62				
21	36401025060	PLUG	1						
22	36401025070	WASHER,PLAIN	1						
23	36401025090	PLATE,NAME	1						
25	36401675080	SHIM	N						
26	36400095150	BOLT,STUD	4		M10X1.25/1.5X43				
27	90267201000	NUT	4		M10				
28	90191210030	BOLT	4		M10X30				
29	90302041001	WASHER,SPRING	8		10				
30	90191208025	BOLT	2		M8X25				
32	36401025120	NUT (REINFORCER)	1						
33	36402170540	COUPLING	1						
34	36402170550	WASHER	1						
35	36402170560	WASHER	1						
36	36402170570	NUT	1						
37	36402170580	KEY	1						
100	36402170000	POWER TAKE OFF	1						

**TM-ZR300 31014010630A FRAME/STD,REMOTE-RADIO CONT.,S-HOOK-IN**

Pos No.	Parts No	Parts Name	Qty	Unit	Technical Data	Serial No (Start)	Serial No (End)	Remarks	Page
2	91002801400	O-RING	5		1B P14				
3	91803600200	CLIP	1		D=13-20				
4	37002439140	HOSE	2		L=1000				
	37002480810	HOSE	2		L=1000	ER4338			
5	37002458020	HOSE	2		L=930				
	37002480800	HOSE	2		L=930	ER4338			
6	37002450960	HOSE	2		L=890		ER4337		
	37002450960	HOSE	1		L=890	ER4338			
	37002480790	HOSE	1		L=890	ER4338			
7	37002458030	HOSE	1		L=890				
	37002480780	HOSE	1		L=890	ER4338			
8	91002801100	O-RING	1		1B P11				
9	37002506230	HOSE	1		L=475				
10	31641031000	JOINT	1						
21	31631121100	BODY	1						
22	31631121200	CORE	1						
23	91531208000	PACKING	2						
24	91100308000	RING,SEAL	7						
25	31631061000	RING,SLIP	1				KA6300		
	31631802000	RING ASSY,SLIP	1			KA6301	KA6394		0002
	31631803000	RING ASSY,SLIP	1			KA6395			0002
26	90180208016	BOLT,BUTTON	2		M8X16				
27	90302040801	WASHER,SPRING	6		8				
28	90102208035	BOLT	4		M8X35				
29	90303070801	WASHER,PLAIN	6		8				
30	90302041001	WASHER,SPRING	4		10				
31	82114203020	CONNECTOR (CAP)	1						
32	82121502020	PLATE	1						
33	82114203030	CONNECTOR (CAP)	1						
34	82121502030	PLATE	1						
35	31631121300	SUPPORT	1						
36	90171110016	BOLT	4		M10X16				
37	82100002855	CAP	2						
100	31631130000	JOINT,ROTARY	1						

# TM-ZR300 31014010630A FRAME/STD,REMOTE-RADIO CONT.,S-HOOK-IN

Pos No.	Parts No	Parts Name	Qty	Unit	Technical Data	Serial No (Start)	Serial No
7	36635615010	VALVE,CONTROL	1				
8	36635635010	VALVE,CONTROL	1				
9	36641235030	VALVE,RELIEF	1				
10	36635615020	VALVE,RELIEF	1				
14	36635605010	VALVE,CONTROL	1				
22	36640765060	O-RING	1				
31	36635545060	PLUG	2				
32	91002801800	O-RING	2		1B P18		
44	36635545020	O-RING	6				
45	36635545030	WIPER	6				
52	36640765060	O-RING	3				
55	36635545040	BRACKET	2				
57	36635545050	O-RING	6				
68	36641235070	SPRING	1				
69	36641235080	SPRING	1				
70	36641235090	O-RING	1				
71	91411001000	RING,BACKUP	1		TIP10A		
72	91000590800	O-RING	1		AS568-908		
73	36640765130	O-RING	2				
75	91002801000	O-RING	2		1B P10		
100	36635630000	VALVE,MANUAL CONTROL (R/J,3-BLOCK)	1				

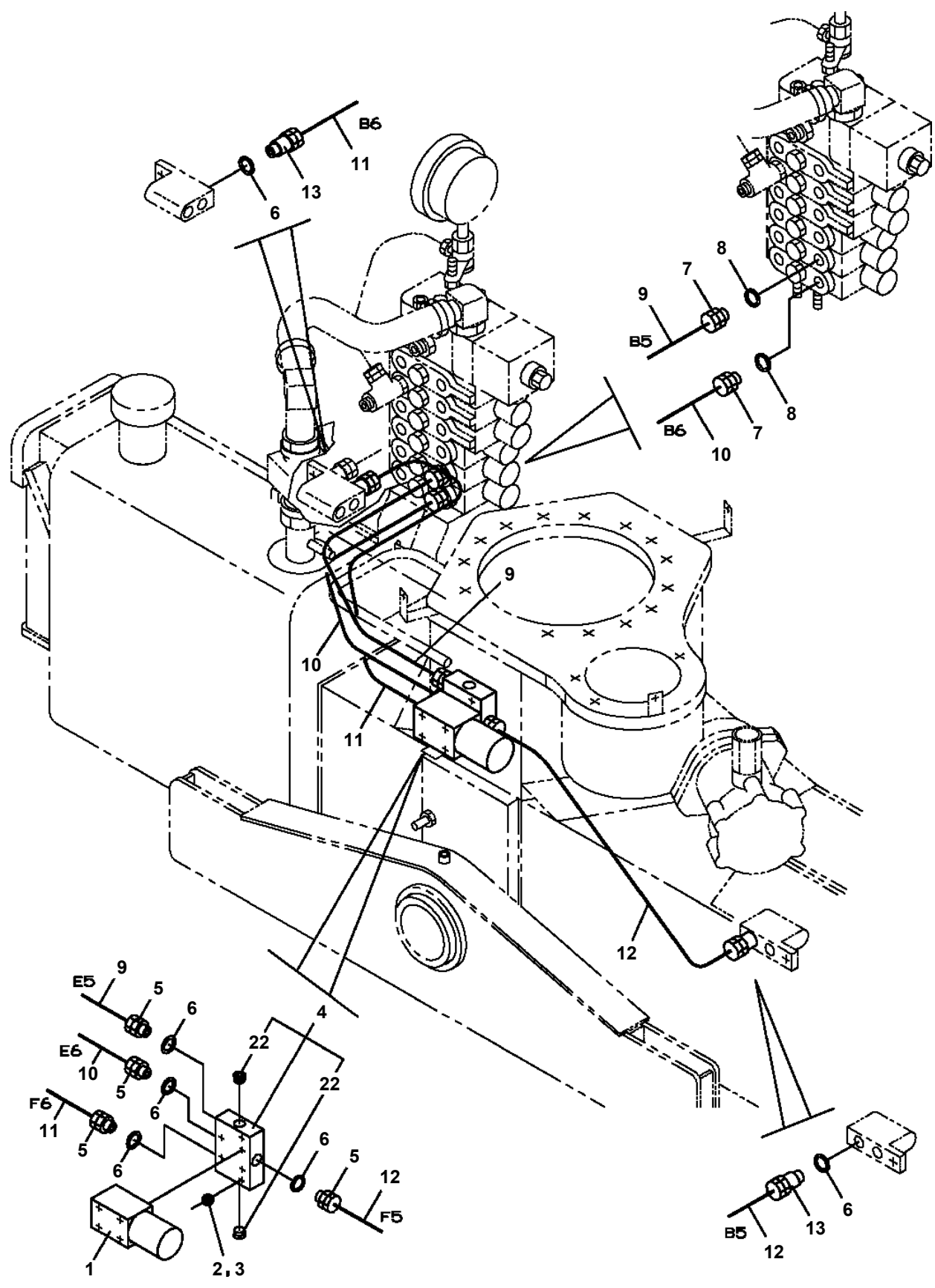
# TM-ZR300 31014010630A FRAME/STD,REMOTE-RADIO CONT.,S-HOOK-IN

Pos No.	Parts No	Parts Name	Qty	Unit	Technical Data	Serial No (Start)	Serial
1	(*****)	OPE.ASSY,CONT.VALVE (POWER SUPPLY)	1				
3	(*****)	PLATE ASSY,NAME (POWER SUPPLY)	1				
11	(*****)	PIPING,LOWER (WITHOUT R/J,MAIN-1 BLOCK)	1				
12	36635610000	VALVE,MANUAL CONTROL (POWER SUPPLY)	1				

## TM-ZR300 31014010630A FRAME/STD,REMOTE-RADIO CONT.,S-HOOK-IN

Pos No.	Parts No	Parts Name	Qty	Unit	Technical Data	Serial No (Start)	Serial No (End)	Remarks
1	91002801800	O-RING	1		1B P18			
2	37000916390	JOINT	1					
3	31641050100	JOINT	2					
4	36671630000	JOINT ASSY,SELF SEAL	1					
5	80430620800	JOINT	2					
6	37000923700	JOINT	1					
7	37002506130	HOSE	1		L=1200			
8	37002443890	HOSE	1		L=820			
9	90101208022	BOLT	3		M8X22			
10	90302040801	WASHER,SPRING	4		8			
11	80400160203	JOINT (WITH O-RING)	1					
12	80400160182	JOINT (WITH O-RING)	1					
13	91803600400	CLIP	2		D=27-40			
14	82100002018	CLAMP	1		WR35			
15	90303070801	WASHER,PLAIN	1		8			
16	90101208016	BOLT	1		M8X16			
17	90201200800	NUT	1		M8			
31	36671635010	JOINT,SELF SEALING	1					
32	36671635020	JOINT,SELF SEALING	1					
41	91002801800	O-RING	4		1B P18			
51	91002802900	O-RING	1		1B P29			

TM-ZR300 31014010630A FRAME/STD,REMOTE-RADIO CONT.,S-HOOK-IN  
PB1910106-00 PIPING

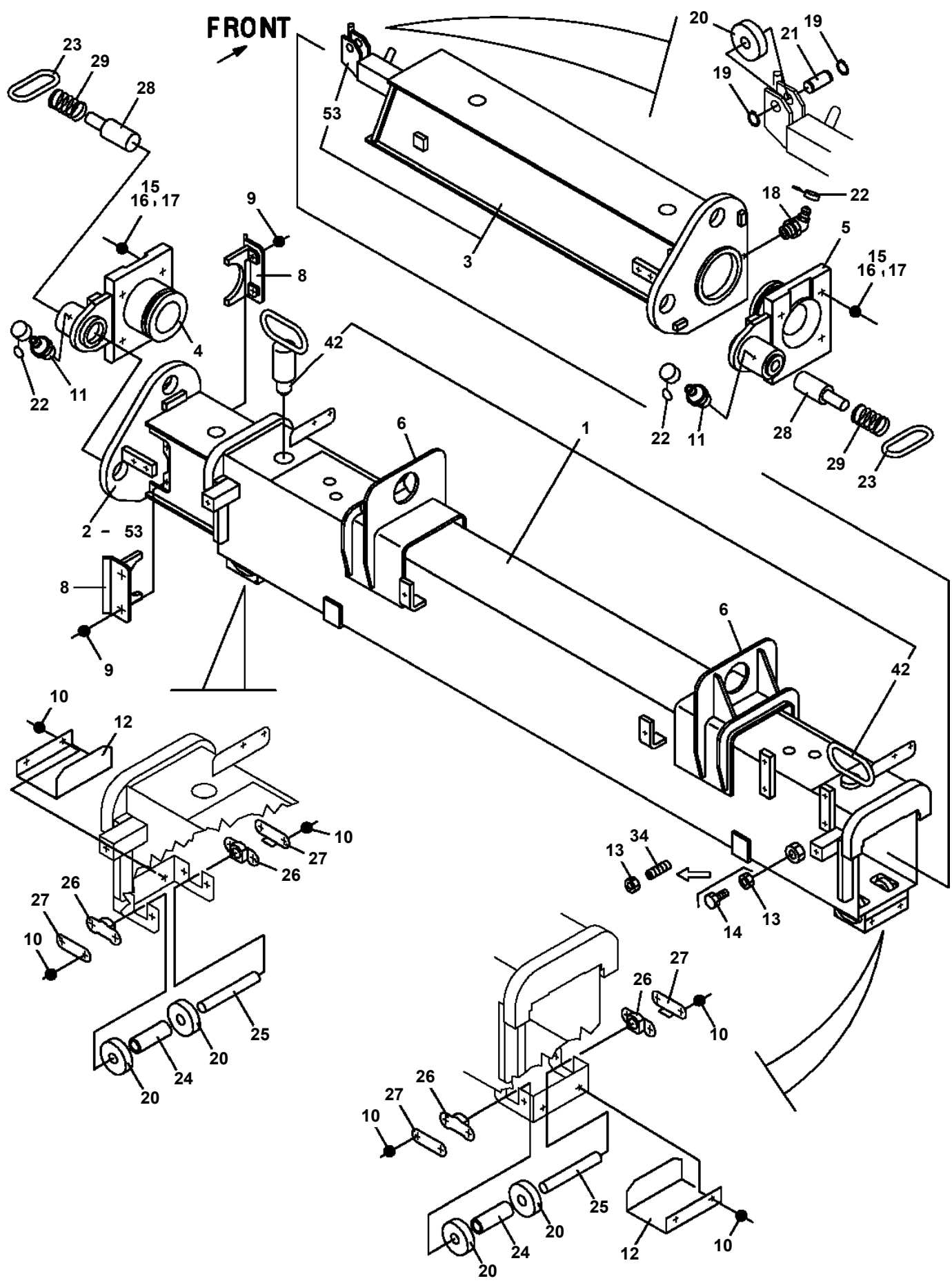




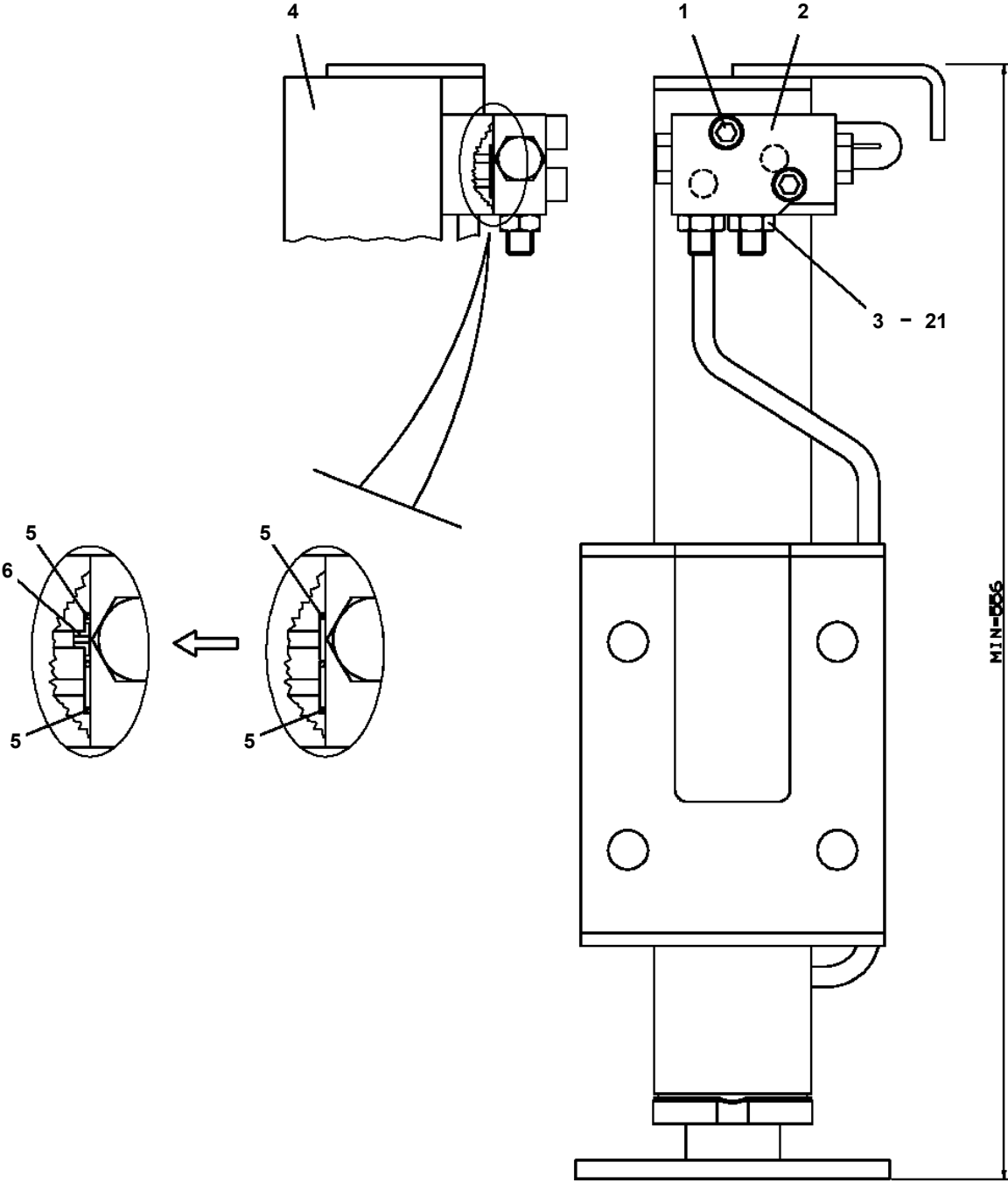
TM-ZR300 31014010630A FRAME/STD,REMOTE-RADIO CONT.,S-HOOK-IN  
 PC1020038-02 OUTRIGGER,REAR (ROTARY)

指示番号 KEY NO.	アウトリカ <sup>°</sup> ,リヤ (カイトンシキ) OUTRIGGER,REAR (ROTARY)
1	フレームASSY FRAME ASSY
3	オペ <sup>°</sup> .ASSY,ソウサハ <sup>°</sup> ルフ <sup>°</sup> OPE.ASSY,CONT.VALVE
4	フ <sup>°</sup> レートASSY,ネーム PLATE ASSY,NAME
121	ハ <sup>°</sup> イピ <sup>°</sup> ング <sup>°</sup> ,リヤ ジ <sup>°</sup> ヤツキ (1) PIPING,REAR JACK (1)
122	ハ <sup>°</sup> ルフ <sup>°</sup> ,マニアル コントロール VALVE,MANUAL CONTROL
123	ハ <sup>°</sup> イピ <sup>°</sup> ング <sup>°</sup> ,ロワー PIPING,LOWER

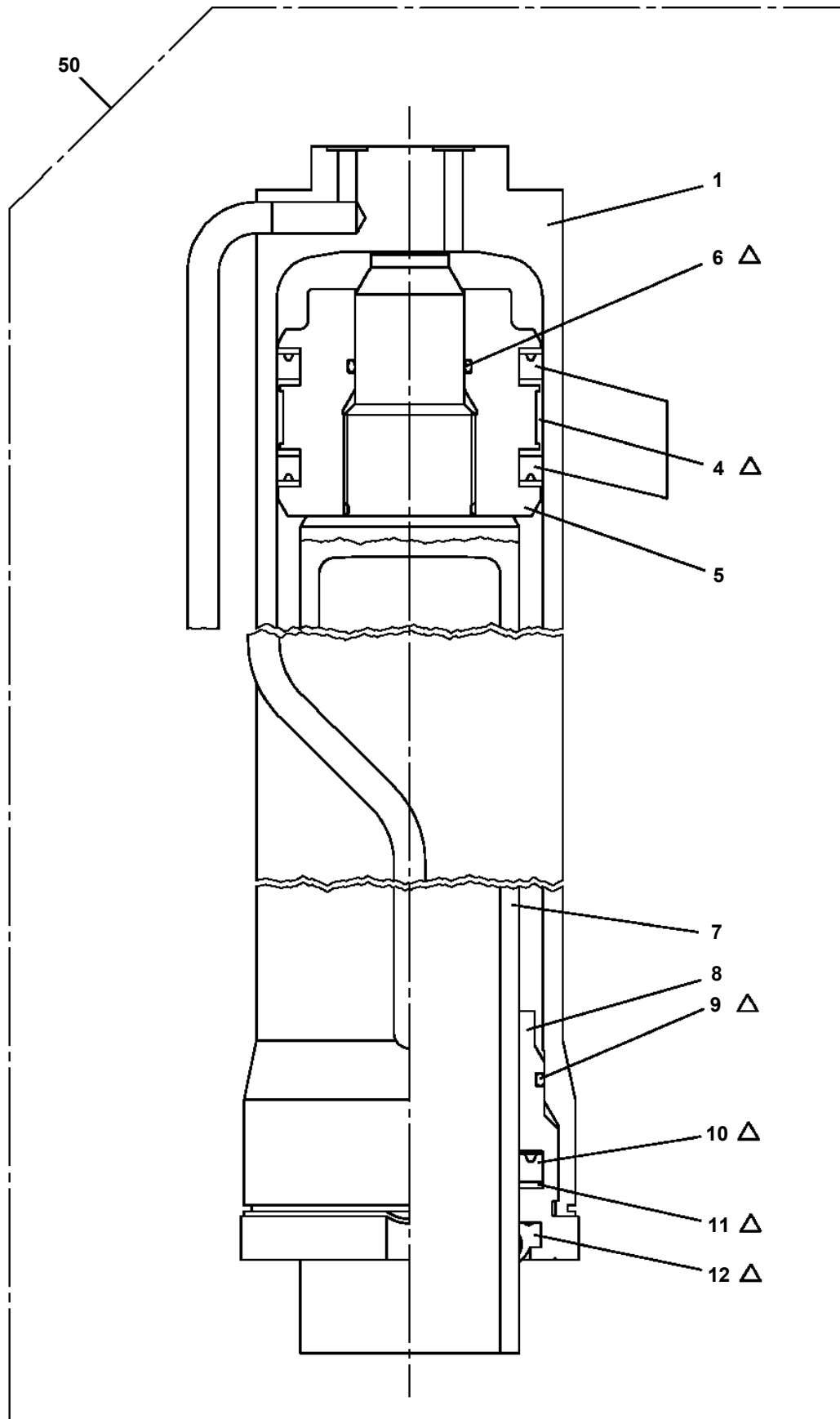
TM-ZR300 31014010630A FRAME/STD,REMOTE-RADIO CONT.,S-HOOK-IN  
PC1020095-02 OUTRIGGER,REAR (FRAME)



**TM-ZR300 31014010630A FRAME/STD,REMOTE-RADIO CONT.,S-HOOK-IN  
PC1030301-03 CYLINDER,JACK (REAR OUTRIGGER)**

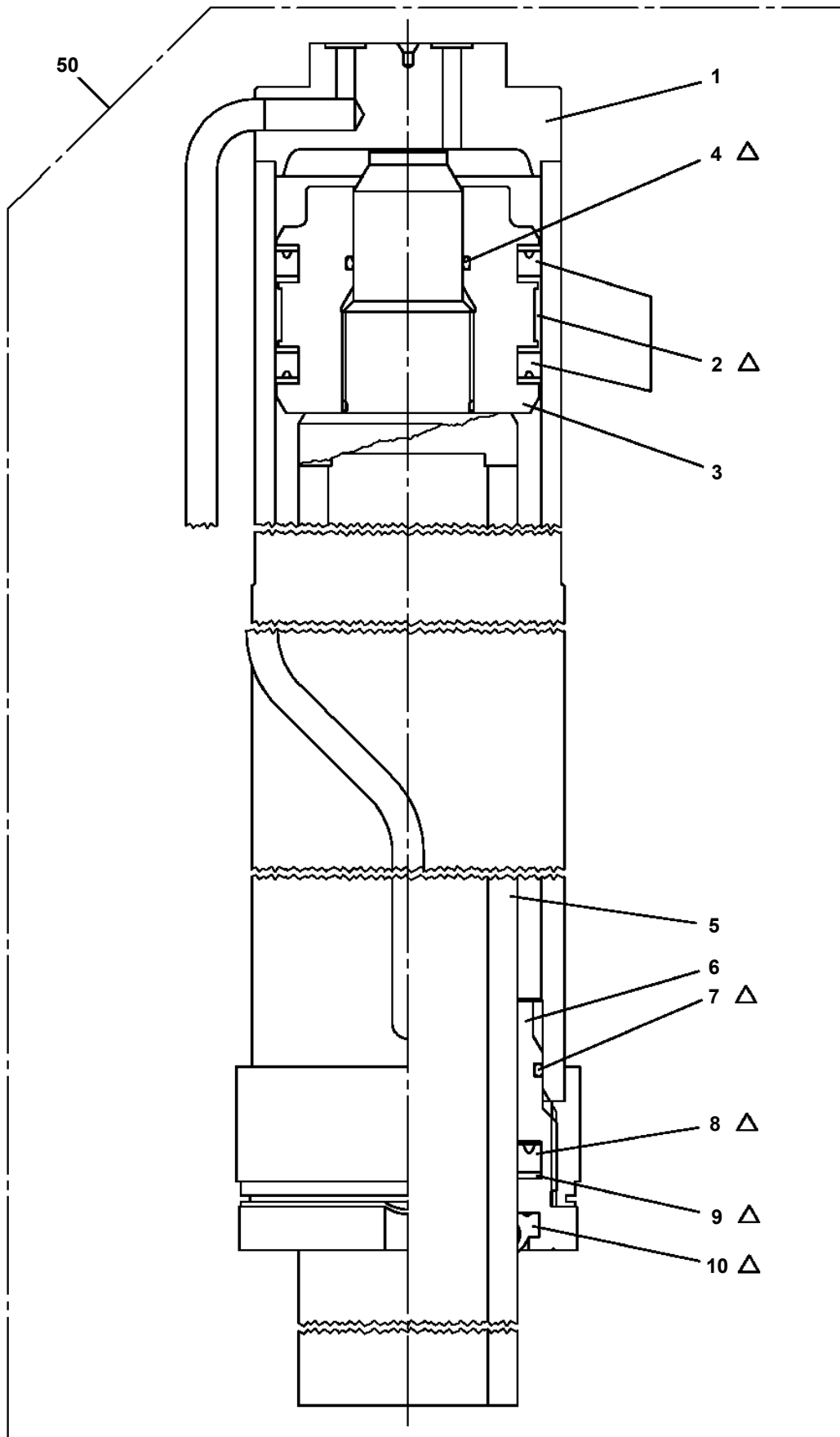


TM-ZR300 31014010630A FRAME/STD,REMOTE-RADIO CONT.,S-HOOK-IN  
PC1030427-01 CYLINDER,JACK (CAST)



Δ:PACKING SET KEY NO.30 (KEY NO.4,6,9,10,11,12 )

TM-ZR300 31014010630A FRAME/STD,REMOTE-RADIO CONT.,S-HOOK-IN  
PC1030437-01 CYLINDER,JACK (FRICTION-WELDED)



△:PACKING SET KEY NO.30 (KEY NO.2,4,7,8,9,10 )



**TM-ZR300 31014010630A FRAME/STD,REMOTE-RADIO CONT.,S-HOOK-IN**

Pos No.	Parts No	Parts Name	Qty	Unit	Technical Data	Serial No (Start)	Serial No (End)	Remarks	Pages
1	37002417360	HOSE	2		L=1800				
2	37002436720	HOSE	2		L=1850				
3	37000924770	FITTING,ELBOW	4						
4	82100002039	CLAMP	4						
5	90101208016	BOLT	2		M8X16				
6	90302040801	WASHER,SPRING	2		8				
7	91810130240	FASTENER	2						
8	90302040601	WASHER,SPRING	2		6				
9	80182206010	SCREW,MACHINE	2						
10	90201200600	NUT	2		M6				

# TM-ZR300 31014010630A FRAME/STD,REMOTE-RADIO CONT.,S-HOOK-IN

Pos No.	Parts No	Parts Name	Qty	Unit	Technical Data	Serial No (Start)	Ser
1	36081325090	RING,SNAP	1				
2	36081325010	SPACER	1				
3	36081325080	SHIM SET	1				
4	36081325110	BEARING,TAPER ROLLER	1				
5	36081325020	WORM	1				
6	36081325120	BEARING,TAPER ROLLER	1				
7	36080755040	GAUGE,OIL	1				
8	36080235080	WASHER,SEAL	1		M16		
9	80316090060	PLUG	1		KKT PT3/8		
12	91280431931	SEAL,OIL	1				
13	36081325050	CASE,GEAR	1				
14	36081325130	BEARING,BALL(METAL SHIELD TYPE 6210ZZC3)	1				
15	36081325140	BEARING,BALL (RUBBER SEAL TYPE 6210LLU)	1				
16	36080495050	BOLT,SEMS (M10X25,WITH WASHER)	9				
17	36080505080	KEY	1				
18	36081325060	WHEEL,WORM	1				
19	36081325070	CASE,GEAR	1				
20	80500006209	BEARING,BALL	1				
21	80601110450	RING,RITAINING	1		S45		
22	36080015000	PIN	2				
23	82400000478	BREATHER	1				
31	36081325500	GEAR,SPUR	1				
50	36081320000	REDUCER,SWING SPEED	1				

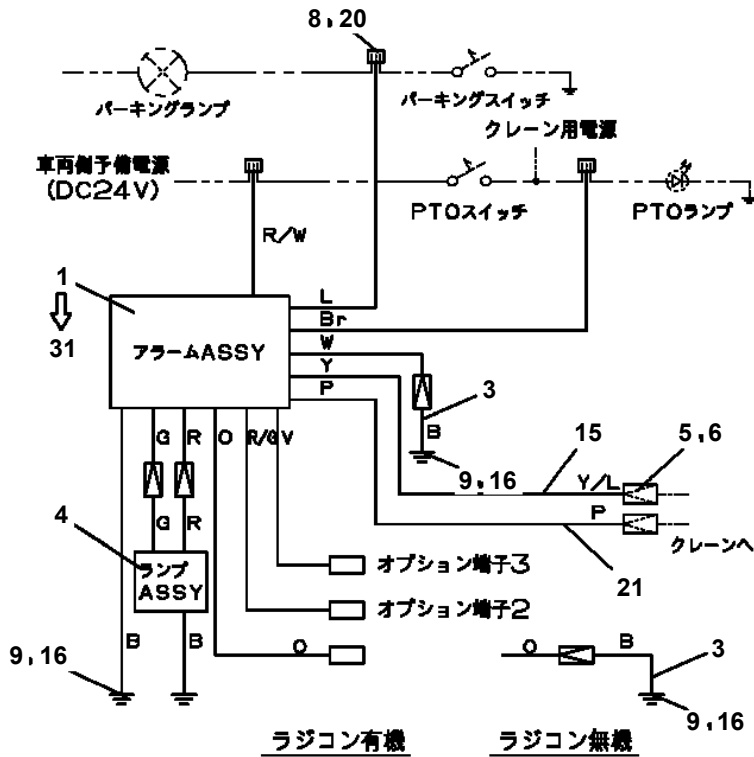
# TM-ZR300 31014010630A FRAME/STD,REMOTE-RADIO CONT.,S-HOOK-IN

Pos No.	Parts No	Parts Name	Qty	Unit	Technical Data	Serial No (Start)	Serial No (End)	Remarks
1	31500701100	HARNESS	1					
2	82100002596	RELAY	1				KD2332	
	34354781720	RELAY (WITH HARNESS)	1			KD2333		
3	31473744700	HARNESS (L=1000)	1					
4	91810130240	FASTENER	4					
5	44630111170	SPACER	1					
6	90186206045	BOLT,FLANGE	1		M6X45			
7	90303070601	WASHER,PLAIN	1		6			

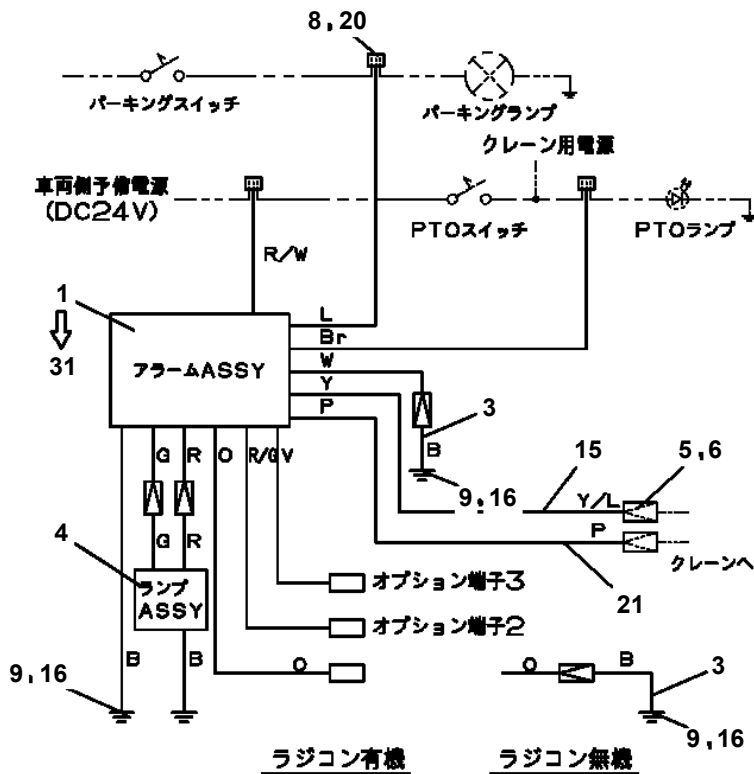
# TM-ZR300 31014010630A FRAME/STD,REMOTE-RADIO CONT.,S-HOOK-IN

Pos No.	Parts No	Parts Name	Qty	Unit	Technical Data	Serial No (Start)	Serial No (End)	Remarks	Pages
1	31502991100	HARNESS	2						000175
2	82100002596	RELAY	2						
3	82115001005	CONNECTOR	1						
4	82100000191	TERMINAL	2						
5	82100000183	INSULATOR	2						
6	91810130240	FASTENER	10						

TM-ZR300 31014010630A FRAME/STD,REMOTE-RADIO CONT.,S-HOOK-IN  
PE5021182-01 ELEC.ASSY (VEHICLE)



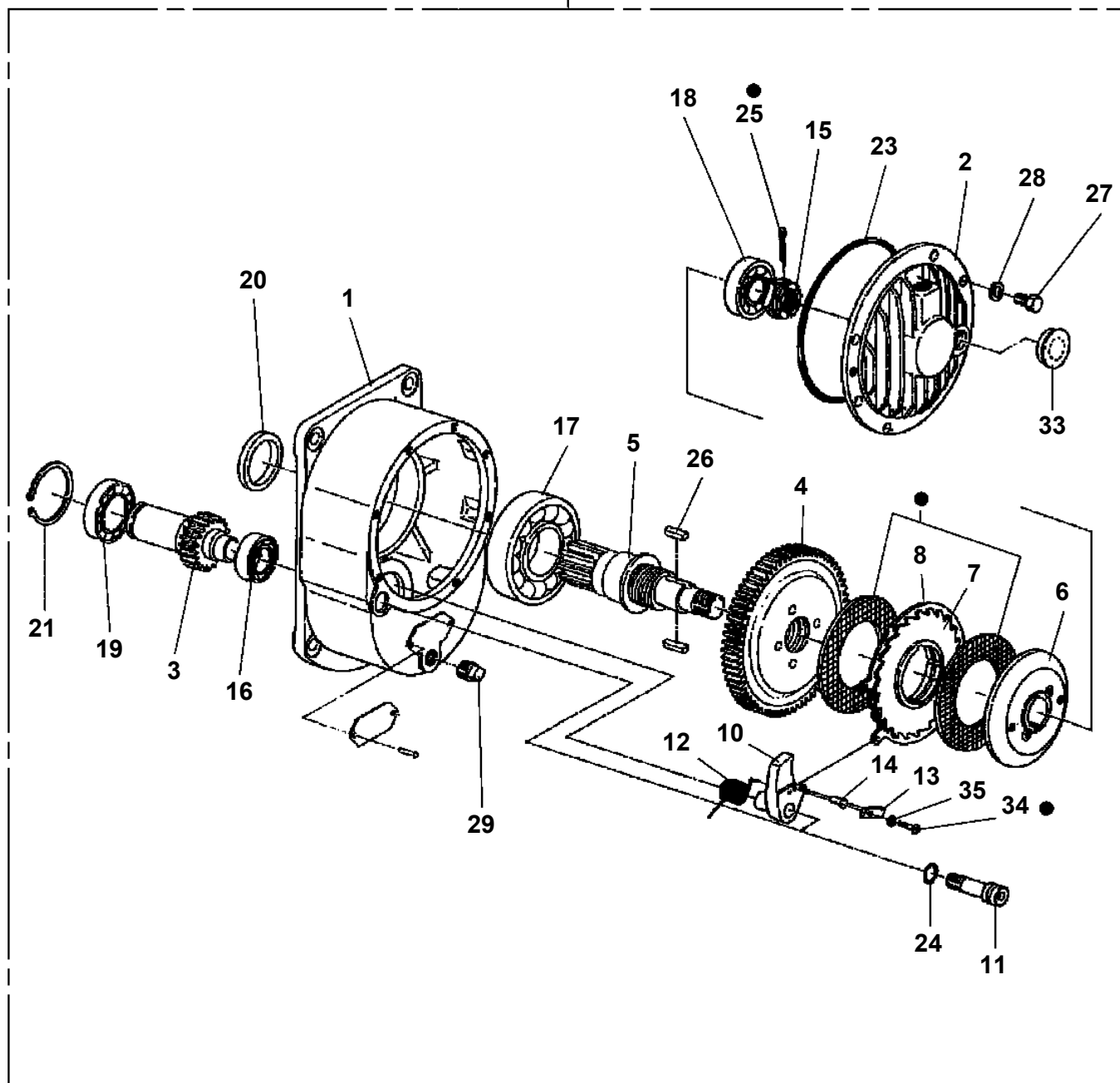
パーキングランプの下流にパーキングスイッチがあり、PTOランプの上流にPTOスイッチがある場合



パーキングランプの上流にパーキングスイッチがあり、PTOランプの上流にPTOスイッチがある場合

**TM-ZR300 31014010630A FRAME/STD,REMOTE-RADIO CONT.,S-HOOK-IN  
PF1010167-02 WINCH (HARTYS)**

100



● : FACING KIT KEY NO.101 ( JAPANESE )

● : FACING KIT KEY NO.102 ( ENGLISH )

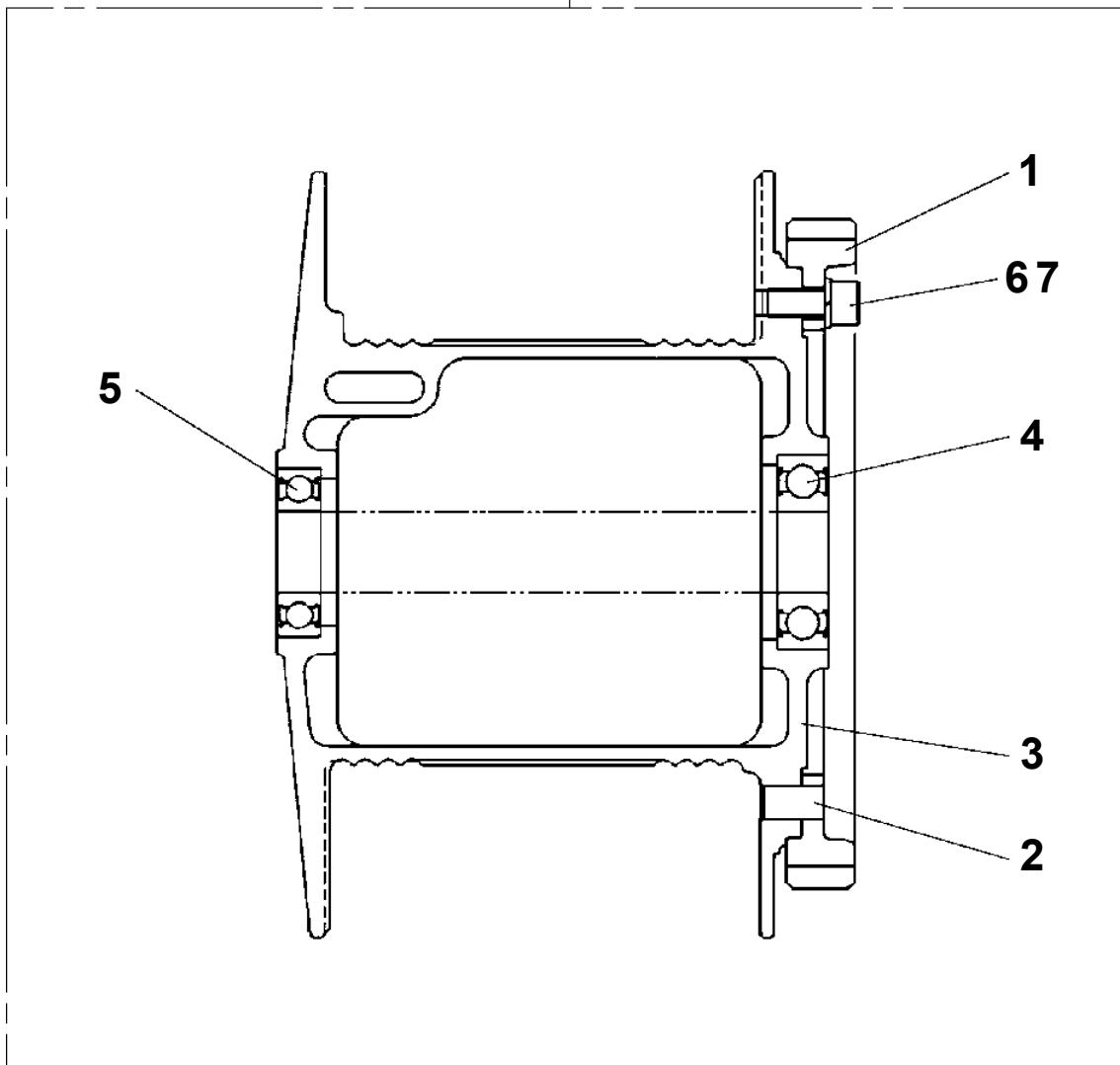


● Protective seal

● Replacement interval name plate

TM-ZR300 31014010630A FRAME/STD,REMOTE-RADIO CONT.,S-HOOK-IN  
PF1020035-00 DRUM,WINCH (Y.G.TEC)

100



**TM-ZR300 31014010630A FRAME/STD,REMOTE-RADIO CONT.,S-HOOK-IN  
PF1050464-00 HOOK (1-PART LINE)**

1	フック HOOK
2	プレートASSY,ネーム PLATE ASSY,NAME
3	ディテクタ,オーバ`ワインド` DETECTOR,OVER WIND

TM-ZR300 31014010630A FRAME/STD,REMOTE-RADIO CONT.,S-HOOK-IN  
PF5100218-01 FRAME ASSY (R/O:WITHOUT LOCK ASSY)

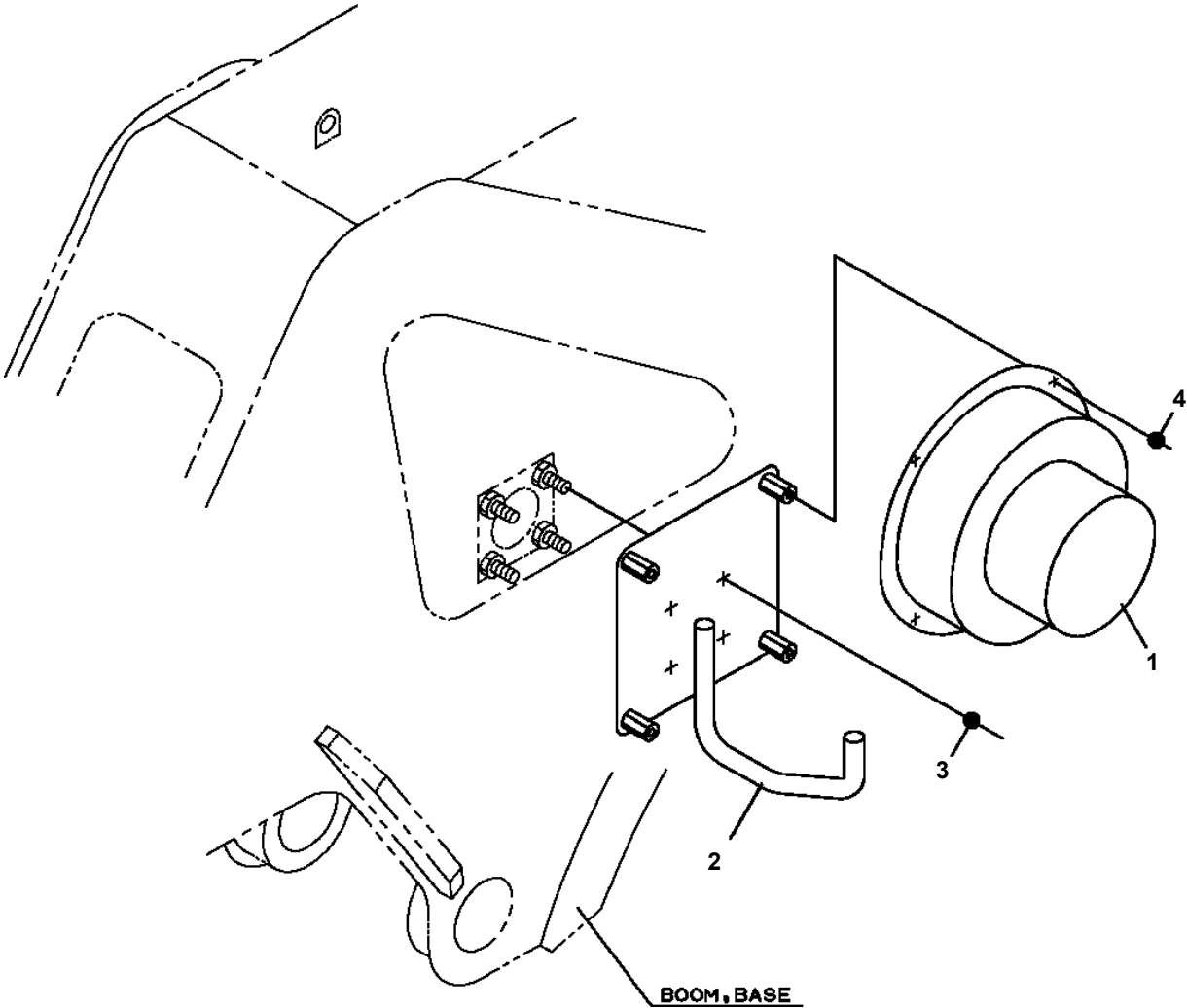
100

指示番号 KEY NO.	フレームASSY (ロックASSYナシ) FRAME ASSY (WITHOUT LOCK ASSY)
1	アウトリカ <sup>*</sup> ,リヤ (フレーム) OUTRIGGER, REAR (FRAME)
2	シリンダ <sup>*</sup> ,ジ <sup>*</sup> ヤツキ (リヤアウトリカ <sup>*</sup> ) CYLINDER, JACK (REAR OUTRIGGER)
3	ハ <sup>*</sup> イピ <sup>*</sup> ンク <sup>*</sup> ,リヤ ジ <sup>*</sup> ヤツキ (2,カイトンシキ) PIPING, REAR JACK (2, ROTARY)

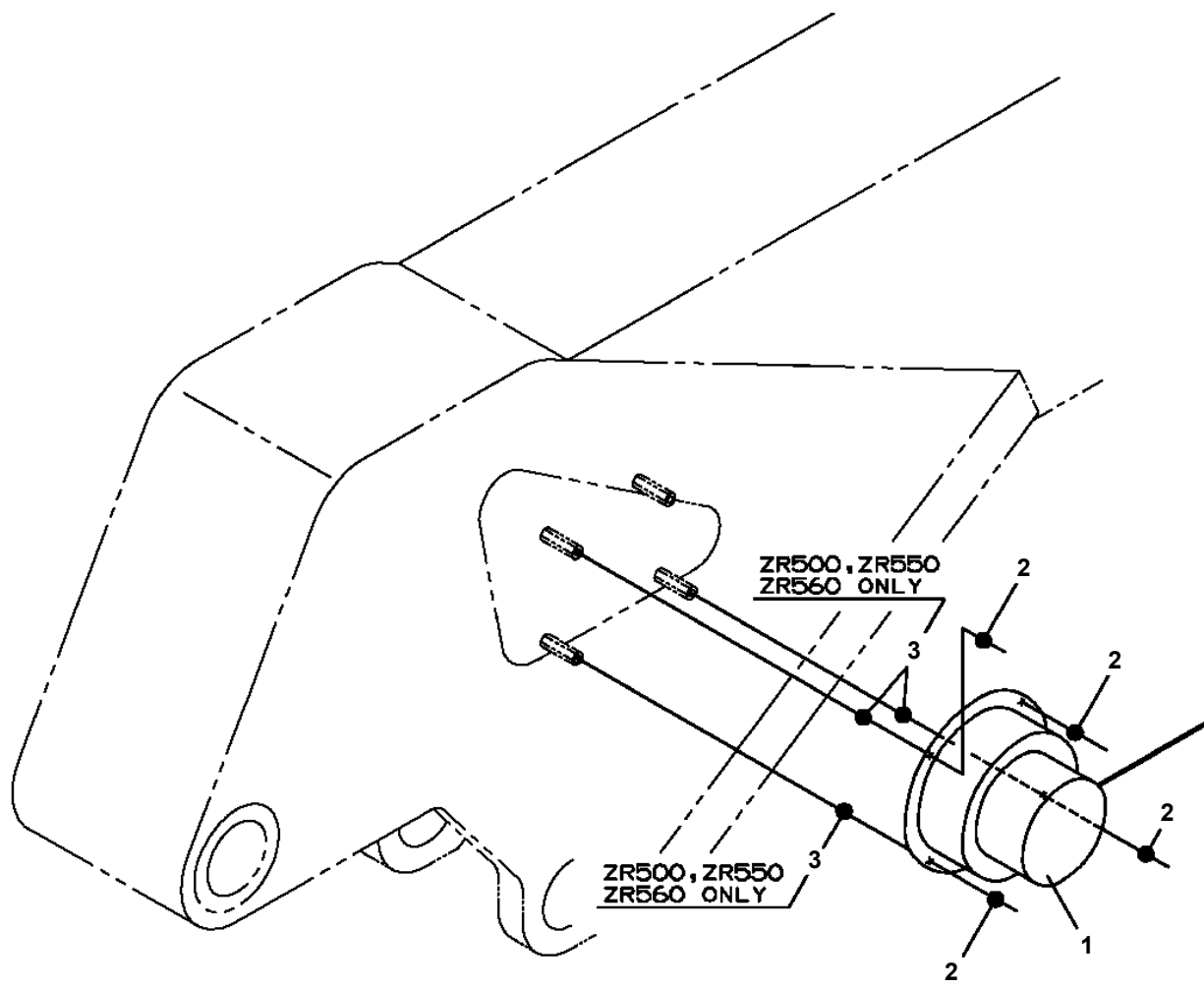
適用製造番号によっては取り付けがないものもあります。

MACHINES OF SOME SERIAL NO. ARE NOT EQUIPPED WITH THESE PARTS.

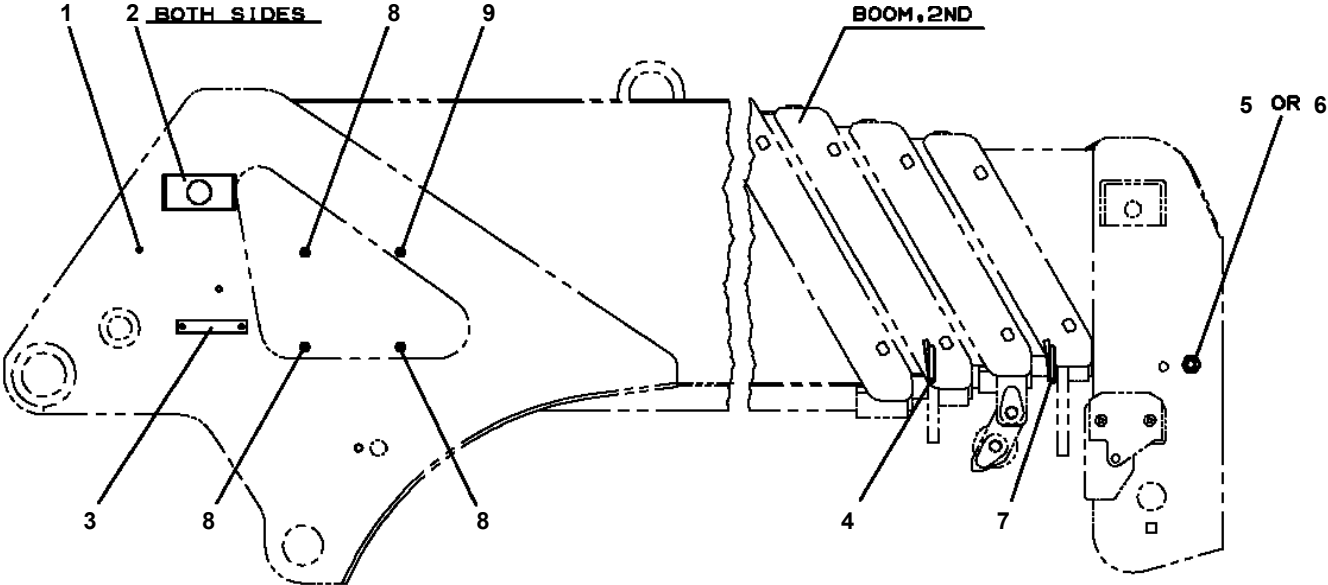
TM-ZR300 31014010630A FRAME/STD,REMOTE-RADIO CONT.,S-HOOK-IN  
PG1120145-00 DETECTOR,BOOM LENGTH (BML,5-6SECT.)



TM-ZR300 31014010630A FRAME/STD,REMOTE-RADIO CONT.,S-HOOK-IN  
PG1130144-01 DETECTOR,BOOM LENGTH (MOUNT)

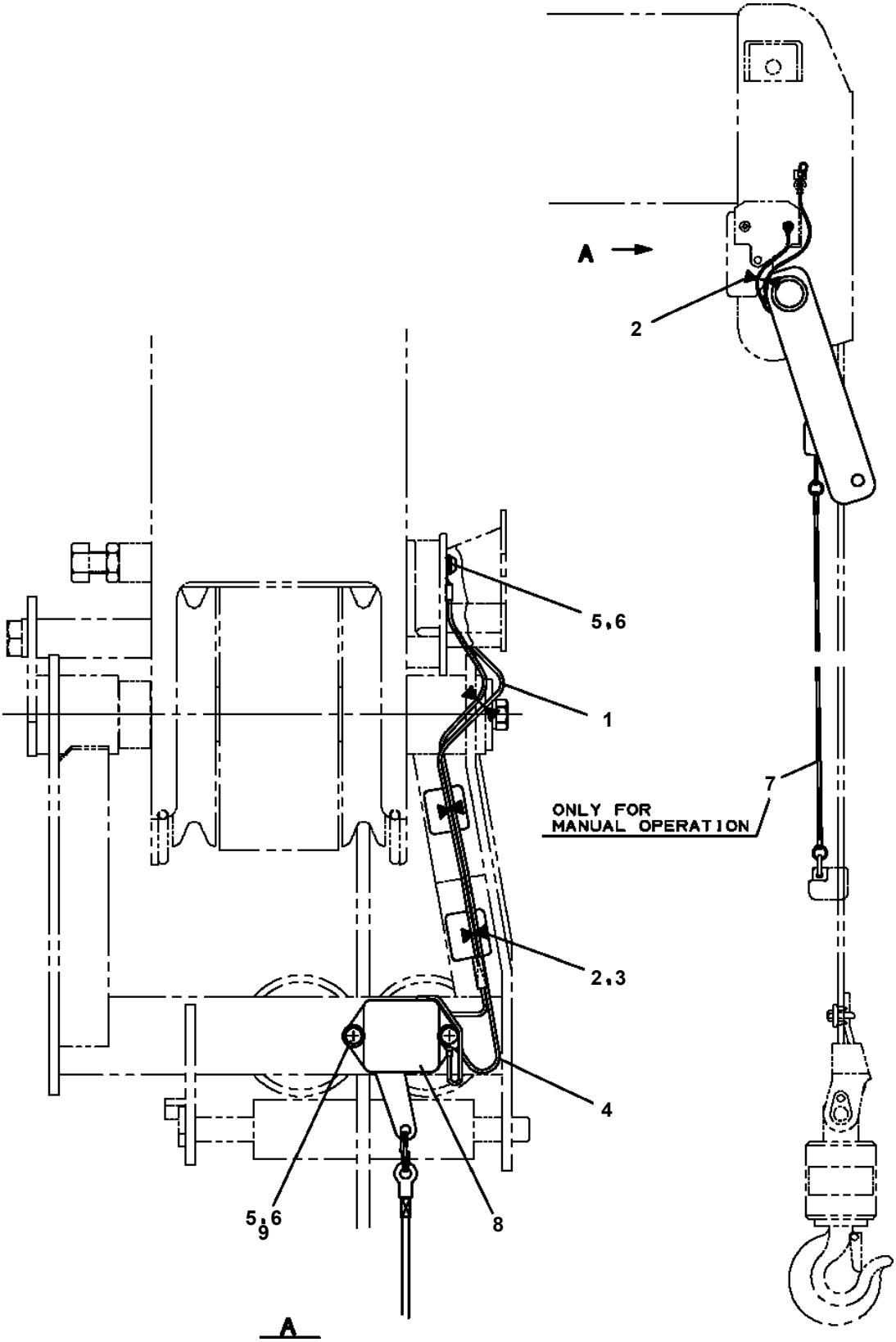


**TM-ZR300 31014010630A FRAME/STD,REMOTE-RADIO CONT.,S-HOOK-IN  
PG1350029-00 WELDED PARTS (SUPPORT FOR BML)**

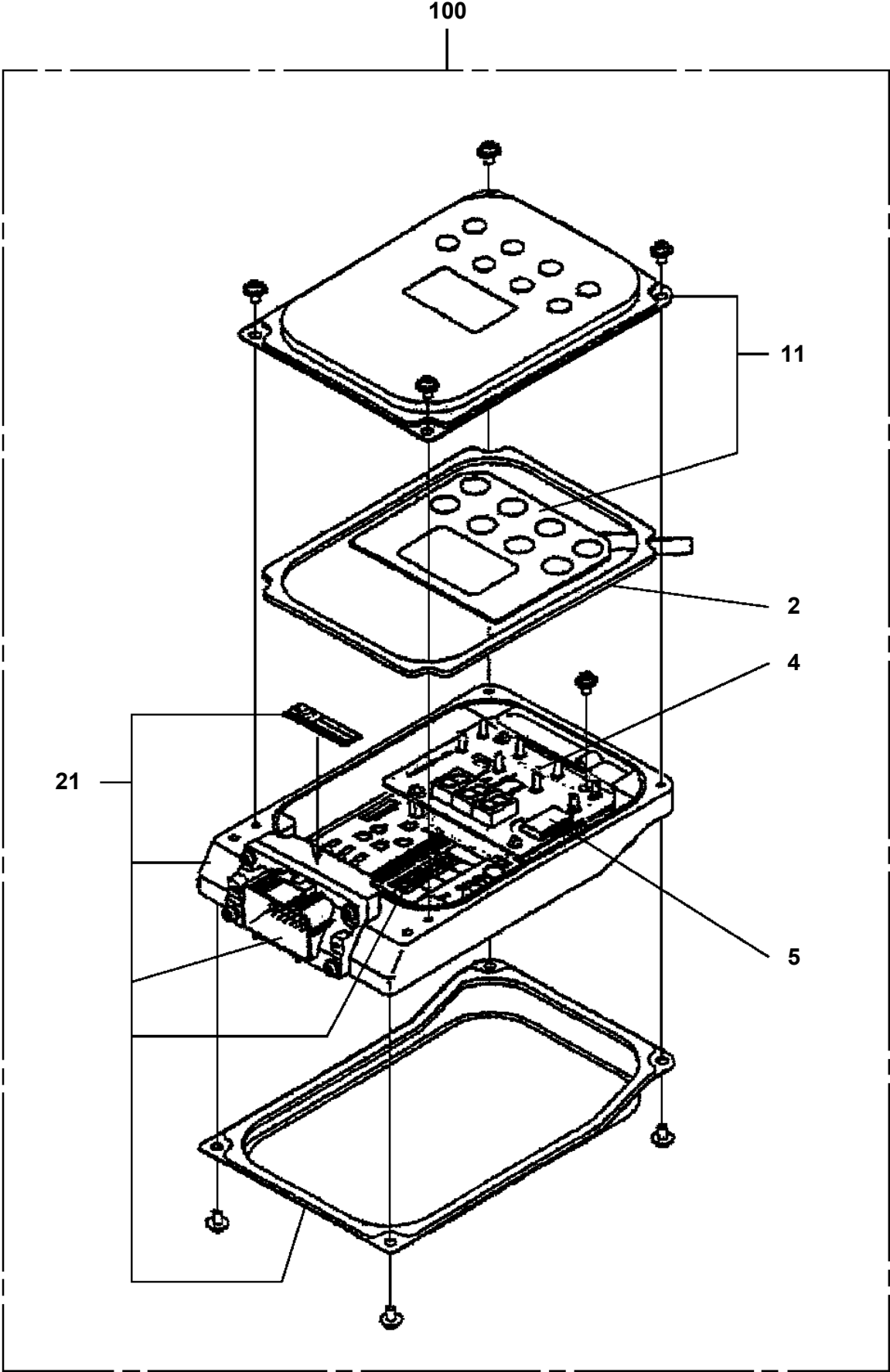


KEY NO.	MODEL
5	ZR266, ZR296 ZR306, ZR366
6	ZR265, ZR295 ZR305, ZR365

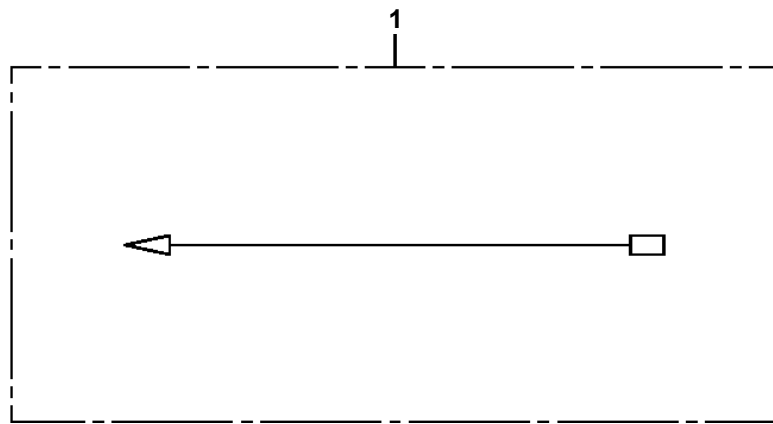
TM-ZR300 31014010630A FRAME/STD,REMOTE-RADIO CONT.,S-HOOK-IN  
PH1060327-00 DETECTOR,OVER WINDING (RETAINING WIRE RO



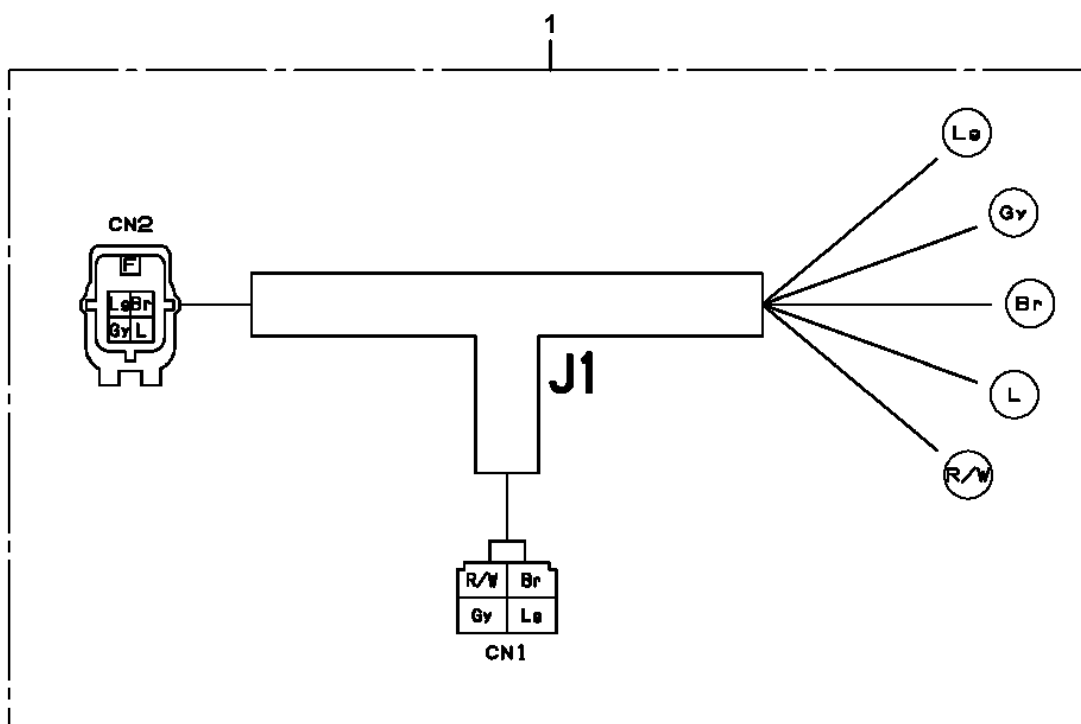
TM-ZR300 31014010630A FRAME/STD,REMOTE-RADIO CONT.,S-HOOK-IN  
PH1250115-00 MOMENT LIMITER (BML)



**TM-ZR300 31014010630A FRAME/STD,REMOTE-RADIO CONT.,S-HOOK-IN  
PH5032122-00 HARNESS (L=1000)**



TM-ZR300 31014010630A FRAME/STD,REMOTE-RADIO CONT.,S-HOOK-IN  
PH5034297-00 HARNESS



## TM-ZR300 31014010630A FRAME/STD,REMOTE-RADIO CONT.,S-HOOK-IN

Pos No.	Parts No	Parts Name	Qty	Unit	Technical Data	Serial No (Start)	Serial No (End)	Remarks
1	36663955100	SHAFT	1			ES7642		
2	80500006206	BEARING,BALL	1					
4	91001206500	O-RING	1		1A G65			
5	36660025021	COVER (OIL SEAL)	1					
6	36660025140	SEAL,OIL	1					
7	36663485110	RING,RETAINING	1		R72			
8	36663955020	PLATE,THRUST	1					
9	36663955030	BARREL ASSY (CYLINDER)	1					
10	36663955040	PLATE (VALVE)	1					
11	36661925030	COVER (BOTTOM)	1					
12	80500006203	BEARING,BALL	1					
13	36662355110	PIN	2					
14	36663955050	O-RING	1					
15	36663955060	BOLT	6		M10X35			
16	14125151020	KEY	1					
17	36660125060	PLUG	2		PF3/8			
18	36081315130	PROTECTOR (THREAD)	2					
19	91001102201	O-RING	1		1A P22A			
21	36663955070	PISTON (LOCK)	1					
22	91001101800	O-RING	1		1A P18			
23	91410001800	RING,BACKUP	1		P18			
24	36663955080	SPRING (LOCK)	1					
25	36663955090	CAP (LOCK)	1					
44	36660025100	SPRING (PLUNGER)	5					
45	14125151300	RING,RETAINING	1					
46	12645103171	SPRING (CENTER)	1					
200	36663950000	MOTOR,HYDRAULIC	1					

# TM-ZR300 31014010630A FRAME/STD,REMOTE-RADIO CONT.,S-HOOK-IN

Pos No.	Parts No	Parts Name	Qty	Unit	Technical Data	Serial No (Start)	Serial No (End)	Remarks
8	36642935040	RING	4					
9	36646085020	O-RING	2				ER2176	
11	36640085025	SPRING	2					
12	36646085030	SOLENOID	1				ER2176	
104	36642935050	PLUG	1			ER2177		
109	36642935060	O-RING	2			ER2177		
115	90131505050	BOLT,HEXAGON SOCKET	4		M5X50	ER2177		
156	36602555010	O-RING	1			ER2177		
157	36646085031	SOLENOID	1			ER2177		
159	36649855100	O-RING	1			ER2177		
160	36640085015	RETAINER	2			ER2177		
163	36647895010	PROTECTOR	1			ER2177		
200	36645900000	VALVE,SOLENOID	1					

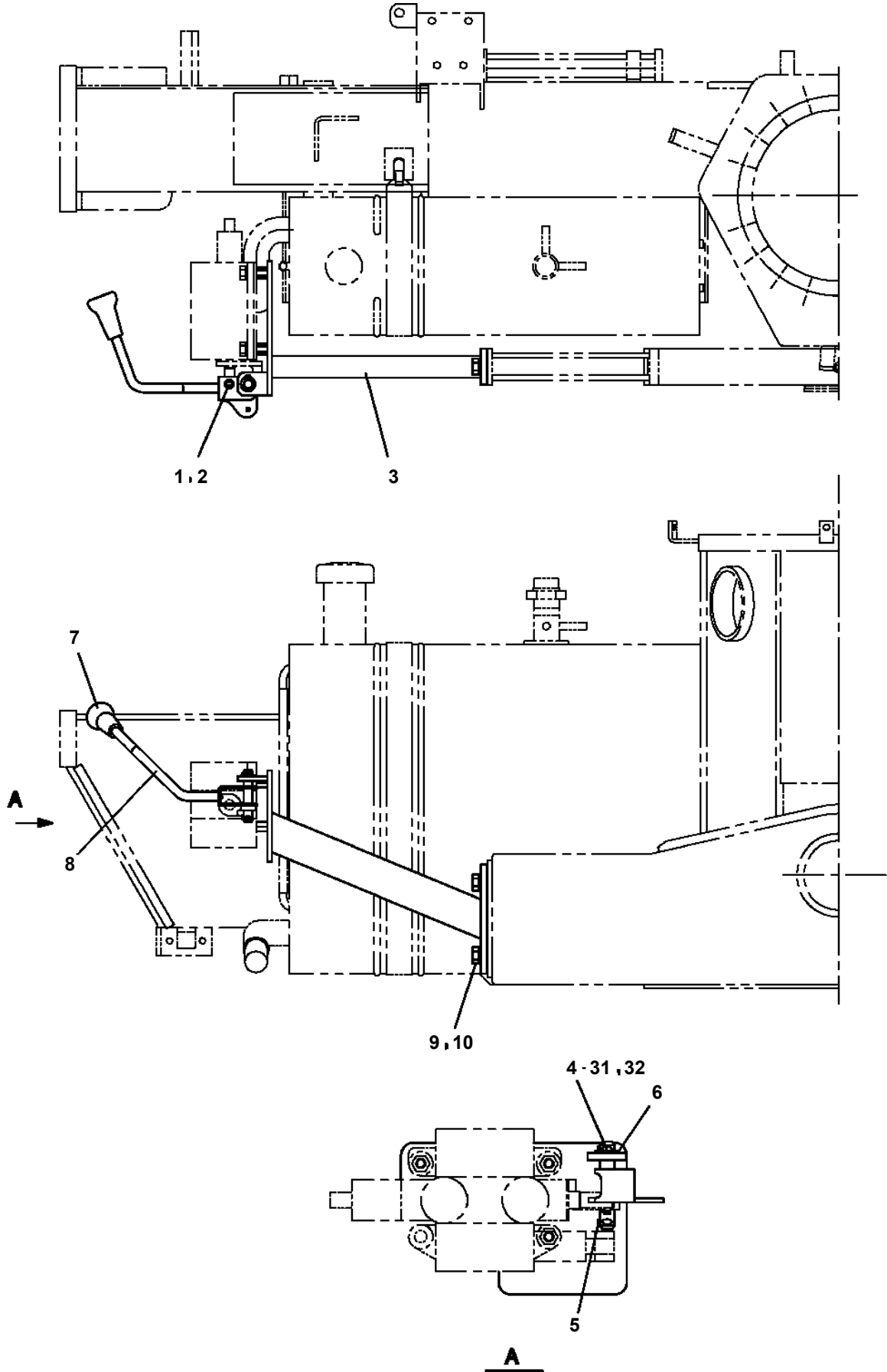
# TM-ZR300 31014010630A FRAME/STD,REMOTE-RADIO CONT.,S-HOOK-IN

Pos No.	Parts No	Parts Name	Qty	Unit	Technical Data	Serial No (Start)	S
1	36682150000	METER,LOAD (2.9TON KUSABA/ENG.& JAPANESE)	1				

**TM-ZR300 31014010630A FRAME/STD,REMOTE-RADIO CONT.,S-HOOK-IN**

Pos No.	Parts No	Parts Name	Qty	Unit	Technical Data	Serial No (Start)	Serial No (End)	Remarks
1	31950302001	LOCK ASSY	1				ES9079	
	31950302002	LOCK ASSY	1			ES9080	KA6222	
	31950302003	LOCK ASSY	1			KA6223	KA9834	
	31950472000	LOCK ASSY	1			KA9835		
2	90203201000	NUT	2		M10			
3	90172110055	BOLT,HEXAGON SOCKET	2		M10X55			
4	90172110020	BOLT,HEXAGON SOCKET	4		M10X20			
5	31950332001	LOCK ASSY	1				ES9079	
	31950332002	LOCK ASSY	1			ES9080	KA6222	
	31950332003	LOCK ASSY	1			KA6223	KA9834	
	31950492000	LOCK ASSY	1			KA9835		
6	90303071001	WASHER,PLAIN	4		10			
21	31950300401	SUPPORT	1				ES9079	
	31950300402	SUPPORT	1			ES9080		
22	31950300460	SUPPORT (STEEL CAST)	1			ES9080		
	37000537270	PLATE	2				KA6222	
	37000537270	PLATE	2				ES9079	
	37000537270	PLATE	2			ES9080	KA9834	
	37000537270	PLATE	2			KA6223		
23	37000537270	PLATE	2			KA9835		
	31950300501	LEVER	1				KA6222	
	31950300501	LEVER	1				ES9079	
	31950300501	LEVER	1			ES9080	KA9834	
	31950300501	LEVER	1			KA6223	KA9834	
24	31950491100	LEVER	2			KA9835		
	37001400341	SPRING	1					
25	31950300601	HOOK	1				KA6222	
	31950300601	HOOK	1				ES9079	
	31950300601	HOOK	1			ES9080	KA6222	
	31950300602	HOOK	2			KA6223		
26	37001510080	BOLT,HEXAGON SOCKET	1				ES9079	
	37001510080	BOLT,HEXAGON SOCKET	1				KA6222	
	37001510080	BOLT,HEXAGON SOCKET	1			ES9080	KA9834	
	37001510080	BOLT,HEXAGON SOCKET	1			KA6223		
	37001510080	BOLT,HEXAGON SOCKET	1			KA9835		
27	90303071201	WASHER,PLAIN	1		12		ES9079	
	90303071201	WASHER,PLAIN	1		12		KA6222	
	90303071201	WASHER,PLAIN	1		12	ES9080	KA9834	
	90303071201	WASHER,PLAIN	1		12	KA6223		
	90303071201	WASHER,PLAIN	1		12	KA9835		
28	82400000527	CAP	1				KA6222	
	82400000527	CAP	1				ES9079	
	82400000527	CAP	1			ES9080	KA9834	
	82400000527	CAP	1			KA6223		
	82400000527	CAP	1			KA9835		
29	90203201200	NUT	1		M12		ES9079	
	90203201200	NUT	1		M12		KA6222	
	90203201200	NUT	1		M12	ES9080	KA9834	
	90203201200	NUT	1		M12	KA6223		
	90203201200	NUT	1		M12	KA9835		
30	37000400510	BEARING,PLAIN	2				ES9079	
	37000400510	BEARING,PLAIN	2				KA6222	
	37000400510	BEARING,PLAIN	2			ES9080	KA9834	
	37000400510	BEARING,PLAIN	2			KA6223		
	37000400510	BEARING,PLAIN	2			KA9835		
31	80824001206	BEARING,PLAIN	1				KA6222	
	80824001206	BEARING,PLAIN	1				ES9079	
	80824001206	BEARING,PLAIN	1			ES9080	KA9834	
	80824001206	BEARING,PLAIN	1			KA6223		
	80824001206	BEARING,PLAIN	1			KA9835		
41	31950330701	SUPPORT	1				ES9079	
	31950330702	SUPPORT	1			ES9080		
	31950330720	SUPPORT (STEEL CAST)	1			ES9080		

TM-ZR300 31014010630A FRAME/STD,REMOTE-RADIO CONT.,S-HOOK-IN  
PL1010569-03 OPE.ASSY,CONT.VALVE (POWER SUPPLY)



CLICK HERE TO **DOWNLOAD** THE COMPLETE MANUAL

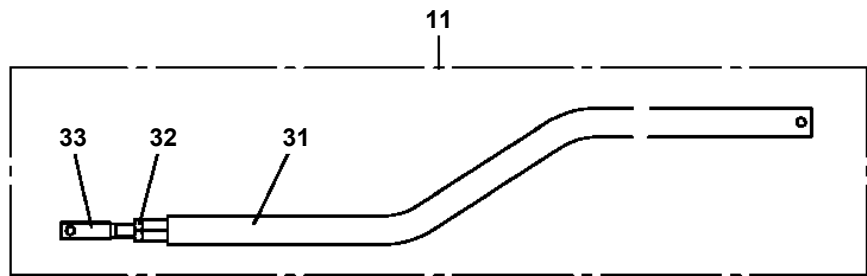
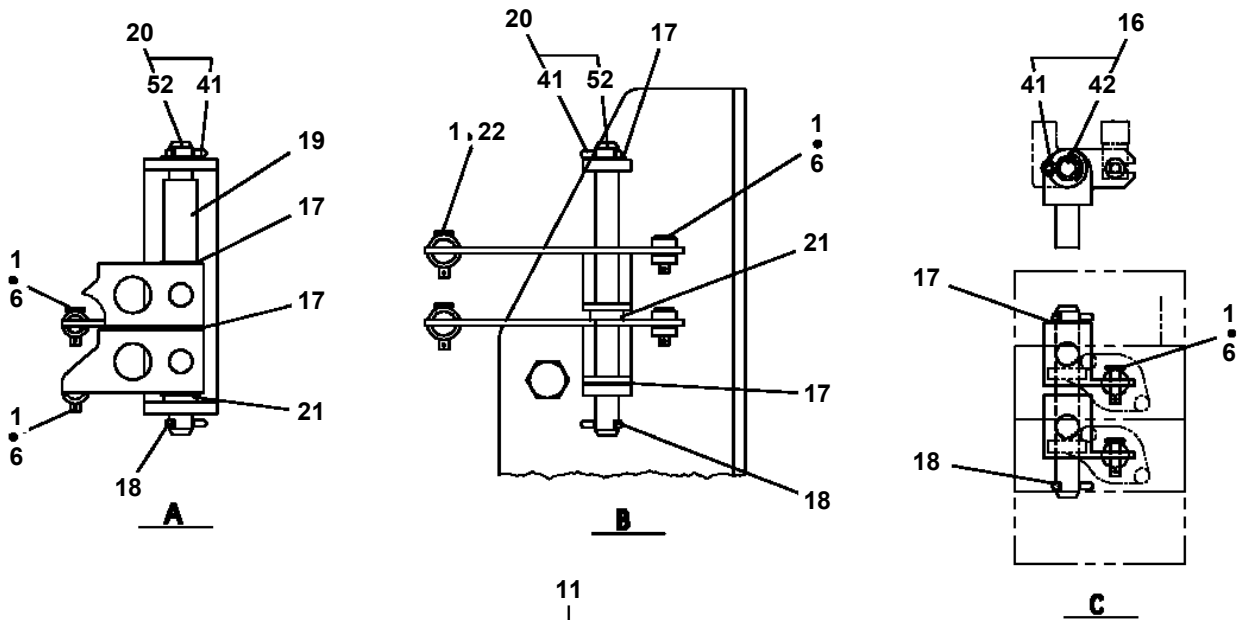
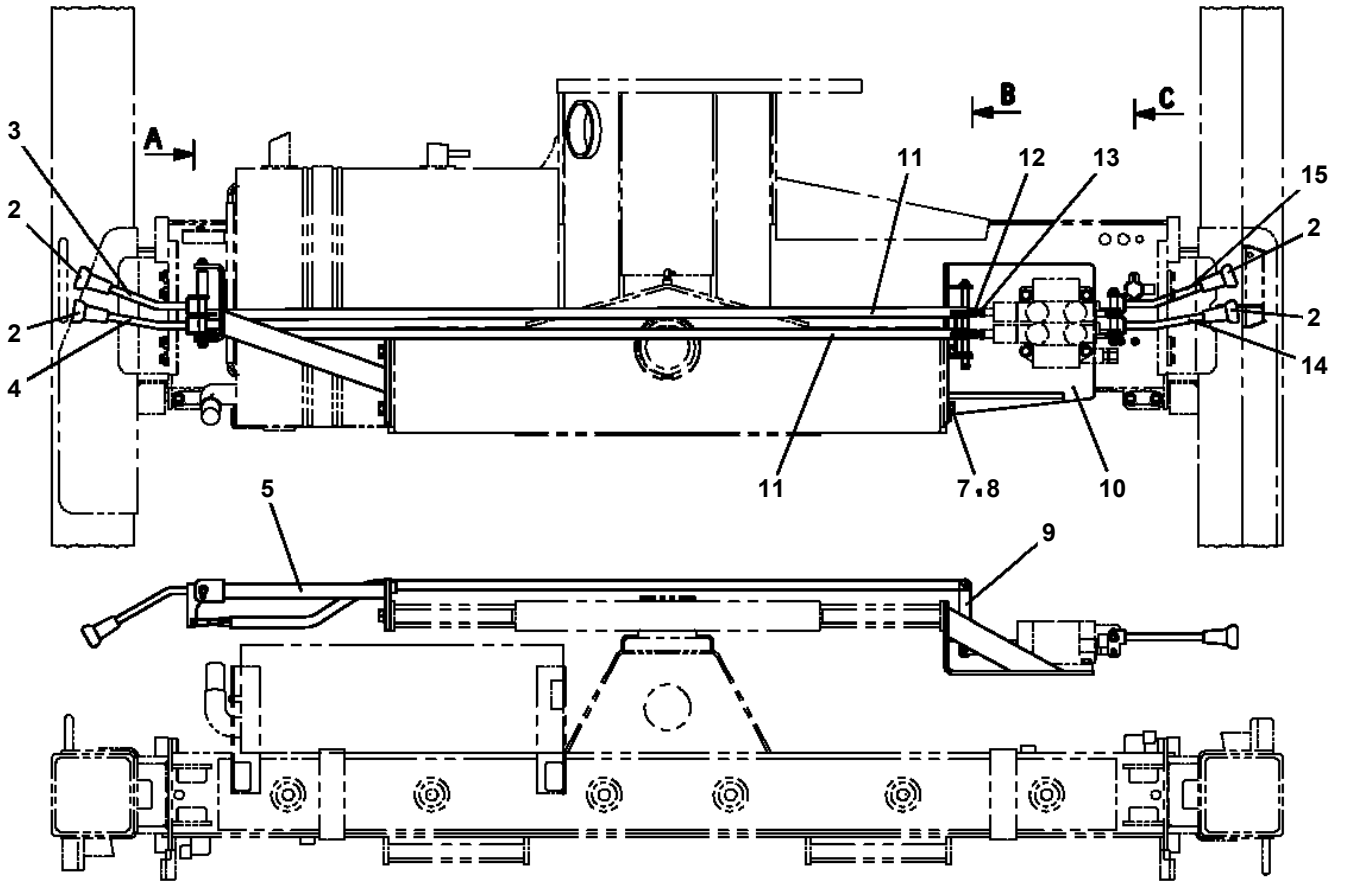
- Thank you very much for reading the preview of the manual.
- You can download the complete manual from: [www.heydownloads.com](http://www.heydownloads.com) by clicking the link below



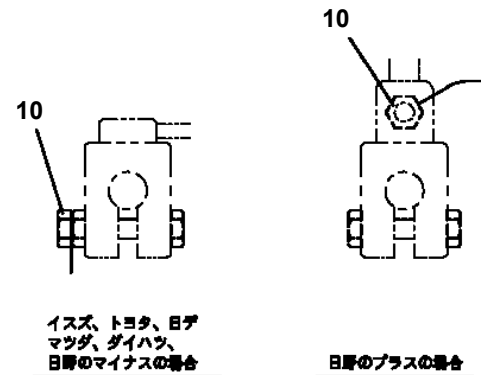
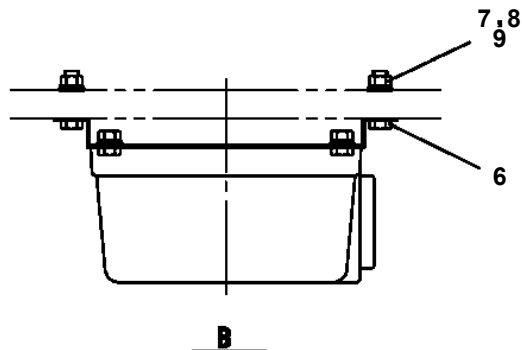
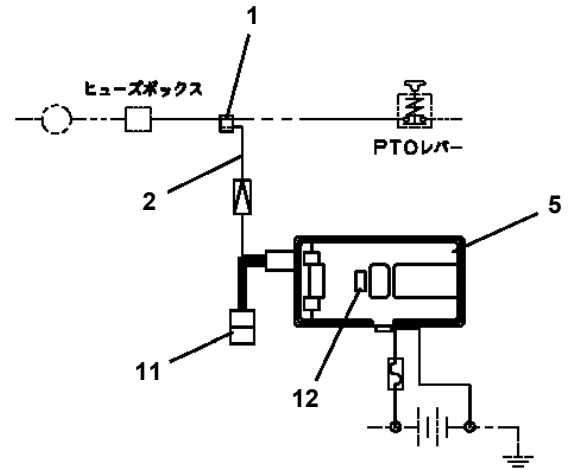
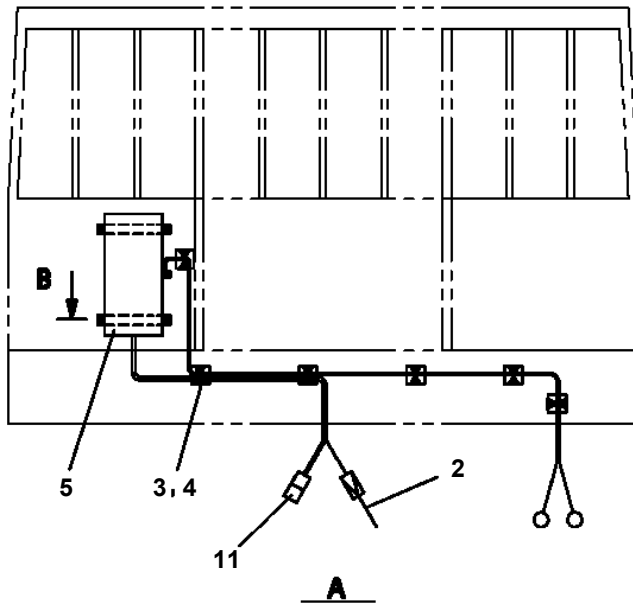
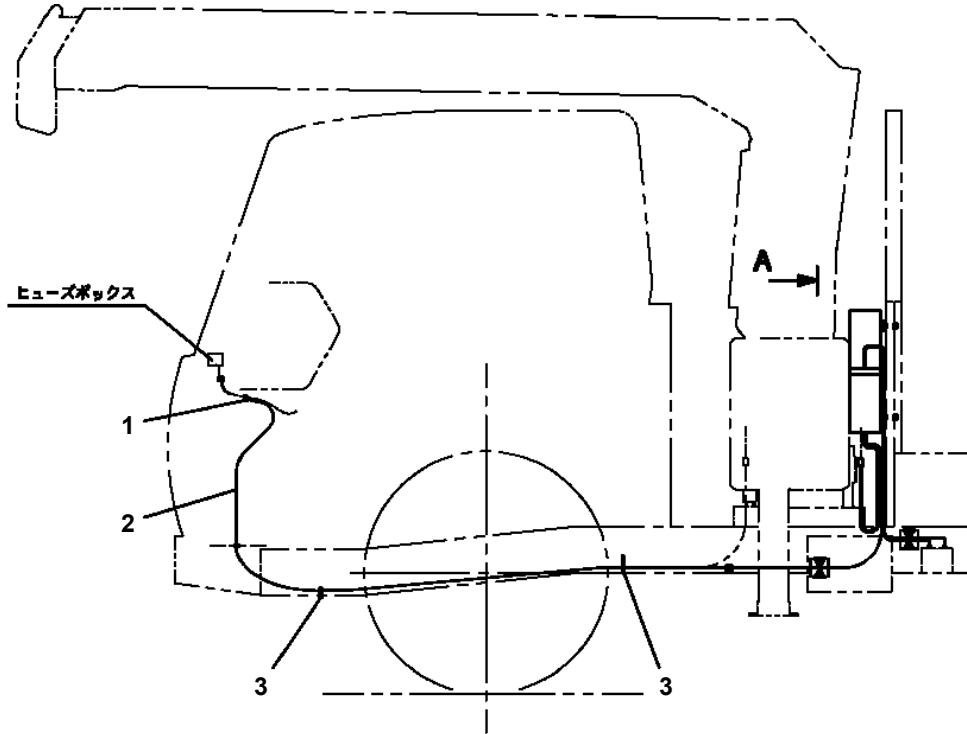
- Please note: If there is no response to CLICKING the link, please download this PDF first and then click on it.

CLICK HERE TO **DOWNLOAD** THE COMPLETE MANUAL

**TM-ZR300 31014010630A FRAME/STD,REMOTE-RADIO CONT.,S-HOOK-IN  
 PL1011067-00 OPE.ASSY,CONT.VALVE**

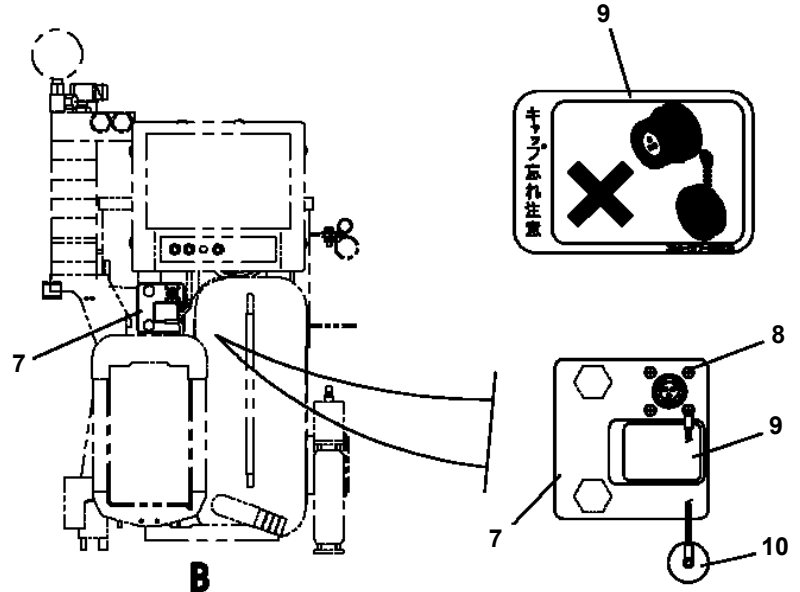
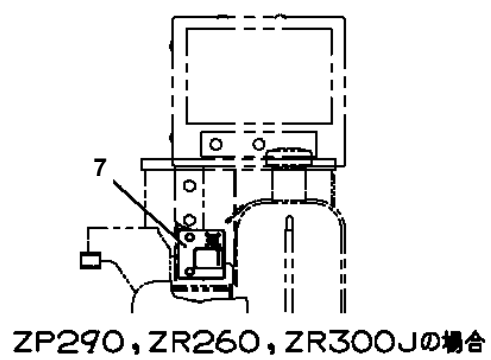
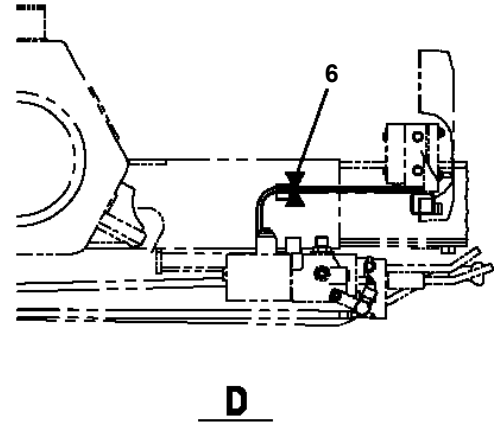
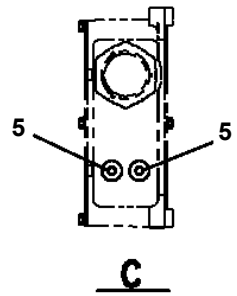
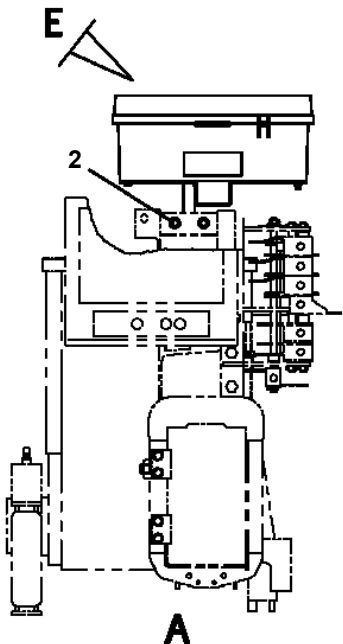
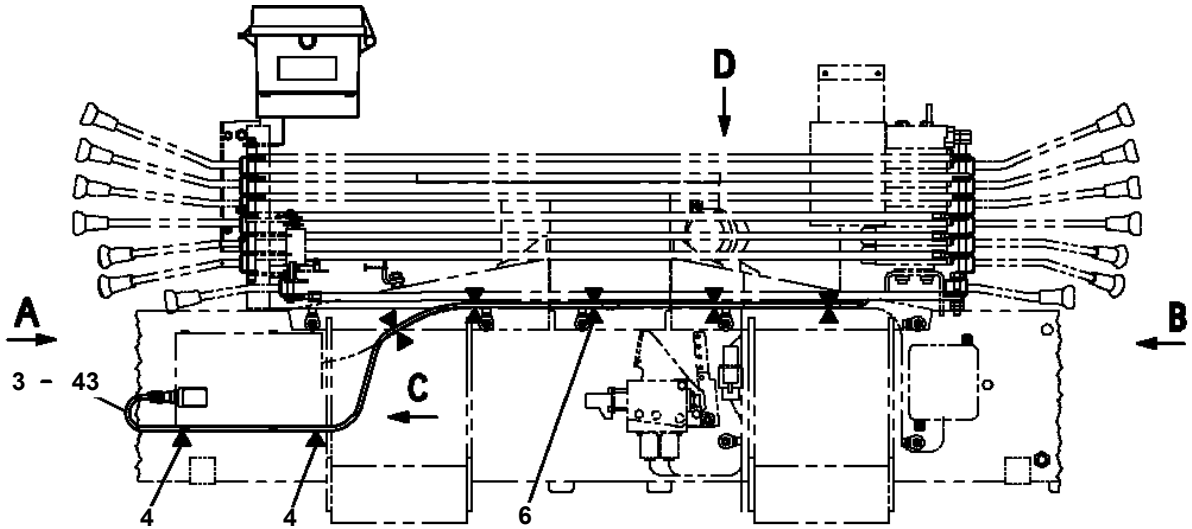


**TM-ZR300 31014010630A FRAME/STD,REMOTE-RADIO CONT.,S-HOOK-IN  
PN1012235-01 ELEC.ASSY (CONVERTER DC24V-AC100V)**



バッテリーハーネス取付

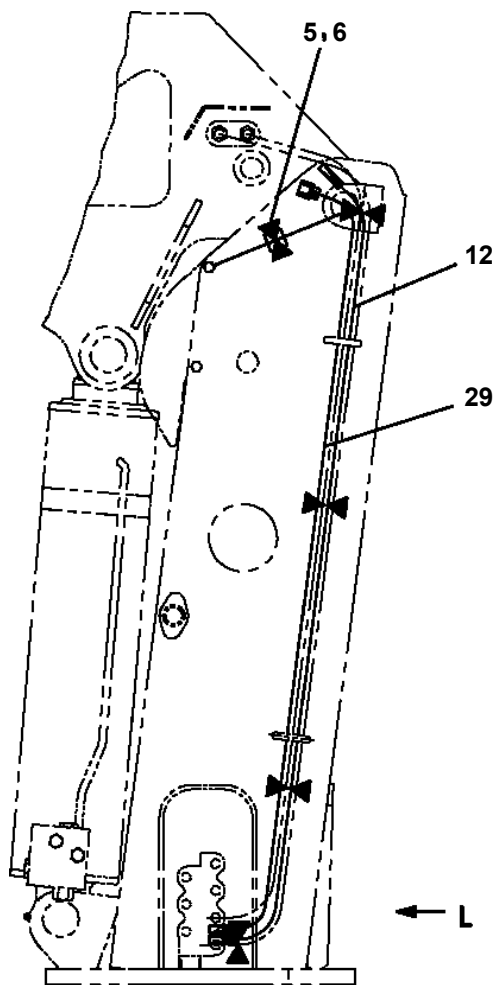
TM-ZR300 31014010630A FRAME/STD,REMOTE-RADIO CONT.,S-HOOK-IN  
 PN1012325-03 ELEC.ASSY (REMOTE CONTROL)



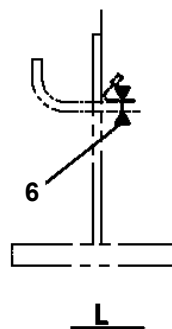
**TM-ZR300 31014010630A FRAME/STD,REMOTE-RADIO CONT.,S-HOOK-IN**

Pos No.	Parts No	Parts Name	Qty	Unit	Technical Data	Serial No (Start)	Serial No (End)	Re
1	31476062200	HARNESS	1					
2	91810130240	FASTENER	8					
3	31477311200	SWITCH ASSY (PLATING:NACC)	1					
4	31477311100	PLATE,NAME	1					
5	82197518119	CAP (PLUS ONE MFG./BLACK)	1					
	82197518114	CAP (MATSUSHITA/BLACK)	1					
6	31477372100	HARNESS	1					
7	91850310405	CLAMP (BLACK)	2					

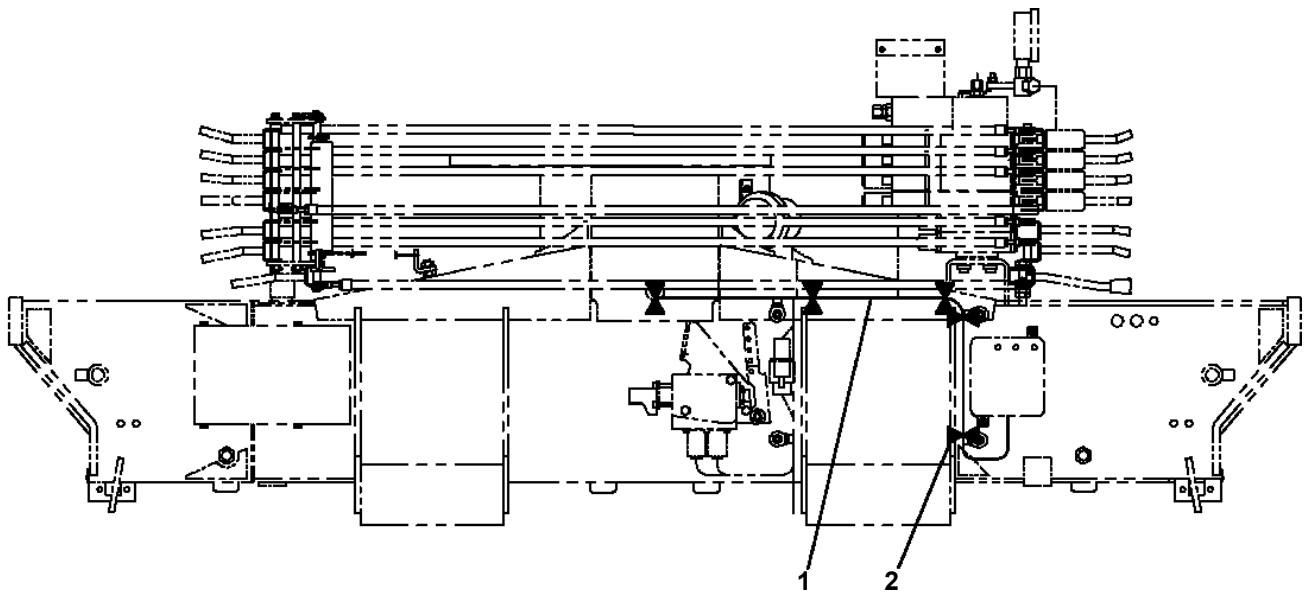
TM-ZR300 31014010630A FRAME/STD,REMOTE-RADIO CONT.,S-HOOK-IN  
PN1012638-03 ELEC.ASSY



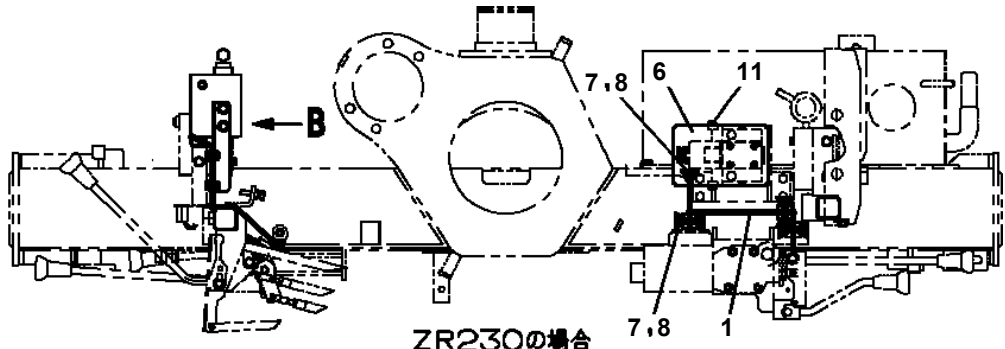
ポスト部配線



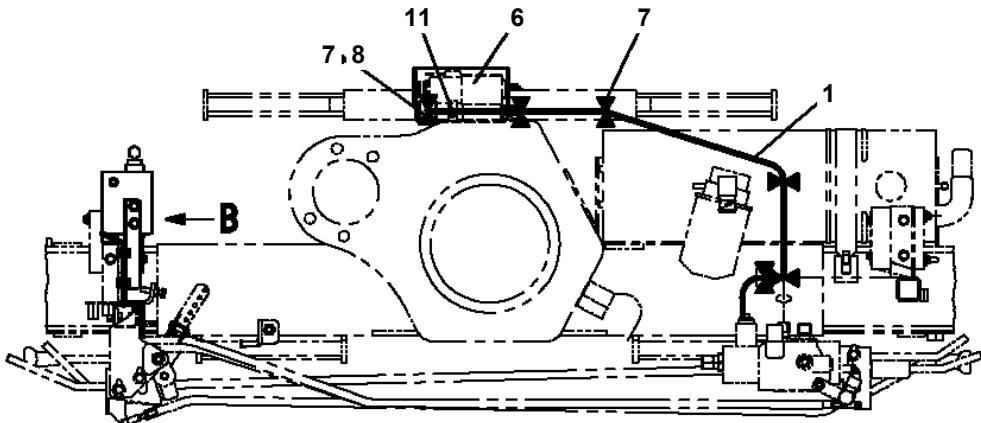
**TM-ZR300 31014010630A FRAME/STD,REMOTE-RADIO CONT.,S-HOOK-IN  
PN1013756-00 ELEC.ASSY (FRAME)**



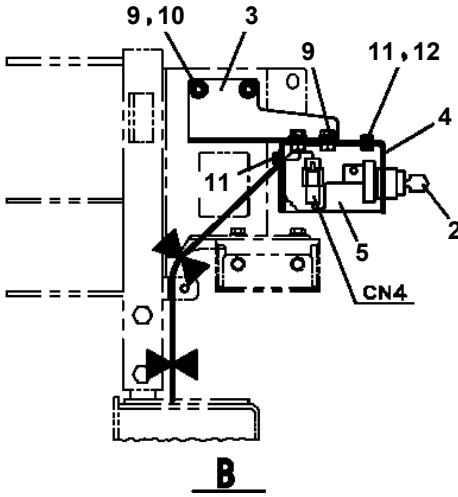
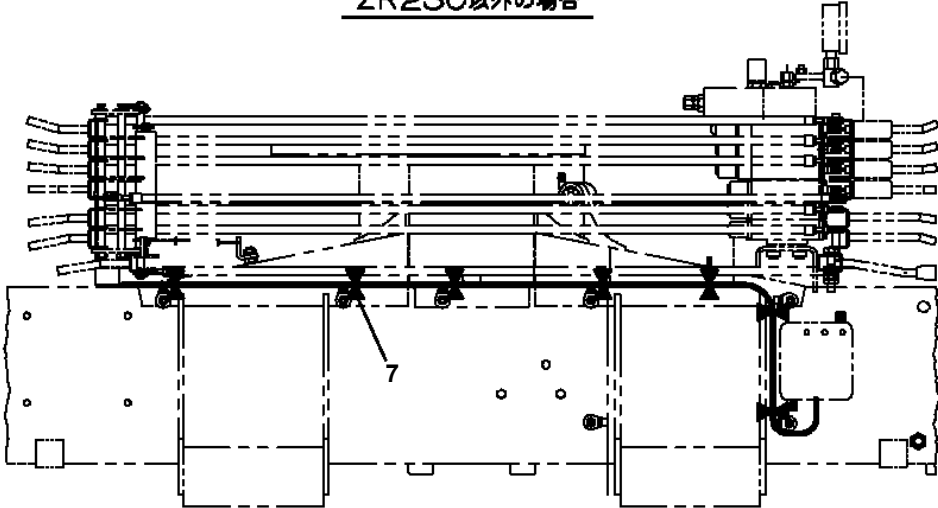
TM-ZR300 31014010630A FRAME/STD,REMOTE-RADIO CONT.,S-HOOK-IN  
 PN1013981-01 ELEC.ASSY



ZR230の場合



ZR230以外の場合



# TM-ZR300 31014010630A FRAME/STD,REMOTE-RADIO CONT.,S-HOOK-IN

Pos No.	Parts No	Parts Name	Qty	Unit	Technical Data	Serial No (Start)	Serial No (End)
1	31500623100	HARNESS	1				
3	31654031200	COVER	1				
4	31500500400	PLATE,NAME	1				
5	90186206010	BOLT,FLANGE	8		M6X10		
6	31500523600	COVER	1				
7	91810130240	FASTENER	32				
8	91850310405	CLAMP (BLACK)	4				
9	31500623400	SUPPORT	1				
10	31500623500	COVER	1				
11	90186208020	BOLT,FLANGE	3		M8X20		
12	90280200800	NUT,FLANGE	2		M8		
13	82100002596	RELAY	2				
14	90280200600	NUT,FLANGE	3		M6		
15	31476361200	HARNESS (WHITE)	1		L=2000		
16	82100000192	TERMINAL	1				
17	82100000182	INSULATOR	1				
18	82108501090	SWITCH	2				
19	31360204310	SUPPORT	2				
20	90101206008	BOLT	4		M6X8		
21	90302040601	WASHER,SPRING	4		6		
22	91850310305	CLAMP	9				
23	82108501070	SWITCH	1				
24	31477332101	SUPPORT	1				
25	90186208014	BOLT,FLANGE	2		M8X14		
26	31652160100	HARNESS	1		L=1400		
29	31500623900	HARNESS	1				
41	31500623300	SUPPORT	1				
42	82197600103	CAP (RED)	1				
43	42950544200	SWITCH ASSY (SILVER:PANASONIC)	1				
	31500623800	SWITCH ASSY (PLANTING:NACC)	1				
44	31651762400	COVER	1				
45	80192486010	SCREW,MACHINE	1		M6X10		

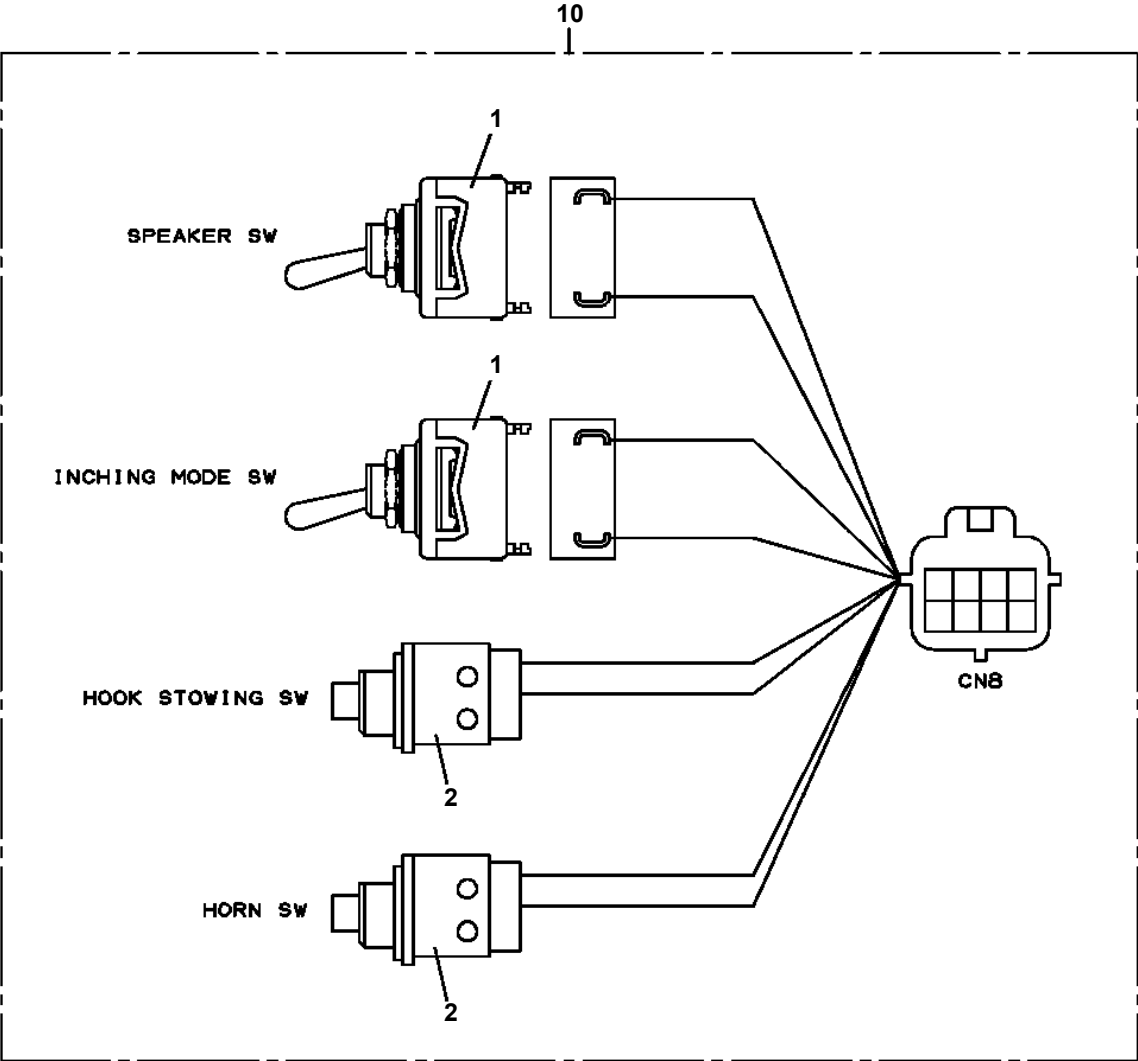
# TM-ZR300 31014010630A FRAME/STD,REMOTE-RADIO CONT.,S-HOOK-IN

Pos No.	Parts No	Parts Name	Qty	Unit	Technical Data	Serial No (Start)	Serial No (End)	Remark
1	31476362102	ALARM ASSY (ASSY ONLY)	1				KB2389	
	31476362103	ALARM ASSY (ASSY ONLY)	1			KB2390	KC8756	
	31476362104	ALARM ASSY (ASSY ONLY)	1			KC8757		
2	31475352100	PLATE,NAME	1					
3	31476362200	HARNESS (WHITE)	1		L=6000			
	31477472200	RELAY ASSY	1			KC8757		
4	31380174000	LAMP ASSY (ASSY ONLY)	1					
5	82100000191	TERMINAL	2					
6	82100000183	INSULATOR	2					
7	91810130240	FASTENER	10					
8	82115001002	CONNECTOR	4					
9	82100001400	TERMINAL	5					
10	31475982100	PLATE,CAUTION	1				ES8335	
	31476362700	PLATE,CAUTION	1			ES8336		
11	31380292600	SUPPORT	1					
12	80172305020	SCREW,MACHINE	2		M5X20			
13	90302040501	WASHER,SPRING	2		5			
14	90303070501	WASHER,PLAIN	2		5			
15	31477472100	HARNESS (RED)	2		L=1000		KC8756	
	31477472300	HARNESS	2		L=1000	KC8757		
16	82100001220	INSULATOR	5					
17	31476362300	RELAY ASSY	1				KC8756	
	31504322200	RELAY ASSY	1			KC8757		
18	31475982400	DIODE ASSY	1					
19	82100000192	TERMINAL	1					
20	82100000182	INSULATOR	1					
21	90928040101	SCREW,TAPPING	3		M4X10			
23	82115001005	CONNECTOR	7					

TM-ZR300 31014010630A FRAME/STD,REMOTE-RADIO CONT.,S-HOOK-IN  
PN1080230-01 LAMP (MOUNT,BOOM/24V-45W)

指示番号 KEY NO.	ランプ (フームトリック/24V-45W:フックイン,ラジコン) LAMP (MOUNT,BOOM/24V-45W:HOOK-IN,RADIO CONTROL)
1	ハイセンASSY (ロー) ELEC.ASSY (LOWER)
2	ハイセンASSY (アツハ) ELEC.ASSY (UPPER)

**TM-ZR300 31014010630A FRAME/STD,REMOTE-RADIO CONT.,S-HOOK-IN  
PN1140225-00 SWITCH ASSY (GREEN:PANASONIC)**



# TM-ZR300 31014010630A FRAME/STD,REMOTE-RADIO CONT.,S-HOOK-IN

Pos No.	Parts No	Parts Name	Qty	Unit	Technical Data	Serial No (Start)	Serial No (End)	Remarks	Pages
1	31370255010	PLATE	1						
2	31370255020	CASE	1						
9	31370255080	BRUSH	1						
10	31370255090	PLATE	1						
11	80175104012	SCREW,MACHINE	2		M4X12				
12	90240200400	NUT,CAP	2		M4				
13	90303100401	WASHER,PLAIN	2		4				
14	90302040401	WASHER,SPRING	2		4				
15	31370255100	RING,SLIP	1						
16	82100000080	CORD (1-LINE)	14	M					
17	31370255110	WASHER	2						
18	90102205008	BOLT	2		M5X8				
19	31370255120	GROMMET	1						
24	90102205012	BOLT	4		M5X12				
25	90201200500	NUT	4		M5				
26	90303100501	WASHER,PLAIN	8		5				
27	82100000192	TERMINAL	1						
28	82100000182	INSULATOR	1						
30	82100000191	TERMINAL	1						
31	82100000183	INSULATOR	1						
41	36160265010	SPRING ASSY	1						
500	36160670000	REEL,CORD	1						

# TM-ZR300 31014010630A FRAME/STD,REMOTE-RADIO CONT.,S-HOOK-IN

Pos No.	Parts No	Parts Name	Qty	Unit	Technical Data	Serial No (Start)	Serial No (End)	Remarks	Pages
1	37002246230	PLATE,NAME	2						

**TM-ZR300 31014010630A FRAME/STD,REMOTE-RADIO CONT.,S-HOOK-IN**

Pos No.	Parts No	Parts Name	Qty	Unit	Technical Data	Serial No (Start)	Serial No (End)	Remarks	Pa
1	37002220770	PLATE,NAME	1						
2	37002220780	PLATE,NAME	1						
3	37002220790	PLATE,NAME	1						
4	37002220800	PLATE,NAME	1						
5	31394490500	PLATE,CAUTION	4						
6	31393180100	REFLECTOR (RED)	2						
7	31611300500	PLATE,NAME (WHITE)	4						
8	31395220250	PLATE,CAUTION	2						
9	37002220430	PLATE,CAUTION	2						
10	31394500100	PLATE,CAUTION	1						
11	31394500200	PLATE,CAUTION	1						

# TM-ZR300 31014010630A FRAME/STD,REMOTE-RADIO CONT.,S-HOOK-IN

Pos No.	Parts No	Parts Name	Qty	Unit	Technical Data	Serial No (Start)	Serial No (End)	Remarks	P
1	31360746100	PLATE,CAUTION (BML)	1						
2	31360746200	PLATE,NAME (E.Y.E.S.)	2						

# TM-ZR300 31014010630A FRAME/STD,REMOTE-RADIO CONT.,S-HOOK-IN

Pos No.	Parts No	Parts Name	Qty	Unit	Technical Data	Serial No (Start)	Serial No (End)	Remarks	Pages
1	31394270230	PLATE,CAUTION	2						
2	31393180100	REFLECTOR (RED)	2						
3	31395220250	PLATE,CAUTION	2						
4	37002220430	PLATE,CAUTION	2						

# TM-ZR300 31014010630A FRAME/STD,REMOTE-RADIO CONT.,S-HOOK-IN

Pos No.	Parts No	Parts Name	Qty	Unit	Technical Data	Serial No (Start)	Serial No (End)	Re
1	37002220460	PLATE,NAME	1					
2	37002220470	PLATE,NAME	1					
3	37002220480	PLATE,NAME	1					
4	37002220490	PLATE,NAME	2					
5	37002220500	PLATE,NAME	1					
6	37002220510	PLATE,NAME	1					
7	37002220520	PLATE,NAME	1					
8	37002220530	PLATE,NAME	1					
9	37002220540	PLATE,NAME	1					
10	37002220550	PLATE,NAME	1					
11	37002220560	PLATE,NAME	1					
12	37002220570	PLATE,NAME	1					
13	37002220580	PLATE,NAME	1					
16	31395220230	PLATE,CAUTION	2					
17	37002220420	PLATE,CAUTION	1					
18	37002220410	PLATE,CAUTION	1					
19	37002220440	PLATE,CAUTION	1					
20	31394270230	PLATE,CAUTION	2					
21	31395220250	PLATE,CAUTION	2					
22	37002220430	PLATE,CAUTION	2					
23	37002206490	PLATE,NAME (GREASE)	5					
24	37002220450	PLATE,NAME	1					
25	37002200320	PLATE,NAME	1					
26	37002213190	PLATE,NAME (LEVEL,ISO VG46)	1					
27	37002224400	PLATE,NAME	1					
28	37002224440	PLATE,NAME	1					

# TM-ZR300 31014010630A FRAME/STD,REMOTE-RADIO CONT.,S-HOOK-IN

Pos No.	Parts No	Parts Name	Qty	Unit	Technical Data	Serial No (Start)	Serial No (End)	Remarks	P
1	31500512100	PLATE,CAUTION (AWL)	1						
3	31361473100	PLATE,NAME	2						

# TM-ZR300 31014010630A FRAME/STD,REMOTE-RADIO CONT.,S-HOOK-IN

Pos No.	Parts No	Parts Name	Qty	Unit	Technical Data	Serial No (Start)	Serial No (End)	Remarks
1	31361841100	PLATE,CAUTION (FOR AWL)	1					
2	31361841200	PLATE,CAUTION (FOR BML)	1					

# TM-ZR300 31014010630A FRAME/STD,REMOTE-RADIO CONT.,S-HOOK-IN

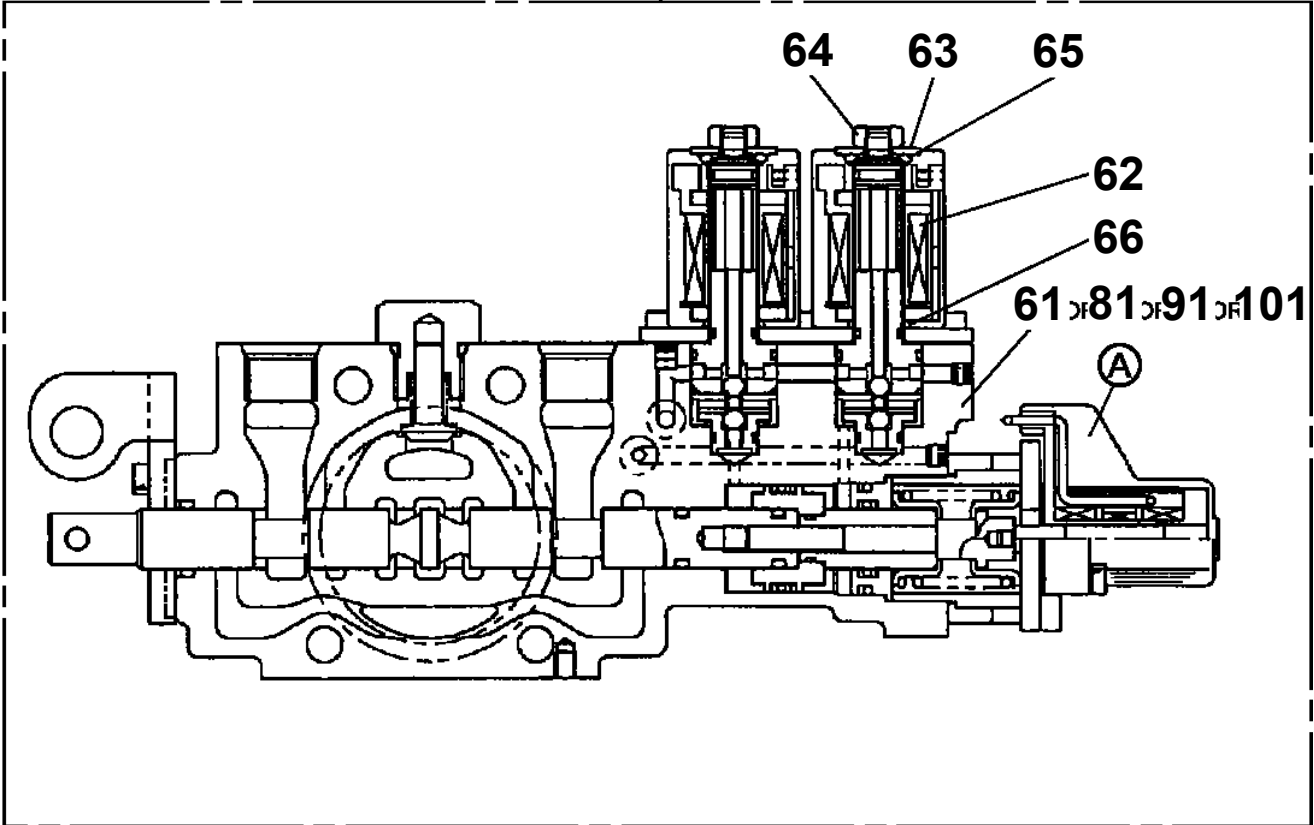
Pos No.	Parts No	Parts Name	Qty	Unit	Technical Data	Serial No (Start)	Serial No (End)	Remarks	Pa
1	(*****)	ELEC.ASSY (POST)	1						000
2	(*****)	ELEC.ASSY (FRAME)	1						000
3	36806243000	SWITCH BOX	1						000

**TM-ZR300 31014010630A FRAME/STD,REMOTE-RADIO CONT.,S-HOOK-IN**

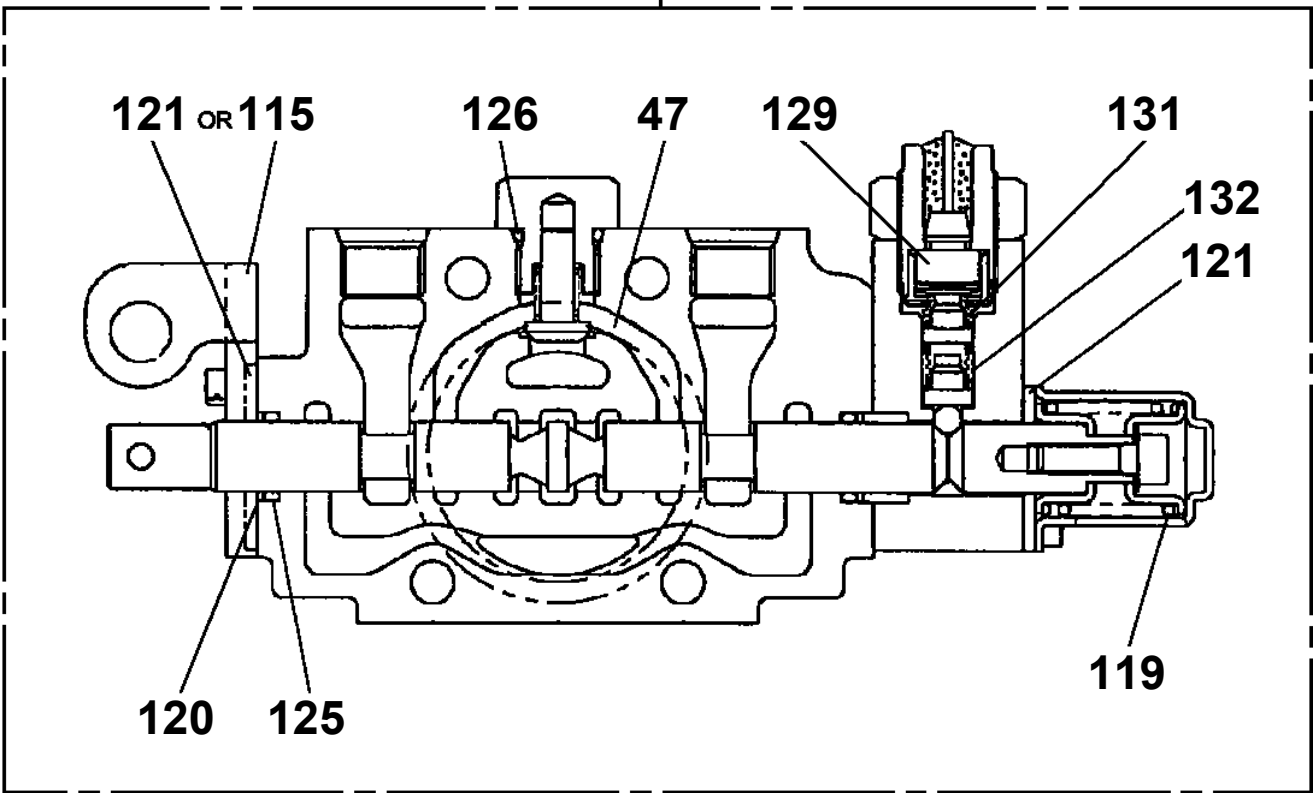
Pos No.	Parts No	Parts Name	Qty	Unit	Technical Data	Serial No (Start)	Serial No (End)	Remarks
5	82182819823	DIODE	1		1.5A			
9	34354781710	RELAY (WITH BRACKET)	1					
100	34354781720	RELAY (WITH HARNESS)	1					

TM-ZR300 31014010630A FRAME/STD,REMOTE-RADIO CONT.,S-HOOK-IN  
PV1020230-03 VALVE,REMOTE CONTROL (NACHI)

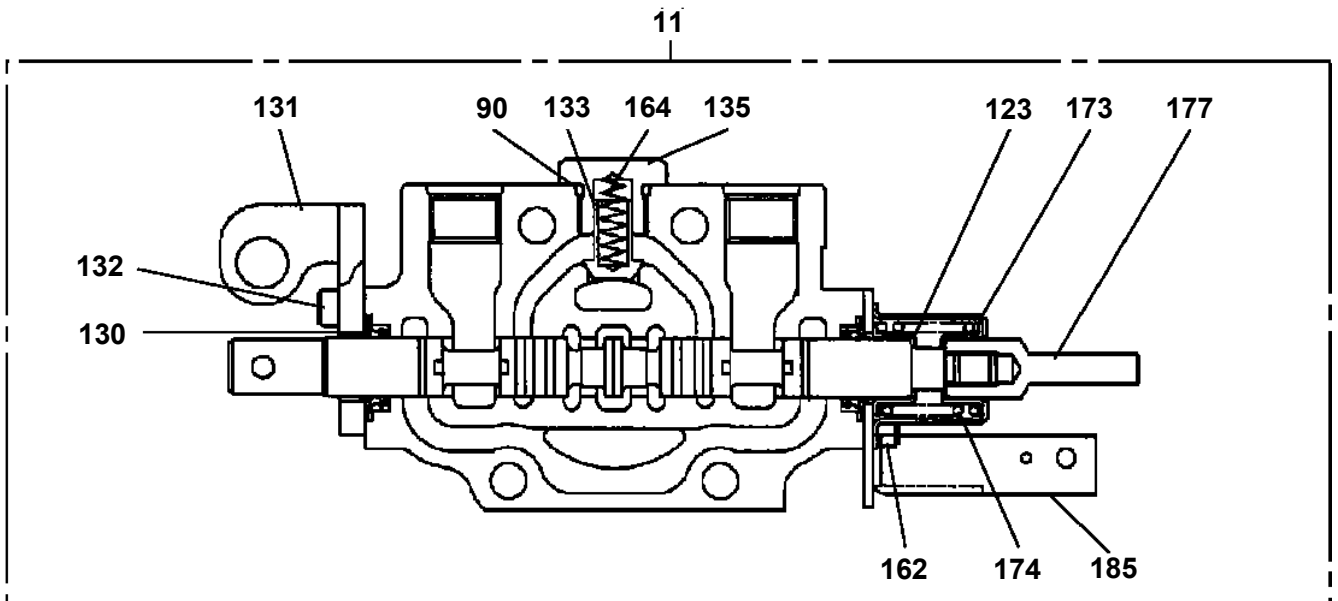
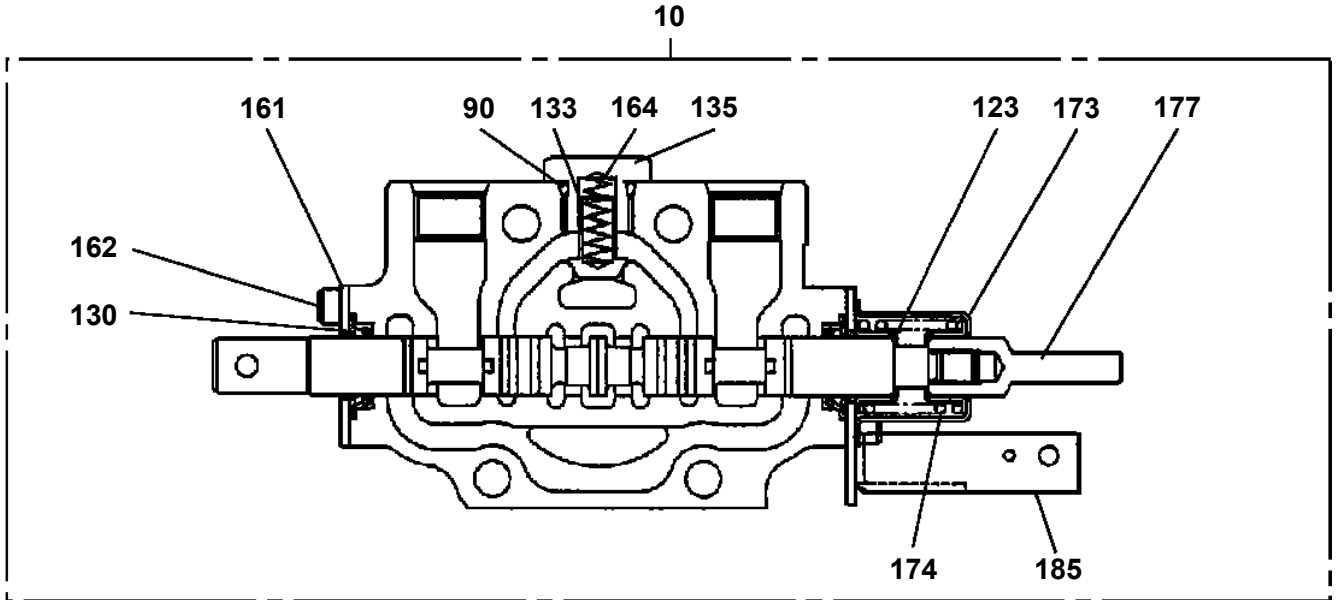
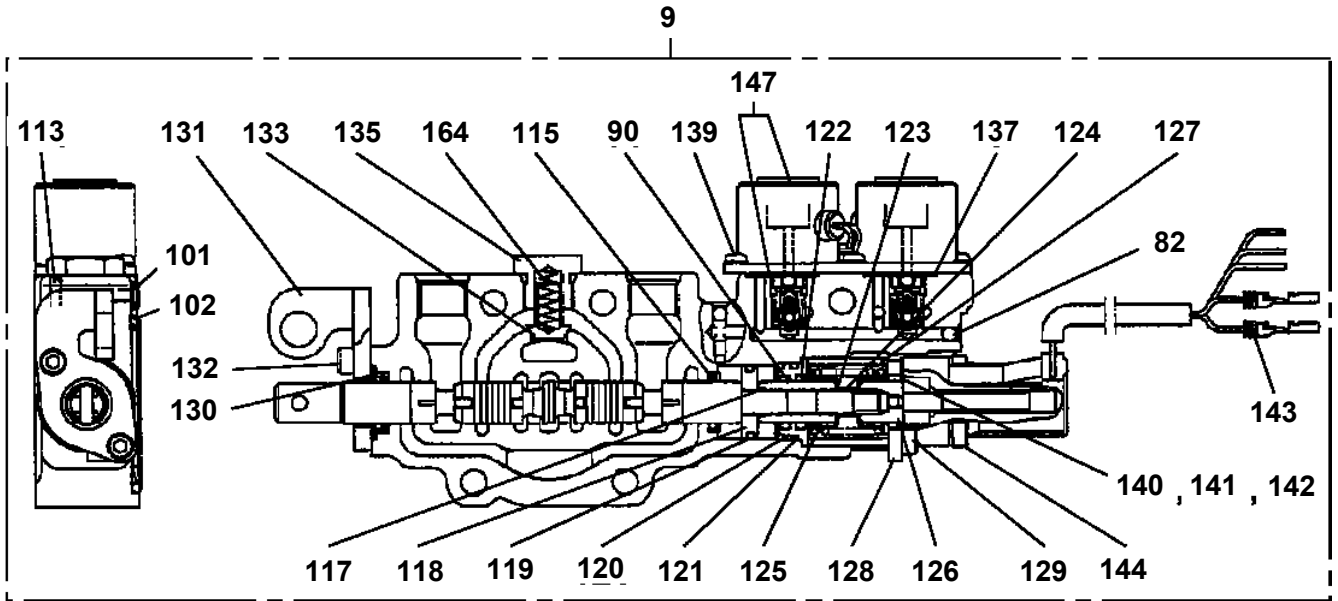
2345



67



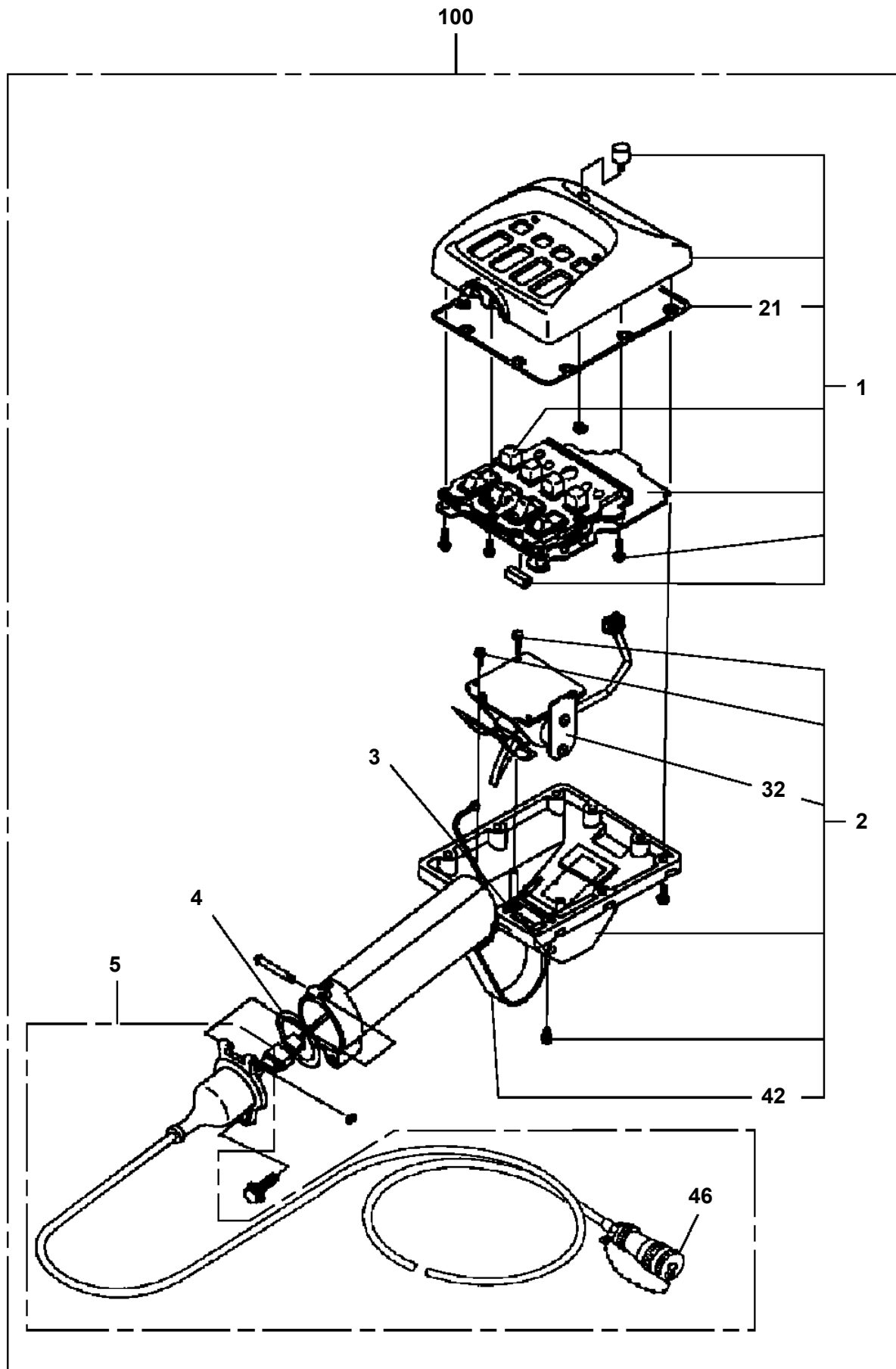
**TM-ZR300 31014010630A FRAME/STD,REMOTE-RADIO CONT.,S-HOOK-IN  
PV1020351-00 VALVE,REMOTE CONTROL**



**TM-ZR300 31014010630A FRAME/STD,REMOTE-RADIO CONT.,S-HOOK-IN**

Pos No.	Parts No	Parts Name	Qty	Unit	Technical Data	Serial No (Start)	Serial No (E
1	36802015010	CASE KIT	1				
2	36800565070	CASE KIT (LOWER)	1				
3	36800555080	LABEL (SEAL)	1				
4	36800095041	BELT ASSY	1				
5	36800565100	COVER (BATTERY)	1				
6	36800095030	CASE (BATTERY)	1				
22	36800095060	CASE (RING)	1				
23	36801995040	ANTENNA (FLEXIBLE)	1				
24	36800565150	PLATE,NAME	1				
25	36800565130	RUBBER	1				
42	36800565080	CASE ASSY	1				
52	36800295110	GUARD	1				
53	36801995080	GRIP	1				
100	36802012000	SWITCH BOX (RADIO CONTROL,TYPE-E)	1				

TM-ZR300 31014010630A FRAME/STD,REMOTE-RADIO CONT.,S-HOOK-IN  
PV1030090-00 SWITCH BOX



# TM-ZR300 31014010630A FRAME/STD,REMOTE-RADIO CONT.,S-HOOK-IN

Pos No.	Parts No	Parts Name	Qty	Unit	Technical Data	Serial No (Start)	Serial
1	36803405010	BOARD ASSY	1				
2	36802975170	CASING	1				
3	36802975030	COVER	2				
4	36802975040	PANEL	1				
5	36802975050	SCREEN	1				
6	36802975060	GASKET	1				
7	36802975070	GASKET	1				
8	36802975080	GASKET	1				
9	36802975090	PLATE (RADIATOR)	1				
10	36802975100	CONNECTOR ASSY (WITH HARNESS)	1				
11	36802975110	CONNECTOR ASSY (WITH HARNESS)	1				
12	36800175030	CAP	1				
13	36802975120	DRIER,AIR	1				
18	36802975180	CONNECTOR ASSY	2				
19	36802975190	PLUG	2				
20	36802985010	RECEIVER (DATA)	1				
21	36802975160	BRACKET	1				
31	36802975200	FUSE	1				
50	36803401000	CONTROL BOX (REMOCON.RADICON,D-TYPE)	1				

**TM-ZR300 31014010630A FRAME/STD,REMOTE-RADIO CONT.,S-HOOK-IN**

Pos No.	Parts No	Parts Name	Qty	Unit	Technical Data	Serial No (Start)	Serial No (End)
1	36803575011	BOARD ASSY	1				
2	36802975171	CASING	1				
3	36802975031	COVER	2				
4	36802975041	PANEL	1				
5	36802975051	SCREEN	1				
6	36802975061	GASKET	1				
7	36802975071	GASKET	1				
8	36802975081	GASKET	1				
9	36802975091	PLATE (RADIATOR)	1				
10	36802975101	CONNECTOR ASSY (WITH HARNESS)	1				
11	36802975111	CONNECTOR ASSY (WITH HARNESS)	1				
12	36800175031	CAP	1				
13	36802975121	DRIER,AIR	1				
18	36802975181	CONNECTOR ASSY	2				
19	36802975191	PLUG	2				
20	36802985011	RECEIVER (DATA)	1				
21	36802975161	BRACKET	1				
31	36802975201	FUSE	1				
100	36803572001	CONTROL UNIT	1				

TM-ZR300 31014010630A FRAME/STD,REMOTE-RADIO CONT.,S-HOOK-IN  
 PV1070014-02 RADIO CONTROL

指示番号 KEY NO.	ラジオコントロール (トクシヨウカクタ) RADIO CONTROL
2	ボックス, ストローイング BOX, STOWING
3	マウント, アンテナ MOUNT, ANTENNA
4	プレート, ネーム (ソウシンキ メイハン) PLATE, NAME
5	プレート, ネーム (チユウキ/ソウシンキトリアツカイ) PLATE, NAME
6	チャージャー, バッテリー CHARGER, BATTERY
7	ハイセンASSY (BMLコハンテイタイサク) ELEC. ASSY (BML)
11	コントロール ユニット CONTROL UNIT
12	アンテナ ANTENNA
13	スイッチ ボックス SWITCH BOX

**TM-ZR300 31014010630A FRAME/STD,REMOTE-RADIO CONT.,S-HOOK-IN  
PV1070233-00 RADIO CONTROL (KIT:LED)**

1	コントロール ユニット CONTROL UNIT
2	アンテナ ANTENNA
3	スイッチ ホック SWITCH BOX
4	ハイセンASSY ELEC.ASSY
5	ホック, ストローイング BOX, STOWING

**TM-ZR300 31014010630A FRAME/STD,REMOTE-RADIO CONT.,S-HOOK-IN  
PV1070361-00 RADIO CONTROL (FOR TAIWAN)**

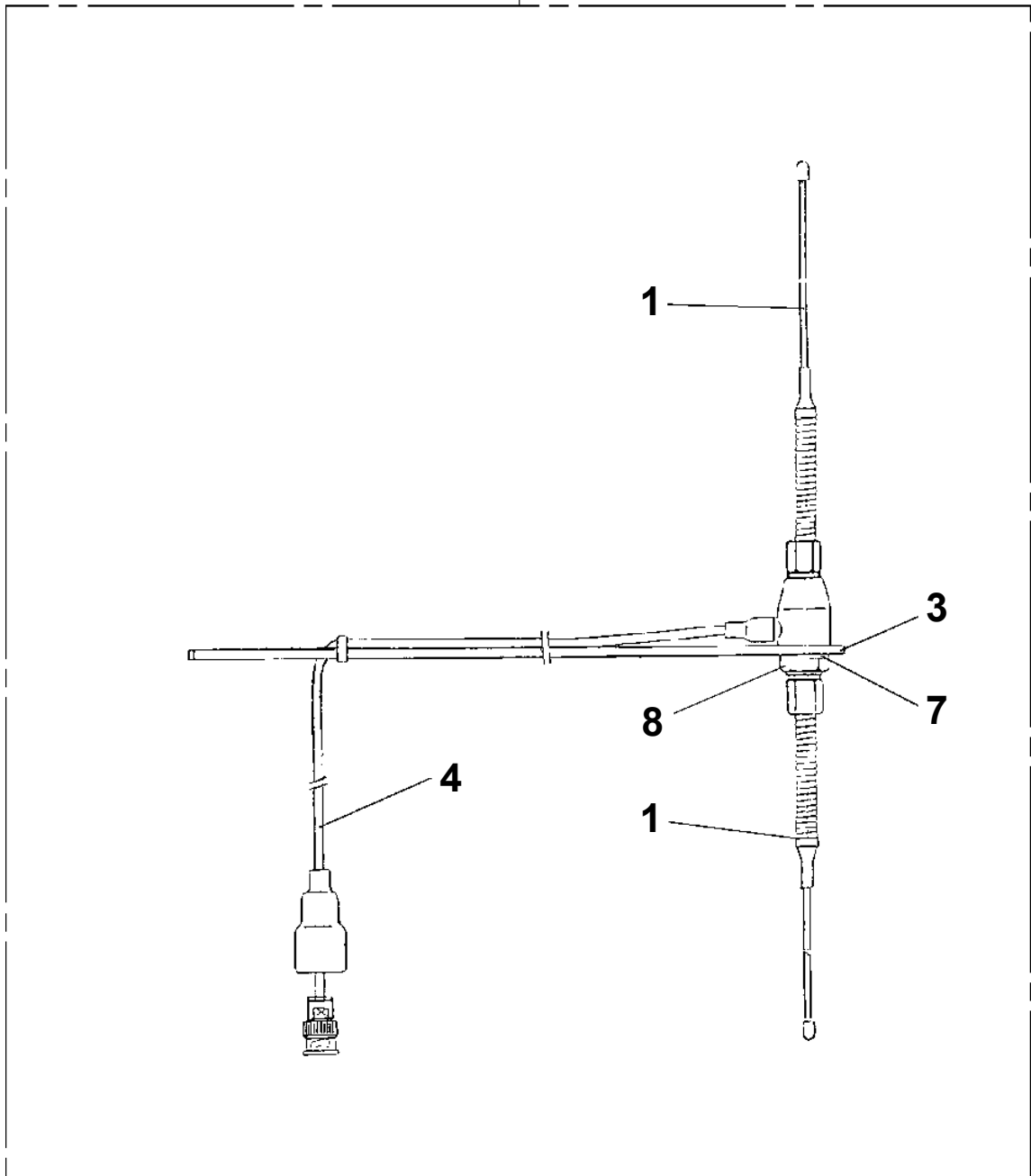
指示番号 KEY NO.	ラジオコントロール (タイワン向け) RADIO CONTROL (FOR TAIWAN)
2	ホックボックス, ストローイング BOX, STOWING
3	ハイセンASSY ELEC. ASSY
11	コントロールユニット CONTROL UNIT
12	スイッチボックス SWITCH BOX

**TM-ZR300 31014010630A FRAME/STD,REMOTE-RADIO CONT.,S-HOOK-IN  
PV1090041-00 PARTS,AWL(5,6SECT./RADICON OR M,HOOK-IN)**

指示番号 KEY NO.	パーツ,AWL (5,6セクション/ラジコンORマニュアルフックイン:ニオイ) PARTS,AWL (5,6 SECT./RADICON OR M,HOOK-IN)
1	ハイセンASSY (アツハ) - ELEC. ASSY (UPPER)
2	マウント MOUNT
3	プレートASSY,ネーム (アツハ) - PLATE ASSY,NAME (UPPER)
4	ディテクタ,ブーム レンクス DETECTOR,BOOM LENGTH
6	モーメント リミッタ MOMENT LIMITER
8	ハイセンASSY (ヨビ ディング) ャウハーネス ELEC. ASSY (HARNESS FOR STANDBY POWER)

TM-ZR300 31014010630A FRAME/STD,REMOTE-RADIO CONT.,S-HOOK-IN  
PV1400014-02 ANTENNA (FOR RADIO CONTROL)

10



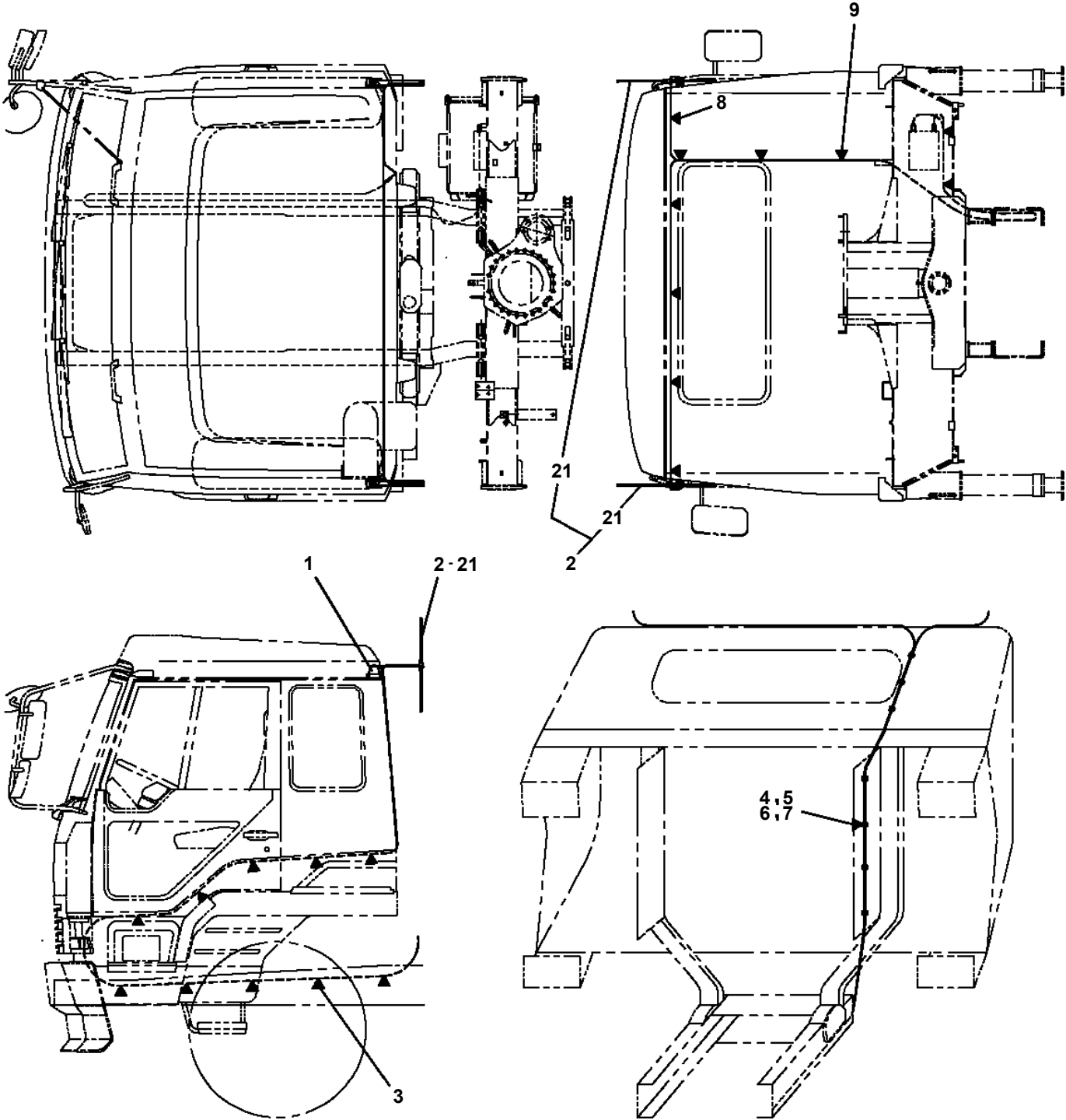
TM-ZR300 31014010630A FRAME/STD,REMOTE-RADIO CONT.,S-HOOK-IN  
PV1400032-01 ANTENNA (RADIO CONTROL/SELECTION DATA)

Select the antenna according to the vehicle to be mounted on.  
(架装する車により、下表からアンテナを選定して下さい。)

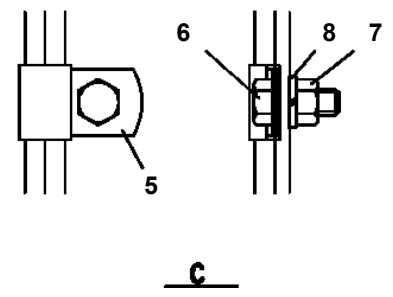
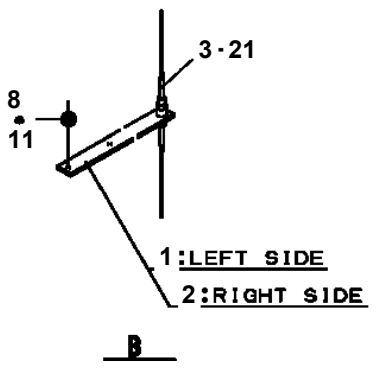
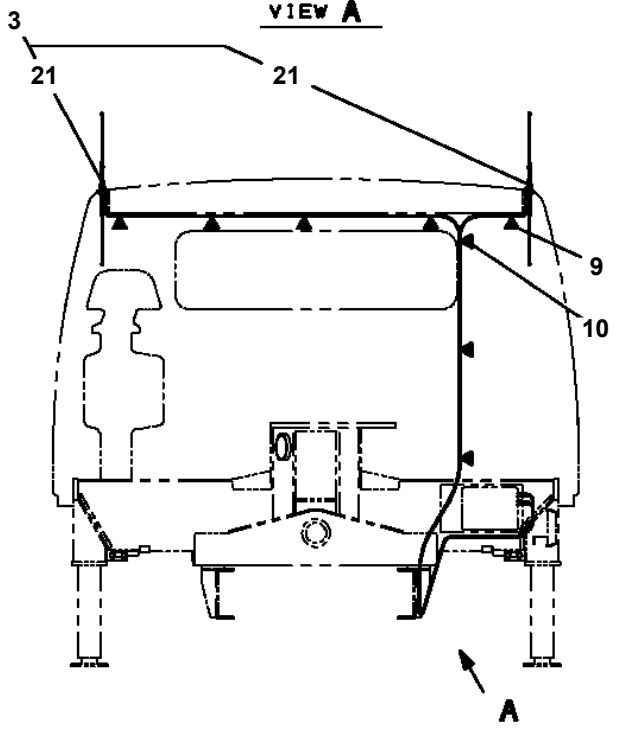
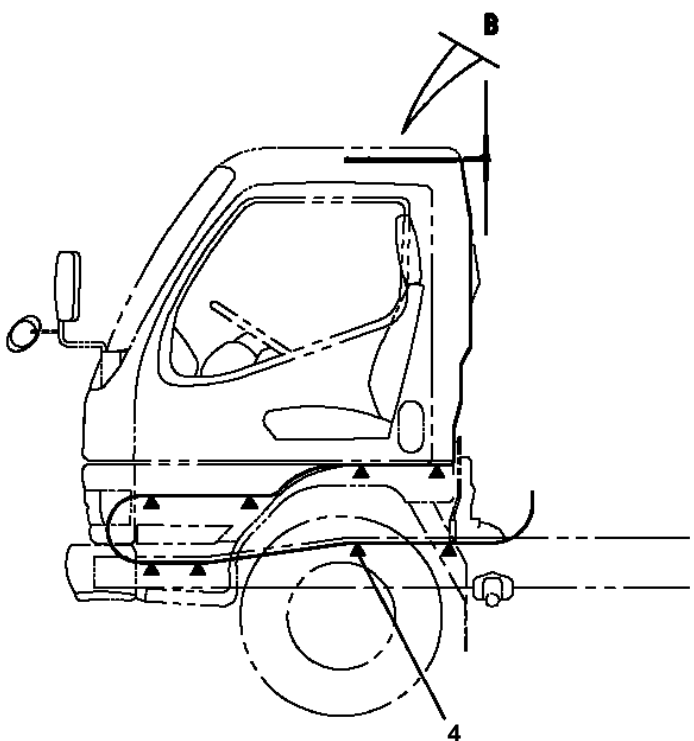
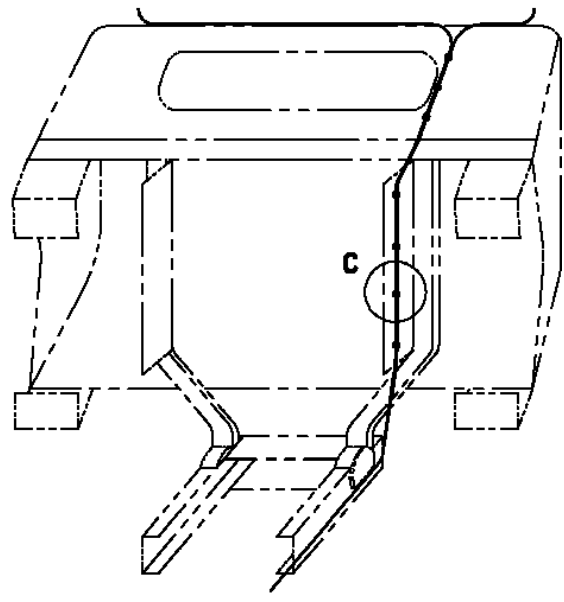
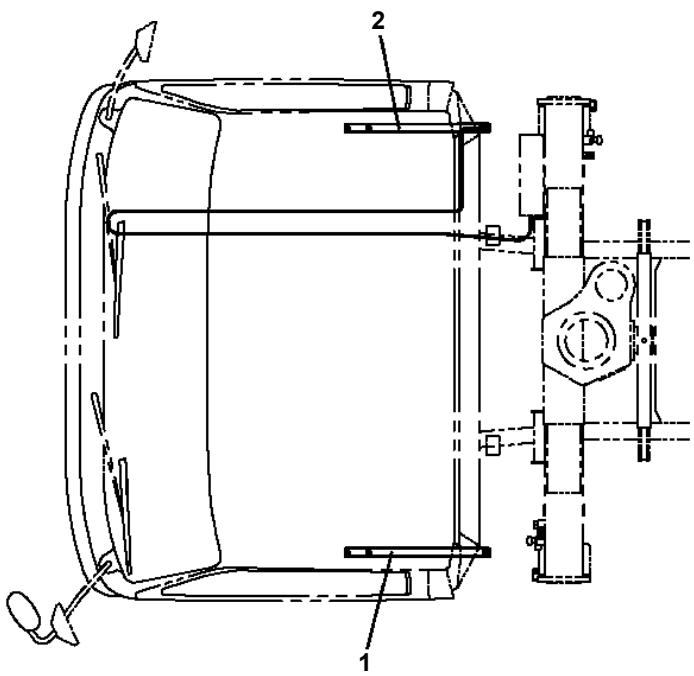
Antenna selection  
(アンテナ選定表)

Vehicle to be mounted on (架装車)	
Large-size cab (大型車架装)	1 MITSUBISHI KC-FU,FV,FS,FY,FP5**
	2 MITSUBISHI U-FM6**,KC-FM6**
	3 Others (上記以外の車種)
Middle-size cab (中型車架装)	4 HINO KC-FC
	5 HINO KK-FD,FC
	6 MITSUBISHI U-FK61*,FL61**
	7 MITSUBISHI KC-FH,FK7
	8 MITSUBISHI KC-FK6,FL6
	9 ISUZU SKW***
	10 Others (上記以外の車種)
Day cab (小型車架装)	11 MITSUBISHI KC-FE5**,FE6**
	12 MITSUBISHI KK-FE7**
	13 MITSUBISHI U-FE5**,FE6**
	14 TOYOTA KK-XZU3*,BU3* (STD CAB)
	15 TOYOTA KK-XZU3*,BU4* (WIDE CAB)
	16 Others (上記以外の車種)
	17 Others (上記以外の車種) (ZF100,200 ZR100,200)

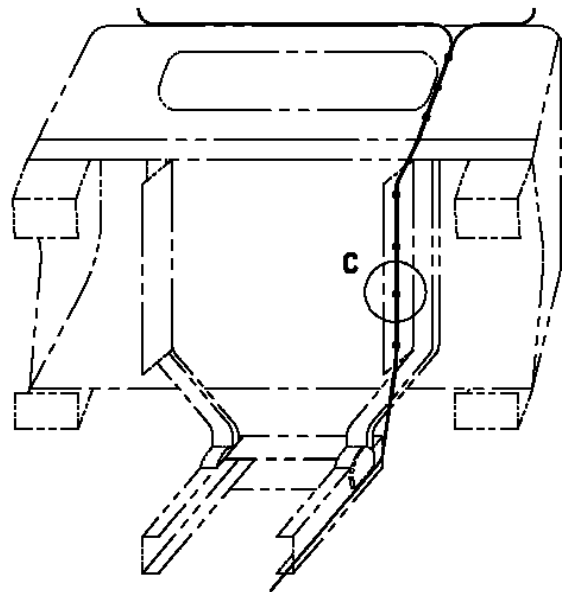
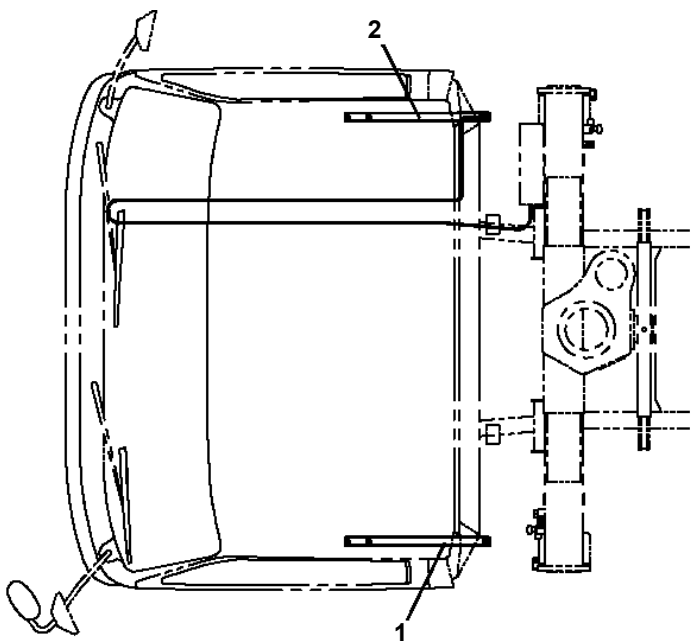
TM-ZR300 31014010630A FRAME/STD,REMOTE-RADIO CONT.,S-HOOK-IN  
PV1410002-01 MOUNT,ANTENNA (RADIO CONTROL)



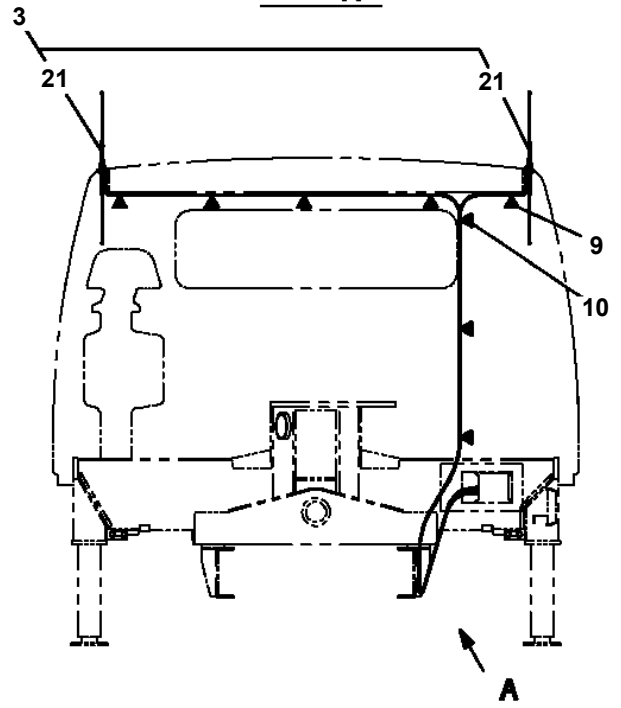
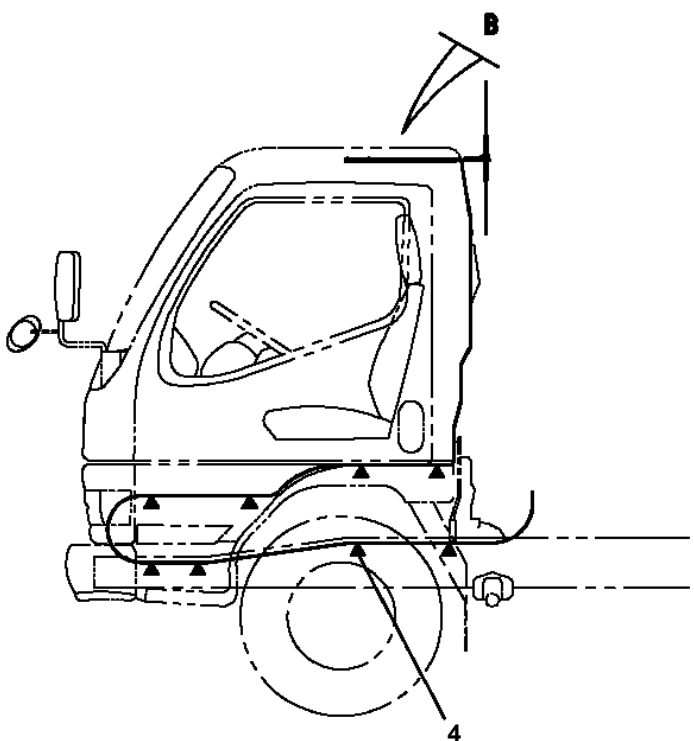
**TM-ZR300 31014010630A FRAME/STD,REMOTE-RADIO CONT.,S-HOOK-IN  
PV1410007-01 MOUNT,ANTENNA (RADIO CONTROL,D.E-TYPE)**



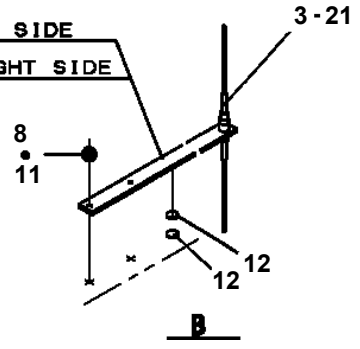
**TM-ZR300 31014010630A FRAME/STD,REMOTE-RADIO CONT.,S-HOOK-IN  
PV1410013-01 MOUNT,ANTENNA (RADIO CONTROL,D.E-TYPE)**



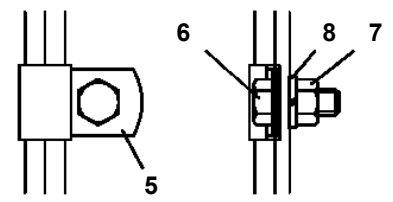
**VIEW A**



**1: LEFT SIDE**  
**2: RIGHT SIDE**

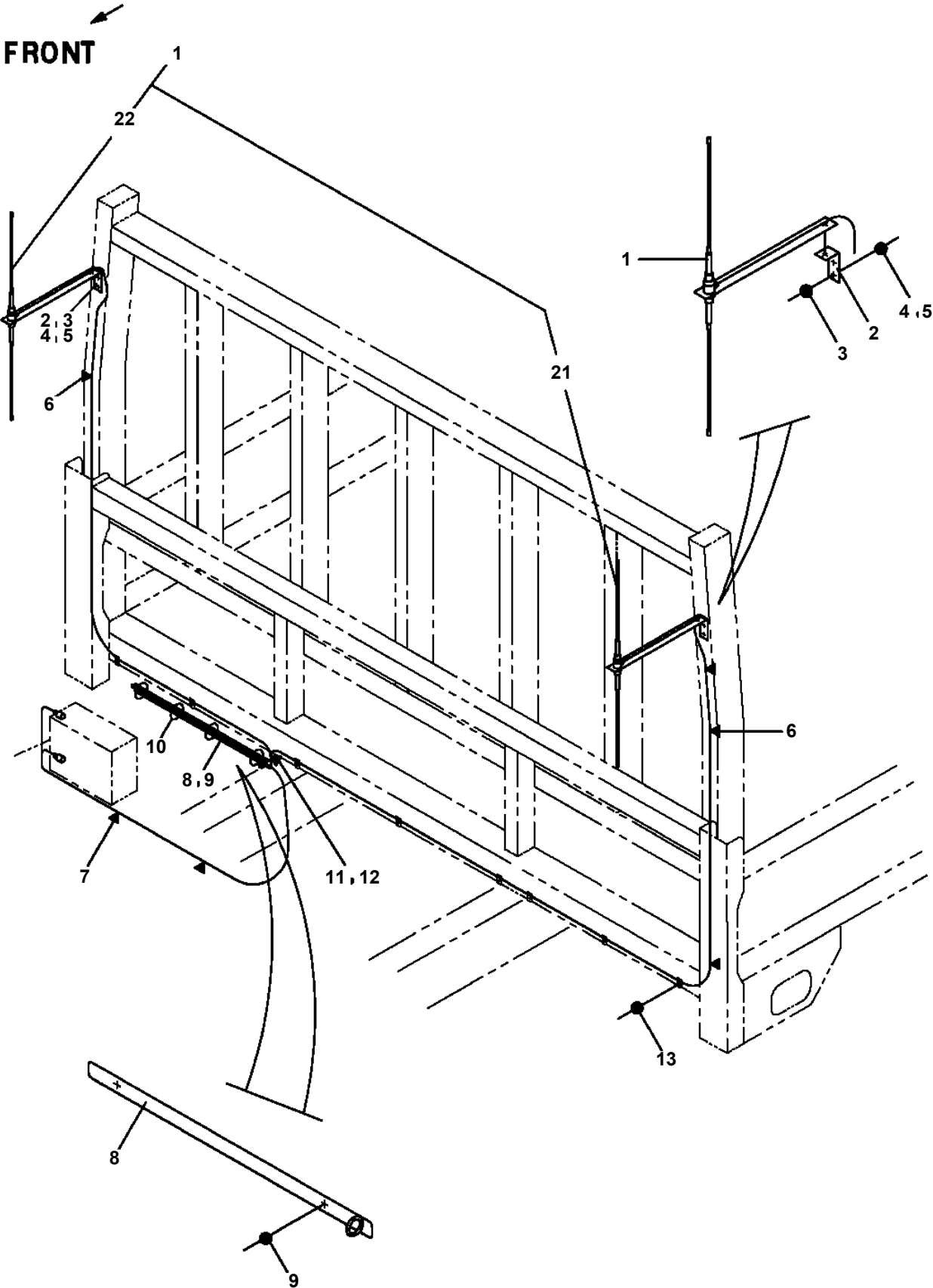


**B**

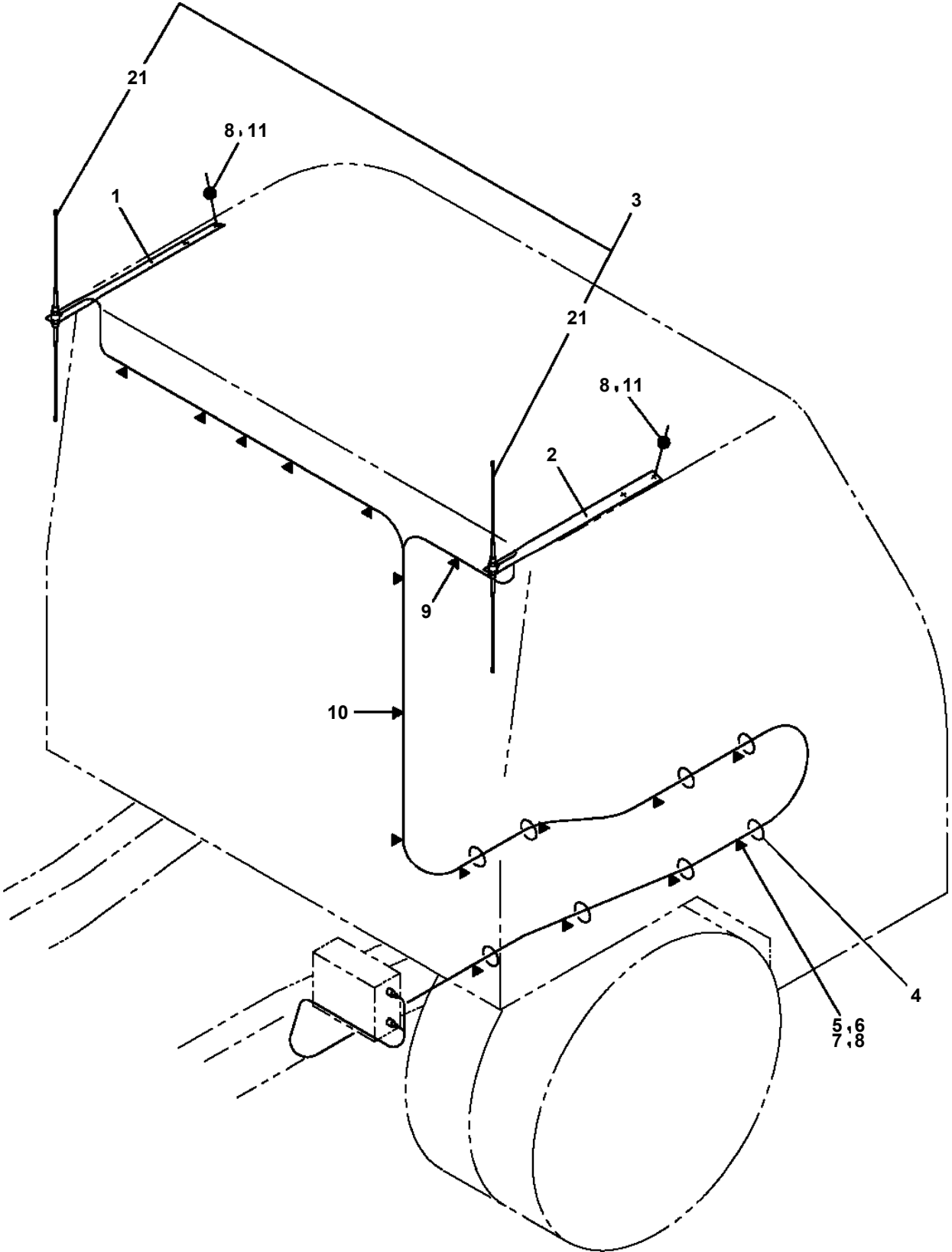


**C**

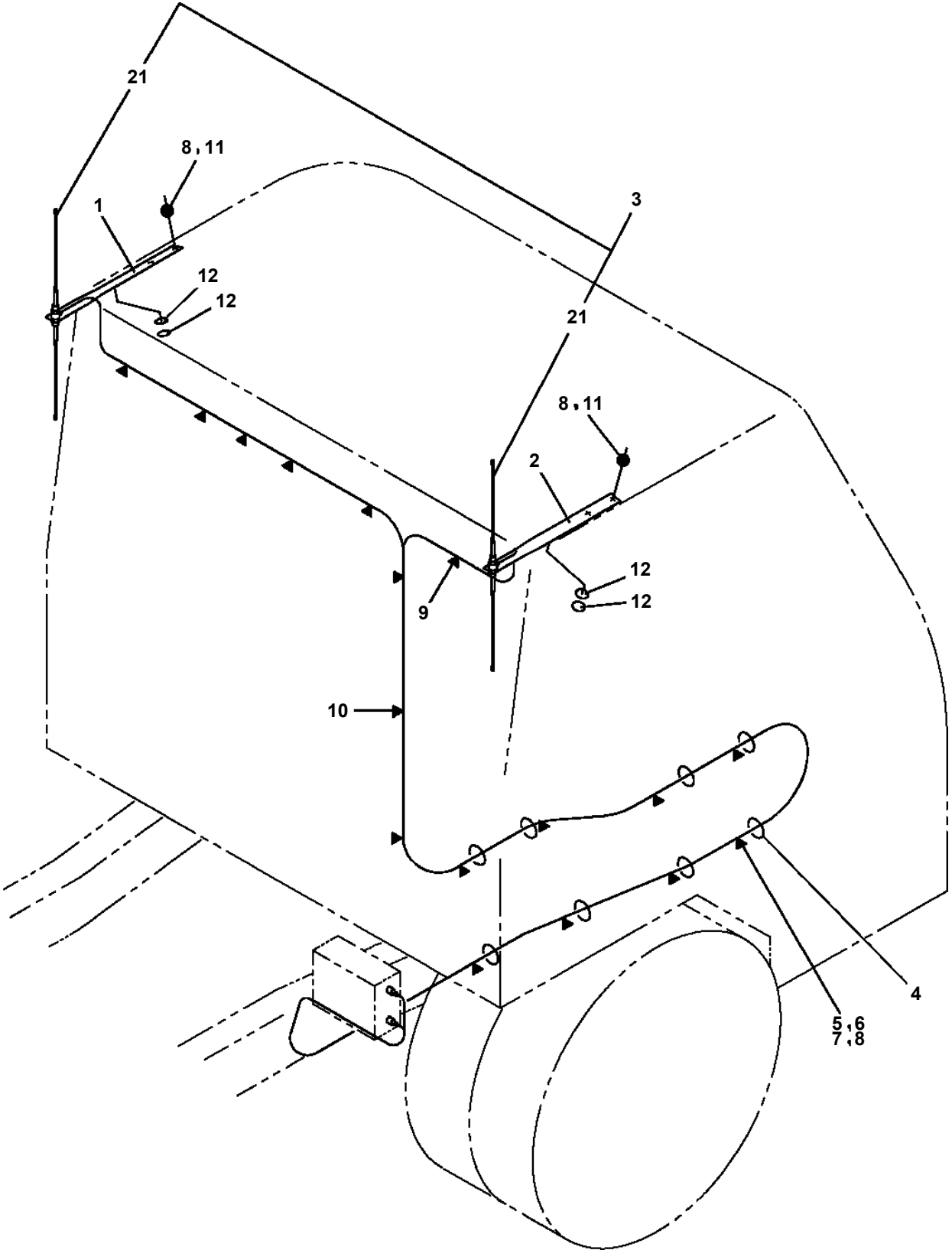
TM-ZR300 31014010630A FRAME/STD,REMOTE-RADIO CONT.,S-HOOK-IN  
PV1410023-00 MOUNT,ANTENNA(FREQUENCY A.B/MOUNT,GUARD)



TM-ZR300 31014010630A FRAME/STD,REMOTE-RADIO CONT.,S-HOOK-IN  
PV1410028-00 MOUNT,ANTENNA (FREQUENCY A.B)

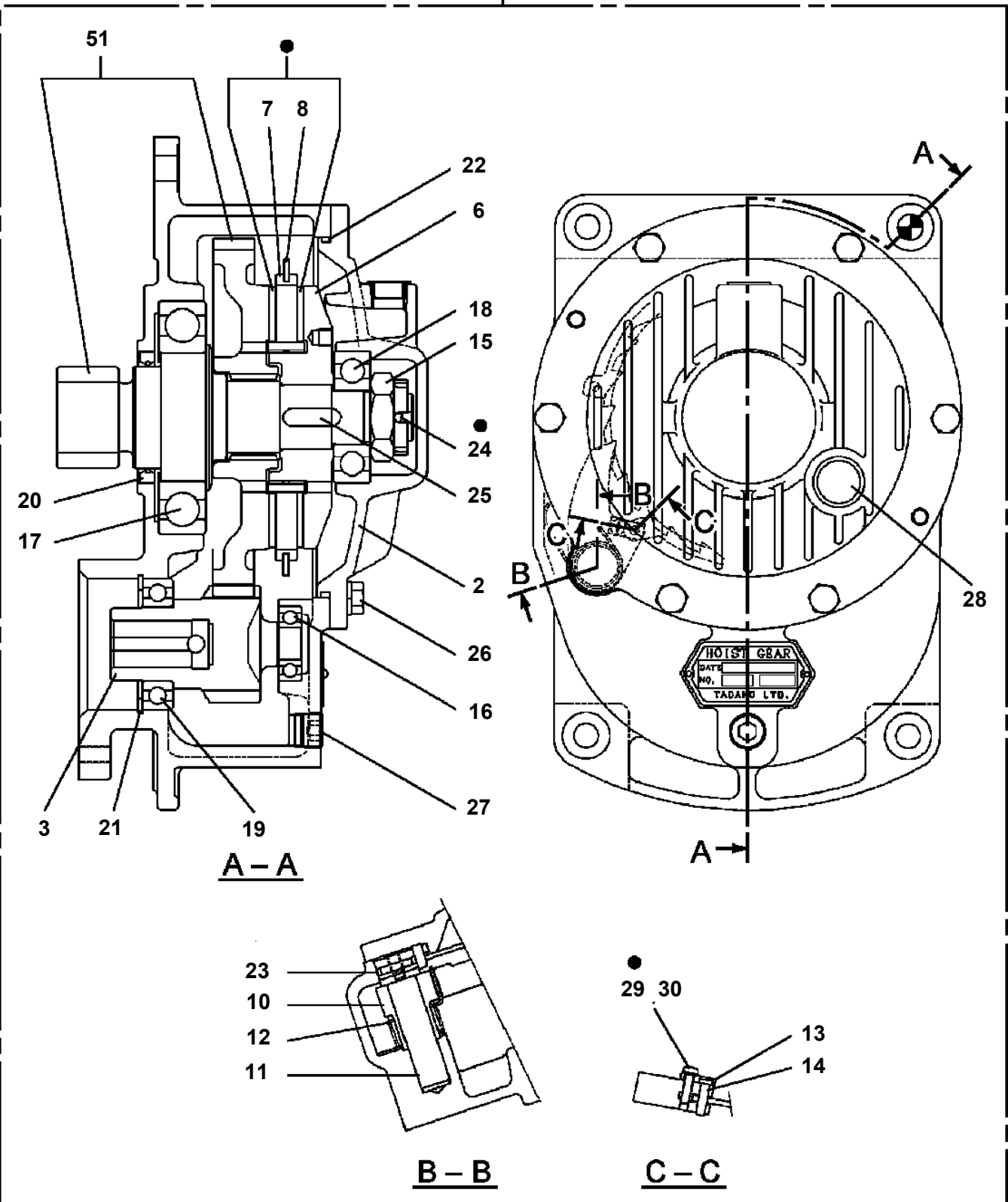


TM-ZR300 31014010630A FRAME/STD,REMOTE-RADIO CONT.,S-HOOK-IN  
PV1410033-00 MOUNT,ANTENNA (FREQUENCY D.E)



TM-ZR300 31014010630A FRAME/STD,REMOTE-RADIO CONT.,S-HOOK-IN  
PW5060005-01 WINCH ASSY (Y.G.TEC)

100



- : FACING KIT KEY NO 101 ( JAPANESE )
- : FACING KIT KEY NO. 102 ( ENGLISH )

- Protective seal
- Replacement interval name plate

TM-ZR300 31014010630A FRAME/STD,REMOTE-RADIO CONT.,S-HOOK-IN  
PY1000467-00 OPTIONS (HYDRAULIC-RELATED,STD)

トクベツ ショウ  
OPTIONS

( 油圧関係  
HYDRAULIC-RELATED )

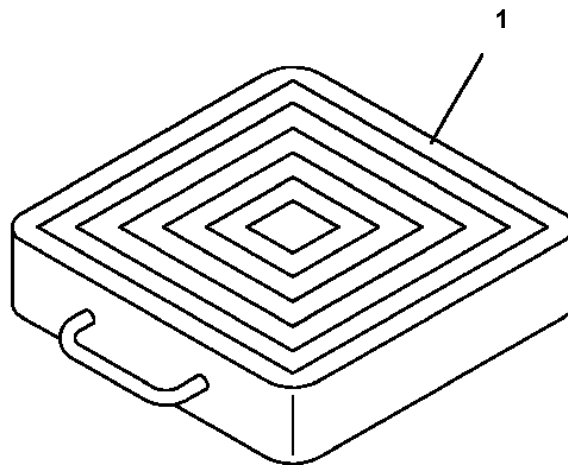
〔組立名称一覧〕より選択してください。

SEE THE CORRESPONDING "ASSEMBLY NAME" LIST.

TM-ZR300 31014010630A FRAME/STD,REMOTE-RADIO CONT.,S-HOOK-IN  
PY1560039-01 ALARM SYSTEM

指示番号 KEY NO.	アラーム システム (キフク。アウトリカ <sup>カ</sup> カクノウワスレ) ALARM SYSTEM
1	ハイセンASSY (アウトリカ <sup>カ</sup> フ <sup>ク</sup> ) ELEC.ASSY (OUTRIGGER)
2	ハイセンASSY (フ <sup>ク</sup> -ムフ <sup>ク</sup> ) ELEC.ASSY (BOOM)
3	ハイセンASSY (カソウシヤリヨウフ <sup>ク</sup> ) ELEC.ASSY
5	フ <sup>ク</sup> レートASSY,ネーム PLATE ASSY,NAME

**TM-ZR300 31014010630A FRAME/STD,REMOTE-RADIO CONT.,S-HOOK-IN  
PY2340011-00 PLATE (355X355,H=80)**



CLICK HERE TO **DOWNLOAD** THE COMPLETE MANUAL

- Thank you very much for reading the preview of the manual.
- You can download the complete manual from: [www.heydownloads.com](http://www.heydownloads.com) by clicking the link below



- Please note: If there is no response to CLICKING the link, please download this PDF first and then click on it.

CLICK HERE TO **DOWNLOAD** THE COMPLETE MANUAL