

TM-ZR260 41108210311A FRAME/STD,REMOTE-RADIO CONT.,HOOK-IN
PB000022-02 SYSTEM (ZR260,DOMESTIC)
ASSEMBLY

CLICK HERE TO **DOWNLOAD** THE COMPLETE MANUAL

- Thank you very much for reading the preview of the manual.
- You can download the complete manual from: www.heydownloads.com by clicking the link below



- Please note: If there is no response to CLICKING the link, please download this PDF first and then click on it.

CLICK HERE TO **DOWNLOAD** THE COMPLETE MANUAL

TM-ZR260 41108210311A FRAME/STD,REMOTE-RADIO CONT.,HOOK-IN

| Pos No. | Parts No | Parts Name | Qty | Unit | Technical Data | Serial No (Start) | Serial No (End) | R |
|---------|-------------|-----------------------------|-----|------|----------------|-------------------|-----------------|---|
| 5 | 52230314000 | POWER TAKE OFF | 1 | | | | | |
| | 52230312000 | POWER TAKE OFF (WITH TURBO) | 1 | | | | | |
| | 31790860000 | POWER TAKE OFF | 1 | | | | | |
| | 36401650000 | POWER TAKE OFF | 1 | | | | | |
| | 36401600001 | POWER TAKE OFF | 1 | | | | | |
| 6 | 52230314000 | POWER TAKE OFF | 1 | | | | | |
| | 52230312000 | POWER TAKE OFF (WITH TURBO) | 1 | | | | | |
| | 36401600000 | POWER TAKE OFF | 1 | | | | | |
| | 36401650000 | POWER TAKE OFF | 1 | | | | | |
| | 31790860000 | POWER TAKE OFF | 1 | | | | | |
| 7 | 31790760000 | POWER TAKE OFF | 1 | | | | | |
| | 31790720000 | POWER TAKE OFF | 1 | | | | | |

TM-ZR260 41108210311A FRAME/STD,REMOTE-RADIO CONT.,HOOK-IN

| Pos No. | Parts No | Parts Name | Qty | Unit | Technical Data | Serial No (Start) | Serial No (End) | Remarks | Pages |
|---------|-------------|----------------|-----|------|----------------|-------------------|-----------------|---------|-------|
| 1 | 36400565010 | CASE | 1 | | | | | | |
| 2 | 36400565020 | GEAR | 1 | | | | | | |
| 3 | 36400235040 | SHAFT | 1 | | | | | | |
| 4 | 36400565030 | GEAR | 1 | | | | | | |
| 5 | 36400095040 | SHAFT | 1 | | | | | | |
| 6 | 36400095050 | COLLAR | 1 | | | | | | |
| 7 | 36400095100 | SHIFTER ASSY | 1 | | | | | | |
| 8 | 36400095110 | PACKING | 2 | | | | | | |
| 9 | 36400235050 | COVER (FRONT) | 1 | | | | | | |
| 10 | 36400235060 | COVER (REAR) | 1 | | | | | | |
| 11 | 36400235070 | PACKING | 2 | | | | | | |
| 12 | 36400095090 | SHIM | N | | | | | | |
| 13 | 80500006305 | BEARING,BALL | 2 | | | | | | |
| 14 | 36400095120 | BEARING | 2 | | | | | | |
| 15 | 91206025005 | SEAL,OIL | 1 | | | | | | |
| 16 | 36400095130 | WASHER | 1 | | | | | | |
| 17 | 90101206012 | BOLT | 1 | | M6X12 | | | | |
| 18 | 80602110520 | RING,RITAINING | 2 | | R52 | | | | |
| 19 | 90191210016 | BOLT | 8 | | M10X16 | | | | |
| 20 | 90302041001 | WASHER,SPRING | 14 | | 10 | | | | |
| 21 | 90191208030 | BOLT | 4 | | M8X30 | | | | |
| 22 | 90302040801 | WASHER,SPRING | 4 | | 8 | | | | |
| 23 | 36400135120 | COUPLING | 1 | | | | | | |
| 24 | 36400135100 | KEY | 1 | | | | | | |
| 25 | 36400135150 | NUT | 1 | | M4X1.5 | | | | |
| 26 | 36400135160 | WASHER,PLAIN | 1 | | | | | | |
| 27 | 36400135090 | WASHER | 1 | | | | | | |
| 30 | 36400075140 | COVER (1) | 1 | | | | | | |
| 31 | 90193210025 | BOLT | 3 | | M10X25 | | | | |
| 32 | 36400195030 | BOLT,STUD | 3 | | | | | | |
| 33 | 90267201000 | NUT | 3 | | M10 | | | | |
| 35 | 31790670100 | SUPPORT | 1 | | | | | | |
| 36 | 90191208025 | BOLT | 2 | | M8X25 | | | | |
| 50 | 36400560000 | POWER TAKE OFF | 1 | | | | | | |
| 100 | 31790730000 | POWER TAKE OFF | 1 | | | | | | |

TM-ZR260 41108210311A FRAME/STD,REMOTE-RADIO CONT.,HOOK-IN

| Pos No. | Parts No | Parts Name | Qty | Unit | Technical Data | Serial No (Start) | Serial No (End) | Remarks | Page |
|---------|-------------|-----------------|-----|------|-----------------|-------------------|-----------------|---------|------|
| 1 | 36401165010 | CASE | 1 | | | | | | |
| 2 | 36401135060 | GEAR (TO) | 1 | | | | | | |
| 3 | 36401165020 | SHAFT | 1 | | | | | | |
| 4 | 36401125040 | SLEEVE | 1 | | | | | | |
| 5 | 36401125050 | SHIFTER SET | 1 | | | | | | |
| 6 | 36400095110 | PACKING | 1 | | | | | | |
| 7 | 36400095070 | COVER (BEARING) | 1 | | | | | | |
| 8 | 36400095080 | PACKING (COVER) | 1 | | | | | | |
| 9 | 36400095090 | SHIM | 1 | | | | | | |
| 10 | 36401135070 | COLLAR | 1 | | | | | | |
| 11 | 80500006903 | BEARING,BALL | 1 | | | | | | |
| 12 | 36401125080 | BEARING,ROLLER | 2 | | | | | | |
| 13 | 36401125090 | BEARING,NEEDLE | 1 | | | | | | |
| 14 | 91206030005 | SEAL,OIL | 1 | | | | | | |
| 15 | 36401165030 | NUT | 1 | | | | | | |
| 16 | 36401165040 | WASHER | 1 | | | | | | |
| 17 | 90191208020 | BOLT | 4 | | M8X20 | | | | |
| 18 | 90191208014 | BOLT | 3 | | M8X14 | | | | |
| 19 | 90302040801 | WASHER,SPRING | 7 | | 8 | | | | |
| 20 | 36400135120 | COUPLING | 1 | | | | | | |
| 21 | 36400135100 | KEY | 1 | | | | | | |
| 22 | 36401165050 | NUT | 1 | | M14X1.5 | | | | |
| 23 | 36400135080 | WASHER,PLAIN | 1 | | | | | | |
| 24 | 36400135090 | WASHER | 1 | | | | | | |
| 26 | 36401125120 | PACKING (CASE) | 1 | | | | | | |
| 27 | 90191210100 | BOLT | 1 | | M10X100 | | | | |
| 28 | 90191210090 | BOLT | 1 | | M10X90 | | | | |
| 29 | 90191210030 | BOLT | 2 | | M10X30 | | | | |
| 30 | 36400095150 | BOLT,STUD | 1 | | M10X1.25/1.5X43 | | | | |
| 31 | 36401125140 | BOLT | 1 | | | | | | |
| 32 | 90267201000 | NUT | 2 | | M10 | | | | |
| 33 | 90302041001 | WASHER,SPRING | 6 | | 10 | | | | |
| 34 | 31790880100 | SUPPORT | 1 | | | | | | |
| 35 | 90191208025 | BOLT | 2 | | M8X25 | | | | |
| 50 | 36401160000 | POWER TAKE OFF | 1 | | | | | | |
| 100 | 31790900000 | POWER TAKE OFF | 1 | | | | | | |

TM-ZR260 41108210311A FRAME/STD,REMOTE-RADIO CONT.,HOOK-IN

| Pos No. | Parts No | Parts Name | Qty | Unit | Technical Data | Serial No (Start) | Serial No (End) |
|---------|-------------|-----------------------------------|-----|------|----------------|-------------------|-----------------|
| 1 | 36401655010 | CASE,GEAR | 1 | | | | |
| 3 | 52230312180 | BOLT (WITH WASHER) | 8 | | M8X1.25 | | |
| 4 | 52230312160 | WASHER,SPRING | 1 | | | | |
| 5 | 52230308050 | COVER (CASE) | 1 | | | | |
| 6 | 80500006305 | BEARING,BALL | 2 | | | | |
| 7 | 52230312021 | SHAFT (OUTPUT) | 1 | | | | |
| 8 | 36401595020 | COLLAR (THRUST) | 1 | | | | |
| 9 | 52230312140 | ROD (SHAFT) | 1 | | | | |
| 10 | 52230312030 | SEAL,OIL | 1 | | | | |
| 11 | 52230308100 | SHAFT (IDLE) | 1 | | | | |
| 13 | 52230312190 | COVER (UPPER) | 1 | | | | |
| 14 | 52230312200 | PACKING (COVER) | 1 | | | | |
| 15 | 52230308130 | PIN,SPRING | 1 | | 4X24 | | |
| 16 | 36401595030 | ARM (SHAFT) | 1 | | | | |
| 17 | 52230312220 | SLEEVE | 1 | | | | |
| 18 | 52230308170 | PLUG (SHAFT) | 1 | | | | |
| 19 | 52230312051 | SEAL,OIL | 1 | | | | |
| 20 | 52230312120 | BOLT,STUD | 2 | | | | |
| 21 | 90302041001 | WASHER,SPRING | 2 | | 10 | | |
| 22 | 90267201000 | NUT | 2 | | M10 | | |
| 23 | 52230312290 | GEAR ASSY | 1 | | | | |
| 27 | 52230312250 | GEAR | 1 | | | | |
| 28 | 52230312230 | BOLT (WITH WASHER) | 4 | | M8X1.25 | | |
| 29 | 52230312090 | BEARING,NEEDLE | 2 | | | | |
| 30 | 52230312280 | BOLT | 4 | | M8X1.25 | | |
| 31 | 52230312270 | BOLT,HEXAGON SOCKET | 1 | | M8X1.25 | | |
| 32 | 52230308160 | SPRING (LOCK) | 1 | | | | |
| 33 | 52230312150 | PIN (LOCK) | 1 | | | | |
| 34 | 52230307020 | COUPLING | 1 | | | | |
| 35 | 52230312260 | PIN,SPRING | 1 | | | | |
| 36 | 52230312060 | ADAPTER | 1 | | | | |
| 50 | 36401659510 | POWER TAKE OFF (WITHOUT COUPLING) | 1 | | | | |
| 100 | 36401650000 | POWER TAKE OFF | 1 | | | | |

TM-ZR260 41108210311A FRAME/STD,REMOTE-RADIO CONT.,HOOK-IN

| Pos No. | Parts No | Parts Name | Qty | Unit | Technical Data | Serial No (Start) | Serial No (End) | Remarks | Pages |
|---------|-------------|-----------------|-----|------|----------------|-------------------|-----------------|---------|-------|
| 1 | 36401725010 | CASE | 1 | | | | | | |
| 2 | 36401725020 | GEAR | 1 | | | | | | |
| 3 | 36401725030 | SHAFT | 1 | | | | | | |
| 4 | 36400095040 | SHAFT | 1 | | | | | | |
| 5 | 36400095050 | COLLAR | 1 | | | | | | |
| 6 | 36401725040 | GEAR | 1 | | | | | | |
| 7 | 36400095100 | SHIFTER ASSY | 1 | | | | | | |
| 8 | 36400095120 | BEARING | 2 | | | | | | |
| 9 | 80500006206 | BEARING,BALL | 2 | | | | | | |
| 10 | 91206030005 | SEAL,OIL | 1 | | | | | | |
| 11 | 36400095070 | COVER (BEARING) | 1 | | | | | | |
| 12 | 36400095080 | PACKING (COVER) | 1 | | | | | | |
| 13 | 36400095090 | SHIM | N | | | | | | |
| 14 | 90101206012 | BOLT | 1 | | M6X12 | | | | |
| 15 | 36400095130 | WASHER | 1 | | | | | | |
| 16 | 90191208014 | BOLT | 3 | | M8X14 | | | | |
| 17 | 90302040801 | WASHER,SPRING | 7 | | 8 | | | | |
| 18 | 36400095110 | PACKING | 1 | | | | | | |
| 19 | 90191208020 | BOLT | 4 | | M8X20 | | | | |
| 20 | 80602110520 | RING,RITAINING | 2 | | R52 | | | | |
| 22 | 36400055070 | PACKING | 1 | | | | | | |
| 23 | 36400195030 | BOLT,STUD | 4 | | | | | | |
| 24 | 90267201000 | NUT | 4 | | M10 | | | | |
| 25 | 90193210025 | BOLT | 2 | | M10X25 | | | | |
| 26 | 90302041001 | WASHER,SPRING | 8 | | 10 | | | | |
| 27 | 36401725070 | SUPPORT (PUMP) | 1 | | | | | | |
| 28 | 36401725080 | BOLT | 2 | | M10X35 | | | | |
| 30 | 31791100100 | SUPPORT | 1 | | | | | | |
| 31 | 90191208025 | BOLT | 2 | | M8X25 | | | | |
| 50 | 36401730000 | POWER TAKE OFF | 1 | | | | | | |
| 100 | 31791110000 | POWER TAKE OFF | 1 | | | | | | |

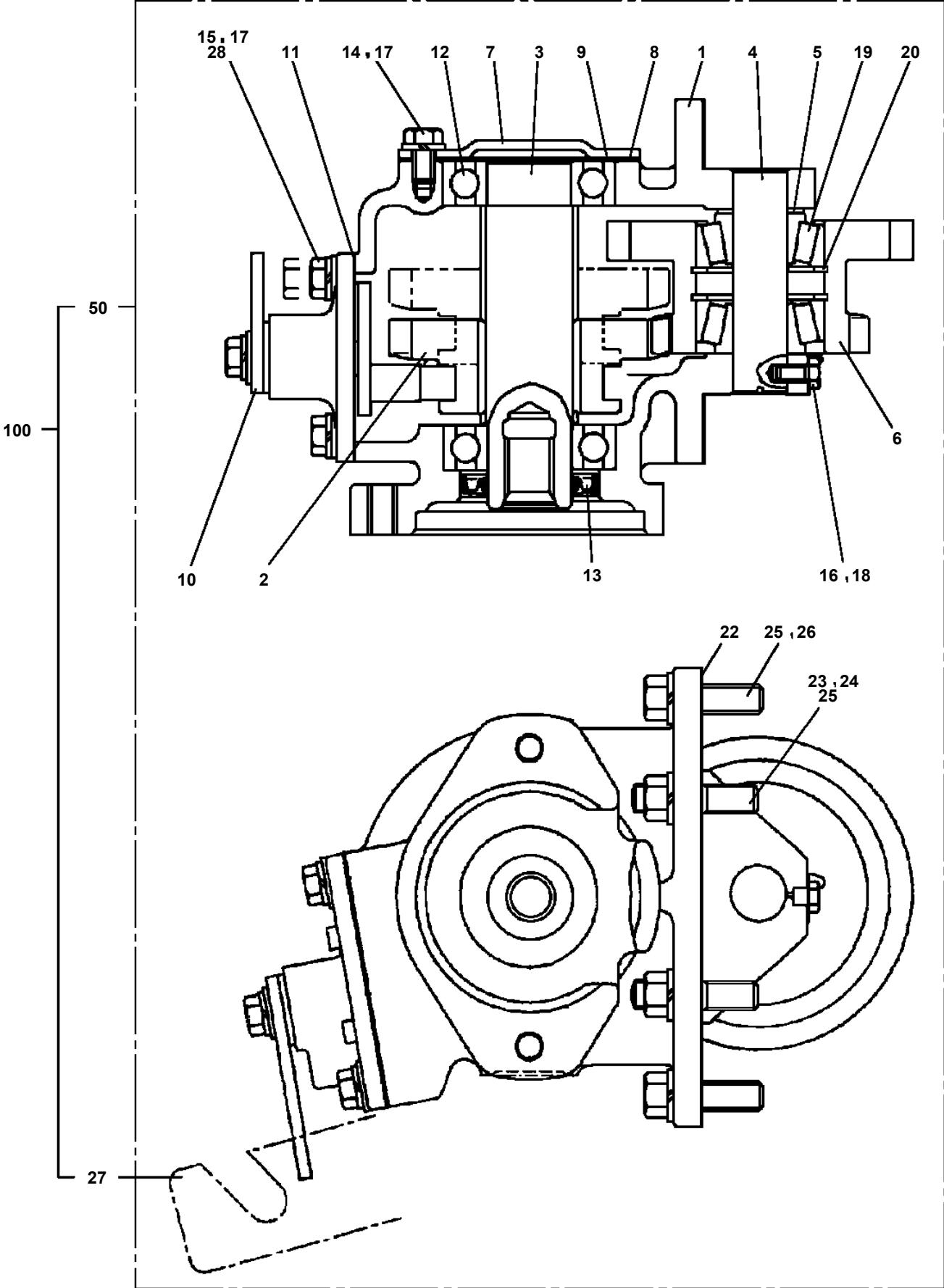
TM-ZR260 41108210311A FRAME/STD,REMOTE-RADIO CONT.,HOOK-IN

| Pos No. | Parts No | Parts Name | Qty | Unit | Technical Data | Serial No (Start) | Serial No (End) | Remarks |
|---------|-------------|---------------------|-----|------|-----------------|-------------------|-----------------|---------|
| 1 | 36401885010 | CASE | 1 | | | | | |
| 2 | 36401885020 | GEAR | 1 | | | | | |
| 3 | 36402515010 | SHAFT | 1 | | | | | |
| 4 | 36401885030 | GEAR | 1 | | | | | |
| 5 | 36400415050 | SHAFT | 1 | | | | | |
| 6 | 36400675030 | COLLAR | 1 | | | | | |
| 7 | 36401725050 | SHIFTER ASSY | 1 | | | | | |
| 8 | 36400095110 | PACKING | 1 | | | | | |
| 9 | 36400095070 | COVER (BEARING) | 1 | | | | | |
| 10 | 36400095080 | PACKING (COVER) | 1 | | | | | |
| 11 | 36400095090 | SHIM | N | | | | | |
| 12 | 80500006206 | BEARING,BALL | 2 | | | | | |
| 13 | 91206030005 | SEAL,OIL | 1 | | | | | |
| 14 | 91001102100 | O-RING | 1 | | 1A P21 | | | |
| 15 | 90710006200 | SCREW,SET | 1 | | M6X20 | | | |
| 16 | 90191208020 | BOLT | 4 | | M8X20 | | | |
| 17 | 90191208014 | BOLT | 3 | | M8X14 | | | |
| 18 | 90302040801 | WASHER,SPRING | 7 | | 8 | | | |
| 19 | 36400135070 | BEARING | 2 | | | | | |
| 20 | 80602110620 | RING,RITAINING | 2 | | R62 | | | |
| 22 | 36401885040 | PACKING | 1 | | | | | |
| 23 | 36400095150 | BOLT,STUD | 2 | | M10X1.25/1.5X43 | | | |
| 24 | 90191210030 | BOLT | 6 | | M10X30 | | | |
| 25 | 90267201000 | NUT | 2 | | M10 | | | |
| 26 | 90302041001 | WASHER,SPRING | 8 | | 10 | | | |
| 27 | 90191208025 | BOLT | 2 | | M8X25 | | | |
| 28 | 31790670100 | SUPPORT | 1 | | | | | |
| 50 | 36402510000 | POWER TAKE OFF ASSY | 1 | | | | | |
| 100 | 31792480000 | POWER TAKE OFF | 1 | | | | | |

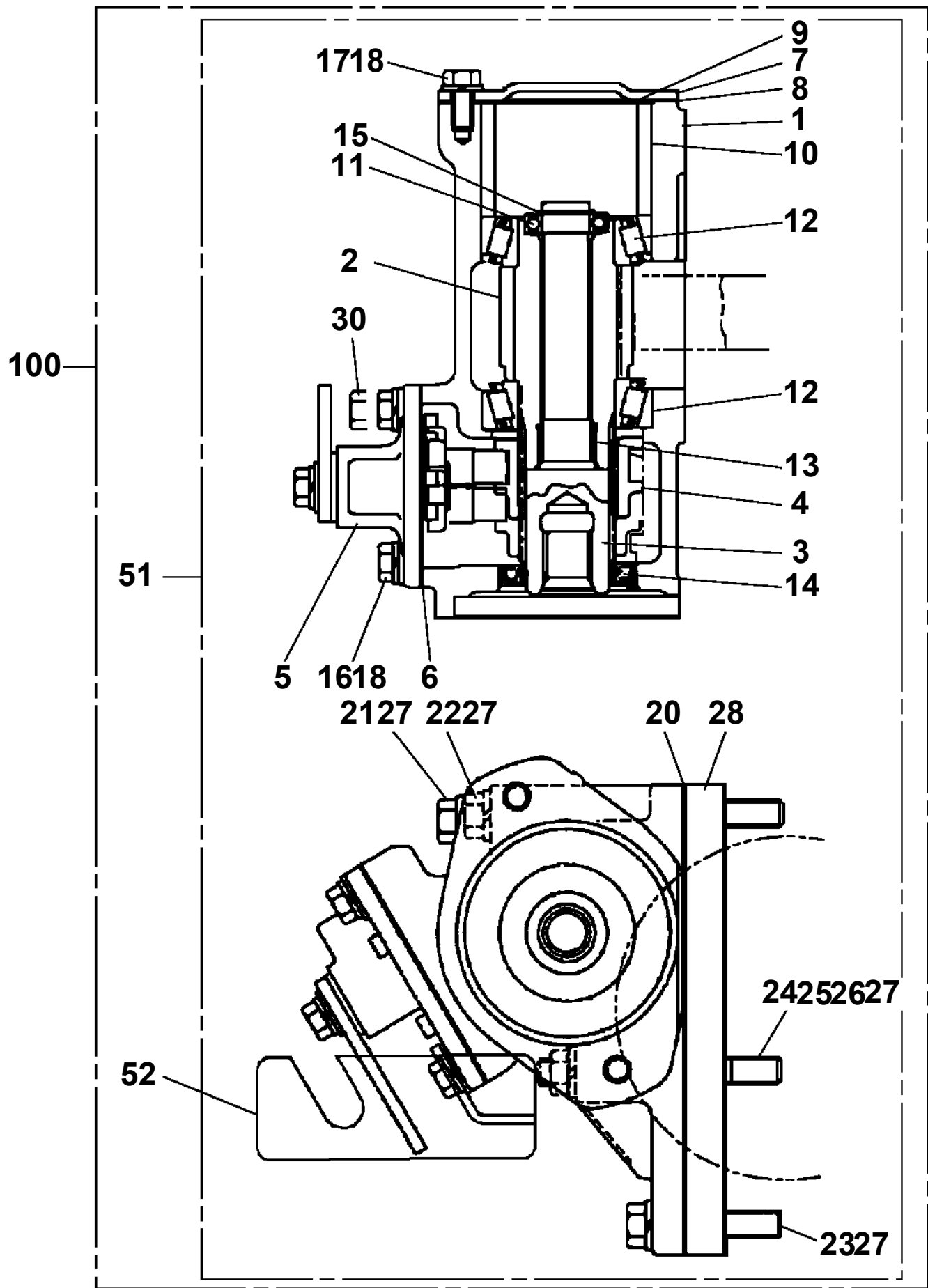
TM-ZR260 41108210311A FRAME/STD,REMOTE-RADIO CONT.,HOOK-IN

| Pos No. | Parts No | Parts Name | Qty | Unit | Technical Data | Serial No (Start) | Serial No (End) | Remarks | Page |
|---------|-------------|----------------|-----|------|----------------|-------------------|-----------------|---------|-------|
| 1 | 36401420000 | POWER TAKE OFF | 1 | | | | | | 00001 |
| 2 | 31790990100 | SUPPORT | 1 | | | | | | |
| 50 | 31790990000 | POWER TAKE OFF | 1 | | | | | | |

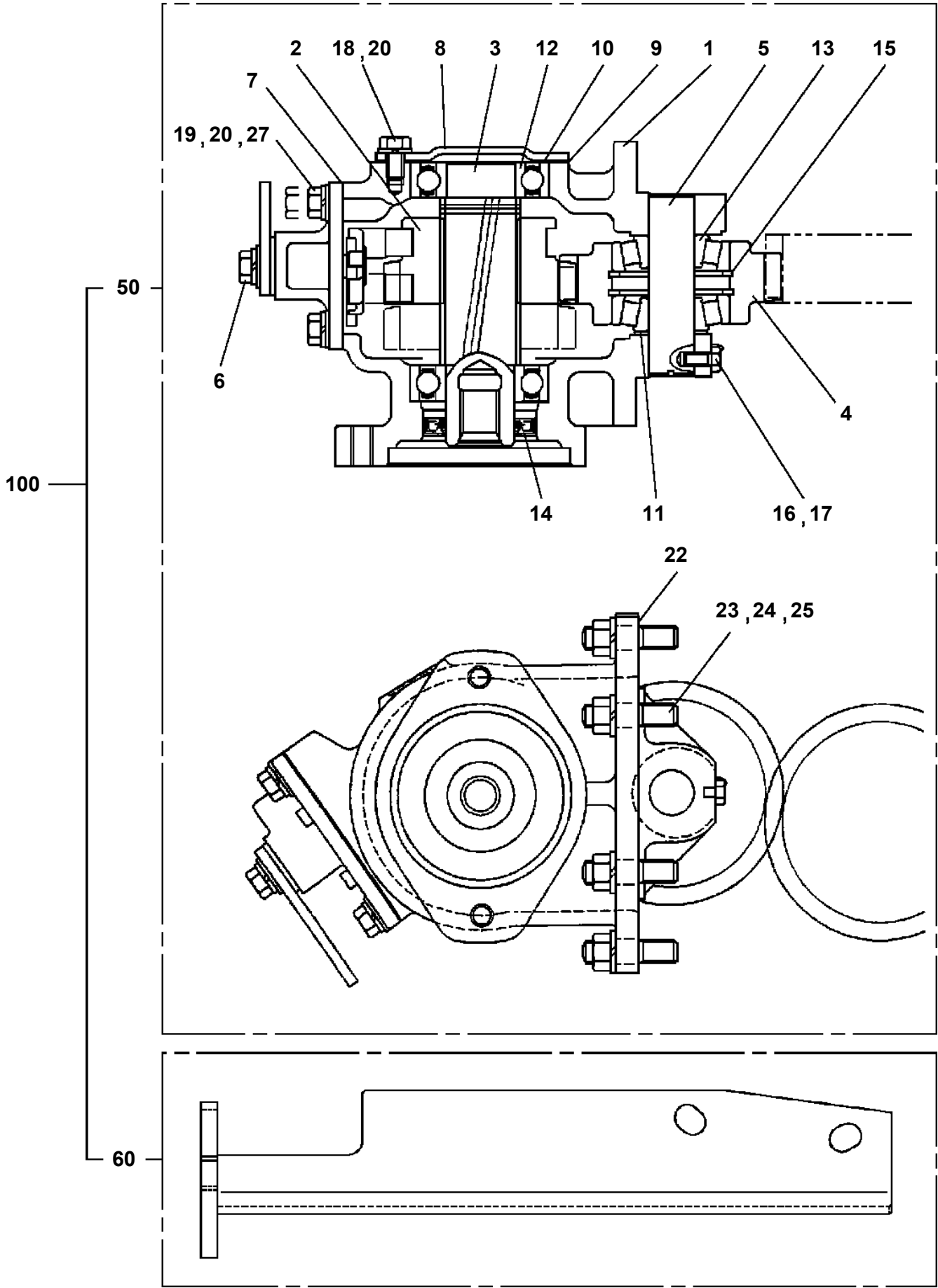
TM-ZR260 41108210311A FRAME/STD,REMOTE-RADIO CONT.,HOOK-IN
PB1030209-01 POWER TAKE OFF



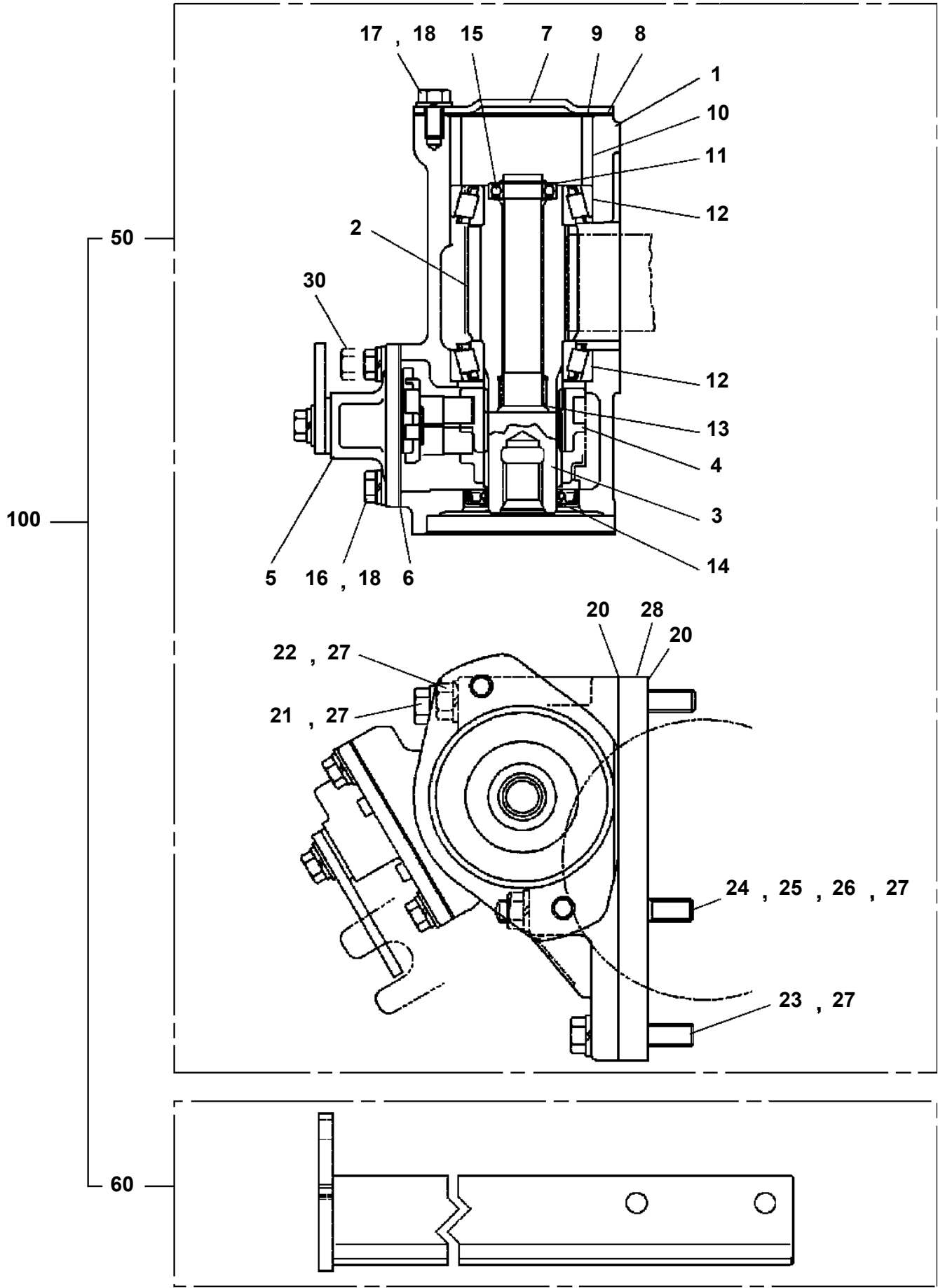
TM-ZR260 41108210311A FRAME/STD,REMOTE-RADIO CONT.,HOOK-IN
PB1030222-00 POWER TAKE OFF



TM-ZR260 41108210311A FRAME/STD,REMOTE-RADIO CONT.,HOOK-IN
PB1030228-00 POWER TAKE OFF

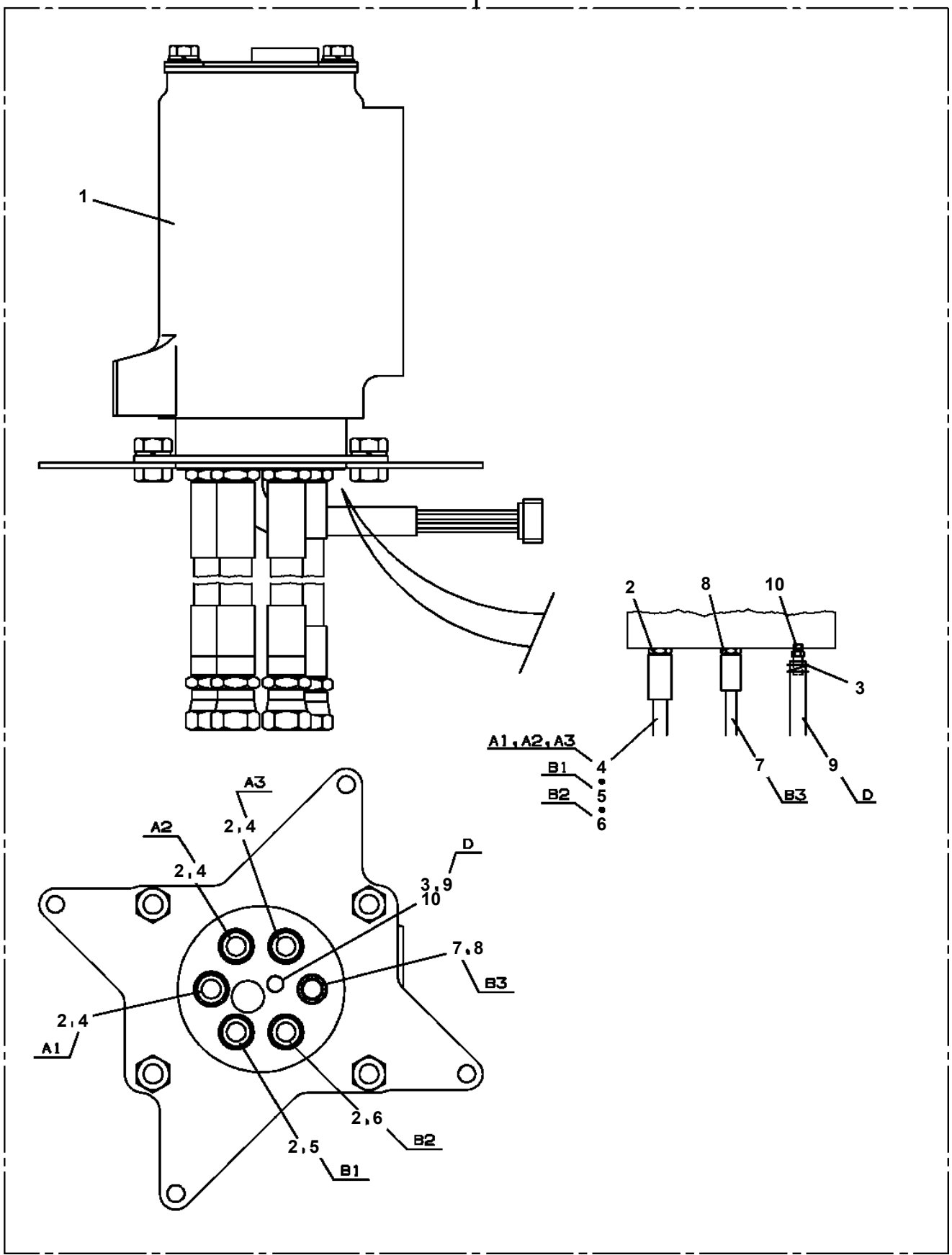


TM-ZR260 41108210311A FRAME/STD,REMOTE-RADIO CONT.,HOOK-IN
PB1030235-01 POWER TAKE OFF



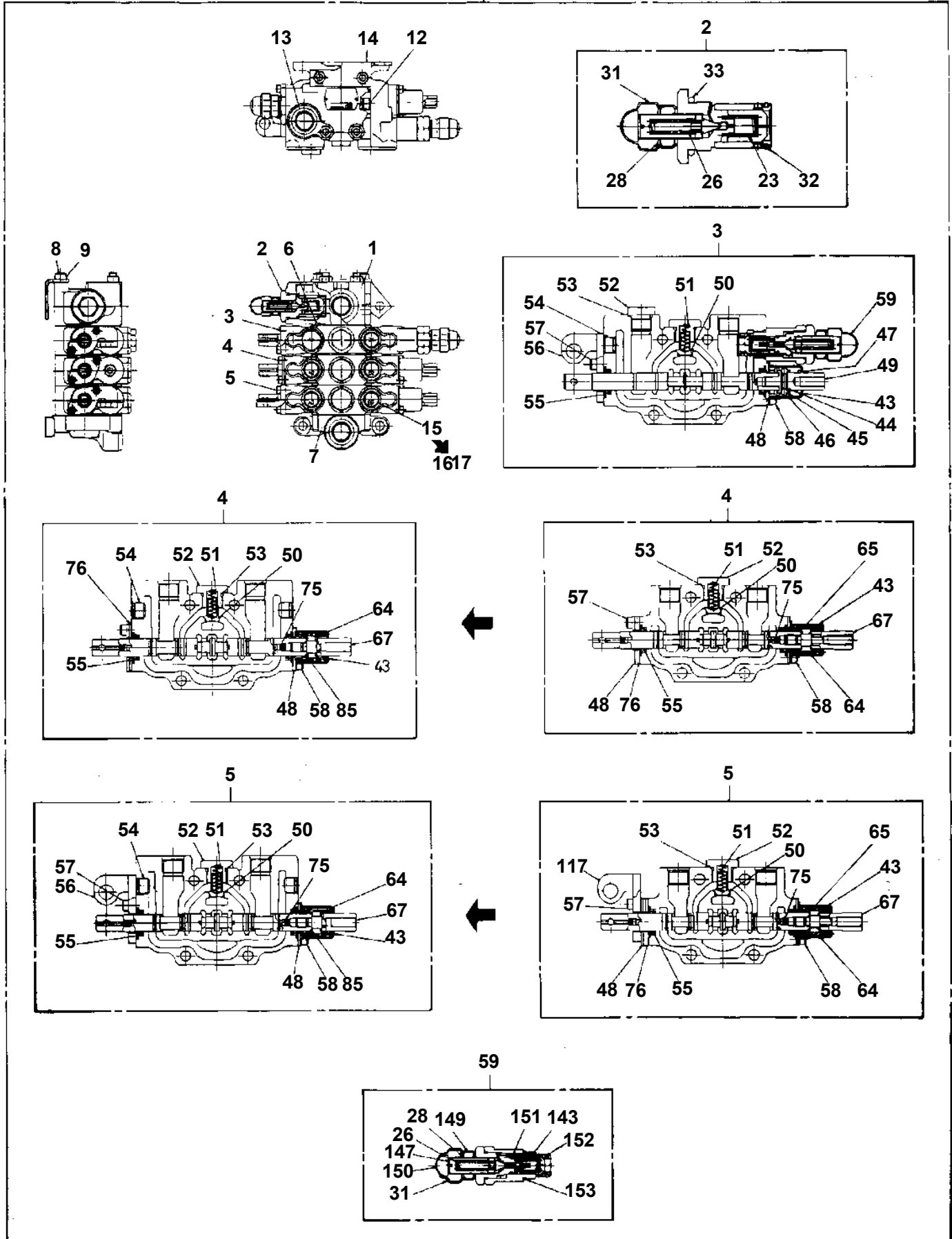
TM-ZR260 41108210311A FRAME/STD,REMOTE-RADIO CONT.,HOOK-IN
 PB1300413-01 JOINT,ROTARY

50

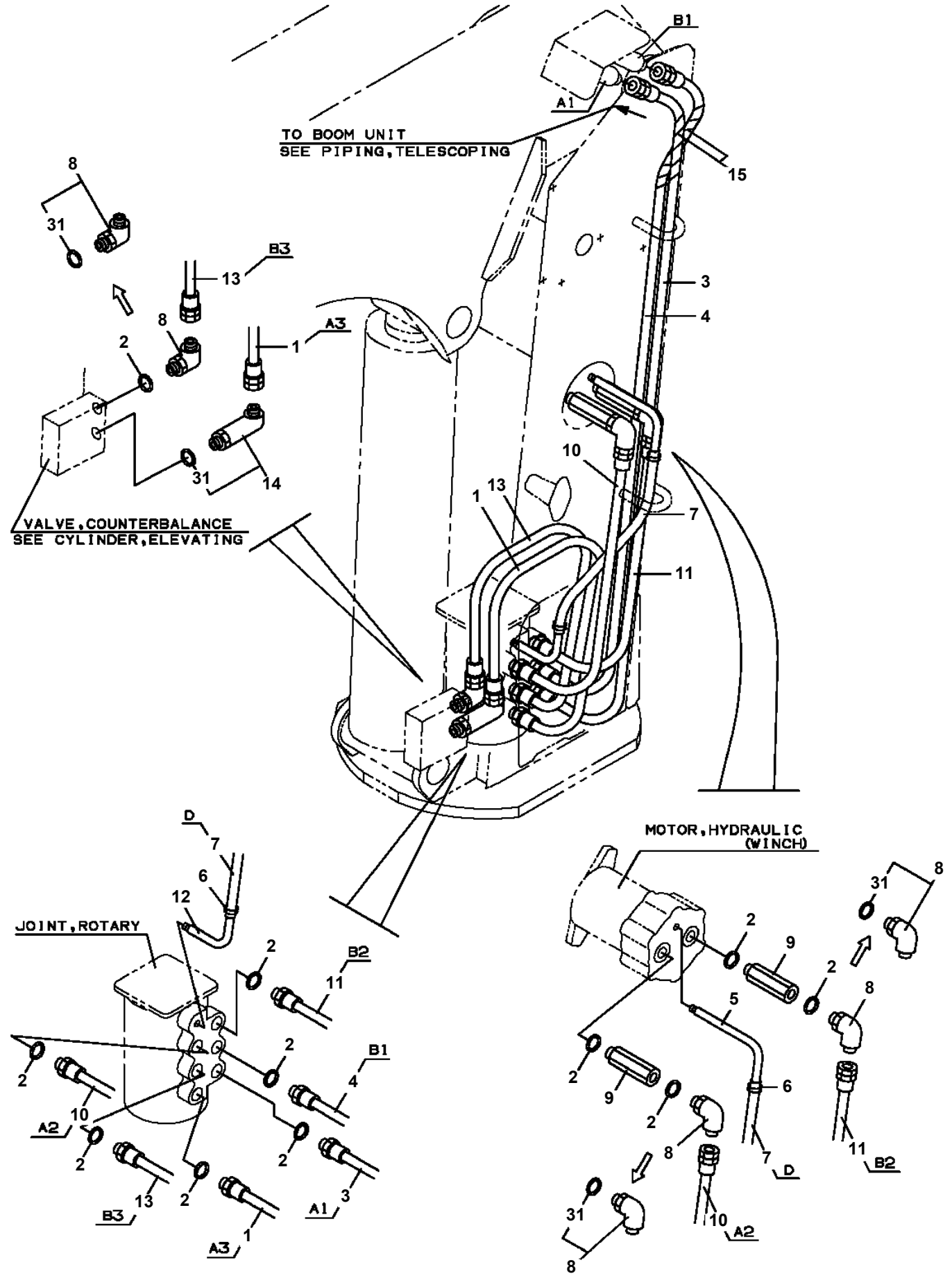


TM-ZR260 41108210311A FRAME/STD,REMOTE-RADIO CONT.,HOOK-IN
PB1320413-01 VALVE,MANUAL CONTROL (R/J+SERVICE PORT)

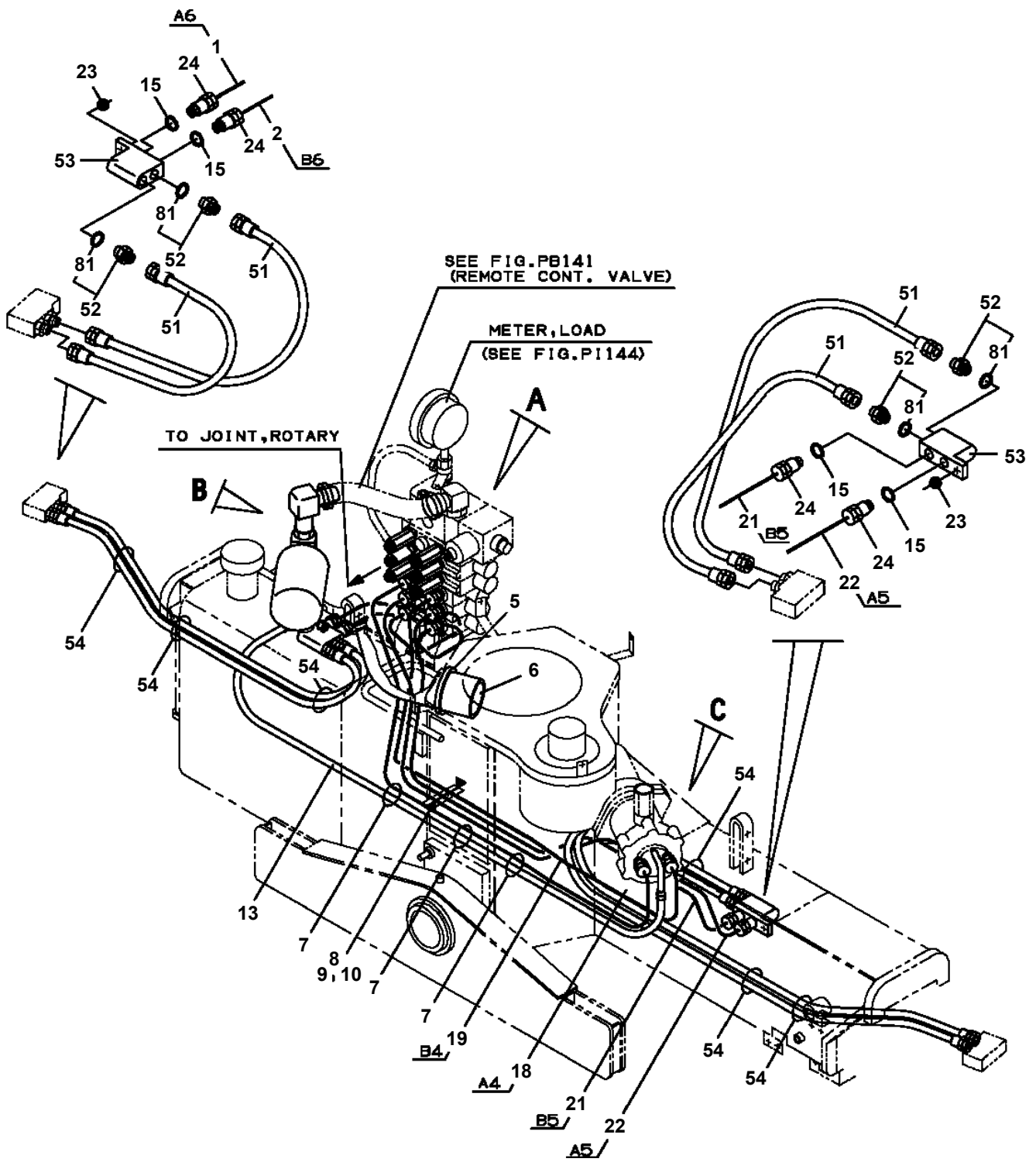
200



**TM-ZR260 41108210311A FRAME/STD,REMOTE-RADIO CONT.,HOOK-IN
PB1400317-02 PIPING,UPPER**



TM-ZR260 41108210311A FRAME/STD,REMOTE-RADIO CONT.,HOOK-IN
PB1411471-00 PIPING,LOWER



TM-ZR260 41108210311A FRAME/STD,REMOTE-RADIO CONT.,HOOK-IN

| Pos No. | Parts No | Parts Name | Qty | Unit | Technical Data | Serial No (Start) | Serial N |
|---------|----------|--|-----|------|----------------|-------------------|----------|
| 1 | (*****) | OUTRIGGER,REAR | 1 | | | | |
| 3 | (*****) | OPE.ASSY,OUTRIGGER (ROTARY REAR JACK) | 1 | | | | |
| 4 | (*****) | PLATE ASSY,NAME (R/J OPERATION) | 1 | | | | |
| 5 | (*****) | MOUNT,SUPPORT (SL LAMP/WITH OPT.VALVE) | 1 | | | | |
| 11 | (*****) | PIPING,LOWER(MAIN--R/J VALVE) | 1 | | | | |
| 12 | (*****) | PIPING,REAR JACK (1,ROTARY) | 1 | | | | |

TM-ZR260 41108210311A FRAME/STD,REMOTE-RADIO CONT.,HOOK-IN

| Pos No. | Parts No | Parts Name | Qty | Unit | Technical Data | Serial No (Start) | Serial No (E |
|---------|-------------|----------------------------------|-----|------|----------------|-------------------|--------------|
| 1 | 91001101000 | O-RING | 2 | | 1A P10 | | |
| 2 | 90172110040 | BOLT,HEXAGON SOCKET | 2 | | M10X40 | | |
| 3 | 36623930000 | VALVE,PILOT CHECK | 1 | | | | |
| 4 | 90174110025 | BOLT | 2 | | M10X25 | | |
| 5 | 80491002020 | JOINT (WITH O-RING) | 2 | | | | |
| 6 | 36033740000 | CYLINDER,JACK (COLD-FORGED) | 1 | | | | |
| | 36036260000 | CYLINDER,JACK (WELDED STRUCTURE) | 1 | | | | |
| | 36036550000 | CYLINDER,JACK (FRICTION-WELDED) | 1 | | | | |
| 7 | 37000572180 | PLATE | 2 | | | | |
| 8 | 99183705012 | BOLT,HEXAGON SOCKET | 2 | | M5X12 | | |
| 9 | 31612502000 | COVER | 1 | | | | |
| 10 | 80189305008 | SCREW,MACHINE | 1 | | M5X8 | | |
| 31 | 91002801100 | O-RING | 2 | | 1B P11 | | |

TM-ZR260 41108210311A FRAME/STD,REMOTE-RADIO CONT.,HOOK-IN

| Pos No. | Parts No | Parts Name | Qty | Unit | Technical Data | Serial No (Start) | Serial No (E |
|---------|-------------|----------------------------------|-----|------|----------------|-------------------|--------------|
| 1 | 36031780100 | CYLINDER | 1 | | | | |
| 2 | 90211203000 | NUT | 1 | | M30X3/2 | | |
| 3 | 36032110300 | PISTON | 1 | | | | |
| 4 | 91350207500 | BEARING,PLAIN (WITH PACKINGX2) | 1 | | | | |
| 5 | 91002903000 | O-RING | 1 | | 1B G30 | | |
| 6 | 36010130080 | COVER,ROD | 1 | | | | |
| 7 | 91002907000 | O-RING | 1 | | 1B G70 | | |
| 8 | 91694006000 | PACKING | 1 | | | | |
| 9 | 91660006001 | SEAL,DUST | 1 | | | | |
| 10 | 36036241000 | ROD | 1 | | | | |
| 20 | 36033909900 | PACKING SET | 1 | | 60X75 | | |
| 50 | 36036240000 | CYLINDER,JACK (WELDED STRUCTURE) | 1 | | | | |

TM-ZR260 41108210311A FRAME/STD,REMOTE-RADIO CONT.,HOOK-IN

| Pos No. | Parts No | Parts Name | Qty | Unit | Technical Data | Serial No (Start) | Serial No (End) |
|---------|-------------|---------------------------------|-----|------|----------------|-------------------|-----------------|
| 1 | 36031780100 | CYLINDER | 1 | | | | |
| 2 | 90211203000 | NUT | 1 | | M30X3/2 | | |
| 3 | 36032110300 | PISTON | 1 | | | | |
| 4 | 91350207500 | BEARING,PLAIN (WITH PACKINGX2) | 1 | | | | |
| 5 | 91002903000 | O-RING | 1 | | 1B G30 | | |
| 6 | 36010130080 | COVER,ROD | 1 | | | | |
| 7 | 91002907000 | O-RING | 1 | | 1B G70 | | |
| 8 | 91694006000 | PACKING | 1 | | | | |
| 9 | 91660006001 | SEAL,DUST | 1 | | | | |
| 10 | 36036561000 | ROD | 1 | | | | |
| 30 | 36033909900 | PACKING SET | 1 | | 60X75 | | |
| 50 | 36036560000 | CYLINDER,JACK (FRICTION-WELDED) | 1 | | | | |

TM-ZR260 41108210311A FRAME/STD,REMOTE-RADIO CONT.,HOOK-IN

| Pos No. | Parts No | Parts Name | Qty | Unit | Technical Data | Serial No (Start) | Serial No (End) | Remarks | Pa |
|---------|-------------|---------------------|-----|------|----------------|-------------------|-----------------|---------|----|
| 1 | 90101208014 | BOLT | 3 | | M8X14 | | | | |
| 2 | 90302040801 | WASHER,SPRING | 3 | | 8 | | | | |
| 3 | 90303070801 | WASHER,PLAIN | 3 | | 8 | | | | |
| 4 | 31643010100 | COVER | 1 | | | | | | |
| 5 | 37002452510 | HOSE | 4 | | L=1380 | | | | |
| 6 | 37000714020 | CLAMP ASSY | 2 | | 12X2 | | | | |
| 7 | 80491002020 | JOINT (WITH O-RING) | 4 | | | | | | |
| 8 | 82100001411 | TUBE,SPIRAL | N | | SE-08BK | | | | |
| 21 | 91002801100 | O-RING | 4 | | 1B P11 | | | | |

TM-ZR260 41108210311A FRAME/STD,REMOTE-RADIO CONT.,HOOK-IN

| Pos No. | Parts No | Parts Name | Qty | Unit | Technical Data | Serial No (Start) | Serial No (End) | Remarks | Pages |
|---------|-------------|------------|-----|------|----------------|-------------------|-----------------|---------|-------|
| 3 | 82182819822 | DIODE | 1 | | 3A | | | | |
| 10 | 31504322300 | DIODE ASSY | 1 | | | | | | |

TM-ZR260 41108210311A FRAME/STD,REMOTE-RADIO CONT.,HOOK-IN

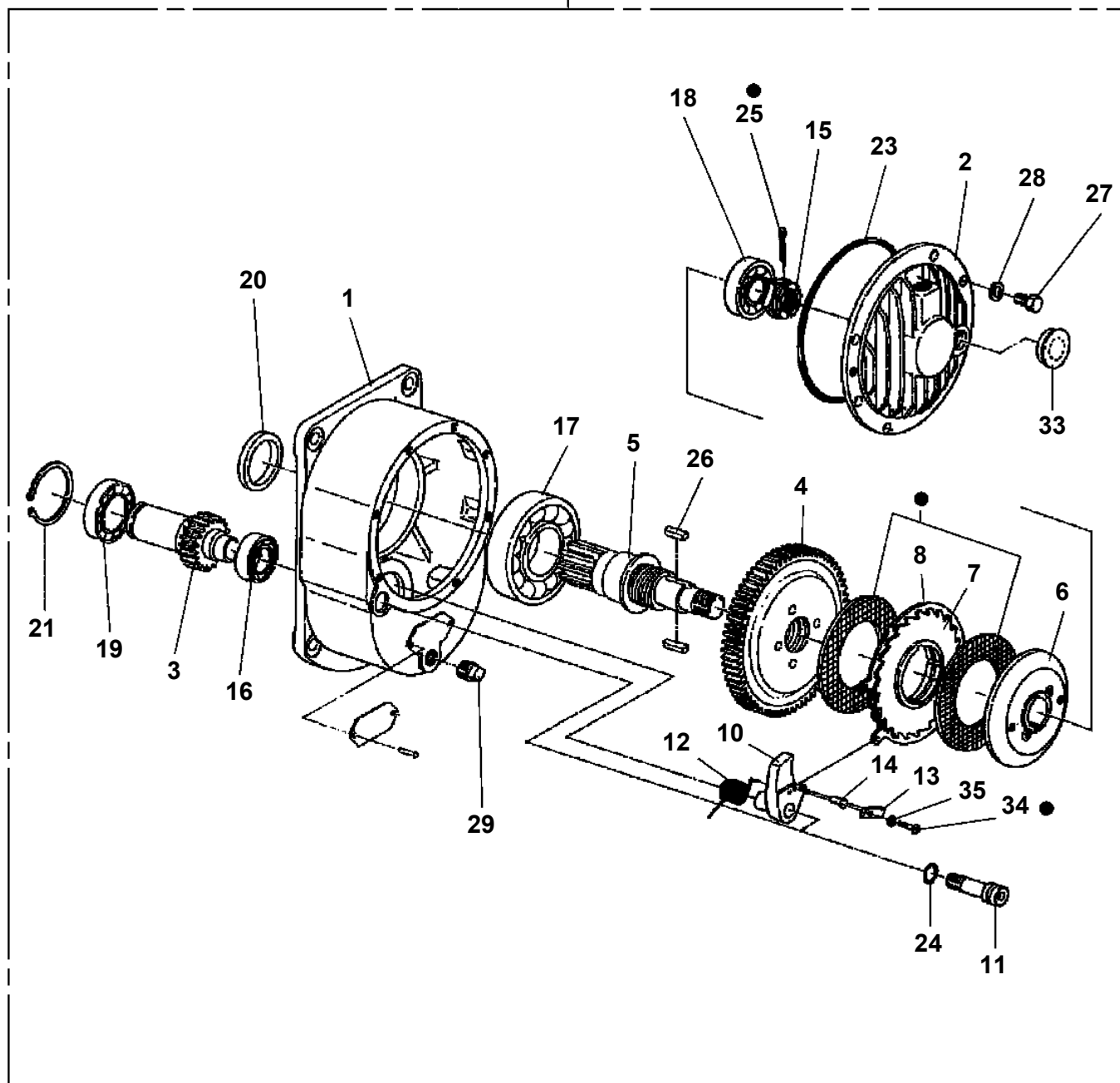
| Pos No. | Parts No | Parts Name | Qty | Unit | Technical Data | Serial No (Start) | Serial No (End) | Remarks | Pages |
|---------|-------------|---------------|-----|------|----------------|-------------------|-----------------|---------|-------|
| 1 | 31502982600 | PLATE | 2 | | | | | | |
| 2 | 31502982101 | SUPPORT | 2 | | | | | | |
| 3 | 90101208016 | BOLT | 8 | | M8X16 | | | | |
| 4 | 90303070801 | WASHER,PLAIN | 12 | | 8 | | | | |
| 5 | 90302040801 | WASHER,SPRING | 12 | | 8 | | | | |
| 6 | 90101212035 | BOLT | 2 | | M12X35 | | | | |
| 7 | 90203201200 | NUT | 2 | | M12 | | | | |
| 8 | 91850100802 | CLAMP | 2 | | | | | | |
| 9 | 91803601400 | CLIP | 2 | | D=110-140 | | | | |
| 10 | 31502982700 | PLATE | 2 | | | | | | |
| 11 | 36622730500 | SPACER | 4 | | L=5 | | | | |
| 12 | 37000302840 | SPACER | 4 | | L=10.6 | | | | |
| 13 | 90101208030 | BOLT | 4 | | M8X30 | | | | |
| 14 | 31502982201 | SUPPORT | 2 | | | | | | |
| 15 | 82108501060 | SWITCH | 2 | | | | | | |
| 16 | 31502982401 | COVER | 2 | | | | | | |
| 17 | 91850310305 | CLAMP | 8 | | | | | | |
| 18 | 91810130240 | FASTENER | 16 | | | | | | |
| 20 | 37000517380 | PLATE | 4 | | T=2.3 TO 3.2 | | | | |
| 21 | 37000302980 | SPACER | 2 | | L=10 | | | | |
| 22 | 90101206016 | BOLT | 4 | | M6X16 | | | | |
| 23 | 90303070601 | WASHER,PLAIN | 4 | | 6 | | | | |
| 24 | 90302040601 | WASHER,SPRING | 4 | | 6 | | | | |

TM-ZR260 41108210311A FRAME/STD,REMOTE-RADIO CONT.,HOOK-IN

| Pos No. | Parts No | Parts Name | Qty | Unit | Technical Data | Serial No (Start) | Serial No (End) | Remarks | Pages |
|---------|-------------|---------------|-----|------|----------------|-------------------|-----------------|---------|-------|
| 1 | 31475352100 | PLATE,NAME | 1 | | | | | | |
| 2 | 31476362400 | HARNESS (RED) | 2 | | L=6000 | | LA8421 | | |
| | 31476362800 | HARNESS | 1 | | L=6000 | LA8422 | | | |
| 3 | 91810130240 | FASTENER | 10 | | | | | | |
| 4 | 31476362900 | HARNESS | 1 | | L=6000 | LA8422 | | | |

**TM-ZR260 41108210311A FRAME/STD,REMOTE-RADIO CONT.,HOOK-IN
PF1010167-02 WINCH (HARTYS)**

100



● : FACING KIT KEY NO.101 (JAPANESE)

● : FACING KIT KEY NO.102 (ENGLISH)

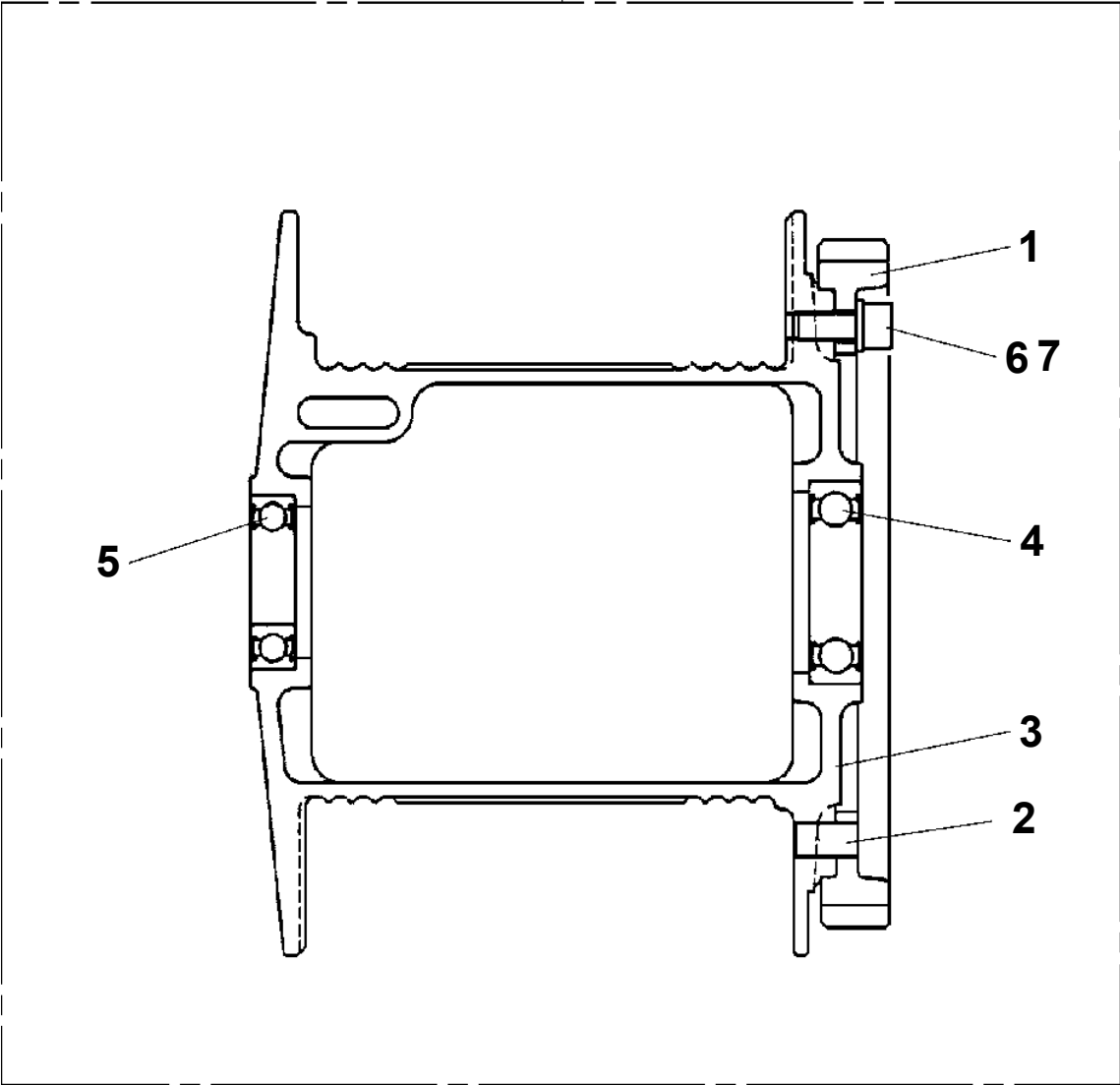


● Protective seal

● Replacement interval name plate

TM-ZR260 41108210311A FRAME/STD,REMOTE-RADIO CONT.,HOOK-IN
PF1020024-00 DRUM,WINCH (Y.G.TEC)

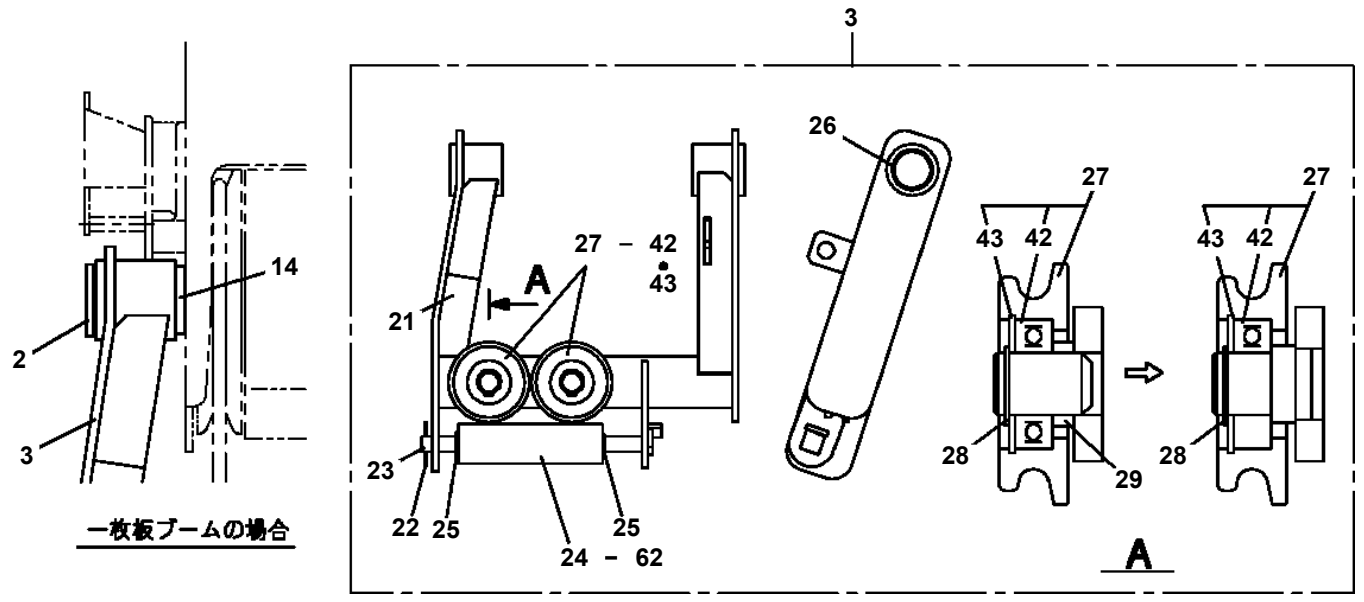
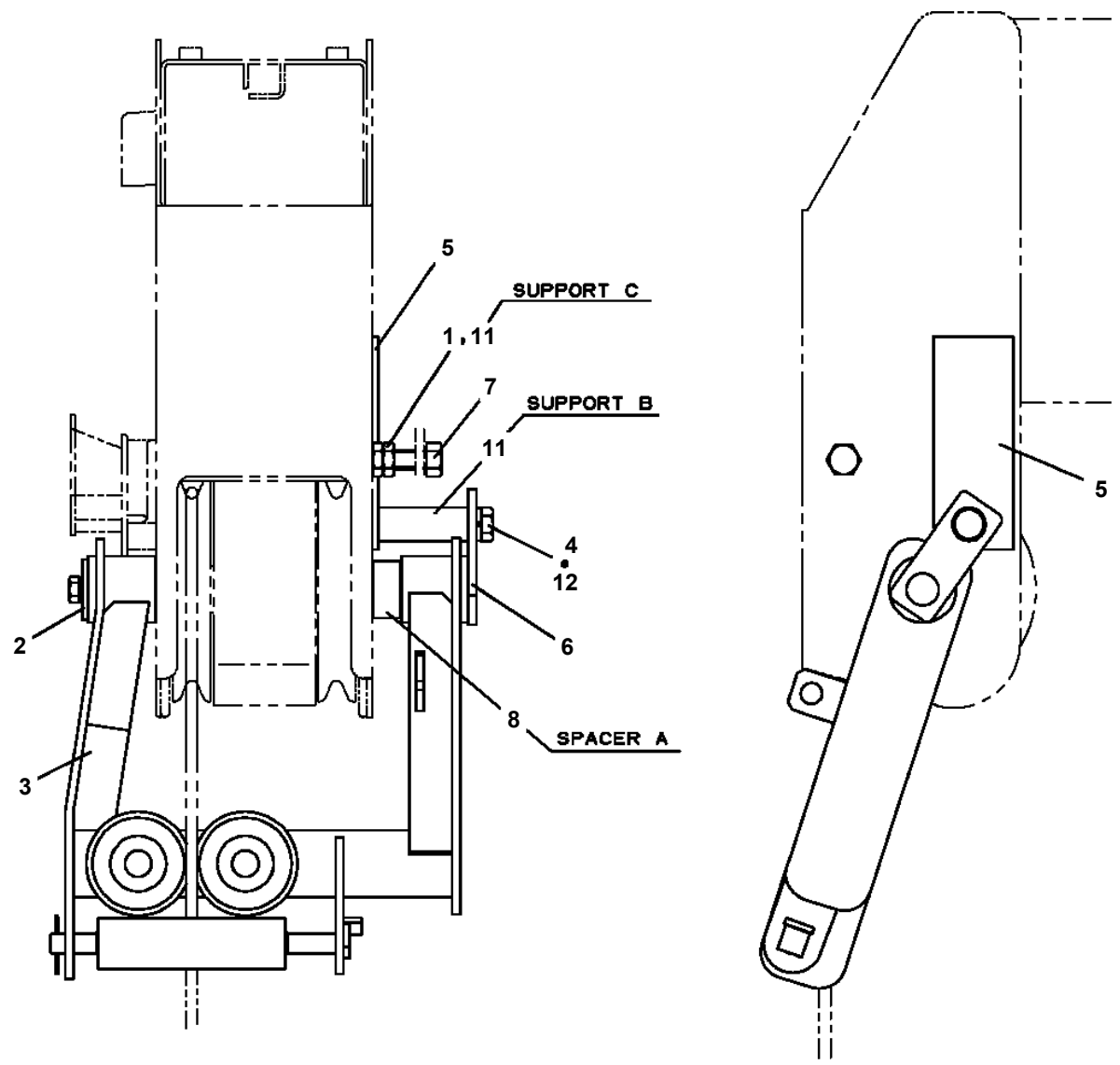
100



TM-ZR260 41108210311A FRAME/STD,REMOTE-RADIO CONT.,HOOK-IN
PF1050464-00 HOOK (1-PART LINE)

| | |
|---|-------------------------------------|
| 1 | フック HOOK |
| 2 | プレートASSY,ネーム PLATE ASSY,NAME |
| 3 | ディテクタ,オーバワイント DETECTOR,OVER WIND |

TM-ZR260 41108210311A FRAME/STD,REMOTE-RADIO CONT.,HOOK-IN
 PG1020003-06 GUIDE,ROPE (RETAINING WIRE ROPE,1-PART)



CLICK HERE TO **DOWNLOAD** THE COMPLETE MANUAL

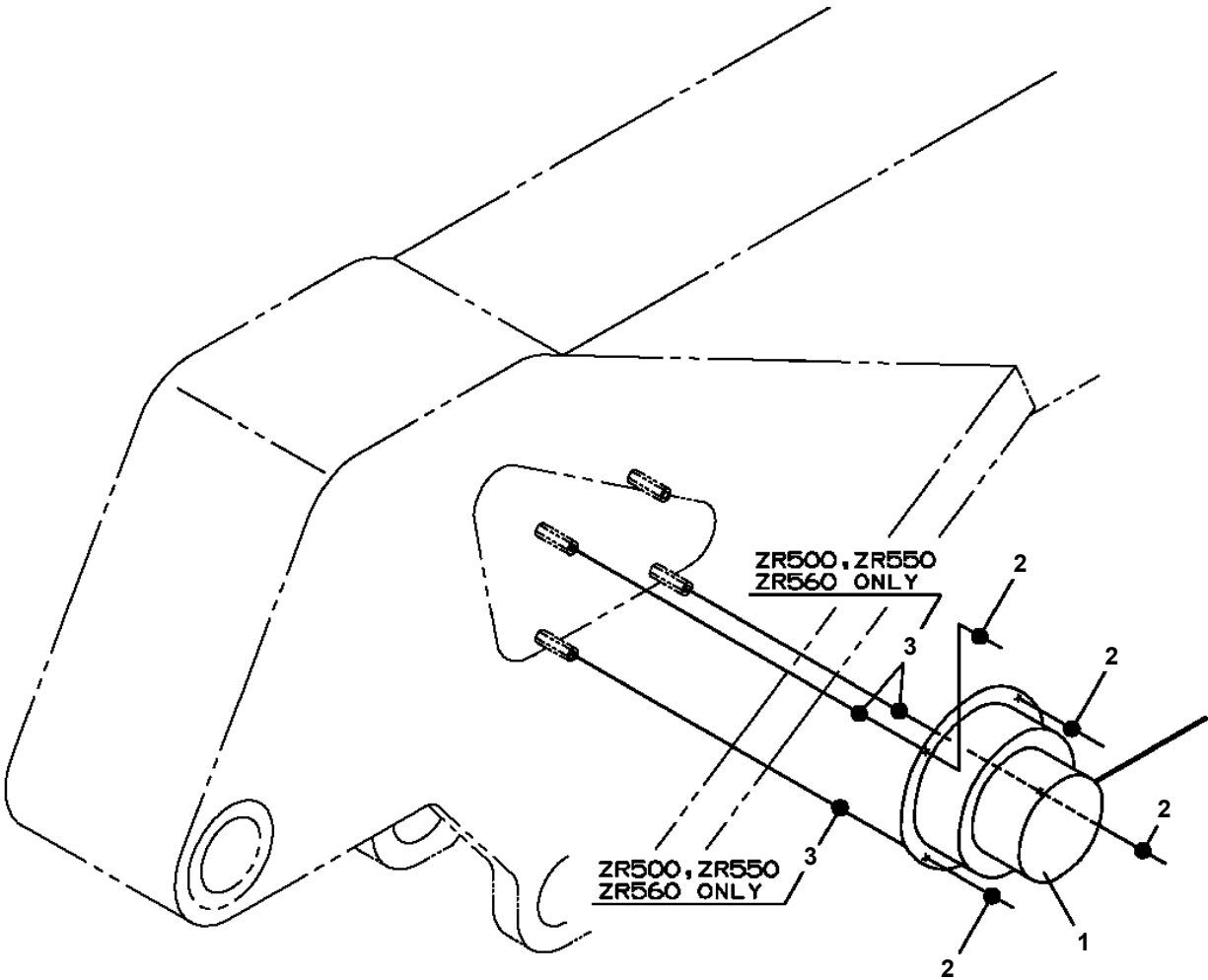
- Thank you very much for reading the preview of the manual.
- You can download the complete manual from: www.heydownloads.com by clicking the link below



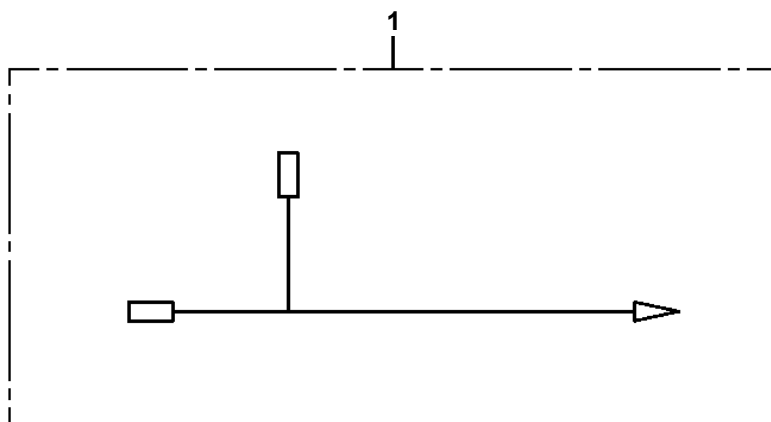
- Please note: If there is no response to CLICKING the link, please download this PDF first and then click on it.

CLICK HERE TO **DOWNLOAD** THE COMPLETE MANUAL

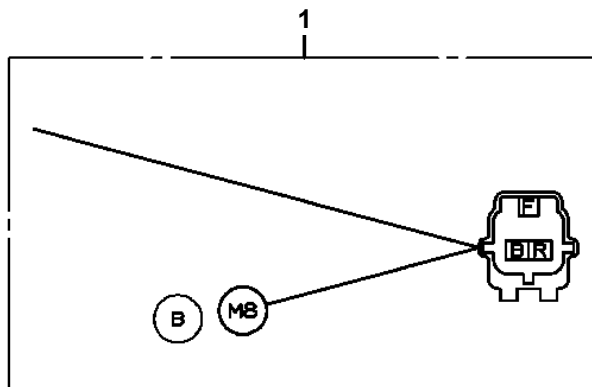
TM-ZR260 41108210311A FRAME/STD,REMOTE-RADIO CONT.,HOOK-IN
PG1130145-01 DETECTOR,BOOM LENGTH (MOUNT)



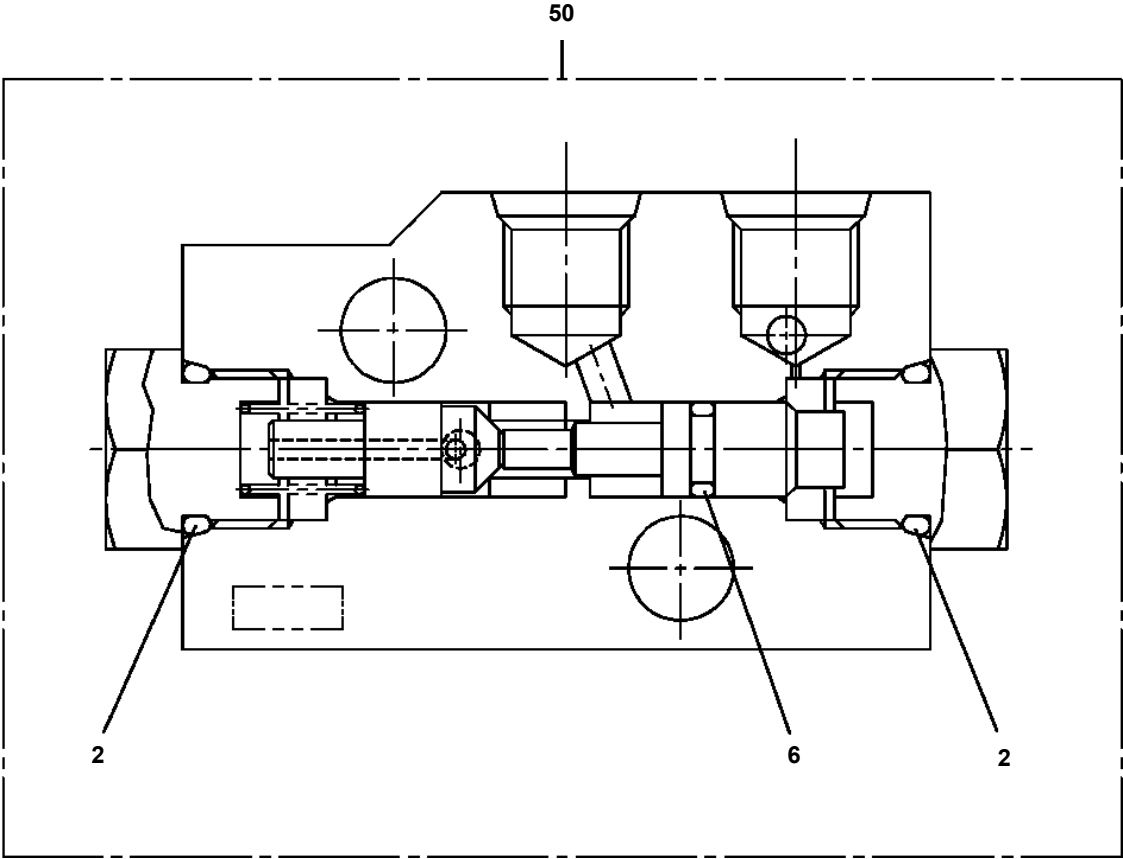
TM-ZR260 41108210311A FRAME/STD,REMOTE-RADIO CONT.,HOOK-IN
PH5032071-00 HARNESS



TM-ZR260 41108210311A FRAME/STD,REMOTE-RADIO CONT.,HOOK-IN
PH5033591-00 HARNESS



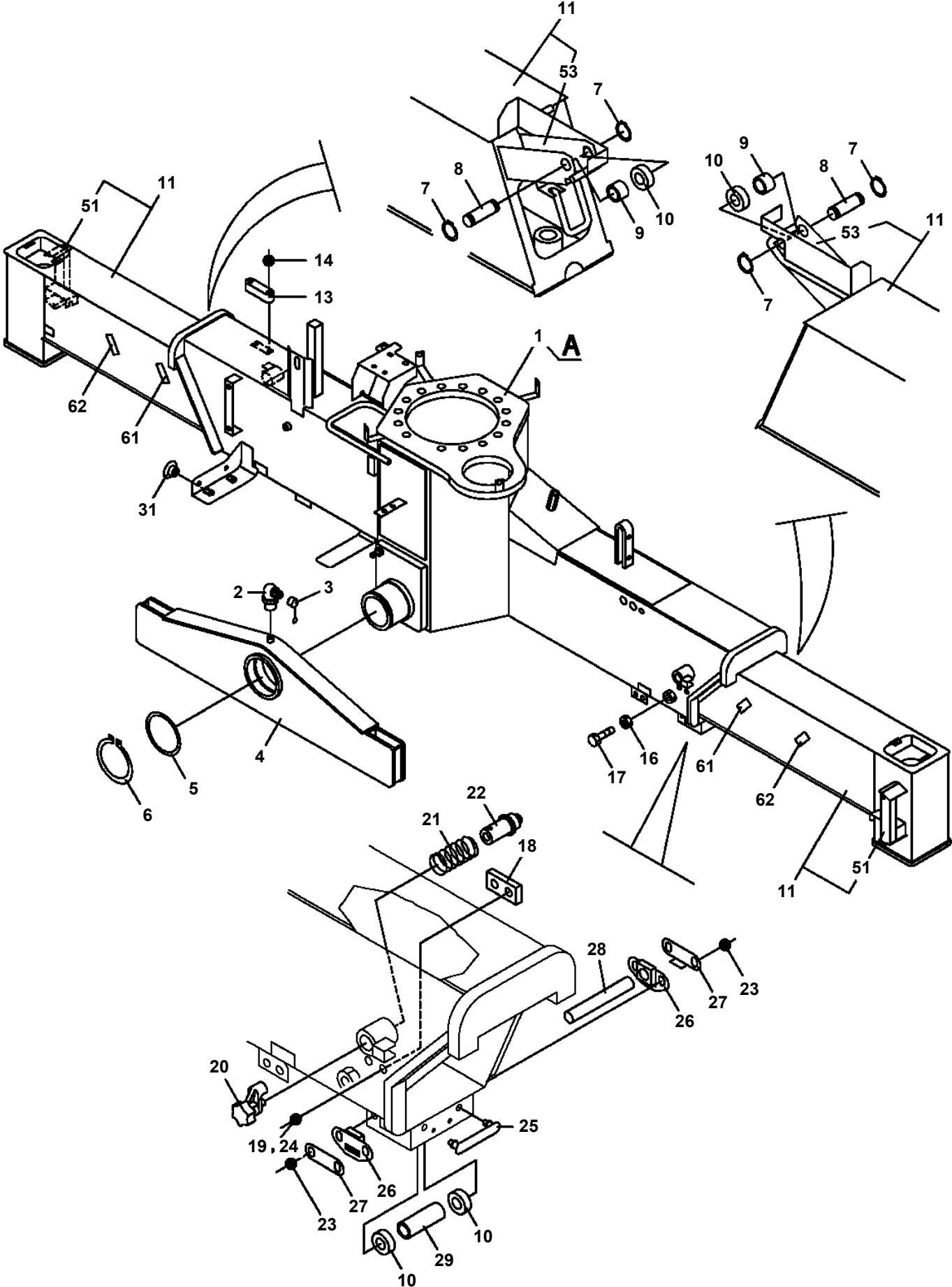
TM-ZR260 41108210311A FRAME/STD,REMOTE-RADIO CONT.,HOOK-IN
PI1280051-00 VALVE,PILOT CHECK



TM-ZR260 41108210311A FRAME/STD,REMOTE-RADIO CONT.,HOOK-IN
PJ3410006-01 LOCK ASSY

| | |
|-----------------|---|
| 指示番号 KEY NO. | ロックASSY (トウナンホ [*] ウシソウチ/Fカ [*] タラシ [*] コン) LOCK ASSY |
| 1 | ハイセンASSY ELEC.ASSY |

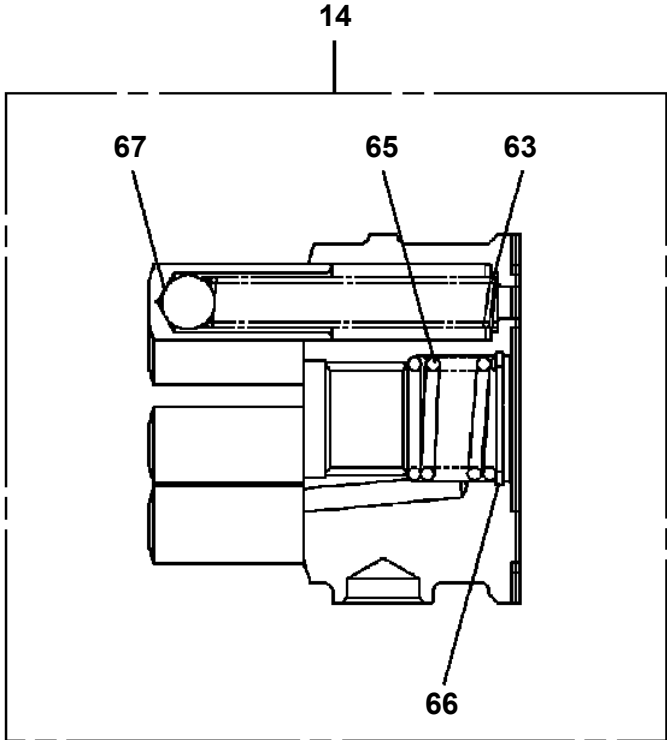
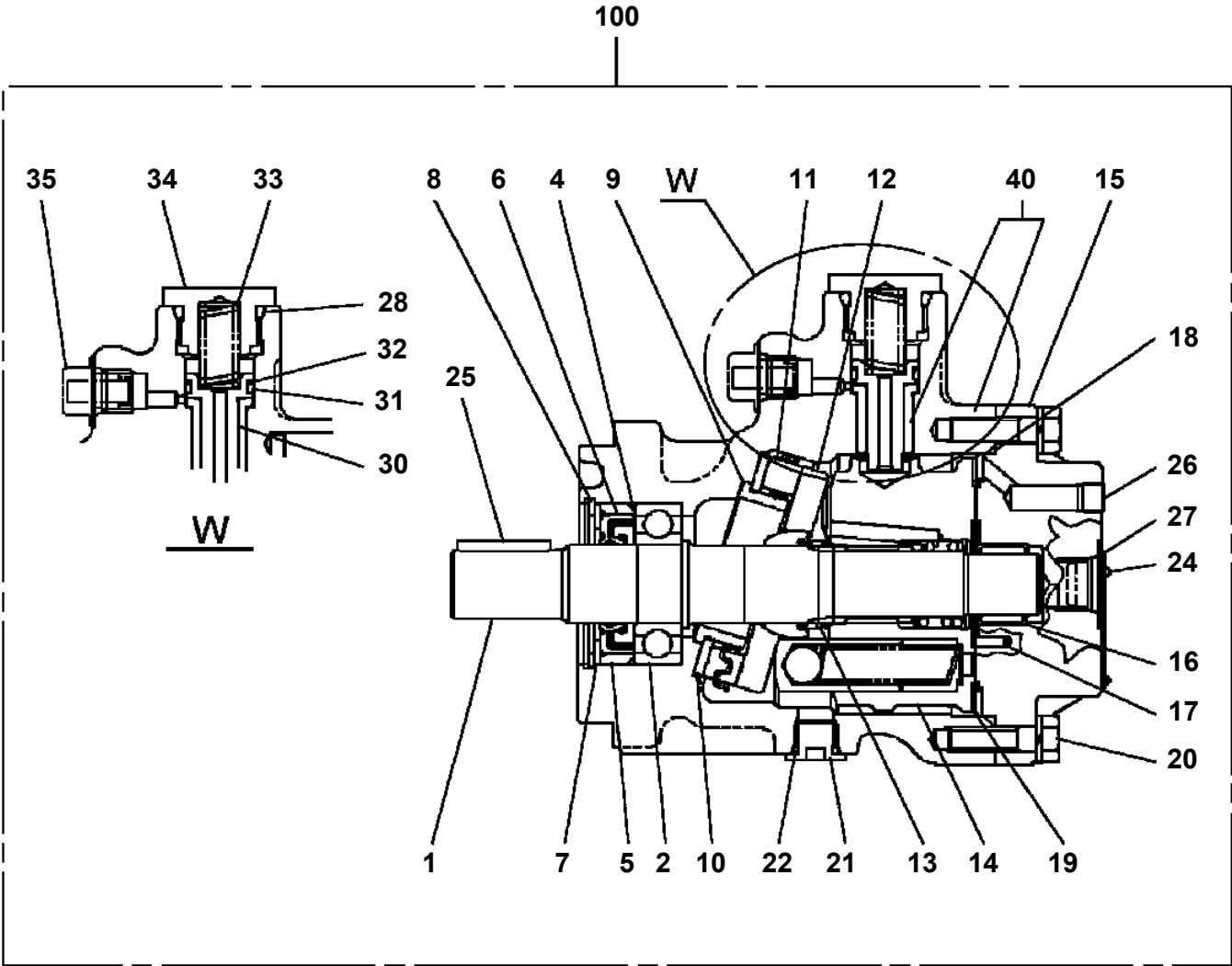
TM-ZR260 41108210311A FRAME/STD,REMOTE-RADIO CONT.,HOOK-IN
PK1011376-00 FRAME



TM-ZR260 41108210311A FRAME/STD,REMOTE-RADIO CONT.,HOOK-IN

| Pos No. | Parts No | Parts Name | Qty | Unit | Technical Data | Serial No (Start) | Serial No (End) | Remarks |
|---------|-------------|---------------------|-----|------|----------------|-------------------|-----------------|---------|
| 1 | 37000147840 | PIN | 1 | | | | | |
| 2 | 80620210050 | PIN,SNAP | 1 | | | | | |
| 3 | 31323330100 | KNOB (BLACK) | 1 | | | | | |
| 4 | 31701580901 | LEVER | 1 | | | | | |
| 5 | 37000165740 | PIN | 1 | | | | | |
| 6 | 80136340020 | PIN,SPLIT | 1 | | 4X20 | | | |
| 7 | 90101210020 | BOLT | 1 | | M10X20 | | | |
| 8 | 31701581400 | SUPPORT | 1 | | | | | |
| 9 | 90131510020 | BOLT,HEXAGON SOCKET | 2 | | M10X20 | | | |
| 10 | 90302041001 | WASHER,SPRING | 4 | | 10 | | | |
| 11 | 90201201000 | NUT | 4 | | M10 | | | |
| 12 | 31701690200 | SUPPORT | 1 | | | | | |
| 13 | 90303071201 | WASHER,PLAIN | 2 | | 12 | | | |

TM-ZR260 41108210311A FRAME/STD,REMOTE-RADIO CONT.,HOOK-IN
PM5230002-00 MOTOR,OIL



TM-ZR260 41108210311A FRAME/STD,REMOTE-RADIO CONT.,HOOK-IN

| Pos No. | Parts No | Parts Name | Qty | Unit | Technical Data | Serial No (Start) | Serial No (End) | Ren |
|---------|-------------|----------------------------|-----|------|----------------|-------------------|-----------------|-----|
| 1 | 31477311300 | HARNESS | 1 | | | | | |
| 2 | 91810130240 | FASTENER | 6 | | | | | |
| 3 | 31477311200 | SWITCH ASSY (PLATING:NACC) | 1 | | | | | |
| 4 | 31477311100 | PLATE,NAME | 1 | | | | | |
| 5 | 82197518119 | CAP (PLUS ONE MFG./BLACK) | 1 | | | | | |
| | 82197518114 | CAP (MATSUSHITA/BLACK) | 1 | | | | | |
| 16 | 82100002832 | HOLDER,FUSE | 1 | | | | | |
| 17 | 82100000791 | FUSE | 1 | | 5A,6.5X30 | | | |

TM-ZR260 41108210311A FRAME/STD,REMOTE-RADIO CONT.,HOOK-IN

| Pos No. | Parts No | Parts Name | Qty | Unit | Technical Data | Serial No (Start) | Serial No (End) | Remarks | Pages |
|---------|-------------|----------------|-----|------|----------------|-------------------|-----------------|---------|-------|
| 2 | 80183308014 | SCREW,MACHINE | 8 | | M8X14 | | | | |
| 3 | 31270211700 | SUPPORT | 1 | | | | EY3899 | | |
| 4 | 90302041001 | WASHER,SPRING | 2 | | 10 | | | | |
| 5 | 90171110016 | BOLT | 2 | | M10X16 | | | | |
| 6 | 31270251200 | SUPPORT | 1 | | | | | | |
| 8 | 90186210014 | BOLT,FLANGE | 2 | | M10X14 | | | | |
| 9 | 90186208014 | BOLT,FLANGE | 3 | | M8X14 | | EY3899 | | |
| | 90186208014 | BOLT,FLANGE | 4 | | M8X14 | EY3900 | | | |
| 10 | 31270211300 | SUPPORT | 1 | | | | EY3899 | | |
| | 31270211300 | SUPPORT | 2 | | | EY3900 | | | |
| 11 | 31270212000 | CAP | 1 | | | | EY3899 | | |
| | 31270212000 | CAP | 2 | | | EY3900 | | | |
| 12 | 31270200100 | COVER | 1 | | | | | | |
| 13 | 82401800100 | PLUG (FOR M10) | 2 | | | | | | |
| 14 | 31270211100 | SUPPORT | 1 | | | EY3900 | | | |
| 31 | 31270230100 | COVER | 1 | | | | | | |
| 32 | 31270231200 | COVER (KOREA) | 1 | | | | | | |
| 41 | 31270230500 | COVER | 1 | | | | | | |
| 42 | 31270231600 | COVER (KOREA) | 1 | | | | | | |
| 51 | 31270210200 | COVER | 2 | | | | | | |
| 52 | 31270230600 | PLATE,NAME | 2 | | | | | | |
| 61 | 31270211400 | COVER (IP) | 2 | | | | | | |
| 62 | 31270230700 | PLATE,NAME | 2 | | | | | | |

TM-ZR260 41108210311A FRAME/STD,REMOTE-RADIO CONT.,HOOK-IN

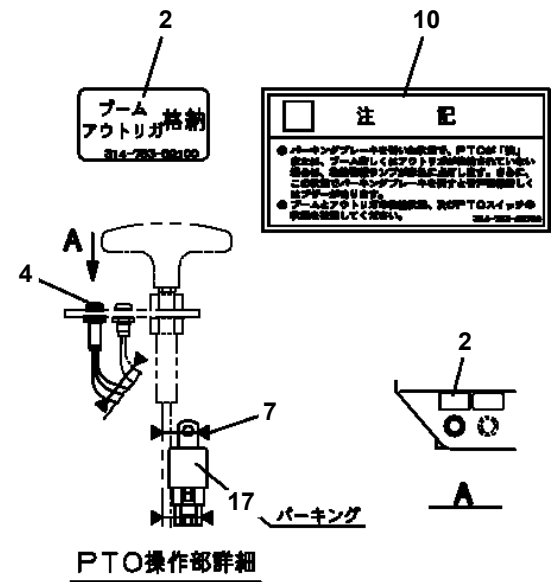
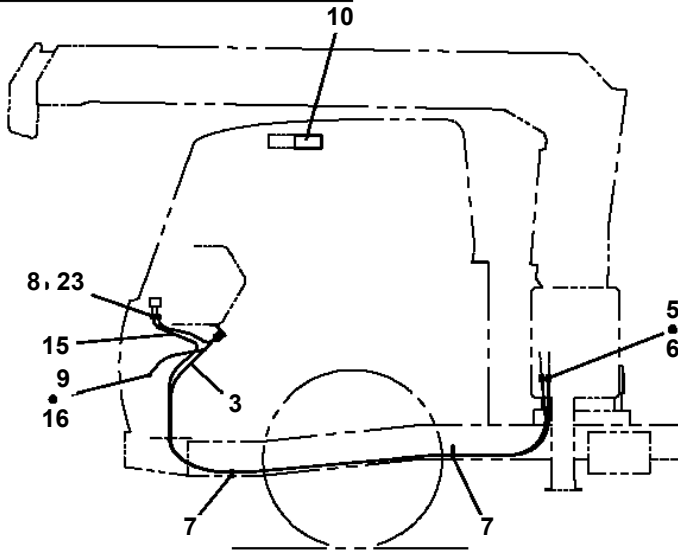
| Pos No. | Parts No | Parts Name | Qty | Unit | Technical Data | Serial No (Start) | Serial No (End) | Remarks | Pages |
|---------|-------------|------------|-----|------|----------------|-------------------|-----------------|---------|--------|
| 1 | 31361312100 | HARNESS | 1 | | | | | | 000143 |

TM-ZR260 41108210311A FRAME/STD,REMOTE-RADIO CONT.,HOOK-IN
PN1014201-01 ELEC.ASSY

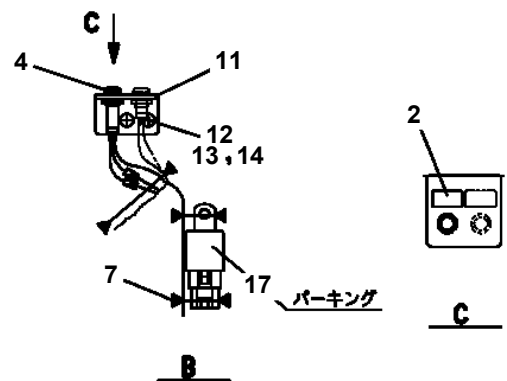
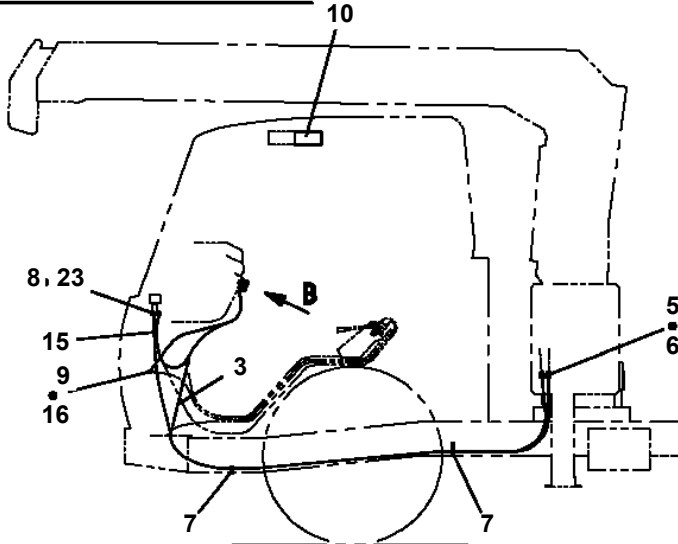
| | |
|-----------------|---|
| 指示番号 KEY NO. | ハイセンASSY (ソウコウロツクヨウ, O/Rカクノウラスレツイカパーツ) ELEC.ASSY |
| 1 | ハイセンASSY (アウトリカ*) ELEC.ASSY (OUTRIGGER) |
| 2 | ハイセンASSY (シャリヨウブ) ELEC.ASSY (CARRIER) |
| 4 | プレートASSY, ネーム PLATE ASSY, NAME |

TM-ZR260 41108210311A FRAME/STD,REMOTE-RADIO CONT.,HOOK-IN PN1014342-01 ELEC.ASSY (CARRIER)

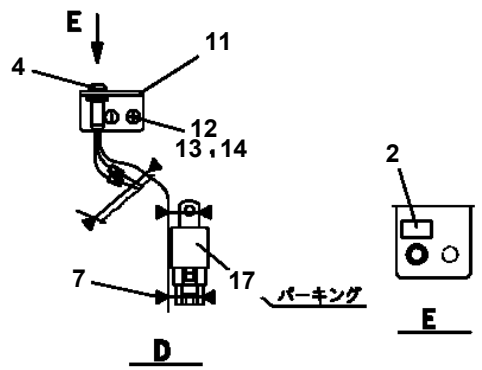
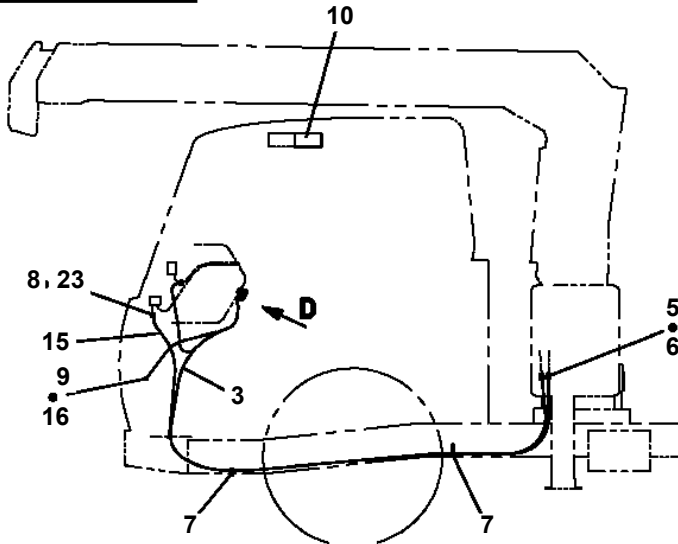
PTOレバーがハンドル横にある場合



PTOレバーが座席横にある場合



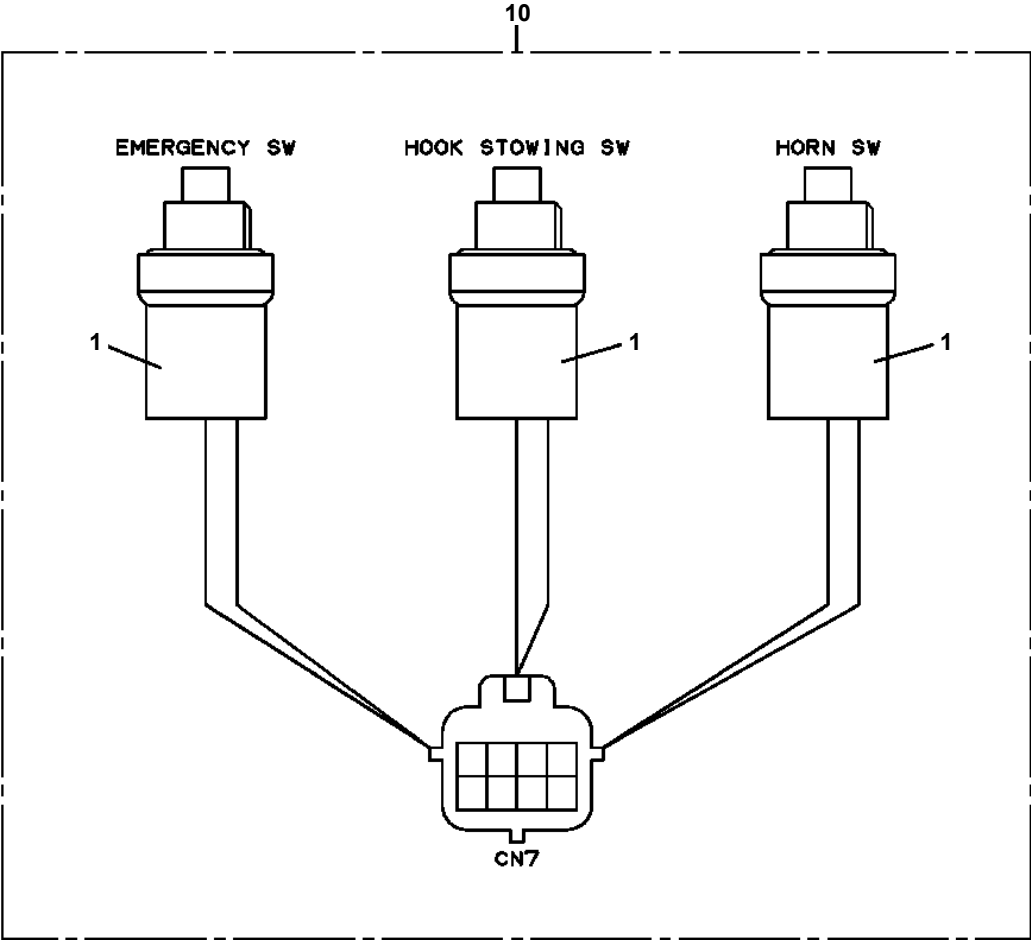
純正PTO付きの場合



**TM-ZR260 41108210311A FRAME/STD,REMOTE-RADIO CONT.,HOOK-IN
PN1080229-00 LAMP (MOUNT,POST/24V-60W)**

| | |
|---|--------------------------------------|
| 1 | ハイセンASSY (ロー) ELEC. ASSY (LOWER) |
| 2 | ハイセンASSY (アツパ) ELEC. ASSY (UPPER) |

**TM-ZR260 41108210311A FRAME/STD,REMOTE-RADIO CONT.,HOOK-IN
PN1140226-00 SWITCH ASSY (PLATING:NACC)**



TM-ZR260 41108210311A FRAME/STD,REMOTE-RADIO CONT.,HOOK-IN

| Pos No. | Parts No | Parts Name | Qty | Unit | Technical Data | Serial No (Start) | Serial No (End) | Remarks | P |
|---------|-------------|---------------------|-----|------|----------------|-------------------|-----------------|---------|---|
| 1 | 36160935010 | CASE | 1 | | | | | | |
| 2 | 31370005020 | PLATE (BASE) | 1 | | | | | | |
| 3 | 31370005030 | PACKING | 1 | | | | | | |
| 4 | 31370005040 | SPRING ASSY | 1 | | | | | | |
| 5 | 36130515020 | RING ASSY (CONTACT) | 1 | | | | | | |
| 6 | 32360005060 | CONTACTOR ASSY | 1 | | | | | | |
| 7 | 36160935020 | CONTACTOR ASSY | 1 | | | | | | |
| 8 | 31370005070 | GROMMET | 1 | | | | | | |
| 9 | 31370005080 | GUIDE (CORD) | 1 | | | | | | |
| 11 | 36160935030 | WASHER | 2 | | | | | | |
| 25 | 33371297520 | LOCK (CORD) | 1 | | | | | | |
| 26 | 36130825070 | TUBE | 1 | | | | | | |
| 27 | 36160325010 | COLLAR | 1 | | | | | | |
| 41 | 36131935100 | CORD (2-LINE) | 3 | M | | | | | |
| 100 | 36161340000 | REEL,CORD | 1 | | | | | | |

TM-ZR260 41108210311A FRAME/STD,REMOTE-RADIO CONT.,HOOK-IN

| Pos No. | Parts No | Parts Name | Qty | Unit | Technical Data | Serial No (Start) | Serial No (End) | Remarks | Pages |
|---------|-------------|---------------|-----|------|----------------|-------------------|-----------------|---------|-------|
| 1 | 37002214740 | PLATE,NAME | 1 | | | | | | |
| 2 | 31395260100 | PLATE,CAUTION | 1 | | | | | | |

TM-ZR260 41108210311A FRAME/STD,REMOTE-RADIO CONT.,HOOK-IN

| Pos No. | Parts No | Parts Name | Qty | Unit | Technical Data | Serial No (Start) | Serial No (End) | Remarks | Pages |
|---------|-------------|---------------|-----|------|----------------|-------------------|-----------------|---------|-------|
| 1 | 31477165100 | PLATE,CAUTION | 1 | | | | | | |

TM-ZR260 41108210311A FRAME/STD,REMOTE-RADIO CONT.,HOOK-IN

| Pos No. | Parts No | Parts Name | Qty | Unit | Technical Data | Serial No (Start) | Serial No (End) | Remarks | Pages |
|---------|-------------|------------|-----|------|----------------|-------------------|-----------------|---------|-------|
| 1 | 31477441100 | PLATE,NAME | 2 | | | | | | |

TM-ZR260 41108210311A FRAME/STD,REMOTE-RADIO CONT.,HOOK-IN

| Pos No. | Parts No | Parts Name | Qty | Unit | Technical Data | Serial No (Start) | Serial No (End) |
|---------|-------------|--------------------------------|-----|------|----------------|-------------------|-----------------|
| 1 | 31490983100 | PLATE,NAME | 1 | | | | |
| 2 | 31490983200 | PLATE,NAME | 1 | | | | |
| 3 | 31490983300 | PLATE,NAME | 2 | | | | |
| 4 | 31490983400 | PLATE,NAME | 1 | | | | |
| 5 | 37002222180 | PLATE,NAME (ZR262,CARGO CRANE) | 2 | | | | |
| 6 | 31390040010 | INDICATOR | 2 | | | | |
| 7 | 90190000060 | BOLT | 2 | | M10X16 | | |

TM-ZR260 41108210311A FRAME/STD,REMOTE-RADIO CONT.,HOOK-IN

| Pos No. | Parts No | Parts Name | Qty | Unit | Technical Data | Serial No (Start) | Serial No (End) |
|---------|-------------|--------------------------------|-----|------|----------------|-------------------|-----------------|
| 1 | 31491001100 | PLATE,NAME | 1 | | | | |
| 2 | 31491001200 | PLATE,NAME | 1 | | | | |
| 3 | 31491001300 | PLATE,NAME | 2 | | | | |
| 4 | 31491001400 | PLATE,NAME | 1 | | | | |
| 5 | 37002222200 | PLATE,NAME (ZR264,CARGO CRANE) | 2 | | | | |
| 6 | 31390040010 | INDICATOR | 2 | | | | |
| 7 | 90190000060 | BOLT | 2 | | M10X16 | | |

TM-ZR260 41108210311A FRAME/STD,REMOTE-RADIO CONT.,HOOK-IN

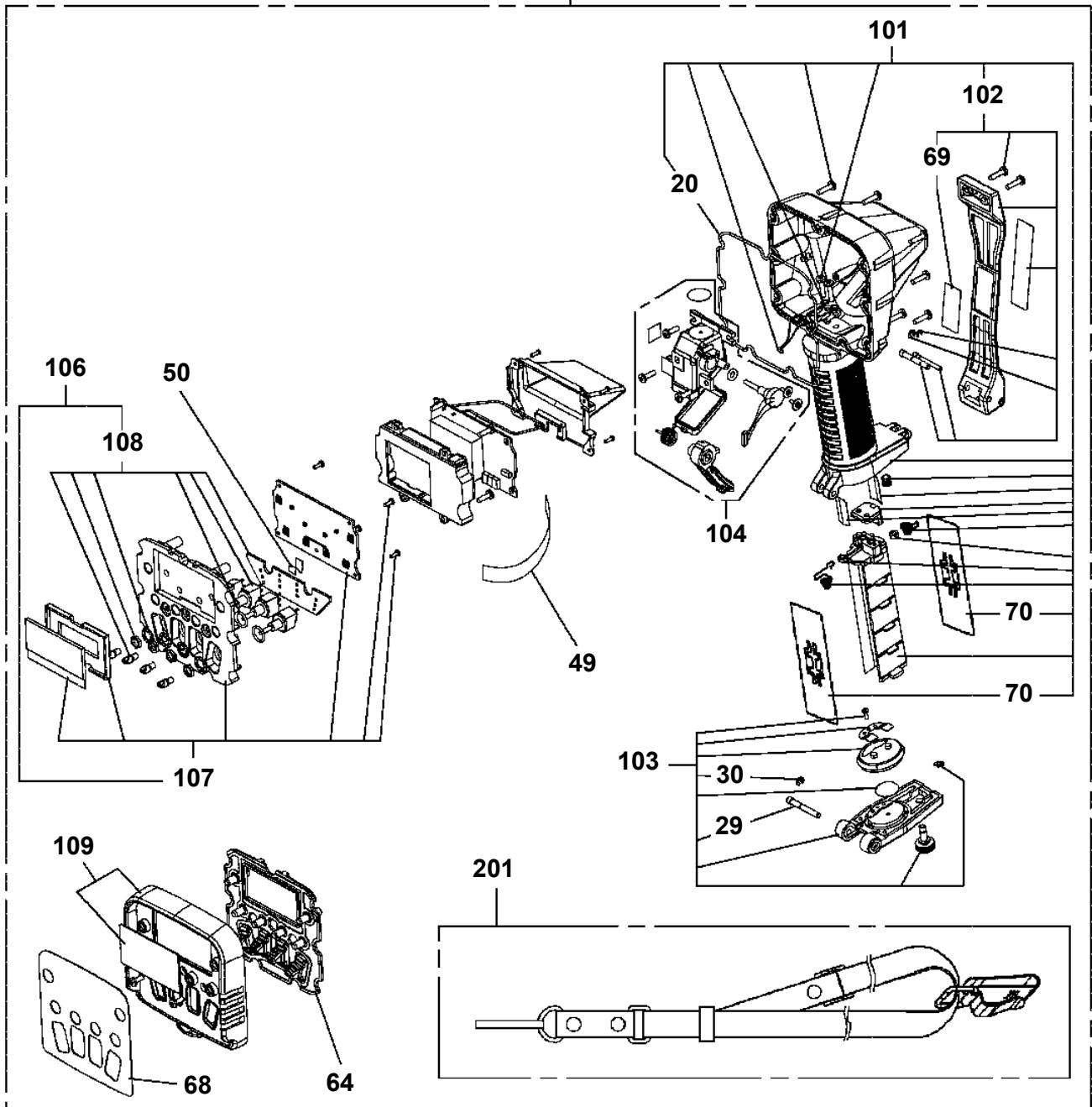
| Pos No. | Parts No | Parts Name | Qty | Unit | Technical Data | Serial No (Start) | Serial No (End) | Remarks |
|---------|----------|-------------------------|-----|------|----------------|-------------------|-----------------|---------|
| 1 | (*****) | RADIO CONTROL (KIT:LED) | 1 | | | | | |
| 2 | (*****) | REMOTE CONTROL (KIT) | 1 | | | | | |

TM-ZR260 41108210311A FRAME/STD,REMOTE-RADIO CONT.,HOOK-IN

| Pos No. | Parts No | Parts Name | Qty | Unit | Technical Data | Serial No (Start) | Serial No (End) |
|---------|-------------|-----------------------------|-----|------|----------------|-------------------|-----------------|
| 1 | 36645495280 | BOLT,TIE | 1 | | | | |
| 2 | 36645495290 | BOLT,TIE (A) | 3 | | | | |
| 3 | 90201200800 | NUT | 4 | | M8 | | |
| 4 | 36648365010 | COVER (FRONT) | 1 | | | EY3870 | EY3869 |
| | 36741810060 | COVER (FRONT) | 1 | | | | |
| 5 | 36647975040 | BOLT,TIE (C) | 1 | | | | |
| 6 | 36648365020 | VALVE,CONTROL (TELESCOPING) | 1 | | | | |
| 7 | 36648365030 | VALVE,CONTROL (WINCH) | 1 | | | | |
| 8 | 36648365040 | VALVE,CONTROL (ELEVATING) | 1 | | | | |
| 9 | 36648365050 | VALVE,CONTROL (SWING) | 1 | | | | |
| 10 | 36648365060 | VALVE,CONTROL (JACK 2) | 1 | | | | |
| 11 | 36648365070 | VALVE,CONTROL (JACK 1) | 1 | | | | |
| 12 | 91002905500 | O-RING | 2 | | 1B G55 | | |
| 13 | 36641555090 | COVER (BOTTOM) | 1 | | | | |
| 14 | 80720104012 | PIN,SPRING | 1 | | 4X12 | | |
| 15 | 36644835061 | COVER | 1 | | | | |
| 16 | 90203200800 | NUT | 5 | | M8 | | |
| 17 | 36645495300 | VALVE,SOLENOID | 1 | | | | |
| 18 | 36645615230 | C-BOLT | 4 | | 5X12 | | |
| 21 | 36649075060 | CAM | 4 | | | | |
| 22 | 36646865110 | SCREW,SET | 4 | | | | |
| 23 | 36649075050 | SWITCH ASSY | 2 | | | | |
| 24 | 36647125090 | SCREW,MACHINE | 4 | | M2.3X14 | | |
| 25 | 36646575070 | PLATE | 2 | | | | |
| 26 | 36647125100 | NUT | 4 | | M2.3 | | |
| 27 | 36645405050 | BUSH | 2 | | | | |
| 28 | 36646575080 | COVER | 2 | | | | |
| 29 | 80172104006 | SCREW,MACHINE | 6 | | M4X6 | | |
| 30 | 36645405060 | TUBE | 2 | | | | |
| 31 | 36648365080 | HARNESS ASSY (SWITCH) | 1 | | | | |
| 32 | 36644015120 | CONNECTOR | 5 | | | | |
| 33 | 36644015130 | TUBE | 7 | | | | |
| 34 | 11615111410 | BAND | 13 | | | | |
| 35 | 36644015080 | BOX | 1 | | | | |
| 36 | 36644015150 | URETHANE (ROOL STOCK) | 4 | | | | |
| 37 | 36644015140 | COVER | 1 | | | | |
| 38 | 80172105008 | SCREW,MACHINE | 2 | | M5X8 | | |
| 39 | 36648365090 | HARNESS ASSY (LVDT) | 1 | | | | |
| 40 | 36649585250 | HARNESS ASSY (SOLENOID) | 1 | | | | |
| 41 | 36649585260 | HARNESS | 1 | | | | |
| 42 | 36644015110 | CONNECTOR | 2 | | | | |
| 43 | 36640625140 | TUBE | 1 | | 12B | | |
| 44 | 36646865070 | CLIP | 1 | | | | |
| 45 | 90303070801 | WASHER,PLAIN | 1 | | 8 | | |
| 46 | 90302040801 | WASHER,SPRING | 1 | | 8 | | |
| 47 | 90101208012 | BOLT | 1 | | M8X12 | | |
| 48 | 36644015070 | COVER | 1 | | | | |
| 49 | 36645405150 | SCREW,MACHINE | 4 | | M3X5 | | |
| 50 | 36645405160 | BAND | 2 | | | EY3870 | EY3869 |
| | 36740765040 | BAND | 2 | | | | |
| 51 | 36646865060 | FASTENER | 2 | | | | |
| 52 | 36647855190 | SCREW,MACHINE | 2 | | M5X12 | | |
| 53 | 36646875100 | TUBE | 1 | | 15 | | |
| 58 | 91001101100 | O-RING | 2 | | 1A P11 | | |
| 59 | 36644115130 | PLUG | 2 | | | | |
| 60 | 36640755070 | CAP | 5 | | | | |
| 61 | 36645405080 | LABEL (CAUTION) | 1 | | | | |
| 81 | 36648365170 | COVER (FRONT) | 1 | | | | EY3869 |
| | 36648365171 | COVER (FRONT SUB) | 1 | | | EY3870 | |
| 82 | 36648375020 | BALL,STEEL | 16 | | 3/16 | | |
| 83 | 36646875110 | COCK | 1 | | | | |
| 84 | 36660495110 | PLUG | 1 | | | | |
| 85 | 80560057000 | BALL,STEEL | 2 | | 1/4 | | |

TM-ZR260 41108210311A FRAME/STD,REMOTE-RADIO CONT.,HOOK-IN
PV1030105-04 SWITCH BOX

300



注意

1. 本体分解時には、指示番号20の「Oリング (ケース)」を併せて注文ください。
2. お送りする「ラベル (コクイン)」には製造番号は印字されていないので記入してください。

NOTICE

1. When disassembling the main unit, order a key No.20 [O-RING(CASE)] beforehand.
2. Serial No.is not stamped on the 「 LABEL(SELIAL)」 before shipment. Fill in the blank by yourself.

TM-ZR260 41108210311A FRAME/STD,REMOTE-RADIO CONT.,HOOK-IN

| Pos No. | Parts No | Parts Name | Qty | Unit | Technical Data | Serial No (Start) | Serial No |
|---------|------------------|-------------------------------------|-----|------|----------------|-------------------|-----------|
| 1 | 36804912000 | ANTENNA (FOR RADIO CONTROL) | 1 | | | | |
| 2 | 36804913000 | SWITCH BOX (RADIO CONTROL,LED TYPE) | 1 | | | | |
| 3 | (***** *****) | ELEC.ASSY (ANTENNA) | 1 | | | | |
| 4 | 36804914000 | BOX,STOWING | 1 | | | | |

TM-ZR260 41108210311A FRAME/STD,REMOTE-RADIO CONT.,HOOK-IN

| Pos No. | Parts No | Parts Name | Qty | Unit | Technical Data | Serial No (Start) | Serial No (End) | Remarks | Pages |
|---------|-------------|-------------|-----|------|----------------|-------------------|-----------------|---------|-------|
| 10 | 36804914000 | BOX,STOWING | 1 | | | | | | |

TM-ZR260 41108210311A FRAME/STD,REMOTE-RADIO CONT.,HOOK-IN

| Pos No. | Parts No | Parts Name | Qty | Unit | Technical Data | Serial No (Start) | Serial No (End) | F |
|---------|-------------|-----------------------------|-----|------|----------------|-------------------|-----------------|---|
| 10 | 36804912000 | ANTENNA (FOR RADIO CONTROL) | 1 | | | | | |

TM-ZR260 41108210311A FRAME/STD,REMOTE-RADIO CONT.,HOOK-IN

| Pos No. | Parts No | Parts Name | Qty | Unit | Technical Data | Serial No (Start) |
|---------|-------------|--|-----|------|----------------|-------------------|
| 1 | (*****) | REMOTE CONTROL (KIT:FOR RCS-FC1) | 1 | | | |
| 2 | (*****) | RADIO CONTROL (KIT:RCS-FC1) | 1 | | | |
| | (*****) | RADIO CONTROL (KIT:LCD) | 1 | | | |
| | (*****) | RADIO CONTROL (KIT:LED) | 1 | | | |
| | (*****) | RADIO CONTROL | 1 | | | |
| 3 | 36800280000 | CABLE,REMOTE CONTROL (T,OPTION 20M) | 1 | | | |
| | (*****) | CABLE (ANTENNA 2M) | 1 | | | |
| | 36805780000 | CABLE (F-REMOTE CONTROL,20M) | 1 | | | |
| 4 | 36802760000 | ANTENNA (15M.TRAVELLING TYPE C,D,E) | 1 | | | |
| 5 | (*****) | LAMP (MOUNT,BOOM/24V-45W) | 1 | | | |
| | (*****) | LAMP (MOUNT,POST/24V-60W) | 1 | | | |
| | (*****) | LAMP (WORKING,AC100V300W) | 1 | | | |
| 6 | (*****) | ALARM SYSTEM | 1 | | | |
| | (*****) | ALARM SYSTEM | 1 | | | |
| 7 | (*****) | ALARM ASSY | 1 | | | |
| 8 | (*****) | ALARM ASSY | 1 | | | |
| | (*****) | ALARM ASSY | 1 | | | |
| 9 | 36802951000 | CHARGER,BATTERY | 1 | | | |
| 10 | (*****) | ELEC.ASSY (CONVERTER DC24V-AC100V) | 1 | | | |
| 11 | (*****) | JOINT,ROTARY (RING ASSY,SLIP) | 1 | | | |
| 12 | (*****) | PARTS,AWL (2-4 SECT./RADICON OR MH) | 1 | | | |
| | (*****) | PARTS,AWL (5,6 SECT./RADICON OR MH) | 1 | | | |
| 13 | (*****) | LOCK ASSY | 1 | | | |
| 14 | (*****) | LOCK ASSY | 1 | | | |
| 15 | (*****) | ELEC.ASSY | 1 | | | |
| 16 | (*****) | ELEC.ASSY | 1 | | | |
| 17 | (*****) | PLATE ASSY,NAME (FOR FIXING AWL) | 1 | | | |
| 18 | (*****) | ELEC.ASSY (AWL LAMP/STOP TO CONFIGURATION) | 1 | | | |

TM-ZR260 41108210311A FRAME/STD,REMOTE-RADIO CONT.,HOOK-IN

| Pos No. | Parts No | Parts Name | Qty | Unit | Technical Data | Serial No (Start) |
|---------|----------|--|-----|------|----------------|-------------------|
| 1 | (*****) | ALARM SYSTEM (BOOM HARNESS) | 1 | | | |
| 2 | (*****) | ELEC.ASSY (CARRIER) | 1 | | | |
| 4 | (*****) | PLATE ASSY,NAME (BOOM,ELEV. STOWING FAILURE) | 1 | | | |

CLICK HERE TO **DOWNLOAD** THE COMPLETE MANUAL

- Thank you very much for reading the preview of the manual.
- You can download the complete manual from: www.heydownloads.com by clicking the link below



- Please note: If there is no response to CLICKING the link, please download this PDF first and then click on it.

CLICK HERE TO **DOWNLOAD** THE COMPLETE MANUAL