

TM-ZE500 41050501116A FRAME/HOOK-IN

PB000221-01 SYSTEM (ZE500,DOMESTIC)

ASSEMBLY

CLICK HERE TO **DOWNLOAD** THE COMPLETE MANUAL

- Thank you very much for reading the preview of the manual.
- You can download the complete manual from: www.heydownloads.com by clicking the link below



- Please note: If there is no response to CLICKING the link, please download this PDF first and then click on it.

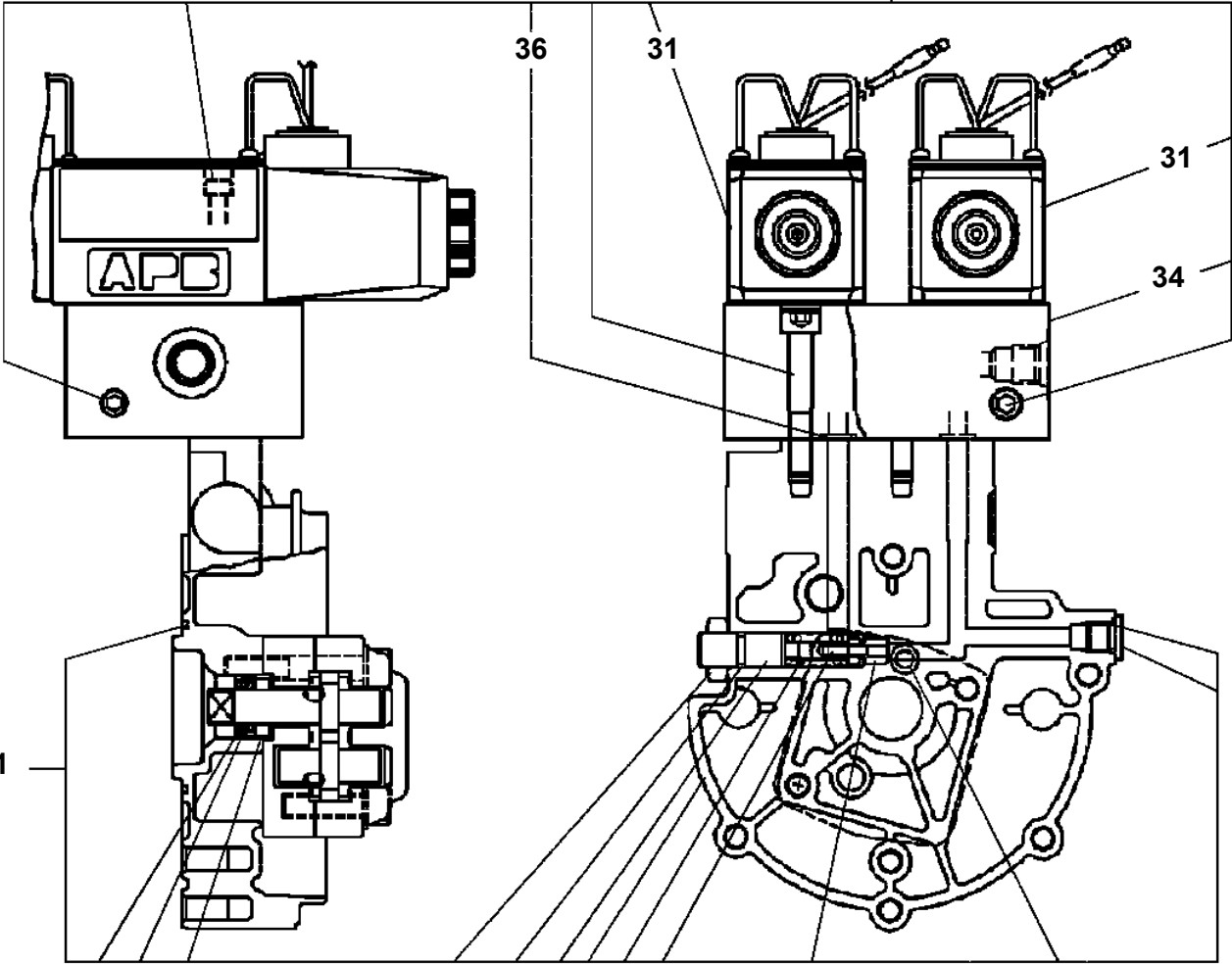
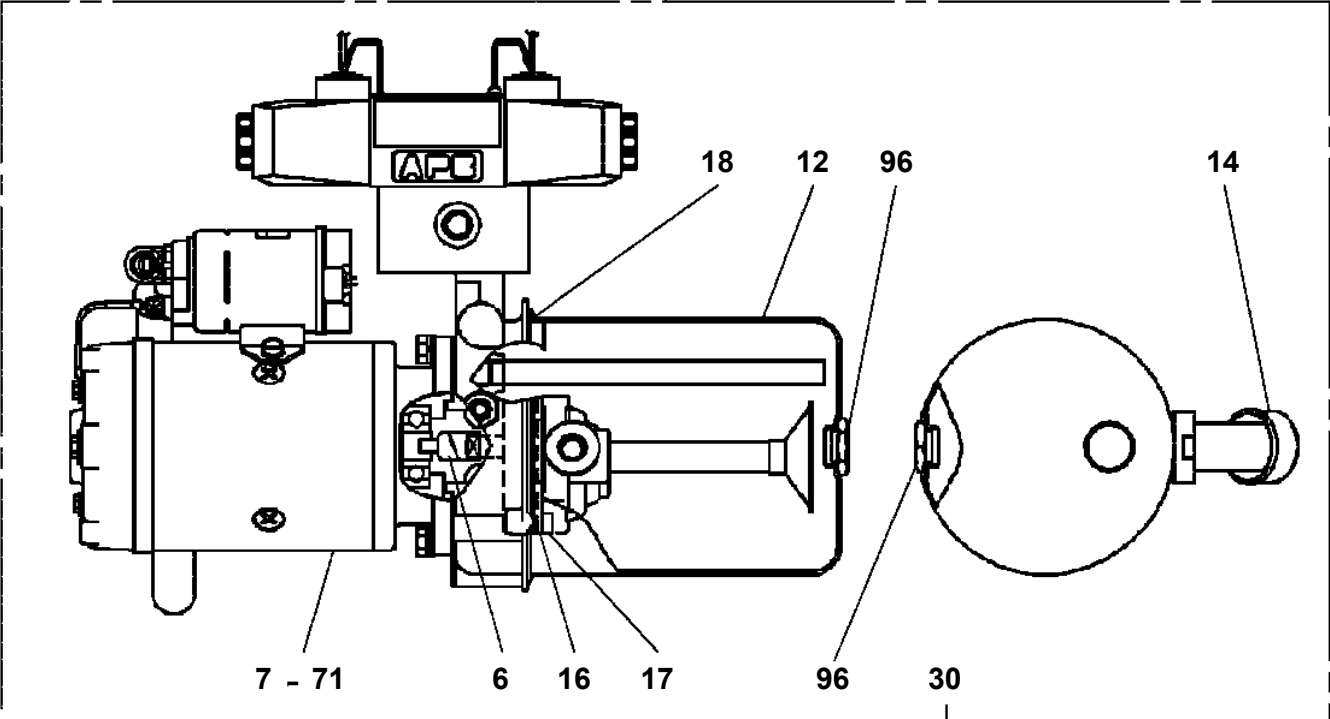
CLICK HERE TO **DOWNLOAD** THE COMPLETE MANUAL

**TM-ZE500 41050501116A FRAME/HOOK-IN
PB1130277-00 TANK,OIL (LARGE AMOUNT)**

1	タンク,オイル TANK,OIL
2	パイピング,ロー PIPING,LOWER

TM-ZE500 41050501116A FRAME/HOOK-IN
PB1380261-01 POWER SUPPLY (REAR JACK)

100



TM-ZE500 41050501116A FRAME/HOOK-IN

Pos No.	Parts No	Parts Name	Qty	Unit	Technical Data	Serial No (Start)	Serial No (End)	Remarks	Pages
1	81408000100	PIPE,STEEL	1	M	10X1.2T				000010
2	31644592100	JOINT,ROTARY	1						
3	90280200800	NUT,FLANGE	1		M8				
4	90303070801	WASHER,PLAIN	1		8				
5	80302090101	FITTING	1		KCO10-020N				
6	91002801100	O-RING	1		1B P11				

TM-ZE500 41050501116A FRAME/HOOK-IN

Pos No.	Parts No	Parts Name	Qty	Unit	Technical Data	Serial No (Start)	Serial No (End)
1	36620990000	VALVE,PILOT CHECK	1				
2	90172110035	BOLT,HEXAGON SOCKET	2		M10X35		
3	90172110025	BOLT,HEXAGON SOCKET	4		M10X25		
4	90302041001	WASHER,SPRING	4		10		
5	36032940001	CYLINDER,JACK	1				
11	36030641000	CYLINDER	1				
14	36030644000	ROD	1				
15	91350207500	BEARING,PLAIN (WITH PACKINGX2)	2				
16	91002803400	O-RING	2		1B P34		
17	36032652000	PISTON	1				
18	36030643000	COVER,ROD	1				
19	91002907000	O-RING	2		1B G70		
20	91694006000	PACKING	2				
21	91410206002	RING,BACKUP	2				
22	36010130030	WASHER	1				
23	91660006000	SEAL,DUST	2				
24	80622000600	RING,RITAINING	1		SP60		
33	37001602080	NUT	1				
50	36032659900	PACKING SET	1		60X75		

TM-ZE500 41050501116A FRAME/HOOK-IN

Pos No.	Parts No	Parts Name	Qty	Unit	Technical Data	Serial No (Start)	Serial No (End)	Rem
1	37000921300	JOINT	2		S,PF1/4-PF1/4			
2	91002801100	O-RING	10		1B P11			
3	80303210060	FITTING,ELBOW	6					
4	81408000100	PIPE,STEEL	1	M	10X1.2T			
5	81408000100	PIPE,STEEL	1	M	10X1.2T			
6	81408000100	PIPE,STEEL	2	M	10X1.2T			
7	81408000100	PIPE,STEEL	1	M	10X1.2T			
8	80302090101	FITTING	2		KCO10-020N			
9	36672980001	POWER SUPPLY (REAR JACK)	1					
10	90172108018	BOLT,HEXAGON SOCKET	4		M8X18			
11	90302040801	WASHER,SPRING	5		8			
12	37005700130	CLAMP	2		10X2			
13	90101208060	BOLT	1		M8X60			
14	90303070801	WASHER,PLAIN	1		8			
15	90201200800	NUT	1		M8			

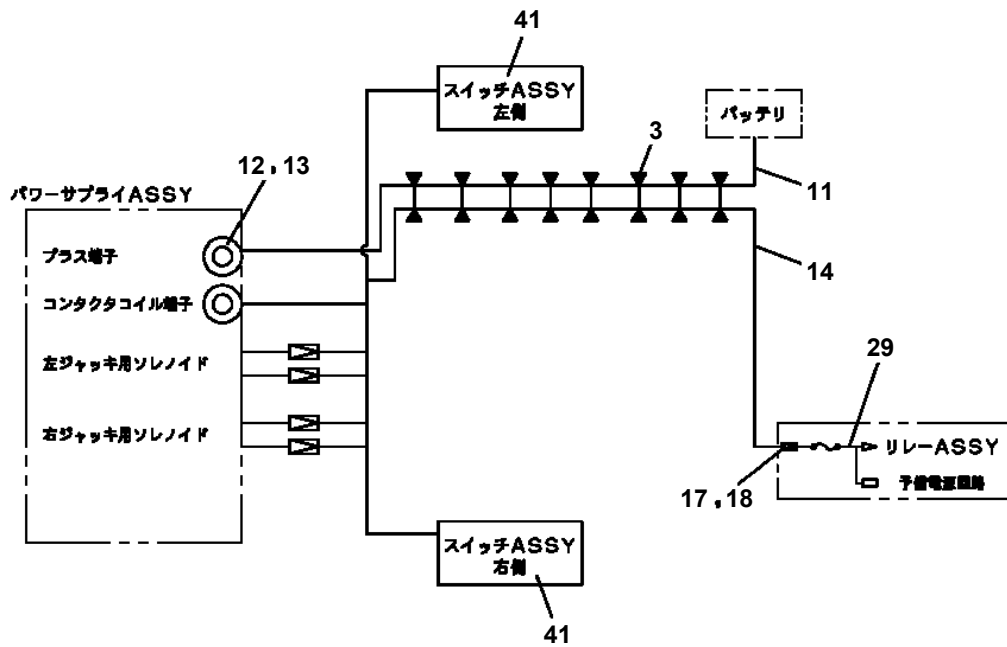
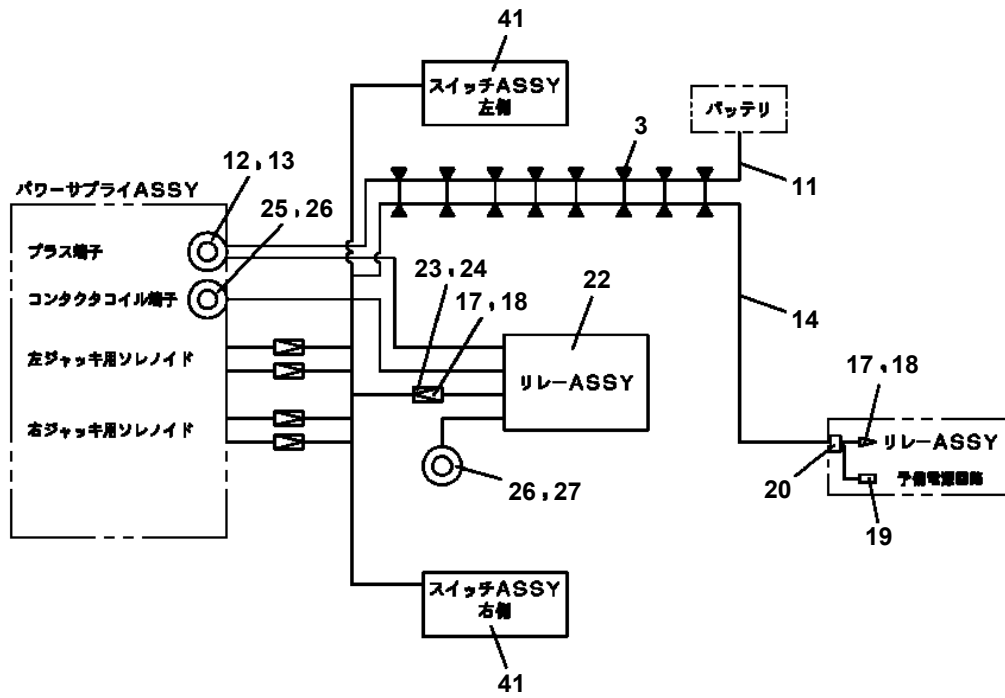
TM-ZE500 41050501116A FRAME/HOOK-IN

Pos No.	Parts No	Parts Name	Qty	Unit	Technical Data	Serial No (Start)	Serial No (End)
1	82456101000	NIPPLE,GREASE	2		A-PT1/8		
2	37000403110	BEARING,PLAIN	4				
3	36026221000	PISTON	1				
4	91350216000	BEARING,PLAIN (WITH PACKINGX2)	1				
5	91002910500	O-RING	1		1B G105		
6	36028209510	CYLINDER ASSY	1				
7	36026229520	ROD ASSY	1				
8	37000403900	BEARING,PLAIN	1				
9	91002815000	O-RING	1		1B P150		
10	36026469530	COVER,ROD	1				
11	91694111000	PACKING	1				
12	91410211002	RING,BACKUP	1				
13	91660011000	SEAL,DUST	1				
14	80622001100	RING,RITAINING	1		SP110		
15	80612111180	RING,RITAINING	1		AR118		
30	36028209900	PACKING SET	1		110X160		
50	36028200000	CYLINDER ASSY,DERRICK	1				

TM-ZE500 41050501116A FRAME/HOOK-IN

Pos No.	Parts No	Parts Name	Qty	Unit	Technical Data	Serial No (Start)	Serial No (End)	Remark
1	90171110040	BOLT	2		M10X40			
2	90302041001	WASHER,SPRING	2		10			
3	36606510002	VALVE,COUNTERBALANCE	1					
4	36028200000	CYLINDER ASSY,DERRICK	1					
5	82400000459	CAP	2					
6	80430620600	JOINT (WITH O-RING)	2		L,G3/8-G3/8			
21	91002801400	O-RING	2		1B P14			
50	31241460000	DERRICK ASSY	1					

TM-ZE500 41050501116A FRAME/HOOK-IN
PE5020077-03 ELEC.ASSY



ハーネス経路

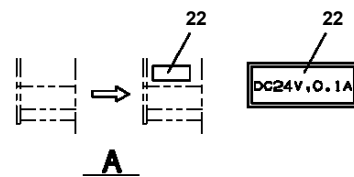
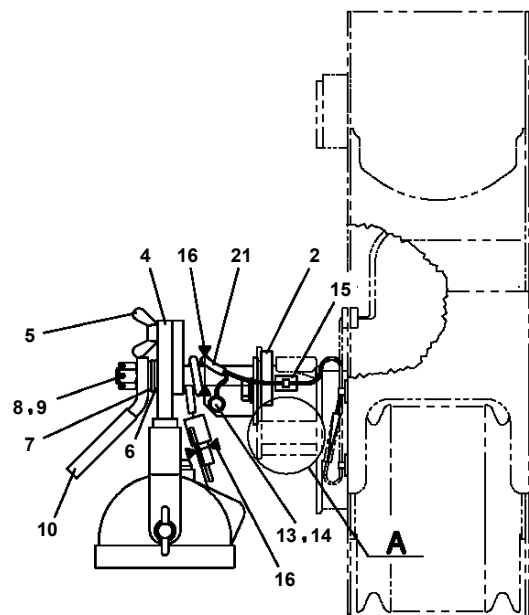
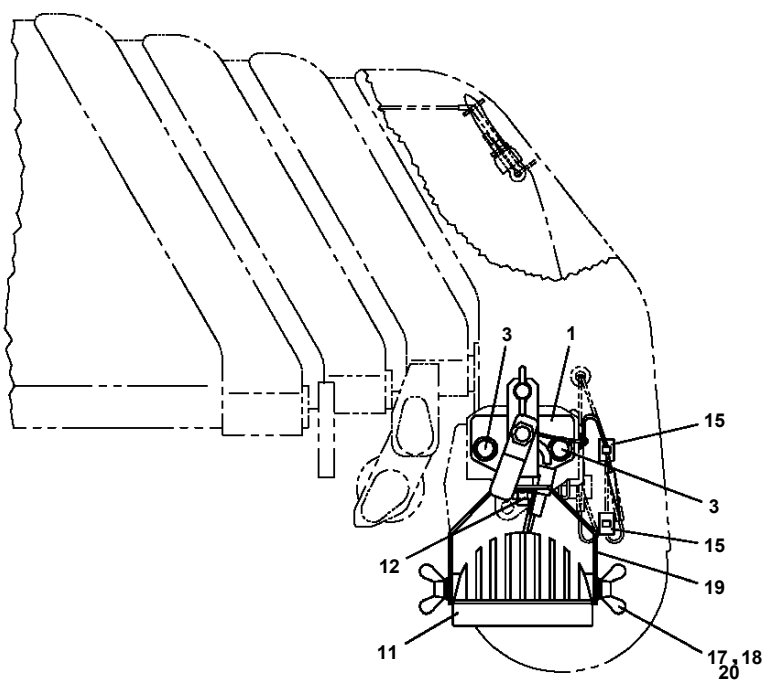
TM-ZE500 41050501116A FRAME/HOOK-IN

Pos No.	Parts No	Parts Name	Qty	Unit	Technical Data	Serial No (Start)	Serial No (End)	Remarks
1	31731612200	HARNESS	1		L=1450			
3	90186206014	BOLT,FLANGE	2		M6X14			
4	91850310405	CLAMP (BLACK)	5					
5	91810130250	FASTENER	5					
6	31502851200	HARNESS	1		L=310			
21	31656011200	COVER	1					
22	37002227560	PLATE,NAME (BLACK)	3		D=16			
24	90280200600	NUT,FLANGE	1		M6			
43	34354781720	RELAY (WITH HARNESS)	1					
45	80197586012	SCREW,MACHINE	1		M6X12			

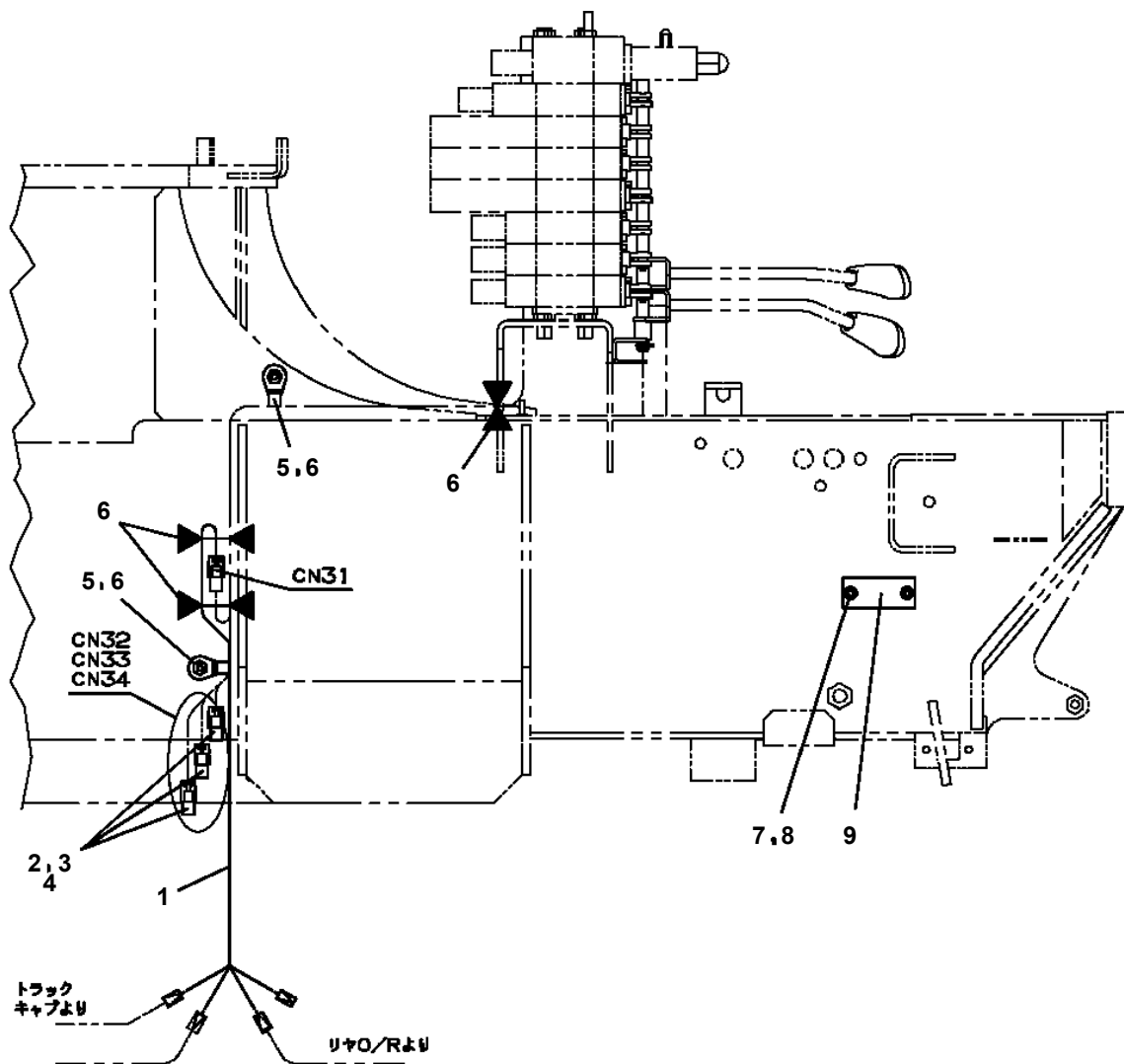
TM-ZE500 41050501116A FRAME/HOOK-IN

Pos No.	Parts No	Parts Name	Qty	Unit	Technical Data	Serial No (Start)	Serial No (End)	Remarks	Pages
1	31502531100	HARNESS	1						000153
2	82100002007	CLAMP	2		WRC10				
4	91810130240	FASTENER	11						
5	82100000182	INSULATOR	8						
6	82100000192	TERMINAL	8						
7	91850310405	CLAMP (BLACK)	5						

TM-ZE500 41050501116A FRAME/HOOK-IN
PE5020296-01 ELEC.ASSY (BOOM/LED LAMP)



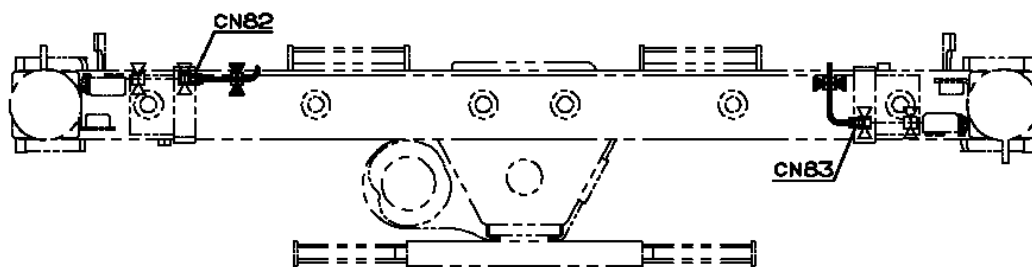
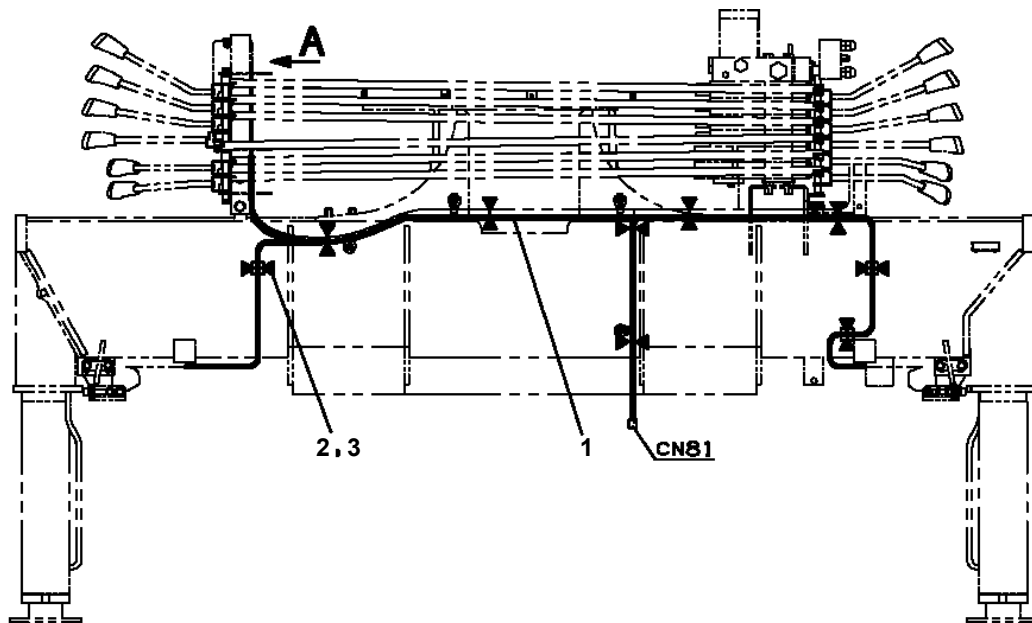
TM-ZE500 41050501116A FRAME/HOOK-IN
PE5020513-00 ELEC.ASSY (MAIN BODY OF CRANE)



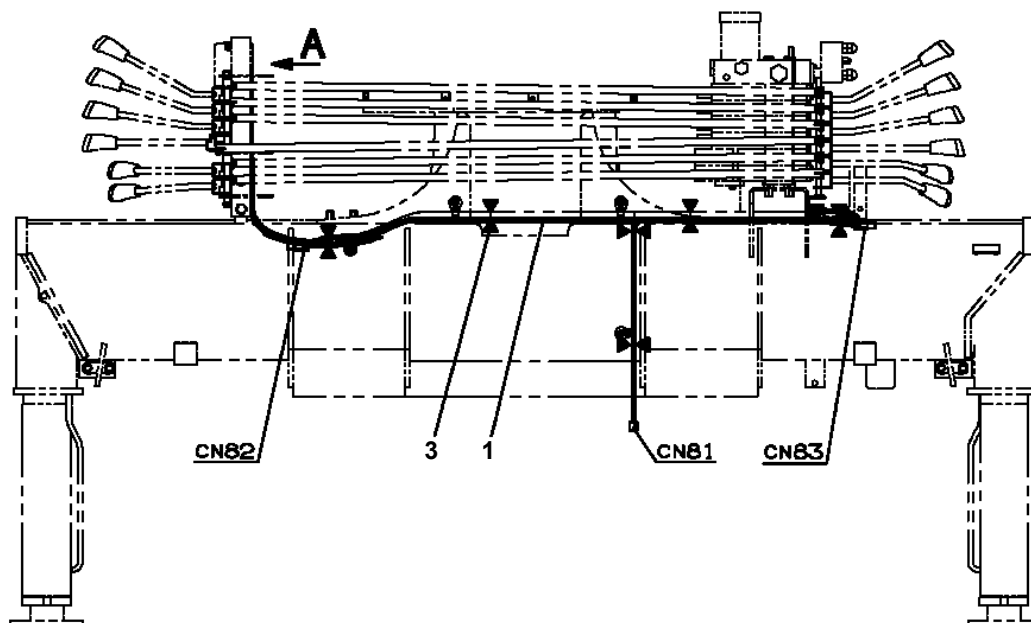
TM-ZE500 41050501116A FRAME/HOOK-IN

Pos No.	Parts No	Parts Name	Qty	Unit	Technical Data	Serial No (Start)	Serial No
1	31362393100	HARNESS	1				
3	90131506020	BOLT,HEXAGON SOCKET	4		M6X20		
4	36120580000	TRANSMITTER ASSY,SIGNAL (ASSY ONLY)	1				
5	91810130250	FASTENER	4				
7	90303070601	WASHER,PLAIN	5		6		
14	90101206014	BOLT	1		M6X14		
16	31504091100	PLUG	2				
17	31652991700	PLUG (4-POLES,FEMALE)	1				
18	31476751010	CONNECTOR	1				

TM-ZE500 41050501116A FRAME/HOOK-IN
PE5020752-00 ELEC.ASSY (HARNESS)

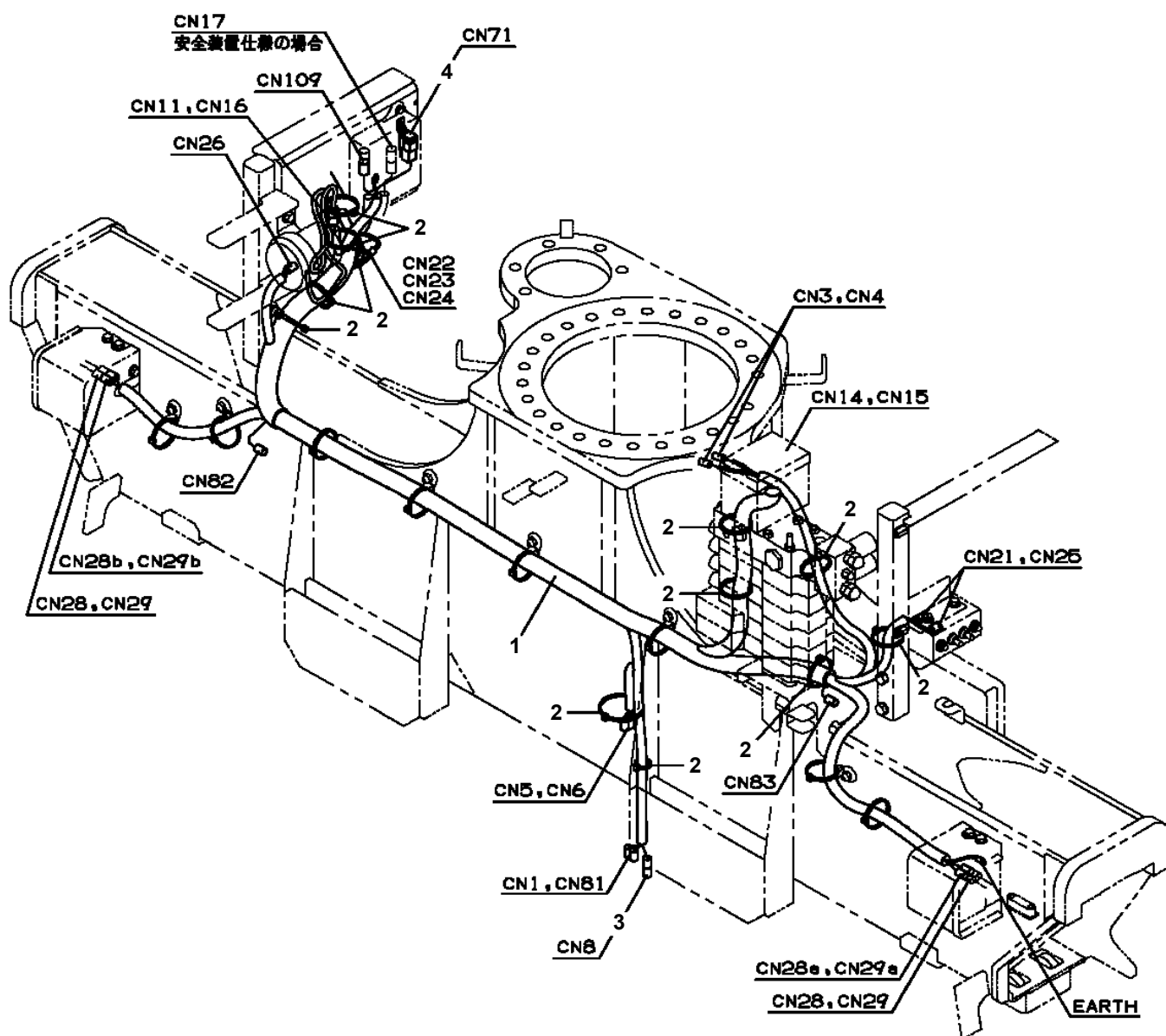


アウトリガ格納忘れ警報を取付ける場合



アウトリガ格納忘れ警報を取付けない場合

TM-ZE500 41050501116A FRAME/HOOK-IN
PE5020805-00 ELEC.ASSY



**TM-ZE500 41050501116A FRAME/HOOK-IN
PE5020881-00 ELEC.ASSY (DEAD TURNS DETECTOR:ZE500 FOR COMBINED USE)**

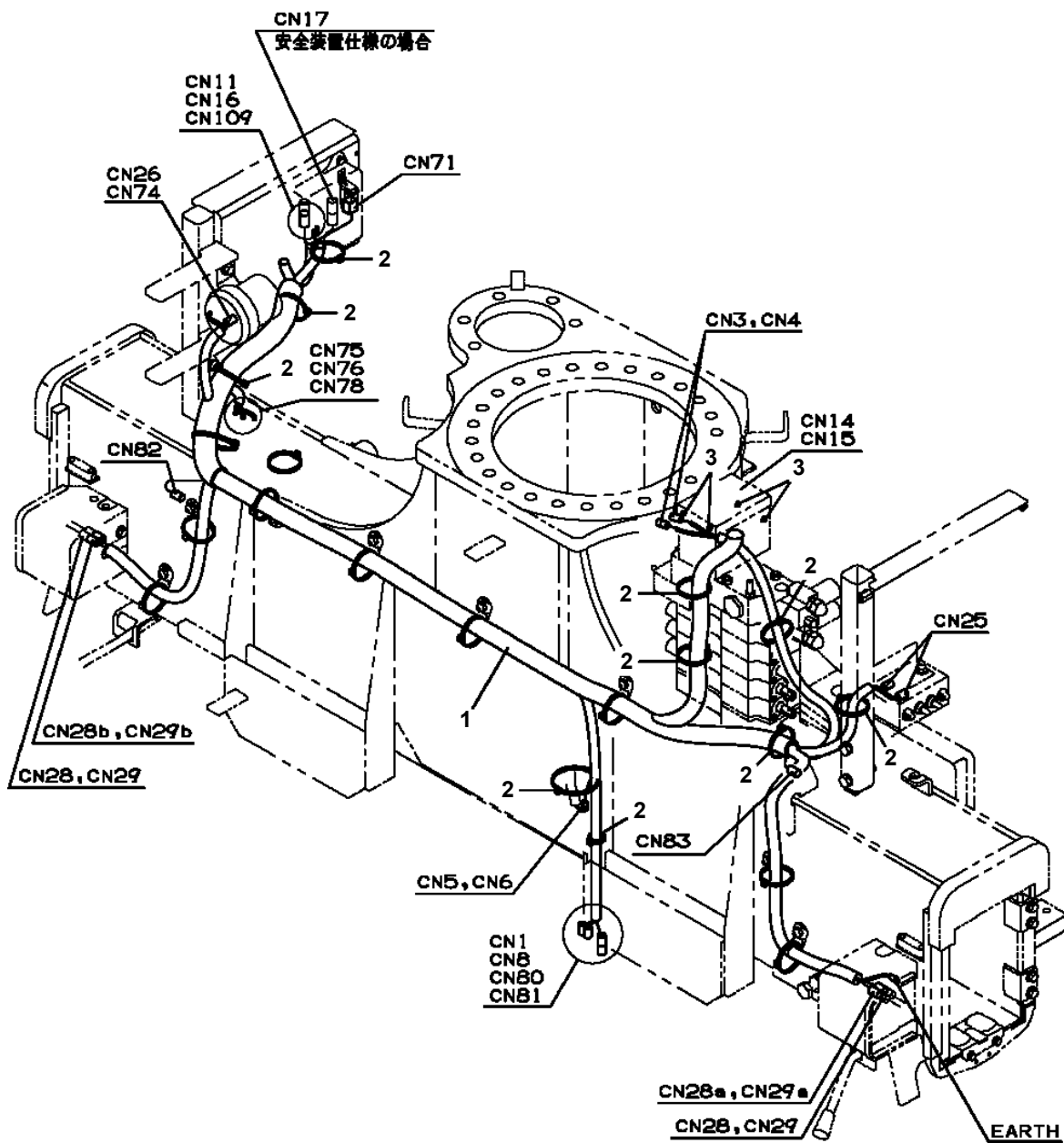
ハイセンASSY (ステマキケンシュツソウチ:ZE500シヨウメイヘイヨウ)
ELEC.ASSY (DEAD TURNS DETECTOR:ZE500
FOR COMBINED USE WITH ILLUMINATION)

指示番号 KEY NO.	部品名称 PART NAME	備考 REMARK
2	テ` イテクタ,テ` イソータ` リワイント` DETECTOR,DISORDERLY WIND	捨巻検出用
3	インジ` ケータASSY INDICATOR ASSY	捨巻検出器

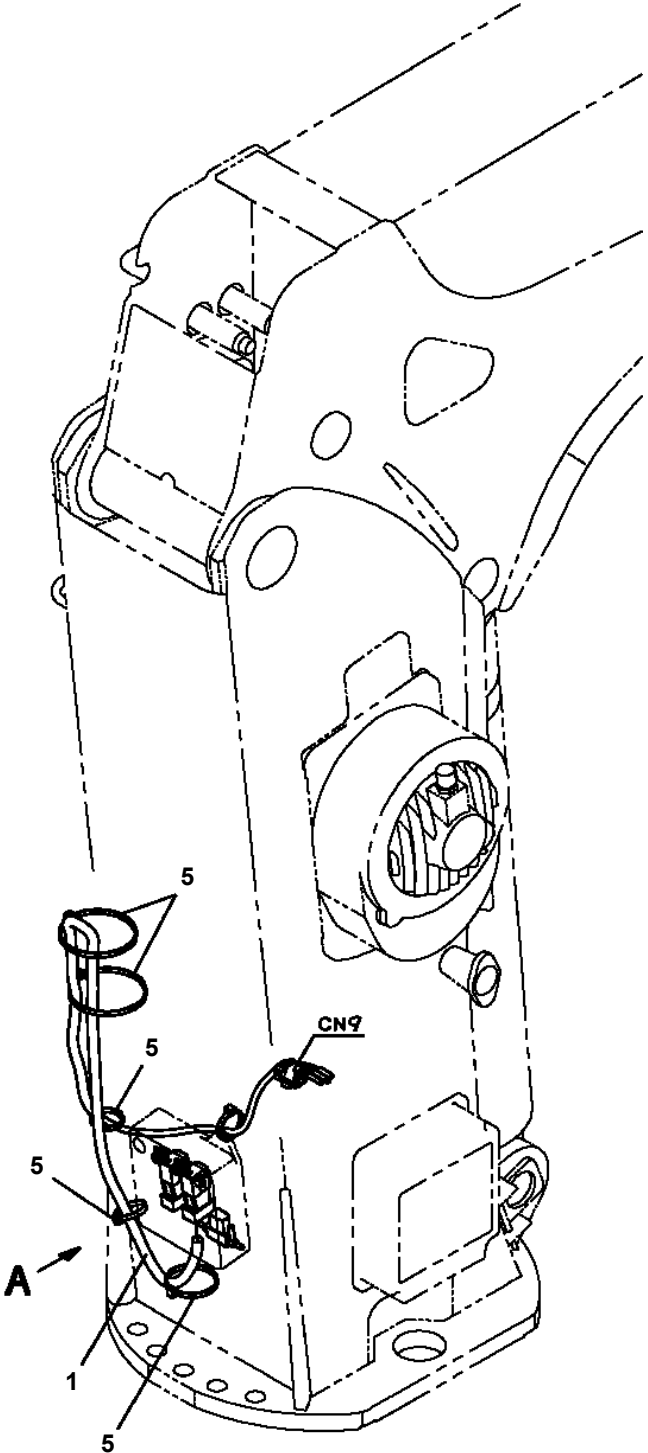
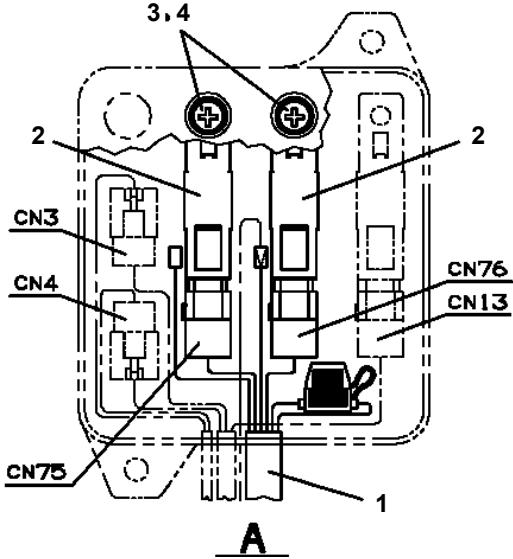
適用製造番号によっては取り付けがないものもあります。

MACHINES OF SOME SERIAL NO. ARE NOT EQUIPPED WITH THESE PARTS.

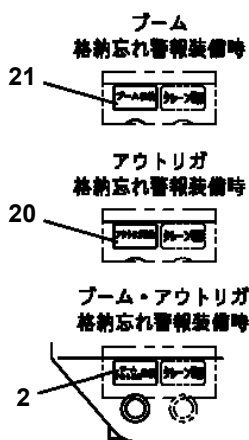
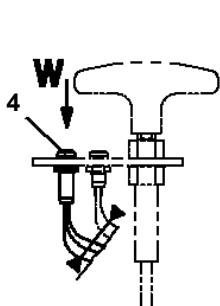
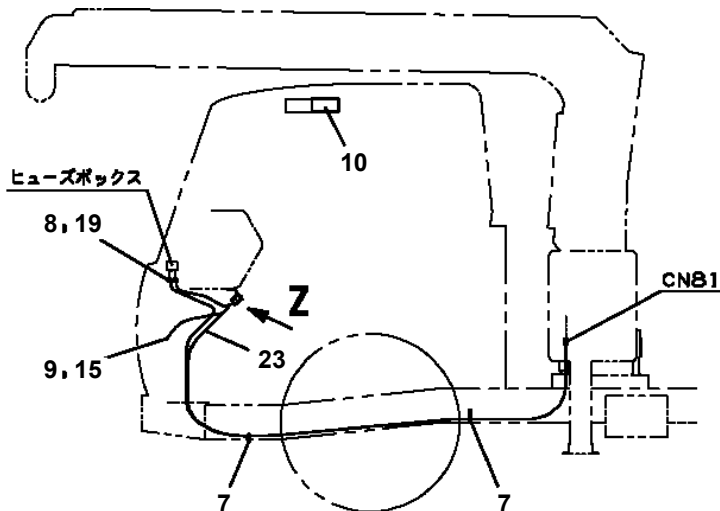
TM-ZE500 41050501116A FRAME/HOOK-IN
 PE5020888-00 ELEC.ASSY (FRAME)



TM-ZE500 41050501116A FRAME/HOOK-IN
PE5020926-00 ELEC.ASSY (POST)

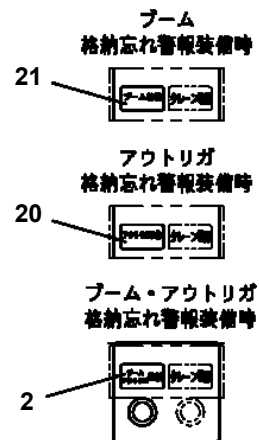
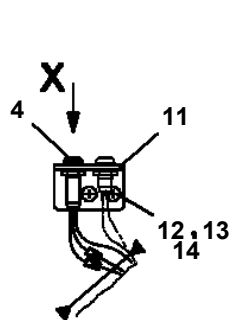


TM-ZE500 41050501116A FRAME/HOOK-IN
PE5021062-03 ELEC.ASSY (CARRIER)



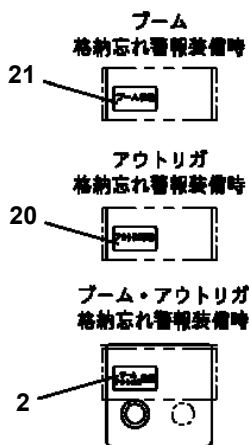
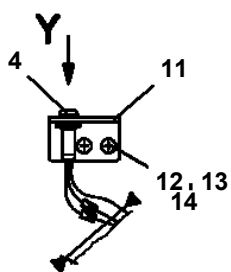
W

PTOスイッチがハンドル横にある場合



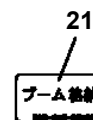
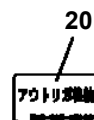
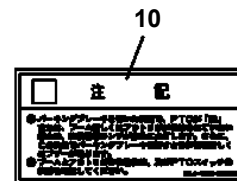
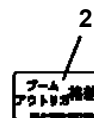
X

PTOスイッチが座席横にある場合



Y

純正PTO付きの場合



Z
PTO操作部詳細

TM-ZE500 41050501116A FRAME/HOOK-IN

Pos No.	Parts No	Parts Name	Qty	Unit	Technical Data	Serial No (Start)	Serial No (End)	Remarks
1	31505262100	HARNESS	1					
2	91810130250	FASTENER	10					
4	90186206010	BOLT,FLANGE	2		M6X10			
5	34354781720	RELAY (WITH HARNESS)	1					
21	31659171100	COVER	1					
22	37002227560	PLATE,NAME (BLACK)	4		D=16			

TM-ZE500 41050501116A FRAME/HOOK-IN

Pos No.	Parts No	Parts Name	Qty	Unit	Technical Data	Serial No (Start)	Serial No (End)	Remarks
1	90191510020	BOLT,HEXAGON SOCKET	8		M10X20			
2	90302041001	WASHER,SPRING	8		10			
3	90303071001	WASHER,PLAIN	4		10			
4	36093860021	BODY	1					
5	36093860042	SUPPORT	1					
6	37001008670	SHEAVE ASSY	2					
7	80720105056	PIN,SPRING	1		5X56			
9	36093860031	BODY	1					
10	36093860080	COVER	2					
12	80500051207	BEARING,BALL	1					
13	36093860071	TRUNNION	1					
21	36095155020	HOOK ASSY	1					
32	36093861100	BEARING,BALL	2					
40	36095150050	TRIGGER SET	1					
100	36095150000	HOOK (LOCKING)	1					

TM-ZE500 41050501116A FRAME/HOOK-IN

Pos No.	Parts No	Parts Name	Qty	Unit	Technical Data	Serial No (Start)	Serial No (End)	Remarks	Pages
1	31440840100	ROLLER ASSY	1						
2	37000105740	PIN	2						
3	80136332020	PIN,SPLIT	2		3.2X20				
4	90303071001	WASHER,PLAIN	4		10				
5	37001300000	SPRING	2						
21	37001107470	ROLLER ASSY	1						
22	37001108130	ROLLER ASSY	1						
23	31440840300	PIN	1						
24	31440840150	SUPPORT	1						
25	31440150350	WASHER,PLAIN	1						
26	90286001007	NUT	1		M10 P=1.25				
27	90303070801	WASHER,PLAIN	1		8				
28	90267200800	NUT	1		M10				
29	37001112430	ROLLER ASSY	1						
42	80516006001	BEARING,BALL	4						
43	80602110280	RING,RITAINING	2		R28				

TM-ZE500 41050501116A FRAME/HOOK-IN

Pos No.	Parts No	Parts Name	Qty	Unit	Technical Data	Serial No (Start)	Serial No (End)	Remarks	P
1	31625180102	FRAME ASSY	1						
2	82459103000	NIPPLE,GREASE	1		C-PT1/8				
3	82400000459	CAP	1						
4	31625174001	FRAME	1						
5	37000574340	PLATE	1		T=1.6				
6	80601111200	RING,RETAINING	1		S-120				
7	90203201600	NUT	2		M16				
8	90101216045	BOLT	2		M16X45				
9	90186208010	BOLT,FLANGE	8		M8X10				
10	31621962100	SUPPORT	4						
11	31621962200	PLATE	4		T=0.5				
12	31624750500	PLATE	4		T=1				
13	37000161010	PIN	2						
14	31620582020	BEARING,BALL (KOYO)	4						
15	37000309980	SPACER	2		L=60				
16	82400000536	LEVEL	2		SF55				
	82400000499	LEVEL	2		SM250				
17	80175803020	SCREW,MACHINE	4		M3X20				
18	31623080300	INSULATOR	2						
19	82401800080	PLUG (FOR M8)	5						
20	37000560620	PLATE	1						
21	37000571860	PLATE	1						
51	37000574930	PLATE	2						
52	31625002100	SUPPORT	2						
53	90190000008	BOLT,STUD	17		M6X20				
54	31621964100	SUPPORT	2						
55	31625172100	SUPPORT	1						
56	90288108030	NUT	3		8X30				
57	37000572550	PLATE	3						
58	31621964700	SUPPORT	1						
59	31625172200	SUPPORT	1						
60	31625172400	SUPPORT	2						
61	31620580250	PLATE	1						
62	90288108040	NUT	2		M8				
63	31625182100	SUPPORT	1						
64	31622253500	SUPPORT	1						
65	90288110020	NUT	2		M10				

TM-ZE500 41050501116A FRAME/HOOK-IN

Pos No.	Parts No	Parts Name	Qty	Unit	Technical Data	Serial No (Start)	Serial No (End)	Remark
1	31477172500	HARNESS	1		L=440			
2	91810130240	FASTENER	3					
3	91850310405	CLAMP (BLACK)	2					
4	31477172400	HARNESS	1		L=440			
5	80182306014	SCREW,MACHINE	3		M6X14			
6	90302040601	WASHER,SPRING	3		6			
8	31373350000	SWITCH ASSY (ASSY ONLY)	1					
9	90303070601	WASHER,PLAIN	2		6			

TM-ZE500 41050501116A FRAME/HOOK-IN

Pos No.	Parts No	Parts Name	Qty	Unit	Technical Data	Serial No (Start)	Serial No (End)	Remarks	Pages
1	31362353100	HARNESS	1						

TM-ZE500 41050501116A FRAME/HOOK-IN

Pos No.	Parts No	Parts Name	Qty	Unit	Technical Data	Serial No (Start)	Serial No (End)	Remarks	Pages
1	31502851200	HARNESS	1		L=310				

TM-ZE500 41050501116A FRAME/HOOK-IN

Pos No.	Parts No	Parts Name	Qty	Unit	Technical Data	Serial No (Start)	Serial No (End)	Remarks	Pages
1	31360741200	HARNESS	1						

TM-ZE500 41050501116A FRAME/HOOK-IN

Pos No.	Parts No	Parts Name	Qty	Unit	Technical Data	Serial No (Start)	Serial No (End)	Remarks	Pages
1	31658090100	HARNESS	1						

TM-ZE500 41050501116A FRAME/HOOK-IN

Pos No.	Parts No	Parts Name	Qty	Unit	Technical Data	Serial No (Start)	Serial No (End)	Remarks	Pages
22	82182809623	DIODE	1						
100	31732901100	HARNESS	1						

TM-ZE500 41050501116A FRAME/HOOK-IN

Pos No.	Parts No	Parts Name	Qty	Unit	Technical Data	Serial No (Start)	Serial No (End)	Remarks	Pages
1	31505231100	HARNESS	1						

TM-ZE500 41050501116A FRAME/HOOK-IN

Pos No.	Parts No	Parts Name	Qty	Unit	Technical Data	Serial No (Start)	Serial No (End)	Remarks	Pages
47	82182809623	DIODE	1						
100	31658280100	HARNESS	1						

TM-ZE500 41050501116A FRAME/HOOK-IN

Pos No.	Parts No	Parts Name	Qty	Unit	Technical Data	Serial No (Start)	Serial No (End)	Remarks	Pages
1	82100001839	FUSE	1		10A.RED				
100	31478092600	HARNESS	1						

TM-ZE500 41050501116A FRAME/HOOK-IN

Pos No.	Parts No	Parts Name	Qty	Unit	Technical Data	Serial No (Start)	Serial No (End)	Remarks	Pages
1	31460332101	HARNESS	1						

TM-ZE500 41050501116A FRAME/HOOK-IN

Pos No.	Parts No	Parts Name	Qty	Unit	Technical Data	Serial No (Start)	Serial No (End)	Rema
13	36662185010	KEY (FEATHER)	1					
40	36662415020	SEAL KIT	1					
50	36663100000	MOTOR, HYDRAULIC (WINCH)	1					

TM-ZE500 41050501116A FRAME/HOOK-IN

Pos No.	Parts No	Parts Name	Qty	Unit	Technical Data	Serial No (Start)	Serial No (End)	Remarks
1	36672590000	FILTER,OIL (CARTRIDGE)	1					
3	36672395020	COVER,HEAD	1					
10	36672390000	FILTER,OIL (WAKO)	1					

TM-ZE500 41050501116A FRAME/HOOK-IN

Pos No.	Parts No	Parts Name	Qty	Unit	Technical Data	Serial No (Start)	Serial No (End)	Remarks
1	31950472000	LOCK ASSY	1					
2	90203201000	NUT	2		M10			
3	90172110055	BOLT,HEXAGON SOCKET	2		M10X55			
4	90172110020	BOLT,HEXAGON SOCKET	4		M10X20			
5	31950492000	LOCK ASSY	1					
6	90303071001	WASHER,PLAIN	4		10			
21	31950300460	SUPPORT (STEEL CAST)	1					
	31950300402	SUPPORT	1					
22	37000537270	PLATE	4					
23	31950491100	LEVER	2					
24	37001400341	SPRING	1					
25	31950300602	HOOK	2					
26	37001510080	BOLT,HEXAGON SOCKET	2					
27	90303071201	WASHER,PLAIN	2		12			
28	82400000527	CAP	2					
29	90203201200	NUT	2		M12			
30	37000400510	BEARING,PLAIN	4					
31	80824001206	BEARING,PLAIN	2					
41	31950330720	SUPPORT (STEEL CAST)	1					
	31950330702	SUPPORT	1					
44	37001400351	SPRING	1					

TM-ZE500 41050501116A FRAME/HOOK-IN

Pos No.	Parts No	Parts Name	Qty	Unit	Technical Data	Serial No (Start)	Serial No (End)	Remarks	Pages
1	31270643200	COVER	2						
2	90186208014	BOLT,FLANGE	8		M8X14				
3	31270212000	CAP	2						
4	31270643300	PLATE	1						
5	90280200800	NUT,FLANGE	1		M8				

TM-ZE500 41050501116A FRAME/HOOK-IN

Pos No.	Parts No	Parts Name	Qty	Unit	Technical Data	Serial No (Start)	Serial No (End)
1	(*****)	ELEC.ASSY (LOWER)	1				
2	(*****)	ELEC.ASSY (UPPER/WORKING LAMP)	1				

TM-ZE500 41050501116A FRAME/HOOK-IN

Pos No.	Parts No	Parts Name	Qty	Unit	Technical Data	Serial No (Start)	Serial No (End)	Remarks	Pages
1	(*****)	ELEC.ASSY (FRAME)	1						00004
2	(*****)	ELEC.ASSY (POST)	1						00004
3	(*****)	ELEC.ASSY (UPPER)	1						00004

TM-ZE500 41050501116A FRAME/HOOK-IN

Pos No.	Parts No	Parts Name	Qty	Unit	Technical Data	Serial No (Start)	Serial No (End)	Rem
1	(*****)	ELEC.ASSY (FRAME)	1					
2	(*****)	ELEC.ASSY (POST)	1					
3	(*****)	ELEC.ASSY (POST WORK LAMP)	1					

TM-ZE500 41050501116A FRAME/HOOK-IN

Pos No.	Parts No	Parts Name	Qty	Unit	Technical Data	Serial No (Start)	Serial No (End)	Remarks	Pages
1	(*****)	ELEC.ASSY (FRAME)	1						00004
2	(*****)	ELEC.ASSY (POST)	1						00008
3	(*****)	ELEC.ASSY (UPPER)	1						00004

TM-ZE500 41050501116A FRAME/HOOK-IN

Pos No.	Parts No	Parts Name	Qty	Unit	Technical Data	Serial No (Start)	Serial No
1	(*****)	PIPING ASSY,OUTRIGGER	1				
2	(*****)	ELEC.ASSY	1				
6	(*****)	NAME PLATE ASSY (WITH JACK INTERLOCK)	1				
7	(*****)	COVER (O/R HARNESS PROTECT)	1				

CLICK HERE TO **DOWNLOAD** THE COMPLETE MANUAL

- Thank you very much for reading the preview of the manual.
- You can download the complete manual from: www.heydownloads.com by clicking the link below



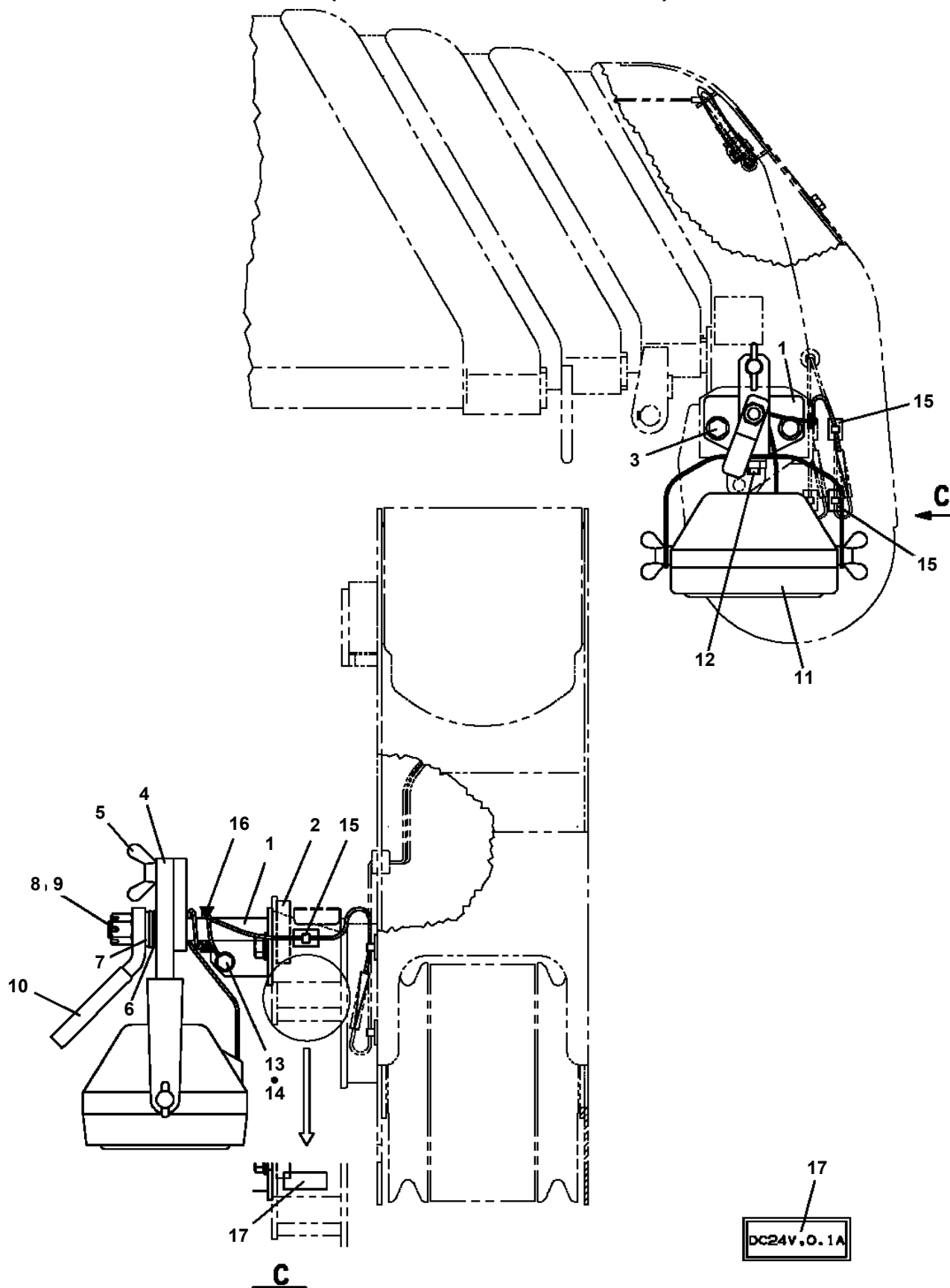
- Please note: If there is no response to CLICKING the link, please download this PDF first and then click on it.

CLICK HERE TO **DOWNLOAD** THE COMPLETE MANUAL

TM-ZE500 41050501116A FRAME/HOOK-IN

Pos No.	Parts No	Parts Name	Qty	Unit	Technical Data	Serial No (Start)	Serial N
1	36684030000	METER,LOAD (2.9TON NAGANO/JAPANESE)	1				
	36684040000	METER,LOAD (2.9TON KUSABA/JAPANESE)	1				
2	31644592100	JOINT,ROTARY	1				
4	80400160180	JOINT (WITH O-RING)	1				
11	91002801400	O-RING	1		1B P14		

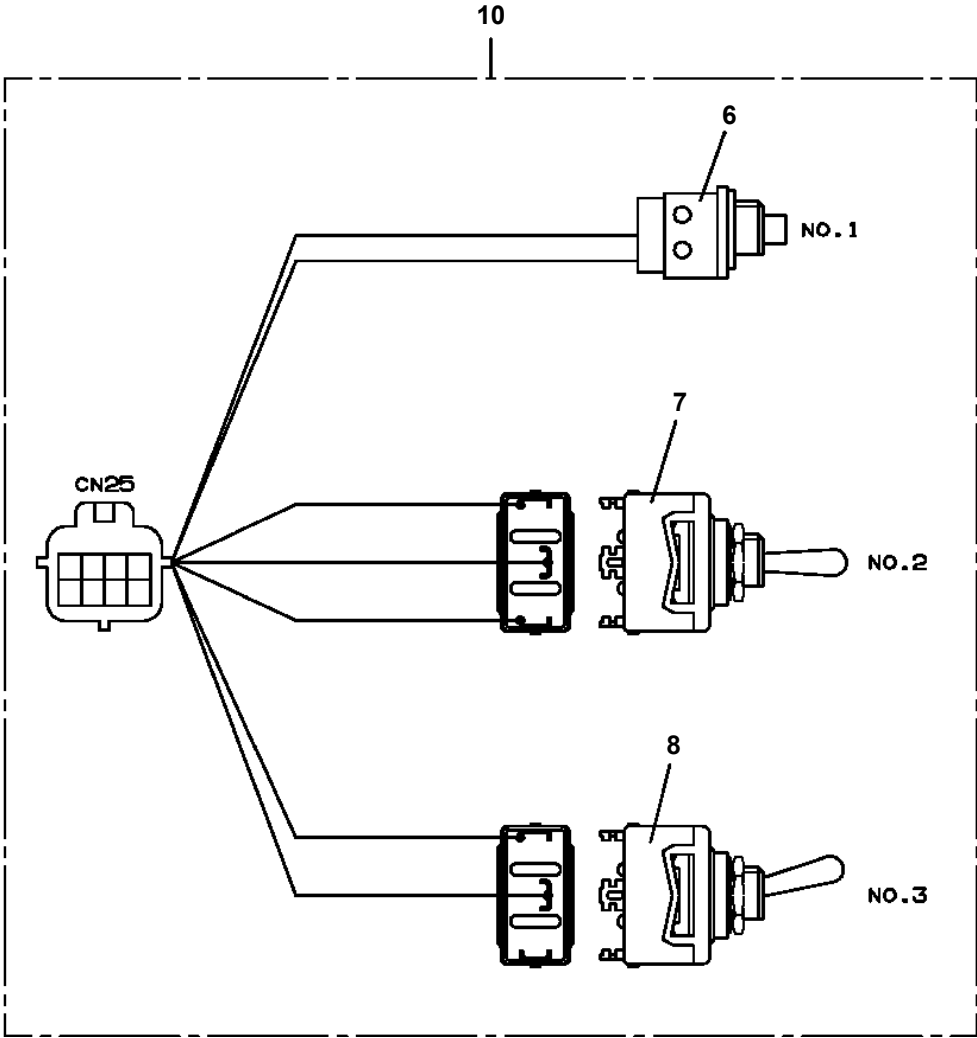
**TM-ZE500 41050501116A FRAME/HOOK-IN
PN1014687-03 ELEC.ASSY (UPPER/WORKING LAMP)**



注 意：本図は参考用に掲載しており、形状などは実機と異なります。

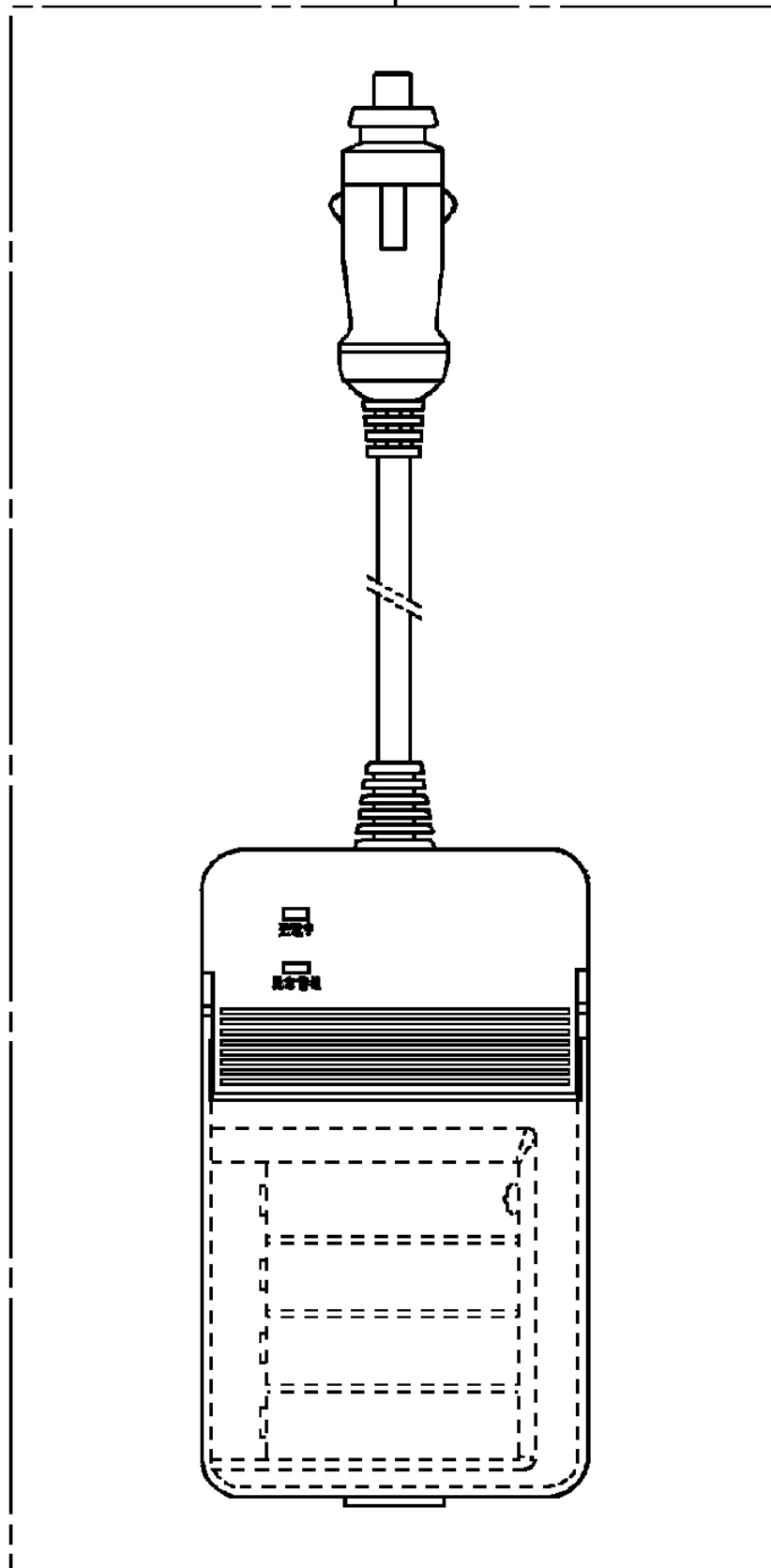
NOTE: THE ABOVE FIGURE IS FOR REFERENCE AND MAY DIFFER FROM THE ACTUAL APPEARANCE OF YOUR MACHINE.

TM-ZE500 41050501116A FRAME/HOOK-IN
PN1140200-00 SWITCH ASSY (GREEN: PANASONIC)

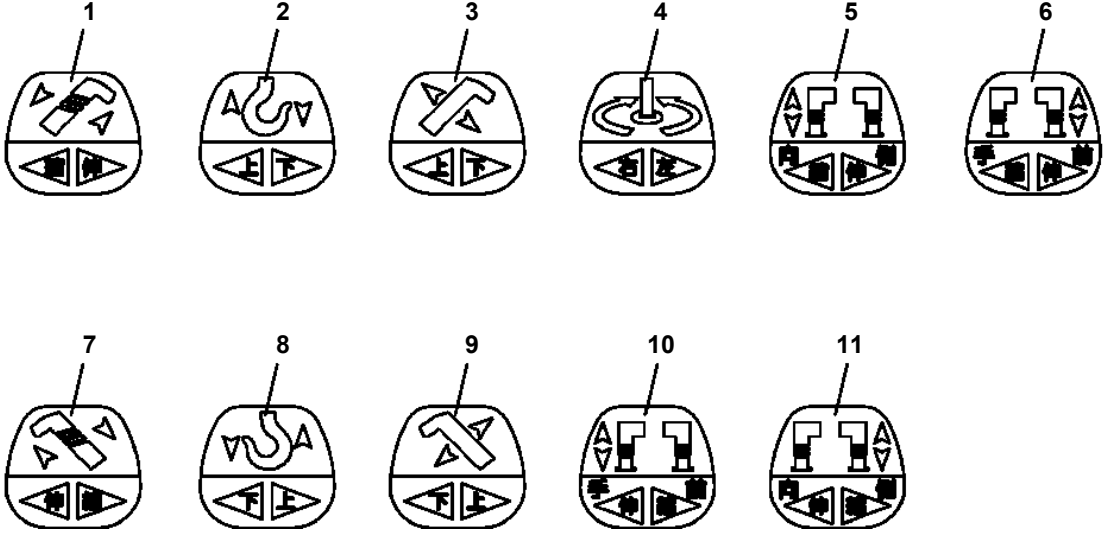
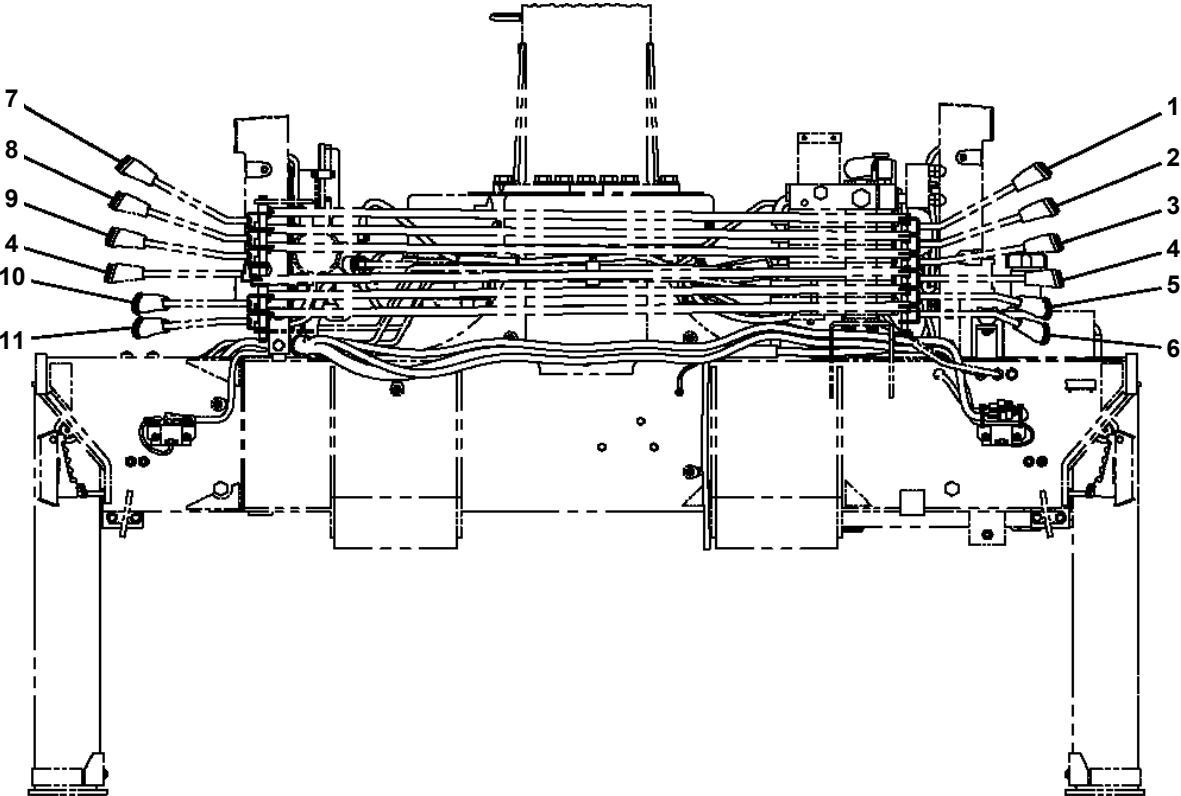


TM-ZE500 41050501116A FRAME/HOOK-IN
PN1420020-00 CHARGER,BATTERY

10



TM-ZE500 41050501116A FRAME/HOOK-IN
PN5010643-00 NAME PLATE ASSY (CONTROL)



TM-ZE500 41050501116A FRAME/HOOK-IN

Pos No.	Parts No	Parts Name	Qty	Unit	Technical Data	Serial No (Start)	Serial No (End)	Remarks	Pages
1	37002228110	PLATE,NAME	1						
2	37002228120	PLATE,NAME	1						
3	37002228150	PLATE,NAME	1						
4	37002228160	PLATE,NAME	1						
5	31503231100	PLATE,NAME	1						

TM-ZE500 41050501116A FRAME/HOOK-IN

Pos No.	Parts No	Parts Name	Qty	Unit	Technical Data	Serial No (Start)	Serial No (End)	Remarks
8	37002227690	PLATE,NAME	1					
9	37002227700	PLATE,NAME	1					
10	37002227860	PLATE,CAUTION	2					
11	37002206490	PLATE,NAME (GREASE)	5					
12	37002224400	PLATE,NAME	1					
13	37002224440	PLATE,NAME	1					
14	37002220450	PLATE,NAME	1					
15	37002200320	PLATE,NAME	1					

TM-ZE500 41050501116A FRAME/HOOK-IN

Pos No.	Parts No	Parts Name	Qty	Unit	Technical Data	Serial No (Start)	Serial No (End)	Remarks
1	(*****)	NAME PLATE ASSY (ALARM)	1					
2	(*****)	NAME PLATE ASSY	1					

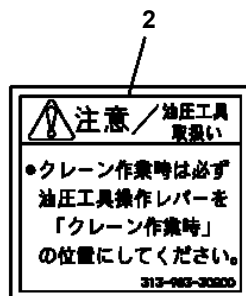
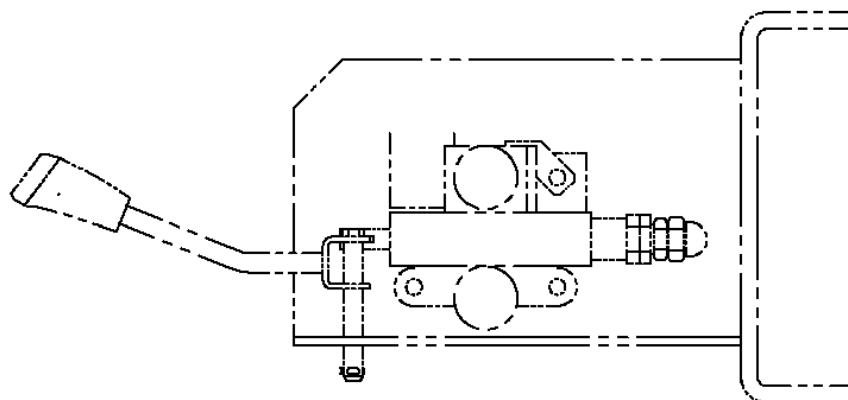
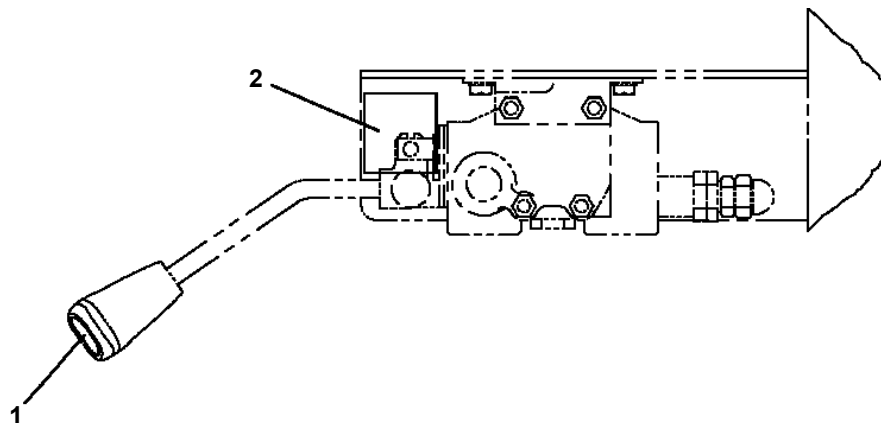
TM-ZE500 41050501116A FRAME/HOOK-IN

Pos No.	Parts No	Parts Name	Qty	Unit	Technical Data	Serial No (Start)	Serial No (End)	Rem
1	(*****)	NAME PLATE ASSY (FRAME)	1					
2	(*****)	PERFORMANCE DATA (ZE505L/A)	1					
	(*****)	PERFORMANCE DATA (ZE505L/B)	1					
	(*****)	PERFORMANCE DATA (ZE505L/C)	1					
3	(*****)	PLATE ASSY,NAME (POST)	1					

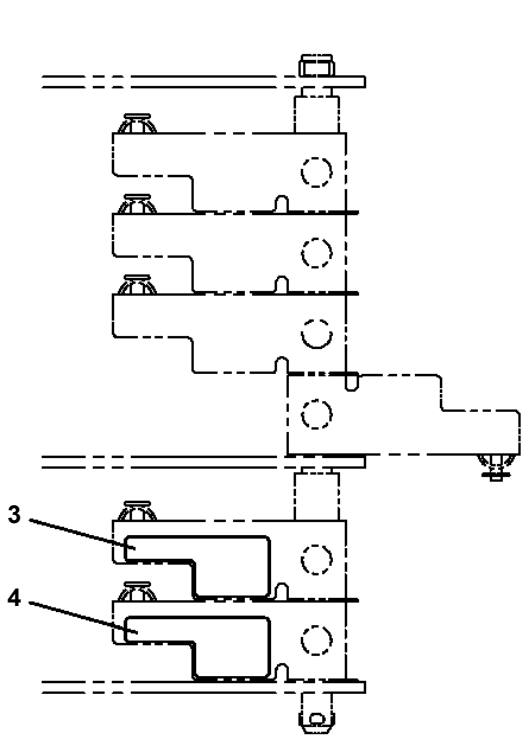
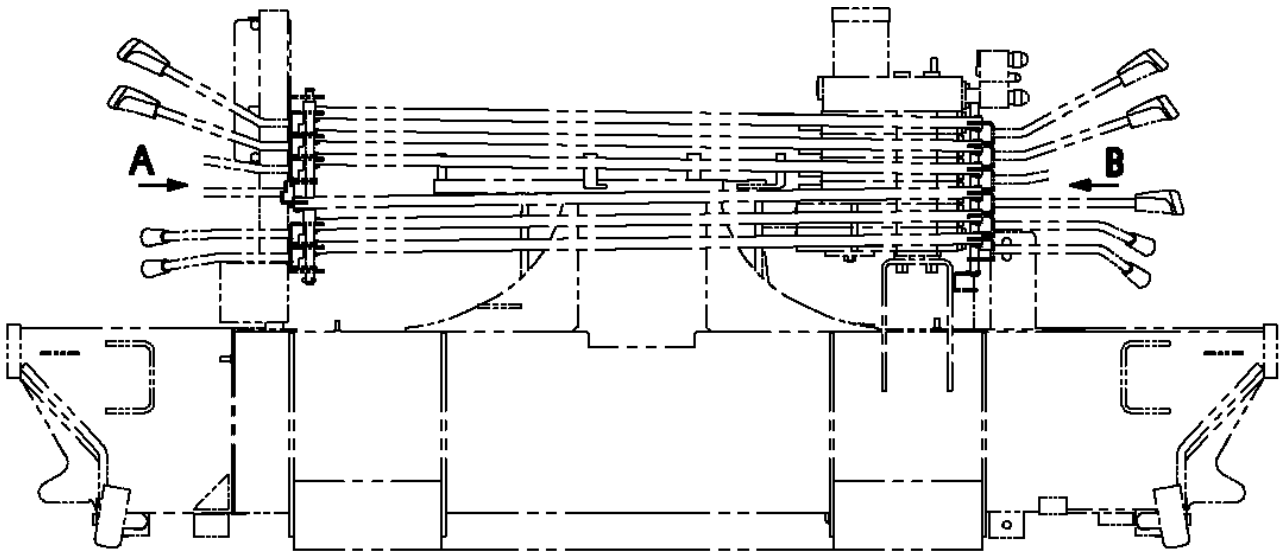
TM-ZE500 41050501116A FRAME/HOOK-IN

Pos No.	Parts No	Parts Name	Qty	Unit	Technical Data	Serial No (Start)	Serial No (End)	Remarks	Pages
2	90451700100	SCREW,TAPPING	4		M4X6.4				

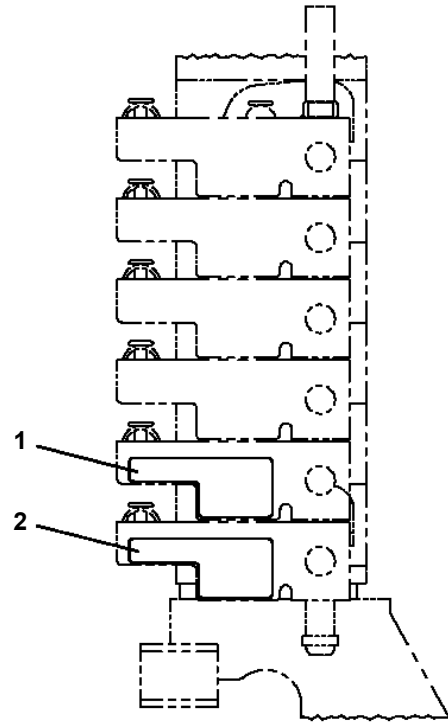
TM-ZE500 41050501116A FRAME/HOOK-IN
PO1015094-01 PLATE ASSY,NAME



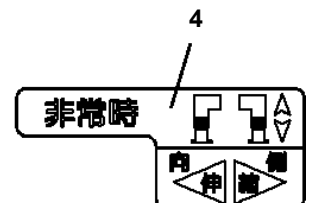
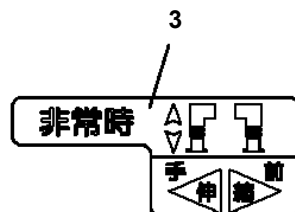
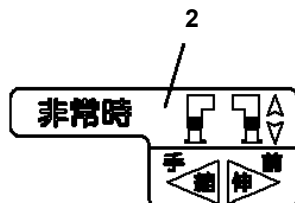
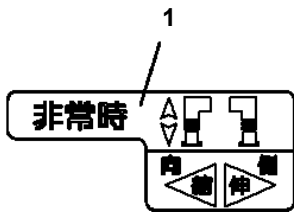
TM-ZE500 41050501116A FRAME/HOOK-IN
 PO1015428-01 PLATE ASSY,NAME (PREVENTION OF FOOTRAIL)



A



B



TM-ZE500 41050501116A FRAME/HOOK-IN
PO1080084-00 PLATE,NAME (NETIS)

当銘板については、弊社出先サービス員経由で御用命ください。

FOR THIS NAMEPLATE, CONTACT
TADANO DISTRIBUTOR OR DEALER.

**TM-ZE500 41050501116A FRAME/HOOK-IN
PO5080032-00 OPE.ASSY,CONT.VALVE (BOTH SIDE JACK LEVER)**

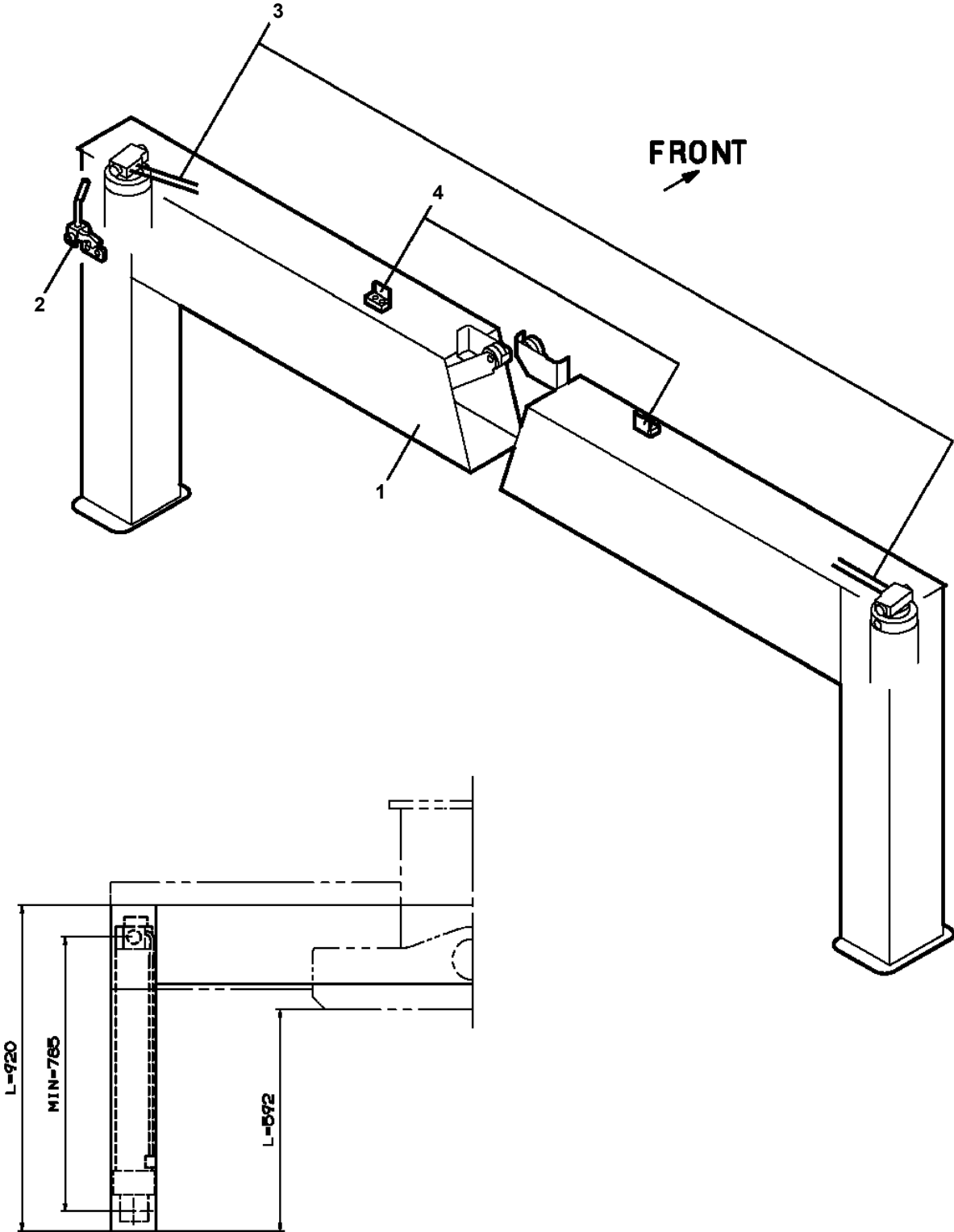
指示番号 KEY NO.	オペ .ASSY,ソウサハ ^ル (リヨウカ ^ワ ヲツキレハ ^ー) OPE.ASSY,CONT.VALVE (BOTH SIDE JACK LEVER)
1	オペ .ASSY,ソウサハ ^ル OPE.ASSY,CONT.VALVE
2	プレートASSY,ネーム PLATE ASSY,NAME
3	ハイセンASSY (クランプ ^フ ,ファスナ) ELEC.ASSY (CLAMP,FASTENER)
4	ハイセンASSY (ヒシ ^ヨ ヲウスイッチ/リヨウカ ^ワ ヲタイオウ) ELEC.ASSY (EMERGENCY SWITCH/BOTH SIDE)

TM-ZE500 41050501116A FRAME/HOOK-IN
PO5080151-00 OPE.ASSY,CONT.VALVE (U-LAYOUT/REPLACEMENT KIT)

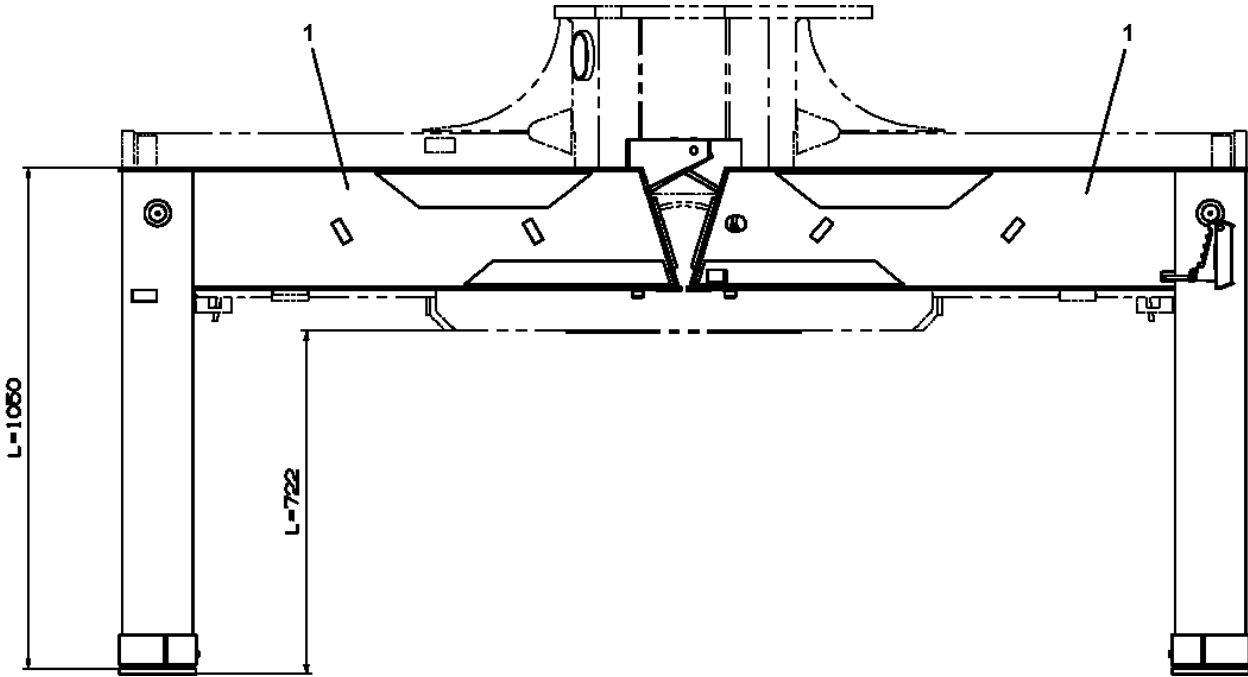
オペ .ASSY,ソウサハ .ルブ (Uハイレツコウカンキット)
OPE .ASSY,CONT .VALVE (U-LAYOUT/REPLACEMENT KIT)

【組立名称一覧】より選択してください。
SEE THE CORRESPONDING "ASSEMBLY NAME" LIST.

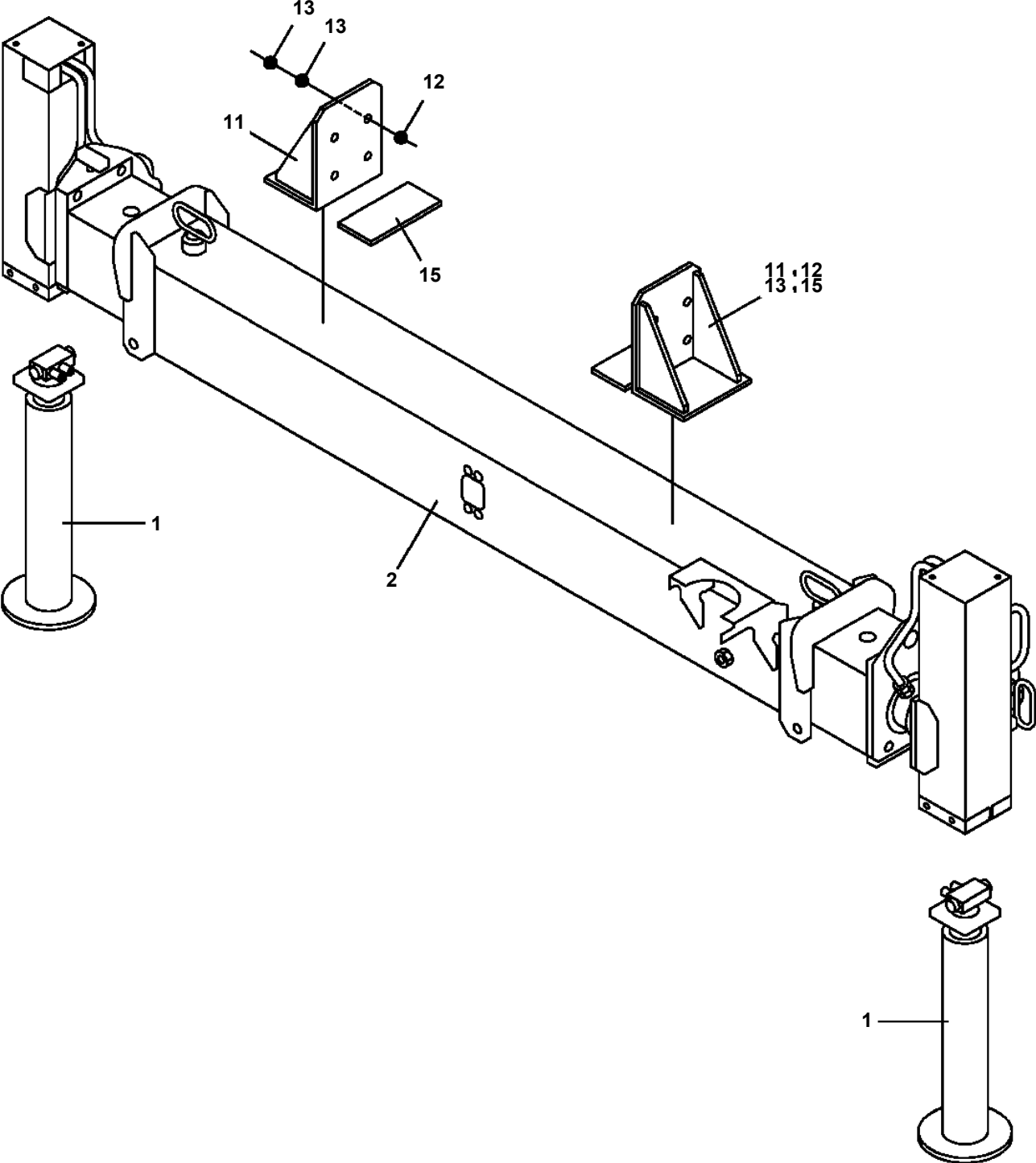
TM-ZE500 41050501116A FRAME/HOOK-IN
PO5270018-02 OUTRIGGER ASSY (L=592,MIN=785)



TM-ZE500 41050501116A FRAME/HOOK-IN
PO5270237-00 OUTRIGGER ASSY (L=722,CASE:L=1050)



TM-ZE500 41050501116A FRAME/HOOK-IN
PO5290013-00 OUTRIGGER ASSY,REAR



**TM-ZE500 41050501116A FRAME/HOOK-IN
PP5070073-00 PARTS ASSY,BML (LOAD MOMENT INDICATOR,STOP)**

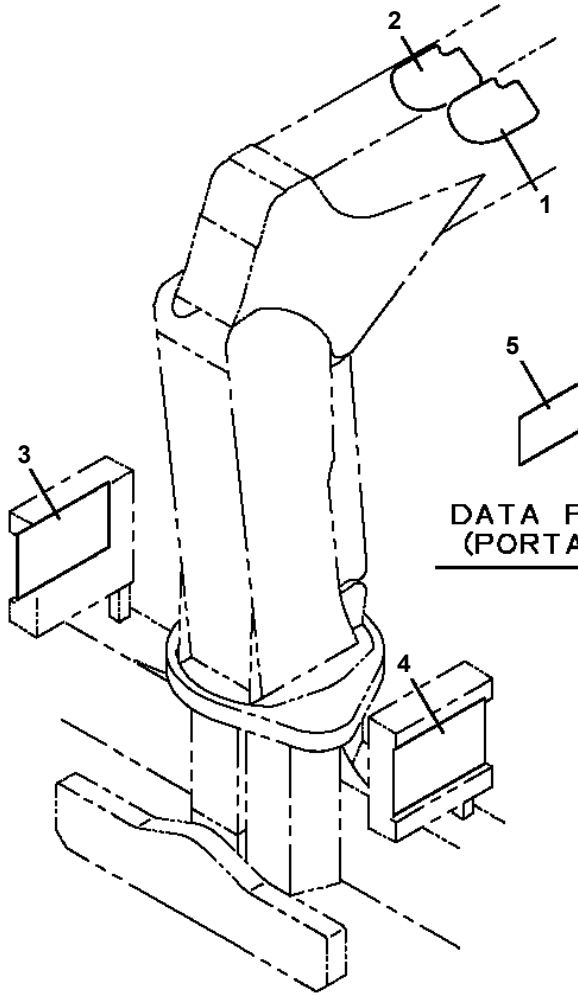
ハーツASSY,BML (カフカホウシソウチ,テイシ)
PARTS ASSY,BML (LOAD MOMENT INDICATOR,STOP)

符号	日本語名称	英語名称	備考
4	ネームプレートASSY (停止仕様)	NAME PLATE ASSY	停止仕様およびJCAS銘板

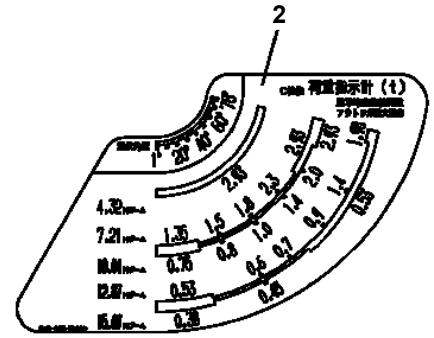
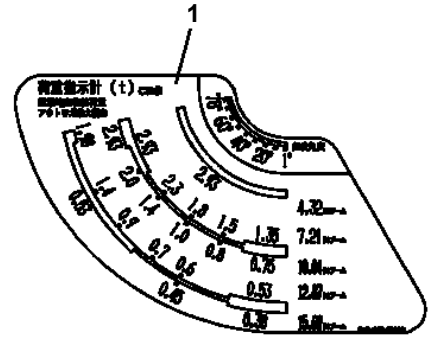
適用製造番号によっては取り付けがないものもあります。

MACHINES OF SOME SERIAL NO. ARE NOT EQUIPPED WITH THESE PARTS.

TM-ZE500 41050501116A FRAME/HOOK-IN
 PP5200167-01 PERFORMANCE DATA (ZE505L/C)



DATA PLATE
(PORTABLE)

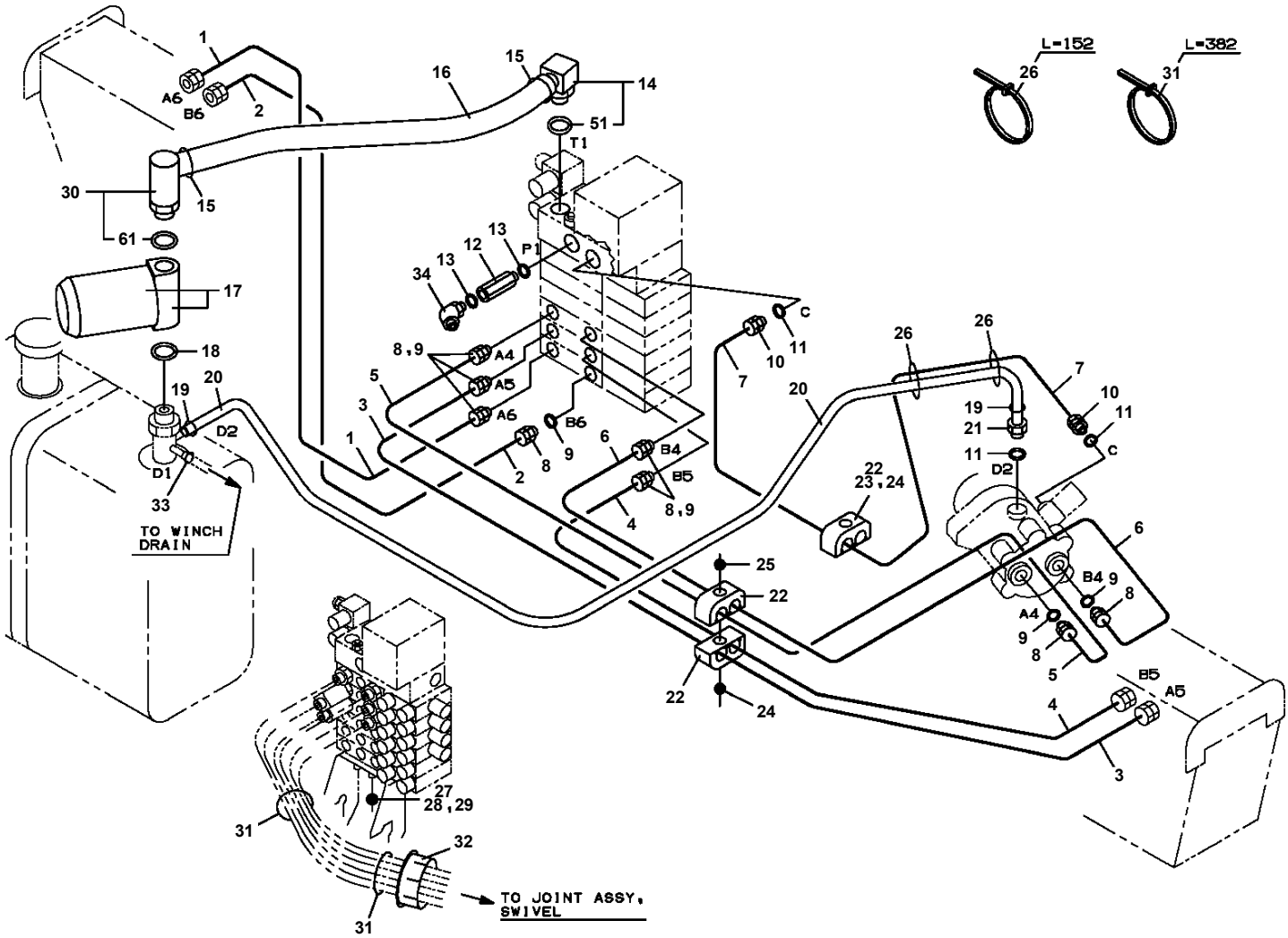


TM-ZE500 41050501116A FRAME/HOOK-IN
PP5240027-00 PLATE,NAME (JCAS)

当銘板については、弊社出先サービス員経由で御用命ください。

FOR THIS NAMEPLATE, CONTACT
TADANO DISTRIBUTOR OR DEALER.

**TM-ZE500 41050501116A FRAME/HOOK-IN
PP6010039-00 PIPING ASSY (LOWER)**



TM-ZE500 41050501116A FRAME/HOOK-IN

Pos No.	Parts No	Parts Name	Qty	Unit	Technical Data	Serial No (Start)	Serial No (End)	Remarks
1	91002801400	O-RING	1		1B P14			
2	37000912810	JOINT	1					
3	31641050100	JOINT	1					
4	36671630000	JOINT ASSY,SELF SEAL	1					
5	80430620800	JOINT	1					
6	37000924860	JOINT	1					
7	37002415530	HOSE	1		L=1950			
8	37002513590	HOSE	1		L=1720			
9	90191208030	BOLT	3		M8X30			
10	90201200800	NUT	3		M8			
11	90302040801	WASHER,SPRING	3		8			
12	80400160205	JOINT (WITH O-RING)	1					
13	80400160182	JOINT (WITH O-RING)	2					
14	91803600400	CLIP	2		D=27-40			
15	91002801800	O-RING	2		1B P18			
16	36638550000	VALVE,MANUAL CONTROL	1					
17	80400160131	JOINT	1					
18	91810132530	FASTENER	2					
19	80400160203	JOINT (WITH O-RING)	1					
20	37000713260	CLAMP ASSY	2		23			
21	90101210020	BOLT	2		M10X20			
22	90302041001	WASHER,SPRING	2		10			
23	31844920100	SUPPORT	1					
24	31844910100	SUPPORT	1					
25	31846390100	SUPPORT	1					
41	36671635010	JOINT,SELF SEALING	1					
42	36671635020	JOINT,SELF SEALING	1					
51	91002801800	O-RING	4		1B P18			
61	91002802900	O-RING	1		1B P29			

TM-ZE500 41050501116A FRAME/HOOK-IN

Pos No.	Parts No	Parts Name	Qty	Unit	Technical Data	Serial No (Start)	Serial No
1	81408000100	PIPE,STEEL	1	M	10X1.2T		
2	81408000100	PIPE,STEEL	1	M	10X1.2T		
3	81408000100	PIPE,STEEL	3	M	10X1.2T		
4	81408000100	PIPE,STEEL	2	M	10X1.2T		
5	80302090121	FITTING	4		KCO10-030N		
6	91002801400	O-RING	14		1B P14		
7	80400160182	JOINT (WITH O-RING)	1				
8	37002510990	HOSE	1		L=310		
9	36672390000	FILTER,OIL (WAKO)	1				
10	37005700130	CLAMP	1		10X2		
11	90280200800	NUT,FLANGE	1		M8		
12	90186208035	BOLT,FLANGE	1		M8X35		
13	90201780800	NUT	4		M8		
14	90302040801	WASHER,SPRING	4		8		
15	90303070801	WASHER,PLAIN	4		8		
16	80400160202	JOINT (FOR RETURN FILTER)	1				
17	91803600400	CLIP	2		D=27-40		
18	80316070060	PLUG	10		PF3/8		
19	37000924070	JOINT	1		S,G1/2-G1/2		
20	91002801800	O-RING	2		1B P18		
21	80471020504	JOINT	1		HL205-04		
22	80316070040	PLUG	1		PF1/4		
23	91002801100	O-RING	1		1B P11		
24	91002802900	O-RING	1		1B P29		
25	80322110000	CAP	2				
41	91002801800	O-RING	1		1B P18		
51	91002802900	O-RING	1		1B P29		
102	36741900000	VALVE ASSY,SELECTOR (MANUAL CONT.)	1				

TM-ZE500 41050501116A FRAME/HOOK-IN

Pos No.	Parts No	Parts Name	Qty	Unit	Technical Data	Serial N
1	(*****)	RADIO CONTROL	1			
2	(*****)	OPE.ASSY,CONT.VALVE	1			
3	(*****)	ELEC.ASSY (PANEL SWITCH)	1			
4	(*****)	ELEC.ASSY (FRAME SWITCH)	1			
6	(*****)	PIPING ASSY (SWING LOCK)	1			
7	(*****)	PIPING,LOWER (RADICON./REPLACE FILTER)	1			
8	(*****)	PIPING ASSY (VALVE JOINT)	1			
9	3674089000	VALVE ASSY,REMOTE CONTROL	1			
10	(*****)	PIPING,LOWER (FOR LOAD METER)	1			
11	(*****)	PLATE ASSY,NAME (OPERATION)	1			
12	(*****)	PLATE ASSY,NAME (PANEL)	1			
13	(*****)	PERFORMANCE DATA (SELEC.TABLE/CONT.UNITSIDE PANEL)	1			
21	(*****)	ELEC.ASSY (PLUG:FRAME/INTERLOCK)	1			
22	(*****)	ELEC.ASSY (POST/ELEVATING STOWING SW)	1			

TM-ZE500 41050501116A FRAME/HOOK-IN

Pos No.	Parts No	Parts Name	Qty	Unit	Technical Data	Serial No (Start)	Serial No (End)	Remarks	P
1	37001809030	ROPE,WIRE (KISWIRE)	1						

TM-ZE500 41050501116A FRAME/HOOK-IN

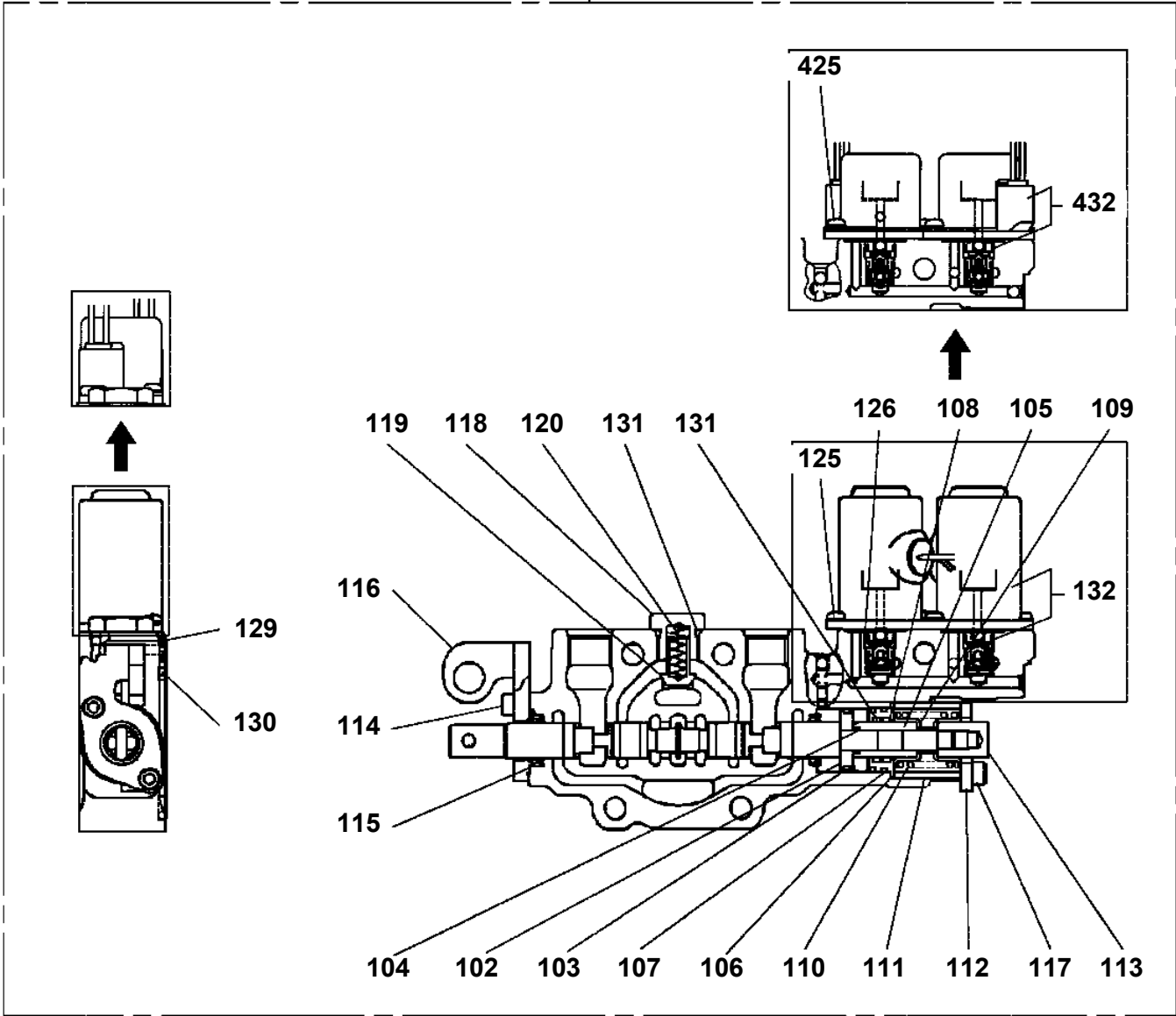
Pos No.	Parts No	Parts Name	Qty	Unit	Technical Data	Serial No (Start)	Serial No (End)	Remarks	Pages
1	31656782100	SUPPORT	1						
2	31656142100	PLATE,NAME	1						
3	31651762400	COVER	1						
4	80192486010	SCREW,MACHINE	1		M6X10				

TM-ZE500 41050501116A FRAME/HOOK-IN

Pos No.	Parts No	Parts Name	Qty	Unit	Technical Data	Serial No (Start)	Serial No (End)
1	31656141100	SUPPORT	1				
2	31658021110	SWITCH ASSY (WITH HARNESS,3 SW)	1				
4	82197518114	CAP (MATSUSHITA/BLACK)	1				
	82197518119	CAP (PLUS ONE MFG./BLACK)	1				
5	82199514013	CAP	2				
6	82199504017	NUT	2		AT-401N		
9	31656122100	PLATE,NAME	1				

TM-ZE500 41050501116A FRAME/HOOK-IN
PV1020384-01 VALVE,REMOTE CONTROL

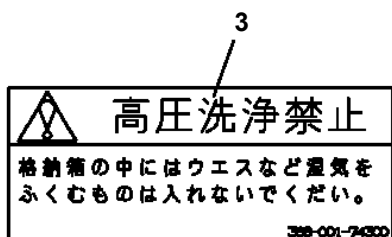
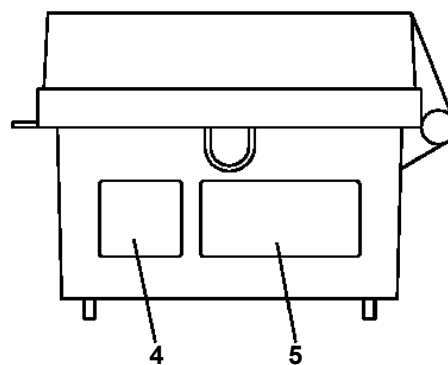
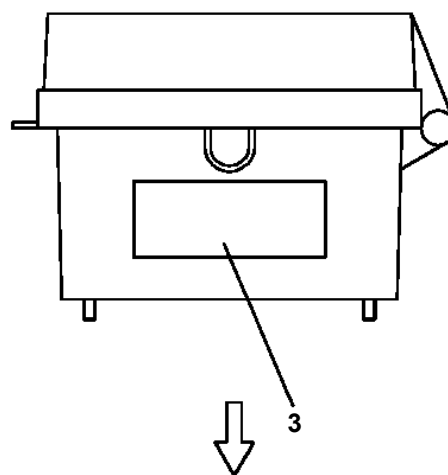
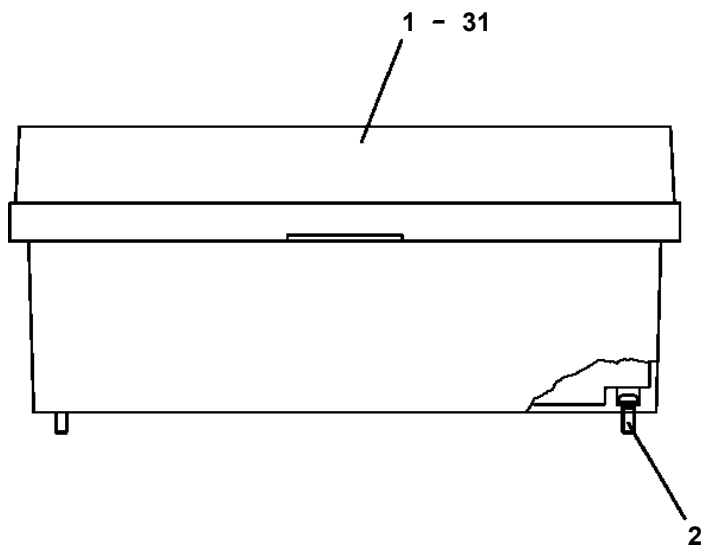
3



TM-ZE500 41050501116A FRAME/HOOK-IN
PV1070521-00 RADIO CONTROL

指示番号 KEY NO.	ラジオコントロール RADIO CONTROL
1	コントロール ユニット CONTROL UNIT
2	アンテナ ANTENNA
3	スイッチ ボックス SWITCH BOX
4	ハイセンASSY (コントロール ユニット) ELEC.ASSY (CONTROL UNIT)
5	ハイセンASSY (アンテナ ユニット) ELEC.ASSY (ANTENNA UNIT)
6	ボックス, ストローイング BOX, STOWING

TM-ZE500 41050501116A FRAME/HOOK-IN
 PV1250011-02 STOWING BOX (BAG,REMOTE CONTROL)



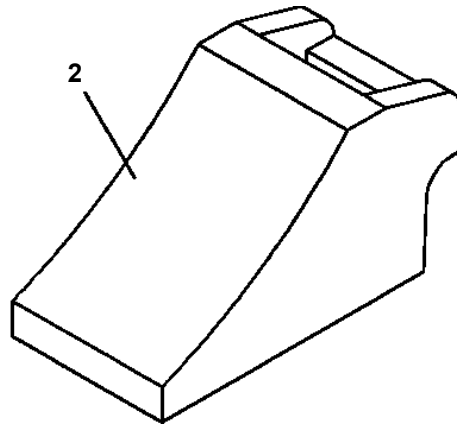
TM-ZE500 41050501116A FRAME/HOOK-IN

Pos No.	Parts No	Parts Name	Qty	Unit	Technical Data	Serial No (Start)	Serial No (End)
1	36645495280	BOLT,TIE	1				
2	36645495290	BOLT,TIE (A)	3				
3	90201200800	NUT	9		M8		
4	36740830030	COVER (FRONT)	1				
5	36645615080	BOLT,TIE (C)	1				
6	36740745020	VALVE,CONTROL (TELESCOPING)	1				
7	36740745030	VALVE,CONTROL (WINCH)	1				
8	36740890060	VALVE,CONTROL (ELEVATING)	1				
9	36740890070	VALVE,CONTROL (SWING)	1				
10	36740745060	VALVE,CONTROL (JACK)	1				
11	36740745070	VALVE,CONTROL (JACK)	1				
12	36641555090	COVER (BOTTOM)	1				
13	80720104012	PIN,SPRING	1		4X12		
14	36644835061	COVER	1				
15	36740745080	VALVE,RELIEF	1				
16	36645615230	C-BOLT	4		5X12		
17	36649075060	CAM	4				
18	36646865110	SCREW,SET	4				
19	36649555080	SWITCH ASSY	2				
20	36647125090	SCREW,MACHINE	4		M2.3X14		
21	36646575070	PLATE	2				
22	36647125100	NUT	4		M2.3		
23	36645405050	BUSH	2				
24	36740745090	COVER	2				
25	80172104006	SCREW,MACHINE	4		M4X6		
26	36645405060	TUBE	2				
27	36740745100	LVDT ASSY (1SET=4PCS WITH CONNECTOR)	1				
28	36644015220	SHIM (T=0.2)	8				
29	36644015230	SHIM (T=0.3)	8				
30	36645405110	SHIM (T=1.0)	4				
31	36645405100	BOLT	8		M4X22		
32	36644015120	CONNECTOR	2				
33	36644015130	TUBE	5				
34	11615111410	BAND	11				
35	36740745110	HARNESS ASSY (SOLENOID)	1				
36	36649585260	HARNESS	2				
37	36644015110	CONNECTOR	3				
38	36644015080	BOX	1				
39	36644015150	URETHANE (ROOL STOCK)	4				
40	36644015140	COVER	1				
41	36649555130	SCREW,MACHINE	2		M5X8		
42	36646865070	CLIP	1				
43	90303070801	WASHER,PLAIN	1		8		
44	90302040801	WASHER,SPRING	1		8		
45	90101208012	BOLT	1		M8X12		
46	36740785020	TUBE	1				
47	36646865060	FASTENER	2				
48	36647855190	SCREW,MACHINE	2		M5X12		
49	36740765040	BAND	2				
50	36644015070	COVER	1				
51	36645405150	SCREW,MACHINE	4		M3X5		
52	36741985040	PLUG	2				
53	36646485040	PLUG	1				
55	36741985050	PLUG	12				
56	91001101100	O-RING	3		1A P11		
57	36644115130	PLUG	3				
60	36640755070	CAP	5				
61	36641385070	GUARD	1				
63	36740745200	GUARD	1				
81	36740745190	LVDT ASSY (1PC WITHOUT CONNECTOR)	4				
105	80316030020	PLUG	3		PT1/8		
106	36740765060	SPRING	1				
107	91001101400	O-RING	1		1A P14		

TM-ZE500 41050501116A FRAME/HOOK-IN

Pos No.	Parts No	Parts Name	Qty	Unit	Technical Data	Serial No (Start)	Serial M
108	36640625210	CAP	1				
109	36649585170	FILTER	1				
110	91001002600	O-RING	2		S26		
111	36647395150	PLUG	1		M24		
112	36646875130	ORIFICE	1		M3		
113	91001101600	O-RING	1		1A P16		
114	36740745120	SPRING	1				
115	36740745130	SPRING	1				
116	36645615210	PLUG	1		24		
117	91001100600	O-RING	33		1A P6		
118	91002905500	O-RING	7		1B G55		
119	91001101800	O-RING	1		1A P18		
120	90303070401	WASHER,PLAIN	1		4		
207	91001000800	O-RING	6		S8		
208	36646865190	PISTON	6				
209	91001102000	O-RING	6		1A P20		
210	36648365110	FLANGE	6				
211	91001002240	O-RING	6		S22.4		
212	91650001400	SCRAPER	6				
213	36645495210	SEAT,SPRING (RETURN)	12				
214	36648365120	SPOOL (SUB)	6				
215	36645845060	SPRING (RETURN)	6				
216	36644015260	ADAPTER	4				
217	36648365130	SPACER	6				
218	36645405090	PLATE (D)	4				
219	36645615250	C-BOLT	12		M5X25		
220	36633365100	SEAL,OIL	6				
221	36645845050	LINK	2				
222	36645615230	C-BOLT	4		5X12		
223	12635101360	SPOOL	6				
224	36635735150	SPRING (CHECK VALVE)	2				
225	36633365090	CAP (CHECK VALVE)	6				
227	91001002200	O-RING	12		S22		
229	36740745140	SCREW,MACHINE	24		M4X12		
251	36740745150	VALVE,SOLENOID (KIT)	12				
261	36633365060	PLATE (B)	4				
262	36645615260	C-BOLT	8		M5X8		
274	12635101190	SPRING	4				
286	36645495220	ADAPTER	2				
288	36648385080	BRACKET	2				
304	36645405030	O-RING	2				
305	36647175030	COVER	1				
307	36740745160	CHOKE	1				
308	91002800700	O-RING	2		1B P7		
310	12635101140	SPRING	1				
311	12635101130	SCREW (ADJUSTING)	2				
312	11629431040	PACKING	4				
313	36646575090	NUT	2				
314	36630195030	NUT,CAP	2				
315	16623320390	TUBE (SEAL)	2				
316	91001102200	O-RING	1		1A P22		
319	36740745170	SPRING	1				
320	36740745180	SPRING	1				
321	91002802100	O-RING	1		1B P21		
322	36635735130	SPRING (A)	1				
323	36635735140	SPRING (B)	1				
324	36647055160	SEAT,SPRING	1				
325	80172104010	SCREW,MACHINE	6		M4X10		
326	36646865170	ROD,PUSH	1		8		
327	36645495240	SOLENOID ASSY	1				
328	91001001000	O-RING	1		1A S10		
329	91002800300	O-RING	1		1B P3		
332	36648365220	BALL,STEEL	1		3/32		

**TM-ZE500 41050501116A FRAME/HOOK-IN
PW1050011-00 STOPPER,TIRE**



**TM-ZE500 41050501116A FRAME/HOOK-IN
PX5010112-00 MOUNT ASSY (ACCELERATOR/ZE500STDP & ZE500SL)**

指示番号 KEY NO.	マウントASSY (アクセル/ZE500STDP & ZE500SL) MOUNT ASSY (ACCELERATOR/ZE500STDP & ZE500SL)
1	オペ .ASSY , アクセル OPE .ASSY , ACCELERATOR
2	ハイセンASSY ELEC .ASSY
3	ハイカンASSY PIPING ASSY

**TM-ZE500 41050501116A FRAME/HOOK-IN
PX5010463-00 MOUNT ASSY(ACCELERATOR /MECHANICAL-GOVERNOR:ZE500ST**

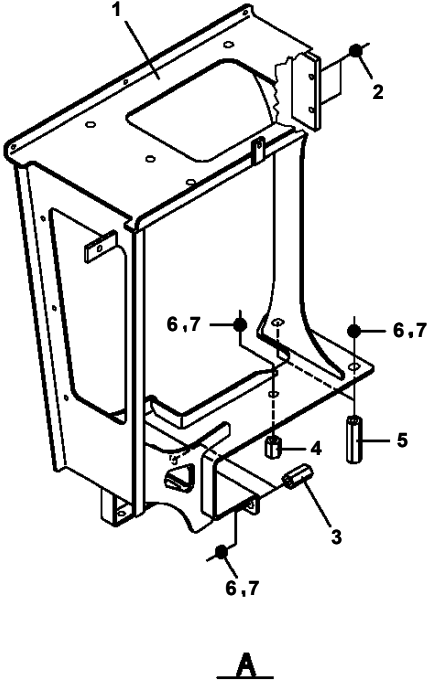
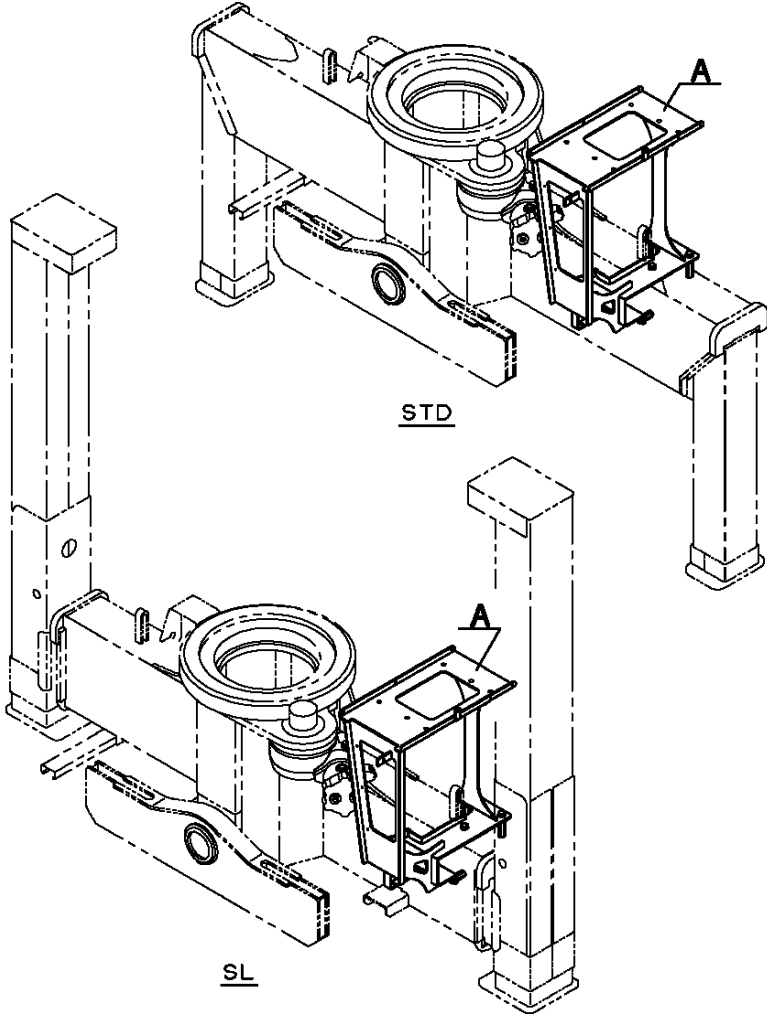
マウントASSY (アクセル/メカシキカ^ハ ナシヤヨウエンジ^ン コントロール:ZE500STDP)
MOUNT ASSY (ACCELERATOR/MECHANICAL-GOVERNOR:ZE500STDP)

指示番号 KEY NO.	部品名称 PART NAME	備考 REMARK
1	オペ .ASSY, アクセル OPE. ASSY, ACCELERATOR	
2	ハイセンASSY ELEC. ASSY	
3	ハイカンASSY PIPING ASSY	

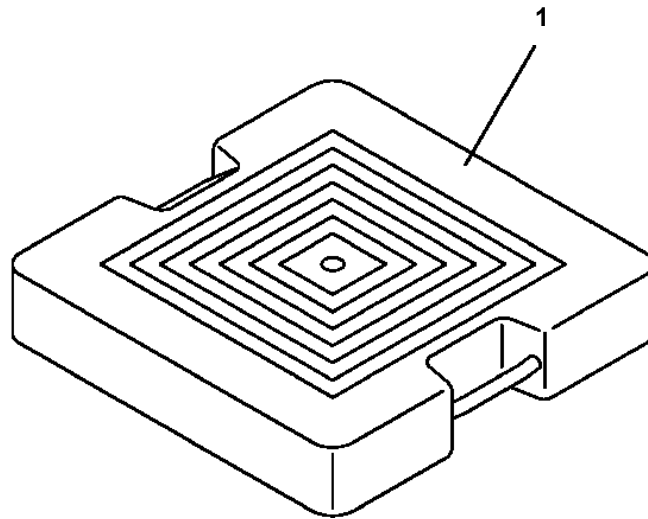
適用製造番号によっては取り付けがないものもあります。

MACHINES OF SOME SERIAL NO. ARE NOT EQUIPPED WITH THESE PARTS.

**TM-ZE500 41050501116A FRAME/HOOK-IN
PX5010576-00 MOUNT ASSY**



**TM-ZE500 41050501116A FRAME/HOOK-IN
PY2340010-01 PLATE (500X500,H=90)**



**TM-ZE500 41050501116A FRAME/HOOK-IN
PY5170038-03 ALARM ASSY (ELEVATION STOWING REMINDER)**

<p>指示番号 KEY NO.</p>	<p>ZE250, ZE260, ZE290, ZE300, ZE360: アラームASSY (キフクカクノウラスレケイホウ/H, HR, HRE, HRES) ALARM ASSY (ELEVATION STOWING REMINDER/H, HR, HRE, HREN)</p> <p>ZE500: アラームASSY (キフクカクノウラスレケイホウ/H, HR, HE, HRE, HREN) ALARM ASSY (ELEVATION STOWING REMINDER/H, HR, HE, HRE, HREN)</p>
<p>.2 ↓ N/A</p>	<p>ハイセンASSY (キフク, フレームフ) ELEC. ASSY (BOOM ELEVATING, FRAME)</p>
<p>.3</p>	<p>ハイセンASSY (カソウシヤリヨウフ /アラーム) ELEC. ASSY (CARRIER/ALARM)</p>
<p>5</p>	<p>プレートASSY, ネーム PLATE ASSY, NAME</p>
<p>.6</p>	<p>ハイセンASSY (キユウハーネスヘンカンヨウ) ELEC. ASSY (HARNESS)</p>

適用製造番号によっては取り付けがないものもあります。

MACHINES OF SOME SERIAL NO. ARE NOT EQUIPPED WITH THESE PARTS.

**TM-ZE500 41050501116A FRAME/HOOK-IN
PY5170065-00 ALARM ASSY (OUTRIGGER REMAINING EXTENDED)**

**アラームASSY (アウトリカ[®] カクノウワスレ)
ALARM ASSY (OUTRIGGER REMAINING EXTENDED)**

指示番号 KEY NO.	部品名称 PART NAME	備考 REMARK
1	アラームASSY ALARM ASSY	アウトリカ [®] 部
4	ハイセンASSY ELEC.ASSY	架装車両部
6	プレートASSY,ネーム PLATE ASSY,NAME	アウトリカ [®] 格納忘れ警報装置付

適用製造番号によっては取り付けがないものもあります。

MACHINES OF SOME SERIAL NO. ARE NOT EQUIPPED WITH THESE PARTS.

TM-ZE500 41050501116A FRAME/HOOK-IN
PY5170070-00 ALARM ASSY (BOOM LOWERING & OUTRIGGER STOWING REMINDER ALARM)

アラームASSY (キフク, アウトリカ[®] カクノウワスレ)

ALARM ASSY (BOOM LOWERING AND OUTRIGGER STOWING REMINDER ALARM)

指示番号 KEY NO.	部品名称 PART NAME	備考 REMARK
1	アラームASSY ALARM ASSY	アウトリカ [®] 部
4	ハイセンASSY ELEC. ASSY	架装車両部
6	プレートASSY, ネーム PLATE ASSY, NAME	フレーム・アウトリカ [®] 格納忘れ警報装置付

適用製造番号によっては取り付けがないものもあります。

MACHINES OF SOME SERIAL NO. ARE NOT EQUIPPED WITH THESE PARTS.

販売部品 検討中につき、イラストはありません。

Parts for sale : Under consideration now.
Therefore not illustrated.

**TM-ZE500 41050501116A FRAME/HOOK-IN
PZ0000000-00 PARTS ASSY,BML**

販売部品 検討中につき、イラストはありません。

**Parts for sale : Under consideration now.
Therefore not illustrated.**

**TM-ZE500 41050501116A FRAME/HOOK-IN
PZ0000000-00 PARTS ASSY,BML**

販売部品 検討中につき、イラストはありません。

**Parts for sale : Under consideration now.
Therefore not illustrated.**

CLICK HERE TO **DOWNLOAD** THE COMPLETE MANUAL

- Thank you very much for reading the preview of the manual.
- You can download the complete manual from: www.heydownloads.com by clicking the link below



- Please note: If there is no response to CLICKING the link, please download this PDF first and then click on it.

CLICK HERE TO **DOWNLOAD** THE COMPLETE MANUAL