

**TM-ZE500 41050501255A FRAME/PRIM ECO**

PB0000222-01 SYSTEM (ZE500SL,DOMESTIC)

ASSEMBLY

CLICK HERE TO **DOWNLOAD** THE COMPLETE MANUAL

- Thank you very much for reading the preview of the manual.
- You can download the complete manual from: [www.heydownloads.com](http://www.heydownloads.com) by clicking the link below

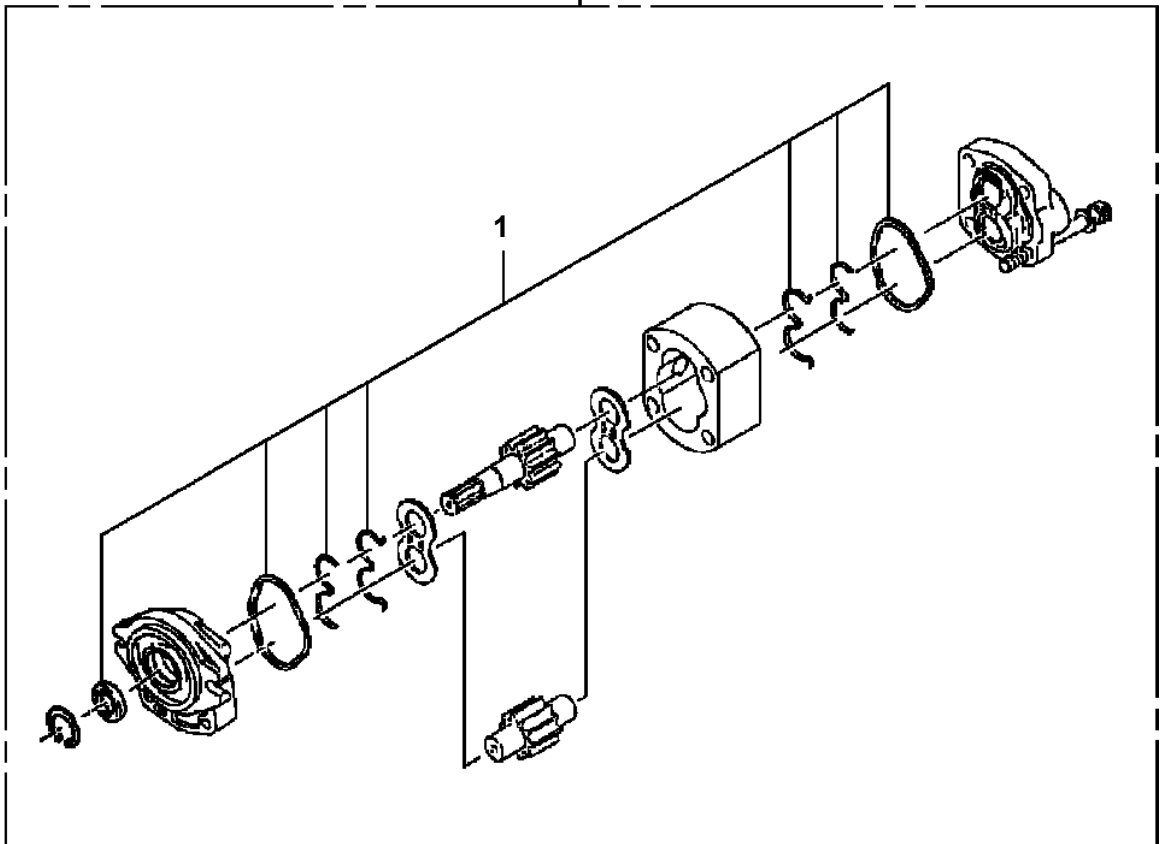


- Please note: If there is no response to CLICKING the link, please download this PDF first and then click on it.

CLICK HERE TO **DOWNLOAD** THE COMPLETE MANUAL

TM-ZE500 41050501255A FRAME/PRIM ECO  
PB1100144-02 PUMP, HYDRAULIC (52CC:L)

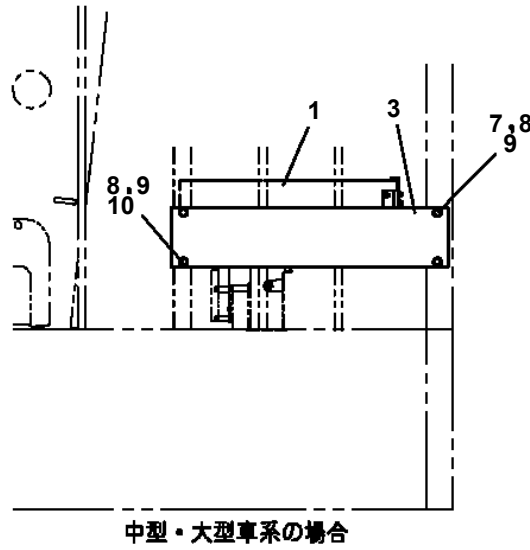
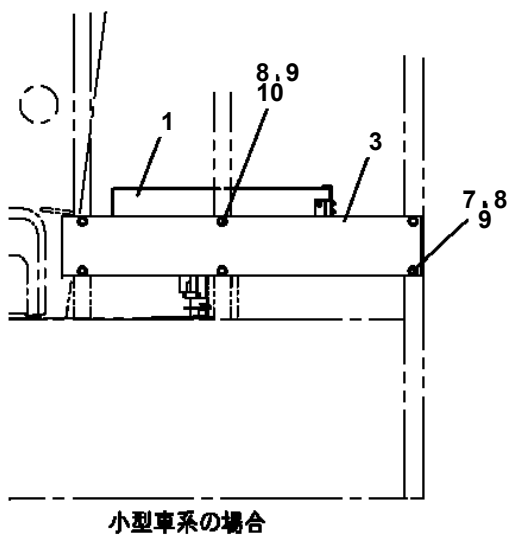
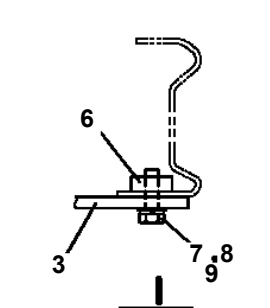
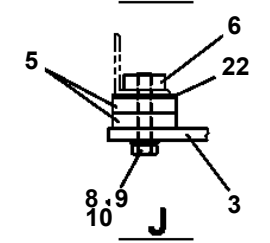
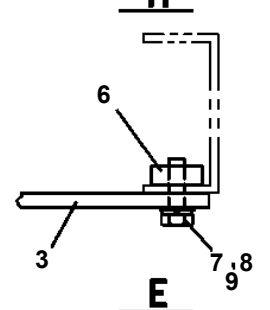
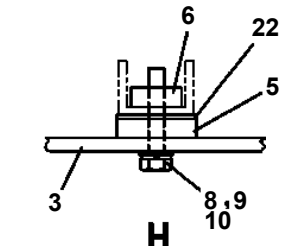
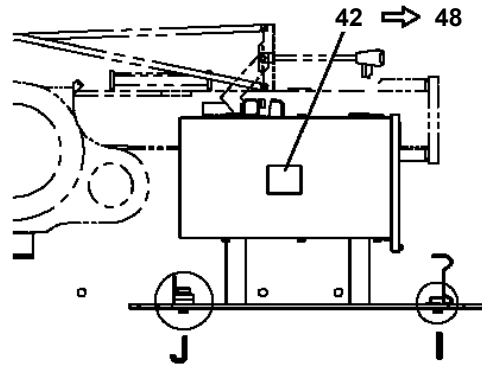
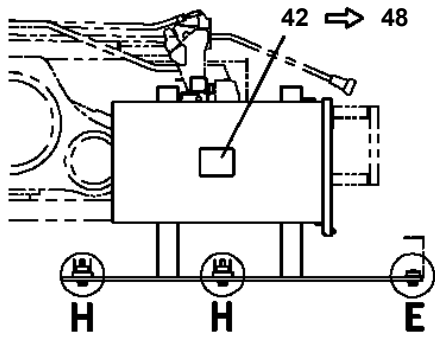
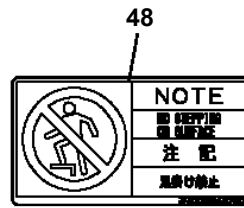
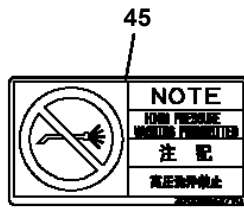
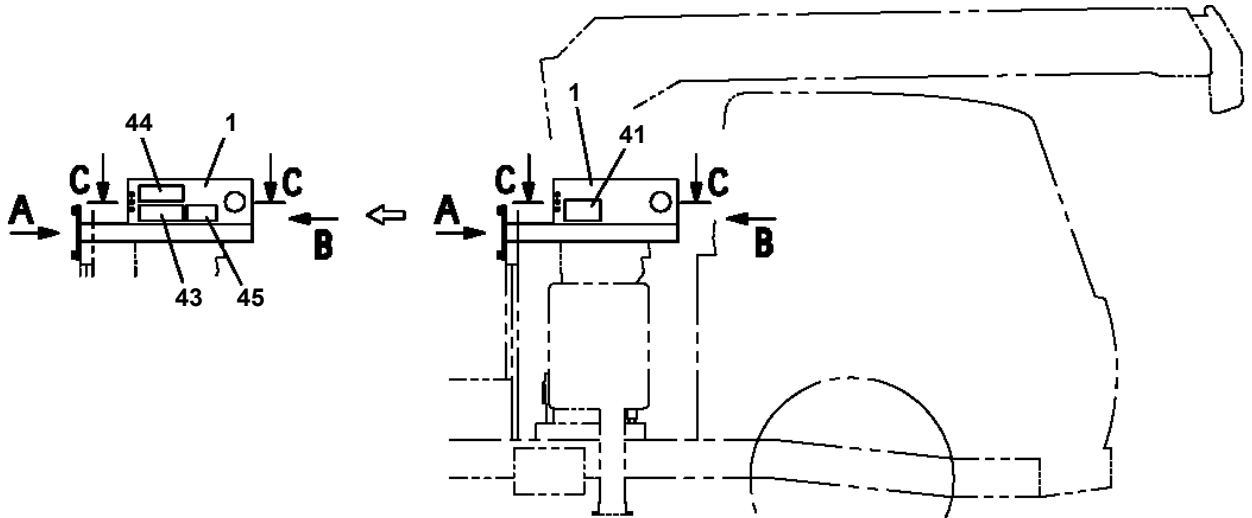
30



**TM-ZE500 41050501255A FRAME/PRIM ECO  
PB1130277-00 TANK,OIL (LARGE AMOUNT)**

1	タンク,オイル TANK,OIL
2	パイピング,ロー PIPING,LOWER

TM-ZE500 41050501255A FRAME/PRIM ECO  
 PB1380332-03 POWER SUPPLY (100V POWER SOURCE/1500W)



# TM-ZE500 41050501255A FRAME/PRIM ECO

Pos No.	Parts No	Parts Name	Qty	Unit	Technical Data	Serial No (Start)	Serial No (End)	Rem
9	36804915010	O-RING (CASE)	1					
19	36804915020	PIN	1					
20	36804915030	RING	1					
37	36806815040	HARNES	1					
49	36806815060	RUBBER (FRONT)	1					
52	36806815050	SCREW,TAPPING (3X8)	3					
53	36805005010	PLATE,NAME	1					
54	36804915080	LABEL (SERIAL)	1					
101	36806815010	CASE ASSY (LOWER)	1					
102	36804915100	GUARD ASSY (HAND)	1					
103	36806815020	CABLE ASSY	1					
104	36806575010	LEVER ASSY (TRIGGER)	1					
106	36806815030	PANEL ASSY (INNER)	1					
108	36804915150	SWITCH ASSY	1					
109	36804915160	CASE ASSY (FRONT)	1					
201	36804915170	STRAP	1					
900	36806810000	BOX,OPERATION (10M CABLE)	1					

# TM-ZE500 41050501255A FRAME/PRIM ECO

Pos No.	Parts No	Parts Name	Qty	Unit	Technical Data	Serial No (Start)	Serial No (End)	Remarks
1	90172110065	BOLT,HEXAGON SOCKET	4		M10X65			
	90172110065	BOLT,HEXAGON SOCKET	4		M10X65			
	90172110065	BOLT,HEXAGON SOCKET	4		M10X65			
2	36624690000	VALVE,PILOT CHECK	1					
	36624690000	VALVE,PILOT CHECK	1					
	36624690000	VALVE,PILOT CHECK	1					
3	36034570000	CYLINDER ASSY,JACK	1					
	36034570000	CYLINDER ASSY,JACK	1					
	36034570000	CYLINDER ASSY,JACK	1					

# TM-ZE500 41050501255A FRAME/PRIM ECO

Pos No.	Parts No	Parts Name	Qty	Unit	Technical Data	Serial No (Start)	Serial No (End)	R
1	(*****)	MOUNT ASSY	1				PA0672	
	(*****)	MOUNT ASSY	1			PA0673	PA2278	
	(*****)	MOUNT ASSY	1			PA2279		
2	(*****)	PIPING ASSY	1				PA0672	
	(*****)	PIPING ASSY	1			PA0673	PA2278	
	(*****)	PIPING ASSY	1			PA2279		
3	(*****)	ELEC.ASSY (POWE SUPPLY/FRAME)	1				PA0863	
	(*****)	ELEC.ASSY (POWE SUPPLY/FRAME)	1			PA0864	PA2278	
	(*****)	ELEC.ASSY	1			PA2279		

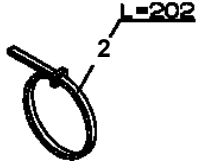
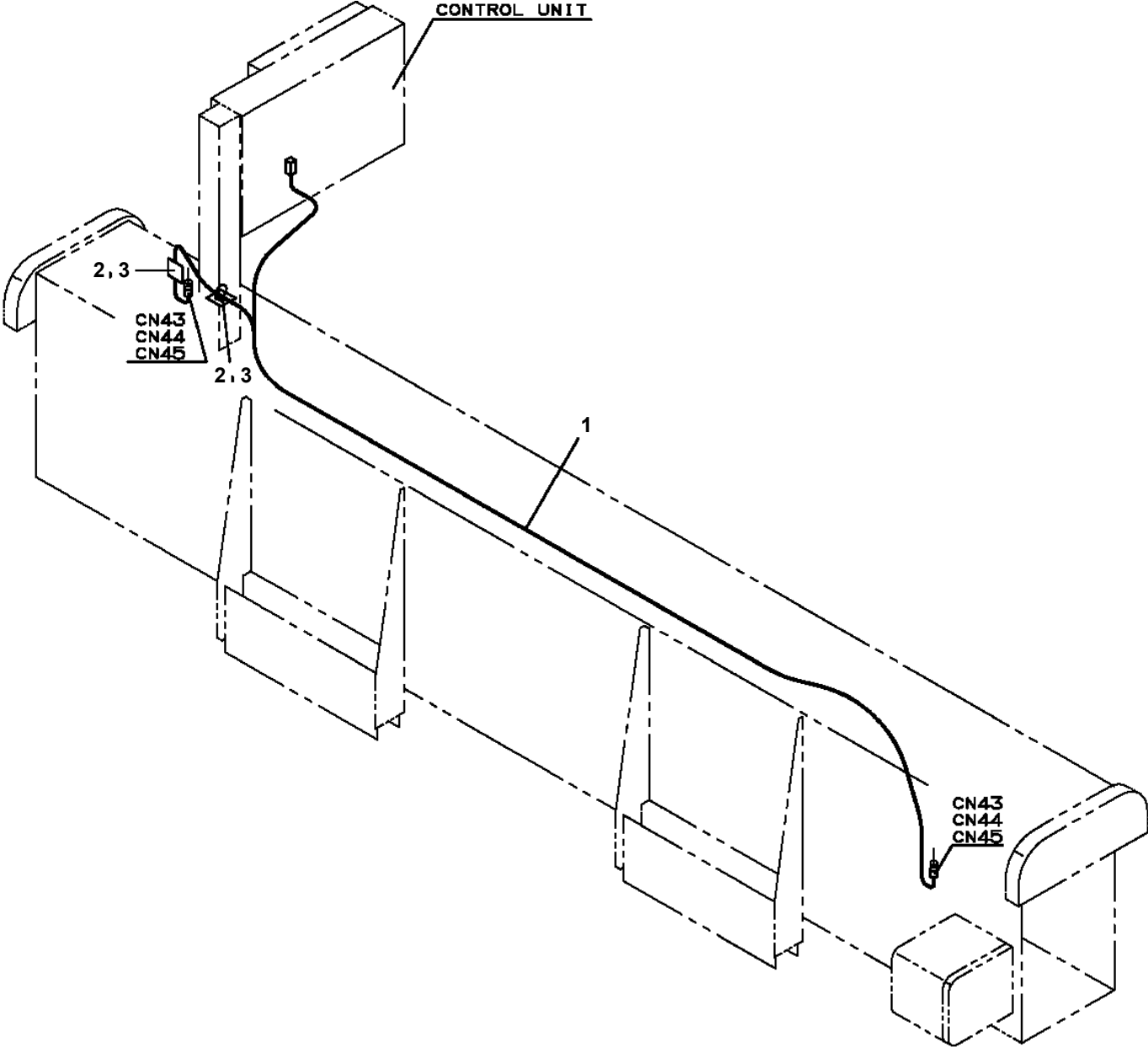
# TM-ZE500 41050501255A FRAME/PRIM ECO

Pos No.	Parts No	Parts Name	Qty	Unit	Technical Data	Serial No (Sta
1	36042151001	CYLINDER	1			
	36042151001	CYLINDER	1			
	36042151001	CYLINDER	1			
2	90201201800	NUT	1		M18	
	90201201800	NUT	1		M18	
	90201201800	NUT	1		M18	
3	91100104000	SEAL,RING	1			
	91100104000	SEAL,RING	1			
	91100104000	SEAL,RING	1			
4	36041070400	PISTON	1			
	36043560100	PISTON	1			EW6749
	36043560100	PISTON	1			EW6749
	36043560100	PISTON	1			EW6749
5	36043652000	ROD	1			
	36043652001	ROD	1			EW6749
	36043652001	ROD	1			EW6749
6	36041541000	COVER,ROD	1			
	36041541000	COVER,ROD	1			
	36041541000	COVER,ROD	1			
7	91002803900	O-RING	1		1B P39	
	91002803900	O-RING	1		1B P39	
	91002803900	O-RING	1		1B P39	
8	91694003000	PACKING	1			
	91694003000	PACKING	1			
	91694003000	PACKING	1			
9	91411203001	RING,BACKUP	1			
	91411203001	RING,BACKUP	1			
	91411203001	RING,BACKUP	1			
10	91660003001	SEAL,DUST	1			
	91660003001	SEAL,DUST	1			
	91660003001	SEAL,DUST	1			
11	91002802000	O-RING	1		1B P20	EW6749
	91002802000	O-RING	1		1B P20	EW6749
	91002802000	O-RING	1		1B P20	EW6749
30	36041699900	PACKING SET	1		30X40	
40	36043569900	PACKING SET	1		30X40	EW6749
	36043569900	PACKING SET	1		30X40	EW6749
	36043569900	PACKING SET	1		30X40	EW6749
100	36043670000	CYLINDER ASSY,EXTENSION (LEFT/FRICTION-WELDED)	1			
	36043670000	CYLINDER ASSY,EXTENSION (LEFT/FRICTION-WELDED)	1			
	36043670000	CYLINDER ASSY,EXTENSION (LEFT/FRICTION-WELDED)	1			

# TM-ZE500 41050501255A FRAME/PRIM ECO

Pos No.	Parts No	Parts Name	Qty	Unit	Technical Data	Serial No (Start)	Serial No (End)	Remarks	Pa
1	90101206014	BOLT	1		M6X14		PA2163		
2	90303070601	WASHER,PLAIN	1		6		PA2163		
3	82401800060	PLUG (FOR M6)	4						
4	31474661600	PLUG (2-POES,MALE)	1						
5	82108501340	SWITCH	1						
6	31656312100	HARNESS	1						00
7	91810130250	FASTENER	11						
8	91850310405	CLAMP (BLACK)	1						

TM-ZE500 41050501255A FRAME/PRIM ECO  
PE5020081-00 ELEC.ASSY



# TM-ZE500 41050501255A FRAME/PRIM ECO

Pos No.	Parts No	Parts Name	Qty	Unit	Technical Data	Serial No (Start)	Serial No (End)
1	31362353100	HARNESS	1				
2	31731612100	HARNESS	1		L=1450		EW8209
	31731612200	HARNESS	1		L=1450	EW8210	
4	90186206014	BOLT,FLANGE	2		M6X14		
5	91810130250	FASTENER	18				
6	91850310405	CLAMP (BLACK)	5				
7	31361292100	PLUG	1				EW9502
8	31502851200	HARNESS	1		L=310	EW8221	
27	31476751010	CONNECTOR	1			EW9503	
31	31656011200	COVER	1				
32	37002227560	PLATE,NAME (BLACK)	3		D=16		
33	82100002596	RELAY	1				PA2575
34	90280200600	NUT,FLANGE	1		M6		
35	80192486014	SCREW,MACHINE (WITH WASHER)	1		M6X14		PA2575
53	34354781720	RELAY (WITH HARNESS)	1			PA2576	
55	80197586012	SCREW,MACHINE	1		M6X12	PA2576	

## TM-ZE500 41050501255A FRAME/PRIM ECO

Pos No.	Parts No	Parts Name	Qty	Unit	Technical Data	Serial No (Start)	Serial No (End)	Remarks
1	31501192100	SUPPORT	1					
2	31501192200	PLATE	1					
3	90186210016	BOLT,FLANGE	2		M10X16			
4	31650690400	SUPPORT	1					
5	90813108020	BOLT,WING	1		M8X20			
6	90309331201	WASHER	2		L12			
7	90303071201	WASHER,PLAIN	1		12			
8	90236201200	NUT,CASTLE	1		2H M12			
9	80136325025	PIN,SPLIT	1		2.5X25			
10	31650690500	LEVER	1					
11	82165700010	LAMP	1					
12	90280201000	NUT,FLANGE	1		M10			
13	90186206010	BOLT,FLANGE	1		M6X10			
14	90280200600	NUT,FLANGE	1		M6			
15	82401600504	CLAMP	3		D=4.5			
16	91810130240	FASTENER	2					
17	90813108016	BOLT,WING	2		M8X16			
18	90302040801	WASHER,SPRING	2		8			
19	42507690100	SUPPORT	1					
20	90303070801	WASHER,PLAIN	2		8			
21	31503072100	HARNESS	1					
22	37002212770	PLATE,NAME (DC24V,0.1A)	1			PA1302		

# TM-ZE500 41050501255A FRAME/PRIM ECO

Pos No.	Parts No	Parts Name	Qty	Unit	Technical Data	Serial No (Start)	Serial No (End)	Remarks	Pages
1	31502673100	HARNESS	1		L=6000				
2	82115001002	CONNECTOR	2						
3	91810130240	FASTENER	10						
4	82115001005	CONNECTOR	2						

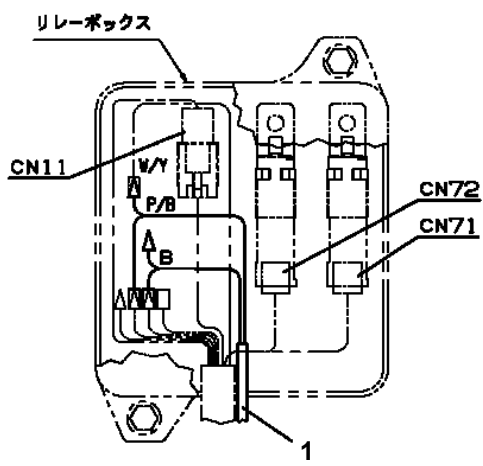
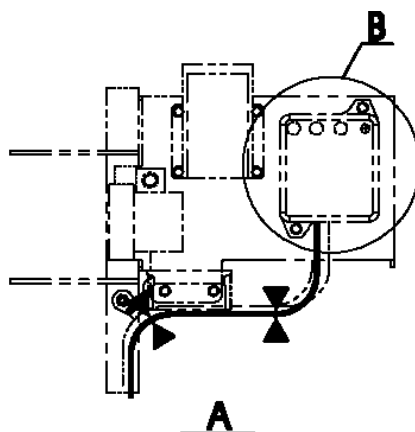
# TM-ZE500 41050501255A FRAME/PRIM ECO

Pos No.	Parts No	Parts Name	Qty	Unit	Technical Data	Serial No (Start)	Serial No (End)	Remarks	Pages
1	31501611100	HARNESS	1						000181

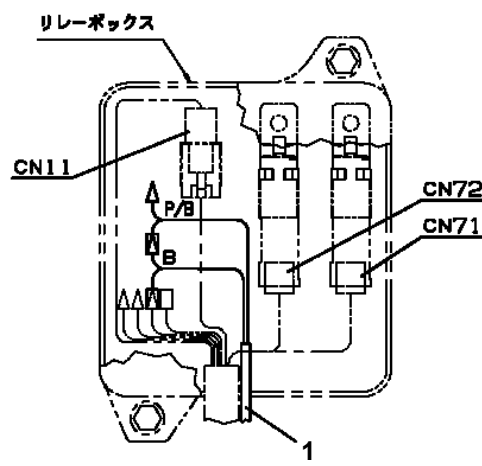
# TM-ZE500 41050501255A FRAME/PRIM ECO

Pos No.	Parts No	Parts Name	Qty	Unit	Technical Data	Serial No (Start)	Serial No (End)
1	31656650101	HARNESS	1				
4	31656010201	SUPPORT	1				
5	90171110018	BOLT	4		M10X18		
6	90302041001	WASHER,SPRING	4		10		
7	90186208014	BOLT,FLANGE	4		M8X14		
8	31653241300	COVER	2				
9	90186206010	BOLT,FLANGE	4		M6X10		
10	31657170700	SPEAKER (ASSY ONLY)	1				
11	90186210020	BOLT,FLANGE	1		M10X20		
12	90280201000	NUT,FLANGE	1		M10		
14	90101206014	BOLT	2		M6X14		
15	90303070601	WASHER,PLAIN	3		6		
16	90280200600	NUT,FLANGE	1		M6		
17	91850100802	CLAMP	13				
18	91810130250	FASTENER	21				
19	91850310405	CLAMP (BLACK)	2				
20	80192483006	SCREW,MACHINE	4		M3X6		
41	31653243100	SUPPORT	2				
42	31656012111	SWITCH ASSY (PLATING:NACC)	1				
	31656012120	SWITCH ASSY (GREEN:PANASONIC)	1				
43	31656012211	SWITCH ASSY (PLATING:NACC)	2				
44	82197518114	CAP (MATSUSHITA/BLACK)	4				
	82197518119	CAP (PLUS ONE MFG./BLACK)	4				
45	82197600101	CAP (BLACK)	2				
46	82197600103	CAP (RED)	2				
62	31656013120	SWITCH ASSY (WITH HARNESS/PANASONIC)	1				
	31656013111	SWITCH ASSY (WITH HARNESS:PLATING/NACC)	1				
81	31656011200	COVER	1				
82	37002227560	PLATE,NAME (BLACK)	3		D=16		
83	82100002596	RELAY	1				
84	90280200600	NUT,FLANGE	1		M6		
85	80192486014	SCREW,MACHINE (WITH WASHER)	1		M6X14		

TM-ZE500 41050501255A FRAME/PRIM ECO  
 PE5020752-00 ELEC.ASSY (HARNESS)



起伏格納忘れ警報を取付ける場合



起伏格納忘れ警報を取付けない場合

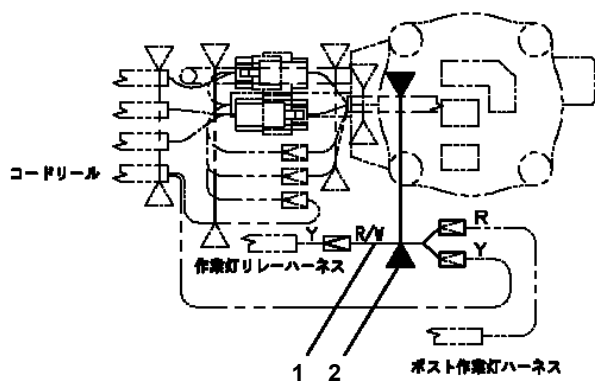
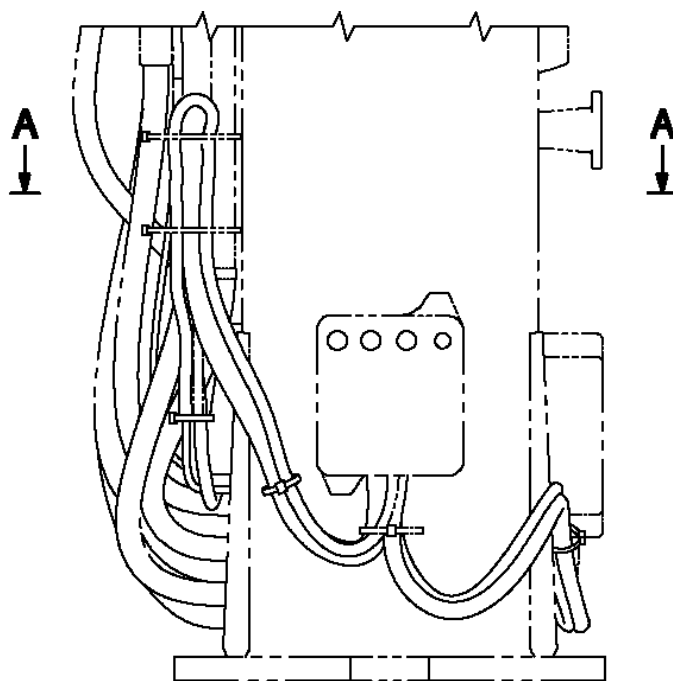
**B**  
 リレーボックス詳細



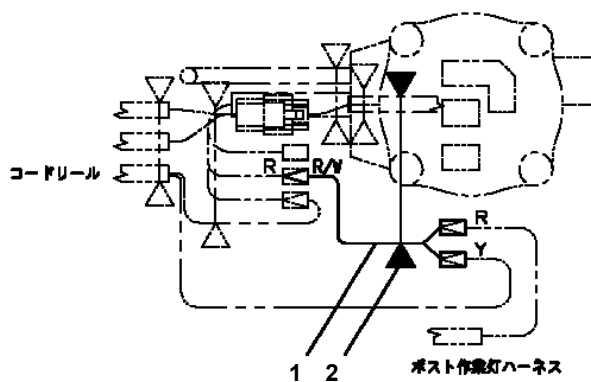
## TM-ZE500 41050501255A FRAME/PRIM ECO

Pos No.	Parts No	Parts Name	Qty	Unit	Technical Data	Serial No (Start)	Serial No (End)	Remarks
2	90101208020	BOLT	2		M8X20			
3	90302040801	WASHER,SPRING	2		8			
4	37000564760	PLATE	1					
5	31652231200	SPRING	1					
6	80172305010	SCREW,MACHINE	2		M5X10			
7	82401601002	CLAMP	3					
8	91810130240	FASTENER	14					
9	31502672200	HARNESS	1					
10	31360191200	SUPPORT	1					
11	90203201200	NUT	1		M12			
12	37000575830	PLATE	1					
13	90186208014	BOLT,FLANGE	2		M8X14			
14	36161340000	REEL,CORD	1					
15	90280200600	NUT,FLANGE	3		M6			
16	31502672301	HARNESS	1					
17	34354781710	RELAY (WITH BRACKET)	1					
18	80197586012	SCREW,MACHINE	1		M6X12			
41	31502672110	SUPPORT	1					
42	31652231140	SWITCH	1					
43	80161302012	SCREW,MACHINE	2		M20X12			
44	90302040201	WASHER,SPRING (2)	2					
45	90303070201	WASHER,PLAIN	2		2			
46	82401601002	CLAMP	1					
47	91810130230	FASTENER	1					
48	90201200200	NUT	2		M2			

TM-ZE500 41050501255A FRAME/PRIM ECO  
 PE5020929-00 ELEC.ASSY



**A-A**  
 (C/J: 7極の場合)



**A-A**  
 (C/J: 5極の場合)

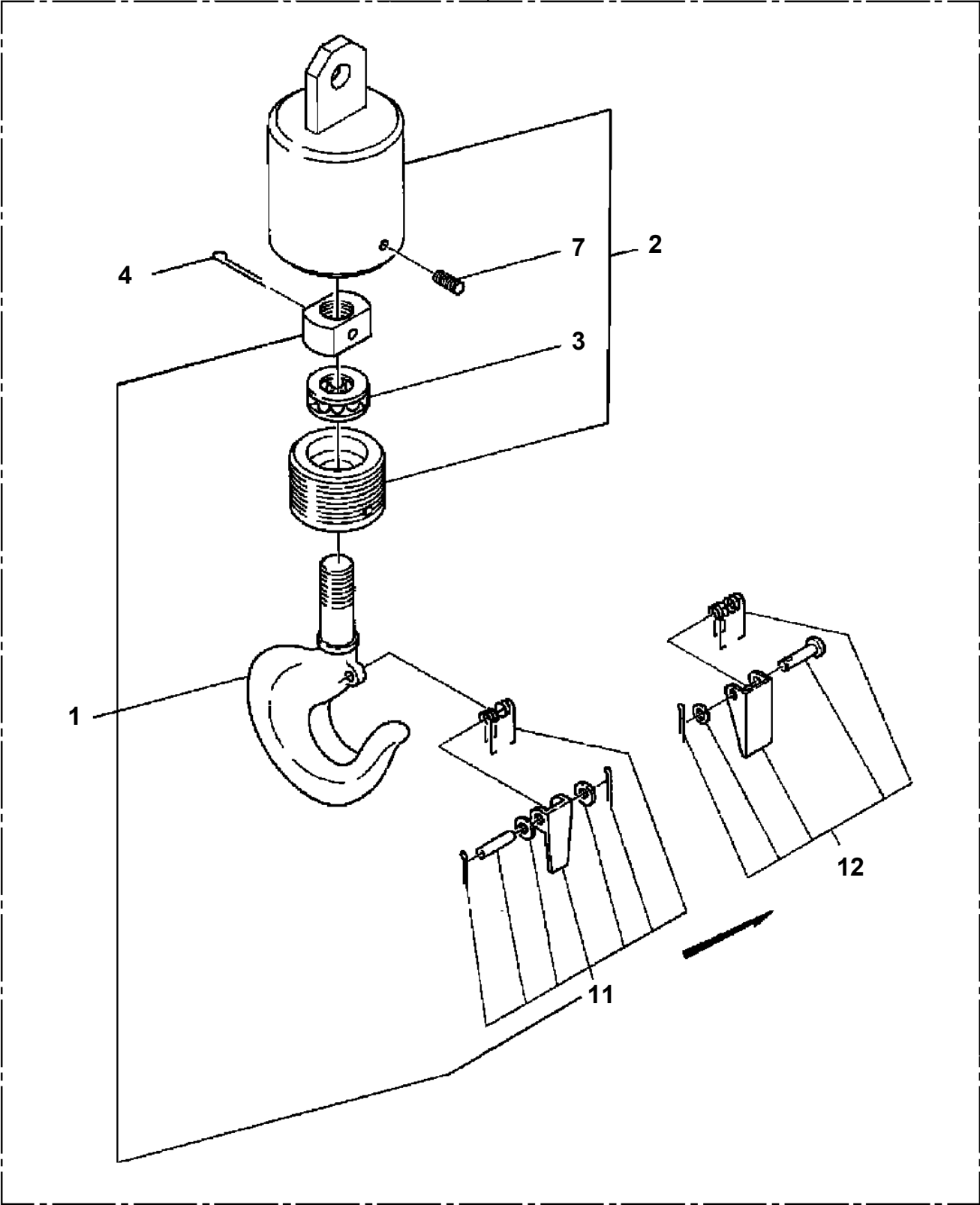


# TM-ZE500 41050501255A FRAME/PRIM ECO

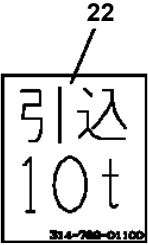
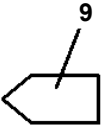
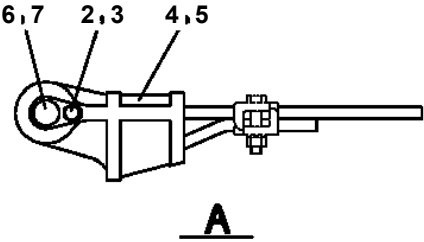
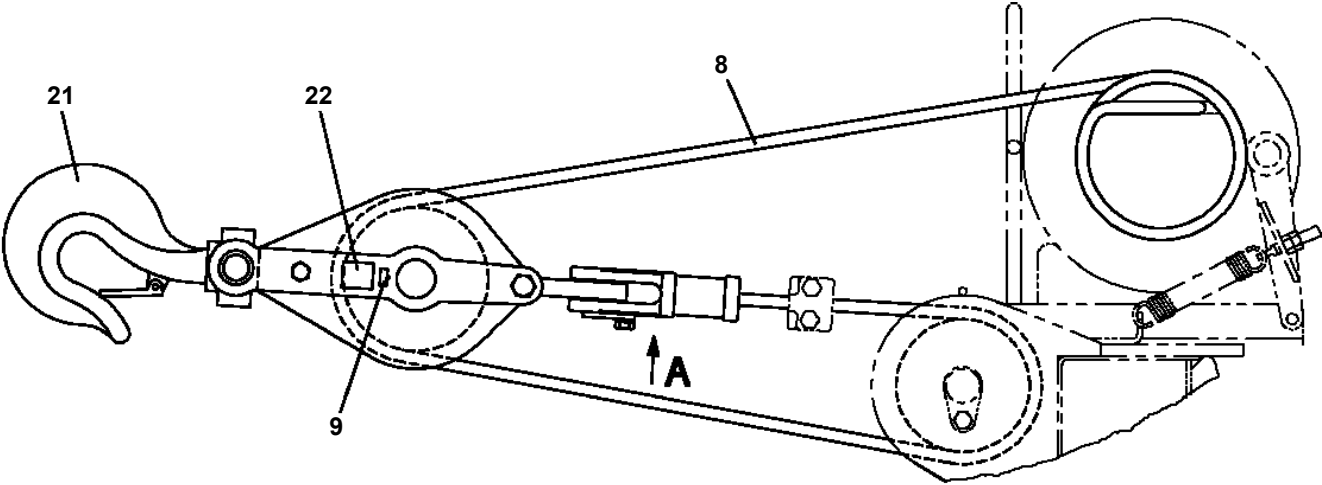
Pos No.	Parts No	Parts Name	Qty	Unit	Technical Data	Serial No (Start)	Serial No (End)	Remarks
64	36072815410	BOLT,FLAT HEAD	5					
65	90201201000	NUT	12		M10			
66	90101208020	BOLT	2		M8X20			
67	90201200800	NUT	2		M8			
68	90302041601	WASHER,SPRING	4		16			
69	90302041201	WASHER,SPRING	4		12			
70	90302041001	WASHER,SPRING	5		10			
71	90302040801	WASHER,SPRING	14		8			
72	90302040601	WASHER,SPRING	4		6			
73	90303071001	WASHER,PLAIN	2		10			
74	36072815420	SPRING	1					
75	36072815430	BALL,STEEL	1					
76	80136320020	PIN,SPLIT	2		2X20			
77	80601110350	RING,RITAINING	1		S35			
78	36072815440	PIN (PARALLEL)	1					
79	36072815450	SPRING	1					
100	36072810000	WINCH (HARTYS)	1					

TM-ZE500 41050501255A FRAME/PRIM ECO  
PF1050161-03 HOOK (1-PART LINE ,OPTION)

20



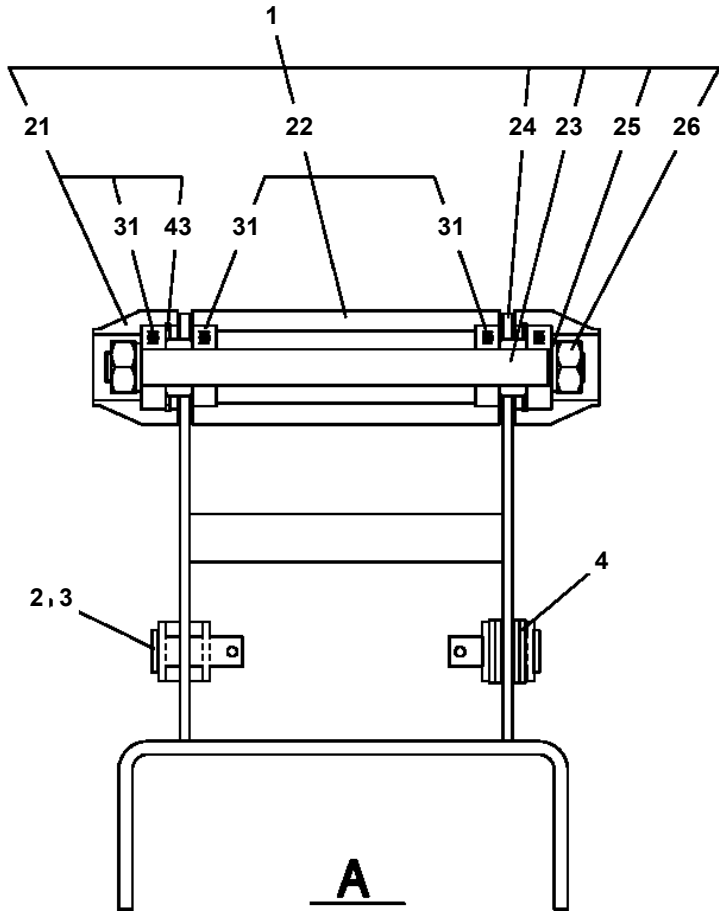
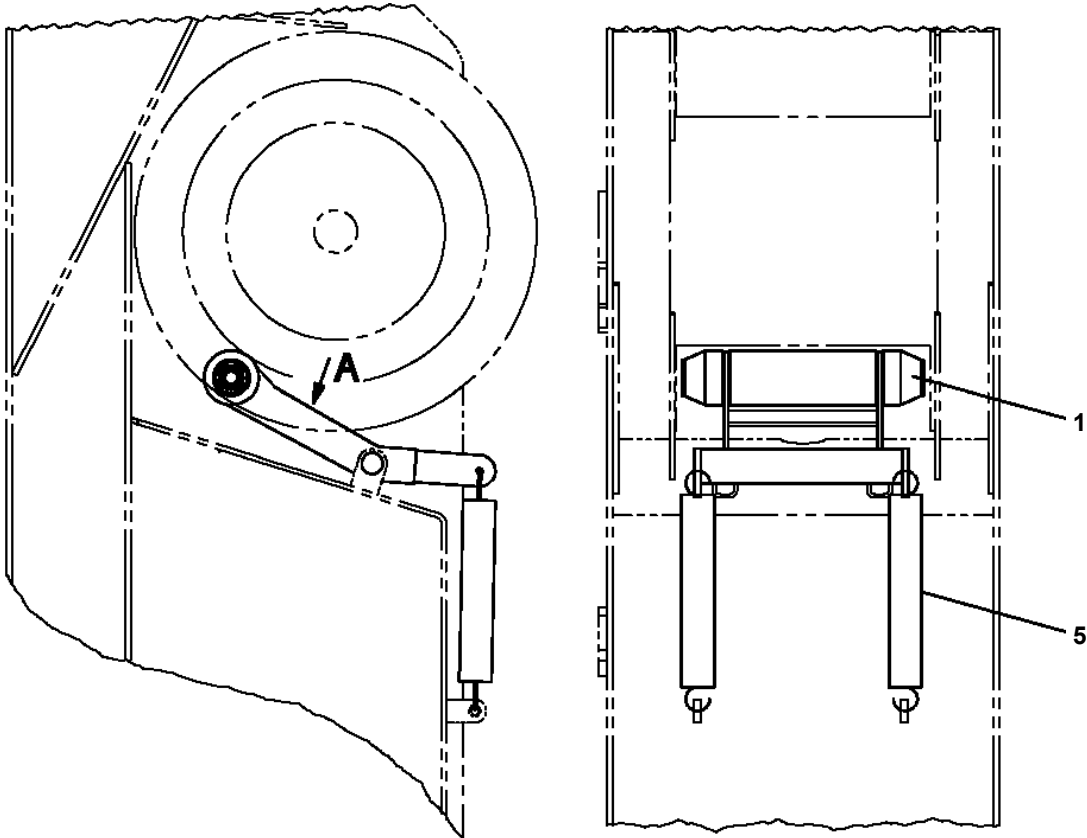
TM-ZE500 41050501255A FRAME/PRIM ECO  
PF1050339-02 HOOK (4TON SELF WINCH,3-PART LINE)



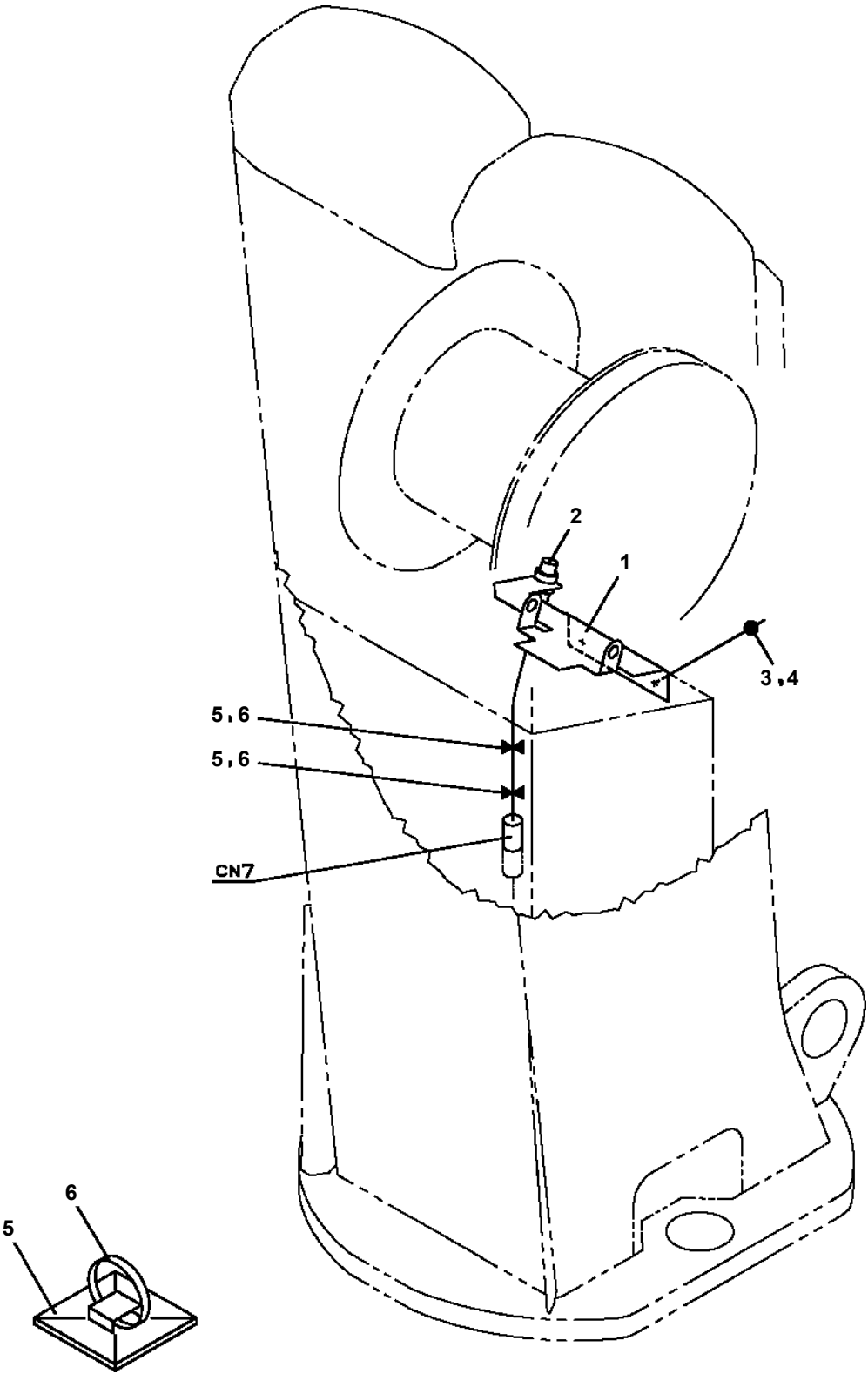
**TM-ZE500 41050501255A FRAME/PRIM ECO  
PF1050464-00 HOOK (1-PART LINE)**

1	フック HOOK
2	プレートASSY,ネーム PLATE ASSY,NAME
3	ディテクタ,オーバワイント DETECTOR,OVER WIND

TM-ZE500 41050501255A FRAME/PRIM ECO  
PF1180067-01 DETECTOR,DISORDERLY WINDING



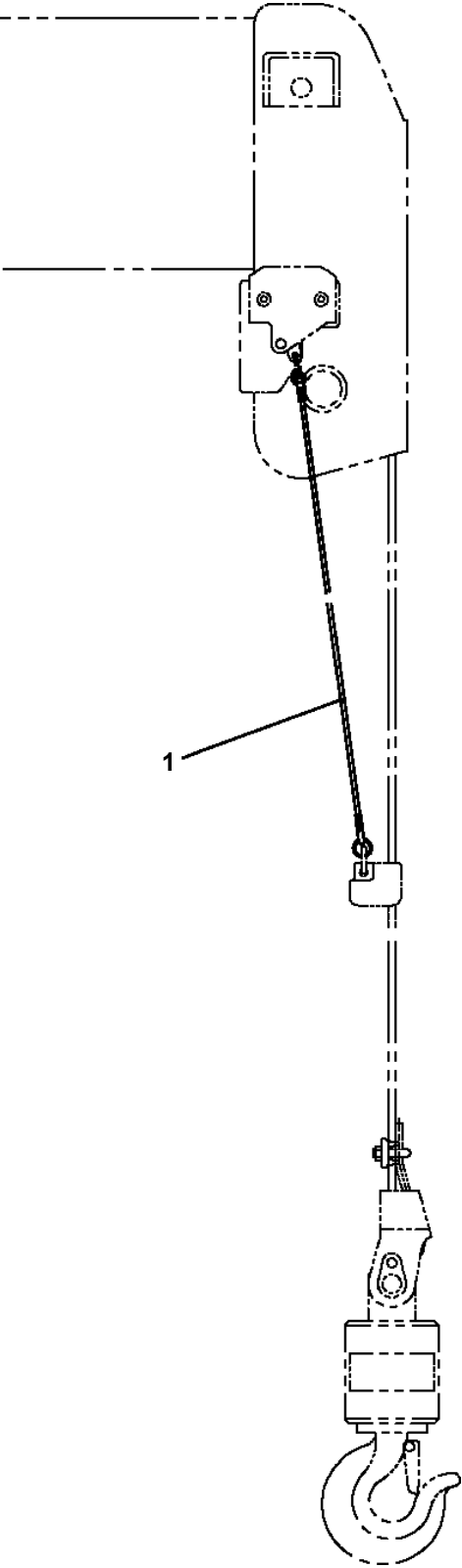
TM-ZE500 41050501255A FRAME/PRIM ECO  
PF1260035-01 INDICATOR,DRUM (OVER-UNWINDING CUTOUT)



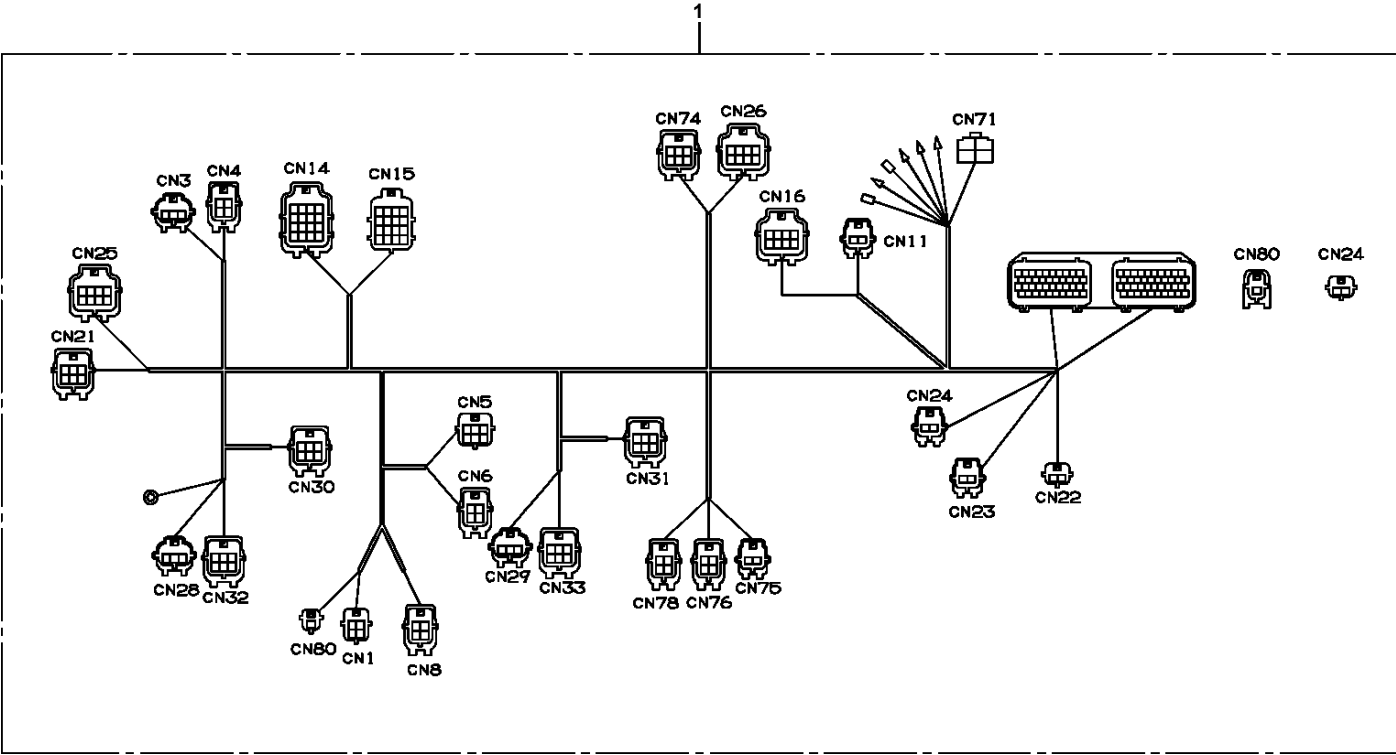
# TM-ZE500 41050501255A FRAME/PRIM ECO

Pos No.	Parts No	Parts Name	Qty	Unit	Technical Data	Serial No (Start)	Serial No
1	31625400100	CASE, OUTER	1				
2	31623762000	CASE, INNER	2				
3	31621343000	CASE (LEFT H=555)	1				
4	31621344000	CASE (RIGHT H=555)	1				
5	31625400300	SUPPORT	1				
6	31625400400	SUPPORT	1				
7	90171118040	BOLT	8		M18X40		
8	90302041801	WASHER, SPRING	8		18		
9	31200713400	SHIM	2		T=0.6		
10	31621340401	COVER	2				
11	90186208016	BOLT, FLANGE	4		M8X16		
12	37000162930	PIN	2				
13	80306010085	NUT	4				
14	80309010085	SLEEVE	4				
15	31620386000	BOLT	2				
16	90203252000	NUT	2				
17	37000300170	SPACER	4		L=16		
18	42310210500	PIN	2				
19	37000308620	SPACER	4				
21	37003100030	GRIP	2				
22	37001200720	SPRING	2				
23	31621340200	PIN	2				
24	31621340100	PLATE	2				
25	90172112030	BOLT, HEXAGON SOCKET	12		M12X30		
26	90302401201	WASHER, SPRING (12)	12				
27	31620437000	GUIDE	8				
28	90101210025	BOLT	8		M10X25		
29	90302041001	WASHER, SPRING	8		10		
30	81408000130	PIPE, STEEL	1	M	10X1.8T		EW8133
	81408000100	PIPE, STEEL	1	M	10X1.2T	EW8134	
31	81408000130	PIPE, STEEL	1	M	10X1.8T		EW8133
	81408000100	PIPE, STEEL	1	M	10X1.2T	EW8134	
32	81408000130	PIPE, STEEL	1	M	10X1.8T		EW8133
	81408000100	PIPE, STEEL	1	M	10X1.2T	EW8134	
33	81408000130	PIPE, STEEL	1	M	10X1.8T		EW8133
	81408000100	PIPE, STEEL	1	M	10X1.2T	EW8134	
34	80302010100	FITTING	4		KCT10-020N		
35	82456201000	NIPPLE, GREASE	2		A-TYPE PT1/8		EW8052
	82456101000	NIPPLE, GREASE	2		A-PT1/8	EW8053	
37	80601110200	RING, RETAINING	8		S20		
38	37001100660	ROLLER ASSY	6				
39	37000303100	SPACER	2		L=129		
61	31622141200	PIN ASSY	2				
71	31642900100	PIPE ASSY (LEFT)	1				
72	31642900200	PIPE ASSY (RIGHT)	1				
73	37002408200	HOSE	4		L=1060		
74	44340295000	JOINT, SWIVEL	4		PT1/4XPF1/4		
75	90101210020	BOLT	4		M10X20		
76	90302041001	WASHER, SPRING	4		10		
91	44340297520	REPAIR KIT (O-RINGX2 BACKUPX2SEALX2)	4				
102	80516006004	BEARING, BALL	6				

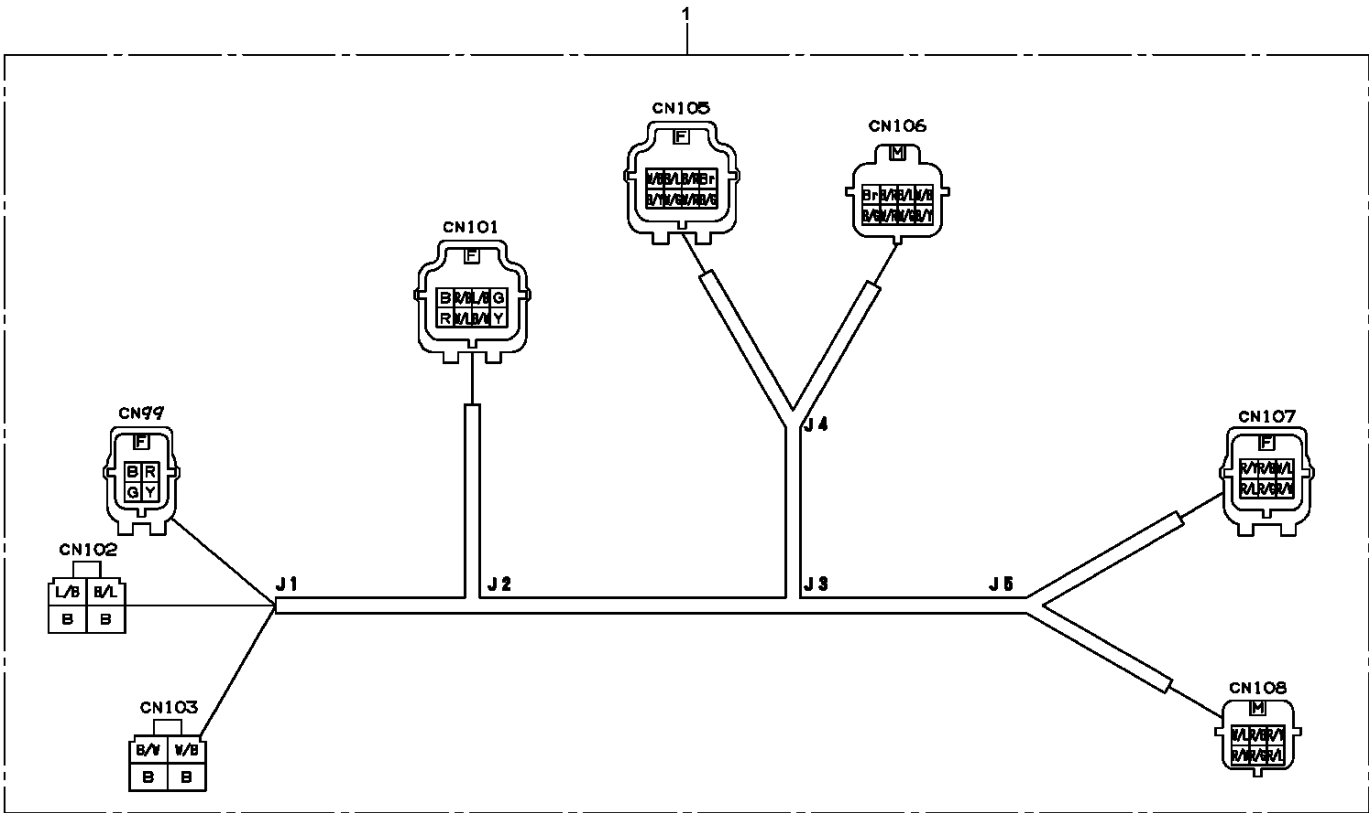
**TM-ZE500 41050501255A FRAME/PRIM ECO  
PH1060338-00 DETECTOR,OVER WINDING**



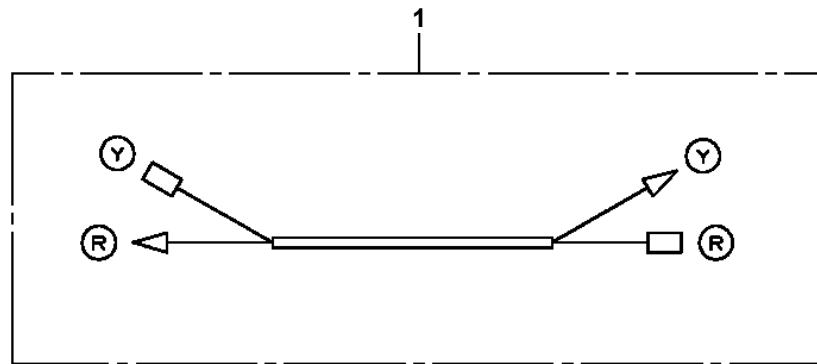
TM-ZE500 41050501255A FRAME/PRIM ECO  
PH5030462-00 HARNESS



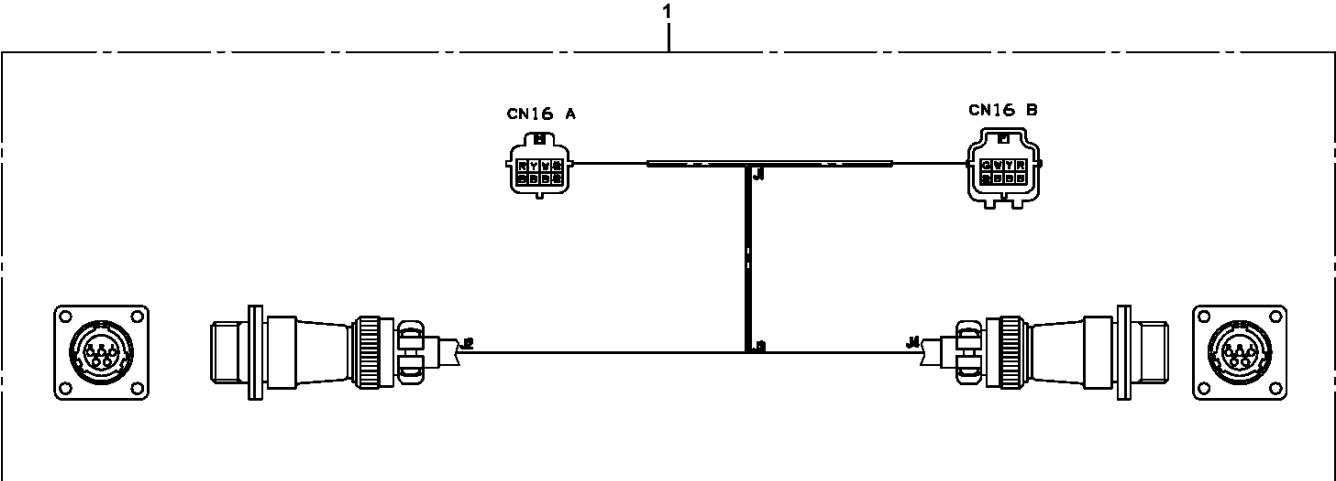
TM-ZE500 41050501255A FRAME/PRIM ECO  
PH5030675-00 HARNESS



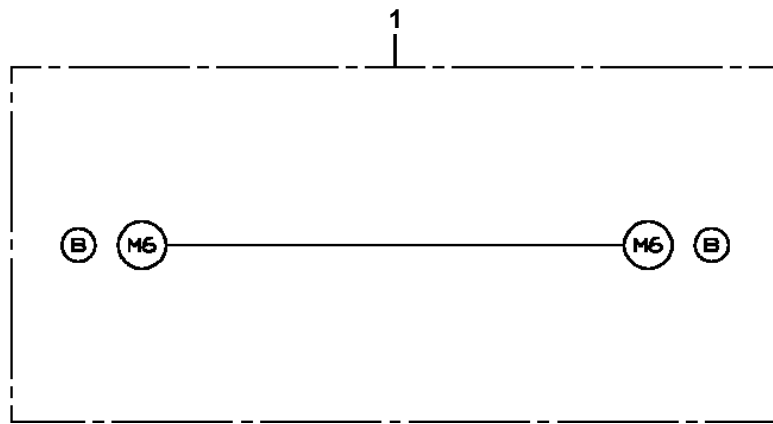
TM-ZE500 41050501255A FRAME/PRIM ECO  
PH5030710-00 HARNESS



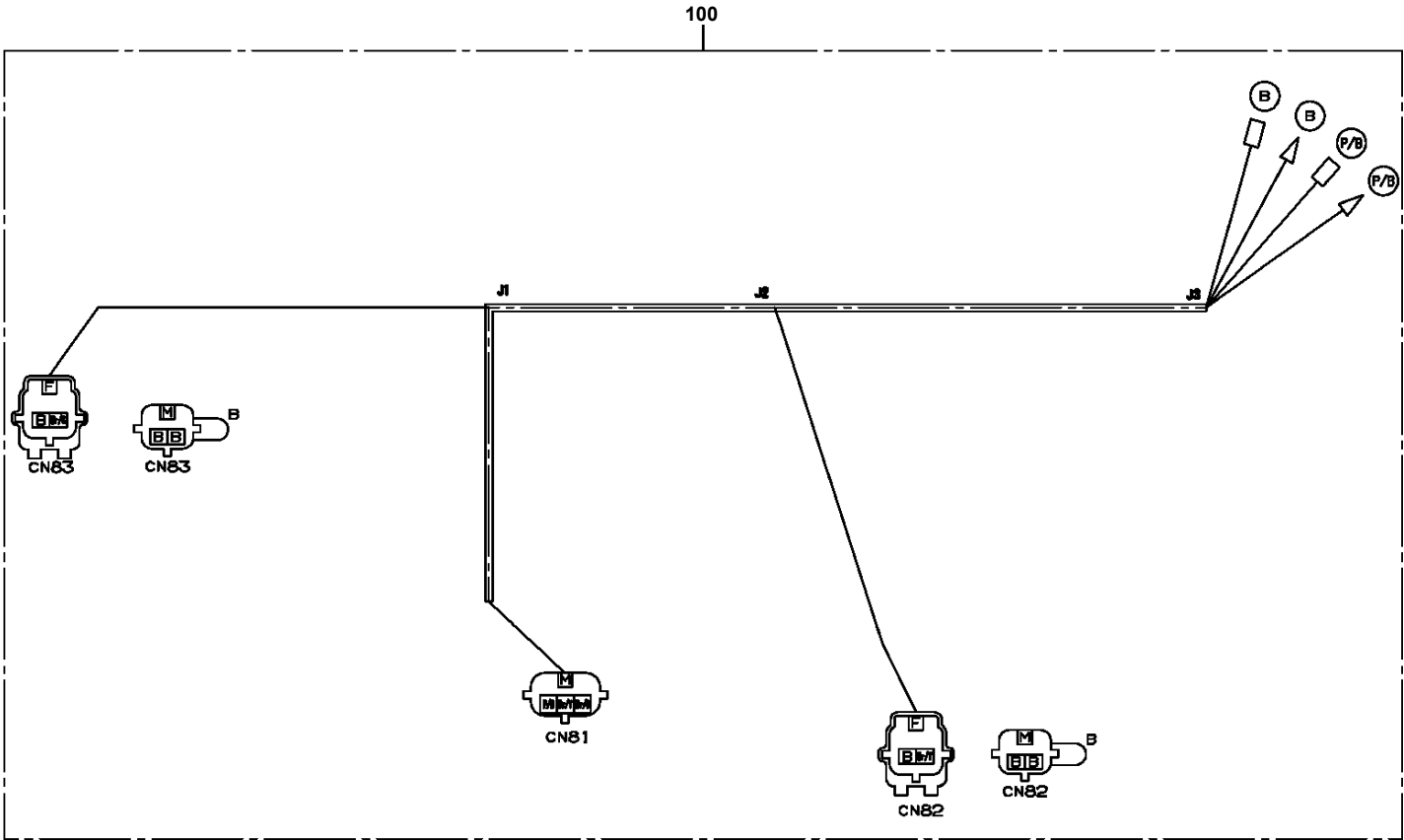
**TM-ZE500 41050501255A FRAME/PRIM ECO  
PH5031204-00 HARNESS**



TM-ZE500 41050501255A FRAME/PRIM ECO  
PH5032072-00 HARNESS (L=50)

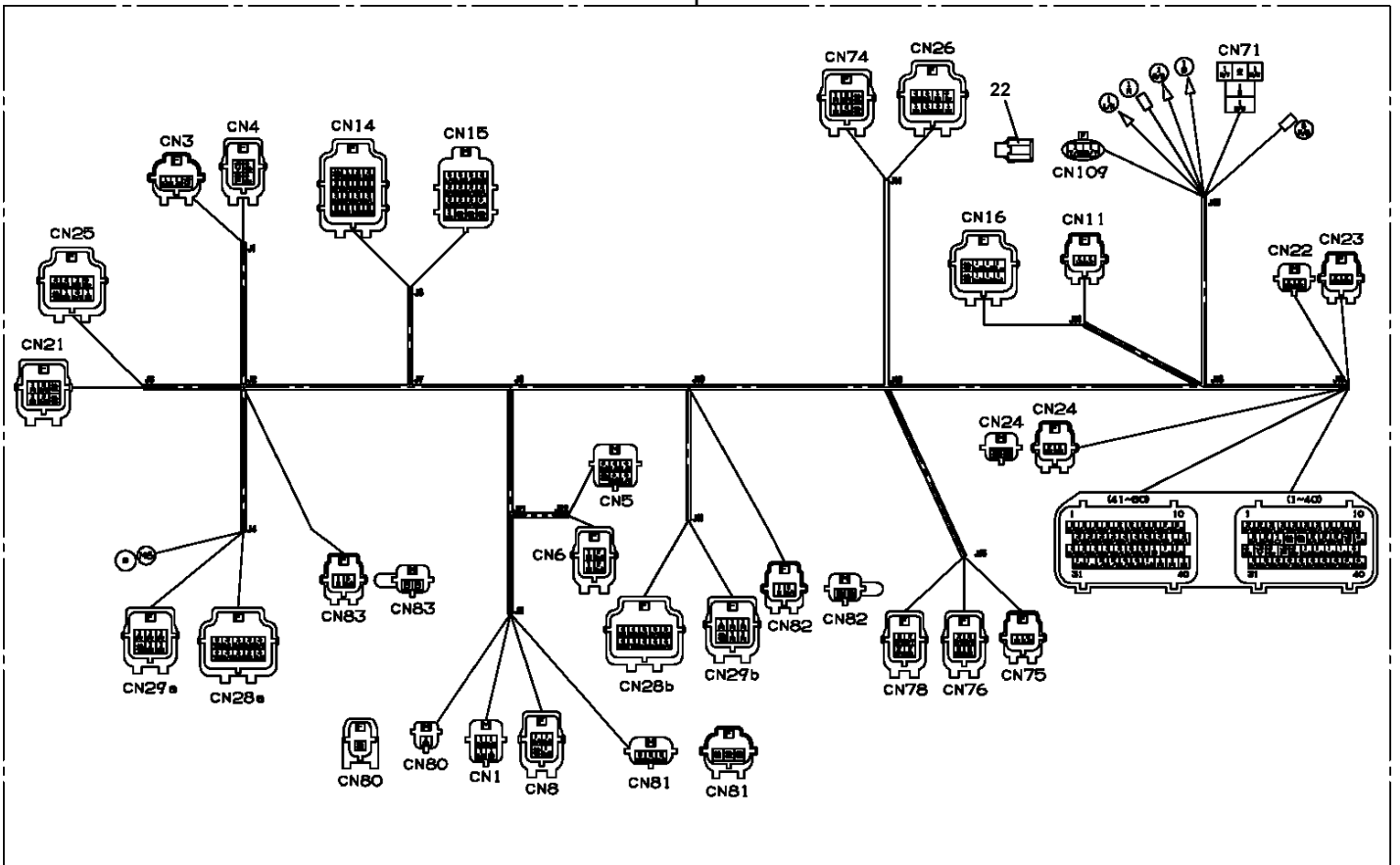


TM-ZE500 41050501255A FRAME/PRIM ECO  
PH5032415-00 HARNESS

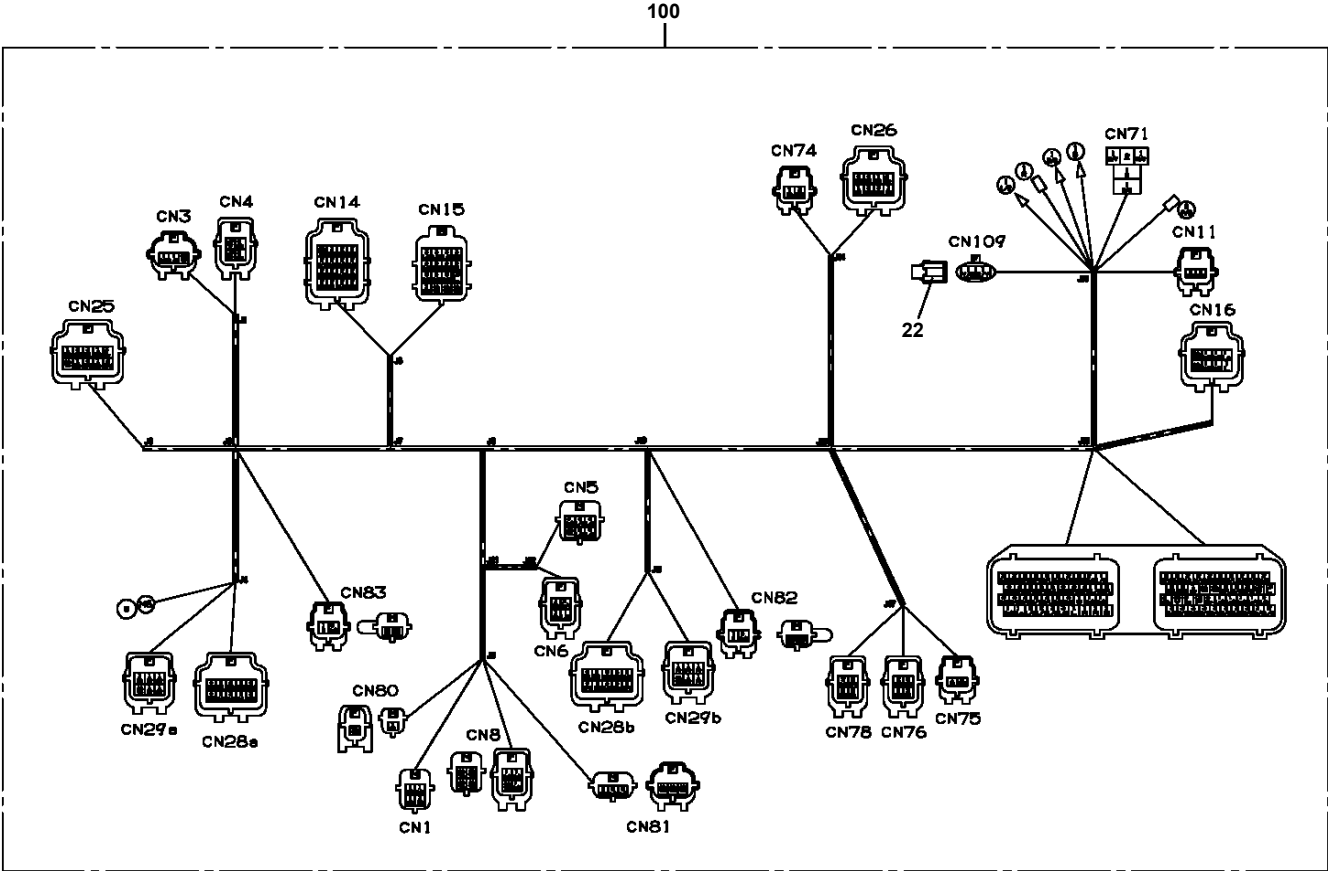


TM-ZE500 41050501255A FRAME/PRIM ECO  
PH5032680-00 HARNESS

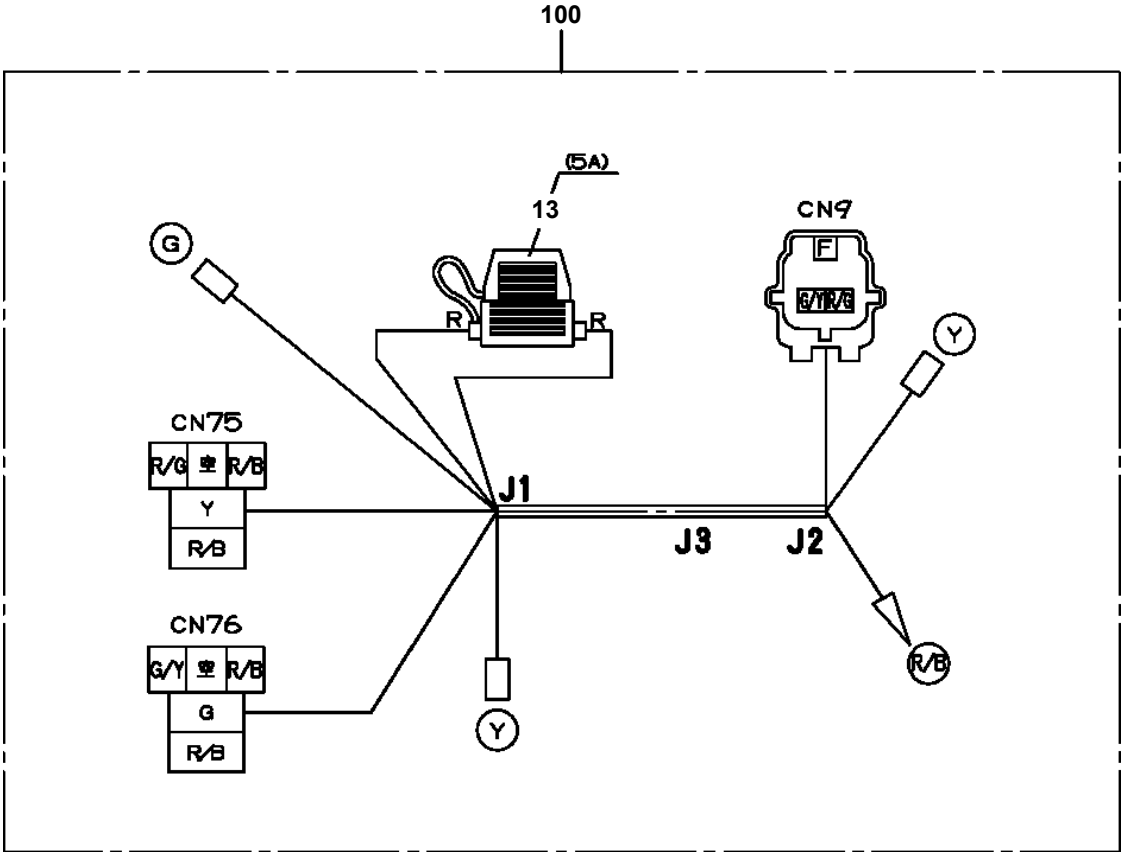
100



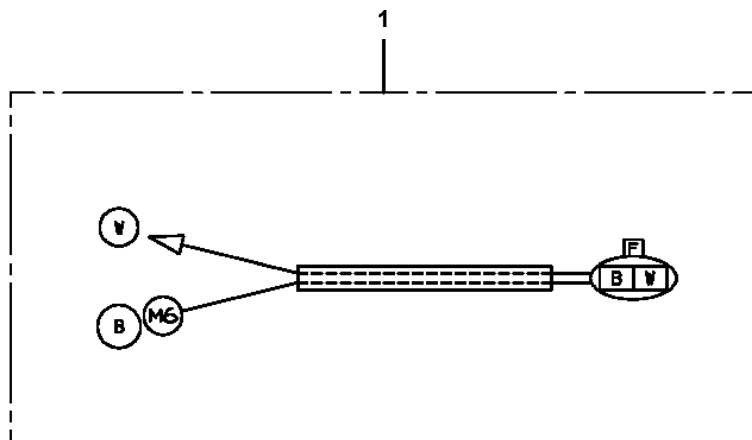
TM-ZE500 41050501255A FRAME/PRIM ECO  
PH5033061-00 HARNESS



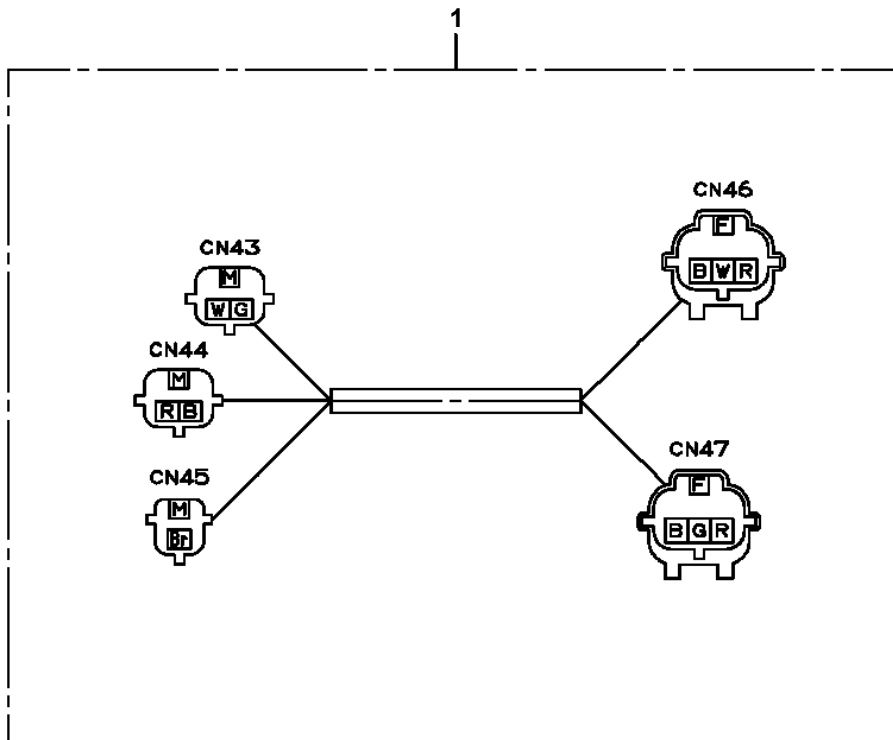
TM-ZE500 41050501255A FRAME/PRIM ECO  
PH5033269-00 HARNESS



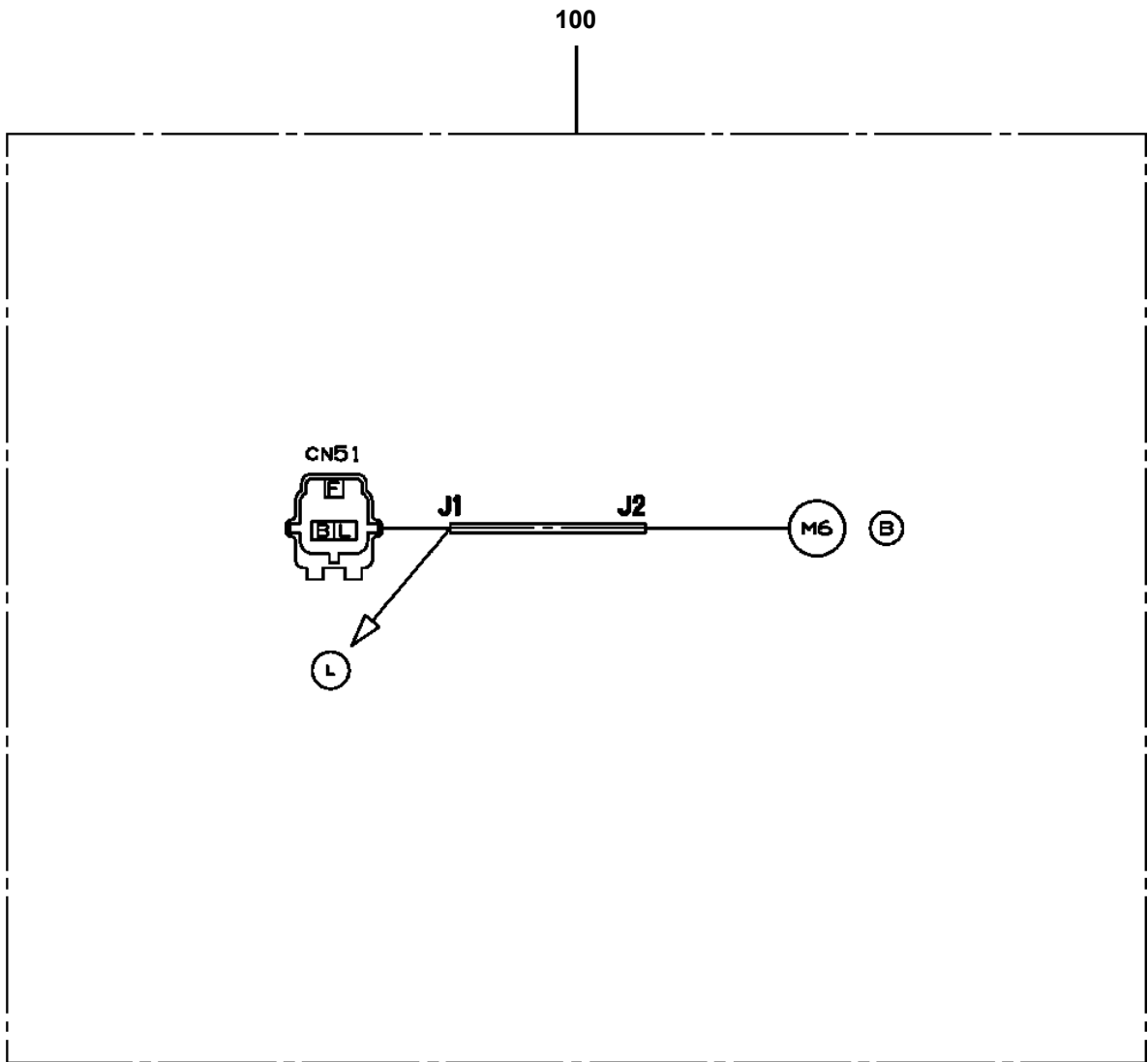
TM-ZE500 41050501255A FRAME/PRIM ECO  
PH5033592-00 HARNESS



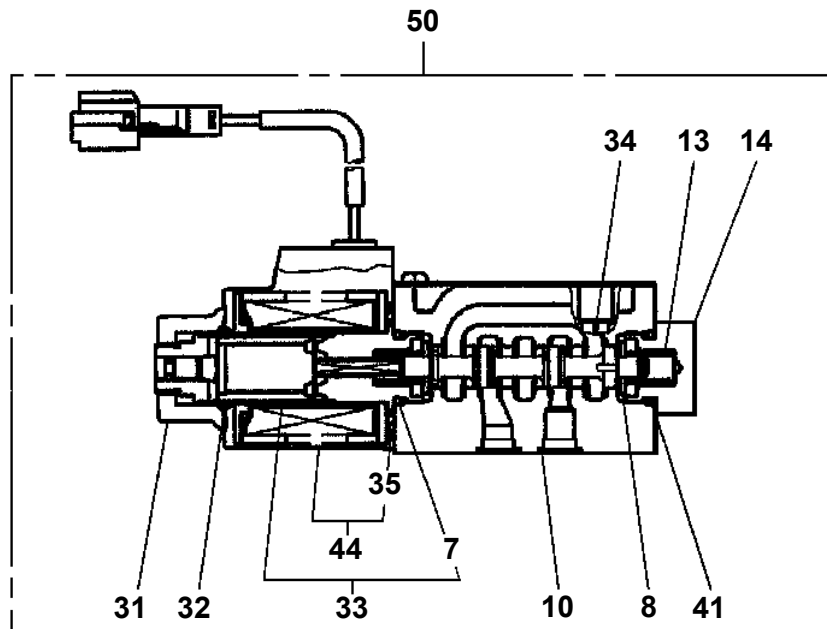
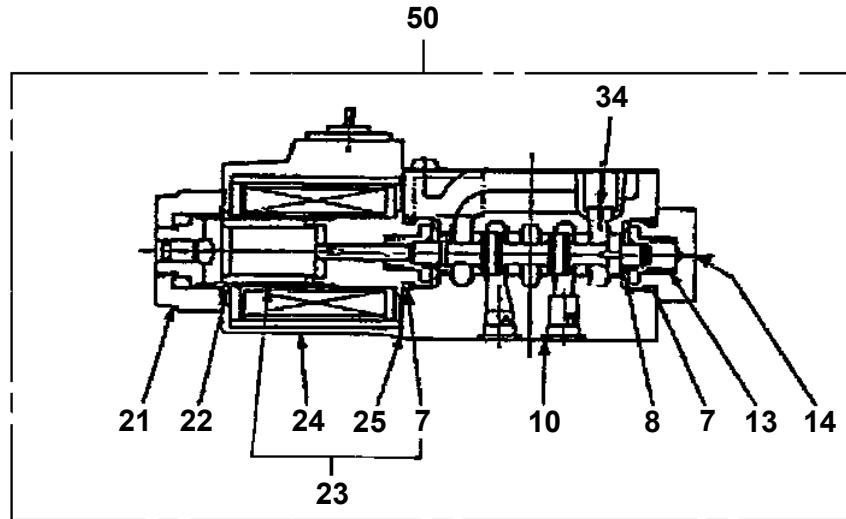
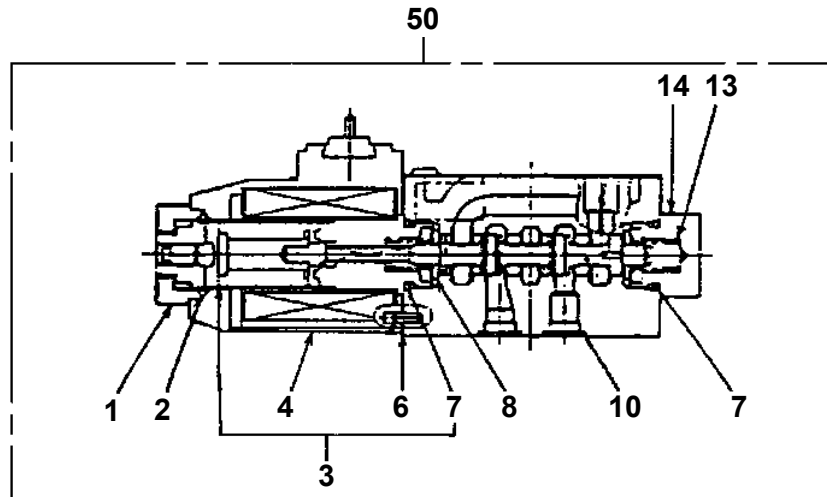
TM-ZE500 41050501255A FRAME/PRIM ECO  
PH5033906-00 HARNESS



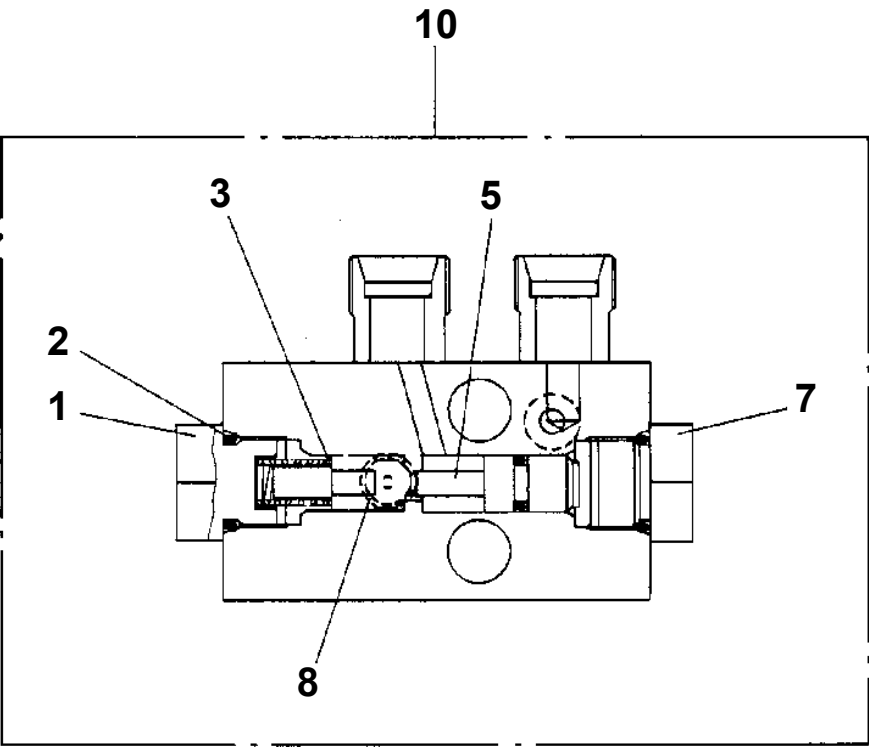
TM-ZE500 41050501255A FRAME/PRIM ECO  
PH5034303-00 HARNESS



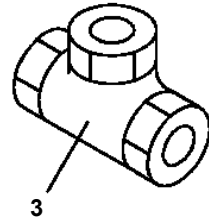
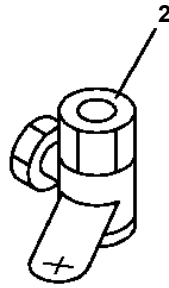
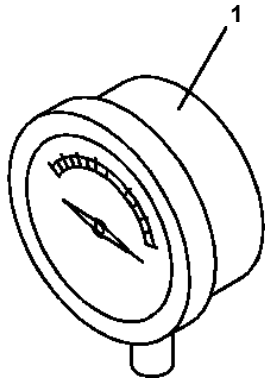
TM-ZE500 41050501255A FRAME/PRIM ECO  
PI1120142-02 VALVE,SOLENOID



TM-ZE500 41050501255A FRAME/PRIM ECO  
PI1280162-00 VALVE,PILOT CHECK



**TM-ZE500 41050501255A FRAME/PRIM ECO  
PI1440037-00 METER,LOAD (BOTH SIDE)**



CLICK HERE TO **DOWNLOAD** THE COMPLETE MANUAL

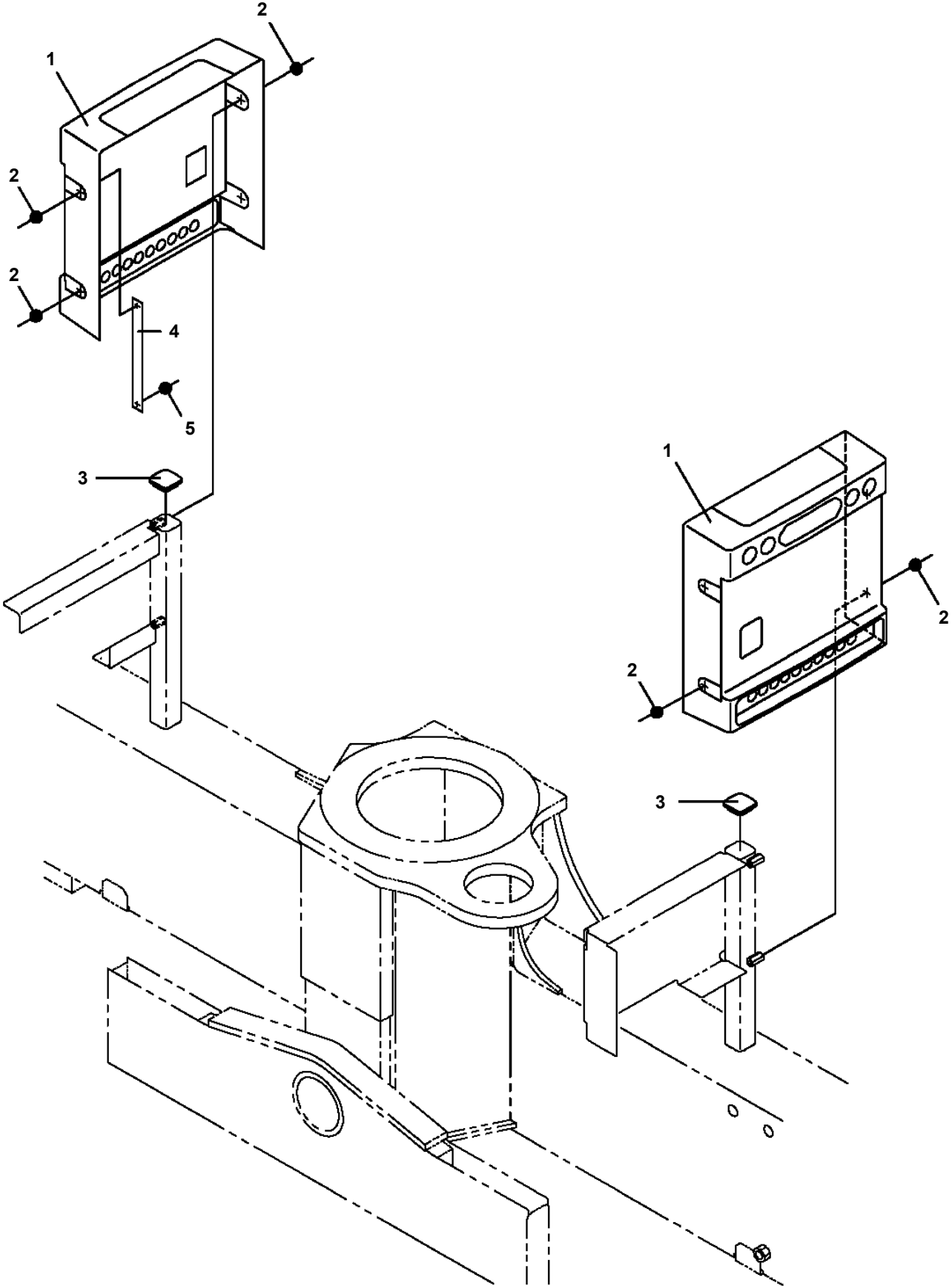
- Thank you very much for reading the preview of the manual.
- You can download the complete manual from: [www.heydownloads.com](http://www.heydownloads.com) by clicking the link below



- Please note: If there is no response to CLICKING the link, please download this PDF first and then click on it.

CLICK HERE TO **DOWNLOAD** THE COMPLETE MANUAL

**TM-ZE500 41050501255A FRAME/PRIM ECO  
PK1330382-02 COVER (SWITCH PANEL)**



注 意：本図は参考用に掲載しており、形状などは実機と異なります。

NOTE: THE ABOVE FIGURE IS FOR REFERENCE AND MAY DIFFER FROM THE ACTUAL APPEARANCE OF YOUR MACHINE.

TM-ZE500 41050501255A FRAME/PRIM ECO  
PL5020026-00 LAMP ASSY (45W BOOM TOP WORKING/H.HR.MH)

指示番号 KEY NO.	ランプ ASSY (45Wフーームセンタンサキ ヨウトウ/H.HR.MHヨウ) LAMP ASSY (45W BOOM TOP WORKING/H.HR.MH)
1	ハイセンASSY (ロー) ELEC.ASSY (LOWER)
2	ハイセンASSY (アツハ) ELEC.ASSY (UPPER)

TM-ZE500 41050501255A FRAME/PRIM ECO  
PL5020031-00 LAMP ASSY (60W POST WORKING/HREN)

指示番号 KEY NO.	ランプ ASSY (60Wホ* ストサキ* ヨウトウ/HRENヨウ) LAMP ASSY (60W POST WORKING/HREN)
1	ハイセンASSY (フレーム*) ELEC.ASSY (FRAME)
2	ハイセンASSY (ホ* スト*) ELEC.ASSY (POST)
3	ハイセンASSY (シ* ヨウ*) ELEC.ASSY (UPPER)

TM-ZE500 41050501255A FRAME/PRIM ECO  
PL5020106-00 LAMP ASSY (LED POST WORK LAMP/HREN)

ランプ ASSY (LEDホ\* ストサキ\* ヨウトウ/HREN)  
LAMP ASSY (LED POST WORK LAMP/HREN)

【組立名称一覧】より選択してください。  
SEE THE CORRESPONDING "ASSEMBLY NAME" LIST.

**TM-ZE500 41050501255A FRAME/PRIM ECO  
PL5020168-00 LAMP ASSY (HEIGHT LIMIT/BOOM,POST:JR-EAST)**

ランプ ASSY (タカサセイゲン/フレーム,ポスト:JRヒカシニホン)  
LAMP ASSY (HEIGHT LIMIT/BOOM,POST:JR-EAST)

---

指示番号 KEY NO.	部品名称 PART NAME	備考 REMARK
1	ハイセンASSY ELEC.ASSY	フレーム部
2	ハイセンASSY ELEC.ASSY	ランプ部
3	ネームプレートASSY NAME PLATE ASSY	

適用製造番号によっては取り付けがないものもあります。

MACHINES OF SOME SERIAL NO. ARE NOT EQUIPPED WITH THESE PARTS.

**TM-ZE500 41050501255A FRAME/PRIM ECO  
PL5270032-00 LOCK ASSY (JACK INTERLOCK/H,HR)**

**ロックASSY (ジャッキインターロック/H,HRヨウ)  
LOCK ASSY (JACK INTERLOCK/H,HR)**

---

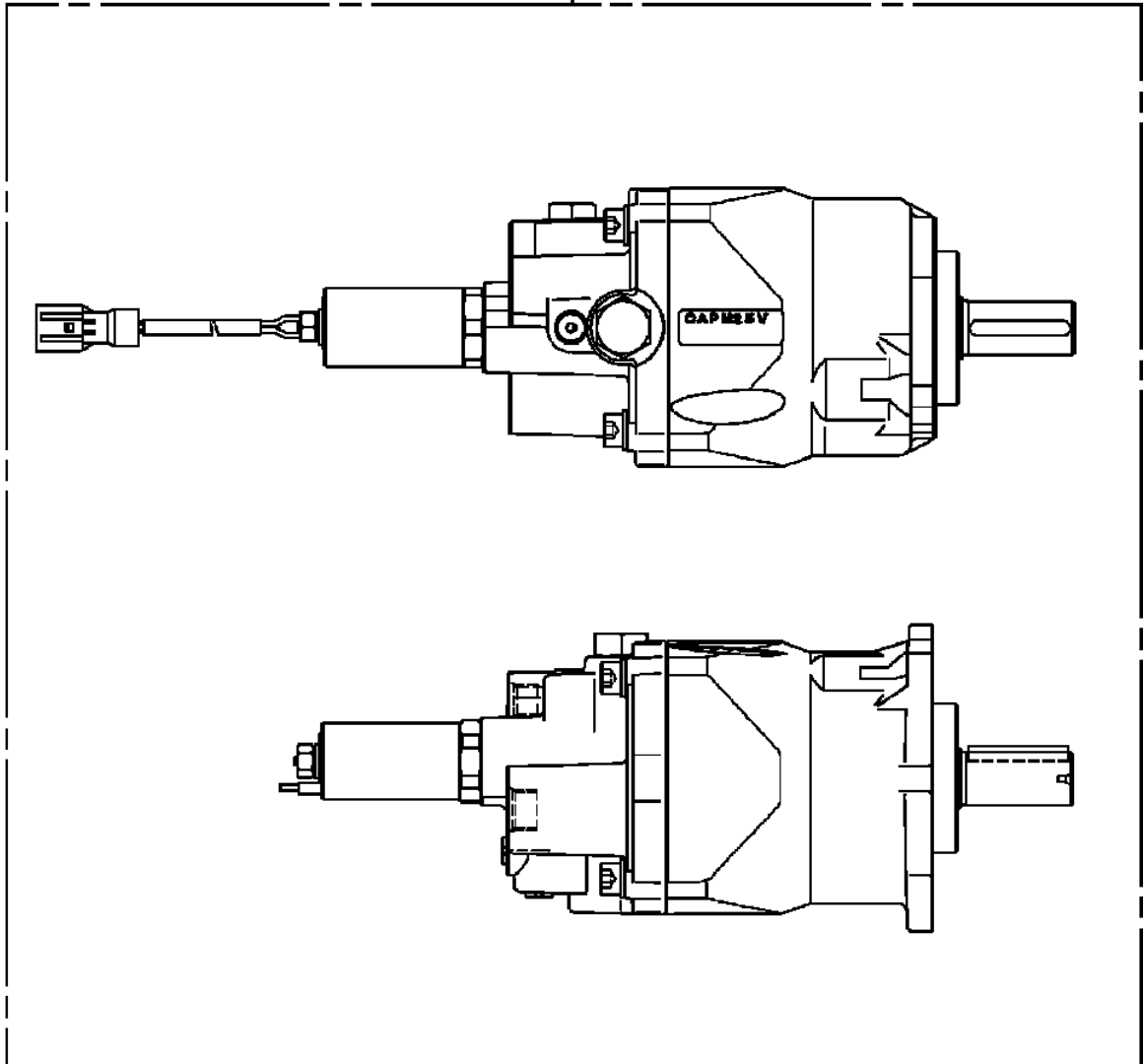
指示番号 KEY NO.	部品名称 PART NAME	備考 REMARK
1	ハイカンASSY,アウトリガ PIPING ASSY,OUTRIGGER	
2	ハイセンASSY ELEC.ASSY	
6	ネームプレートASSY NAME PLATE ASSY	「ジャッキインターロック装置付」
7	カバー COVER	配線保護

適用製造番号によっては取り付けがないものもあります。

MACHINES OF SOME SERIAL NO. ARE NOT EQUIPPED WITH THESE PARTS.

TM-ZE500 41050501255A FRAME/PRIM ECO  
PM5210003-00 MOTOR ASSY,OIL

100



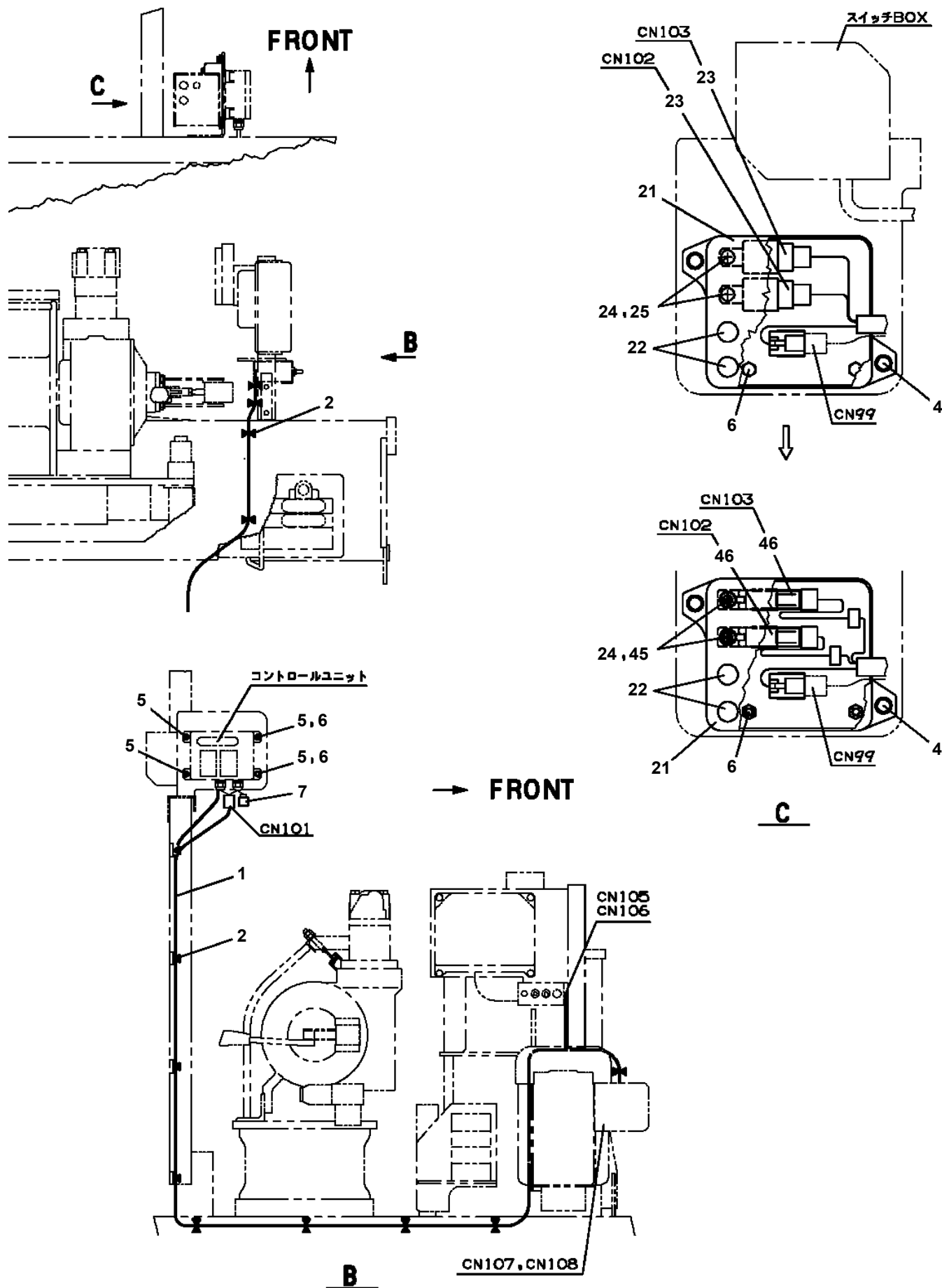
# TM-ZE500 41050501255A FRAME/PRIM ECO

Pos No.	Parts No	Parts Name	Qty	Unit	Technical Data	Serial No (Start)	Serial No (End)
3	90186208014	BOLT,FLANGE	8		M8X14		
4	31656140201	COVER	2				
6	90101208014	BOLT	4		M8X14		
7	90303070801	WASHER,PLAIN	4		8		
21	31656141100	SUPPORT	2				
22	31656141220	SWITCH ASSY(WITH HARNESS/PANASONIC)	2				
	31656141210	SWITCH ASSY(WITH HARNESS:PLATING/NACC)	2				
23	31656141310	SWITCH ASSY (PLATING:NACC)	4				
	31656141320	SWITCH ASSY (PANASONIC)	4				
24	82197518119	CAP (PLUS ONE MFG./BLACK)	8				
	82197518114	CAP (MATSUSHITA/BLACK)	8				
25	82199514013	CAP	2				
26	82199504017	NUT	2		AT-401N		
27	31656221100	PLATE,NAME	1				
37	31653303200	SWITCH ASSY (NIHON AUTOMATIC)	1				
	31653303300	SWITCH ASSY (MATSUSHITA)	1				
38	82197600101	CAP (BLACK)	1				
39	31656222100	PLATE,NAME	1				
52	82420100813	TRIM	2	M			

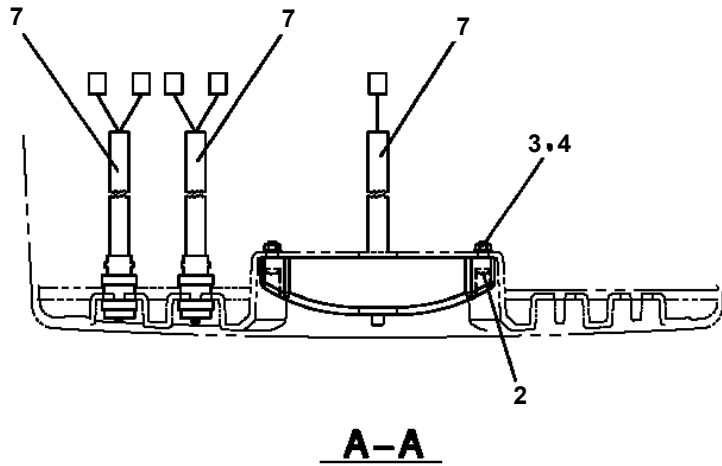
## TM-ZE500 41050501255A FRAME/PRIM ECO

Pos No.	Parts No	Parts Name	Qty	Unit	Technical Data	Serial No (Start)	Serial No (End)	Remark
1	31476362102	ALARM ASSY (ASSY ONLY)	1					
2	31475352100	PLATE,NAME	1					
3	31476362200	HARNESS (WHITE)	1		L=6000			
4	31380174000	LAMP ASSY (ASSY ONLY)	1					
5	82100000191	TERMINAL	3					
6	82100000183	INSULATOR	3					
7	91810130240	FASTENER	10					
8	82115001002	CONNECTOR	6					
9	82100001400	TERMINAL	3					
10	31476362700	PLATE,CAUTION	1					
11	31380292600	SUPPORT	1					
12	80172305020	SCREW,MACHINE	2		M5X20			
13	90302040501	WASHER,SPRING	2		5			
14	90303070501	WASHER,PLAIN	2		5			
15	31476362400	HARNESS (RED)	2		L=6000			
16	82100001220	INSULATOR	3					
17	31476362300	RELAY ASSY	1					
18	31475982400	DIODE ASSY	1					
21	90928040101	SCREW,TAPPING	3		M4X10			
22	82115001005	CONNECTOR	6					
31	31476362103	ALARM ASSY (ASSY ONLY)	1					

TM-ZE500 41050501255A FRAME/PRIM ECO  
 PN1014717-02 ELEC.ASSY (HARNESS FOR SR)



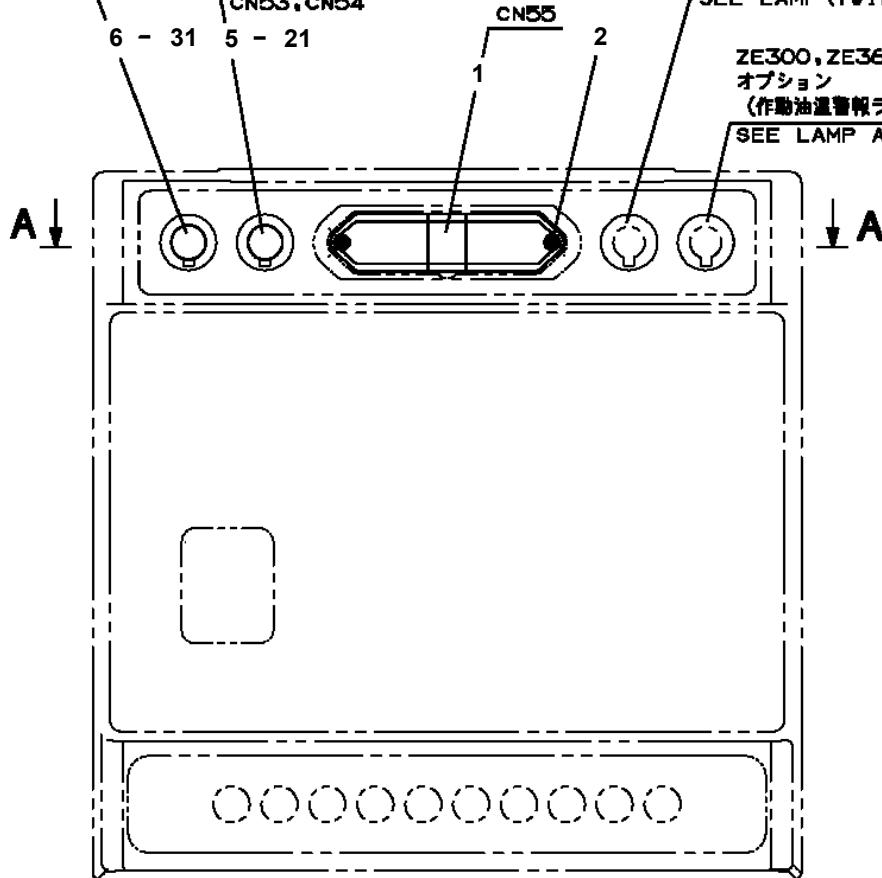
TM-ZE500 41050501255A FRAME/PRIM ECO  
 PN1080411-04 LAMP ASSY (PANEL LAMP)



(最大引出)  
 (MAXIMUM EXTENSION)  
 CN51, CN52

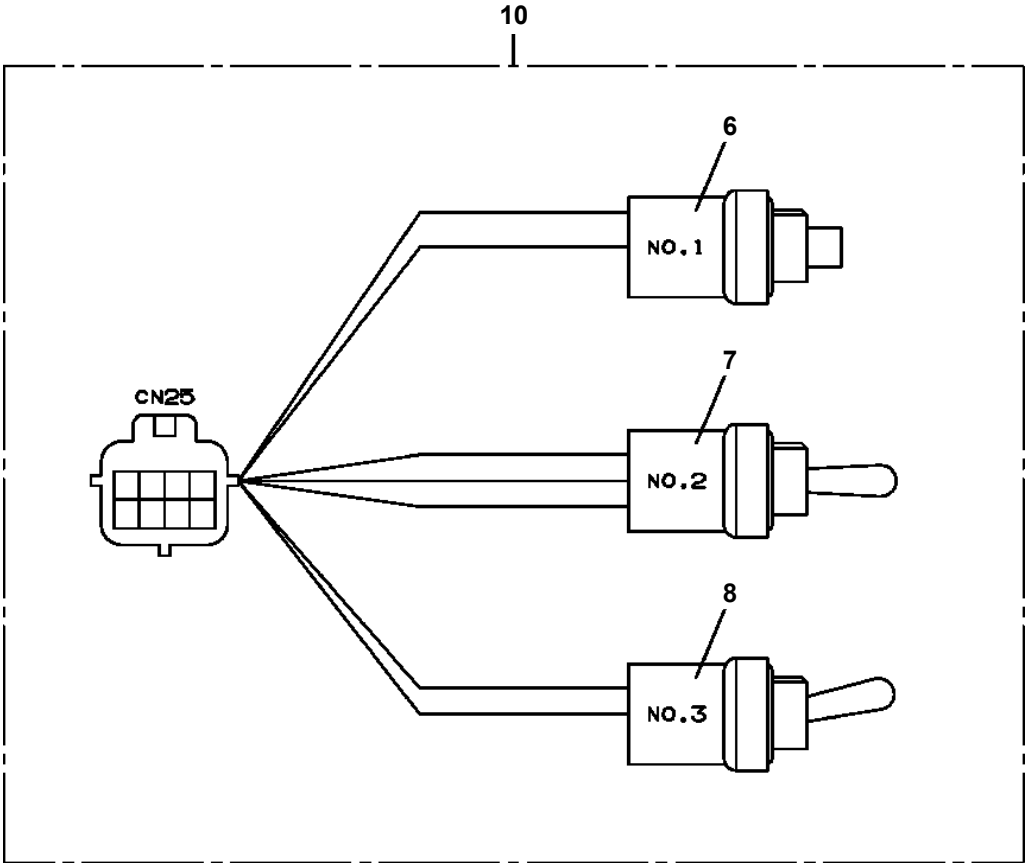
(最小引出)  
 (MINIMUM EXTENSION)  
 CN53, CN54

ZE260, ZE290  
 ZE300, ZE360  
 オプション  
 (2進ポンプ表示ランプ) (CN35, CN36)  
 SEE LAMP (TWIN PUMP INDICATOR)



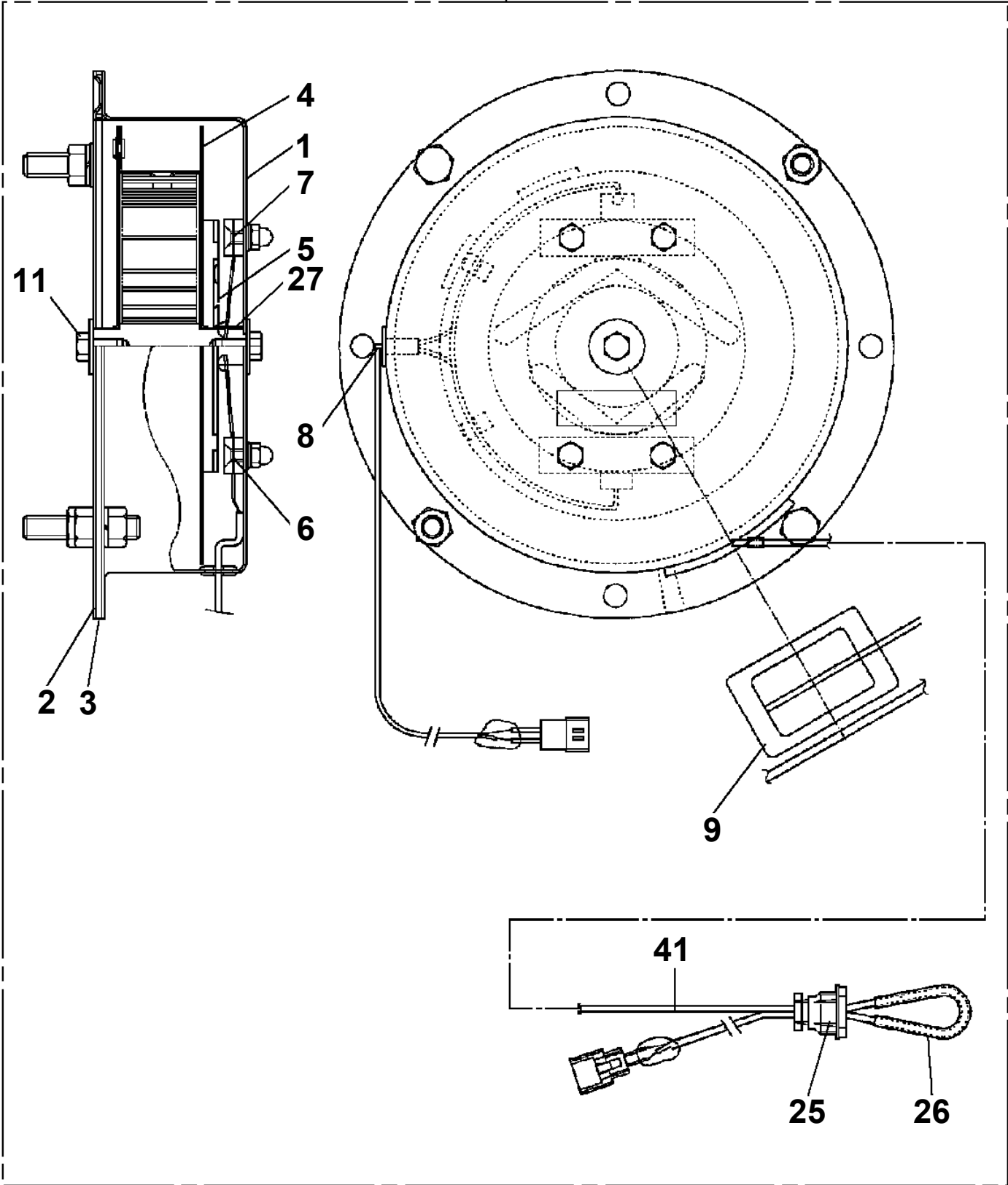
ZE300, ZE360  
 オプション  
 (作動油温警報ランプ)  
 SEE LAMP ASSY (ALARM/RED)

TM-ZE500 41050501255A FRAME/PRIM ECO  
PN1140202-00 SWITCH ASSY (PLATING:NACC)



TM-ZE500 41050501255A FRAME/PRIM ECO  
PN1350086-00 REEL, CORD

100



# TM-ZE500 41050501255A FRAME/PRIM ECO

Pos No.	Parts No	Parts Name	Qty	Unit	Technical Data	Serial No (Start)	Serial No (End)	Remarks	Pages
1	31496970320	PLATE,CAUTION	2						
2	31497310310	PLATE,CAUTION	1						
3	31399840310	PLATE,NAME	1						
4	31496970310	PLATE,NAME	1						

# TM-ZE500 41050501255A FRAME/PRIM ECO

Pos No.	Parts No	Parts Name	Qty	Unit	Technical Data	Serial No (Start)	Serial No (End)
1	(*****)	NAME PLATE ASSY (CAUTION,CONT.)	1				
	(*****)	NAME PLATE ASSY (CONT.:T_PS50)	1			PA0531	PA0530
3	(*****)	NAME PLATE ASSY (PANEL)	1				
4	(*****)	NAME PLATE ASSY (TANK OIL)	1				
5	(*****)	PLATE ASSY,NAME (HOOK)	1				
6	(*****)	NAME PLATE ASSY (O/R,CAUTION)	1			PA0531	

# TM-ZE500 41050501255A FRAME/PRIM ECO

Pos No.	Parts No	Parts Name	Qty	Unit	Technical Data	Serial No (Start)	Serial No (End)	Remarks
8	37002227930	PLATE,NAME	1					
9	37002227940	PLATE,NAME	1					
10	37002227980	PLATE,CAUTION	2					
11	37002206490	PLATE,NAME (GREASE)	5					
12	37002224400	PLATE,NAME	1					
13	37002224440	PLATE,NAME	1					
14	37002220450	PLATE,NAME	1					
15	37002200320	PLATE,NAME	1					
16	37002217510	PLATE,CAUTION (LOCK)	1					
17	37002217520	PLATE,CAUTION (LOCK)	1					

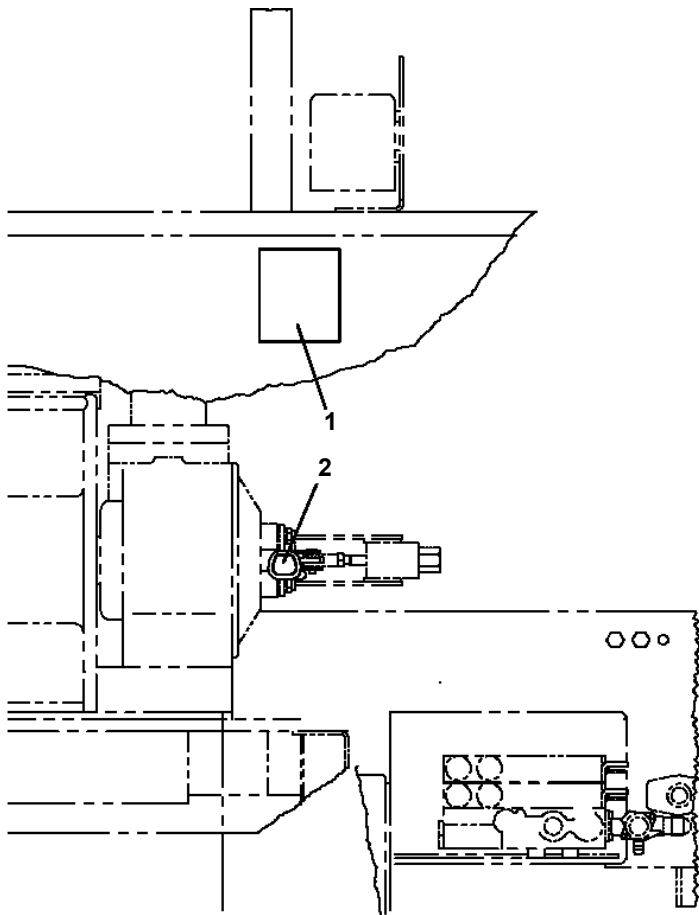
# TM-ZE500 41050501255A FRAME/PRIM ECO

Pos No.	Parts No	Parts Name	Qty	Unit	Technical Data	Serial No (Start)	Serial No (End)	Remarks	Pages
1	31473481100	PLATE,CAUTION	1						

# TM-ZE500 41050501255A FRAME/PRIM ECO

Pos No.	Parts No	Parts Name	Qty	Unit	Technical Data	Serial No (Start)	Serial No (End)	Re
1	37002213190	PLATE,NAME (LEVEL,ISO VG46)	1					

TM-ZE500 41050501255A FRAME/PRIM ECO  
 PO1015103-01 PLATE ASSY,NAME (SL WINCH)



**警告/セルフウィンチ取扱い**

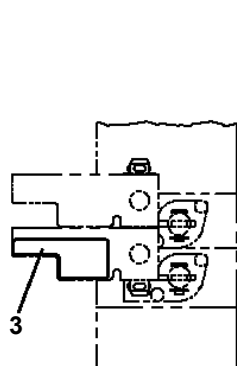
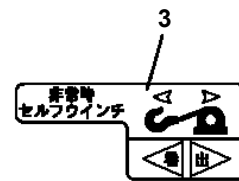
- 取扱説明書をよく読んでから作業してください。
- クラッチが十分に噛み合い、クラッチランプが点灯していることを確認してから、巻上げ、巻下げ作業を行ってください。
- 巻上げ、巻下げは荷の中心が荷台の中心線上を走るように作業してください。
- 走行時には、フックをフック掛けに吊出し、ワイヤロープを完全にドラムに巻き込んでください。

---

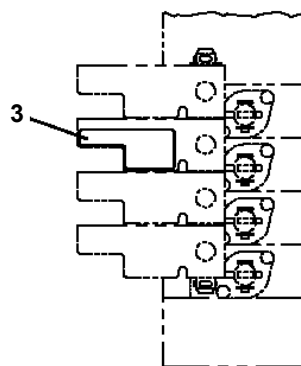
**警告/クラッチ操作**

- クラッチ操作は、ワイヤロープに張力がかかっている状態で行ってください。
- クラッチ荷の操作は、クラッチスイッチを押した状態でウィンチスイッチを巻下げ側に操作するとクラッチが解除されます。(クラッチランプ点灯)
- クラッチ荷の操作を行ってもクラッチが解除されない時はウィンチ巻上げ操作を行ってから再び、クラッチ荷の操作を行ってください。
- クラッチ入荷操作は、ウィンチ巻上げ操作に連動してクラッチが入ります。(クラッチランプ点灯)

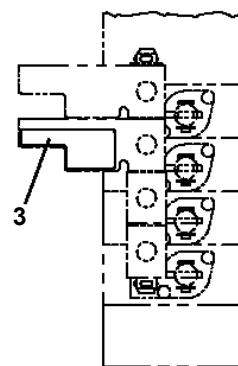
317-306-01100



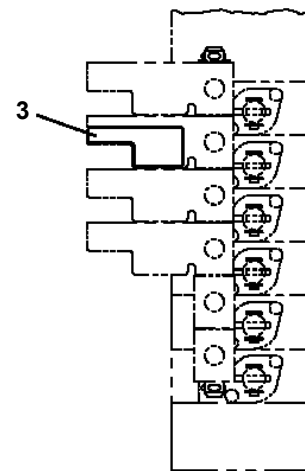
電磁2連バルブ



電磁4連バルブ



電磁4連バルブ

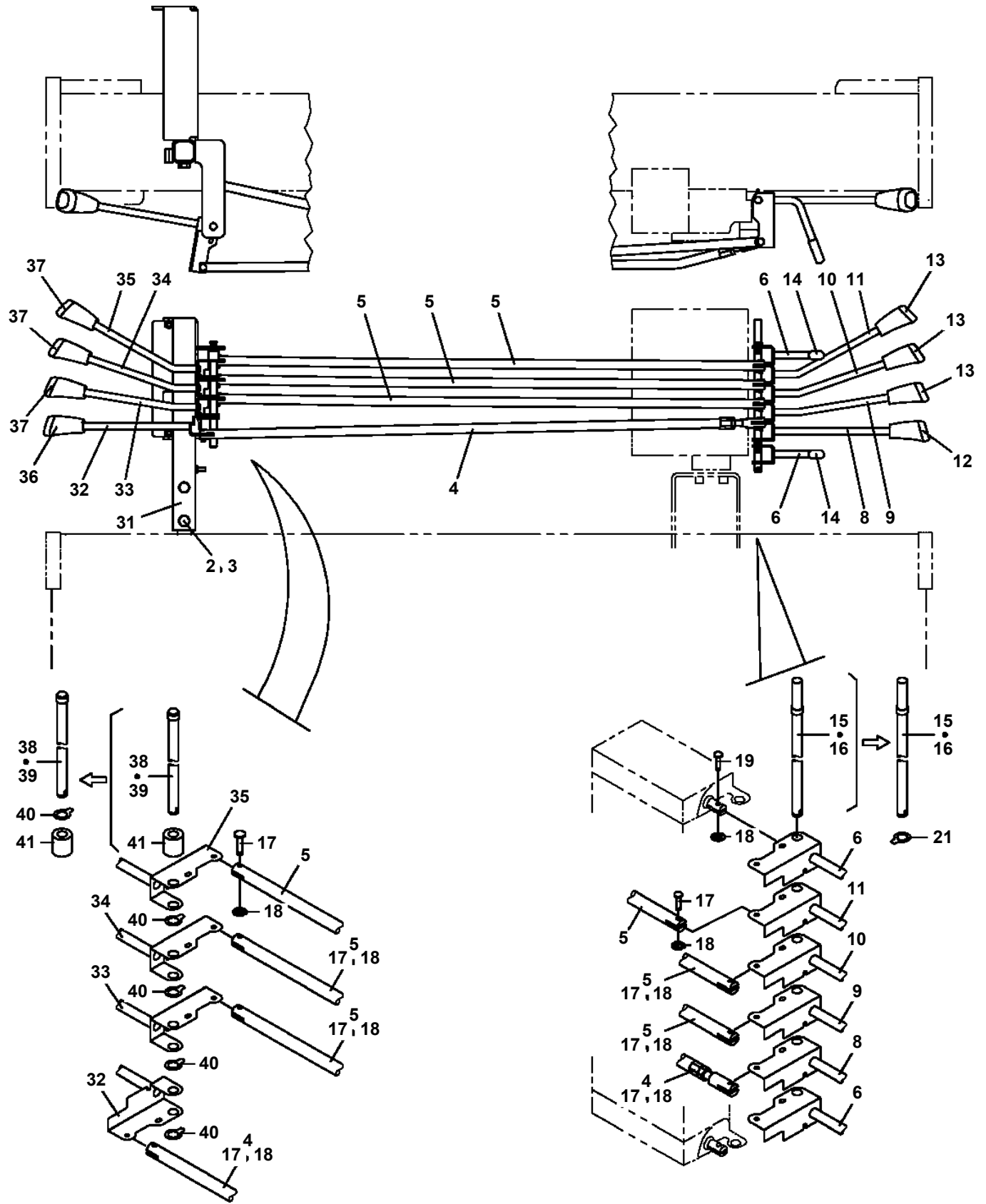


電磁6連バルブ

キャリアオーバーバルブ操作部  
(300SL)

キャリアオーバーバルブ操作部  
(360SL)

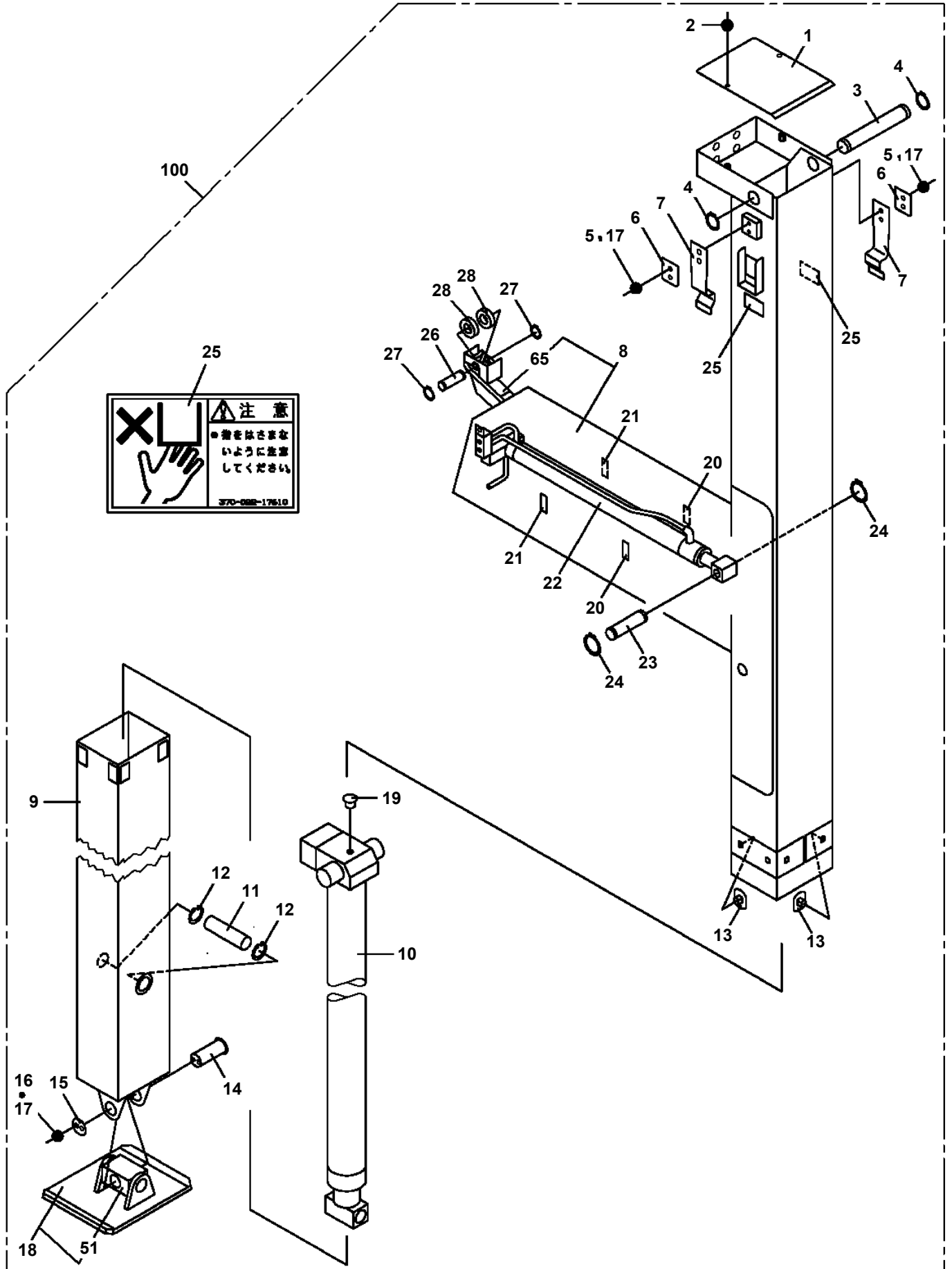
TM-ZE500 41050501255A FRAME/PRIM ECO  
PO5080025-02 OPE.ASSY,CONT.VALVE



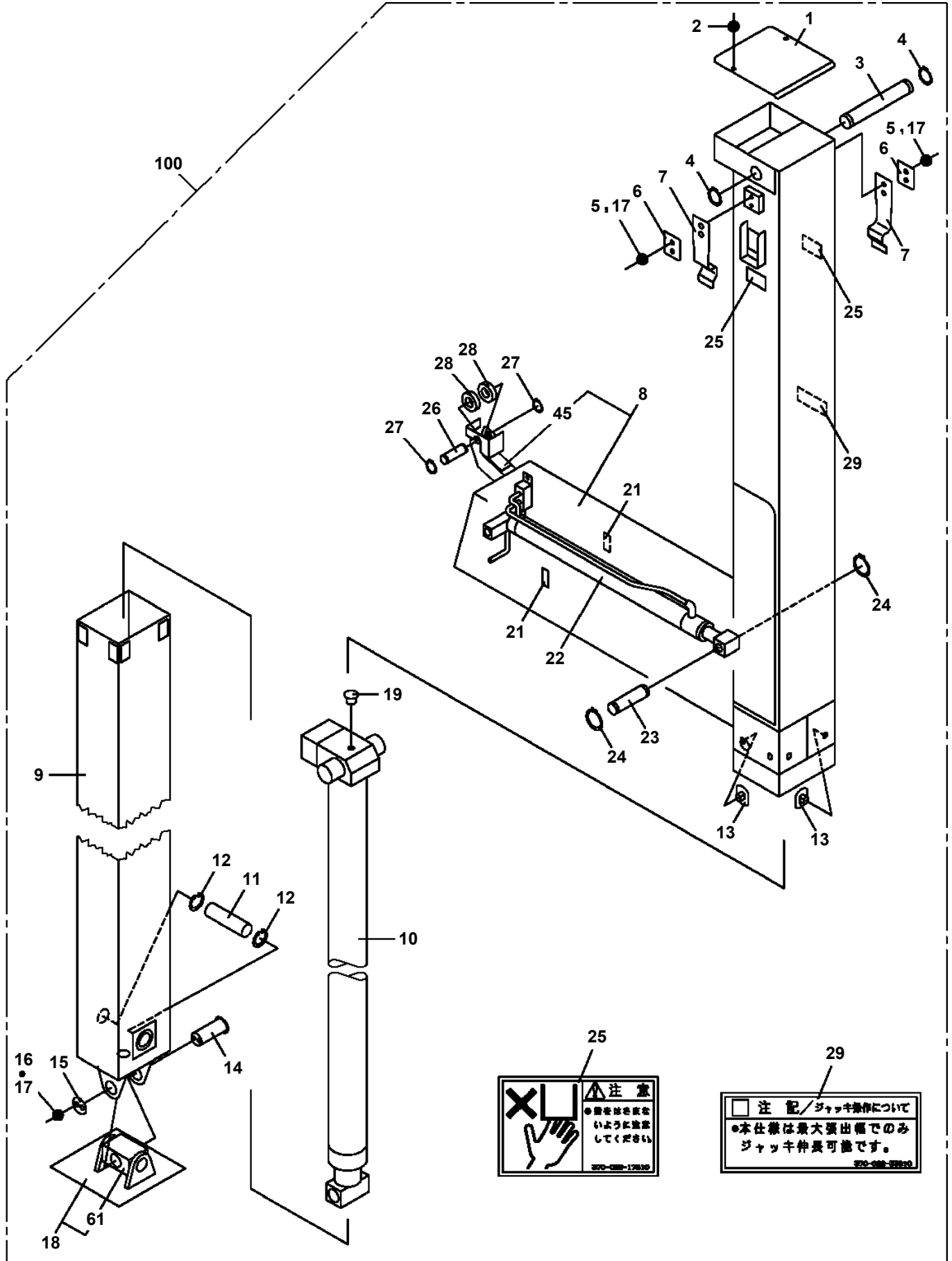
**TM-ZE500 41050501255A FRAME/PRIM ECO**  
**PO5270027-00 OUTRIGGER ASSY (L=590 ST=1400)**

指示番号 KEY NO.	アウトリカ ASSY (L=590 ST=1400) OUTRIGGER ASSY (L=590 ST=1400)
1	アウトリカ ASSY OUTRIGGER ASSY
2	ハイカンASSY, アウトリカ PIPING ASSY, OUTRIGGER

TM-ZE500 41050501255A FRAME/PRIM ECO  
 PO5270032-02 OUTRIGGER ASSY (LEFT)



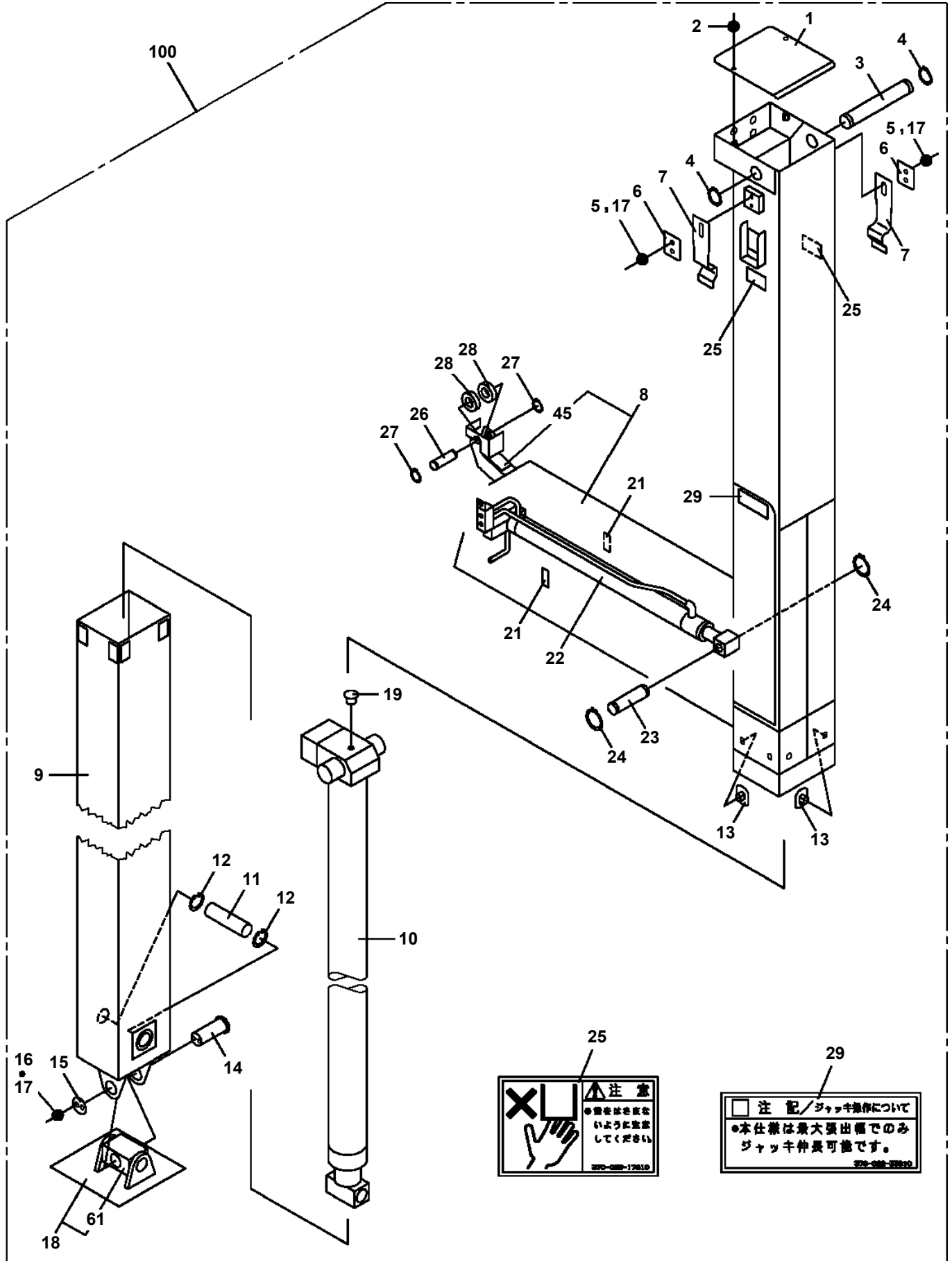
TM-ZE500 41050501255A FRAME/PRIM ECO  
 PO5270157-00 OUTRIGGER ASSY (RIGHT)



**注意**  
 ● 作業中は必ず  
 手をはなさない  
 ように注意  
 してください  
 270-288-17830

**注記** / ジャッキ操作について  
 ● 本仕様は最大突出幅でのみ  
 ジャッキ伸長可能です。  
 270-288-22910

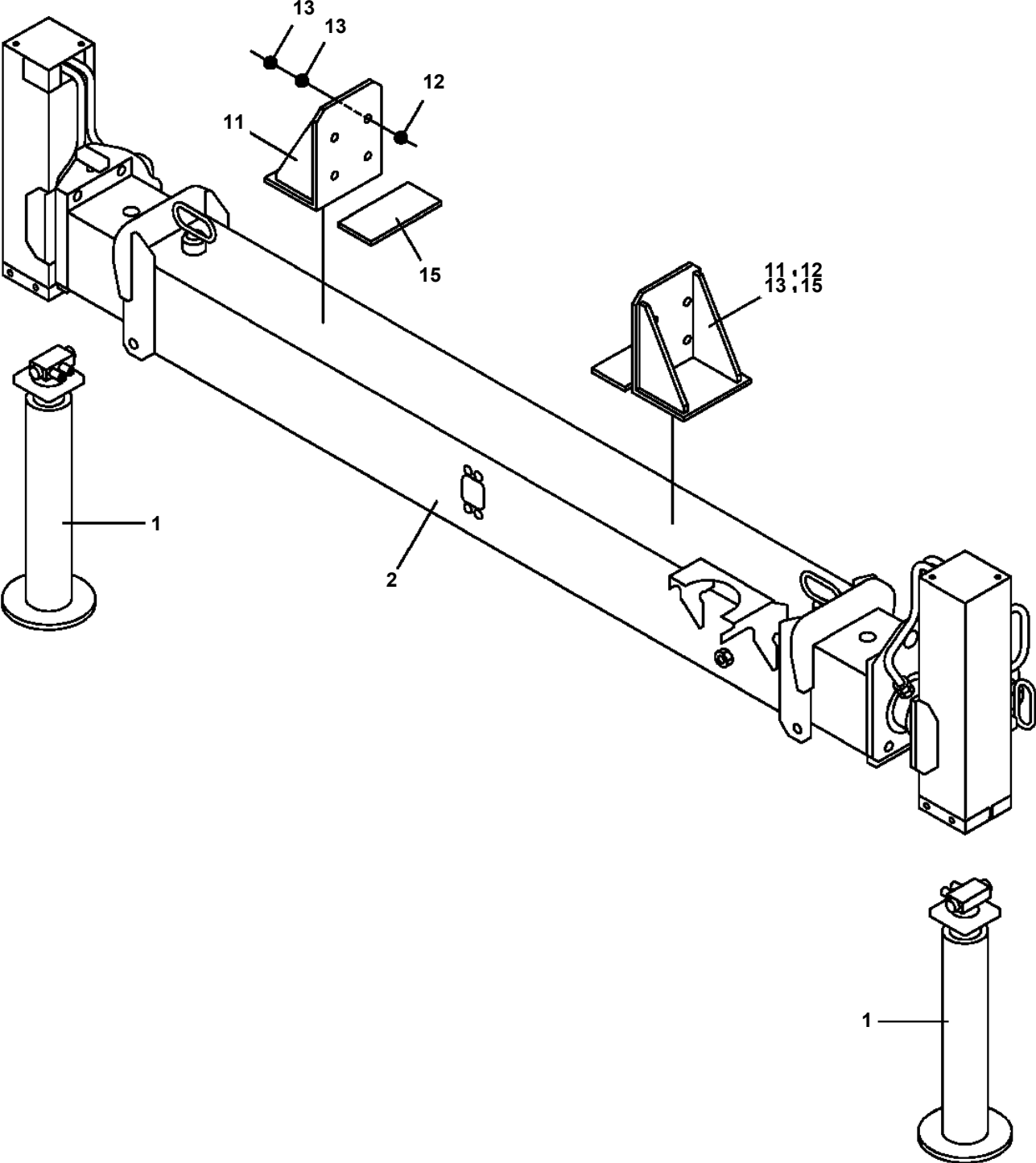
TM-ZE500 41050501255A FRAME/PRIM ECO  
 PO5270305-00 OUTRIGGER ASSY (LEFT)



**注意**  
 作業は必ず正しいように実施してください  
 270-088-17810

**注記/ジャッキ操作について**  
 ●本仕様は最大突出幅でのみジャッキ伸長可能です。  
 270-088-17810

TM-ZE500 41050501255A FRAME/PRIM ECO  
PO5290016-00 OUTRIGGER ASSY,REAR



**TM-ZE500 41050501255A FRAME/PRIM ECO  
PP5170007-00 PARTS ASSY,REMOTE CONTROL**

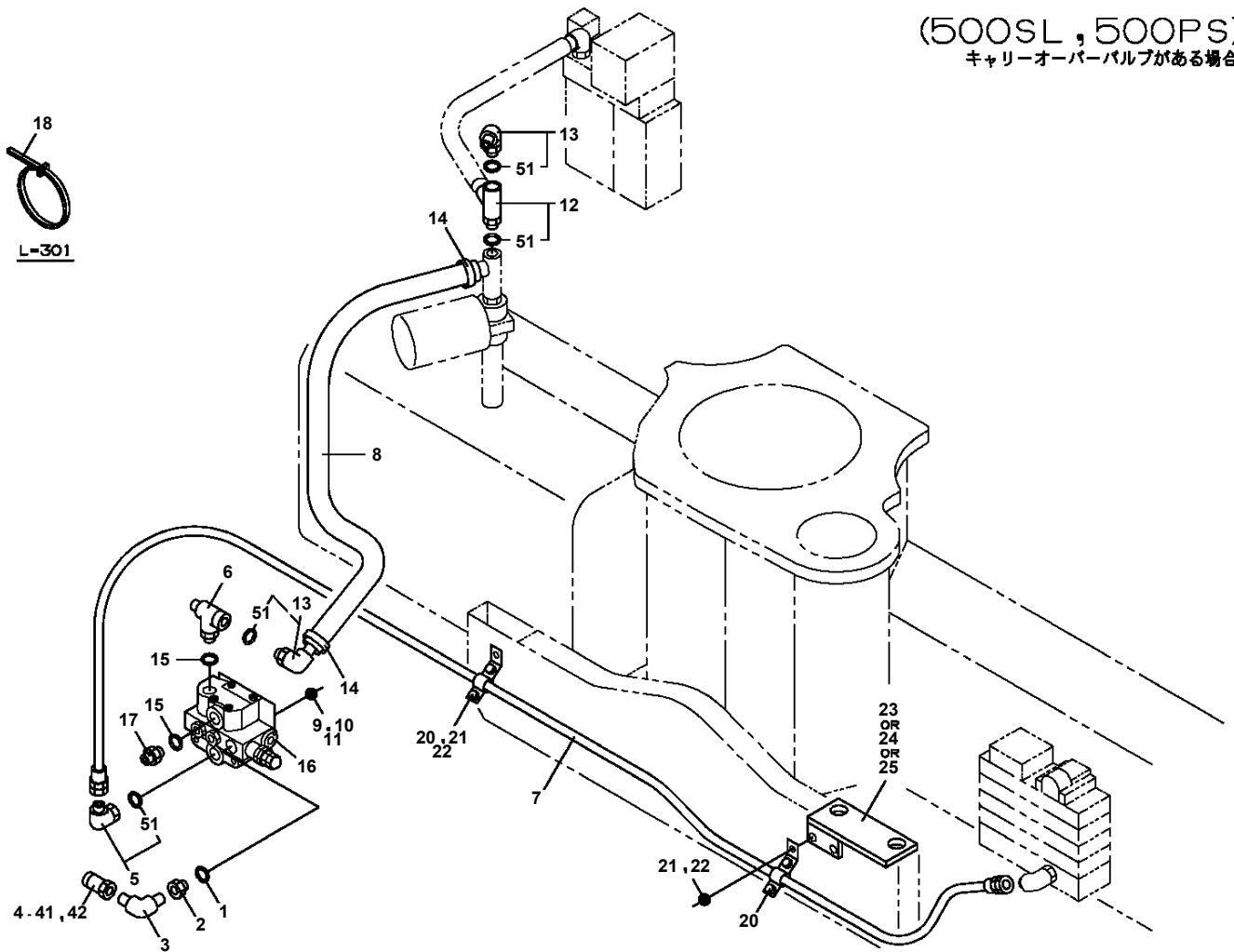
パ ー ツASSY,リモコン  
PARTS ASSY,REMOTE CONTROL

【組立名称一覧】より選択してください。  
SEE THE CORRESPONDING "ASSEMBLY NAME" LIST.

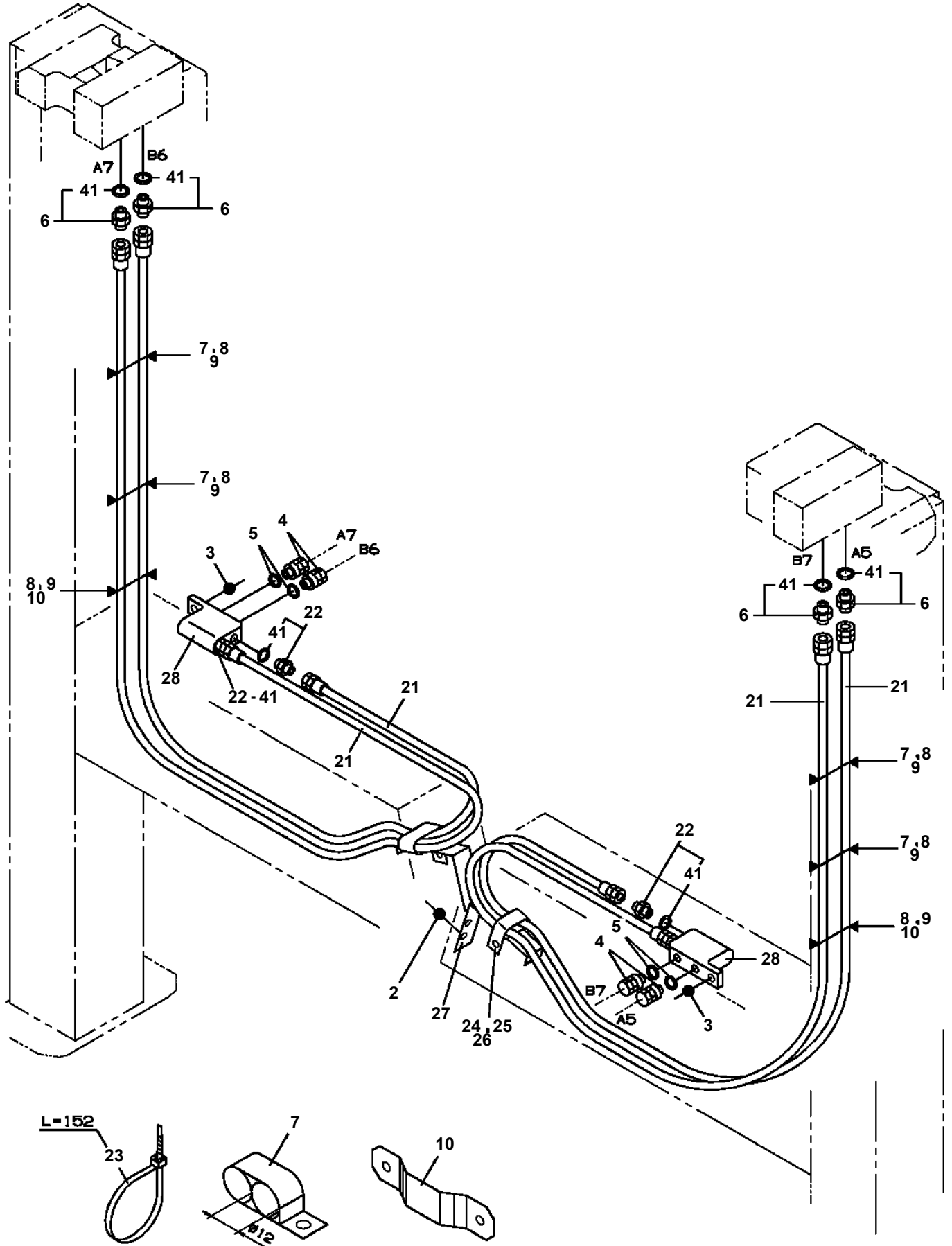


TM-ZE500 41050501255A FRAME/PRIM ECO  
PP6010049-00 PIPING ASSY

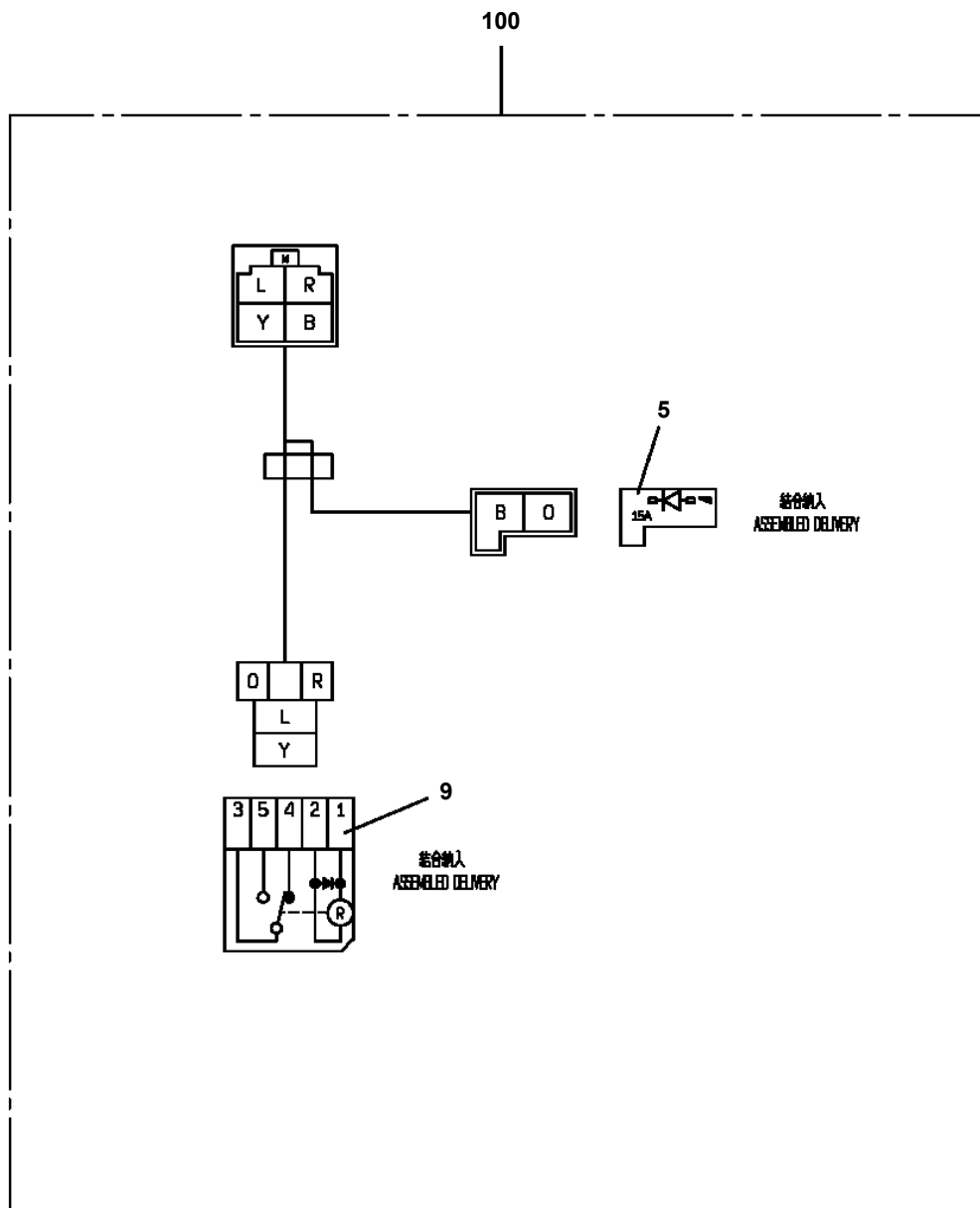
(500SL, 500PS)  
キャリアオーバーバルブがある場合



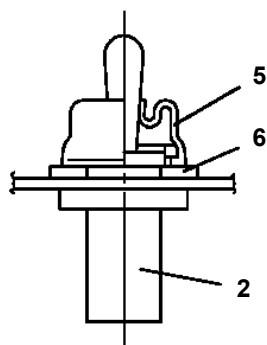
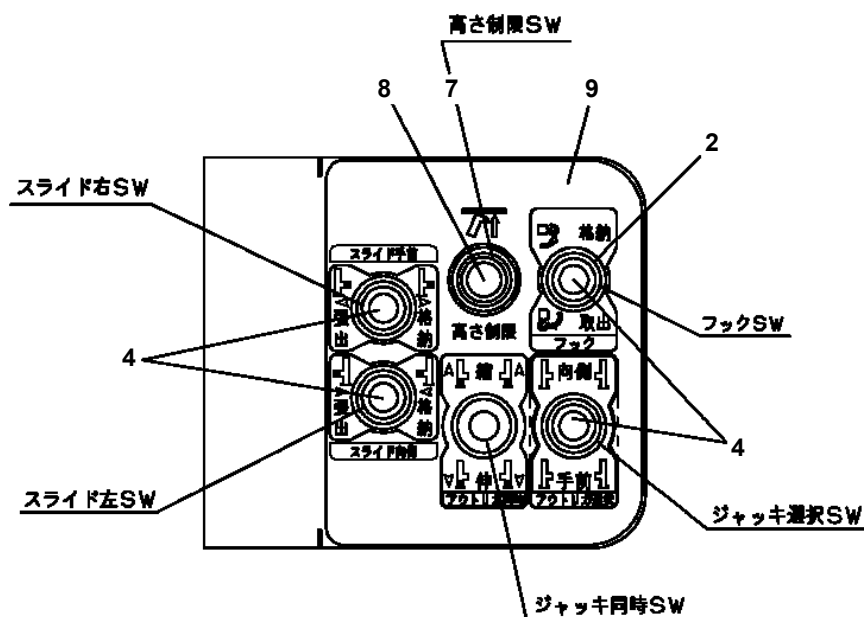
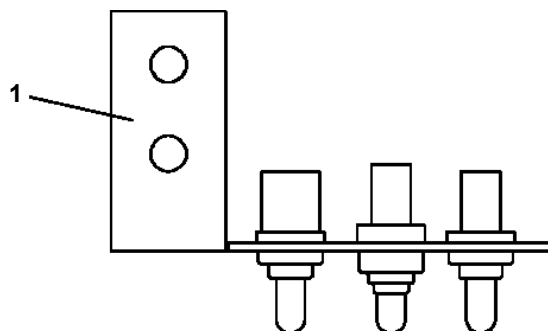
**TM-ZE500 41050501255A FRAME/PRIM ECO  
PP6220004-00 PIPING ASSY,OUTRIGGER**



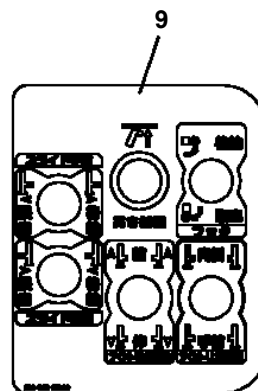
TM-ZE500 41050501255A FRAME/PRIM ECO  
PR5210001-00 RELAY (WITH HARNESS)



TM-ZE500 41050501255A FRAME/PRIM ECO  
 PS5530248-00 SWITCH ASSY



トグルSW  
 (ジャッキ同時)



**TM-ZE500 41050501255A FRAME/PRIM ECO  
PV1000075-02 REMOTE CONTROL SYSTEM**

リモート コントロール システム  
REMOTE CONTROL SYSTEM

〔組立名称一覧〕より選択してください。  
SEE THE CORRESPONDING "ASSEMBLY NAME" LIST.

**TM-ZE500 41050501255A FRAME/PRIM ECO**

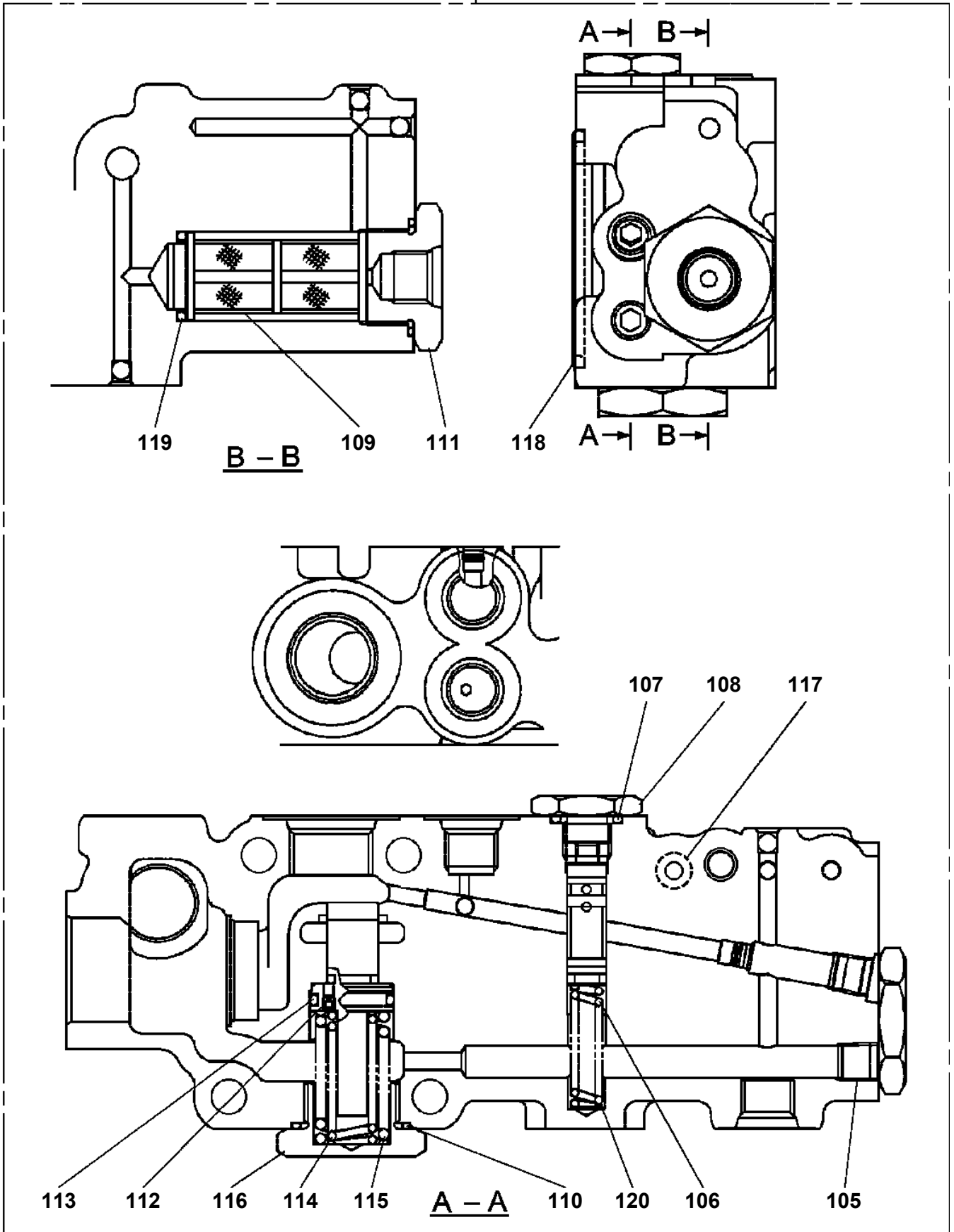
Pos No.	Parts No	Parts Name	Qty	Unit	Technical Data	Serial No (Start)	Serial No (End)	Remarks
108	91650001400	SCRAPER	2			EW9591		
109	36645495210	SEAT,SPRING (RETURN)	8				EW9590	
	36645495210	SEAT,SPRING (RETURN)	4					
	36645495210	SEAT,SPRING (RETURN)	4			EW9591		
110	36645845060	SPRING (RETURN)	2					
	36645845060	SPRING (RETURN)	4				EW9590	
	36645845060	SPRING (RETURN)	2			EW9591		
111	36646865210	SPACER	2					
	36646865210	SPACER	4				EW9590	
	36646865210	SPACER	2			EW9591		
112	36640625550	PLATE (D)	2					
	36640625550	PLATE (D)	4				EW9590	
	36640625550	PLATE (D)	2			EW9591		
113	36633365070	ADAPTER	2					
	36633365070	ADAPTER	4				EW9590	
	36633365070	ADAPTER	2			EW9591		
114	36645615230	C-BOLT	4		5X12			
	36645615230	C-BOLT	4		5X12		EW9590	
115	36633365100	SEAL,OIL	4				EW9590	
	36633365100	SEAL,OIL	2					
	36633365100	SEAL,OIL	2			EW9591		
116	36645845050	LINK	2					
	36645845050	LINK	2				EW9590	
117	36645615250	C-BOLT	8		M5X25		EW9590	
	36645615250	C-BOLT	4		M5X25			
	36645615250	C-BOLT	4		M5X25	EW9591		
118	36633365090	CAP (CHECK VALVE)	4					
	36633365090	CAP (CHECK VALVE)	2				EW9590	
	36633365090	CAP (CHECK VALVE)	2			EW9591		
119	12635101360	SPOOL	2					
	12635101360	SPOOL	4				EW9590	
	12635101360	SPOOL	2			EW9591		
120	12635101190	SPRING	4				EW9590	
	12635101190	SPRING	2					
	12635101190	SPRING	2			EW9591		
125	80172104010	SCREW,MACHINE	24		M4X10		EW9590	
	80172104010	SCREW,MACHINE	4		M4X10			
126	91001002200	O-RING	4		S22			
	91001002200	O-RING	8		S22		EW9590	
	91001002200	O-RING	4		S22	EW9591		
129	91001100600	O-RING	20		1A P6		EW9590	
	91001100600	O-RING	13		1A P6			
	91001100600	O-RING	10		1A P6	EW9591		
130	91002905500	O-RING	3		1B G55			
	91002905500	O-RING	4		1B G55		EW9590	
	91002905500	O-RING	2		1B G55	EW9591		
131	91001101400	O-RING	12		1A P14		EW9590	
	91001101400	O-RING	7		1A P14			
	91001101400	O-RING	6		1A P14	EW9591		
132	36647055180	VALVE,SOLENOID (KIT)	12				EW9590	
164	36645615260	C-BOLT	4		M5X8			
166	36633365060	PLATE (B)	2					
204	36740765050	PLUG	3					
205	36740765060	SPRING	1					
207	36640625210	CAP	1					
208	91001101800	O-RING	1		1A P18			
209	36649585170	FILTER	1					
210	91001002600	O-RING	2		S26			
211	36647395150	PLUG	1		M24			
212	36646875130	ORIFICE	1		M3			
213	91001101600	O-RING	1		1A P16			
214	36646265090	SPRING (B)	1					
215	36646265080	SPRING (A)	1					

# TM-ZE500 41050501255A FRAME/PRIM ECO

Pos No.	Parts No	Parts Name	Qty	Unit	Technical Data	Serial No (Start)	Serial No (E
1	36806241000	CONTROL UNIT	1				EW8369
	36806571000	CONTROL UNIT	1			EW8370	
2	(*****)	ELEC.ASSY (MOUNT CONTROL UNIT)	1				
3	(*****)	ELEC.ASSY (PULG FOR ANTENNA UNIT)	1				

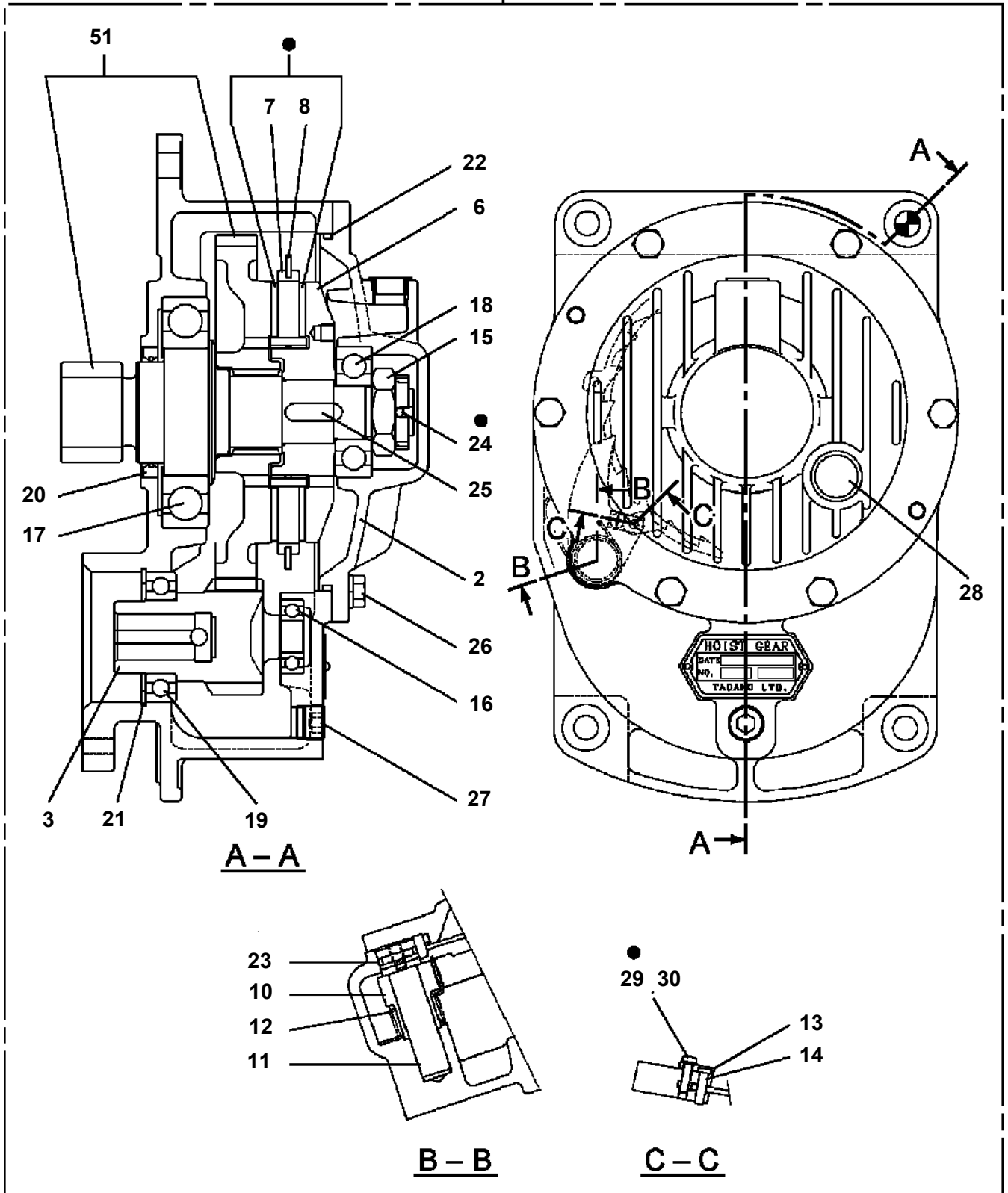
TM-ZE500 41050501255A FRAME/PRIM ECO  
PV5150007-02 VALVE ASSY,REMOTE CONTROL

4



TM-ZE500 41050501255A FRAME/PRIM ECO  
PW5060005-01 WINCH ASSY (Y.G.TEC)

100



- : FACING KIT KEY NO 101 ( JAPANESE )
- : FACING KIT KEY NO. 102 ( ENGLISH )

- Protective seal
- Replacement interval name plate

**TM-ZE500 41050501255A FRAME/PRIM ECO  
PW5060079-00 WINCH ASSY (SELF 3TONX1:S-RADIO CONTROL)**

ウインチASSY (セルフ 3トンX1:シンク\*ルラジ\*コン)  
WINCH ASSY (SELF 3TONX1:S-RADIO CONTROL)

指示番号 KEY NO.	部品名称 PART NAME	備考 REMARK
1	マウント,ウインチ MOUNT,WINCH	
2	オペ .ASSY,クラッチ OPE.ASSY,CLUTCH	
3	パイピング,ウインチ PIPING,WINCH	
4	ハイセンASSY ELEC.ASSY	
5	プレートASSY,ネーム PLATE ASSY,NAME	
7	フック HOOK	3t×1本掛け (φ12)
10	オペ .ASSY,ソウサバルブ OPE.ASSY,CONT.VALVE	
11	パーツASSY,ラジ*コン PARTS ASSY,RADIO CONTROLLER	
12	ハイセンASSY ELEC.ASSY	シンク*ルラジ*コン用ハーネス

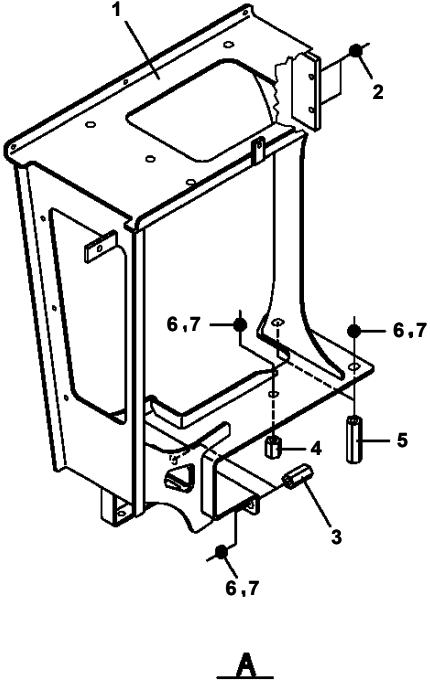
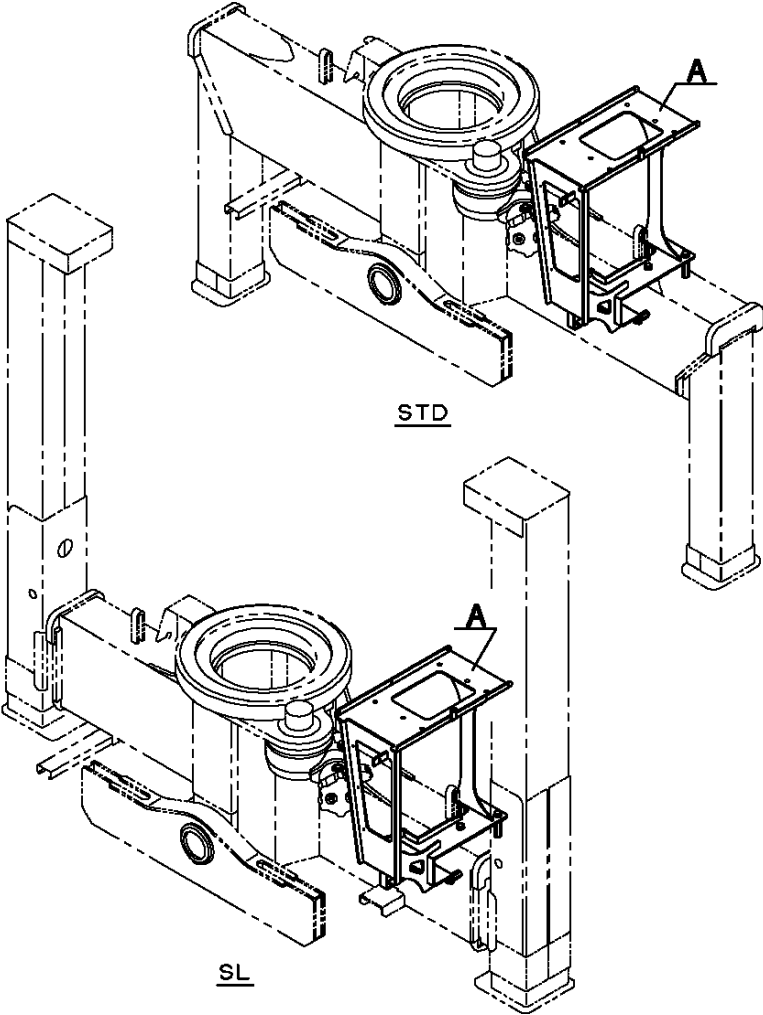
適用製造番号によっては取り付けがないものもあります。

MACHINES OF SOME SERIAL NO. ARE NOT EQUIPPED WITH THESE PARTS.

**TM-ZE500 41050501255A FRAME/PRIM ECO  
PX5010112-00 MOUNT ASSY (ACCELERATOR/ZE500STDP & ZE500SL)**

指示番号 KEY NO.	マウントASSY (アクセル/ZE500STDP & ZE500SL) MOUNT ASSY (ACCELERATOR/ZE500STDP & ZE500SL)
1	オペ .ASSY , アクセル OPE .ASSY , ACCELERATOR
2	ハイセンASSY ELEC .ASSY
3	ハイカンASSY PIPING ASSY

**TM-ZE500 41050501255A FRAME/PRIM ECO  
PX5010576-00 MOUNT ASSY**



**TM-ZE500 41050501255A FRAME/PRIM ECO  
 PY1560061-03 ALARM SYSTEM (BOOM STOWING FAILURE)**

指示番号 KEY NO.	アラーム システム (キフクカクノウワスレケイホウ) ALARM SYSTEM (BOOM STOWING FAILURE)
2	ハイセンASSY (キフク/フレームフ) ELEC.ASSY (BOOM ELEVATING/FRAME)
3	ハイセンASSY (シヤリヨウフ) ELEC.ASSY (CARRIER)
5	プレートASSY, ネーム (フーム, キフクカクノウワスレケイホウ) PLATE ASSY, NAME (BOOM, ELEV. STOWING FAILURE)
6	ハイセンASSY (フレームフ ハイセンフ キツイカ) ELEC.ASSY (FRAME BRANCH WIRING ADDED)

# TM-ZE500 41050501255A FRAME/PRIM ECO

Pos No.	Parts No	Parts Name	Qty	Unit	Technical Data	Serial No (Start)	Serial No (End)	Re
1	(*****)	ELEC.ASSY (RADIO CONTROL SW)	1					
2	(*****)	ELEC.ASSY (SUB HARNESS)	1					

TM-ZE500 41050501255A FRAME/PRIM ECO  
 PY5170037-03 ALARM ASSY (ELEVATION STOWING REMINDER)

指示番号 KEY NO.	ZE250, ZE260, ZE290, ZE300, ZE360: アラームASSY (キフクカクノウワスレケイホウ/M, MH) ALARM ASSY (ELEVATION STOWING REMINDER/M, MH)  ZE500: アラームASSY (キフクカクノウワスレケイホウ/MH) ALARM ASSY (ELEVATION STOWING REMINDER/MH)
2	ハイセンASSY (フレームフ*, ホ* ストフ*) ELEC. ASSY (FRAME, POST)
3	ハイセンASSY (カソウシヤリヨウフ* /アラーム) ELEC. ASSY (CARRIER/ALARM)
5	フ* レートASSY, ネーム PLATE ASSY, NAME
6	ハイセンASSY (キユウハーネスヘンカンヨウ) ELEC. ASSY (HARNESS)

適用製造番号によっては取り付けがないものもあります。

MACHINES OF SOME SERIAL NO. ARE NOT EQUIPPED WITH THESE PARTS.

**TM-ZE500 41050501255A FRAME/PRIM ECO  
 PY5170049-00 ALARM SYSTEM (BOOM,O/R STOWING FAILURE)**

指示番号 KEY NO.	アラーム システム (キフク,アウトリガ <sup>ク</sup> カクノウスレケイホウ) ALARM SYSTEM (BOOM,OUTRIGGER STOWING FAILURE)
1	アラームASSY (アウトリガ <sup>ク</sup> フ <sup>ク</sup> ,キンセツスイッチ) ALARM ASSY (OUTRIGGER,PROXIMITY SWITCH)
2	ハイセンASSY (キフク/フレームフ <sup>ク</sup> ) ELEC.ASSY (BOOM ELEVATING/FRAME)
4	ハイセンASSY (カソウシャリヨウフ <sup>ク</sup> ) ELEC.ASSY (CARRIER)
6	プレートASSY,ネーム (フ <sup>ク</sup> -ム,O/Rカクノウスレケイホウ) PLATE ASSY,NAME
7	ハイセンASSY (フレームフ <sup>ク</sup> ハイセンフ <sup>ク</sup> ンキツイカ) ELEC.ASSY (FRAME BRANCH WIRING ADDED)

**TM-ZE500 41050501255A FRAME/PRIM ECO  
PY5170068-00 ALARM ASSY (ELEVATION STOWING REMINDER)**

アラームASSY (キフクカクノウワスレケイホウ)  
ALARM ASSY (ELEVATION STOWING REMINDER)

---

指示番号 KEY NO.	部品名称 PART NAME	備考 REMARK
3	ハイセンASSY ELEC.ASSY	架装車両部
5	プレートASSY,ネーム PLATE ASSY,NAME	フレーム格納忘れ警報装置付

適用製造番号によっては取り付けがないものもあります。

MACHINES OF SOME SERIAL NO. ARE NOT EQUIPPED WITH THESE PARTS.

CLICK HERE TO **DOWNLOAD** THE COMPLETE MANUAL

- Thank you very much for reading the preview of the manual.
- You can download the complete manual from: [www.heydownloads.com](http://www.heydownloads.com) by clicking the link below



- Please note: If there is no response to CLICKING the link, please download this PDF first and then click on it.

CLICK HERE TO **DOWNLOAD** THE COMPLETE MANUAL