

**TM-ZE500 41050504044A FRAME/HOOK-IN,MANUAL VALVE (G)**

**PB0000228-02 SYSTEM (ZE500,EXPORT)**

**ASSEMBLY**

CLICK HERE TO **DOWNLOAD** THE COMPLETE MANUAL

- Thank you very much for reading the preview of the manual.
- You can download the complete manual from: [www.heydownloads.com](http://www.heydownloads.com) by clicking the link below



- Please note: If there is no response to CLICKING the link, please download this PDF first and then click on it.

CLICK HERE TO **DOWNLOAD** THE COMPLETE MANUAL

## TM-ZE500 41050504044A FRAME/HOOK-IN, MANUAL VALVE (G)

Pos No.	Parts No	Parts Name	Qty	Unit	Technical Data	Serial No (Start)	Serial No (End)	Rema
2	36101895020	BREATHER ASSY (OB-10B)	1					
3	36102485010	GAUGE,OIL	1					
4	36102075020	PLUG	1					
5	91803880070	CLIP	2		D=13.1-16.2			
10	36102075030	WASHER,SEAL	1					
31	53156005010	ELEMENT (OB-10T & OB-10B)	1					
33	36101895030	RETAINER ASSY	1					
50	36102290000	TANK,OIL	1					

## TM-ZE500 41050504044A FRAME/HOOK-IN, MANUAL VALVE (G)

Pos No.	Parts No	Parts Name	Qty	Unit	Technical Data	Serial No (Start)	Serial No (End)	Remarks
1	36623930000	VALVE,PILOT CHECK	1					
2	90172110040	BOLT,HEXAGON SOCKET	2		M10X40			
3	80491002020	JOINT (WITH O-RING)	2					
4	91002801000	O-RING	2		1B P10			
5	36034780000	CYLINDER ASSY,JACK	1				EW6837	
	36037410000	CYLINDER ASSY,JACK	1			EW6838		
31	91002801100	O-RING	2		1B P11			

## TM-ZE500 41050504044A FRAME/HOOK-IN,MANUAL VALVE (G)

Pos No.	Parts No	Parts Name	Qty	Unit	Technical Data	Serial No (Start)	Se
1	36034780100	CYLINDER	1				
	36034780100	CYLINDER	1				
2	36033920200	PISTON	1				
	36033920200	PISTON	1				
3	91002903500	O-RING	1		1B G35		
	91002903500	O-RING	1		1B G35		
4	91350208501	BEARING,PLAIN(PACKINGX2+BEARING,PLAINX1)	1				
	91350208501	BEARING,PLAIN(PACKINGX2+BEARING,PLAINX1)	1				
5	36032710200	COVER,ROD	1				
	36032710200	COVER,ROD	1				
6	91002908000	O-RING	1		1B G80		
	91002908000	O-RING	1		1B G80		
7	91694007001	PACKING	1				
	91694007001	PACKING	1				
8	91410207001	RING,BACKUP	1				
	91410207001	RING,BACKUP	1				
9	91660007001	SEAL,DUST	1				
	91660007001	SEAL,DUST	1				
10	36033920300	ROD	1				
	36033920300	ROD	1				
30	36033929900	PACKING SET	1		70X85		
	36033929900	PACKING SET	1		70X85		
50	36036630000	CYLINDER ASSY,JACK	1				
	36036630000	CYLINDER ASSY,JACK	1				

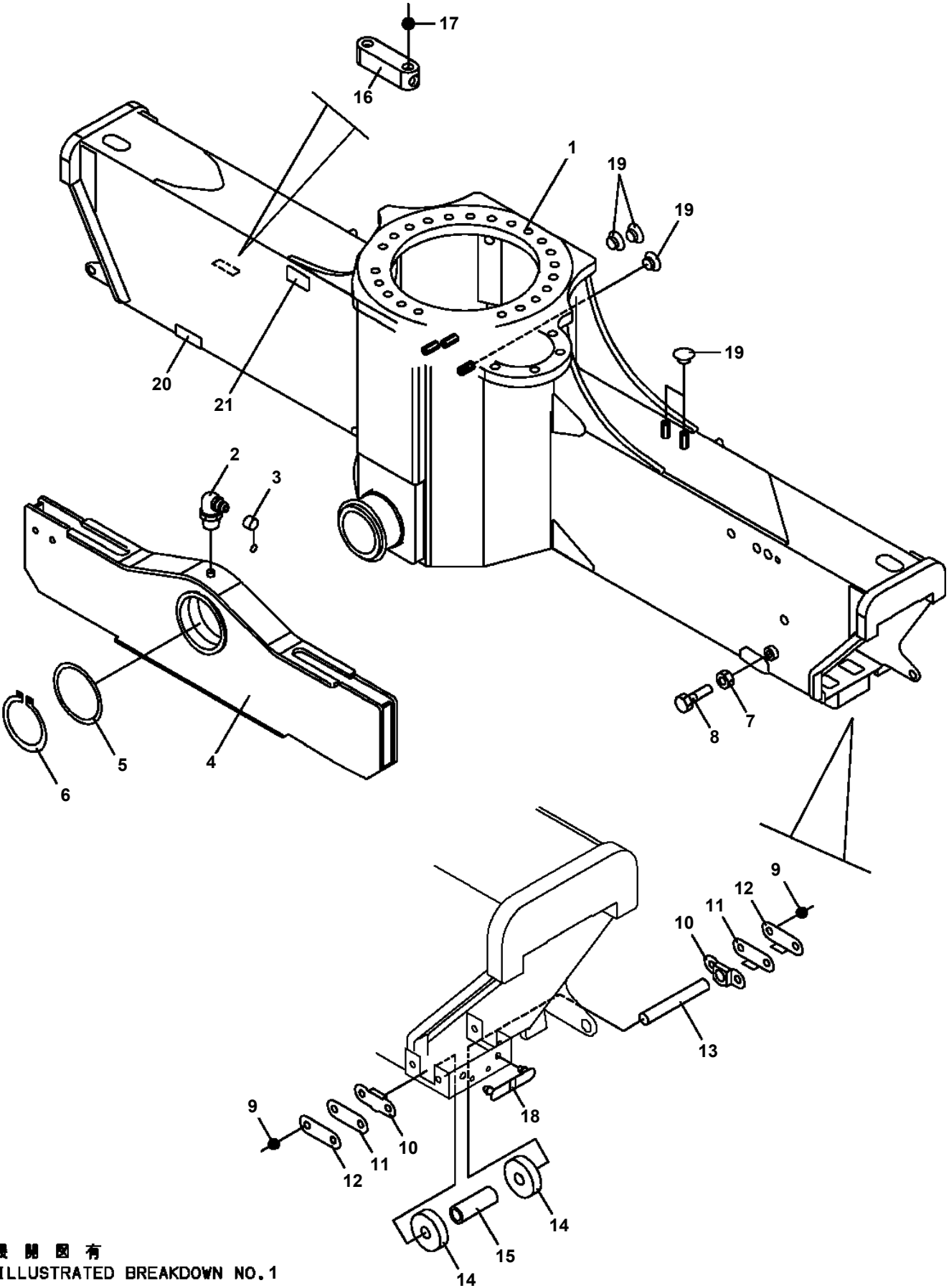
# TM-ZE500 41050504044A FRAME/HOOK-IN,MANUAL VALVE (G)

Pos No.	Parts No	Parts Name	Qty	Unit	Technical Data	Serial No (Start)	Serial No (End)
1	36034780100	CYLINDER	1				
2	36037390100	PISTON	1				
3	91002903500	O-RING	1		1B G35		
5	36032710200	COVER,ROD	1				
6	91002908000	O-RING	1		1B G80		
7	91694007001	PACKING	1				
8	91410207001	RING,BACKUP	1				
9	91660007001	SEAL,DUST	1				
10	36035380300	ROD	1				
11	91350308501	PACKING ASSY (PACKING X2+BACKUP RING X2)	1				
12	91332208500	BEARING,PLAIN	1				
30	36037359900	PACKING SET	1		70X85		
100	36037400000	CYLINDER ASSY,JACK	1				

# TM-ZE500 41050504044A FRAME/HOOK-IN,MANUAL VALVE (G)

Pos No.	Parts No	Parts Name	Qty	Unit	Technical Data	Serial No (Start)	Serial No (End)
1	31658271100	HARNESS	1				
4	31656010201	SUPPORT	1				
5	90171110018	BOLT	4		M10X18		
6	90302041001	WASHER,SPRING	4		10		
7	90186208014	BOLT,FLANGE	6		M8X14		PA1270
	90186208014	BOLT,FLANGE	8		M8X14	PA1271	
8	31653241300	COVER	2				
9	90186206010	BOLT,FLANGE	4		M6X10		
10	31653241100	BUZZER ASSY	1				
11	34352782100	BUZZER	1				
12	90186208020	BOLT,FLANGE	1		M8X20		
13	90280200800	NUT,FLANGE	1		M8		
15	90186206020	BOLT,FLANGE	3		M6X20		
16	90303070601	WASHER,PLAIN	8		6		
17	90280200600	NUT,FLANGE	4		M6		
18	91850100802	CLAMP	11				
19	91810130250	FASTENER	17				
20	91850310405	CLAMP (BLACK)	3				
21	31656290200	COVER	1				
23	31656560200	SUPPORT	1				
24	90186210014	BOLT,FLANGE	2		M10X14		
25	31656101200	PLUG (2-POLES,FEMALE)	1				
26	31656110100	PLATE	2				
27	90201200600	NUT	4		M6		
28	31652991700	PLUG (4-POLES,FEMALE)	1				
29	90101208014	BOLT	2		M8X14		PA1270
30	90303070801	WASHER,PLAIN	2		8		PA1270
51	31653243100	SUPPORT	2				
52	31656292120	SWITCH ASSY (GREEN:PANASONIC)	1				
	31656292110	SWITCH ASSY (PLATING:NACC)	1				
53	82197518119	CAP (PLUS ONE MFG./BLACK)	1				
	82197518114	CAP (MATSUSHITA/BLACK)	1				
54	82197600101	CAP (BLACK)	2				
55	82197600103	CAP (RED)	1				
73	31653303200	SWITCH ASSY (NIHON AUTOMATIC)	1				
	31653303300	SWITCH ASSY (MATSUSHITA)	1				
91	31656011200	COVER	1				
92	37002227560	PLATE,NAME (BLACK)	2		D=16		
93	34354781710	RELAY (WITH BRACKET)	2				
94	90280200600	NUT,FLANGE	2		M6		
95	80197586012	SCREW,MACHINE	2		M6X12		

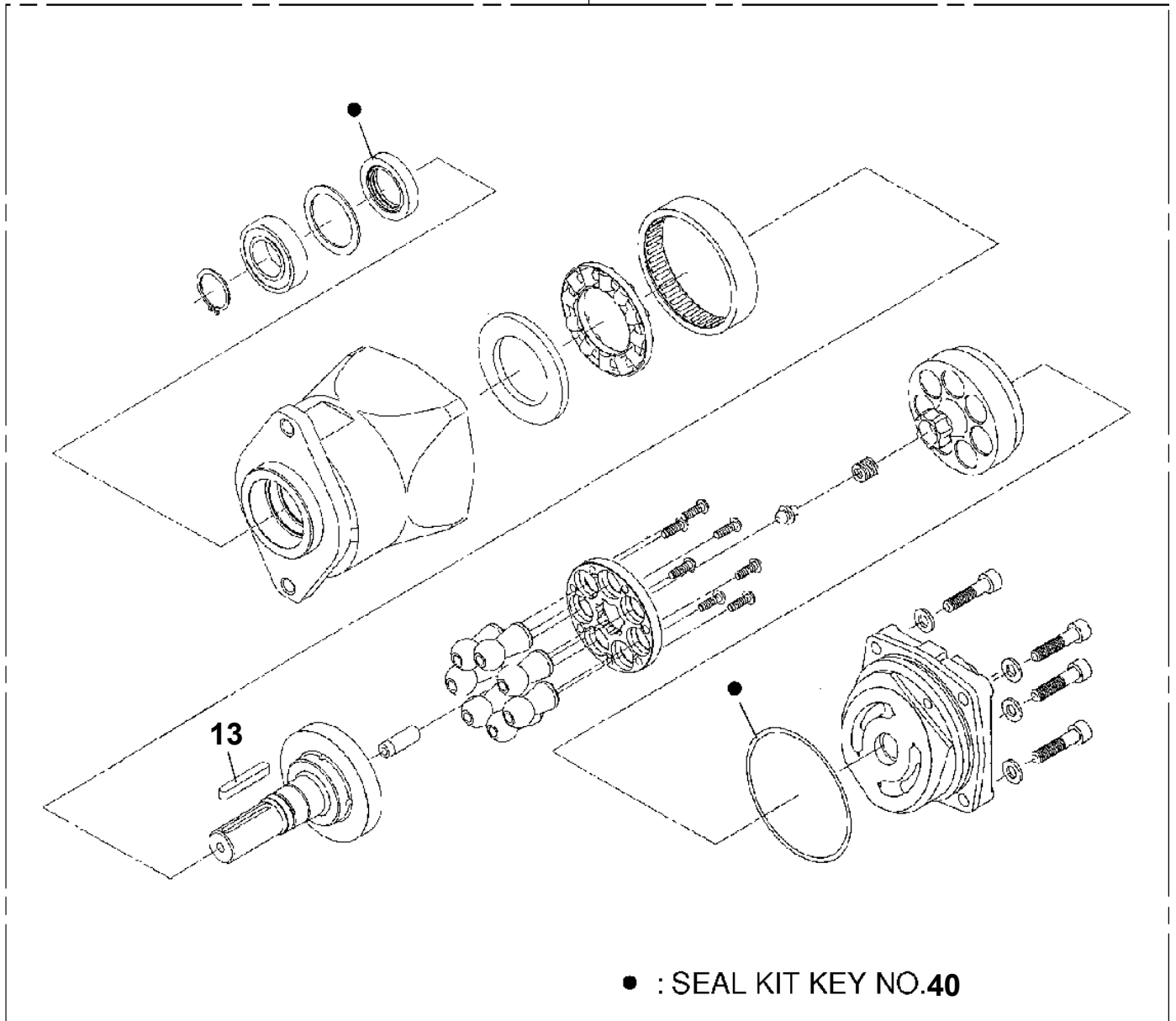
TM-ZE500 41050504044A FRAME/HOOK-IN,MANUAL VALVE (G)  
PF5100196-00 FRAME ASSY



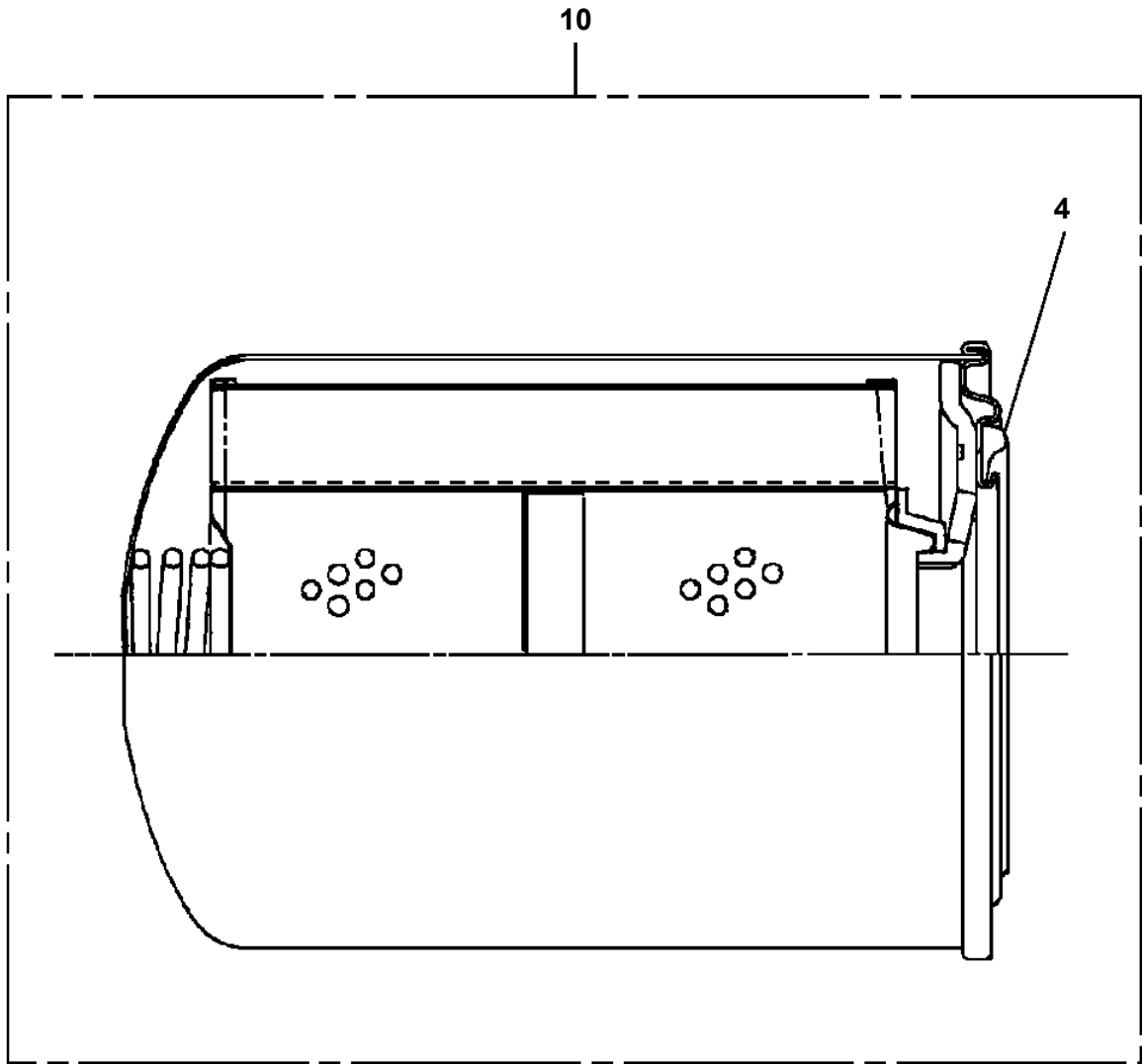
展開圖有  
ILLUSTRATED BREAKDOWN NO.1

**TM-ZE500 41050504044A FRAME/HOOK-IN,MANUAL VALVE (G)  
PI1010152-00 MOTOR,HYDRAULIC (WINCH)**

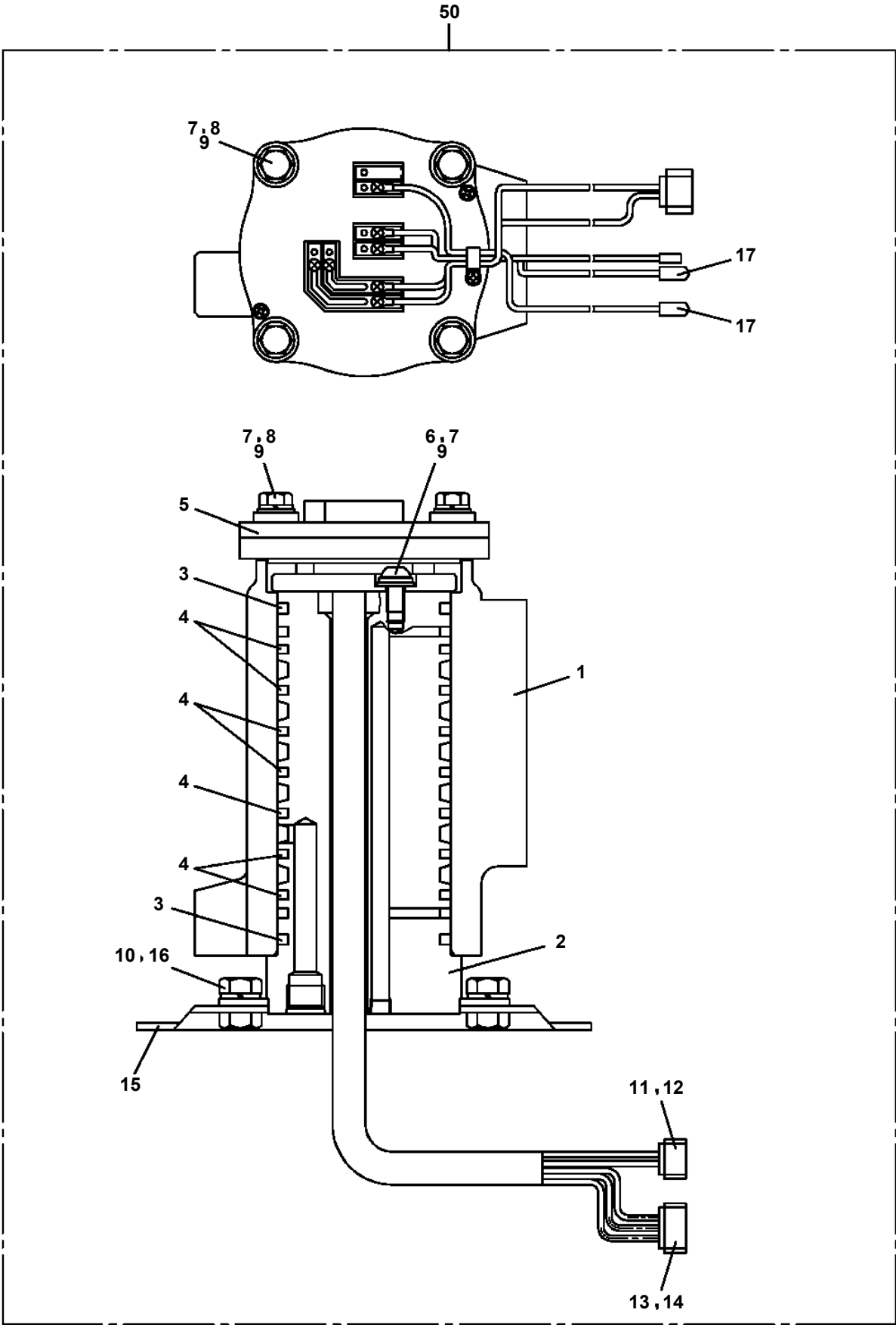
50



TM-ZE500 41050504044A FRAME/HOOK-IN,MANUAL VALVE (G)  
PI1300028-01 FILTER,OIL (CARTRIDGE)



TM-ZE500 41050504044A FRAME/HOOK-IN, MANUAL VALVE (G)  
PJ5090025-00 JOINT ASSY, SWIVEL



CLICK HERE TO **DOWNLOAD** THE COMPLETE MANUAL

- Thank you very much for reading the preview of the manual.
- You can download the complete manual from: [www.heydownloads.com](http://www.heydownloads.com) by clicking the link below

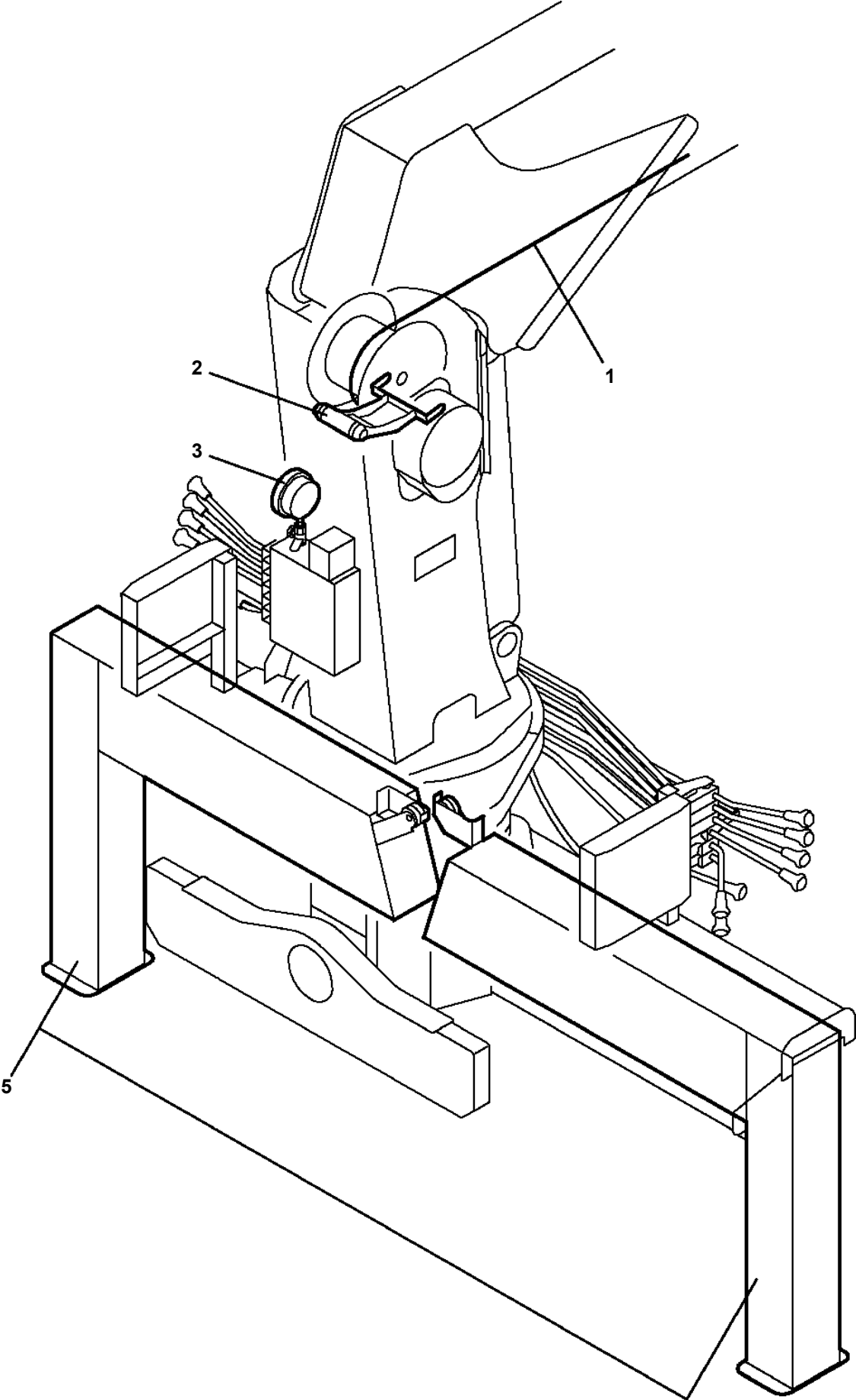


- Please note: If there is no response to CLICKING the link, please download this PDF first and then click on it.

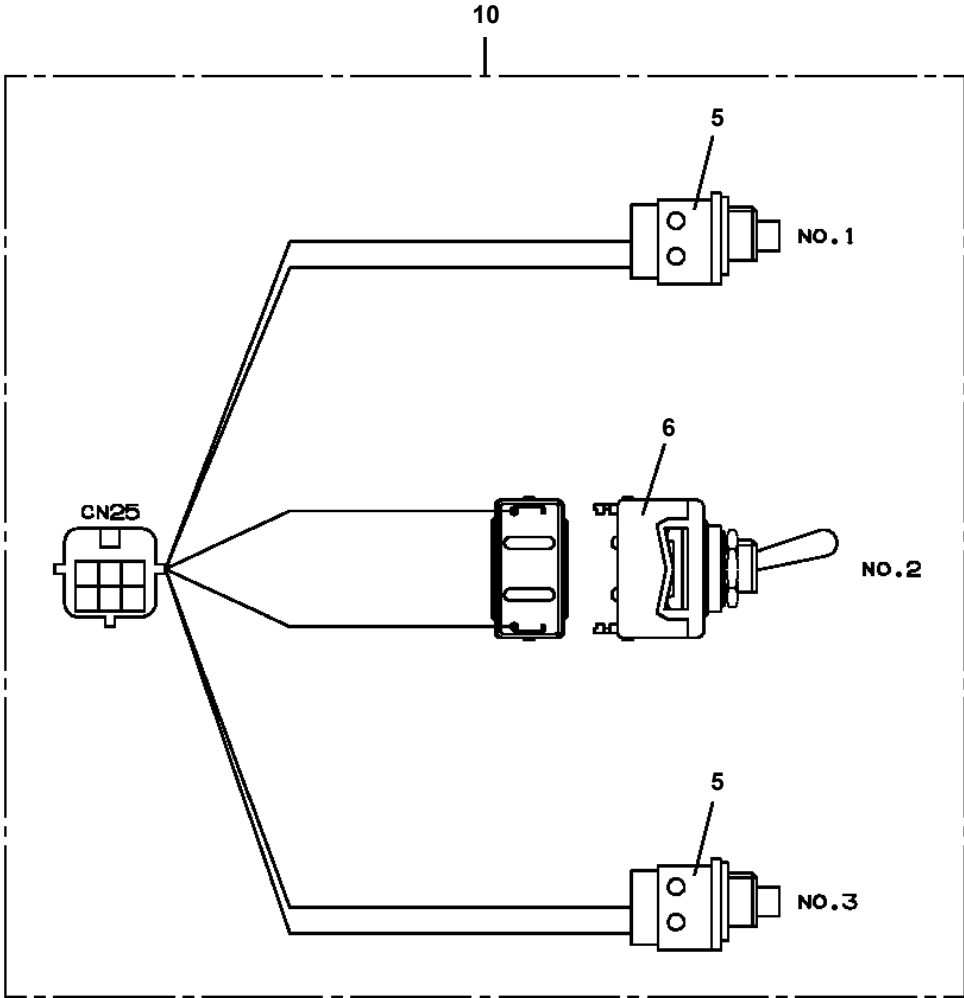
CLICK HERE TO **DOWNLOAD** THE COMPLETE MANUAL

**TM-ZE500 41050504044A FRAME/HOOK-IN,MANUAL VALVE (G)**

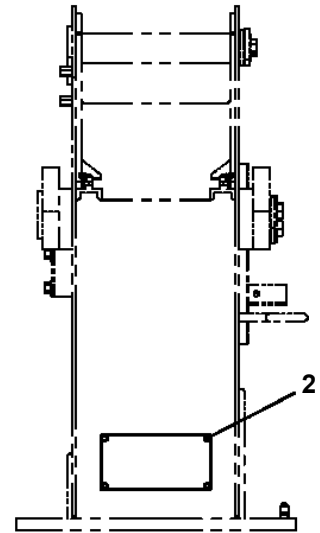
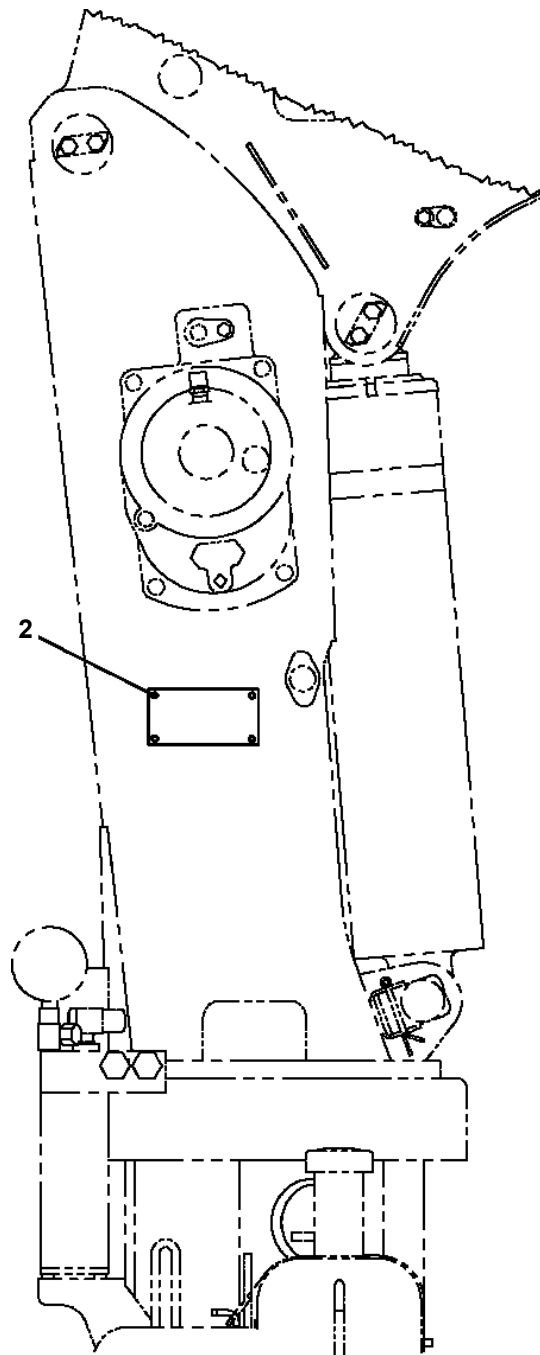
**PK2001329-00 FRAME UNIT (2)**



**TM-ZE500 41050504044A FRAME/HOOK-IN,MANUAL VALVE (G)  
PN1140199-00 SWITCH ASSY (GREEN:PANASONIC)**

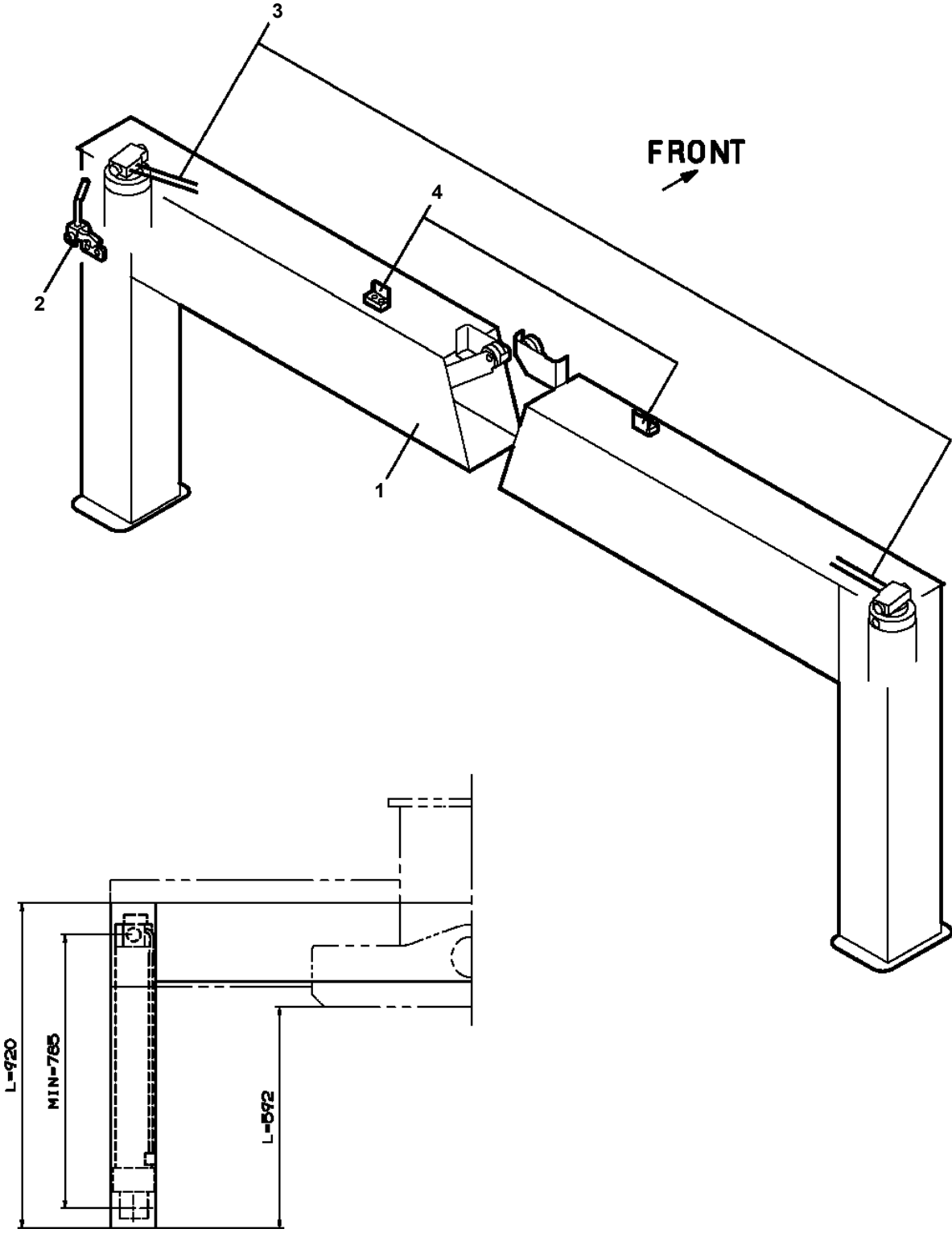


TM-ZE500 41050504044A FRAME/HOOK-IN,MANUAL VALVE (G)  
PO1014946-01 PLATE ASSY,NAME (POST)

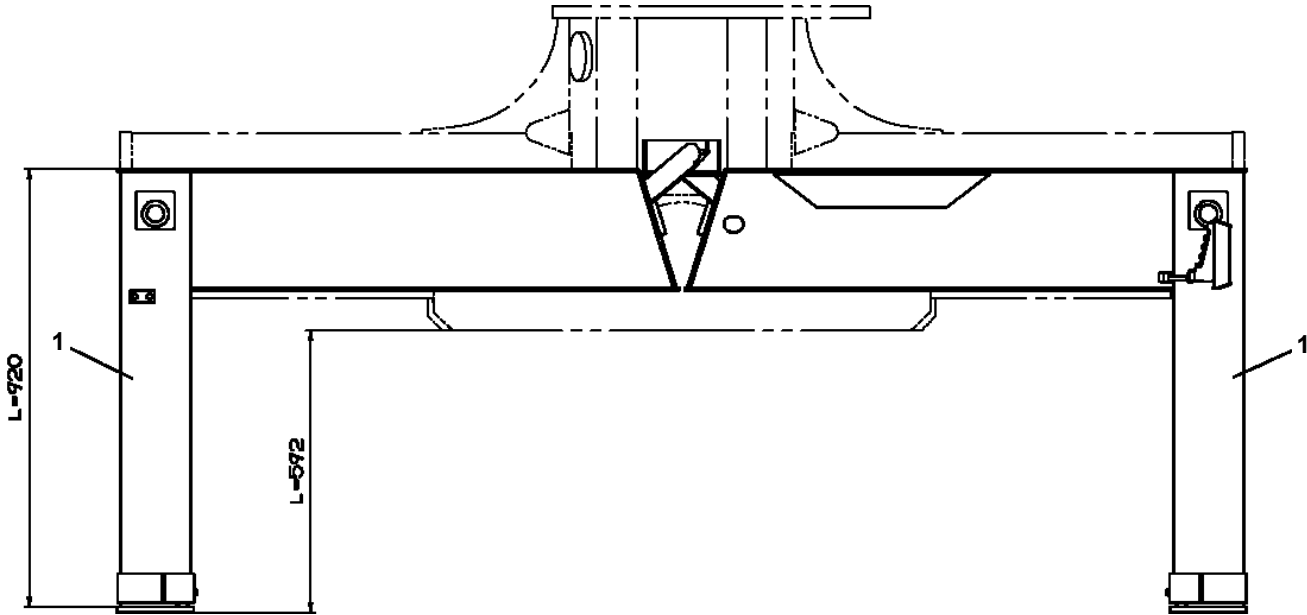


ZS220  
(ポスト前面)

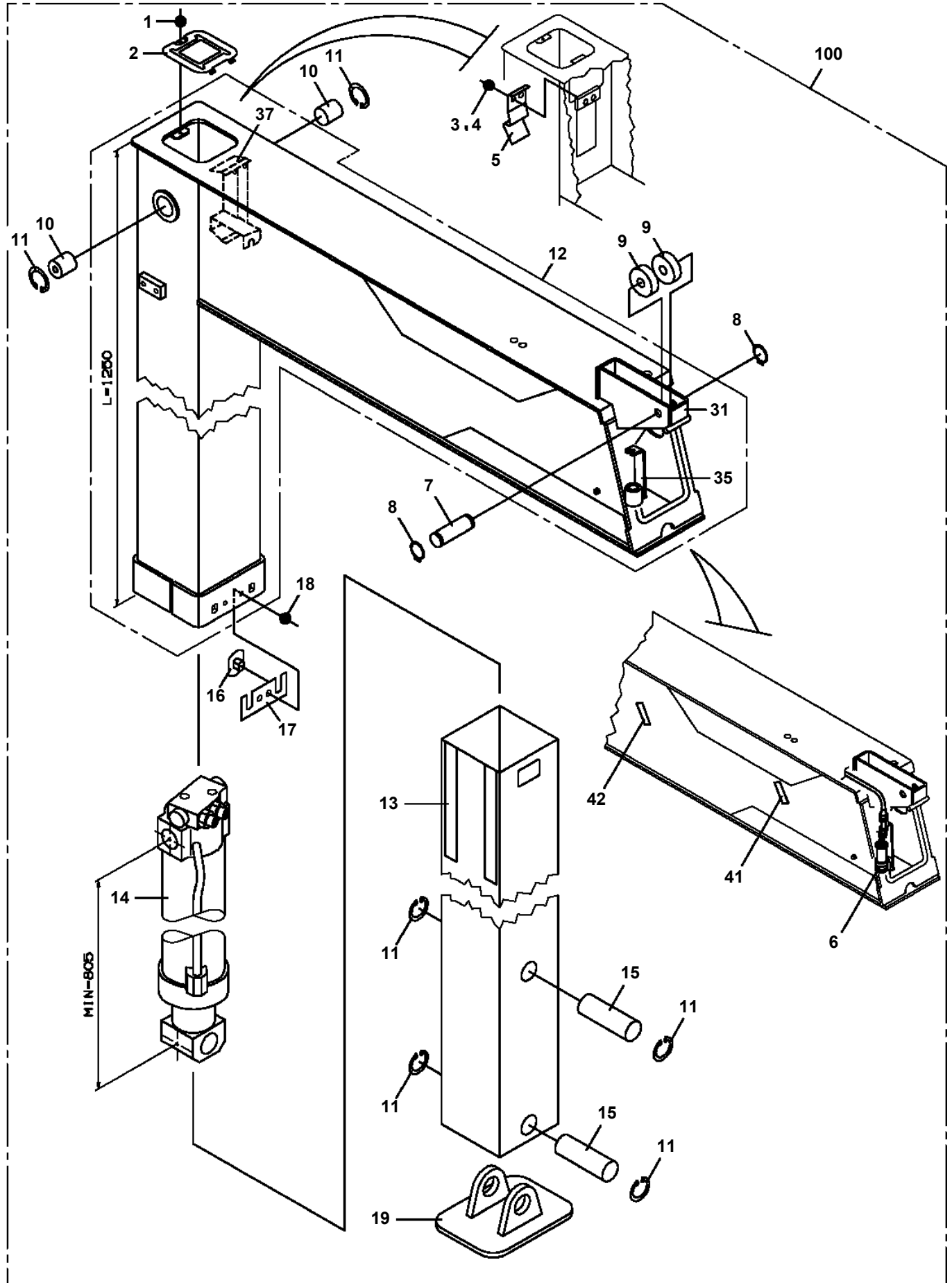
TM-ZE500 41050504044A FRAME/HOOK-IN, MANUAL VALVE (G)  
PO5270018-02 OUTRIGGER ASSY (L=592, MIN=785)



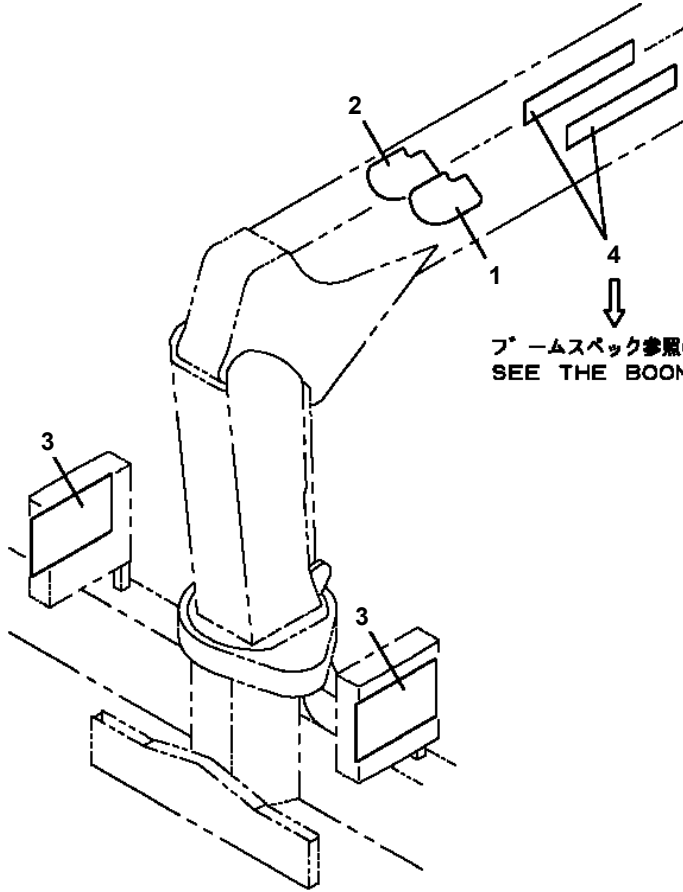
TM-ZE500 41050504044A FRAME/HOOK-IN,MANUAL VALVE (G)  
PO5270053-01 OUTRIGGER ASSY (L=592,CASE:L=920)



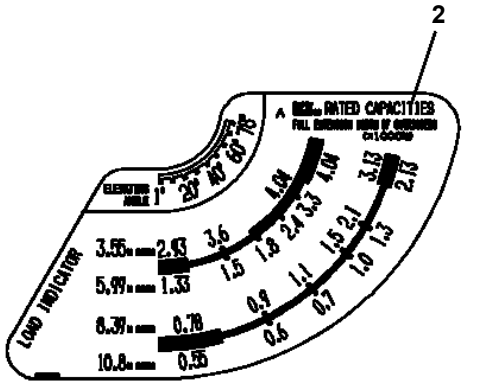
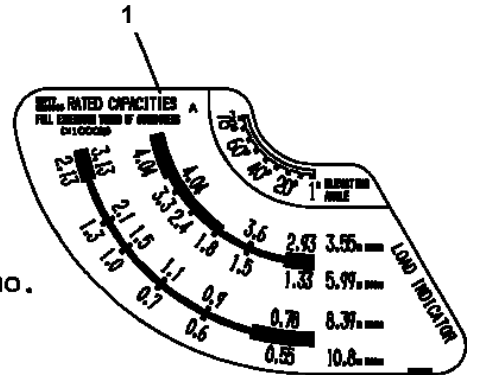
TM-ZE500 41050504044A FRAME/HOOK-IN, MANUAL VALVE (G)  
PO5270236-00 OUTRIGGER ASSY (CASE:L=1250,MIN=805)



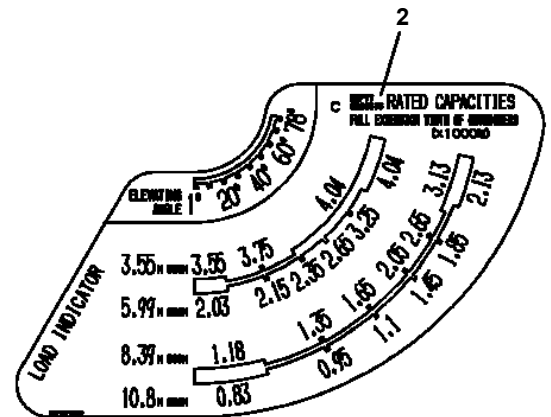
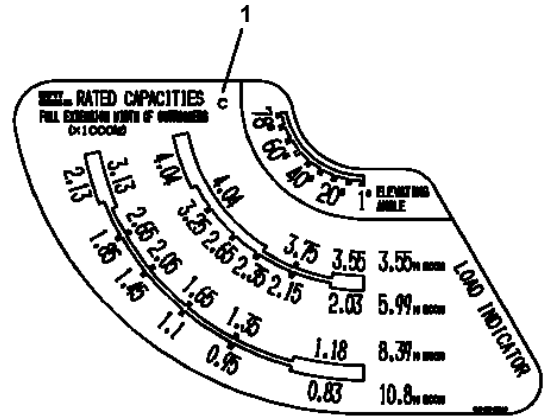
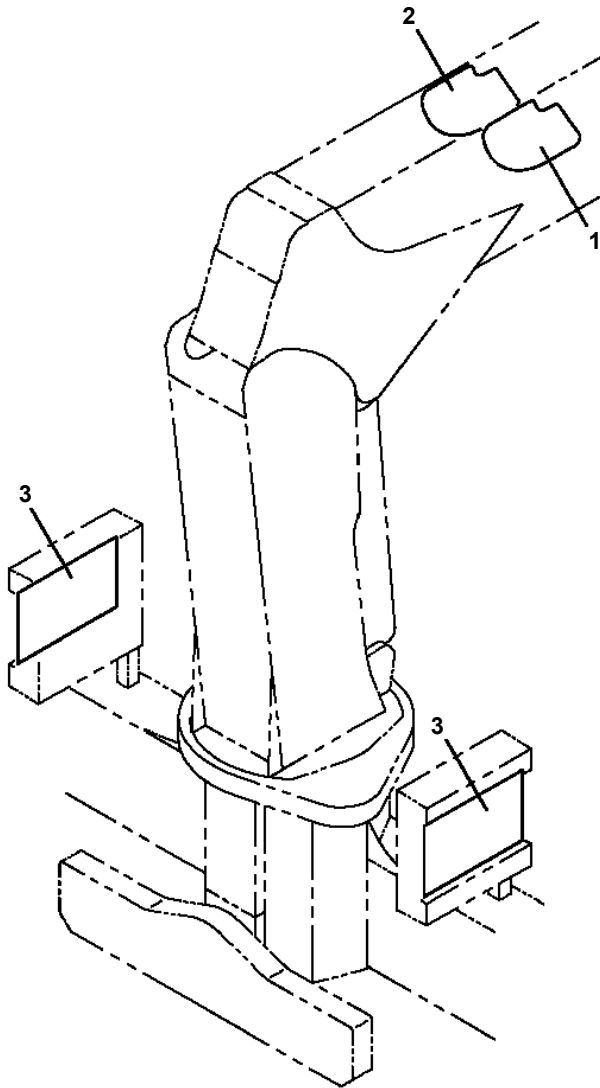
TM-ZE500 41050504044A FRAME/HOOK-IN, MANUAL VALVE (G)  
 PP5200217-01 PERFORMANCE DATA (ZE504G,A)



ブームスペック参照のこと  
 SEE THE BOOM SPEC. NO.



**TM-ZE500 41050504044A FRAME/HOOK-IN, MANUAL VALVE (G)  
PP5200469-00 PERFORMANCE DATA (ZE504GMH,C/4040KG)**



**3**

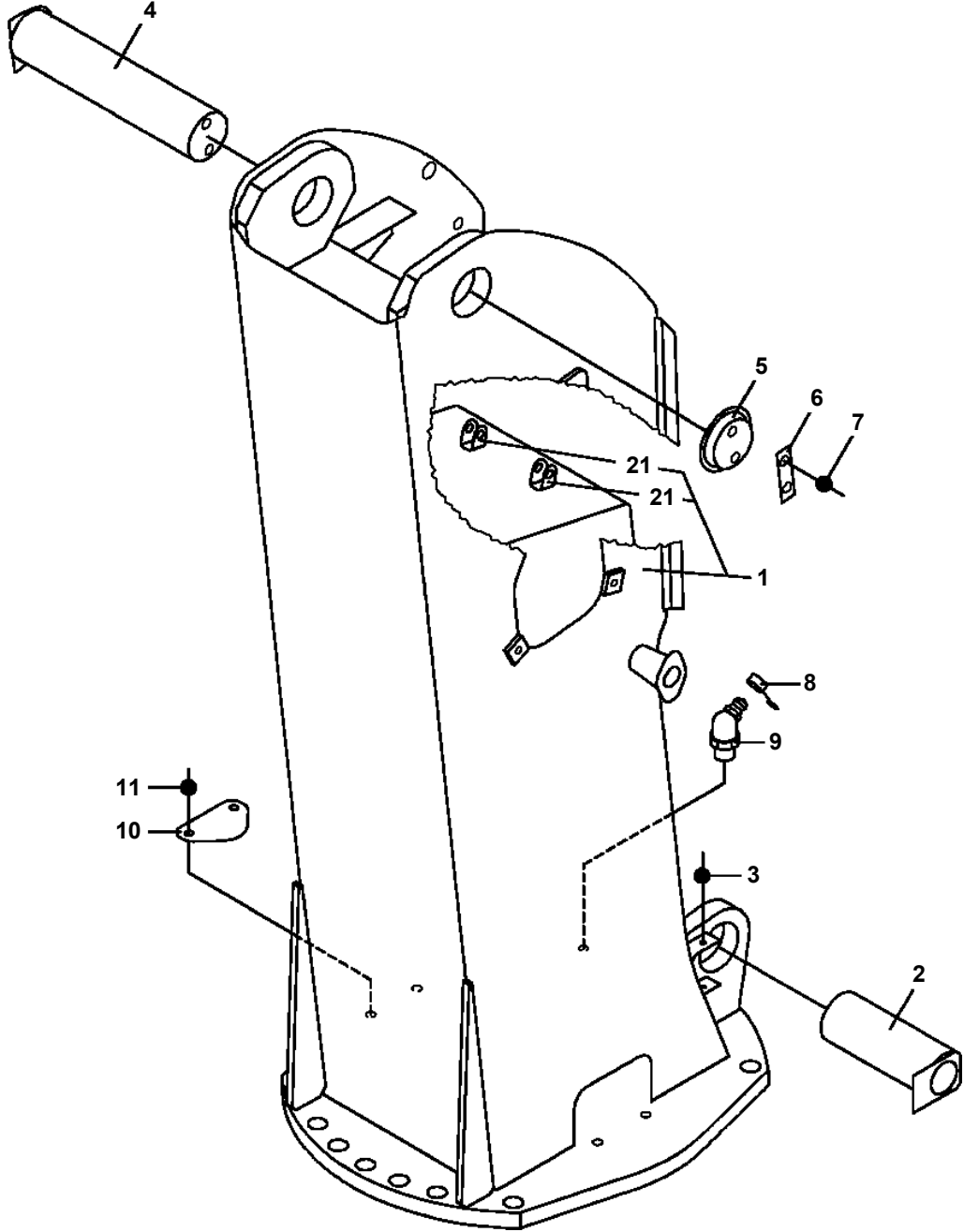
Flow rate (kN)	20°			40°			60°			75°			
	A	B	C	A	B	C	A	B	C	A	B	C	
2.15	1.8	2.05	2.35	2.65	3.05	3.55	4.04	4.54	5.04	5.99	6.89	8.39	10.8
2.65	2.05	2.35	2.65	3.05	3.55	4.04	4.54	5.04	5.99	6.89	8.39	10.8	
3.15	2.35	2.65	3.05	3.55	4.04	4.54	5.04	5.99	6.89	8.39	10.8		
3.55	2.65	3.05	3.55	4.04	4.54	5.04	5.99	6.89	8.39	10.8			
4.04	3.05	3.55	4.04	4.54	5.04	5.99	6.89	8.39	10.8				
4.54	3.55	4.04	4.54	5.04	5.99	6.89	8.39	10.8					
5.04	4.04	4.54	5.04	5.99	6.89	8.39	10.8						
5.99	4.54	5.04	5.99	6.89	8.39	10.8							
6.89	5.04	5.99	6.89	8.39	10.8								
8.39	5.99	6.89	8.39	10.8									
10.8	6.89	8.39	10.8										

**MAX. RATED CAPACITIES**  
FULL EXTENSION STATE OF OPERATION  
D:1000mm

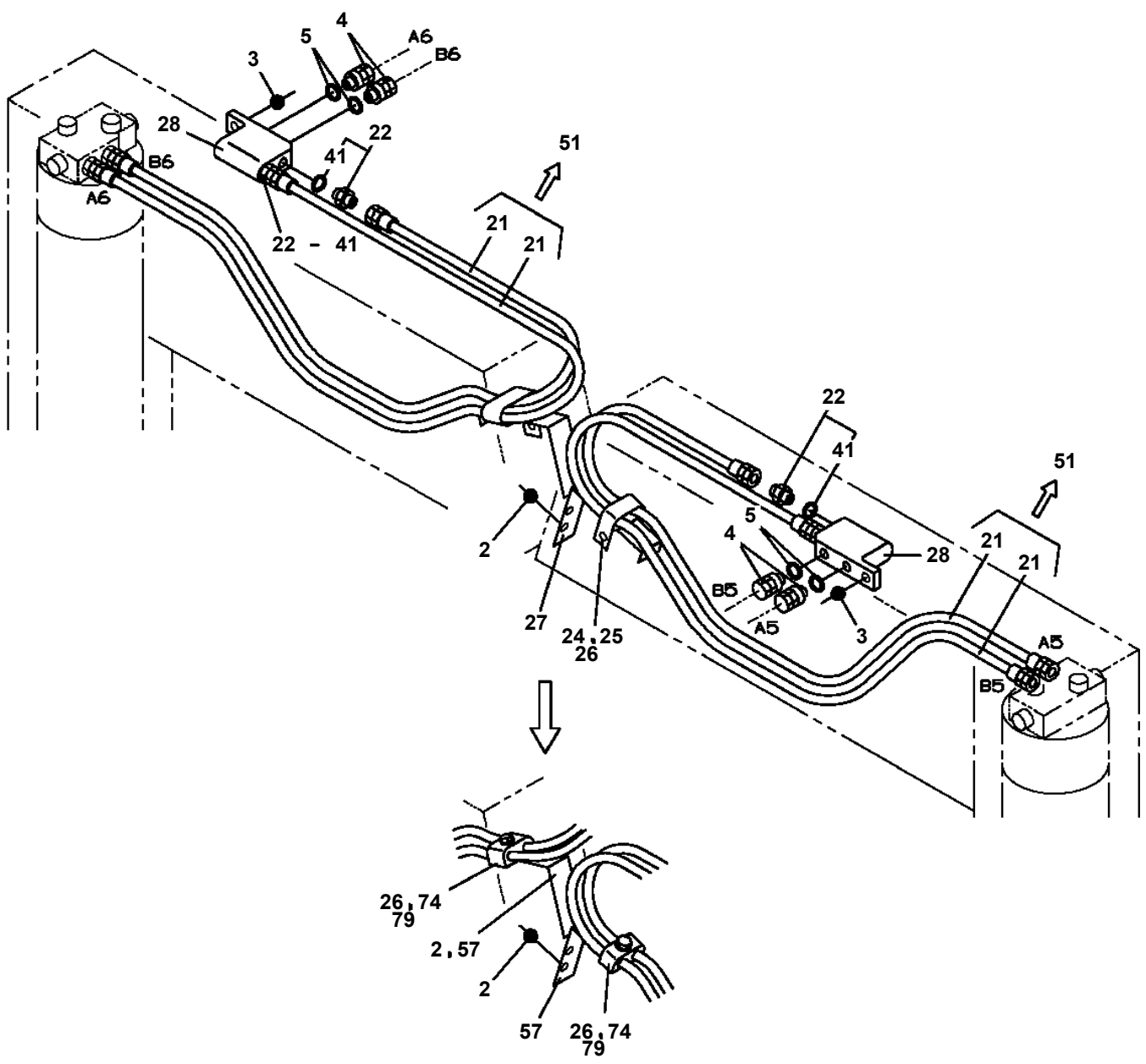
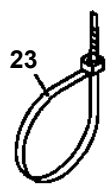
**ATTENTION / Notice always read before operation**

**CAUTION / Notice always read before operation**

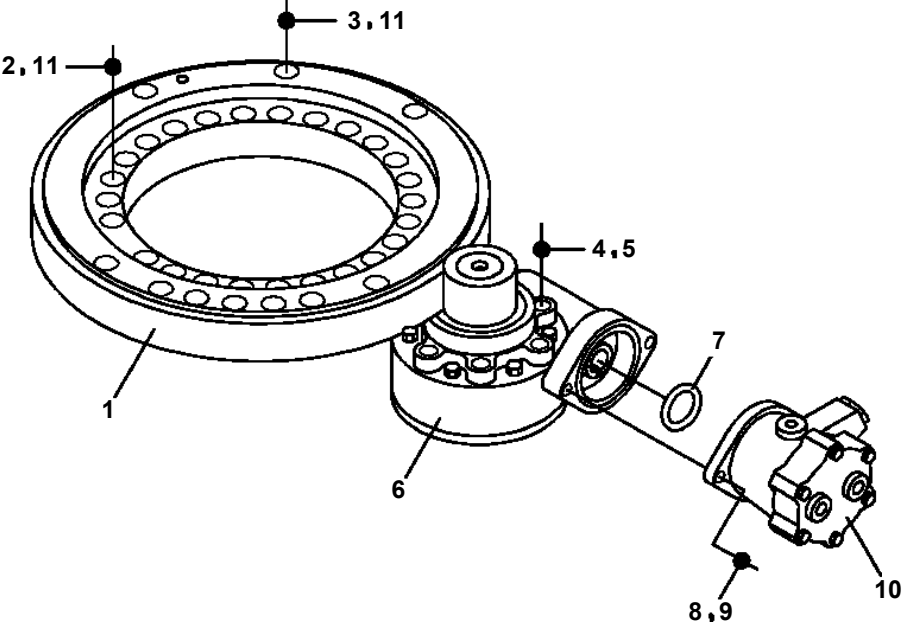
TM-ZE500 41050504044A FRAME/HOOK-IN,MANUAL VALVE (G)  
PP5300002-01 POST ASSY



TM-ZE500 41050504044A FRAME/HOOK-IN,MANUAL VALVE (G)  
PP6220003-02 PIPING ASSY,OUTRIGGER



**TM-ZE500 41050504044A FRAME/HOOK-IN,MANUAL VALVE (G)  
PS5500008-00 SWING ASSY**



CLICK HERE TO **DOWNLOAD** THE COMPLETE MANUAL

- Thank you very much for reading the preview of the manual.
- You can download the complete manual from: [www.heydownloads.com](http://www.heydownloads.com) by clicking the link below



- Please note: If there is no response to CLICKING the link, please download this PDF first and then click on it.

CLICK HERE TO **DOWNLOAD** THE COMPLETE MANUAL