

TM-ZE500 41050501196A FRAME/HOOK-IN,MANUAL VALVE

PB0000225-01 SYSTEM (ZE500,DOMESTIC)

ASSEMBLY

CLICK HERE TO **DOWNLOAD** THE COMPLETE MANUAL

- Thank you very much for reading the preview of the manual.
- You can download the complete manual from: www.heydownloads.com by clicking the link below



- Please note: If there is no response to CLICKING the link, please download this PDF first and then click on it.

CLICK HERE TO **DOWNLOAD** THE COMPLETE MANUAL

TM-ZE500 41050501196A FRAME/HOOK-IN,MANUAL VALVE

PY5170066-00 ALARM ASSY (ADDITIONAL PARTS FOR O/R STOWING REMINDER)
PY5170067-00 ALARM ASSY (ELEVATION STOWING REMINDER)
PY5170068-00 ALARM ASSY (ELEVATION STOWING REMINDER)
PY5170069-00 ALARM ASSY (BOOM LOWERING & OUTRIGGER STOWING REMINDER)
PY5170070-00 ALARM ASSY (BOOM LOWERING & OUTRIGGER STOWING REMINDER)
PY5170083-00 ALARM ASSY (STOWING FAILURE:BOOM)
PY5170089-00 ALARM ASSY (OUTRIGGER STOWING FAILURE)
PY5170090-00 ALARM ASSY (BOOM,OUTRIGGER STOWING FAILURE)
PZ0000000-00 ELEC.ASSY
PZ0000000-00 PARTS ASSY,BML
PZ0000000-00 PIPING ASSY
PZ0000000-00 ELEC.ASSY
PZ0000000-00 ELEC.ASSY
PZ0000000-00 ELEC.ASSY
PZ0000000-00 ELEC.ASSY
PZ0000000-00 ELEC.ASSY
PZ0000000-00 PARTS ASSY,BML
PZ0000000-00 PARTS ASSY,BML
PZ0000000-00 ELEC.ASSY (ADD BML FUNCTION/ZE500)
PZ0000000-00 RADIO CONTROLLER ASSY
PZ0000000-00 ELEC.ASSY (PRIME ECO SW)
PZ0000000-00 PARTS ASSY,BML
PZ0000000-00 PARTS ASSY,BML
PZ0000000-00 PARTS ASSY,BML
PZ0000000-00 PARTS ASSY,BML
PZ0000000-00 PARTS ASSY,BML

TM-ZE500 41050501196A FRAME/HOOK-IN,MANUAL VALVE

Pos No.	Parts No	Parts Name	Qty	Unit	Technical Data	Serial No (Start)	Serial No (End)	Remarks	Page
1	(*****)	TANK,OIL (MOUNT)	1						0000
2	(*****)	PIPING,LOWER (TANK)	1						0000

TM-ZE500 41050501196A FRAME/HOOK-IN,MANUAL VALVE

Pos No.	Parts No	Parts Name	Qty	Unit	Technical Data	Serial No (Start)	Serial No (End)	Rem
1	31611617510	ADAPTER ASSY	1					
6	36672985050	COUPLING	1					
7	36654275010	MOTOR ASSY	1					
12	44550417820	TANK	1					
14	31611617540	CAP (OIL FILLER)	1					
16	44550417840	CLAMP	2					
17	36672985020	BOLT,HEXAGON SOCKET	4		M6X16			
18	44550417860	GASKET (WITH O-RING)	1					
30	31611617550	VALVE ASSY	1					
31	31611617560	VALVE,SOLENOID	2					
34	31611617570	MANIFOLD	1					
36	31611617580	O-RING	2					
71	36654275020	CONTACTOR	1					
96	36672985010	PLUG	2					
100	36672980001	POWER SUPPLY (REAR JACK)	1					

TM-ZE500 41050501196A FRAME/HOOK-IN,MANUAL VALVE
PB2000039-02 POWER TAKE OFF & PUMP

- POWER TAKE OFF
- パワー テイク オフの選定

[NOTE]

(1) POWER TAKE OFF
IS SUPPLIED FROM THE
VEHICLE MANUFACTURE.

[注 意]

(1) パワーテイクオフは、車両メーカー品です。

- PUMP
- ポンプの選定

key No. 指示番号	PUMP MODEL ポンプ型式番号	RUNNING DIRECTION 回転方向
1	SGP2-52D2H9-L226	COUNTERCLOCKWISE 左

[NOTE]

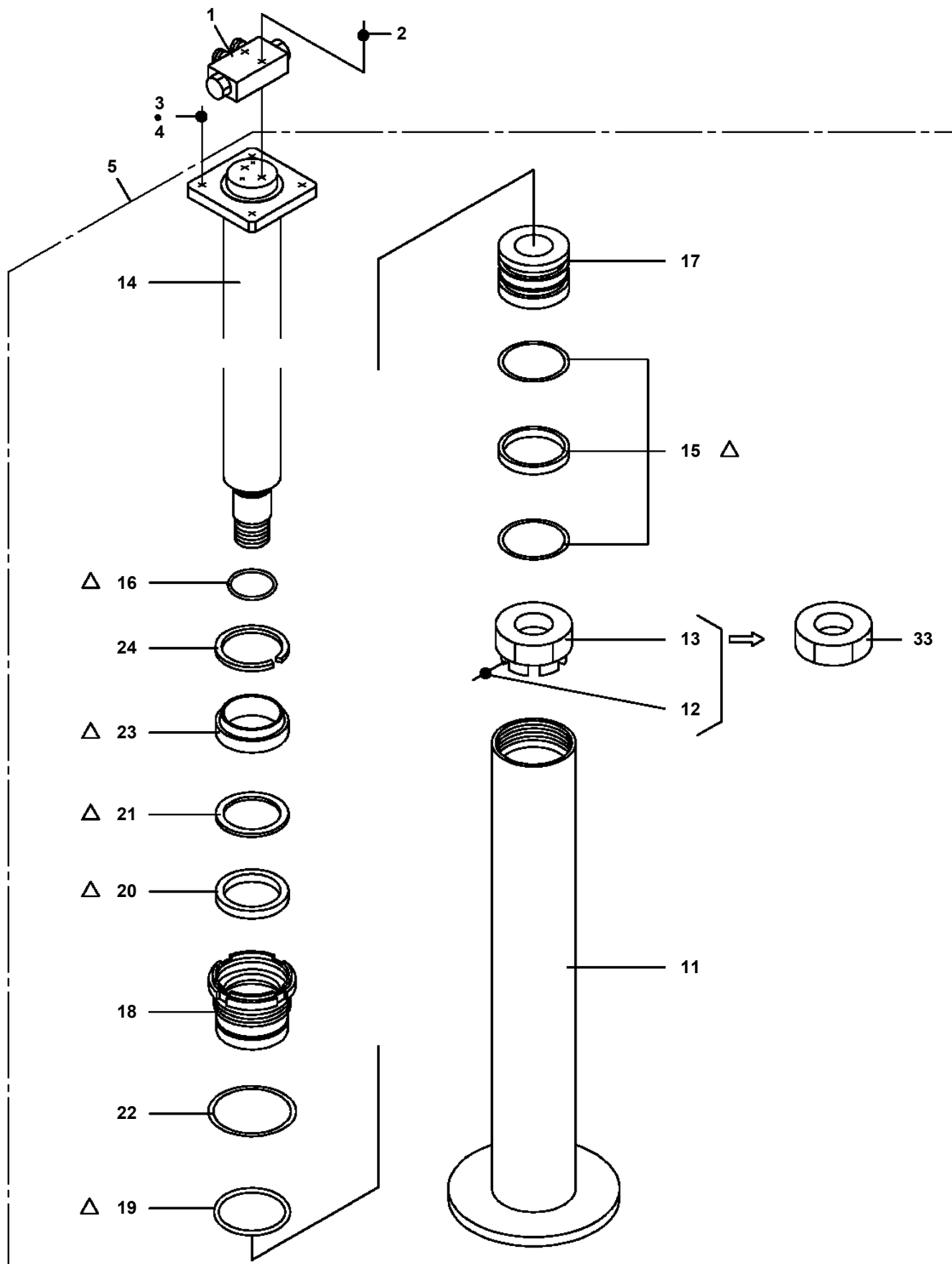
(1) PUMP MODEL NOS. ARE PUNCHED
ON PUMP NAMEPLATES.

(2) THE PUMP RUNNING DIRECTION
IS VIEWED FROM THE SHAFT
TOWARD THE PUMP.

[注 意]

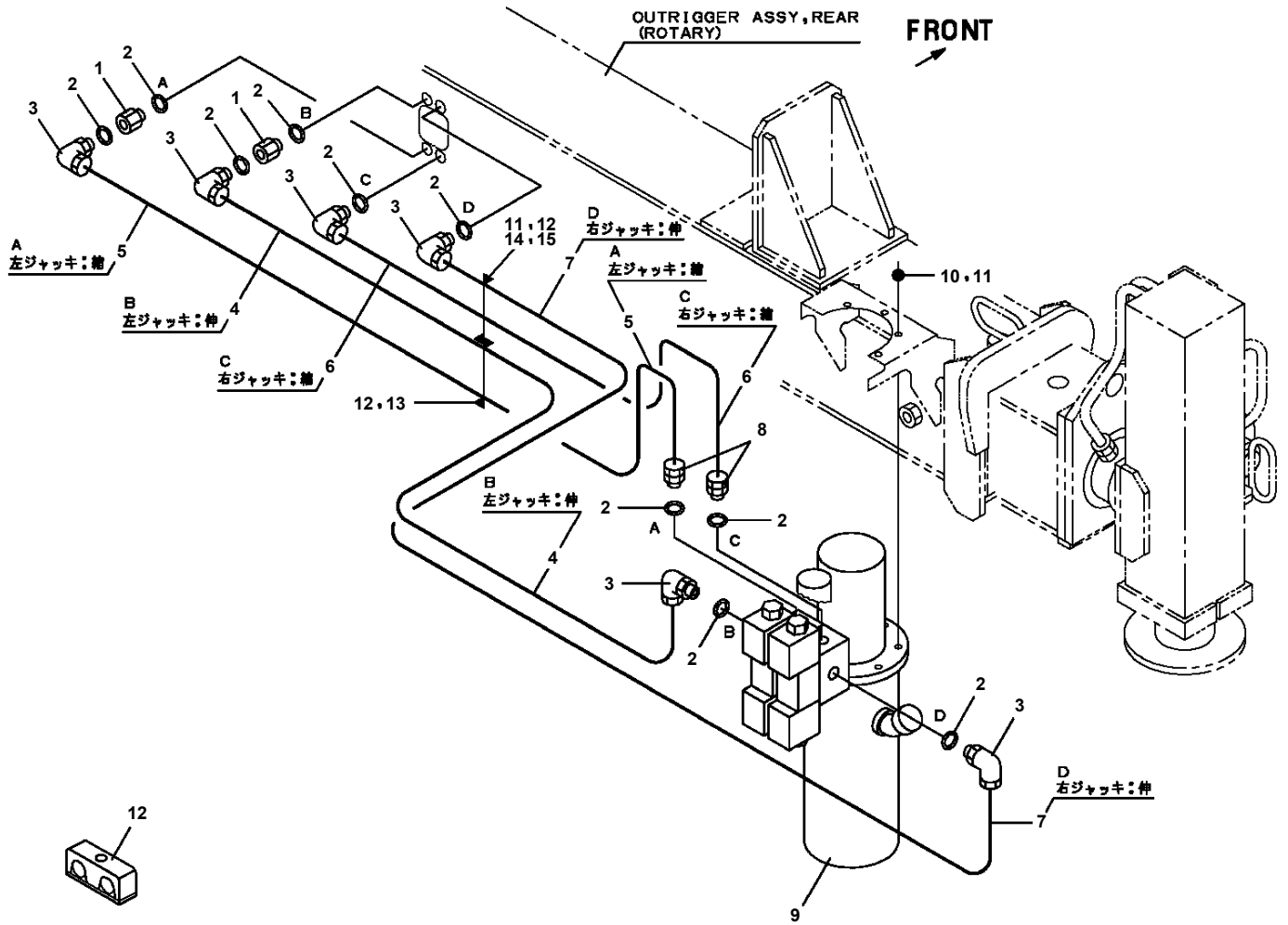
- (1) ポンプ型式番号はポンプ本体の銘板に打刻しています。
- (2) ポンプの回転方向はポンプの軸端から見ての回転方向です。

**TM-ZE500 41050501196A FRAME/HOOK-IN,MANUAL VALVE
PC1030013-04 CYLINDER,JACK (REAR/STROKE 430MM)**

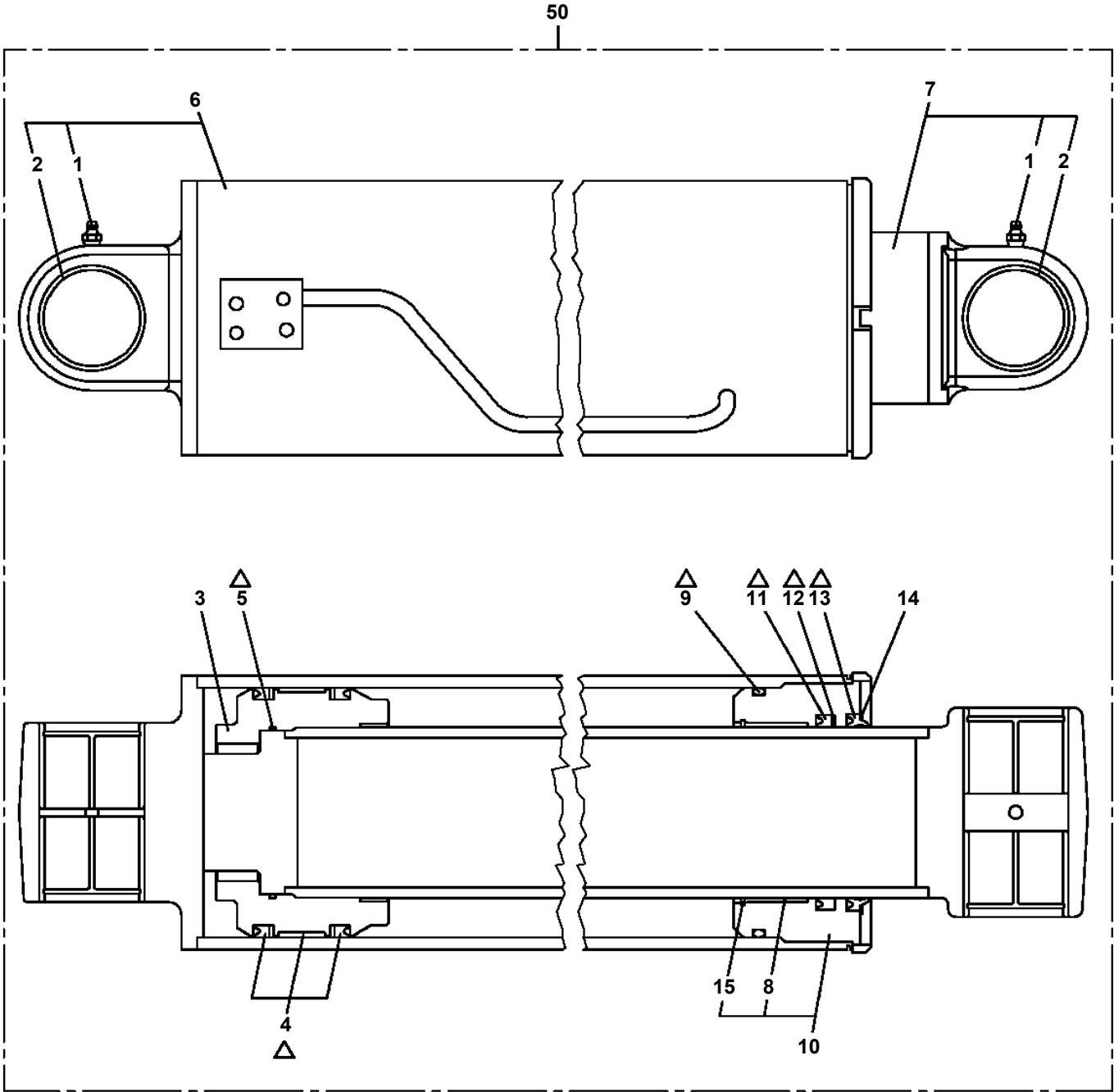


△:PACKING SET KEY NO. 50 (KEY NO.15,16,19,20,21,23)

**TM-ZE500 41050501196A FRAME/HOOK-IN, MANUAL VALVE
PC1230023-03 PIPING, REAR JACK (ROTARY TYPE)**

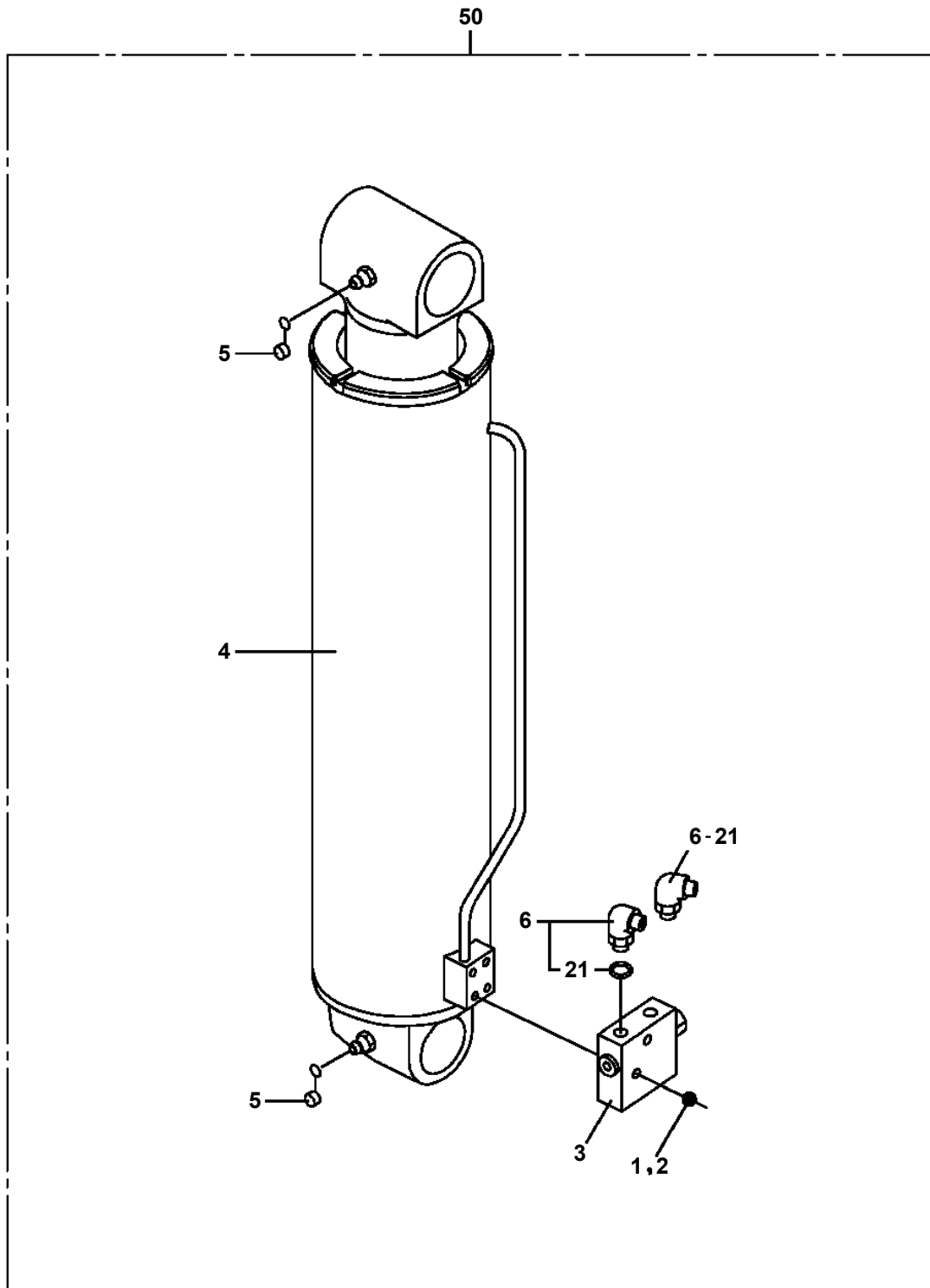


**TM-ZE500 41050501196A FRAME/HOOK-IN,MANUAL VALVE
PC6370003-01 CYLINDER ASSY,DERRICK**



Δ:PACKING SET KEY NO.30 (KEY NO.4,5,9,11,12,13)

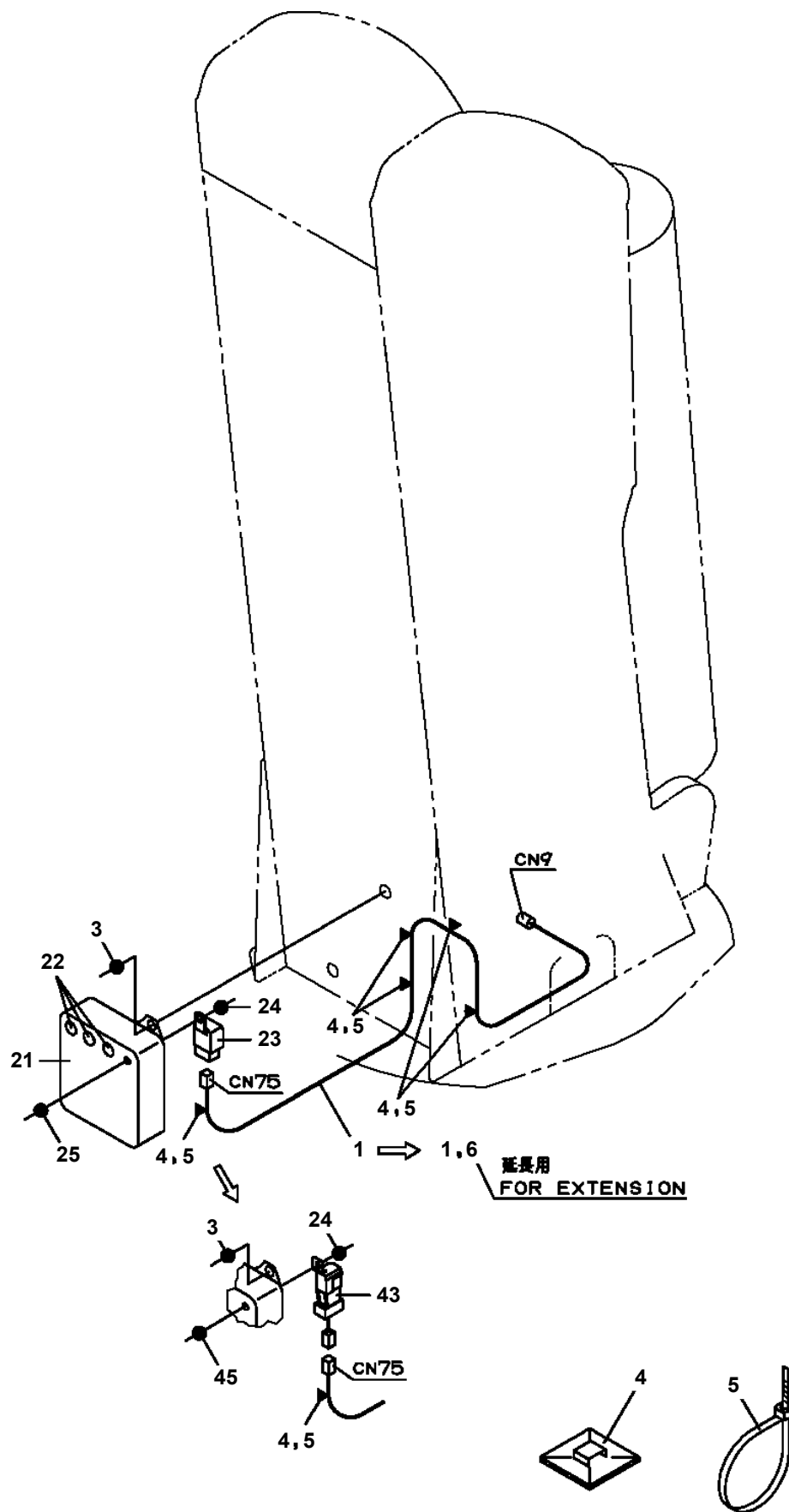
TM-ZE500 41050501196A FRAME/HOOK-IN, MANUAL VALVE
PD5020002-00 DERRICK ASSY



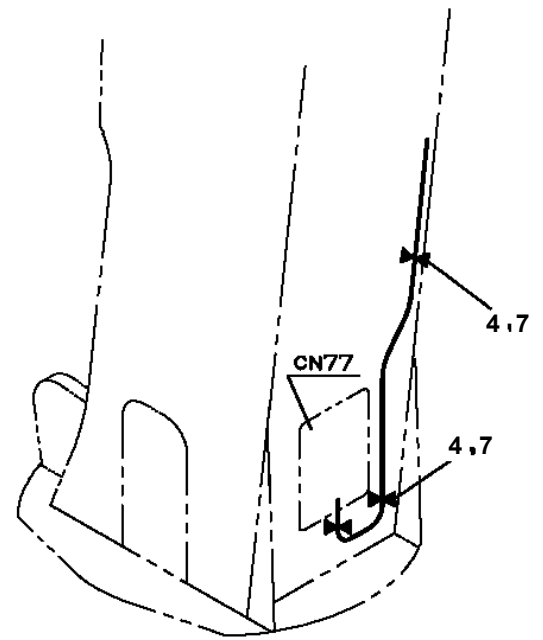
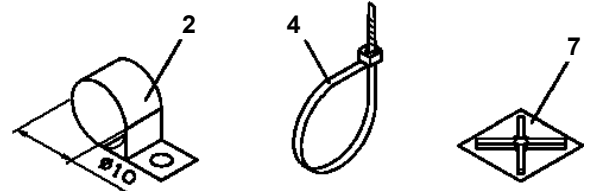
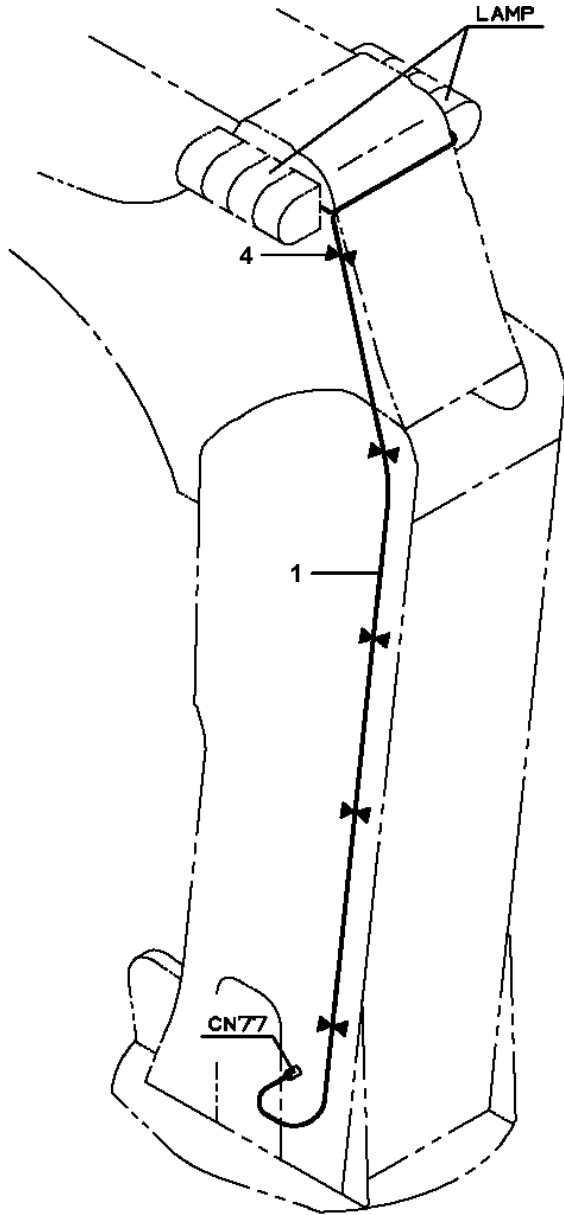
TM-ZE500 41050501196A FRAME/HOOK-IN,MANUAL VALVE

Pos No.	Parts No	Parts Name	Qty	Unit	Technical Data	Serial No (Start)	Serial No (End)	Remarks	Pages
1	31501681100	HARNESS	1						000135
2	91810130250	FASTENER	11						
3	91850310405	CLAMP (BLACK)	2						

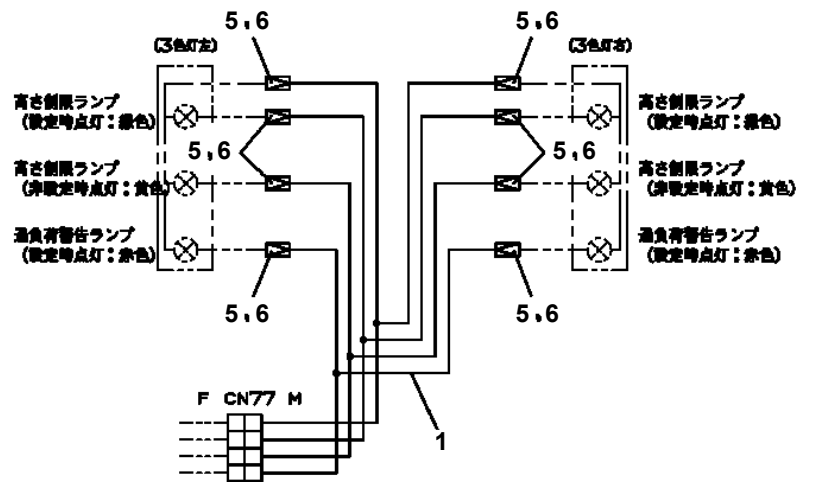
TM-ZE500 41050501196A FRAME/HOOK-IN, MANUAL VALVE
PE5020086-02 ELEC.ASSY (POST)



TM-ZE500 41050501196A FRAME/HOOK-IN, MANUAL VALVE
 PE5020133-02 ELEC.ASSY (LAMP)



CN77がポスト背面リレーBOX内の場合



配線系統図

TM-ZE500 41050501196A FRAME/HOOK-IN,MANUAL VALVE

Pos No.	Parts No	Parts Name	Qty	Unit	Technical Data	Serial No (Start)	Serial No (End)	Ren
1	31656630100	HARNESS	1					
2	31732002100	HARNESS	1		L=160			
3	31656012211	SWITCH ASSY (PLATING:NACC)	1					
4	82197600103	CAP (RED)	1					
5	91810130250	FASTENER	21					
6	91850100802	CLAMP	2					
7	31497310310	PLATE,CAUTION	1					
8	31654010100	PLUG (6POLES,MALE)	2					

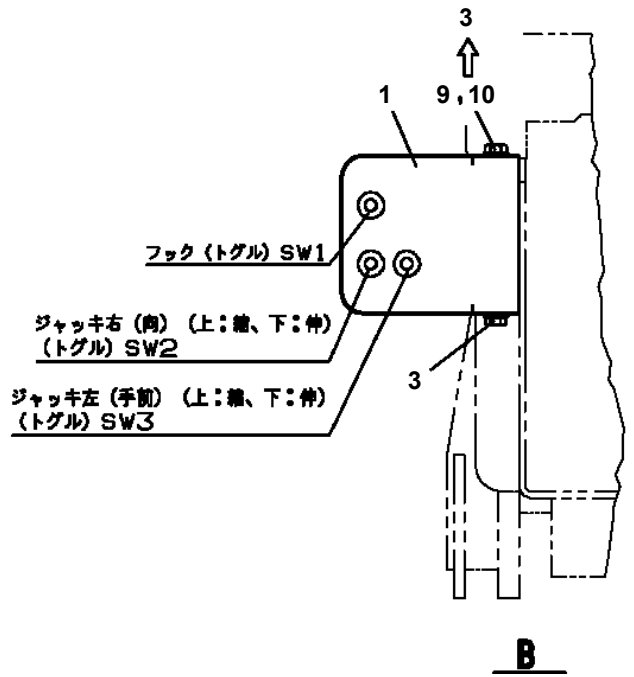
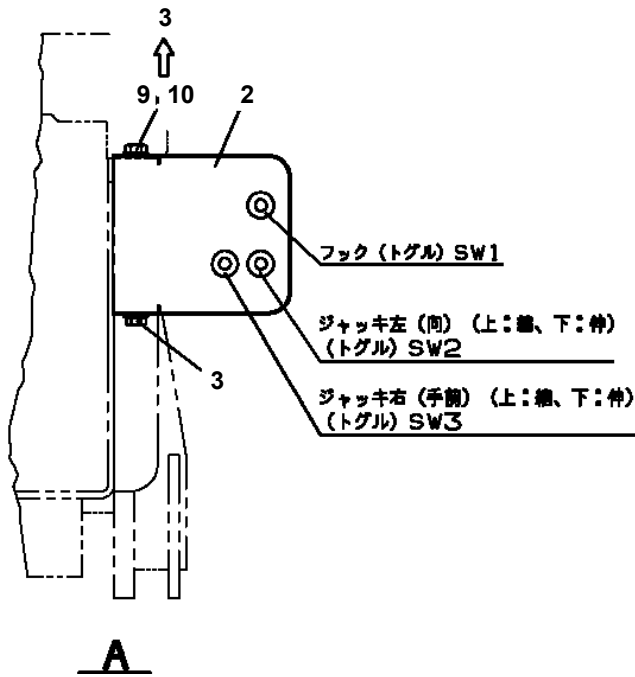
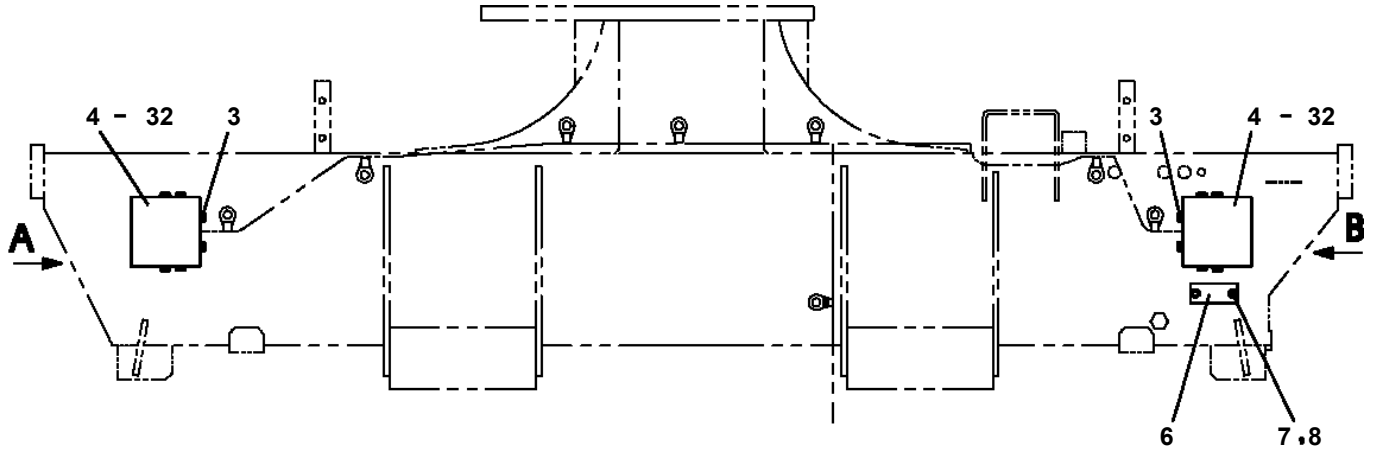
TM-ZE500 41050501196A FRAME/HOOK-IN, MANUAL VALVE

Pos No.	Parts No	Parts Name	Qty	Unit	Technical Data	Serial No (Start)	Serial No (End)	Remark
1	31360741200	HARNESS	1					
2	31360202500	SUPPORT	2					
3	31501491100	LAMP ASSY	2					
4	90186206010	BOLT,FLANGE	8		M6X10			
5	31501491200	COVER	2		L=500			
6	82100002007	CLAMP	2		WRC10			
7	91850310305	CLAMP	4					
8	91810130240	FASTENER	6					
9	31350700300	HARNESS (L=50)	2					
21	82199444326	LAMP (YELLOW) <24V 12W)	2				EW9980	
	82199444329	LAMP (YELLOW)	2		24V 12W	EW9981		
22	31501491110	SUPPORT	2					
36	82166136411	BULB,LAMP	2		24V/12W		EW9980	
	82166600010	BULB,LAMP	2		24V/12W	EW9981		

TM-ZE500 41050501196A FRAME/HOOK-IN,MANUAL VALVE

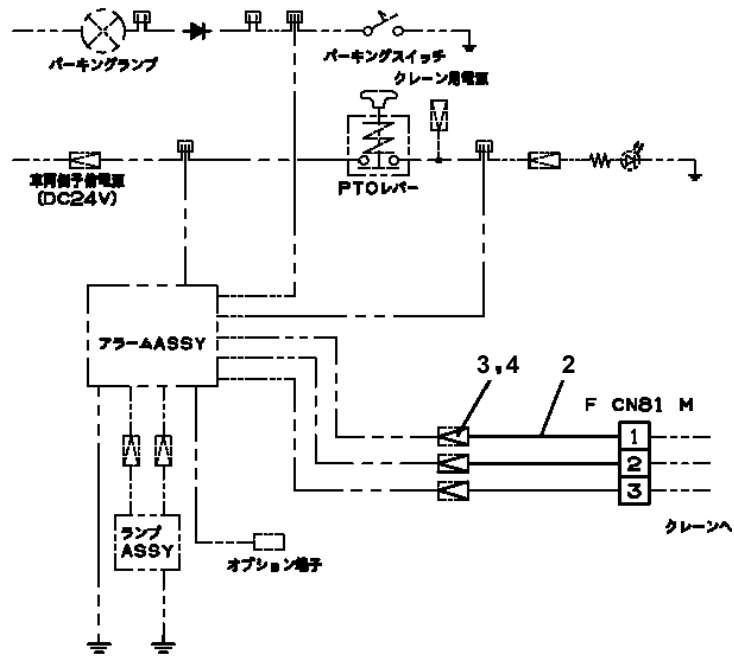
Pos No.	Parts No	Parts Name	Qty	Unit	Technical Data	Serial No (Start)	Serial No (End)	Remarks	Page
1	82165700010	LAMP	1				PA2914		0002
	82165700020	LAMP (ASSY ONLY)	1			PA2915			
2	31501292101	SUPPORT	1						
3	37000588420	PLATE	1						
4	90186210020	BOLT,FLANGE	2		M10X20				
5	31473744700	HARNESS (L=1000)	1						0001
6	91850310305	CLAMP	5						
7	91810130240	FASTENER	8						
8	90288110020	NUT	2		M10				
9	90813108016	BOLT,WING	2		M8X16				
10	90302040801	WASHER,SPRING	2		8				
11	42507690100	SUPPORT	1						
12	90303070801	WASHER,PLAIN	2		8				
13	31503851100	HARNESS	1						0001
14	90101212022	BOLT	1		M12X22				
15	90303071201	WASHER,PLAIN	1		12				
16	90201201200	NUT	1		M12				

TM-ZE500 41050501196A FRAME/HOOK-IN, MANUAL VALVE
 PE5020744-01 ELEC.ASSY (FRAME SWITCH)

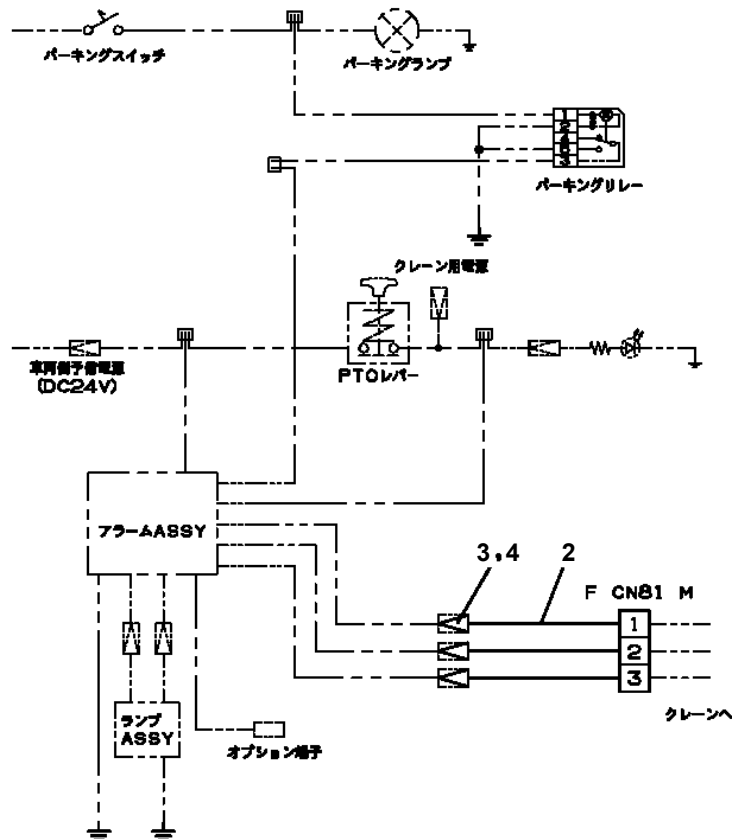


TM-ZE500 41050501196A FRAME/HOOK-IN, MANUAL VALVE PE5020755-01 ELEC.ASSY (CARRIER)

Pタイプ：パーキングランプの下流にパーキングスイッチがある場合



Rタイプ：パーキングランプの上流にパーキングスイッチがある場合



TM-ZE500 41050501196A FRAME/HOOK-IN, MANUAL VALVE

Pos No.	Parts No	Parts Name	Qty	Unit	Technical Data	Serial No (Start)	Serial No (End)	Remarks
1	31732911100	HARNESS	1					
2	91810130250	FASTENER	22					
3	31476751010	CONNECTOR	1					
4	34354781710	RELAY (WITH BRACKET)	1					

**TM-ZE500 41050501196A FRAME/HOOK-IN,MANUAL VALVE
PE5020881-00 ELEC.ASSY (DEAD TURNS DETECTOR:ZE500 FOR COMBINED USE)**

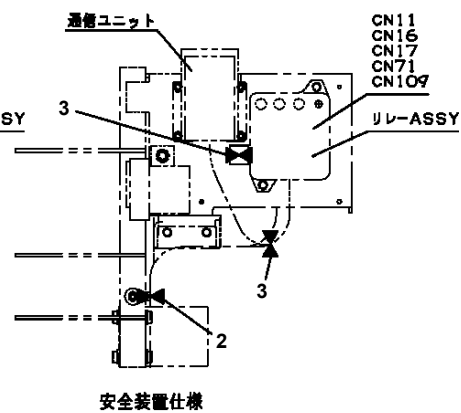
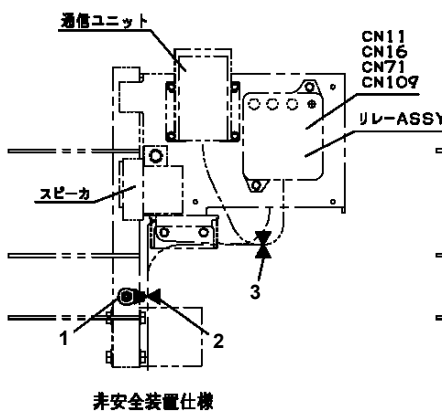
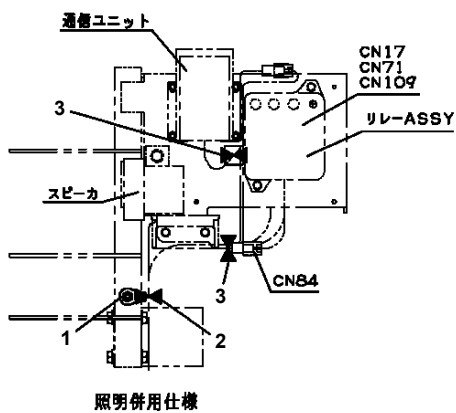
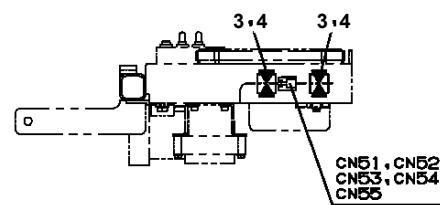
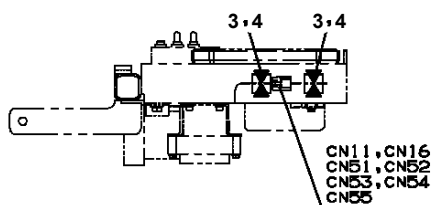
ハイセンASSY (ステマキケンシュツソウチ:ZE500シヨウメイヘイヨウ)
ELEC.ASSY (DEAD TURNS DETECTOR:ZE500
FOR COMBINED USE WITH ILLUMINATION)

指示番号 KEY NO.	部品名称 PART NAME	備考 REMARK
2	テ`イテクタ,テ`イソータ`リワイント` DETECTOR,DISORDERLY WIND	捨巻検出用
3	インジ`ケータASSY INDICATOR ASSY	捨巻検出器

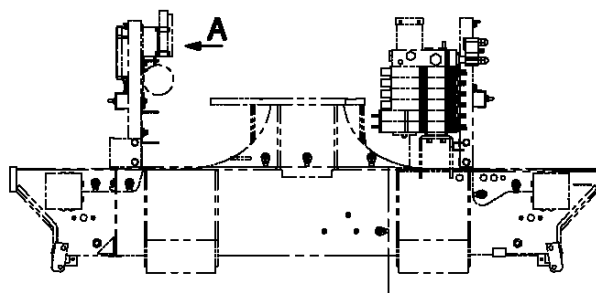
適用製造番号によっては取り付けがないものもあります。

MACHINES OF SOME SERIAL NO. ARE NOT EQUIPPED WITH THESE PARTS.

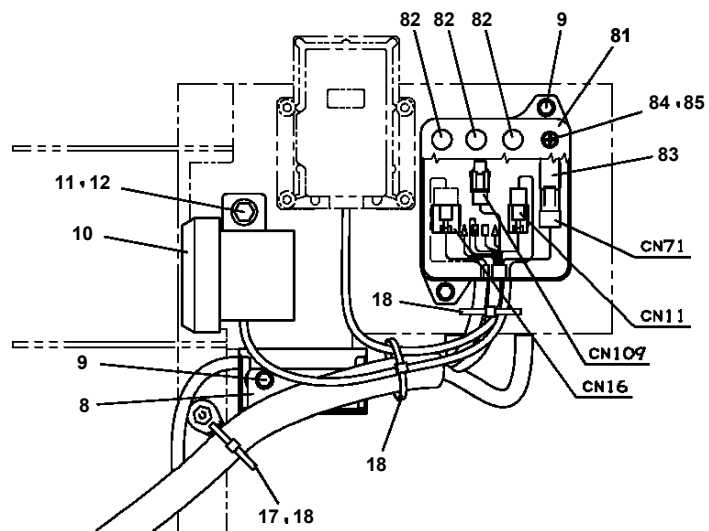
**TM-ZE500 41050501196A FRAME/HOOK-IN, MANUAL VALVE
PE5020886-00 ELEC.ASSY**



A

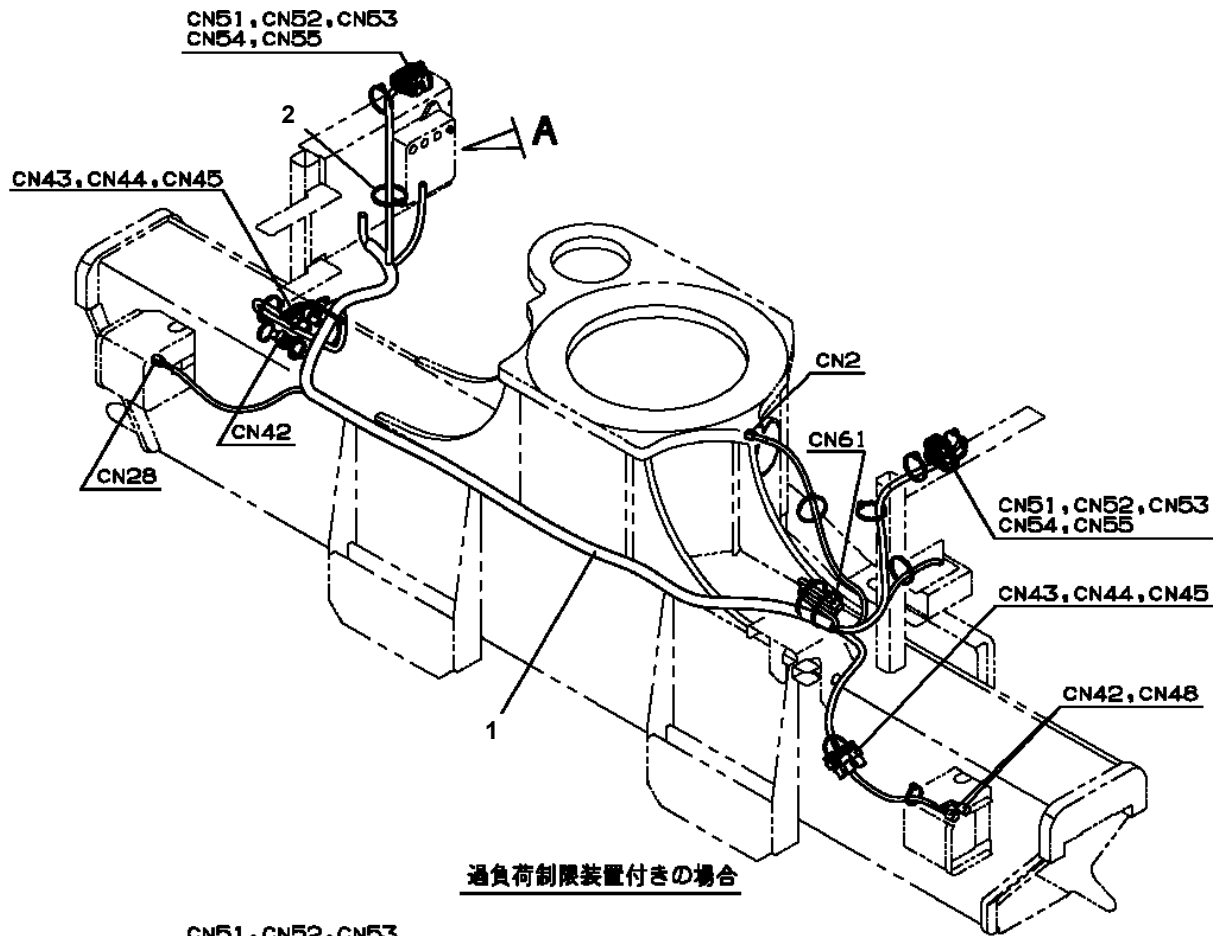


TM-ZE500 41050501196A FRAME/HOOK-IN, MANUAL VALVE
PE5020910-00 ELEC.ASSY (PANEL SWITCH)

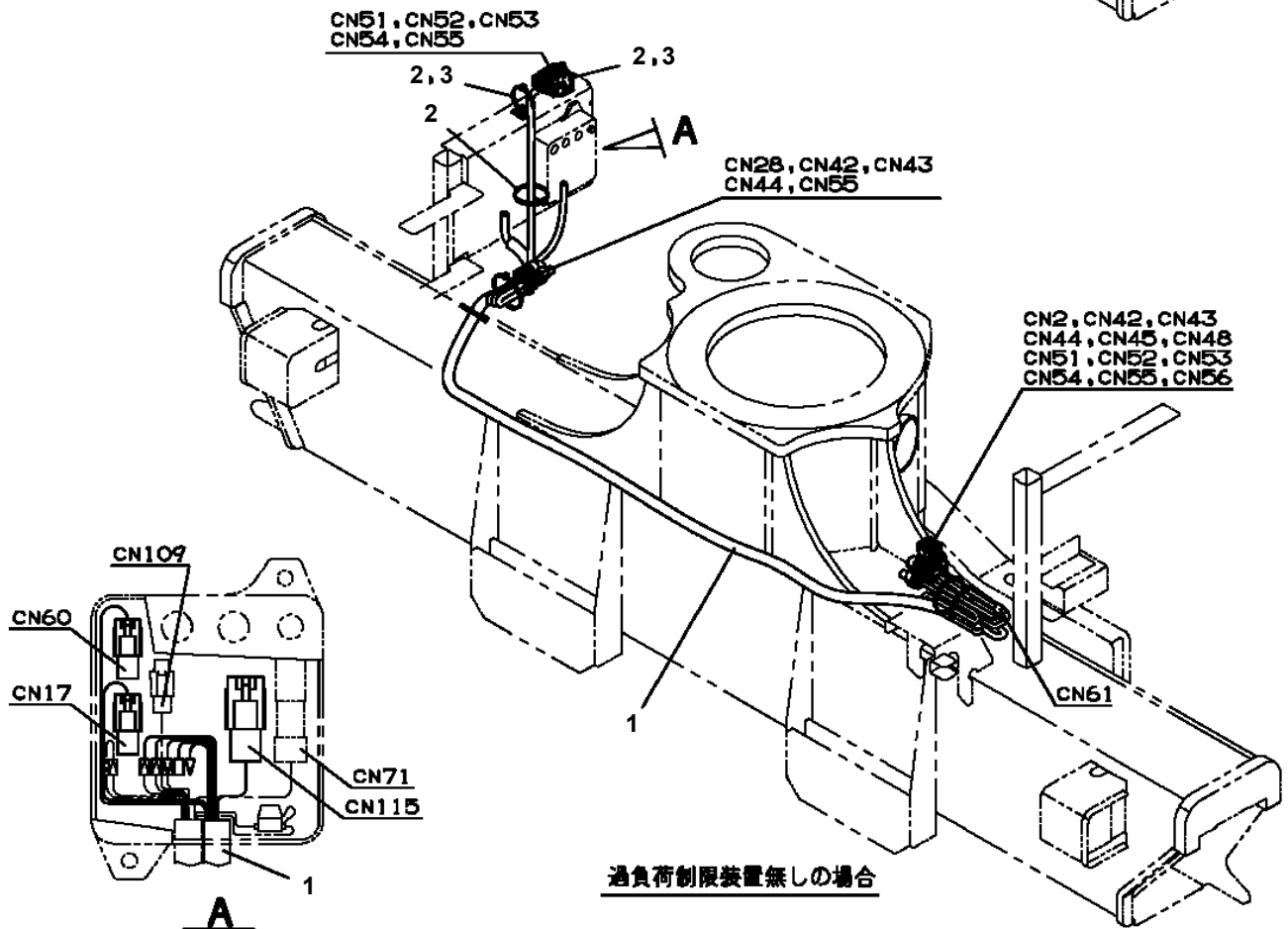


C

**TM-ZE500 41050501196A FRAME/HOOK-IN,MANUAL VALVE
PE5020963-00 ELEC.ASSY (FREAME)**



過負荷制限装置付きの場合

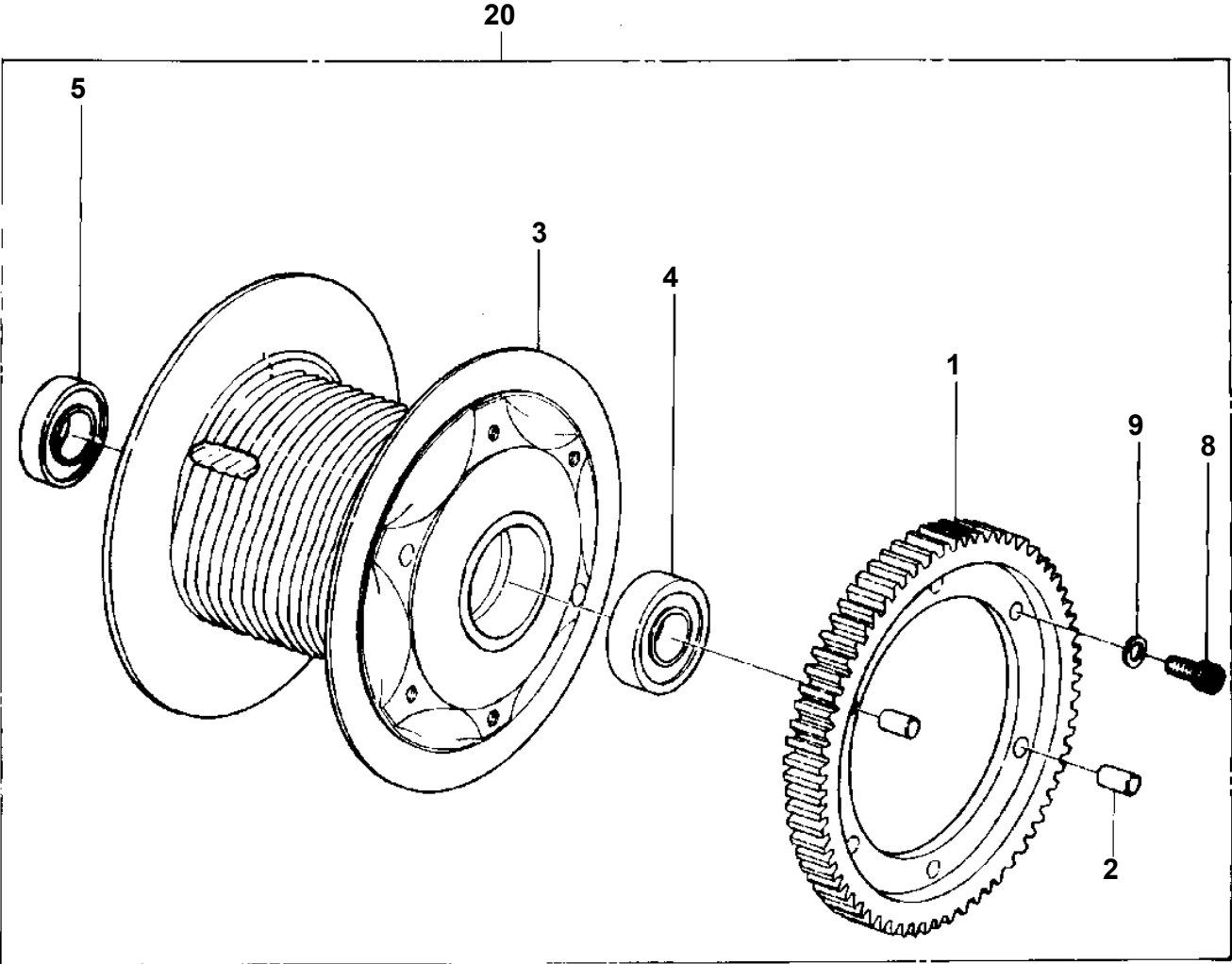


過負荷制限装置無しの場合

TM-ZE500 41050501196A FRAME/HOOK-IN, MANUAL VALVE

Pos No.	Parts No	Parts Name	Qty	Unit	Technical Data	Serial No (Start)	Serial No (End)	Remark
1	31505222100	ALARM ASSY (ASSY ONLY)	1					
2	31475352100	PLATE,NAME	1					
3	31501323200	HARNESS	1		L=6000			
4	31380174000	LAMP ASSY (ASSY ONLY)	1					
5	82100000191	TERMINAL	1					
6	82100000183	INSULATOR	1					
7	91810130240	FASTENER	10					
8	82115001002	CONNECTOR	6					
9	82100001400	TERMINAL	6					
10	31476362700	PLATE,CAUTION	1					
11	31380292600	SUPPORT	1					
12	80172305020	SCREW,MACHINE	2		M5X20			
13	90302040501	WASHER,SPRING	2		5			
14	90303070501	WASHER,PLAIN	2		5			
15	31477472300	HARNESS	3		L=1000			
16	82100001220	INSULATOR	6					
17	31504322200	RELAY ASSY	1					
18	31475982400	DIODE ASSY	1					
19	90928040101	SCREW,TAPPING	3		M4X10			
20	82115001005	CONNECTOR	6					

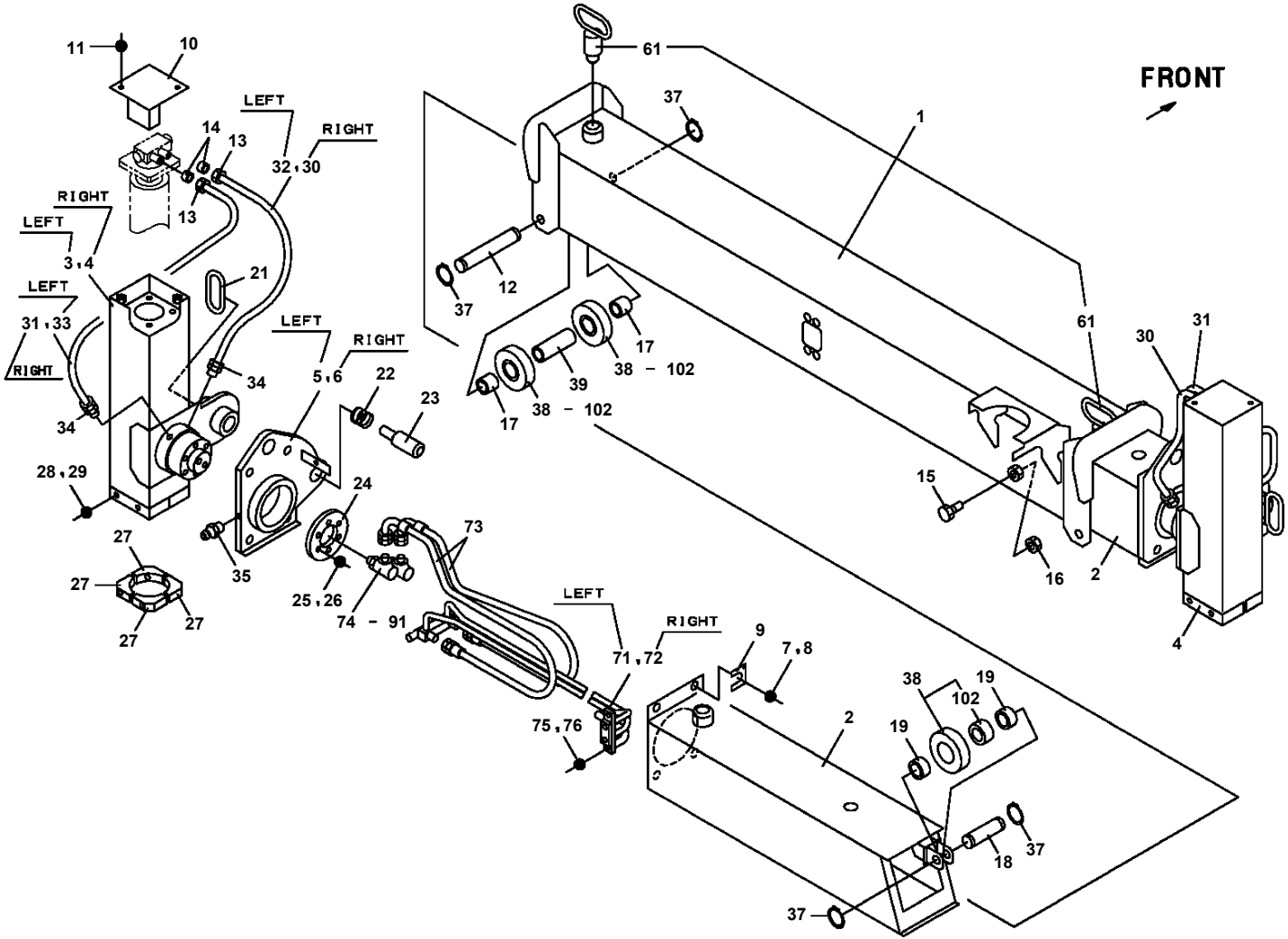
TM-ZE500 41050501196A FRAME/HOOK-IN,MANUAL VALVE
PF1020007-00 DRUM,WINCH (HARTYS)



**TM-ZE500 41050501196A FRAME/HOOK-IN,MANUAL VALVE
PF1050464-00 HOOK (1-PART LINE)**

1	フック HOOK
2	プレートASSY,ネーム PLATE ASSY,NAME
3	ディテクタ,オーバ`ワインド` DETECTOR,OVER WIND

**TM-ZE500 41050501196A FRAME/HOOK-IN,MANUAL VALVE
PF5100042-04 FRAME ASSY (REAR)**



**TM-ZE500 41050501196A FRAME/HOOK-IN,MANUAL VALVE
PF5100350-00 FRAME ASSY (FOR KANDENKO/CAB BACK OUTRIGGER)**

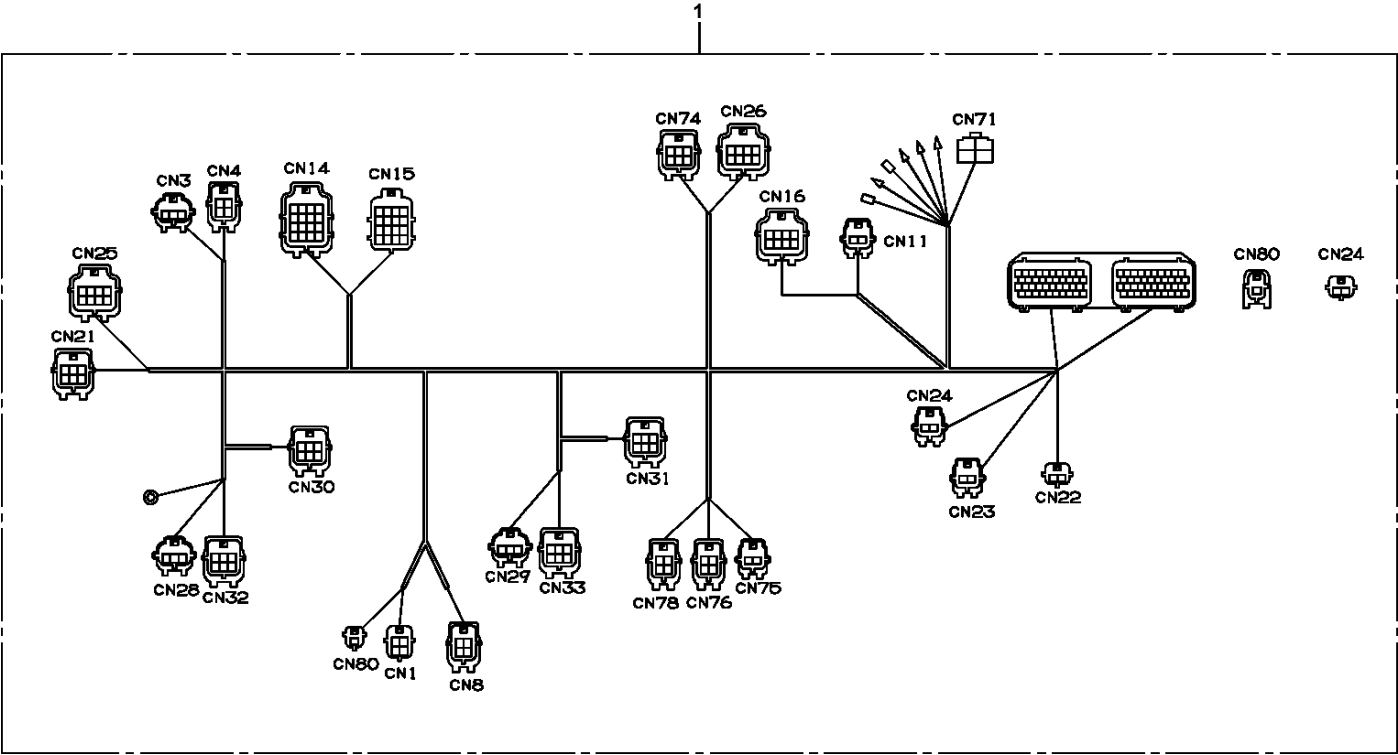
フレームASSY (カンデ^ンコウムケ/キャブ^ハックアウトリガ^カ)
FRAME ASSY (FOR KANDENKO/CAB BACK OUTRIGGER)

指示番号 KEY NO.	部品名称 PART NAME	備考 REMARK
1	フレームASSY FRAME ASSY	
2	タンクASSY TANK ASSY	
3	カバーASSY COVER ASSY	
4	ハイカンASSY PIPING ASSY	上部
5	オペ ^レ タASSY, ソウサハ ^ル フ OPE. ASSY, CONT. VALVE	
6	ハイセンASSY ELEC. ASSY	トラックキャブ ^ハ からの配線
7	ハイセンASSY ELEC. ASSY	本体配線
9	アウトリガ ^カ ASSY OUTRIGGER ASSY	L=592
21	ネームプ ^レ ートASSY NAME PLATE ASSY	(注意, 操作銘板)
24	プ ^レ ートASSY, ネーム PLATE ASSY, NAME	(オイル銘板)

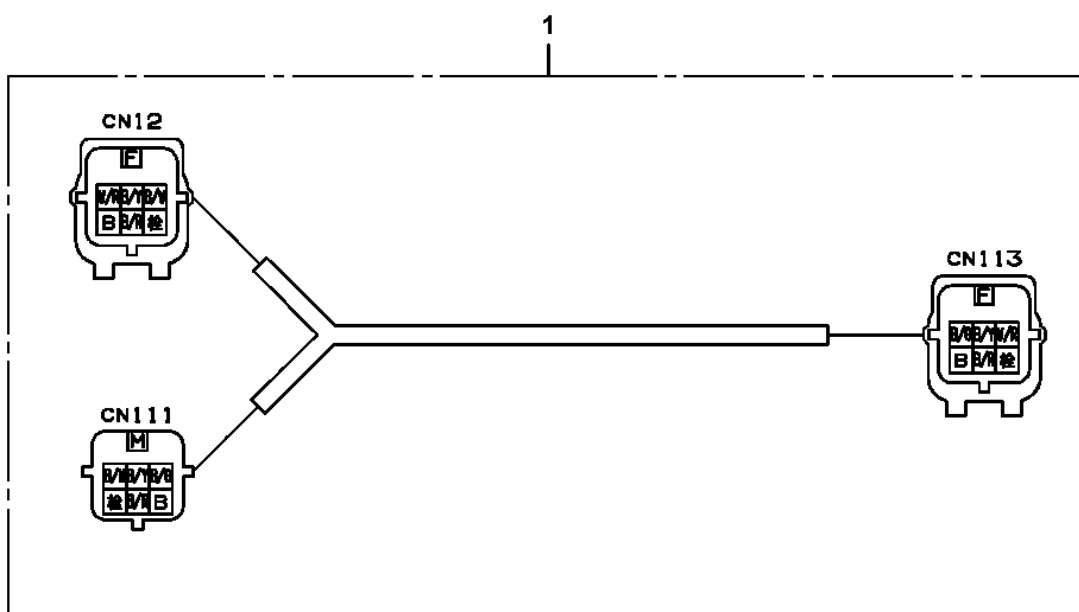
適用製造番号によっては取り付けがないものもあります。

MACHINES OF SOME SERIAL NO. ARE NOT EQUIPPED WITH THESE PARTS.

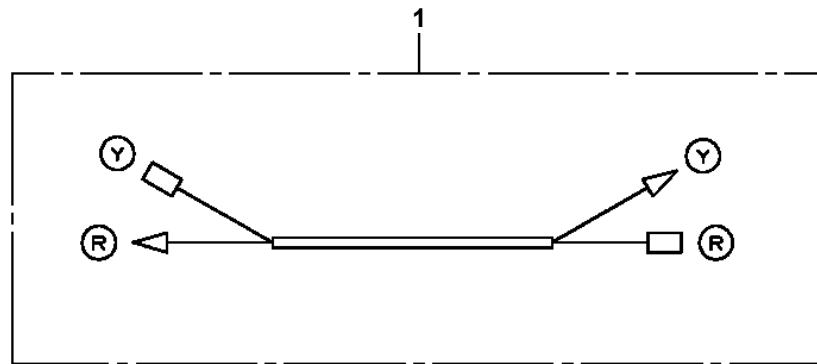
TM-ZE500 41050501196A FRAME/HOOK-IN,MANUAL VALVE
PH5030455-00 HARNESS



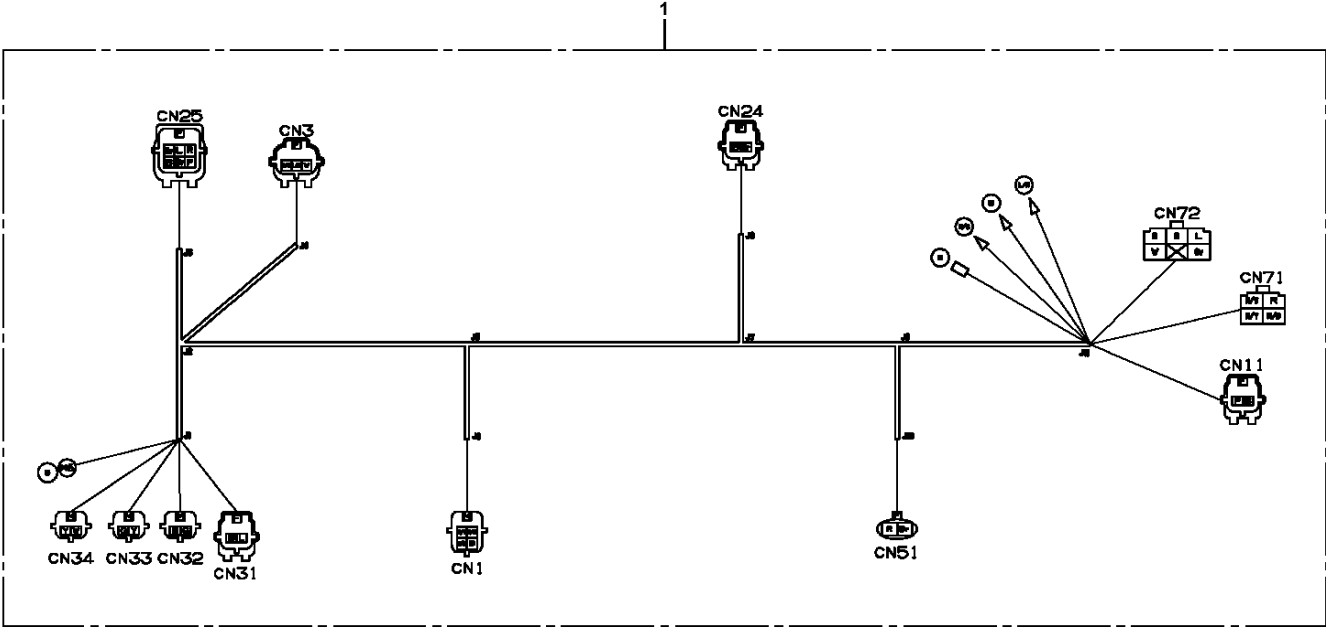
TM-ZE500 41050501196A FRAME/HOOK-IN,MANUAL VALVE
PH5030653-00 HARNESS



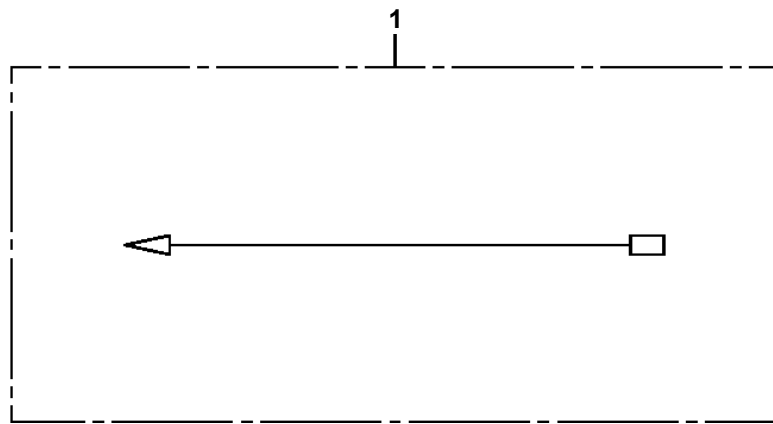
TM-ZE500 41050501196A FRAME/HOOK-IN, MANUAL VALVE
PH5030710-00 HARNESS



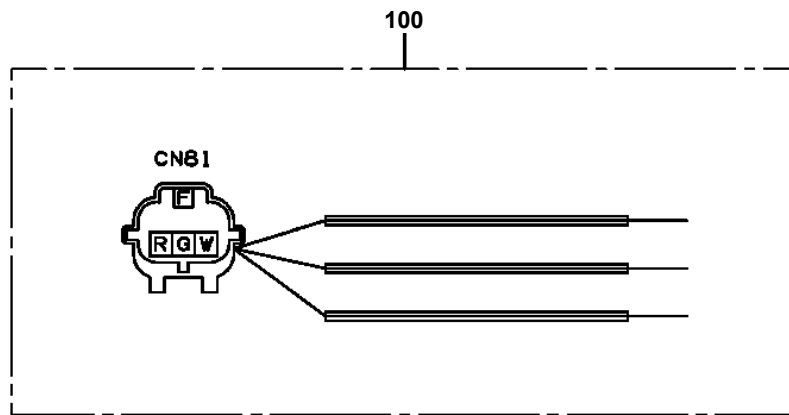
TM-ZE500 41050501196A FRAME/HOOK-IN,MANUAL VALVE
PH5031027-00 HARNESS



**TM-ZE500 41050501196A FRAME/HOOK-IN,MANUAL VALVE
PH5032122-00 HARNESS (L=1000)**

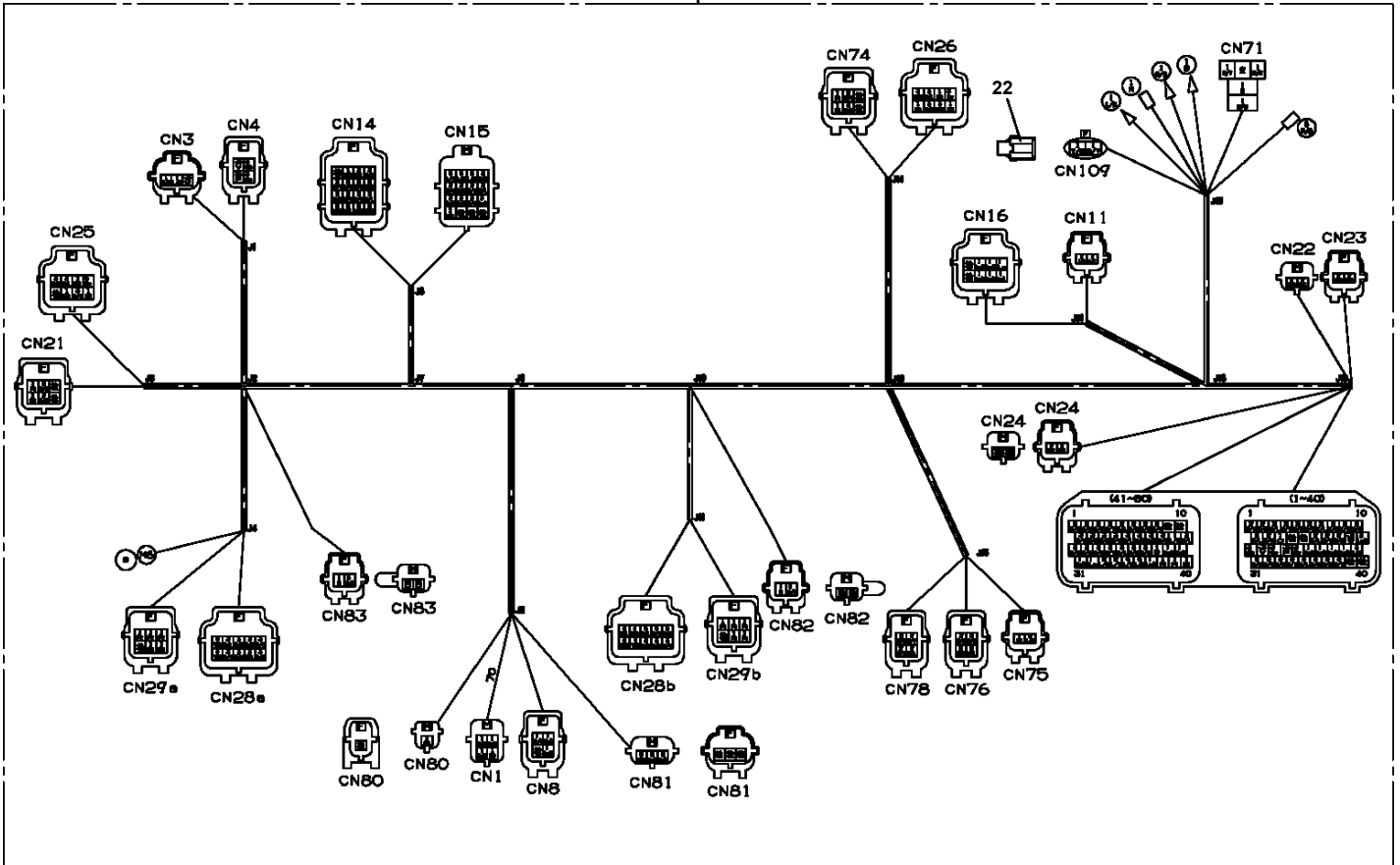


TM-ZE500 41050501196A FRAME/HOOK-IN, MANUAL VALVE
PH5032416-00 HARNESS

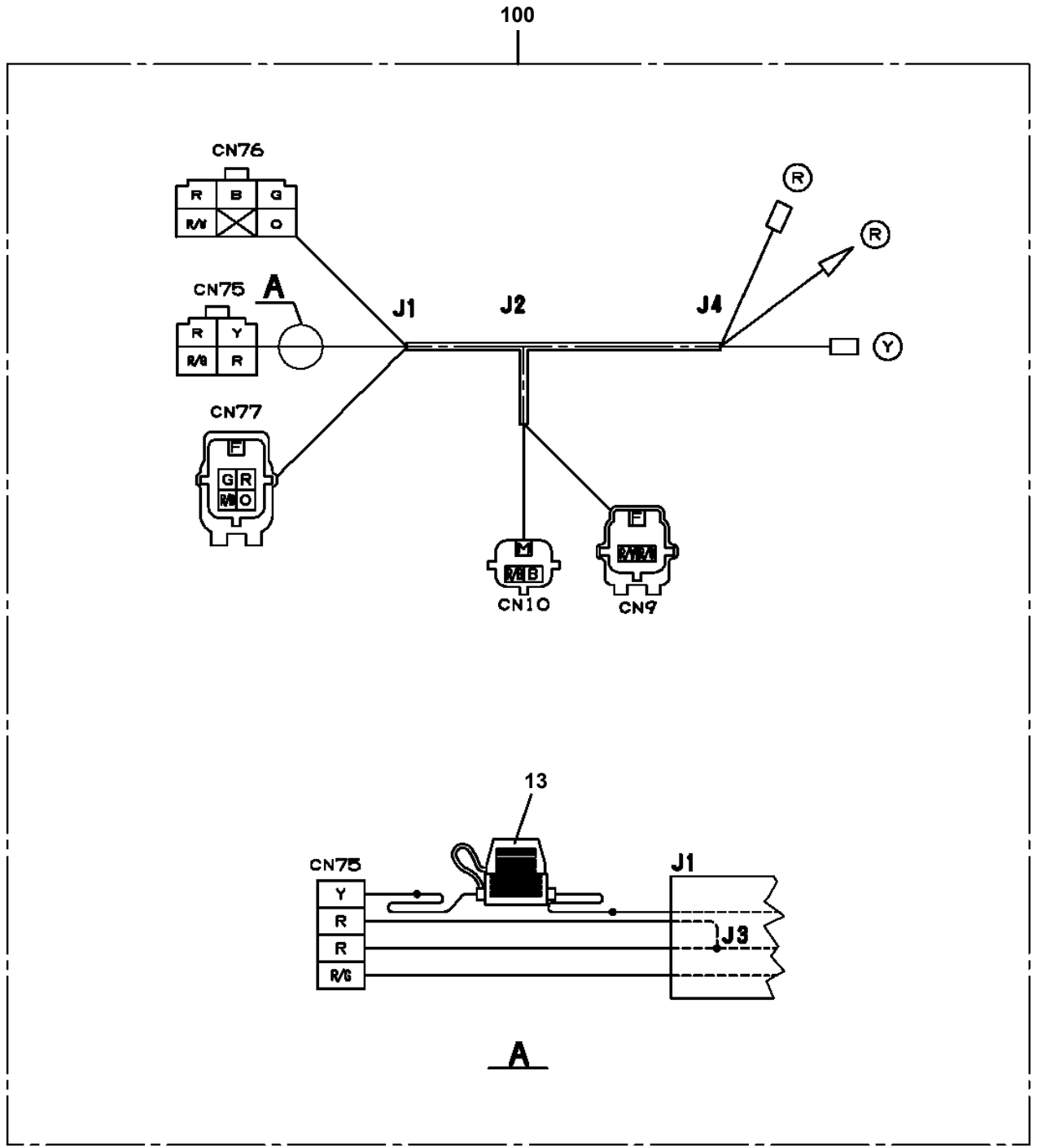


TM-ZE500 41050501196A FRAME/HOOK-IN, MANUAL VALVE
PH5032681-00 HARNESS

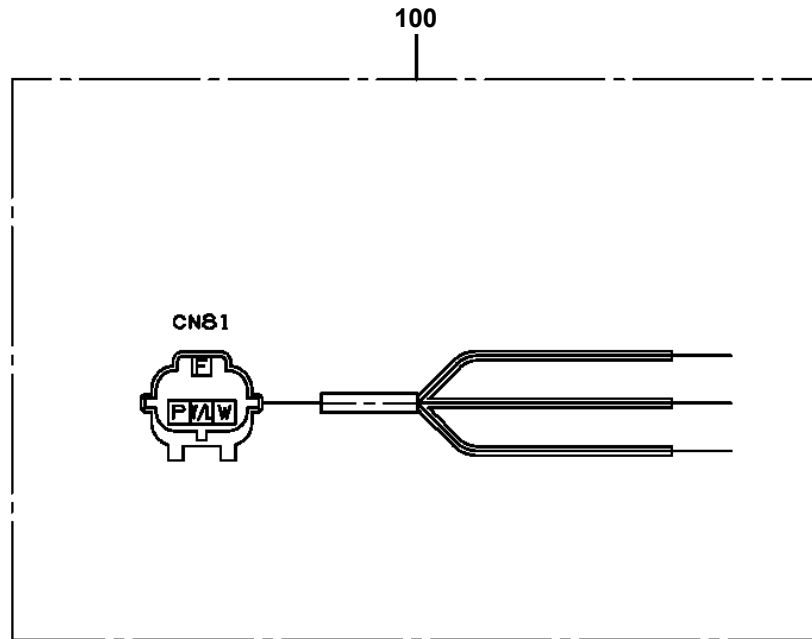
100



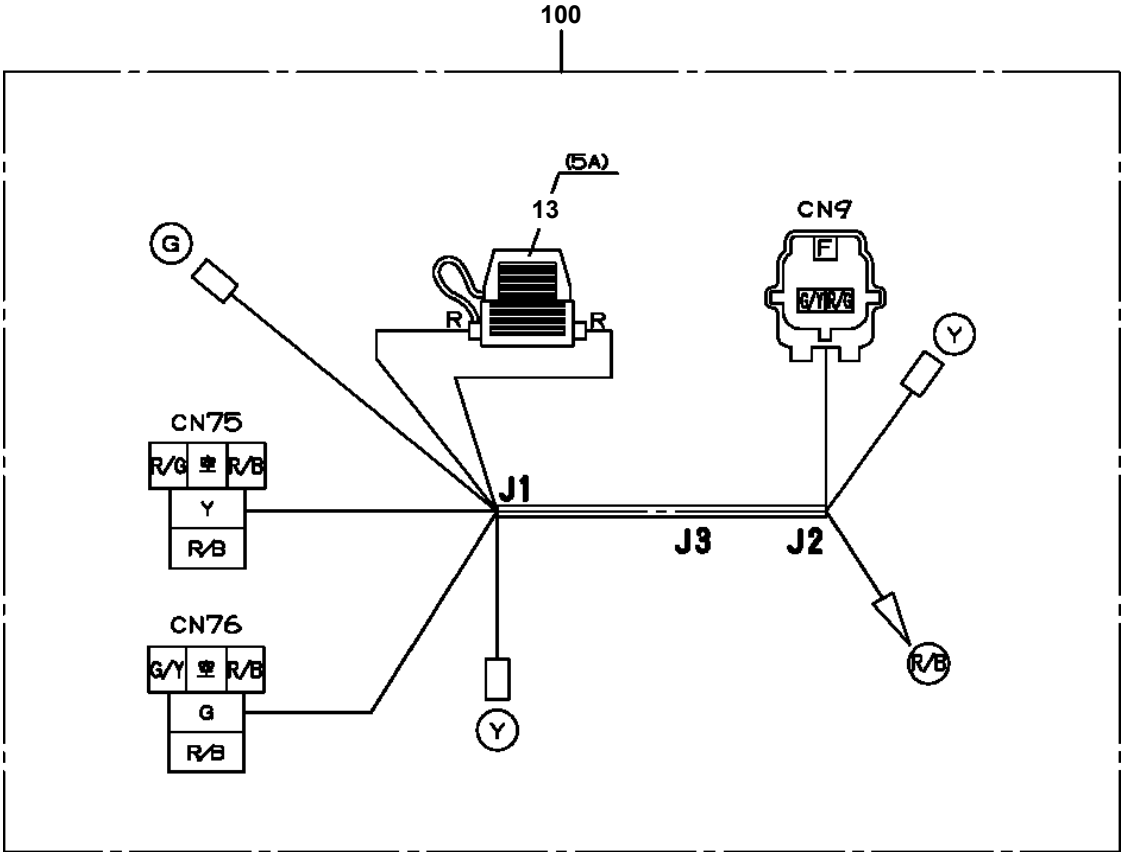
TM-ZE500 41050501196A FRAME/HOOK-IN, MANUAL VALVE
 PH5033058-00 HARNESS



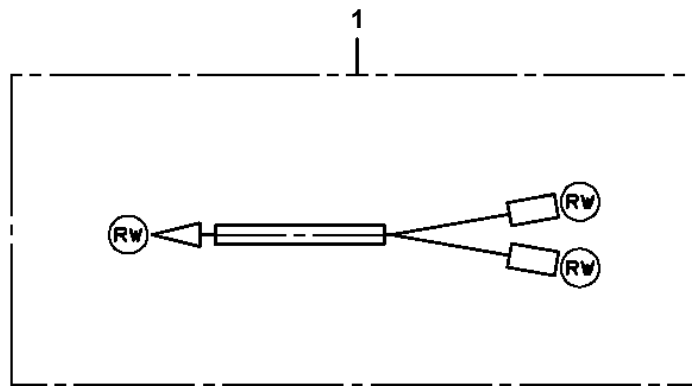
**TM-ZE500 41050501196A FRAME/HOOK-IN, MANUAL VALVE
PH5033169-00 HARNESS**



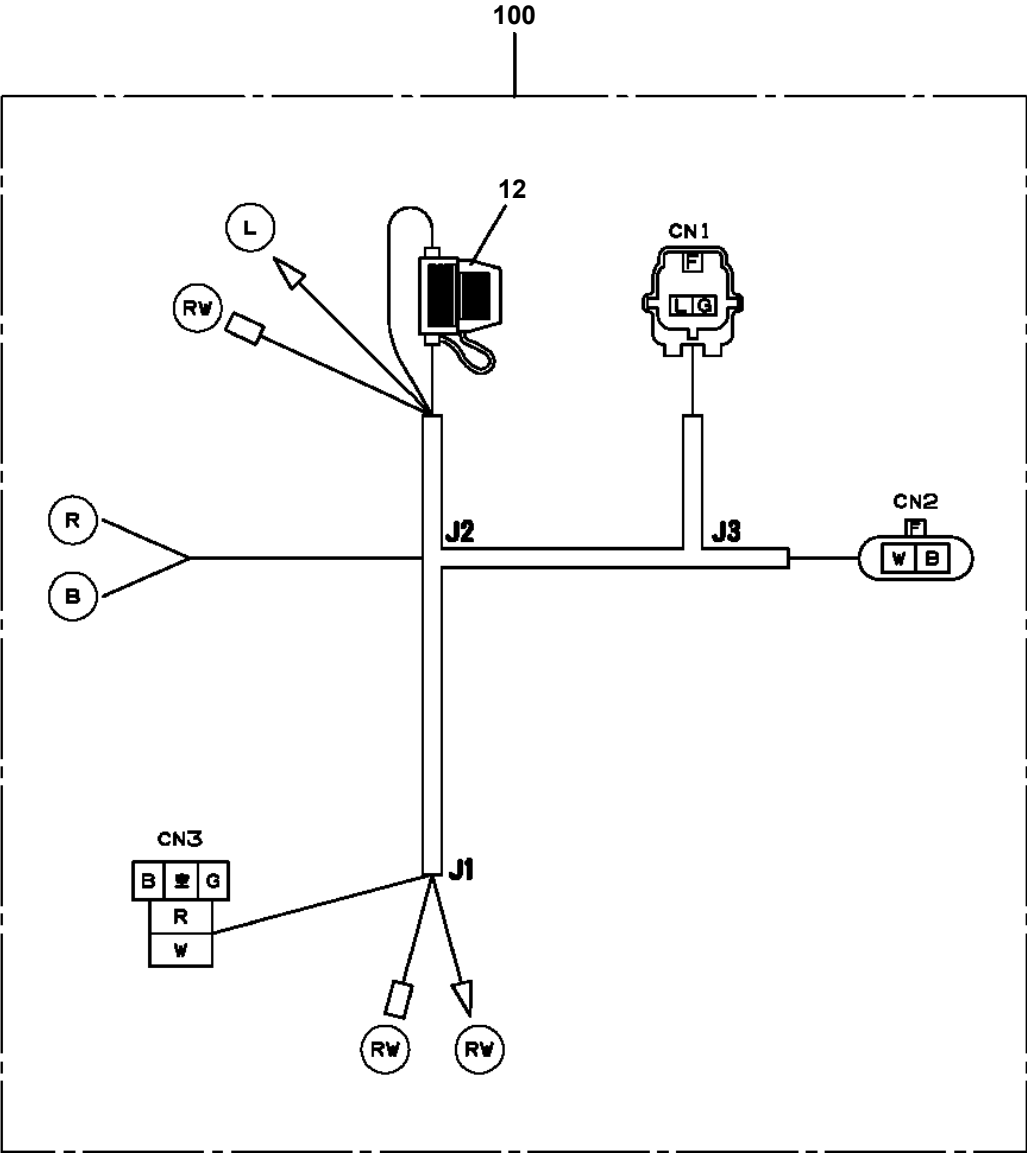
TM-ZE500 41050501196A FRAME/HOOK-IN, MANUAL VALVE
PH5033269-00 HARNESS



TM-ZE500 41050501196A FRAME/HOOK-IN, MANUAL VALVE
PH5033590-00 HARNESS

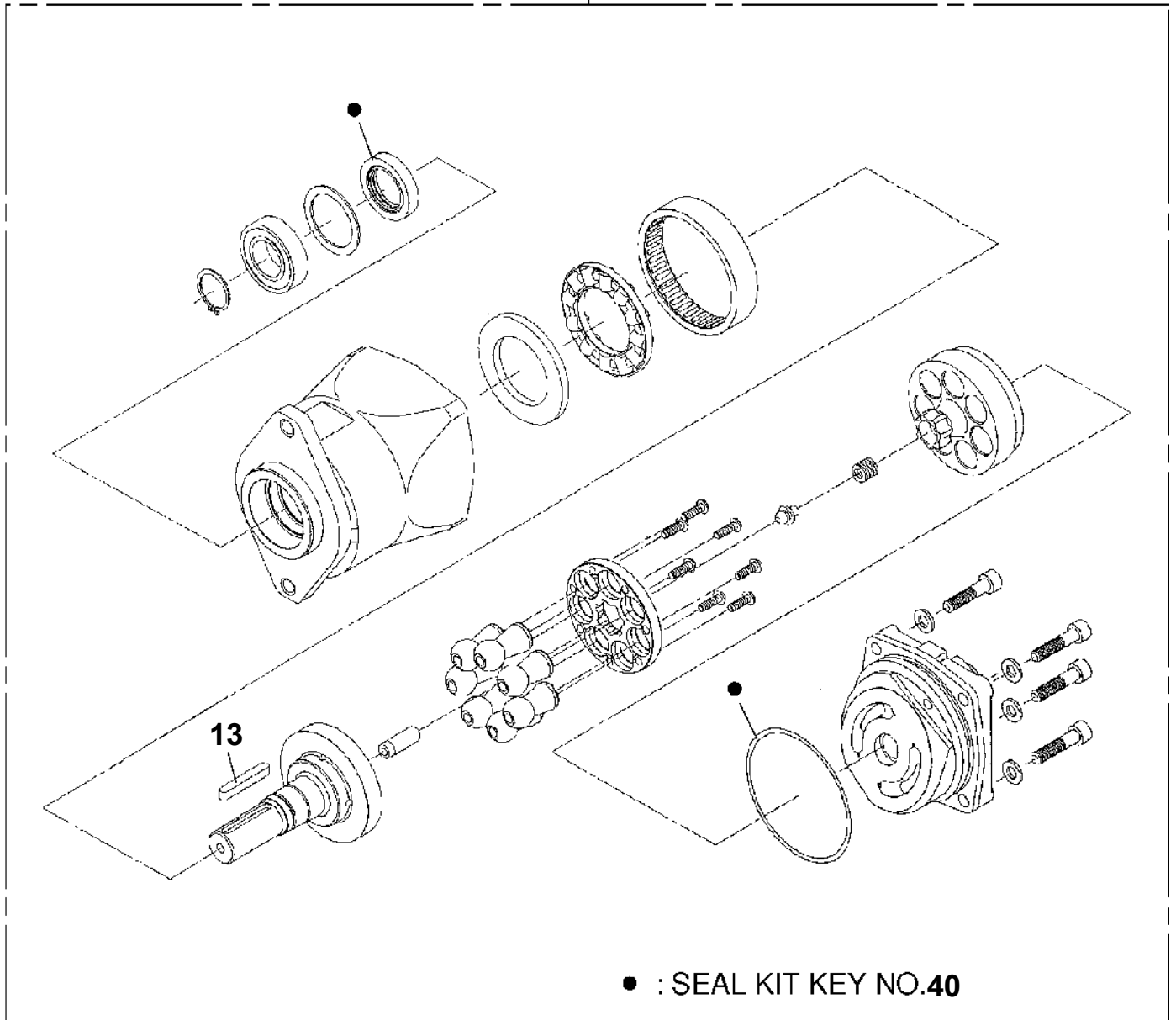


TM-ZE500 41050501196A FRAME/HOOK-IN, MANUAL VALVE
PH5034186-00 HARNESS

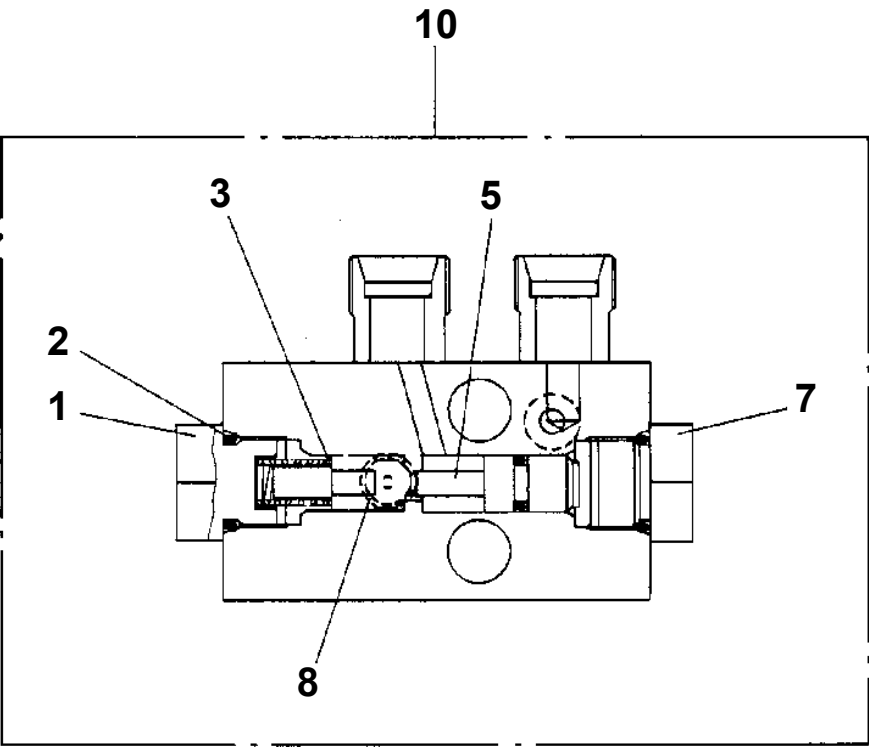


**TM-ZE500 41050501196A FRAME/HOOK-IN, MANUAL VALVE
PI1010152-00 MOTOR, HYDRAULIC (WINCH)**

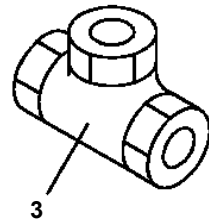
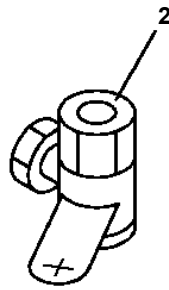
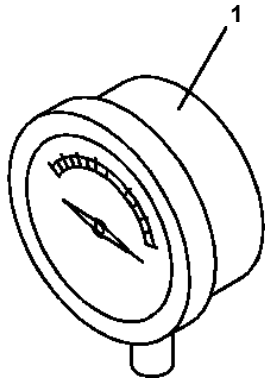
50



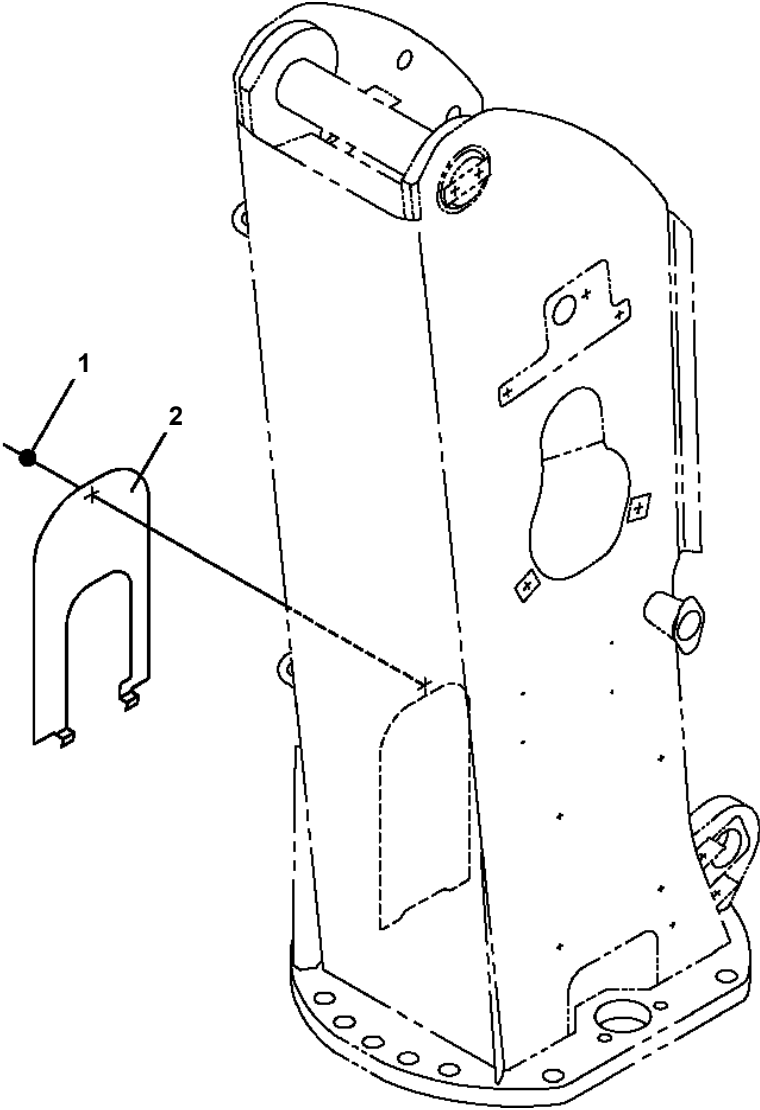
TM-ZE500 41050501196A FRAME/HOOK-IN, MANUAL VALVE
PI1280162-00 VALVE, PILOT CHECK



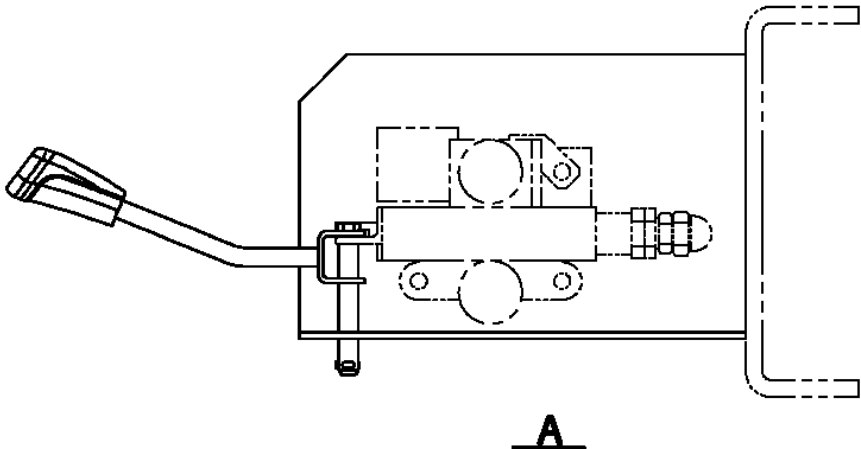
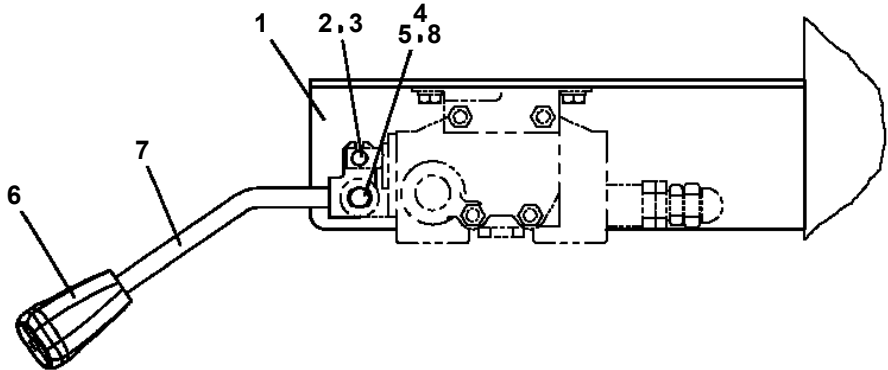
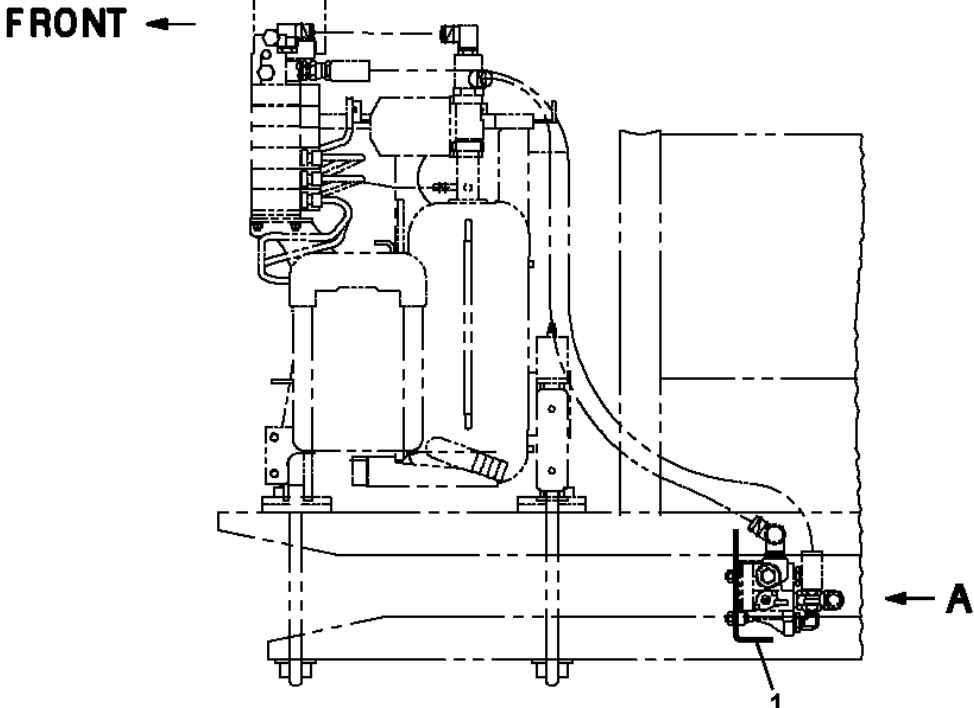
**TM-ZE500 41050501196A FRAME/HOOK-IN, MANUAL VALVE
PI1440037-00 METER, LOAD (BOTH SIDE)**



TM-ZE500 41050501196A FRAME/HOOK-IN,MANUAL VALVE
PK1330374-00 COVER (POST)



TM-ZE500 41050501196A FRAME/HOOK-IN,MANUAL VALVE
PL1011155-00 OPE.ASSY,CONT.VALVE



TM-ZE500 41050501196A FRAME/HOOK-IN,MANUAL VALVE
PL5020030-00 LAMP ASSY (60W POST WORKING/HE.HRE)

指示番号 KEY NO.	ランプ ASSY (60Wホ* ストサキ* ヨウトウ/HE.HREヨウ) LAMP ASSY (60W POST WORKING/HE.HRE)
1	ハイセンASSY (フレーム*) ELEC.ASSY (FRAME)
2	ハイセンASSY (ホ* スト*) ELEC.ASSY (POST)
3	ハイセンASSY (シ* ヨウ*) ELEC.ASSY (UPPER)

TM-ZE500 41050501196A FRAME/HOOK-IN,MANUAL VALVE
PL5020105-00 LAMP ASSY (LED POST WORK LAMP/HE,HRE)

ランプ ASSY (LEDホ* ストサキ* ヨウトウ/HE,HRE)
LAMP ASSY (LED POST WORK LAMP/HE,HRE)

【組立名称一覧】より選択してください。
SEE THE CORRESPONDING "ASSEMBLY NAME" LIST.

**TM-ZE500 41050501196A FRAME/HOOK-IN,MANUAL VALVE
PL5020166-00 LAMP ASSY (45W BOOM TOP WORK LAMP)**

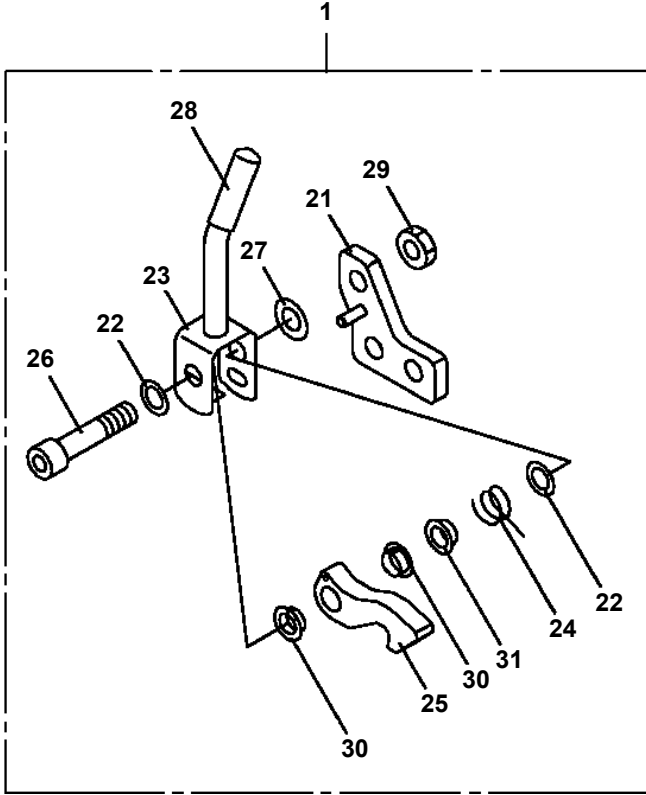
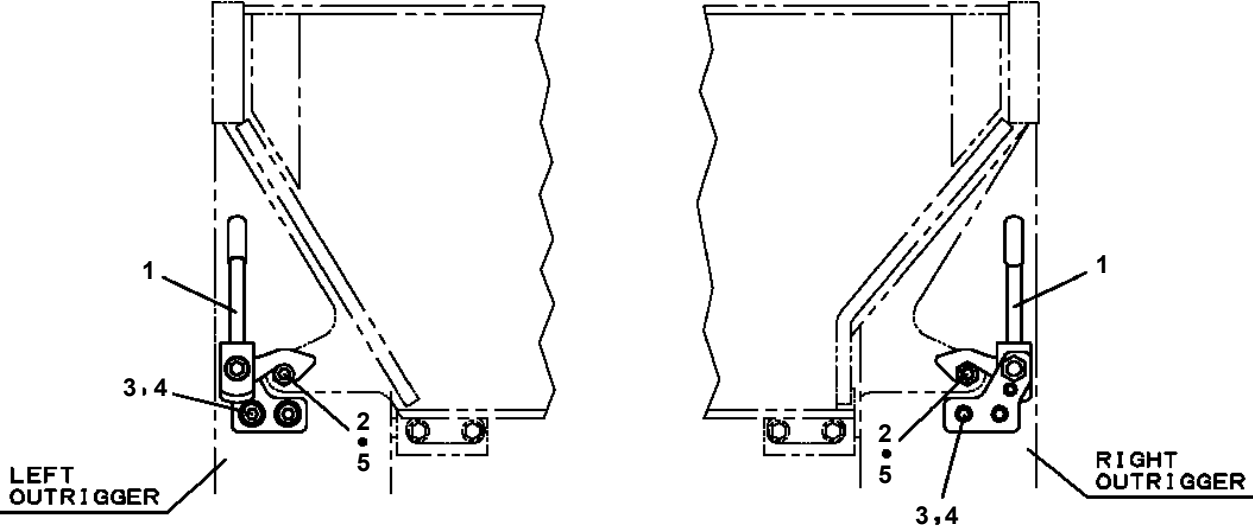
ランプ ASSY (45Wフレームセタンサキ ヨウトウ)
LAMP ASSY (45W BOOM TOP WORK LAMP)

指示番号 KEY NO.	部品名称 PART NAME	備考 REMARK
1	ハイセンASSY ELEC.ASSY	フレーム部
2	ハイセンASSY ELEC.ASSY	ホースト部
3	ハイセンASSY ELEC.ASSY	フレーム部

適用製造番号によっては取り付けがないものもあります。

MACHINES OF SOME SERIAL NO. ARE NOT EQUIPPED WITH THESE PARTS.

**TM-ZE500 41050501196A FRAME/HOOK-IN,MANUAL VALVE
PL5270003-02 LOCK ASSY (OUTRIGGER)**



**TM-ZE500 41050501196A FRAME/HOOK-IN,MANUAL VALVE
PL5270028-00 LOCK ASSY (JACK INTERLOCK/H,HR,PH,PHR)**

ロックASSY (ジャッキインターロック/H,HR,PH,PHRヨウ)
LOCK ASSY (JACK INTERLOCK/H,HR,PH,PHR)

【組立名称一覧】より選択してください。

SEE THE CORRESPONDING "ASSEMBLY NAME" LIST.

CLICK HERE TO **DOWNLOAD** THE COMPLETE MANUAL

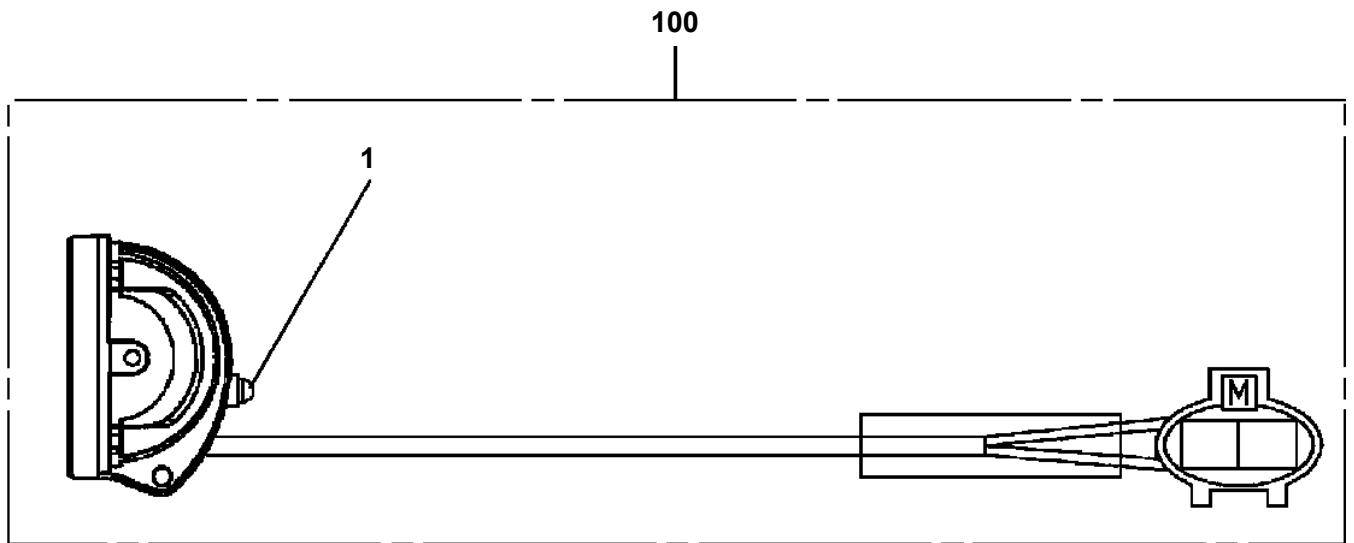
- Thank you very much for reading the preview of the manual.
- You can download the complete manual from: www.heydownloads.com by clicking the link below



- Please note: If there is no response to CLICKING the link, please download this PDF first and then click on it.

CLICK HERE TO **DOWNLOAD** THE COMPLETE MANUAL

TM-ZE500 41050501196A FRAME/HOOK-IN, MANUAL VALVE
PL5330009-00 LAMP



TM-ZE500 41050501196A FRAME/HOOK-IN,MANUAL VALVE

Pos No.	Parts No	Parts Name	Qty	Unit	Technical Data	Serial No (Start)	Serial No (End)	Remarks	Pa
1	31653600500	PLUG (8POLES,MALE)	1						

TM-ZE500 41050501196A FRAME/HOOK-IN, MANUAL VALVE

Pos No.	Parts No	Parts Name	Qty	Unit	Technical Data	Serial No (Start)	Serial No (End)	Remark
1	31476362102	ALARM ASSY (ASSY ONLY)	1					
2	31501323100	PLATE,NAME	1					
3	31476362200	HARNESS (WHITE)	1		L=6000			
4	31380174000	LAMP ASSY (ASSY ONLY)	1					
5	82100000191	TERMINAL	1					
6	82100000183	INSULATOR	1					
7	91810130240	FASTENER	10					
8	82115001002	CONNECTOR	6					
9	82100001400	TERMINAL	5					
10	31476362700	PLATE,CAUTION	1					
11	31380292600	SUPPORT	1					
12	80172305020	SCREW,MACHINE	2		M5X20			
13	90302040501	WASHER,SPRING	2		5			
14	90303070501	WASHER,PLAIN	2		5			
15	31477472100	HARNESS (RED)	2		L=1000			
16	82100001220	INSULATOR	5					
17	31476362300	RELAY ASSY	1					
18	31475982400	DIODE ASSY	1					
21	90928040101	SCREW,TAPPING	3		M4X10			
22	82115001005	CONNECTOR	6					
31	31476362103	ALARM ASSY (ASSY ONLY)	1					

TM-ZE500 41050501196A FRAME/HOOK-IN, MANUAL VALVE

Pos No.	Parts No	Parts Name	Qty	Unit	Technical Data	Serial No (Start)	Serial No (End)	Re
1	31501551100	HARNESS	1					
2	31656012211	SWITCH ASSY (PLATING:NACC)	1					
3	82197600103	CAP (RED)	1					
4	31497310310	PLATE, CAUTION	1					
5	91810130250	FASTENER	10					

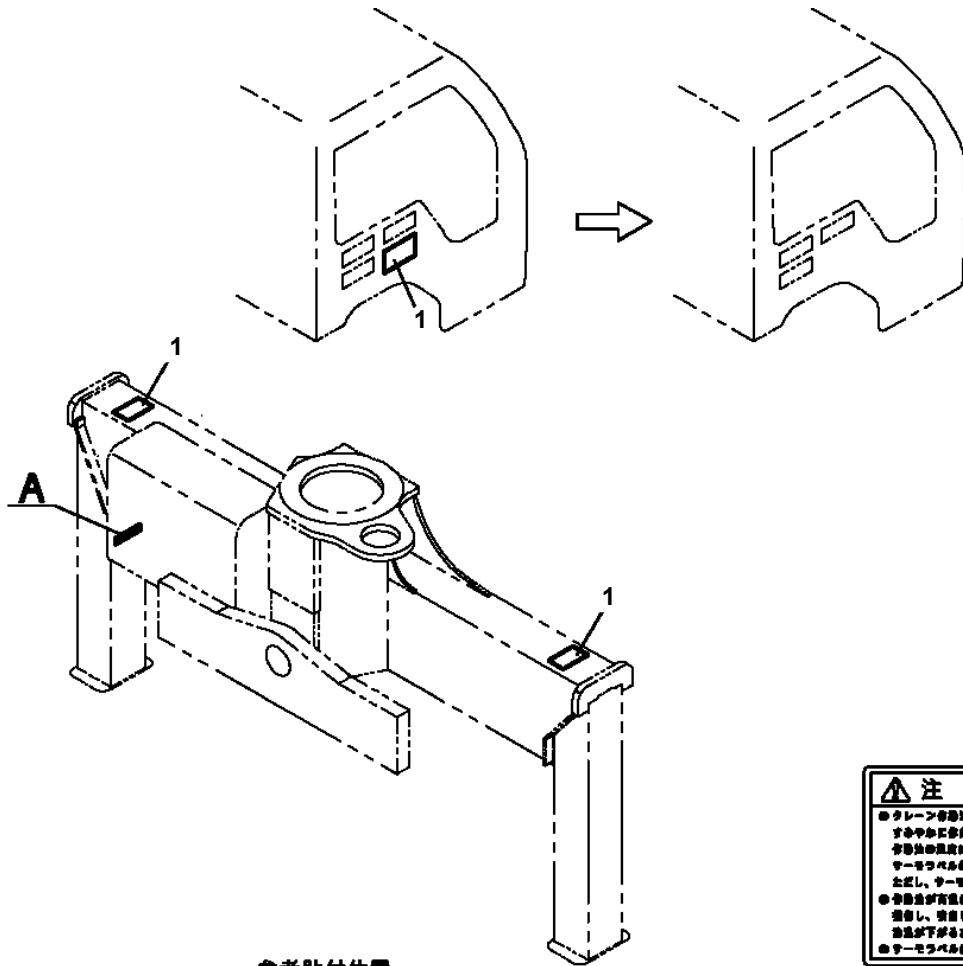
TM-ZE500 41050501196A FRAME/HOOK-IN, MANUAL VALVE

Pos No.	Parts No	Parts Name	Qty	Unit	Technical Data	Serial No (Start)	Serial No (End)	Remarks
5	82105411140	SWITCH, TOGGLE	2					
10	31656141320	SWITCH ASSY (PANASONIC)	1					

TM-ZE500 41050501196A FRAME/HOOK-IN,MANUAL VALVE

Pos No.	Parts No	Parts Name	Qty	Unit	Technical Data	Serial No (Start)	Serial N
5	82101429241	SWITCH,PUSH (GREEN)	1				
6	82105411140	SWITCH,TOGGLE	2				
10	31656013120	SWITCH ASSY (WITH HARNESS/PANASONIC)	1				

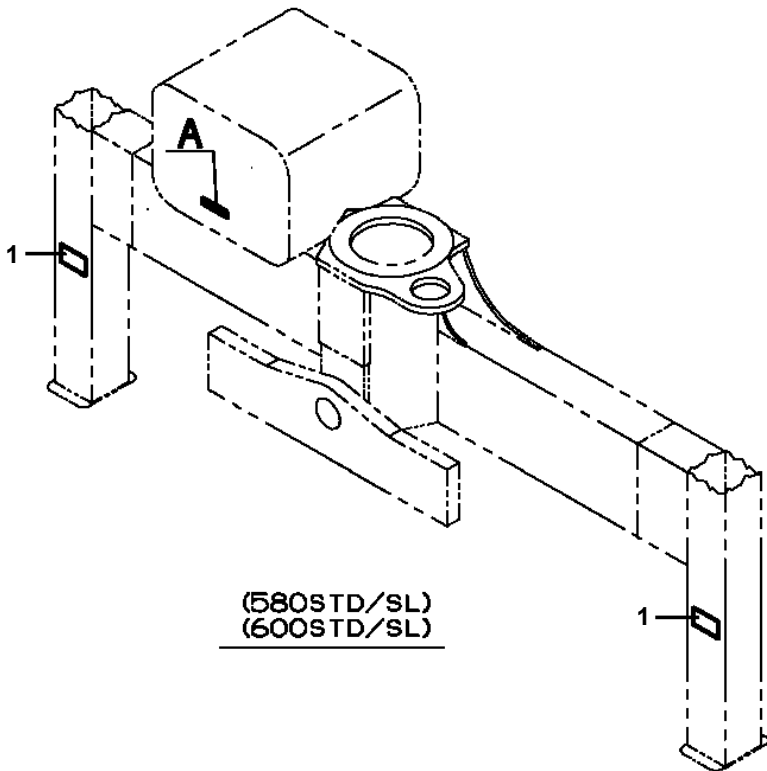
**TM-ZE500 41050501196A FRAME/HOOK-IN, MANUAL VALVE
PN5010187-02 NAME PLATE ASSY (OIL THERMO LEVEL)**



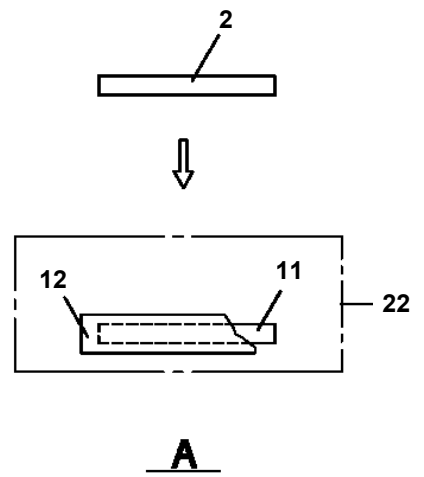
参考貼付位置
REFERENCE OF PLATE LOCATION

注意 / 作動油高温注意

- 作動油の温度が50℃以上上昇した場合は、すぐに作動油を冷却してください。
- 作動油の温度が作動油タンク内に張りつてあるサーモバルブの温度計を覆ってはいけません。
- 作動油の温度が50℃~100℃です。
- 作動油の温度が高くなると、高圧ホースやケーブルが熱で溶け、破損した状態で使用することがあります。
- 作動油が下がるまで作動を停止しないでください。
- サーモバルブは2年ごとに交換してください。

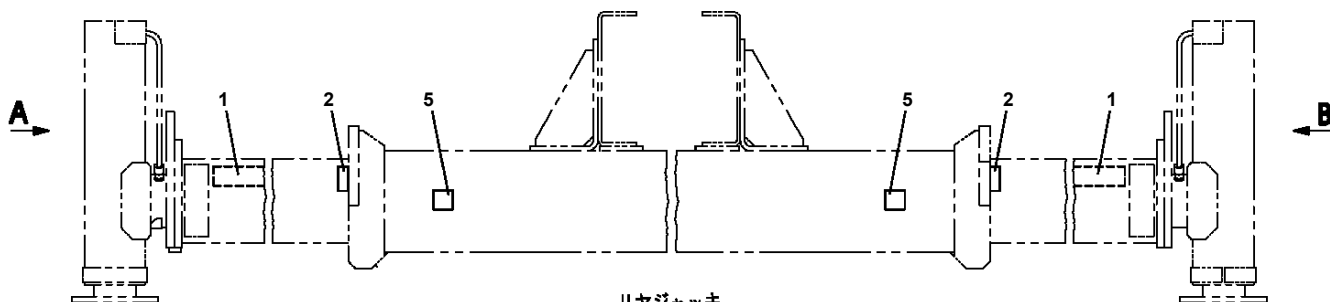


(580STD/SL)
(600STD/SL)

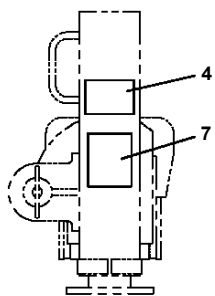


A

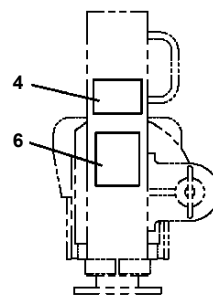
TM-ZE500 41050501196A FRAME/HOOK-IN, MANUAL VALVE
PN5010655-00 NAME PLATE ASSY (REAR OURTIGGER)



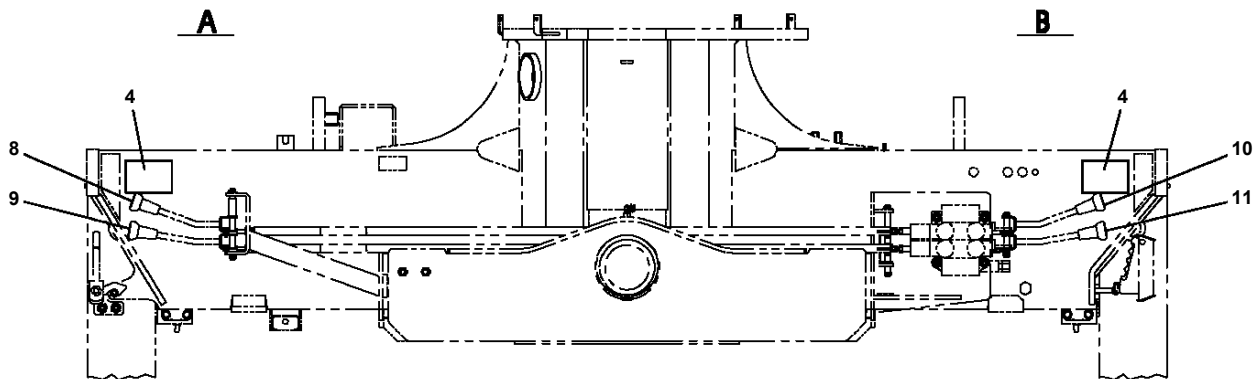
リヤジャッキ
車両後方より見る



A



B



フロントジャッキ
車両後方より見る

TM-ZE500 41050501196A FRAME/HOOK-IN,MANUAL VALVE

Pos No.	Parts No	Parts Name	Qty	Unit	Technical Data	Serial No (Start)	Serial No (End)	Remarks	Pages
1	37002227620	PLATE,NAME	2						
2	37002227630	PLATE,NAME	1						
3	37002227640	PLATE,NAME	2						

TM-ZE500 41050501196A FRAME/HOOK-IN, MANUAL VALVE

Pos No.	Parts No	Parts Name	Qty	Unit	Technical Data	Serial No (Start)	Serial No (End)	Remarks	Page
1	(*****)	PLATE,NAME (NETIS)	2						00031

TM-ZE500 41050501196A FRAME/HOOK-IN,MANUAL VALVE

Pos No.	Parts No	Parts Name	Qty	Unit	Technical Data	Serial No (Start)	Serial No (End)	Remarks	Pages
1	31595920100	PLATE,CAUTION	4						

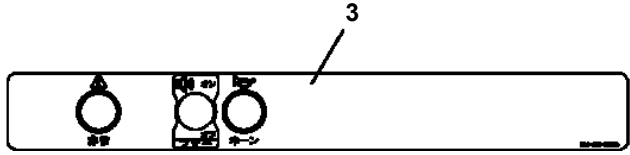
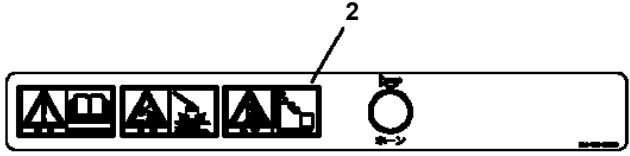
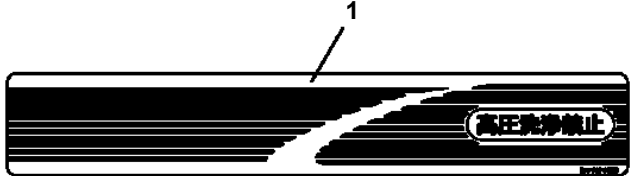
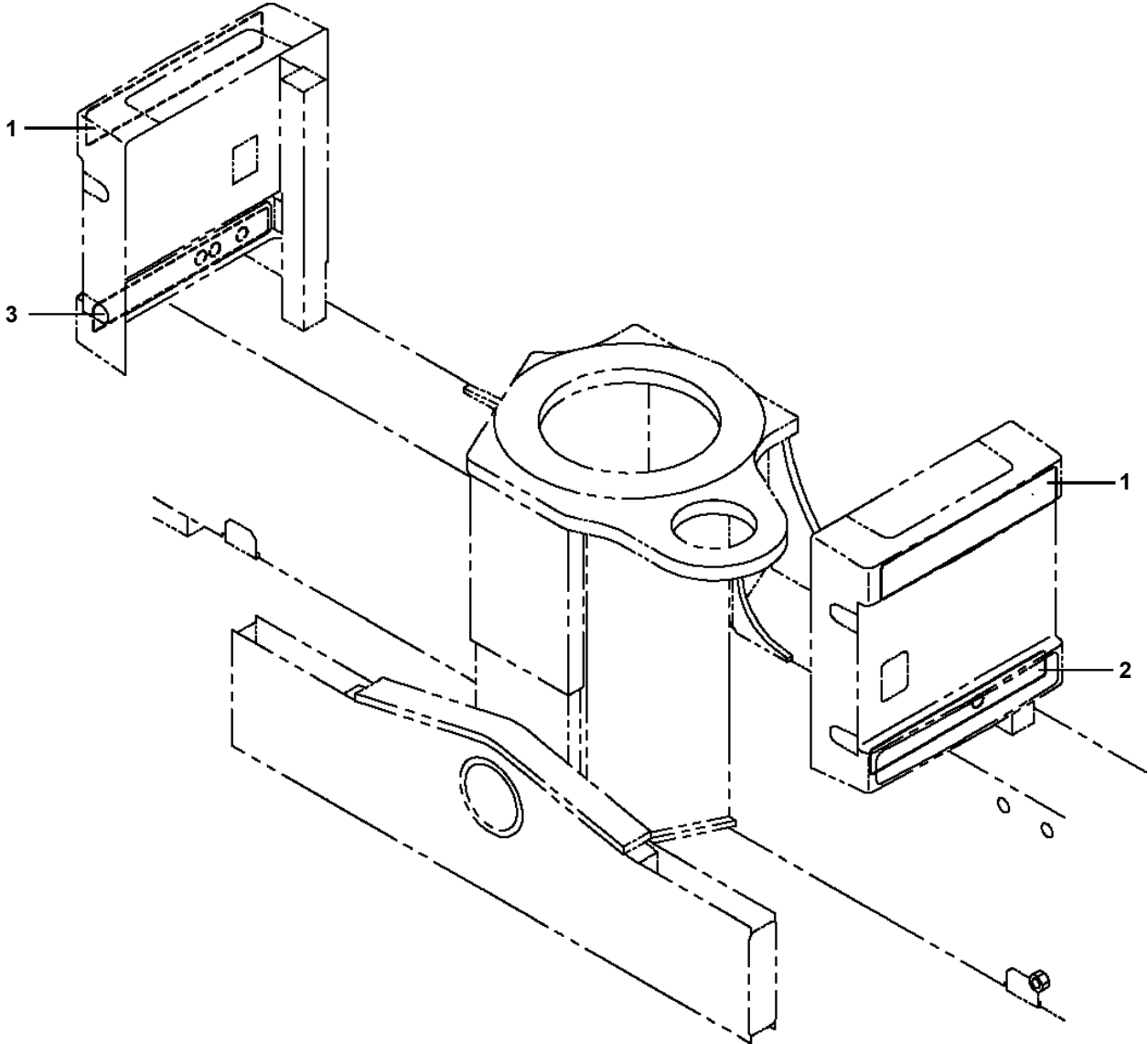
TM-ZE500 41050501196A FRAME/HOOK-IN,MANUAL VALVE

Pos No.	Parts No	Parts Name	Qty	Unit	Technical Data	Serial No (Start)	Serial No (End)	Remarks	Pages
1	31473481100	PLATE,CAUTION	1						

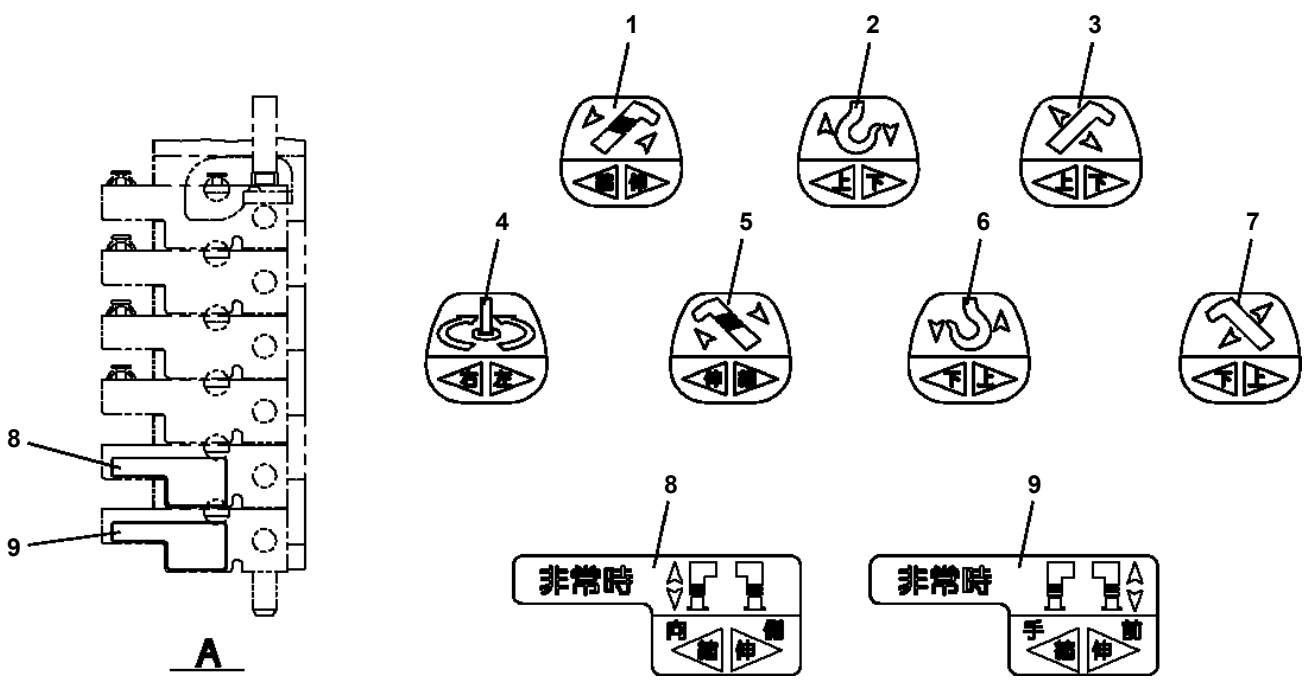
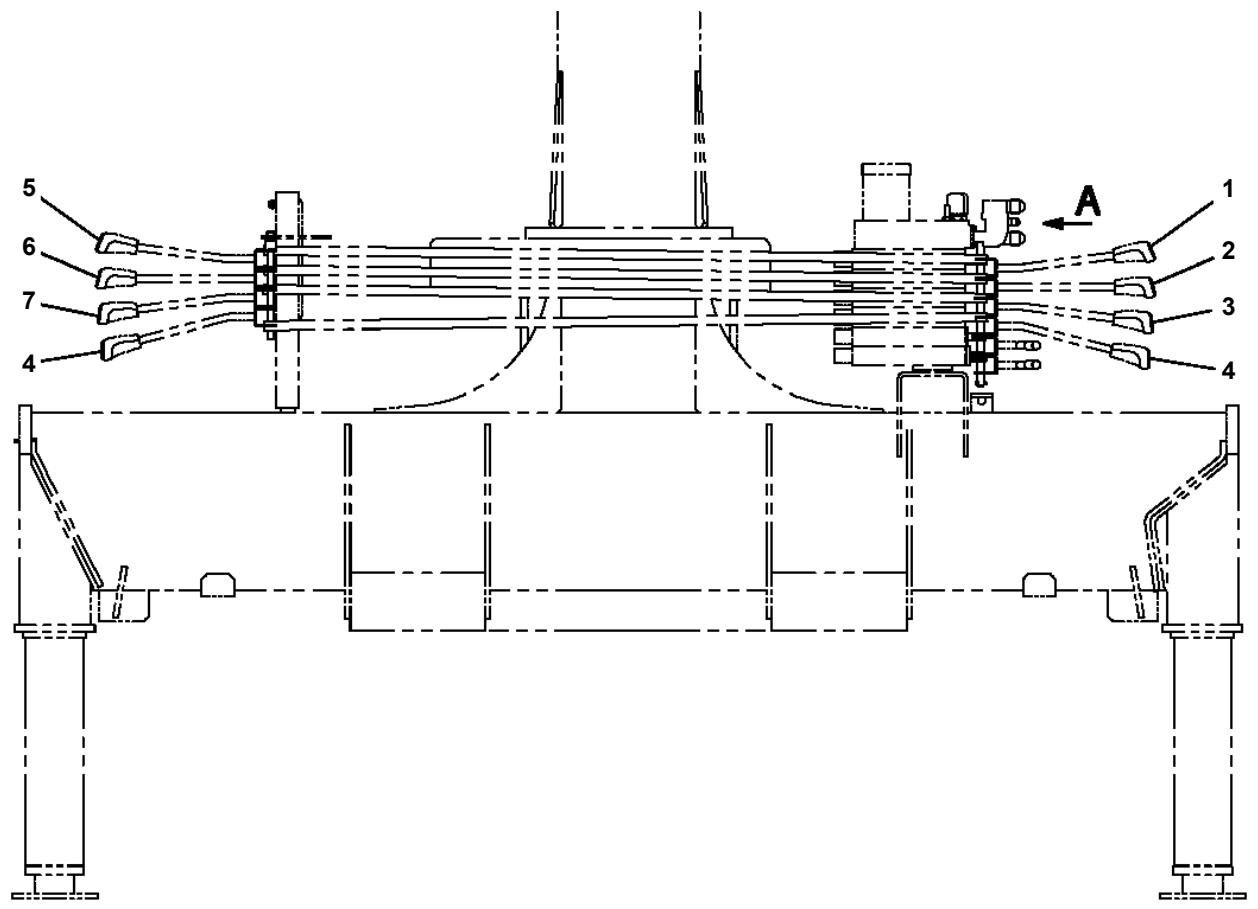
TM-ZE500 41050501196A FRAME/HOOK-IN, MANUAL VALVE

Pos No.	Parts No	Parts Name	Qty	Unit	Technical Data	Serial No (Start)	Serial No (End)	Re
1	37002213190	PLATE,NAME (LEVEL,ISO VG46)	1					

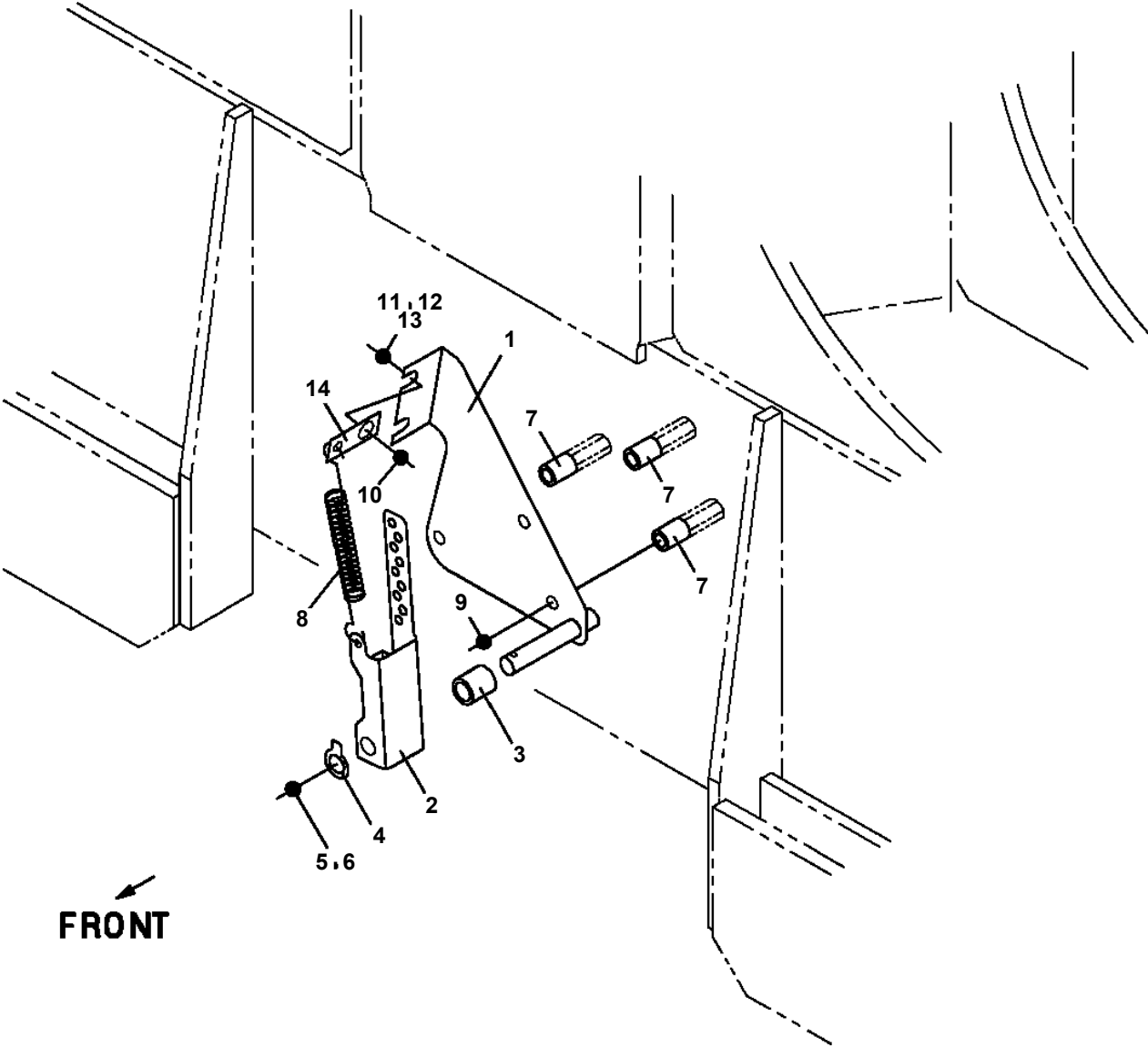
TM-ZE500 41050501196A FRAME/HOOK-IN, MANUAL VALVE
PO1015134-01 PLATE ASSY, NAME (PANEL)



TM-ZE500 41050501196A FRAME/HOOK-IN, MANUAL VALVE
 PO1015655-01 PLATE ASSY, NAME (OPERATION)



**TM-ZE500 41050501196A FRAME/HOOK-IN,MANUAL VALVE
PO5020013-00 OPE.ASSY,ACCELERATOR**



TM-ZE500 41050501196A FRAME/HOOK-IN,MANUAL VALVE

Pos No.	Parts No	Parts Name	Qty	Unit	Technical Data	Serial No (Start)	Serial No (End)	Remark
2	90302041001	WASHER,SPRING	4		10			
3	90171110018	BOLT	4		M10X18			
4	31325184100	ROD ASSY	4					
5	31325184300	ROD ASSY	1					
6	31325184500	ROD ASSY	1					
7	31325184700	ROD	2					
8	31324983101	LEVER	1					
9	31325073200	LEVER	1					
10	31325073300	LEVER	1					
11	31325073400	LEVER	1					
12	31325073500	LEVER	1					
13	31324983600	LEVER	1					
14	31324983700	LEVER	1					
15	31324983800	LEVER	1					
16	31324860701	KNOB (RED)	1					
17	31324860801	KNOB (BLACK)	7					
18	37010100110	PIN	1					
19	80136840020	PIN,SPLIT	1		4X20			
20	37000105040	PIN	16					
21	80650100030	RING,RETAINING	23					
22	37000105050	PIN	7					
23	31322050600	BOLT	1					
24	80136850025	PIN,SPLIT	1		5X25			
25	90303071201	WASHER,PLAIN	2		12			
26	90309331205	WASHER,CONICAL SPRING	2		L12			
27	90203201200	NUT	2		M12			
28	12434402040	SPRING	1					
29	80172305008	SCREW,MACHINE	2		M5X8			
30	37000311190	SPACER	1		L=16			
31	31325074800	SUPPORT	1					
32	90186210014	BOLT,FLANGE	1		M10X14			
33	37001300530	SPRING	1					
34	31322224200	PLATE	N		L=1			
37	31325184900	PLATE	1					
38	90186208014	BOLT,FLANGE	2		M8X14			
51	31325141100	SUPPORT	1					
52	31322031150	SUPPORT	1					
53	90186208010	BOLT,FLANGE	2		M8X10			
54	31325071200	LINK	1					
55	80136840020	PIN,SPLIT	4		4X20			
56	90303071201	WASHER,PLAIN	2		12			
57	31325071500	SUPPORT	1					
58	80824001206	BEARING,PLAIN	2					
59	31325072100	LEVER	1					
60	31325072200	LEVER	1					
61	31325072300	LEVER	1					
62	31325072400	LEVER	1					
63	31325072500	LEVER	1					
64	31325072600	LEVER	1					
65	31325072700	LEVER	1					
66	31324982800	LEVER	1					
67	31324860701	KNOB (RED)	1					
68	31324860801	KNOB (BLACK)	7					
69	37010100080	PIN	2					
70	37000311490	SPACER	1		L=20			
71	37000311600	SPACER	2		L=50			
72	31322224200	PLATE	N		L=1			
73	37000517380	PLATE	1		T=2.3 TO 3.2			
74	90201200800	NUT	1		M8			
75	90102208035	BOLT	1		M8X35			
77	37000313030	SPACER	1		L=7			
131	31325071300	LINK	1					
132	37010100100	PIN	1					

**TM-ZE500 41050501196A FRAME/HOOK-IN,MANUAL VALVE
PO5080128-00 OPE.ASSY,CONT.VALVE (BOTH OF JACK LEVER)**

指示番号 KEY NO.	オペ .ASSY,ソウサバ ルフ (リヨウカ フジ ヤツキレハ) OPE.ASSY,CONT.VALVE (BOTH OF JACK LEVER)
1	オペ .ASSY,ソウサバ ルフ (リヨウカ フジ ヤツキソウサ) OPE.ASSY,CONT.VALVE (BOTH OF JACK CONROL)
2	ハイセンASSY (ジ ヤツキソウサフ メクラ) ELEC.ASSY (JACK CONTROL)
3	ネームプ レートASSY (ジ ヤツキソウサフ メクラ) NAME PLATE ASSY (JACK CONTROL)

**TM-ZE500 41050501196A FRAME/HOOK-IN,MANUAL VALVE
PO5080231-00 OPE.ASSY,CONT.VALVE(BOTH OF JACK LEVERH,HR,HE,HRE,HREN)**

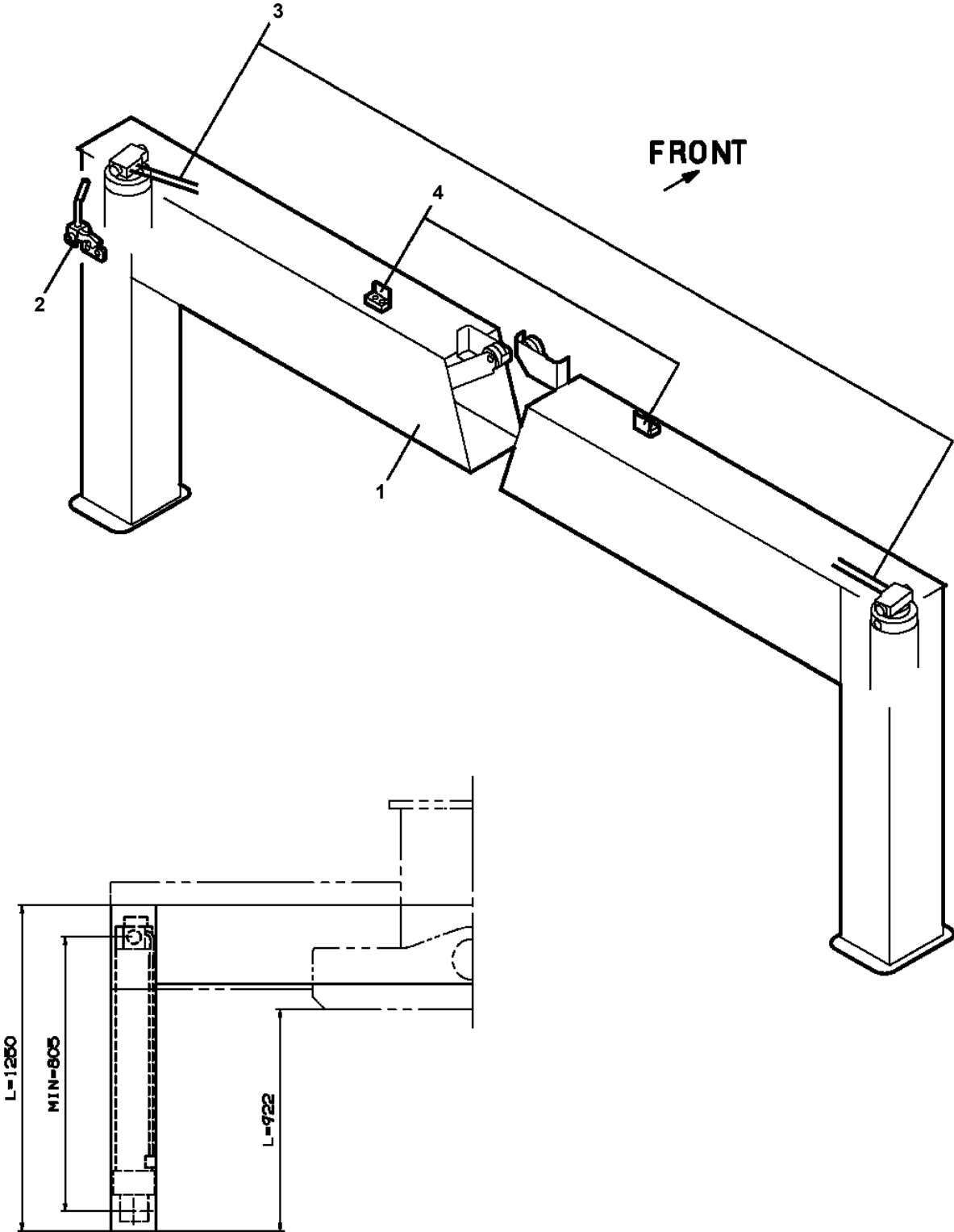
オペ .ASSY,ソウサハ` ルフ` (リヨウカ` ワジ` ヤツキレハ` -/H,HR,HE,HRE,HRENヨウ)
OPE.ASSY,CONT.VALVE (BOTH OF JACK LEVERH,HR,HE,HRE,HREN)

指示番号 KEY NO.	部品名称 PART NAME	備考 REMARK
1	オペ .ASSY,ソウサハ` ルフ` OPE.ASSY,CONT.VALVE	
2	プレートASSY,ネーム PLATE ASSY,NAME	
3	ハイセンASSY ELEC.ASSY	
5	ハイセンASSY ELEC.ASSY	ジ` ヤツキソウサフ` JACK CONTROL
11	ハイセンASSY ELEC.ASSY	ヒジ` ヨウスイツチツイカ EMERGENCY SWITCH ADDED

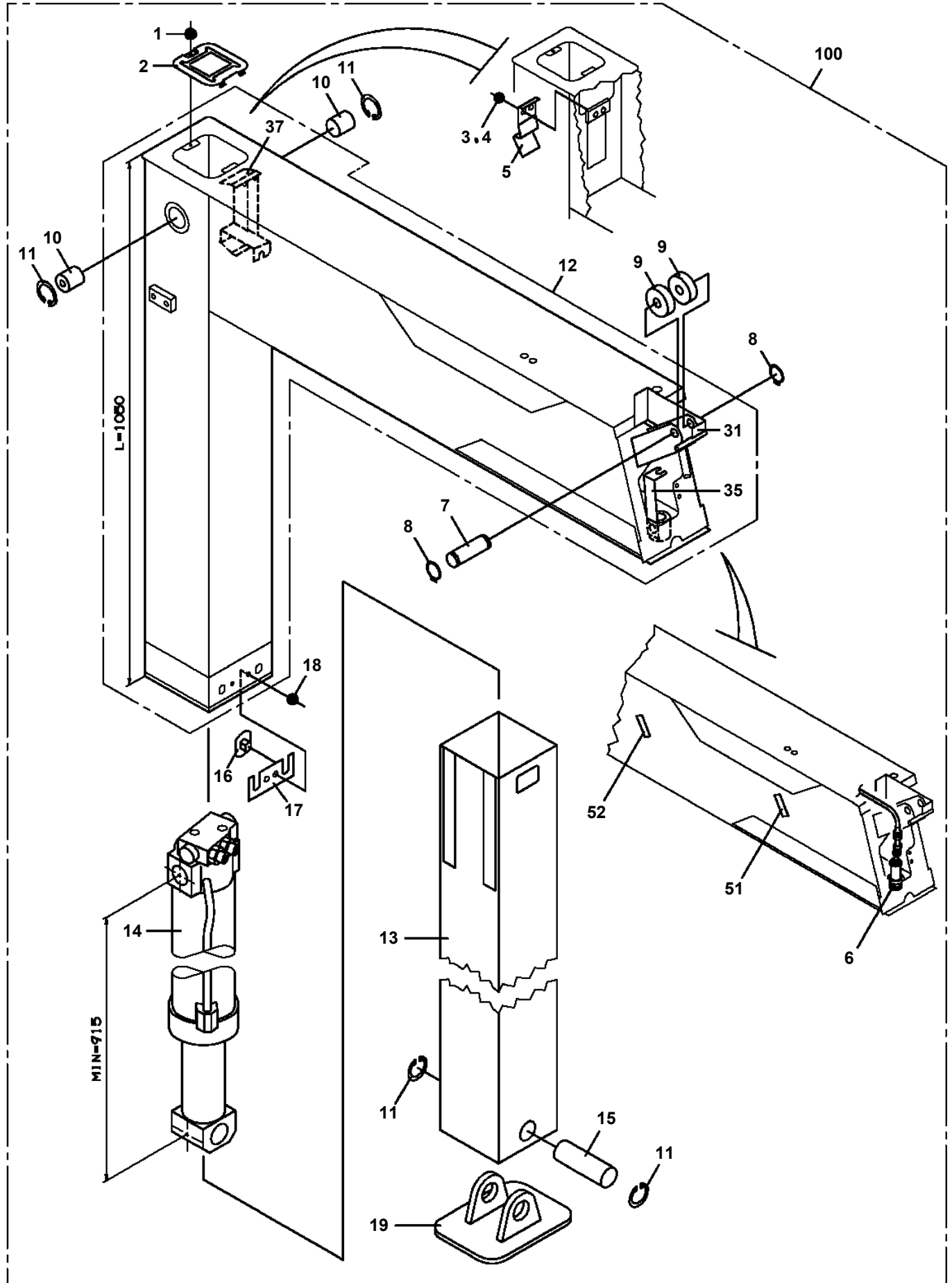
適用製造番号によっては取り付けがないものもあります。

MACHINES OF SOME SERIAL NO. ARE NOT EQUIPPED WITH THESE PARTS.

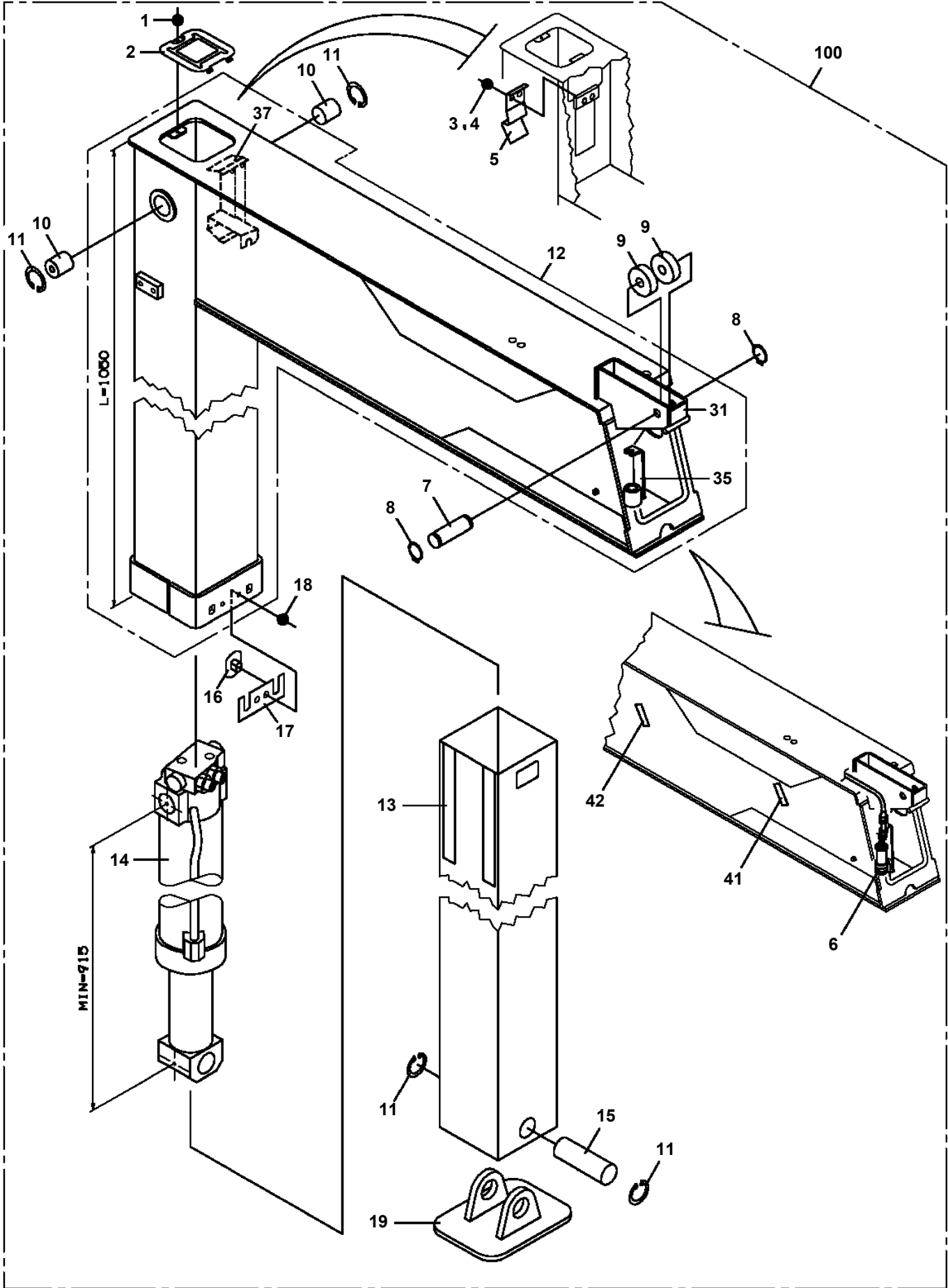
**TM-ZE500 41050501196A FRAME/HOOK-IN, MANUAL VALVE
PO5270020-02 OUTRIGGER ASSY (L=922, MIN=805)**



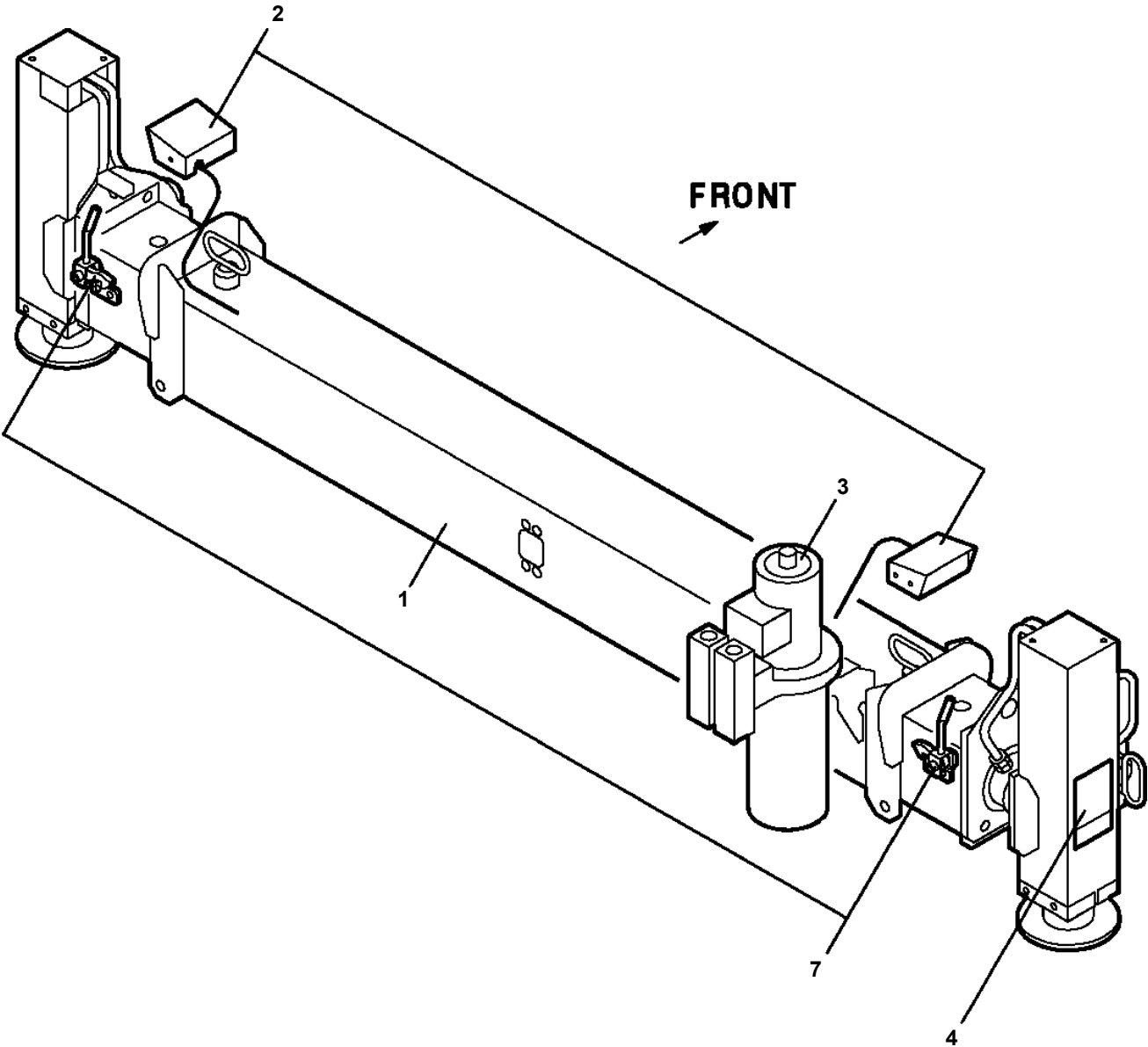
TM-ZE500 41050501196A FRAME/HOOK-IN, MANUAL VALVE
PO5270055-01 OUTRIGGER ASSY (CASE:L=1050,MIN=915)



TM-ZE500 41050501196A FRAME/HOOK-IN, MANUAL VALVE
PO5270238-00 OUTRIGGER ASSY (CASE:L=1050,MIN=915)



**TM-ZE500 41050501196A FRAME/HOOK-IN,MANUAL VALVE
PO5290014-00 OUTRIGGER,REAR(PACKAGE/HIGH TRUK BED:WITH LOCK ASSY)**



TM-ZE500 41050501196A FRAME/HOOK-IN,MANUAL VALVE
PP5150020-00 PARTS ASSY,RADIO CONTROLLER

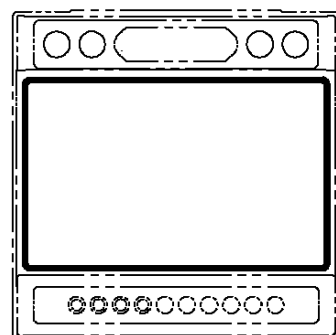
指示番号 KEY NO.	パ ーツASSY,ラジ コン PARTS ASSY,RADIO CONTROLLER
2	ハイセンASSY (コントロール ユニット) ELEC.ASSY (CONTROL UNIT)
3	ハイセンASSY (アンテナ ユニットヨウ フ ラグ) ELEC.ASSY (PULG FOR ANTENNA UNIT)
6	コントロール ユニット CONTROL UNIT

**TM-ZE500 41050501196A FRAME/HOOK-IN,MANUAL VALVE
PP5200409-00 PERFORMANCE DATA (SELEC.TABLE/CONT.UNITSIDE PANEL)**

ZEMH既納車ラジコン性能銘板選定表

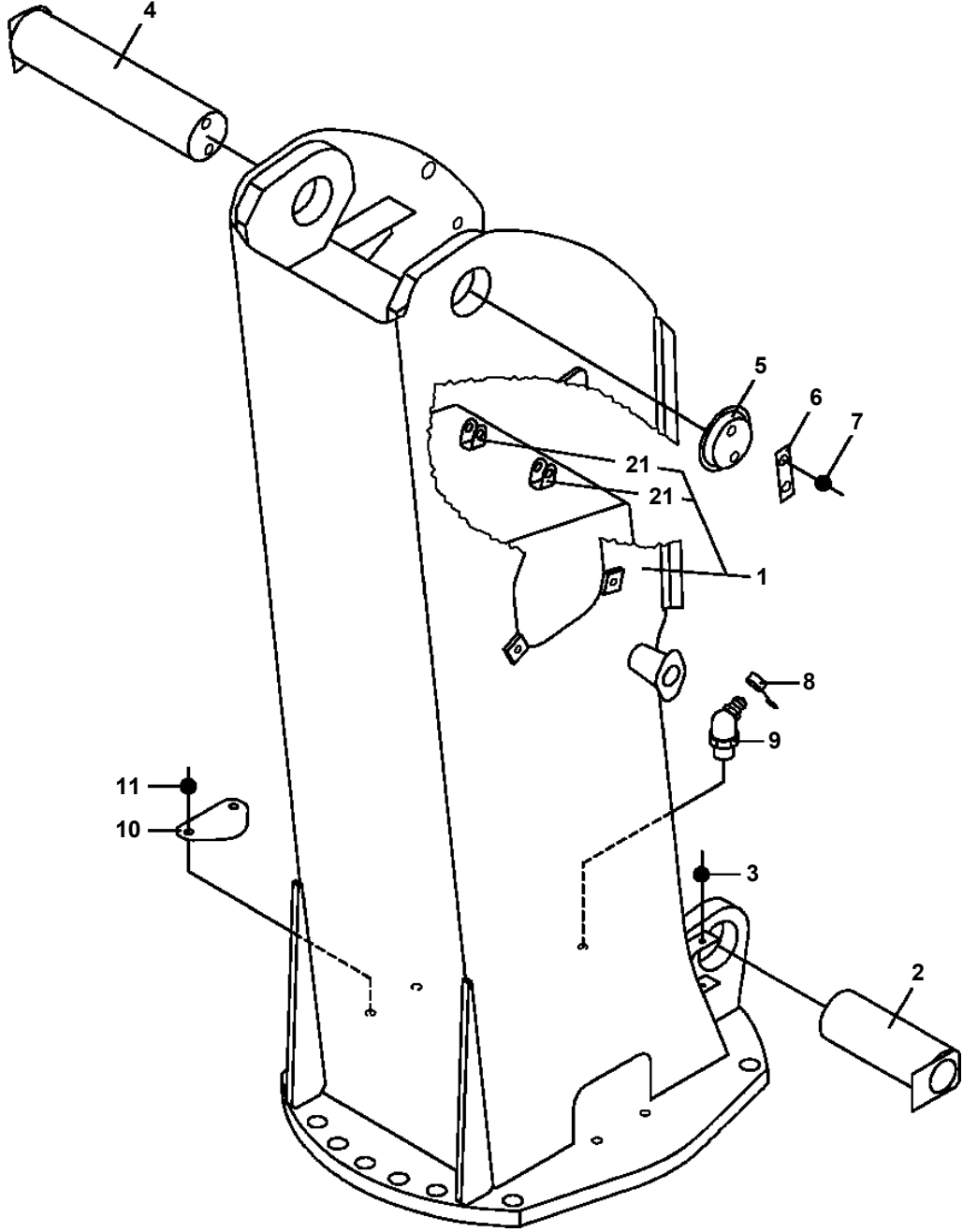
PERFORMANCE DATA FOR
DELIVERED ZEMH RADIO-CONTROL CRANES

CRANE MODEL	FRAME	PERFORMANCE DIVISION	PERFORMANCE DATA	REMARKS
ZE503	STD	A	1	
		B	2	
		C	3	
ZE504	STD	A	4	
		B	5	
		C	7	
ZE505	STD	A	8	
		B	9	
		C	10	
ZE505L	STD	B	11	
		C	12	
ZE583	STD	A	13	WITHOUT R/O
		B	14	WITH R/O
		C	15	WITH R/O
ZE584	STD	A	16	WITHOUT R/O
		B	17	WITH R/O
		C	18	WITH R/O
ZE585	STD	A	19	WITHOUT R/O
		B	20	WITH R/O
		C	21	WITH R/O

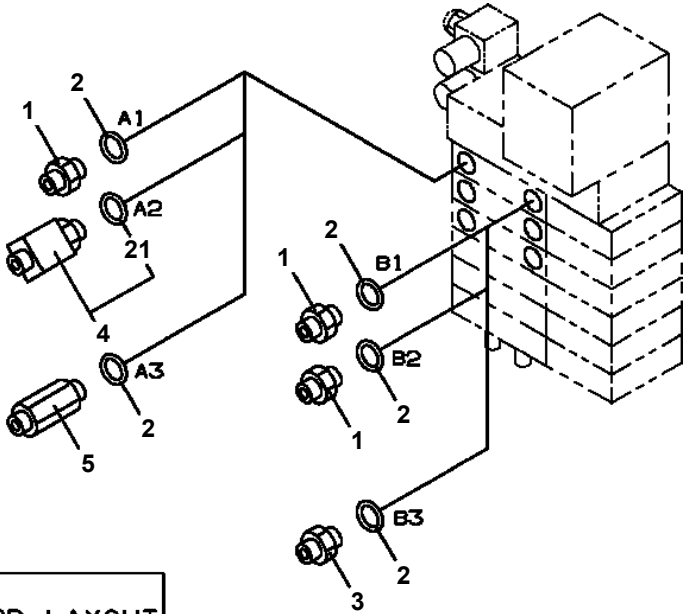


CONTROL UNIT SIDE PANEL

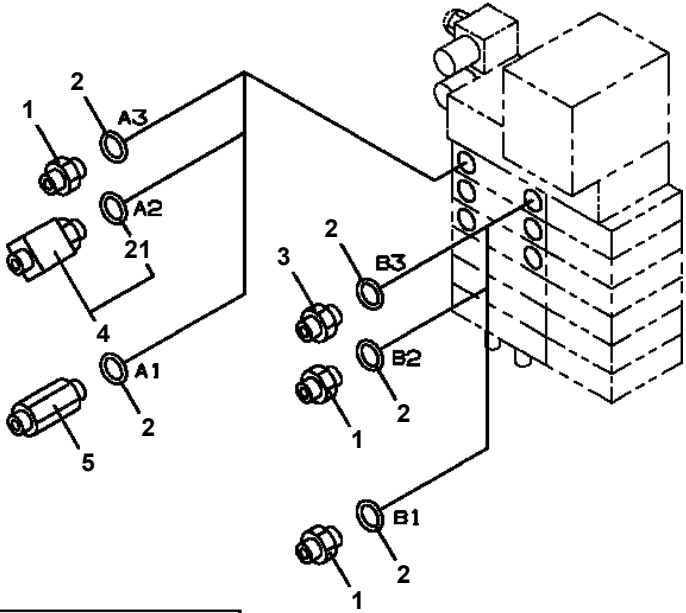
TM-ZE500 41050501196A FRAME/HOOK-IN,MANUAL VALVE
PP5300002-01 POST ASSY



TM-ZE500 41050501196A FRAME/HOOK-IN, MANUAL VALVE
PP6010040-01 PIPING ASSY (VALVE JOINT)



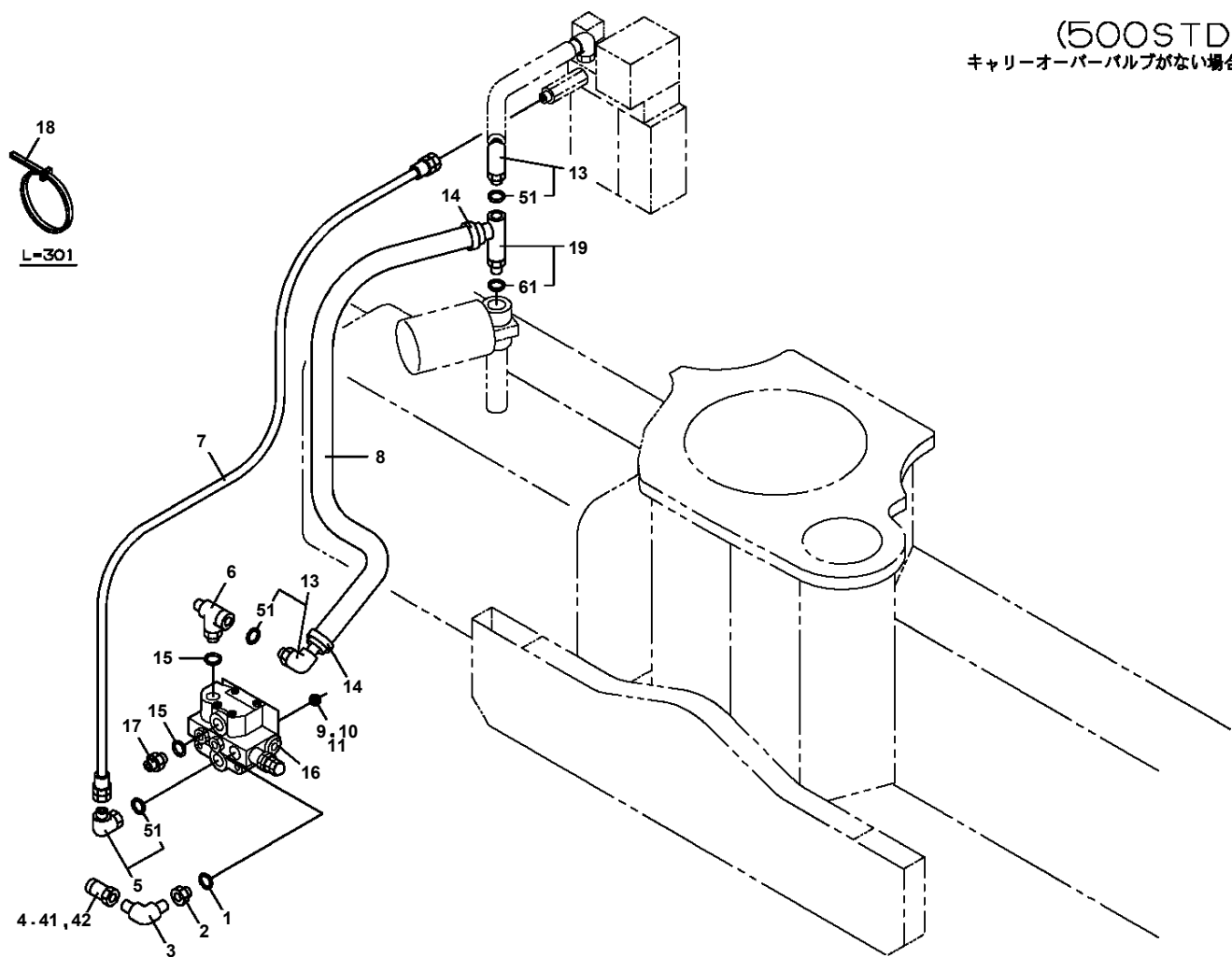
標準配列機
STANDARD LAYOUT



他社配列機
NON-STANDARD LAYOUT

STD

TM-ZE500 41050501196A FRAME/HOOK-IN,MANUAL VALVE
PP6010049-00 PIPING ASSY



TM-ZE500 41050501196A FRAME/HOOK-IN,MANUAL VALVE

Pos No.	Parts No	Parts Name	Qty	Unit	Technical Data	Serial No (Start)	Serial No (End)	Remarks
1	36062820000	CYLINDER,ACCELERATOR	1					
4	80303130081	FITTING,ELBOW	3		KLO08-020E			
5	80302090081	FITTING	1		KCO80-020N			
6	91002801100	O-RING	1		1B P11			
7	90101208095	BOLT	2		M8X95			
8	90302040801	WASHER,SPRING	2		8			
9	37005700130	CLAMP	1		10X2			
10	90101208035	BOLT	1		M8X35			
11	90280200800	NUT,FLANGE	1		M8			
12	37000312580	SLEEVE	2					
21	91002801100	O-RING	3		1B P11			

TM-ZE500 41050501196A FRAME/HOOK-IN,MANUAL VALVE

Pos No.	Parts No	Parts Name	Qty	Unit	Technical Data	Serial No (Start)	Serial No (End)	Remarks	Pa
2	90186208014	BOLT,FLANGE	4		M8X14				
3	90186210014	BOLT,FLANGE	2		M10X14				
4	37000924350	FITTING	4						
5	91002801100	O-RING	4		1B P11				
22	80491002020	JOINT (WITH O-RING)	4						
23	91810130240	FASTENER	4						
26	90280200800	NUT,FLANGE	2		M8				
28	31644591450	JOINT	2						
41	91002801100	O-RING	4		1B P11				
51	37012403490	HOSE (TWIN)	2		L=2000				
57	31645471310	SUPPORT	2						
74	37000715080	CLAMP ASSY	2		12X2				
79	37010502340	PLATE	2						

TM-ZE500 41050501196A FRAME/HOOK-IN,MANUAL VALVE

Pos No.	Parts No	Parts Name	Qty	Unit	Technical Data	Serial N
1	(*****)	RADIO CONTROL	1			
2	(*****)	OPE.ASSY,CONT.VALVE	1			
3	(*****)	ELEC.ASSY (PANEL SWITCH)	1			
	(*****)	ELEC.ASSY (PANEL SWITCH)	1			PA0963
4	(*****)	ELEC.ASSY (FRAME SWITCH)	1			
	(*****)	ELEC.ASSY (FRAME SWITCH)	1			PA0963
6	(*****)	PIPING ASSY (SWING LOCK)	1			
7	(*****)	PIPING,LOWER (RADICON./REPLACE FILTER)	1			
8	(*****)	PIPING ASSY (VALVE JOINT)	1			
9	3674200000	VALVE ASSY,REMOTE CONTROL	1			
10	(*****)	PIPING,LOWER (FOR LOAD METER)	1			
11	(*****)	PLATE ASSY,NAME (OPERATION)	1			
12	(*****)	PLATE ASSY,NAME (PANEL)	1			
13	(*****)	PERFORMANCE DATA (SELEC.TABLE/CONT.UNITSIDE PANEL)	1			
21	(*****)	ELEC.ASSY (PLUG:FRAME/INTERLOCK)	1			
22	(*****)	ELEC.ASSY (POST/ELEVATING STOWING SW)	1			

TM-ZE500 41050501196A FRAME/HOOK-IN, MANUAL VALVE

Pos No.	Parts No	Parts Name	Qty	Unit	Technical Data	Serial No (Start)	Serial No (End)	Remarks
5	82182819823	DIODE	1		1.5A			
9	34354781710	RELAY (WITH BRACKET)	1					
100	34354781720	RELAY (WITH HARNESS)	1					

TM-ZE500 41050501196A FRAME/HOOK-IN,MANUAL VALVE

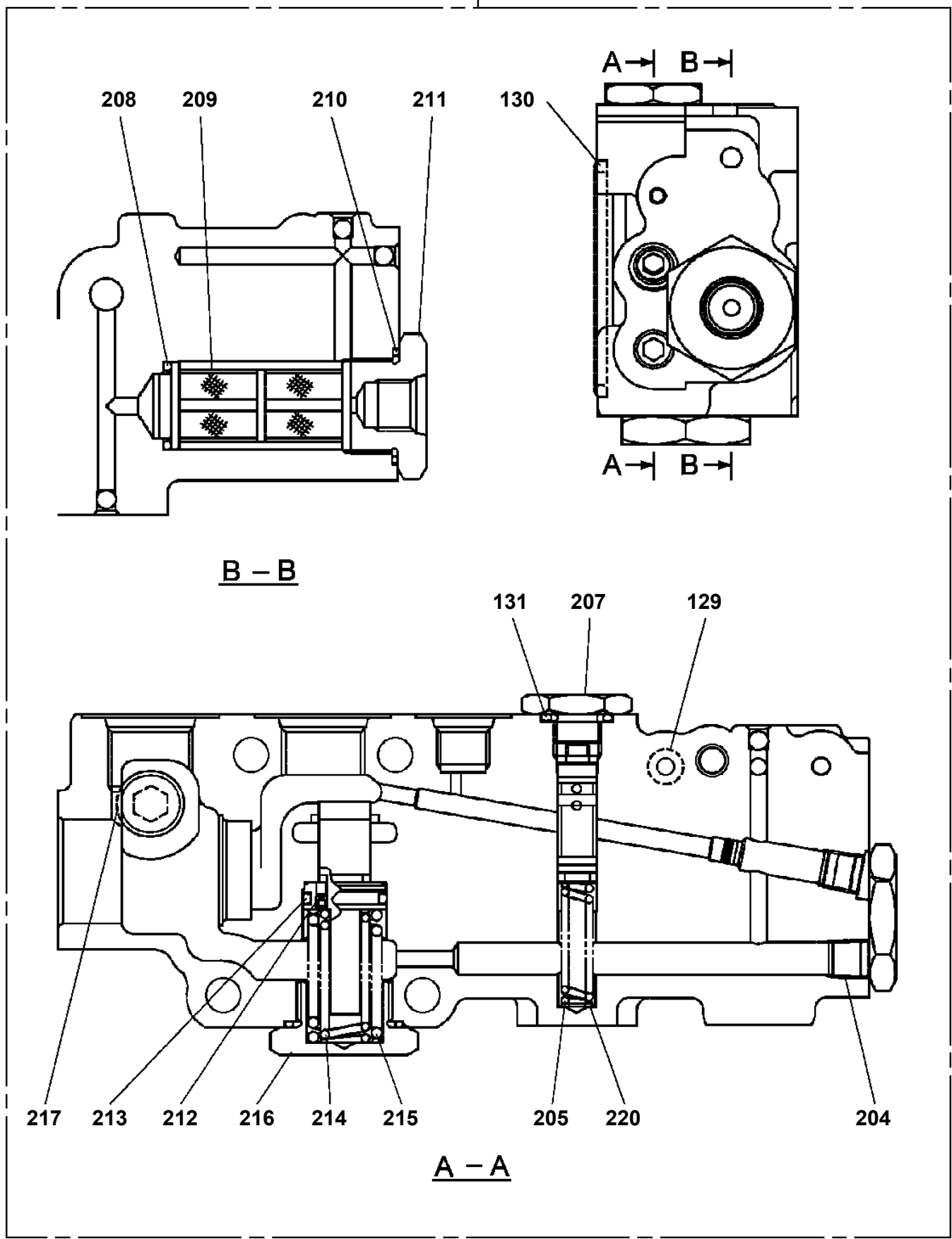
Pos No.	Parts No	Parts Name	Qty	Unit	Technical Data	Serial No (Start)	Serial No (End)	Remarks
1	37002304820	BEARING,SWING (KOYO)	1					
2	37001507220	BOLT	25		M20X85			
3	37001510290	BOLT	10		M20X55			
4	90171116045	BOLT	5		M16X45			
5	90303501601	WASHER,PLAIN	5		16			
6	36081760000	REDUCER,SWING SPEED	1					
7	91001208500	O-RING	1		1A G85			
8	90172112035	BOLT,HEXAGON SOCKET	2		M12X35			
9	90302041201	WASHER,SPRING	2		12			
10	36663950000	MOTOR,HYDRAULIC	1					
11	90303502001	WASHER,PLAIN	31		20			

TM-ZE500 41050501196A FRAME/HOOK-IN, MANUAL VALVE

Pos No.	Parts No	Parts Name	Qty	Unit	Technical Data	Serial No (Start)	Serial No (E
7	82105501002	SWITCH,TOGGLE (PLATING)	3		NACC 3TJW106G		
50	31658021110	SWITCH ASSY (WITH HARNESS,3 SW)	1				

TM-ZE500 41050501196A FRAME/HOOK-IN, MANUAL VALVE
PV1020384-01 VALVE, REMOTE CONTROL

7

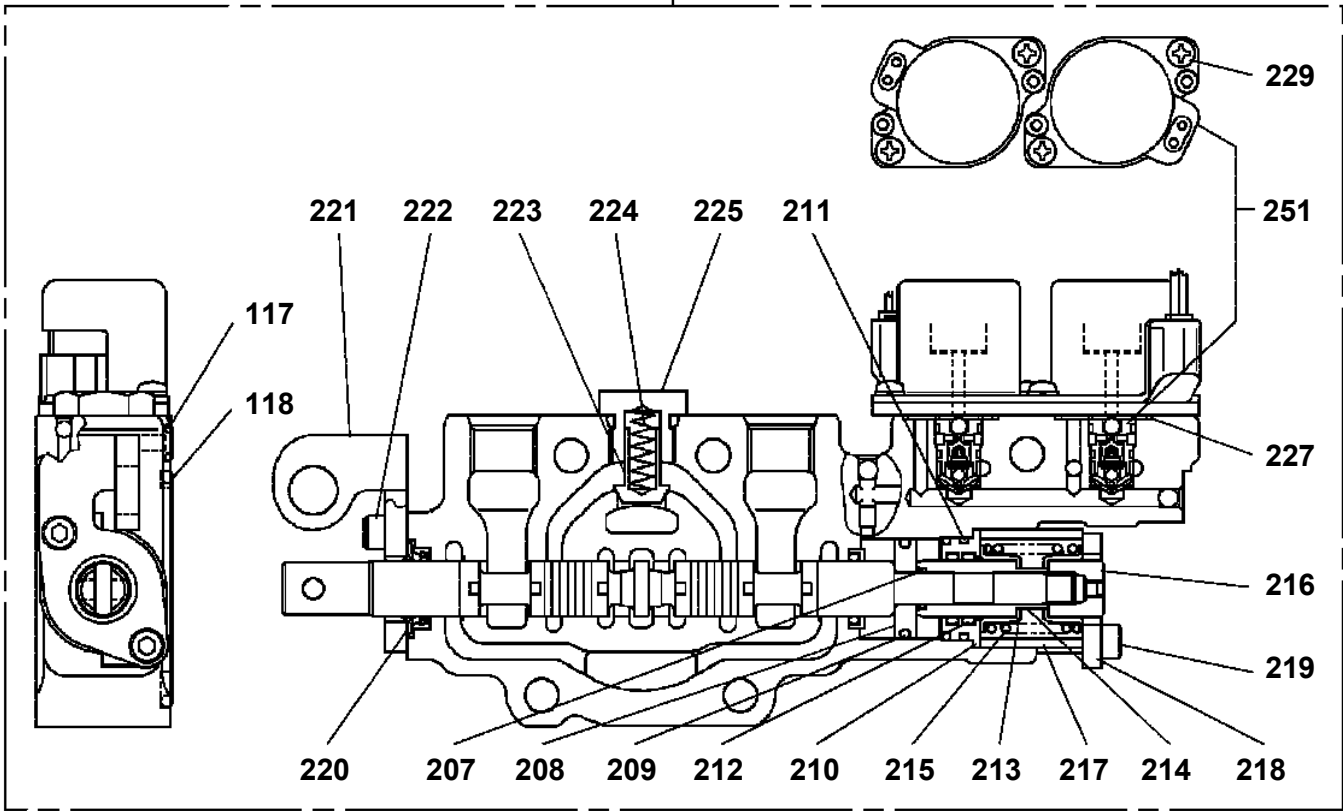


TM-ZE500 41050501196A FRAME/HOOK-IN,MANUAL VALVE
PV1070532-00 RADIO CONTROL

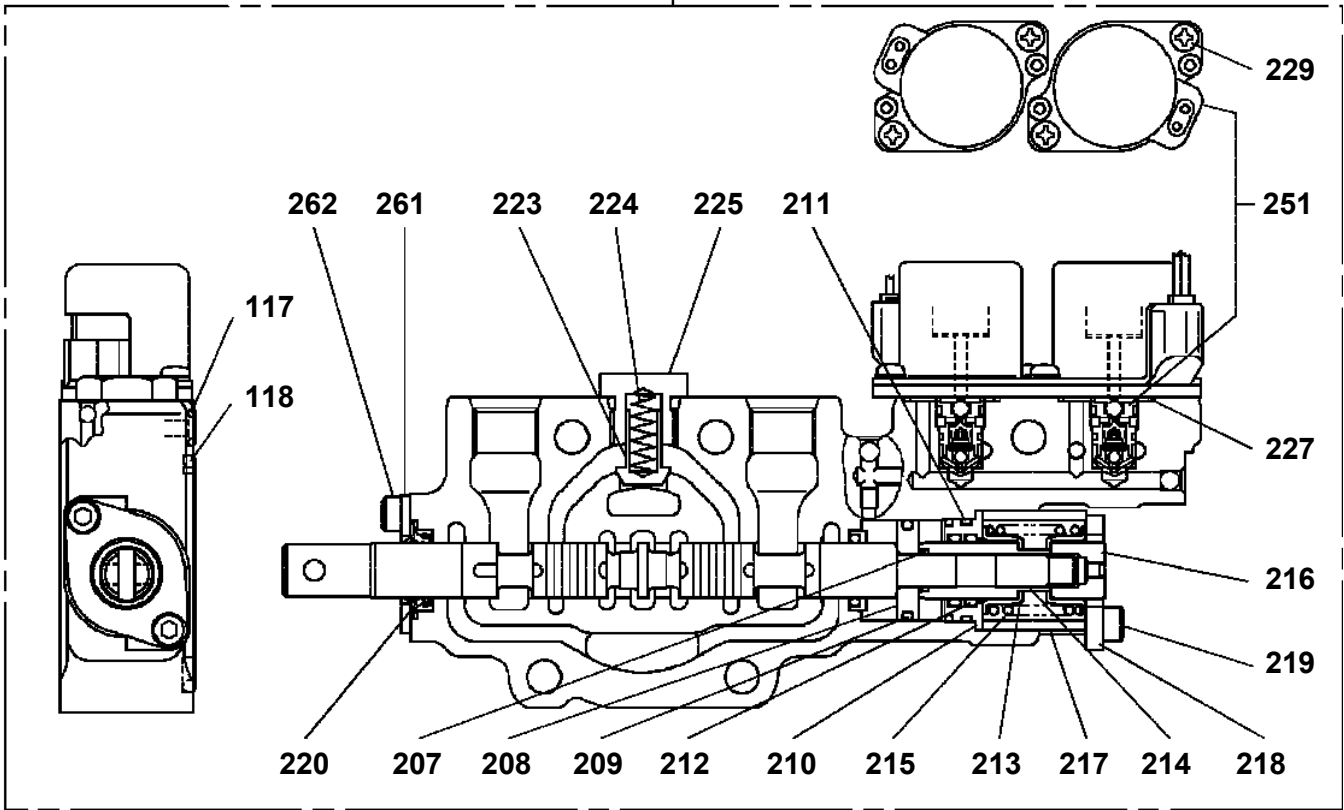
指示番号 KEY NO.	ラジ オ コントロール RADIO CONTROL
1	ラジ オ コントロール RADIO CONTROL
2	プレートASSY,ネーム PLATE ASSY,NAME

**TM-ZE500 41050501196A FRAME/HOOK-IN, MANUAL VALVE
PV5150006-03 VALVE ASSY, REMOTE CONTROL**

6

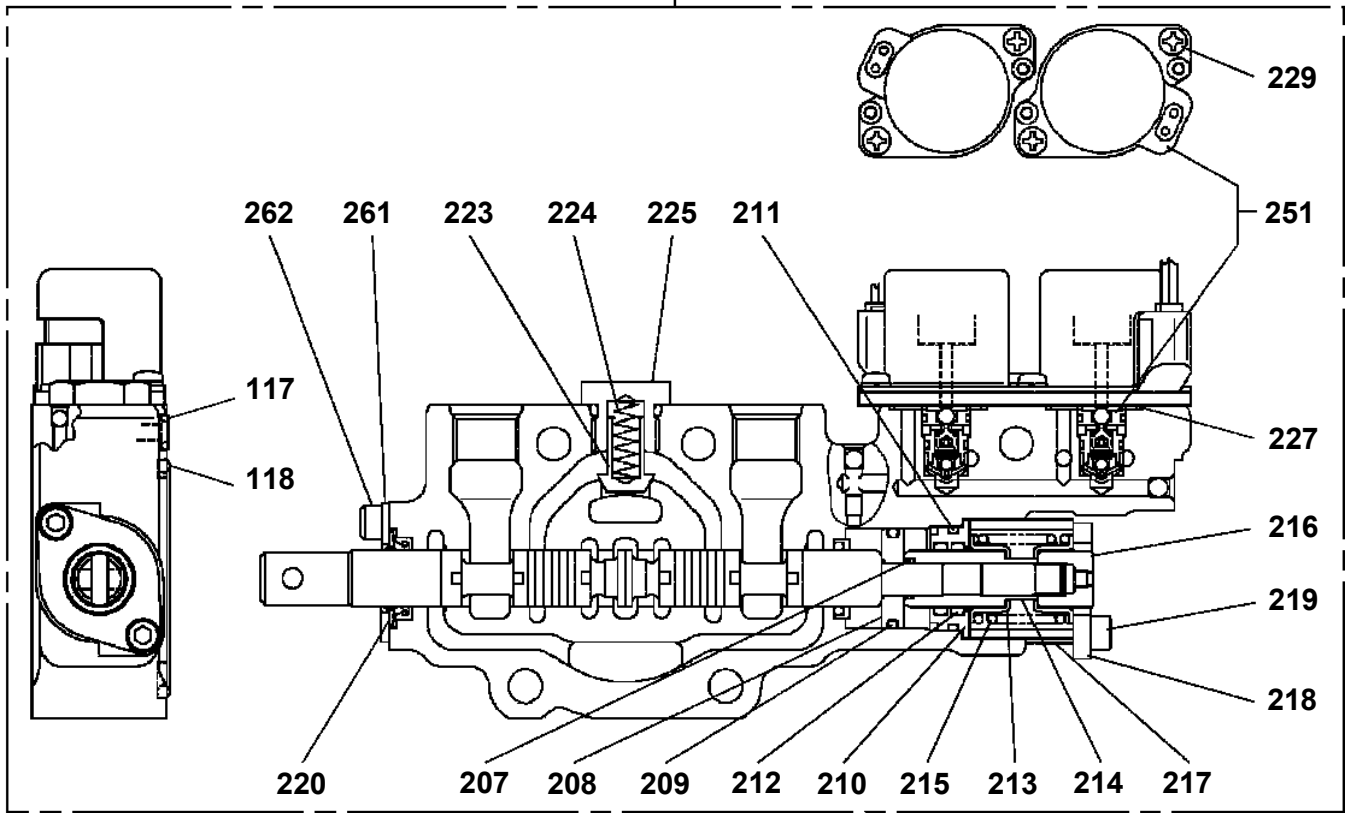


7

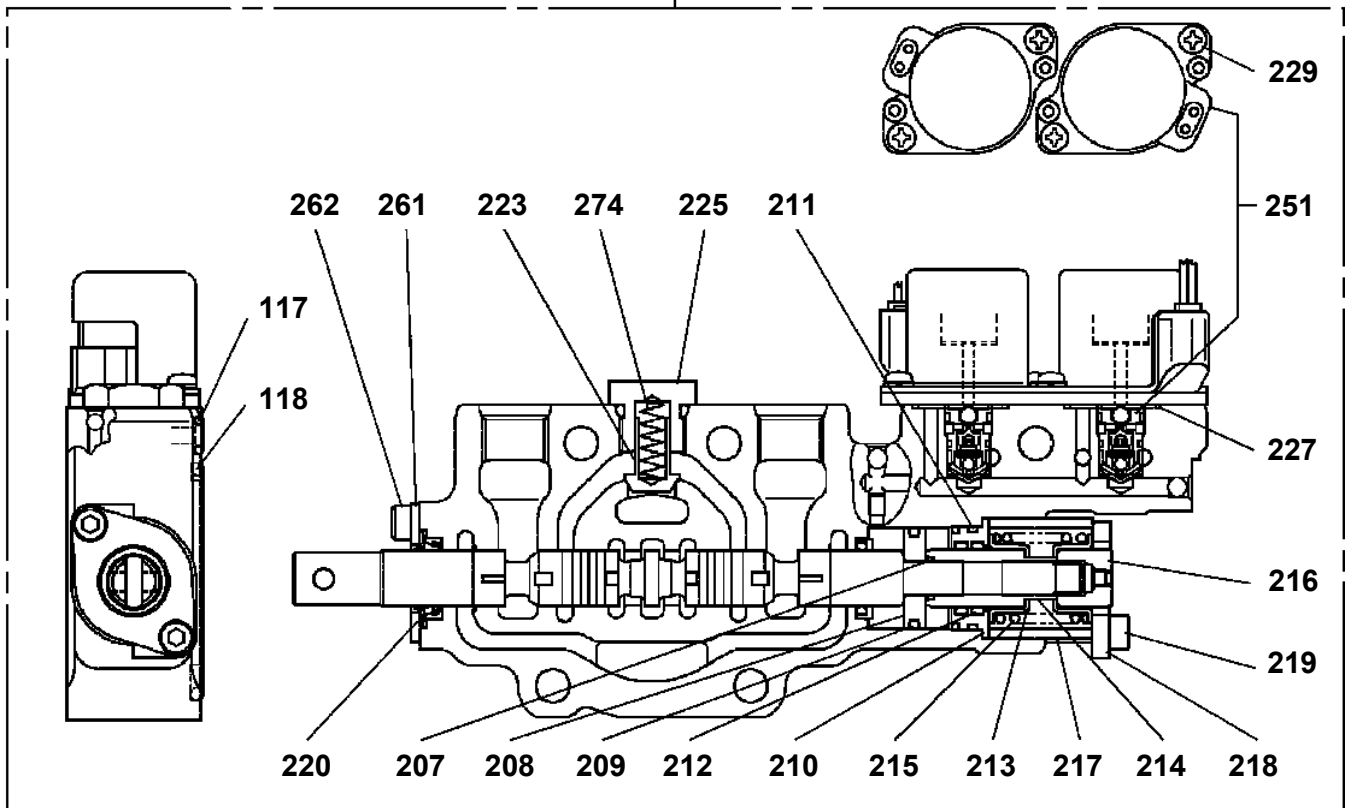


**TM-ZE500 41050501196A FRAME/HOOK-IN, MANUAL VALVE
PV5150008-02 VALVE ASSY, REMOTE CONTROL**

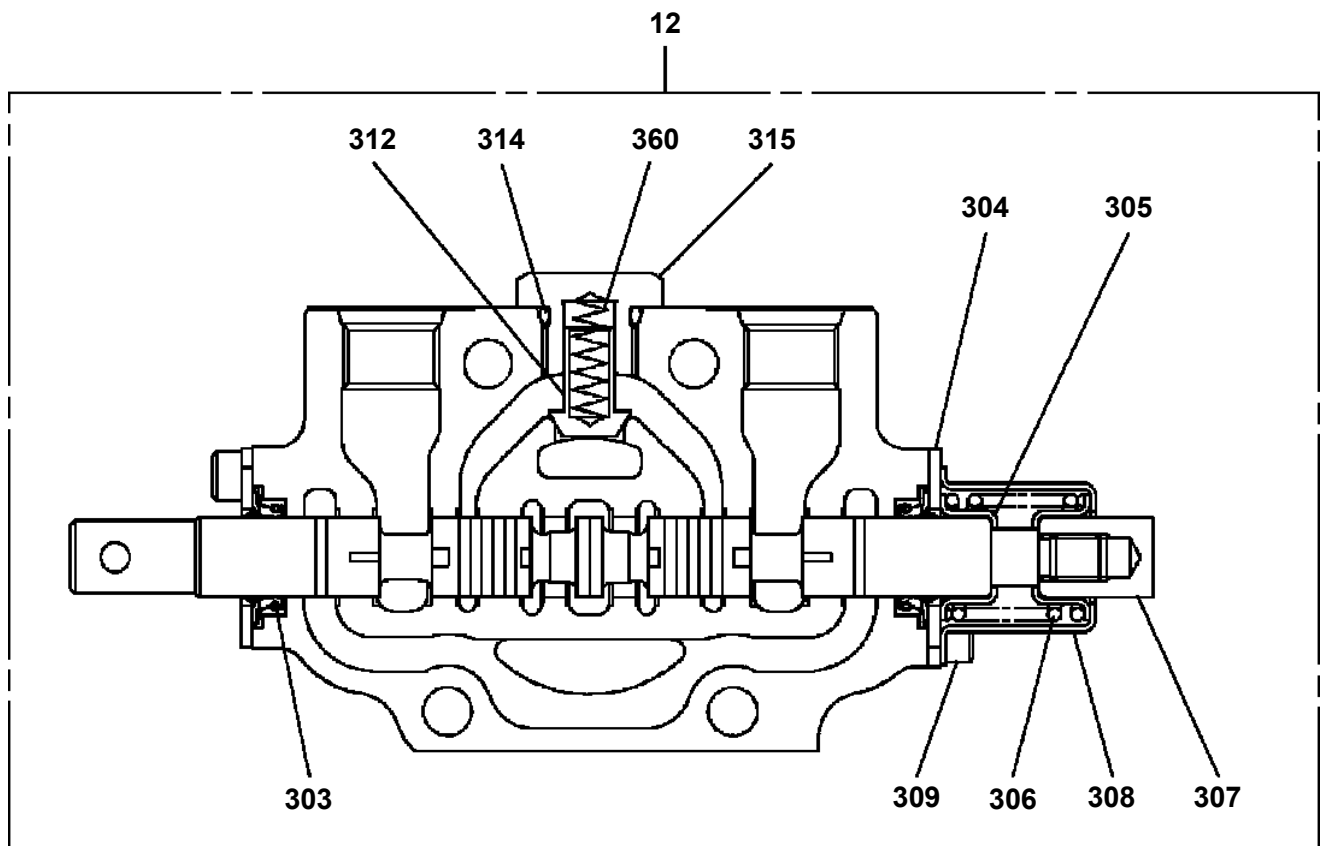
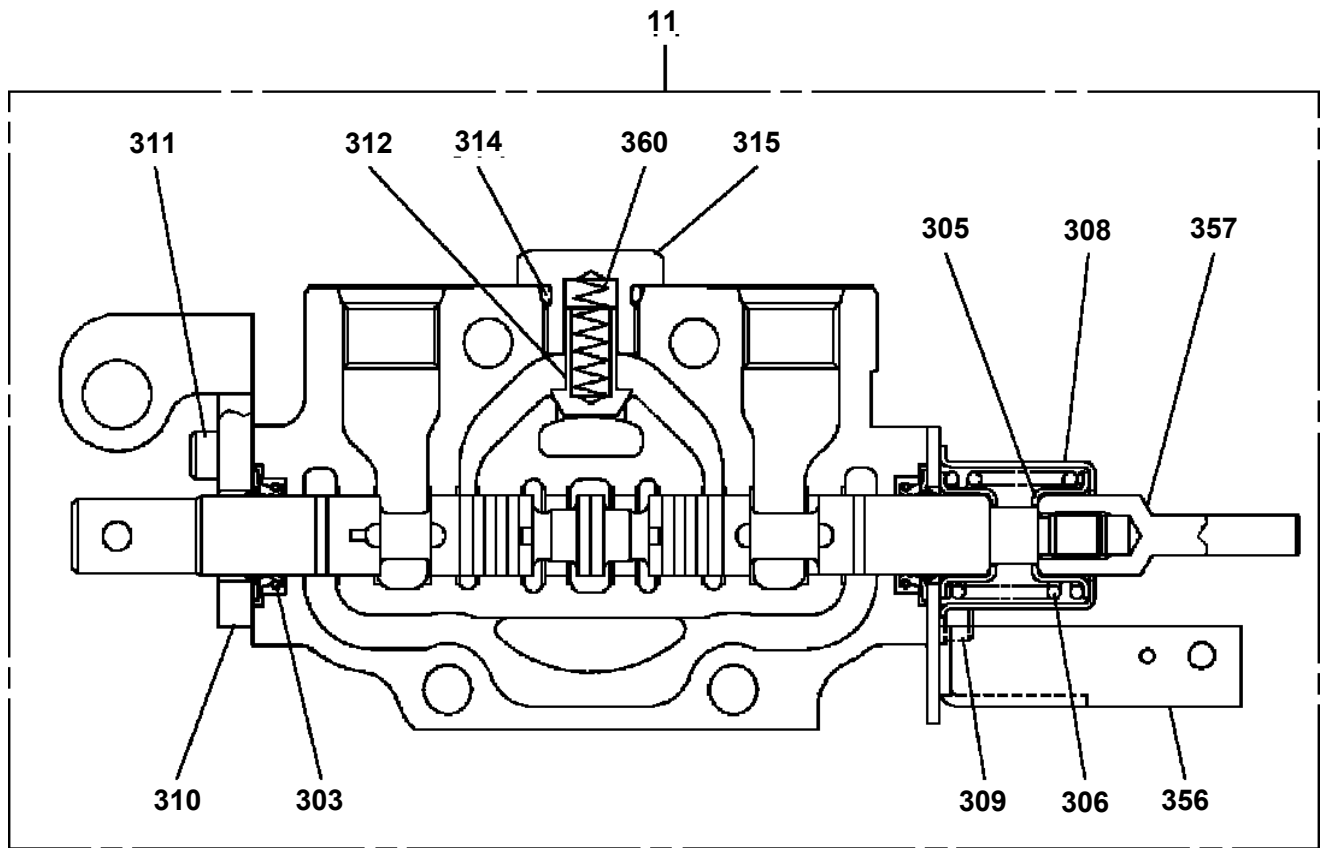
8



9



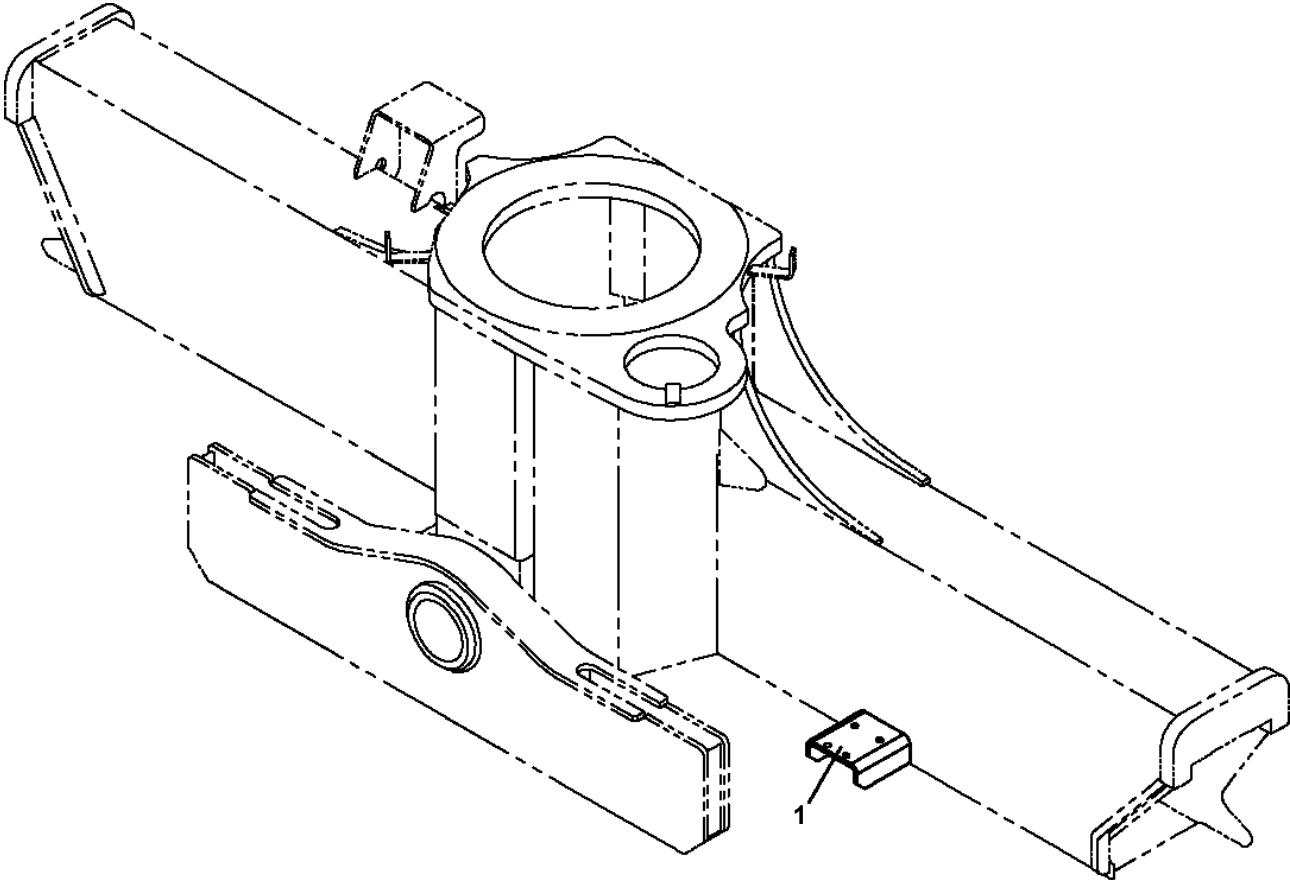
TM-ZE500 41050501196A FRAME/HOOK-IN, MANUAL VALVE
PV5180001-00 VALVE ASSY, SELECTOR (MANUAL CONT.)



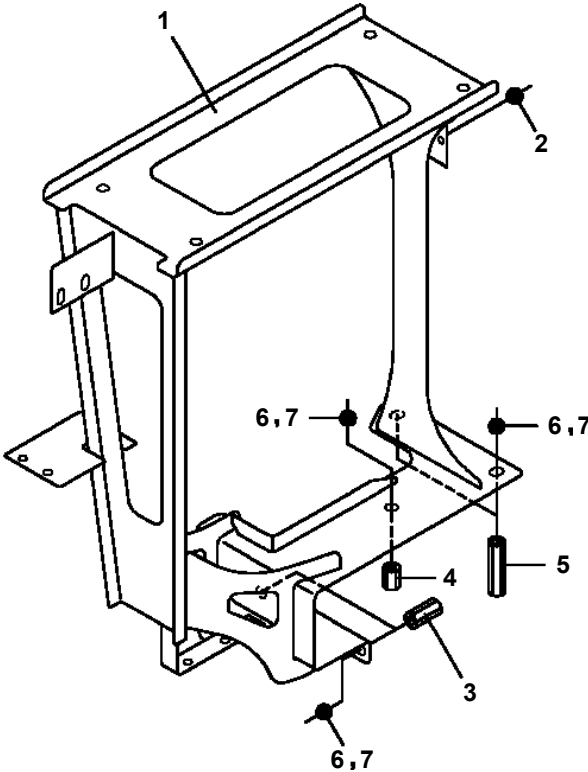
**TM-ZE500 41050501196A FRAME/HOOK-IN,MANUAL VALVE
PX5010068-00 MOUNT ASSY (POWER SUPPLY)**

指示番号 KEY NO.	マウントASSY (パワーサプライ) MOUNT ASSY (POWER SUPPLY)
1	ハイカンASSY PIPING ASSY
2	オペ . ASSY , ソウサハ . ルフ OPE . ASSY , CONT . VALVE
3	プレートASSY , ネーム PLATE ASSY , NAME

**TM-ZE500 41050501196A FRAME/HOOK-IN,MANUAL VALVE
PX5010136-00 MOUNT ASSY (4-VALVE INSTALLATION SUPPORT)**



TM-ZE500 41050501196A FRAME/HOOK-IN,MANUAL VALVE
PX5010467-00 MOUNT ASSY



**TM-ZE500 41050501196A FRAME/HOOK-IN,MANUAL VALVE
PY1001470-09 OPTIONS (TM COMMON)**

指示番号 KEY NO.	部品名称 PART NAME	備考 REMARK
1	フック HOOK	単索フック
2	フック HOOK	ロッキング フック
3	ガイド , ロープ GUIDE , ROPE	脱索防止 (フック含)
4	プレート PLATE	板木
6	ストッパ , タイヤ STOPPER , TIRE	タイヤ歯止め
7	ディテクタ , ディソータリ ワインディング DETECTOR , DISORDERLY WINDING	ワイヤ-乱巻防止ローラ
9	マウントASSY MOUNT ASSY	サービ スポ ート
10	パワーサプ ライ POWER SUPPLY	AC100V電源取出し (1500W)
11	タンク , オイル TANK , OIL	大容量タンク
12	クーラASSY , オイル COOLER ASSY , OIL	
13	アウトリカ ASSY , リヤ OUTRIGGER ASSY , REAR	油圧ハ ッゲージ 回転格納式シ ャツキストローク
15	フロート FLOAT	小型フロート
16	アラームASSY ALARM ASSY	起伏格納忘れ警報 (H・HR・HE・HRE・HREN用) 適合製番: ~#PA0962
17	アラームASSY ALARM ASSY	起伏格納忘れ警報 (MH用) 適合製番: ~#PA0962
18	アラームASSY ALARM ASSY	起伏・アウトリカ 格納忘れ警報装置 適合製番: ~#PA0962
19	アラームASSY ALARM ASSY	起伏・アウトリカ 格納忘れ警報装置 (H・HR・HE・HRE・HREN用) 適合製番: ~#PA0962

適用製造番号によっては取り付けがないものもあります。

MACHINES OF SOME SERIAL NO. ARE NOT EQUIPPED WITH THESE PARTS.

TM-ZE500 41050501196A FRAME/HOOK-IN,MANUAL VALVE
PY2000230-06 OPTIONS (ZE500STD)

指示番号 KEY NO.	部品名称 PART NAME	備考 REMARK
1	ロックASSY LOCK ASSY	ジャッキインターロック (H・HR・PH・PHR用)
2	ロックASSY LOCK ASSY	ジャッキインターロック (HE・HRE・HREN・PHE・PHRE・PHREN用)
5	ハイセンASSY ELEC.ASSY	非常スイッチ追加 (両側対応) (P仕様除く)
6	オペ . ASSY, ソウサバ ^レ ルフ ^レ OPE . ASSY, CONT . VALVE	両側ジャッキレバー (U社配列共通) (H・HR・HE・HRE・HREN用)
8	ラジ ^コ ンASSY RADIO CONTROLLER ASSY	既納車ラジコン (MH用)
9	ラジ ^コ ンASSY RADIO CONTROLLER ASSY	既納車ラジコン (MHU用)
10	マウントASSY MOUNT ASSY	メガ式ガバナ車用エンジンコントロール (ZE500STDP以外), 適合製番: ~#PA0156
11	マウントASSY MOUNT ASSY	メカ式ガバナ車用エンジンコントロール (ZE500STDP), 適合製番: ~#PA0156
12	マウントASSY MOUNT ASSY	4速電磁バルブ (ラジコン操作) ボデースライドおよびセルフウィンチ用, 適合製番: ~#PA0156
14	アウトリカ ^ア ASSY, リヤ OUTRIGGER ASSY, REAR	手動バルブ 回転格納式 ジャッキストローク330mm (低床車用)
15	セイノウメイバ ^ン PERFORMANCE DATA	全周同一 和文性能銘板 (C性能) ZE503
16	フレームASSY FRAME ASSY	関電工向け キャブバックアウトリガ S13B017
17 ↓ N/A	オペ . ASSY, ソウサバ ^レ ルフ ^レ OPE . ASSY, CONT . VALVE	両側ジャッキレバー (S13B040対応)
18	ロックASSY LOCK ASSY	ホースフリージャッキインターロック (H・HR用)
19	ロックASSY LOCK ASSY	ホースフリージャッキインターロック (HE・HRE・HREN用)
20	マウントASSY MOUNT ASSY	メカ式ガバナ車用エンジンコントロール (ZE500STDP以外), 適合製番: #PA0157~#PA962
21	マウントASSY MOUNT ASSY	メカ式ガバナ車用エンジンコントロール (ZE500STDP), 適合製番: #PA0157~#PA962

適用製造番号によっては取り付けがないものもあります。

MACHINES OF SOME SERIAL NO. ARE NOT EQUIPPED WITH THESE PARTS.

TM-ZE500 41050501196A FRAME/HOOK-IN,MANUAL VALVE

Pos No.	Parts No	Parts Name	Qty	Unit	Technical Data	Serial No (Start)
2	(*****)	ELEC.ASSY (B00M ELEVATING/FRAME)	1			
3	(*****)	ELEC.ASSY (POST/ELEVATING STOWING SW)	1			
4	(*****)	ELEC.ASSY (CARRIER/ALARM)	1			
6	(*****)	PLATE ASSY,NAME (BOOM,ELEV. STOWING FAILURE)	1			

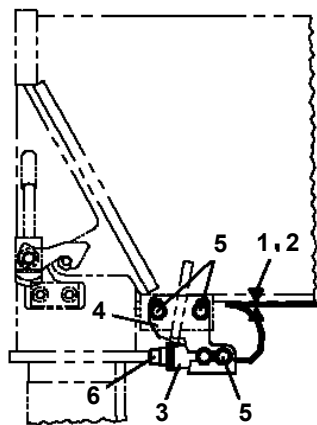
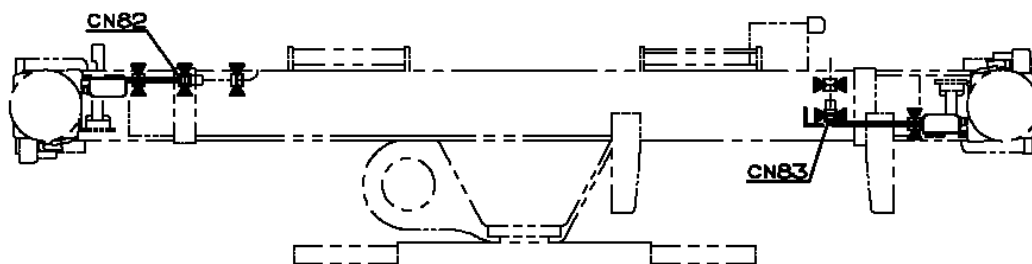
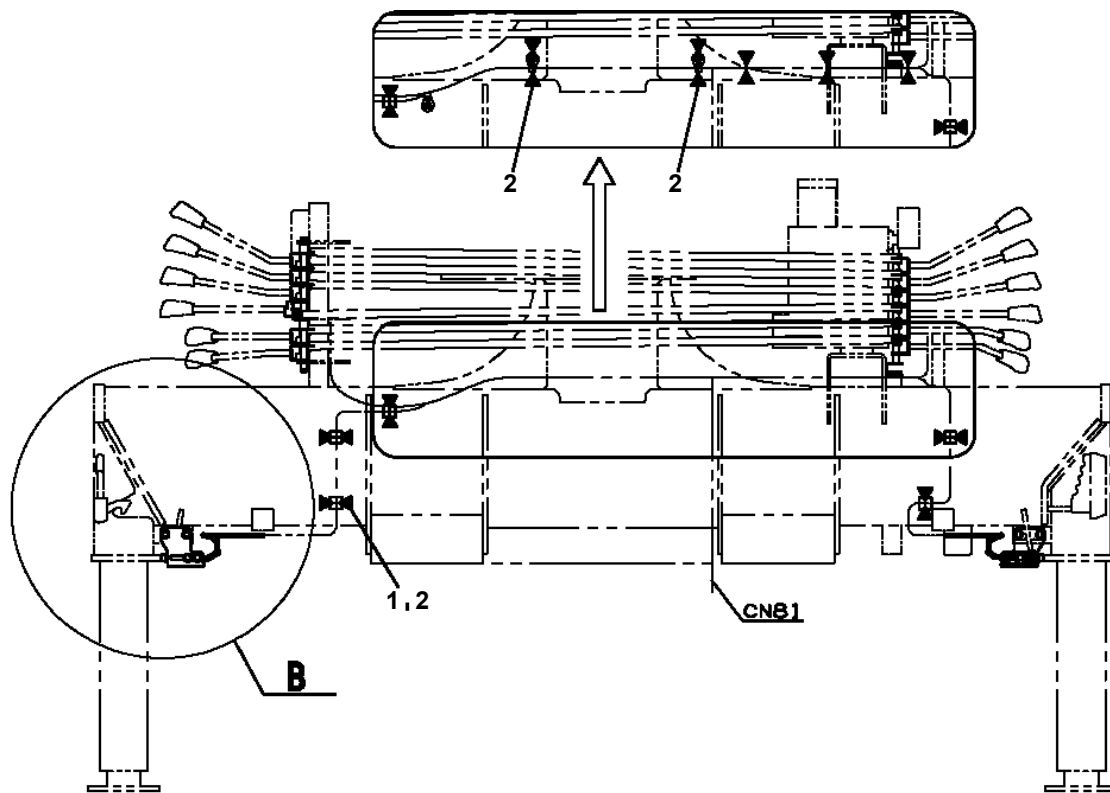
**TM-ZE500 41050501196A FRAME/HOOK-IN,MANUAL VALVE
PY5170038-03 ALARM ASSY (ELEVATION STOWING REMINDER)**

<p>指示番号 KEY NO.</p>	<p>ZE250, ZE260, ZE290, ZE300, ZE360: アラームASSY (キフクカクノウラスレケイホウ/H, HR, HRE, HRES) ALARM ASSY (ELEVATION STOWING REMINDER/H, HR, HRE, HREN)</p> <p>ZE500: アラームASSY (キフクカクノウラスレケイホウ/H, HR, HE, HRE, HREN) ALARM ASSY (ELEVATION STOWING REMINDER/H, HR, HE, HRE, HREN)</p>
<p>.2 ↓ N/A</p>	<p>ハイセンASSY (キフク, フレームフ) ELEC.ASSY (BOOM ELEVATING, FRAME)</p>
<p>.3</p>	<p>ハイセンASSY (カソウシヤリヨウフ /アラーム) ELEC.ASSY (CARRIER/ALARM)</p>
<p>5</p>	<p>プレートASSY, ネーム PLATE ASSY, NAME</p>
<p>.6</p>	<p>ハイセンASSY (キユウハーネスヘンカンヨウ) ELEC.ASSY (HARNESS)</p>

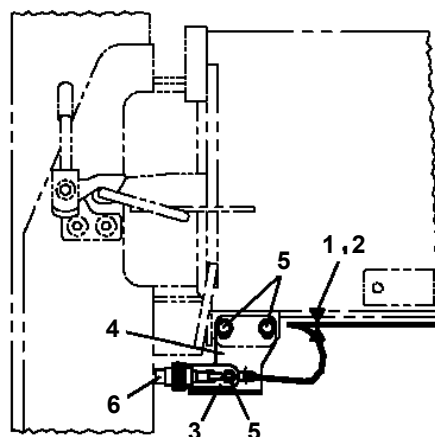
適用製造番号によっては取り付けがないものもあります。

MACHINES OF SOME SERIAL NO. ARE NOT EQUIPPED WITH THESE PARTS.

**TM-ZE500 41050501196A FRAME/HOOK-IN, MANUAL VALVE
 PY5170057-02 ALARM ASSY (OUTRIGGER)**



(STD機の場合)
 (STD TYPE)



(SL機の場合)
 (SL TYPE)

B

**TM-ZE500 41050501196A FRAME/HOOK-IN,MANUAL VALVE
 PY5170069-00 ALARM ASSY(BOOM LOWERING & OUTRIGGER STOWING REMINDER)**

アラームASSY (キック,アウトリカ カクノウワスレガイホウ)
 ALARM ASSY (BOOM LOWERING & OUTRIGGER STOWING REMINDER)

指示番号 KEY NO.	部品名称 PART NAME	備考 REMARK
1	アラームASSY ALARM ASSY	アウトリカ 部
2	ハイセンASSY ELEC.ASSY	ブーム部 (フレーム)
3	ハイセンASSY ELEC.ASSY	架装車両部
5	プレートASSY,ネーム PLATE ASSY,NAME	ブーム・アウトリカ 格納忘れ警報装置付

適用製造番号によっては取り付けがないものもあります。

MACHINES OF SOME SERIAL NO. ARE NOT EQUIPPED WITH THESE PARTS.

販売部品 検討中につき、イラストはありません。

Parts for sale : Under consideration now.
Therefore not illustrated.

CLICK HERE TO **DOWNLOAD** THE COMPLETE MANUAL

- Thank you very much for reading the preview of the manual.
- You can download the complete manual from: www.heydownloads.com by clicking the link below



- Please note: If there is no response to CLICKING the link, please download this PDF first and then click on it.

CLICK HERE TO **DOWNLOAD** THE COMPLETE MANUAL