

TM-ZE500 41050504644A FRAME/HOOK-IN (G)

PB0000331-00 SYSTEM (ZE500SL,EXPORT)

ASSEMBLY

CLICK HERE TO **DOWNLOAD** THE COMPLETE MANUAL

- Thank you very much for reading the preview of the manual.
- You can download the complete manual from: www.heydownloads.com by clicking the link below



- Please note: If there is no response to CLICKING the link, please download this PDF first and then click on it.

CLICK HERE TO **DOWNLOAD** THE COMPLETE MANUAL

TM-ZE500 41050504644A FRAME/HOOK-IN (G)

Pos No.	Parts No	Parts Name	Qty	Unit	Technical Data	Serial No (Start)	Serial No (End)	Rema
2	36101895020	BREATHER ASSY (OB-10B)	1					
3	36102485010	GAUGE,OIL	1					
4	36102075020	PLUG	1					
5	91803880070	CLIP	2		D=13.1-16.2			
10	36102075030	WASHER,SEAL	1					
31	53156005010	ELEMENT (OB-10T & OB-10B)	1					
33	36101895030	RETAINER ASSY	1					
50	36102290000	TANK,OIL	1					

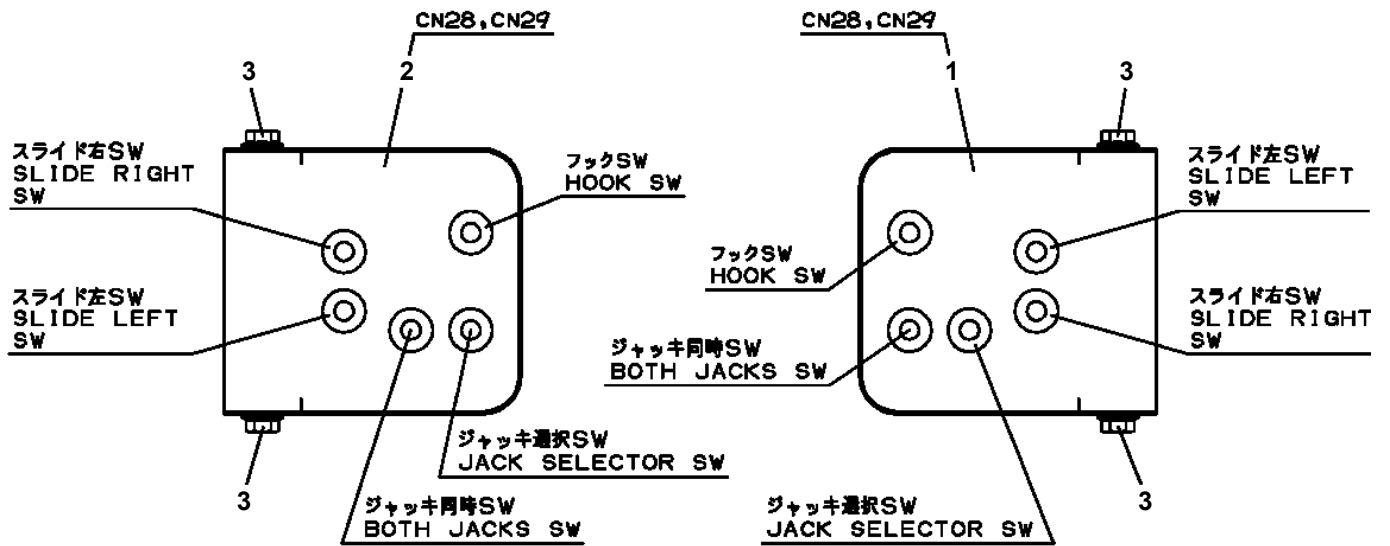
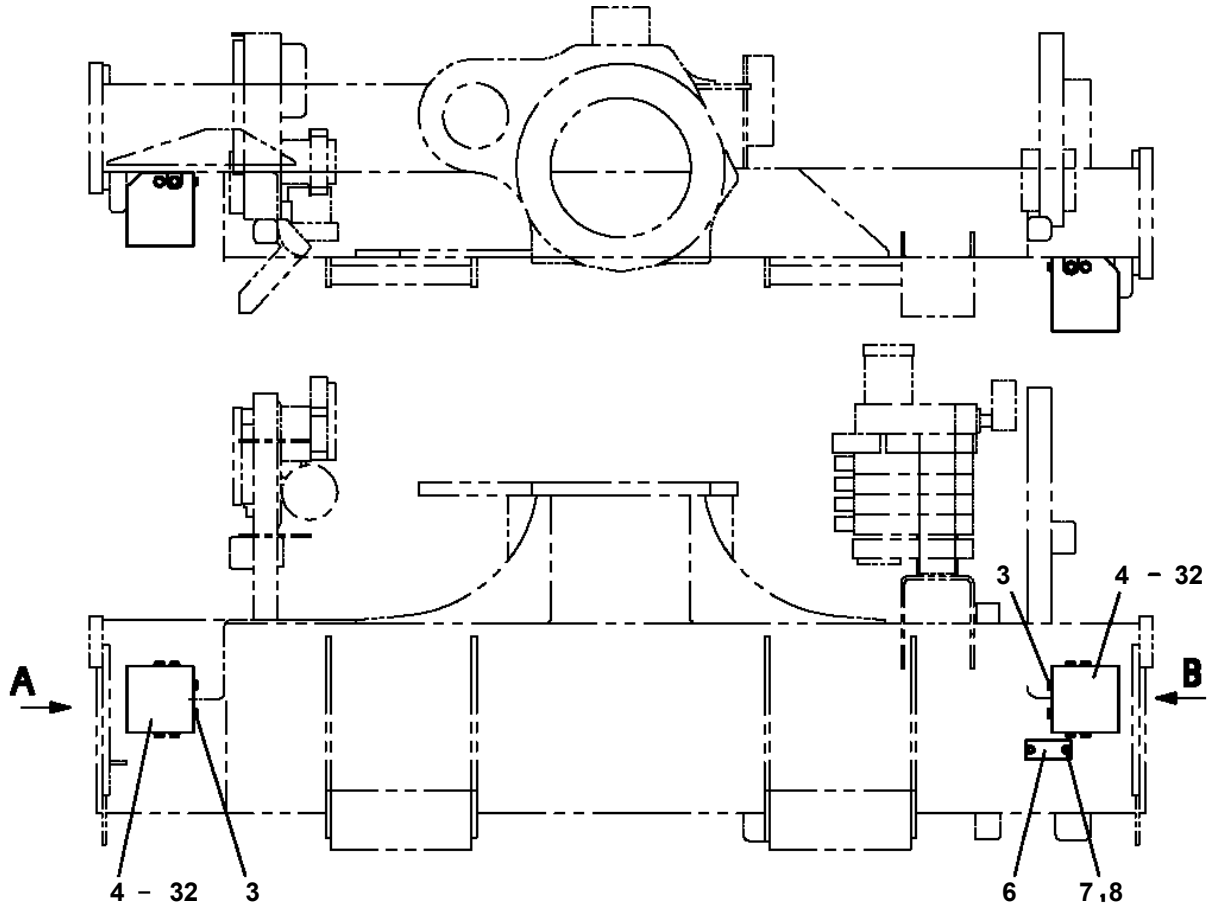
TM-ZE500 41050504644A FRAME/HOOK-IN (G)

Pos No.	Parts No	Parts Name	Qty	Unit	Technical Data	Serial No (Start)	Serial No (End)	Remarks
1	90172110065	BOLT,HEXAGON SOCKET	4		M10X65			
2	36624690000	VALVE,PILOT CHECK	1					
3	36034570000	CYLINDER ASSY,JACK	1					

TM-ZE500 41050504644A FRAME/HOOK-IN (G)

Pos No.	Parts No	Parts Name	Qty	Unit	Technical Data	Serial No (S
1	36042141000	CYLINDER (RIGHT)	1			
2	90201201800	NUT	1		M18	
3	91100104000	SEAL,RING	1			
4	36043560100	PISTON	1			
5	36043652001	ROD	1			
6	36041541000	COVER,ROD	1			
7	91002803900	O-RING	1		1B P39	
8	91694003000	PACKING	1			
9	91411203001	RING,BACKUP	1			
10	91660003001	SEAL,DUST	1			
11	91002802000	O-RING	1		1B P20	
40	36043569900	PACKING SET	1		30X40	
100	36043650000	CYLINDER ASSY,EXTENSION (RIGHT/FRICTION-WELDED)	1			

TM-ZE500 41050504644A FRAME/HOOK-IN (G)
 PE5021034-00 ELEC.ASSY (SWITCH)



A
 車両右側フレーム部スイッチ
 SWITCH ON THE RIGHT SIDE OF
 CARRIER FRAME

B
 車両左側フレーム部スイッチ
 SWITCH ON THE LEFT SIDE OF
 CARRIER FRAME

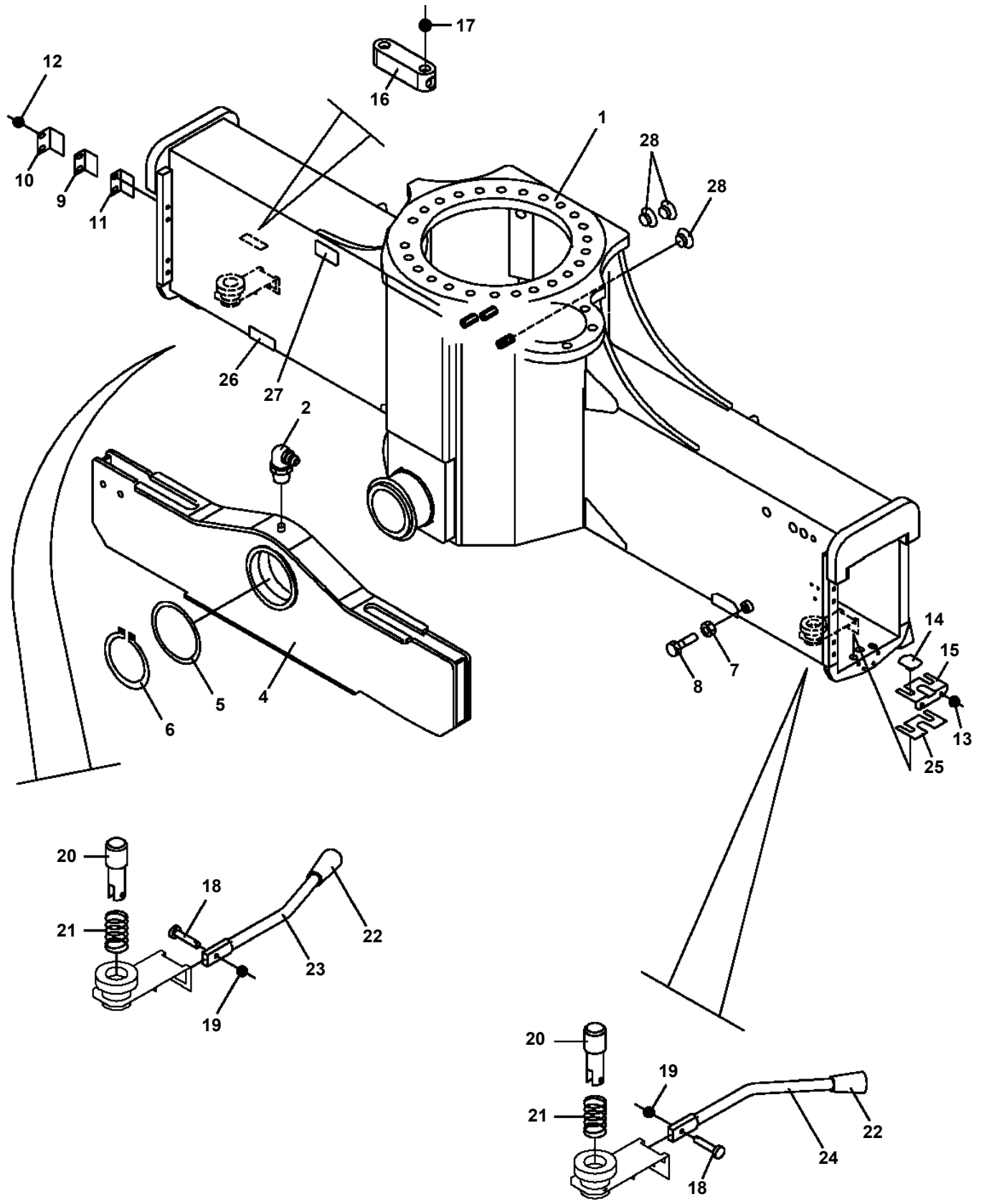
TM-ZE500 41050504644A FRAME/HOOK-IN (G)

Pos No.	Parts No	Parts Name	Qty	Unit	Technical Data	Serial No (Start)	Serial No (End)	Remarks
26	80500006215	BEARING,BALL	2					
27	91002926000	O-RING	1		1B G260			
28	80561100120	NUT	1		AN12			
29	80562100120	WASHER,PLAIN	1		AW12			
30	80500006212	BEARING,BALL	1					
31	36072805020	SEAL,OIL	1					
32	36072805040	SPRING	1					
33	80560006000	BALL,STEEL	1		6			
34	36072805080	SEAL,OIL	1					
35	36072805050	BEARING	1					
36	36072805060	BEARING	1					
37	91002910000	O-RING	2		1B G100			
38	91002908500	O-RING	1		1B G85			
39	36072805070	SPRING	1					
40	50737400030	BREATHER,AIR	1					
41	90101212025	BOLT	8		M12X25			
42	90101210020	BOLT	4		M10X20			
43	80601110300	RING,RITAINING	1		S30			
44	90172110070	BOLT,HEXAGON SOCKET	4		M10X70			
45	90172110040	BOLT,HEXAGON SOCKET	4		M10X40			
46	90151200160	BOLT,EYE	1		M16			
47	80316030080	PLUG	1		PT1/2			
48	80316030040	PLUG	2		PT1/4			
49	90101208015	BOLT	2		M8X15			
50	90101206015	BOLT	4		M6X15			
51	91002907500	O-RING	1		1B G75			
52	36072805030	SEAL,OIL	1					
53	91206060001	SEAL,OIL	1					
55	90172208030	BOLT,HEXAGON SOCKET	6					
56	90302040801	WASHER,SPRING	2		8			
57	91002801400	O-RING	1		1B P14			
100	36072800000	WINCH (SELF)	1					

TM-ZE500 41050504644A FRAME/HOOK-IN (G)

Pos No.	Parts No	Parts Name	Qty	Unit	Technical Data	Serial No (Start)	Serial No (End)	Remarks	Pages
1	53037260000	HOOK	1						000027
2	83151211401	CLIP	1						
3	83151111401	CLIP	1						
4	37001806200	ROPE,WIRE	1		14X30M				
5	37002600230	WEDGE	1		14				

TM-ZE500 41050504644A FRAME/HOOK-IN (G)
 PF5100325-01 FRAME ASSY



展開図有
 ILLUSTRATED BREAKDOWN NO. 1

TM-ZE500 41050504644A FRAME/HOOK-IN (G)

Pos No.	Parts No	Parts Name	Qty	Unit	Technical Data	Serial No (Start)	Serial No (End)	Remarks	Pages
1	31659040200	HARNESS	1						

TM-ZE500 41050504644A FRAME/HOOK-IN (G)

Pos No.	Parts No	Parts Name	Qty	Unit	Technical Data	Serial No (Start)	Serial No (End)	Remarks
7	36642765050	O-RING	1					
8	36642765060	WASHER (CENTER)	2					
10	91000501200	O-RING	4					
13	36643435020	SPRING	2					
14	36642765070	PLUG	1					
31	36741765010	NUT	1					
32	36741765020	O-RING	1					
33	36649995020	CORE ASSY (SOLENOID)	1					
34	36643435040	PIN,SPRING	4					
35	36648475110	O-RING	1					
41	36644965010	O-RING	1					
44	36741765040	COIL,SOLENOID	1					
50	36645920000	VALVE,SOLENOID	1					

TM-ZE500 41050504644A FRAME/HOOK-IN (G)

Pos No.	Parts No	Parts Name	Qty	Unit	Technical Data	Serial No (Start)	Serial No (End)	Remarks
4	36671025020	GASKET	1					
10	36672590000	FILTER,OIL (CARTRIDGE)	1					

TM-ZE500 41050504644A FRAME/HOOK-IN (G)

Pos No.	Parts No	Parts Name	Qty	Unit	Technical Data	Serial No (Start)	Serial No (End)	Remarks	Pages
1	31270643200	COVER	2						
2	90186208014	BOLT,FLANGE	8		M8X14				
3	31270212000	CAP	2						
4	31270643300	PLATE	1						
5	90280200800	NUT,FLANGE	1		M8				

CLICK HERE TO **DOWNLOAD** THE COMPLETE MANUAL

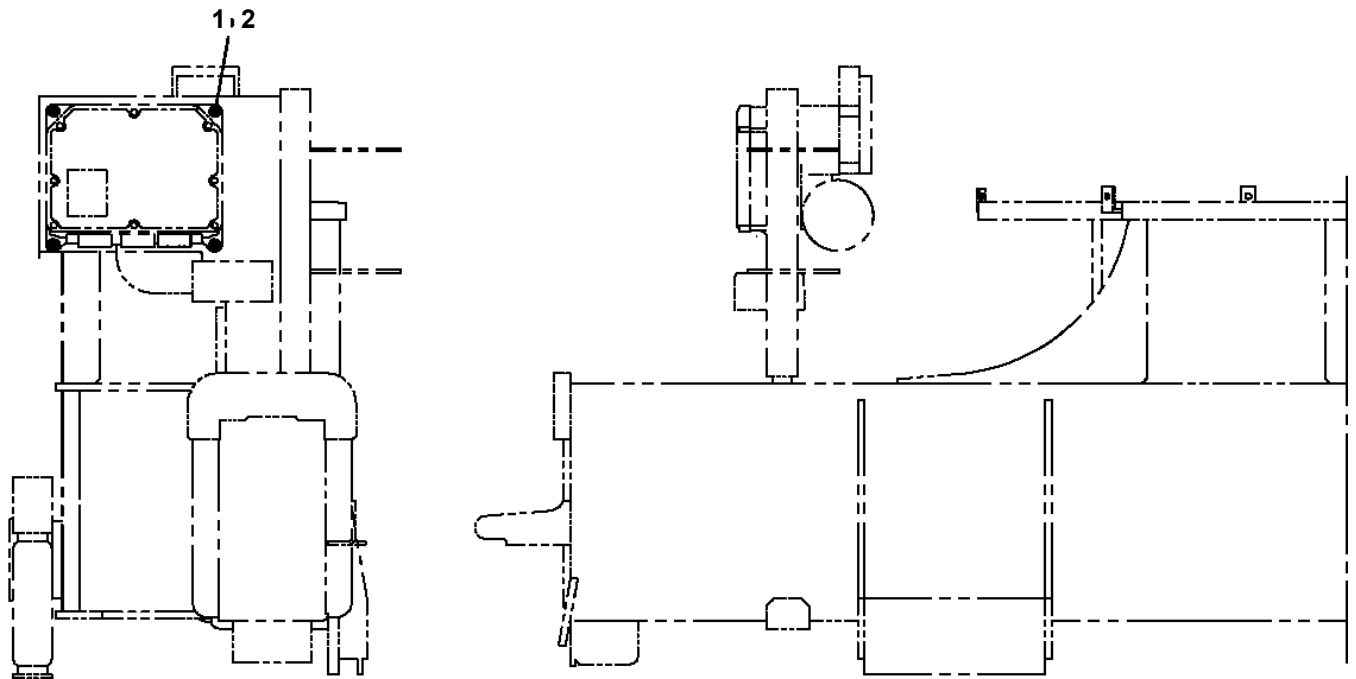
- Thank you very much for reading the preview of the manual.
- You can download the complete manual from: www.heydownloads.com by clicking the link below



- Please note: If there is no response to CLICKING the link, please download this PDF first and then click on it.

CLICK HERE TO **DOWNLOAD** THE COMPLETE MANUAL

TM-ZE500 41050504644A FRAME/HOOK-IN (G)
PN1014534-00 ELEC.ASSY (MOUNT CONTROL UNIT)



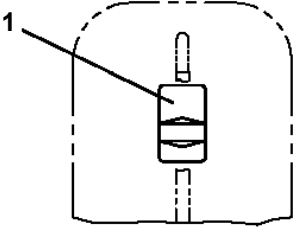
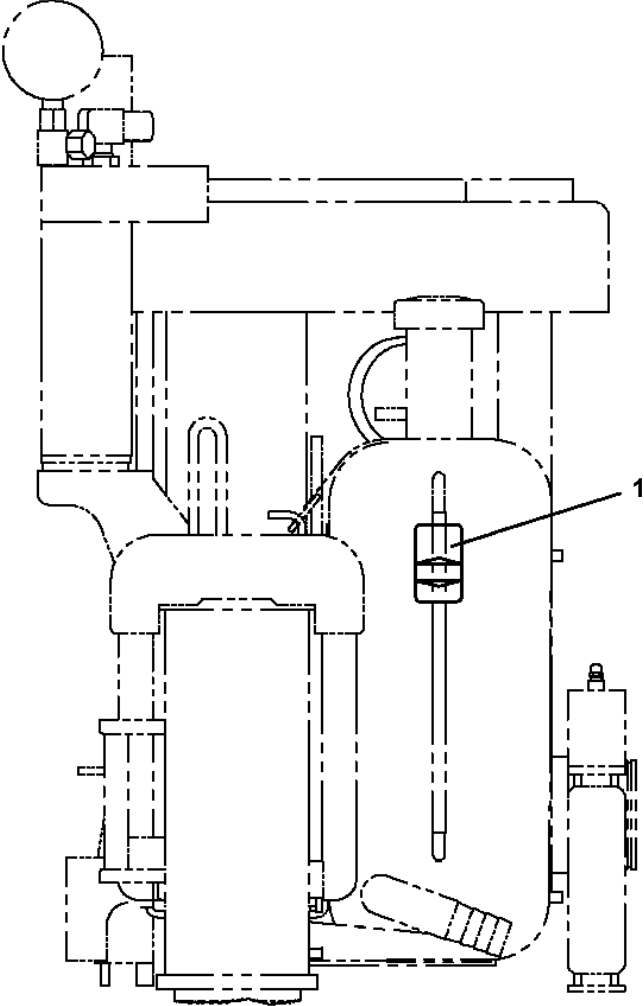
TM-ZE500 41050504644A FRAME/HOOK-IN (G)

Pos No.	Parts No	Parts Name	Qty	Unit	Technical Data	Serial No (Start)	Serial No (End)	Remarks
1	31652991700	PLUG (4-POLES,FEMALE)	1					
2	91810130240	FASTENER	1					
3	91850310405	CLAMP (BLACK)	1					

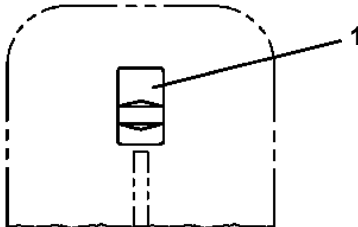
TM-ZE500 41050504644A FRAME/HOOK-IN (G)

Pos No.	Parts No	Parts Name	Qty	Unit	Technical Data	Serial No (Start)	Serial No (End)
1	37002231650	PLATE,CAUTION (HANDLING OF SELF-LOADING)	1				
2	31733663100	PLATE,NAME	1				
3	31733663200	PLATE,NAME	1				

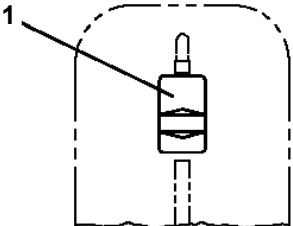
**TM-ZE500 41050504644A FRAME/HOOK-IN (G)
PO1015296-01 PLATE ASSY,NAME (OIL)**



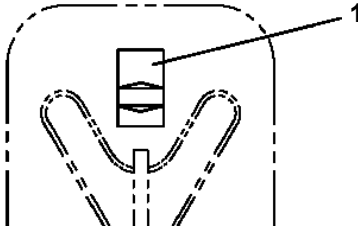
(300 SERIES)



(360 SERIES)



(250,260,290 SERIES)



(500 SERIES)

**TM-ZE500 41050504644A FRAME/HOOK-IN (G)
PO5270278-00 OUTRIGGER ASSY (L=590 ST=1400)**

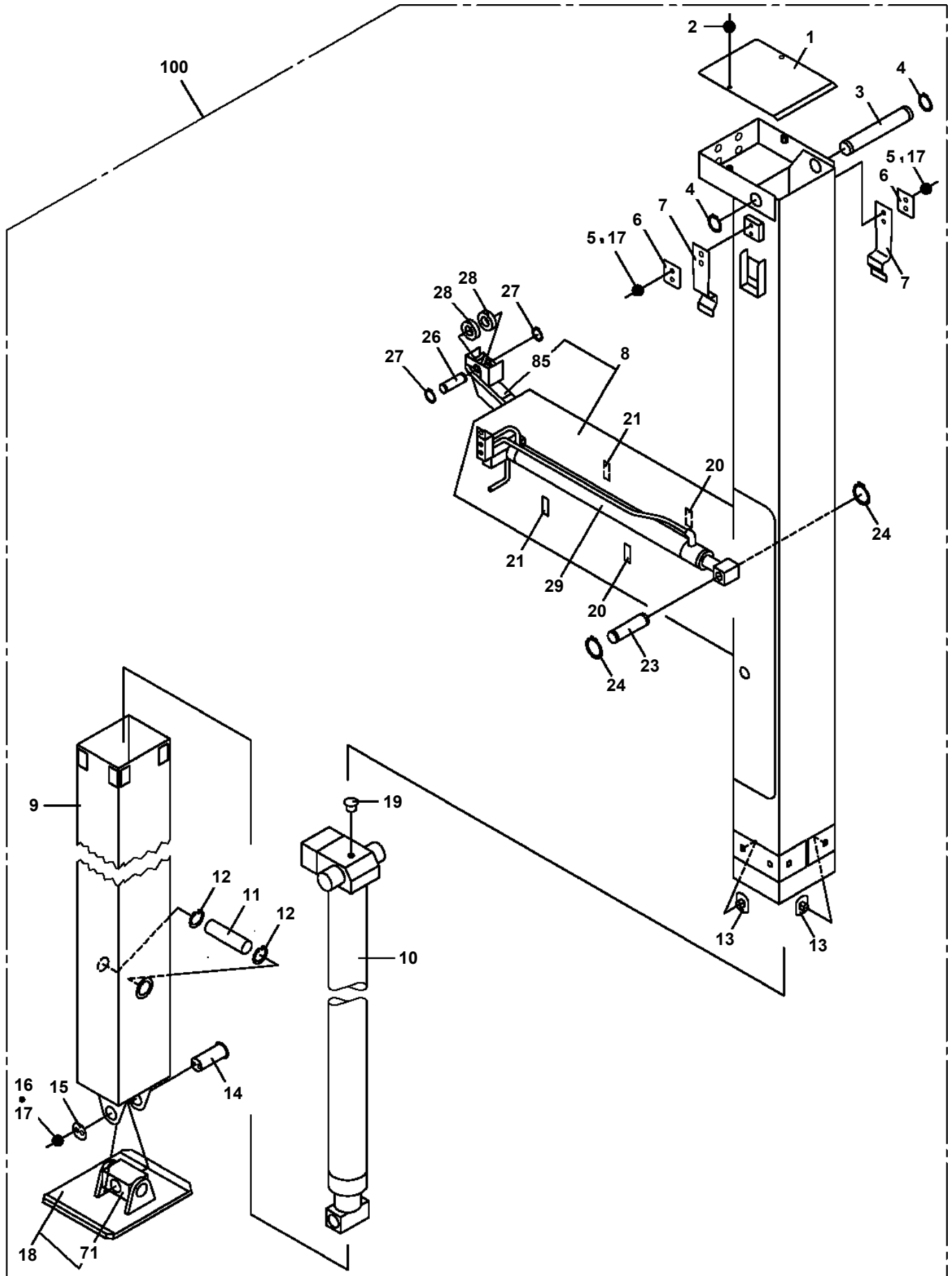
アウトリガ ASSY (L=590 ST=1400)
OUTRIGGER ASSY (L=590 ST=1400)

指示番号 KEY NO.	部品名称 PART NAME	備考 REMARK
1	アウトリガ ASSY OUTRIGGER ASSY	
2	ハイカンASSY,アウトリガ PIPING ASSY,OUTRIGGER	反力検出無し WITHOUT REACTION FORCE DETECTION

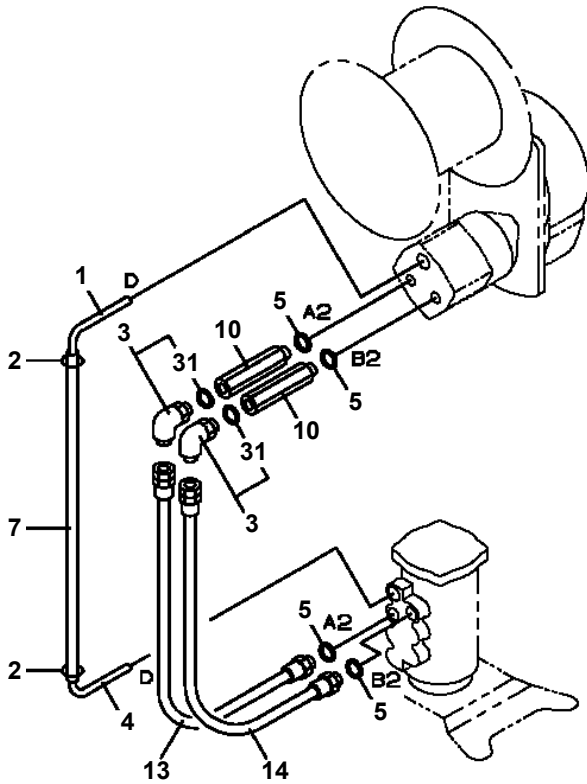
適用製造番号によっては取り付けがないものもあります。

MACHINES OF SOME SERIAL NO. ARE NOT EQUIPPED WITH THESE PARTS.

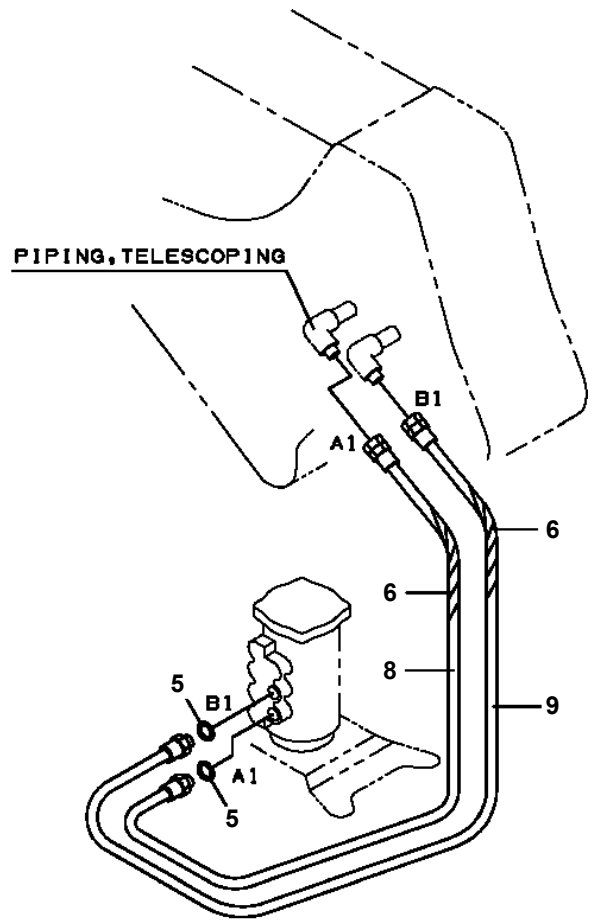
TM-ZE500 41050504644A FRAME/HOOK-IN (G)
PO5270283-00 OUTRIGGER ASSY (LEFT)



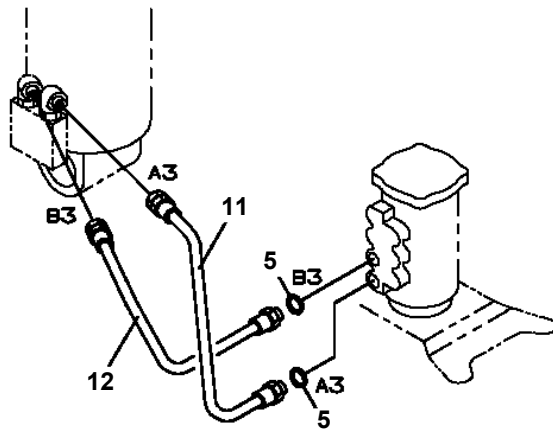
**TM-ZE500 41050504644A FRAME/HOOK-IN (G)
PP6010038-00 PIPING ASSY (UPPER)**



WINCH, DRAIN

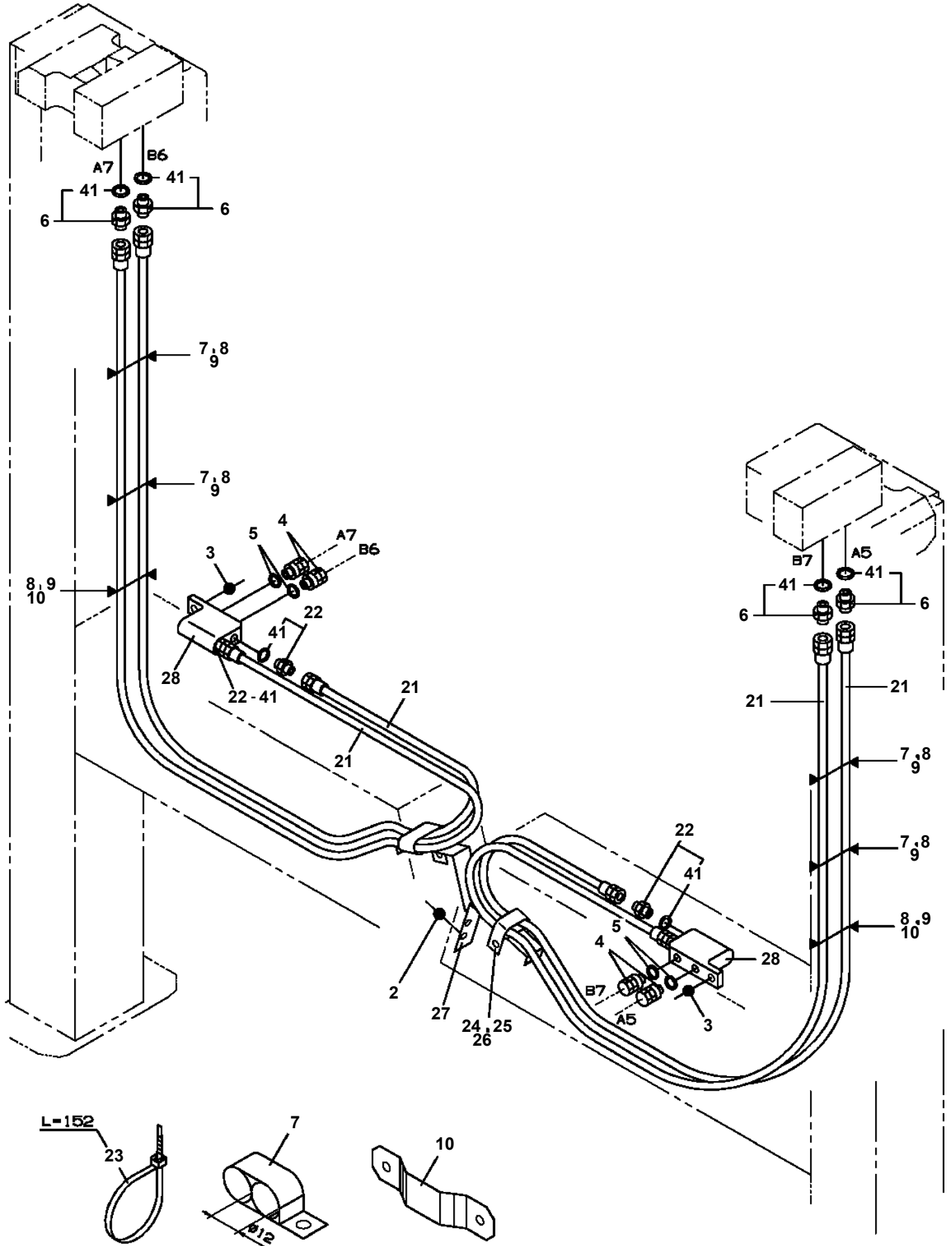


TELESCOPING

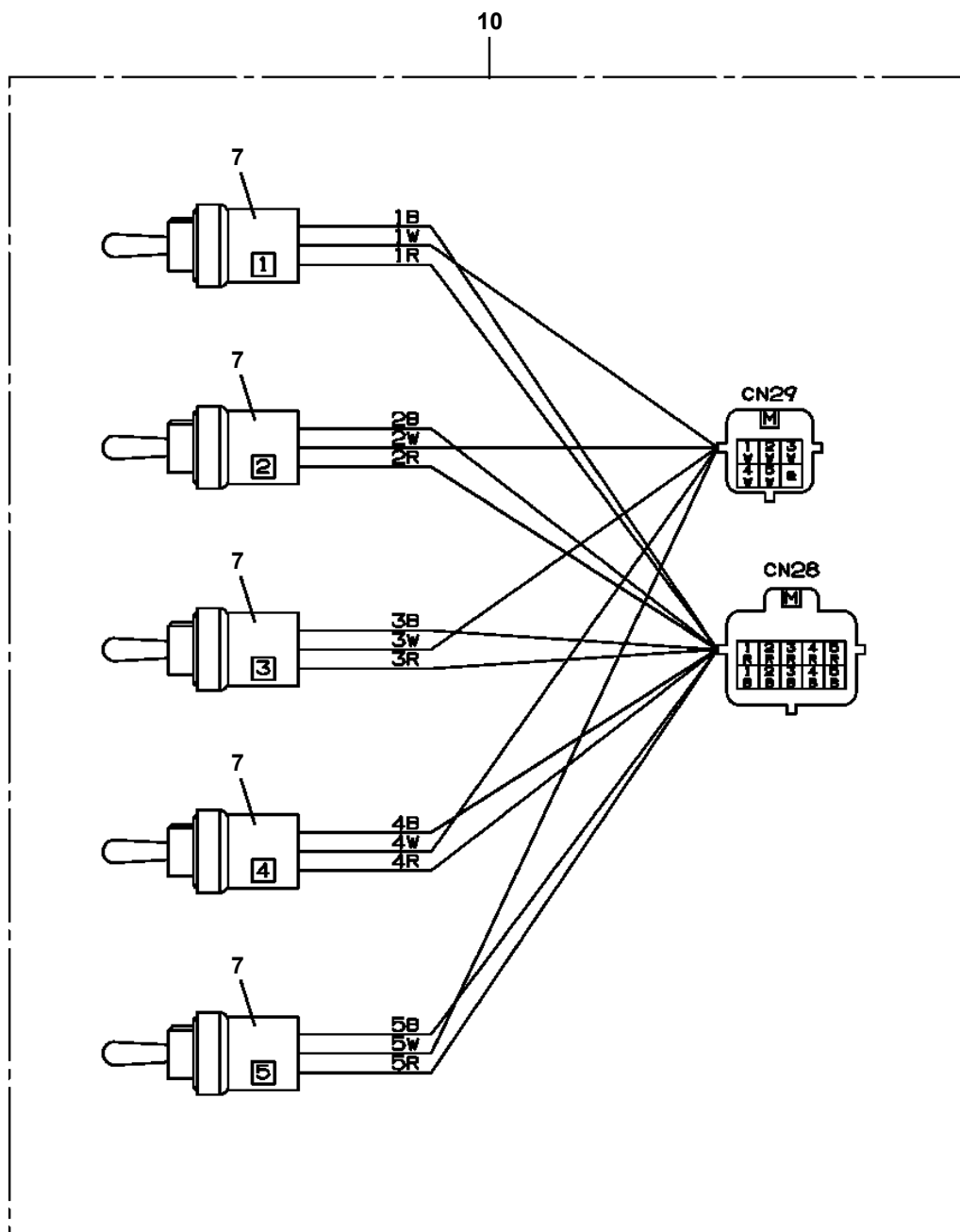


ELEVATING

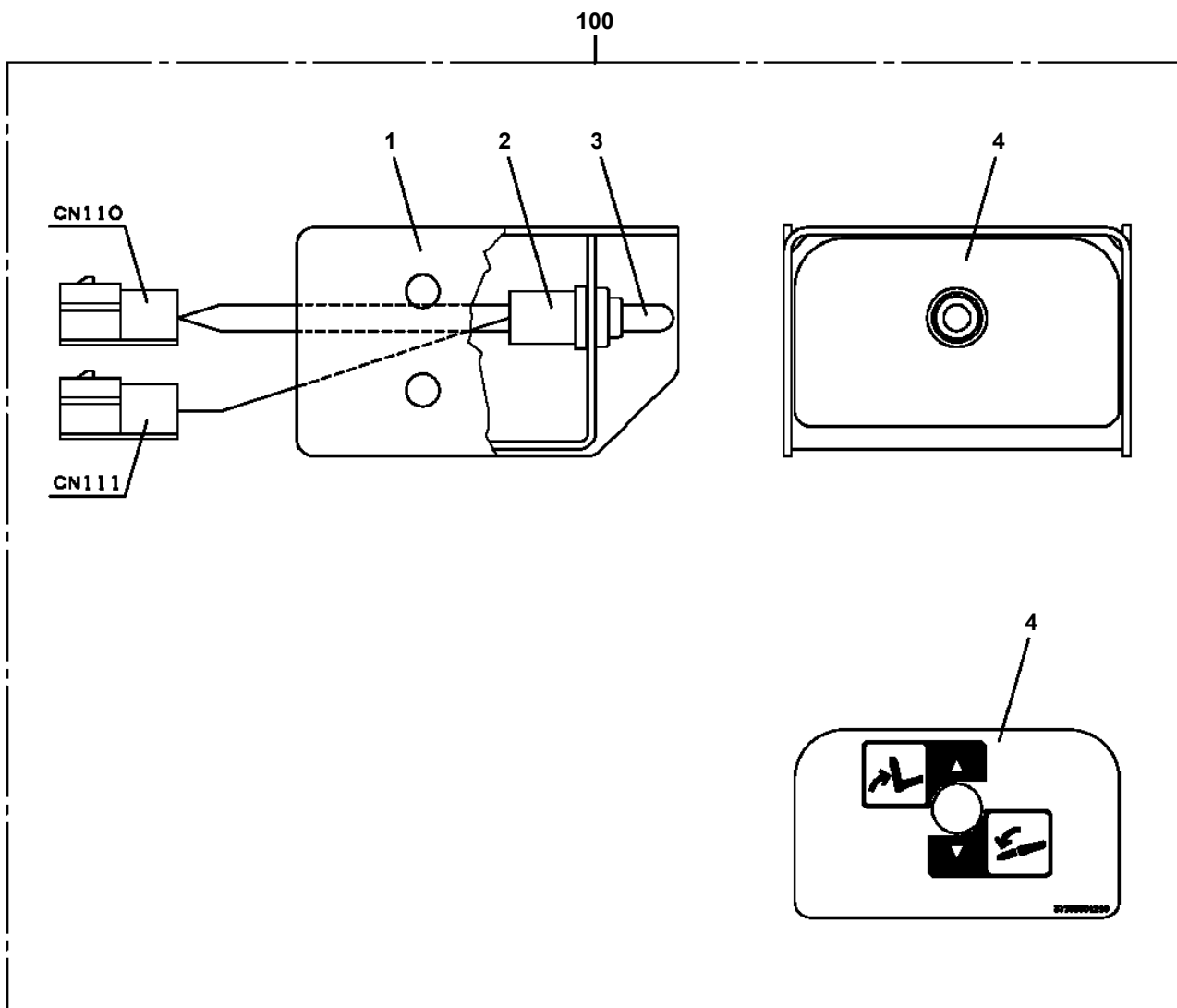
**TM-ZE500 41050504644A FRAME/HOOK-IN (G)
PP6220004-00 PIPING ASSY,OUTRIGGER**



TM-ZE500 41050504644A FRAME/HOOK-IN (G)
PS5530247-00 SWITCH ASSY (WITH HARNESS,5 SW)

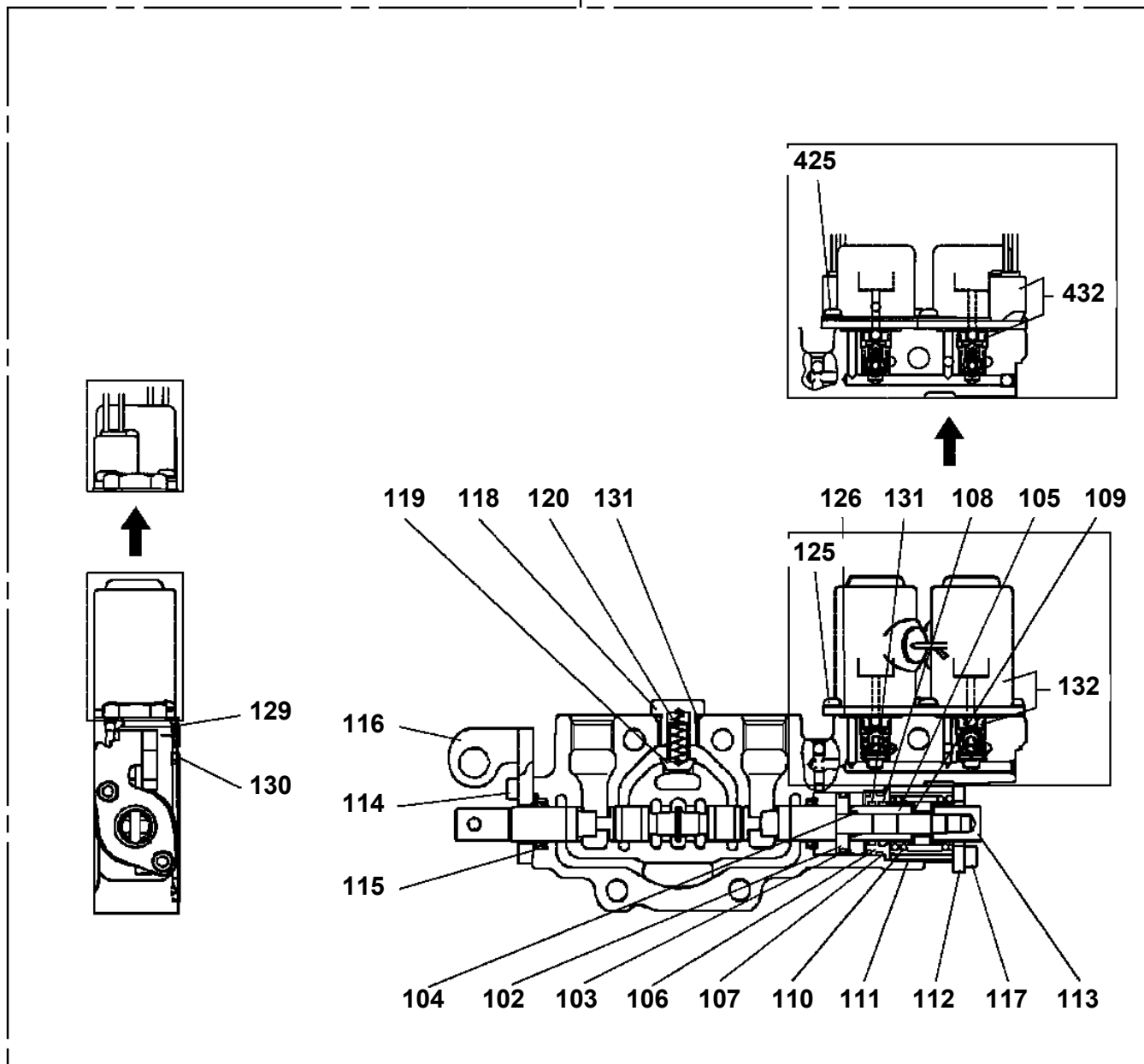


TM-ZE500 41050504644A FRAME/HOOK-IN (G)
PS5530426-00 SWITCH ASSY



TM-ZE500 41050504644A FRAME/HOOK-IN (G)
PV1020384-01 VALVE,REMOTE CONTROL

6

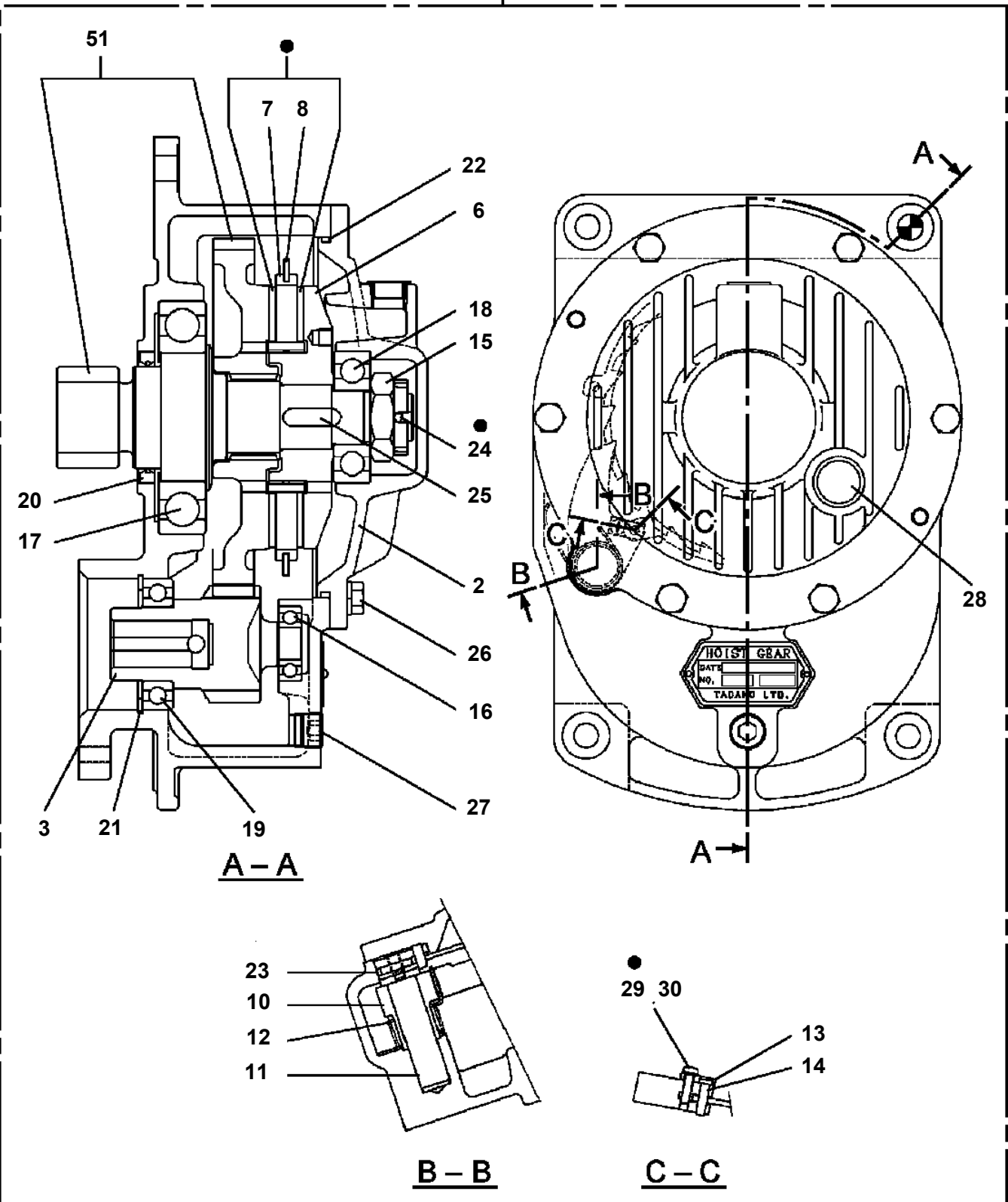


TM-ZE500 41050504644A FRAME/HOOK-IN (G)

Pos No.	Parts No	Parts Name	Qty	Unit	Technical Data	Serial No (Start)	Serial No (End)
1	36806641000	CONTROL UNIT	1				
2	(*****)	ELEC.ASSY (MOUNT CONTROL UNIT)	1				

TM-ZE500 41050504644A FRAME/HOOK-IN (G)
 PW5060005-01 WINCH ASSY (Y.G.TEC)

100



- : FACING KIT KEY NO 101 (JAPANESE)
- : FACING KIT KEY NO. 102 (ENGLISH)
- Protective seal
- Replacement interval name plate

CLICK HERE TO **DOWNLOAD** THE COMPLETE MANUAL

- Thank you very much for reading the preview of the manual.
- You can download the complete manual from: www.heydownloads.com by clicking the link below



- Please note: If there is no response to CLICKING the link, please download this PDF first and then click on it.

CLICK HERE TO **DOWNLOAD** THE COMPLETE MANUAL