

TM-ZE500 41050502015A BOOM/5 SECT.,HOOK-IN

PB0000226-01 SYSTEM (ZE500,DOMESTIC)

ASSEMBLY

CLICK HERE TO **DOWNLOAD** THE COMPLETE MANUAL

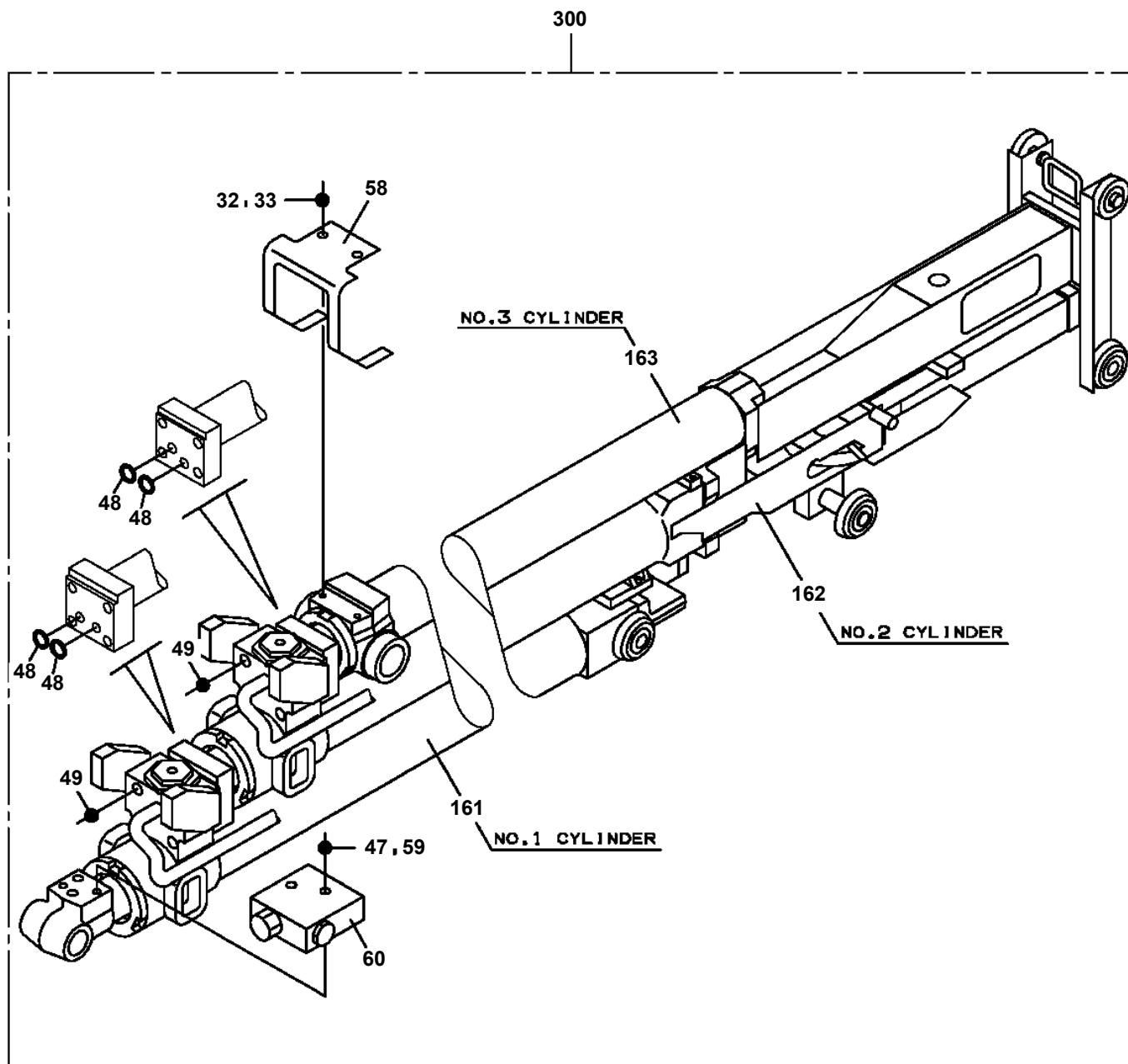
- Thank you very much for reading the preview of the manual.
- You can download the complete manual from: www.heydownloads.com by clicking the link below



- Please note: If there is no response to CLICKING the link, please download this PDF first and then click on it.

CLICK HERE TO **DOWNLOAD** THE COMPLETE MANUAL

TM-ZE500 41050502015A BOOM/5 SECT.,HOOK-IN
PC6470039-00 CYLINDER ASSY,TELESCOPING



展開図有

ILLUSTRATED BREAKDOWN NO. 161 162 : 163 33

TM-ZE500 41050502015A BOOM/5 SECT.,HOOK-IN

Pos No.	Parts No	Parts Name	Qty	Unit	Technical Data	Serial No (Start)	Serial No (End)	Remarks	Pa
1	37000926410	JOINT	2						
3	91002801400	O-RING	2		1B P14				
12	80430620600	JOINT (WITH O-RING)	2		L,G3/8-G3/8				
21	91002801400	O-RING	2		1B P14				

TM-ZE500 41050502015A BOOM/5 SECT.,HOOK-IN
PN5010199-01 NAME PLATE ASSY

ネームプレートASSY
NAME PLATE ASSY

【組立名称一覧】より選択してください。
SEE THE CORRESPONDING "ASSEMBLY NAME" LIST.

TM-ZE500 41050502015A BOOM/5 SECT.,HOOK-IN

Pos No.	Parts No	Parts Name	Qty	Unit	Technical Data	Serial No (Start)	Serial No (End)	Remarks	Page
1	36161625010	PLATE (BASE)	1						
2	36161625020	CASE	1						
11	36132765140	CONTACTOR ASSY	1						
12	36161615050	CONTACTOR ASSY	1						
18	36161615060	WASHER	1						
20	36161495050	LOCK	1						
23	36132385060	CORD (MAIN)	17	M					
24	36132385070	CORD (SUB)	2	M					
51	36132765010	SPRING ASSY	1						
100	36161620002	REEL ASSY,CORD	1						

CLICK HERE TO **DOWNLOAD** THE COMPLETE MANUAL

- Thank you very much for reading the preview of the manual.
- You can download the complete manual from: www.heydownloads.com by clicking the link below



- Please note: If there is no response to CLICKING the link, please download this PDF first and then click on it.

CLICK HERE TO **DOWNLOAD** THE COMPLETE MANUAL