

TM-ZE500 41050501153A FRAME/PRIM ECO

PB000221-01 SYSTEM (ZE500,DOMESTIC)

ASSEMBLY

CLICK HERE TO **DOWNLOAD** THE COMPLETE MANUAL

- Thank you very much for reading the preview of the manual.
- You can download the complete manual from: www.heydownloads.com by clicking the link below

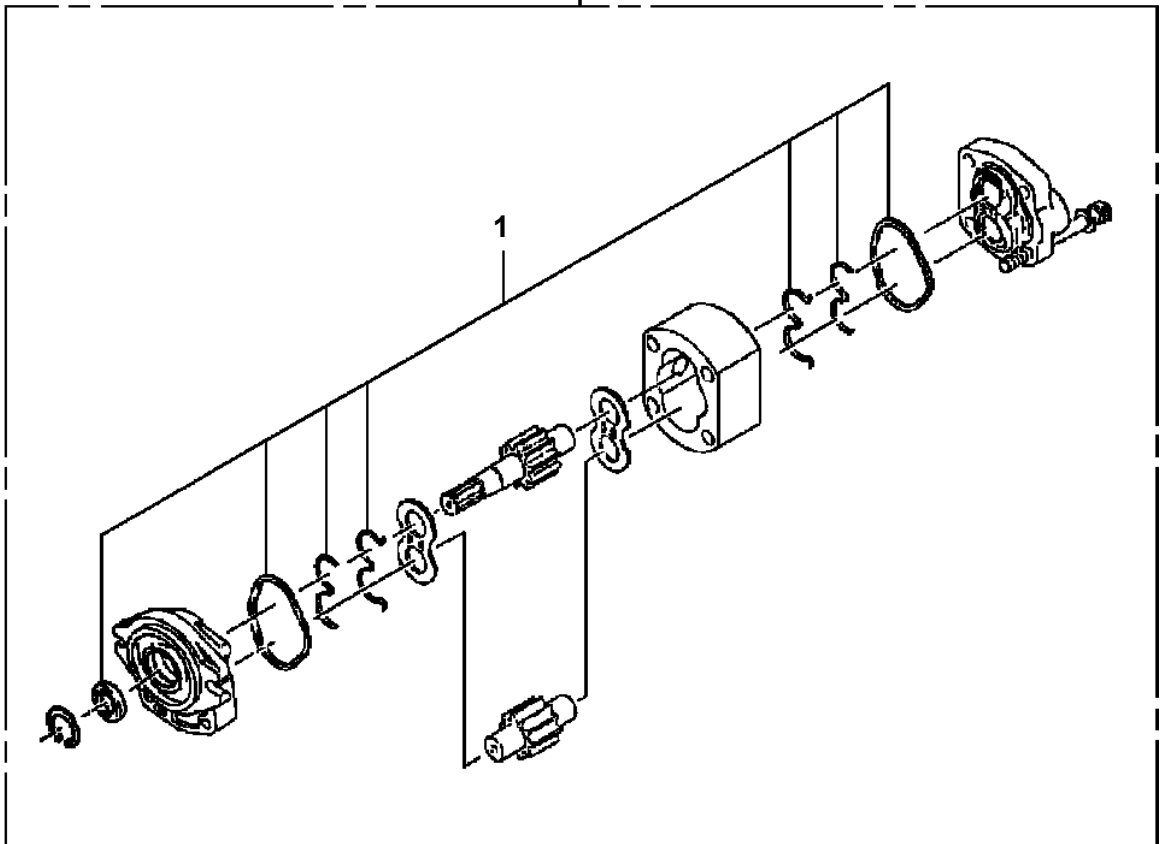


- Please note: If there is no response to CLICKING the link, please download this PDF first and then click on it.

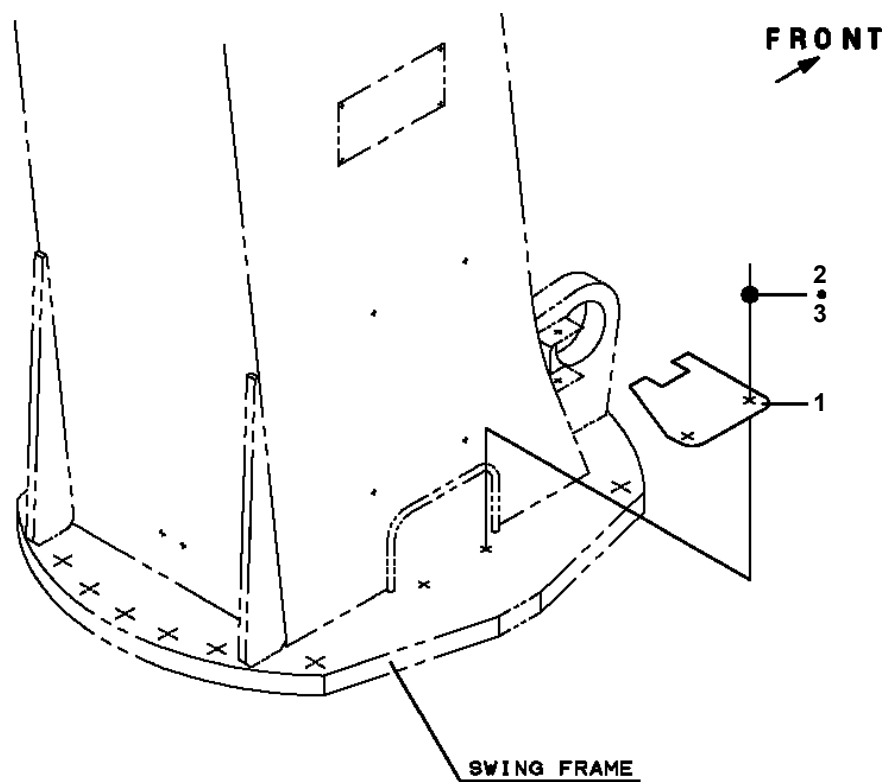
CLICK HERE TO **DOWNLOAD** THE COMPLETE MANUAL

TM-ZE500 41050501153A FRAME/PRIM ECO
PB1100144-02 PUMP, HYDRAULIC (52CC:L)

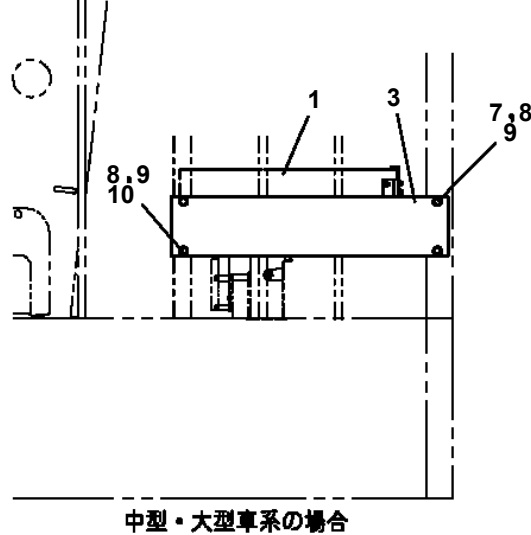
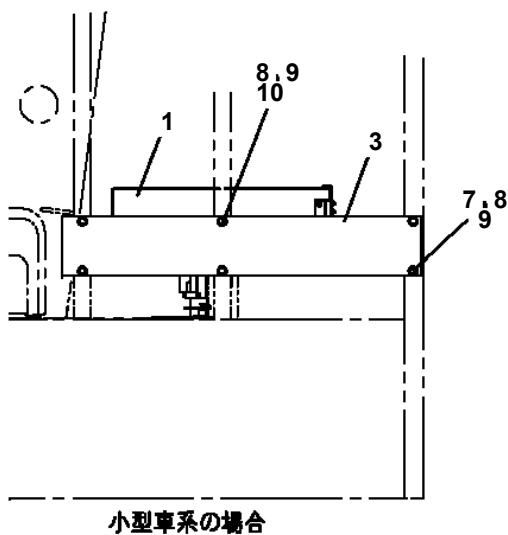
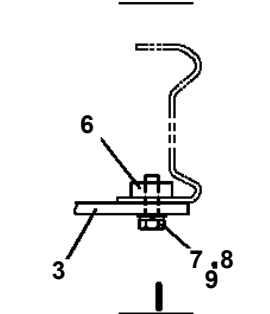
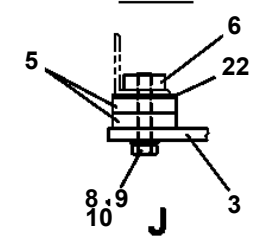
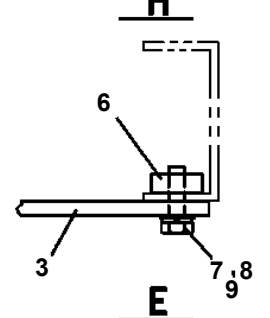
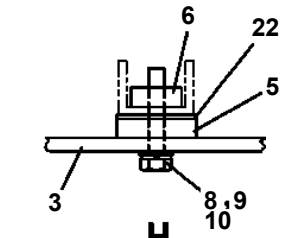
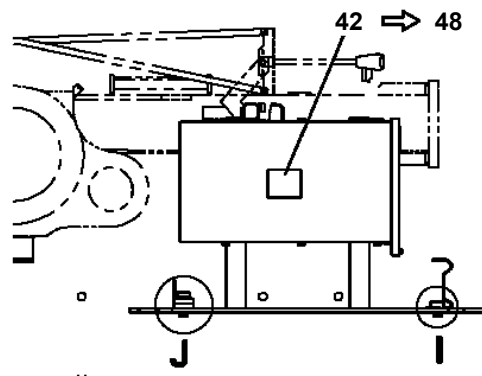
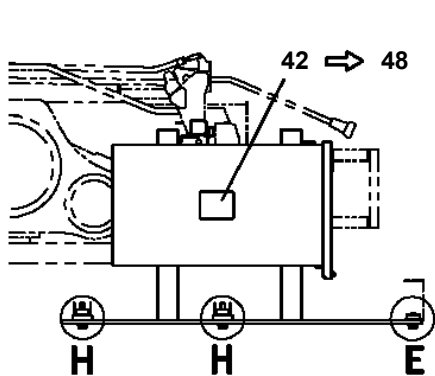
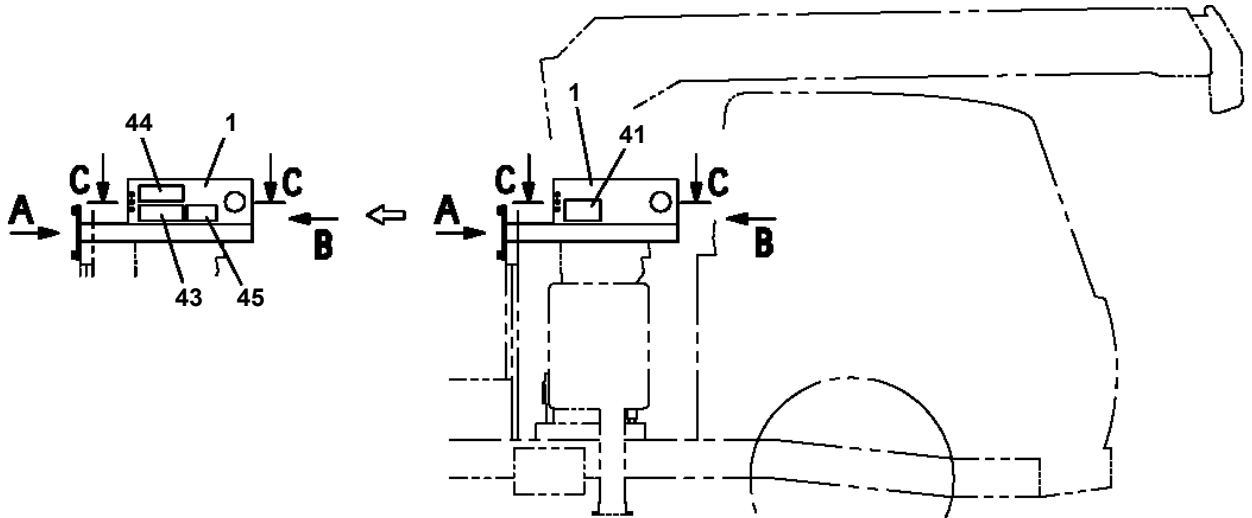
30



TM-ZE500 41050501153A FRAME/PRIM ECO
PB1290013-01 STOPPER,ROTARY JOINT



TM-ZE500 41050501153A FRAME/PRIM ECO
 PB1380332-03 POWER SUPPLY (100V POWER SOURCE/1500W)



小型車系の場合

中型・大型車系の場合

TM-ZE500 41050501153A FRAME/PRIM ECO

Pos No.	Parts No	Parts Name	Qty	Unit	Technical Data	Serial No (Start)	Serial No (End)	Remark
1	36653330000	PUMP,HYDRAULIC (52CC:L)	1					

TM-ZE500 41050501153A FRAME/PRIM ECO

Pos No.	Parts No	Parts Name	Qty	Unit	Technical Data	Serial No (Start)	Serial No (End)
1	36620990000	VALVE,PILOT CHECK	1				
2	90172110035	BOLT,HEXAGON SOCKET	2		M10X35		
3	90172110025	BOLT,HEXAGON SOCKET	4		M10X25		
4	90302041001	WASHER,SPRING	4		10		
5	36032650001	CYLINDER,JACK	1				
11	36032651000	CYLINDER	1				
12	80136363071	PIN,SPLIT	1		6.3X71		
13	37001600000	NUT,CASTLE	1		M36		
14	36032654000	ROD	1				
15	91350207500	BEARING,PLAIN (WITH PACKINGX2)	1				
16	91002803400	O-RING	1		1B P34		
17	36032652000	PISTON	1				
18	36030643000	COVER,ROD	1				
19	91002907000	O-RING	1		1B G70		
20	91694006000	PACKING	1				
21	91410206002	RING,BACKUP	1				
22	36010130030	WASHER	1				
23	91660006000	SEAL,DUST	2				
24	80622000600	RING,RITAINING	1		SP60		
30	36032659900	PACKING SET	1		60X75		

TM-ZE500 41050501153A FRAME/PRIM ECO

Pos No.	Parts No	Parts Name	Qty	Unit	Technical Data	Serial No (Start)	Serial No (End)	Remarks	Pages
11	36806245020	PANEL	1						
900	36806571000	CONTROL UNIT	1						

TM-ZE500 41050501153A FRAME/PRIM ECO

Pos No.	Parts No	Parts Name	Qty	Unit	Technical Data	Serial No (Start)	Serial No (End)
1	82456101000	NIPPLE,GREASE	2		A-PT1/8		
2	37000403110	BEARING,PLAIN	4				
3	36026221000	PISTON	1				
4	91350216000	BEARING,PLAIN (WITH PACKINGX2)	1				
5	91002910500	O-RING	1		1B G105		
6	36028209510	CYLINDER ASSY	1				
7	36026229520	ROD ASSY	1				
8	37000403900	BEARING,PLAIN	1				
9	91002815000	O-RING	1		1B P150		
10	36026469530	COVER,ROD	1				
11	91694111000	PACKING	1				
12	91410211002	RING,BACKUP	1				
13	91660011000	SEAL,DUST	1				
14	80622001100	RING,RITAINING	1		SP110		
15	80612111180	RING,RITAINING	1		AR118		
30	36028209900	PACKING SET	1		110X160		
50	36028200000	CYLINDER ASSY,DERRICK	1				

TM-ZE500 41050501153A FRAME/PRIM ECO

Pos No.	Parts No	Parts Name	Qty	Unit	Technical Data	Serial No (Start)	Serial No (End)	Remark
1	90171110040	BOLT	2		M10X40			
2	90302041001	WASHER,SPRING	2		10			
3	36606510002	VALVE,COUNTERBALANCE	1					
4	36028200000	CYLINDER ASSY,DERRICK	1					
5	82400000459	CAP	2					
6	80430620600	JOINT (WITH O-RING)	2		L,G3/8-G3/8			
21	91002801400	O-RING	2		1B P14			
50	31241460000	DERRICK ASSY	1					

TM-ZE500 41050501153A FRAME/PRIM ECO

Pos No.	Parts No	Parts Name	Qty	Unit	Technical Data	Serial No (Start)	Serial No
1	31362273100	HARNESS	1				
2	36150070000	DETECTOR,LOAD	2				
3	90131506020	BOLT,HEXAGON SOCKET	4		M6X20		
4	36120580000	TRANSMITTER ASSY,SIGNAL (ASSY ONLY)	1				
5	91810130250	FASTENER	11				
6	91850310405	CLAMP (BLACK)	2				
7	90303070601	WASHER,PLAIN	5		6		
8	31361943200	JOINT	1				
9	91002801100	O-RING	2		1B P11		
10	90171110070	BOLT	2		M10X70		
11	90302041001	WASHER,SPRING	2		10		
12	90303071001	WASHER,PLAIN	2		10		
13	82108501340	SWITCH	1				
14	90101206014	BOLT	1		M6X14		
15	80192486014	SCREW,MACHINE (WITH WASHER)	1		M6X14		
16	82100002596	RELAY	1				
17	90280200600	NUT,FLANGE	1		M6		
32	80316030020	PLUG	1		PT1/8		

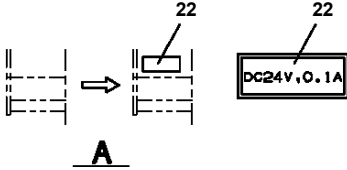
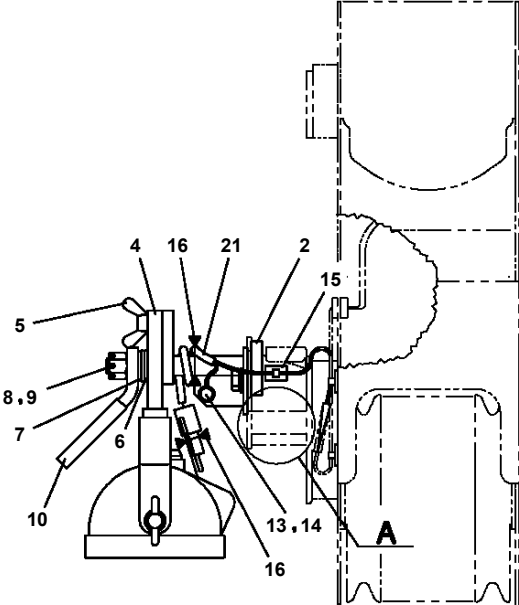
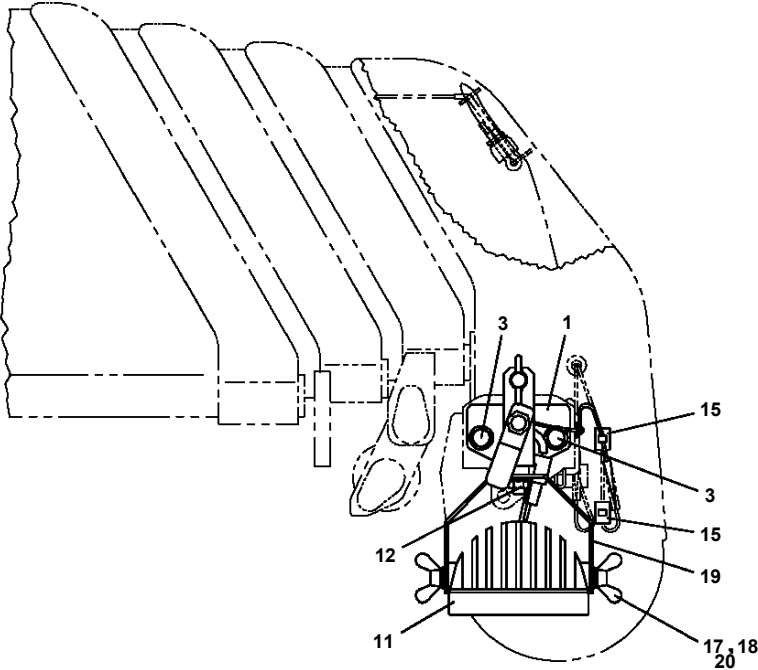
TM-ZE500 41050501153A FRAME/PRIM ECO

Pos No.	Parts No	Parts Name	Qty	Unit	Technical Data	Serial No (Start)	Serial No (End)	Remarks
1	31362353100	HARNESS	1					
2	31731612200	HARNESS	1		L=1450			
4	90186206014	BOLT,FLANGE	2		M6X14			
5	91810130250	FASTENER	18					
6	91850310405	CLAMP (BLACK)	5					
8	31502851200	HARNESS	1		L=310			
27	31476751010	CONNECTOR	1					
31	31656011200	COVER	1					
32	37002227560	PLATE,NAME (BLACK)	3		D=16			
34	90280200600	NUT,FLANGE	1		M6			
53	34354781720	RELAY (WITH HARNESS)	1					
55	80197586012	SCREW,MACHINE	1		M6X12			

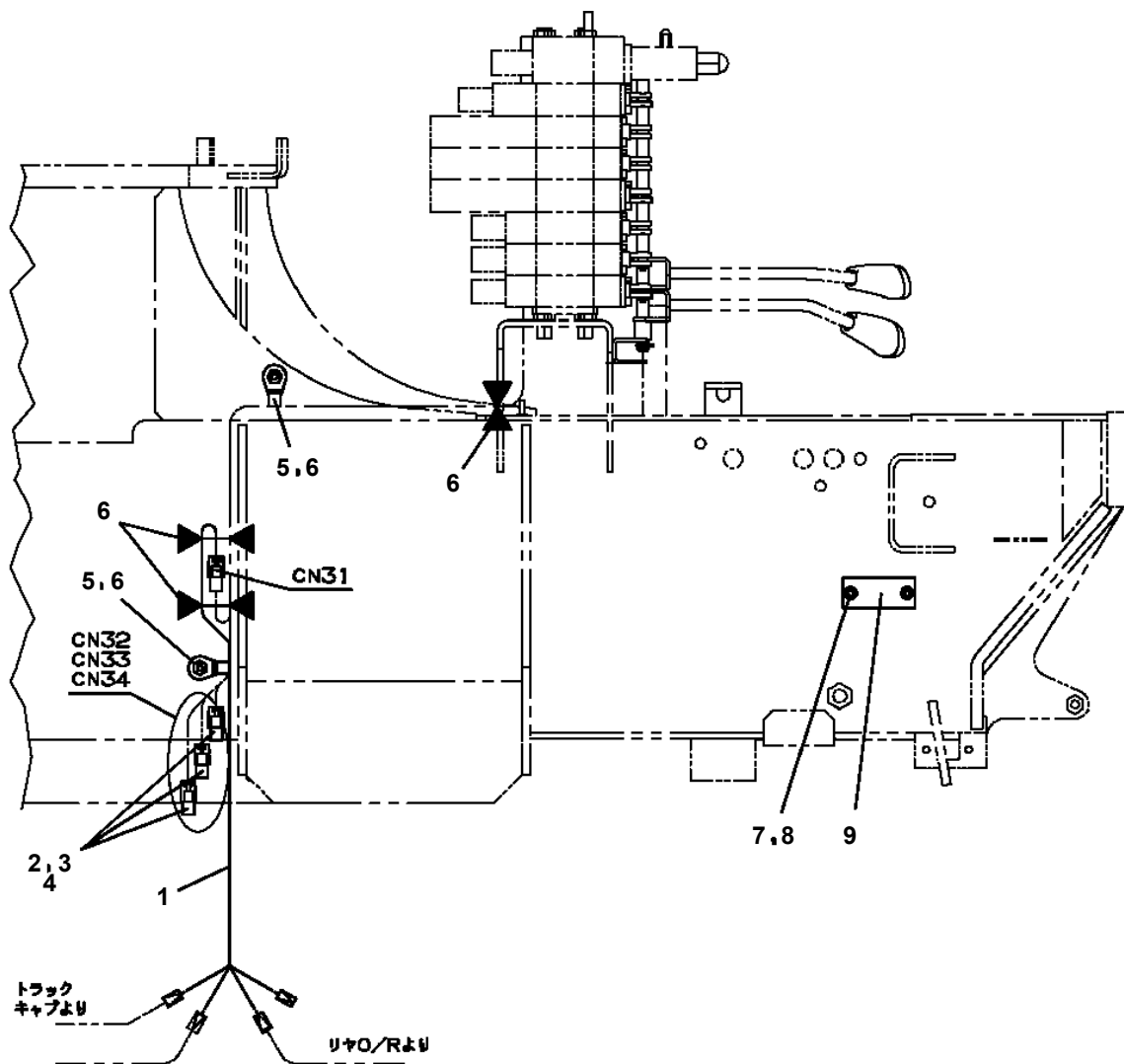
TM-ZE500 41050501153A FRAME/PRIM ECO

Pos No.	Parts No	Parts Name	Qty	Unit	Technical Data	Serial No (Start)	Serial No (End)	Remarks
1	31731831100	HARNESS	1		L=2480			
2	91810130240	FASTENER	10					
3	82100000745	FUSE	1		10A,6.5X30			
4	31477311500	SWITCH ASSY (PANASONIC)	1					
5	31501791200	HARNESS	1					

TM-ZE500 41050501153A FRAME/PRIM ECO
PE5020296-01 ELEC.ASSY (BOOM/LED LAMP)



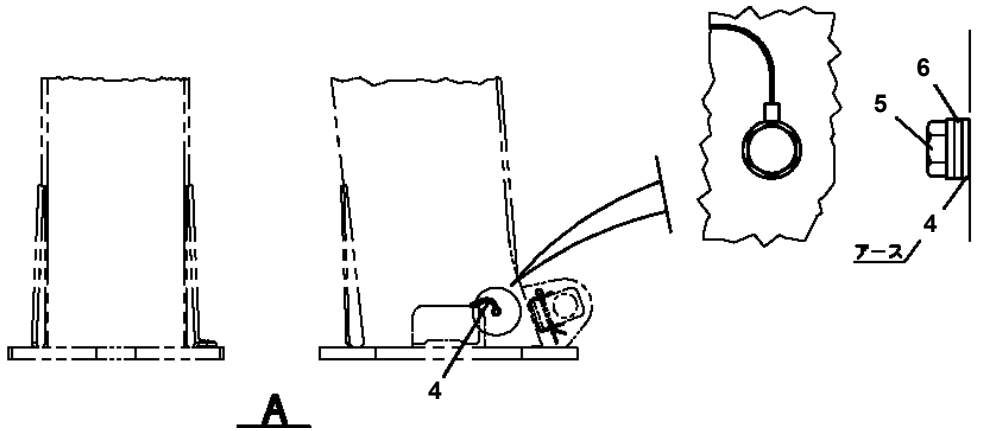
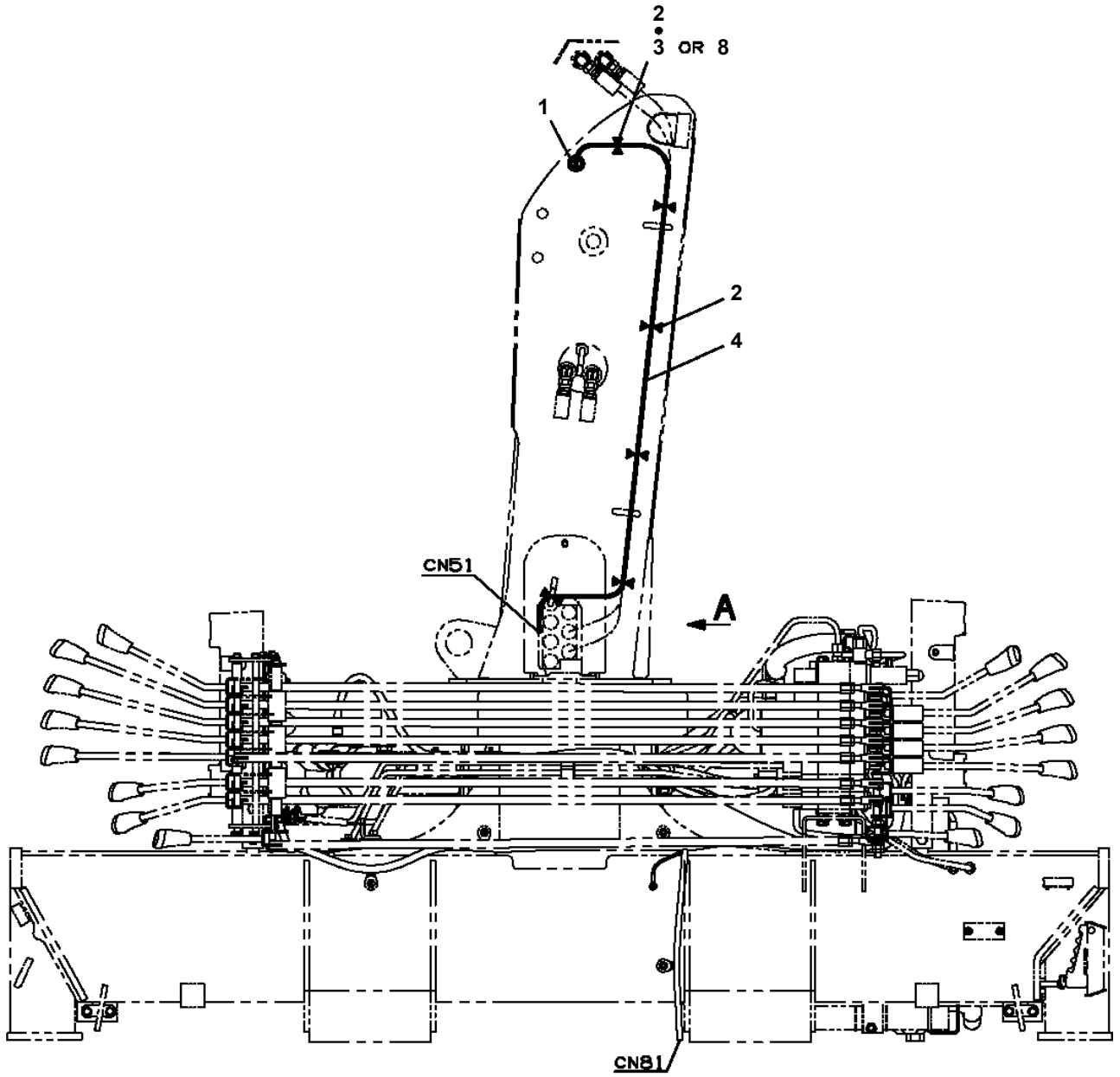
TM-ZE500 41050501153A FRAME/PRIM ECO
PE5020513-00 ELEC.ASSY (MAIN BODY OF CRANE)



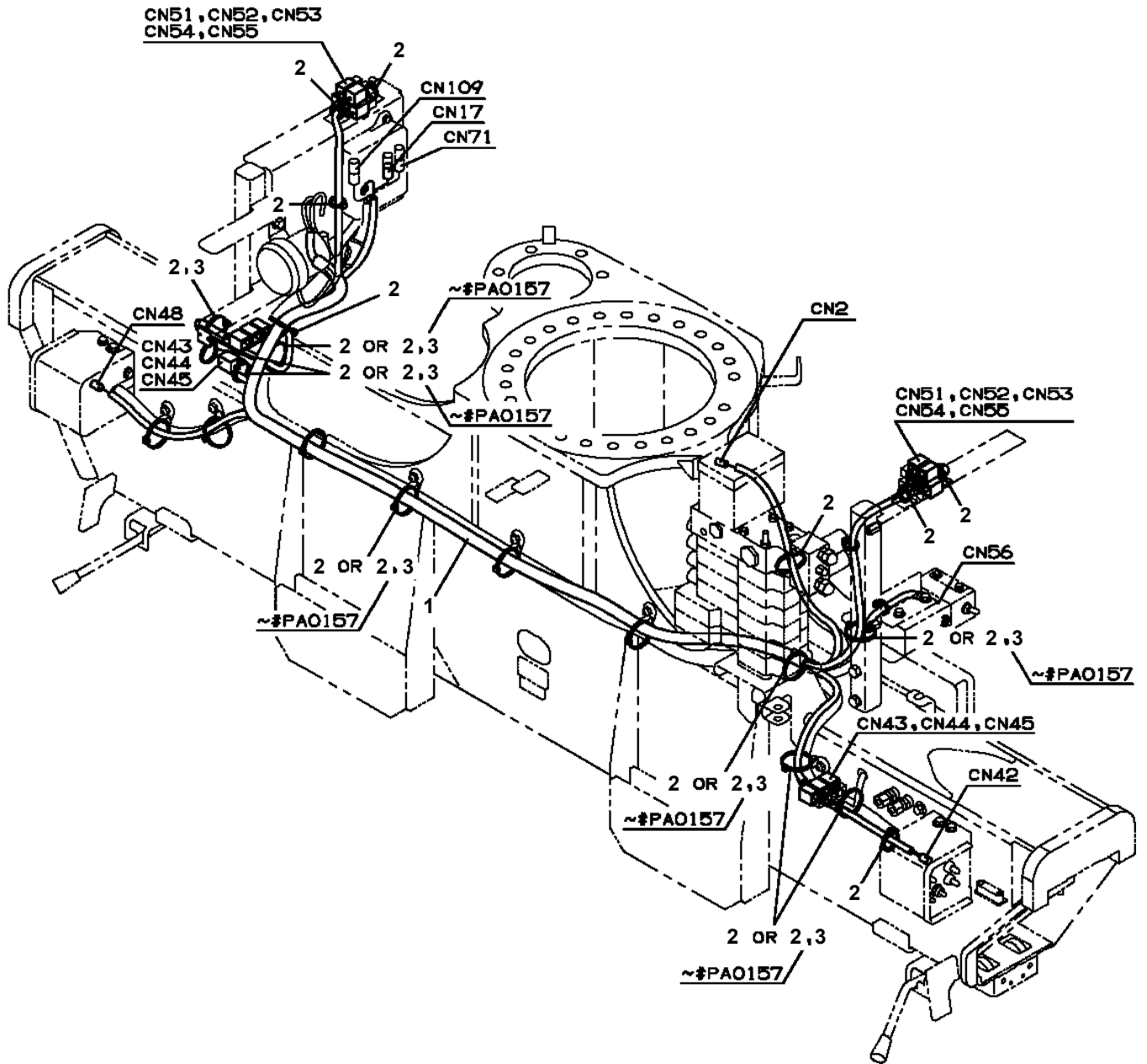
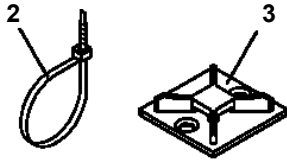
TM-ZE500 41050501153A FRAME/PRIM ECO

Pos No.	Parts No	Parts Name	Qty	Unit	Technical Data	Serial No (Start)	Serial No
1	31362393100	HARNESS	1				
3	90131506020	BOLT,HEXAGON SOCKET	4		M6X20		
4	36120580000	TRANSMITTER ASSY,SIGNAL (ASSY ONLY)	1				
5	91810130250	FASTENER	4				
7	90303070601	WASHER,PLAIN	5		6		
14	90101206014	BOLT	1		M6X14		
16	31504091100	PLUG	2				
17	31652991700	PLUG (4-POLES,FEMALE)	1				
18	31476751010	CONNECTOR	1				

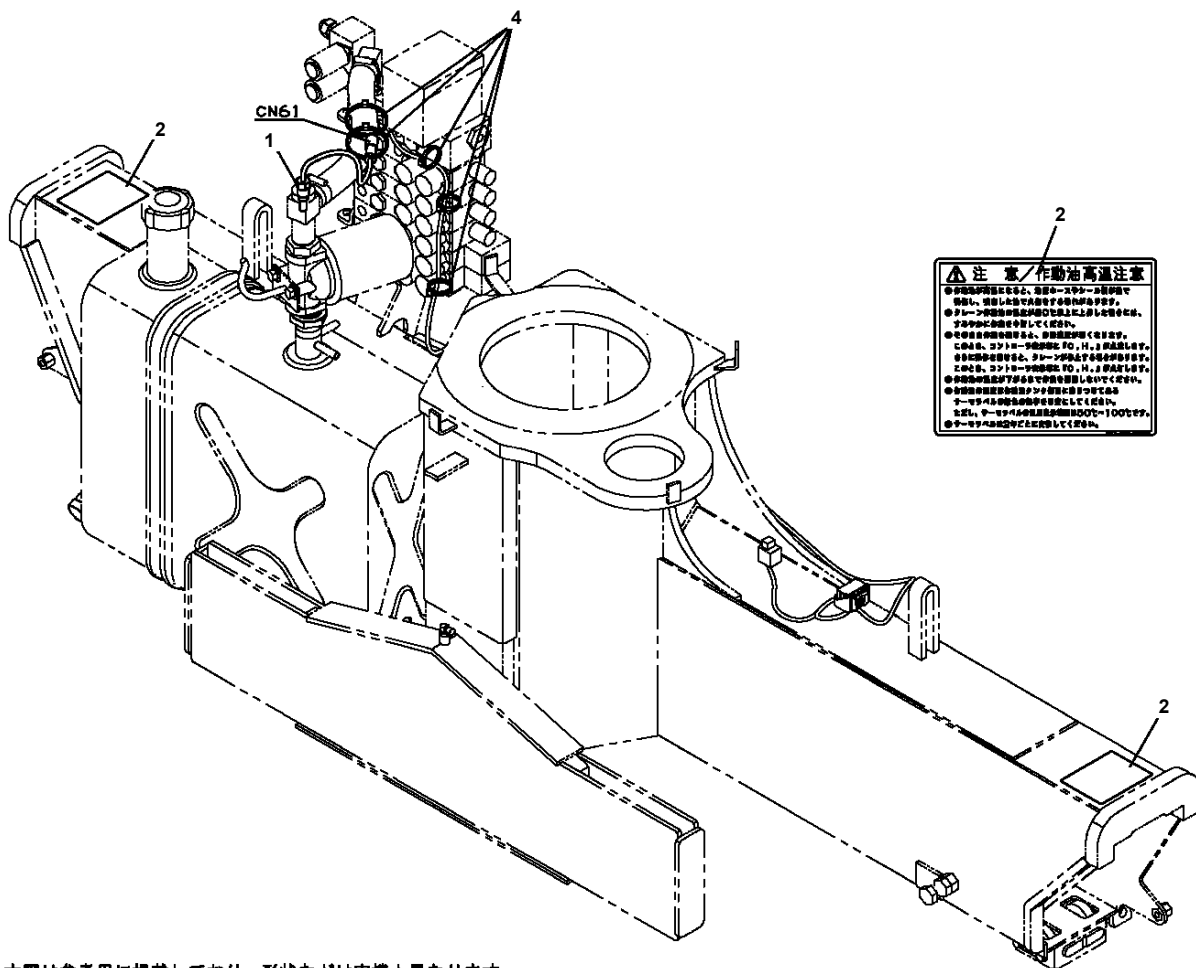
TM-ZE500 41050501153A FRAME/PRIM ECO
PE5020750-00 ELEC.ASSY (FRAME)



TM-ZE500 41050501153A FRAME/PRIM ECO
PE5020804-00 ELEC.ASSY



TM-ZE500 41050501153A FRAME/PRIM ECO
PE5020842-00 ELEC.ASSY



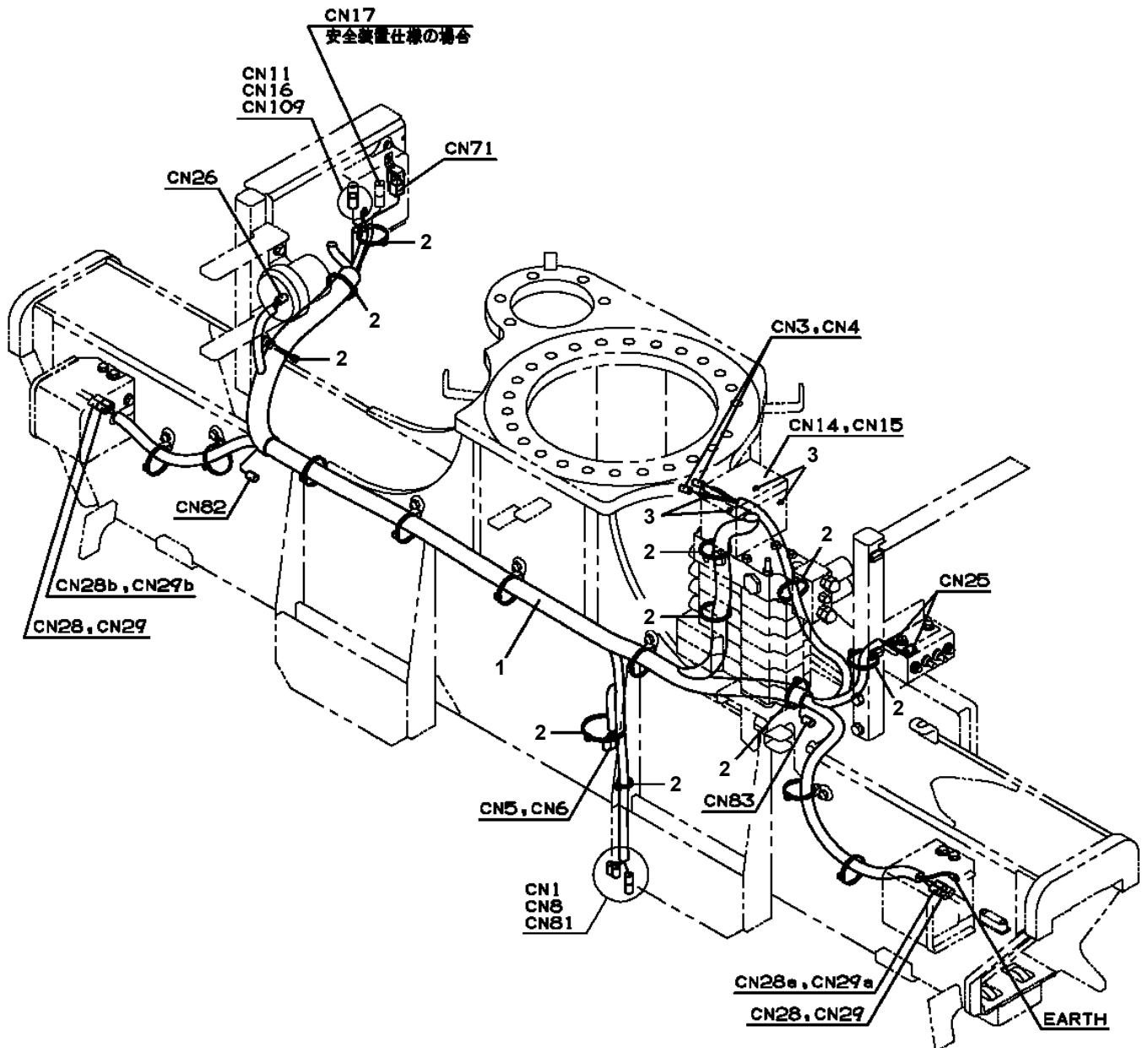
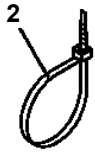
注意/作動油高温注意

● 作動油が高温になると、高圧ホースやケーブルが破損して
 漏れ、損傷した状態で作動させるおそれがあります。
 ● フォームで保護されている部品は必ずしも油に耐えられず、
 劣化する可能性があります。
 ● 作動油の油質が悪くなると、油圧回路が詰ります。
 この場合、コントローラ回路(FC、H、J)が壊れます。
 ● 油圧回路が詰ると、クレーンが停止するおそれがあります。
 この場合、コントローラ回路(FC、H、J)が壊れます。
 ● 作動油の温度が高すぎると劣化を招く恐れがあります。
 ● 作動油の油質が悪くなると、クレーンが停止するおそれがある
 ホースやケーブルの劣化を招く恐れがあります。
 注記：ホースやケーブルの耐油温度はDOT-100です。
 ● ホースやケーブルの劣化防止に注意してください。

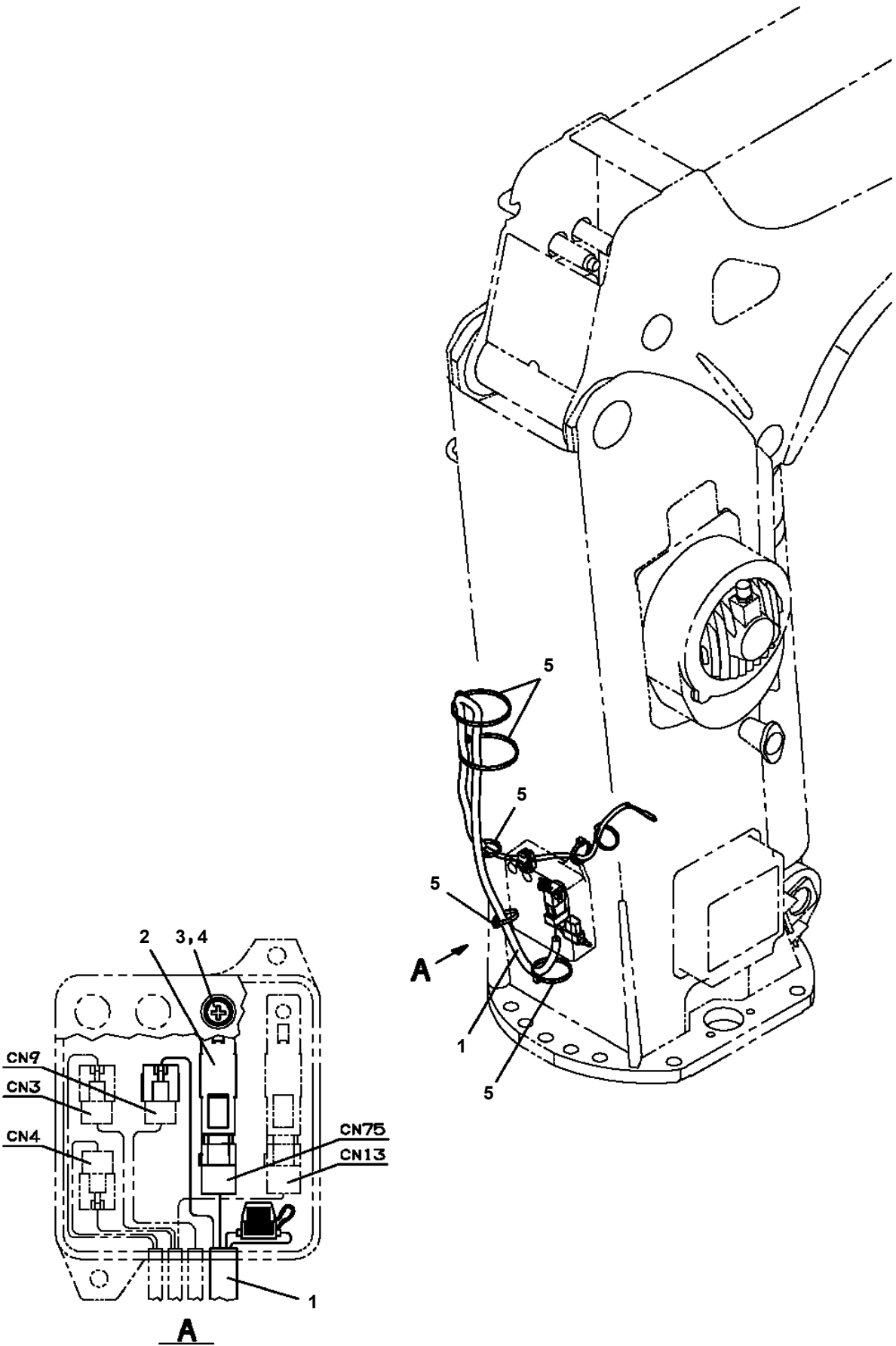
注 意：本図は参考用に掲載しており、形状などは実機と異なります。

NOTE:THE ABOVE FIGURE IS FOR REFERENCE AND MAY DIFFER
FROM THE ACTUAL APPEARANCE OF YOUR MACHINE.

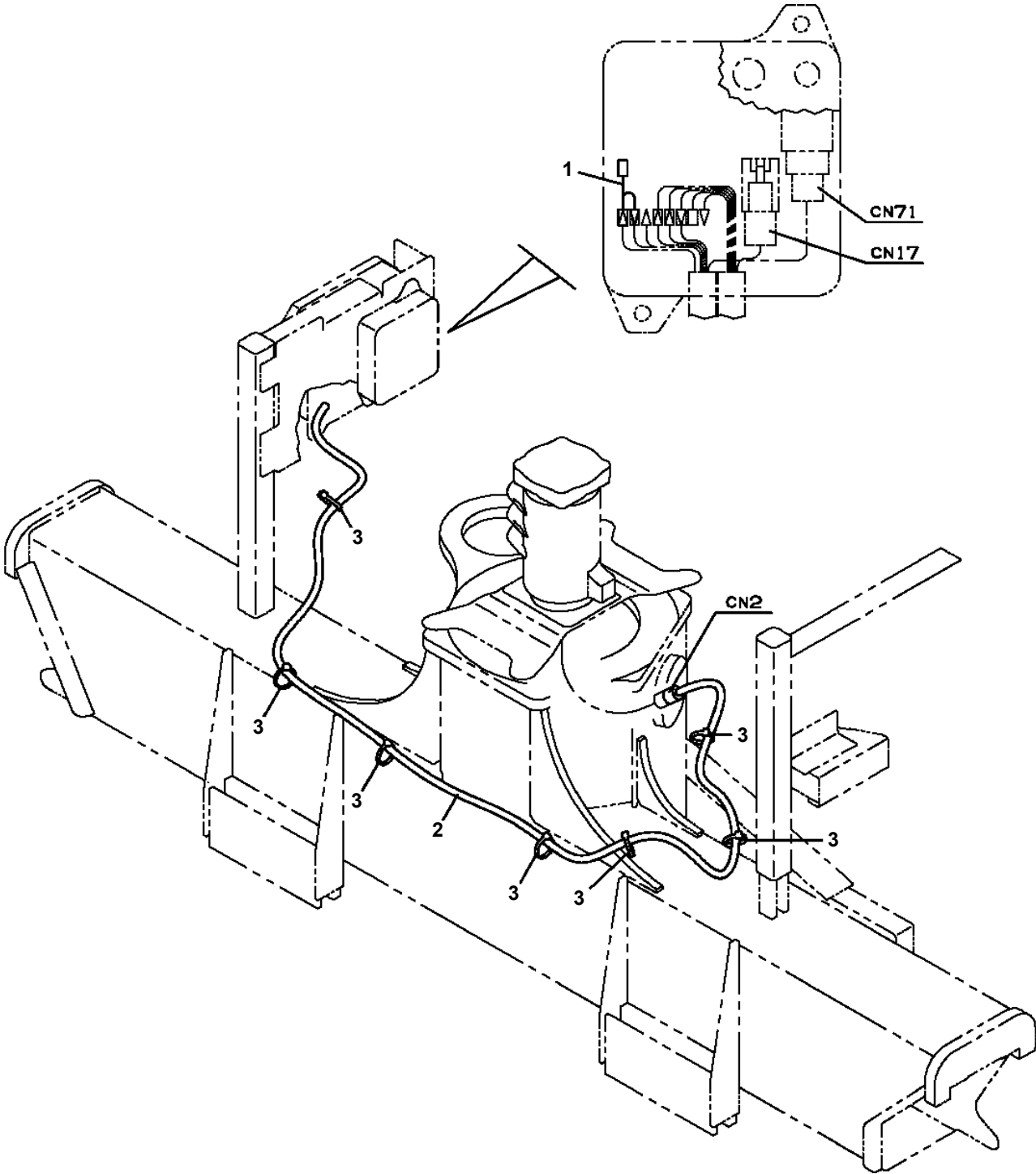
TM-ZE500 41050501153A FRAME/PRIM ECO
PE5020887-00 ELEC.ASSY (FRAME)



TM-ZE500 41050501153A FRAME/PRIM ECO
PE5020925-00 ELEC.ASSY (POST)



TM-ZE500 41050501153A FRAME/PRIM ECO
PE5020989-00 ELEC.ASSY (FRAME)



TM-ZE500 41050501153A FRAME/PRIM ECO

Pos No.	Parts No	Parts Name	Qty	Unit	Technical Data	Serial No (Start)	Serial No (End)	Remarks
1	31505263100	HARNESS	1					
2	91810130250	FASTENER	8					
3	91850310405	CLAMP (BLACK)	3					
4	34354781720	RELAY (WITH HARNESS)	1					
5	34354781740	RELAY	1					
6	90280200600	NUT,FLANGE	2		M6			
7	80197586012	SCREW,MACHINE	2		M6X12			

TM-ZE500 41050501153A FRAME/PRIM ECO

Pos No.	Parts No	Parts Name	Qty	Unit	Technical Data	Serial No (Start)	Serial No (End)	Remarks
1	90191510020	BOLT,HEXAGON SOCKET	8		M10X20			
2	90302041001	WASHER,SPRING	8		10			
3	90303071001	WASHER,PLAIN	4		10			
4	36093860021	BODY	1					
5	36093860042	SUPPORT	1					
6	37001008670	SHEAVE ASSY	2					
7	80720105056	PIN,SPRING	1		5X56			
9	36093860031	BODY	1					
10	36093860080	COVER	2					
12	80500051207	BEARING,BALL	1					
13	36093860071	TRUNNION	1					
21	36095155020	HOOK ASSY	1					
32	36093861100	BEARING,BALL	2					
40	36095150050	TRIGGER SET	1					
100	36095150000	HOOK (LOCKING)	1					

TM-ZE500 41050501153A FRAME/PRIM ECO

Pos No.	Parts No	Parts Name	Qty	Unit	Technical Data	Serial No (Start)	Serial No (End)	Remarks	Pages
1	31440250100	ROLLER ASSY	1						
2	37000105740	PIN	2						
3	80136332020	PIN,SPLIT	2		3.2X20				
4	90303071001	WASHER,PLAIN	4		10				
5	37001300000	SPRING	2						
21	37001107470	ROLLER ASSY	2						
22	37001108310	ROLLER ASSY	1						
23	31440250300	PIN	1						
24	31440250150	SUPPORT	1						
25	31440150350	WASHER,PLAIN	2						
26	90286001007	NUT	2		M10 P=1.25				
31	80516006001	BEARING,BALL	4						
43	80602110280	RING,RITAINING	2		R28				

**TM-ZE500 41050501153A FRAME/PRIM ECO
PF5100350-00 FRAME ASSY (FOR KANDENKO/CAB BACK OUTRIGGER)**

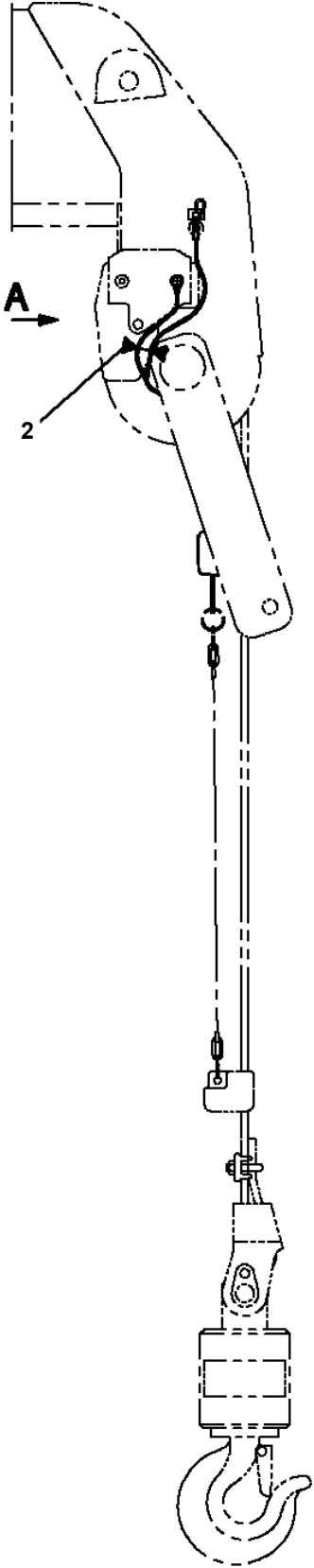
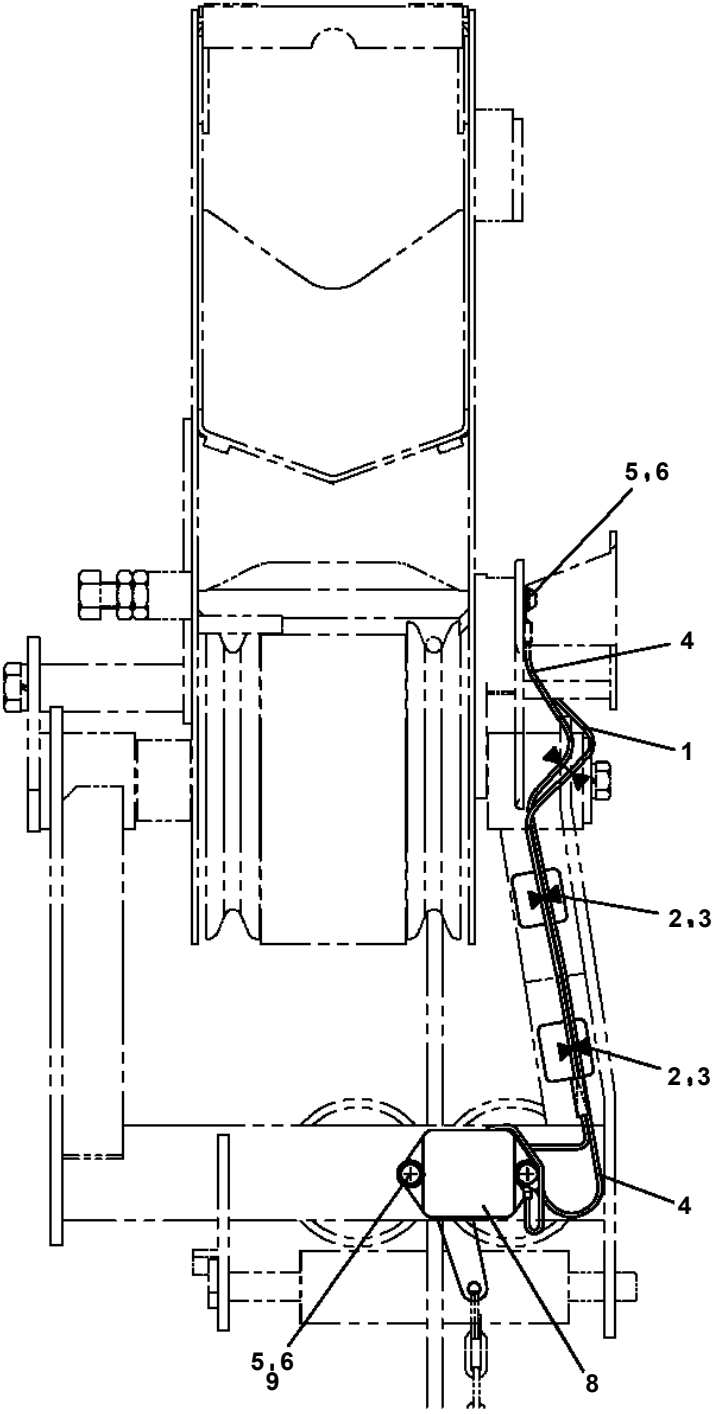
フレームASSY (カンデンコウムケ/キャブバックアウトリガ)
FRAME ASSY (FOR KANDENKO/CAB BACK OUTRIGGER)

指示番号 KEY NO.	部品名称 PART NAME	備考 REMARK
1	フレームASSY FRAME ASSY	
2	タンクASSY TANK ASSY	
3	カバーASSY COVER ASSY	
4	ハイカンASSY PIPING ASSY	上部
5	オペレータASSY, ソウサバールフ OPE. ASSY, CONT. VALVE	
6	ハイセンASSY ELEC. ASSY	トラックキャブからの配線
7	ハイセンASSY ELEC. ASSY	本体配線
9	アウトリガASSY OUTRIGGER ASSY	L=592
21	ネームプレートASSY NAME PLATE ASSY	(注意, 操作銘板)
24	プレートASSY, ネーム PLATE ASSY, NAME	(オイル銘板)

適用製造番号によっては取り付けがないものもあります。

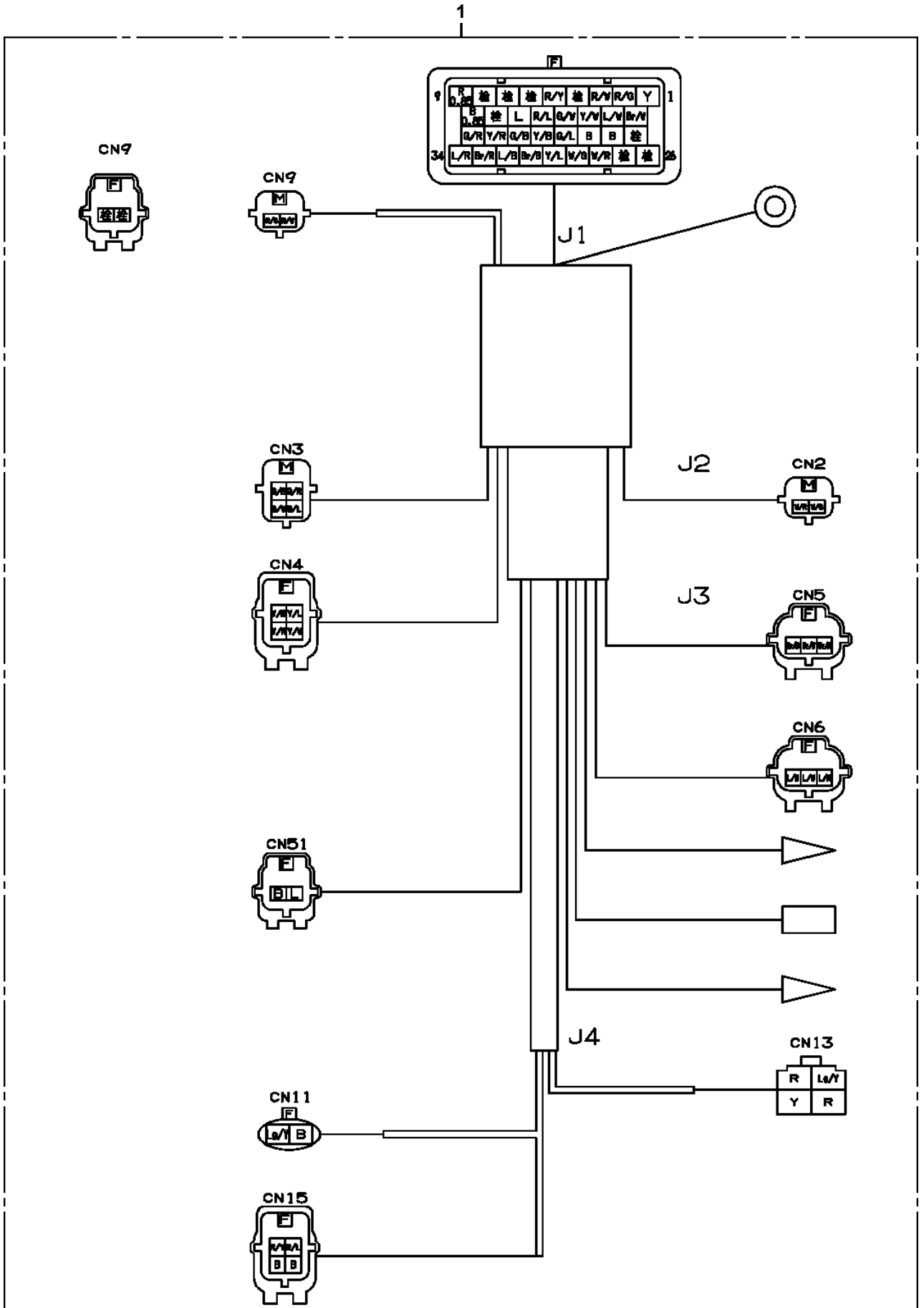
MACHINES OF SOME SERIAL NO. ARE NOT EQUIPPED WITH THESE PARTS.

TM-ZE500 41050501153A FRAME/PRIM ECO
PH1060491-01 DETECTOR,OVERWIND

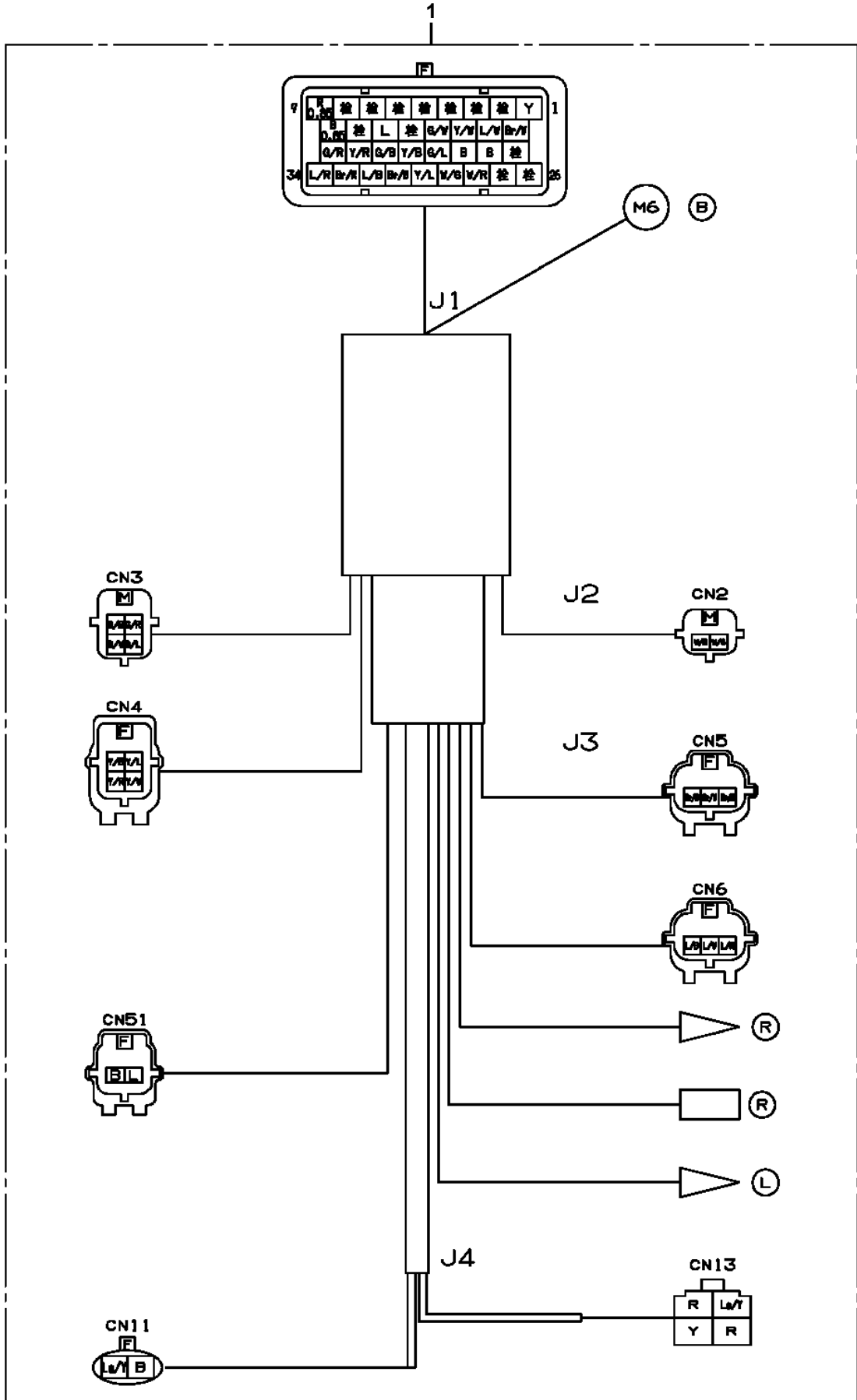


A

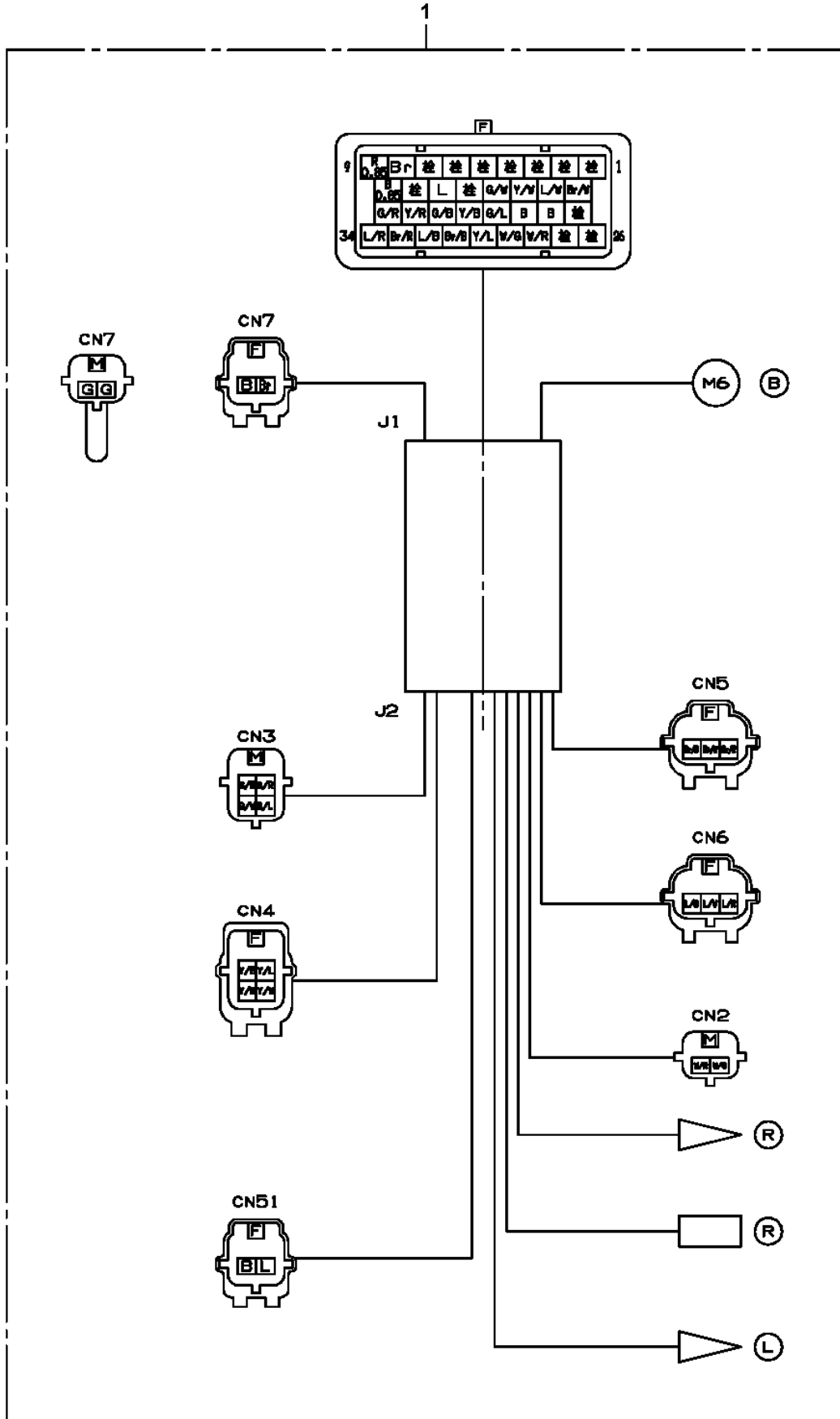
TM-ZE500 41050501153A FRAME/PRIM ECO
PH5030525-00 HARNESS



TM-ZE500 41050501153A FRAME/PRIM ECO
PH5030709-00 HARNESS

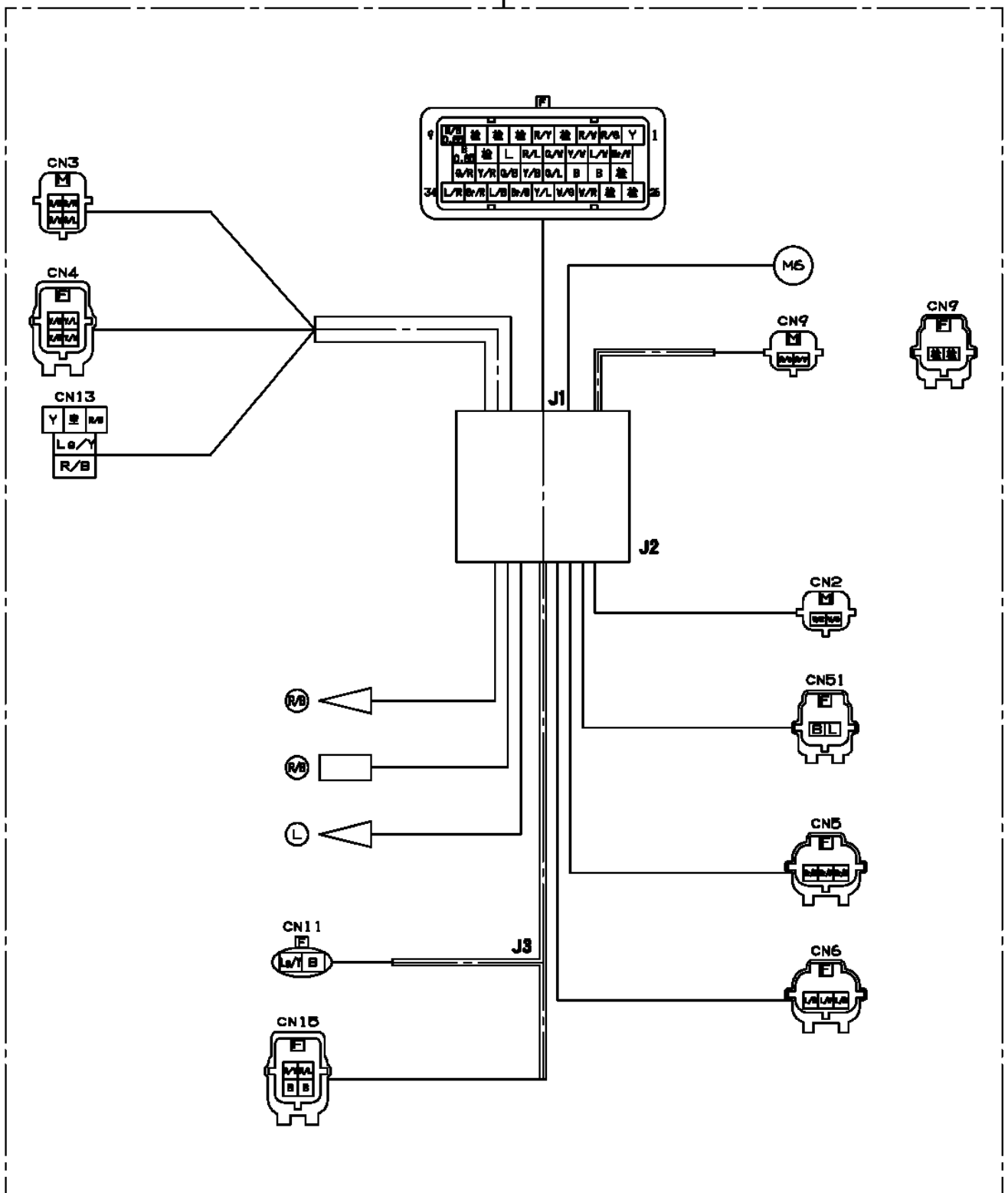


TM-ZE500 41050501153A FRAME/PRIM ECO
PH5031221-00 HARNESS



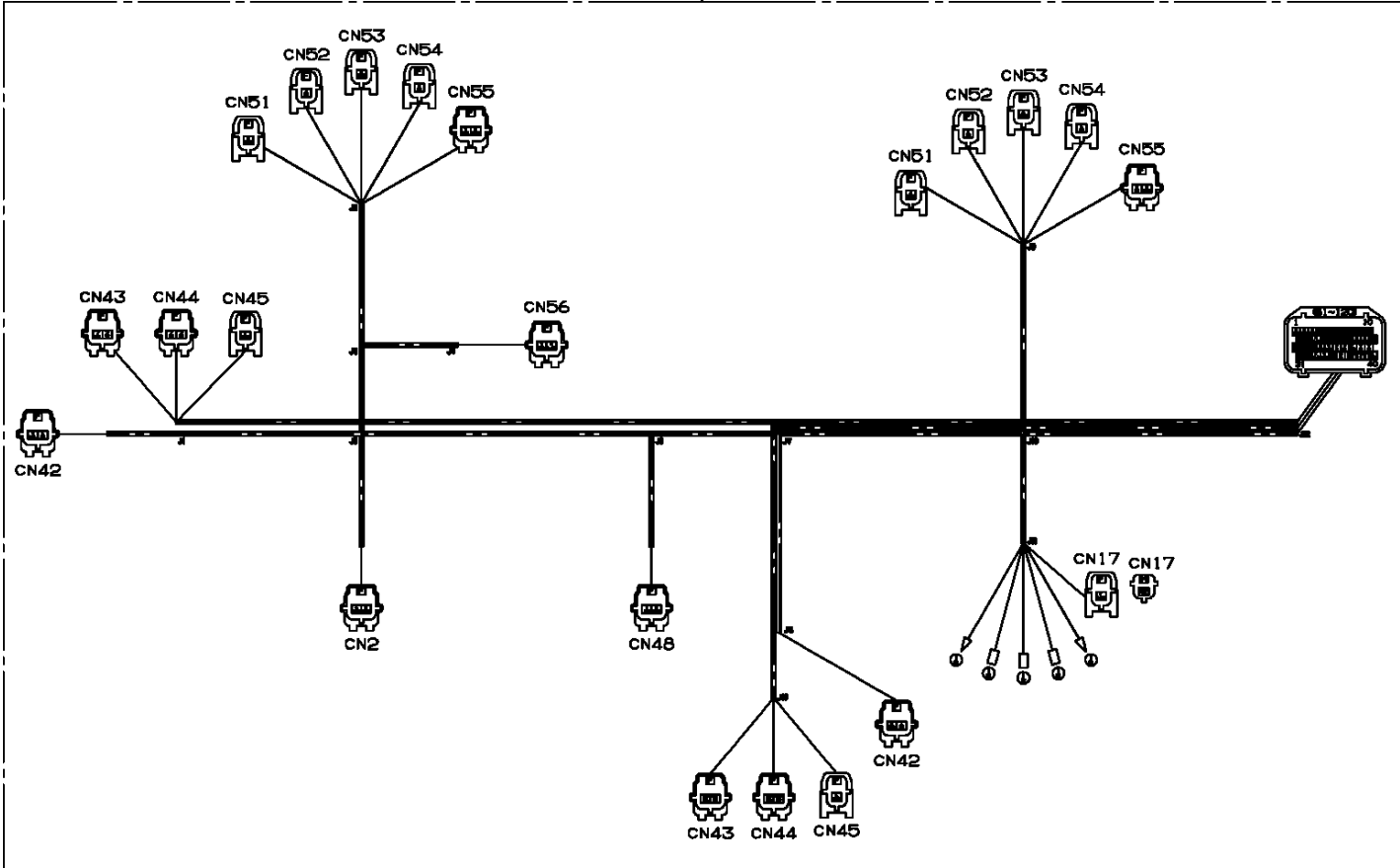
TM-ZE500 41050501153A FRAME/PRIM ECO
PH5032396-00 HARNESS

100

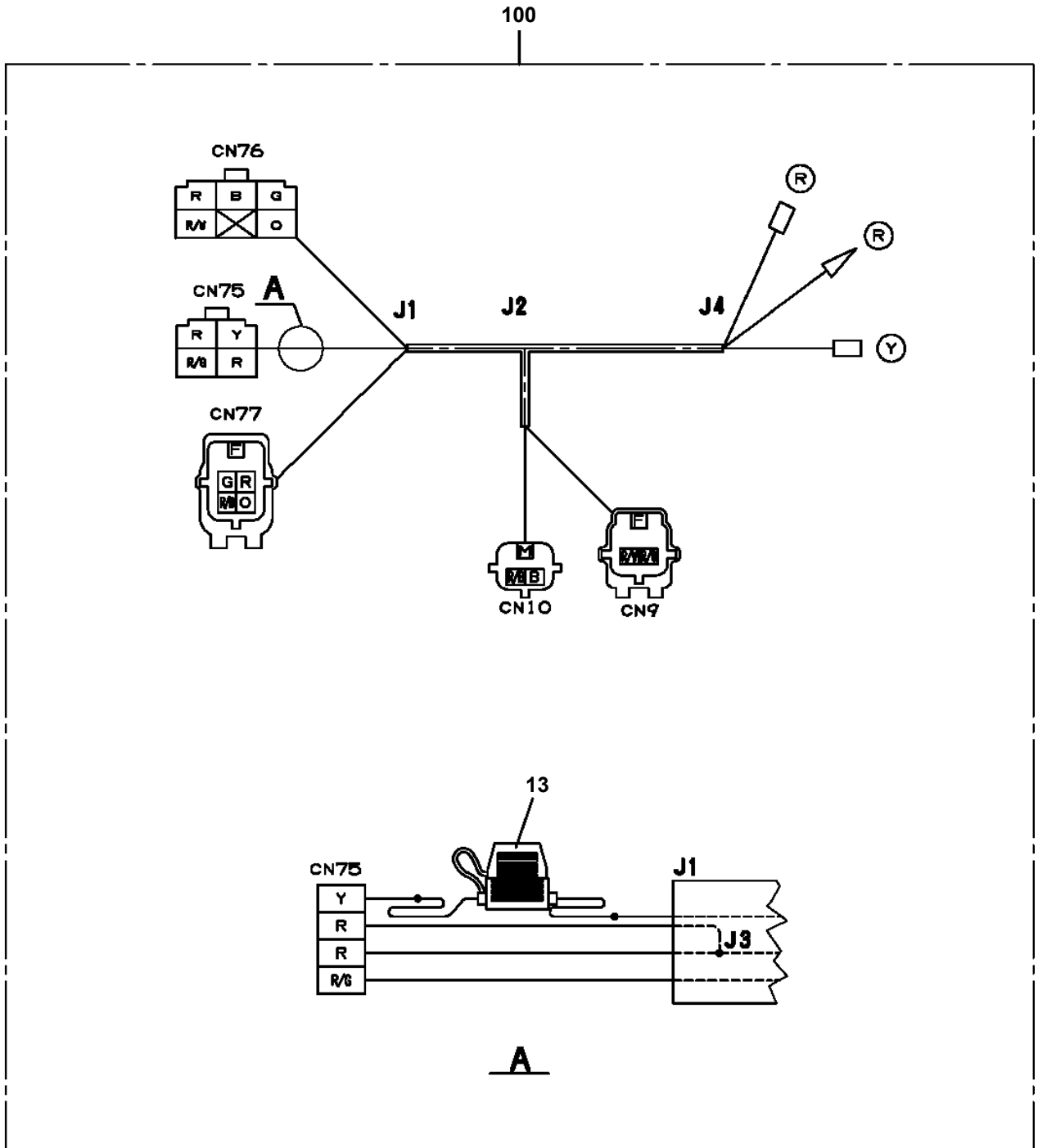


TM-ZE500 41050501153A FRAME/PRIM ECO
PH5032678-00 HARNESS

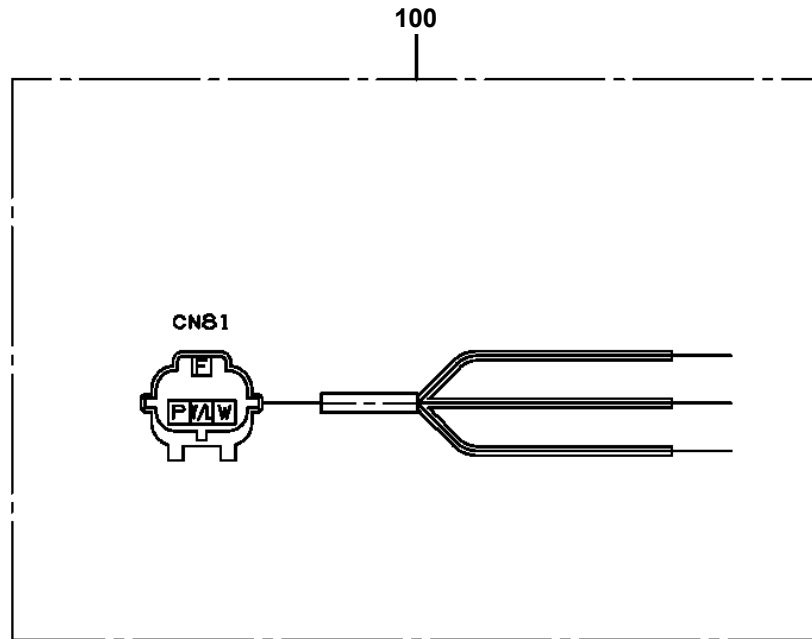
1



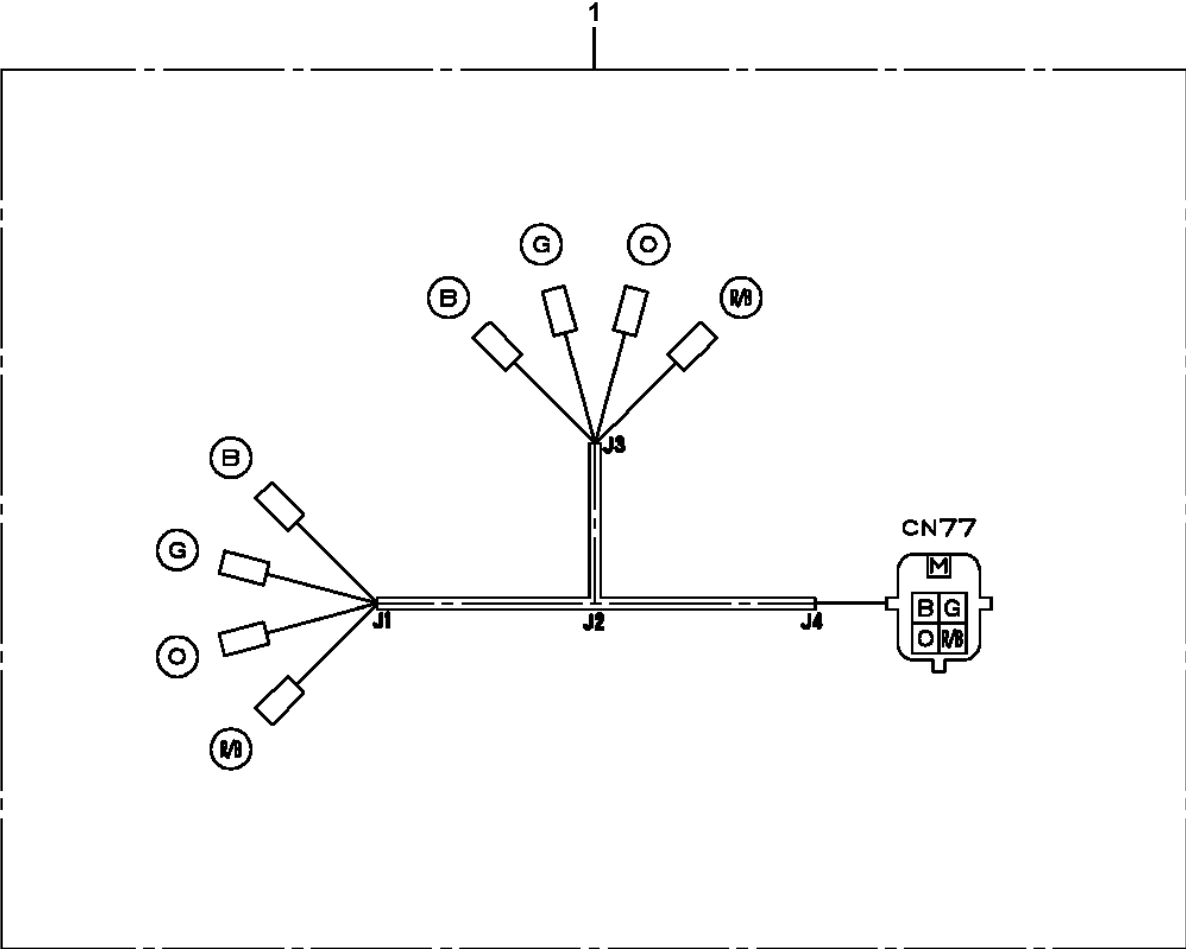
TM-ZE500 41050501153A FRAME/PRIM ECO
 PH5033058-00 HARNESS



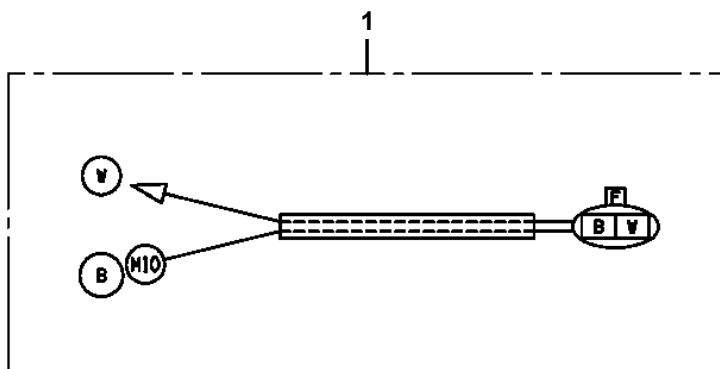
TM-ZE500 41050501153A FRAME/PRIM ECO
PH5033169-00 HARNESS



TM-ZE500 41050501153A FRAME/PRIM ECO
PH5033271-00 HARNESS

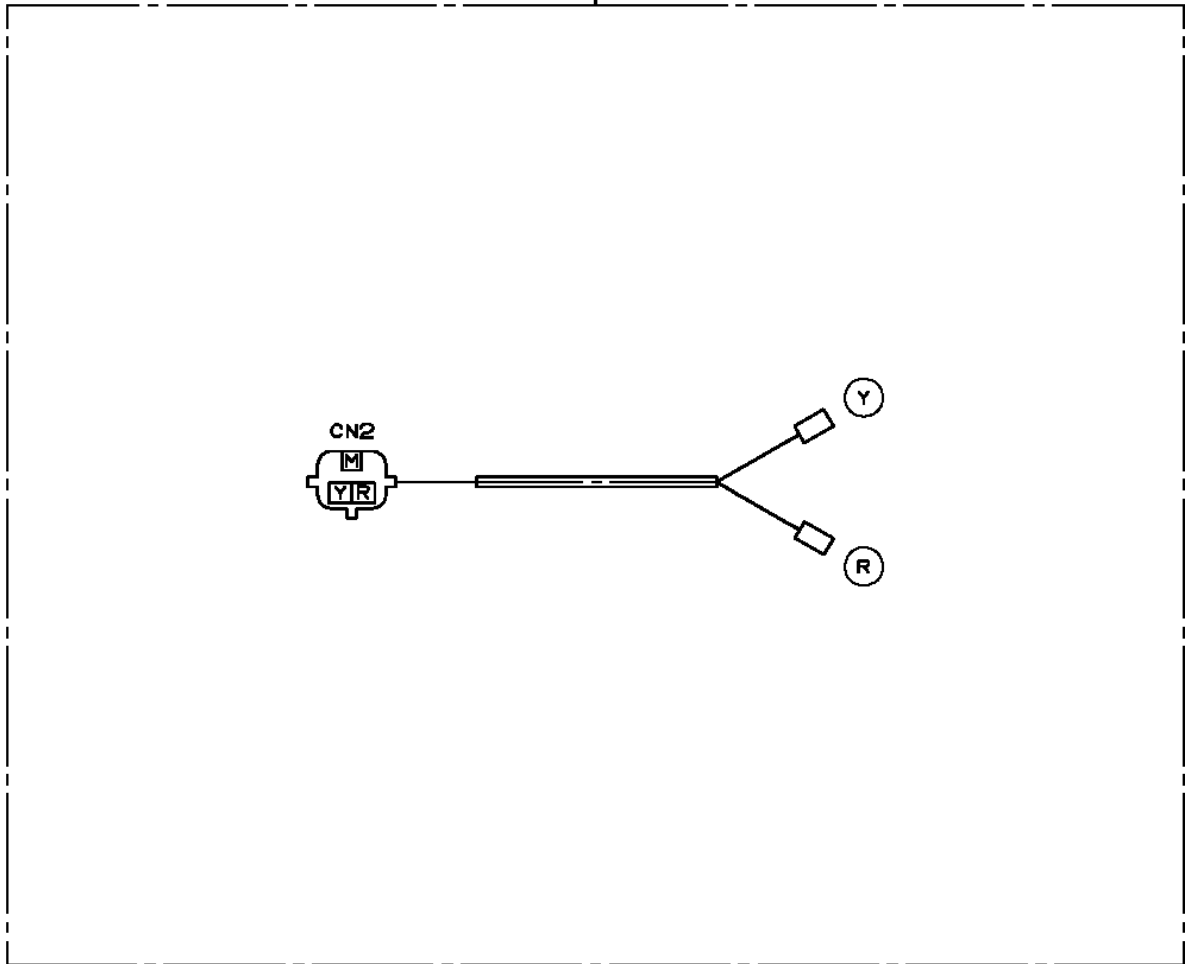


TM-ZE500 41050501153A FRAME/PRIM ECO
PH5033594-00 HARNESS

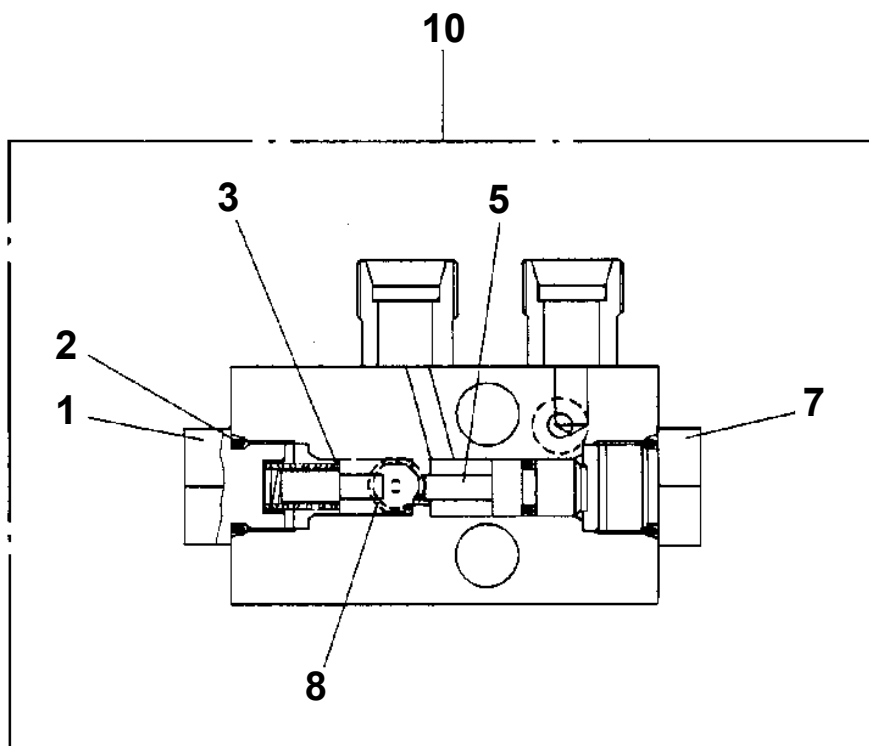


TM-ZE500 41050501153A FRAME/PRIM ECO
PH5034301-00 HARNESS

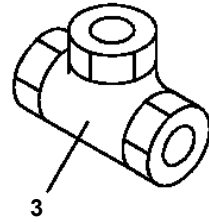
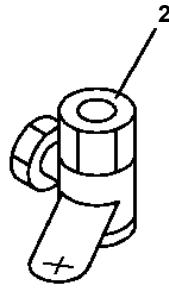
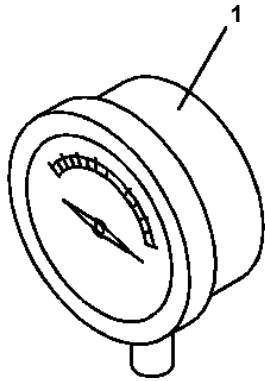
100



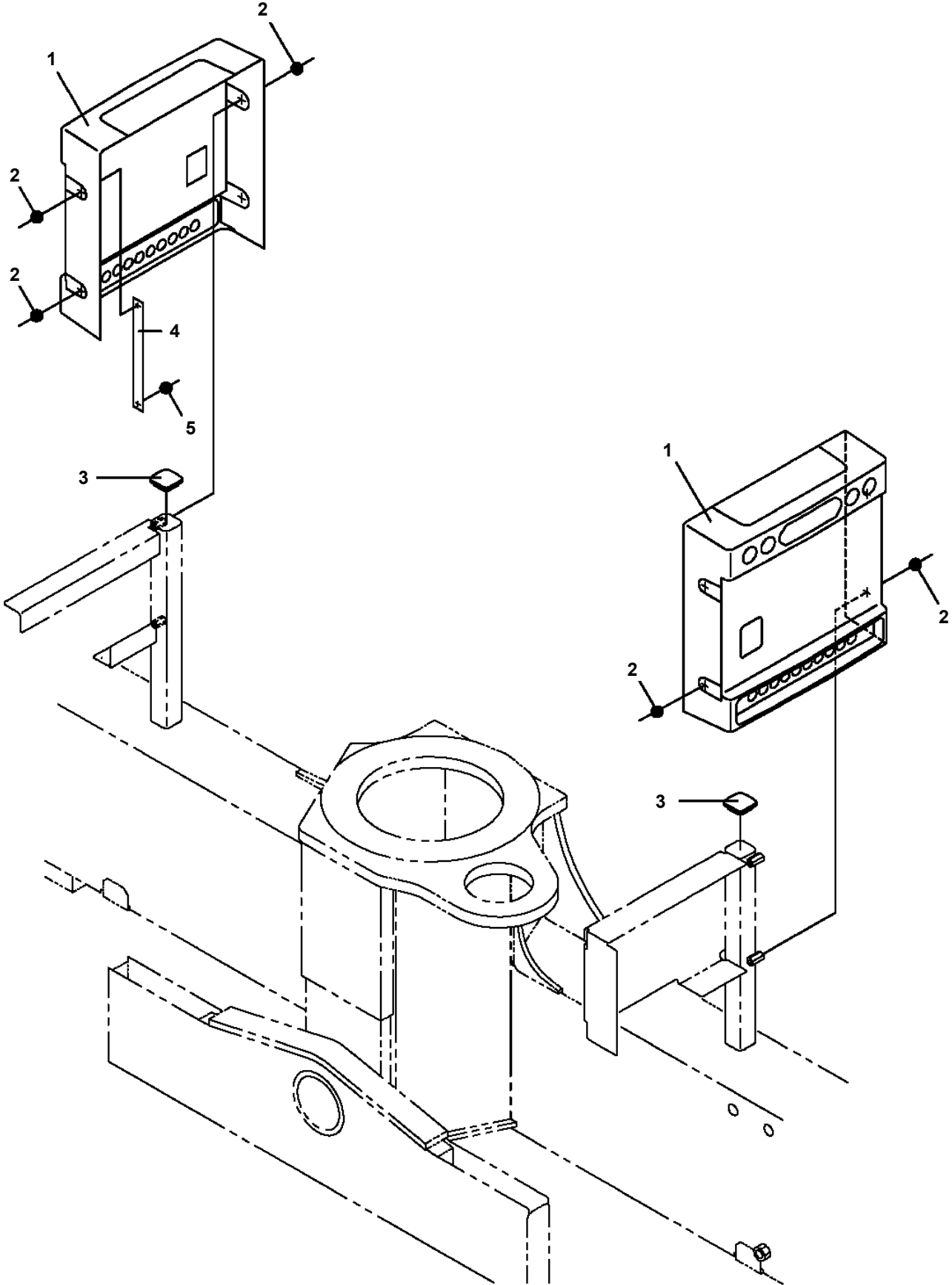
TM-ZE500 41050501153A FRAME/PRIM ECO
PI1280162-00 VALVE,PILOT CHECK



**TM-ZE500 41050501153A FRAME/PRIM ECO
PI1440037-00 METER,LOAD (BOTH SIDE)**



**TM-ZE500 41050501153A FRAME/PRIM ECO
PK1330382-02 COVER (SWITCH PANEL)**



注 意：本図は参考用に掲載しており、形状などは実機と異なります。

NOTE: THE ABOVE FIGURE IS FOR REFERENCE AND MAY DIFFER FROM THE ACTUAL APPEARANCE OF YOUR MACHINE.

TM-ZE500 41050501153A FRAME/PRIM ECO
PL5020026-00 LAMP ASSY (45W BOOM TOP WORKING/H.HR.MH)

指示番号 KEY NO.	ランプ ASSY (45Wフームセンタンサキ ヨウトウ/H.HR.MHヨウ) LAMP ASSY (45W BOOM TOP WORKING/H.HR.MH)
1	ハイセンASSY (ロー) ELEC.ASSY (LOWER)
2	ハイセンASSY (アツハ) ELEC.ASSY (UPPER)

TM-ZE500 41050501153A FRAME/PRIM ECO
PL5020031-00 LAMP ASSY (60W POST WORKING/HREN)

指示番号 KEY NO.	ランプ ASSY (60Wホ* ストサキ* ヨウトウ/HRENヨウ) LAMP ASSY (60W POST WORKING/HREN)
1	ハイセンASSY (フレーム*) ELEC.ASSY (FRAME)
2	ハイセンASSY (ホ* スト*) ELEC.ASSY (POST)
3	ハイセンASSY (シ* ヨウ*) ELEC.ASSY (UPPER)

TM-ZE500 41050501153A FRAME/PRIM ECO
PL5020106-00 LAMP ASSY (LED POST WORK LAMP/HREN)

ランプ ASSY (LEDホ* ストサキ* ヨウトウ/HREN)
LAMP ASSY (LED POST WORK LAMP/HREN)

【組立名称一覧】より選択してください。
SEE THE CORRESPONDING "ASSEMBLY NAME" LIST.

**TM-ZE500 41050501153A FRAME/PRIM ECO
PL5020167-00 LAMP ASSY (60W POST WORK LAMP)**

ランプ ASSY (60Wホーストサキ ヨウトウ)
LAMP ASSY (60W POST WORK LAMP)

指示番号 KEY NO.	部品名称 PART NAME	備考 REMARK
1	ハイセンASSY ELEC.ASSY	フレーム部
2	ハイセンASSY ELEC.ASSY	ホースト部
3	ハイセンASSY ELEC.ASSY	照明部

適用製造番号によっては取り付けがないものもあります。

MACHINES OF SOME SERIAL NO. ARE NOT EQUIPPED WITH THESE PARTS.

TM-ZE500 41050501153A FRAME/PRIM ECO
PL5270028-00 LOCK ASSY (JACK INTERLOCK/H,HR,PH,PHR)

ロックASSY (ジャッキインターロック/H,HR,PH,PHRヨウ)
LOCK ASSY (JACK INTERLOCK/H,HR,PH,PHR)

【組立名称一覧】より選択してください。
SEE THE CORRESPONDING "ASSEMBLY NAME" LIST.

CLICK HERE TO **DOWNLOAD** THE COMPLETE MANUAL

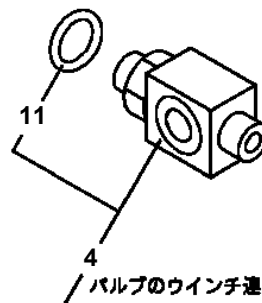
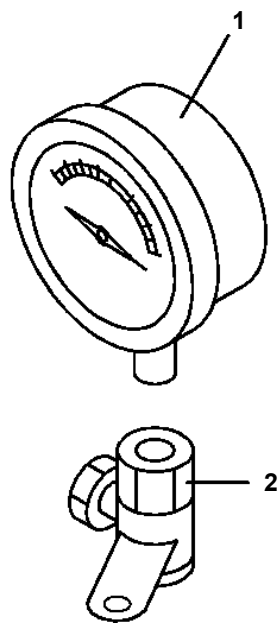
- Thank you very much for reading the preview of the manual.
- You can download the complete manual from: www.heydownloads.com by clicking the link below



- Please note: If there is no response to CLICKING the link, please download this PDF first and then click on it.

CLICK HERE TO **DOWNLOAD** THE COMPLETE MANUAL

TM-ZE500 41050501153A FRAME/PRIM ECO
PM5070001-00 METER ASSY,HOOK LOAD



バルブのウインチ連（上げ）の既存ジョイントと交換

TM-ZE500 41050501153A FRAME/PRIM ECO

Pos No.	Parts No	Parts Name	Qty	Unit	Technical Data	Serial No (Start)	Serial No (End)	Remarks	Pa
1	31653600500	PLUG (8POLES,MALE)	1						

TM-ZE500 41050501153A FRAME/PRIM ECO

Pos No.	Parts No	Parts Name	Qty	Unit	Technical Data	Serial No (Start)	Serial No (End)	Remarks	Pages
1	91850100802	CLAMP	1						
2	91810130270	FASTENER	2						
3	91810130250	FASTENER	8						
4	91850310405	CLAMP (BLACK)	6						

TM-ZE500 41050501153A FRAME/PRIM ECO

Pos No.	Parts No	Parts Name	Qty	Unit	Technical Data	Serial No (Start)	Serial N
5	82101429241	SWITCH,PUSH (GREEN)	1				
6	82105411140	SWITCH,TOGGLE	2				
10	31656013120	SWITCH ASSY (WITH HARNESS/PANASONIC)	1				

TM-ZE500 41050501153A FRAME/PRIM ECO

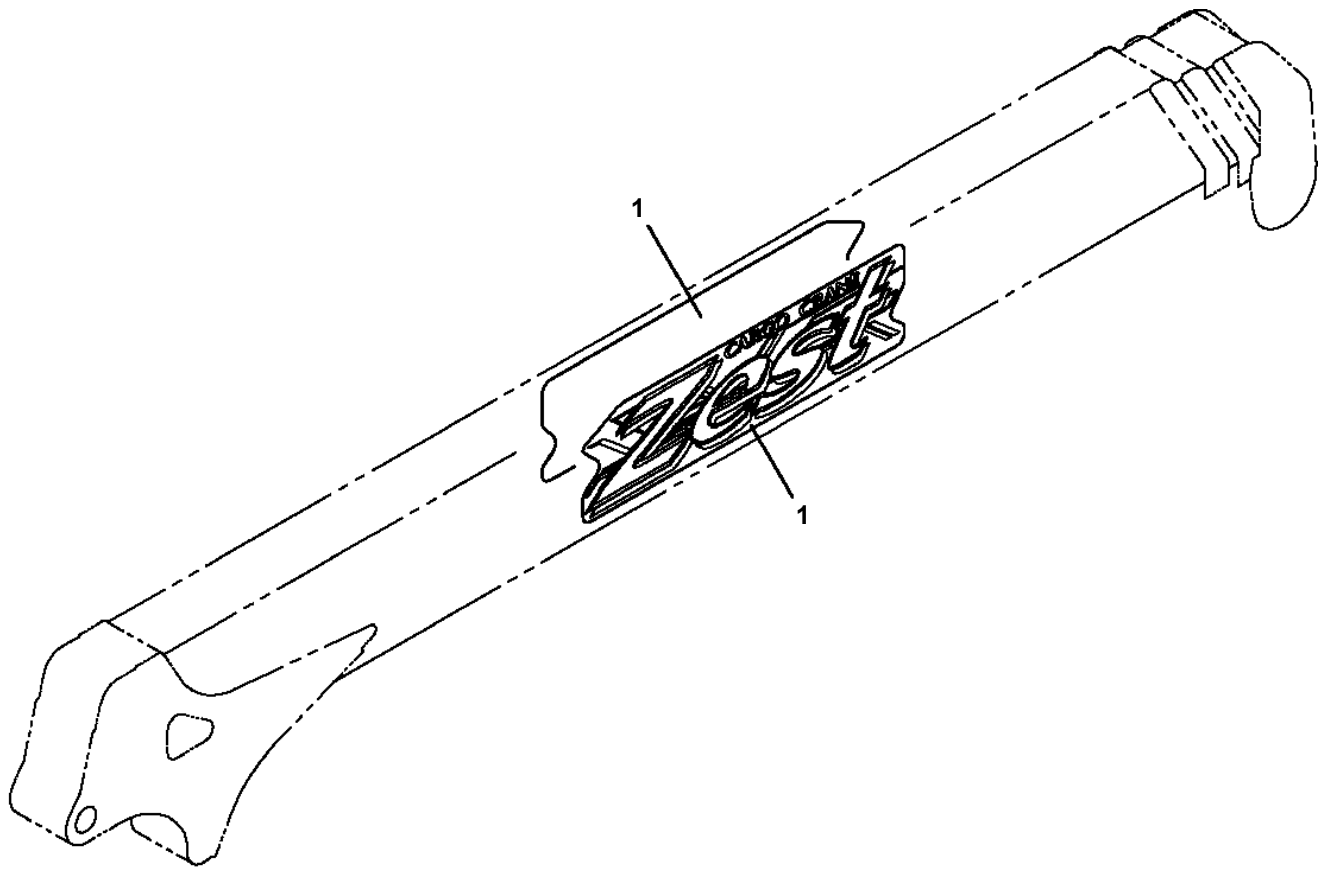
Pos No.	Parts No	Parts Name	Qty	Unit	Technical Data	Serial No (Start)	Serial No (End)	Remarks	Pages
1	31500626101	PLATE,NAME	2						

TM-ZE500 41050501153A FRAME/PRIM ECO
PN5010772-00 NAME PLATE ASSY (FRAME)

ネームプレートASSY (フレーム)
NAME PLATE ASSY (FRAME)

【組立名称一覧】より選択してください。
SEE THE CORRESPONDING "ASSEMBLY NAME" LIST.

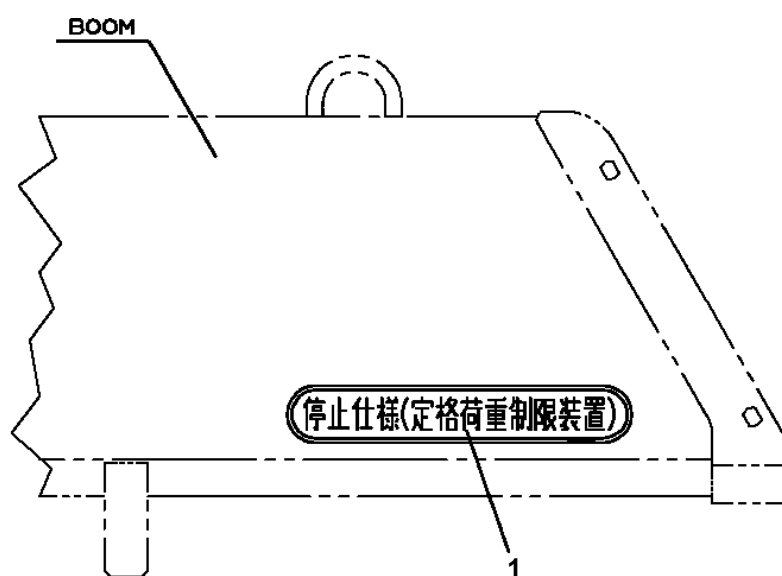
TM-ZE500 41050501153A FRAME/PRIM ECO
PN5011064-01 NAME PLATE ASSY (ZEST ZE300/WITHOUT ECO)



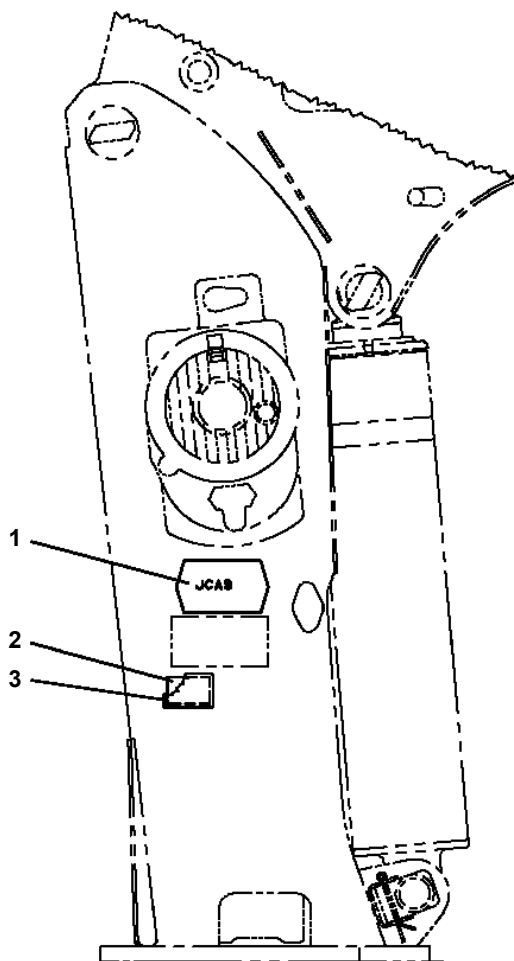
ブーム段数参考

THE BOOM SECTIONS IN THE ILLUSTRATION ARE FOR REFERENCE.

TM-ZE500 41050501153A FRAME/PRIM ECO
PN5011947-02 NAME PLATE ASSY




TM-ZE500 41050501153A FRAME/PRIM ECO
 PN5012410-00 NAME PLATE ASSY (JSAS)



ZE250, ZE260, ZE290
 ZE300, ZE360
 ZE500

ポスト側面

1

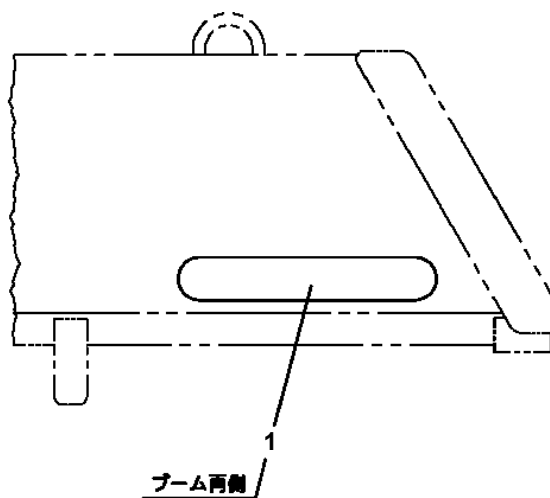
	JCAS2209-2018 「積載型トラッククレーン 過負荷制限装置の基準」準拠
	株式会社タダノ 型 式：***** No. *****

このステッカーは、日本クレーン協会の許可を得て、
 上記の会社の責任において貼付したものです。
 一般社団法人日本クレーン協会

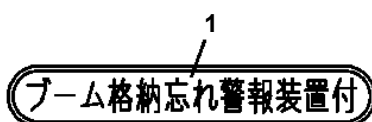
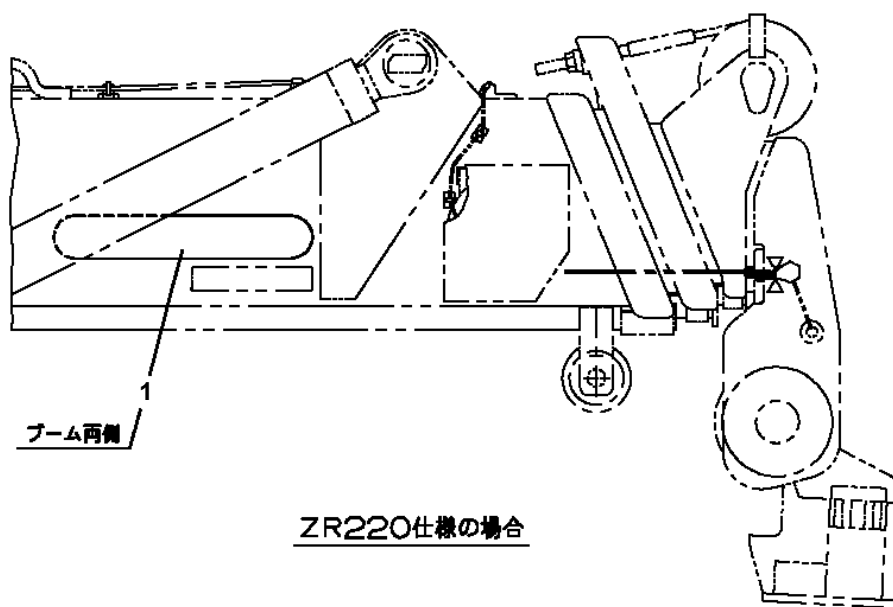
2

ウインチ減速機のフェーシングは3年毎に交換してください。
 次回の交換は
 年 月です
20-2020-0400

TM-ZE500 41050501153A FRAME/PRIM ECO
PO1014584-04 PLATE ASSY,NAME (BOOM,ELEV. STOWING FAILURE)



プレート、ネーム貼付位置は参考とする



ブーム段数参考

THE BOOM SECTIONS IN THE ILLUSTRATION ARE FOR REFERENCE.

TM-ZE500 41050501153A FRAME/PRIM ECO

Pos No.	Parts No	Parts Name	Qty	Unit	Technical Data	Serial No (Start)	Serial No (End)	Remarks
1	31398320100	PLATE,CAUTION	2					
2	31398320200	PLATE,CAUTION	1					
3	31398320300	PLATE,CAUTION	2					
4	31398320400	PLATE,CAUTION	1					
5	31393180100	REFLECTOR (RED)	2					
6	31611300500	PLATE,NAME (WHITE)	4					
7	37002213970	PLATE,NAME (MARKING)	2					

TM-ZE500 41050501153A FRAME/PRIM ECO

Pos No.	Parts No	Parts Name	Qty	Unit	Technical Data	Serial No (Start)	Serial No (End)	Remarks	Pages
1	36806250110	PLATE,NAME	1						

TM-ZE500 41050501153A FRAME/PRIM ECO

Pos No.	Parts No	Parts Name	Qty	Unit	Technical Data	Serial No (Start)	Serial No (End)	Remarks	Pages
1	37002227640	PLATE,NAME	2						
2	37002227630	PLATE,NAME	2						
3	37002227620	PLATE,NAME	2						
4	37002227650	PLATE,NAME	2						
8	37002227690	PLATE,NAME	1						
9	37002227700	PLATE,NAME	1						

TM-ZE500 41050501153A FRAME/PRIM ECO

Pos No.	Parts No	Parts Name	Qty	Unit	Technical Data	Serial No (Start)	Serial No (End)	Remarks	Pages
2	90302041001	WASHER,SPRING	4		10				
3	90171110018	BOLT	4		M10X18				
4	31325162000	ROD ASSY	1						
5	31325163000	ROD	3						
6	31324990100	LEVER	1						
7	31324990200	LEVER	1						
8	31324860401	LEVER	1						
9	31324990300	LEVER	1						
10	31324990400	LEVER	1						
11	31324990500	LEVER	1						
12	31324860701	KNOB (RED)	1						
13	31324860801	KNOB (BLACK)	3						
14	82400000527	CAP	2						
15	37000164930	PIN	1						
16	80136840020	PIN,SPLIT	1		4X20				
17	37000105040	PIN	8						
18	80650100030	RING,RETAINING	14						
19	37000105050	PIN	6						
21	31322224200	PLATE	1		L=1				
31	31325161100	SUPPORT	1						
32	31324860401	LEVER	1						
33	31324990300	LEVER	1						
34	31324990400	LEVER	1						
35	31324990500	LEVER	1						
36	31324860701	KNOB (RED)	1						
37	31324860801	KNOB (BLACK)	3						
38	37000100190	PIN	1						
39	80136840020	PIN,SPLIT	1		4X20				
40	31322224200	PLATE	5		L=1				
41	37000311190	SPACER	1		L=16				

TM-ZE500 41050501153A FRAME/PRIM ECO

Pos No.	Parts No	Parts Name	Qty	Unit	Technical Data	Serial No (Start)	Serial No (End)	Remarks	Pages
1	31324983600	LEVER	1						
2	31324983700	LEVER	1						
3	31324860801	KNOB (BLACK)	2						
4	37010100110	PIN	1						
5	37000105050	PIN	2						
6	31322224200	PLATE	1		L=1				
7	37000311490	SPACER	1		L=20				
8	80136840020	PIN,SPLIT	1		4X20				
9	80650100030	RING,RETAINING	2						

TM-ZE500 41050501153A FRAME/PRIM ECO

Pos No.	Parts No	Parts Name	Qty	Unit	Technical Data	Serial No (Start)	Serial No (End)	Remarks	Pages
3	90171110016	BOLT	4		M10X16				
4	31325162000	ROD ASSY	1						
5	31325163000	ROD	2						
7	31325740400	LEVER	1						
9	31325740200	LEVER	1						
11	31324860701	KNOB (RED)	1						
12	31324860801	KNOB (BLACK)	5						
14	37010103590	PIN	1						
15	80136840020	PIN,SPLIT	1		4X20				
16	37000105040	PIN	12						
17	80650100030	RING,RETAINING	18						
18	37000105050	PIN	6						
20	90302041001	WASHER,SPRING	4		10				
21	31325740600	LEVER	1						
22	31325740700	LEVER	1						
23	31322224200	PLATE	1		L=1				
41	31326731100	SUPPORT	1						
42	31325740400	LEVER	1						
46	31324860701	KNOB (RED)	1						
47	31324860801	KNOB (BLACK)	5						
48	37010100380	PIN	1						
49	80136840020	PIN,SPLIT	1		4X20				
50	31322224200	PLATE	7		L=1				
51	37000311190	SPACER	2		L=16				
52	31325741201	LEVER	1						
53	31325741301	LEVER	1						

TM-ZE500 41050501153A FRAME/PRIM ECO

Pos No.	Parts No	Parts Name	Qty	Unit	Technical Data	Serial No (Start)	Serial No
1	31614450100	OUTRIGGER ASSY (CASE:L=1250,MIN=805)	2				

TM-ZE500 41050501153A FRAME/PRIM ECO

Pos No.	Parts No	Parts Name	Qty	Unit	Technical Data	Serial No (Start)	Serial No (End)
1	80189305008	SCREW,MACHINE	1		M5X8		
2	31613570500	COVER	1				
3	90180208016	BOLT,BUTTON	2		M8X16		
4	90302040801	WASHER,SPRING	2		8		
5	31611640150	SPRING	1				
6	(*****)	OPE.ASSY,OUTRIGGER	1				
7	37000150360	PIN	1				
8	80601110150	RING,RITAINING	2		15		
9	31620582020	BEARING,BALL (KOYO)	2				
10	37000164980	PIN	2				
11	80602110350	RING,RITAINING	4		R35		
12	31614324000	CASE,OUTER	1		L=920		
13	31614243000	CASE,INNER	1				
15	37000165280	PIN	1				
16	31201770100	PLATE,SLIDE	2		T=3.0		
17	31612772100	PLATE	1				
18	90186206012	BOLT,FLANGE	2		M6X12		
19	31611643000	FLOAT	1				
31	31614324200	SUPPORT	1				
35	31614694000	SUPPORT	1				
37	31621963200	SUPPORT	1				
41	36623930000	VALVE,PILOT CHECK	1				
42	90172110040	BOLT,HEXAGON SOCKET	2		M10X40		
43	80491002020	JOINT (WITH O-RING)	2				
44	91002801000	O-RING	2		1B P10		
45	36036630000	CYLINDER ASSY,JACK	1				
51	31611300500	PLATE,NAME (WHITE)	2				
52	31611300600	PLATE,NAME (YELLOW)	2				
61	91002801100	O-RING	2		1B P11		
100	31614320200	OUTRIGGER ASSY (CASE:L=920,MIN=785)	1				

TM-ZE500 41050501153A FRAME/PRIM ECO

Pos No.	Parts No	Parts Name	Qty	Unit	Technical Data	Serial No (Start)	Serial No
1	(*****)	OUTRIGGER ASSY,REAR	1				
3	(*****)	NAME PLATE ASSY (REAR OURTIGGER)	1				
5	(*****)	OPE.ASSY,CONT.VALVE	1				
6	(*****)	LOCK ASSY (REAR OUTRIGGER)	1				
21	(*****)	PIPING ASSY (REAR JACK)	1				
22	36637730000	VALVE,MANUAL CONTROL (R/O,2-BLOCK)	1				
23	(*****)	PIPING ASSY (CRANE)	1				

TM-ZE500 41050501153A FRAME/PRIM ECO

Pos No.	Parts No	Parts Name	Qty	Unit	Technical Data	Serial No (Start)	Serial No (End)	
1	36806810000	BOX,OPERATION (10M CABLE)	1					
2	(*****)	ELEC.ASSY (ANTENNA UNIT)	1					
3	(*****)	NAME PLATE ASSY	1					
5	(*****)	PLATE ASSY,NAME (SWITCH,BOX)	1					

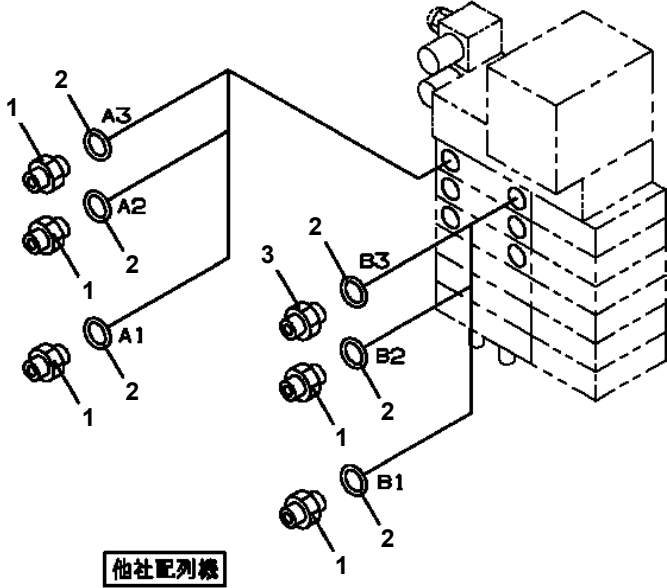
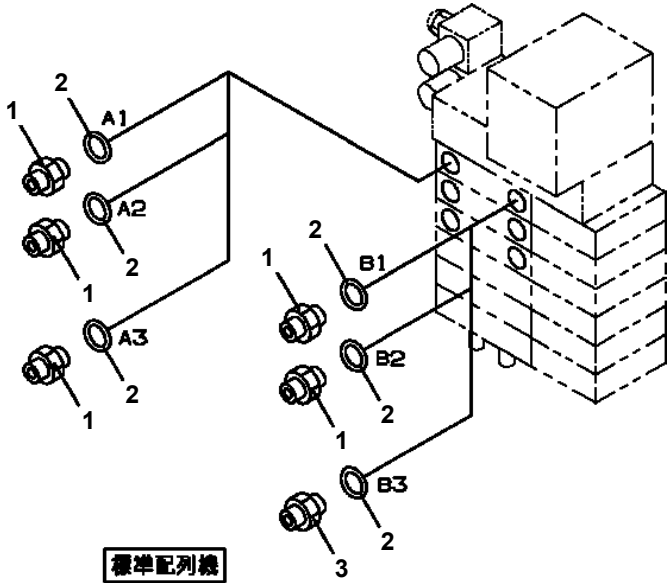
TM-ZE500 41050501153A FRAME/PRIM ECO

Pos No.	Parts No	Parts Name	Qty	Unit	Technical Data	Serial No (Start)	Serial No (End)	Remarks	Pages
1	31399220400	PLATE,NAME	1						
2	31399230400	PLATE,NAME	1						
3	31399240400	PLATE,NAME	1						
4	31399250400	PLATE,NAME	1						
5	31399260400	PLATE,NAME	1						
7	31399270400	PLATE,NAME	1						
8	31399280400	PLATE,NAME	1						
9	31399290400	PLATE,NAME	1						
10	31399300400	PLATE,NAME	1						
11	31399320400	PLATE,NAME	1						
12	31399330400	PLATE,NAME	1						
13	31591371400	PLATE,NAME	1						
14	31591372400	PLATE,NAME	1						
15	31591373400	PLATE,NAME	1						
16	31591381400	PLATE,NAME	1						
17	31591382400	PLATE,NAME	1						
18	31591383400	PLATE,NAME	1						
19	31591391400	PLATE,NAME	1						
20	31591392400	PLATE,NAME	1						
21	31591393400	PLATE,NAME	1						

TM-ZE500 41050501153A FRAME/PRIM ECO

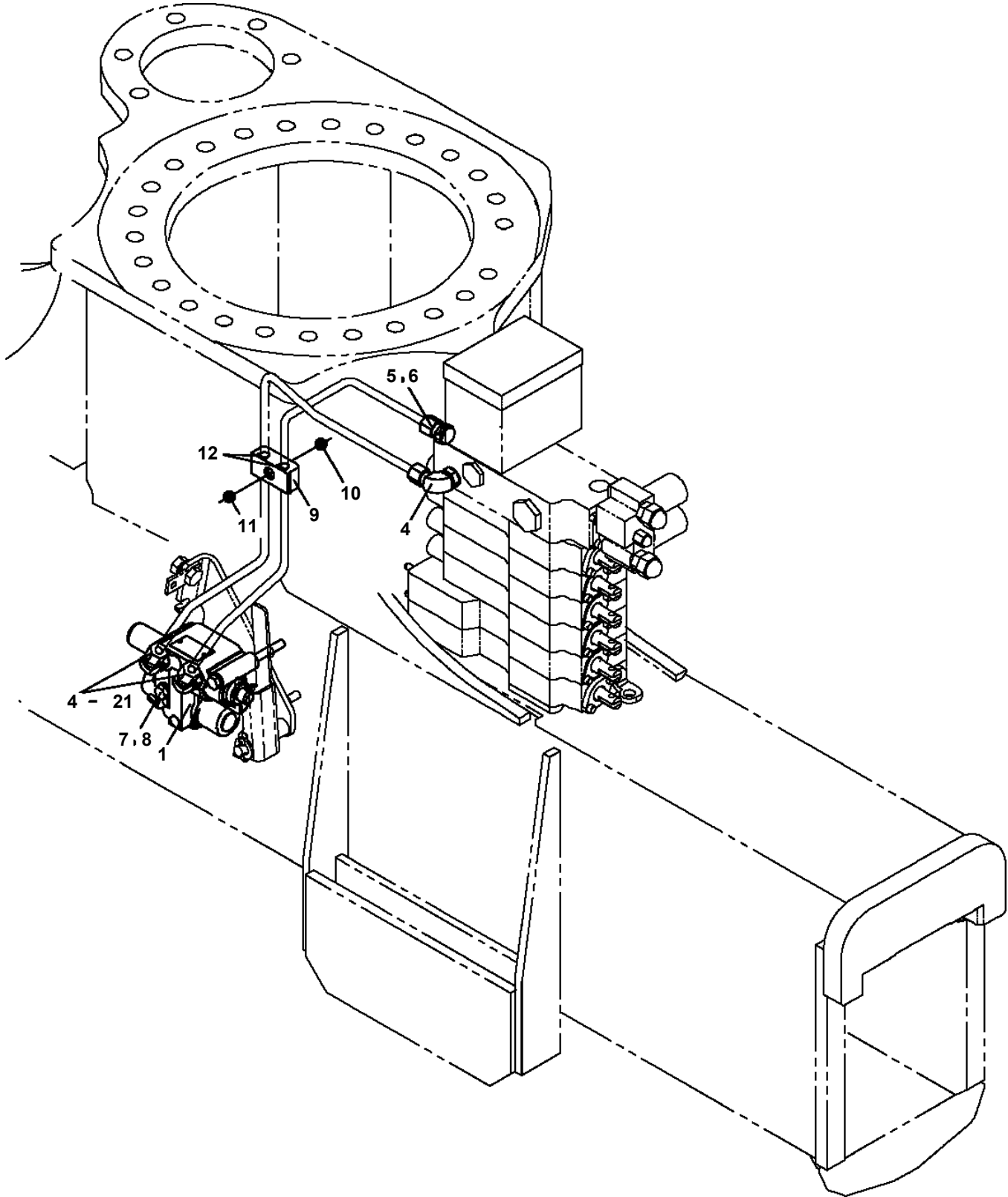
Pos No.	Parts No	Parts Name	Qty	Unit	Technical Data	Serial No (Start)	Serial No (End)	Remarks	Pa
1	80491403020	JOINT (WITH O-RING)	4						
3	37002442200	HOSE	4		L=2100				
4	91810130240	FASTENER	2						
6	81408000120	PIPE,STEEL	3	M	10X1.5T				
7	80301010080	FITTING	8		KUA10-000E				
8	37000921300	JOINT	2		S,PF1/4-PF1/4				
9	91002801100	O-RING	2		1B P11				
10	80303130101	FITTING,ELBOW	4		KLO10-020E				
11	37000714320	CLAMP ASSY	3						
12	80320410020	FITTING	4						
13	37000560350	SUPPORT	1						
14	31642991100	CLAMP ASSY	2						
19	90302040801	WASHER,SPRING	1		8				
20	37005700130	CLAMP	2		10X2				
21	90101208060	BOLT	1		M8X60				
22	90303070801	WASHER,PLAIN	1		8				
23	90201200800	NUT	1		M8				
41	91002801100	O-RING	4		1B P11				
51	91002801400	O-RING	4		1B P14				

TM-ZE500 41050501153A FRAME/PRIM ECO
PP6010045-00 PIPING ASSY (VALVE JOINT)

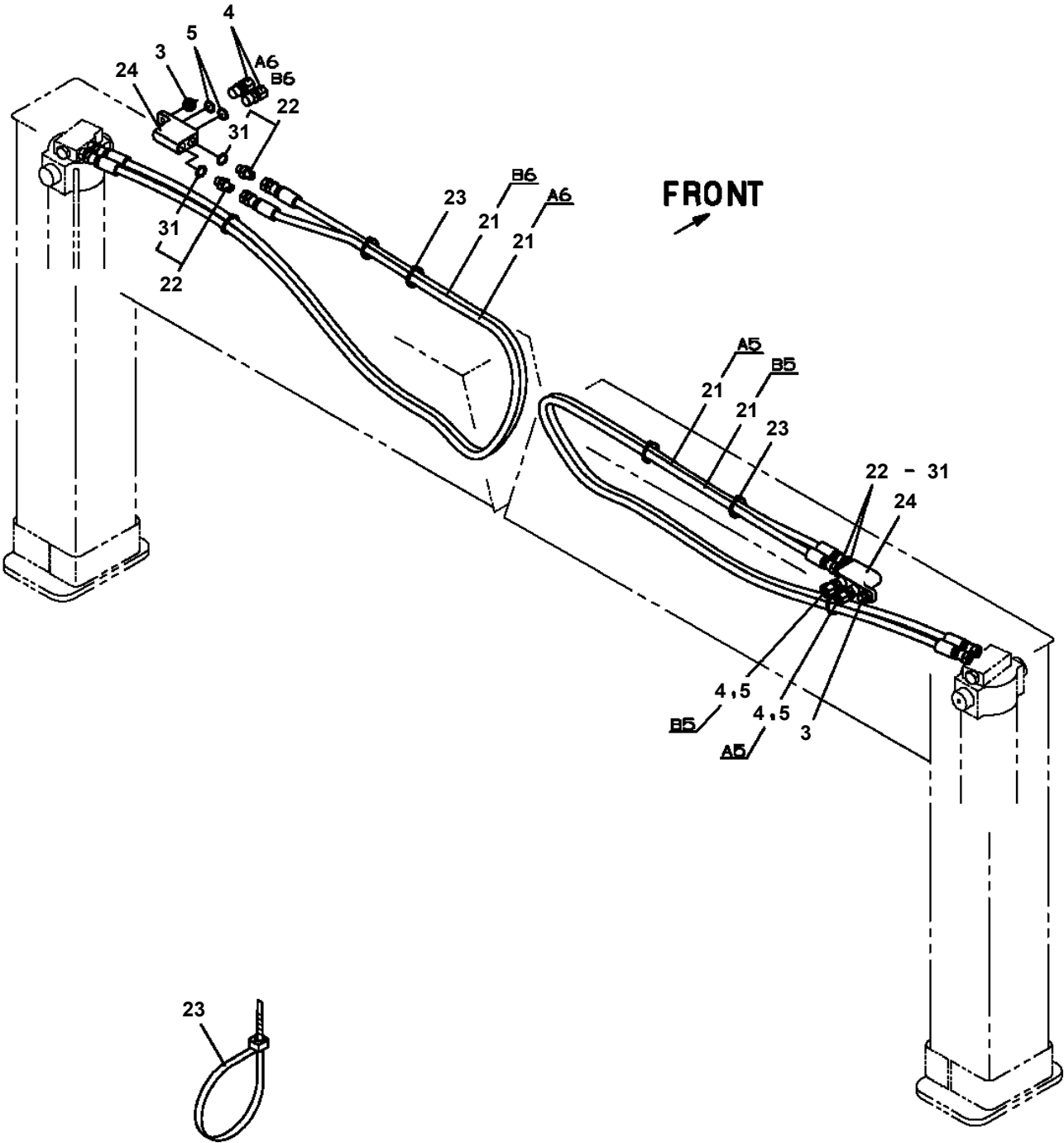


STD

**TM-ZE500 41050501153A FRAME/PRIM ECO
PP6010099-00 PIPING ASSY (ACCELERATOR)**

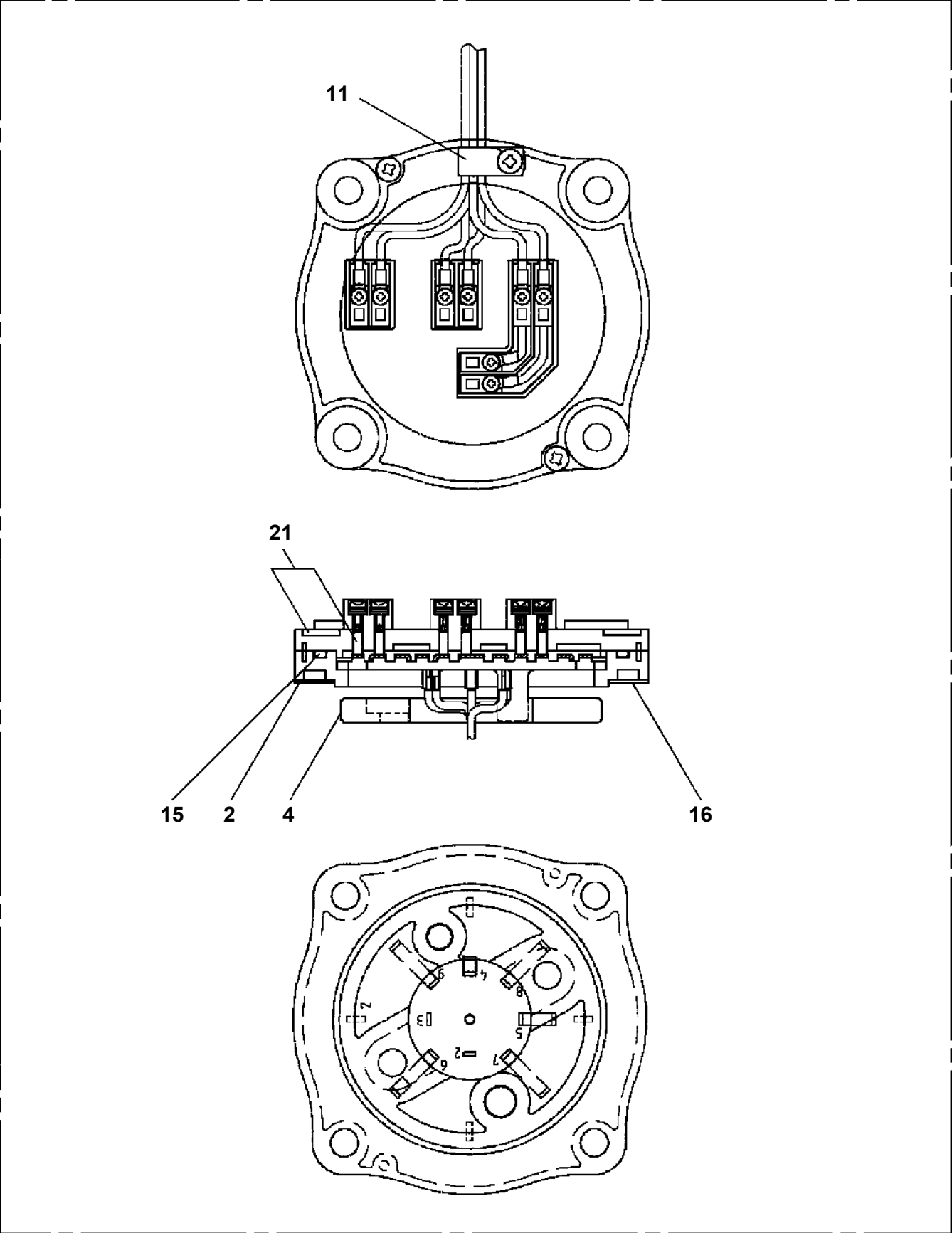


TM-ZE500 41050501153A FRAME/PRIM ECO
PP6220053-00 PIPING ASSY,OUTRIGGER

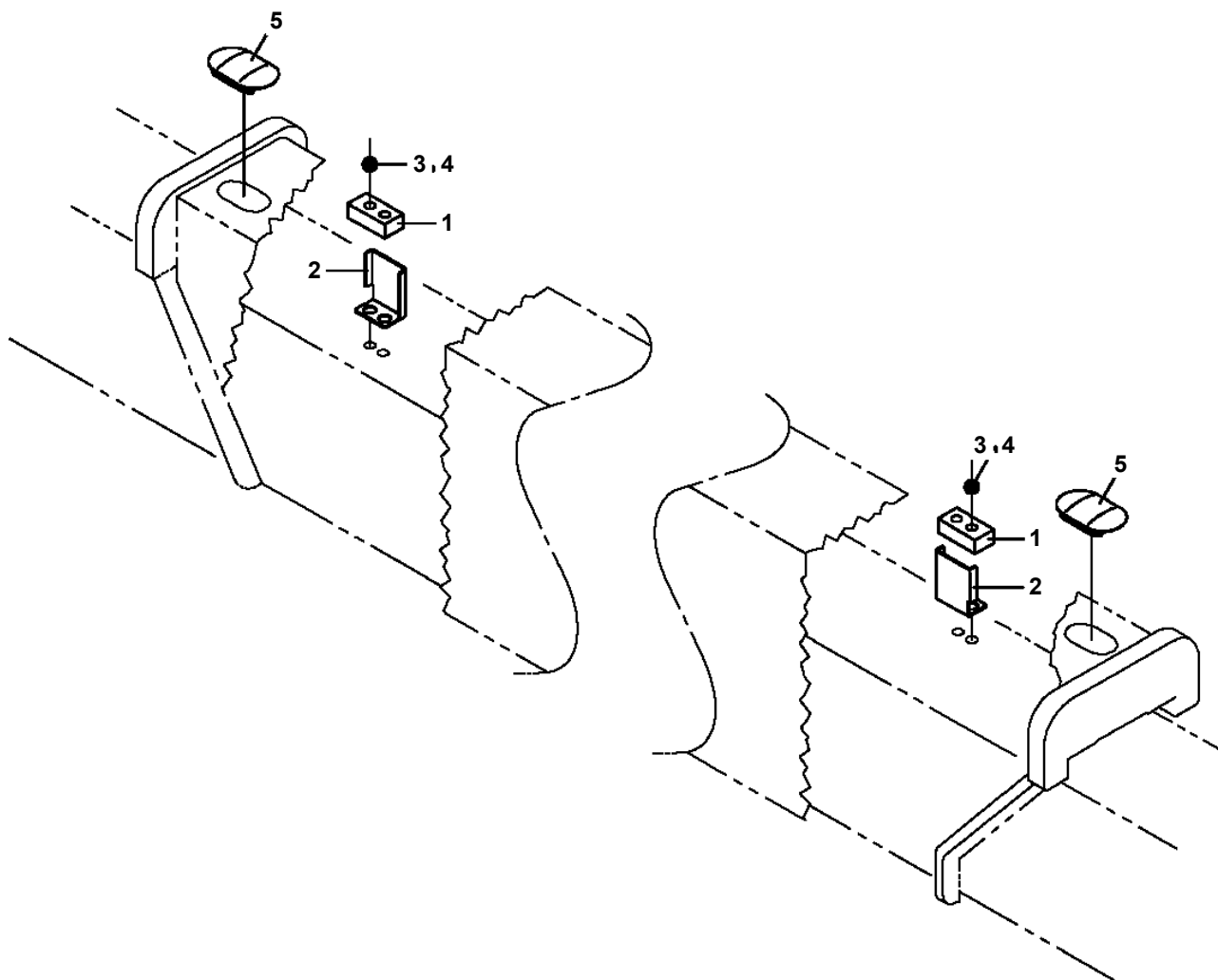


TM-ZE500 41050501153A FRAME/PRIM ECO
PR5130007-00 RING ASSY,SLIP

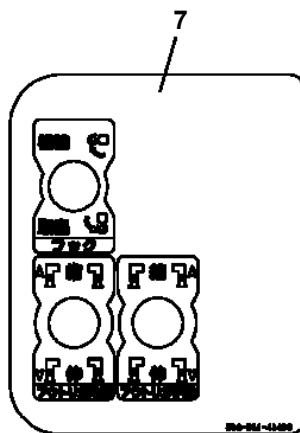
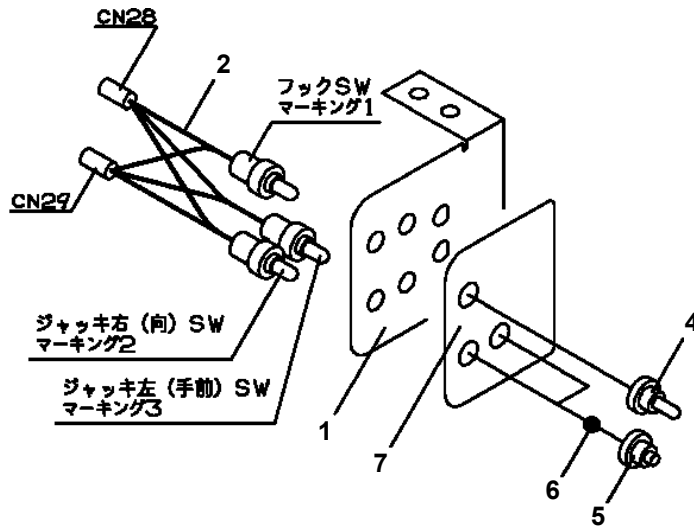
900



**TM-ZE500 41050501153A FRAME/PRIM ECO
PS5380001-00 STOPPER ASSY (OUTRIGGER)**



TM-ZE500 41050501153A FRAME/PRIM ECO
PS5530268-00 SWITCH ASSY



**TM-ZE500 41050501153A FRAME/PRIM ECO
PV1000075-02 REMOTE CONTROL SYSTEM**

リモート コントロール システム
REMOTE CONTROL SYSTEM

〔組立名称一覧〕より選択してください。
SEE THE CORRESPONDING "ASSEMBLY NAME" LIST.

TM-ZE500 41050501153A FRAME/PRIM ECO

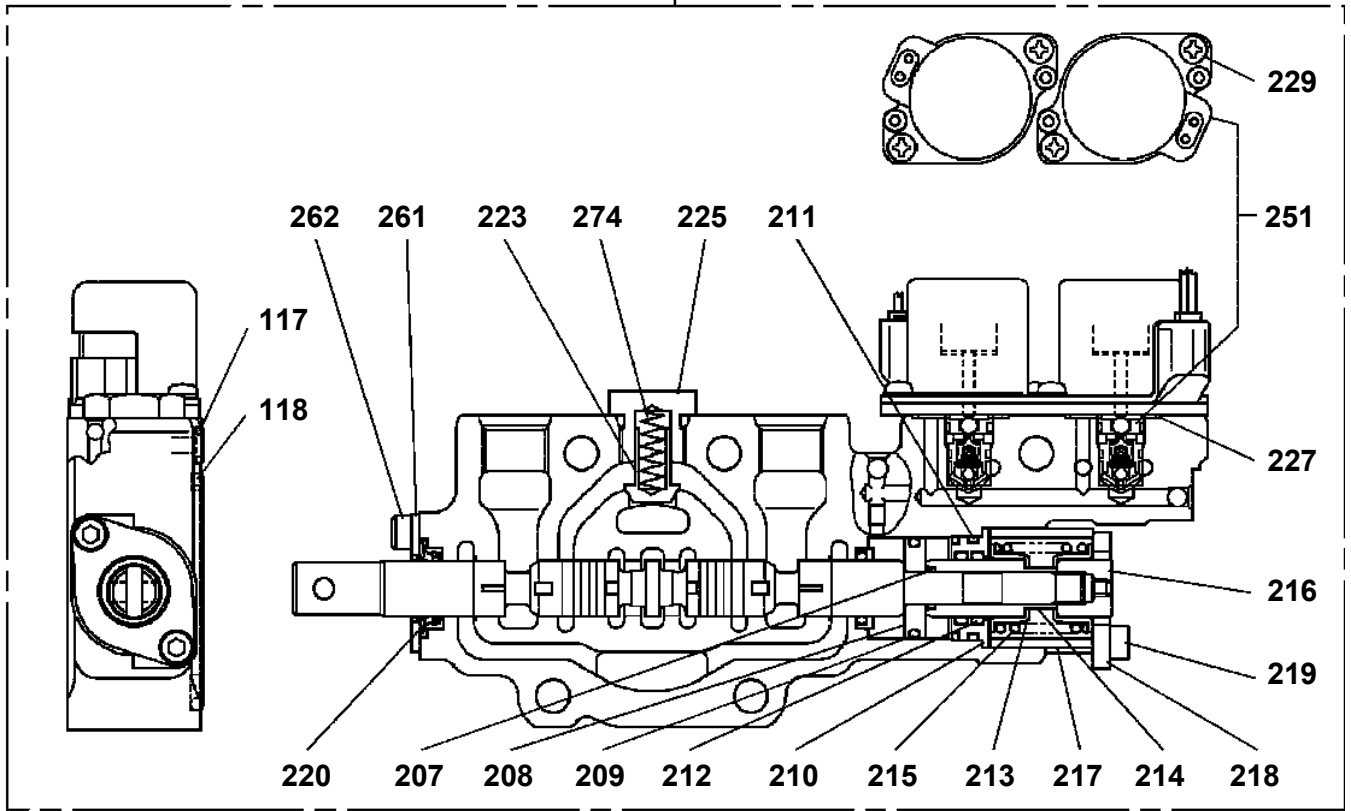
Pos No.	Parts No	Parts Name	Qty	Unit	Technical Data	Serial No (Start)	Serial No (End)	Remarks
210	91001002600	O-RING	2		S26			
211	36647395150	PLUG	1		M24			
212	36646875130	ORIFICE	1		M3			
213	91001101600	O-RING	1		1A P16			
214	36646265090	SPRING (B)	1					
215	36646265080	SPRING (A)	1					
216	36645615210	PLUG	1		24			
217	80316030060	PLUG	1		PT3/8			
220	90303070401	WASHER,PLAIN	1		4			
304	36646875150	ORIFICE	1		M3			
305	91002800700	O-RING	1		1B P7			
308	36647175100	SEAT,SPRING	1					
309	36635735120	SPRING	1					
310	12635101130	SCREW (ADJUSTING)	1					
311	11629431040	PACKING	2					
312	36646575090	NUT	1					
313	36630195030	NUT,CAP	1					
314	91001102200	O-RING	1		1A P22			
315	12635101110	SPRING (RETURN)	1					
318	91002802100	O-RING	1		1B P21			
319	36646865160	SEAT,SPRING	1					
320	36635735140	SPRING (B)	1					
321	36635735130	SPRING (A)	1					
322	91001001800	O-RING	2		S18			
323	36646865150	COVER (FOR SOLENOID)	1					
325	36646865170	ROD,PUSH	1		8			
326	36740765070	SOLENOID ASSY	1					
327	36640735130	PLUG	1		M6			
328	36642065070	WASHER,SEAL	2					
329	90203200600	NUT	1		M6			
330	36640735140	NUT,CAP	1		M6			
331	36640625680	TUBE (SEAL)	1					
332	16623320390	TUBE (SEAL)	1					
425	36740745140	SCREW,MACHINE	16		M4X12			
432	36740855030	VALVE,SOLENOID (KIT)	8					
500	36740800001	VALVE,REMOTE CONTROL	1					

TM-ZE500 41050501153A FRAME/PRIM ECO

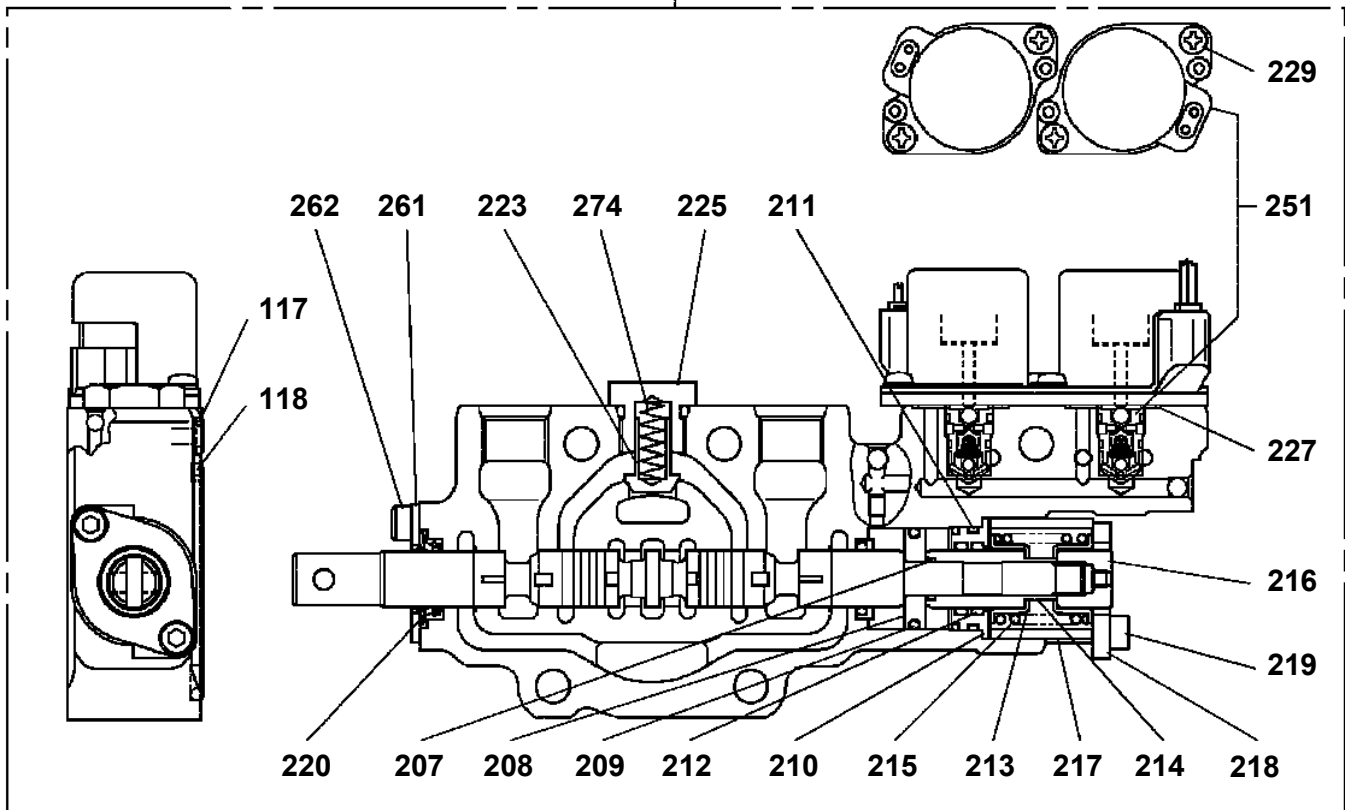
Pos No.	Parts No	Parts Name	Qty	Unit	Technical Data	Serial No (Start)	Serial No (End)	Re
1	(*****)	RADIO CONTROL	1					
2	(*****)	PLATE ASSY,NAME (SWITCH,BOX)	1					

TM-ZE500 41050501153A FRAME/PRIM ECO
PV5150006-03 VALVE ASSY,REMOTE CONTROL

8

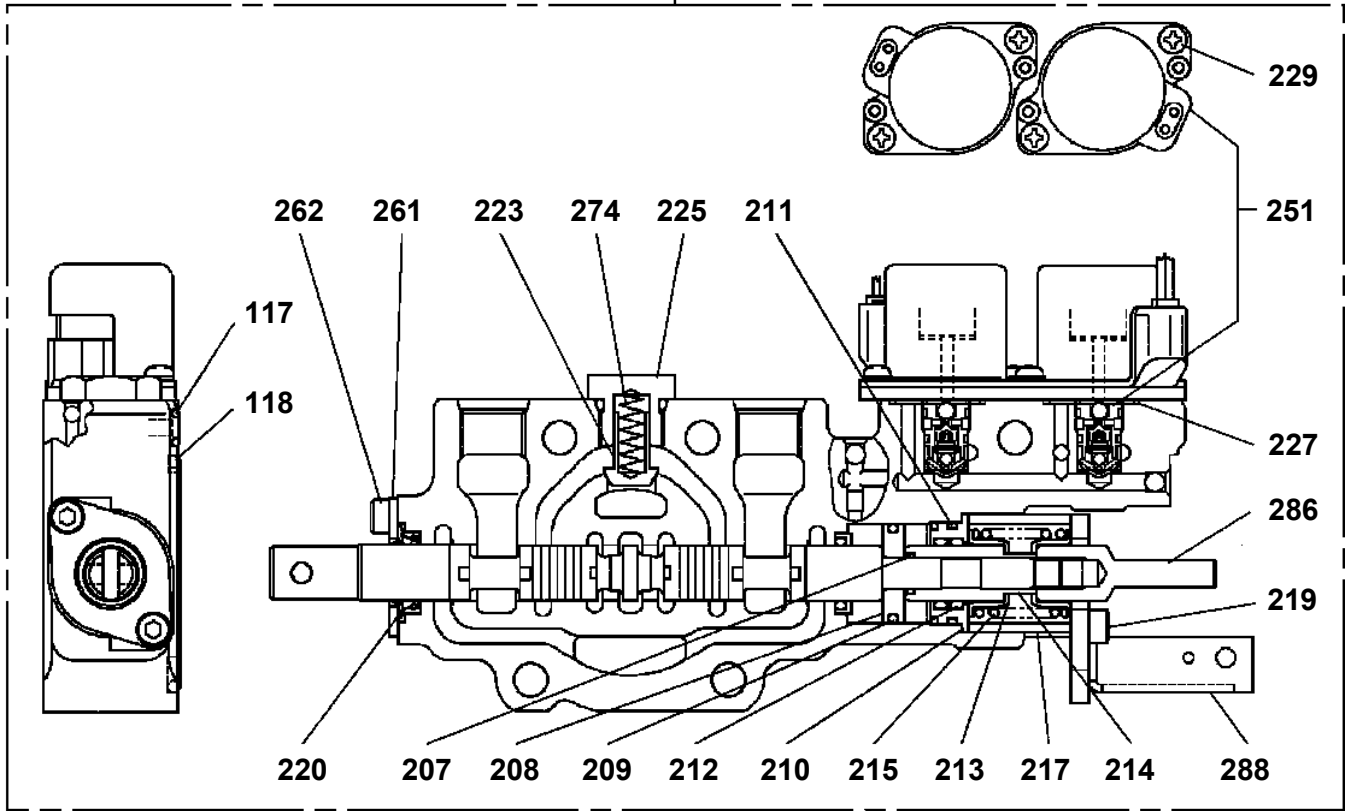


9

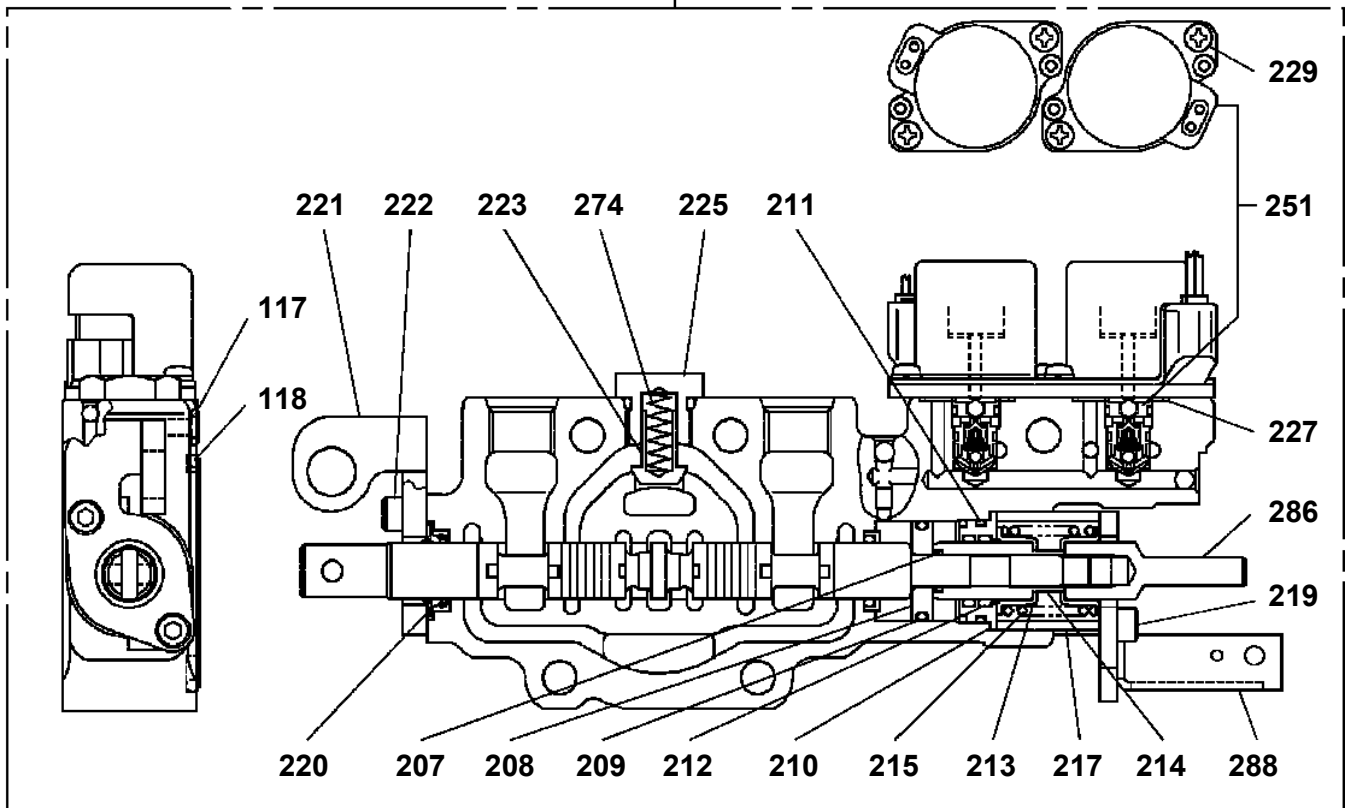


TM-ZE500 41050501153A FRAME/PRIM ECO
PV5150008-02 VALVE ASSY,REMOTE CONTROL

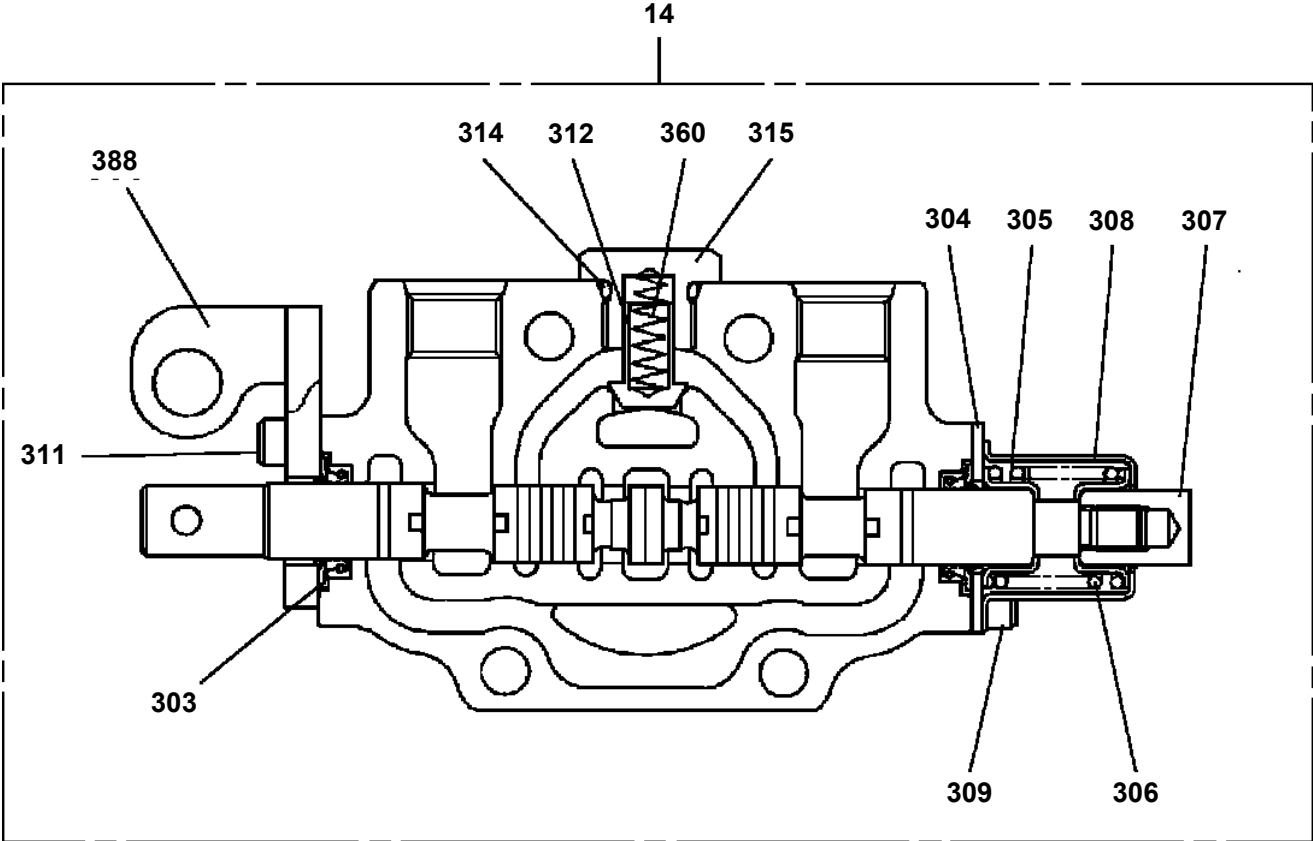
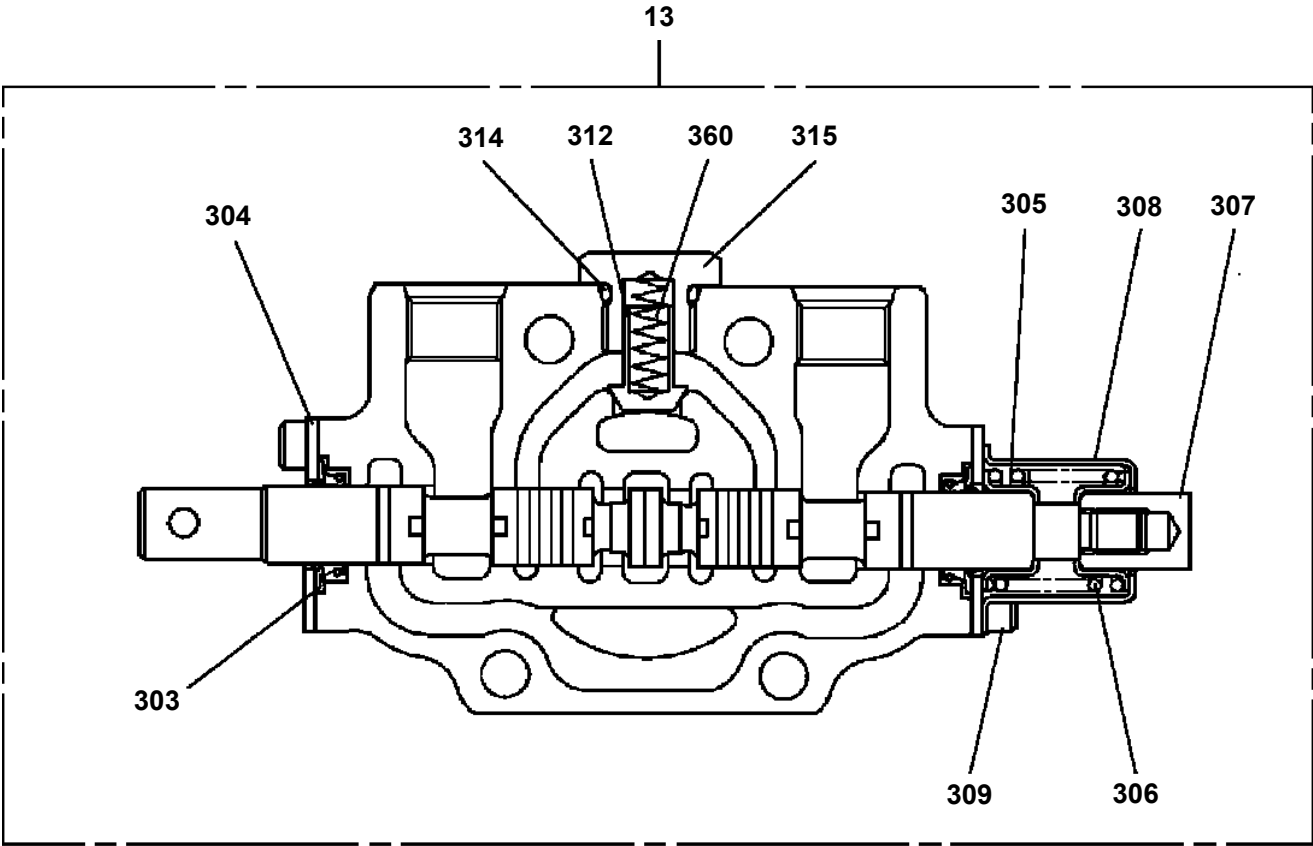
10



11



TM-ZE500 41050501153A FRAME/PRIM ECO
PV5180001-00 VALVE ASSY,SELECTOR (MANUAL CONT.)



TM-ZE500 41050501153A FRAME/PRIM ECO

Pos No.	Parts No	Parts Name	Qty	Unit	Technical Data	Serial No (Start)	Serial No (End)	Remarks	Pa
1	(*****)	PIPING ASSY	1						00
2	(*****)	OPE.ASSY,CONT.VALVE	1						00
3	(*****)	PLATE ASSY,NAME	1						00

TM-ZE500 41050501153A FRAME/PRIM ECO

Pos No.	Parts No	Parts Name	Qty	Unit	Technical Data	Serial No (Start)	Serial No (End)	Remarks	Pages
1	31360202500	SUPPORT	2						

TM-ZE500 41050501153A FRAME/PRIM ECO

Pos No.	Parts No	Parts Name	Qty	Unit	Technical Data	Serial No (Start)	Serial No (End)	Remark
1	(*****)	OPE.ASSY,ACCELERATOR	1					
2	(*****)	ELEC.ASSY (FRAME)	1					
3	(*****)	PIPING ASSY (ACCELERATOR)	1					

TM-ZE500 41050501153A FRAME/PRIM ECO
PY2000230-06 OPTIONS (ZE500STD)

指示番号 KEY NO.	部品名称 PART NAME	備考 REMARK
1	ロックASSY LOCK ASSY	ジャッキインターロック (H・HR・PH・PHR用)
2	ロックASSY LOCK ASSY	ジャッキインターロック (HE・HRE・HREN・PHE・PHRE・PHREN用)
5	ハイセンASSY ELEC.ASSY	非常スイッチ追加 (両側対応) (P仕様除く)
6	オペ . ASSY, ソウサバ ^レ ルブ ^レ OPE . ASSY, CONT . VALVE	両側ジャッキレバー (U社配列共通) (H・HR・HE・HRE・HREN用)
8	ラジ ^コ ンASSY RADIO CONTROLLER ASSY	既納車ラジコン (MH用)
9	ラジ ^コ ンASSY RADIO CONTROLLER ASSY	既納車ラジコン (MHU用)
10	マウントASSY MOUNT ASSY	メガ式ガバナ車用エンジンコントロール (ZE500STDP以外), 適合製番: ~#PA0156
11	マウントASSY MOUNT ASSY	メカ式ガバナ車用エンジンコントロール (ZE500STDP), 適合製番: ~#PA0156
12	マウントASSY MOUNT ASSY	4速電磁バルブ (ラジコン操作) ボデースライドおよびセルフウィンチ用, 適合製番: ~#PA0156
14	アウトリカ ^ア ASSY, リヤ OUTRIGGER ASSY, REAR	手動バルブ 回転格納式 ジャッキストローク330mm (低床車用)
15	セイノウメイバ ^ン PERFORMANCE DATA	全周同一 和文性能銘板 (C性能) ZE503
16	フレームASSY FRAME ASSY	関電工向け キャブバックアウトリガ S13B017
17 ↓ N/A	オペ . ASSY, ソウサバ ^レ ルブ ^レ OPE . ASSY, CONT . VALVE	両側ジャッキレバー (S13B040対応)
18	ロックASSY LOCK ASSY	ホースフリージャッキインターロック (H・HR用)
19	ロックASSY LOCK ASSY	ホースフリージャッキインターロック (HE・HRE・HREN用)
20	マウントASSY MOUNT ASSY	メカ式ガバナ車用エンジンコントロール (ZE500STDP以外), 適合製番: #PA0157~#PA962
21	マウントASSY MOUNT ASSY	メカ式ガバナ車用エンジンコントロール (ZE500STDP), 適合製番: #PA0157~#PA962

適用製造番号によっては取り付けがないものもあります。

MACHINES OF SOME SERIAL NO. ARE NOT EQUIPPED WITH THESE PARTS.

TM-ZE500 41050501153A FRAME/PRIM ECO

Pos No.	Parts No	Parts Name	Qty	Unit	Technical Data	Serial No (Start)	Serial No (End)	Remarks
1	(*****)	ALARM ASSY (OUTRIGGER)	1					
4	(*****)	ELEC.ASSY (CARRIER)	1					
6	(*****)	PLATE ASSY,NAME	1					
7	(*****)	ELEC.ASSY (HARNESS)	1					

TM-ZE500 41050501153A FRAME/PRIM ECO

Pos No.	Parts No	Parts Name	Qty	Unit	Technical Data	Serial No (Start)	Serial No (End)	Remarks
1	(*****)	ALARM ASSY (OUTRIGGER)	1					
2	(*****)	ELEC.ASSY (FRAME)	1					
3	(*****)	ELEC.ASSY (CARRIER)	1					
5	(*****)	PLATE ASSY,NAME	1					
6	(*****)	ELEC.ASSY (HARNESS)	1					

TM-ZE500 41050501153A FRAME/PRIM ECO

Pos No.	Parts No	Parts Name	Qty	Unit	Technical Data	Serial No (Start)
3	(*****)	ELEC.ASSY (CARRIER)	1			
5	(*****)	PLATE ASSY,NAME (BOOM,ELEV. STOWING FAILURE)	1			

TM-ZE500 41050501153A FRAME/PRIM ECO

Pos No.	Parts No	Parts Name	Qty	Unit	Technical Data	Serial No (Start)	Serial No (End)
4	(*****)	NAME PLATE ASSY (STOP SPEC. & JCAS)	1				
5	(*****)	PIPING ASSY	1				
6	(*****)	PERFORMANCE DATA (SELEC.TABLE)	1				
7	(*****)	ELEC.ASSY	1				

TM-ZE500 41050501153A FRAME/PRIM ECO

Pos No.	Parts No	Parts Name	Qty	Unit	Technical Data	Serial No (Start)	Serial No (End)
8	91810130250	FASTENER	4				
16	36132390003	DETECTOR ASSY,LENGTH (BOOM)	1				
17	36140800000	DETECTOR ASSY,ANGLE (ASSY ONLY)	1				
18	37000314890	SPACER	2		L=30		
19	90101206045	BOLT	2		M6X45		
20	82100001804	TUBE,CORRUGATE	2	M	15		
22	90280200600	NUT,FLANGE	4		M6		
24	91810130240	FASTENER	1				
25	82100002052	CLAMP	1				

TM-ZE500 41050501153A FRAME/PRIM ECO

Pos No.	Parts No	Parts Name	Qty	Unit	Technical Data	Serial No (Start)	Serial
1	(*****)	PARTS ASSY,RADIO CONTROLLER	1				
2	(*****)	OPE.ASSY,CONT.VALVE (COMMON)	1				
3	(*****)	ELEC.ASSY (PANEL SWITCH)	1				
4	(*****)	ELEC.ASSY (FRAME SWITCH)	1				
5	(*****)	PIPING ASSY (SWING LOCK)	1				
6	(*****)	PIPING ASSY (VALVE JOINT)	1				
7	(*****)	PIPING,LOWER (RADICON./REPLACE FILTER)	1				
8	36740890000	VALVE ASSY,REMOTE CONTROL	1				
9	(*****)	NAME PLATE ASSY (CONTROL)	1				
10	(*****)	PLATE ASSY,NAME (PANEL)	1				
11	(*****)	OPE.ASSY,CONT.VALVE (TDN-LAYOUT)	1				
12	(*****)	ELEC.ASSY (JACK CONTROL)	1				
13	(*****)	NAME PLATE ASSY (JACK CONTROL)	1				

CLICK HERE TO **DOWNLOAD** THE COMPLETE MANUAL

- Thank you very much for reading the preview of the manual.
- You can download the complete manual from: www.heydownloads.com by clicking the link below



- Please note: If there is no response to CLICKING the link, please download this PDF first and then click on it.

CLICK HERE TO **DOWNLOAD** THE COMPLETE MANUAL