

TM-ZE260 41047502006A BOOM/6 SECT.

PB0000141-01 SYSTEM (ZE290,DOMESTIC)

PB0000150-01 SYSTEM (ZE260,DOMESTIC)

ASSEMBLY

CLICK HERE TO **DOWNLOAD** THE COMPLETE MANUAL

- Thank you very much for reading the preview of the manual.
- You can download the complete manual from: www.heydownloads.com by clicking the link below



- Please note: If there is no response to CLICKING the link, please download this PDF first and then click on it.

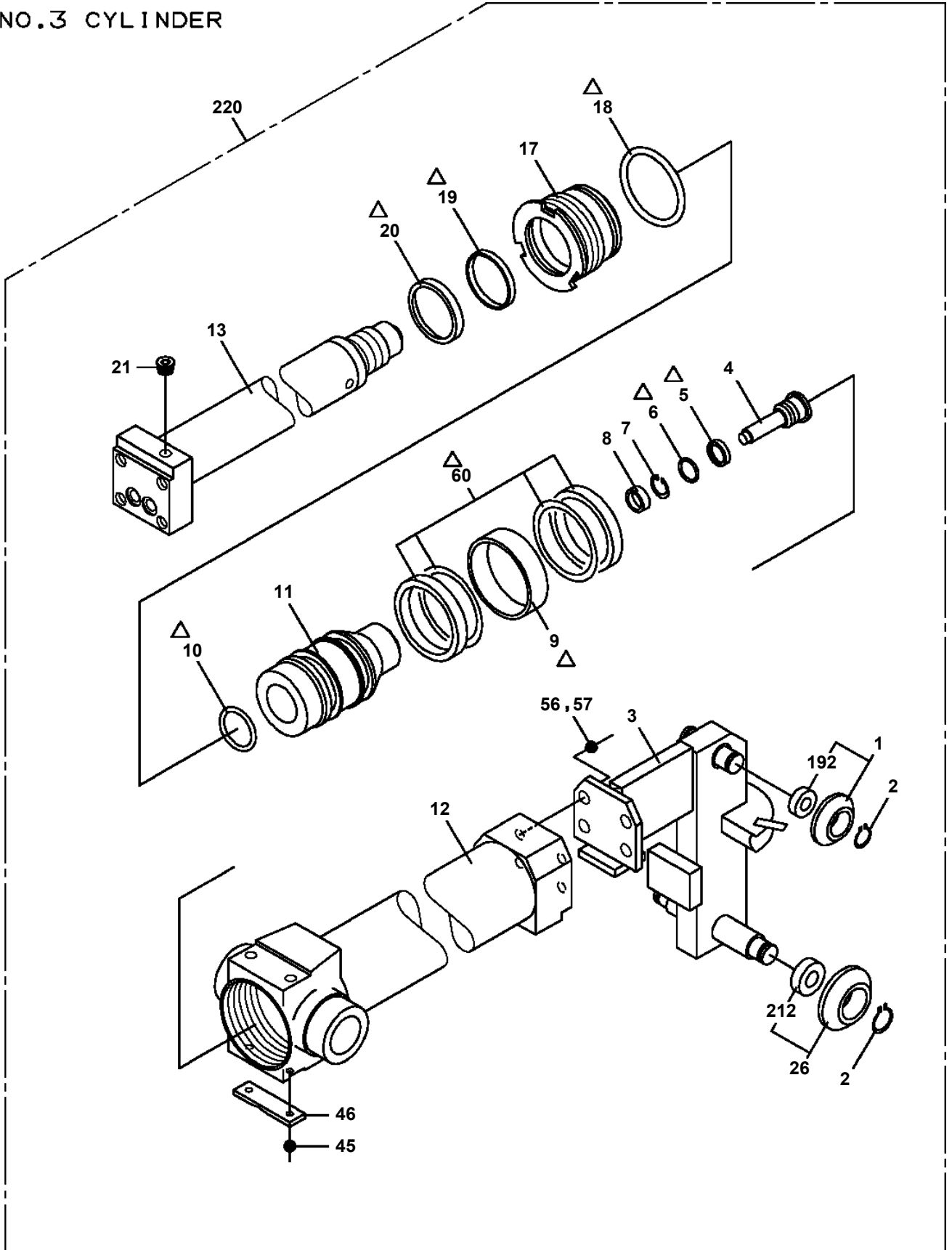
CLICK HERE TO **DOWNLOAD** THE COMPLETE MANUAL

TM-ZE260 41047502006A BOOM/6 SECT.

Pos No.	Parts No	Parts Name	Qty	Unit	Technical Data	Serial No (Start)	Serial No (End)
111	91002801400	O-RING	3		1B P14		
112	37001201560	SPRING	2				
113	12645733000	VALVE,CHECK	1				
114	36622730200	ROD	1				
	36622730200	ROD	1				DE3537
115	91001100600	O-RING	2		1A P6		
116	91411000600	RING,BACKUP	2		P6		
117	36623280100	CAP	1				
119	91001202500	O-RING	2		1A G25		
120	91002801500	O-RING	2		1B P15		
121	90131908085	BOLT,HEXAGON SOCKET	4		M8X85		
123	36622730500	SPACER	2		L=5		
144	36625270200	ROD	1			DE3538	
147	36622730400	CAP	1				
151	90131708025	BOLT,HEXAGON SOCKET	4		M8X25		
152	80316090020	PLUG	1		KKT PT1/8		
160	36014569900	PACKING SET	1		40X60		
170	36014629910	PACKING SET	1		40X55		
180	36016169910	PACKING SET	1		40X55		
192	80516006002	BEARING,BALL	4				
200	36016169510	CYLINDER,TELESCOPING (NO.1)	1				
210	36016169520	CYLINDER,TELESCOPING (NO.2)	1				
212	80516006202	BEARING,BALL	4				
220	36016169530	CYLINDER,TELESCOPING (NO.3)	1				
300	36016160000	CYLINDER ASSY,TELESCOPING	1				

**TM-ZE260 41047502006A BOOM/6 SECT.
PC6470049-02 CYLINDER ASSY,TELESCOPING**

NO.3 CYLINDER



Δ::PACKING SET KEY NO.180 (KEY NO.5,6,9,10,18,19,20,60)

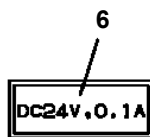
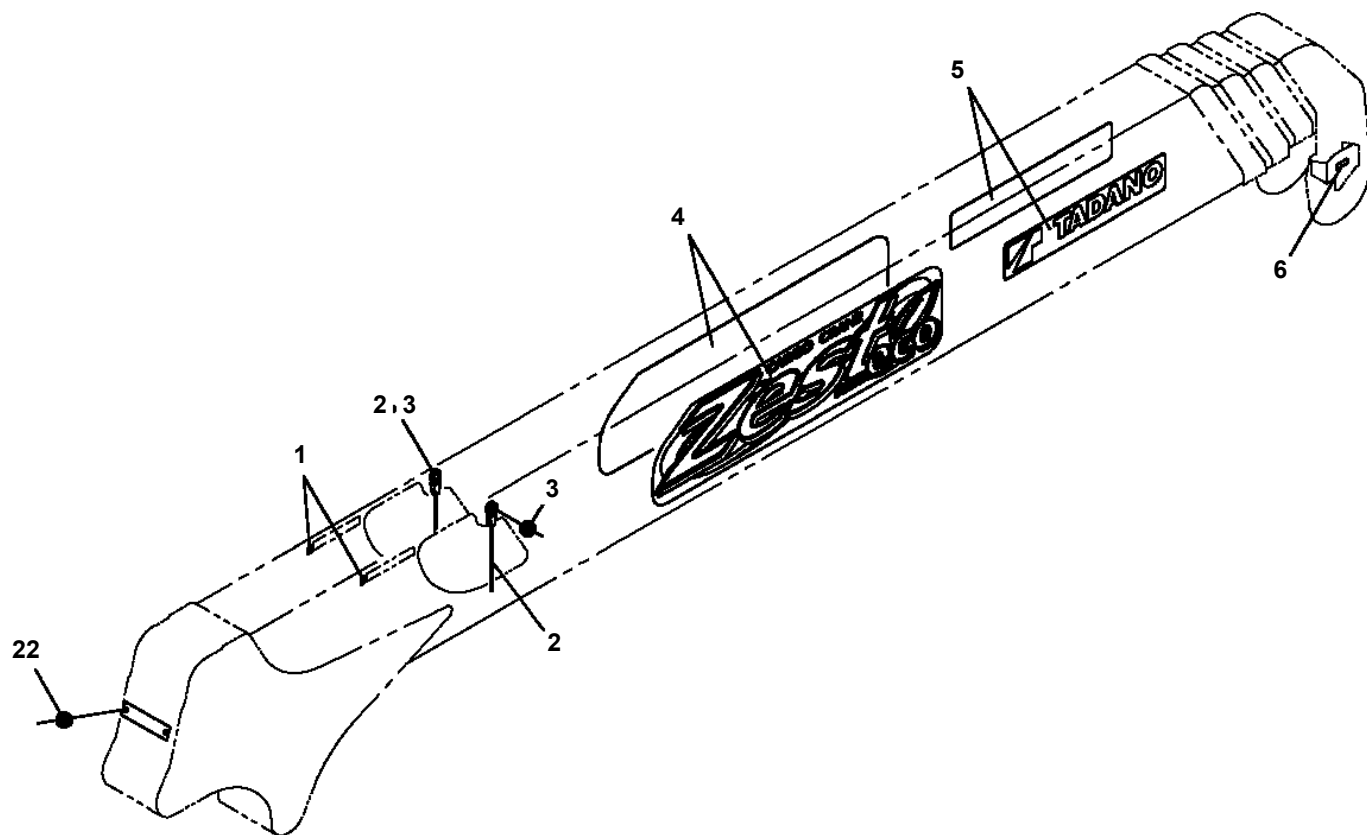
TM-ZE260 41047502006A BOOM/6 SECT.

Pos No.	Parts No	Parts Name	Qty	Unit	Technical Data	Serial No (Start)	Serial No (End)	Rem
61	90264201000	NUT	4		M10			
62	37000306410	SPACER	1					
63	37001007150	SHEAVE ASSY	2				DE7999	
	37001009560	SHEAVE ASSY	2			DE8000		
64	37000150110	PIN	1					
65	37002007370	PLATE,SLIDE	2					
66	31200746700	RETAINER	4					
67	31201000460	SHIM	2					
68	37001107720	ROLLER ASSY	1					
69	37000301570	SPACER	1					
70	37000308850	SPACER	2		L=8.5			
71	37000160580	PIN	1					
72	37002213970	PLATE,NAME (MARKING)	1					
73	37001912660	ROPE,WIRE (KOKOKU)	1					
	37001912650	ROPE,WIRE (TESAC)	1					
	37001922370	ROPE,WIRE (KISWIRE)	1		8X4.99M			
74	90201201200	NUT	4		M12			
75	37001601600	NUT	4					
76	37001917870	ROPE,WIRE (KOKOKU)	1		7X5.25M			
	37001917860	ROPE,WIRE (TESAC)	1		7X5.25M			
	37001922360	ROPE,WIRE (KISWIRE)	1		7X5.25M			
77	90187706010	BOLT,HEXAGON SOCKET	2		M6X10			
78	37001915940	ROPE,WIRE (TESAC)	1		6			
	37001922380	ROPE,WIRE (KISWIRE)	1		6X9.77M			
79	37001922400	ROPE,WIRE (KISWIRE)	1		6X9.495M			
	37001915900	ROPE,WIRE (TESAC)	1		6X9.495M			
80	31201620300	SUPPORT	2					
81	80602110250	RING,RITAINING	2		R25			
83	90303070801	WASHER,PLAIN	2		8			
100	82400000459	CAP	1					
117	31202638010	SUPPORT ASSY	1					
119	31201571100	SUPPORT	2					
121	37000588660	PLATE	8					
122	31205341210	SUPPORT	2					
123	31201153230	SUPPORT	2					
129	31202632110	SUPPORT	1					
144	31202678020	SUPPORT ASSY	1					
153	31205454060	SUPPORT	1					
159	31201165210	SUPPORT	2					
167	31205455150	SUPPORT	1					
178	31205324300	SUPPORT	1					
192	80530000222	BEARING,BALL (NACHI)	2					
	80530000224	BEARING,BALL (KOYO SEIKO)	2					
	31205310110	BEARING,BALL (IP)	2			DE3239		
201	31202550310	SUPPORT	1					
202	37001101900	ROLLER	1					
203	80601110120	RING,RITAINING	2		S12			
204	37000173800	PIN	1					
212	80530000227	BEARING,BALL	2					
222	80516006002	BEARING,BALL	2					
242	80516006207	BEARING,BALL	2				DE7999	
	36093861100	BEARING,BALL	2			DE8000		
252	80516006902	BEARING,BALL	2					
	31205310210	BEARING,BALL (IP)	2			DE1549		
271	80516006307	BEARING,BALL	2					

TM-ZE260 41047502006A BOOM/6 SECT.

Pos No.	Parts No	Parts Name	Qty	Unit	Technical Data	Serial No (Start)	Serial
1	14148375000	GROMMET	1				
2	90302040601	WASHER,SPRING	2		6		
3	80182306014	SCREW,MACHINE	2		M6X14		
4	90303070601	WASHER,PLAIN	2		6		
5	31371922000	SWITCH ASSY (ASSY ONLY)	1				DE929
	31373350000	SWITCH ASSY (ASSY ONLY)	1			DE9294	
6	82401600504	CLAMP	3		D=4.5		DE929
	82401600504	CLAMP	1		D=4.5	DE9294	
7	31371283000	SUPPORT	1				
8	91810130230	FASTENER	6				
9	31371923500	DETECTOR,OVER WIND (CHAIN,FOR WEIGHT)	1				
10	31371923000	WEIGHT	1				
11	31371210110	ROLLER	8				
12	37000122350	PIN	8				
13	80136320016	PIN,SPLIT	8		2X16		
14	90186208010	BOLT,FLANGE	6		M8X10		
15	31373100200	COVER	1				
16	31373101000	SUPPORT ASSY	1				
17	91810130240	FASTENER	6				DE929
	91810130240	FASTENER	7			DE9294	
19	82400000216	GROMMET	2		C30NG79-H		
20	14118158000	GROMMET	1				
21	82400000095	GROMMET	1				
22	91850310305	CLAMP	1			DE9294	
31	31373101100	SUPPORT	1				
32	90303071201	WASHER,PLAIN	2		12		
33	37001107620	ROLLER	1				
34	37000172930	PIN	1				
35	80136332020	PIN,SPLIT	1		3.2X20		

TM-ZE260 41047502006A BOOM/6 SECT.
PN5010785-00 PLATE ASSY,NAME (ZEST ECO/NEW LOGO)



CLICK HERE TO **DOWNLOAD** THE COMPLETE MANUAL

- Thank you very much for reading the preview of the manual.
- You can download the complete manual from: www.heydownloads.com by clicking the link below



- Please note: If there is no response to CLICKING the link, please download this PDF first and then click on it.

CLICK HERE TO **DOWNLOAD** THE COMPLETE MANUAL