

TM-ZE300 41044502056A BOOM/6 SECT.,HOOK-IN,SAFETY EYES

PB0000062-01 SYSTEM (ZE300,DOMESTIC)

PB0000066-01 SYSTEM (ZE360,DOMESTIC)

ASSEMBLY

CLICK HERE TO **DOWNLOAD** THE COMPLETE MANUAL

- Thank you very much for reading the preview of the manual.
- You can download the complete manual from: www.heydownloads.com by clicking the link below



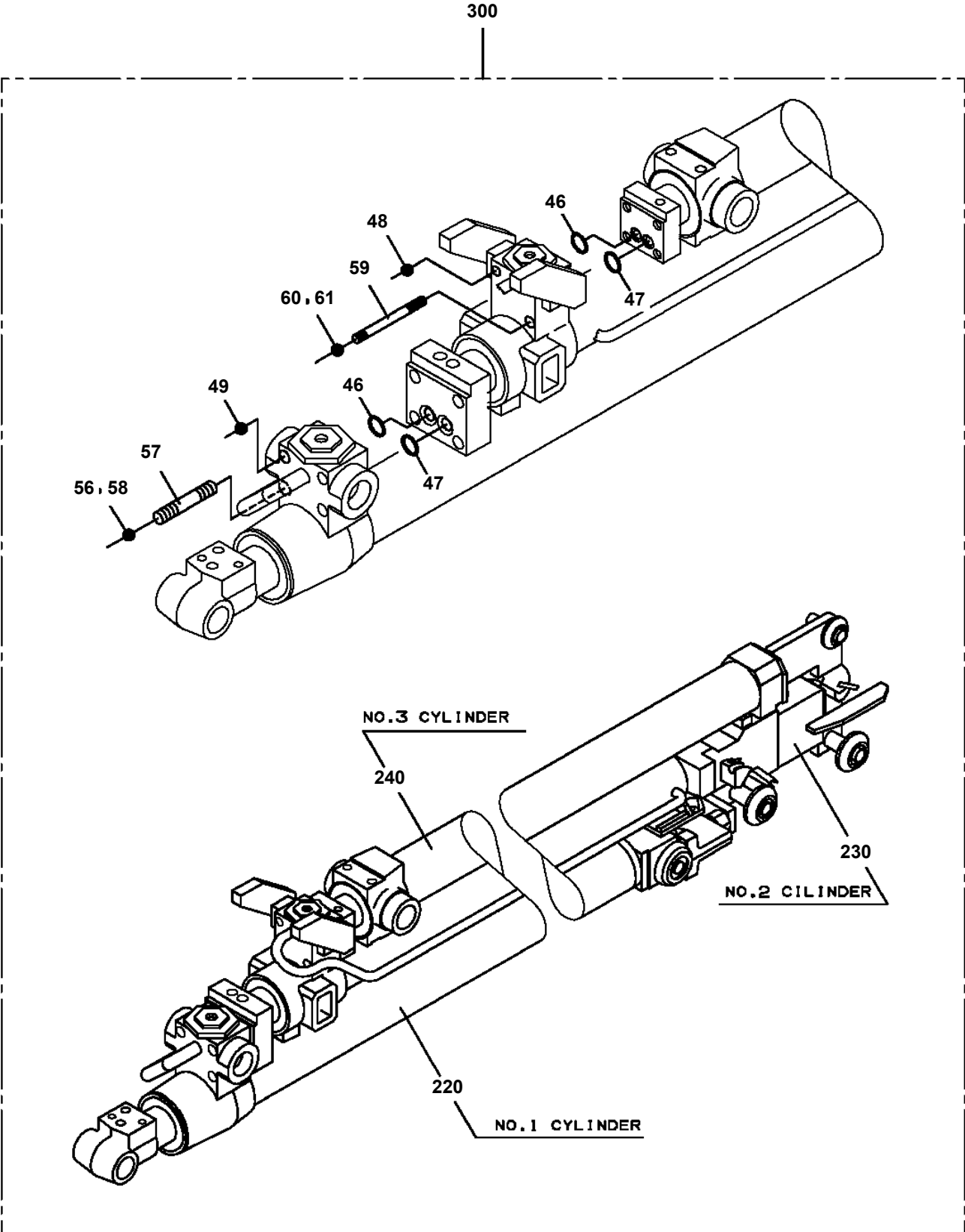
- Please note: If there is no response to CLICKING the link, please download this PDF first and then click on it.

CLICK HERE TO **DOWNLOAD** THE COMPLETE MANUAL

TM-ZE300 41044502056A BOOM/6 SECT.,HOOK-IN,SAFETY EYES

Pos No.	Parts No	Parts Name	Qty	Unit	Technical Data	Serial No (Start)	Serial No (End)
1	37001100390	ROLLER ASSY	2				
2	80601110150	RING,RITAINING	8		15		
3	36016060500	SUPPORT	1				
4	36016030300	PLUNGER	1				
5	91411001600	RING,BACKUP	1		P16		
6	91002801600	O-RING	3		1B P16		
7	80640100160	RING,RITAINING	1		IRTW-16		
8	36016030350	SEAL	1				
9	91350205500	BEARING,PLAIN (WITH PACKINGX2)	2				
10	91002802500	O-RING	1		1B P25		
11	36016060600	PISTON	1				
12	36016061000	CYLINDER	1				
13	36016062000	ROD	1				
14	37000402120	BEARING,PLAIN (WITH PACKINGX2)	2				
15	91002803200	O-RING	1		1B P32		
16	36013922500	PISTON	1				
17	36013933500	COVER,ROD	1				
18	91002905000	O-RING	2		1B G50		
19	91694004000	PACKING	2				
20	91410204001	RING,BACKUP	2				
21	91660004001	SEAL,DUST	2				
22	80316030020	PLUG	5		PT1/8		
23	36011671000	VALVE,CHECK	1				
24	91001103500	O-RING	1		1A P35		
25	36013926000	COVER,ROD	1				
26	91001103800	O-RING	1		1A P38		
27	36011672000	VALVE ASSY,CHECK	1				
28	37001106490	ROLLER ASSY	4				
29	36623280000	VALVE,CHECK	1				
30	36010060340	STOPPER	4				
31	36014320100	PIPE	2				
32	36016063001	CYLINDER	1				
33	36624620000	VALVE,CHECK	1			DE3538	DE3537
	36625270000	VALVE,CHECK	1				
34	36013923000	ROD	1				
35	91350206000	BEARING,PLAIN (WITH PACKINGX2)	1				
36	91002903500	O-RING	1		1B G35		
37	36013793000	PISTON	1				
38	36016064000	CYLINDER	1				
39	91002905500	O-RING	1		1B G55		
40	91410204502	RING,BACKUP	1				
41	91694004500	PACKING	1				
42	36016030600	COVER,ROD	1				
43	91660004501	SEAL,DUST	1				
44	36016032000	ROD	1				
45	37001108230	ROLLER ASSY	2				
46	91001101400	O-RING	2		1A P14		
47	91001101000	O-RING	2		1A P10		
48	90172110065	BOLT,HEXAGON SOCKET	3		M10X65		
49	90172112065	BOLT,HEXAGON SOCKET	3		M12X65		
50	80171304012	SCREW,MACHINE	2		M4X12		
51	37002008830	PLATE,SLIDE	1				
52	90180206010	BOLT,BUTTON	2		M6X10		
53	37002010600	PLATE,SLIDE	1				
54	80175304008	SCREW,MACHINE	4		M4X8		
55	37002006310	PLATE,SLIDE	2				
56	90201781200	NUT	1		M12		
57	90141812070	BOLT,STUD	1		M12X70		
58	90302041201	WASHER,SPRING	1		12		
59	90141810065	BOLT,STUD	1		M10X65		
60	90201781000	NUT	1		M10		
61	90302041001	WASHER,SPRING	1		10		
62	90172108020	BOLT,HEXAGON SOCKET	4		M8X20		

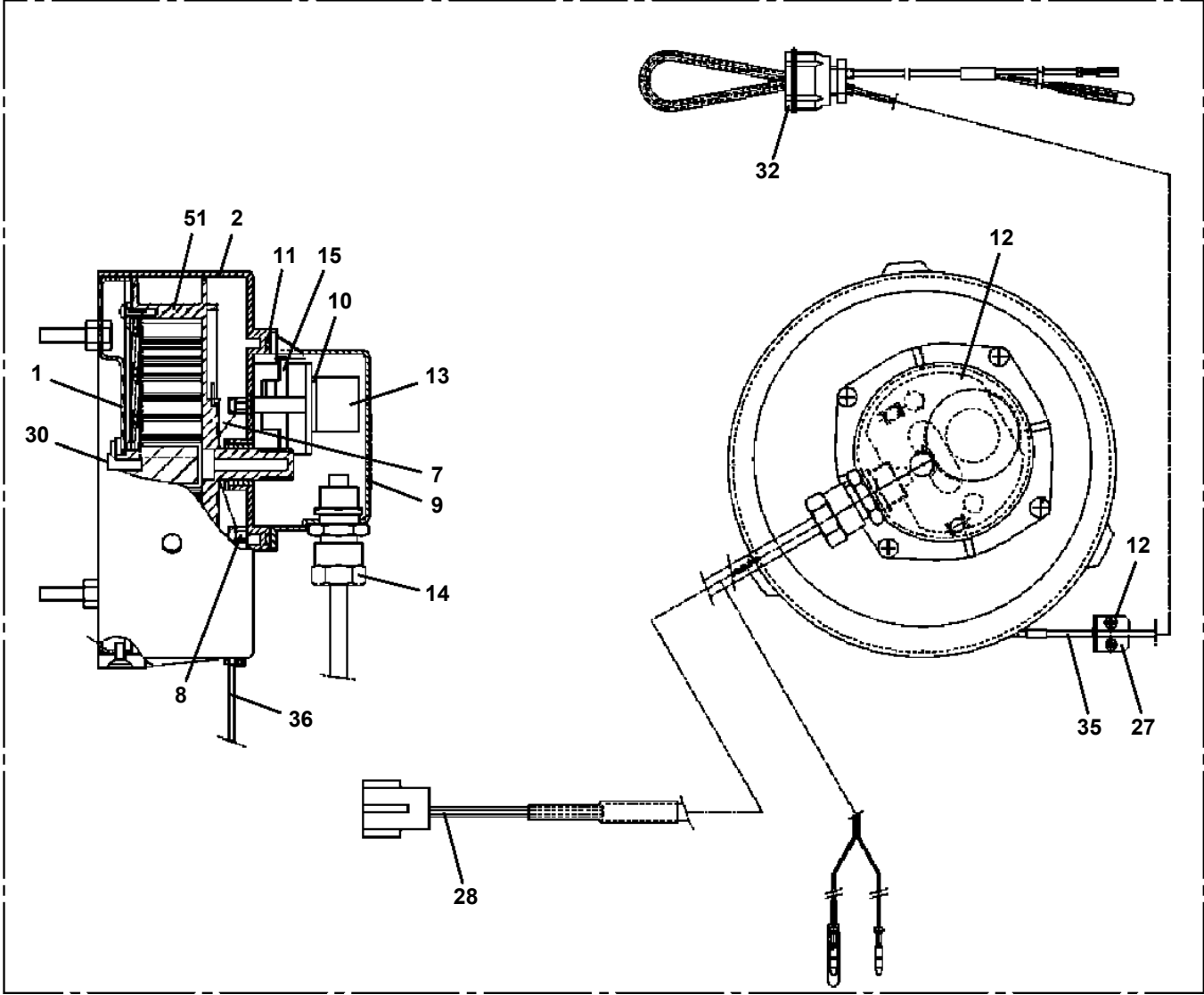
**TM-ZE300 41044502056A BOOM/6 SECT.,HOOK-IN,SAFETY EYES
PC6470056-02 CYLINDER ASSY,TELESCOPING**



展開図有
ILLUSTRATED BREAKDOWN NO. 220 , 230 , 240

TM-ZE300 41044502056A BOOM/6 SECT.,HOOK-IN,SAFETY EYES
PD5080070-00 DETECTOR ASSY,LENGTH (BOOM)

100



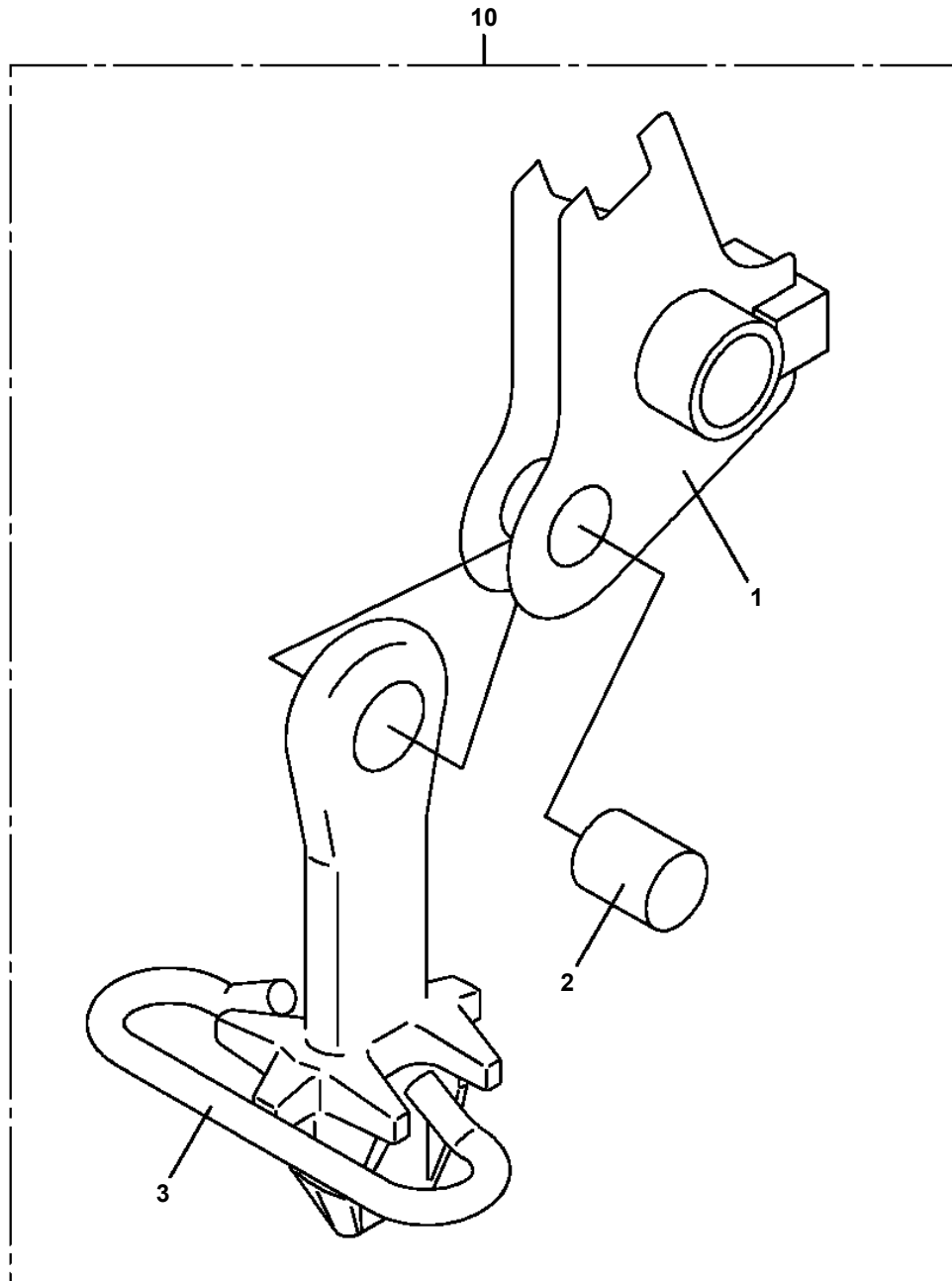
TM-ZE300 41044502056A BOOM/6 SECT.,HOOK-IN,SAFETY EYES

Pos No.	Parts No	Parts Name	Qty	Unit	Technical Data	Serial No (Start)	Serial No (End)	Re
59	37000557330	PLATE	2					
60	82400000459	CAP	4					
61	90201201200	NUT	8		M12			
62	37000310190	SPACER	1					
63	37001007150	SHEAVE ASSY	2				DE7999	
	37001009560	SHEAVE ASSY	2			DE8000		
64	37000202890	PIN	1					
65	37002007990	PLATE,SLIDE	2					
66	31200746700	RETAINER	4					
67	37000559870	PLATE	2					
68	37001107720	ROLLER ASSY	1					
69	37000303240	SPACER	1		L=36.5			
70	37000300570	SPACER	2		L=4			
71	37000160580	PIN	1					
72	37002213970	PLATE,NAME (MARKING)	1					
73	37001921630	ROPE,WIRE (KISWIRE)	1		9X5.94M			
	37001908870	ROPE,WIRE (TESAC)	1		9X5.94M			
74	90201201400	NUT	2		M14			
75	37001601560	NUT	2					
76	37001921610	ROPE,WIRE (KISWIRE)	1		7X6.07M			
	37001910480	ROPE,WIRE (KOKOKU)	1		7X6.07M			
	37001912190	ROPE,WIRE (TESAC)	1		7X6.07M			
77	37001601600	NUT	2					
78	37001912200	ROPE,WIRE (TESAC)	1		7X11.19M			
	37001921640	ROPE,WIRE (KISWIRE)	1		7X11.19M			
	37001910490	ROPE,WIRE (KOKOKU)	1		7X11.19M			
79	37001921650	ROPE,WIRE (KISWIRE)	1		6X10.76M			
	37001915910	ROPE,WIRE (TESAC)	1		6X10.76M			
80	31201620350	SUPPORT	2		T=1.6			
82	31205340050	SPACER	2				DD5746	
83	90303070801	WASHER,PLAIN	2		8			
90	82400000459	CAP	1					
97	31202518030	SUPPORT ASSY	1					
99	31201571100	SUPPORT	2					
101	37000551840	PLATE	12					
102	31205341210	SUPPORT	2					
103	31201153230	SUPPORT	3					
119	31202512110	GUIDE	1					
122	31205343200	SUPPORT	1					
133	31205344250	SUPPORT	1					
139	31201165210	SUPPORT	2					
147	31205345350	SUPPORT	1					
158	31205324300	SUPPORT	1					
162	80530000224	BEARING,BALL (KOYO SEIKO)	2					
	80530000222	BEARING,BALL (NACHI)	2					
	31205310110	BEARING,BALL (IP)	2			DE3239		
171	31202550310	SUPPORT	1					
172	37001101900	ROLLER	1					
173	80601110120	RING,RITAINING	2		S12			
174	37000173800	PIN	1					
182	80530000227	BEARING,BALL	2					
192	80516006002	BEARING,BALL	2					
202	80516006207	BEARING,BALL	2				DE7999	
	36093861100	BEARING,BALL	2			DE8000		
212	80516006902	BEARING,BALL	2					
	31205310210	BEARING,BALL (IP)	2			DE1549		
231	80516006308	BEARING,BALL	2					

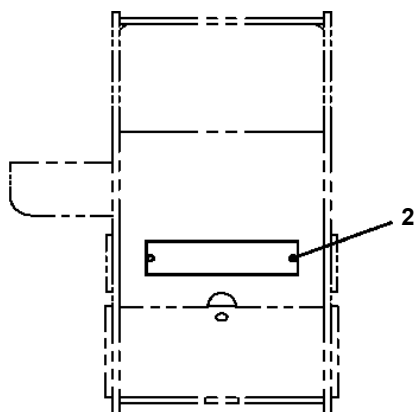
TM-ZE300 41044502056A BOOM/6 SECT.,HOOK-IN,SAFETY EYES

Pos No.	Parts No	Parts Name	Qty	Unit	Technical Data	Serial No (Start)	Serial
1	31371923500	DETECTOR,OVER WIND (CHAIN,FOR WEIGHT)	1				

TM-ZE300 41044502056A BOOM/6 SECT.,HOOK-IN,SAFETY EYES
PL5250045-00 LINK ASSY (WELDED)

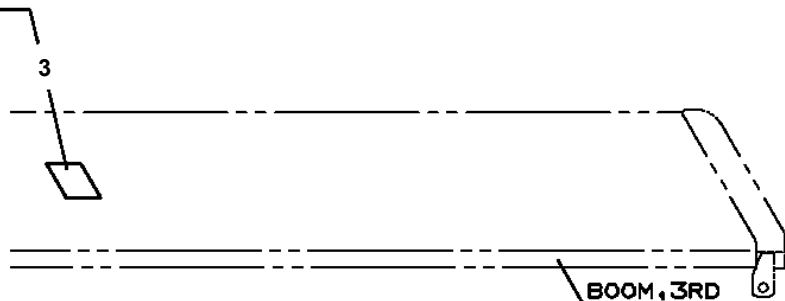


**TM-ZE300 41044502056A BOOM/6 SECT.,HOOK-IN,SAFETY EYES
PO1015026-02 PLATE ASSY,NAME (STAMP)**



**BASEブーム後端から見る
VIEW FROM BASE BOOM REAR END**

**左右両側
BOTH LEFT AND
RIGHT SIDES**



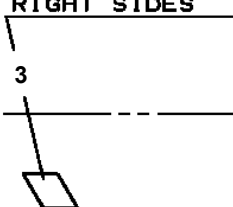
**左右両側
BOTH LEFT AND
RIGHT SIDES**

**4段仕様
4 SECTION**

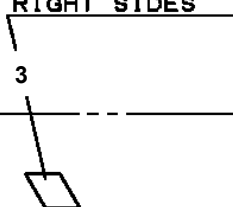


**5段仕様
5 SECTION**

**左右両側
BOTH LEFT AND
RIGHT SIDES**



**左右両側
BOTH LEFT AND
RIGHT SIDES**



**6段仕様
6 SECTION**

BOOM, 4TH

CLICK HERE TO **DOWNLOAD** THE COMPLETE MANUAL

- Thank you very much for reading the preview of the manual.
- You can download the complete manual from: www.heydownloads.com by clicking the link below



- Please note: If there is no response to CLICKING the link, please download this PDF first and then click on it.

CLICK HERE TO **DOWNLOAD** THE COMPLETE MANUAL