

# **TM-ZE260 41008401203A FRAME/STANDARD**

**PB0000154-01 SYSTEM (ZE260SL,DOMESTIC)**

**ASSEMBLY**

CLICK HERE TO **DOWNLOAD** THE COMPLETE MANUAL

- Thank you very much for reading the preview of the manual.
- You can download the complete manual from: [www.heydownloads.com](http://www.heydownloads.com) by clicking the link below



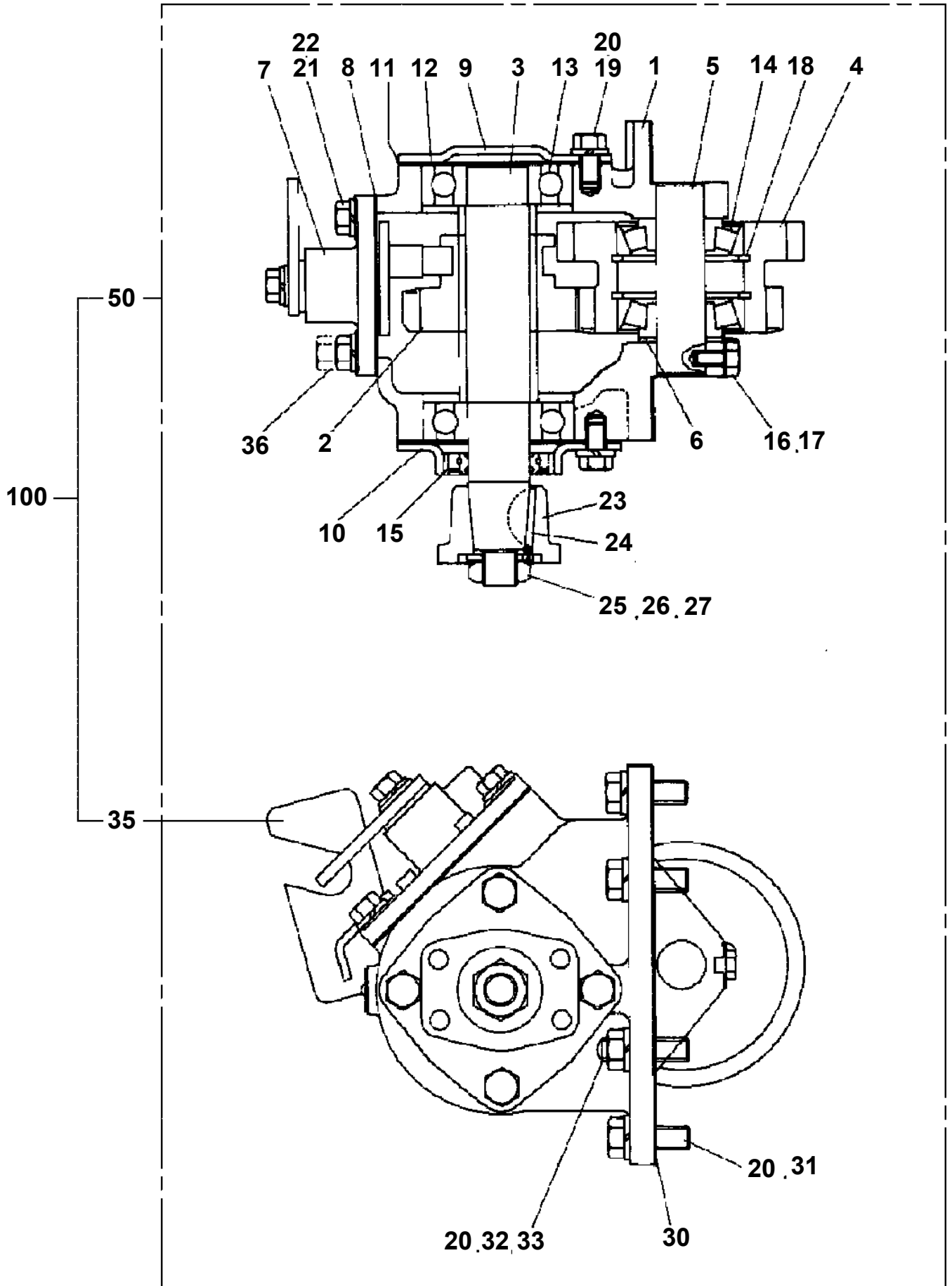
- Please note: If there is no response to CLICKING the link, please download this PDF first and then click on it.

CLICK HERE TO **DOWNLOAD** THE COMPLETE MANUAL

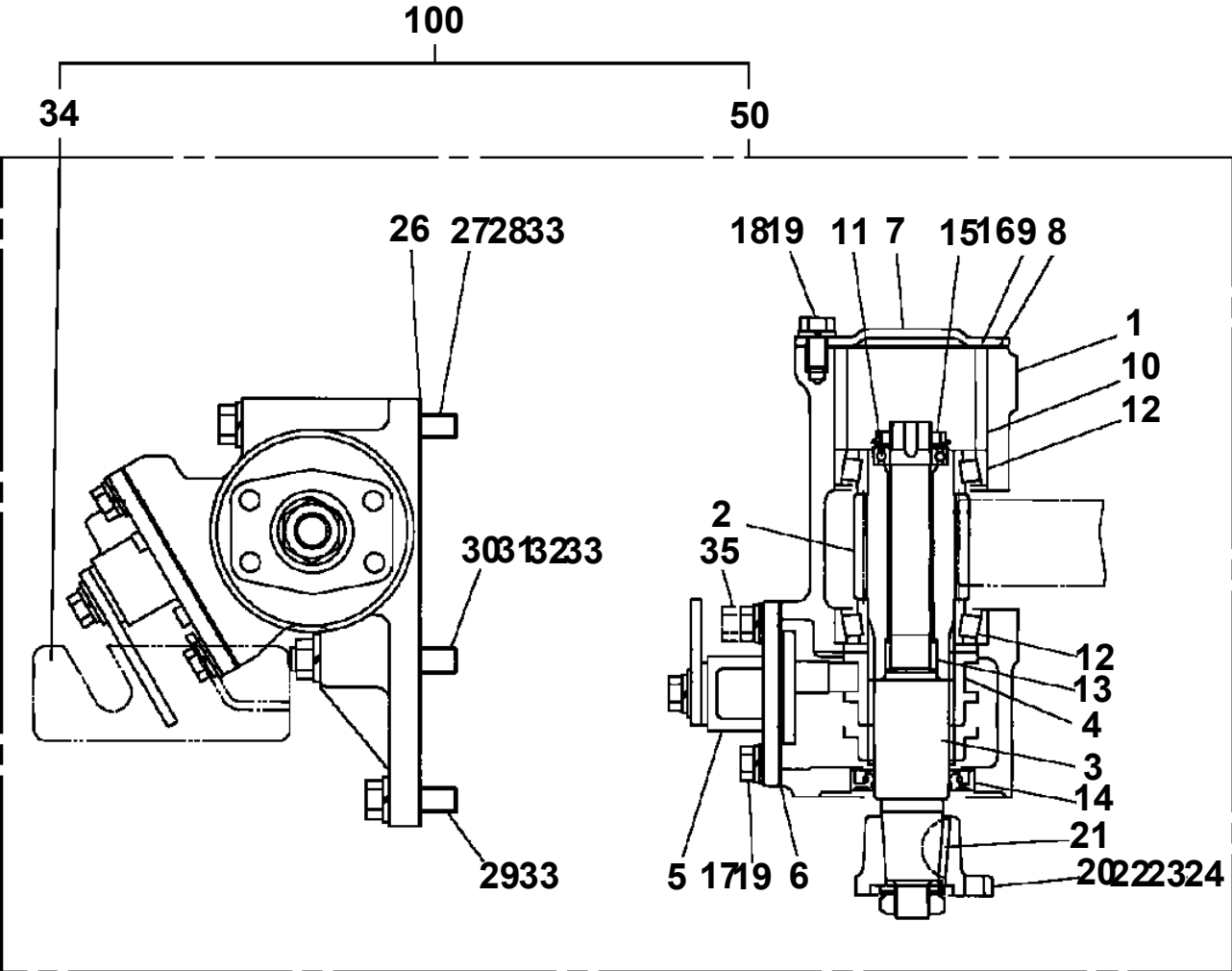
# TM-ZE260 41008401203A FRAME/STANDARD

| Pos No.     | Parts No       | Parts Name                  | Qty            | Unit | Technical Data | Serial No (Start) | Serial No (End) | R |  |
|-------------|----------------|-----------------------------|----------------|------|----------------|-------------------|-----------------|---|--|
| 1           | 31790990000    | POWER TAKE OFF              | 1              |      |                |                   |                 |   |  |
|             | 31792270000    | POWER TAKE OFF              | 1              |      |                |                   |                 |   |  |
|             | 31792080000    | POWER TAKE OFF              | 1              |      |                |                   |                 |   |  |
|             | 31792260000    | POWER TAKE OFF              | 1              |      |                |                   |                 |   |  |
|             | 31790900000    | POWER TAKE OFF              | 1              |      |                |                   |                 |   |  |
|             | 31792380000    | POWER TAKE OFF              | 1              |      |                |                   |                 |   |  |
|             | 31792370000    | POWER TAKE OFF              | 1              |      |                |                   |                 |   |  |
|             | 31792150000    | POWER TAKE OFF              | 1              |      |                |                   |                 |   |  |
|             | 31792100000    | POWER TAKE OFF              | 1              |      |                |                   |                 |   |  |
|             | 31790890000    | POWER TAKE OFF              | 1              |      |                |                   |                 |   |  |
|             | 31790880000    | POWER TAKE OFF              | 1              |      |                |                   |                 |   |  |
|             | 31792090000    | POWER TAKE OFF              | 1              |      |                |                   |                 |   |  |
|             | 2              | 31791240000                 | POWER TAKE OFF | 1    |                |                   |                 |   |  |
|             |                | 31791570000                 | POWER TAKE OFF | 1    |                |                   |                 |   |  |
|             |                | 31790970000                 | POWER TAKE OFF | 1    |                |                   |                 |   |  |
|             |                | 31791090000                 | POWER TAKE OFF | 1    |                |                   |                 |   |  |
|             |                | 31791100000                 | POWER TAKE OFF | 1    |                |                   |                 |   |  |
| 31791180000 |                | POWER TAKE OFF              | 1              |      |                |                   |                 |   |  |
| 31792490000 |                | POWER TAKE OFF              | 1              |      |                |                   |                 |   |  |
| 31791220000 |                | POWER TAKE OFF              | 1              |      |                |                   |                 |   |  |
| 31791620000 |                | POWER TAKE OFF              | 1              |      |                |                   |                 |   |  |
| 31791610000 |                | POWER TAKE OFF              | 1              |      |                |                   |                 |   |  |
| 31791190000 |                | POWER TAKE OFF              | 1              |      |                |                   |                 |   |  |
| 31792220000 |                | POWER TAKE OFF              | 1              |      |                |                   |                 |   |  |
| 31791080000 |                | POWER TAKE OFF              | 1              |      |                |                   |                 |   |  |
| 31792230000 |                | POWER TAKE OFF              | 1              |      |                |                   |                 |   |  |
| 31792480000 |                | POWER TAKE OFF              | 1              |      |                |                   |                 |   |  |
| 31792120000 |                | POWER TAKE OFF              | 1              |      |                |                   |                 |   |  |
| 31790710000 |                | POWER TAKE OFF              | 1              |      |                |                   |                 |   |  |
| 31790730000 |                | POWER TAKE OFF              | 1              |      |                |                   |                 |   |  |
| 31791110000 |                | POWER TAKE OFF              | 1              |      |                |                   |                 |   |  |
| 31791120000 |                | POWER TAKE OFF              | 1              |      |                |                   |                 |   |  |
| 31791130000 |                | POWER TAKE OFF              | 1              |      |                |                   |                 |   |  |
| 31791170000 |                | POWER TAKE OFF              | 1              |      |                |                   |                 |   |  |
| 31792250000 |                | POWER TAKE OFF              | 1              |      |                |                   |                 |   |  |
| 31792240000 | POWER TAKE OFF | 1                           |                |      |                |                   |                 |   |  |
| 3           | 31791090000    | POWER TAKE OFF              | 1              |      |                |                   |                 |   |  |
|             | 31791170000    | POWER TAKE OFF              | 1              |      |                |                   |                 |   |  |
|             | 31791570000    | POWER TAKE OFF              | 1              |      |                |                   |                 |   |  |
|             | 31791190000    | POWER TAKE OFF              | 1              |      |                |                   |                 |   |  |
|             | 31791050000    | POWER TAKE OFF              | 1              |      |                |                   |                 |   |  |
|             | 31791080000    | POWER TAKE OFF              | 1              |      |                |                   |                 |   |  |
|             | 31792230000    | POWER TAKE OFF              | 1              |      |                |                   |                 |   |  |
|             | 31791240000    | POWER TAKE OFF              | 1              |      |                |                   |                 |   |  |
|             | 31791180000    | POWER TAKE OFF              | 1              |      |                |                   |                 |   |  |
|             | 31792120000    | POWER TAKE OFF              | 1              |      |                |                   |                 |   |  |
|             | 31791610000    | POWER TAKE OFF              | 1              |      |                |                   |                 |   |  |
|             | 31791620000    | POWER TAKE OFF              | 1              |      |                |                   |                 |   |  |
|             | 31790730000    | POWER TAKE OFF              | 1              |      |                |                   |                 |   |  |
|             | 31791100000    | POWER TAKE OFF              | 1              |      |                |                   |                 |   |  |
|             | 31790710000    | POWER TAKE OFF              | 1              |      |                |                   |                 |   |  |
|             | 31790970000    | POWER TAKE OFF              | 1              |      |                |                   |                 |   |  |
|             | 31792250000    | POWER TAKE OFF              | 1              |      |                |                   |                 |   |  |
|             | 31792240000    | POWER TAKE OFF              | 1              |      |                |                   |                 |   |  |
|             | 31792220000    | POWER TAKE OFF              | 1              |      |                |                   |                 |   |  |
|             | 31791110000    | POWER TAKE OFF              | 1              |      |                |                   |                 |   |  |
|             | 31791120000    | POWER TAKE OFF              | 1              |      |                |                   |                 |   |  |
|             | 31791220000    | POWER TAKE OFF              | 1              |      |                |                   |                 |   |  |
|             | 31791130000    | POWER TAKE OFF              | 1              |      |                |                   |                 |   |  |
| 4           | 31790730000    | POWER TAKE OFF              | 1              |      |                |                   |                 |   |  |
|             | 31790710000    | POWER TAKE OFF              | 1              |      |                |                   |                 |   |  |
| 5           | 52230312000    | POWER TAKE OFF (WITH TURBO) | 1              |      |                |                   |                 |   |  |
|             | 31790860000    | POWER TAKE OFF              | 1              |      |                |                   |                 |   |  |

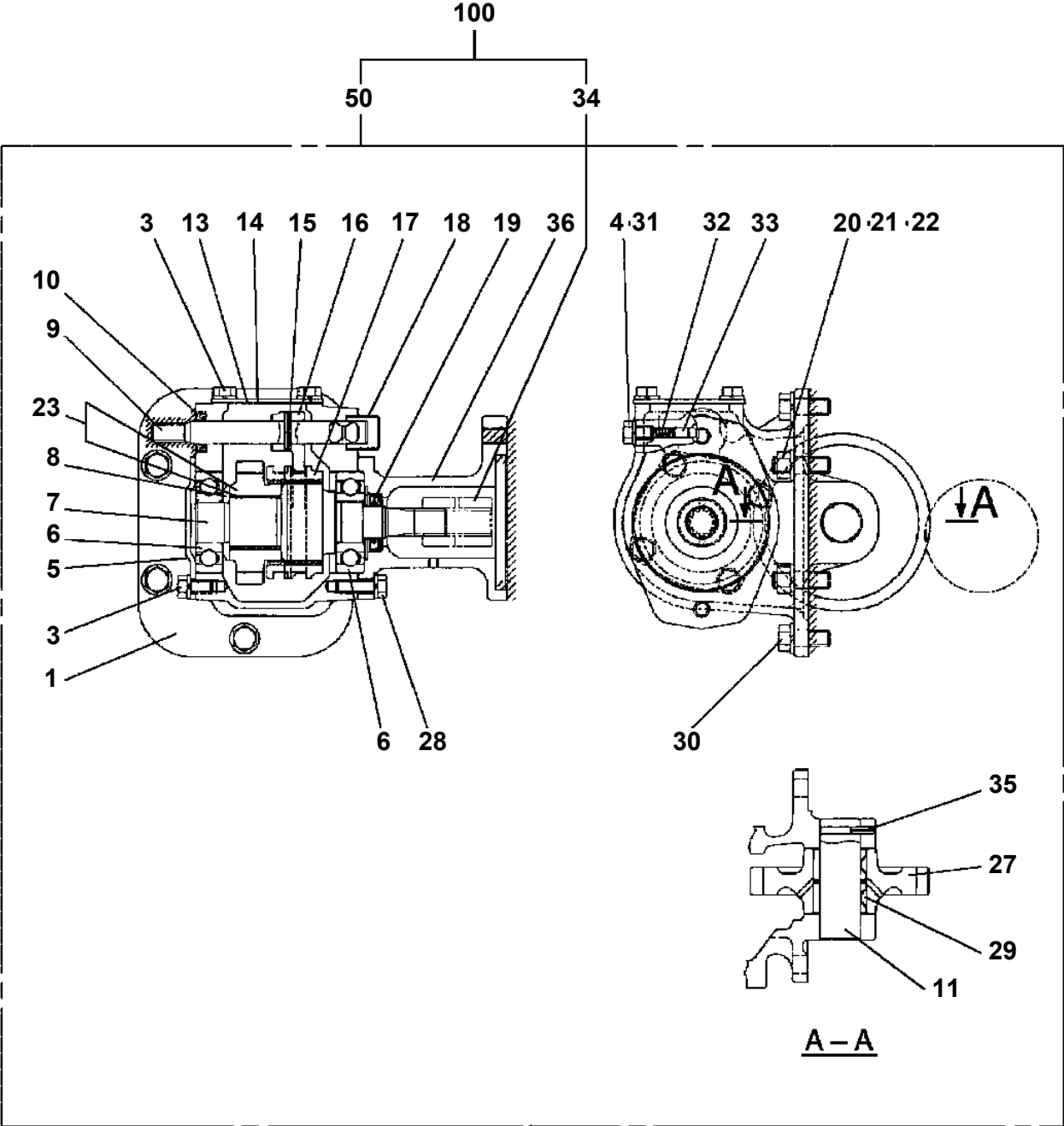
**TM-ZE260 41008401203A FRAME/STANDARD  
PB1030063-02 POWER TAKE OFF**



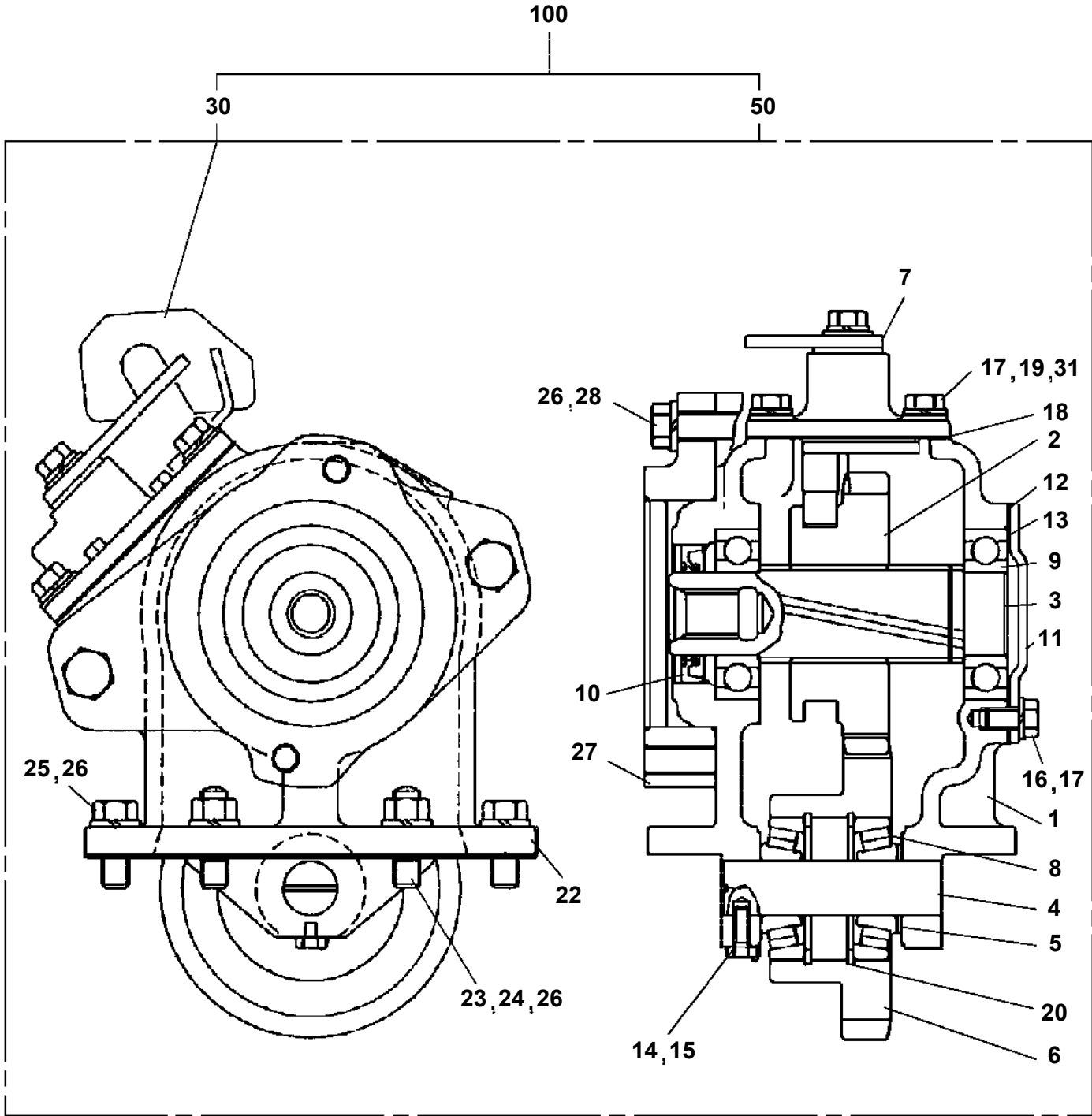
**TM-ZE260 41008401203A FRAME/STANDARD  
PB1030131-01 POWER TAKE OFF**



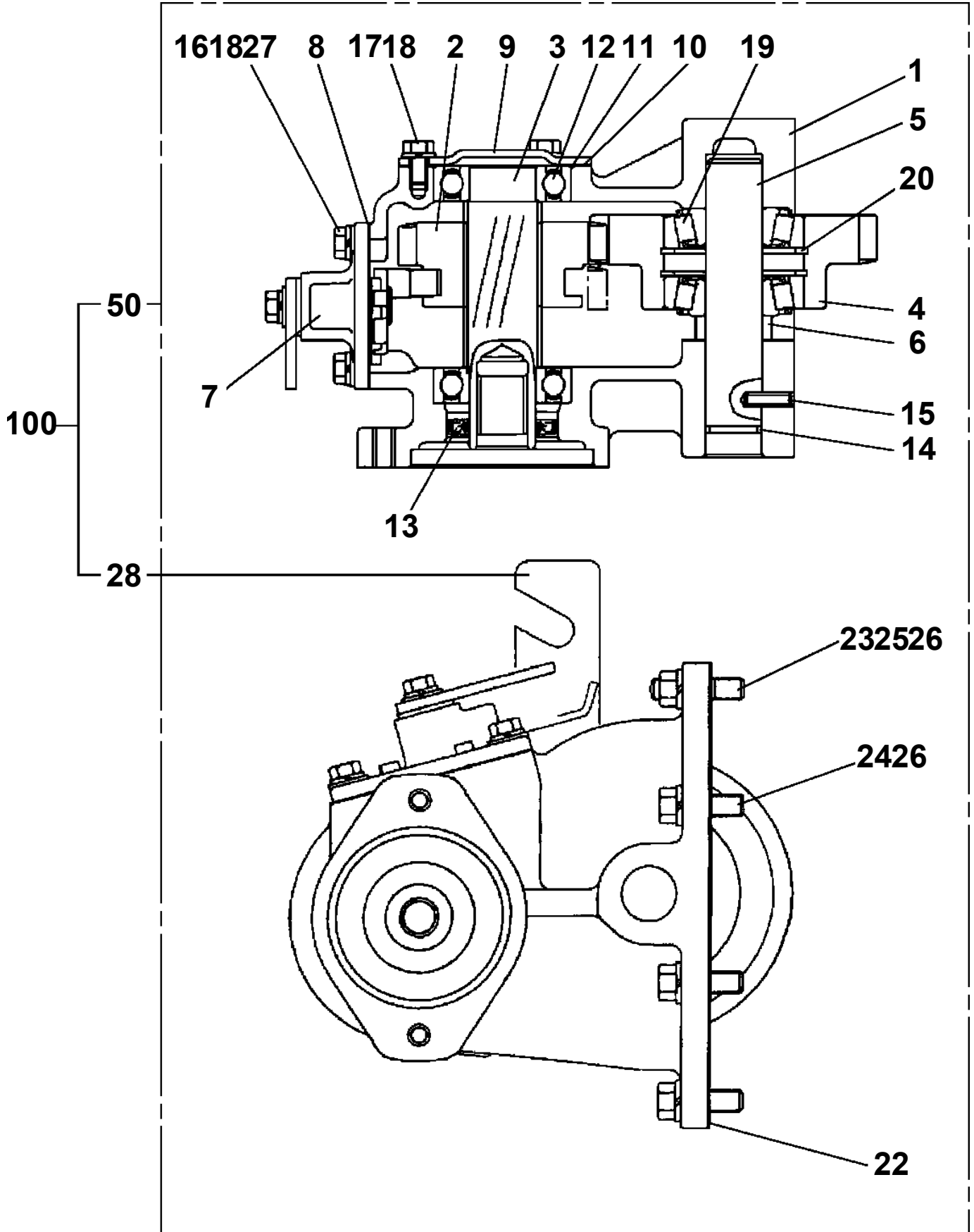
TM-ZE260 41008401203A FRAME/STANDARD  
PB1030163-02 POWER TAKE OFF



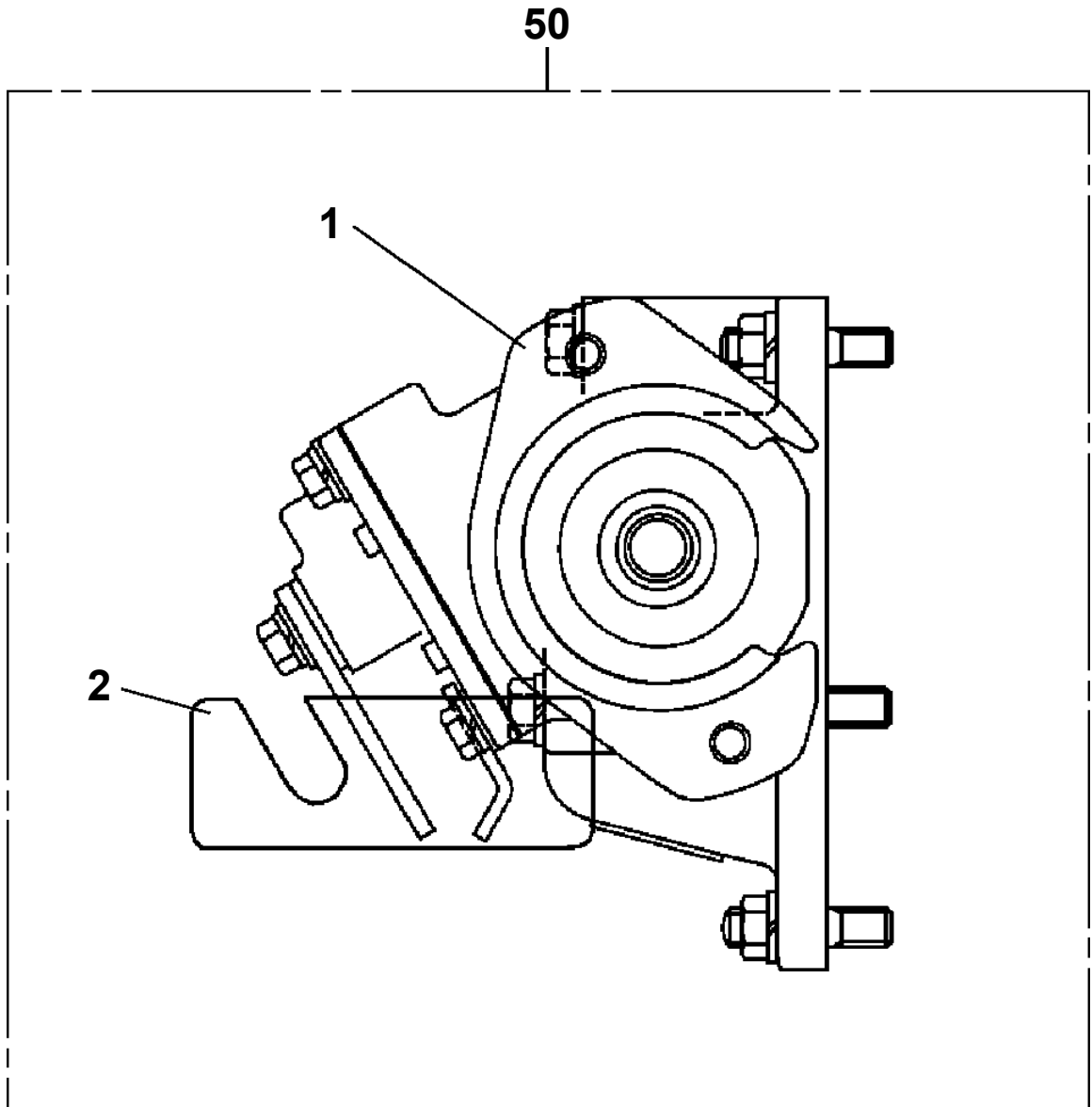
TM-ZE260 41008401203A FRAME/STANDARD  
PB1030171-02 POWER TAKE OFF



**TM-ZE260 41008401203A FRAME/STANDARD  
PB1030192-01 POWER TAKE OFF**



TM-ZE260 41008401203A FRAME/STANDARD  
PB1030204-00 POWER TAKE OFF



# TM-ZE260 41008401203A FRAME/STANDARD

| Pos No. | Parts No    | Parts Name          | Qty | Unit | Technical Data  | Serial No (Start) | Serial No (End) | Remarks |
|---------|-------------|---------------------|-----|------|-----------------|-------------------|-----------------|---------|
| 1       | 36401895070 | CASE                | 1   |      |                 |                   |                 |         |
| 2       | 36401885020 | GEAR                | 1   |      |                 |                   |                 |         |
| 3       | 36400915030 | SHAFT               | 1   |      |                 |                   |                 |         |
| 4       | 36401885030 | GEAR                | 1   |      |                 |                   |                 |         |
| 5       | 36400415050 | SHAFT               | 1   |      |                 |                   |                 |         |
| 6       | 36400675030 | COLLAR              | 1   |      |                 |                   |                 |         |
| 7       | 36400095100 | SHIFTER ASSY        | 1   |      |                 |                   |                 |         |
| 8       | 36400095110 | PACKING             | 1   |      |                 |                   |                 |         |
| 9       | 36400095070 | COVER (BEARING)     | 1   |      |                 |                   |                 |         |
| 10      | 36400095080 | PACKING (COVER)     | 1   |      |                 |                   |                 |         |
| 11      | 36400095090 | SHIM                | N   |      |                 |                   |                 |         |
| 12      | 80500006206 | BEARING,BALL        | 2   |      |                 |                   |                 |         |
| 13      | 91206030005 | SEAL,OIL            | 1   |      |                 |                   |                 |         |
| 14      | 91001102100 | O-RING              | 1   |      | 1A P21          |                   |                 |         |
| 15      | 90710006200 | SCREW,SET           | 1   |      | M6X20           |                   |                 |         |
| 16      | 90191208020 | BOLT                | 4   |      | M8X20           |                   |                 |         |
| 17      | 90191208014 | BOLT                | 3   |      | M8X14           |                   |                 |         |
| 18      | 90302040801 | WASHER,SPRING       | 7   |      | 8               |                   |                 |         |
| 19      | 36400135070 | BEARING             | 2   |      |                 |                   |                 |         |
| 20      | 80602110620 | RING,RITAINING      | 2   |      | R62             |                   |                 |         |
| 22      | 36401885050 | PACKING             | 1   |      |                 |                   |                 |         |
| 24      | 90191210030 | BOLT                | 6   |      | M10X30          |                   |                 |         |
| 25      | 90267201000 | NUT                 | 2   |      | M10             |                   |                 |         |
| 26      | 90302041001 | WASHER,SPRING       | 8   |      | 10              |                   |                 |         |
| 28      | 31790670100 | SUPPORT             | 1   |      |                 |                   |                 |         |
| 29      | 90191208025 | BOLT                | 2   |      | M8X25           |                   |                 |         |
| 60      | 36402100000 | POWER TAKE OFF ASSY | 1   |      |                 |                   |                 |         |
| 61      | 36401695040 | BOLT,STUD           | 2   |      | M10X1.25/1.5X47 |                   |                 |         |
| 100     | 31791240000 | POWER TAKE OFF      | 1   |      |                 |                   |                 |         |

# TM-ZE260 41008401203A FRAME/STANDARD

| Pos No. | Parts No    | Parts Name      | Qty | Unit | Technical Data | Serial No (Start) | Serial No (End) | Remarks | Pages |
|---------|-------------|-----------------|-----|------|----------------|-------------------|-----------------|---------|-------|
| 1       | 36401135050 | CASE            | 1   |      |                |                   |                 |         |       |
| 2       | 36401135060 | GEAR (TO)       | 1   |      |                |                   |                 |         |       |
| 3       | 36401125030 | SHAFT (TO)      | 1   |      |                |                   |                 |         |       |
| 4       | 36401125040 | SLEEVE          | 1   |      |                |                   |                 |         |       |
| 5       | 36401125050 | SHIFTER SET     | 1   |      |                |                   |                 |         |       |
| 6       | 36400095110 | PACKING         | 1   |      |                |                   |                 |         |       |
| 7       | 36400095070 | COVER (BEARING) | 1   |      |                |                   |                 |         |       |
| 8       | 36400095080 | PACKING (COVER) | 1   |      |                |                   |                 |         |       |
| 9       | 36400095090 | SHIM            | N   |      |                |                   |                 |         |       |
| 10      | 36401135070 | COLLAR          | 1   |      |                |                   |                 |         |       |
| 11      | 80500006903 | BEARING,BALL    | 1   |      |                |                   |                 |         |       |
| 12      | 36401125080 | BEARING,ROLLER  | 2   |      |                |                   |                 |         |       |
| 13      | 36401125090 | BEARING,NEEDLE  | 1   |      |                |                   |                 |         |       |
| 14      | 91206030005 | SEAL,OIL        | 1   |      |                |                   |                 |         |       |
| 15      | 36401125100 | RING,RETAINING  | 1   |      |                |                   |                 |         |       |
| 16      | 90191208020 | BOLT            | 4   |      | M8X20          |                   |                 |         |       |
| 17      | 90191208014 | BOLT            | 3   |      | M8X14          |                   |                 |         |       |
| 18      | 90302040801 | WASHER,SPRING   | 7   |      | 8              |                   |                 |         |       |
| 20      | 36402015020 | PACKING         | 2   |      |                |                   |                 |         |       |
| 21      | 36402025030 | BOLT            | 1   |      | M10X1.5X115    |                   |                 |         |       |
| 22      | 36402015040 | BOLT            | 1   |      | M10X1.5X105    |                   |                 |         |       |
| 23      | 90191210045 | BOLT            | 2   |      | M10X45         |                   |                 |         |       |
| 24      | 36402015010 | BOLT,STUD       | 1   |      |                |                   |                 |         |       |
| 25      | 36402025010 | BOLT,STUD       | 1   |      |                |                   |                 |         |       |
| 26      | 90267201000 | NUT             | 2   |      | M10            |                   |                 |         |       |
| 27      | 90302041001 | WASHER,SPRING   | 6   |      | 10             |                   |                 |         |       |
| 28      | 36402025020 | SPACER          | 1   |      |                |                   |                 |         |       |
| 30      | 90191208025 | BOLT            | 2   |      | M8X25          |                   |                 |         |       |
| 51      | 36402020000 | POWER TAKE OFF  | 1   |      |                |                   |                 |         |       |
| 52      | 31790880100 | SUPPORT         | 1   |      |                |                   |                 |         |       |
| 100     | 31792090000 | POWER TAKE OFF  | 1   |      |                |                   |                 |         |       |

# TM-ZE260 41008401203A FRAME/STANDARD

| Pos No. | Parts No    | Parts Name          | Qty | Unit | Technical Data | Serial No (Start) | Serial No (End) | Remarks |
|---------|-------------|---------------------|-----|------|----------------|-------------------|-----------------|---------|
| 1       | 36401995010 | CASE                | 1   |      |                |                   |                 |         |
| 2       | 36401995020 | GEAR                | 1   |      |                |                   |                 |         |
| 3       | 36402125010 | SHAFT               | 1   |      |                |                   |                 |         |
| 4       | 36400095040 | SHAFT               | 1   |      |                |                   |                 |         |
| 5       | 36400095050 | COLLAR              | 1   |      |                |                   |                 |         |
| 6       | 36401995040 | GEAR                | 1   |      |                |                   |                 |         |
| 7       | 36400095070 | COVER (BEARING)     | 1   |      |                |                   |                 |         |
| 8       | 36400095080 | PACKING (COVER)     | 1   |      |                |                   |                 |         |
| 9       | 36400095090 | SHIM                | N   |      |                |                   |                 |         |
| 10      | 36401995050 | SHIFTER ASSY        | 1   |      |                |                   |                 |         |
| 11      | 36400095110 | PACKING             | 1   |      |                |                   |                 |         |
| 12      | 80500006206 | BEARING,BALL        | 2   |      |                |                   |                 |         |
| 13      | 91206030005 | SEAL,OIL            | 1   |      |                |                   |                 |         |
| 14      | 90191208014 | BOLT                | 3   |      | M8X14          |                   |                 |         |
| 15      | 90191208020 | BOLT                | 4   |      | M8X20          |                   |                 |         |
| 16      | 90101206012 | BOLT                | 1   |      | M6X12          |                   |                 |         |
| 17      | 90302040801 | WASHER,SPRING       | 7   |      | 8              |                   |                 |         |
| 18      | 36400095130 | WASHER              | 1   |      |                |                   |                 |         |
| 19      | 36401745060 | BEARING             | 2   |      |                |                   |                 |         |
| 20      | 80602110470 | RING,RITAINING      | 2   |      | R47            |                   |                 |         |
| 22      | 36400055070 | PACKING             | 1   |      |                |                   |                 |         |
| 23      | 36401995060 | BOLT                | 4   |      |                |                   |                 |         |
| 24      | 90267401000 | NUT                 | 4   |      | M10            |                   |                 |         |
| 25      | 90302041001 | WASHER,SPRING       | 6   |      | 10             |                   |                 |         |
| 26      | 90193510035 | BOLT                | 2   |      | M10X35         |                   |                 |         |
| 28      | 90191208025 | BOLT                | 2   |      | M8X25          |                   |                 |         |
| 50      | 36402120000 | POWER TAKE OFF ASSY | 1   |      |                |                   |                 |         |
| 60      | 31791160100 | SUPPORT             | 1   |      |                |                   |                 |         |
| 100     | 31792240000 | POWER TAKE OFF      | 1   |      |                |                   |                 |         |

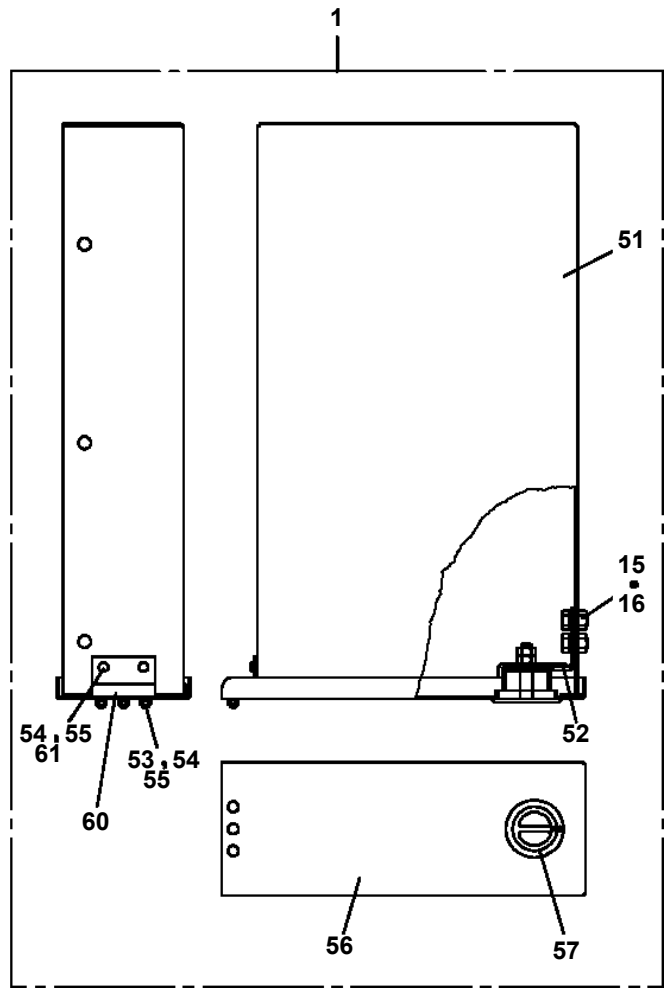
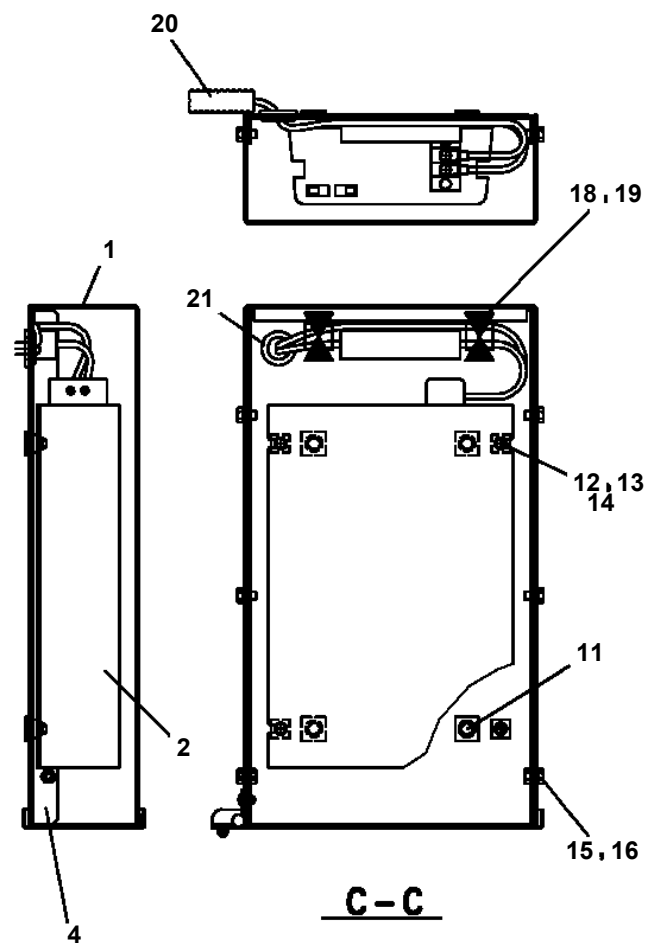
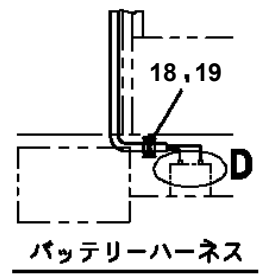
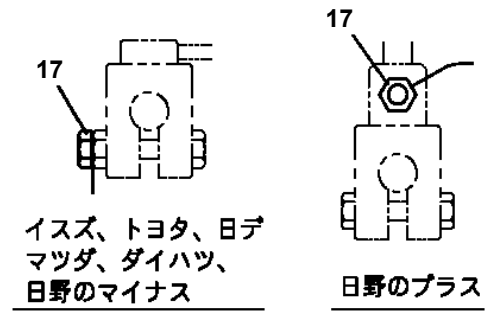
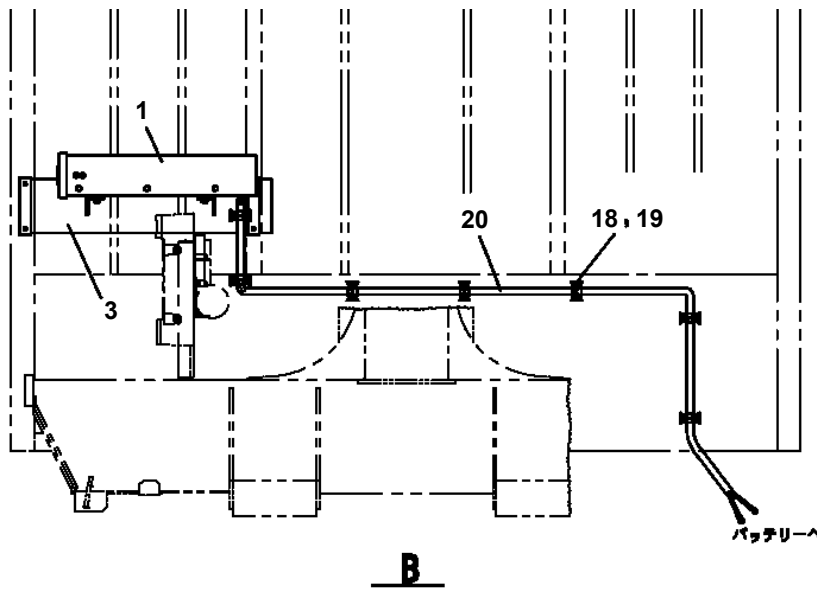
## TM-ZE260 41008401203A FRAME/STANDARD

| Pos No. | Parts No    | Parts Name          | Qty | Unit | Technical Data | Serial No (Start) | Serial No (End) | Remarks |
|---------|-------------|---------------------|-----|------|----------------|-------------------|-----------------|---------|
| 1       | 36402470510 | CASE                | 1   |      |                |                   |                 |         |
| 2       | 36402470520 | GEAR                | 1   |      |                |                   |                 |         |
| 3       | 36402470530 | SHAFT               | 1   |      |                |                   |                 |         |
| 4       | 36401125040 | SLEEVE              | 1   |      |                |                   |                 |         |
| 5       | 36401125050 | SHIFTER SET         | 1   |      |                |                   |                 |         |
| 6       | 36400095110 | PACKING             | 1   |      |                |                   |                 |         |
| 7       | 36400095070 | COVER (BEARING)     | 1   |      |                |                   |                 |         |
| 8       | 36400095080 | PACKING (COVER)     | 1   |      |                |                   |                 |         |
| 9       | 36400095090 | SHIM                | N   |      |                |                   |                 |         |
| 10      | 36402470540 | COLLAR              | 1   |      |                |                   |                 |         |
| 11      | 80500006903 | BEARING,BALL        | 1   |      |                |                   |                 |         |
| 12      | 36401125080 | BEARING,ROLLER      | 2   |      |                |                   |                 |         |
| 13      | 36401125090 | BEARING,NEEDLE      | 1   |      |                |                   |                 |         |
| 14      | 91206030005 | SEAL,OIL            | 1   |      |                |                   |                 |         |
| 15      | 36401125100 | RING,RETAINING      | 1   |      |                |                   |                 |         |
| 16      | 90191208020 | BOLT                | 4   |      | M8X20          |                   |                 |         |
| 17      | 90191208014 | BOLT                | 3   |      | M8X14          |                   |                 |         |
| 18      | 90302040801 | WASHER,SPRING       | 7   |      | 8              |                   |                 |         |
| 20      | 36402015020 | PACKING             | 2   |      |                |                   |                 |         |
| 21      | 36402035040 | BOLT                | 1   |      | M10X1.5X120    |                   |                 |         |
| 22      | 36402035050 | BOLT                | 1   |      | M10X1.5X110    |                   |                 |         |
| 23      | 90191210050 | BOLT                | 2   |      | M10X50         |                   |                 |         |
| 24      | 36402035010 | BOLT,STUD           | 1   |      |                |                   |                 |         |
| 25      | 36402035020 | BOLT,STUD           | 1   |      |                |                   |                 |         |
| 26      | 90267201000 | NUT                 | 2   |      | M10            |                   |                 |         |
| 27      | 90302041001 | WASHER,SPRING       | 6   |      | 10             |                   |                 |         |
| 28      | 36402470550 | SPACER              | 1   |      |                |                   |                 |         |
| 30      | 90191208025 | BOLT                | 2   |      | M8X25          |                   |                 |         |
| 50      | 36402470000 | POWER TAKE OFF ASSY | 1   |      |                |                   |                 |         |
| 60      | 31790990100 | SUPPORT             | 1   |      |                |                   |                 |         |
| 100     | 31792370000 | POWER TAKE OFF      | 1   |      |                |                   |                 |         |

# TM-ZE260 41008401203A FRAME/STANDARD

| Pos No. | Parts No    | Parts Name    | Qty | Unit | Technical Data | Serial No (Start) | Serial No (End) | Remarks | Pages |
|---------|-------------|---------------|-----|------|----------------|-------------------|-----------------|---------|-------|
| 1       | 31631881001 | PLATE         | 1   |      |                |                   |                 |         |       |
| 2       | 90171112022 | BOLT          | 2   |      | M12X22         |                   |                 |         |       |
| 3       | 31631222000 | CAP           | 1   |      |                |                   |                 |         |       |
| 4       | 90302041201 | WASHER,SPRING | 2   |      | 12             |                   |                 |         |       |

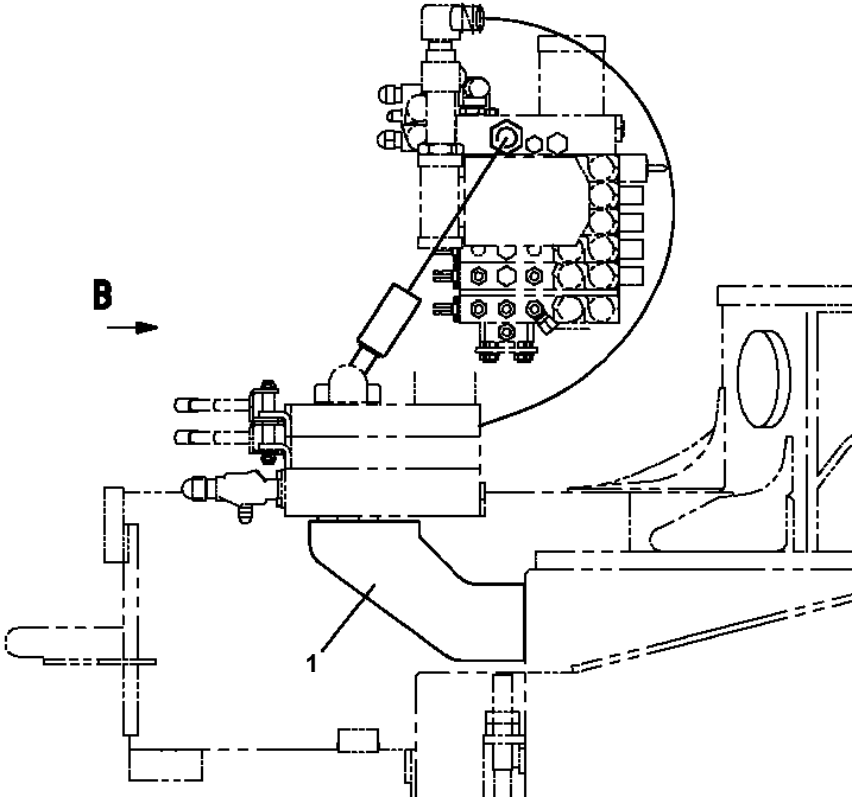
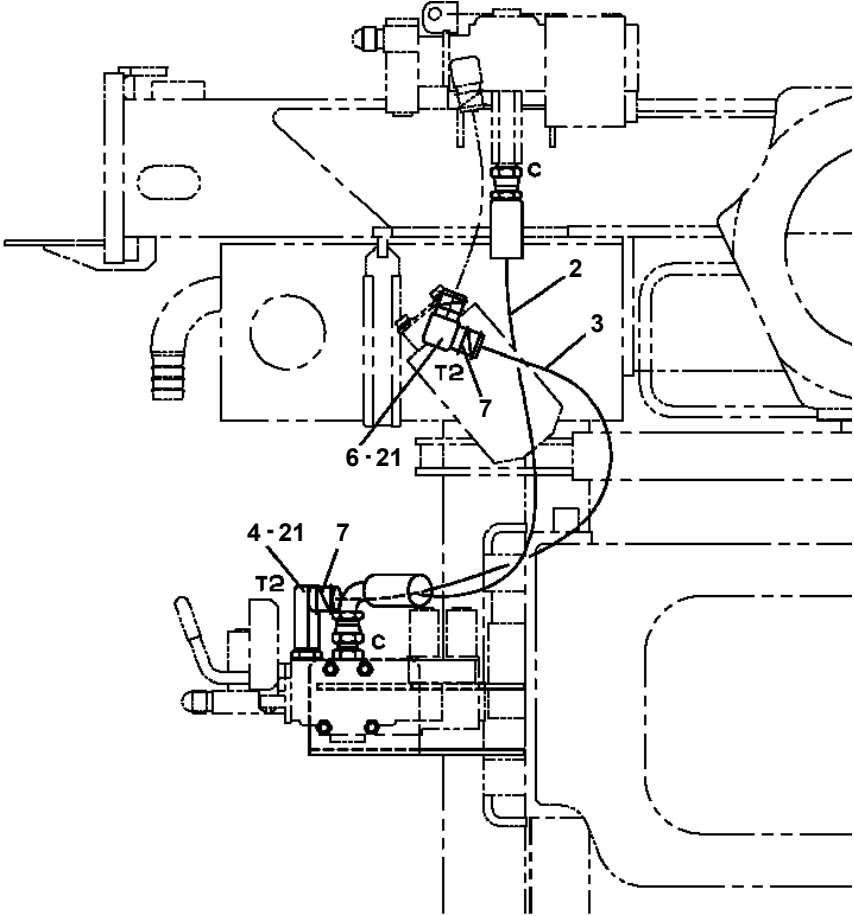
**TM-ZE260 41008401203A FRAME/STANDARD**  
**PB1380332-03 POWER SUPPLY (100V POWER SOURCE/1500W)**



# TM-ZE260 41008401203A FRAME/STANDARD

| Pos No. | Parts No    | Parts Name           | Qty | Unit | Technical Data | Serial No (Start) | Serial No (End) | Remarks |
|---------|-------------|----------------------|-----|------|----------------|-------------------|-----------------|---------|
| 1       | 81408000100 | PIPE,STEEL           | 1   | M    | 10X1.2T        |                   |                 |         |
| 2       | 81408000100 | PIPE,STEEL           | 1   | M    | 10X1.2T        |                   |                 |         |
| 3       | 81408000100 | PIPE,STEEL           | 1   | M    | 10X1.2T        |                   |                 |         |
| 4       | 81408000100 | PIPE,STEEL           | 2   | M    | 10X1.2T        |                   |                 |         |
| 5       | 81408000100 | PIPE,STEEL           | 2   | M    | 10X1.2T        |                   |                 |         |
| 6       | 81408000100 | PIPE,STEEL           | 2   | M    | 10X1.2T        |                   |                 |         |
| 7       | 81408000100 | PIPE,STEEL           | 2   | M    | 10X1.2T        |                   |                 |         |
| 8       | 91810130240 | FASTENER             | 3   |      |                |                   |                 |         |
| 9       | 80302090121 | FITTING              | 11  |      | KCO10-030N     |                   |                 |         |
| 10      | 91002801400 | O-RING               | 12  |      | 1B P14         |                   |                 |         |
| 11      | 80302090101 | FITTING              | 3   |      | KCO10-020N     |                   |                 |         |
| 12      | 91002801100 | O-RING               | 3   |      | 1B P11         |                   |                 |         |
| 13      | 80481004042 | JOINT                | 1   |      |                |                   |                 |         |
| 14      | 91002801800 | O-RING               | 1   |      | 1B P18         |                   |                 |         |
| 15      | 80305120100 | FITTING              | 1   |      |                |                   |                 |         |
| 16      | 91803600400 | CLIP                 | 2   |      | D=27-40        |                   |                 |         |
| 17      | 80400160182 | JOINT (WITH O-RING)  | 1   |      |                |                   |                 |         |
| 18      | 36672390000 | FILTER,OIL (WAKO)    | 1   |      |                |                   |                 |         |
| 19      | 91002802900 | O-RING               | 1   |      | 1B P29         |                   |                 |         |
| 20      | 91803880070 | CLIP                 | 2   |      | D=13.1-16.2    |                   |                 |         |
| 21      | 37002510120 | HOSE                 | 1   |      | L=1200         |                   |                 |         |
| 22      | 37000800740 | JOINT                | 1   |      |                |                   |                 |         |
| 23      | 37005700140 | CLAMP                | 2   |      |                |                   |                 |         |
| 24      | 90280200800 | NUT,FLANGE           | 3   |      | M8             |                   |                 |         |
| 25      | 90101208055 | BOLT                 | 2   |      | M8X55          |                   |                 |         |
| 26      | 37005700130 | CLAMP                | 1   |      | 10X2           |                   |                 |         |
| 27      | 90101208035 | BOLT                 | 1   |      | M8X35          |                   |                 |         |
| 28      | 90201780800 | NUT                  | 4   |      | M8             |                   |                 |         |
| 29      | 90302040801 | WASHER,SPRING        | 4   |      | 8              |                   |                 |         |
| 30      | 90303070801 | WASHER,PLAIN         | 4   |      | 8              |                   |                 |         |
| 31      | 91803600200 | CLIP                 | 1   |      | D=13-20        |                   |                 |         |
| 32      | 91810130270 | FASTENER             | 2   |      |                |                   |                 |         |
| 33      | 31644591400 | COVER                | 1   |      |                |                   |                 |         |
| 34      | 31642181000 | COVER                | 1   |      |                |                   |                 |         |
| 35      | 36611670000 | VALVE,FLOW CONTROL   | 1   |      |                |                   |                 |         |
| 36      | 90172106032 | BOLT,HEXAGON SOCKET  | 3   |      | M6X32          |                   |                 |         |
| 37      | 81408000100 | PIPE,STEEL           | 2   | M    | 10X1.2T        |                   |                 |         |
| 38      | 81408000100 | PIPE,STEEL           | 1   | M    | 10X1.2T        |                   |                 |         |
| 39      | 81408000100 | PIPE,STEEL           | 2   | M    | 10X1.2T        |                   |                 |         |
| 40      | 81408000100 | PIPE,STEEL           | 1   | M    | 10X1.2T        |                   |                 |         |
| 41      | 81408000100 | PIPE,STEEL           | 1   | M    | 10X1.2T        |                   |                 |         |
| 42      | 81408000100 | PIPE,STEEL           | 2   | M    | 10X1.2T        |                   |                 |         |
| 43      | 37002511130 | HOSE                 | 1   |      | L=260          |                   |                 |         |
| 44      | 80305010080 | FITTING,TEE          | 2   |      | KTA10-000N     |                   |                 |         |
| 61      | 80400160129 | JOINT                | 4   |      |                |                   |                 |         |
| 62      | 91002801400 | O-RING               | 5   |      | 1B P14         |                   |                 |         |
| 63      | 80400160180 | JOINT (WITH O-RING)  | 1   |      |                |                   |                 |         |
| 64      | 80481003037 | JOINT                | 1   |      |                |                   |                 |         |
| 73      | 36740840000 | VALVE,REMOTE CONTROL | 1   |      |                |                   |                 |         |
| 81      | 91002801800 | O-RING               | 1   |      | 1B P18         |                   |                 |         |
| 91      | 91002801400 | O-RING               | 1   |      | 1B P14         |                   |                 |         |

**TM-ZE260 41008401203A FRAME/STANDARD  
PB1910222-00 PIPING (OPTION VALVE-MAIN VALVE)**



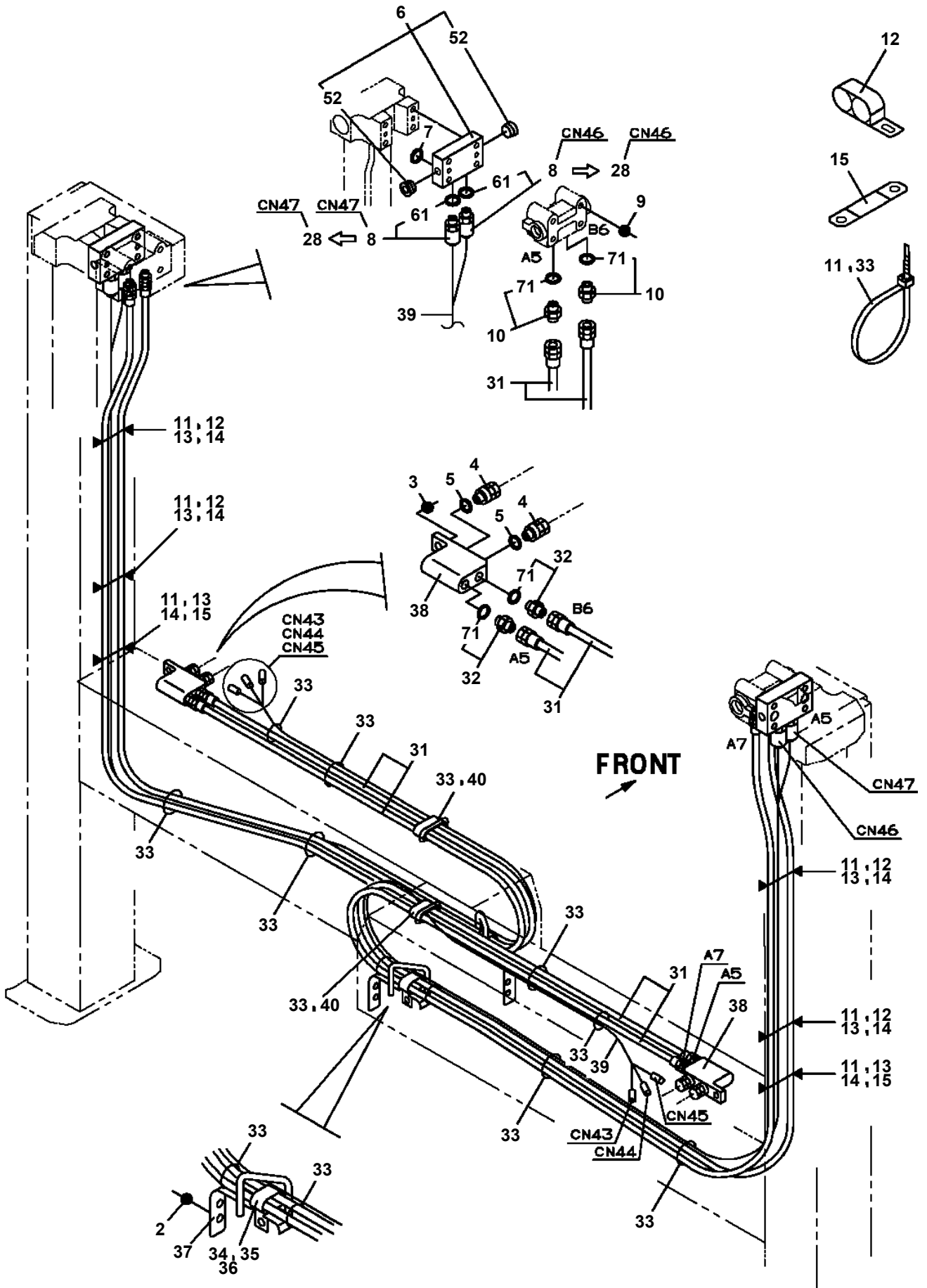
## TM-ZE260 41008401203A FRAME/STANDARD

| Pos No. | Parts No    | Parts Name           | Qty | Unit | Technical Data | Serial No (Start) | Serial No (End) | Remarks |
|---------|-------------|----------------------|-----|------|----------------|-------------------|-----------------|---------|
| 20      | 36804915010 | O-RING (CASE)        | 1   |      |                |                   |                 |         |
| 29      | 36804915020 | PIN                  | 1   |      |                |                   |                 |         |
| 30      | 36804915030 | RING                 | 1   |      |                |                   |                 |         |
| 49      | 36805795020 | HARNESS              | 1   |      |                |                   |                 |         |
| 50      | 36805795030 | HARNESS              | 1   |      |                |                   |                 |         |
| 64      | 36804915060 | RUBBER(FRONT)        | 1   |      |                |                   |                 |         |
| 68      | 36806245010 | PLATE,NAME           | 1   |      |                |                   |                 |         |
| 69      | 36804915080 | LABEL (SERIAL)       | 1   |      |                |                   |                 |         |
| 101     | 36804917570 | CASE ASSY(LOWER)     | 1   |      |                |                   |                 |         |
| 102     | 36804915100 | GUARD ASSY (HAND)    | 1   |      |                |                   |                 |         |
| 103     | 36804915110 | COVER ASSY (BATTERY) | 1   |      |                |                   |                 |         |
| 104     | 36806575010 | LEVER ASSY (TRIGGER) | 1   |      |                |                   |                 |         |
| 106     | 36804925030 | PANEL ASSY (INNER)   | 1   |      |                |                   |                 |         |
| 107     | 36804925040 | PANEL ASSY (INNER)   | 1   |      |                |                   |                 |         |
| 108     | 36804915150 | SWITCH ASSY          | 1   |      |                |                   |                 |         |
| 109     | 36804915160 | CASE ASSY (FRONT)    | 1   |      |                |                   |                 |         |
| 110     | 36804917530 | HOLDER (BATTERY)     | 1   |      |                |                   |                 |         |
| 201     | 36804915170 | STRAP                | 1   |      |                |                   |                 |         |
| 900     | 36806983000 | BOX,OPERATION        | 1   |      |                |                   |                 |         |

# TM-ZE260 41008401203A FRAME/STANDARD

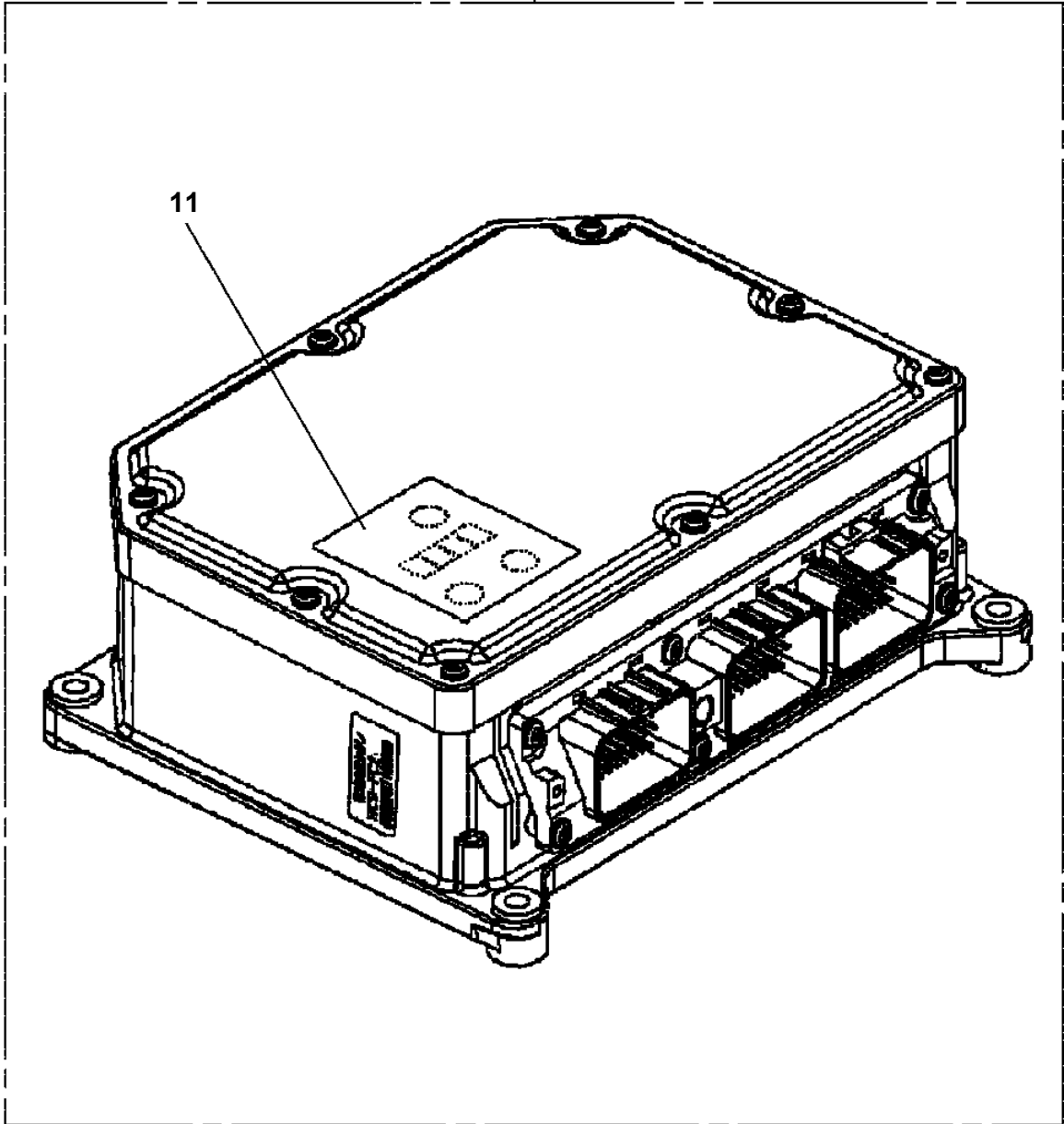
| Pos No. | Parts No    | Parts Name             | Qty | Unit | Technical Data | Serial No (Start) | Serial No (End) | Remark |
|---------|-------------|------------------------|-----|------|----------------|-------------------|-----------------|--------|
| 1       | 31625090000 | FRAME ASSY             | 1   |      |                |                   |                 |        |
| 3       | (*****)     | PIPING,REAR JACK       | 1   |      |                |                   |                 |        |
| 4       | (*****)     | ELEC.ASSY              | 1   |      |                |                   |                 |        |
| 5       | (*****)     | PLATE ASSY,NAME        | 1   |      |                |                   |                 |        |
| 11      | (*****)     | OUTRIGGER,REAR (FRAME) | 1   |      |                |                   |                 |        |
| 12      | (*****)     | LOCK ASSY              | 1   |      |                |                   |                 |        |

**TM-ZE260 41008401203A FRAME/STANDARD  
PC1200642-01 PIPING,OUTRIGGER**



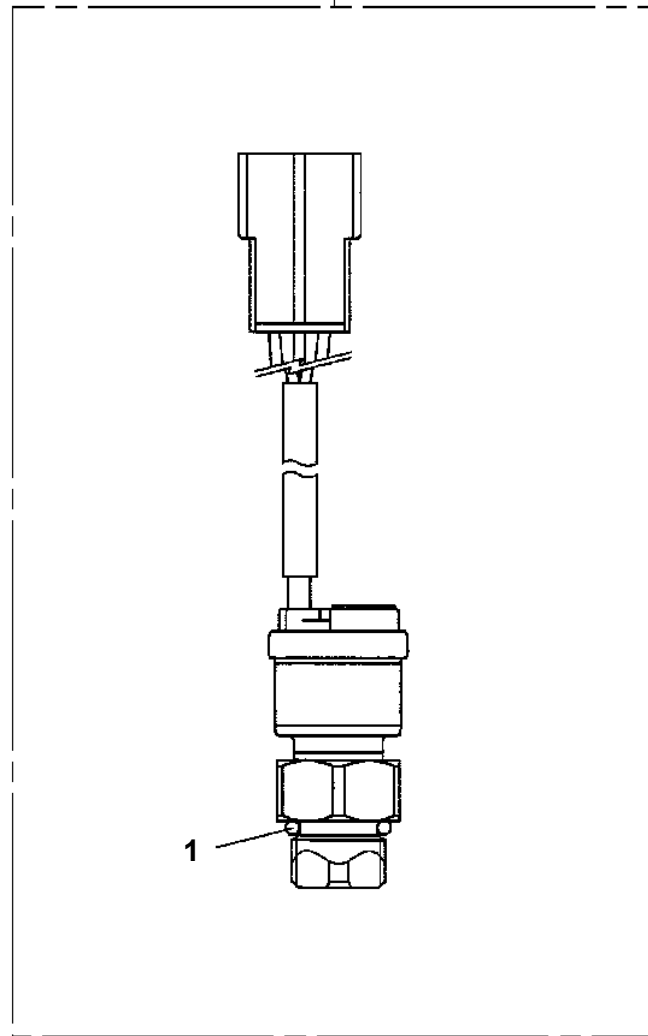
TM-ZE260 41008401203A FRAME/STANDARD  
PC5410010-00 CONTROL UNIT

900



**TM-ZE260 41008401203A FRAME/STANDARD  
PD5120001-00 DETECTOR ASSY,MOMENT**

100



## TM-ZE260 41008401203A FRAME/STANDARD

| Pos No. | Parts No    | Parts Name                  | Qty | Unit | Technical Data | Serial No (Start) | Serial No (End) |
|---------|-------------|-----------------------------|-----|------|----------------|-------------------|-----------------|
| 1       | 31501912100 | HARNESS                     | 1   |      |                |                   |                 |
| 2       | 82100002597 | RELAY                       | 1   |      |                |                   |                 |
| 3       | 90280200600 | NUT,FLANGE                  | 1   |      | M6             |                   |                 |
| 4       | 80192486014 | SCREW,MACHINE (WITH WASHER) | 1   |      | M6X14          |                   |                 |
| 5       | 31477311500 | SWITCH ASSY (PANASONIC)     | 1   |      |                |                   |                 |
|         | 31477311200 | SWITCH ASSY (PLATING:NACC)  | 1   |      |                |                   |                 |
| 6       | 82197518114 | CAP (MATSUSHITA/BLACK)      | 1   |      |                |                   |                 |
|         | 82197518119 | CAP (PLUS ONE MFG./BLACK)   | 1   |      |                |                   |                 |
| 7       | 91810130240 | FASTENER                    | 24  |      |                |                   |                 |
| 8       | 91850310405 | CLAMP (BLACK)               | 14  |      |                |                   |                 |
| 9       | 31501912200 | SUPPORT                     | 1   |      |                |                   |                 |
| 10      | 90303071001 | WASHER,PLAIN                | 2   |      | 10             |                   |                 |
| 11      | 90101210020 | BOLT                        | 2   |      | M10X20         |                   |                 |
| 12      | 42650710100 | BUZZER                      | 1   |      |                |                   |                 |
| 13      | 90302040601 | WASHER,SPRING               | 2   |      | 6              |                   |                 |
| 14      | 90303070601 | WASHER,PLAIN                | 2   |      | 6              |                   |                 |
| 15      | 90101206014 | BOLT                        | 2   |      | M6X14          |                   |                 |
| 16      | 90186208020 | BOLT,FLANGE                 | 2   |      | M8X20          |                   |                 |

# TM-ZE260 41008401203A FRAME/STANDARD

| Pos No. | Parts No    | Parts Name                | Qty | Unit | Technical Data | Serial No (Start) | Serial No (End) | Rem |
|---------|-------------|---------------------------|-----|------|----------------|-------------------|-----------------|-----|
| 1       | 31655141100 | SWITCH ASSY               | 1   |      |                |                   |                 |     |
| 2       | 82100002597 | RELAY                     | 1   |      |                |                   |                 |     |
| 3       | 31502591100 | HARNESS                   | 1   |      |                |                   |                 |     |
| 4       | 82115001002 | CONNECTOR                 | 5   |      |                |                   |                 |     |
| 5       | 82197518119 | CAP (PLUS ONE MFG./BLACK) | 1   |      |                |                   |                 |     |
|         | 82197518114 | CAP (MATSUSHITA/BLACK)    | 1   |      |                |                   |                 |     |
| 6       | 91810130240 | FASTENER                  | 10  |      |                |                   |                 |     |

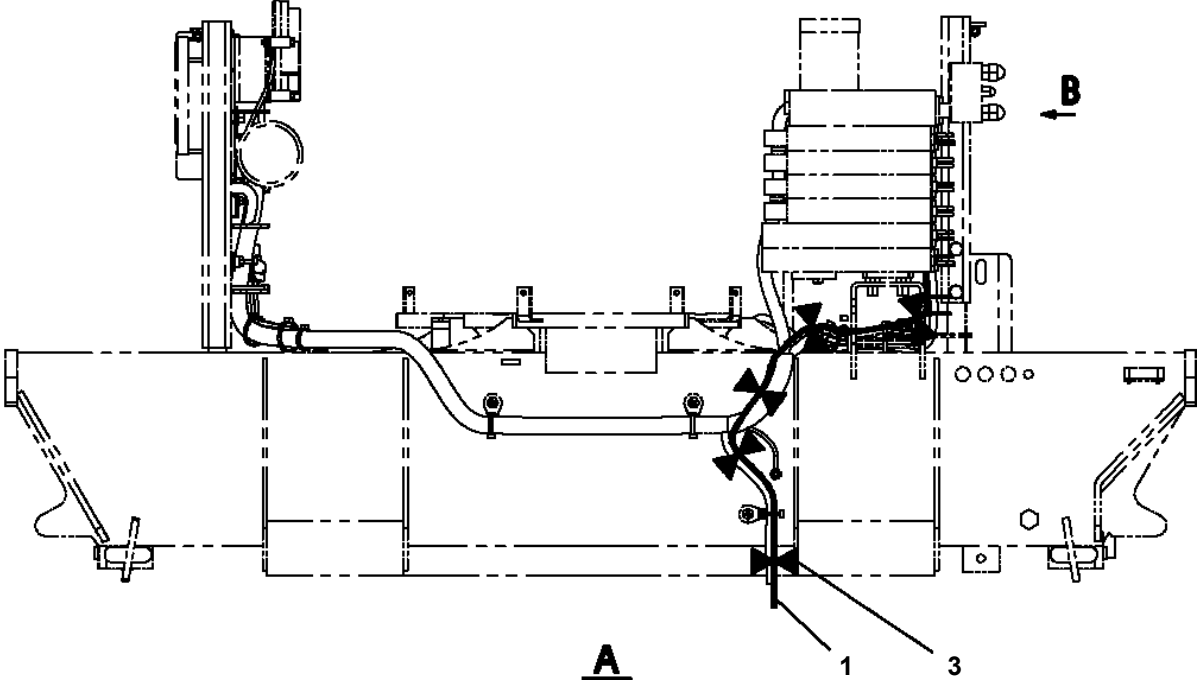
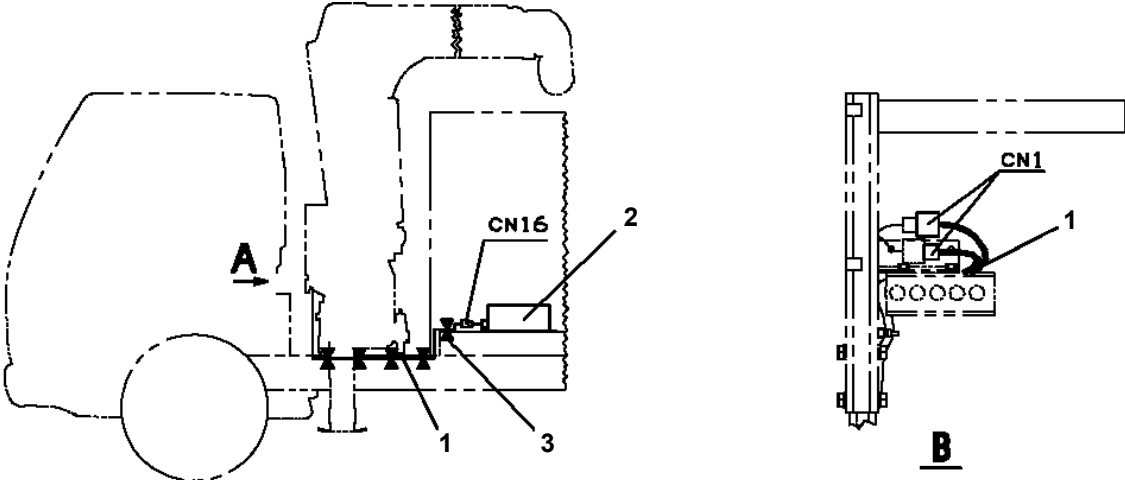
# TM-ZE260 41008401203A FRAME/STANDARD

| Pos No. | Parts No | Parts Name                                              | Qty | Unit | Technical Data | Serial |
|---------|----------|---------------------------------------------------------|-----|------|----------------|--------|
| 1       | (*****)  | RING ASSY,SLIP (CJ NUMBER OF THE ELECTRODES KIT)        | 1   |      |                |        |
| 2       | (*****)  | ELEC.ASSY (SAFETY DEVICE: SWING DIRECTION DETECTOR FOR) | 1   |      |                |        |

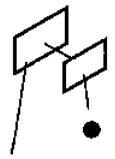
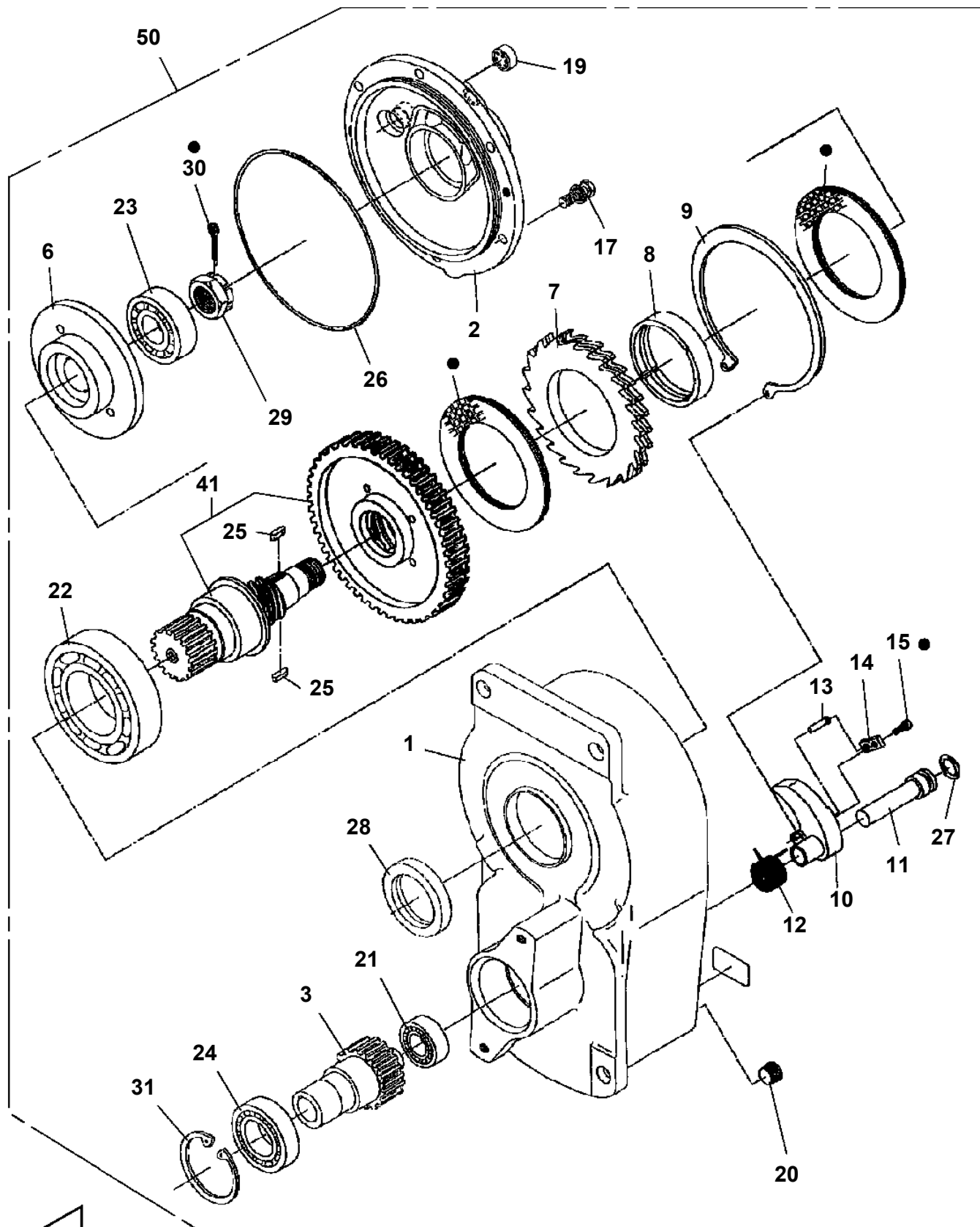
# TM-ZE260 41008401203A FRAME/STANDARD

| Pos No. | Parts No    | Parts Name | Qty | Unit | Technical Data | Serial No (Start) | Serial No (End) | Remarks | Pages  |
|---------|-------------|------------|-----|------|----------------|-------------------|-----------------|---------|--------|
| 1       | 31503272100 | HARNESS    | 1   |      |                |                   |                 |         | 000168 |
| 2       | 91850310305 | CLAMP      | 15  |      |                |                   |                 |         |        |
| 3       | 91810130240 | FASTENER   | 20  |      |                |                   |                 |         |        |

**TM-ZE260 41008401203A FRAME/STANDARD  
PE5021015-00 ELEC.ASSY (DC12V TO DC24V CONVERTER)**



**TM-ZE260 41008401203A FRAME/STANDARD  
PF1010237-01 WINCH (OOKUBO)**



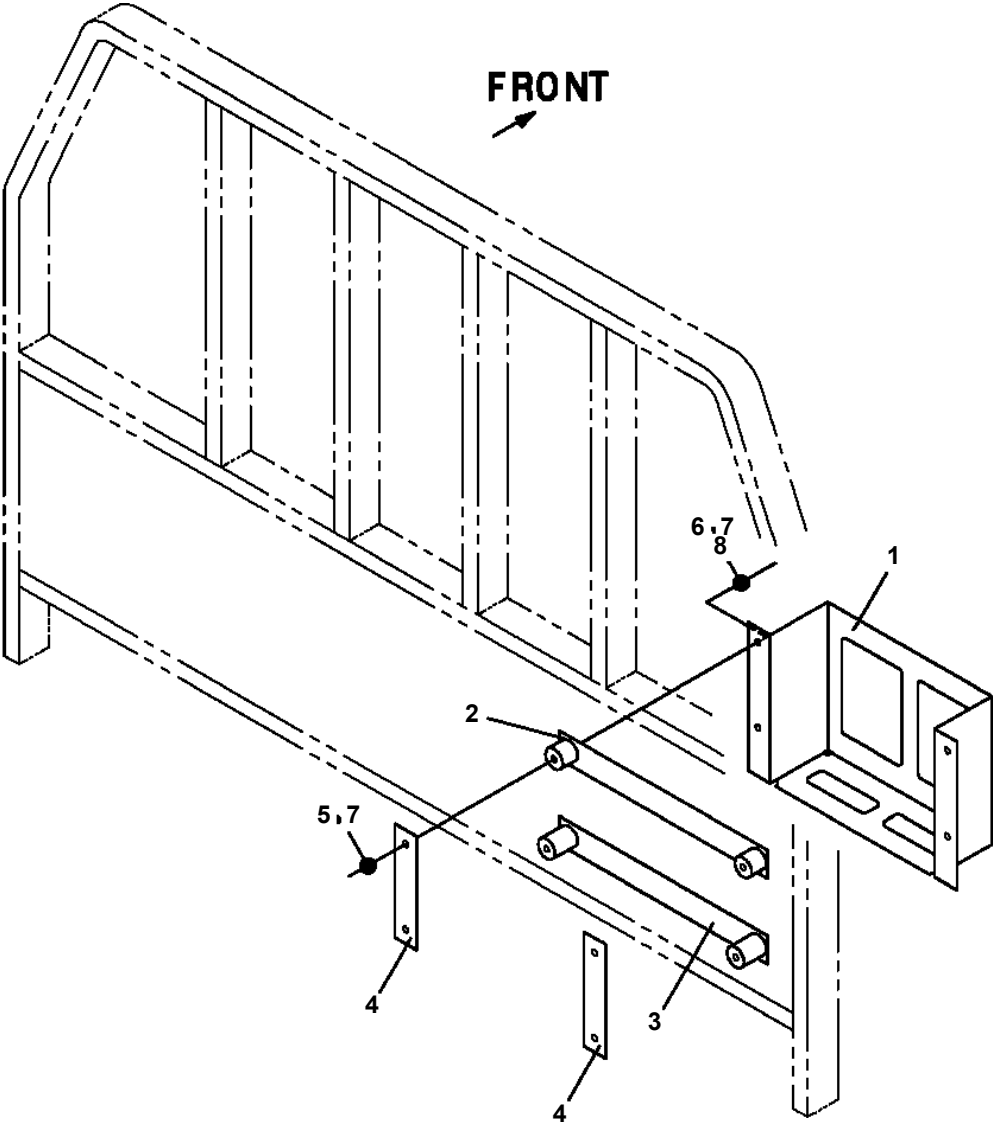
● Protective seal  
 ● Replacement interval name plate

● : FACING KIT KEY NO.101 ( JAPANESE )  
 ● : FACING KIT KEY NO.102 ( ENGLISH )

**TM-ZE260 41008401203A FRAME/STANDARD**  
**PF1050447-00 HOOK**

|   |                                 |
|---|---------------------------------|
| 1 | フック<br>HOOK                     |
| 2 | プレートASSY,ネーム<br>PLATE ASSY,NAME |

**TM-ZE260 41008401203A FRAME/STANDARD**  
**PF1080288-00 SUPPORT**



## TM-ZE260 41008401203A FRAME/STANDARD

| Pos No. | Parts No    | Parts Name          | Qty | Unit | Technical Data | Serial No (Start) | Serial No (End) | Remarks |
|---------|-------------|---------------------|-----|------|----------------|-------------------|-----------------|---------|
| 7       | 36662810000 | MOTOR,HYDRAULIC     | 1   |      |                |                   |                 |         |
| 8       | 90172112030 | BOLT,HEXAGON SOCKET | 2   |      | M12X30         |                   |                 |         |
| 9       | 90171114035 | BOLT                | 2   |      | M14X35         |                   |                 |         |
| 10      | 90302041401 | WASHER,SPRING       | 2   |      | 14             |                   |                 |         |
| 11      | 90171112035 | BOLT                | 4   |      | M12X35         |                   |                 |         |
| 12      | 90302041201 | WASHER,SPRING       | 4   |      | 12             |                   |                 |         |
| 13      | 90101210020 | BOLT                | 2   |      | M10X20         |                   |                 |         |
| 14      | 90302041001 | WASHER,SPRING       | 2   |      | 10             |                   |                 |         |
| 15      | 90303071001 | WASHER,PLAIN        | 2   |      | 10             |                   |                 |         |
| 16      | 31322050510 | KNOB (BLACK)        | 1   |      |                |                   |                 |         |
| 17      | 31311183000 | LEVER               | 1   |      |                |                   |                 |         |
| 18      | 90303070801 | WASHER,PLAIN        | 4   |      | 8              |                   |                 |         |
| 19      | 80136825015 | PIN,SPLIT           | 2   |      | 2.5X15         |                   |                 |         |
| 21      | 36073040000 | WINCH               | 1   |      |                |                   |                 |         |

# TM-ZE260 41008401203A FRAME/STANDARD

| Pos No. | Parts No    | Parts Name                                   | Qty | Unit | Technical Data | Serial No (S |
|---------|-------------|----------------------------------------------|-----|------|----------------|--------------|
| 1       | (*****)     | MOUNT,WINCH                                  | 1   |      |                |              |
| 2       | 36740880000 | VALVE,REMOTE CONTROL                         | 1   |      |                |              |
| 3       | (*****)     | PIPING (OPTION VALVE-MAIN VALVE)             | 1   |      |                |              |
| 4       | (*****)     | PIPING (OPT.VALVE:JOINT FOR REAR OUTRIGGER)  | 1   |      |                |              |
| 5       | (*****)     | PIPING,WINCH                                 | 1   |      |                |              |
| 6       | (*****)     | PLATE ASSY,NAME (CONTROL)                    | 1   |      |                |              |
| 7       | (*****)     | PLATE ASSY,NAME (REAR OUTRIGGER)             | 1   |      |                |              |
| 8       | 31292491000 | ROPE ASSY (WITH HOOK)                        | 1   |      |                |              |
| 9       | (*****)     | OPE.ASSY,CONT.VALVE                          | 1   |      |                |              |
| 10      | (*****)     | ELEC.ASSY (CRANE)                            | 1   |      |                |              |
| 11      | (*****)     | ELEC.ASSY (SELF WINCH)                       | 1   |      |                |              |
| 12      | (*****)     | ELEC.ASSY (CN99/PLUG)                        | 1   |      |                |              |
| 13      | (*****)     | ELEC.ASSY (HARNES:FOR CONNECTING R/O HARNES) | 1   |      |                |              |
| 14      | (*****)     | ELEC.ASSY (FOR REAR OUTRIGGER)               | 1   |      |                |              |
| 18      | 31625090000 | FRAME ASSY                                   | 1   |      |                |              |
| 21      | (*****)     | OUTRIGGER,REAR (FRAME)                       | 1   |      |                |              |
| 22      | (*****)     | LOCK ASSY                                    | 1   |      |                |              |

# TM-ZE260 41008401203A FRAME/STANDARD

| Pos No. | Parts No    | Parts Name | Qty | Unit | Technical Data | Serial No (Start) | Serial No (End) | Remarks | Pages |
|---------|-------------|------------|-----|------|----------------|-------------------|-----------------|---------|-------|
| 1       | 31477172600 | ROPE ASSY  | 1   |      | L=1480         |                   |                 |         |       |

# TM-ZE260 41008401203A FRAME/STANDARD

| Pos No. | Parts No    | Parts Name | Qty | Unit | Technical Data | Serial No (Start) | Serial No (End) | Remarks | Pages |
|---------|-------------|------------|-----|------|----------------|-------------------|-----------------|---------|-------|
| 1       | 31656370100 | HARNESS    | 1   |      |                |                   |                 |         |       |

# TM-ZE260 41008401203A FRAME/STANDARD

| Pos No. | Parts No    | Parts Name | Qty | Unit | Technical Data | Serial No (Start) | Serial No (End) | Remarks | Pages |
|---------|-------------|------------|-----|------|----------------|-------------------|-----------------|---------|-------|
| 1       | 31656350100 | HARNESS    | 1   |      |                |                   |                 |         |       |

# TM-ZE260 41008401203A FRAME/STANDARD

| Pos No. | Parts No    | Parts Name | Qty | Unit | Technical Data | Serial No (Start) | Serial No (End) | Remarks | Pages |
|---------|-------------|------------|-----|------|----------------|-------------------|-----------------|---------|-------|
| 1       | 31501912100 | HARNESS    | 1   |      |                |                   |                 |         |       |

# TM-ZE260 41008401203A FRAME/STANDARD

| Pos No. | Parts No    | Parts Name | Qty | Unit | Technical Data | Serial No (Start) | Serial No (End) | Remarks | Pages |
|---------|-------------|------------|-----|------|----------------|-------------------|-----------------|---------|-------|
| 1       | 31360741200 | HARNESS    | 1   |      |                |                   |                 |         |       |

CLICK HERE TO **DOWNLOAD** THE COMPLETE MANUAL

- Thank you very much for reading the preview of the manual.
- You can download the complete manual from: [www.heydownloads.com](http://www.heydownloads.com) by clicking the link below



- Please note: If there is no response to CLICKING the link, please download this PDF first and then click on it.

CLICK HERE TO **DOWNLOAD** THE COMPLETE MANUAL

# TM-ZE260 41008401203A FRAME/STANDARD

| Pos No. | Parts No    | Parts Name       | Qty | Unit | Technical Data | Serial No (Start) | Serial No (End) | Remarks | Pages |
|---------|-------------|------------------|-----|------|----------------|-------------------|-----------------|---------|-------|
| 1       | 31504093100 | HARNESS (L=2290) | 1   |      |                |                   |                 |         |       |

# TM-ZE260 41008401203A FRAME/STANDARD

| Pos No. | Parts No    | Parts Name | Qty | Unit | Technical Data | Serial No (Start) | Serial No (End) | Remarks | Pages |
|---------|-------------|------------|-----|------|----------------|-------------------|-----------------|---------|-------|
| 1       | 31502172101 | HARNESS    | 1   |      |                |                   |                 |         |       |

# TM-ZE260 41008401203A FRAME/STANDARD

| Pos No. | Parts No    | Parts Name | Qty | Unit | Technical Data | Serial No (Start) | Serial No (End) | Remarks | Pages |
|---------|-------------|------------|-----|------|----------------|-------------------|-----------------|---------|-------|
| 100     | 31656311100 | HARNESS    | 1   |      |                |                   |                 |         |       |

# TM-ZE260 41008401203A FRAME/STANDARD

| Pos No. | Parts No    | Parts Name   | Qty | Unit | Technical Data | Serial No (Start) | Serial No (End) | Remarks | Pages |
|---------|-------------|--------------|-----|------|----------------|-------------------|-----------------|---------|-------|
| 11      | 91001101600 | O-RING       | 1   |      | 1A P16         |                   |                 |         |       |
| 12      | 36632465490 | SEAL         | 1   |      |                |                   |                 |         |       |
| 13      | 36602555010 | O-RING       | 1   |      |                |                   |                 |         |       |
| 14      | 36632465510 | O-RING       | 1   |      |                |                   |                 |         |       |
| 15      | 91411001600 | RING,BACKUP  | 1   |      | P16            |                   |                 |         |       |
| 30      | 36602550000 | VALVE,RELIEF | 1   |      |                |                   |                 |         |       |

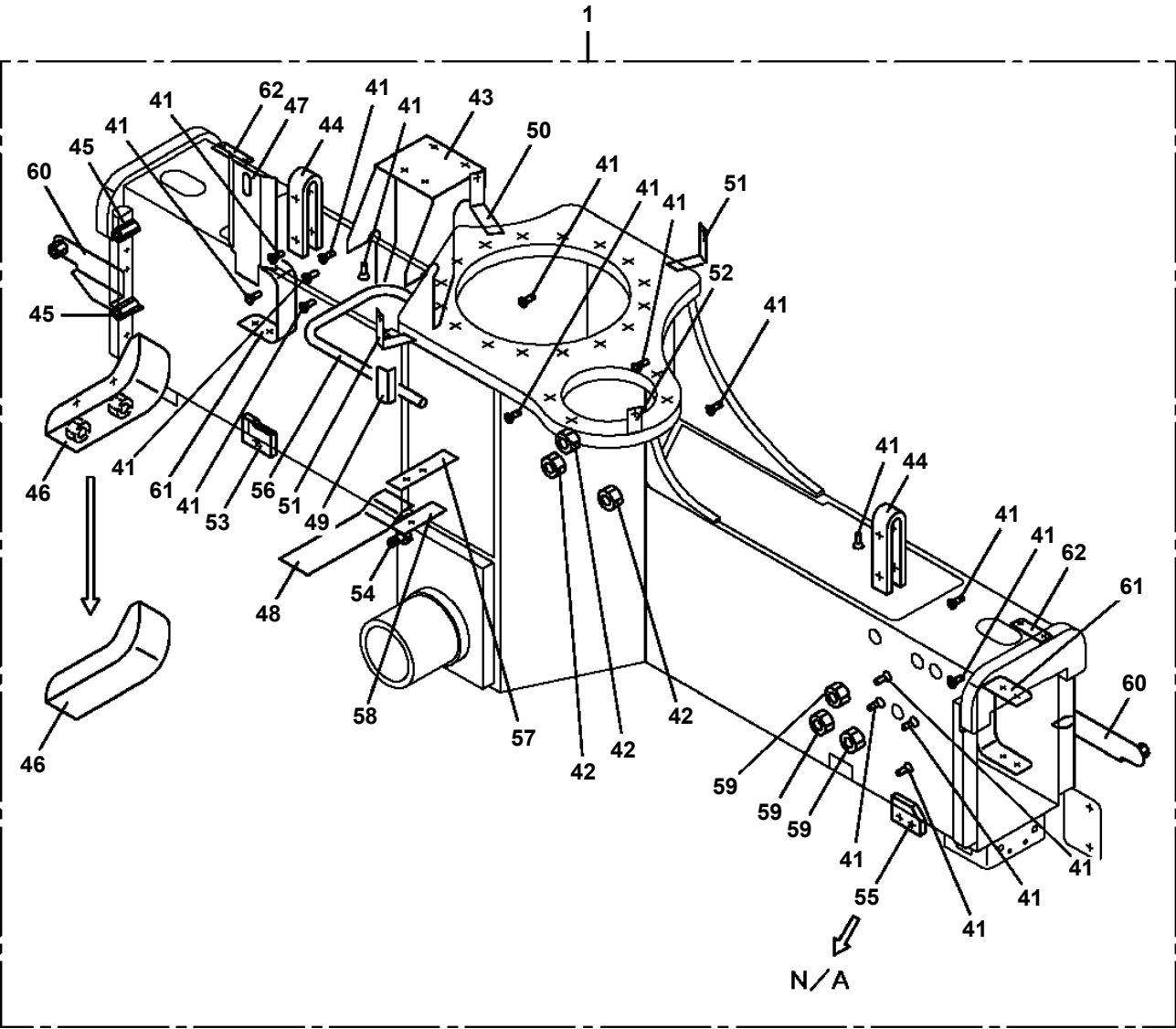
# TM-ZE260 41008401203A FRAME/STANDARD

| Pos No. | Parts No    | Parts Name             | Qty | Unit | Technical Data | Serial No (Start) | Serial No (End) | Remarks |
|---------|-------------|------------------------|-----|------|----------------|-------------------|-----------------|---------|
| 1       | 36672590000 | FILTER,OIL (CARTRIDGE) | 1   |      |                |                   |                 |         |
| 3       | 36672395020 | COVER,HEAD             | 1   |      |                |                   |                 |         |
| 10      | 36672390000 | FILTER,OIL (WAKO)      | 1   |      |                |                   |                 |         |

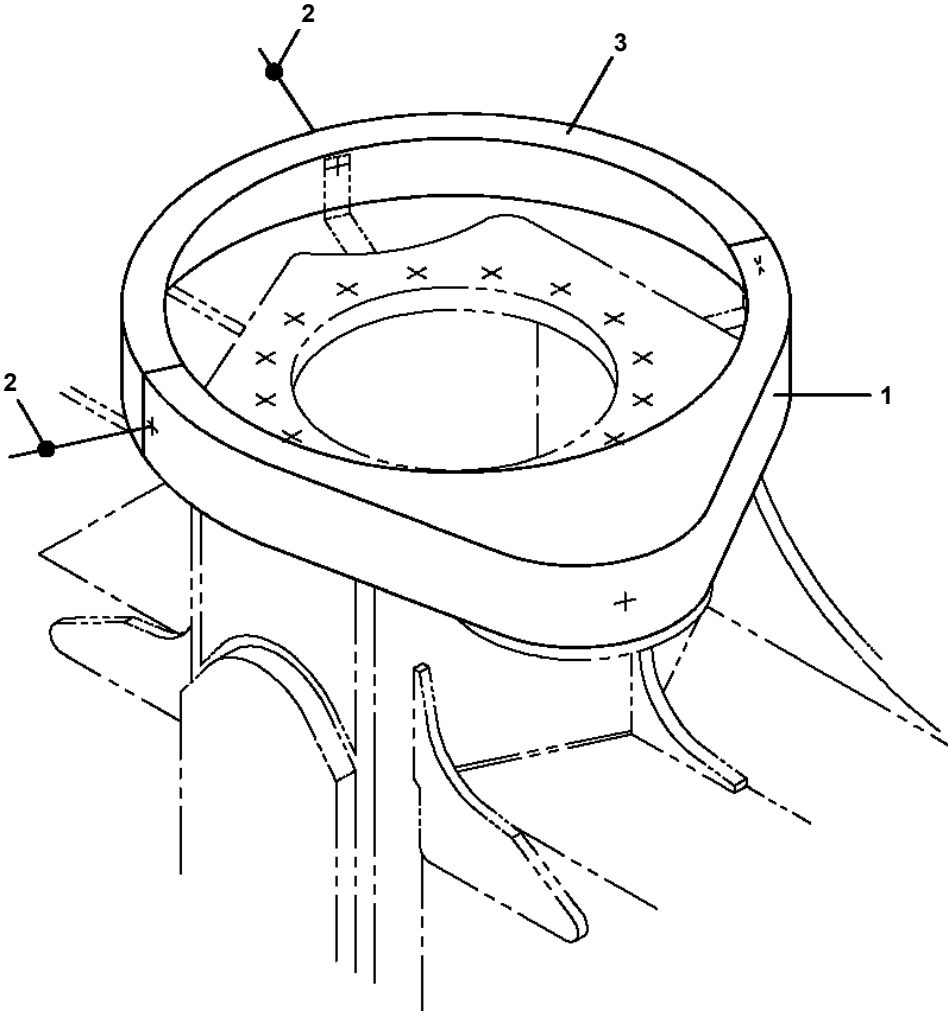
# TM-ZE260 41008401203A FRAME/STANDARD

| Pos No. | Parts No    | Parts Name    | Qty | Unit | Technical Data | Serial No (Start) | Serial No (End) | Remarks | Pages |
|---------|-------------|---------------|-----|------|----------------|-------------------|-----------------|---------|-------|
| 1       | 31362313100 | SUPPORT       | 1   |      |                |                   |                 |         |       |
| 2       | 82108501090 | SWITCH        | 1   |      |                |                   |                 |         |       |
| 3       | 90201200600 | NUT           | 2   |      | M6             |                   |                 |         |       |
| 4       | 90101206014 | BOLT          | 2   |      | M6X14          |                   |                 |         |       |
| 5       | 91850310405 | CLAMP (BLACK) | 4   |      |                |                   |                 |         |       |
| 6       | 91810130240 | FASTENER      | 4   |      |                |                   |                 |         |       |

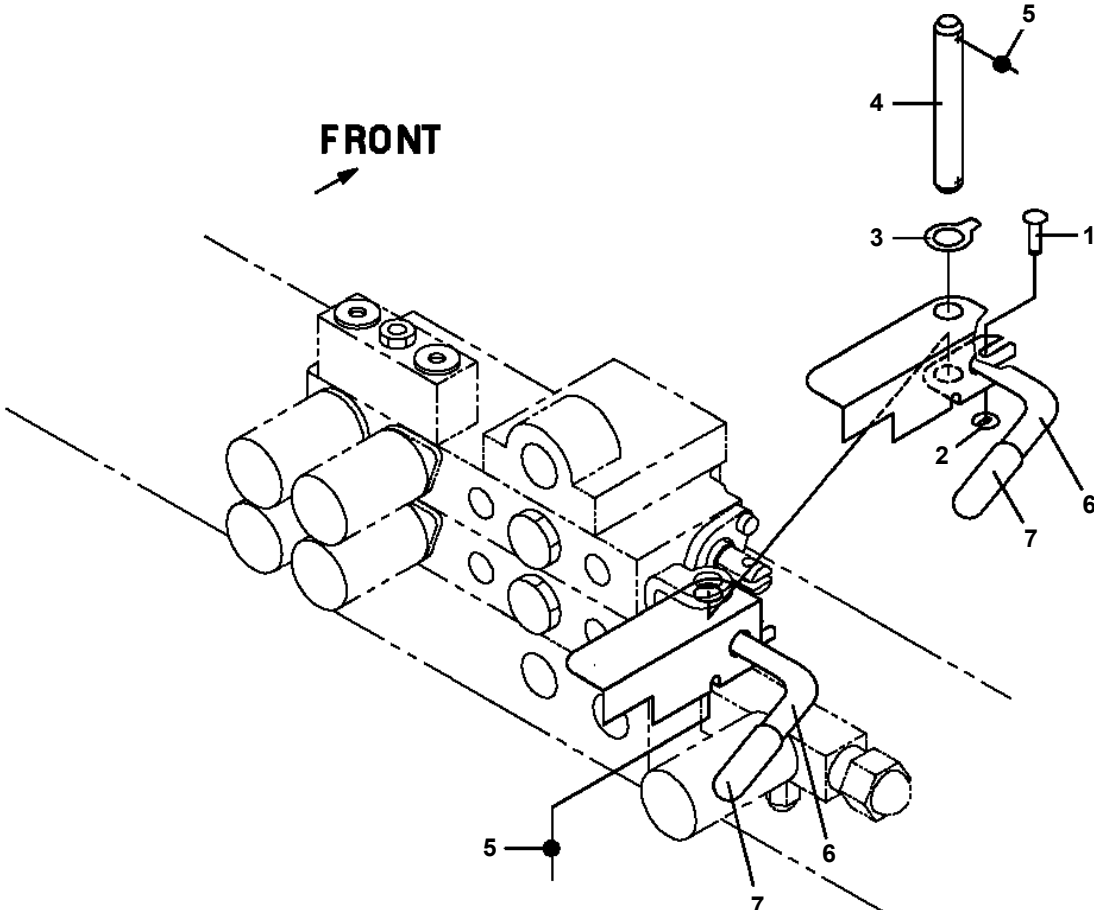
TM-ZE260 41008401203A FRAME/STANDARD  
PK1011435-01 FRAME



**TM-ZE260 41008401203A FRAME/STANDARD  
PK1330438-00 COVER (SWING)**



**TM-ZE260 41008401203A FRAME/STANDARD  
PL1011157-00 OPE.ASSY,CONT.VALVE**

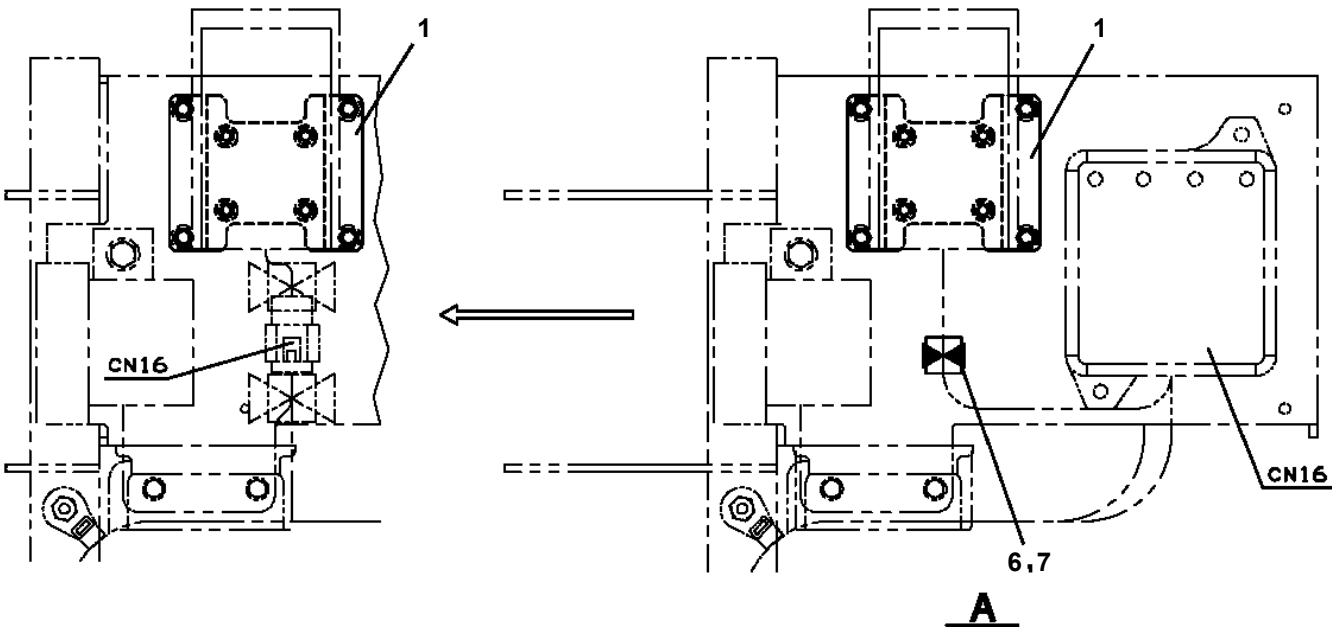
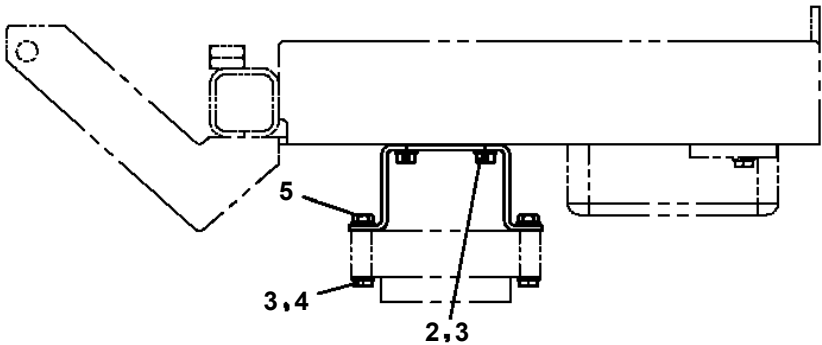
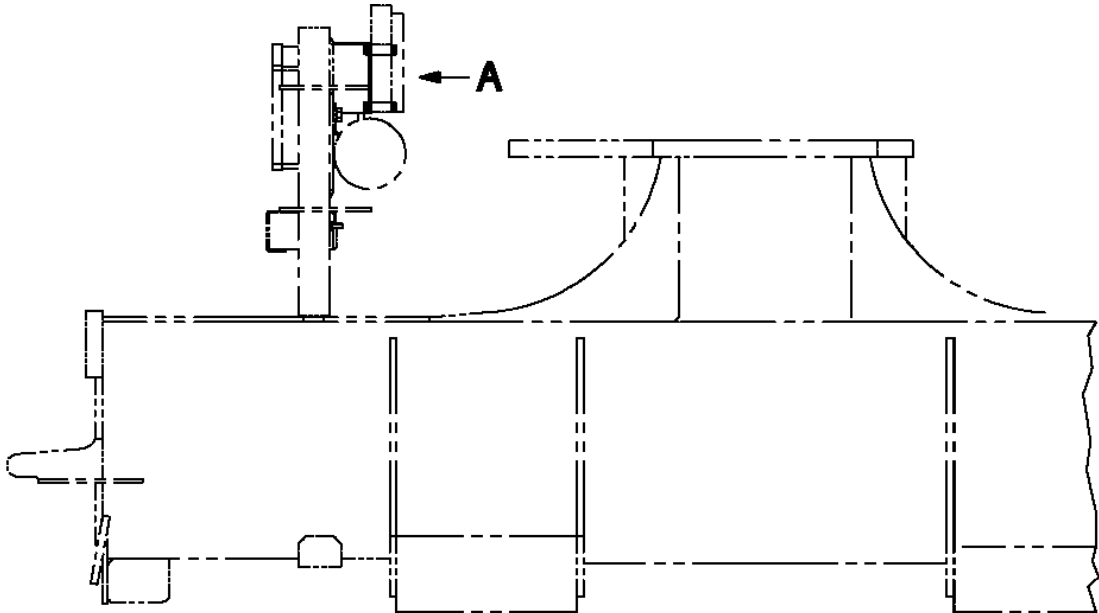


**TM-ZE260 41008401203A FRAME/STANDARD  
PL5020069-00 LAMP ASSY (LED19W BOOM WORKING: W/O SAFETY DEVICES)**

ランプ ASSY  
(LED19Wブームワーキング : アンセ ンソウチナシ)  
LAMP ASSY  
(LED19W BOOM WORKING:W/O SAFETY DEVICES)

【組立名称一覧】より選択してください。  
SEE THE CORRESPONDING "ASSEMBLY NAME" LIST.

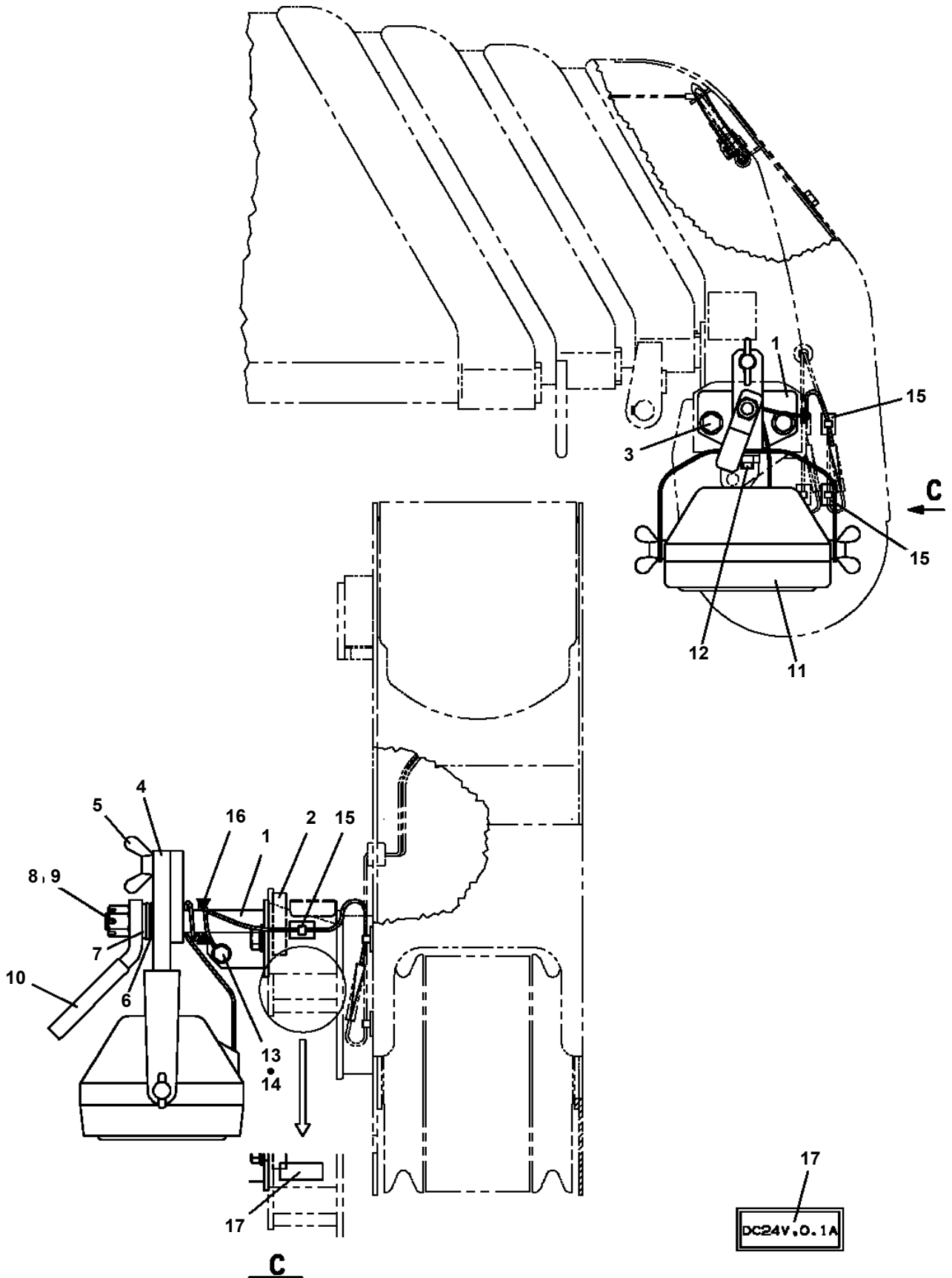
TM-ZE260 41008401203A FRAME/STANDARD  
PN1014535-00 ELEC.ASSY (ANTENNA UNIT)



# TM-ZE260 41008401203A FRAME/STANDARD

| Pos No. | Parts No    | Parts Name                 | Qty | Unit | Technical Data | Serial No (Start) | Serial No (End) | Ren |
|---------|-------------|----------------------------|-----|------|----------------|-------------------|-----------------|-----|
| 3       | 90186208014 | BOLT,FLANGE                | 8   |      | M8X14          |                   |                 |     |
| 4       | 31656140201 | COVER                      | 2   |      |                |                   |                 |     |
| 6       | 31656110100 | PLATE                      | 2   |      |                |                   |                 |     |
| 7       | 90201200600 | NUT                        | 4   |      | M6             |                   |                 |     |
| 8       | 90303070601 | WASHER,PLAIN               | 4   |      | 6              |                   |                 |     |
| 9       | 31655571200 | CONNECTOR                  | 2   |      |                |                   |                 |     |
| 10      | 90101208014 | BOLT                       | 4   |      | M8X14          |                   |                 |     |
| 11      | 90303070801 | WASHER,PLAIN               | 4   |      | 8              |                   |                 |     |
| 31      | 31656141100 | SUPPORT                    | 2   |      |                |                   |                 |     |
| 33      | 31656141320 | SWITCH ASSY (PANASONIC)    | 2   |      |                |                   |                 |     |
|         | 31656141310 | SWITCH ASSY (PLATING:NACC) | 2   |      |                |                   |                 |     |
| 34      | 82197518119 | CAP (PLUS ONE MFG./BLACK)  | 2   |      |                |                   |                 |     |
|         | 82197518114 | CAP (MATSUSHITA/BLACK)     | 2   |      |                |                   |                 |     |
| 35      | 82199514013 | CAP                        | 2   |      |                |                   |                 |     |
| 36      | 82199504017 | NUT                        | 2   |      | AT-401N        |                   |                 |     |
| 37      | 31656171100 | PLATE,NAME                 | 1   |      |                |                   |                 |     |
| 49      | 31656152100 | PLATE,NAME                 | 1   |      |                |                   |                 |     |
| 62      | 82420100813 | TRIM                       | 2   | M    |                |                   |                 |     |

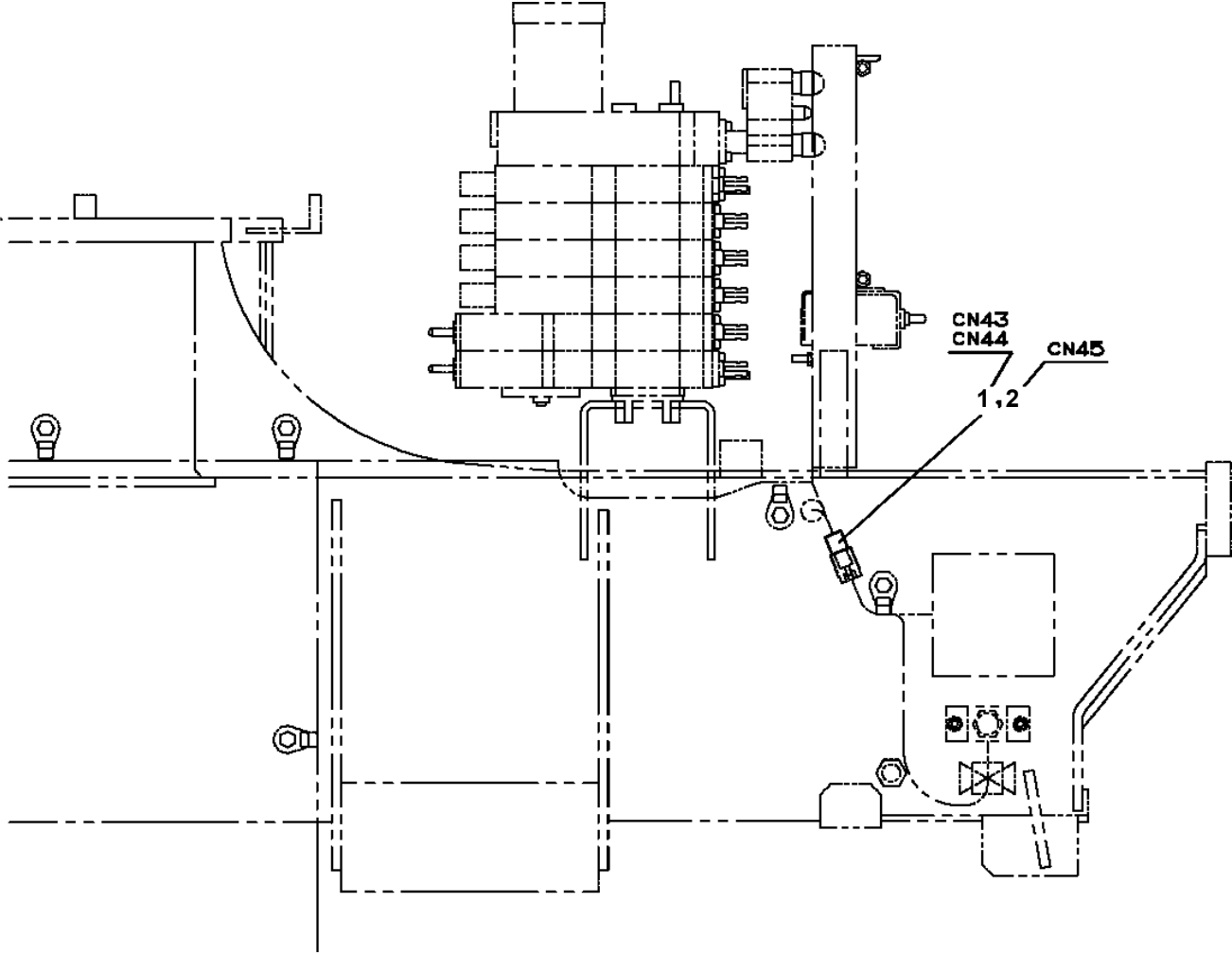
**TM-ZE260 41008401203A FRAME/STANDARD  
PN1014687-03 ELEC.ASSY (UPPER/WORKING LAMP)**



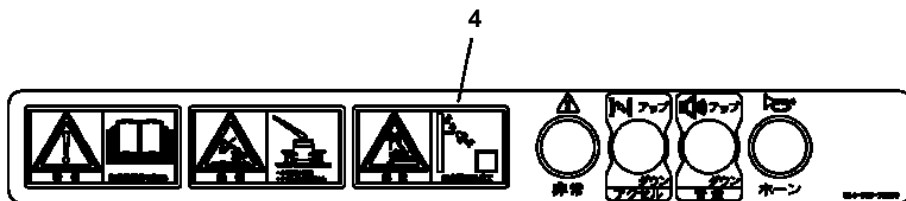
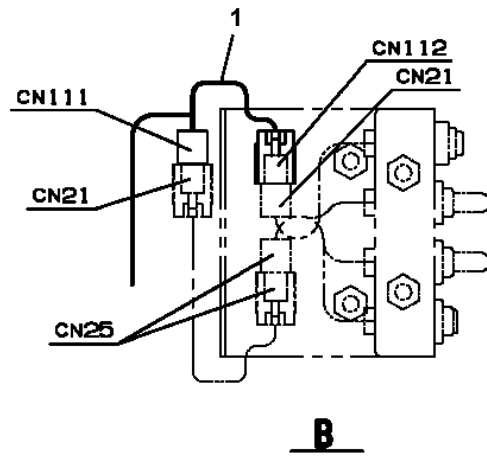
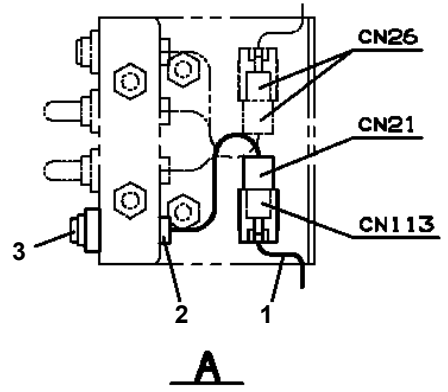
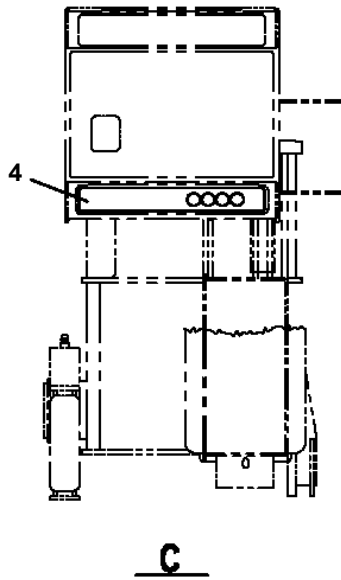
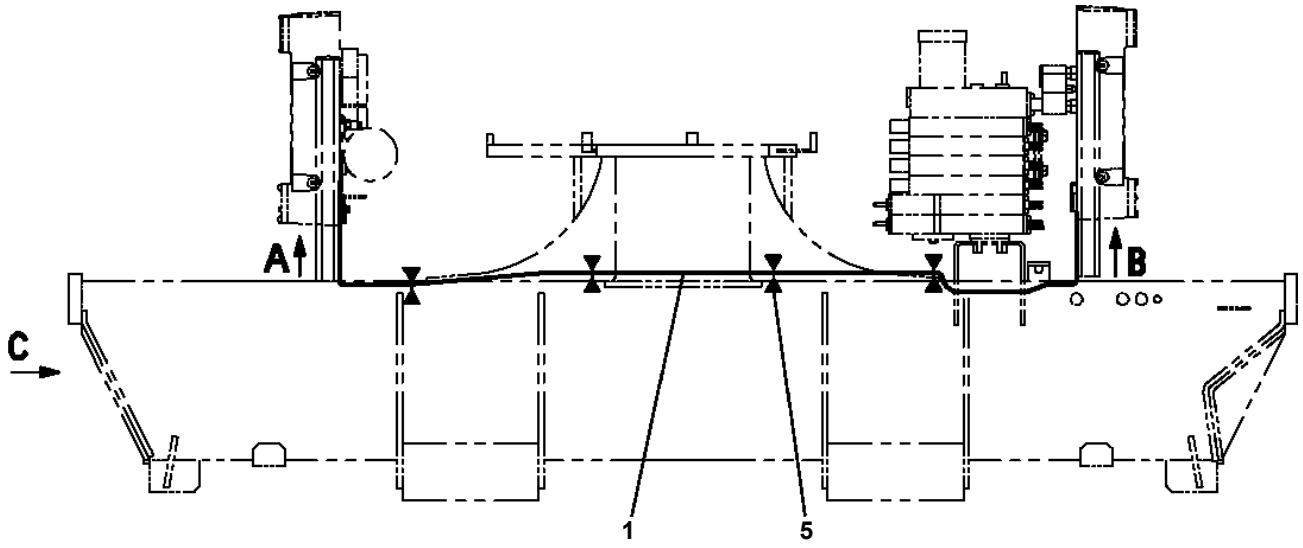
注 意：本図は参考用に掲載しており、形状などは実機と異なります。

NOTE: THE ABOVE FIGURE IS FOR REFERENCE AND MAY DIFFER FROM THE ACTUAL APPEARANCE OF YOUR MACHINE.

**TM-ZE260 41008401203A FRAME/STANDARD  
PN1014860-00 ELEC.ASSY (PLUG FOR O/R PRES.DETECTOR)**



**TM-ZE260 41008401203A FRAME/STANDARD  
PN1014904-01 ELEC.ASSY (EMERGENCY SWITCH/BOTH SIDE)**



# TM-ZE260 41008401203A FRAME/STANDARD

| Pos No. | Parts No    | Parts Name                      | Qty | Unit | Technical Data | Serial No (Start) | Serial No (End) |
|---------|-------------|---------------------------------|-----|------|----------------|-------------------|-----------------|
| 1       | 91850310405 | CLAMP (BLACK)                   | 11  |      |                |                   |                 |
| 2       | 91810130240 | FASTENER                        | 22  |      |                |                   |                 |
| 3       | 91810130250 | FASTENER                        | 5   |      |                |                   |                 |
| 4       | 31656370100 | HARNESS                         | 1   |      |                |                   |                 |
| 5       | 31731072100 | HARNESS                         | 1   |      |                |                   |                 |
| 7       | 31657280200 | COVER                           | 2   |      |                |                   |                 |
| 8       | 90186208020 | BOLT,FLANGE                     | 8   |      | M8X20          |                   |                 |
| 9       | 90280200800 | NUT,FLANGE                      | 8   |      | M8             |                   |                 |
| 10      | 90186206010 | BOLT,FLANGE                     | 6   |      | M6X10          |                   |                 |
| 11      | 31653470100 | SUPPORT                         | 1   |      |                |                   |                 |
| 12      | 31653470200 | SUPPORT                         | 1   |      |                |                   |                 |
| 13      | 31653500300 | HARNESS                         | 1   |      | L=5300         |                   |                 |
| 14      | 31656320100 | HARNESS                         | 1   |      | L=550          |                   |                 |
| 31      | 31653322200 | SWITCH ASSY (WITH HARNESS,2-SW) | 2   |      |                |                   |                 |
| 32      | 82199514013 | CAP                             | 4   |      |                |                   |                 |
| 33      | 82199504017 | NUT                             | 4   |      | AT-401N        |                   |                 |
| 34      | 31657282100 | SUPPORT                         | 2   |      |                |                   |                 |
| 35      | 31656331200 | PLATE,NAME                      | 2   |      |                |                   |                 |

# TM-ZE260 41008401203A FRAME/STANDARD

| Pos No. | Parts No    | Parts Name | Qty | Unit | Technical Data | Serial No (Start) | Serial No (End) | Remarks | Pages |
|---------|-------------|------------|-----|------|----------------|-------------------|-----------------|---------|-------|
| 1       | 31731166100 | HARNESS    | 1   |      | L=2260         |                   |                 |         |       |
| 2       | 91810130240 | FASTENER   | 15  |      |                |                   |                 |         |       |
| 3       | 91850100802 | CLAMP      | 4   |      |                |                   |                 |         |       |
| 4       | 90101206025 | BOLT       | 4   |      | M6X25          |                   |                 |         |       |

# TM-ZE260 41008401203A FRAME/STANDARD

| Pos No. | Parts No | Parts Name                     | Qty | Unit | Technical Data | Serial No (Start) | Serial No (End) |
|---------|----------|--------------------------------|-----|------|----------------|-------------------|-----------------|
| 1       | (*****)  | ELEC.ASSY (LOWER)              | 1   |      |                |                   |                 |
| 2       | (*****)  | ELEC.ASSY (UPPER/WORKING LAMP) | 1   |      |                |                   |                 |

# TM-ZE260 41008401203A FRAME/STANDARD

| Pos No. | Parts No | Parts Name                 | Qty | Unit | Technical Data | Serial No (Start) | Serial No (End) | Remarks |
|---------|----------|----------------------------|-----|------|----------------|-------------------|-----------------|---------|
| 1       | (*****)  | ELEC.ASSY (POST/RELAY BOX) | 1   |      |                |                   |                 |         |
| 2       | (*****)  | ELEC.ASSY (LAMP)           | 1   |      |                |                   |                 |         |

# TM-ZE260 41008401203A FRAME/STANDARD

| Pos No. | Parts No    | Parts Name                    | Qty | Unit | Technical Data | Serial No (Start) | Serial No (End) |
|---------|-------------|-------------------------------|-----|------|----------------|-------------------|-----------------|
| 6       | 82101940130 | SWITCH,PUSH (3PJW106F-021-CC) | 1   |      |                |                   |                 |
| 7       | 82105501002 | SWITCH,TOGGLE (PLATING)       | 1   |      | NACC 3TJW106G  |                   |                 |
| 8       | 82105501007 | SWITCH,TOGGLE                 | 1   |      | NACC 3TJW106D  |                   |                 |
| 10      | 31656012111 | SWITCH ASSY (PLATING:NACC)    | 1   |      |                |                   |                 |

# TM-ZE260 41008401203A FRAME/STANDARD

| Pos No. | Parts No    | Parts Name    | Qty | Unit | Technical Data | Serial No (Start) | Serial No (End) | Remarks | Pages |
|---------|-------------|---------------|-----|------|----------------|-------------------|-----------------|---------|-------|
| 1       | 31501915100 | PLATE,NAME    | 2   |      |                |                   |                 |         |       |
| 2       | 31501915200 | PLATE,NAME    | 1   |      |                |                   |                 |         |       |
| 3       | 31501915300 | PLATE,CAUTION | 3   |      |                |                   |                 |         |       |
| 4       | 31501915400 | PLATE,CAUTION | 1   |      |                |                   |                 |         |       |

# TM-ZE260 41008401203A FRAME/STANDARD

| Pos No. | Parts No    | Parts Name    | Qty | Unit | Technical Data | Serial No (Start) | Serial No (End) | Remarks | Pages |
|---------|-------------|---------------|-----|------|----------------|-------------------|-----------------|---------|-------|
| 1       | 31651760800 | PLATE,CAUTION | 2   |      |                |                   |                 |         |       |
| 2       | 36806846100 | PLATE,CAUTION | 1   |      |                |                   |                 |         |       |

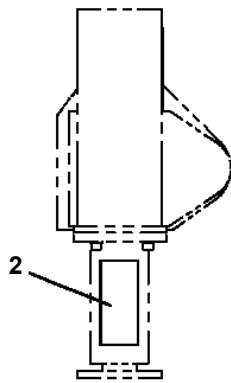
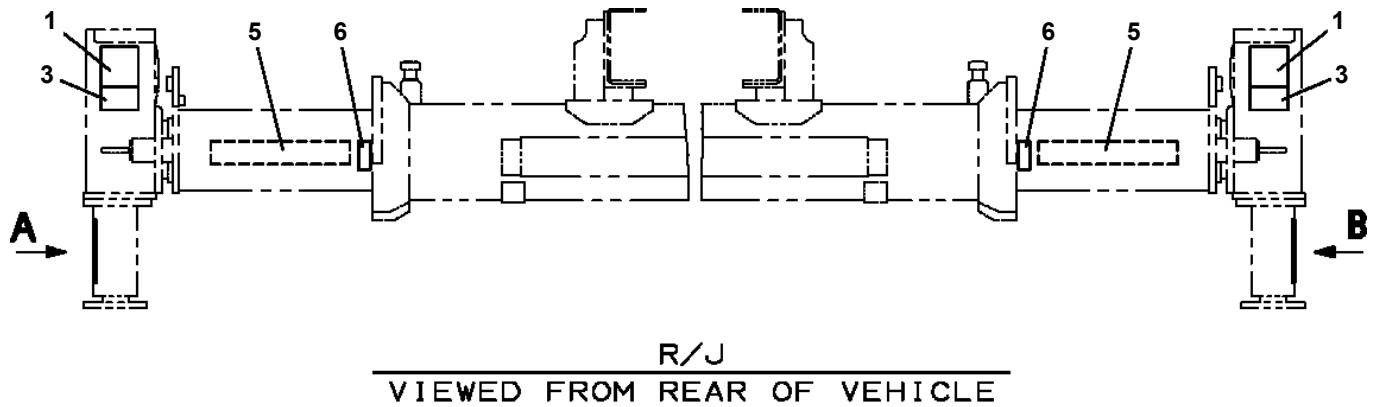
# TM-ZE260 41008401203A FRAME/STANDARD

| Pos No. | Parts No    | Parts Name | Qty | Unit | Technical Data | Serial No (Start) | Serial No (End) | Remarks | Pages |
|---------|-------------|------------|-----|------|----------------|-------------------|-----------------|---------|-------|
| 1       | 31477333100 | PLATE,NAME | 2   |      |                |                   |                 |         |       |

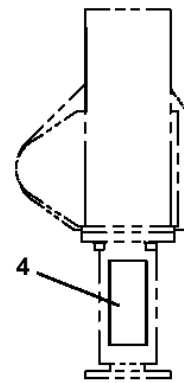
# TM-ZE260 41008401203A FRAME/STANDARD

| Pos No. | Parts No    | Parts Name | Qty | Unit | Technical Data | Serial No (Start) | Serial No (End) | Remarks | Pages |
|---------|-------------|------------|-----|------|----------------|-------------------|-----------------|---------|-------|
| 2       | 31500626101 | PLATE,NAME | 2   |      |                |                   |                 |         |       |

TM-ZE260 41008401203A FRAME/STANDARD  
 PO1015361-01 PLATE ASSY,NAME



**A**



**B**

1

|                                                                                                                                                                          |                                                                             |
|--------------------------------------------------------------------------------------------------------------------------------------------------------------------------|-----------------------------------------------------------------------------|
| <b>警告/走行前の確認</b>                                                                                                                                                         |                                                                             |
| <ul style="list-style-type: none"> <li>● 走行前にリアアウトリガを下記の表通りにしてください。</li> <li>■ ジャッキリングを全開にする。</li> <li>■ リヤアウトリガを全開にする。</li> <li>■ リヤアウトリガをロックピンと走行用ロックで固定する。</li> </ul> |                                                                             |
| <p>ロックピン<br/>                 押さえていけば<br/>                 ロック状態。</p>                                                                                                    | <p>フムが滑かって<br/>                 いればロック状態。<br/>                 (走行用ロック)</p> |
| <small>313-083-0000</small>                                                                                                                                              |                                                                             |

2

|                             |                                                                                           |
|-----------------------------|-------------------------------------------------------------------------------------------|
| <b>警告/リアアウトリガ取扱い</b>        |                                                                                           |
| <p>戻りロックピン</p>              | <ul style="list-style-type: none"> <li>● 作業時および作業終了後、戻りロックピンが入っていることを確認してください。</li> </ul> |
| <b>注意</b>                   |                                                                                           |
|                             | <ul style="list-style-type: none"> <li>● 番号等、目を傷まないように注意してください。</li> </ul>                |
| <small>313-083-0000</small> |                                                                                           |

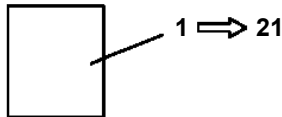
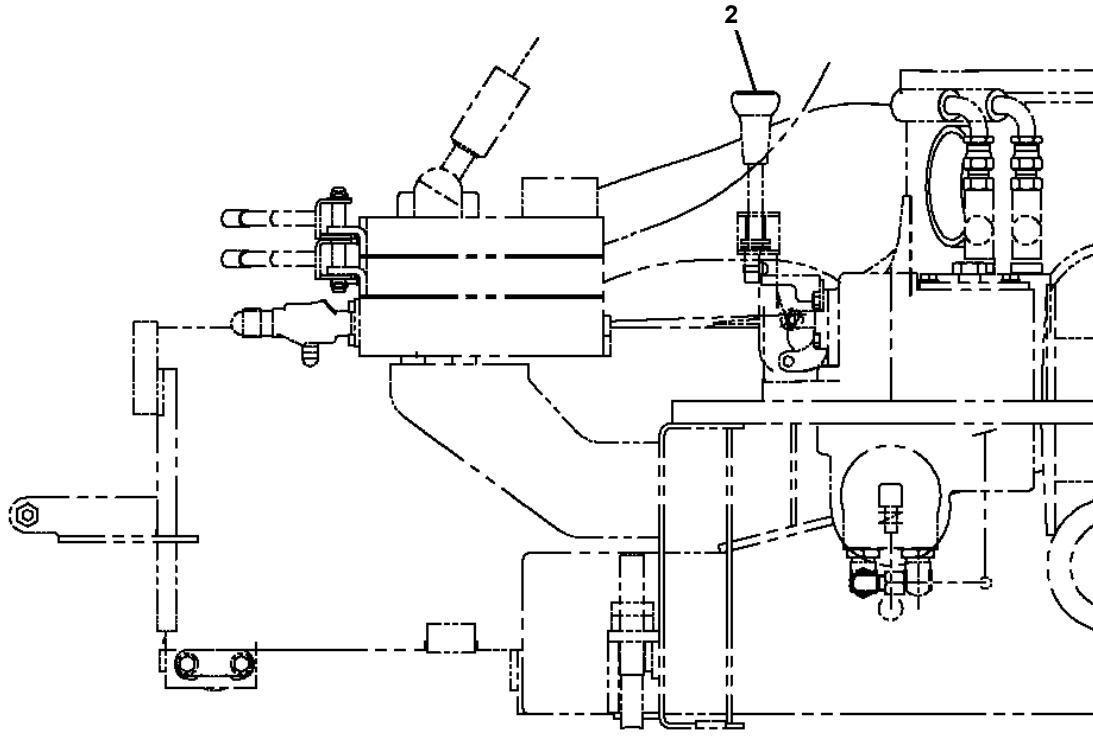
4

|                             |                                                                                           |
|-----------------------------|-------------------------------------------------------------------------------------------|
| <b>警告/リアアウトリガ取扱い</b>        |                                                                                           |
| <p>戻りロックピン</p>              | <ul style="list-style-type: none"> <li>● 作業時および作業終了後、戻りロックピンが入っていることを確認してください。</li> </ul> |
| <b>注意</b>                   |                                                                                           |
|                             | <ul style="list-style-type: none"> <li>● 番号等、目を傷まないように注意してください。</li> </ul>                |
| <small>313-083-0000</small> |                                                                                           |

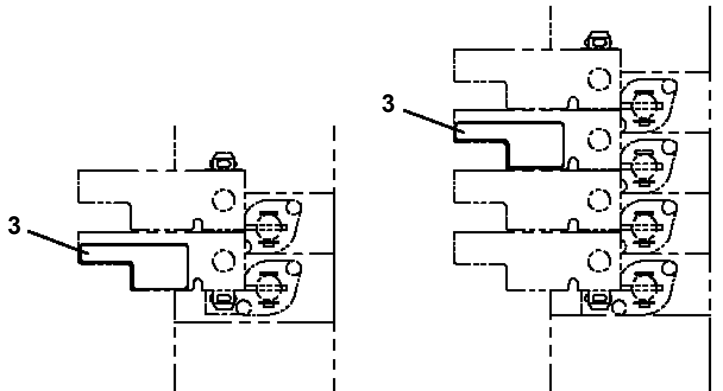
3

|                                                                                                                      |  |
|----------------------------------------------------------------------------------------------------------------------|--|
| <input type="checkbox"/> <b>注 記/リアアウトリガ取扱い</b>                                                                       |  |
| <ul style="list-style-type: none"> <li>● リヤアウトリガを作業させる時、必ずエンジンを始動させ、エンジン回転を少しアップさせた状態 (SOCの音程度) で行ってください。</li> </ul> |  |
| <small>313-083-0000</small>                                                                                          |  |

TM-ZE260 41008401203A FRAME/STANDARD  
PO1015530-02 PLATE ASSY,NAME (CONTROL)



荷台鳥居部のスイッチパネル付近に貼付け



(電磁2連バルブ)

(電磁4連バルブ)

キャリーオーバーバルブ操作部

**警告/セルフウインチ取扱い**

- 取扱説明書をよく読んでから作業してください。
- クラッチが十分に噛み合い、クラッチ入ランプが点灯していることを確認してから、巻上げ、巻下げ作業を行ってください。
- 巻上げ、巻下げは荷台の中心が荷台の中心線上を渡るように行ってください。
- 走行時には、フックをフック掛けに接続し、ワイヤロープを完全にドラムに巻き込んでください。

**警告/クラッチ操作**

- クラッチ操作は、ワイヤロープに張力がかかっている状態で行ってください。
- クラッチの操作は、クラッチスイッチを押した状態でウインチスイッチを巻下げ側に操作するとクラッチが噛み合います。(クラッチ入ランプ点灯)
- クラッチの操作を行ってもクラッチが噛み合えない時はウインチ巻上げ操作を行ってから再び、クラッチの操作を行ってください。
- クラッチ入の操作は、ウインチ巻上げ操作に連動してクラッチが入ります。(クラッチ入ランプ点灯)

317-306-91100

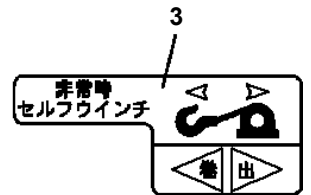
**警告/セルフウインチ取扱いについて**

- 取扱説明書をよく読んでから作業してください。
- 巻上げ、巻下げ作業は、クラッチ入り過巻ランプが点灯している事を確認してから、行ってください。
- クラッチ操作はクラッチレバーを必ずストローケエンDまで作業させてください。

・巻上げ クラッチレバーを引上げ、荷方向に操作する  
・入巻作 ウインチ操作を巻上げ、または巻下げにする  
又は、クラッチレバーを入方向に操作する。  
※クラッチ入り過巻ランプが点灯すれば入巻作です。

- フックに荷重がかかっている時は、絶対にクラッチ操作はしないでください。
- 巻上げ、巻下げ作業は、荷台の中心が荷台の中心線上を渡るように行ってください。
- 走行時には、フックをフック掛けに接続し、ワイヤロープは十分な量の巻にドラムに巻き込んでください。

313-971-40800



**TM-ZE260 41008401203A FRAME/STANDARD  
PP5060012-00 PARTS ASSY,AWL (3 SECTION)**

ハ\* -ツASSY,AML (3タ\* ヅ)  
PARTS ASSY,AML (3 SECTION)

【組立名称一覧】より選択してください。  
SEE THE CORRESPONDING "ASSEMBLY NAME" LIST.

## TM-ZE260 41008401203A FRAME/STANDARD

| Pos No. | Parts No    | Parts Name          | Qty | Unit | Technical Data | Serial No (Start) | Serial No (End) | Remarks | Pa |
|---------|-------------|---------------------|-----|------|----------------|-------------------|-----------------|---------|----|
| 1       | 31731071600 | SUPPORT             | 1   |      |                |                   |                 |         |    |
| 2       | 37002464530 | HOSE                | 1   |      | L=1250         |                   |                 |         |    |
| 3       | 37002513450 | HOSE                | 1   |      | L=1450         |                   |                 |         |    |
| 4       | 91810130270 | FASTENER            | 5   |      |                |                   |                 |         |    |
| 5       | 80400160203 | JOINT (WITH O-RING) | 1   |      |                |                   |                 |         |    |
| 6       | 80400160182 | JOINT (WITH O-RING) | 1   |      |                |                   |                 |         |    |
| 7       | 91803600400 | CLIP                | 2   |      | D=27-40        |                   |                 |         |    |
| 8       | 80430620800 | JOINT               | 1   |      |                |                   |                 |         |    |
| 9       | 80400160189 | JOINT               | 1   |      |                |                   |                 |         |    |
| 10      | 31731071701 | SUPPORT             | 1   |      |                |                   |                 |         |    |
| 11      | 37000604210 | CLAMP               | 1   |      | D=36           |                   |                 |         |    |
| 13      | 90201780800 | NUT                 | 4   |      | M8             |                   |                 |         |    |
| 14      | 90302040801 | WASHER,SPRING       | 4   |      | 8              |                   |                 |         |    |
| 16      | 90171110025 | BOLT                | 5   |      | M10X25         |                   |                 |         |    |
| 17      | 90302041001 | WASHER,SPRING       | 4   |      | 10             |                   |                 |         |    |
| 18      | 90303071001 | WASHER,PLAIN        | 4   |      | 10             |                   |                 |         |    |
| 19      | 90201781000 | NUT                 | 2   |      | M10            |                   |                 |         |    |
| 20      | 80481103020 | JOINT               | 4   |      | PF3/8-PF1/4    |                   |                 |         |    |
| 22      | 91002801400 | O-RING              | 10  |      | 1B P14         |                   |                 |         |    |
| 23      | 82100001413 | TUBE, SPIRAL        | 1   | M    | SE-15BK        |                   |                 |         |    |
| 24      | 90186208016 | BOLT, FLANGE        | 1   |      | M8X16          |                   |                 |         |    |
| 25      | 90280200800 | NUT, FLANGE         | 1   |      | M8             |                   |                 |         |    |
| 26      | 82100001819 | TUBE, SPIRAL        | 1   | M    | SE-18BK        |                   |                 |         |    |
| 27      | 31731071510 | SUPPORT             | 1   |      |                |                   |                 |         |    |
| 28      | 82100002016 | CLAMP               | 1   |      | WR25           |                   |                 |         |    |
| 29      | 90186208010 | BOLT, FLANGE        | 1   |      | M8X10          |                   |                 |         |    |
| 30      | 37000925030 | JOINT               | 2   |      | PF3/8-PF3/8    |                   |                 |         |    |
| 31      | 80481104046 | JOINT               | 1   |      |                |                   |                 |         |    |
| 32      | 91002801800 | O-RING              | 1   |      | 1B P18         |                   |                 |         |    |
| 33      | 37000926260 | JOINT               | 2   |      |                |                   |                 |         |    |
| 34      | 37000932150 | JOINT               | 2   |      | S,G3/8-G3/8    |                   |                 |         |    |
| 51      | 91002802900 | O-RING              | 1   |      | 1B P29         |                   |                 |         |    |
| 61      | 91002801800 | O-RING              | 3   |      | 1B P18         |                   |                 |         |    |

# TM-ZE260 41008401203A FRAME/STANDARD

| Pos No. | Parts No    | Parts Name                     | Qty | Unit | Technical Data | Serial No (Start) | Serial No (End) |
|---------|-------------|--------------------------------|-----|------|----------------|-------------------|-----------------|
| 2       | 31631807570 | CASE (RING)                    | 1   |      |                |                   |                 |
| 4       | 31631807580 | SPACER                         | 1   |      |                |                   |                 |
| 11      | 31631807590 | CLAMP (CABLE)                  | 1   |      |                |                   |                 |
| 15      | 31631807600 | O-RING                         | 1   |      |                |                   |                 |
| 16      | 31631807620 | PACKING                        | 1   |      |                |                   |                 |
| 21      | 31631807610 | HOLDER ASSY,BRUSH (WITH BRUSH) | 1   |      |                |                   |                 |
| 900     | 31631802000 | RING ASSY,SLIP                 | 1   |      |                |                   |                 |

## TM-ZE260 41008401203A FRAME/STANDARD

| Pos No. | Parts No    | Parts Name                     | Qty | Unit | Technical Data    | Serial No (Start) | Serial No |
|---------|-------------|--------------------------------|-----|------|-------------------|-------------------|-----------|
| 1       | 80561100080 | NUT                            | 1   |      | AN08              |                   |           |
| 2       | 80602110800 | RING,RITAINING                 | 1   |      | R80               |                   |           |
| 3       | 36080495210 | SPACER                         | 1   |      |                   |                   |           |
| 4       | 80500006208 | BEARING,BALL                   | 1   |      |                   |                   |           |
| 5       | 36080495220 | WORM                           | 1   |      |                   |                   |           |
| 6       | 36080755030 | BEARING,NEEDLE                 | 1   |      | BK3020+IR25*30*18 |                   |           |
| 7       | 36080495090 | GAUGE,OIL                      | 1   |      |                   |                   |           |
| 8       | 36080235080 | WASHER,SEAL                    | 1   |      | M16               |                   |           |
| 9       | 80316090060 | PLUG                           | 1   |      | KKT PT3/8         |                   |           |
| 10      | 80561100070 | NUT                            | 1   |      | AN07              |                   |           |
| 15      | 91206055002 | SEAL,OIL                       | 1   |      |                   |                   |           |
| 16      | 36080495042 | CASE,GEAR                      | 1   |      |                   |                   |           |
| 17      | 80513006308 | BEARING,BALL                   | 1   |      |                   |                   |           |
| 18      | 36080495050 | BOLT,SEMS (M10X25,WITH WASHER) | 6   |      |                   |                   |           |
| 19      | 36080015000 | PIN                            | 2   |      |                   |                   |           |
| 20      | 36080495060 | KEY                            | 1   |      |                   |                   |           |
| 21      | 36080495070 | WHEEL,WORM                     | 1   |      |                   |                   |           |
| 22      | 36080495230 | CASE,GEAR                      | 1   |      |                   |                   |           |
| 23      | 80500006207 | BEARING,BALL                   | 1   |      |                   |                   |           |
| 51      | 36081775500 | GEAR,SPUR                      | 1   |      |                   |                   |           |
| 100     | 36081770001 | SWING ASSY                     | 1   |      |                   |                   |           |

# TM-ZE260 41008401203A FRAME/STANDARD

| Pos No. | Parts No    | Parts Name                           | Qty | Unit | Technical Data | Serial No (Start) | Serial N |
|---------|-------------|--------------------------------------|-----|------|----------------|-------------------|----------|
| 1       | 36645585010 | BOLT,TIE                             | 1   |      |                |                   |          |
| 2       | 36636085030 | BOLT,TIE (A)                         | 3   |      |                |                   |          |
| 3       | 90201200800 | NUT                                  | 9   |      | M8             |                   |          |
| 4       | 36740830030 | COVER (FRONT)                        | 1   |      |                |                   |          |
| 5       | 36740755010 | BOLT,TIE (B)                         | 1   |      |                |                   |          |
| 6       | 36740755020 | VALVE,CONTROL (JACK)                 | 1   |      |                |                   |          |
| 7       | 36740755030 | VALVE,CONTROL (TELESCOPING)          | 1   |      |                |                   |          |
| 8       | 36740745030 | VALVE,CONTROL (WINCH)                | 1   |      |                |                   |          |
| 9       | 36740745040 | VALVE,CONTROL (ELEVATING)            | 1   |      |                |                   |          |
| 10      | 36740845010 | VALVE,CONTROL (SWING)                | 1   |      |                |                   |          |
| 11      | 36740755050 | PLATE                                | 1   |      |                |                   |          |
| 12      | 91002905500 | O-RING                               | 1   |      | 1B G55         |                   |          |
| 13      | 36740755060 | VALVE,CONTROL (JACK)                 | 1   |      |                |                   |          |
| 14      | 36645375030 | COVER (BOTTOM)                       | 1   |      |                |                   |          |
| 15      | 80720104012 | PIN,SPRING                           | 1   |      | 4X12           |                   |          |
| 16      | 36644835061 | COVER                                | 1   |      |                |                   |          |
| 17      | 36740830101 | VALVE,RELIEF                         | 1   |      |                |                   |          |
| 18      | 36645615230 | C-BOLT                               | 4   |      | 5X12           |                   |          |
| 19      | 91001101100 | O-RING                               | 3   |      | 1A P11         |                   |          |
| 20      | 36644115130 | PLUG                                 | 3   |      |                |                   |          |
| 21      | 36649075060 | CAM                                  | 2   |      |                |                   |          |
| 22      | 36646865110 | SCREW,SET                            | 2   |      |                |                   |          |
| 23      | 36649555080 | SWITCH ASSY                          | 1   |      |                |                   |          |
| 24      | 36647125090 | SCREW,MACHINE                        | 2   |      | M2.3X14        |                   |          |
| 25      | 36646575070 | PLATE                                | 1   |      |                |                   |          |
| 26      | 36647125100 | NUT                                  | 2   |      | M2.3           |                   |          |
| 27      | 36740745090 | COVER                                | 1   |      |                |                   |          |
| 28      | 36649555130 | SCREW,MACHINE                        | 3   |      | M5X8           |                   |          |
| 29      | 80172104006 | SCREW,MACHINE                        | 2   |      | M4X6           |                   |          |
| 30      | 36645405050 | BUSH                                 | 1   |      |                |                   |          |
| 31      | 36645405060 | TUBE                                 | 1   |      |                |                   |          |
| 32      | 36740745100 | LVDT ASSY (1SET=4PCS WITH CONNECTOR) | 1   |      |                |                   |          |
| 33      | 36644015220 | SHIM (T=0.2)                         | 8   |      |                |                   |          |
| 34      | 36644015230 | SHIM (T=0.3)                         | 8   |      |                |                   |          |
| 35      | 36645405110 | SHIM (T=1.0)                         | 4   |      |                |                   |          |
| 36      | 36645405100 | BOLT                                 | 8   |      | M4X22          |                   |          |
| 37      | 36644015120 | CONNECTOR                            | 2   |      |                |                   |          |
| 38      | 36644015130 | TUBE                                 | 5   |      |                |                   |          |
| 39      | 11615111410 | BAND                                 | 12  |      |                |                   |          |
| 40      | 36649585260 | HARNESS                              | 2   |      |                |                   |          |
| 41      | 36644015110 | CONNECTOR                            | 3   |      |                |                   |          |
| 42      | 36740745110 | HARNESS ASSY (SOLENOID)              | 1   |      |                |                   |          |
| 43      | 36740785020 | TUBE                                 | 1   |      |                |                   |          |
| 44      | 36646865070 | CLIP                                 | 1   |      |                |                   |          |
| 45      | 90303070801 | WASHER,PLAIN                         | 1   |      | 8              |                   |          |
| 46      | 90302040801 | WASHER,SPRING                        | 1   |      | 8              |                   |          |
| 47      | 90101208012 | BOLT                                 | 1   |      | M8X12          |                   |          |
| 48      | 36644015080 | BOX                                  | 1   |      |                |                   |          |
| 49      | 36644015140 | COVER                                | 1   |      |                |                   |          |
| 50      | 36644015150 | URETHANE (ROOL STOCK)                | 4   |      |                |                   |          |
| 51      | 36644015070 | COVER                                | 1   |      |                |                   |          |
| 52      | 36645405150 | SCREW,MACHINE                        | 4   |      | M3X5           |                   |          |
| 53      | 36646865060 | FASTENER                             | 2   |      |                |                   |          |
| 54      | 36647855190 | SCREW,MACHINE                        | 2   |      | M5X12          |                   |          |
| 55      | 36740765040 | BAND                                 | 2   |      |                |                   |          |
| 56      | 36741985040 | PLUG                                 | 2   |      |                |                   |          |
| 57      | 36646485040 | PLUG                                 | 2   |      |                |                   |          |
| 59      | 36741985050 | PLUG                                 | 13  |      |                |                   |          |
| 60      | 36640755070 | CAP                                  | 5   |      |                |                   |          |
| 64      | 36740745200 | GUARD                                | 1   |      |                |                   |          |
| 81      | 36740745190 | LVDT ASSY (1PC WITHOUT CONNECTOR)    | 4   |      |                |                   |          |
| 105     | 80316030020 | PLUG                                 | 3   |      | PT1/8          |                   |          |
| 106     | 36740765060 | SPRING                               | 1   |      |                |                   |          |

## TM-ZE260 41008401203A FRAME/STANDARD

| Pos No. | Parts No    | Parts Name               | Qty | Unit | Technical Data | Serial No (Start) | Serial No (End) | Remark |
|---------|-------------|--------------------------|-----|------|----------------|-------------------|-----------------|--------|
| 1       | 36062745010 | BODY                     | 1   |      |                |                   |                 |        |
| 2       | 36062825010 | ROD ASSY                 | 1   |      |                |                   |                 |        |
| 3       | 36062745030 | SPRING (A)               | 1   |      |                |                   |                 |        |
| 4       | 36062745040 | SPRING (B)               | 1   |      |                |                   |                 |        |
| 5       | 36062745050 | COVER (SEAL)             | 1   |      |                |                   |                 |        |
| 6       | 80602110380 | RING,RITAINING           | 1   |      | R38            |                   |                 |        |
| 7       | 36648375020 | BALL,STEEL               | 9   |      | 3/16           |                   |                 |        |
| 8       | 36648375030 | BALL,STEEL               | 5   |      | 5/32           |                   |                 |        |
| 9       | 91001101400 | O-RING                   | 2   |      | 1A P14         |                   |                 |        |
| 10      | 91001102800 | O-RING                   | 1   |      | 1A P28         |                   |                 |        |
| 11      | 91001003200 | O-RING                   | 1   |      | 1A S32         |                   |                 |        |
| 12      | 91001003150 | O-RING                   | 1   |      | 1A S31.5       |                   |                 |        |
| 13      | 91001002200 | O-RING                   | 2   |      | S22            |                   |                 |        |
| 14      | 91650001400 | SCRAPER                  | 2   |      |                |                   |                 |        |
| 15      | 36062445011 | LVDT ASSY (A/WITH CORE,) | 1   |      |                |                   |                 |        |
| 16      | 36644015220 | SHIM (T=0.2)             | 2   |      |                |                   |                 |        |
| 17      | 36644015230 | SHIM (T=0.3)             | 2   |      |                |                   |                 |        |
| 18      | 36062745060 | FLANGE                   | 1   |      |                |                   |                 |        |
| 19      | 80172105008 | SCREW,MACHINE            | 2   |      | M5X8           |                   |                 |        |
| 21      | 36062635050 | TUBE,CORRUGATE           | 1   |      | 10             |                   |                 |        |
| 22      | 80172104010 | SCREW,MACHINE            | 5   |      | M4X10          |                   |                 |        |
| 25      | 36081315130 | PROTECTOR (THREAD)       | 2   |      |                |                   |                 |        |
| 27      | 36645405100 | BOLT                     | 2   |      | M4X22          |                   |                 |        |
| 28      | 36062635030 | FASTENER                 | 1   |      |                |                   |                 |        |
| 29      | 90303070401 | WASHER,PLAIN             | 1   |      | 4              |                   |                 |        |
| 30      | 36645405110 | SHIM (T=1.0)             | 1   |      |                |                   |                 |        |
| 31      | 36062745090 | VALVE ASSY,SOLENOID      | 1   |      |                |                   |                 |        |
| 100     | 36062820000 | CYLINDER,ACCELERATOR     | 1   |      |                |                   |                 |        |

# TM-ZE260 41008401203A FRAME/STANDARD

| Pos No. | Parts No    | Parts Name  | Qty | Unit | Technical Data | Serial No (Start) | Serial No (End) | Remarks | Pages |
|---------|-------------|-------------|-----|------|----------------|-------------------|-----------------|---------|-------|
| 10      | 36804914000 | BOX,STOWING | 1   |      |                |                   |                 |         |       |

# TM-ZE260 41008401203A FRAME/STANDARD

| Pos No. | Parts No    | Parts Name   | Qty | Unit | Technical Data | Serial No (Start) | Serial No (End) | Remarks | Pages |
|---------|-------------|--------------|-----|------|----------------|-------------------|-----------------|---------|-------|
| 2       | 42461050200 | STOPPER,TIRE | 1   |      |                |                   |                 |         |       |

# TM-ZE260 41008401203A FRAME/STANDARD

| Pos No. | Parts No    | Parts Name                  | Qty | Unit | Technical Data | Serial No (Start) | Serial No (End) | R |
|---------|-------------|-----------------------------|-----|------|----------------|-------------------|-----------------|---|
| 1       | (*****)     | PIPING,OUTRIGGER            | 1   |      |                |                   |                 |   |
| 2       | 31501641000 | ELEC.ASSY (JACK INTERLOCK)  | 1   |      |                |                   |                 |   |
| 6       | (*****)     | PLATE ASSY,NAME (INTERLOCK) | 1   |      |                |                   |                 |   |
| 7       | (*****)     | COVER (O/R HARNESS PROTECT) | 1   |      |                |                   |                 |   |

# TM-ZE260 41008401203A FRAME/STANDARD

| Pos No. | Parts No | Parts Name            | Qty | Unit | Technical Data | Serial No (Start) | Serial No (End) | Remarks |   |
|---------|----------|-----------------------|-----|------|----------------|-------------------|-----------------|---------|---|
| 1       | (*****)  | PIPING ASSY           | 1   |      |                |                   |                 |         | C |
| 2       | (*****)  | ELEC.ASSY             | 1   |      |                |                   |                 |         | C |
| 3       | (*****)  | LAMP ASSY (ALARM/RED) | 2   |      |                |                   |                 |         | C |
| 5       | (*****)  | NAME PLATE ASSY       | 1   |      |                |                   |                 |         | C |

CLICK HERE TO **DOWNLOAD** THE COMPLETE MANUAL

- Thank you very much for reading the preview of the manual.
- You can download the complete manual from: [www.heydownloads.com](http://www.heydownloads.com) by clicking the link below



- Please note: If there is no response to CLICKING the link, please download this PDF first and then click on it.

CLICK HERE TO **DOWNLOAD** THE COMPLETE MANUAL