

SS-27-1-00072 FOR GENERAL, WIDE CAB, WB:3.3

PK1000780-00 FRAME

PK3000016-00 GATE SYSTEM (HELPER TYPE/WIDE WIDTH/MANUAL)

PO1000152-01 INDICATION PLATES

PW1000040-01 ACCESSORIES & TOOLS

PY1000583-01 OPTIONS (ACCESSORIES)

PY1000584-01 OPTIONS (BODY)

PY1000585-02 OPTIONS (RAMP)

PY1000733-01 OPTIONS (USER)

ASSEMBLY

CLICK HERE TO **DOWNLOAD** THE COMPLETE MANUAL

- Thank you very much for reading the preview of the manual.
- You can download the complete manual from: www.heydownloads.com by clicking the link below



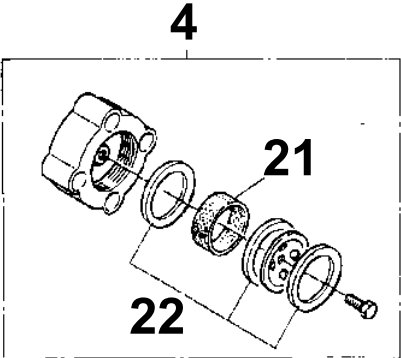
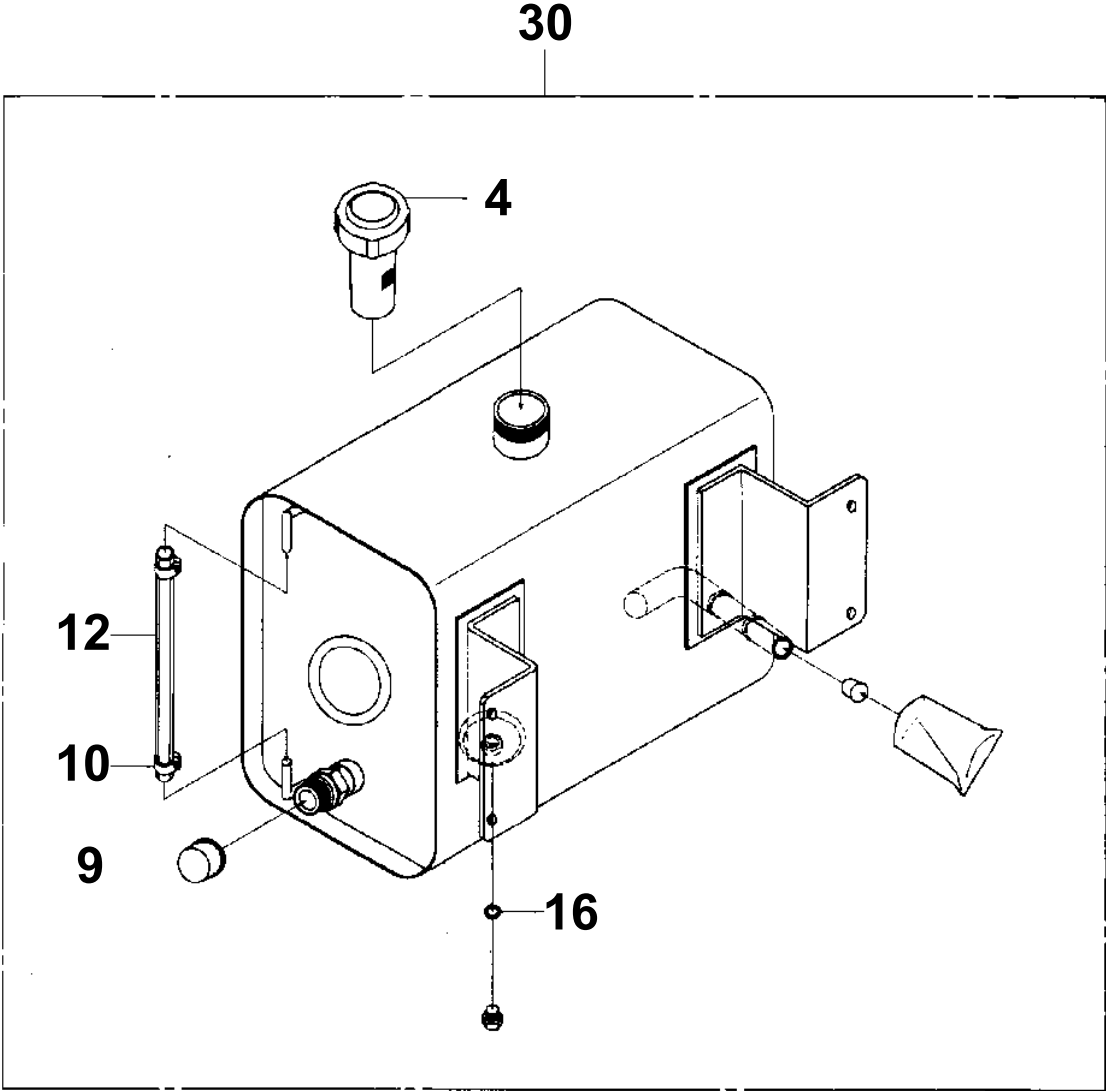
- Please note: If there is no response to CLICKING the link, please download this PDF first and then click on it.

CLICK HERE TO **DOWNLOAD** THE COMPLETE MANUAL

SS-27-1-00072 FOR GENERAL, WIDE CAB, WB:3.3

Pos No.	Parts No	Parts Name	Qty	Unit	Technical Data	Serial No (Start)	Serial No (End)
3	(*****)	HOOK	1				
	(*****)	HOOK	1				
	(*****)	HOOK (9X21M 2-PART LINE,2TON)	1				
	(*****)	HOOK	1				UA1
	(*****)	HOOK	1			UA1383	
4	(*****)	MOUNT,LAMP (MARKER LAMP:2PAIRS 4PCS)	1				
	(*****)	MOUNT,LAMP	1				
	(*****)	MOUNT,LAMP	1				
	(*****)	MOUNT,LAMP	1				
	(*****)	MOUNT,LAMP (TIRE LAMP 1PC/LEFT SIDE)	1				
	(*****)	MOUNT,LAMP	1				
5	(*****)	MOUNT,RAMP	1				
	(*****)	MOUNT,RAMP	1				
6	(*****)	PIPING ASSY (CRANE/WITH REAR JACK)	1				
8	(*****)	MIRROR INSTALLATION	1				
9	(*****)	ELECTRICAL ACCESSORIES	1				
25	(*****)	MOUNT ASSY (RADIO CONTROLLER/KYOKUTO)	1				
51	(*****)	OPERATION SYSTEM, CONTROL VALVE	1				
	(*****)	OPERATION SYSTEM, CONTROL VALVE	1				
52	(*****)	PLATE,INDICATION	1				
	(*****)	PLATE,INDICATION	1				
53	(*****)	PIPING,LOWER (NO WINCH)	1				
54	(*****)	COVER INSTALLATION OPTION)	1				
55	(*****)	CONNECTION PARTS (OPTION)	1				
61	(*****)	OPE.ASSY,CONT.VALVE (OP.)	1				
	(*****)	OPE.ASSY,CONT.VALVE (AG)	1				
62	(*****)	PLATE ASSY,NAME (OPTION)	1				
63	(*****)	SWITCH INSTALLATION	1				
64	(*****)	ELEC.ASSY (AUTOMATIC RAMP OPERATION)	1				
65	(*****)	RADIO CONTROL (KIT:MITSUMI)	1				
66	(*****)	ELEC.ASSY (RADIO CONTROL)	1				
67	36801811000	SWITCH BOX (SELF WINCH RADIO CONTROL)	1				
68	36801782000	ANTENNA (FOR RADIO CONTROL)	1				
71	(*****)	SUPPORT (OPTION)	1				
	(*****)	SUPPORT (KWL+E.X.P.-TYPE)	1				
72	(*****)	HOOK (KWL+TM,KW,WL)	1				
	(*****)	HOOK (OPTION)	1				
73	(*****)	PLATE ASSY,NAME (OPTION)	1				
81	(*****)	OPE.ASSY,CONT.VALVE (WINCH)	1				
82	(*****)	PLATE ASSY,NAME (WINCH,OPTION)	1				

SS-27-1-00072 FOR GENERAL, WIDE CAB, WB:3.3
PB1130153-00 TANK,OIL



SS-27-1-00072 FOR GENERAL, WIDE CAB, WB:3.3

Pos No.	Parts No	Parts Name	Qty	Unit	Technical Data	Serial No (Start)	Serial No (End)	Remarks	Pages
1	37002459940	HOSE	2		L=2800				
2	37002459950	HOSE	2		L=900				
3	81408000100	PIPE,STEEL	5	M	10X1.2T				
5	31420032100	SUPPORT	2						
6	80320020060	FITTING	2						
7	80320020050	FITTING	2		KUF10-020N				
8	80400160129	JOINT	2						
9	91002801400	O-RING	2		1B P14				
10	82100002039	CLAMP	1						
11	90101208012	BOLT	1		M8X12				
12	90302040801	WASHER,SPRING	9		8				
13	91810130250	FASTENER	1						
14	37000601410	CUSHION	8						
15	37000601110	CLAMP	4						
16	90101508030	BOLT	4		M8X30				
17	90101208020	BOLT	4		M8X20				
18	90303070801	WASHER,PLAIN	4		8				

SS-27-1-00072 FOR GENERAL, WIDE CAB, WB:3.3

Pos No.	Parts No	Parts Name	Qty	Unit	Technical Data	Serial No (Start)	Serial No (End)	Remarks	Page
1	31690520100	GUARD ASSY	1						
2	31691320300	FRAME ASSY	1						0000
3	31690863000	GATE ASSY (REAR)	1						
6	82400000475	PLATE	9						
7	31690530800	COVER	1						
8	90101206012	BOLT	16		M6X12				
9	90302040601	WASHER,SPRING	16		6				
12	31690530700	COVER	1						
32	90101210025	BOLT	4		M10X25				
33	90201201000	NUT	16		M10				
34	31690864100	SUPPORT	1						
35	31690864200	SUPPORT	1						
36	31690864300	SUPPORT	2						
37	31690864400	CATCH	2						
38	80175305010	SCREW,MACHINE	16		M5X10				
51	90101210020	BOLT	12		M10X20				
53	90302041001	WASHER,SPRING	16		10				
54	90101206020	BOLT	15		M6X20				
55	90302040601	WASHER,SPRING	15		6				
56	31690525010	PLATE	15						
71	31690696100	CATCH	2						
72	90101208020	BOLT	4		M8X20				
73	90302040801	WASHER,SPRING	4		8				
74	90180208020	BOLT,BUTTON	16		M8X20				
75	90303070801	WASHER,PLAIN	16		8				
76	90261000800	U-NUT	16		M8				
77	80185306040	SCREW,MACHINE	4		M6X40				
78	90201200600	NUT	4		M6				
79	82400000492	INSULATOR	4						
91	37000168560	PIN	4						
92	80136340040	PIN,SPLIT	8		4X40				
93	90303072001	WASHER,PLAIN	10		20				
94	31690524100	CATCH	2						
121	31691325100	FRAME ASSY	1						
122	31691325200	FRAME ASSY	1						
131	31690521940	HINGE	6						
132	31420113300	HINGE ASSY	1						
147	82400000483	HINGE	8						

SS-27-1-00072 FOR GENERAL, WIDE CAB, WB:3.3

Pos No.	Parts No	Parts Name	Qty	Unit	Technical Data	Serial No (Start)	Serial No (End)	Remarks	Pages
6	36092585010	SHEAVE ASSY	1						
12	36092585020	STOPPER ASSY	1						
20	36092580000	HOOK (1.5TON)	1						

SS-27-1-00072 FOR GENERAL, WIDE CAB, WB:3.3

Pos No.	Parts No	Parts Name	Qty	Unit	Technical Data	Serial No (Start)	Serial No (End)	Remarks	Pages
1	31474932100	TOOL	2						
2	31475802100	ROPE,WIRE	1						
3	31474932600	SHACKLE	12						
4	31475802200	ROPE,WIRE	1						
5	31474932500	HOOK	4						
6	31474932300	SHACKLE	2						
7	90171110020	BOLT	2		M10X20				
8	90302041001	WASHER,SPRING	4		10				
9	90303071001	WASHER,PLAIN	4		10				
10	90171110025	BOLT	2		M10X25				
32	31474937530	SHEAVE	12						

SS-27-1-00072 FOR GENERAL, WIDE CAB, WB:3.3

Pos No.	Parts No	Parts Name	Qty	Unit	Technical Data	Serial No (Start)	Serial No (End)	Remarks
1	31292361000	ROPE,WIRE (WITH HOOK)	1		9X15M			
2	31291344000	SHEAVE ASSY	2					
3	37002600021	WEDGE	1		9			
31	83155316000	SHACKLE	2					
32	31291344100	SUPPORT	2					
33	37001008870	SHEAVE	2					
34	90171110014	BOLT	2		M10X14			
35	90302041001	WASHER,SPRING	2		10			
36	37000180220	PIN	2					

SS-27-1-00072 FOR GENERAL, WIDE CAB, WB:3.3

Pos No.	Parts No	Parts Name	Qty	Unit	Technical Data	Serial No (Start)	Serial No (End)	Remarks	Pages
1	31474931300	PLATE	1						
2	31474931100	SHEAVE	1						
3	31474931600	SHEAVE	2						
4	31475821100	SUPPORT	1						
5	31474931500	SHEAVE	2						
6	31475821200	SUPPORT	1						
7	31475821300	PLATE	1						
8	31475801200	SUPPORT	12						
22	31474937510	SHEAVE	3						
32	31474937520	SHEAVE	2						

SS-27-1-00072 FOR GENERAL, WIDE CAB, WB:3.3

Pos No.	Parts No	Parts Name	Qty	Unit	Technical Data	Serial No (Start)	Serial No (End)	Remarks	Pages
2	31691340620	FLOOR	1						
3	31691340630	FLOOR	1						
4	90101212025	BOLT	16		M12X25				
5	90302041201	WASHER, SPRING	16		12				
6	90201201200	NUT	16		M12				
7	31690520690	HOOK, FLOOR	8						
8	31691340680	FLOOR	2						
100	31691340300	FRAME ASSY	1						

SS-27-1-00072 FOR GENERAL, WIDE CAB, WB:3.3

Pos No.	Parts No	Parts Name	Qty	Unit	Technical Data	Serial No (Start)	Serial No (End)	Remarks	Pages
1	31350010200	HARNESS	1						

SS-27-1-00072 FOR GENERAL, WIDE CAB, WB:3.3

Pos No.	Parts No	Parts Name	Qty	Unit	Technical Data	Serial No (Start)	Serial No (End)	Remarks	Pages
1	31474861100	HARNESS	1						

SS-27-1-00072 FOR GENERAL, WIDE CAB, WB:3.3

Pos No.	Parts No	Parts Name	Qty	Unit	Technical Data	Serial No (Start)	Serial No (End)	Remarks	Pages
100	31474470100	HARNESS	1						

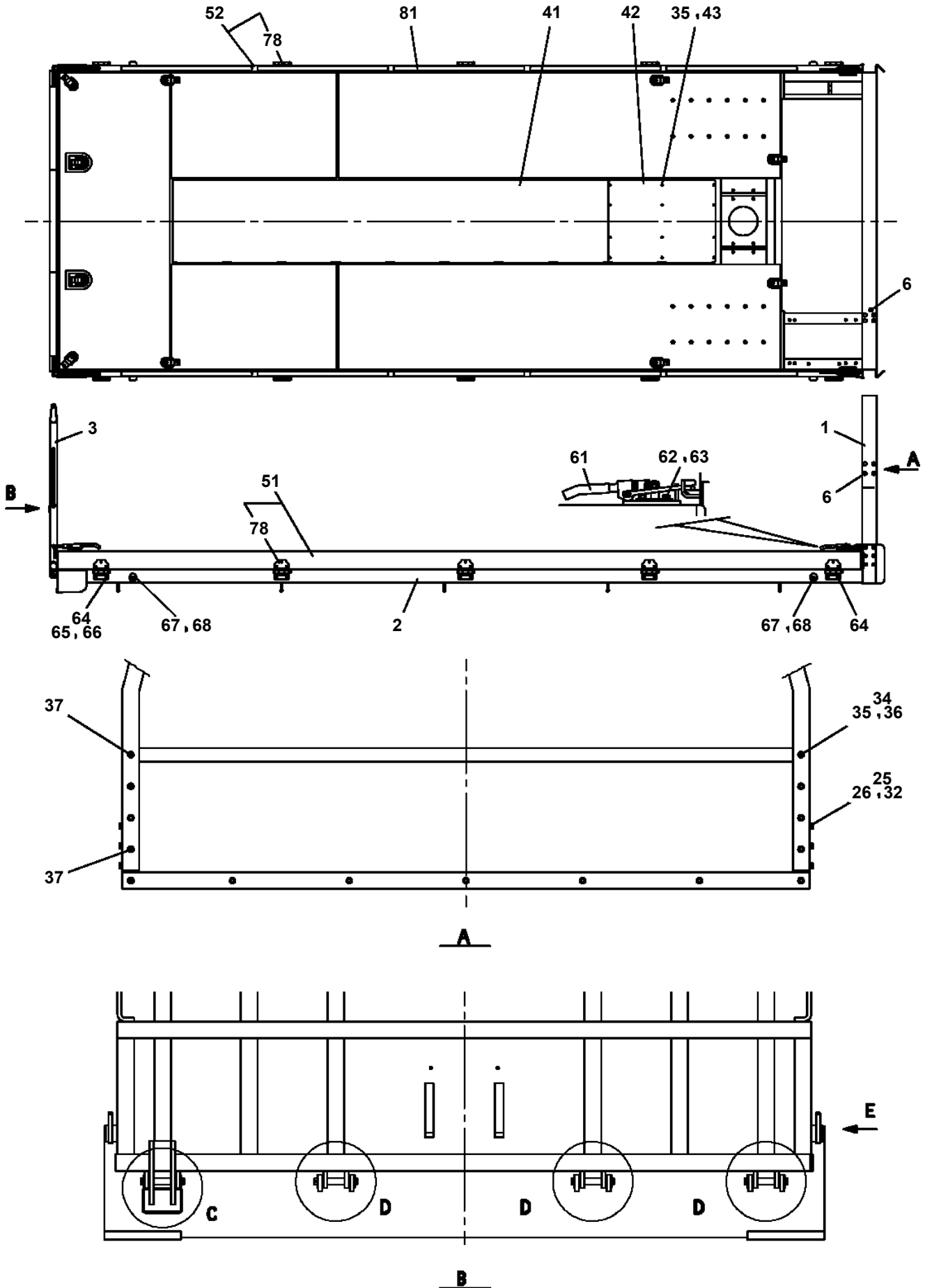
SS-27-1-00072 FOR GENERAL, WIDE CAB, WB:3.3

Pos No.	Parts No	Parts Name	Qty	Unit	Technical Data	Serial No (Start)	Serial No (End)	Remarks	Pages
100	31474851300	HARNESS	1						

SS-27-1-00072 FOR GENERAL, WIDE CAB, WB:3.3

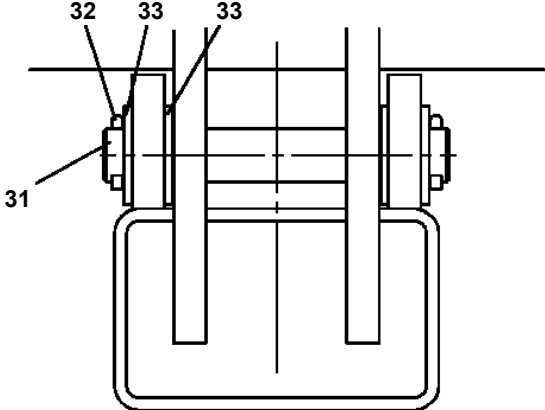
Pos No.	Parts No	Parts Name	Qty	Unit	Technical Data	Serial No (Start)	Serial No (End)	Remarks	Pages
1	31622691000	FRAME	1						
2	90171112030	BOLT	8		M12X30				
3	90302041201	WASHER,SPRING	8		12				

**SS-27-1-00072 FOR GENERAL, WIDE CAB, WB:3.3
 PK1350069-00 PLATFORM (KWL.125MM,OPTION)**

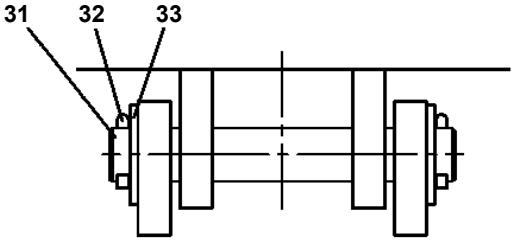


SS-27-1-00072 FOR GENERAL, WIDE CAB, WB:3.3

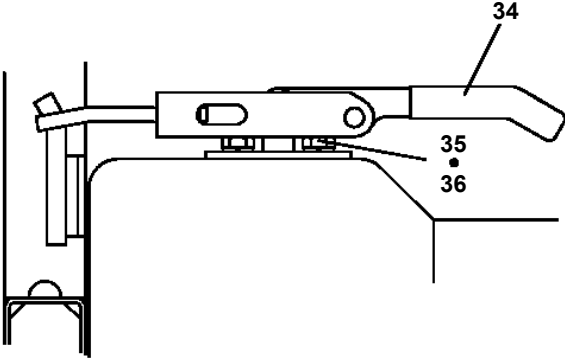
PK1350072-00 PLATFORM (WL.250MM,OPTION)



C



D

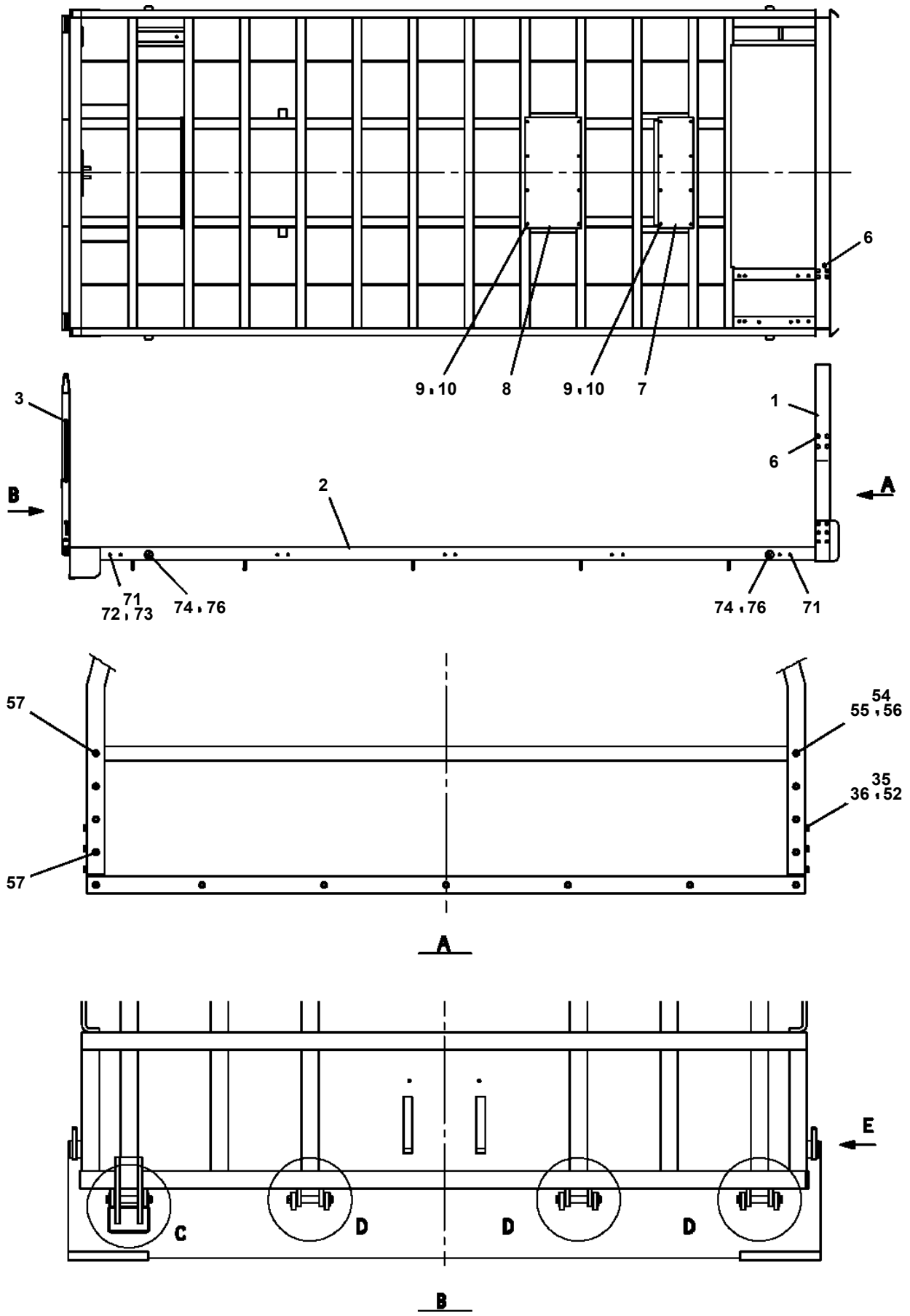


E

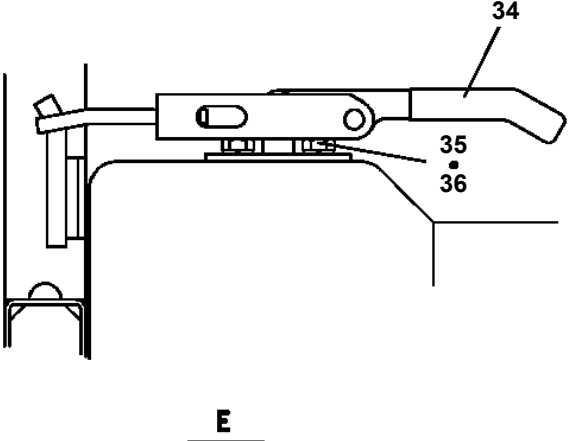
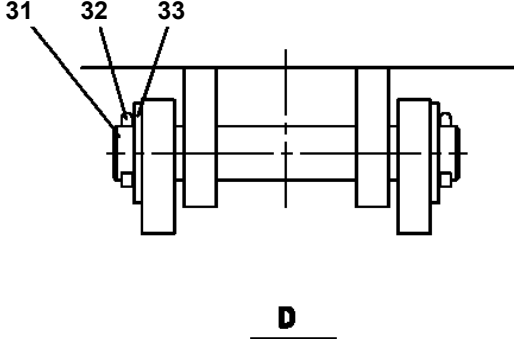
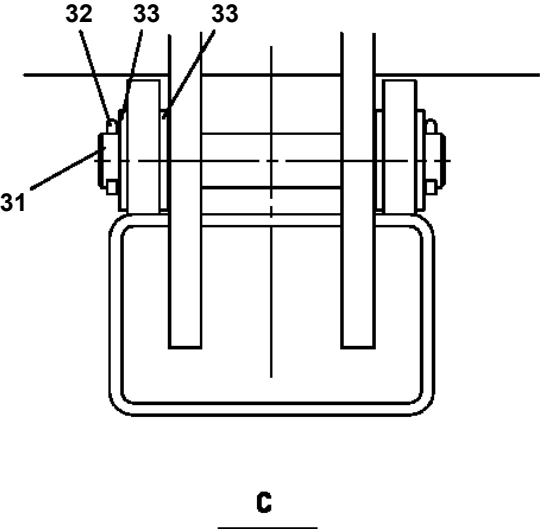
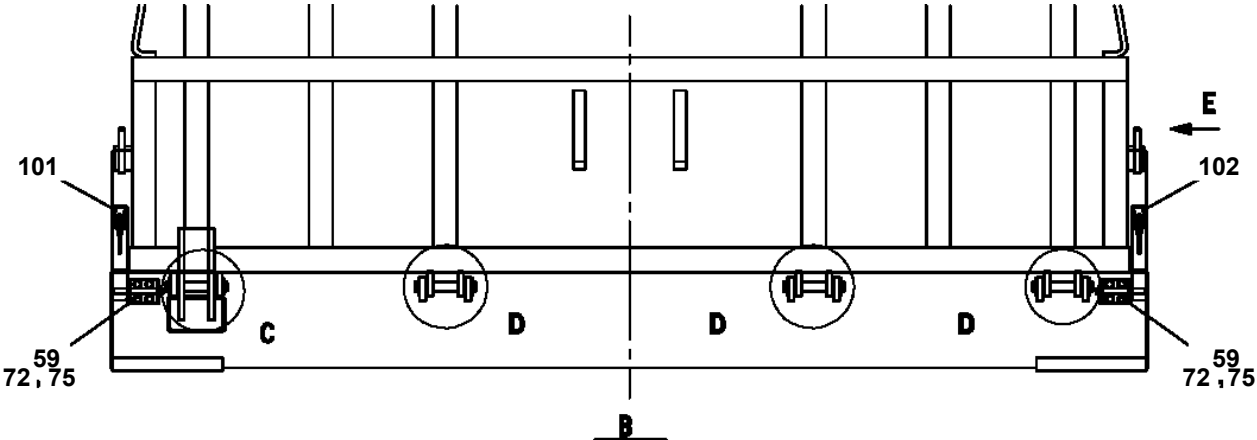
SS-27-1-00072 FOR GENERAL, WIDE CAB, WB:3.3

Pos No.	Parts No	Parts Name	Qty	Unit	Technical Data	Serial No (Start)	Serial No (End)	Remarks	Pages
1	31690520100	GUARD ASSY	1						
2	31690560300	FRAME ASSY	1						
3	(*****)	GATE	1						00011
6	82400000475	PLATE	9						
7	31690530800	COVER	2						
8	90101206012	BOLT	16		M6X12				
9	90302040601	WASHER,SPRING	16		6				
31	37000168560	PIN	4						
32	80136340040	PIN,SPLIT	8		4X40				
33	90303072001	WASHER,PLAIN	10		20				
34	31690524100	CATCH	2						
35	90101210020	BOLT	16		M10X20				
36	90302041001	WASHER,SPRING	16		10				
52	90201201000	NUT	12		M10				
54	90101206020	BOLT	15		M6X20				
55	90302040601	WASHER,SPRING	15		6				
56	31690525010	PLATE	15						
71	31690705100	FRAME ASSY	1						
72	31690705200	FRAME ASSY	1						
74	90180208020	BOLT,BUTTON	16		M8X20				
75	90303070801	WASHER,PLAIN	12		8				
76	90261000800	U-NUT	12		M8				
77	80185306040	SCREW,MACHINE	4		M6X40				
78	82400000492	INSULATOR	4						
81	31690696100	CATCH	2						
82	90101208020	BOLT	4		M8X20				
83	90302040801	WASHER,SPRING	4		8				
98	82400000483	HINGE	8						
111	31690520210	PLATE (NON-SLIP)	8						

SS-27-1-00072 FOR GENERAL, WIDE CAB, WB:3.3
PK1350080-00 PLATFORM (FOR YANMA)



**SS-27-1-00072 FOR GENERAL, WIDE CAB, WB:3.3
PK1350084-00 PLATFORM (FOR MARYAMASEISAKUSYO)**



SS-27-1-00072 FOR GENERAL, WIDE CAB, WB:3.3

Pos No.	Parts No	Parts Name	Qty	Unit	Technical Data	Serial No (Start)	Serial No (End)	Remarks	Pages
2	31690950300	FRAME ASSY	1						
3	(*****)	GATE	1						00011
6	82400000475	PLATE	9						
7	31690530800	COVER	2						
8	90101206012	BOLT	16		M6X12				
9	90302040601	WASHER,SPRING	16		6				
31	31690520100	GUARD ASSY	1						
41	37000168560	PIN	4						
42	80136340040	PIN,SPLIT	8		4X40				
43	90303072001	WASHER,PLAIN	10		20				
44	31690524100	CATCH	2						
45	90101210020	BOLT	16		M10X20				
46	90302041001	WASHER,SPRING	16		10				
62	90201201000	NUT	12		M10				
64	90101206020	BOLT	15		M6X20				
65	90302040601	WASHER,SPRING	15		6				
66	31690525010	PLATE	15						
81	31690925100	FRAME ASSY	1						
82	31690925200	FRAME ASSY	1						
91	31690696100	CATCH	2						
92	90101208020	BOLT	12		M8X20				
93	90302040801	WASHER,SPRING	12		8				
94	90180208020	BOLT,BUTTON	70		M8X20				
95	90303070801	WASHER,PLAIN	32		8				
96	90261000800	U-NUT	24		M8				
97	80185306040	SCREW,MACHINE	4		M6X40				
98	82400000492	INSULATOR	4						
99	82400000483	HINGE	14						
121	31690520210	PLATE (NON-SLIP)	8						
131	31690767200	POST ASSY (L)	1						
132	31690767300	POST ASSY (R)	1						

CLICK HERE TO **DOWNLOAD** THE COMPLETE MANUAL

- Thank you very much for reading the preview of the manual.
- You can download the complete manual from: www.heydownloads.com by clicking the link below



- Please note: If there is no response to CLICKING the link, please download this PDF first and then click on it.

CLICK HERE TO **DOWNLOAD** THE COMPLETE MANUAL

SS-27-1-00072 FOR GENERAL, WIDE CAB, WB:3.3

Pos No.	Parts No	Parts Name	Qty	Unit	Technical Data	Serial No (Start)	Serial No (End)	Remarks	Pages
1	31420031100	SUPPORT	1						000141
2	31420031201	SLIDE ASSY	1						
8	37000111920	PIN	1						
9	90303071801	WASHER,PLAIN	2		18				
10	80136332036	PIN,SPLIT	2		3.2X36				

SS-27-1-00072 FOR GENERAL, WIDE CAB, WB:3.3

Pos No.	Parts No	Parts Name	Qty	Unit	Technical Data	Serial No (Start)	Serial No (End)	Remarks	Pages
1	31474941000	GATE	1						000108
2	31420031100	SUPPORT	1						
3	31420031201	SLIDE ASSY	1						000141
4	37000111920	PIN	1						
5	90303071801	WASHER,PLAIN	2		18				
6	80136332036	PIN,SPLIT	2		3.2X36				

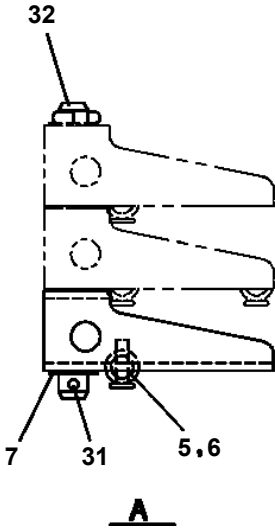
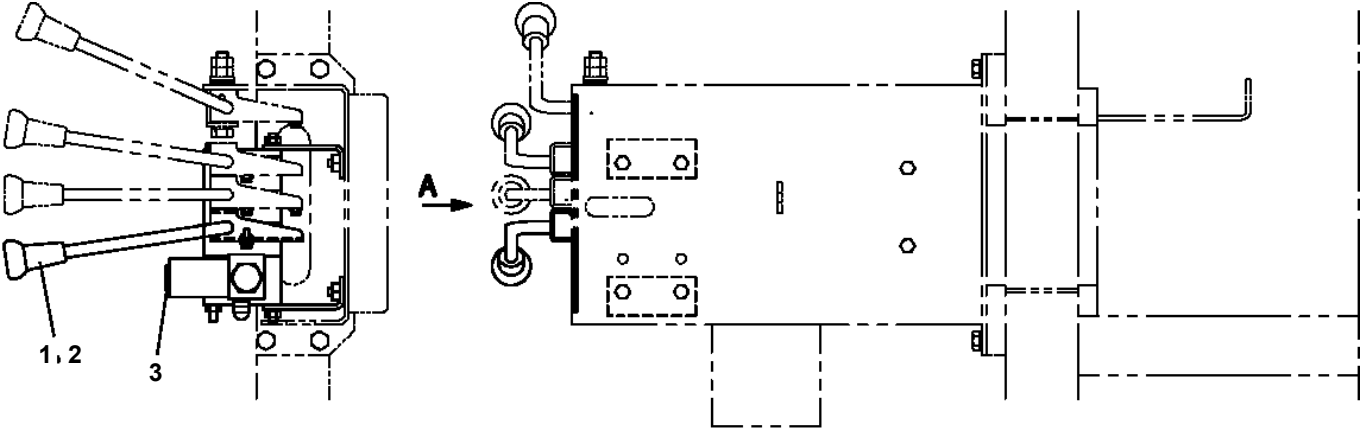
SS-27-1-00072 FOR GENERAL, WIDE CAB, WB:3.3

Pos No.	Parts No	Parts Name	Qty	Unit	Technical Data	Serial No (Start)	Serial No (End)	Remarks	Pages
1	31476571000	SUPPORT	1						
2	31476572000	SUPPORT	1						
3	31474500010	PLATE	2						
4	31474500020	PLATE	6						
5	90101208016	BOLT	4		M8X16				
6	90302040801	WASHER, SPRING	4		8				
7	90303070801	WASHER, PLAIN	4		8				
8	31474500030	PIN ASSY	2						

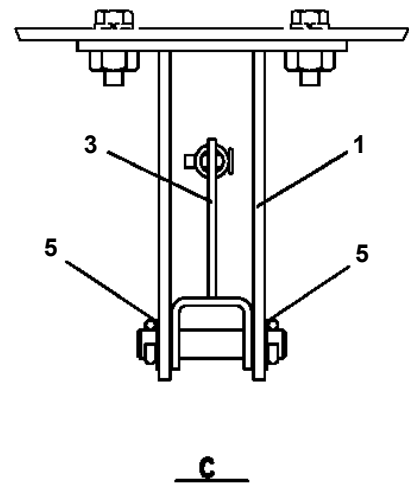
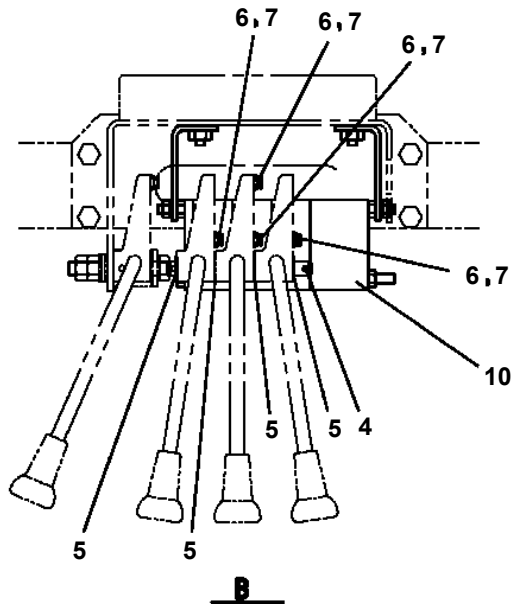
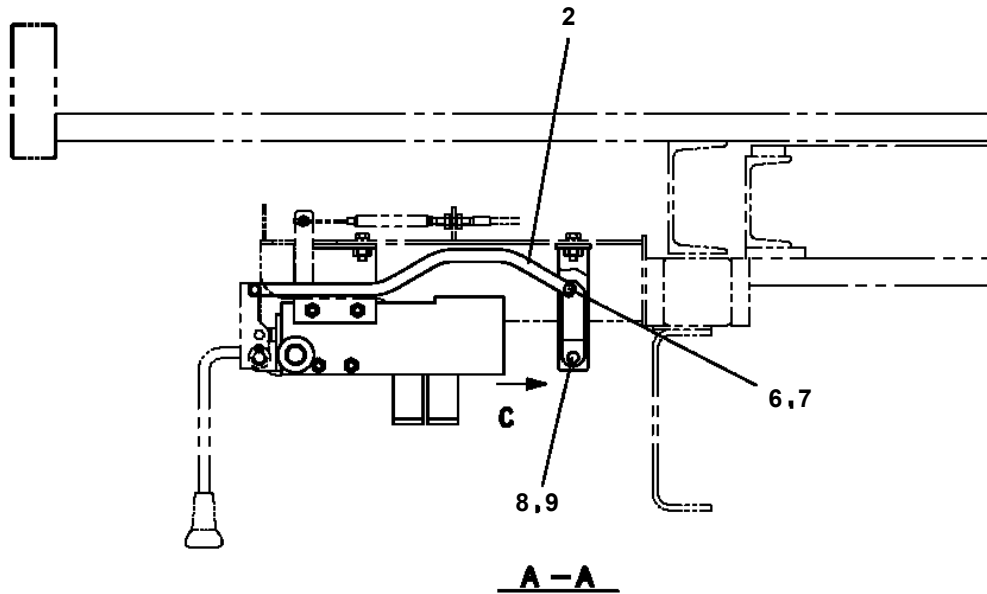
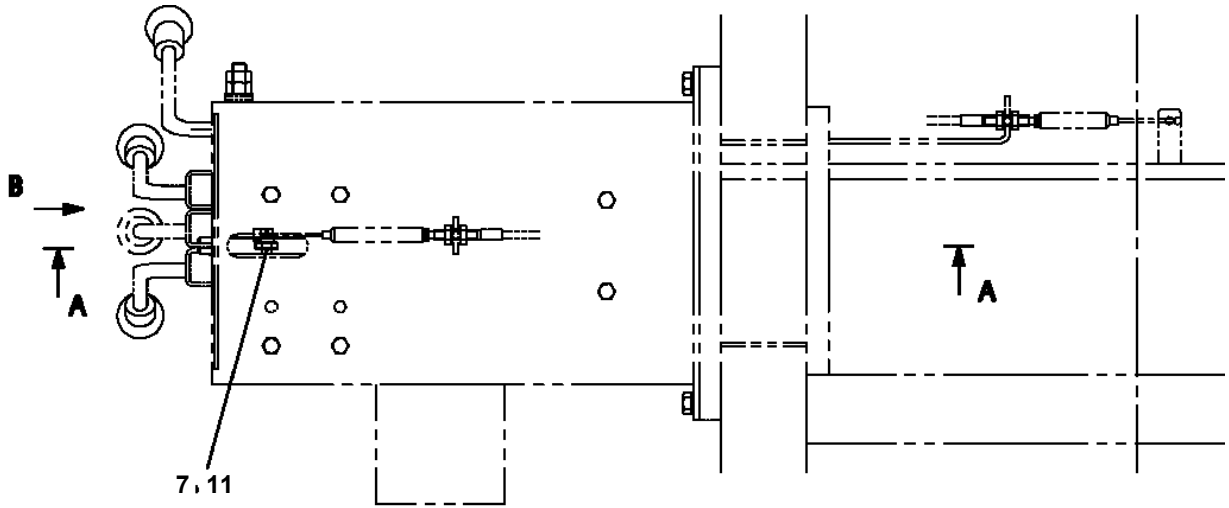
SS-27-1-00072 FOR GENERAL, WIDE CAB, WB:3.3

Pos No.	Parts No	Parts Name	Qty	Unit	Technical Data	Serial No (Start)	Serial No (End)	Remarks	Pages
6	31690521940	HINGE	6						
8	31420143400	HINGE ASSY	1						
30	31474941000	GATE	1						

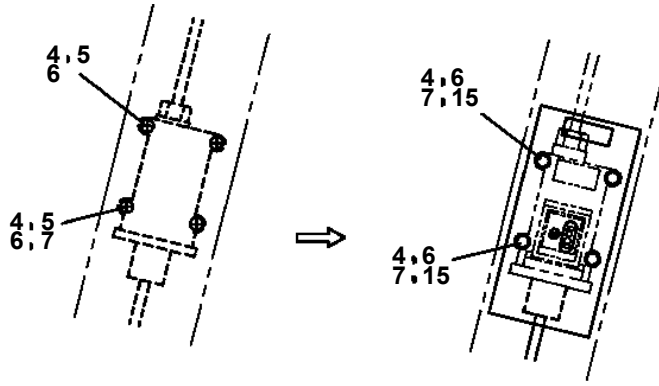
**SS-27-1-00072 FOR GENERAL, WIDE CAB, WB:3.3
PL1010682-00 OPERATION SYSTEM, CONTROL VALVE**



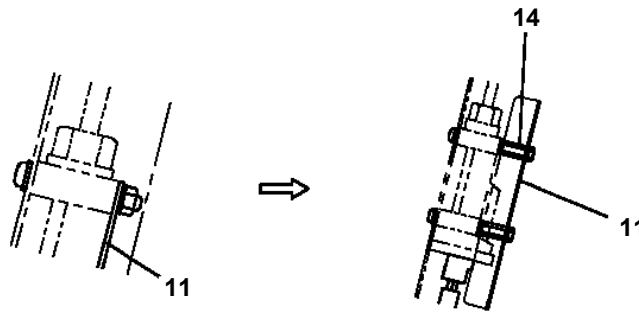
SS-27-1-00072 FOR GENERAL, WIDE CAB, WB:3.3
PL1010774-00 OPE.ASSY,CONT.VALVE (AG)



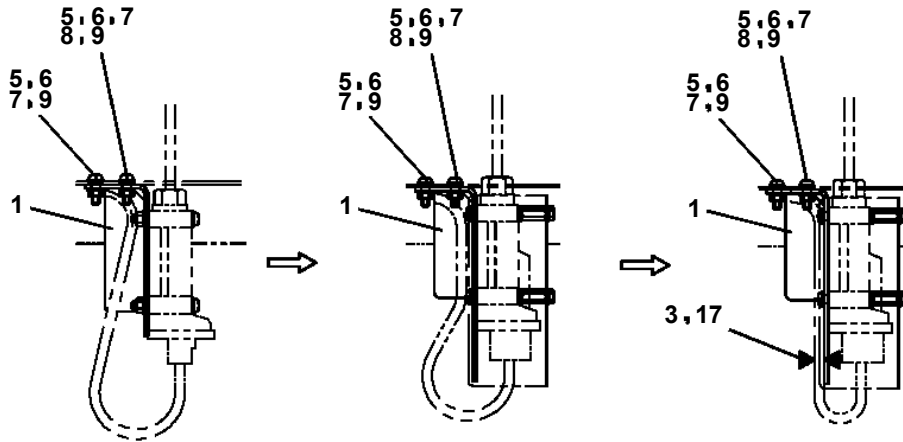
**SS-27-1-00072 FOR GENERAL, WIDE CAB, WB:3.3
PN1011737-02 ELEC.ASSY (RADIO CONTROL)**



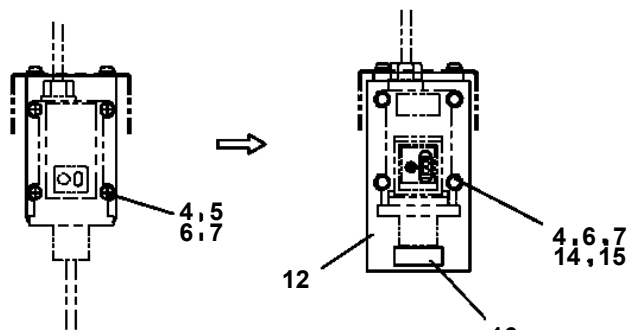
A



B

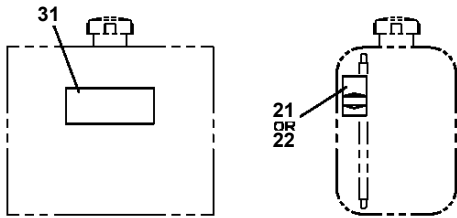
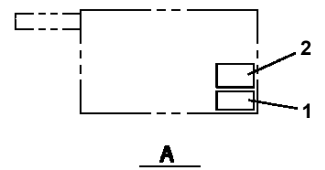
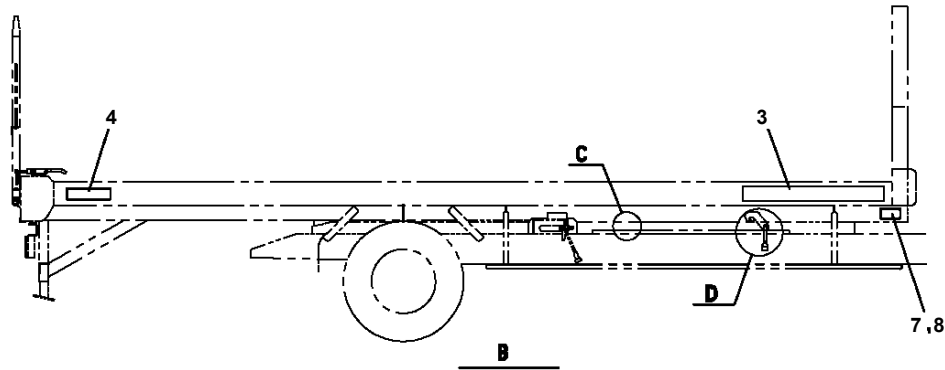
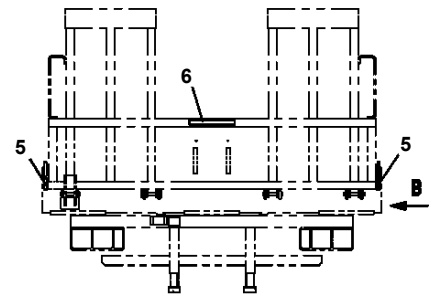
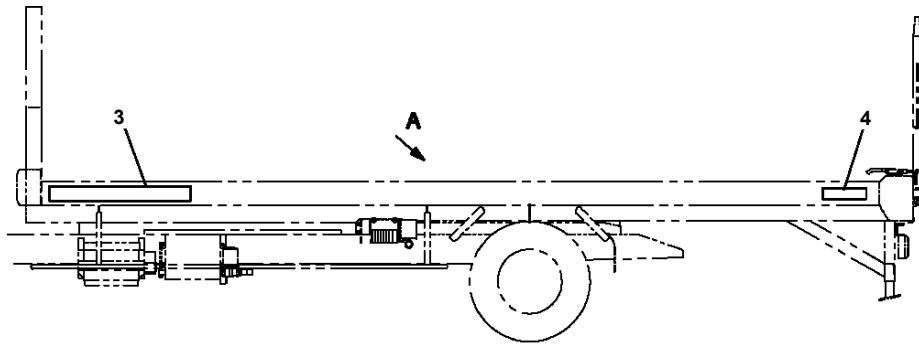


C

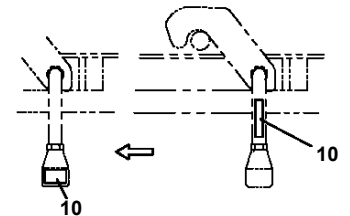
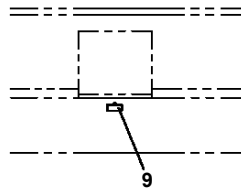


D

**SS-27-1-00072 FOR GENERAL, WIDE CAB, WB:3.3
PO1012124-01 PLATE, INDICATION**



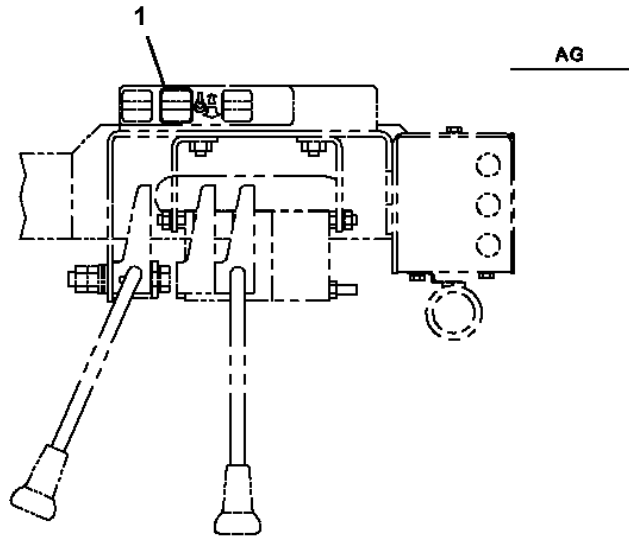
**EXCEPT COMBINED
MOUNTING SPECIFICATIONS**



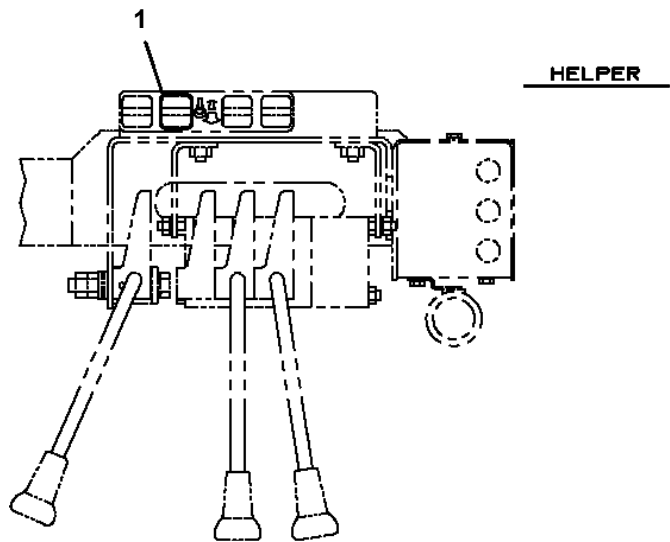
C

D

**SS-27-1-00072 FOR GENERAL, WIDE CAB, WB:3.3
PO1012132-00 PLATE, INDICATION**

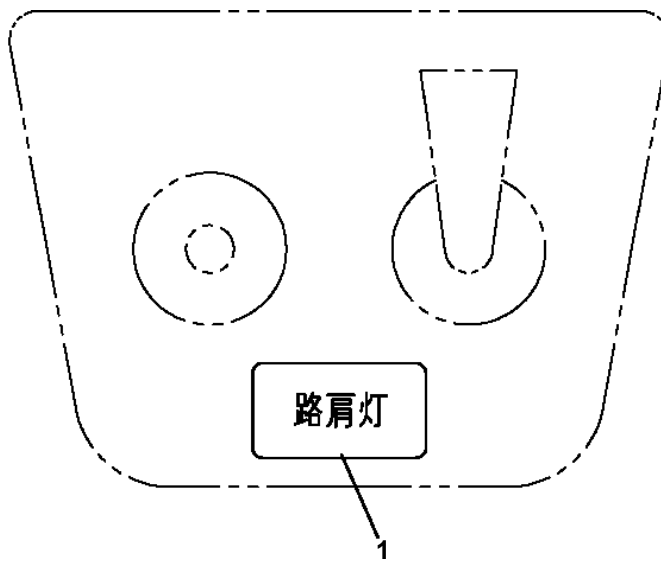


LEFT LEVER



RIGHT LEVER

SS-27-1-00072 FOR GENERAL, WIDE CAB, WB:3.3
PO1012876-01 NAME PLATE ASSY (REAR WHEEL LAMP)

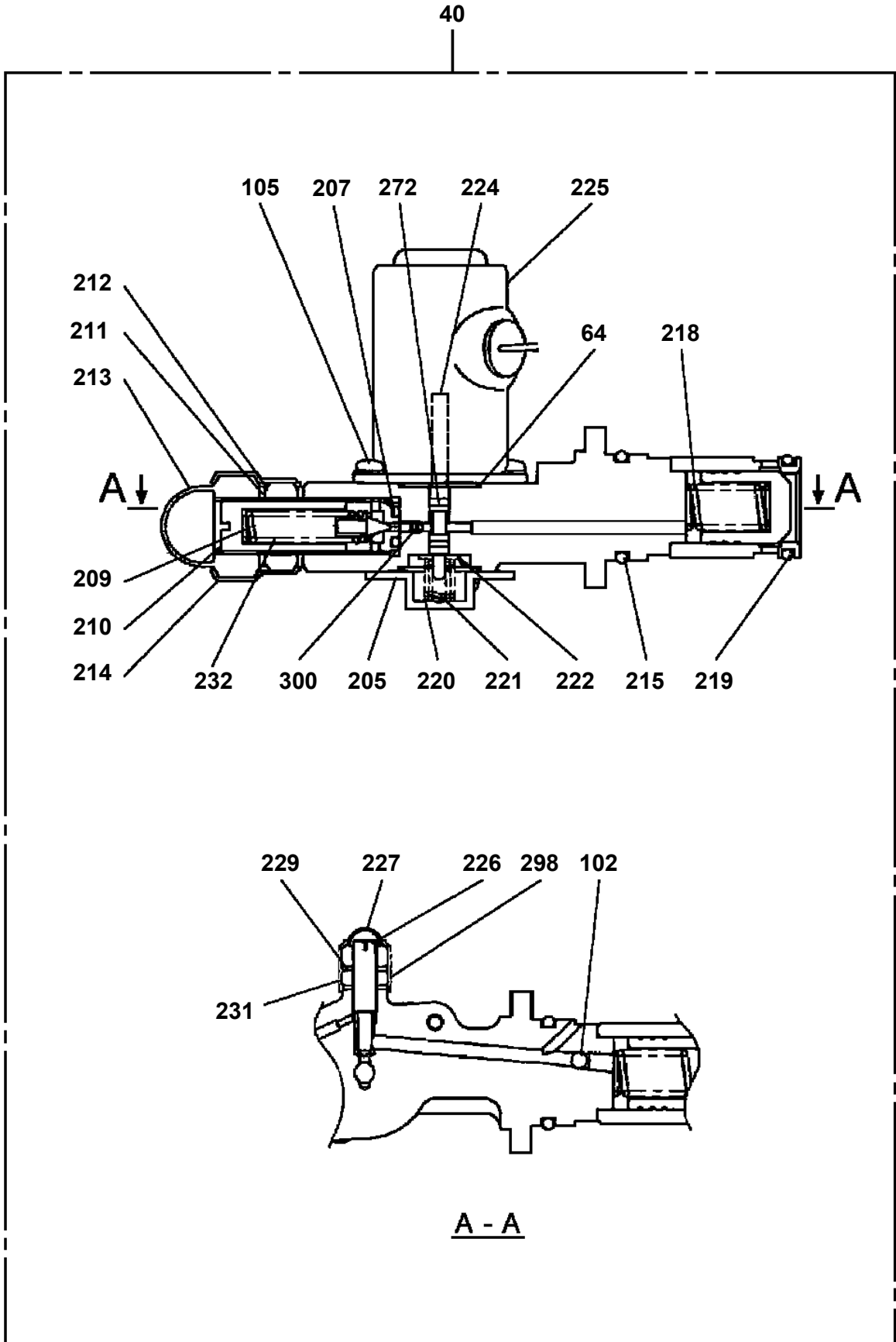


路肩灯スイッチ付近

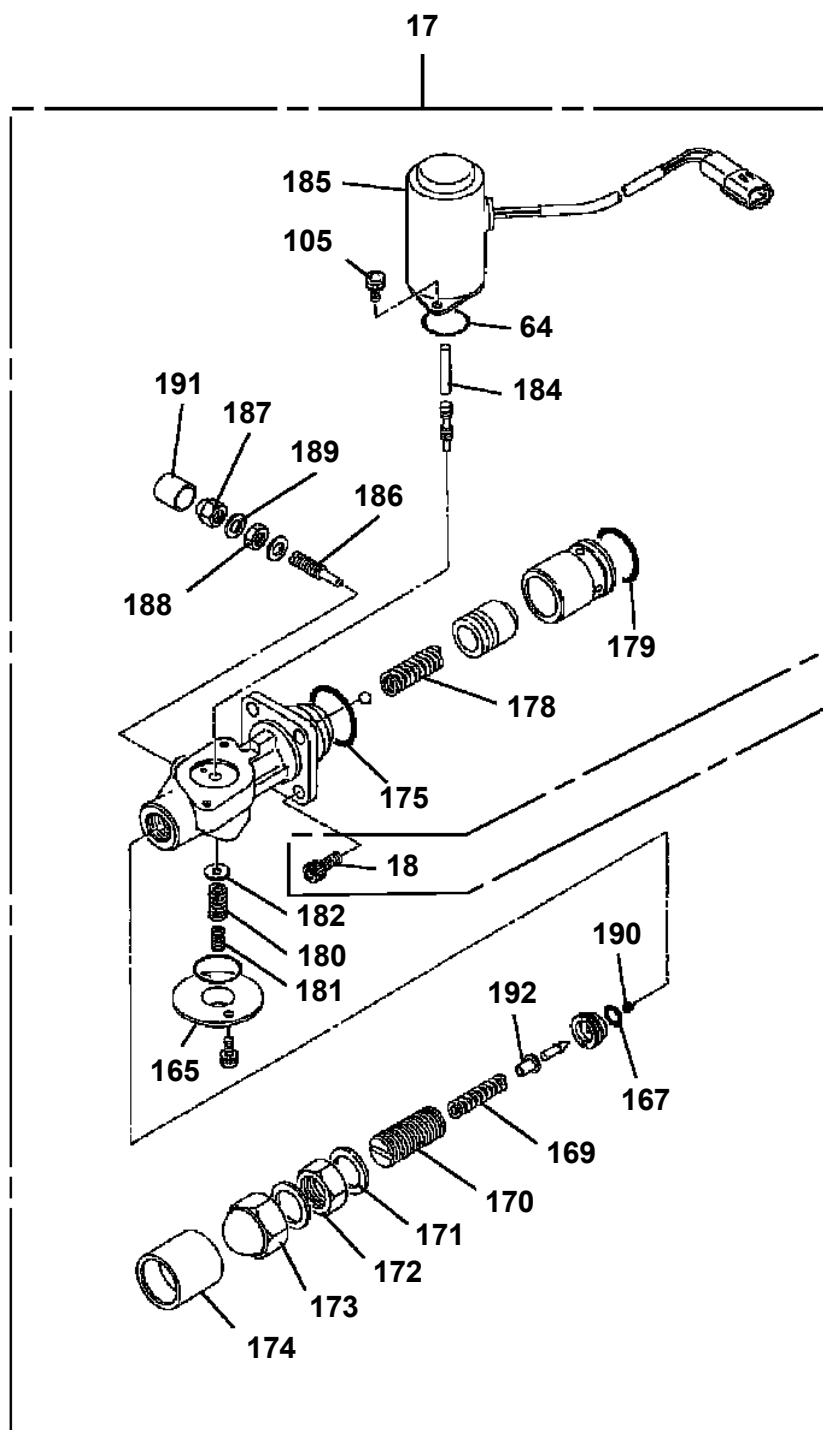
**SS-27-1-00072 FOR GENERAL, WIDE CAB, WB:3.3
PS5380002-00 STOPPER (PLASTIC)**

指示番号 KEY NO.	ストツパ* (ジ ユシセイ) STOPPER (PLASTIC)
1	ストツパ* (シマコウハンヨウ) STOPPER (FOR CHECKER PLATE)
2	ストツパ* (E.P.M.ヨウ) STOPPER (FOR E.P.M.)

SS-27-1-00072 FOR GENERAL, WIDE CAB, WB:3.3
PV1020120-05 VALVE, REMOTE CONTROL (AG-TYPE, OPTION)



**SS-27-1-00072 FOR GENERAL, WIDE CAB, WB:3.3
PV1020126-03 VALVE,REMOTE CONTROL**



SS-27-1-00072 FOR GENERAL, WIDE CAB, WB:3.3

Pos No.	Parts No	Parts Name	Qty	Unit	Technical Data	Serial No (Start)	Serial No (End)
1	36804990000	RADIO CONTROL (6CH)	1				
	36806500000	PARTS ASSY,RADIO CONTROLLER (8CH)	1			UG0543	UG0542
	36806500001	PARTS ASSY,RADIO CONTROLLER (8CH)	1			UG2312	UG2311
2	(*****)	MOUNT (RADIO CONTROL)	1				
4	31480030010	PLATE ASSY,NAME	1				

SS-27-1-00072 FOR GENERAL, WIDE CAB, WB:3.3

Pos No.	Parts No	Parts Name	Qty	Unit	Technical Data	Serial No (Start)	Serial No (End)	Remarks	Pages
1	36102230000	TANK,OIL	1						000010
2	90101210030	BOLT	4		M10X30				
3	90201201000	NUT	4		M10				
4	90302041001	WASHER,SPRING	4		10				

SS-27-1-00072 FOR GENERAL, WIDE CAB, WB:3.3

Pos No.	Parts No	Parts Name	Qty	Unit	Technical Data	Serial No (Start)	Serial No
1	31380300000	MOUNT,STOPPER (FOR CHECKER PLATE)	1		H=130,P=250		

SS-27-1-00072 FOR GENERAL, WIDE CAB, WB:3.3

Pos No.	Parts No	Parts Name	Qty	Unit	Technical Data	Serial No (Start)	Serial No (End)	Rem
1	31380450000	MOUNT,STOPPER (FOR E.P.M.)	1		H=100,P=300			

SS-27-1-00072 FOR GENERAL, WIDE CAB, WB:3.3

Pos No.	Parts No	Parts Name	Qty	Unit	Technical Data	Serial No (Start)	Serial No (End)	Rem
1	31380510000	MOUNT,STOPPER (FOR E.P.M.)	1		H=60,P=300			

SS-27-1-00072 FOR GENERAL, WIDE CAB, WB:3.3

Pos No.	Parts No	Parts Name	Qty	Unit	Technical Data	Serial No (Start)	Serial No (End)	Remarks	Pages
1	31474385100	COVER	1						
2	90171112025	BOLT	4		M12X25				
3	90201401200	NUT	4		M12				
4	90302041201	WASHER, SPRING	4		12				
5	90303071201	WASHER, PLAIN	4		12				

SS-27-1-00072 FOR GENERAL, WIDE CAB, WB:3.3

Pos No.	Parts No	Parts Name	Qty	Unit	Technical Data	Serial No (Start)	Serial No (End)	Re
1	82199444226	LAMP	2				UA4059	
	82199444326	LAMP (YELLOW) <24V 12W)	2			UA4060	UG0854	
	82199444329	LAMP (YELLOW)	2		24V 12W	UG0855		
2	31474861300	HARNES	2					
3	82100000192	TERMINAL	2					
4	82100000182	INSULATOR	2					
5	90101208020	BOLT	4		M8X20			
6	90302040801	WASHER,SPRING	16		8			
7	90303070801	WASHER,PLAIN	4		8			
8	90201200800	NUT	12		M8			
9	(*****)	MOUNT ASSY	1					
10	82199404070	SUPPORT	2					
11	82100002007	CLAMP	12		WRC10			
14	(*****)	MODIFICATION PARTS (OPTION)	1					
51	82166136411	BULB,LAMP	2		24V/12W		UG0854	
	82166600010	BULB,LAMP	2		24V/12W	UG0855		

SS-27-1-00072 FOR GENERAL, WIDE CAB, WB:3.3

Pos No.	Parts No	Parts Name	Qty	Unit	Technical Data	Serial No (Start)	Serial No (End)	Remarks	Pages
1	31474852101	SUPPORT	1						
2	90101208020	BOLT	4		M8X20				

CLICK HERE TO **DOWNLOAD** THE COMPLETE MANUAL

- Thank you very much for reading the preview of the manual.
- You can download the complete manual from: www.heydownloads.com by clicking the link below



- Please note: If there is no response to CLICKING the link, please download this PDF first and then click on it.

CLICK HERE TO **DOWNLOAD** THE COMPLETE MANUAL