

OC-200M-1-00004 UPPER

PD2000058-00 SWING UNIT

PG2000066-00 BOOM UNIT

PH1000511-00 SAFETY DEVICES

PK2000228-00 FRAME UNIT

PL1000554-00 CONTROL DEVICES

PO1000123-00 INDICATION PLATES

PY1000665-02 OPTIONS

ASSEMBLY

CLICK HERE TO **DOWNLOAD** THE COMPLETE MANUAL

- Thank you very much for reading the preview of the manual.
- You can download the complete manual from: www.heydownloads.com by clicking the link below



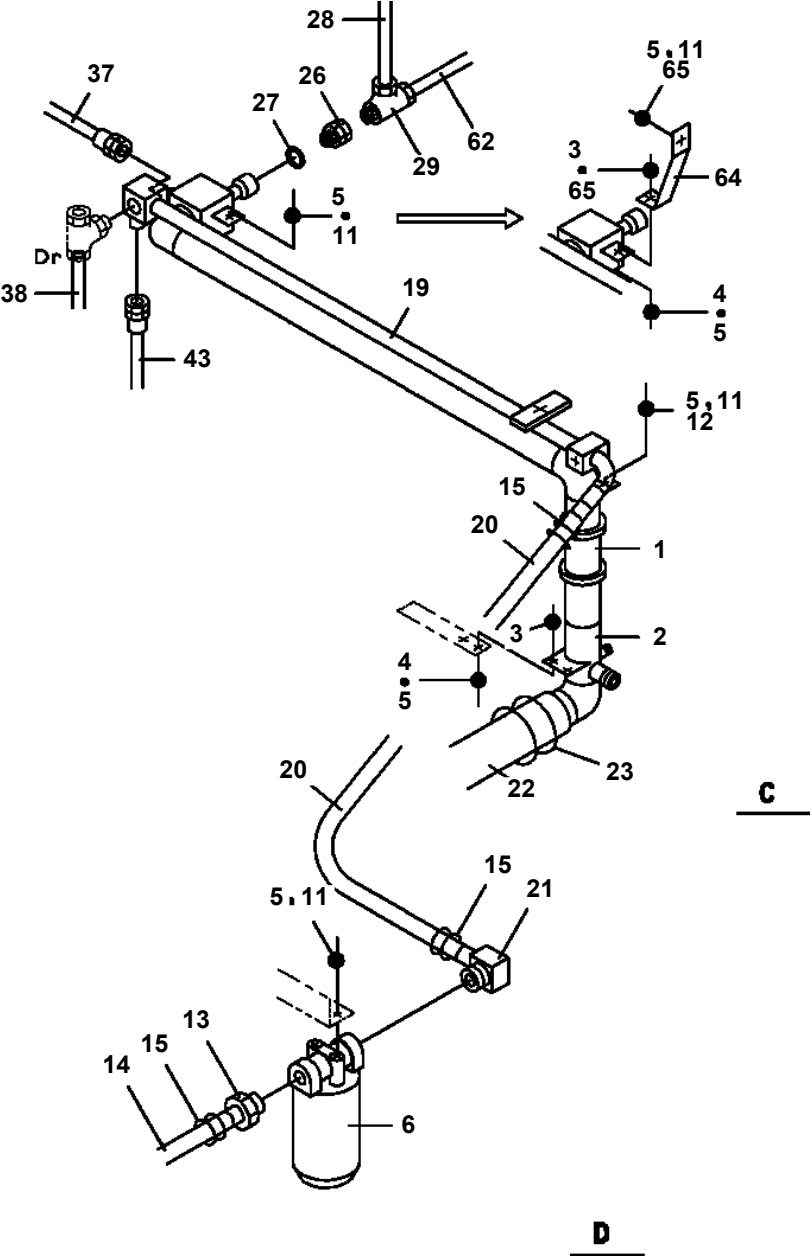
- Please note: If there is no response to CLICKING the link, please download this PDF first and then click on it.

CLICK HERE TO **DOWNLOAD** THE COMPLETE MANUAL

OC-200M-1-00004 UPPER

Pos No.	Parts No	Parts Name	Qty	Unit	Technical Data	Serial No (Start)	Serial No (End)	Re
1	(***** *****)	OPE.ASSY,CONT.VALVE (TADANO)	1					
	(***** *****)	OPE.ASSY,CONT.VALVE (ISO)	1					

**OC-200M-1-00004 UPPER
PB1260221-00 PIPING,RETURN**



OC-200M-1-00004 UPPER

Pos No.	Parts No	Parts Name	Qty	Unit	Technical Data	Serial No (Start)	Serial No (End)
1	36633415070	BODY,VALVE	1				
2	36632775010	BODY	1				
3	12515102090	BOLT,STUD	4				
4	36633415010	VALVE,CONTROL	4				
5	36634185030	VALVE,CONTROL	1				
6	90201200800	NUT	8		M8		
7	36631595010	VALVE,RELIEF	1				
8	12435101160	RETAINER (VALVE)	4				
9	91002801400	O-RING	4		1B P14		
10	36632775040	VALVE,CHECK	1				
11	36633415040	VALVE,CONTROL	1				
12	36634185050	VALVE,RELIEF	1				
23	91002905500	O-RING	8		1B G55		
24	56051331100	SEAL,OIL	12				
25	12435101180	RETAINER (SEAL)	11				
26	13115102010	RETAINER (SEAL)	10				
27	56051331120	COVER	5				
28	90131506015	BOLT,HEXAGON SOCKET	12		M6X15		
29	56051331150	END,SPOOL	5				
30	13115102030	CASE (BALL)	5				
31	13115102040	SPRING	5				
32	80560005000	BALL,STEEL	10		5		
33	56051331130	RETAINER (BALL)	5				
34	36630965150	COVER (SPRING)	6				
35	90131506025	BOLT,HEXAGON SOCKET	10		M6X25		
43	13115102080	PLUG	1				
44	91001100300	O-RING	1		1A P3		
47	91002801100	O-RING	1		1B P11		
49	36632575040	COVER	1				
51	36633415080	SCREW,SET (HEXAGON SOCKET)	1				
52	36630045140	SPRING	1				
53	12435101170	RETAINER (SPRING)	2				
54	12415101130	SPACER	1				
55	12415101140	NUT	1				
57	90131506020	BOLT,HEXAGON SOCKET	2		M6X20		
58	12435101160	RETAINER (VALVE)	5				
59	91002801400	O-RING	5		1B P14		
63	36630045190	SPRING	1				
64	91000501500	O-RING	1		AS568-015		
65	91002802200	O-RING	1		1B P22		
66	91002801001	O-RING	1		1B P10A		
70	16025153020	SPRING	1				
71	36630045200	SCREW (ADJUSTING)	1		M10X25		
72	36630295130	NUT,CAP	1				
73	36630045220	NUT	1		M10		
74	91001001600	O-RING	3		1A S16		
78	36630755020	STOPPER	1				
84	36632775070	SPRING	1				
86	36630965130	SPRING	1				
93	36634185070	SPRING	1				
97	91002801800	O-RING	1		1B P18		
98	19215101010	O-RING	1				
100	36634180000	VALVE,MANUAL CONTROL (OUTRIGGER,F/J)	1				

OC-200M-1-00004 UPPER

Pos No.	Parts No	Parts Name	Qty	Unit	Technical Data	Serial No (Start)	Serial No (End)	F
258	36636695060	ORIFICE	2					
271	36636695100	BODY ASSY	1					
281	36636695120	POPPET	1					
291	36645665140	EXPANDER	8					
301	36636695150	BODY ASSY	1					
314	36634675070	RETAINER	3					
315	36634675080	BALL,STEEL	3		4			
321	36632685430	ORIFICE	2		M4X4 0.5			
346	19491046020	PLUG	3		NPTF1/16			
354	36636695180	PLUNGER	1					
359	36632685420	ORIFICE	2		M5X5 0.5			
361	80316030040	PLUG	1		PT1/4			
371	36636695250	BLOCK,VALVE	1					
403	36632465210	PACKING	4					
411	36640015030	PLUG	1		1/4			
412	36632465550	END,SPOOL	1					
413	91002801100	O-RING	1		1B P11			
414	90131508095	BOLT,HEXAGON SOCKET	2		M8X95			
415	36632465580	BODY ASSY	1					
416	36632465570	PLATE ASSY	1					
421	36648015060	VALVE,RELIEF	1					
422	36648015070	BODY ASSY	1					
450	36636690001	VALVE,MANUAL CONTROL	1					

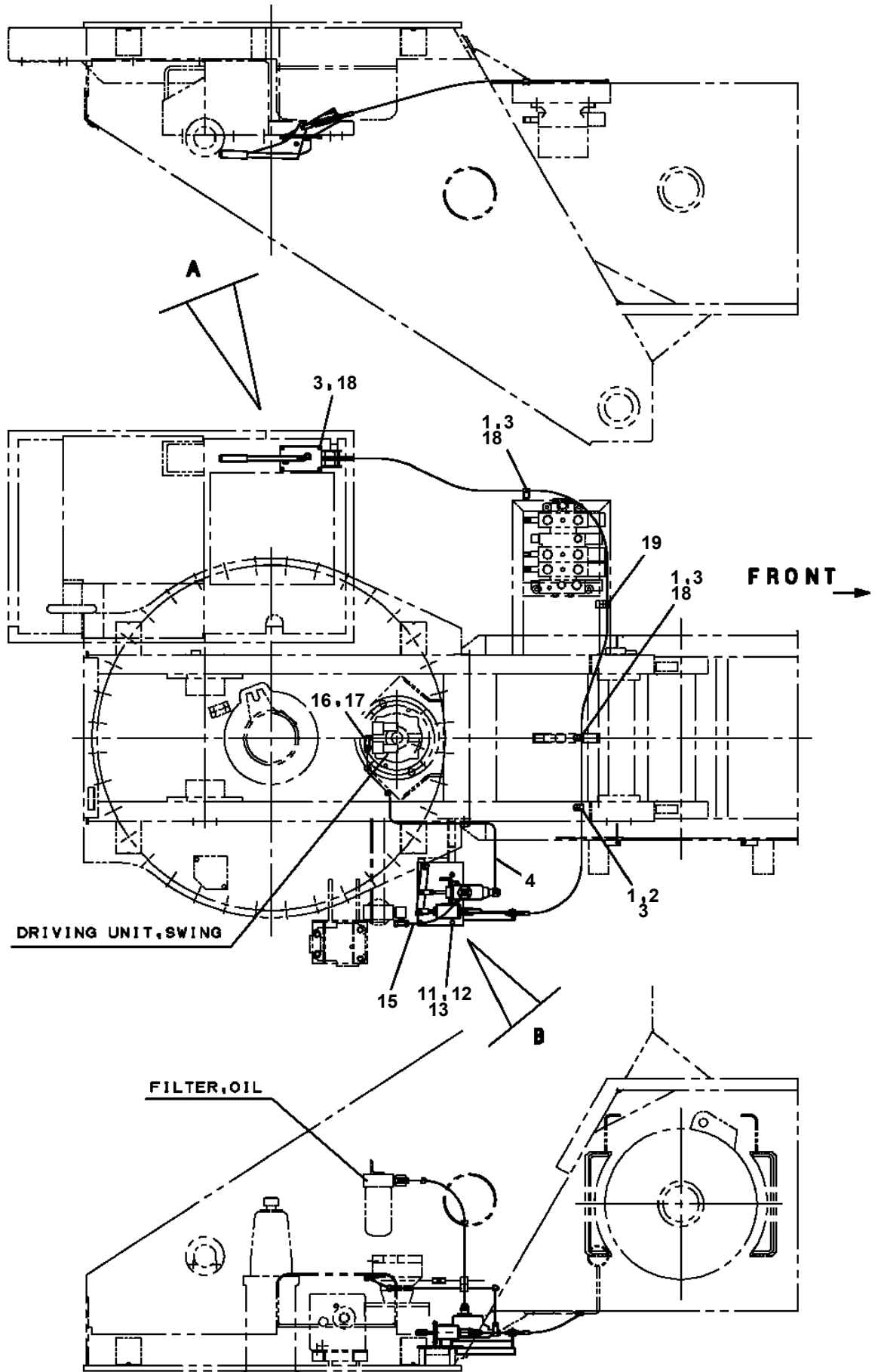
OC-200M-1-00004 UPPER

Pos No.	Parts No	Parts Name	Qty	Unit	Technical Data	Serial No (Start)	Serial No (End)	Re
1	36042501000	CYLINDER	1					
2	90201201800	NUT	1		M18			
3	91100105000	RING,SEAL	1					
4	36040090020	PISTON	1				325599	
	36040090021	PISTON	1			325600		
5	36042502000	ROD	1				325599	
	36042502001	ROD	1			325600		
6	36041783000	COVER,ROD	1					
7	91002905000	O-RING	1		1B G50			
8	91694003500	PACKING	1					
9	91410203501	RING,BACKUP	1					
10	91660003501	SEAL,DUST	1					
11	91002801600	O-RING	1		1B P16	325600		
30	36042479900	PACKING SET	1		35X50		325599	
31	36043589900	PACKING SET	1		35X50	325600		
50	36042500000	CYLINDER,EXTENSION (FRONT)	1					

OC-200M-1-00004 UPPER

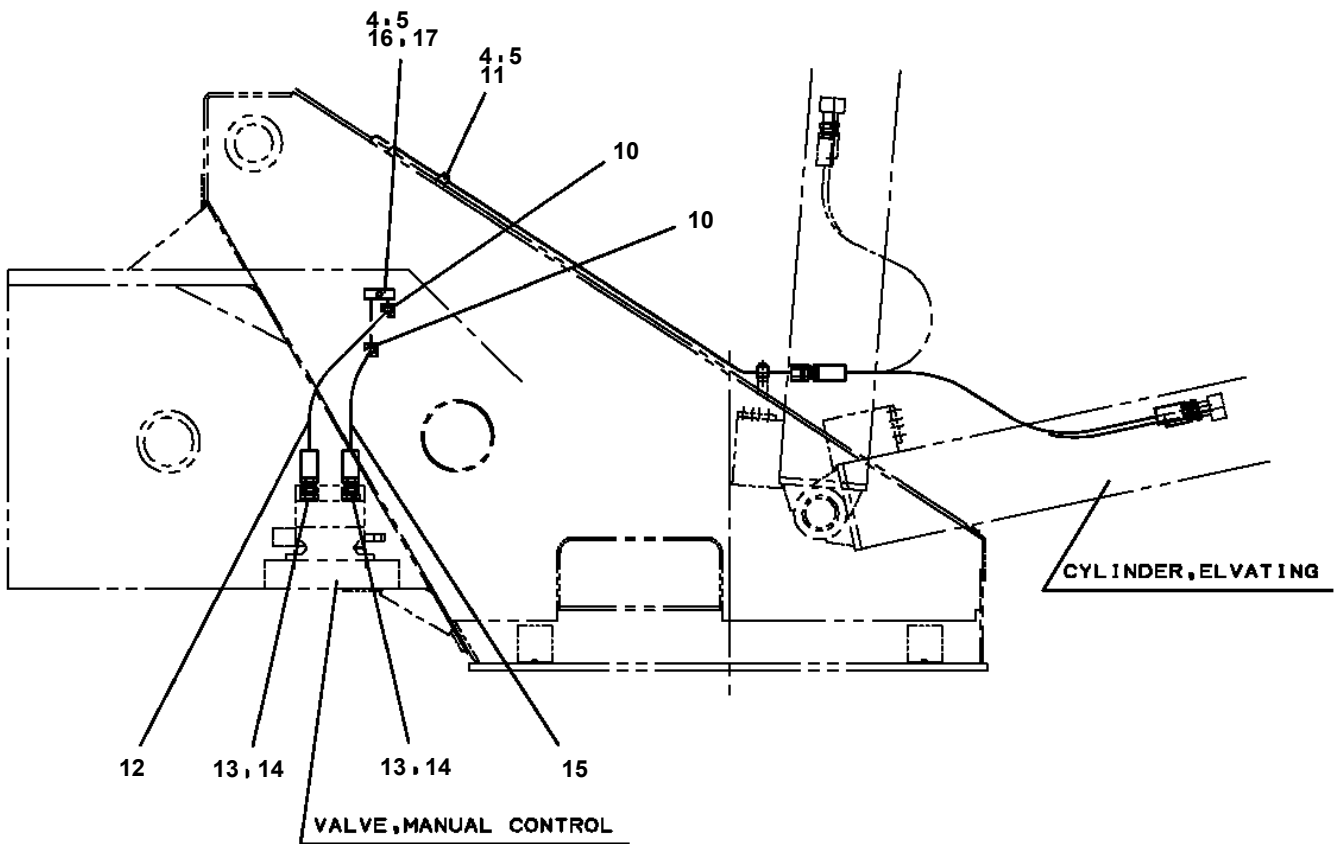
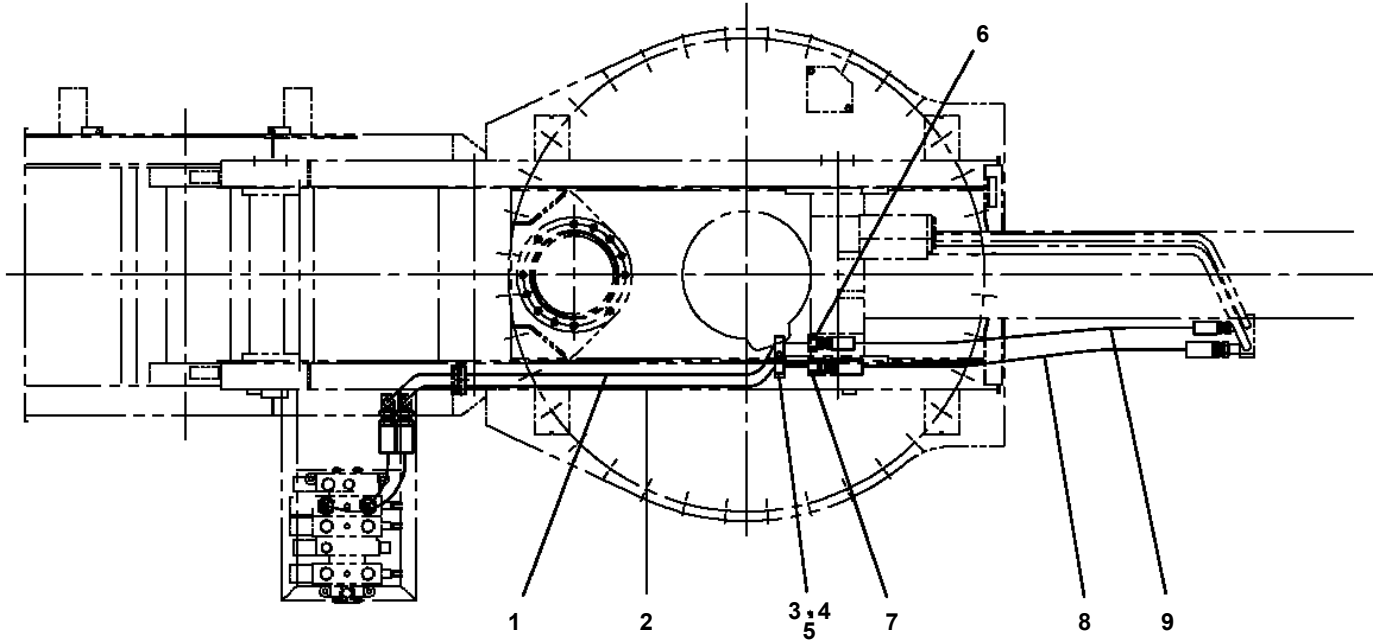
Pos No.	Parts No	Parts Name	Qty	Unit	Technical Data	Serial No (Start)	Serial No (End)
1	36042480000	CYLINDER,EXTENSION (REAR,LEFT)	1				
2	32610852100	HARNESS	1				
3	37002420870	HOSE,TWIN	1		L=2500		
4	91810130250	FASTENER	16				
50	32610864000	CYLINDER,EXTENSION (REAR)	1				

**OC-200M-1-00004 UPPER
PD1100046-00 OPERATION SYSTEM, SWING BRAKE**

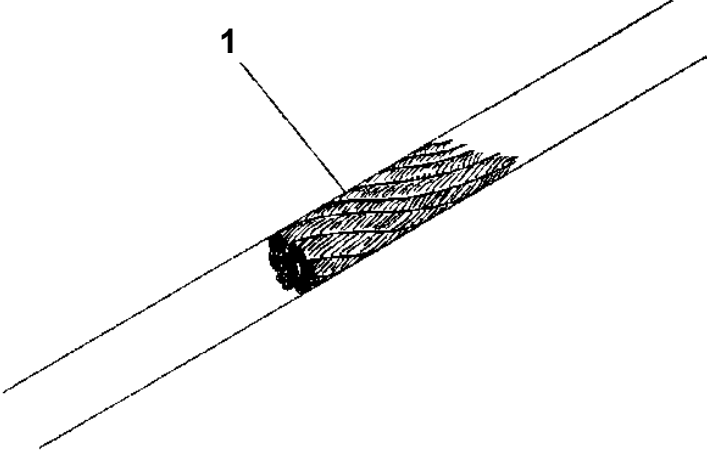


OC-200M-1-00004 UPPER
PE1200098-00 PIPING,ELEVATING

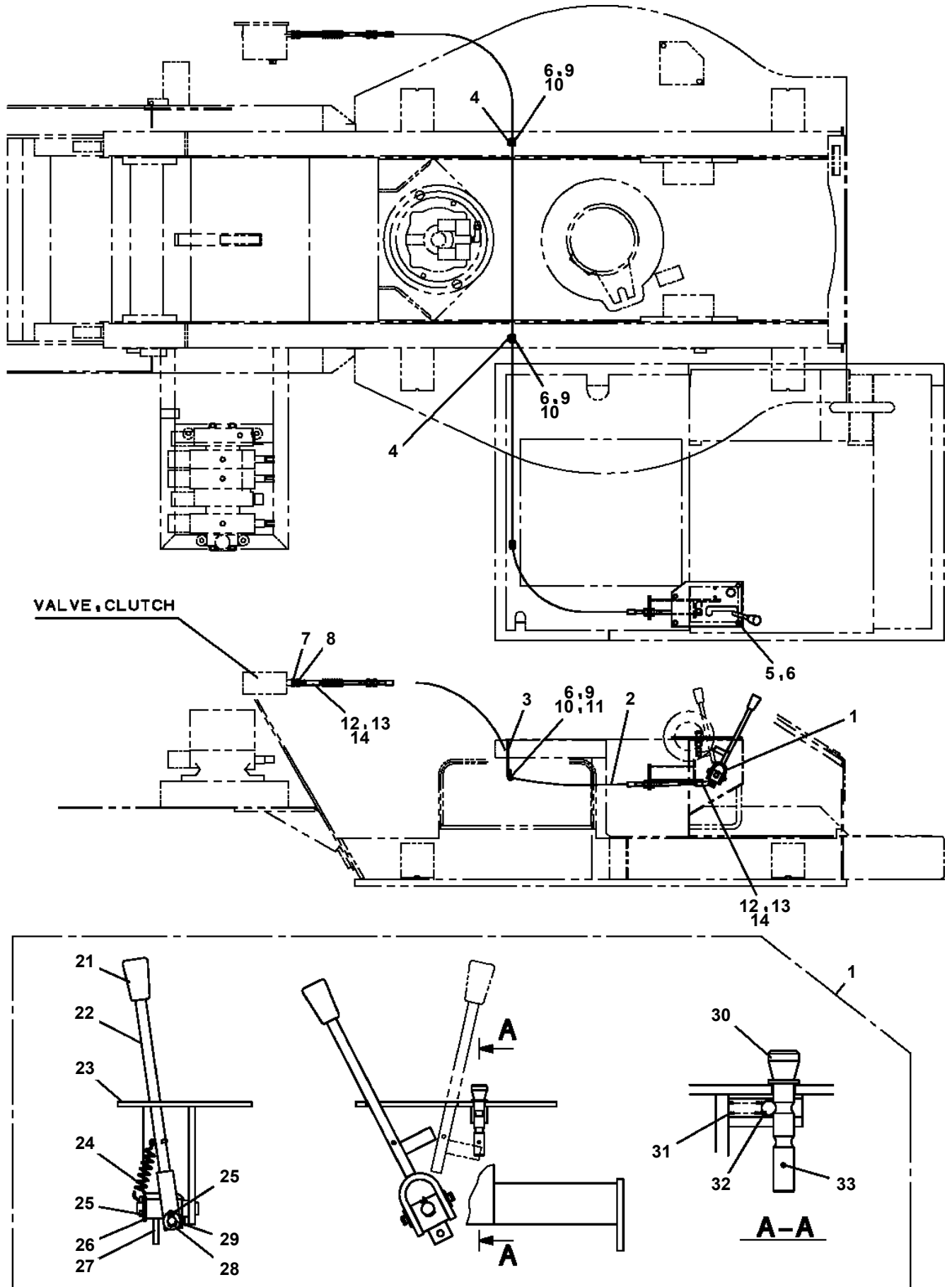
FRONT ←



**OC-200M-1-00004 UPPER
PF1070005-00 ROPE, WIRE**



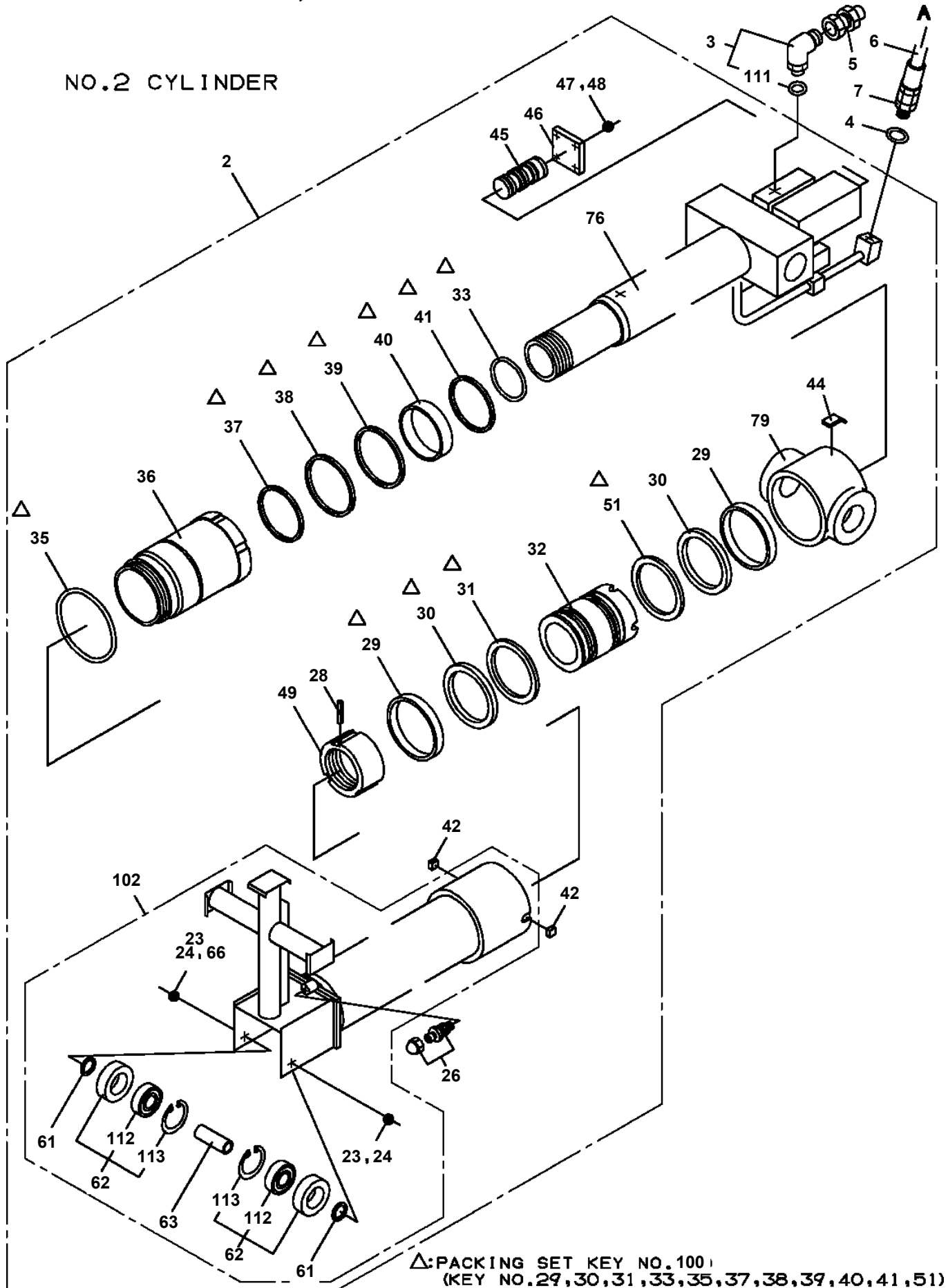
**OC-200M-1-00004 UPPER
PF1160064-01 OPERATION SYSTEM, CLUTCH**



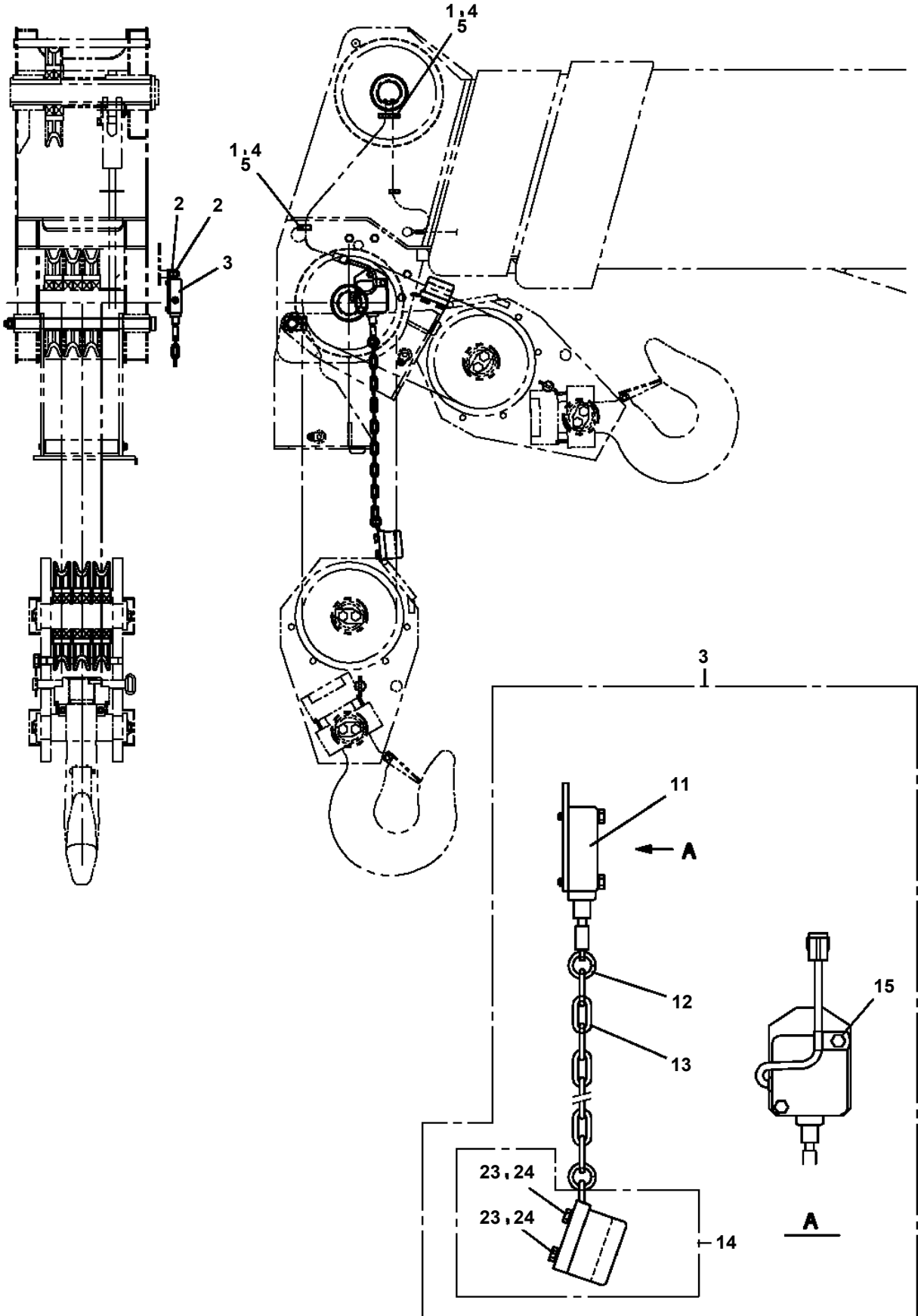
OC-200M-1-00004 UPPER

Pos No.	Parts No	Parts Name	Qty	Unit	Technical Data	Serial No (Start)	Serial No (End)	Remarks	P
1	36672739510	JOINT,WINCH ROTARY	1						

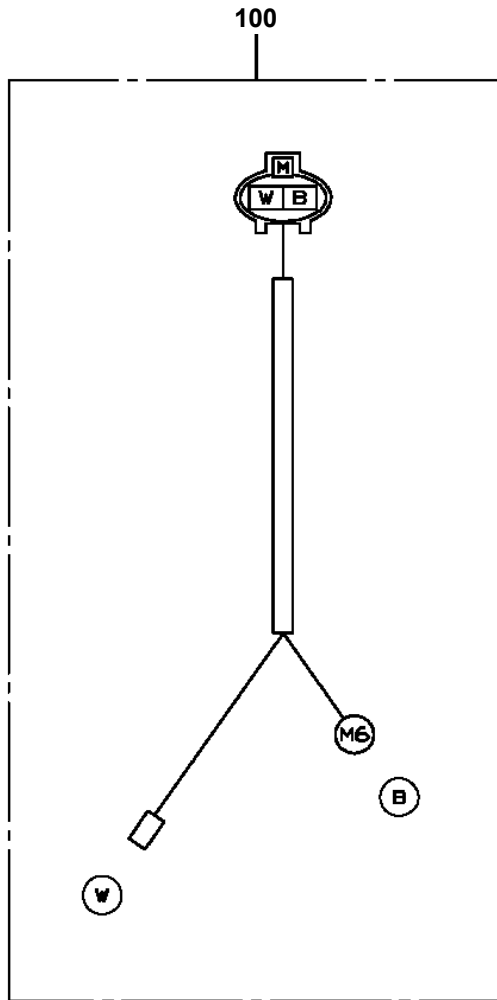
**OC-200M-1-00004 UPPER
PG1050313-01 CYLINDER,TELESCOPING**



OC-200M-1-00004 UPPER
PH1060297-00 DETECTOR, OVER WINDING (BOOM)

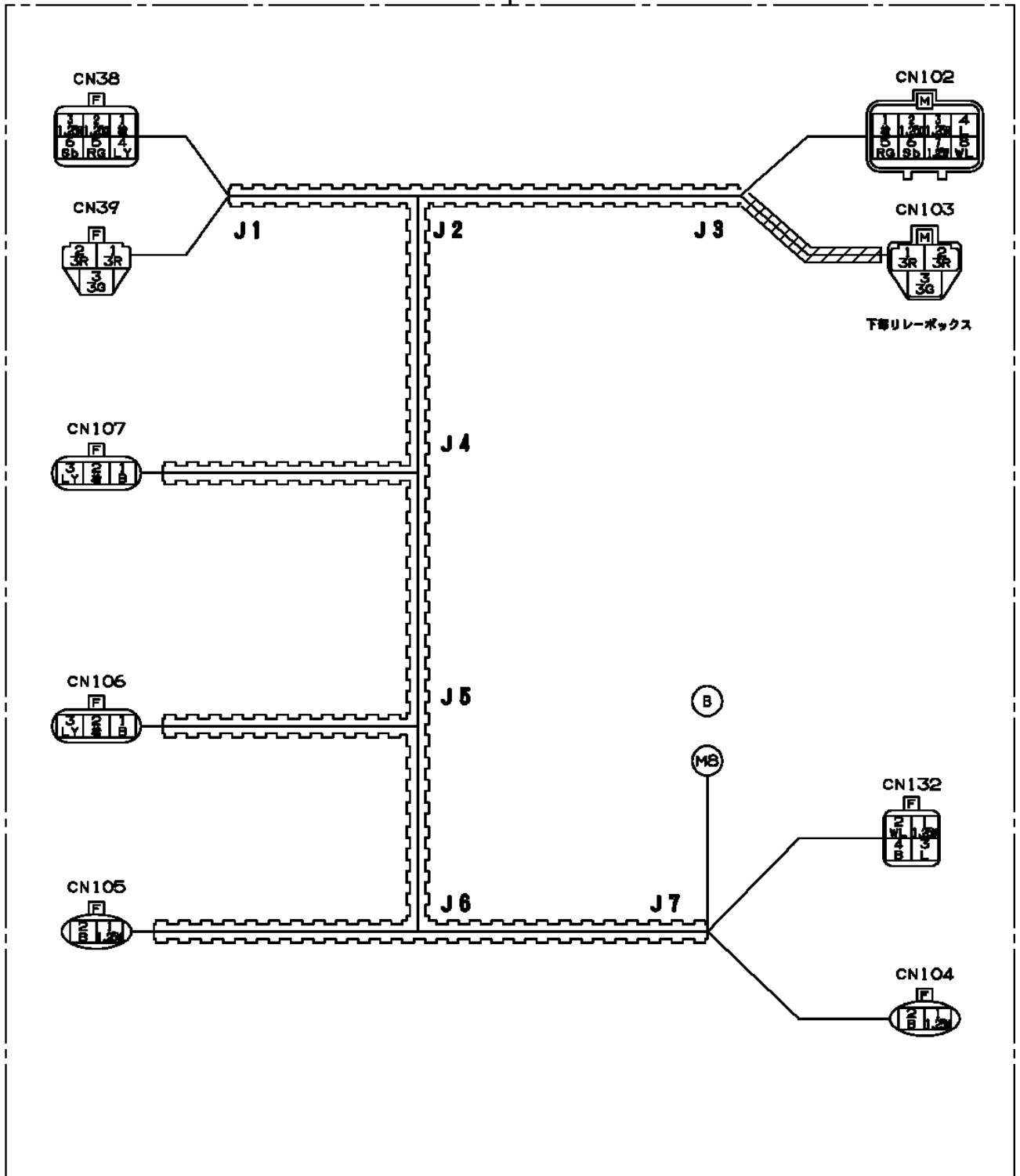


**OC-200M-1-00004 UPPER
PH5032005-00 HARNESS**



OC-200M-1-00004 UPPER
PH5032010-00 HARNESS

100



CLICK HERE TO **DOWNLOAD** THE COMPLETE MANUAL

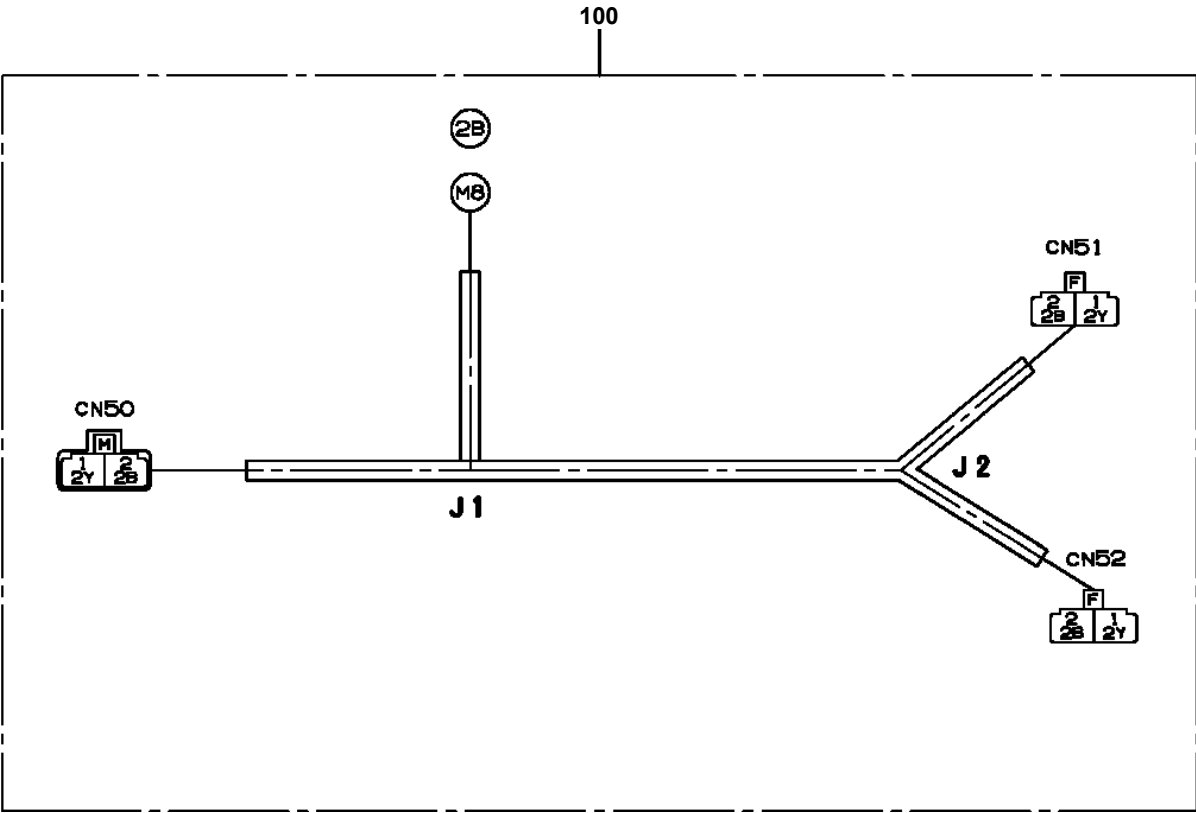
- Thank you very much for reading the preview of the manual.
- You can download the complete manual from: www.heydownloads.com by clicking the link below



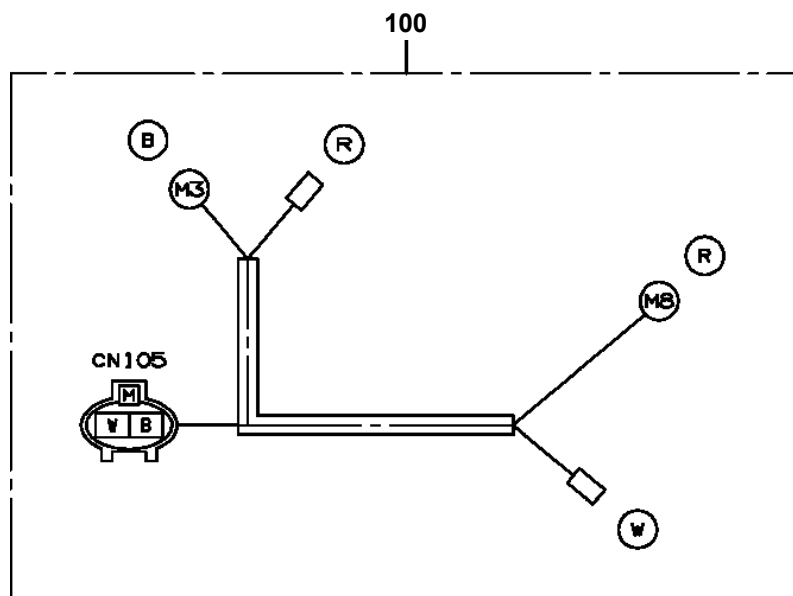
- Please note: If there is no response to CLICKING the link, please download this PDF first and then click on it.

CLICK HERE TO **DOWNLOAD** THE COMPLETE MANUAL

OC-200M-1-00004 UPPER
PH5032015-00 HARNESS

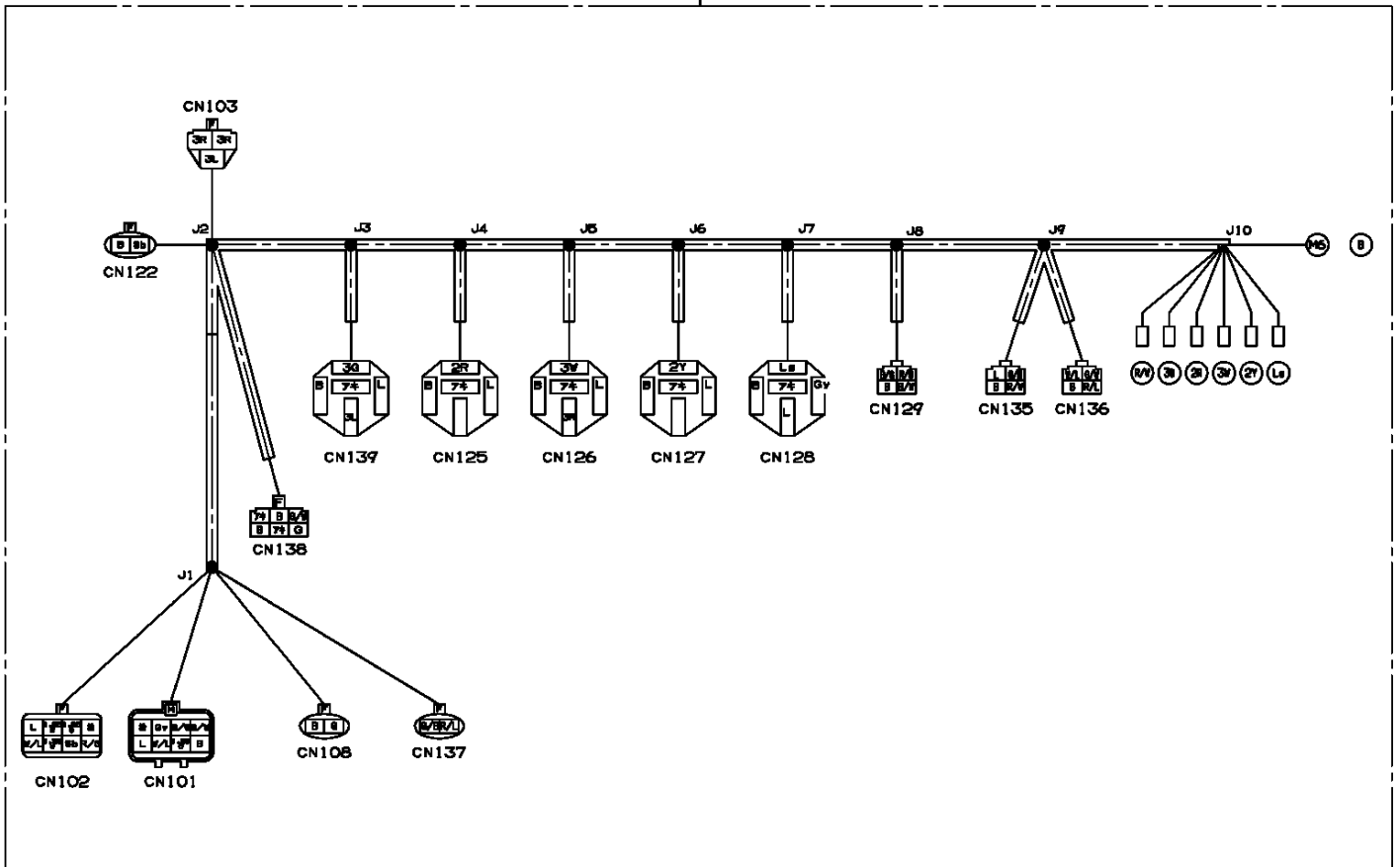


OC-200M-1-00004 UPPER
PH5032020-00 HARNESS



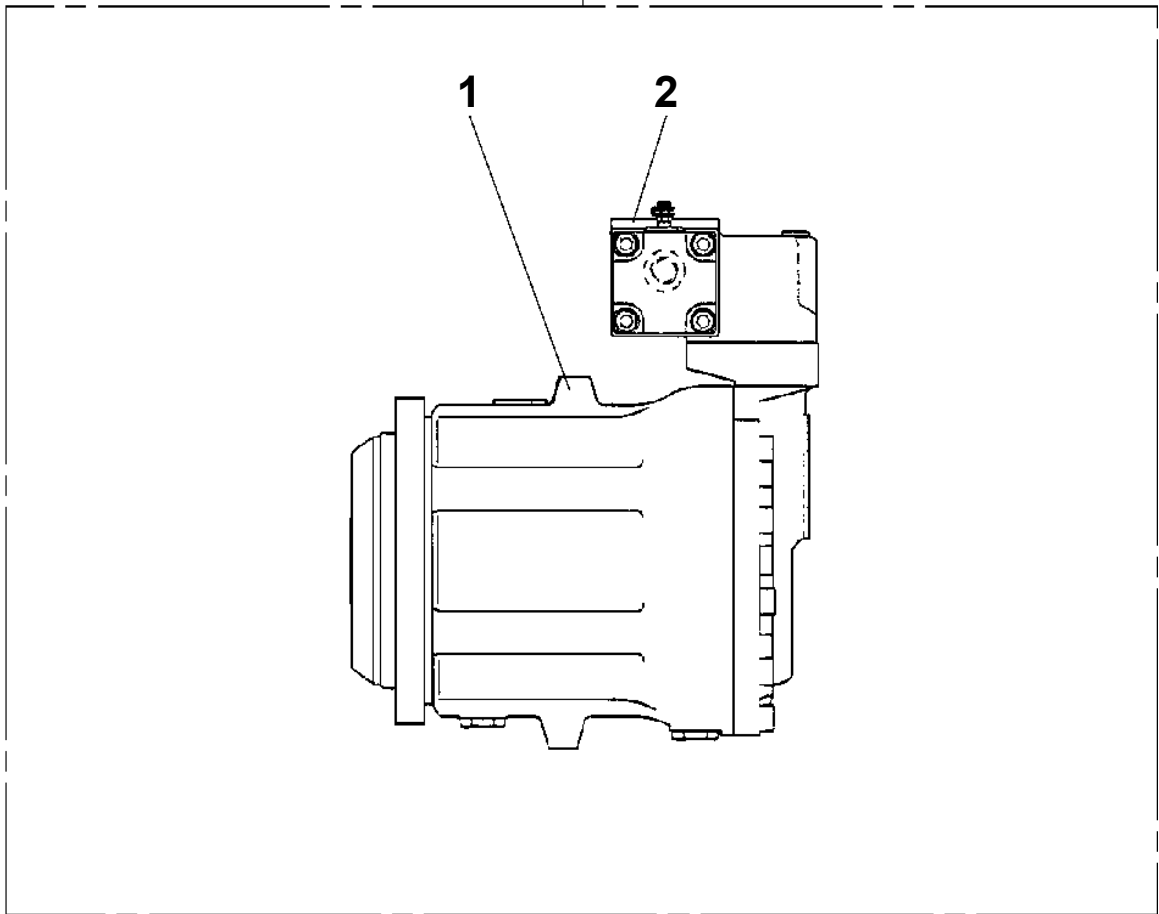
**OC-200M-1-00004 UPPER
PH5032028-00 HARNESS**

100



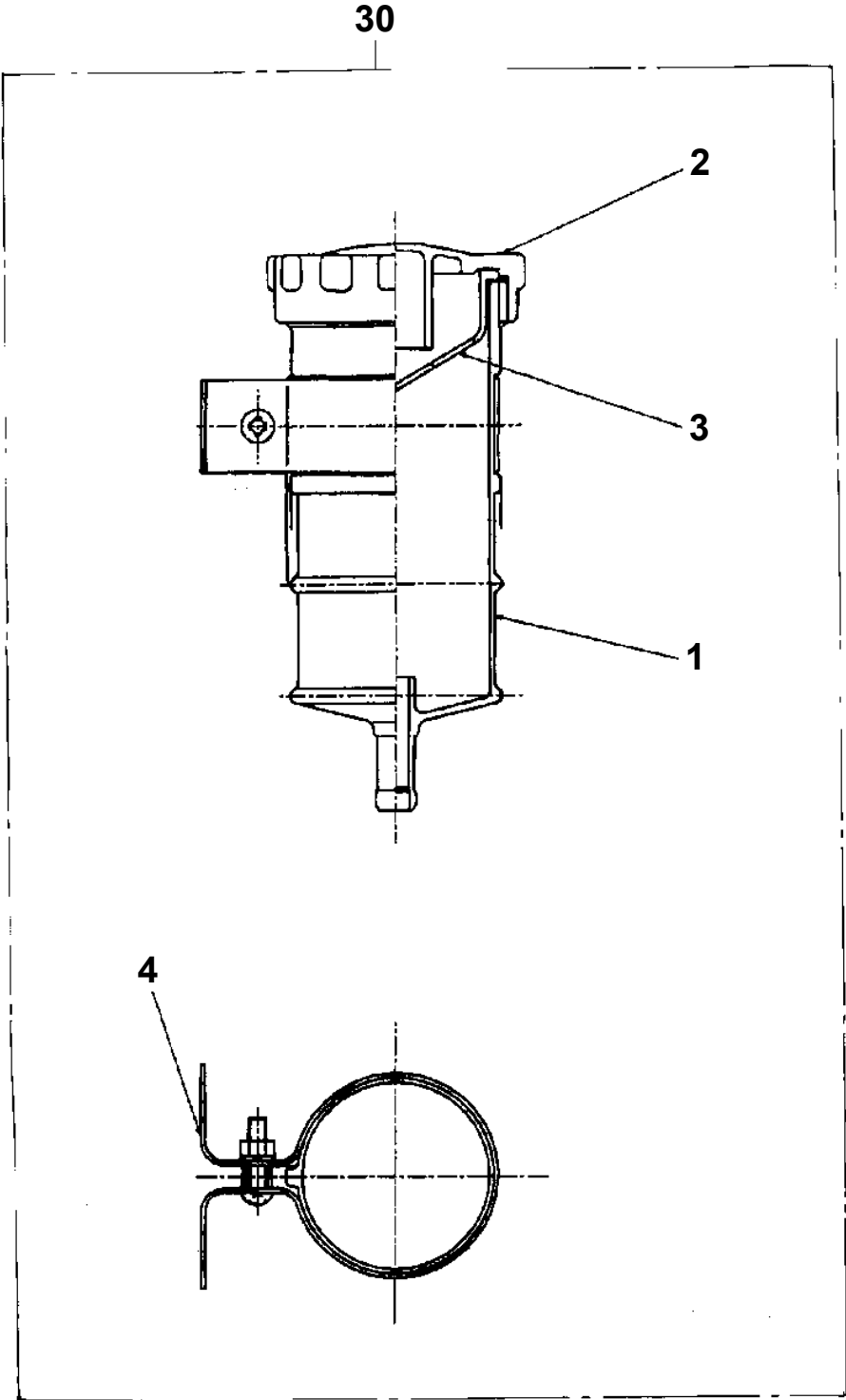
**OC-200M-1-00004 UPPER
PI1010165-01 MOTOR, HYDRAULIC**

200



OC-200M-1-00004 UPPER
PI1050002-00 RESERVOIR,OIL

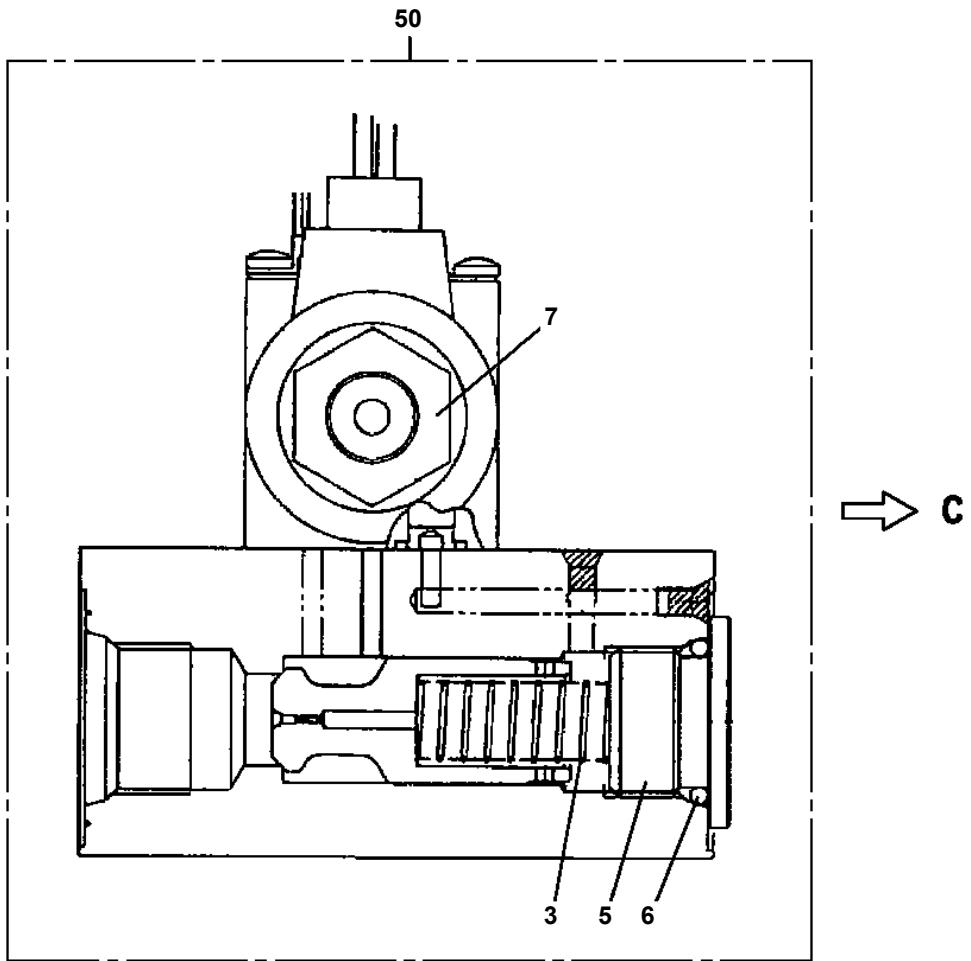
Assembly RESERVOIR, OIL



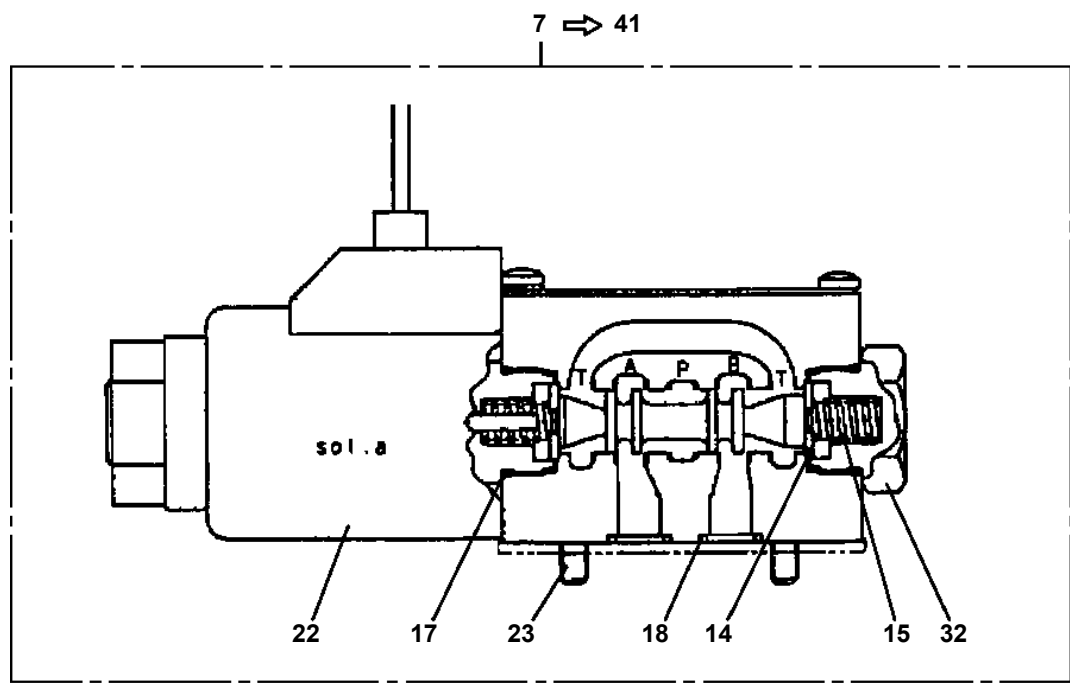
OC-200M-1-00004 UPPER

Pos No.	Parts No	Parts Name	Qty	Unit	Technical Data	Serial No (Start)	Serial No (End)	Remarks
4	36640085015	RETAINER	2					
5	36640085025	SPRING	2					
7	91000501700	O-RING	2					
	36646085020	O-RING	2			325591		
8	36642935040	RING	4					
12	36642935021	SOLENOID	1					
13	90131505050	BOLT,HEXAGON SOCKET	4		M5X50		325590	
	36642935070	BOLT,HEXAGON SOCKET	4		M5X30	325591		
22	36642935030	PLUG	1					
50	36642930000	VALVE,SOLENOID	1					

OC-200M-1-00004 UPPER
PI1120353-00 VALVE,SOLENOID



A



B

OC-200M-1-00004 UPPER

Pos No.	Parts No	Parts Name	Qty	Unit	Technical Data	Serial No (Start)	Serial No (End)	Remarks	Pages
1	36621335050	VALVE,CHECK	1						
2	34340021700	FILTER	1						
5	36621335040	SPRING	1						
6	90303100501	WASHER,PLAIN	1		5				
7	80602110100	RING,RITAINING	1		R10				
20	36621330000	VALVE,CHECK	1						

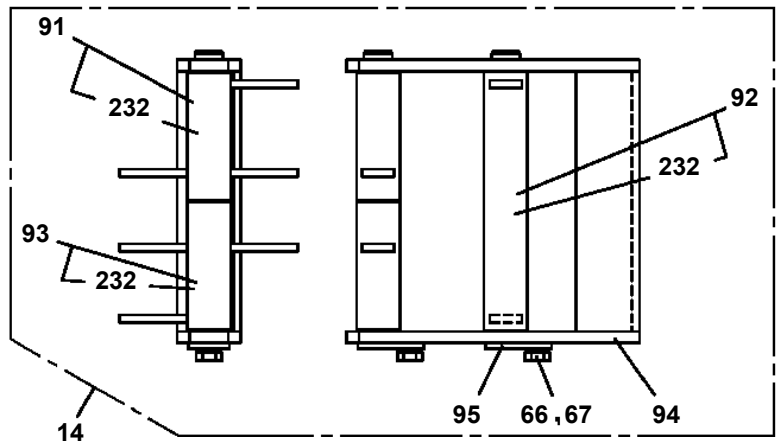
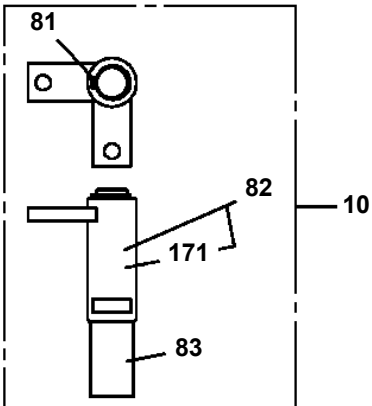
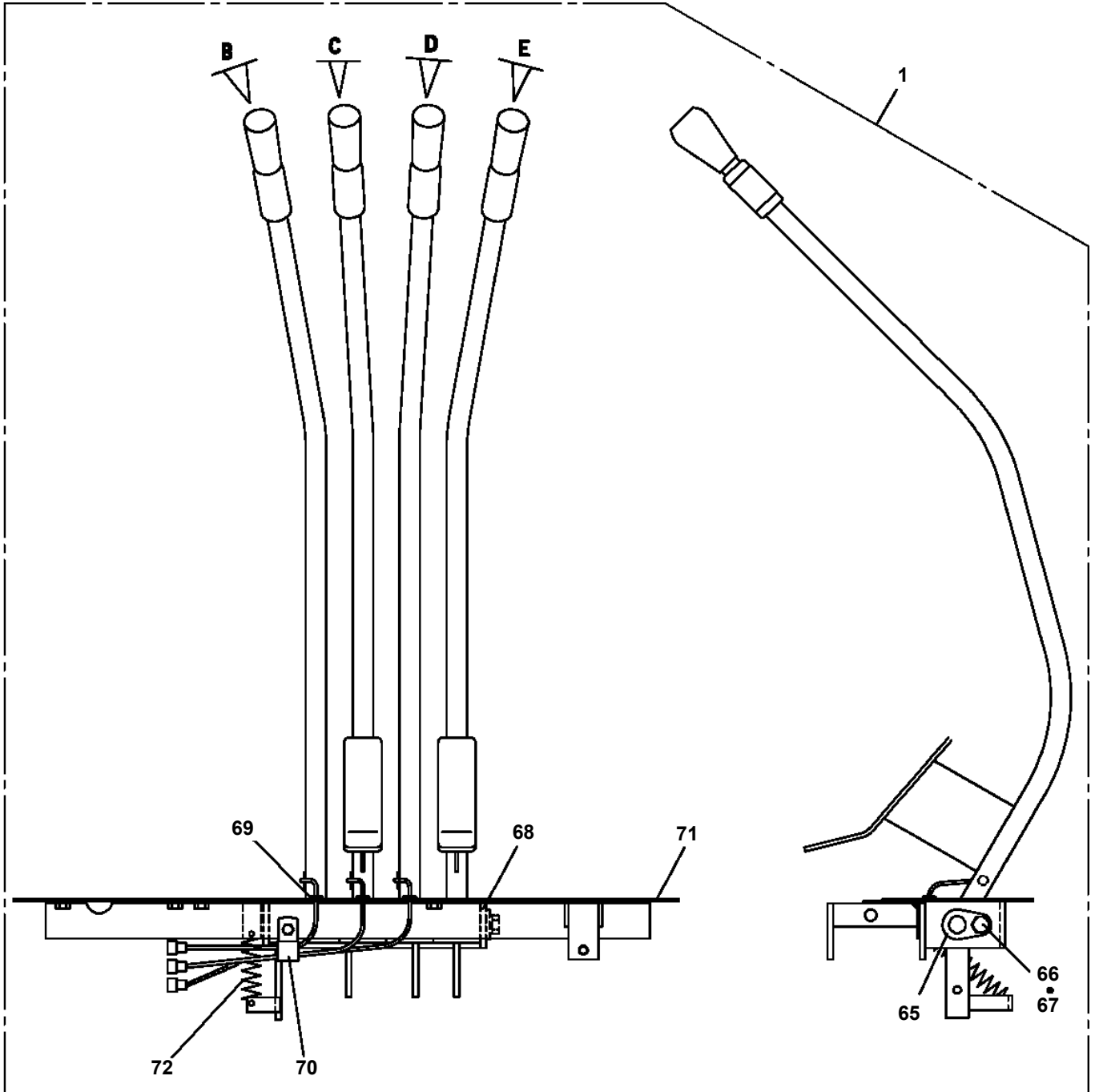
OC-200M-1-00004 UPPER

Pos No.	Parts No	Parts Name	Qty	Unit	Technical Data	Serial No (Start)	Serial No (End)	Remarks	Pages
1	32620465100	SUPPORT	1						
2	32620465200	SUPPORT	1						
3	32620465300	SUPPORT	1						
4	32620465400	SUPPORT	2						
5	32620465500	SUPPORT	1						
11	37000507790	PLATE	2						
12	32620466010	SUPPORT	1						
13	37000530560	PLATE	2						
14	37000502970	PLATE	3						
15	32620466020	SUPPORT	1						
16	37000534510	PLATE	1						
17	32620466030	SUPPORT	2						
18	32620466600	SUPPORT	2				325543		
19	90101206016	BOLT	29		M6X16		325543		
	90101206016	BOLT	27		M6X16	325544			
20	37000509200	PLATE	16						
21	37000500750	PLATE	2						
22	32620466800	SUPPORT	1						
23	56360013000	PLATE	4						
24	32620466400	SUPPORT	1						
25	32620466900	SUPPORT	1						
26	32620466300	SUPPORT	1						
27	37000569870	PLATE	1						
28	32620466200	SUPPORT	1						
29	32620466100	SUPPORT	4						
30	37000569130	PLATE	2						
31	32620466060	SUPPORT	1						
32	32620466070	SUPPORT	1						
34	32620466550	SUPPORT	1						
35	37000569230	PLATE	1				325543		
36	32620466700	SUPPORT	1				325543		
38	37000505120	PLATE	3						
39	37000506640	PLATE	2						
40	37000570620	PLATE	1		75X80XT6		325486		
	37000570620	PLATE	2		75X80XT6	325487			
41	37000571140	PLATE	4						
58	32620467100	SUPPORT	1			325544			
73	32620467200	SUPPORT	1			325544			
75	32620467300	SUPPORT	1			325544			
76	37000586260	PLATE	1			325544			
100	32620460000	FRAME	1						

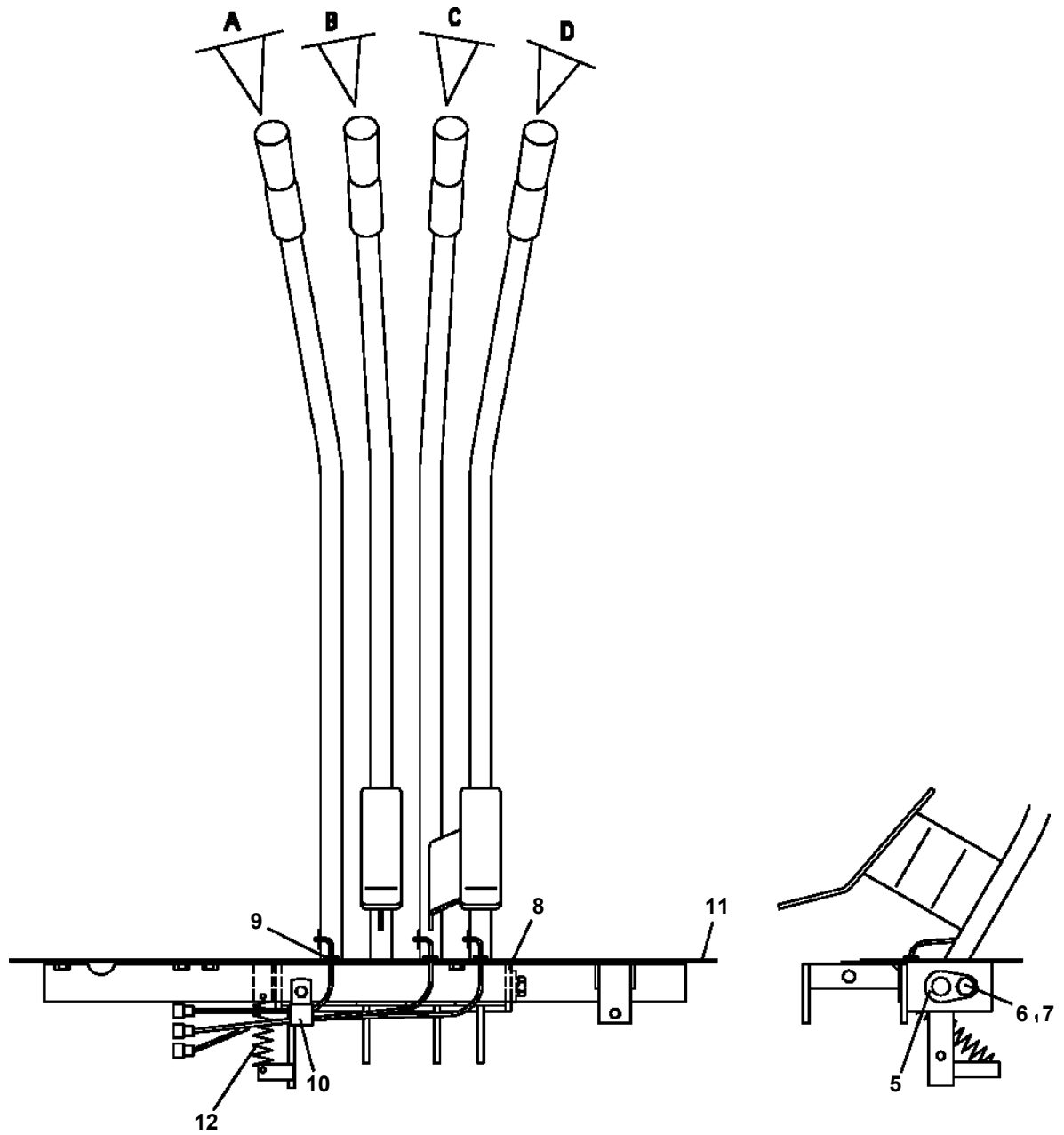
OC-200M-1-00004 UPPER

Pos No.	Parts No	Parts Name	Qty	Unit	Technical Data	Serial No (Start)	Serial No (
2	32260227590	GLASS (FRONT)	1				
3	32260227940	RUBBER (H,FRONT)	1				
4	32260227970	WEDGE (H RUBBER/FRONT)	1				
5	32260227800	PACKING (DOOR)	1				
6	32260227710	GLASS (DOOR)	1				
7	32260227720	GLASS (REAR RIGHT)	1				
8	32260227950	RUBBER (H)	1				
9	32260227990	WEDGE (REAR RIGHT GLASS)	1				
10	32260227730	SASH ASSY (GLASS)	1				
11	32260227920	RUBBER (U)	1				
12	32260227510	GLASS (ROOF)	1				
13	32260227930	ADHESIVE (AUTO DAIN/ TAPEX4,TUBEX1)	1				
14	32260227630	GLASS (REAR)	1				
15	32260227660	STRIP,WATER	1				
16	34260237810	HANDLE ASSY (GLASS)	1				
17	34260237830	HOLDER ASSY (GLASS/REAR)	2				
18	32260227580	MOTOR,WIPER	1				
19	32260227570	ARM,WIPER	2				
20	33260545020	BLADE,WIPER	2				
21	32260227520	MOTOR (ROOF WIPER)	1				
22	32260228030	TRIM	1				
23	32260227831	RAIL (LOWER)	1				
24	32260227611	DOOR ASSY	1				
25	32260227550	HANDLE ASSY	1				
26	32260227701	COVER (HANDLE)	1				
27	32260227780	ROLLER ASSY	2				
28	32260227790	CATCH ASSY (BALL)	1				
29	32260227600	SASH ASSY (WITH GLASS)	1				
30	32260228050	RUBBER (U/SASH GLASS)	1				
31	32260227710	GLASS (DOOR)	1				
32	32260227960	RUBBER (H)	1				
33	32260228000	WEDGE (DOOR GLASS)	1				
34	32260227820	STRIKER ASSY	1				
35	32260228040	COVER ASSY (LOWER RAIL)	1				
36	32260227840	GRIP ASSY (FRONT)	1				
38	32260227860	TRIM (DOOR)	1				
39	32260227870	TRIM (ROOF)	1				
40	32260227620	LAMP,ROOM	1				
41	82100000786	BULB,LAMP	1		24V 10W		
42	32260227901	COVER ASSY	1				
43	32260227890	PLATE	6				
51	32260227750	GLASS (FRONT)	1				
52	32260227740	GLASS (REAR)	1				
53	32260015690	WEATHER STRIP	1		L=555		
55	32260228100	RUN CHANNEL	2		L=3090		
56	32260015380	GUIDE (BUSH)	7				
57	32260228070	LOCK ASSY (FRONT)	1				
58	32260228110	LOCK ASSY (REAR)	1				
59	32260228120	STRIKER (FRONT)	1				
60	32260228130	STRIKER (REAR)	1				
61	32260015430	SUPPORT (STRIKER)	1				
62	32260015440	STOPPER	2				
71	32260227670	GLASS (FRONT)	1				
72	32260227680	GLASS (REAR)	1				
73	32260015700	WEATHER STRIP (L=607/FRAME SET)	1				
75	32260228160	RUN CHANNEL	2		L=2450		
76	32260228170	SUPPORT (STRIKER)	1				
77	32260228180	LOCK ASSY	1				
78	32260228190	STRIKER (FRONT)	1				
79	32260228200	STOPPER	1				
80	32260228210	PACKING (LOCK)	1				
81	32260228220	STOPPER	2				
82	32260229500	LOCK ASSY (WITH PACKING/TS SERIES)	1				

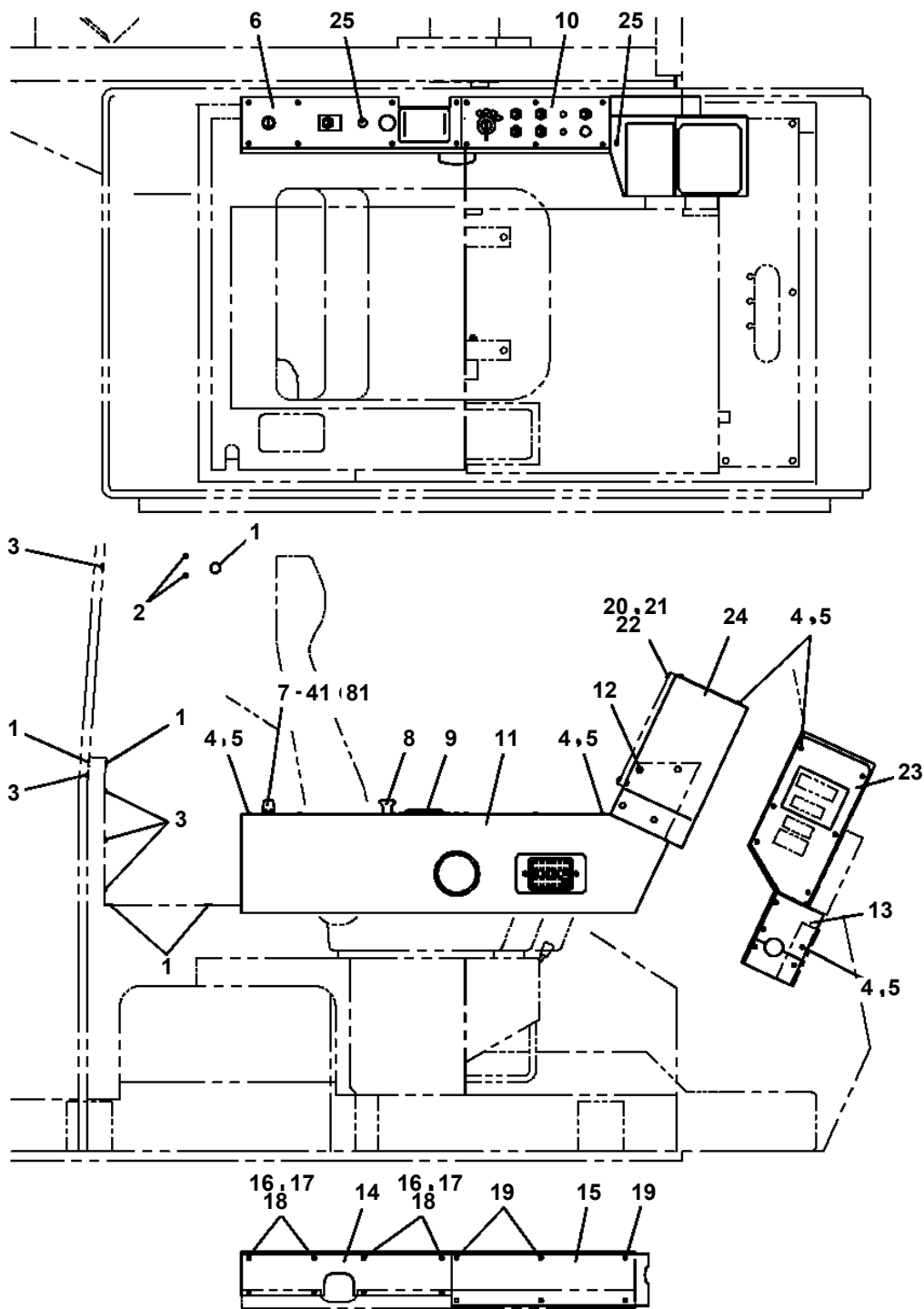
OC-200M-1-00004 UPPER
PL1010744-02 OPE.ASSY,CONT.VALVE (ISO)



OC-200M-1-00004 UPPER
PL1020064-01 LEVER, CONTROL



OC-200M-1-00004 UPPER
 PN1013270-01 ELEC.ASSY (CAB)



展開図有
 ILLUSTRATED BREAKDOWN NO. 11

OC-200M-1-00004 UPPER

Pos No.	Parts No	Parts Name	Qty	Unit	Technical Data	Serial No (Start)	Serial No (End)	Rem
1	32430354100	PANEL	1					
2	82100001381	SWITCH,PUSH (RED)	2					
3	82100001683	SWITCH,TOGGLE	1					
4	42650551130	LAMP ASSY (GREEN)	1					
5	82100001770	SWITCH,TOGGLE	4					
6	82100000082	SWITCH,STARTER (WITH KEY)	1					
7	82100001359	SWITCH,TOGGLE	1					
8	82100000947	CAP (RED)	1					
9	82100002263	CONNECTOR	1					
10	82100001400	TERMINAL	1					
11	82100001401	TERMINAL	2					
12	82100001222	INSULATOR	4					
13	82100001041	TERMINAL	2					
14	82100001039	TERMINAL	2					
15	82100001220	INSULATOR	3					
16	82100002121	TERMINAL (MALE)	1					
18	82100002268	CONNECTOR	1					
19	82100002258	TERMINAL	16					
20	82100002265	CONNECTOR (5POLES,MALE)	1					
21	82100002256	TERMINAL	14					
22	82100002262	CONNECTOR	1					
23	82100002273	CONNECTOR	1					
25	82100002270	CONNECTOR	1					
26	82100001056	CONNECTOR	2					
27	82100000192	TERMINAL	2					
28	82100000182	INSULATOR	2					
29	82100000191	TERMINAL	2					
30	82100000183	INSULATOR	2					
31	82100001242	TERMINAL	1					
32	82100001221	INSULATOR	1					
33	82100001323	CONNECTOR	1					
34	82100001329	TERMINAL	1					
35	82100001317	CONNECTOR	1					
36	82100000578	TERMINAL	1					
37	32430391010	PLATE,NAME	1					
61	82199504073	BUTTON (RED)	2					
75	82100005005	LENS (GREEN)	1					
81	82100000687	KEY (STARTER)	1					
100	32430391000	SWITCH PANEL	1					

OC-200M-1-00004 UPPER

Pos No.	Parts No	Parts Name	Qty	Unit	Technical Data	Serial No (Start)	Serial No (End)	Remarks	Pages
1	32651747100	SWITCH ASSY	1						
2	82100002893	LAMP	1						
3	80176303010	SCREW,MACHINE	3						
4	32651482202	SUPPORT	1						
5	90302040301	WASHER,SPRING	3		3				
6	90303070301	WASHER,PLAIN	3		3				
7	82100000783	BULB,LAMP	1		24V 12W				
8	90201200300	NUT	3		M3				
27	82100000665	CAP (BLACK)	1						
50	32651747001	LAMP	1						

OC-200M-1-00004 UPPER

Pos No.	Parts No	Parts Name	Qty	Unit	Technical Data	Serial No (Start)	Serial No (End)	Remarks
1	37002215680	PLATE,NAME (YELLOW)	1					

OC-200M-1-00004 UPPER

Pos No.	Parts No	Parts Name	Qty	Unit	Technical Data	Serial No (Start)	Serial No (End)
1	(*****)	PLATE,NAME (STD OPERATION MARK)	1				

CLICK HERE TO **DOWNLOAD** THE COMPLETE MANUAL

- Thank you very much for reading the preview of the manual.
- You can download the complete manual from: www.heydownloads.com by clicking the link below



- Please note: If there is no response to CLICKING the link, please download this PDF first and then click on it.

CLICK HERE TO **DOWNLOAD** THE COMPLETE MANUAL