

OC-200M-1-20700 LOWER,MITSUBISHI KC-FV502PY

PO1000123-00 INDICATION PLATES

PX2000087-00 CARRIER UNIT

PX3000091-00 MOUNTING UNIT

PY1001448-02 OPTIONS

ASSEMBLY

CLICK HERE TO **DOWNLOAD** THE COMPLETE MANUAL

- Thank you very much for reading the preview of the manual.
- You can download the complete manual from: www.heydownloads.com by clicking the link below



- Please note: If there is no response to CLICKING the link, please download this PDF first and then click on it.

CLICK HERE TO **DOWNLOAD** THE COMPLETE MANUAL

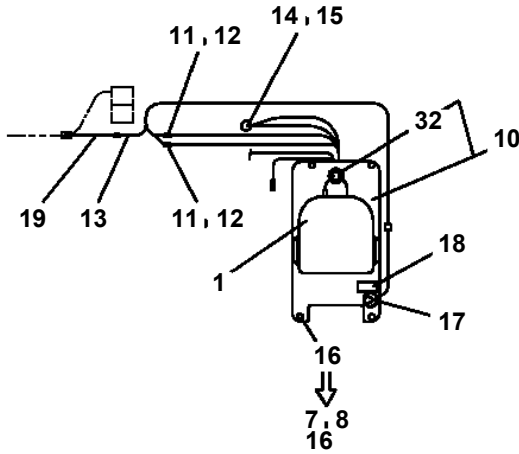
OC-200M-1-20700 LOWER,MITSUBISHI KC-FV502PY

PX1310041-02 MOUNT,LAMP (TAIL)
PX1390373-00 PARTS,CHASSIS MODIFICATION
PX1410150-00 MOUNT,TIRE
PX1490018-02 FIRE EXTINGUISHER
PX1650008-00 BUMPER INSTALLATION
PX1810025-00 MOUNT,SUPPORT (CARRIER)
PX1810029-00 MOUNT,SUPPORT
PX1810030-01 MOUNT,SUPPORT
PX1810031-00 MOUNT,SUPPORT
PX1810032-01 MOUNT,SUPPORT
PX1810033-01 MOUNT,SUPPORT (H=169,W=60)
PX1810034-01 MOUNT,SUPPORT (H=169,W=120)
PX1810035-01 MOUNT,SUPPORT (H=74,W=60)
PX1810174-00 MOUNT,SUPPORT
PY1010070-00 OPTION UNIT,1
PY3010004-00 OPE.ASSY,CONT.VALVE (REMO.)
PY3060001-00 RADIO CONTROL SYSTEM (WRECKING)
PY3060002-01 RADIO CONTROL (WRECKING)
PY3070004-00 ELECTRICAL ACCESSORIES (WRECKING)
PY3100009-02 PIPING,HYDRAULIC (WRECKING)
PY3100010-03 PIPING,HYDRAULIC (FORK)
PY3200005-05 WRECKING FORK
PY3320003-02 CYLINDER,LIFT
PY3330004-01 CYLINDER,FORK
PY3340001-01 CYLINDER,FORK SLIDE (FOR TOP)
PY3340002-01 CYLINDER,FORK SLIDE (FOR SECOND)
PY3350002-01 CYLINDER,TILT
PY3390000-00 WRECKING WINCH
PY3420000-00 SHACKLE
PY3420000-00 SHACKLE

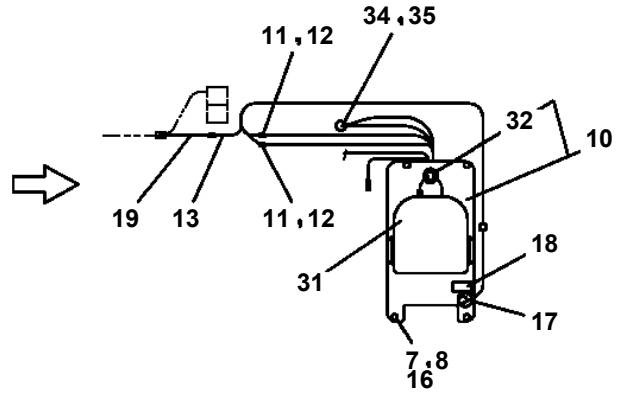
OC-200M-1-20700 LOWER,MITSUBISHI KC-FV502PY

Pos No.	Parts No	Parts Name	Qty	Unit	Technical Data	Serial No (Start)	Serial No (End)	Remarks
1	32640764100	FITTING,FLANGE	1					
2	91001208000	O-RING	1		1A G80			
3	90101208020	BOLT	4		M8X20			
4	90302040801	WASHER,SPRING	4		8			
5	37002511770	HOSE	1		L=500			
6	91803601000	CLIP	4		D=85-100			
7	32641802100	JOINT	1					
8	91001206000	O-RING	1		1A G60			
9	90131512035	BOLT,HEXAGON SOCKET	4		M12X35			
10	90302041201	WASHER,SPRING	4		12			
11	91001204000	O-RING	2		1A G40			
12	90131510030	BOLT,HEXAGON SOCKET	8		M10X30			
13	90302041001	WASHER,SPRING	8		10			
14	32640562400	FITTING,FLANGE	2					
15	80330003400	JOINT	2					

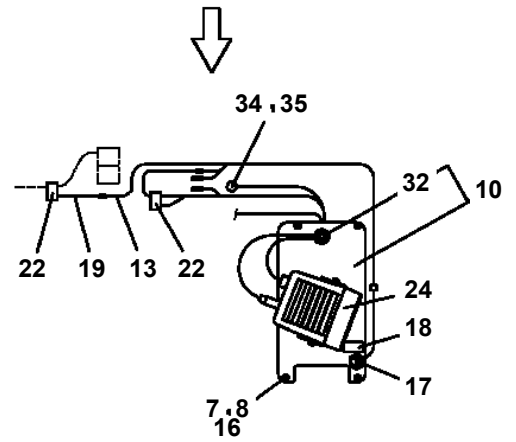
**OC-200M-1-20700 LOWER, MITSUBISHI KC-FV502PY
PH1700078-05 VIEW SYSTEM (OPTION)**



~#325411

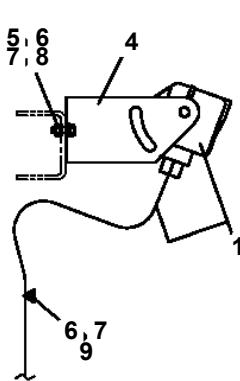


#325412~#325506

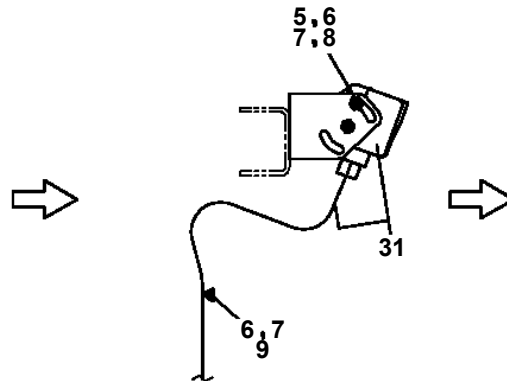


#325507~

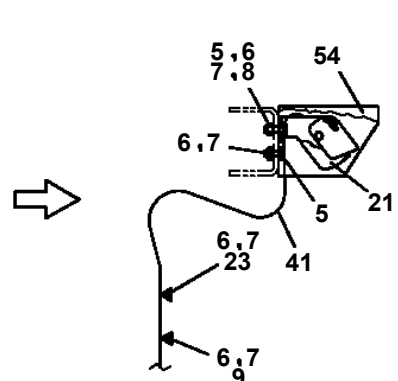
A



~#325411



#325412~#325506



#325507~

C

OC-200M-1-20700 LOWER,MITSUBISHI KC-FV502PY

Pos No.	Parts No	Parts Name	Qty	Unit	Technical Data	Serial No (Start)	Serial No (End)	Remarks
1	34478037510	MONITOR ASSY	1					
2	34478037520	BRACKET	1					
3	34478037530	KNOB	2					
4	34478037540	KNOB	2					
11	34478037570	CAMERA ASSY	1					
12	34478037580	BRACKET	1					
22	34478033030	CABLE	1		L=23000			
100	34478033000	VIEW SYSTEM (OPTION)	1					

OC-200M-1-20700 LOWER,MITSUBISHI KC-FV502PY

Pos No.	Parts No	Parts Name	Qty	Unit	Technical Data	Serial No (Start)	Serial No (End)	Remarks
1	34478897560	ESCUTCHEON	1					
2	34478897570	COVER (REAR)	1					
3	34478897580	BUTTON	1					
4	34478897590	COVER (CRT)	1					
5	34478897600	BRACKET (HEAT THINK)	1					
6	34478897610	HOLDER (RIGHT/P.W.B.)	1					
7	34478897620	HOLDER (LEFT/P.W.B.)	1					
8	34478897630	CASE	1					
9	34478897640	WASHER	2					
10	34478897650	TUBE	1					
11	34478897660	TUBE	1					
12	34478897670	SPACER	1					
13	34478897680	HOLDER (LEAD)	1					
14	34478897690	PLATE (DOUBLE FACE)	2					
15	34478897700	PLATE (DOUBLE FACE)	2					
16	34478897710	PLATE (286-8469-00)	1					
17	34478897720	SHADE	2					
18	34478897730	LABEL (GUIDE)	1					
19	34478897740	CRT ASSY	1					
20	34478897750	BOARD (MAIN P.W.B.)	1					
21	34478897760	RESISTANCE	1					
22	34478897770	RESISTANCE	1					
23	34478897780	SWITCH	5					
24	34478897790	YOKE	1					
25	34478897800	TRANSFORMER	1					
26	34478897810	SOCKET	1					
27	34478897820	SOCKET (DIN)	1					
28	34478897830	TRANSISTOR	1					
29	34478897840	IC	1					
30	34478897850	TRANSISTOR	1					
32	34478897870	SOCKET (CRT)	1					
34	34478897860	COIL	1					
35	34478897880	INSULATOR (PAPER)	1					
41	34478897890	WIRE (CONNECTING)	1					
42	34478897900	SHADE	4					
43	34478897910	HOLDER	1					
50	34478892000	DISPLAY	1					

OC-200M-1-20700 LOWER,MITSUBISHI KC-FV502PY

Pos No.	Parts No	Parts Name	Qty	Unit	Technical Data	Serial No (Start)	Serial No (End)	Remarks	Pages
100	32380060250	HARNESS	1						

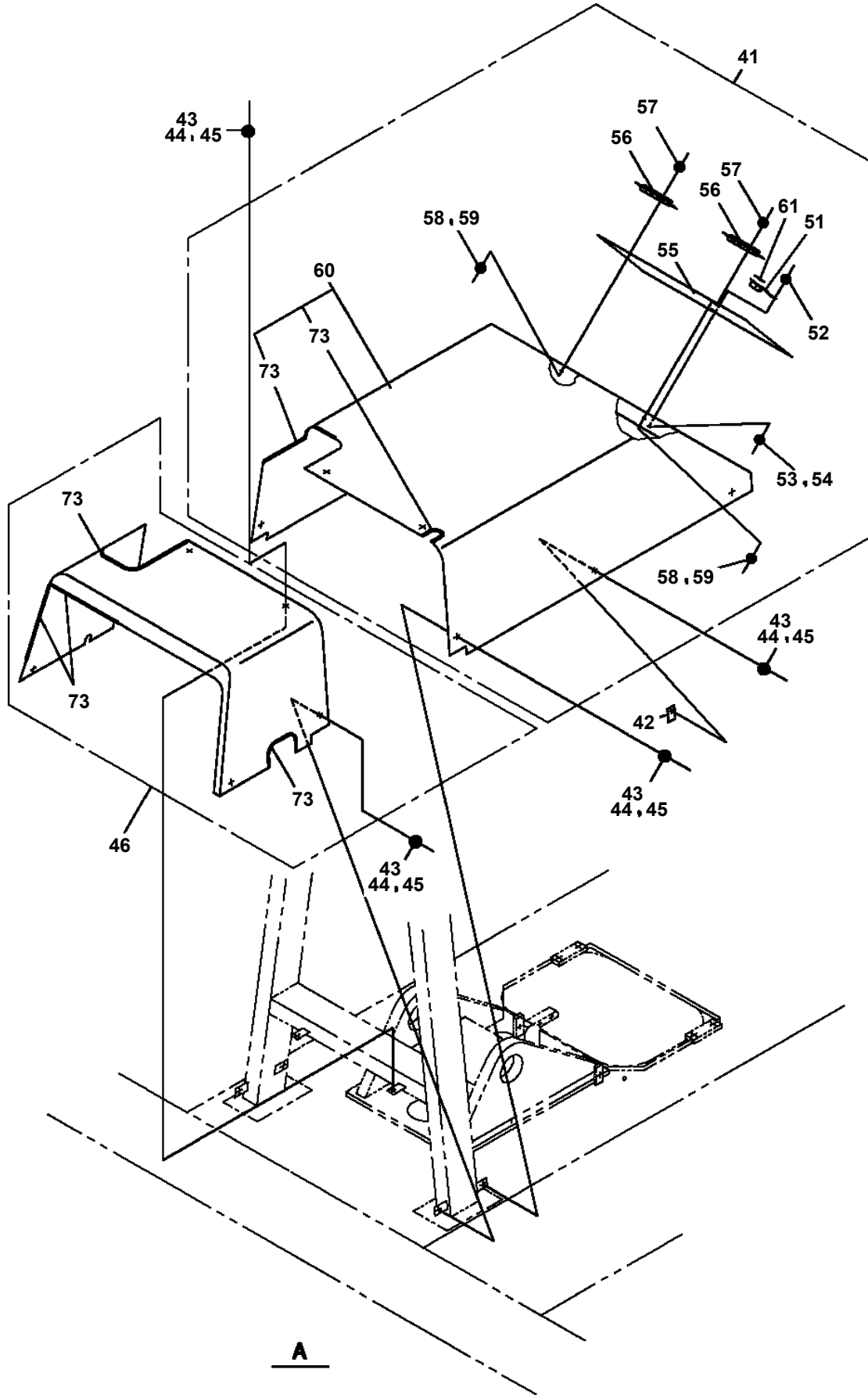
OC-200M-1-20700 LOWER,MITSUBISHI KC-FV502PY

Pos No.	Parts No	Parts Name	Qty	Unit	Technical Data	Serial No (Start)	Serial No (End)	Remarks	Pages
100	32930070100	HARNESS	1						

OC-200M-1-20700 LOWER,MITSUBISHI KC-FV502PY

Pos No.	Parts No	Parts Name	Qty	Unit	Technical Data	Serial No (Start)	Serial No (End)	Remarks	Pages
11	91001101200	O-RING	2		1A P12				
23	36624110300	SEAT	2						
24	36624110400	SPRING	2						
26	36624110600	PISTON	1						
28	91001101800	O-RING	2		1A P18				
30	36624111000	PACKING	2						
31	36624111100	O-RING	1		P12				
41	36624110100	BODY	1						
42	36624110200	PLUG	2						
45	36624110501	PLUNGER	2						
100	36624110000	VALVE,CHECK	1						

OC-200M-1-20700 LOWER, MITSUBISHI KC-FV502PY
PK1330156-03 COVER (REAR TOOL BOX)



OC-200M-1-20700 LOWER,MITSUBISHI KC-FV502PY

Pos No.	Parts No	Parts Name	Qty	Unit	Technical Data	Serial No (Start)	Serial No (End)	Remarks	Pages
1	32930070100	HARNESS	1						000033
2	37000705920	CLAMP ASSY	3		WR10				
3	37000704790	CLAMP ASSY	3		D=6				
4	82100002225	FASTENER	10						
5	82100002597	RELAY	1						
6	37000708940	CLAMP ASSY	3		D=18				
7	37000705940	CLAMP ASSY	3		D=15				
8	90101206014	BOLT	1		M6X14				
9	90302040601	WASHER,SPRING	1		6				

CLICK HERE TO **DOWNLOAD** THE COMPLETE MANUAL

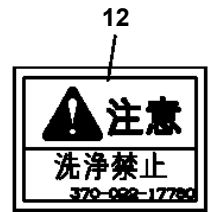
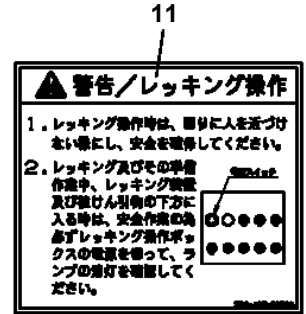
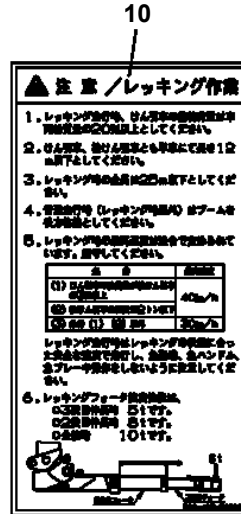
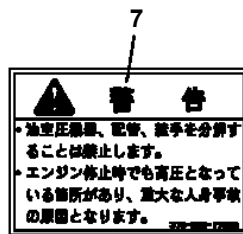
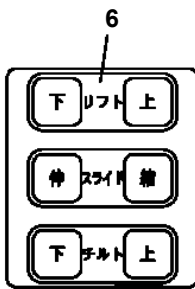
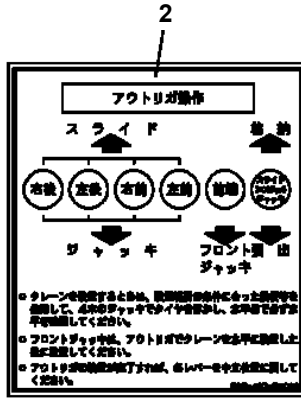
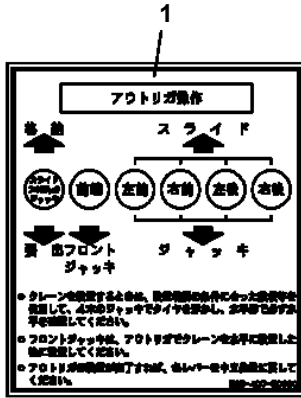
- Thank you very much for reading the preview of the manual.
- You can download the complete manual from: www.heydownloads.com by clicking the link below



- Please note: If there is no response to CLICKING the link, please download this PDF first and then click on it.

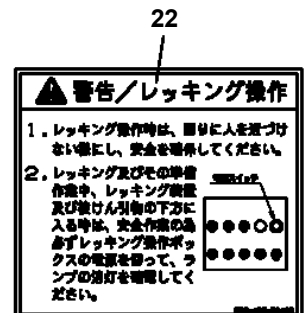
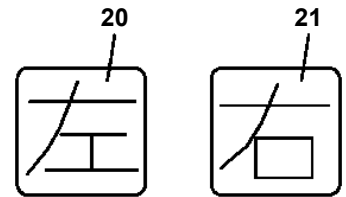
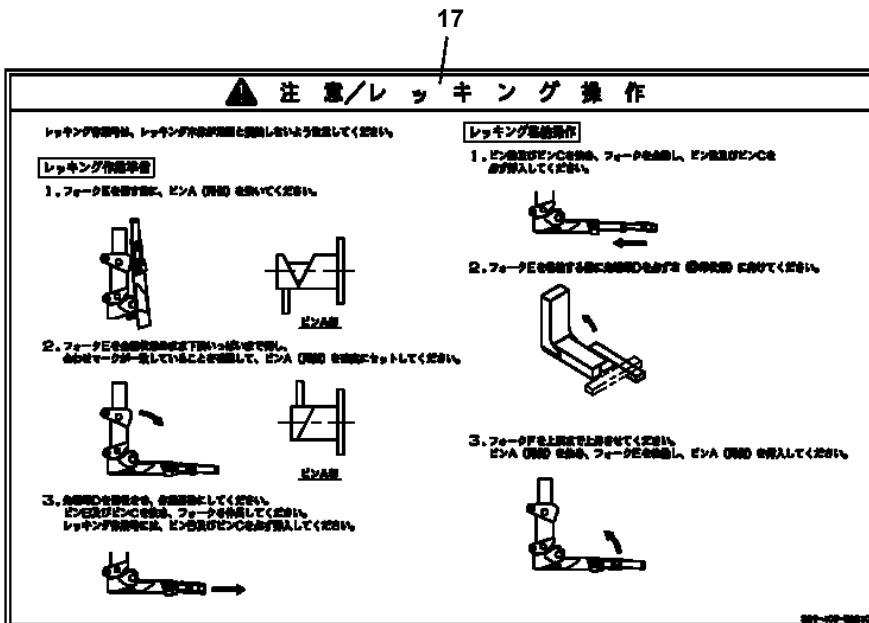
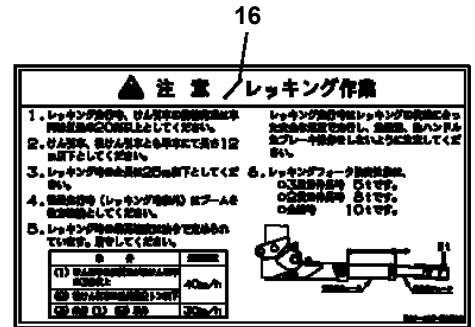
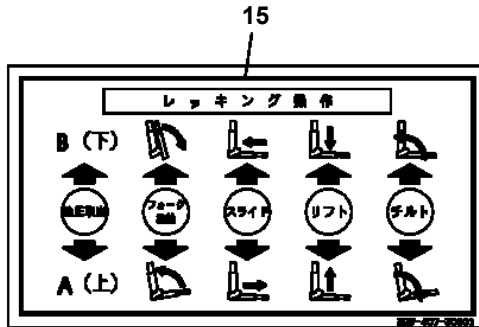
CLICK HERE TO **DOWNLOAD** THE COMPLETE MANUAL

OC-200M-1-20700 LOWER, MITSUBISHI KC-FV502PY
 PO1012660-03 PLATE ASSY, NAME (WITH F/J)

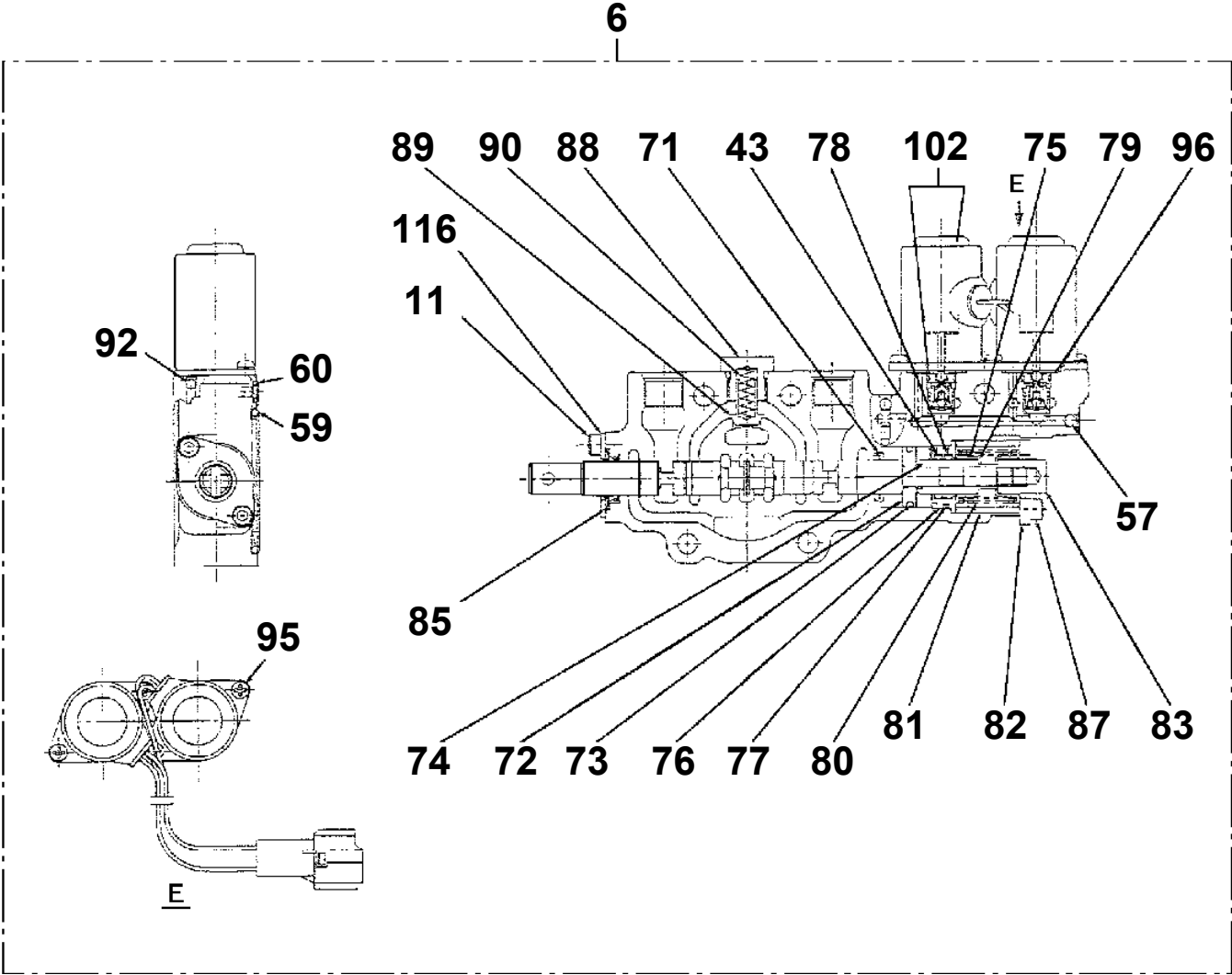


14

20A	20A	20A	20A	30A	10A
PT O 部	作下 機部 灯	PT O 部	作上 機部 灯	ヒ ク	予 備
20A	20A	20A	30A		
7# SPARE	7# SPARE	7# SPARE			
10A	10A	10A	20A	20A	
予 備	予 備	予 備	予 備	予 備	



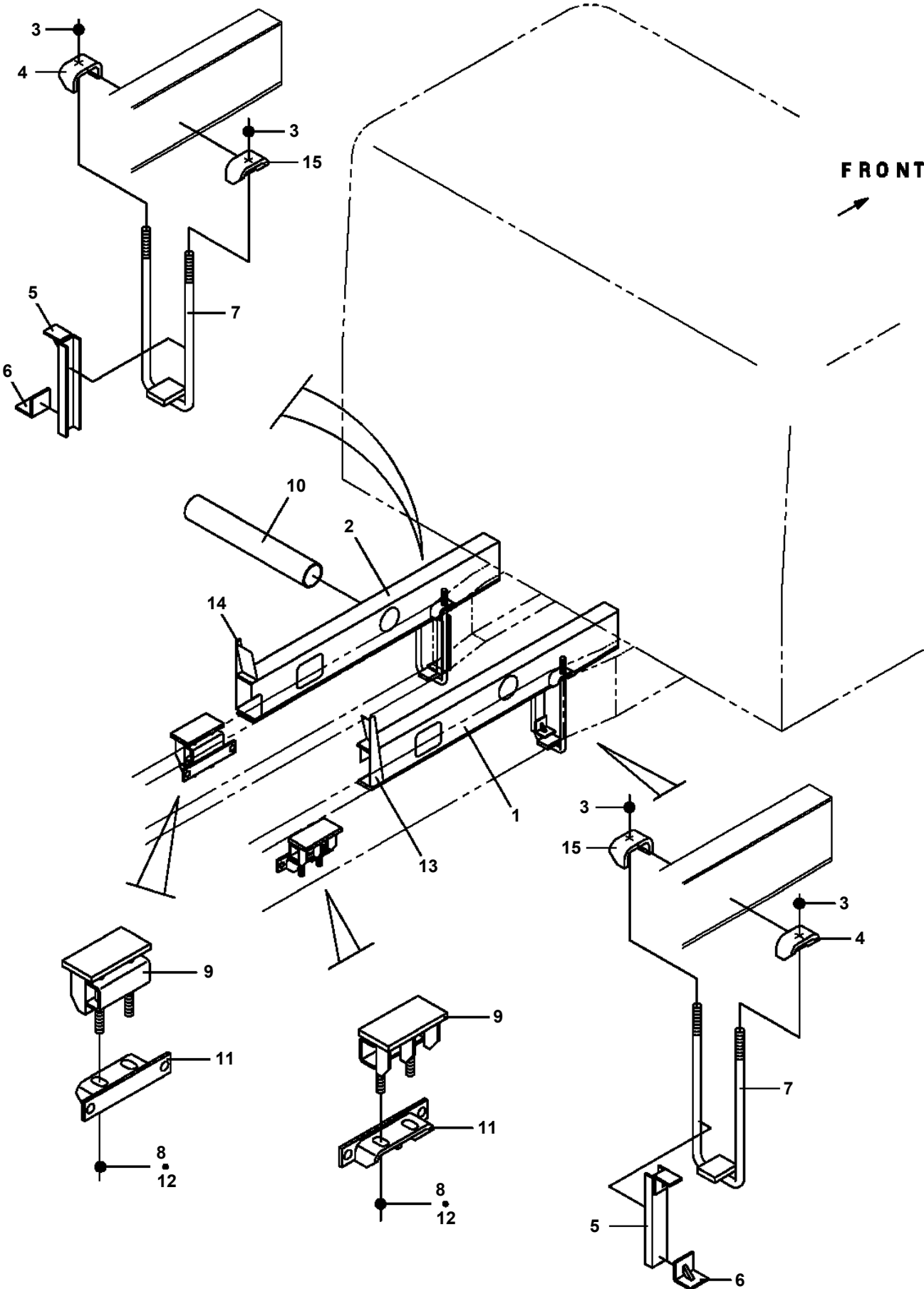
**OC-200M-1-20700 LOWER, MITSUBISHI KC-FV502PY
PV1020177-00 VALVE, REMOTE CONTROL**



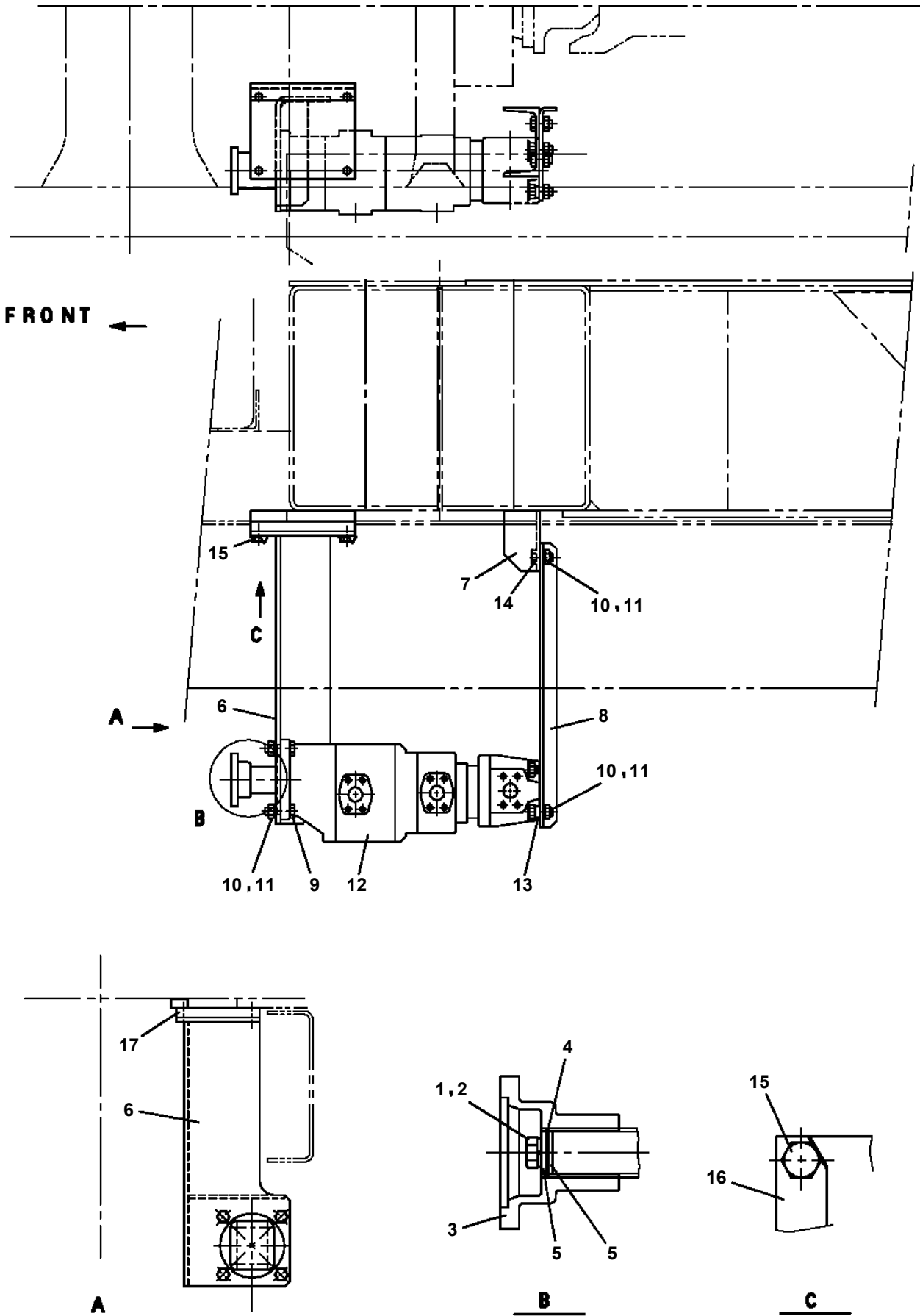
OC-200M-1-20700 LOWER,MITSUBISHI KC-FV502PY

Pos No.	Parts No	Parts Name	Qty	Unit	Technical Data	Serial No (Start)	Serial No (End)
1	42460012530	WEDGE (STOPPER FOR TIRE/WAZUMI)	1				

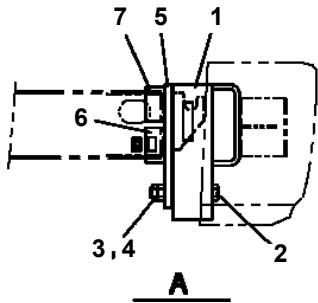
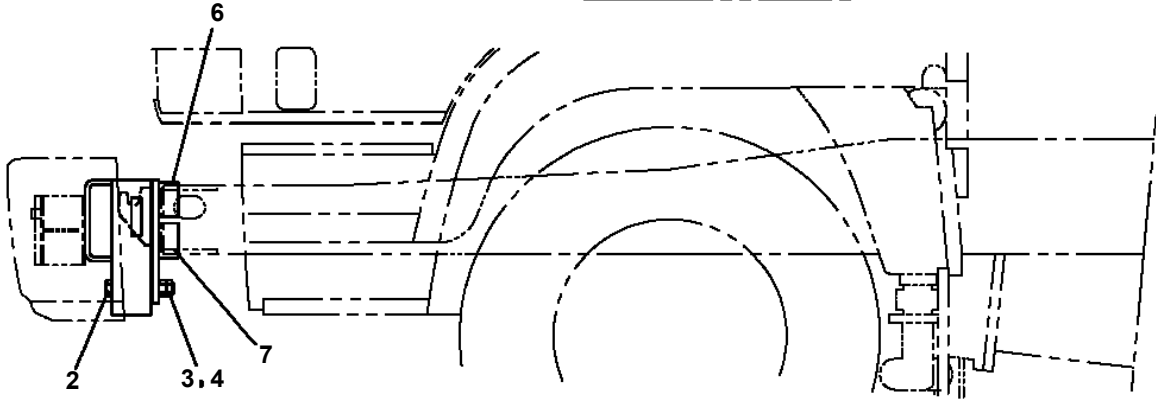
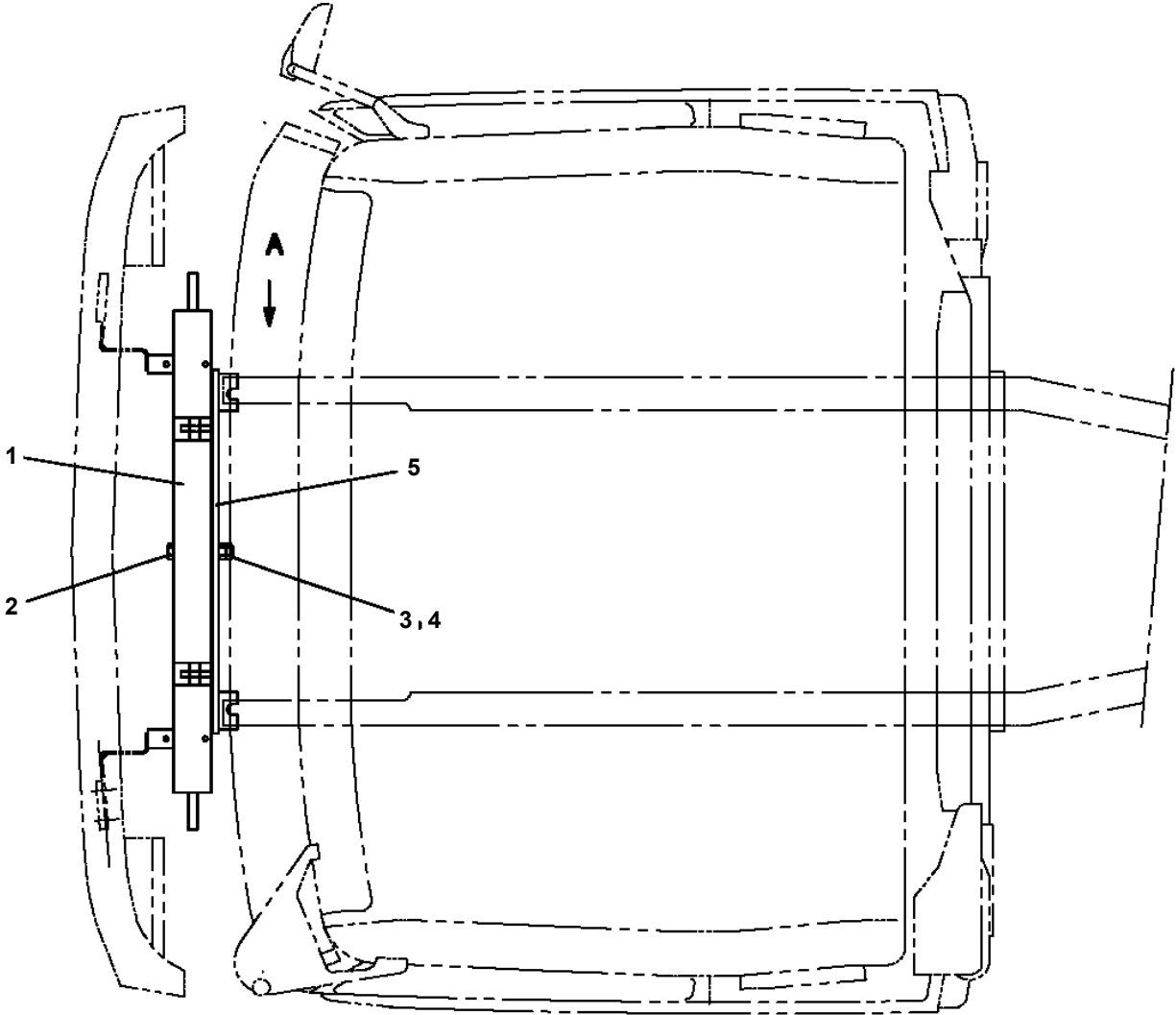
**OC-200M-1-20700 LOWER, MITSUBISHI KC-FV502PY
PX1170494-00 ATTACHMENT PARTS, CRANE FRAME (1)**



**OC-200M-1-20700 LOWER, MITSUBISHI KC-FV502PY
PX1220317-00 PUMP INSTALLATION**



OC-200M-1-20700 LOWER, MITSUBISHI KC-FV502PY
PX1290293-01 WEIGHT (FRONT)



OC-200M-1-20700 LOWER,MITSUBISHI KC-FV502PY

Pos No.	Parts No	Parts Name	Qty	Unit	Technical Data	Serial No (Start)	Serial No (End)	Remarks	Pag
1	42895130100	BOX ASSY	1						
2	90101210020	BOLT	4		M10X20				
3	90201201000	NUT	4		M10				
4	90302041001	WASHER,SPRING	4		10				
5	91980154010	FIRE EXTINGUISHER	1						
6	90101206016	BOLT	6		M6X16				
7	90201200600	NUT	6		M6				
8	90302040601	WASHER,SPRING	6		6				
9	32732270100	SUPPORT	1						

OC-200M-1-20700 LOWER,MITSUBISHI KC-FV502PY

Pos No.	Parts No	Parts Name	Qty	Unit	Technical Data	Serial No (Start)	Serial No (End)	Remarks	Pages
1	32731701000	SUPPORT ASSY	2						
21	32731701100	SUPPORT	2						
22	32731701200	SUPPORT	2						
23	37000172890	PIN	2						
24	37000201100	PIN,SNAP	4						
25	32731701400	PIN	2						
26	82455106000	NIPPLE,GREASE	2		A-M6F FE				

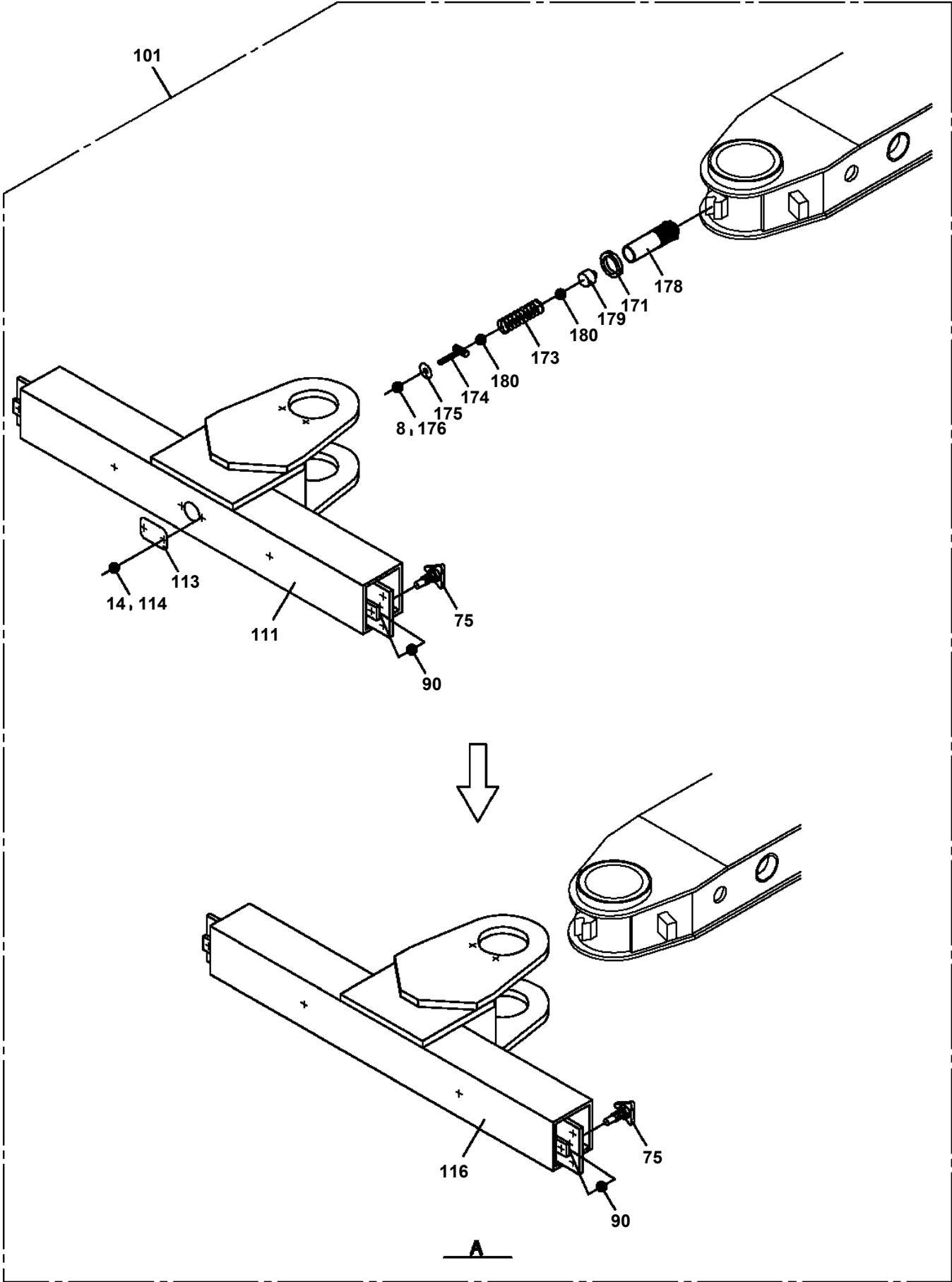
OC-200M-1-20700 LOWER,MITSUBISHI KC-FV502PY

Pos No.	Parts No	Parts Name	Qty	Unit	Technical Data	Serial No (Start)	Serial No (End)	Remarks	Pages
1	32731751000	SUPPORT	2						
2	32731692001	HANDLE	2						
3	32731692100	HANDLE	2						

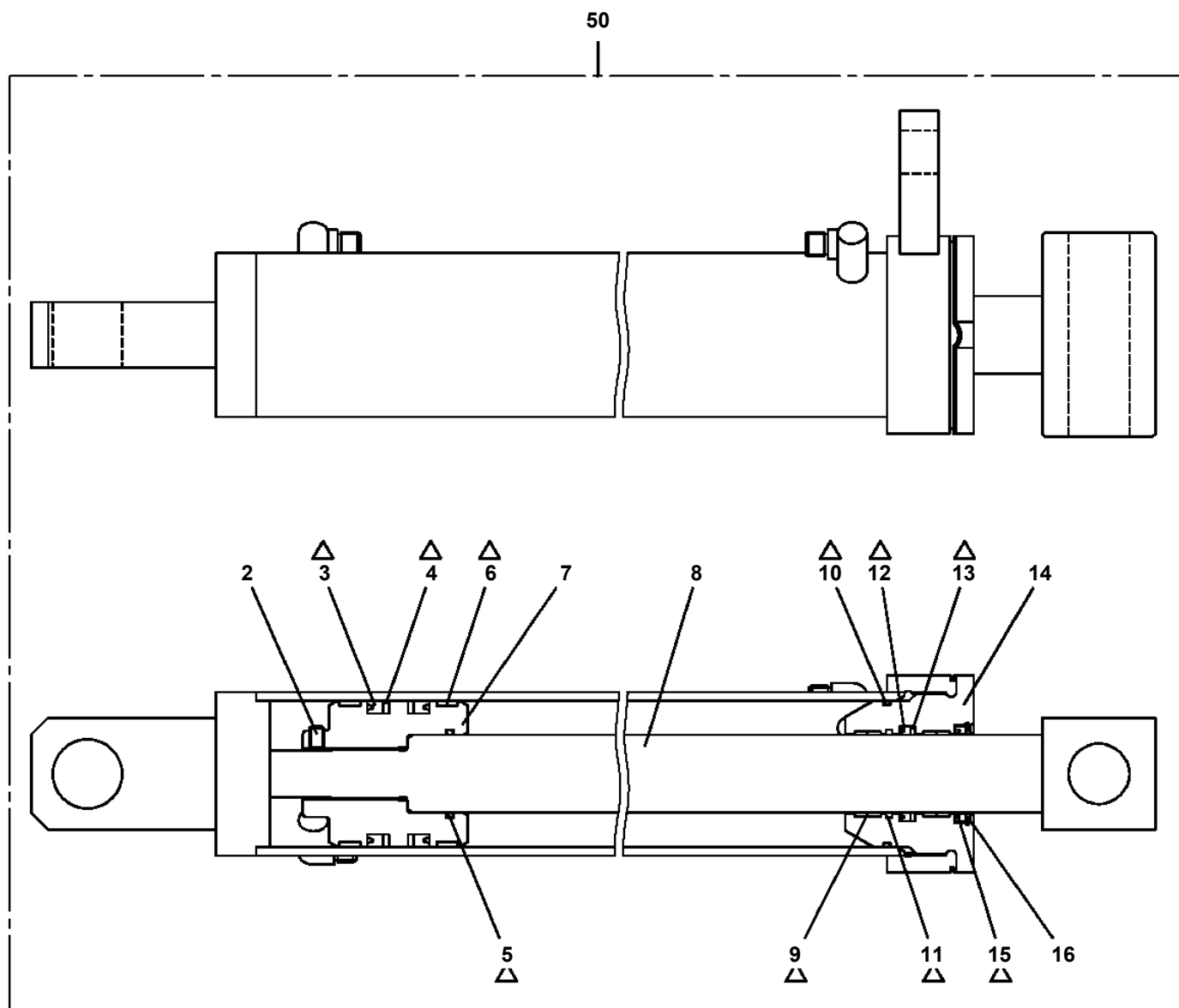
OC-200M-1-20700 LOWER,MITSUBISHI KC-FV502PY

Pos No.	Parts No	Parts Name	Qty	Unit	Technical Data	Serial No (Start)	Serial No (End)	Remarks	Pages
1	32891085010	HARNESS	1						000031
2	91810132530	FASTENER	7						
3	82165904080	LAMP	2						
4	37000705910	CLAMP ASSY	15		D=8				
5	90101212025	BOLT	2		M12X25				
6	90201201200	NUT	2		M12				
7	90302041201	WASHER,SPRING	2		12				

OC-200M-1-20700 LOWER, MITSUBISHI KC-FV502PY
PY3200005-05 WRECKING FORK



OC-200M-1-20700 LOWER, MITSUBISHI KC-FV502PY
PY3340001-01 CYLINDER, FORK SLIDE (FOR TOP)



△: PACKING SET KEY NO.30 (KEY NO.3,4,5,6,9,10,11,12,13,15)

CLICK HERE TO **DOWNLOAD** THE COMPLETE MANUAL

- Thank you very much for reading the preview of the manual.
- You can download the complete manual from: www.heydownloads.com by clicking the link below



- Please note: If there is no response to CLICKING the link, please download this PDF first and then click on it.

CLICK HERE TO **DOWNLOAD** THE COMPLETE MANUAL