

OC-160M-1-11100 LOWER,NISSAN KC-CW55APH

PB1000325-01 HYDRAULIC PRESSURE GENERATING SYSTEM

PC1000256-01 OUTRIGGER SYSTEM

PF1000286-01 WINCH SYSTEM

PH1000267-00 SAFETY DEVICES

PK1000317-00 FRAME

PL1000317-01 CONTROL DEVICES

PN1000237-00 ELECTRIC EQUIPMENT

PO1000144-01 INDICATION PLATES

PQ1000097-00 DRIVING POWER GENERATING SYSTEM

PV1000054-01 REMOTE CONTROL SYSTEM

PW1000028-00 ACCESSORIES & TOOLS

PX1000153-00 MOUNTING PARTS

PY1000278-01 OPTIONS

ASSEMBLY

CLICK HERE TO **DOWNLOAD** THE COMPLETE MANUAL

- Thank you very much for reading the preview of the manual.
- You can download the complete manual from: www.heydownloads.com by clicking the link below



- Please note: If there is no response to CLICKING the link, please download this PDF first and then click on it.

CLICK HERE TO **DOWNLOAD** THE COMPLETE MANUAL

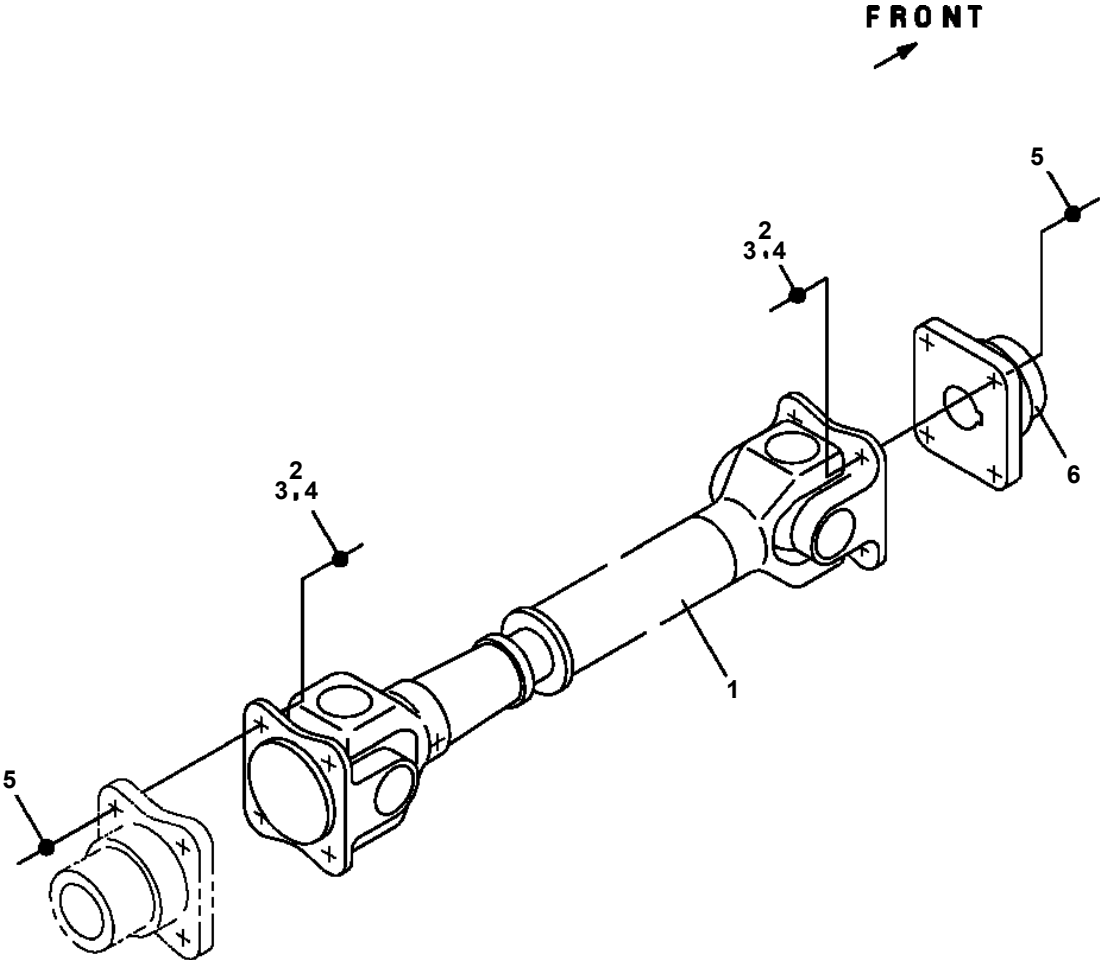
OC-160M-1-11100 LOWER,NISSAN KC-CW55APH

Pos No.	Parts No	Parts Name	Qty	Unit	Technical Data	Serial No (Start)	Serial No (End)	Remarks	Pages
1	(*****)	FRAME	1						000053

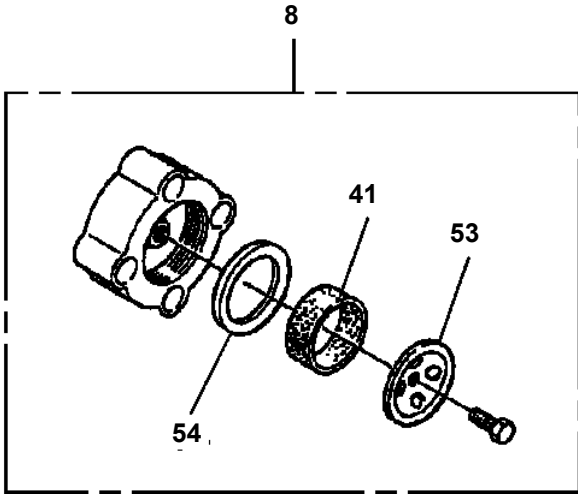
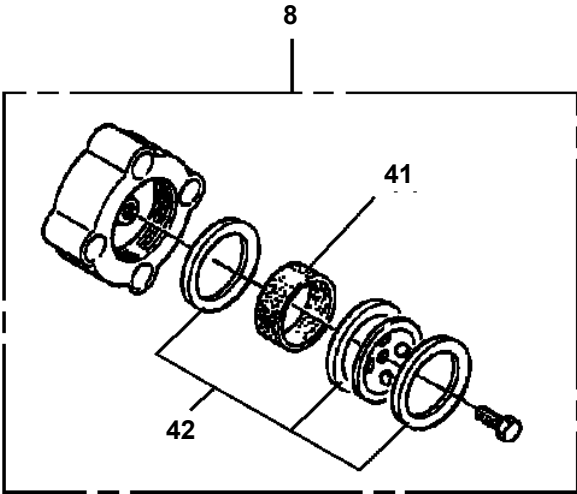
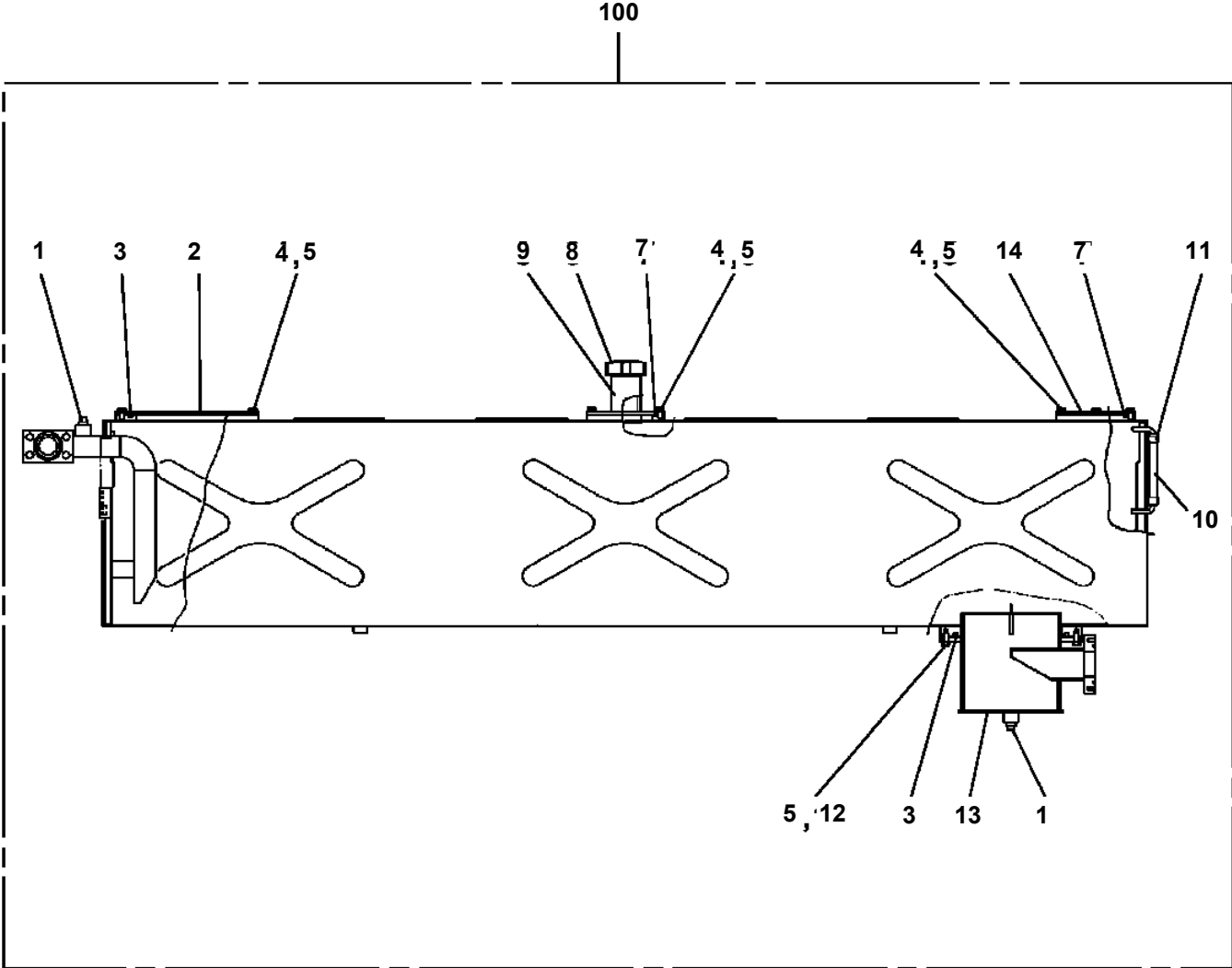
OC-160M-1-11100 LOWER,NISSAN KC-CW55APH

Pos No.	Parts No	Parts Name	Qty	Unit	Technical Data	Serial No (Start)	Serial No (End)	Remarks
1	32731640000	SWITCH BOX	1					
2	(*****)	STOWING BOX (OPTION)	1					

**OC-160M-1-11100 LOWER,NISSAN KC-CW55APH
PB1070265-00 PROPELLER SHAFT,PUMP**

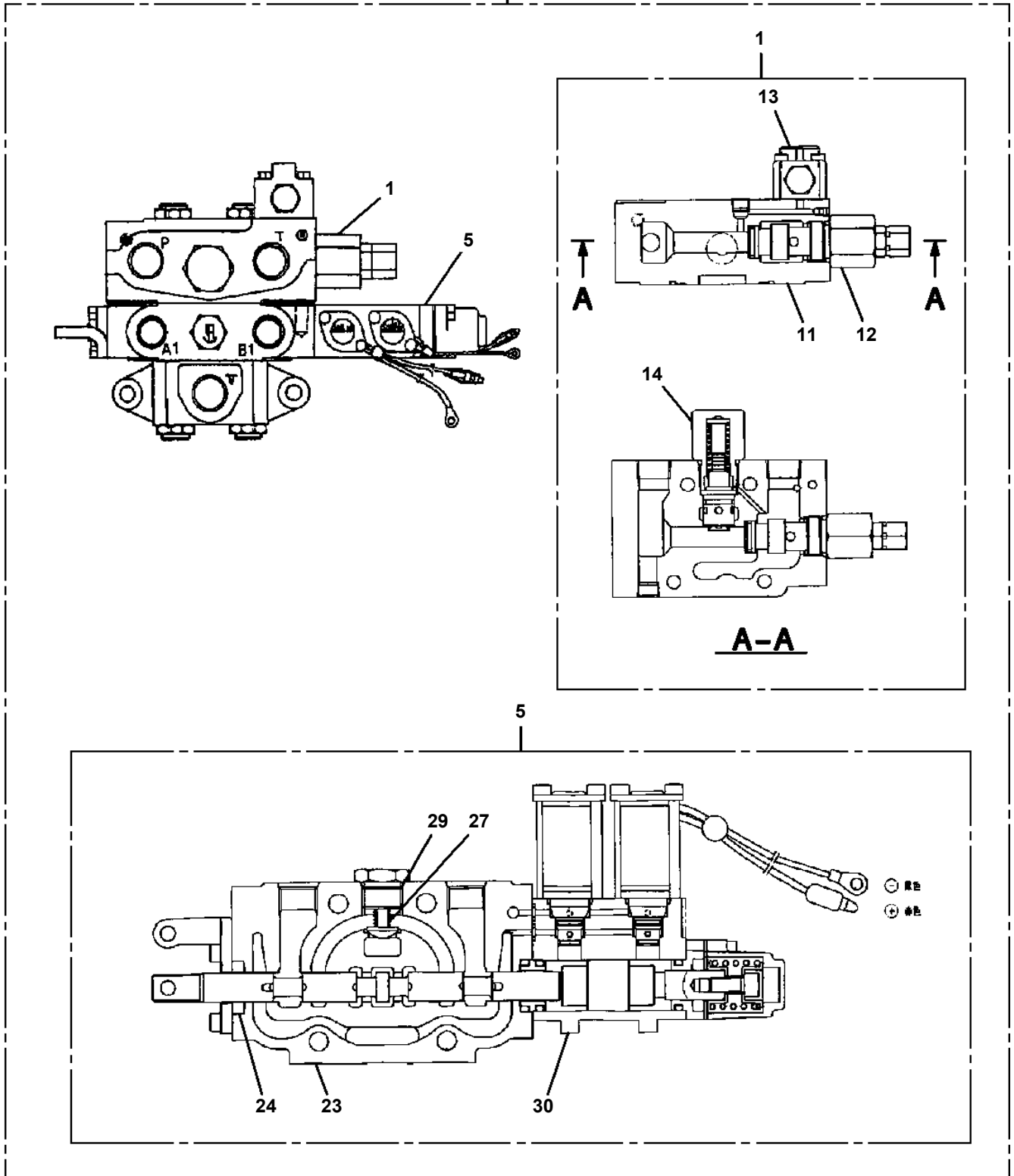


OC-160M-1-11100 LOWER,NISSAN KC-CW55APH
PB1130259-01 TANK,OIL



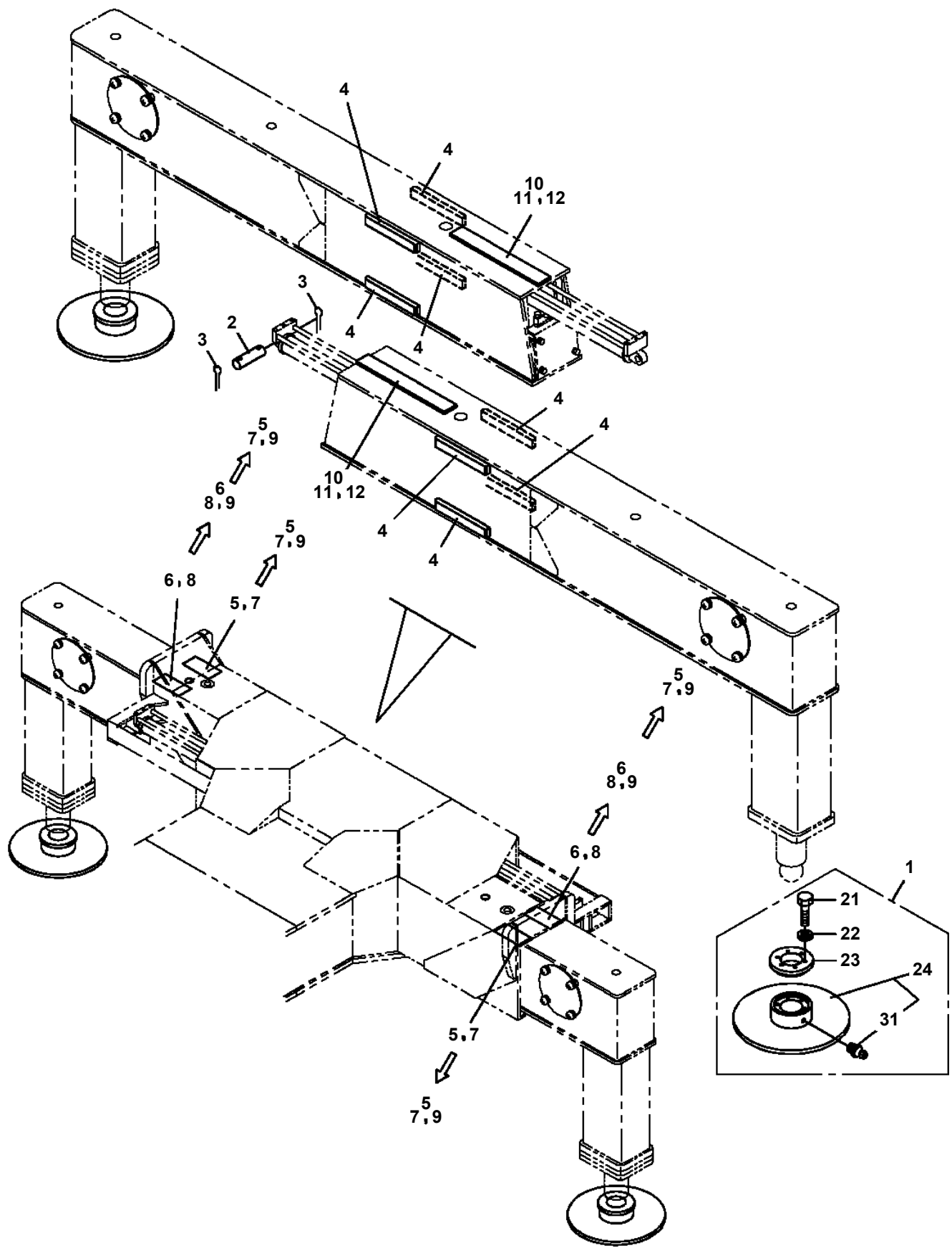
OC-160M-1-11100 LOWER,NISSAN KC-CW55APH
 PB1340037-01 VALVE,SOLENOID CONTROL

200



展開圖有
 ILLUSTRATED BREAKDOWN NO. 11, 12, 13, 14, 30

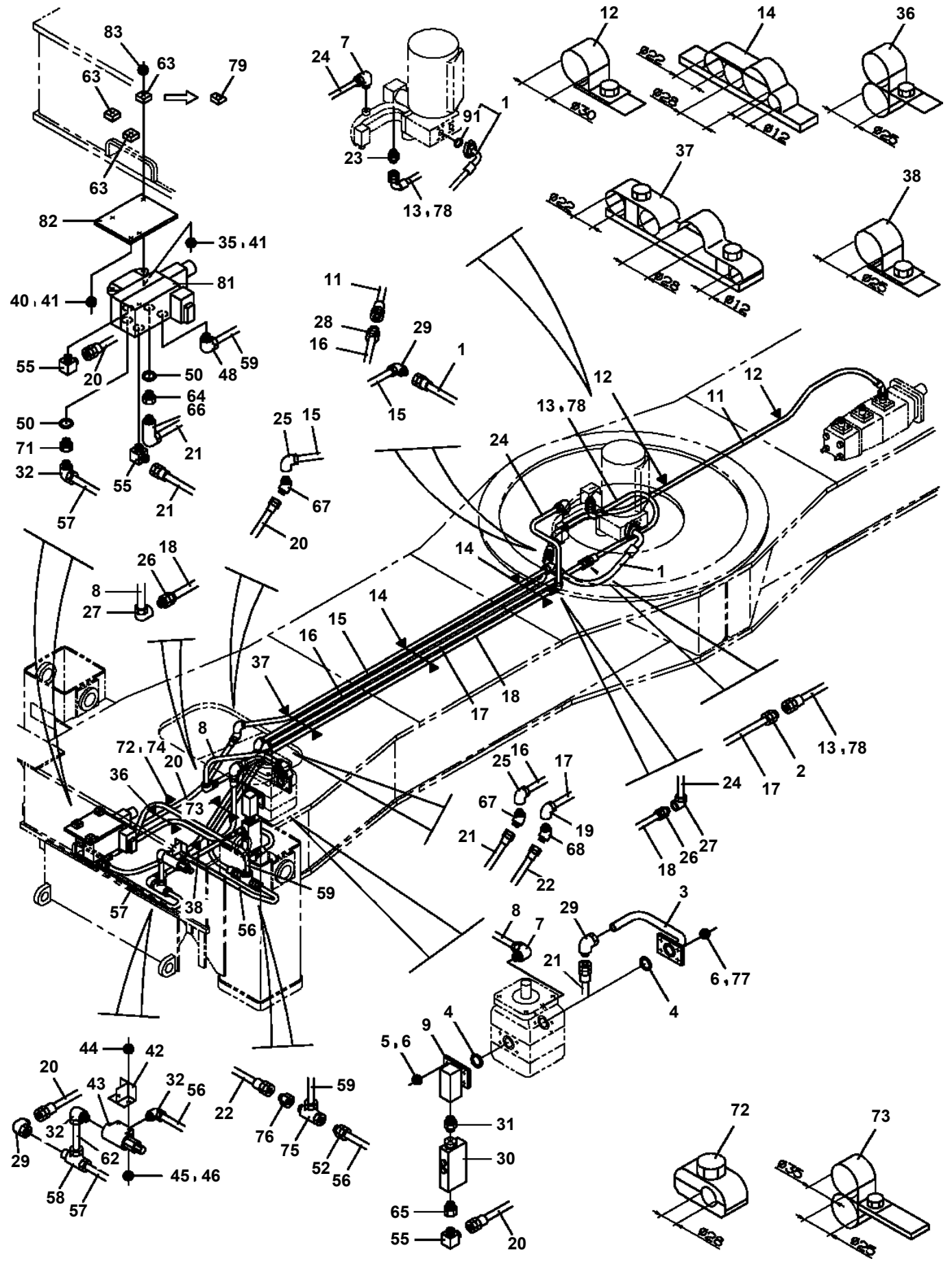
OC-160M-1-11100 LOWER,NISSAN KC-CW55APH
PC1010124-01 OUTRIGGER (FRONT,FLOAT)



OC-160M-1-11100 LOWER,NISSAN KC-CW55APH

Pos No.	Parts No	Parts Name	Qty	Unit	Technical Data	Serial No (Start)	Serial No (End)	Remarks	P
1	36041001000	CYLINDER	1						
2	90272102000	NUT	1		M20		325466		
	90201202000	NUT	1		M20	325467			
3	91100105500	RING,SEAL	1						
4	36040020301	PISTON	1						
5	36041002000	ROD	1						
6	36040020502	COVER,ROD	1						
7	91002804801	O-RING	1		1B P48A				
8	91694003500	PACKING	1						
9	91410203501	RING,BACKUP	1						
10	36040020600	WASHER	1						
11	91660003501	SEAL,DUST	1						
30	36041000000	CYLINDER,EXTENSION	1						
41	36040079901	PACKING SET	1		35X55				

**OC-160M-1-11100 LOWER,NISSAN KC-CW55APH
PF1200201-01 PIPING,WINCH (OPTION,REAR)**



CLICK HERE TO **DOWNLOAD** THE COMPLETE MANUAL

- Thank you very much for reading the preview of the manual.
- You can download the complete manual from: www.heydownloads.com by clicking the link below



- Please note: If there is no response to CLICKING the link, please download this PDF first and then click on it.

CLICK HERE TO **DOWNLOAD** THE COMPLETE MANUAL

OC-160M-1-11100 LOWER,NISSAN KC-CW55APH

Pos No.	Parts No	Parts Name	Qty	Unit	Technical Data	Serial No (Start)	Serial No (End)	Remarks	Pages
100	32730612110	HARNESS	1						

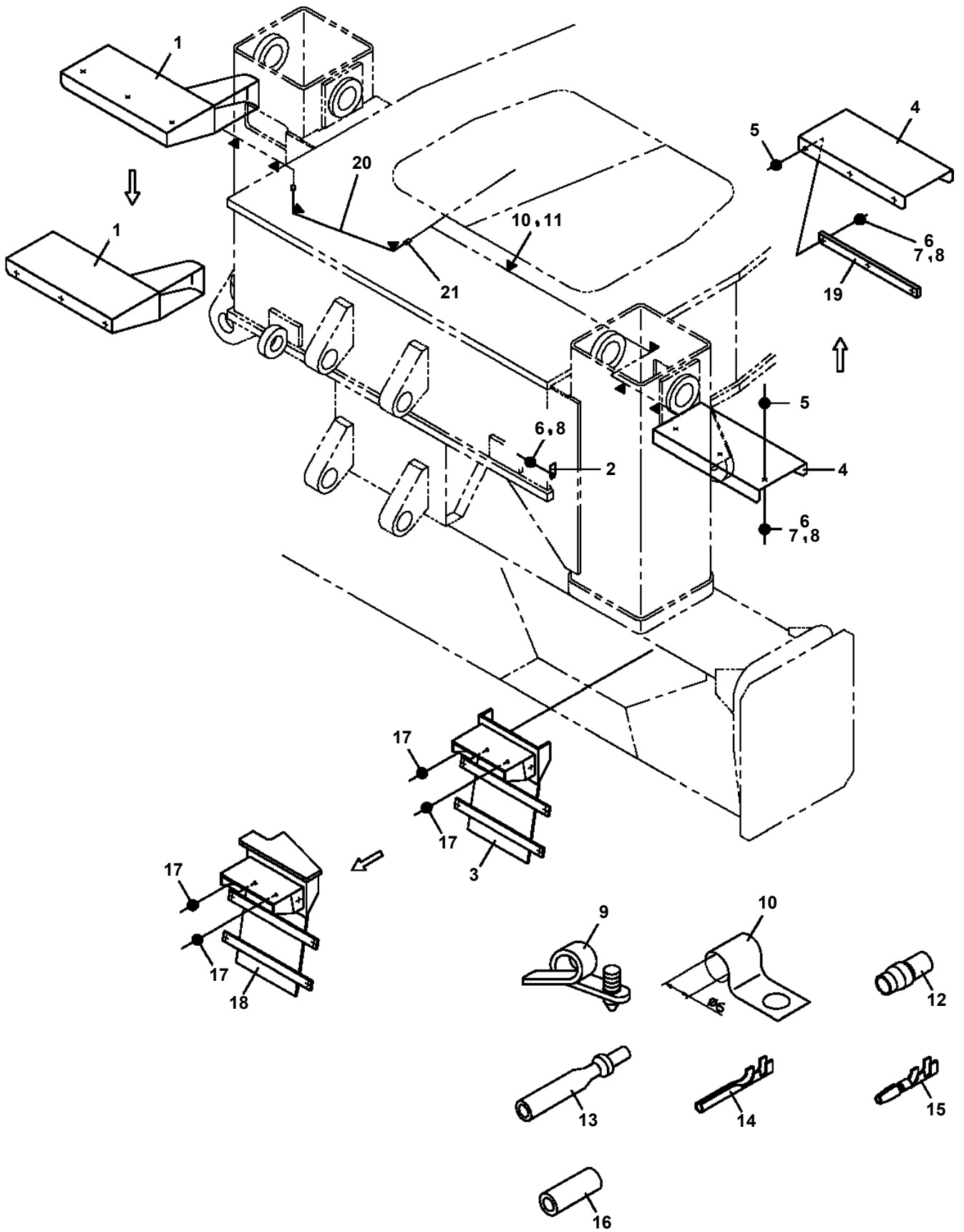
OC-160M-1-11100 LOWER,NISSAN KC-CW55APH

Pos No.	Parts No	Parts Name	Qty	Unit	Technical Data	Serial No (Start)	Serial No (End)	Remarks	Pa
2	36630295020	VALVE,RELIEF	1						
3	36630365030	SPRING	1						
4	91002801800	O-RING	1		1B P18				
5	91002802600	O-RING	1		1B P26				
6	91002801100	O-RING	1		1B P11				
10	16025153020	SPRING	1						
11	36630045200	SCREW (ADJUSTING)	1		M10X25				
12	36630295130	NUT,CAP	1						
13	36630045220	NUT	1		M10				
14	91001001600	O-RING	2		1A S16				
16	91002802100	O-RING	1		1B P21				
20	36600260000	VALVE,RELIEF	1						

OC-160M-1-11100 LOWER,NISSAN KC-CW55APH

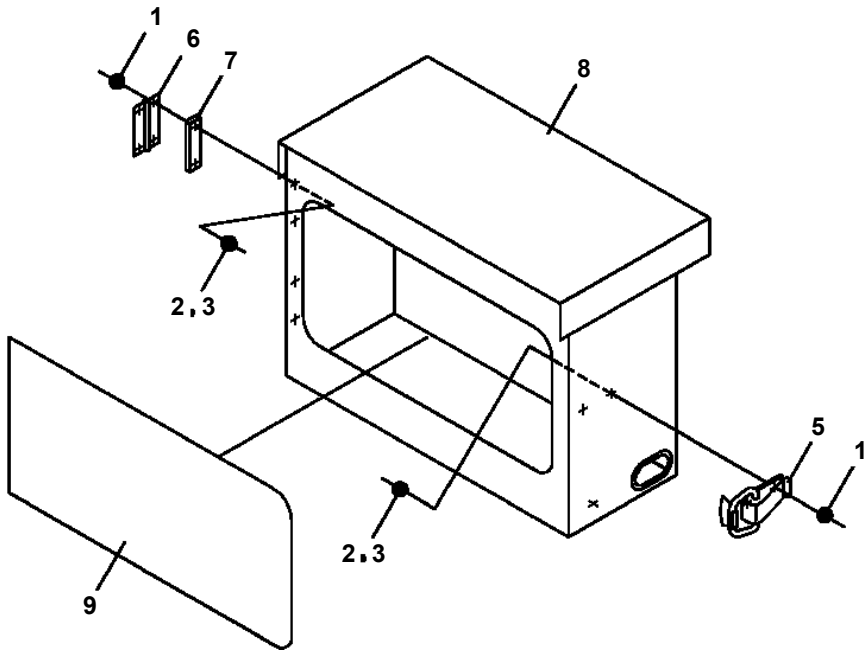
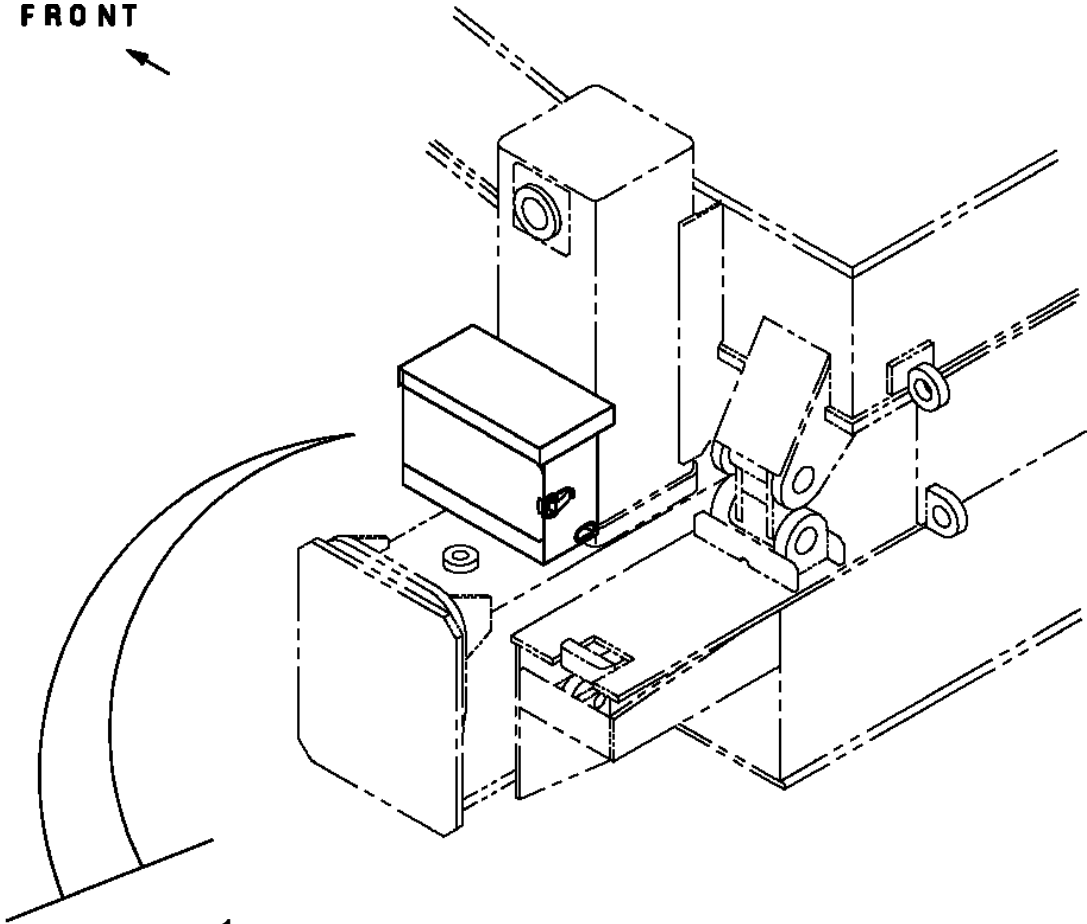
Pos No.	Parts No	Parts Name	Qty	Unit	Technical Data	Serial No (Start)	Serial No (End)	Remarks
2	53259501010	VALVE	1					
4	53259501020	SPRING	1					
5	53259501030	ELEMENT	1					
6	90101210020	BOLT	1		M10X20			
7	53259501040	WASHER	1					
8	91001213500	O-RING	1		1A G135			
9	90131512040	BOLT,HEXAGON SOCKET	4		M12X40			
20	53259501000	FILTER,OIL	1					

OC-160M-1-11100 LOWER,NISSAN KC-CW55APH
PN1010363-01 ELECTRICAL ACCESSORIES

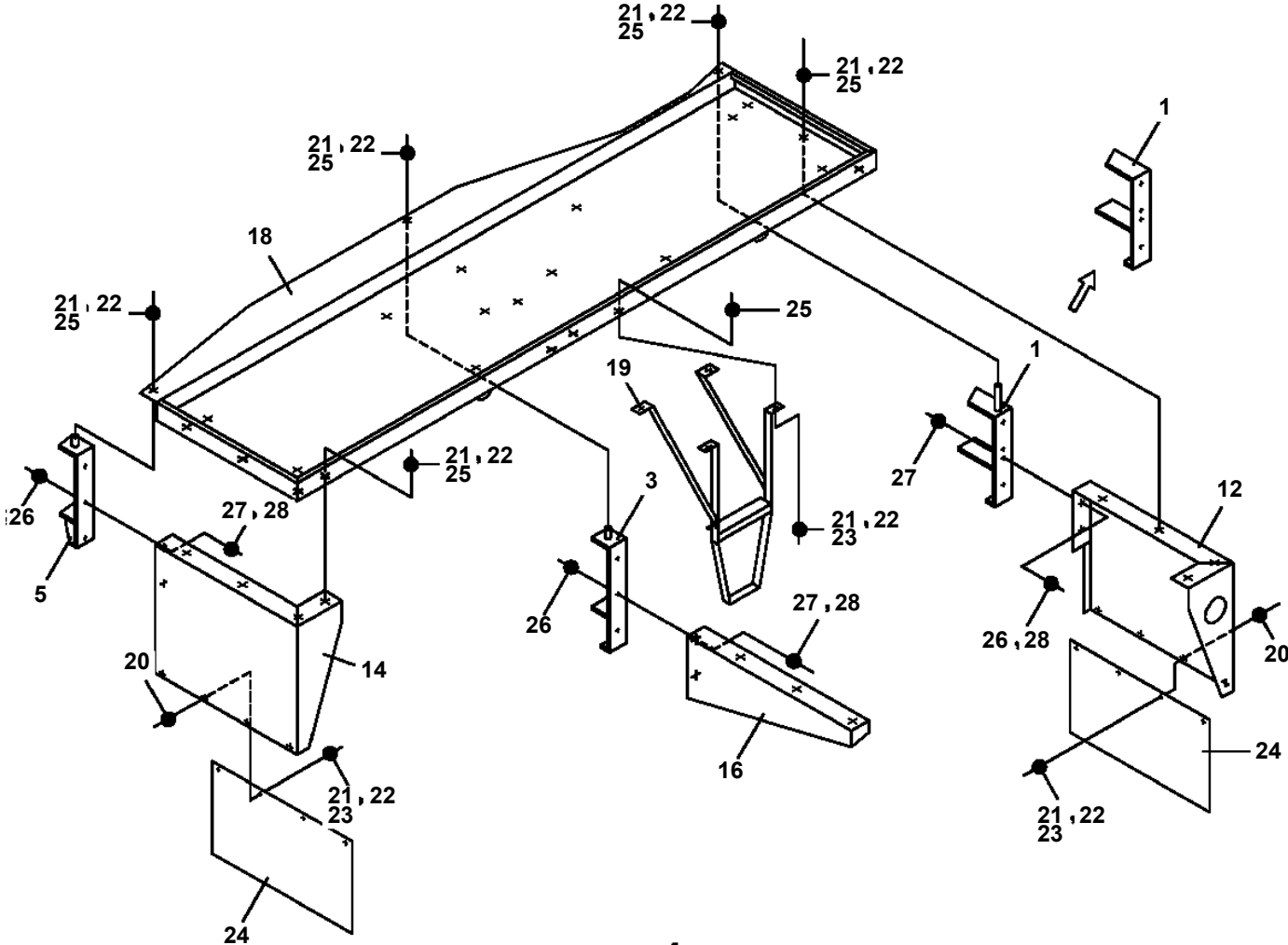


OC-160M-1-11100 LOWER,NISSAN KC-CW55APH
PV1250001-01 STOWING BOX (OPTION)

FRONT

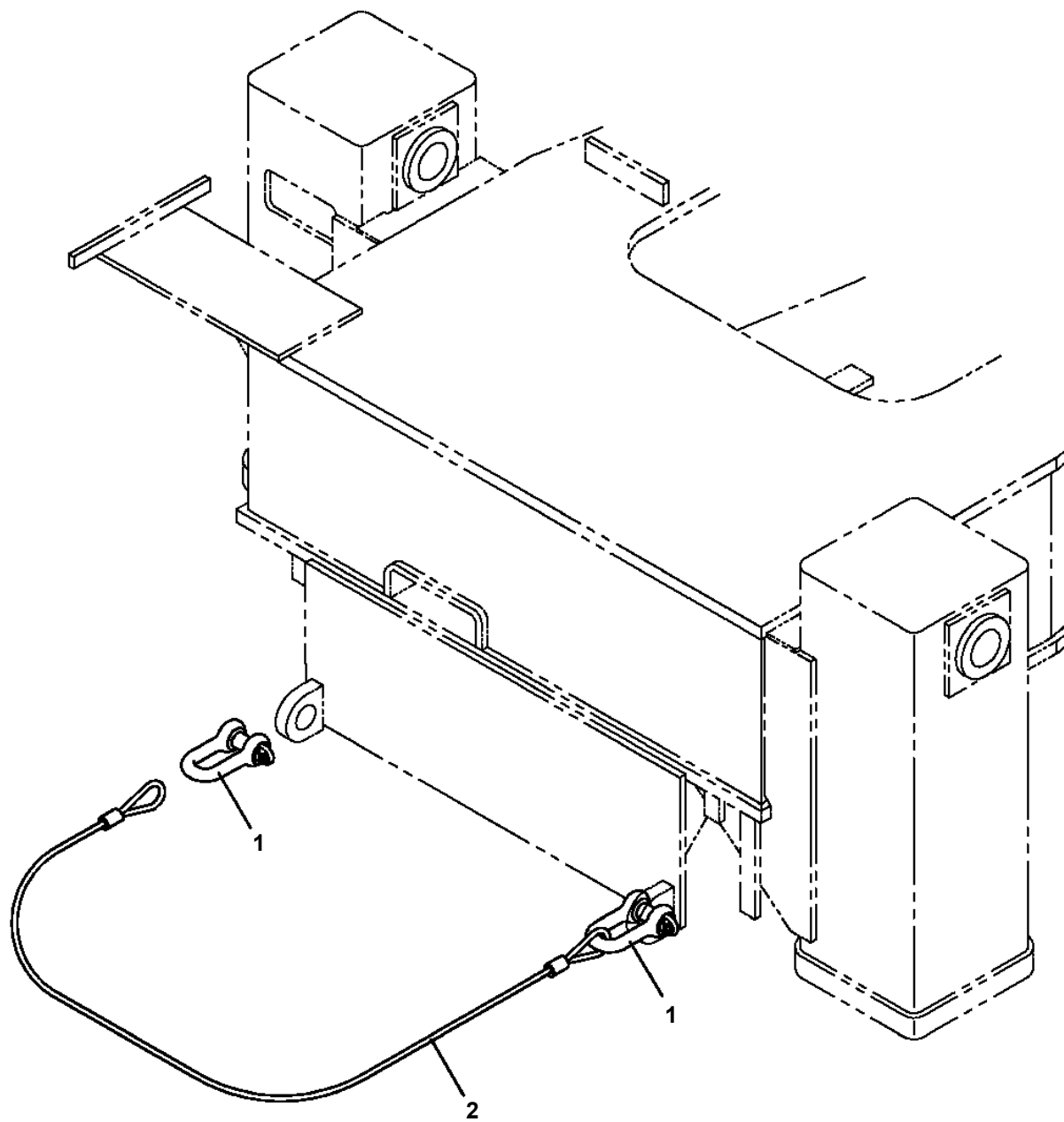


OC-160M-1-11100 LOWER,NISSAN KC-CW55APH
PX1030285-00 FENDER (STD)

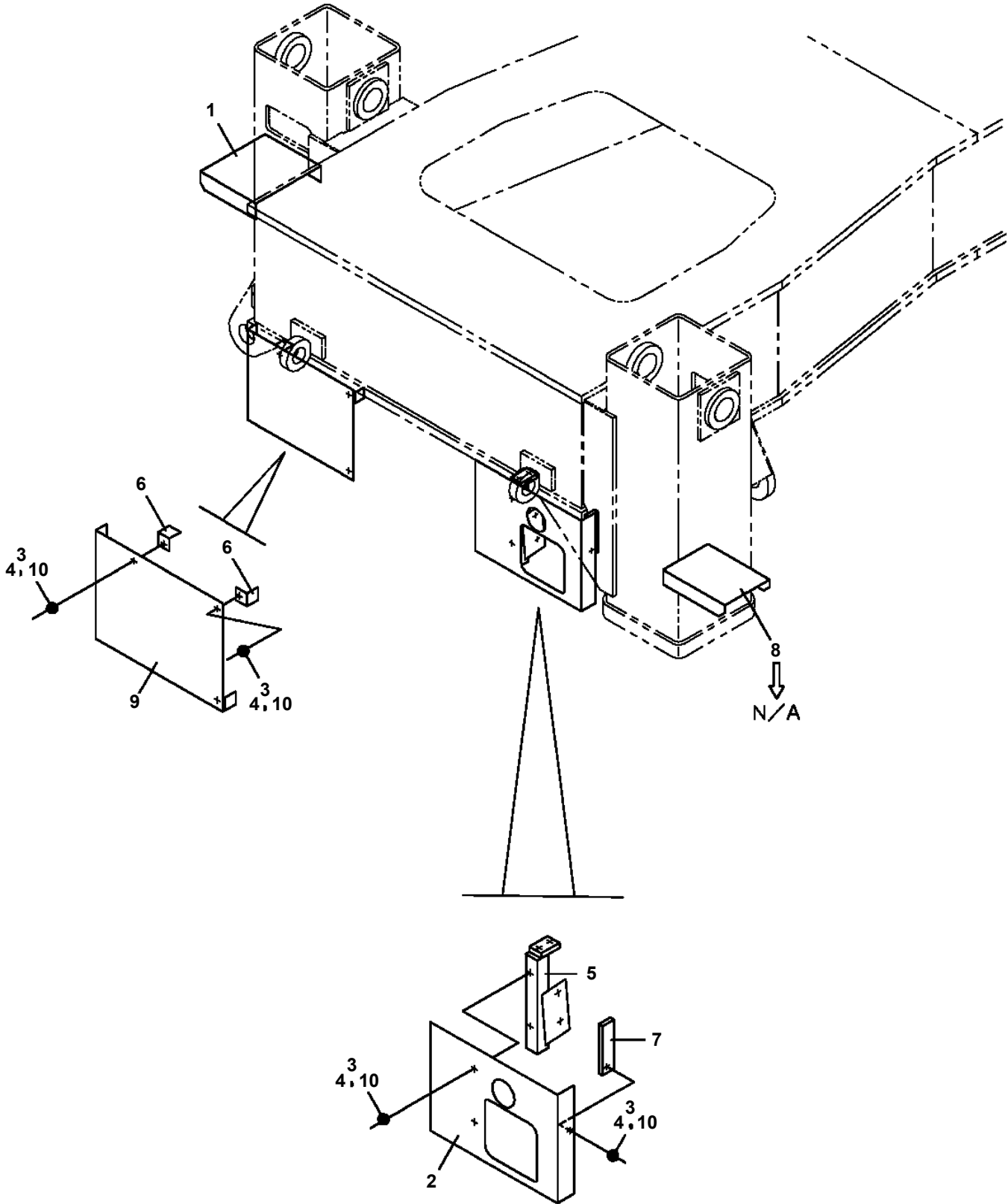


A

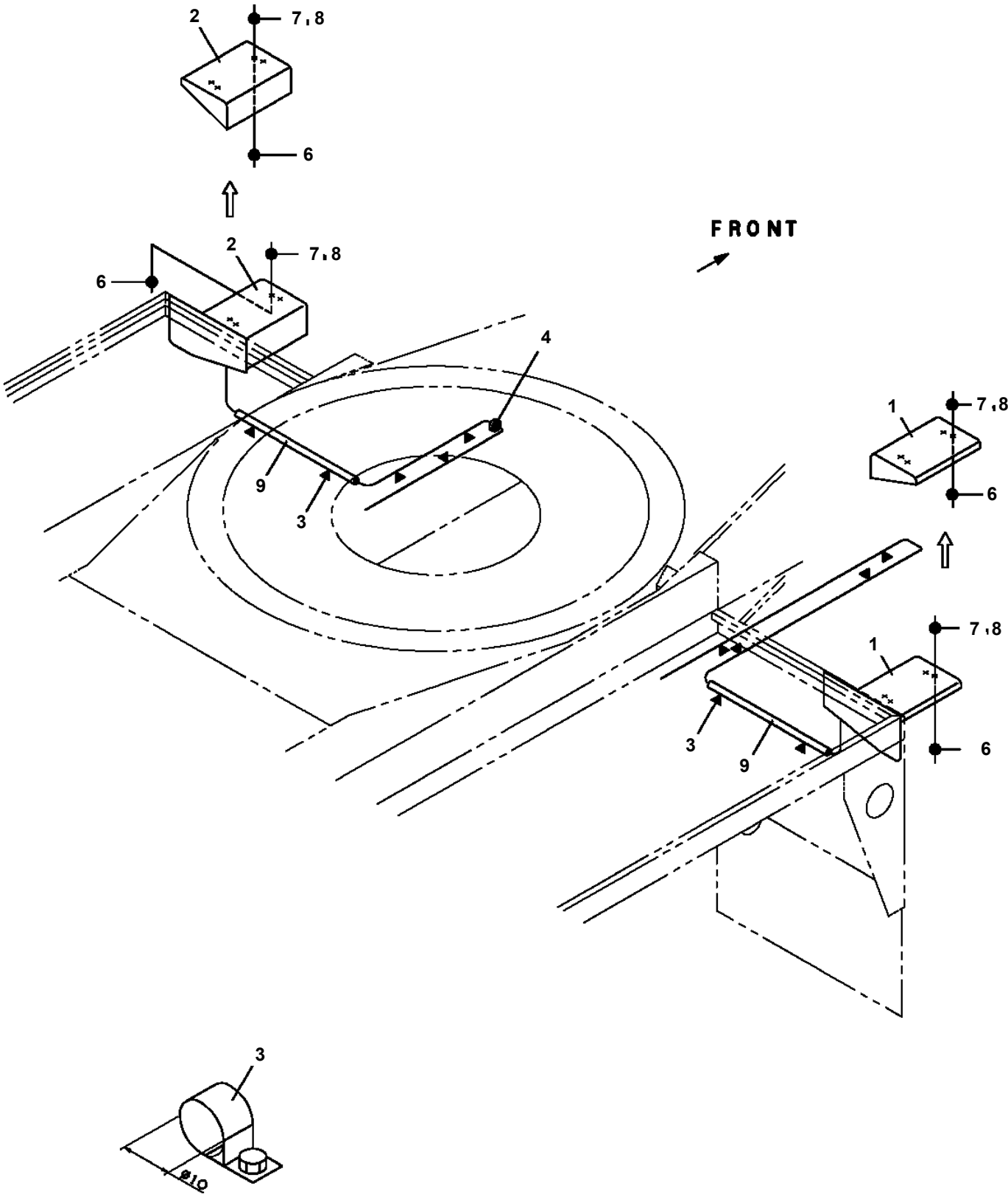
**OC-160M-1-11100 LOWER,NISSAN KC-CW55APH
PX1180064-00 MOUNT,HOOK**



**OC-160M-1-11100 LOWER,NISSAN KC-CW55APH
PX1250106-01 COVER (WITH REAR WINCH)**



**OC-160M-1-11100 LOWER,NISSAN KC-CW55APH
PX1380011-00 LAMP SUPPORT (SIDE WINKER)**



CLICK HERE TO **DOWNLOAD** THE COMPLETE MANUAL

- Thank you very much for reading the preview of the manual.
- You can download the complete manual from: www.heydownloads.com by clicking the link below



- Please note: If there is no response to CLICKING the link, please download this PDF first and then click on it.

CLICK HERE TO **DOWNLOAD** THE COMPLETE MANUAL