

# **OC-160M-2-30700 LOWER,HINO U-FS3FRBA**

**PB1000319-01 HYDRAULIC PRESSURE GENERATING SYSTEM**

**PH1000263-00 SAFETY DEVICES**

**PL1000310-01 CONTROL DEVICES**

**PN1000235-01 ELECTRIC EQUIPMENT**

**PO1000144-01 INDICATION PLATES**

**PQ1000096-00 DRIVING POWER GENERATING SYSTEM**

**PW1000028-00 ACCESSORIES & TOOLS**

**PX1000322-01 MOUNTING PARTS**

**PY1000274-01 OPTIONS**

**ASSEMBLY**

CLICK HERE TO **DOWNLOAD** THE COMPLETE MANUAL

- Thank you very much for reading the preview of the manual.
- You can download the complete manual from: [www.heydownloads.com](http://www.heydownloads.com) by clicking the link below



- Please note: If there is no response to CLICKING the link, please download this PDF first and then click on it.

CLICK HERE TO **DOWNLOAD** THE COMPLETE MANUAL

# OC-160M-2-30700 LOWER,HINO U-FS3FRBA

Pos No.	Parts No	Parts Name	Qty	Unit	Technical Data	Serial No (Start)	Serial No (End)	Remarks
1	(*****)	PLATE,INDICATION	1					
2	(*****)	PLATE ASSY,NAME (OPTION)	1					
	(*****)	PLATE ASSY,NAME (OPTION)	1					
	(*****)	PLATE ASSY,NAME (OPTION)	1					

# OC-160M-2-30700 LOWER,HINO U-FS3FRBA

Pos No.	Parts No	Parts Name	Qty	Unit	Technical Data	Serial No (Start)	Serial No (E
3	(*****)	OPERATION SYSTEM, CONTROL VALVE	1				
	(*****)	OPE.ASSY,CONT.VALVE	1				
	(*****)	OPERATION SYSTEM, CONTROL VALVE	1				
4	(*****)	OPE.ASSY,ACCELERATOR	1				
5	(*****)	OPERATION SYSTEM, ACCELERATOR	1				
6	(*****)	REMOTE CONTROL SYSTEM	1				
7	(*****)	REMOTE CONTROL SYSTEM	1				
	(*****)	REMOTE CONTROL SYSTEM	1				
9	(*****)	ELEC.ASSY	1				
	(*****)	ELECTRICAL ACCESSORIES	1				
10	(*****)	PIPING,HYDRAULIC	1				
	(*****)	PIPING,HYDRAULIC	1				
11	(*****)	PIPING,HYDRAULIC	1				
	(*****)	PIPING,HYDRAULIC	1				
12	(*****)	PIPING,HYDRAULIC	1				
13	(*****)	WRECKING FORK	1				
	(*****)	WRECKING FORK	1				
15	(*****)	AXLE ATTACHMENT INSTALLATION	1				
16	(*****)	TOWING DEVICE	1				
	(*****)	TOWING DEVICE	1				
17	(*****)	FRAME ATTACHMENT	1				
18	(*****)	FRAME ATTACHMENT INSTALLATION	1				
	(*****)	FRAME ATTACHMENT INSTALLATION	1				
19	(*****)	MOUNT,RUBBER	1				
20	(*****)	ADJUSTER,FORK	1				
21	32730990000	WRECKING WINCH	2				
22	83152312200	SHACKLE	1				

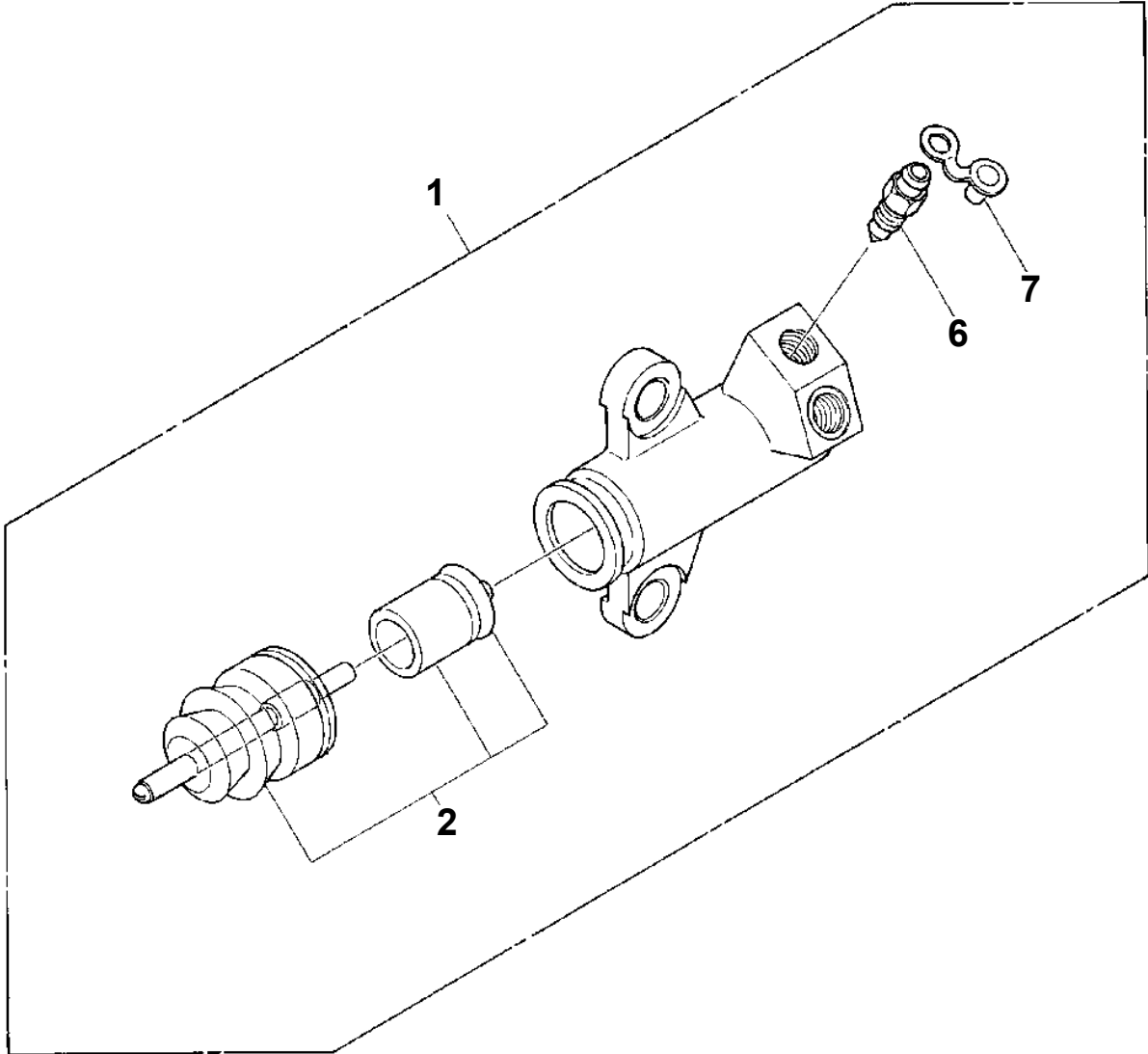
# OC-160M-2-30700 LOWER,HINO U-FS3FRBA

Pos No.	Parts No	Parts Name	Qty	Unit	Technical Data	Serial No (Start)	Serial No (End)	Rema
1	80316080060	PLUG	2					
2	36101021000	JOINT	1					
3	91001221000	O-RING	2		1A G210			
4	90101508016	BOLT	14		M8X16			
5	90302040801	WASHER,SPRING	22		8			
6	36101022001	TANK	1					
7	91001211000	O-RING	2		1A G110			
8	53156005000	BREATHER ASSY (OB-10T)	1					
9	53256552000	COVER	1					
10	37002510350	HOSE (L=140/PVC)	1					
11	91801300150	CLIP	2		D=13-15			
12	90101508020	BOLT	8		M8X20			
13	36101023000	CASE	1					
14	36100930100	COVER	1					
31	53156005010	ELEMENT (OB-10T & OB-10B)	1					
32	53156005020	PACKING SET	1				325542	
100	36101026000	TANK,OIL	1					

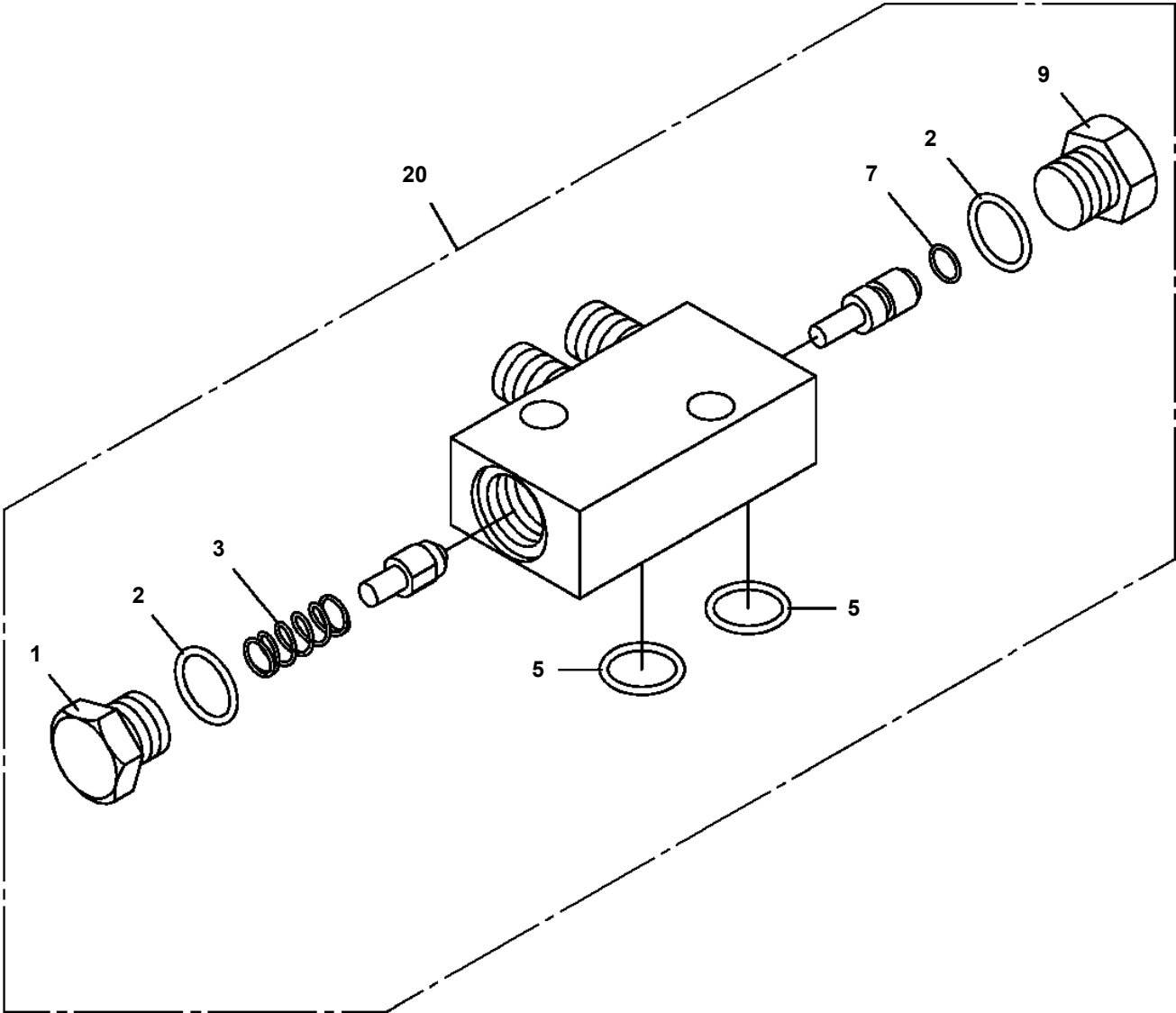
# OC-160M-2-30700 LOWER,HINO U-FS3FRBA

Pos No.	Parts No	Parts Name	Qty	Unit	Technical Data	Serial No (Start)	Serial No (End)	Remarks
1	32640563200	JOINT	1					
2	32640583040	PLATE	2					
3	90101210025	BOLT	4		M10X25			
4	90201201000	NUT	4		M10			
5	90302041001	WASHER,SPRING	14		10			
6	80315020200	JOINT,BUSHING	1					
7	80307010241	FITTING	1					
8	80301010241	FITTING	2		KUA28-000N			
9	37000711060	CLAMP ASSY	1		28X1			
10	37000524350	PLATE	1					
11	81408000341	PIPE,STEEL	1	M	28X3.1T			
12	37000704400	CLAMP ASSY	2					
13	37000700820	CLAMP ASSY	5					
14	32640563010	CUSHION	6					
15	37002500330	HOSE	1		L=1470			
16	91803600700	CLIP	8		D=55-70			
17	37002507480	HOSE	1					
18	91803600350	CLIP	8		D=25-35			
19	32640763100	JOINT	1					
20	37000543140	PLATE	1					
21	90101208020	BOLT	2		M8X20			
22	90302040801	WASHER,SPRING	2		8			
23	91810130270	FASTENER	4					
24	80316080120	PLUG	1					
25	37002501950	HOSE	1		L=2800			
26	37002508300	HOSE	1		L=2900			
27	32640443401	FITTING,FLANGE	1					
28	91001205000	O-RING	1		1A G50			
29	91001203000	O-RING	1		1A G30			
30	91001202500	O-RING	1		1A G25			
31	90131510035	BOLT,HEXAGON SOCKET	6		M10X35			
32	37000706230	CLAMP ASSY	1					
33	80316080040	PLUG	1		SBP1/4			
34	80315060120	JOINT,BUSHING	1					
35	80303030280	FITTING,ELBOW	1		KLN22			
36	81408000341	PIPE,STEEL	1	M	28X3.1T			
37	37000901341	JOINT	1					
38	91002801800	O-RING	1		1B P18			
39	37002502170	HOSE	1		L=850			
40	91803600900	CLIP	4		D=70-90			
41	37000543110	PLATE	4					
42	32640763200	JOINT	1					
43	32640763300	JOINT	1					
44	90131512030	BOLT,HEXAGON SOCKET	4		M12X30			
46	36671720000	FILTER,OIL	1					
47	32640583500	SUPPORT	1					
48	90131510025	BOLT,HEXAGON SOCKET	4		M10X25			
49	82100002017	CLAMP	4		WR30			
50	82100002535	TUBE,SPIRAL	1	M	SE-29BK			
51	37000512160	PLATE	1					

**OC-160M-2-30700 LOWER,HINO U-FS3FRBA  
PI1070010-01 CYLINDER,CONTROL**



OC-160M-2-30700 LOWER,HINO U-FS3FRBA  
PI1280028-00 VALVE,PILOT CHECK



# OC-160M-2-30700 LOWER,HINO U-FS3FRBA

Pos No.	Parts No	Parts Name	Qty	Unit	Technical Data	Serial No (Start)	Serial No (End)	Remarks	Pages
1	53281565000	SUPPORT	1						
2	32650791100	SUPPORT	1						
4	53281567000	SUPPORT	1						
5	90101208040	BOLT	4		M8X40				
6	90201200800	NUT	4		M8				
7	90302040801	WASHER,SPRING	15		8				
8	90303070801	WASHER,PLAIN	15		8				
9	82100001173	CLAMP ASSY	22		L=65				
10	82100000207	CLAMP	10						
11	90441340060	SCREW,TAPPING	10		M4X6				
12	82100000182	INSULATOR	10						
13	82100000183	INSULATOR	10						
14	82100000191	TERMINAL	10						
15	82100000192	TERMINAL	10						
16	53283500010	TUBE	5	M					
17	90303070501	WASHER,PLAIN	2		5				
18	32650791200	COVER	1						
19	32650791300	COVER	1						
20	90101208020	BOLT	11		M8X20				
21	37000508890	PLATE	1						
22	32650621200	HARNESS	1						
23	82100001735	SLEEVE	10						
24	32650831200	SUPPORT	1						
25	32650831300	COVER	1						

# OC-160M-2-30700 LOWER,HINO U-FS3FRBA

Pos No.	Parts No	Parts Name	Qty	Unit	Technical Data	Serial No (Start)	Serial No (End)	Remarks
1	12117140000	PLATE,NAME (GREASE)	7					
2	56570001000	PLATE,NAME	1					
3	32730567410	PLATE,NAME	1					
4	32730567420	PLATE,CAUTION	2					
5	32730567430	PLATE,NAME (A)	2					
6	32730567440	PLATE,NAME (B)	2					
7	32731373030	PLATE,CAUTION	1					
8	32730764100	PLATE,NAME	2					
9	32730764200	PLATE,CAUTION	2					

# OC-160M-2-30700 LOWER,HINO U-FS3FRBA

Pos No.	Parts No	Parts Name	Qty	Unit	Technical Data	Serial No (Start)	Serial No (End)	Remarks	Pages
2	82100000689	FUSE	2		3A,6.5X30				
3	37002403770	HOSE (GREASE)	1						

CLICK HERE TO **DOWNLOAD** THE COMPLETE MANUAL

- Thank you very much for reading the preview of the manual.
- You can download the complete manual from: [www.heydownloads.com](http://www.heydownloads.com) by clicking the link below



- Please note: If there is no response to CLICKING the link, please download this PDF first and then click on it.

CLICK HERE TO **DOWNLOAD** THE COMPLETE MANUAL

# OC-160M-2-30700 LOWER,HINO U-FS3FRBA

Pos No.	Parts No	Parts Name	Qty	Unit	Technical Data	Serial No (Start)	Serial No (End)	Remarks	Pages
1	36101020001	TANK,OIL	1						000013
2	53256507000	PLATE	2						
3	53256502000	BAND	2						
4	32660080100	PLATE	4						
5	37000104670	PIN	2						
6	80136332025	PIN,SPLIT	4		3.2X25				
7	53256504000	PLATE	4						
8	32660120100	SUPPORT	2						
9	90201201200	NUT	4		M12				
10	32660120200	SUPPORT	1						

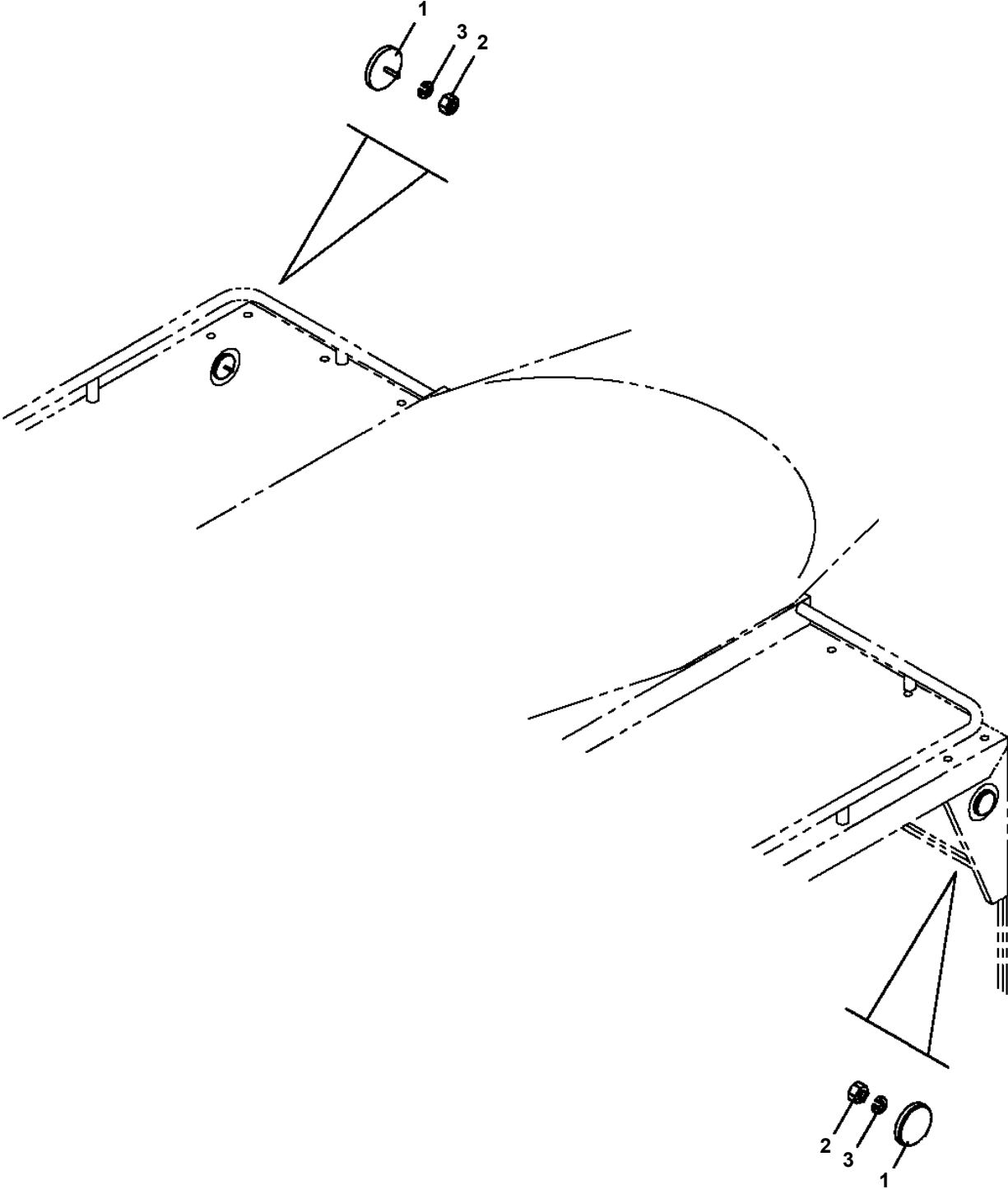
# OC-160M-2-30700 LOWER,HINO U-FS3FRBA

Pos No.	Parts No	Parts Name	Qty	Unit	Technical Data	Serial No (Start)	Serial No (End)	Remarks	Pages
1	32830261000	SUPPORT	1						
2	90101518100	BOLT	1		M18X100				
3	90201401800	NUT	2		M18				
4	90302041801	WASHER,SPRING	3		18				
5	90101518060	BOLT	1		M18X60				
6	90101518150	BOLT	1		M18X150				
7	32830262000	PLATE	1						

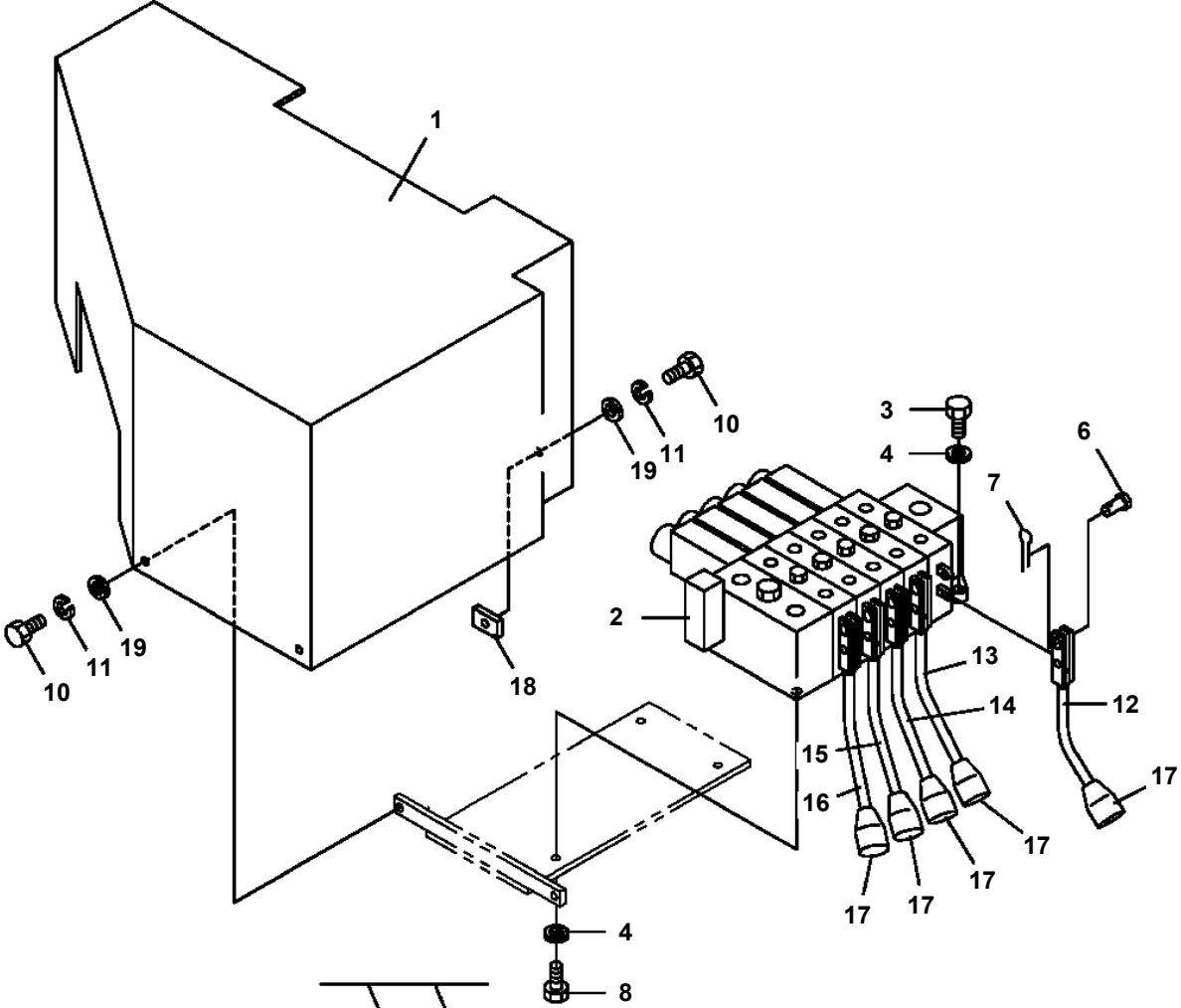
# OC-160M-2-30700 LOWER,HINO U-FS3FRBA

Pos No.	Parts No	Parts Name	Qty	Unit	Technical Data	Serial No (Start)	Serial No (End)	Remarks	Pages
1	32811782000	STEP	1						
2	37000505120	PLATE	2						
3	90101210020	BOLT	2		M10X20				
4	90302041001	WASHER,SPRING	2		10				
5	37000504740	PLATE	1						

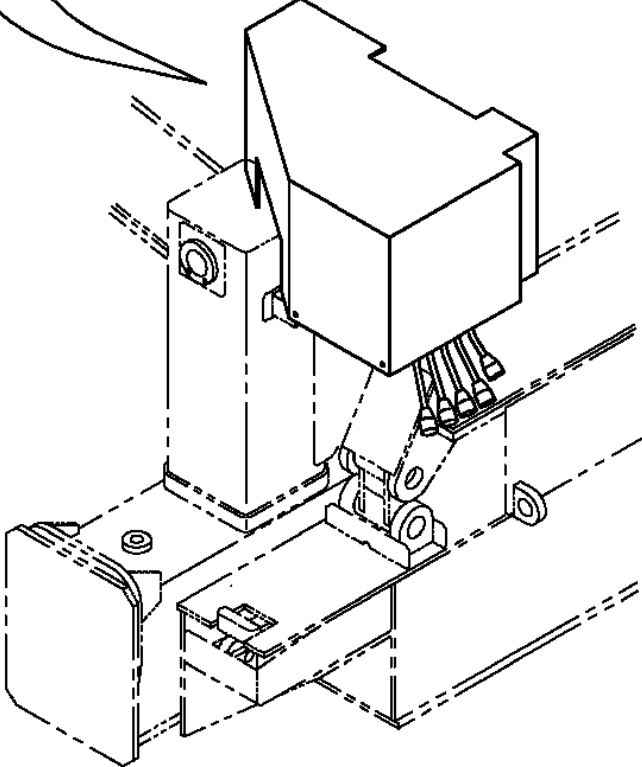
OC-160M-2-30700 LOWER,HINO U-FS3FRBA  
PX1360001-00 REFLECTOR INSTALLATION



**OC-160M-2-30700 LOWER,HINO U-FS3FRBA  
PY3010000-02 OPE.ASSY,CONT.VALVE**



**FRONT**



# OC-160M-2-30700 LOWER,HINO U-FS3FRBA

Pos No.	Parts No	Parts Name	Qty	Unit	Technical Data	Serial No (Start)	Serial No (End)	Remarks	Pages
1	37000105720	PIN	2						
2	90303070601	WASHER,PLAIN	2		6				
3	80136320012	PIN,SPLIT	2		2X12				
4	32701035010	SUPPORT	1						
5	82100001410	TUBE,SPIRAL	3	M	SE-04BK				
6	82100002037	CLAMP	4		WE10				
7	37001705250	CABLE,CONTROL	1		L=4300				
8	37000707730	CLAMP ASSY	1						
9	32701035100	LEVER ASSY	1						
10	90101210018	BOLT	3		M10X18				
11	90302041001	WASHER,SPRING	3		10				
12	42641262000	PLATE	1						
13	91810130240	FASTENER	10						
31	32701035200	LEVER	1						
32	31320020020	KNOB (RED)	1						
33	37001300000	SPRING	1						
34	32701035300	SUPPORT	1						
35	90101208030	BOLT	1		M8X30				
36	90201200800	NUT	1		M8				
37	90101208014	BOLT	1		M8X14				
38	90302040801	WASHER,SPRING	1		8				
39	37000126200	PIN	1						
44	37000400510	BEARING,PLAIN	2						

# OC-160M-2-30700 LOWER,HINO U-FS3FRBA

Pos No.	Parts No	Parts Name	Qty	Unit	Technical Data	Serial No (Start)	Serial No (End)	Remarks	Pages
1	32730566101	HARNESS	1						
2	82100002002	CLAMP	5		WR6				
3	37000704790	CLAMP ASSY	7		D=6				
4	32730566202	HARNESS	1						
5	82100002683	LAMP	2						
7	90101212025	BOLT	2		M12X25				
8	90201201200	NUT	2		M12				
9	90302041201	WASHER,SPRING	2		12				
10	37000705910	CLAMP ASSY	14		D=8				
11	91810130230	FASTENER	3						
12	37000542080	PLATE	2						
51	82100000054	BULB,LAMP	2		24V 60W				

# OC-160M-2-30700 LOWER,HINO U-FS3FRBA

Pos No.	Parts No	Parts Name	Qty	Unit	Technical Data	Serial No (Start)	Serial No (End)	Remarks	Pa
1	37002422790	HOSE	2		L=900				
2	80430470650	JOINT	2						
3	80456510600	JOINT,SELF SEALING	2						
4	(*****)	REEL,HOSE	1						000
5	37000900760	JOINT	2						
6	37000524850	PLATE	1						
7	90101212020	BOLT	4		M12X20				
8	90302041201	WASHER,SPRING	4		12				
9	37002429920	HOSE,TWIN	1		L=5500 & 5425				
11	32730563510	PLATE	1						
12	90101210020	BOLT	4		M10X20				
13	90302041001	WASHER,SPRING	4		10				
14	82100002012	CLAMP	2		WR18				
15	90101206012	BOLT	2		M6X12				
16	37000513800	PLATE	2						
17	90302040601	WASHER,SPRING	2		6				
19	80430410450	JOINT	2						
20	32730563520	SUPPORT	2						
21	32731371850	JOINT ASSY	1						
22	80430450450	JOINT	2		YL502				
23	80430470450	JOINT	1						
24	37002429930	HOSE	1		L=430				
25	37002429940	HOSE	1		L=550				
26	37000916790	JOINT	2						
27	37000909290	JOINT	1						
28	32731371950	GUIDE	1						
41	32731371970	ROLLER	1						
42	32731371750	SUPPORT	1						
43	37000163191	PIN	2						
44	80601110120	RING,RITAINING	4		S12				
45	32731371990	ROLLER	1						
46	80820001206	BEARING,PLAIN	2						
61	32730563710	ROLLER	1						
62	37000162440	PIN	2						
63	90101208012	BOLT	5		M8X12				
64	90302040801	WASHER,SPRING	5		8				
65	37000162450	PIN	3						
66	32731371890	ROLLER	3						
67	32731371810	SUPPORT	1						
68	90101210020	BOLT	4		M10X20				
69	90302041001	WASHER,SPRING	8		10				
70	37000558570	PLATE	1						
101	32731371861	PLATE	2						
102	32731371871	PLATE	2						
103	90101210025	BOLT	4		M10X25				
105	80820002812	BEARING,PLAIN	2						
106	36671690000	JOINT,ROTARY	2						
107	32730563890	JOINT	2						



# OC-160M-2-30700 LOWER,HINO U-FS3FRBA

Pos No.	Parts No	Parts Name	Qty	Unit	Technical Data	Serial No (Start)	Serial No (End)	Remarks	Pages
1	80601110400	RING,RITAINING	2		S40				
2	53229111000	PIN	1						
3	53617035000	PIN,SNAP	1						
4	90101210025	BOLT	8		M10X25				
5	90302041001	WASHER,SPRING	8		10				
6	53229115000	RETAINER	2						
7	53229113000	SUPPORT	1						
8	32730601100	SUPPORT	1						
9	53229112000	SUPPORT	1						
10	53230571000	HOLDER	2						
11	37000140710	PIN	2						
12	53230540000	PIN	2						

## OC-160M-2-30700 LOWER,HINO U-FS3FRBA

Pos No.	Parts No	Parts Name	Qty	Unit	Technical Data	Serial No (Start)	Serial N
1	80720105040	PIN,SPRING	1		5X40		
2	91350216000	BEARING,PLAIN (WITH PACKINGX2)	1				
3	36051940100	PISTON	1				
4	91002808000	O-RING	1		1B P80		
5	36051940200	ROD	1				
6	36051940300	CYLINDER	1				
7	80612111180	RING,RITAINING	1		AR118		
8	80801011050	BEARING,PLAIN	1				
9	91002815000	O-RING	1		1B P150		
11	91694111000	PACKING	1				
12	91410211002	RING,BACKUP	1				
13	91660011001	SEAL,DUST	1				
30	36051949900	PACKING SET	1		110X160		
40	36051949510	COVER,ROD	1				
50	36051940000	CYLINDER,LIFT	1		PACKING SET 110X160		

CLICK HERE TO **DOWNLOAD** THE COMPLETE MANUAL

- Thank you very much for reading the preview of the manual.
- You can download the complete manual from: [www.heydownloads.com](http://www.heydownloads.com) by clicking the link below



- Please note: If there is no response to CLICKING the link, please download this PDF first and then click on it.

CLICK HERE TO **DOWNLOAD** THE COMPLETE MANUAL