

GT-300E-3-00301 4 BOOM + 2 JIB,2M2D

PB0000332-00 UPPER STRUCTURE SYSTEM

PB0000511-00 LOWER STRUCTURE SYSTEM

ASSEMBLY

CLICK HERE TO **DOWNLOAD** THE COMPLETE MANUAL

- Thank you very much for reading the preview of the manual.
- You can download the complete manual from: www.heydownloads.com by clicking the link below



- Please note: If there is no response to CLICKING the link, please download this PDF first and then click on it.

CLICK HERE TO **DOWNLOAD** THE COMPLETE MANUAL

GT-300E-3-00301 4 BOOM + 2 JIB,2M2D

PR5070003-00 REGULATOR ASSY
PR5070004-00 REGULATOR ASSY
PR5090215-02 RELAY ASSY
PR5090227-00 RELAY ASSY (CAB)
PR5090228-00 RELAY ASSY (BATTERY RERAY)
PR5130008-01 RING ASSY,SLIP
PR5140003-00 ROD ASSY
PR5150022-00 ROLLER ASSY
PR5170004-00 ROPE,WIRE (KISWIRE/NON-SPIN)
PR5170004-00 ROPE,WIRE (KISWIRE/NON-SPIN)
PR5170015-00 ROPE,WIRE (TOKYO ROPE MFG./NON-SPIN)
PR5170015-00 ROPE,WIRE (TOKYO ROPE MFG./NON-SPIN)
PS5000049-00 STEERING & SUSPENSION
PS5050005-00 SEAT ASSY
PS5050012-00 SEAT ASSY
PS5170045-00 SHAFT ASSY,PROPELLER
PS5220025-00 SINGLE TOP ASSY
PS5220026-00 SINGLE TOP ASSY
PS5250011-00 SOCKET ASSY,ROPE
PS5340047-00 STEERING ASSY (AIR TUBE/CARRIER CAB)
PS5340049-00 STEERING ASSY
PS5340056-00 STEERING ASSY
PS5360024-00 STEP ASSY
PS5410001-00 SUNSHADE
PS5420467-00 SUPPORT ASSY (DASHBOARD SUPPORT BAR)
PS5420495-00 SUPPORT ASSY (ACCESSORY PARTS)
PS5420496-00 SUPPORT ASSY (CAB OUTER COVERING)
PS5420497-00 SUPPORT ASSY (HYDRAULIC PARTS)
PS5420498-00 SUPPORT ASSY (WIRING PARTS)
PS5420499-01 SUPPORT ASSY (BOOM)
PS5420500-00 SUPPORT ASSY (PLATE:ABS SENSOR CLAMP/3RD)
PS5420503-01 SUPPORT ASSY (BOOM,BASE:WIRING)
PS5420504-00 SUPPORT ASSY (BOOM,BASE:JIB ATTACHMENT)
PS5430011-00 SUPPORT ASSY,JIB
PS5500044-00 SWING ASSY
PS5510067-00 SWING FRAME ASSY
PS5520036-03 SWING TABLE ASSY
PS5530200-01 SWITCH ASSY (PRESSURE SWITCH)
PS5530354-01 SWITCH ASSY (3)
PS5530367-02 SWITCH ASSY (L)
PS5530371-00 SWITCH ASSY
PS5530391-01 SWITCH ASSY (1)
PS5530493-00 SWITCH ASSY (PRESSURE SWITCH)
PS5540013-02 SWITCH (OVERWIND/JIB)
PS5550008-00 SUPPORT
PT1340000-01 VALVE,RELAY
PT1360002-00 VALVE,SAFETY
PT5090027-01 TANK ASSY,OIL
PT5090028-00 TANK ASSY,OIL
PT5130092-00 TELESCOPE ASSY
PT5160014-00 TOOL ASSY
PT5340018-00 TABLE,SLEWING
PT5390001-00 TANK (SUB)
PT5650032-00 TRANSMISSION ASSY
PU1060010-00 ROD ASSY
PU5010010-00 UNWIND CUTOUT ASSY (LOWERING LIMITER/MAIN & AUX.)
PV5020001-00 VALVE ASSY,AIR
PV5040013-01 VALVE ASSY,CHECK
PV5060019-01 VALVE ASSY,CONTROL
PV5060027-01 VALVE ASSY,CONTROL
PV5070006-00 VALVE ASSY,COUNTERBALANCE
PV5090001-00 VALVE ASSY,HYDRAULIC
PV5190004-02 VALVE ASSY,SELECTOR (PILOT CONT.)
PV5240025-00 VALVE ASSY,SOLENOID

GT-300E-3-00301 4 BOOM + 2 JIB,2M2D

Pos No.	Parts No	Parts Name	Qty	Unit	Technical Data	Serial No (Start)	Serial No
1	34202720020	BOOM,2ND	1				
2	34202250290	SUPPORT	2				
3	90302041201	WASHER,SPRING	14		12		
4	90171112020	BOLT	14		M12X20		
6	34202250240	PLATE	2				
7	37002018390	PLATE,SLIDE (MATERIAL:MC801)	2				
	37002020260	PLATE,SLIDE (MATERIAL:OILAMID)	2				
8	34202090500	RETAINER (PLATE WORKING)	2				
	34202096850	RETAINER (CAST)	2				
9	90710712350	SCREW,SET	8		M12X35		
10	90201781200	NUT	8		M12		
11	37000587260	PLATE	2		T=9		
12	37000587300	PLATE	2		T=1.2		
13	90171112045	BOLT	4		M12X45		
14	34202096200	SUPPORT	1				
15	90101210016	BOLT	1		M10X16		
	90101210014	BOLT	1		M10X14	430611	430610
16	37000206540	PIN	1				
17	34200060120	SPACER	1		T=3.0		
18	37000515600	PLATE	2		T=1.0		
19	37001107630	ROLLER ASSY	1				
20	37001100150	ROLLER ASSY	1				
21	90171216050	BOLT	2		M16X50		
22	90201781600	NUT	2		M6		
23	37000208250	PIN	2				
24	80602110750	RING,RITAINING	2		R75		
25	90171118130	BOLT	2		M18X130		
26	90201781800	NUT (DACRO)	4		M18		
27	34202090060	PLATE	2		T=2.9		
28	34202090070	PLATE	2		T=4		
29	34202090080	PLATE	2		T=5		
30	34202090090	PLATE	2		T=6		
31	37010100250	PIN	2				
32	90171110018	BOLT	2		M10X18		
33	90303071001	WASHER,PLAIN	6		10		
34	90302041001	WASHER,SPRING	6		10		
35	37001010150	SHEAVE ASSY	2				
36	37000307920	SPACER	2		L=7.5		
37	37000312980	SPACER	2		L=5		
38	37000315630	SPACER	N		L=8.5		
39	37000315640	SPACER	N		L=9.5		
40	34200920700	SUPPORT	2				
41	34202250210	SUPPORT	2				
42	90171110030	BOLT	4		M10X30		
43	37002020140	PLATE,SLIDE (L=160/MATERIAL:OILAMID)	2				
	37002021050	PLATE,SLIDE (L=160/MATERIAL:MC703HL)	2				
45	90172108020	BOLT,HEXAGON SOCKET	4		M8X20		
46	37010501850	PLATE	2				
47	37010501860	PLATE	4				
48	37002018400	PLATE,SLIDE	2				
49	34202096100	SUPPORT	2				
50	90261000800	U-NUT	4		M8		
51	90303070601	WASHER,PLAIN	2		6		
52	82455106000	NIPPLE,GREASE	8		A-M6F FE		
53	37002019600	PLATE,SLIDE (0)	4		160X200		
54	37002019052	PLATE,SLIDE (-2)	N		160X200		
55	34202097010	SHIM	N		T=0.6		
56	37002003180	PLATE,SLIDE	2				
57	37002021110	PLATE,SLIDE	N				
58	37010501990	SHIM	4		T=1.2		
59	37010501980	SHIM	2		T=0.6		
60	90172106016	BOLT,HEXAGON SOCKET	2		M6X16		
61	37000590450	PLATE	N				

GT-300E-3-00301 4 BOOM + 2 JIB,2M2D

Pos No.	Parts No	Parts Name	Qty	Unit	Technical Data	Serial No (Start)	S
102	90202402700	NUT	2		M27		
103	34202090150	SUPPORT	1				
104	90171112028	BOLT	2		M12X28		
105	90302041201	WASHER,SPRING	2		12		
106	90303071201	WASHER,PLAIN	2		12		
107	37000143740	PIN	2				
108	80601110450	RING,RITAINING	2		S45		
109	37001005590	SHEAVE ASSY	1				
110	37001004930	SHEAVE ASSY	1				
111	37000303560	SPACER	4		L=3		
112	90172108012	BOLT,HEXAGON SOCKET	2		M8X12		
113	34202090110	SUPPORT	1				
121	80801003020	BEARING,PLAIN	4				
136	34202721850	SUPPORT	1				
146	34202721950	SUPPORT	1				
152	34202721400	SHEAVE ASSY	1				
154	31205281400	GUIDE	3				
161	80576100209	BEARING,BALL	2				
181	37001003330	SHEAVE ASSY	2				
182	34202321450	SUPPORT	1				
183	80601110400	RING,RITAINING	2		S40		
192	80602110800	RING,RITAINING	2		R80		
193	80513006208	BEARING,BALL	4				
202	(*****)	SUPPORT ASSY (BOOM,BASE:WIRING)	1				
203	(*****)	SUPPORT ASSY (BOOM,BASE:JIB ATTACHMENT)	1				

GT-300E-3-00301 4 BOOM + 2 JIB,2M2D

Pos No.	Parts No	Parts Name	Qty	Unit	Technical Data	Serial No (Start)	Serial No (End)	Remarks	Pages
1	36382686190	SPIDER	1						
2	36382686200	O-RING	1						
3	36382686210	SHOE ASSY	2						
4	36382686220	PIN	2						
5	36382686230	WASHER	1						
6	36382686250	CAMSHAFT	1						
7	36382686260	SPRING	1						
8	36382686270	SPRING	2						
9	36382686290	BRACKET	1						
10	36382686300	SCREW	4						
11	36382686310	NIPPLE,GREASE	1						
12	36382686320	WASHER	1						
13	36382686330	WASHER	1						
14	36382686340	WASHER	2						
16	36382686350	RING,SNAP	1						
17	36382686360	SHIELD (DUST)	1						
18	36382686370	BUSHING	2						
19	36382686380	BUSHING	1						
20	36382686390	SCREW	6						
21	36382686400	SEAL	1						
25	36382686410	PLUG	2						
26	36382686420	BUSHING	1						
27	36382686400	SEAL	1						
28	36382686440	ROLLER	2						
29	36382686450	RETAINER	2						
30	36382686460	PIN	2						
31	36382686481	LINING SET	1						
51	36382686470	SHOE,BRAKE (KIT)	1						
100	36382685010	BRAKE ASSY (RH)	1						

GT-300E-3-00301 4 BOOM + 2 JIB,2M2D

Pos No.	Parts No	Parts Name	Qty	Unit	Technical Data	Serial No (Start)	Serial No (End)	Remarks	P
1	36382665660	BRIDGE	1						
2	36382665670	CARRIER	1						
3	36382665650	HOUSING (LH)	1						
6	36382665720	RETAINER (PAD)	1						
8	36382665680	PISTON KIT	1						
20	36382665691	CAP (ADJUSTER)	1						
21	36382665701	SEAL (ACTUATOR)	1						
22	36382665740	SUPPORT (VWI)	1						
41	36382665711	PAD KIT	1						
42	36382665730	GUIDE KIT	1						
100	36382665370	BRAKE ASSY,DISK (LH)	1						

GT-300E-3-00301 4 BOOM + 2 JIB,2M2D

Pos No.	Parts No	Parts Name	Qty	Unit	Technical Data	Serial No (Start)	Serial No (End)	Remarks	P
1	36042241000	CYLINDER	1						
2	90201202000	NUT	1		M20				
3	91100105500	RING,SEAL	1						
4	36040020301	PISTON	1						
5	36040790101	ROD	1						
6	36040540300	COVER,ROD	1						
7	91002804801	O-RING	1		1B P48A				
8	91694003500	PACKING	1						
9	91410203501	RING,BACKUP	1						
10	91660003501	SEAL,DUST	1						
11	91002802000	O-RING	1		1B P20				
31	36043379900	PACKING SET	1		35X55				
50	36042240000	CYLINDER,EXTENSION	1						

GT-300E-3-00301 4 BOOM + 2 JIB,2M2D

Pos No.	Parts No	Parts Name	Qty	Unit	Technical Data	Serial No (Start)	Serial
1	(*****)	CAB ASSY	1				
2	34262253000	FRAME	1				
3	34261441100	SWITCH ASSY (STARTER & DOOR LOCK CYL.)	1				
4	34260954500	SUN VISOR (FRONT)	1				
5	34260954600	SUNSHADE	1				
6	34260981000	COVER ASSY (ASSY ONLY)	1				
100	34262250100	CAB ASSY (CRANE)	1				

GT-300E-3-00301 4 BOOM + 2 JIB,2M2D

Pos No.	Parts No	Parts Name	Qty	Unit	Technical Data	Serial No (Start)	S
1	35620530000	CAB ASSY	1				
3	(*****)	STEERING ASSY (AIR TUBE/CARRIER CAB)	1				
7	(*****)	ELEC.ASSY (CARRIER CAB)	1				
9	(*****)	OPE.ASSY,TRANSMISSION (CARRIER CAB)	1				
10	(*****)	OPE.ASSY,BRAKE (CARRIER CAB)	1				
11	(*****)	OPE.ASSY,CLUTCH (CARRIER CAB)	1				
12	(*****)	MODIFICATION ASSY (CARRIER CAB)	1				
13	(*****)	OUTER COVERING ASSY(CAB SIDE REAR COVER)	1				
14	(*****)	AIR CONDITIONER ASSY (CARRIER CAB)	1				
15	(*****)	MOUNT ASSY (MFD/CARRIER CAB)	1				
16	(*****)	MIRROR ASSY	1				

GT-300E-3-00301 4 BOOM + 2 JIB,2M2D

Pos No.	Parts No	Parts Name	Qty	Unit	Technical Data	Serial No (Start)	Serial No (End)	Remarks	P
100	36172650000	CONTROLLER (GSMT)	1						

GT-300E-3-00301 4 BOOM + 2 JIB,2M2D

Pos No.	Parts No	Parts Name	Qty	Unit	Technical Data	Serial No (Start)	Serial No (End)	R
1	35590421101	COVER	1					
2	35590421502	COVER	1					
3	35590421551	COVER	1					
4	35590421601	COVER	1					
5	35590421901	SUPPORT	1					
6	35590429530	COVER	1					
7	35590429540	COVER	1					
8	35590421010	PLATE	1					
9	90186210020	BOLT,FLANGE	24		M10X20			
11	90302040801	WASHER,SPRING	4		8			
12	80182308014	SCREW,MACHINE	4		M8X14			
13	35590422300	SUPPORT	1					
14	35590402700	SUPPORT	2					
16	37000505950	PLATE	5		T=3.2			
17	90303071001	WASHER,PLAIN	12		10			
18	80136325020	PIN,SPLIT	2		2.5X20			
19	90280201000	NUT,FLANGE	5		M10			
73	34690923600	HINGE	4					
74	90303070801	WASHER,PLAIN	12		8			
75	90302040801	WASHER,SPRING	12		8			
76	90101208020	BOLT	12		M8X20			
78	82466301450	INSULATOR	1					
79	80172804020	SCREW,MACHINE	1		M4X20			
300	35590420100	COVER ASSY (NON-SLIP PAINTS)	1					

GT-300E-3-00301 4 BOOM + 2 JIB,2M2D

Pos No.	Parts No	Parts Name	Qty	Unit	Technical Data	Serial No (Start)	Serial No (End)	Remarks	Pages
3	82466112900	CATCH	1						
6	34692802200	HINGE	2						
9	80147310430	RIVET	6		NSA 4-3				
10	80147310450	RIVET	4		NSA4-5				
29	80147310430	RIVET	2		NSA 4-3				
80	35590429510	COVER ASSY	1						
100	35590423202	COVER	1						

GT-300E-3-00301 4 BOOM + 2 JIB,2M2D

Pos No.	Parts No	Parts Name	Qty	Unit	Technical Data	Serial No (Start)	Serial No (End)	Remarks	Pages
2	35590423620	CUSHION	1						
3	35590423630	COVER	1						
100	35590423601	COVER	1						

GT-300E-3-00301 4 BOOM + 2 JIB,2M2D

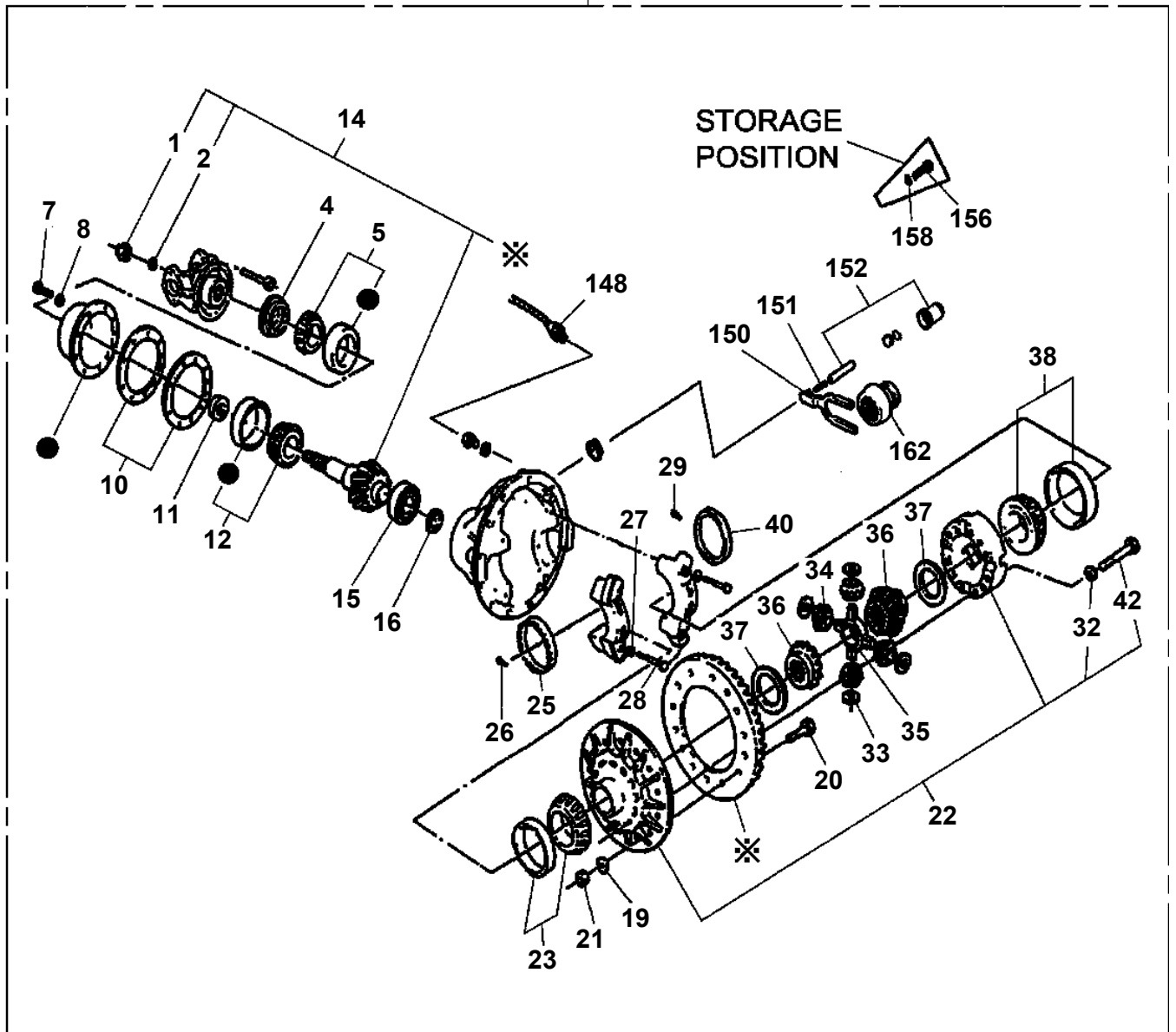
Pos No.	Parts No	Parts Name	Qty	Unit	Technical Data	Serial No (Start)	Serial No (End)	Remarks	Pages
2	35590403820	CUSHION	1						
5	35590424020	INSULATOR	1						
100	35590423752	COVER	1						

GT-300E-3-00301 4 BOOM + 2 JIB,2M2D

Pos No.	Parts No	Parts Name	Qty	Unit	Technical Data	Serial No (Start)	Serial No (End)	Remarks	Pages
1	35590422000	COVER	1						
2	82400000357	CATCH	1						
22	35590422020	CUSHION	1						
23	35590422030	CUSHION	2						
25	35590422050	CUSHION	1						
100	35590429530	COVER	1						

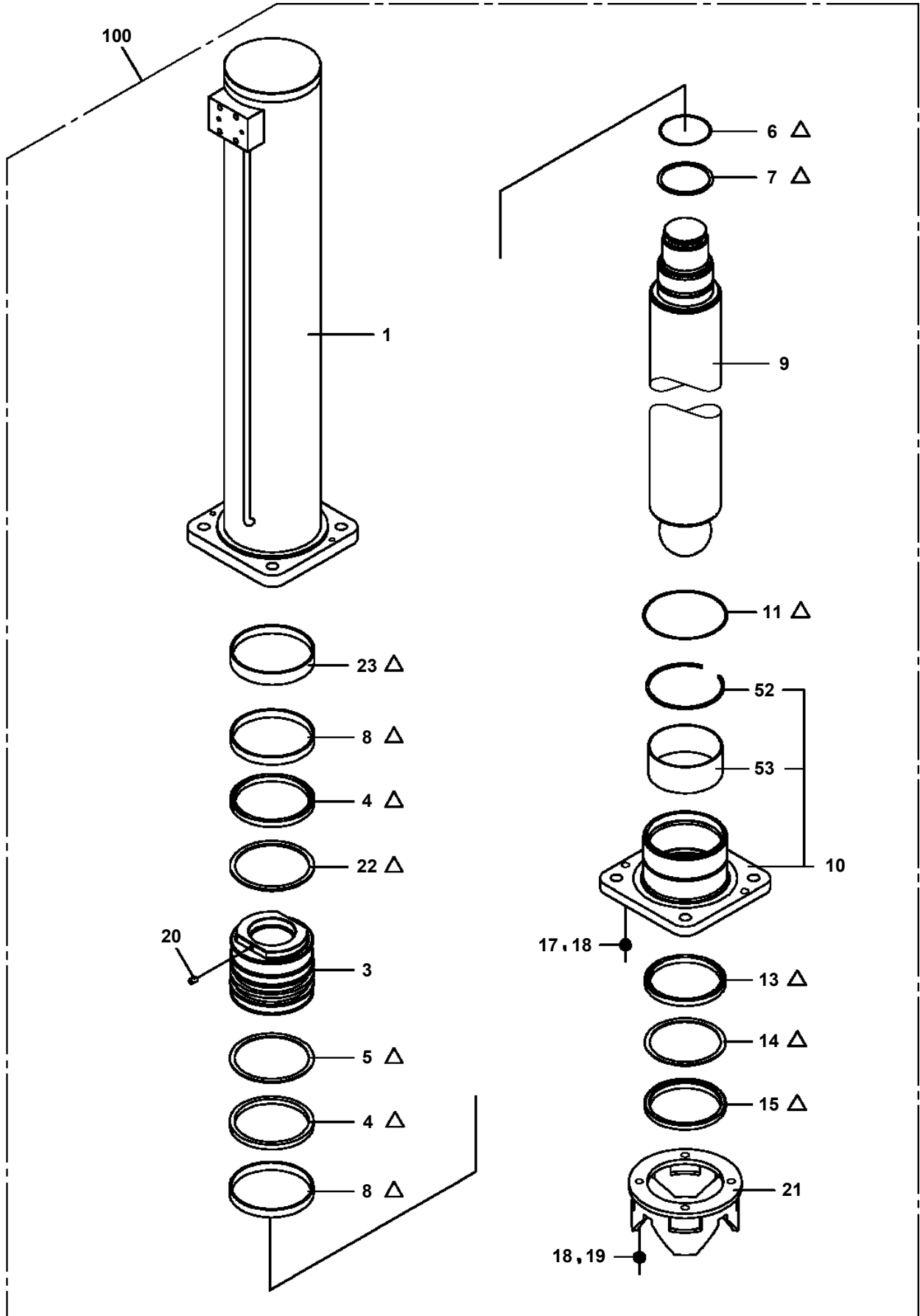
GT-300E-3-00301 4 BOOM + 2 JIB,2M2D
PC5730002-00 CARRIER ASSY

500



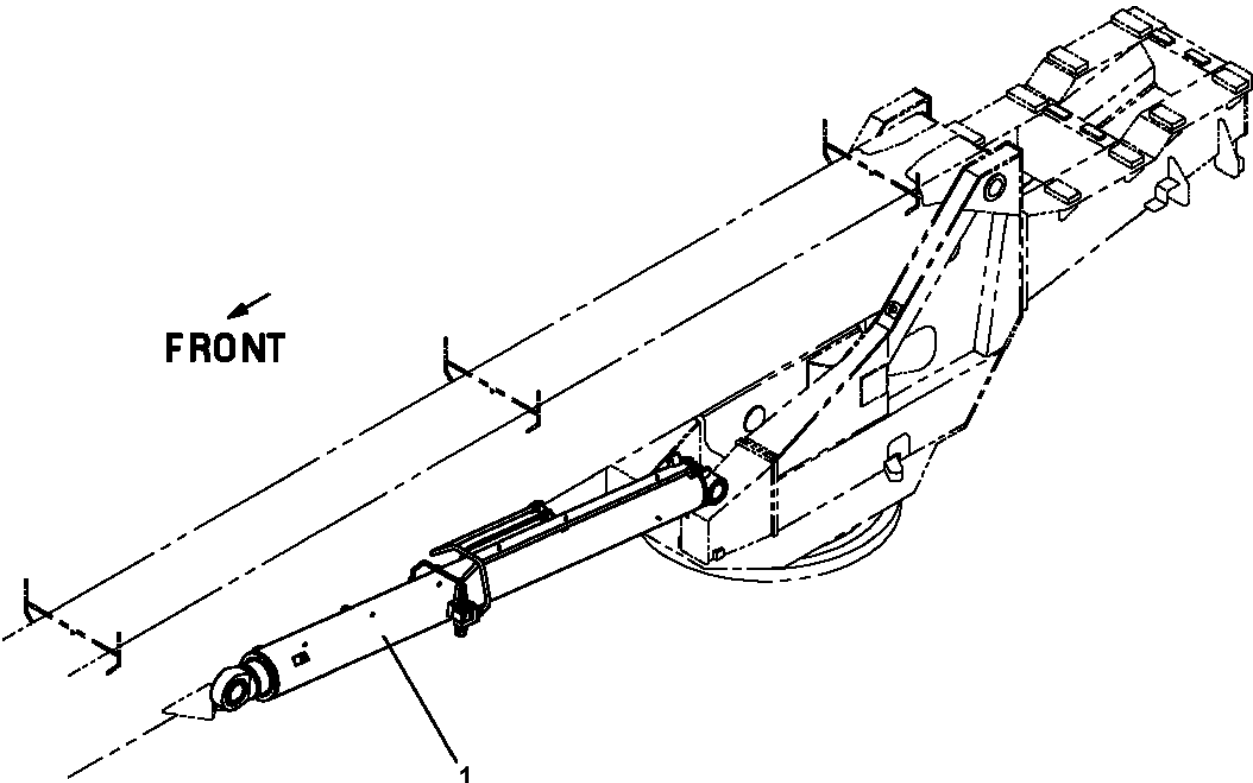
● : PINION CAGE KEY NO. 9

GT-300E-3-00301 4 BOOM + 2 JIB,2M2D
 PC6390098-00 CYLINDER ASSY,JACK



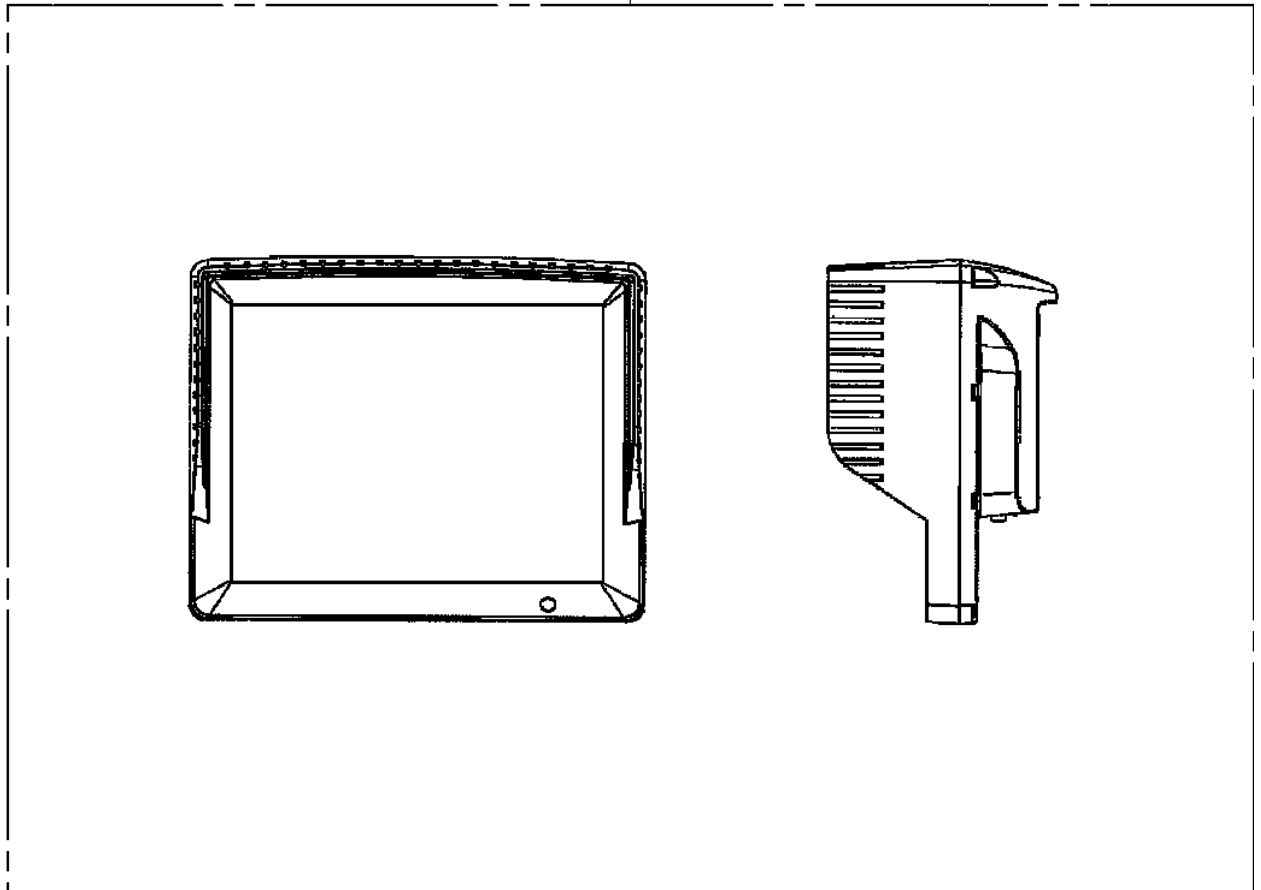
△:PACKING SET KEY NO.80 (KEY NO.4,5,6,7,8,11,13,14,15,22,23)

GT-300E-3-00301 4 BOOM + 2 JIB,2M2D
PD5020037-00 DERRICK ASSY



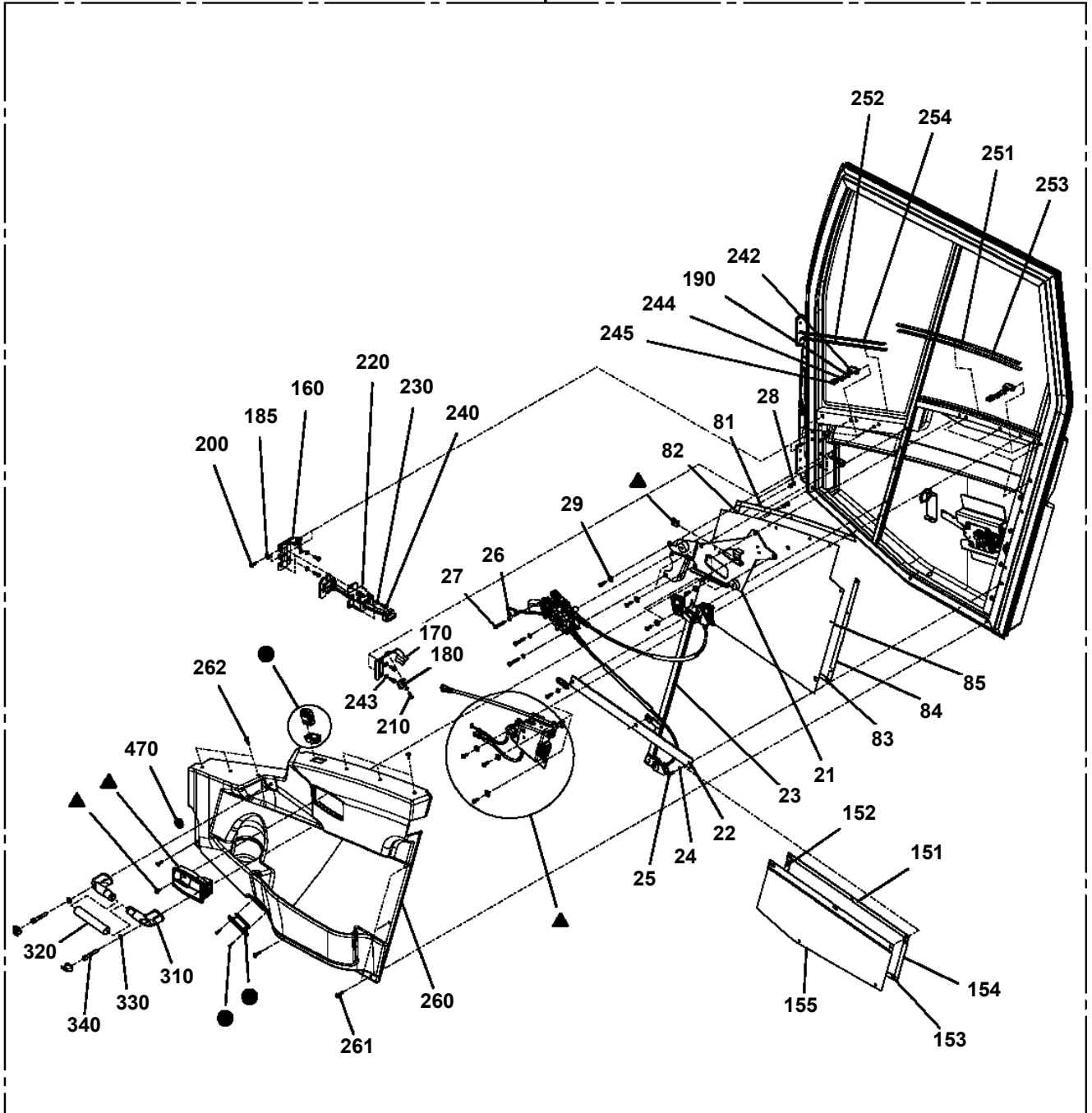
GT-300E-3-00301 4 BOOM + 2 JIB,2M2D
PD5160013-00 DISPLAY (MFD)

100



**GT-300E-3-00301 4 BOOM + 2 JIB,2M2D
PD5200010-01 DOOR ASSY**

950



▲ : LOCK ASSY KEY NO. 140
● : ELEC. ASSY KEY NO. 700

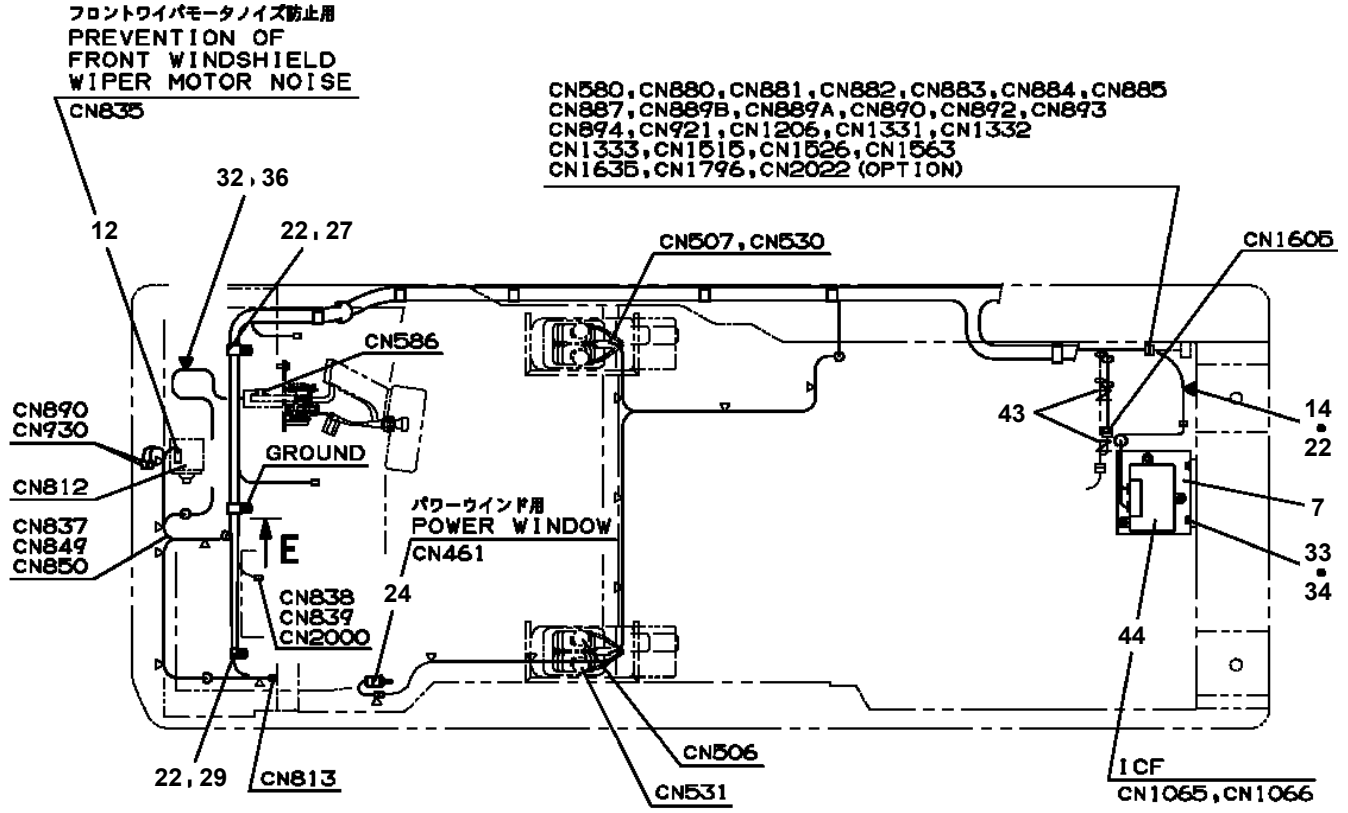
GT-300E-3-00301 4 BOOM + 2 JIB,2M2D

Pos No.	Parts No	Parts Name	Qty	Unit	Technical Data	Serial No (Start)	Serial No (End)	Remarks	Pages
2	34510702350	PACKING	1						
6	34510702450	PACKING	1						
7	34510702460	PACKING	1						
100	34510702400	DUCT	1						

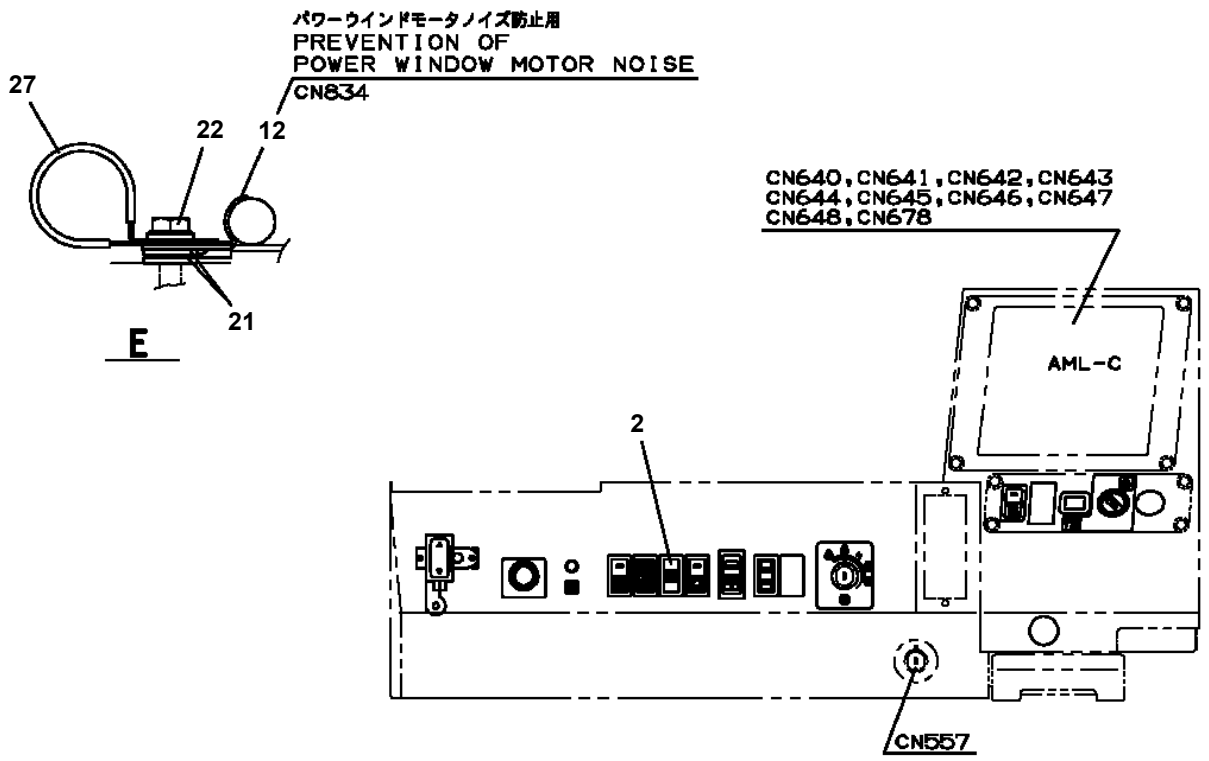
GT-300E-3-00301 4 BOOM + 2 JIB,2M2D

Pos No.	Parts No	Parts Name	Qty	Unit	Technical Data	Serial No (Start)	Serial No (End)	Re
1	36171150000	CONTROLLER (SCT,ASSY ONLY)	1					
2	34353830200	ANTENNA (GPS)	1					
5	34353830500	CABLE (ANTENNA)	1					
12	99172106016	BOLT,TAPPING	4		M6X16			
13	82400000071	GROMMET	1		OG-1			
16	91810132530	FASTENER	8					
18	91850310305	CLAMP	2					
19	91810130240	FASTENER	2					
22	34494100101	HARNESS (SCT)	1					

**GT-300E-3-00301 4 BOOM + 2 JIB,2M2D
PE5021131-01 ELEC.ASSY (CAB)**



A



D

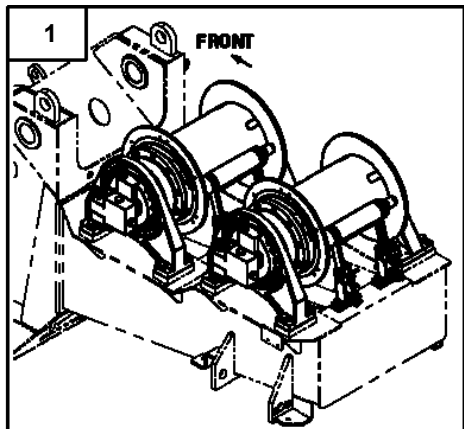
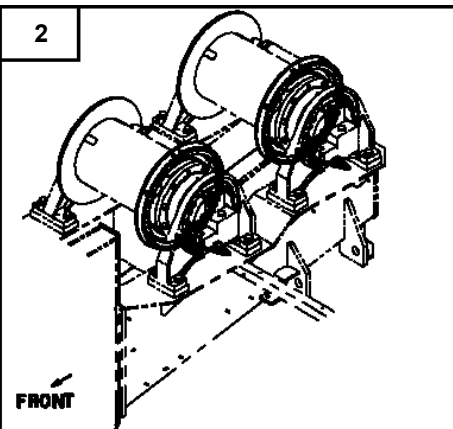
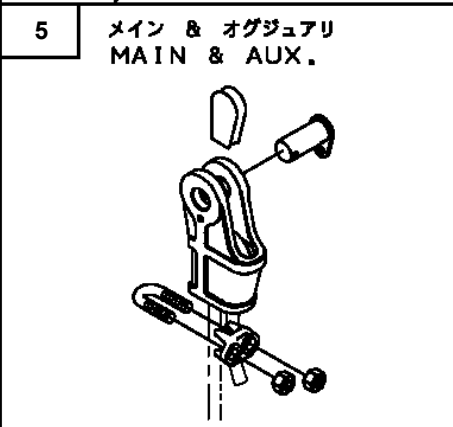
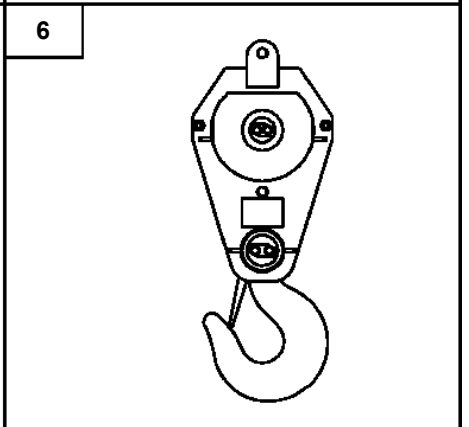
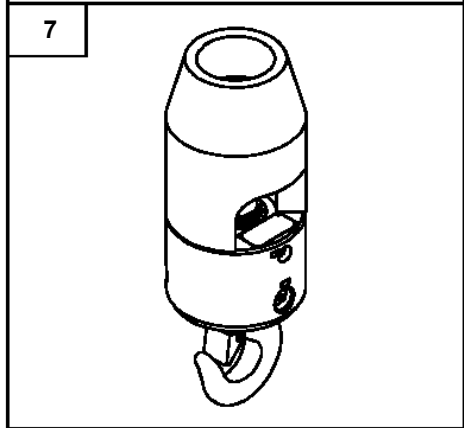
GT-300E-3-00301 4 BOOM + 2 JIB,2M2D

Pos No.	Parts No	Parts Name	Qty	Unit	Technical Data	Serial No (Start)	Serial No (End)	Remarks
1	99707063498	CABLE HARNESS-ASSY	1					
2	82100001839	FUSE	1		10A.RED			
3	82100000711	CLAMP	6					
4	82100001802	TUBE,CORRUGATE	1	M	10			
5	91810130240	FASTENER	3					

GT-300E-3-00301 4 BOOM + 2 JIB,2M2D

Pos No.	Parts No	Parts Name	Qty	Unit	Technical Data	Serial No (Start)	Serial No (End)	Remarks	Pages
21	(*****)	EVAPORATOR ASSY	1						000110

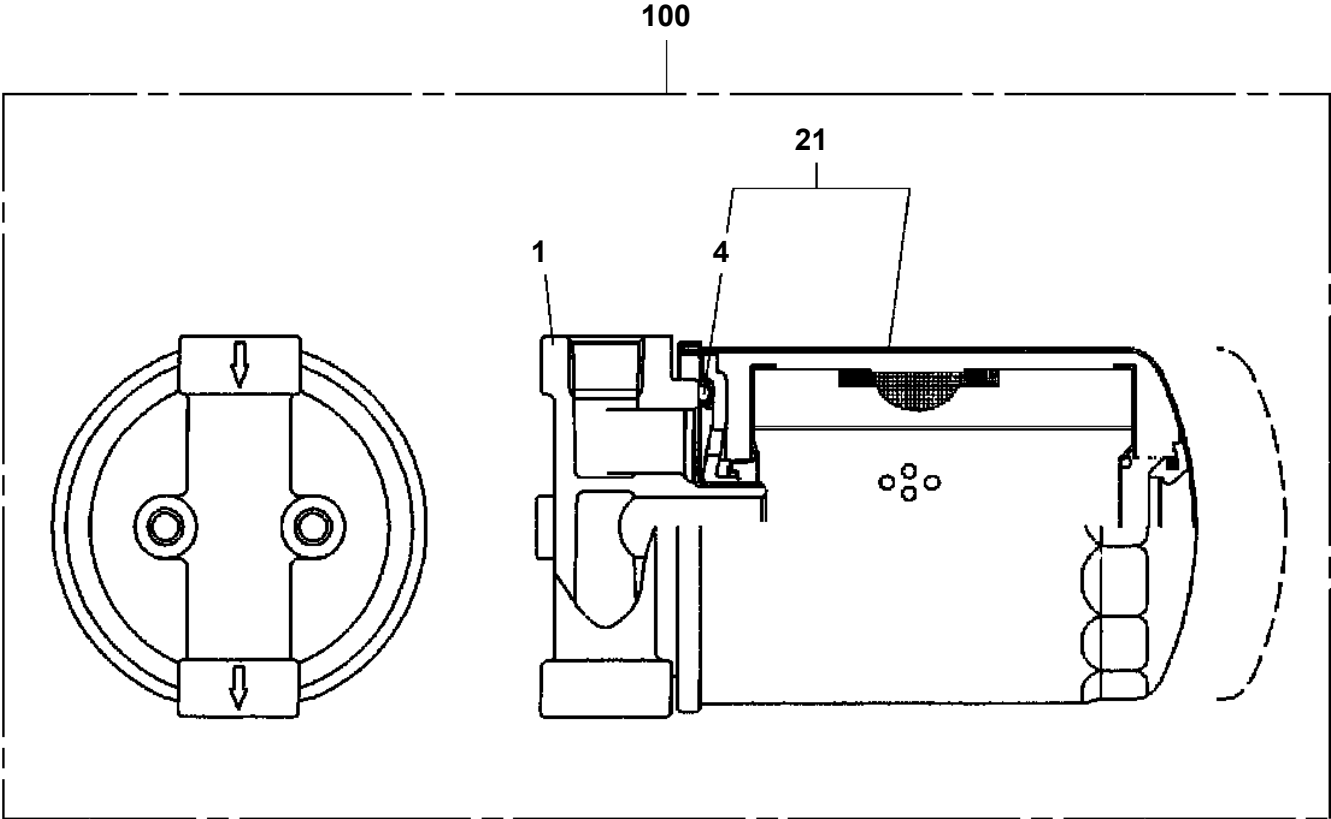
GT-300E-3-00301 4 BOOM + 2 JIB,2M2D
 PF1000806-01 WINCH SYSTEM

<p>1</p>  <p>FRONT</p>	<p>2</p>  <p>FRONT</p>	<p>3</p> <p>ロープ ,ワイヤ (メイン) <16×190M> ROPE, WIRE (MAIN) <16×190M></p>
<p>4</p> <p>ロープ ,ワイヤ (オグジュアリ) <16×110M> ROPE, WIRE (AUX.) <16×110M></p>	<p>5</p> <p>メイン & オグジュアリ MAIN & AUX.</p> 	<p>6</p> 
<p>7</p> 		

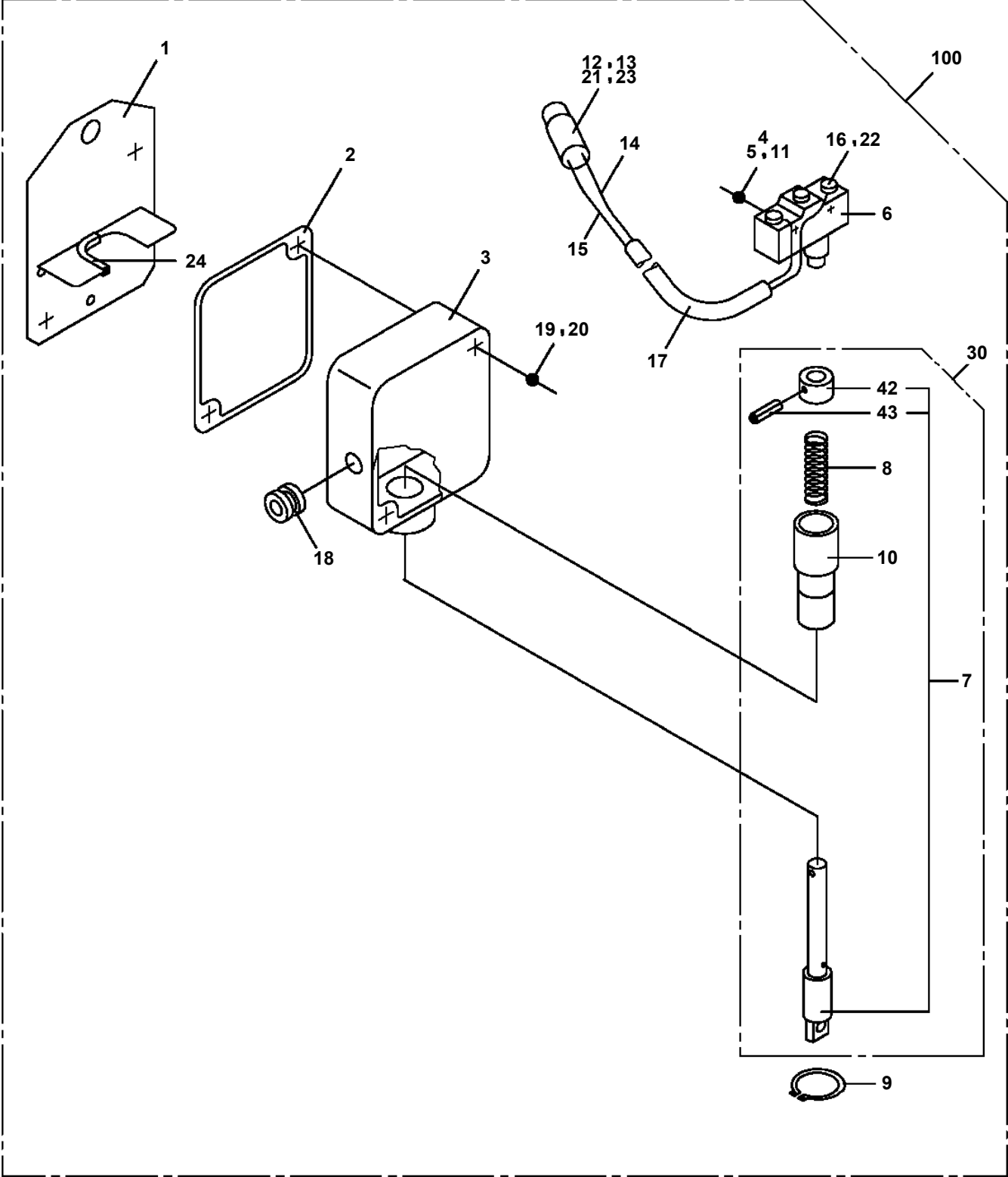
適用製造番号によっては取り付けがないものもあります。

MACHINES OF SOME SERIAL NO. ARE NOT EQUIPPED WITH THESE PARTS.

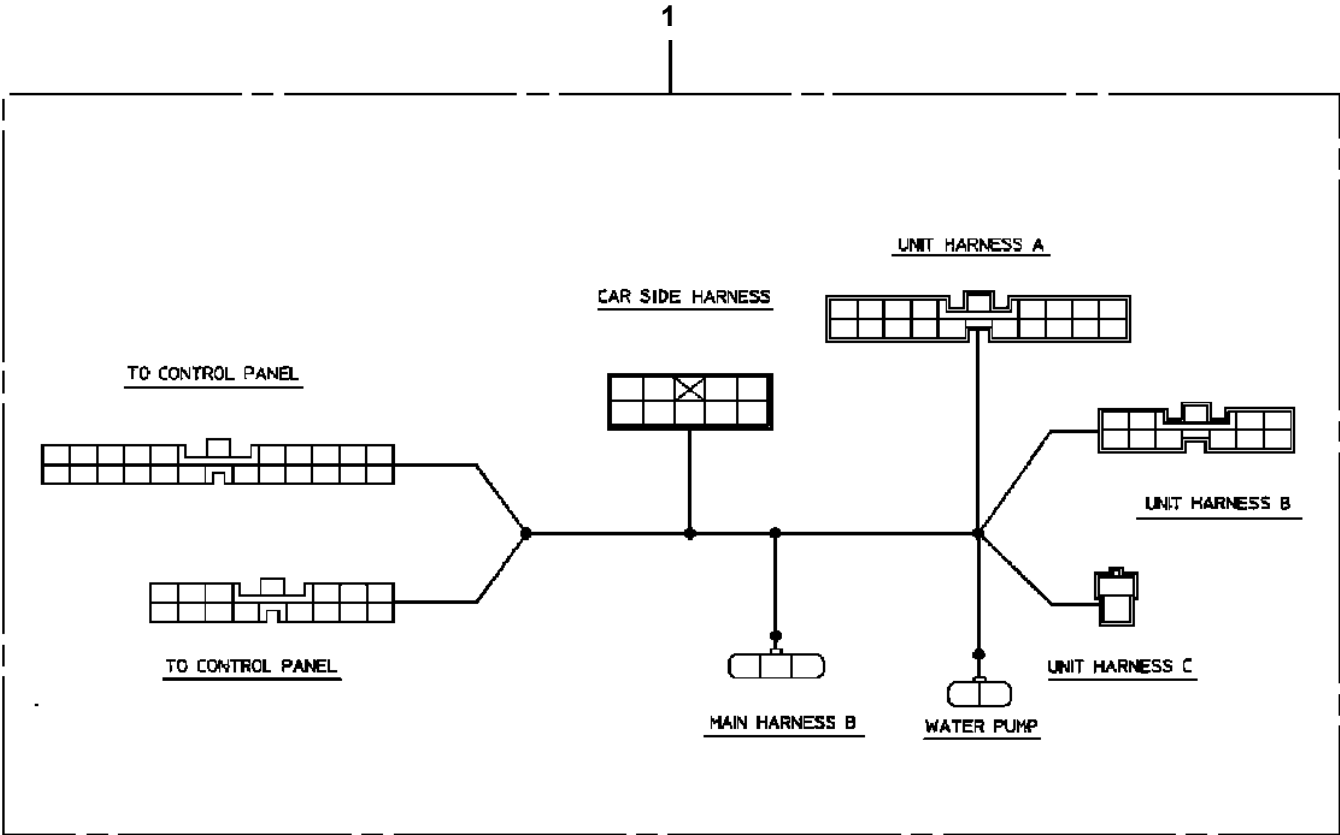
GT-300E-3-00301 4 BOOM + 2 JIB,2M2D
PF5030021-00 FILTER ASSY



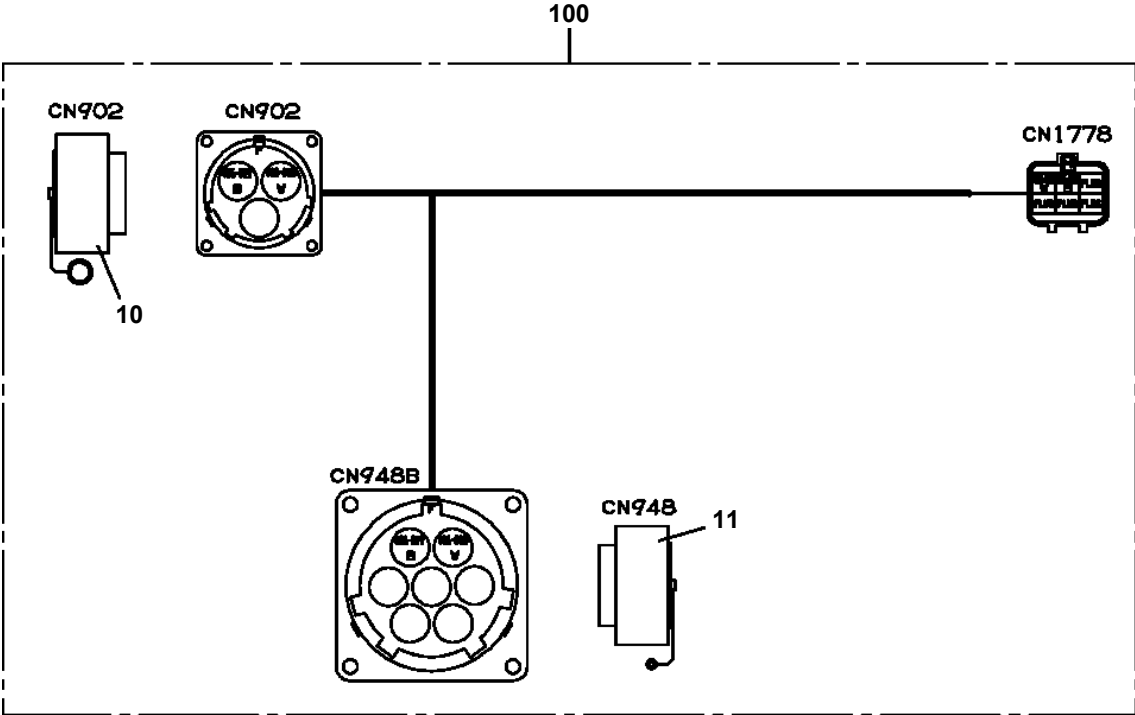
GT-300E-3-00301 4 BOOM + 2 JIB,2M2D
PH1070023-01 SWITCH,OVER WIND DETECTOR



GT-300E-3-00301 4 BOOM + 2 JIB,2M2D
PH5030610-00 HARNESS (MAIN A)

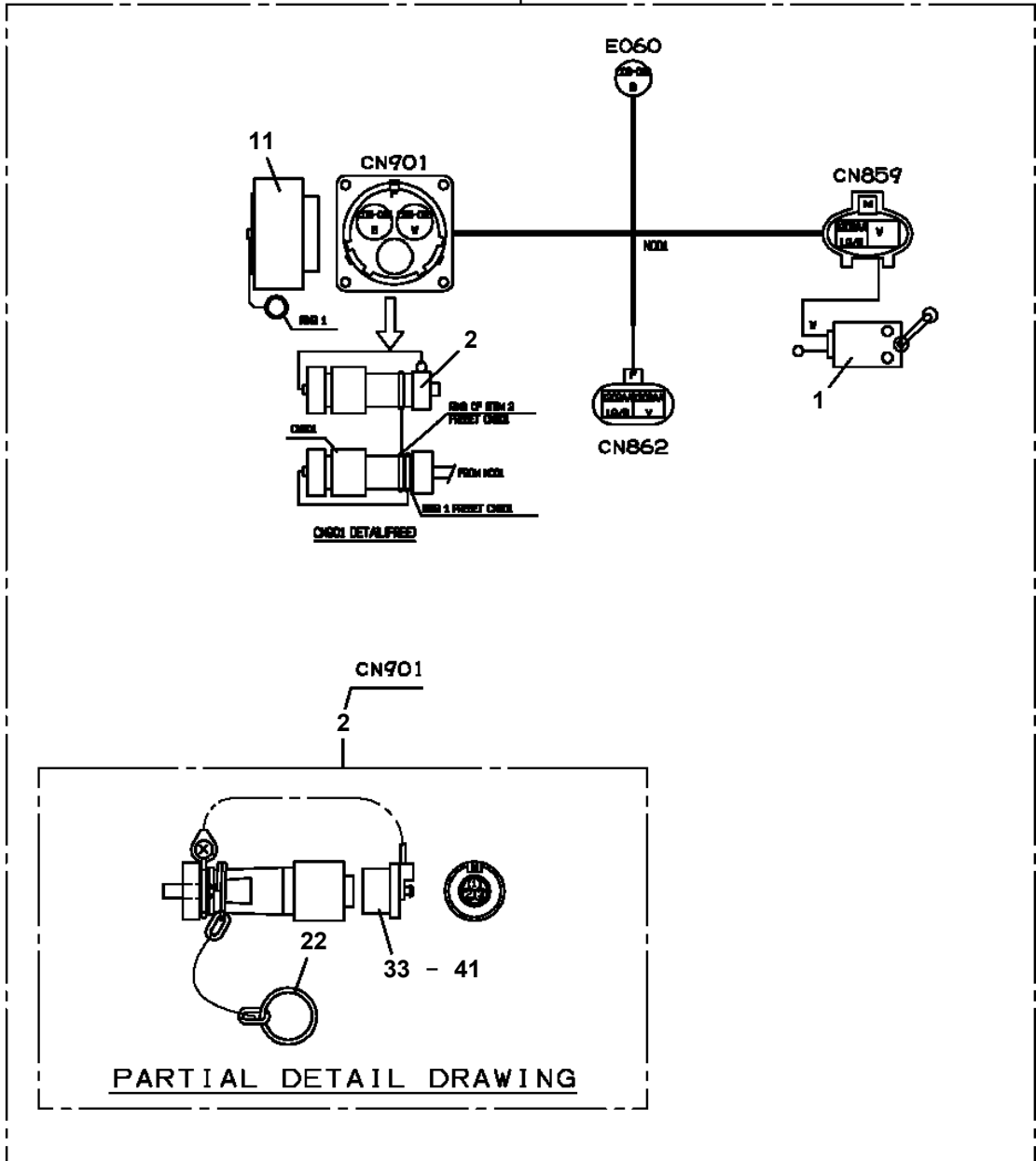


**GT-300E-3-00301 4 BOOM + 2 JIB,2M2D
PH5031448-00 HARNESS (JIB 2,OVERWINDING)**

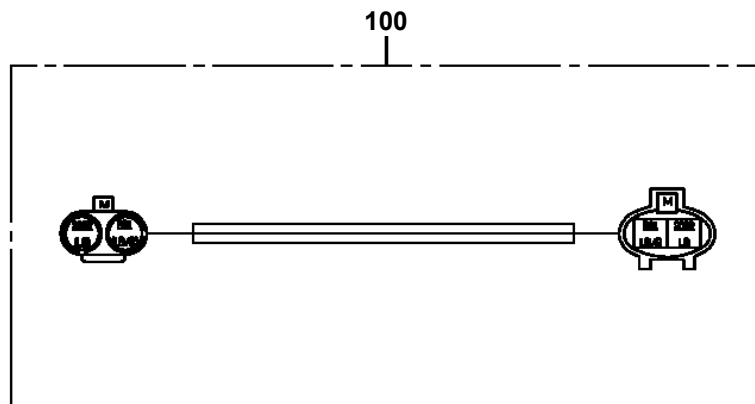


GT-300E-3-00301 4 BOOM + 2 JIB,2M2D
 PH5033408-00 HARNESS (BOOM, TOP)

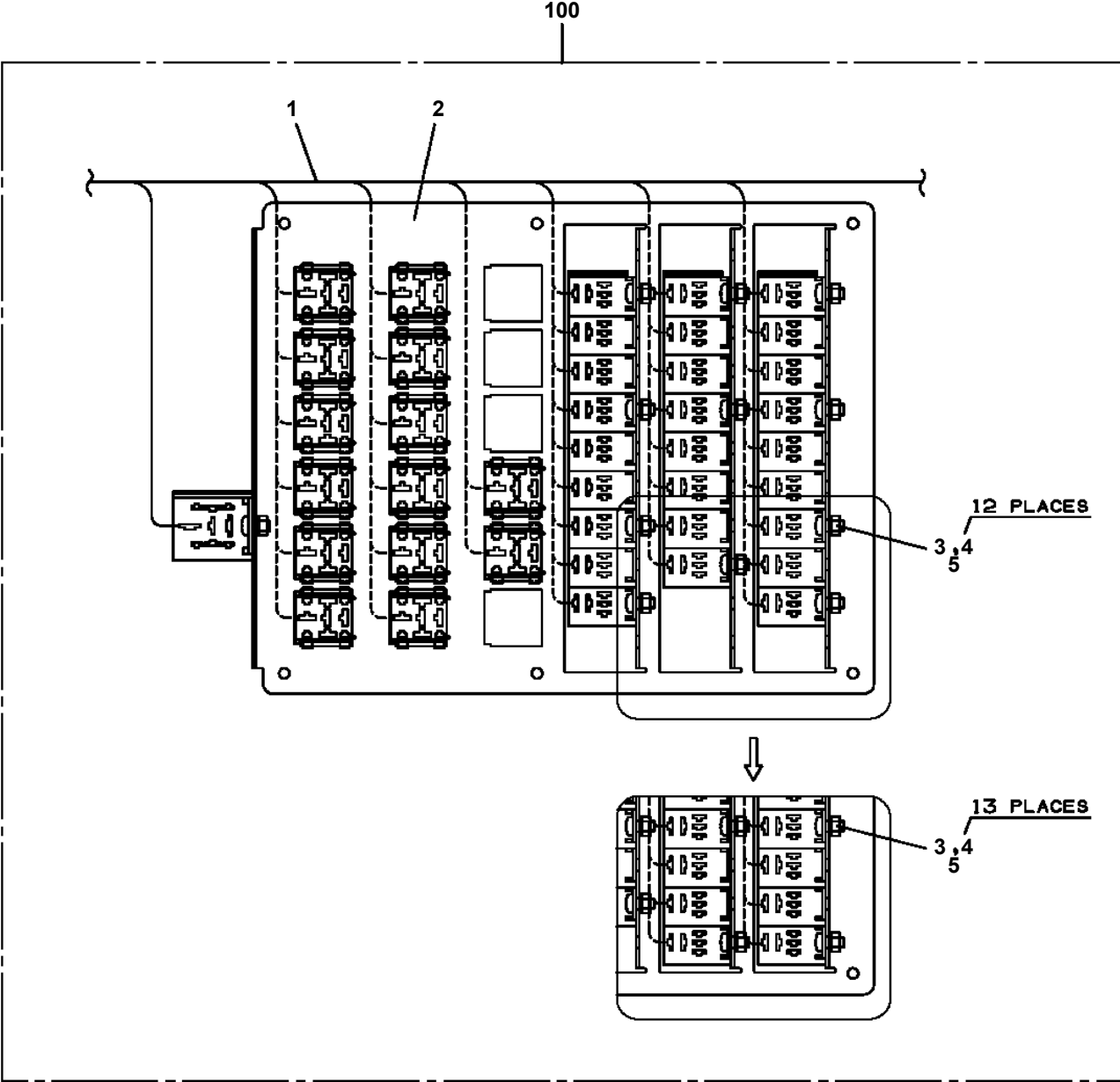
50



**GT-300E-3-00301 4 BOOM + 2 JIB,2M2D
PH5033482-00 HARNESS (DIFFERENTIAL LOCK)**



GT-300E-3-00301 4 BOOM + 2 JIB,2M2D
PH5033502-01 HARNESS (CAB/CARRIER)



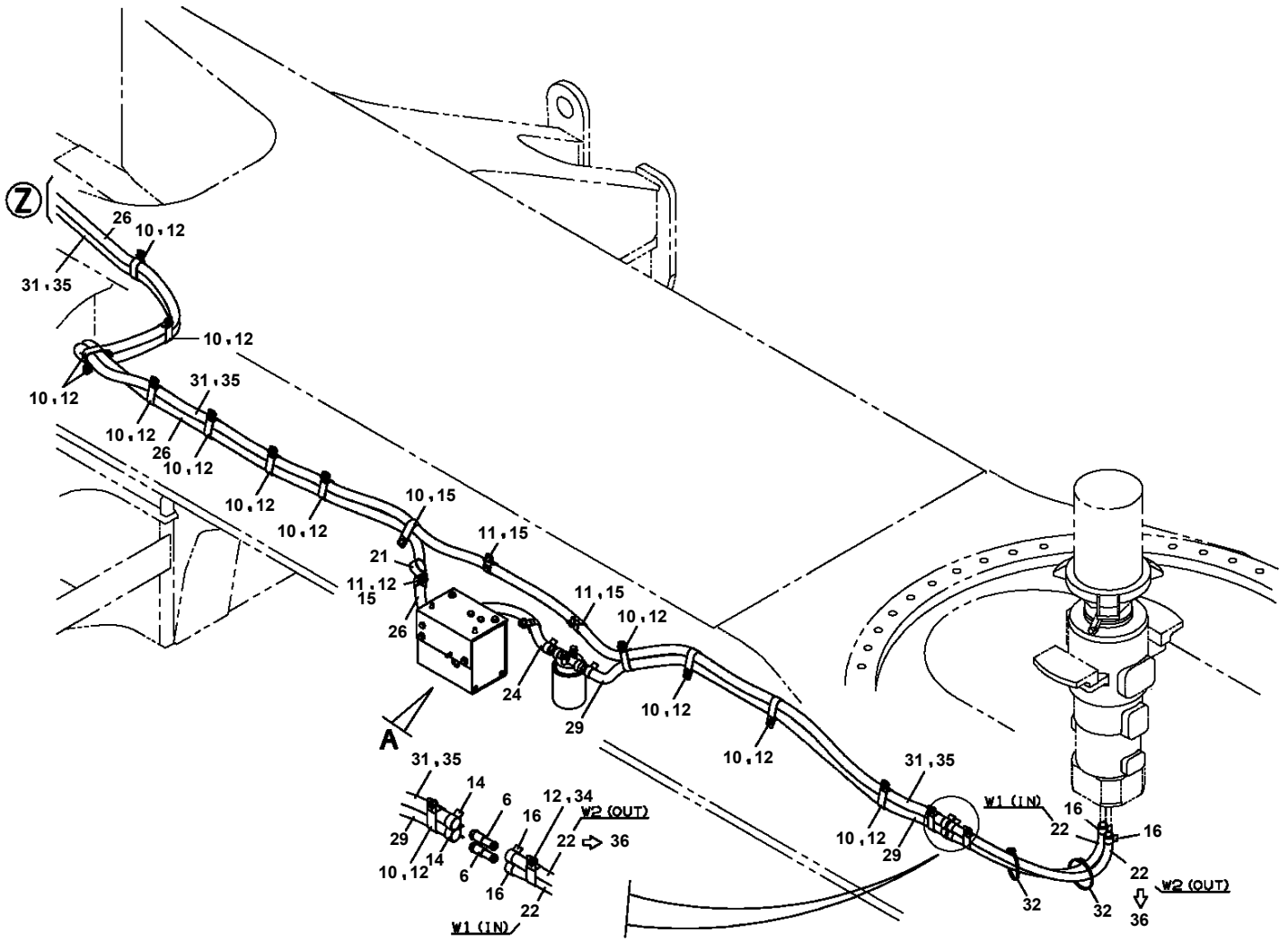
GT-300E-3-00301 4 BOOM + 2 JIB,2M2D

Pos No.	Parts No	Parts Name	Qty	Unit	Technical Data	Serial No (Start)	Serial No (End)	Remarks	Page
1	82181500040	RESISTANCE	1		120 OHM 0.5W				
100	35780612100	HARNESS (ENGINE)	1						

GT-300E-3-00301 4 BOOM + 2 JIB,2M2D

Pos No.	Parts No	Parts Name	Qty	Unit	Technical Data	Serial No (Start)	Serial No (End)	F
1	82182819834	DIODE	2		1.5A			
2	82182819823	DIODE	8		1.5A			
3	82181809920	RESISTANCE	1		1.3 KILO-OHM ,0.5W			
100	35780390103	HARNESS (IN CARRIER CAB)	1					

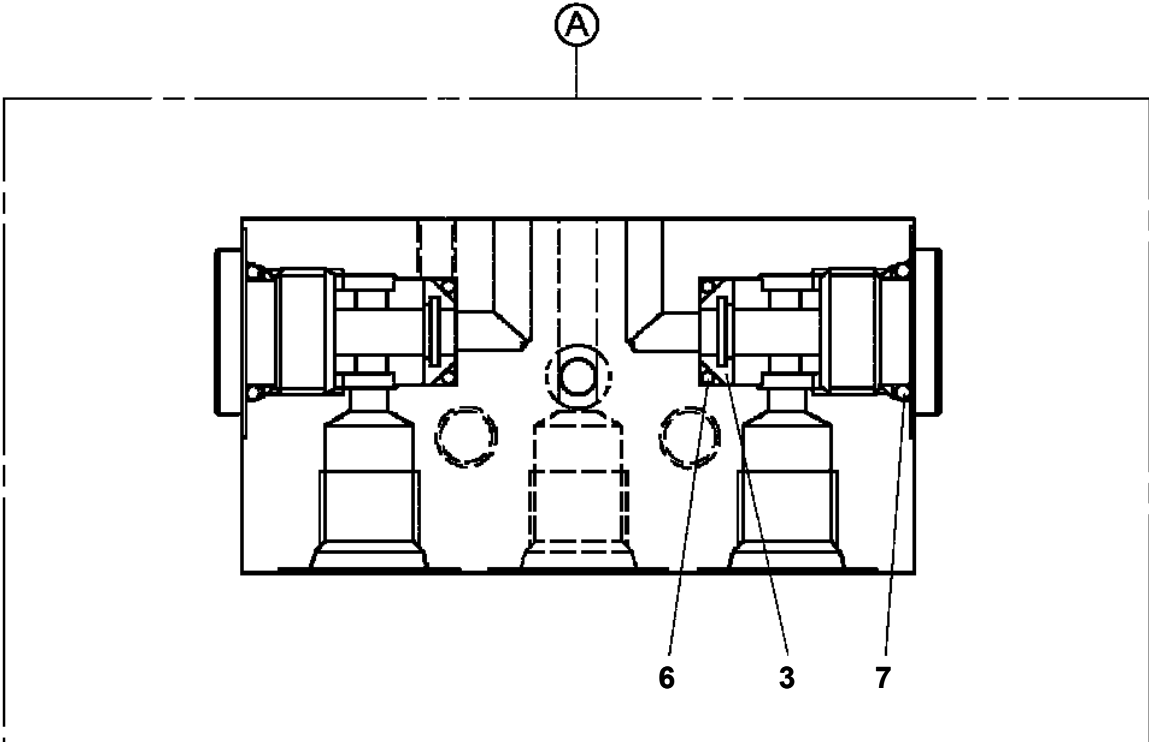
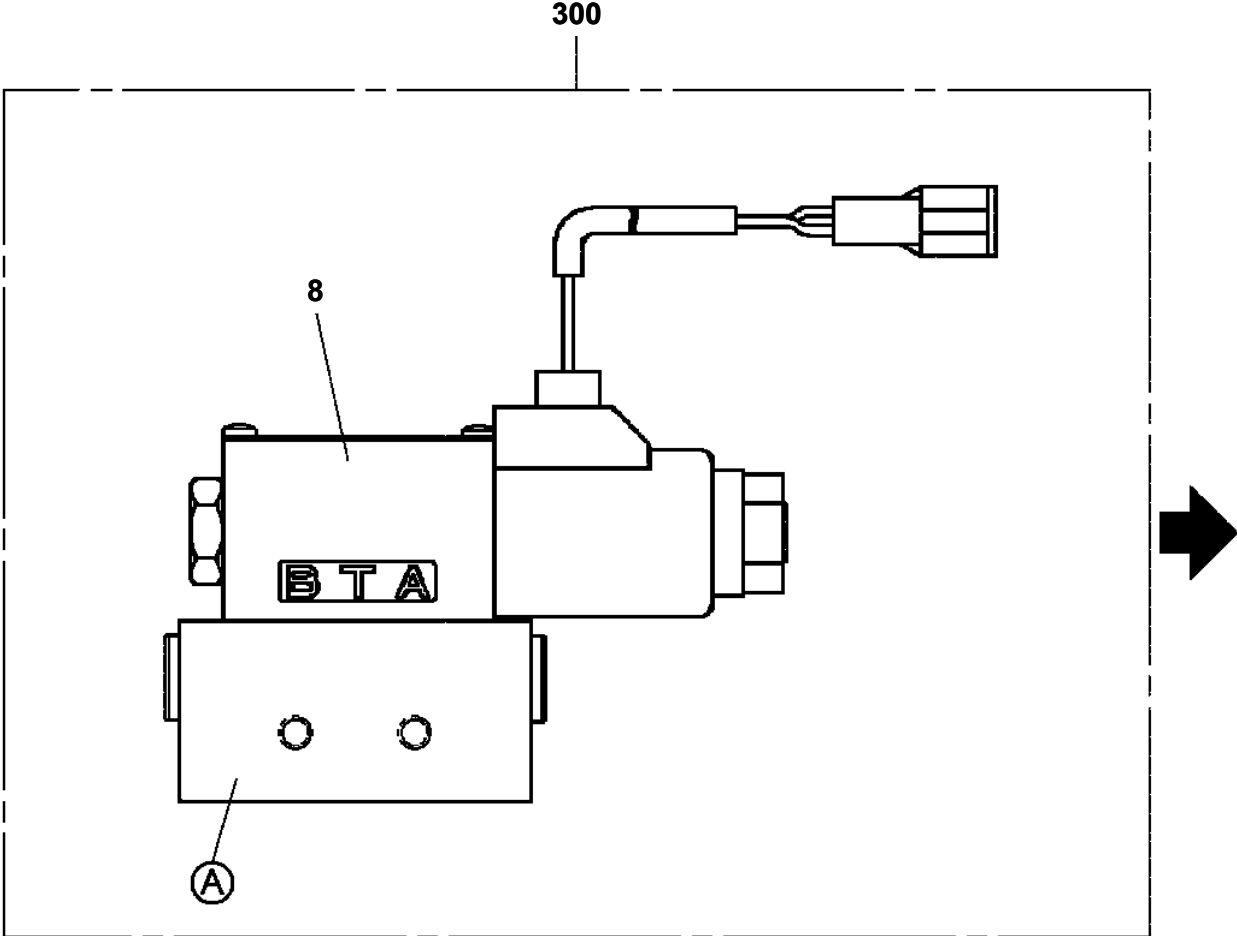
GT-300E-3-00301 4 BOOM + 2 JIB,2M2D
PH5050052-01 HEATER ASSY



GT-300E-3-00301 4 BOOM + 2 JIB,2M2D

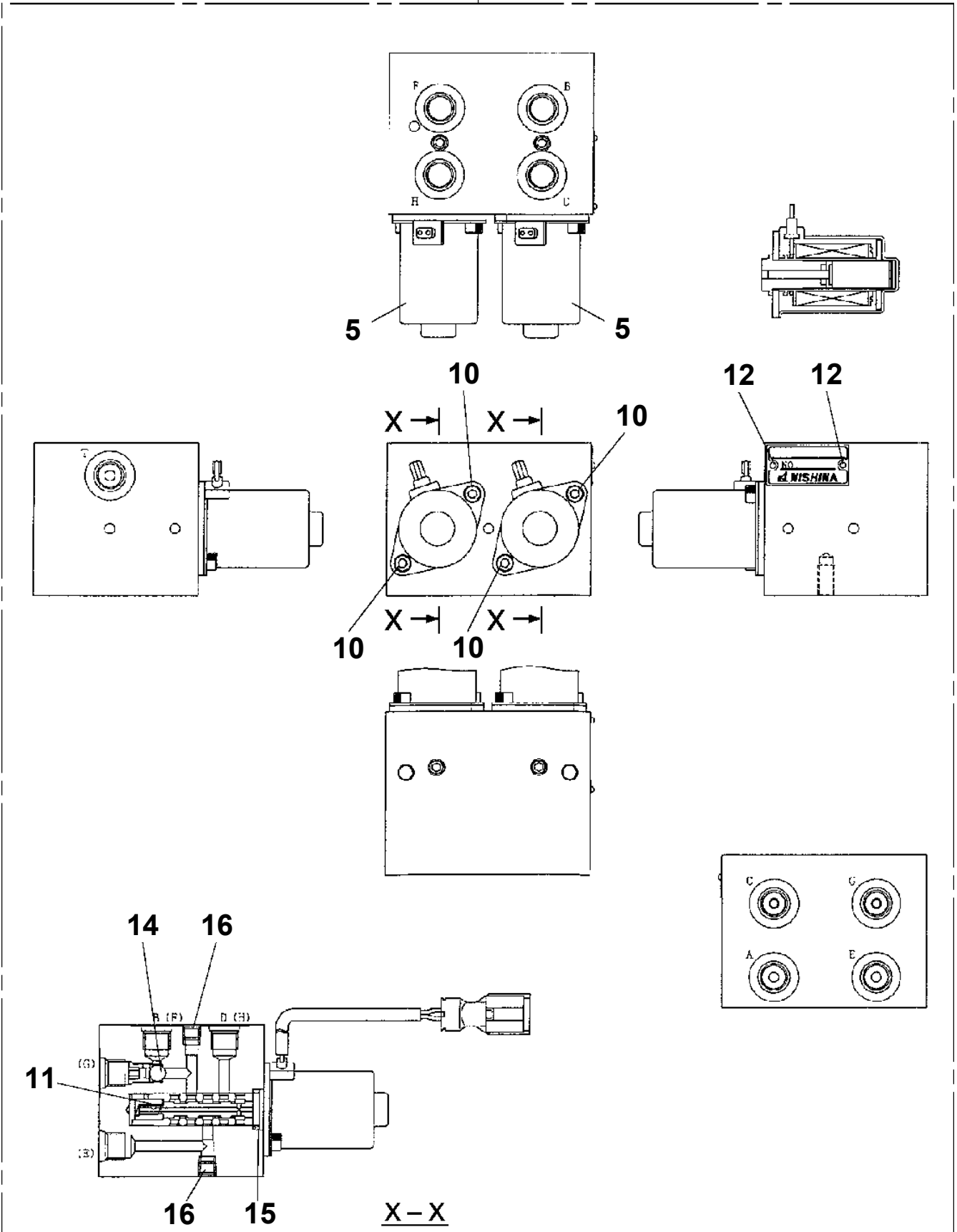
Pos No.	Parts No	Parts Name	Qty	Unit	Technical Data	Serial No (Start)	Serial No (End)	Remarks
1	36081275410	PISTON ASSY	1					
2	36663175010	CASING (SUB)	1					
3	36080865180	COVER ASSY (A,VALVE)	1					
4	36663175020	SHAFT,DRIVING	1					
5	36080865020	SPACER	1					
6	36080865030	CYLINDER	1					
7	36080865040	RETAINER	1					
8	36080865050	SPRING (CYLINDER)	1					
9	36080865060	ROD,PUSH	6					
10	36080865070	SPACER	1					
11	36080865080	SPACER (SPRING)	2					
12	36080865090	PLATE	1					
13	36080865100	PLATE (SHOE)	1					
14	36663175030	PLATE (VALVE A)	1					
15	90131512030	BOLT,HEXAGON SOCKET	4		M12X30			
16	80601110300	RING,RITAINING	1		S30			
17	80602110420	RING,RITAINING	1		R42			
18	80500006306	BEARING,BALL	1					
19	80500006204	BEARING,BALL	1					
20	91002913000	O-RING	1		1B G130			
21	36663175060	SEAL,OIL	1					
22	36080865130	PISTON (BRAKE)	1					
23	91002912500	O-RING	1		1B G125			
24	91002913500	O-RING	1		1B G135			
25	36081275350	SPRING (BRAKE)	20					
26	36080865150	PLATE (FRICTION)	3					
27	36080865160	PLATE (SEPARATOR)	4					
28	36081275230	PLUG	2					
41	36663175050	SEAL KIT	1					
100	36663170000	MOTOR,HYDRAULIC	1					

GT-300E-3-00301 4 BOOM + 2 JIB,2M2D
PI1120138-04 VALVE,SOLENOID



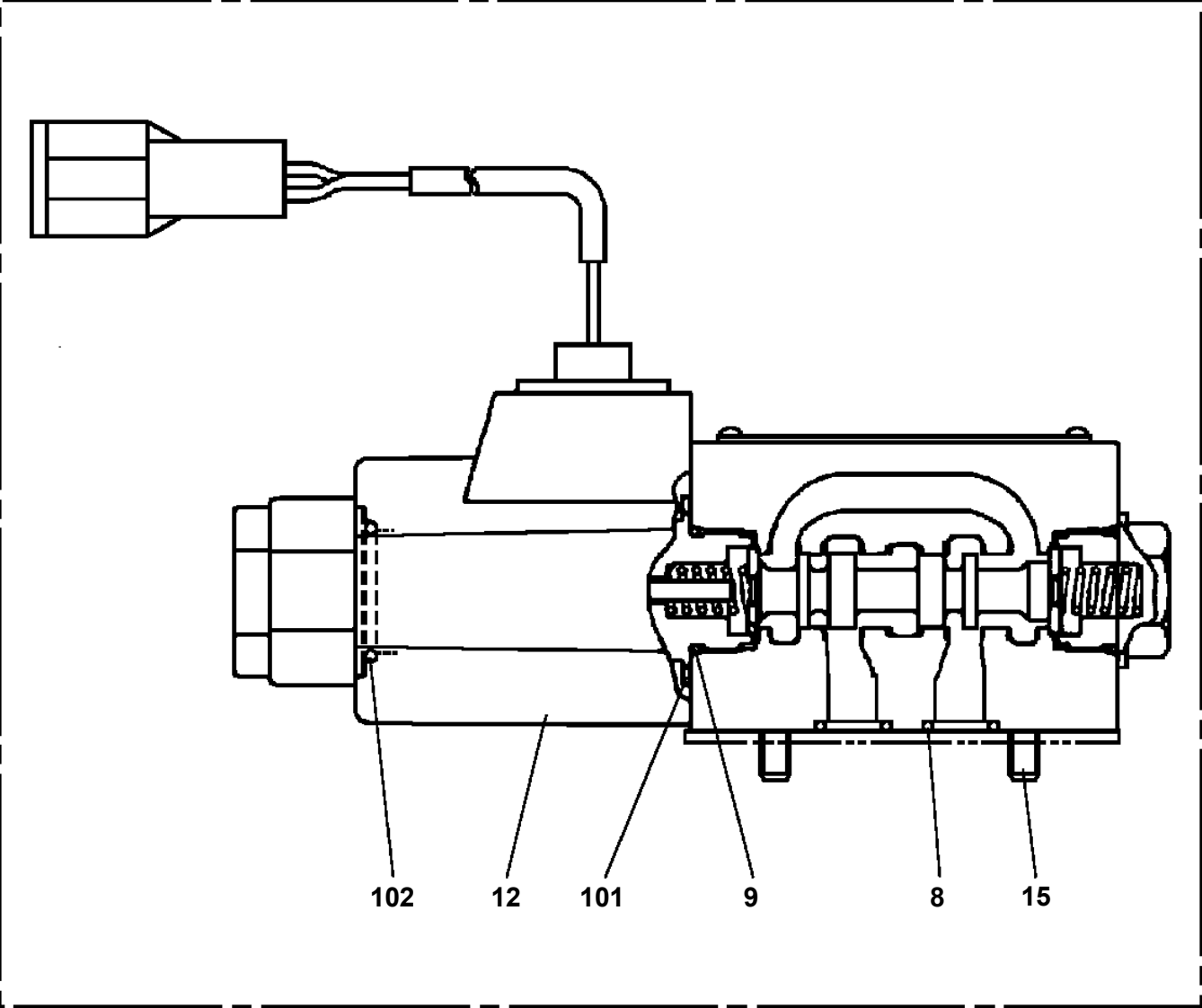
GT-300E-3-00301 4 BOOM + 2 JIB,2M2D
PI1120261-01 VALVE,SOLENOID

100

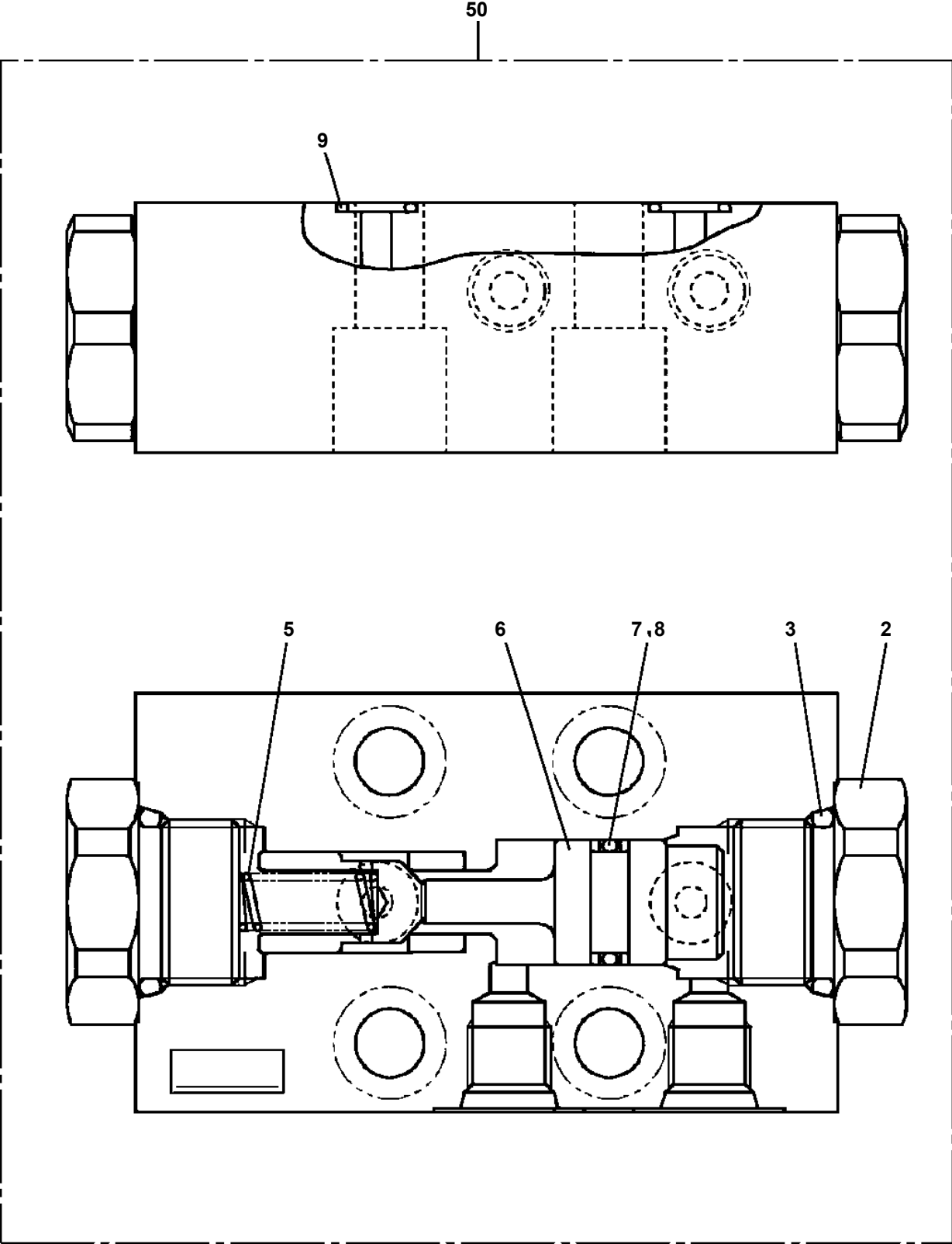


GT-300E-3-00301 4 BOOM + 2 JIB,2M2D
PI1120345-00 VALVE,SOLENOID

200

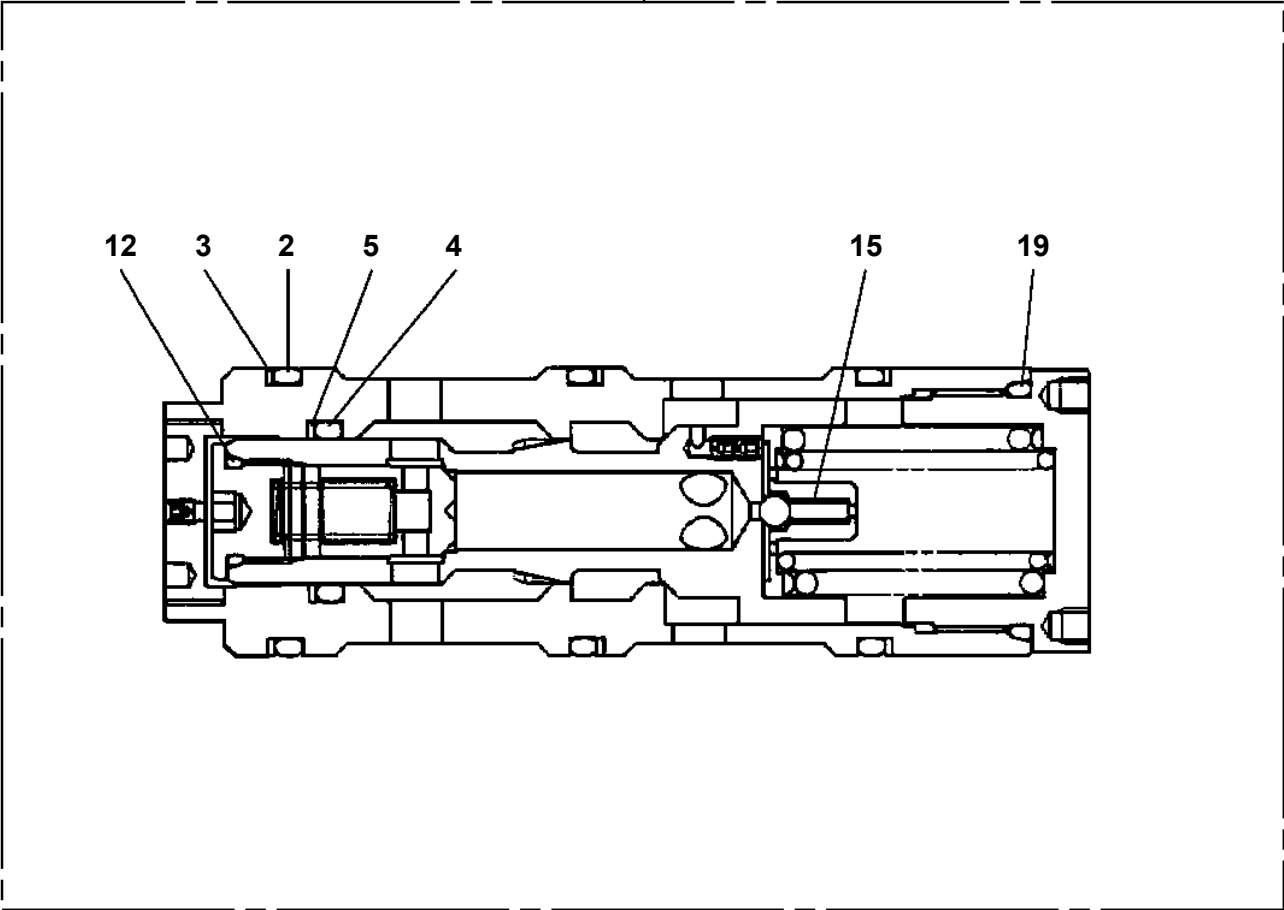


GT-300E-3-00301 4 BOOM + 2 JIB,2M2D
PI1140159-01 VALVE,CHECK



GT-300E-3-00301 4 BOOM + 2 JIB,2M2D
PI1260002-01 CARTRIDGE, COUNTERBALANCE

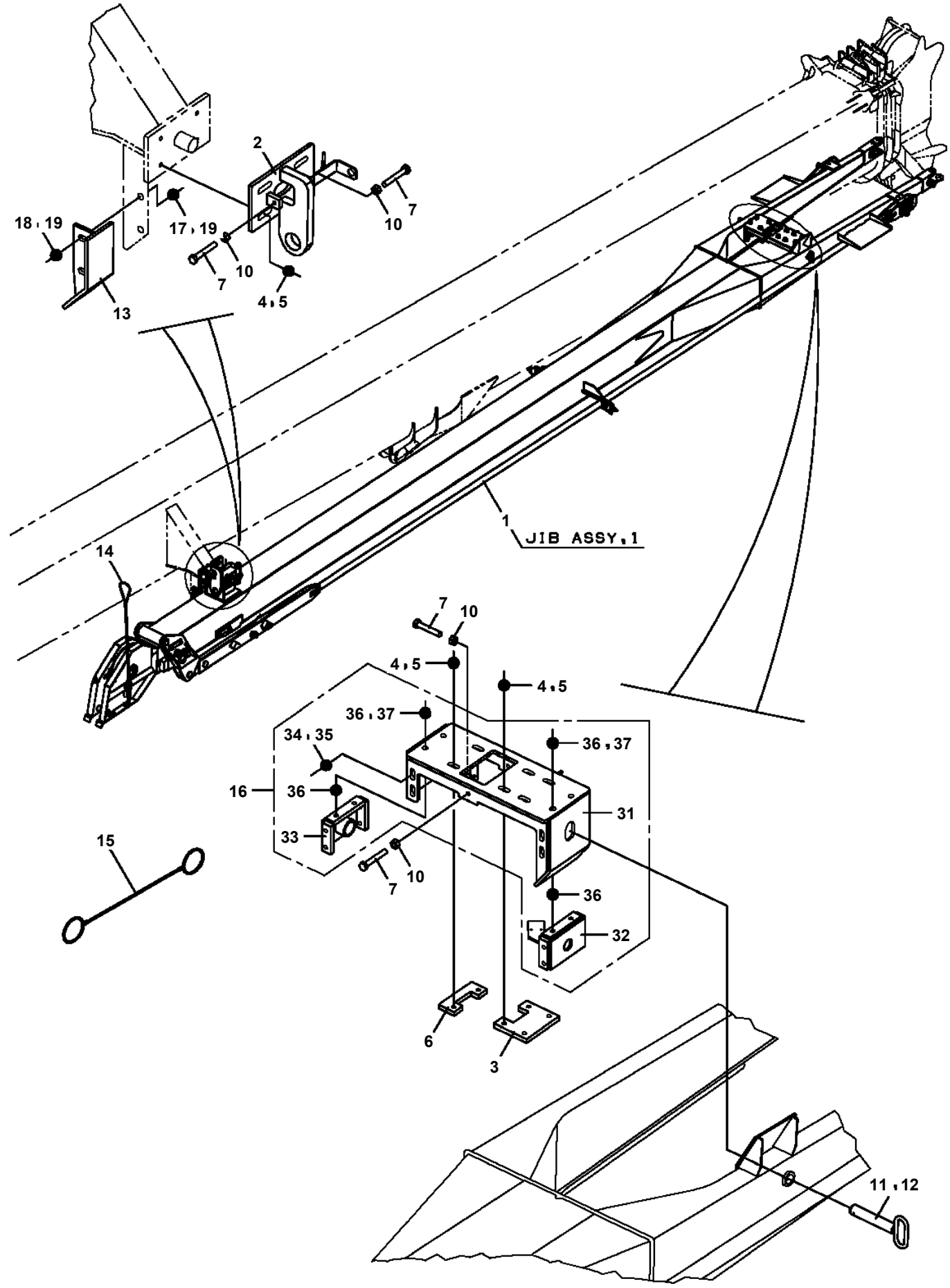
50



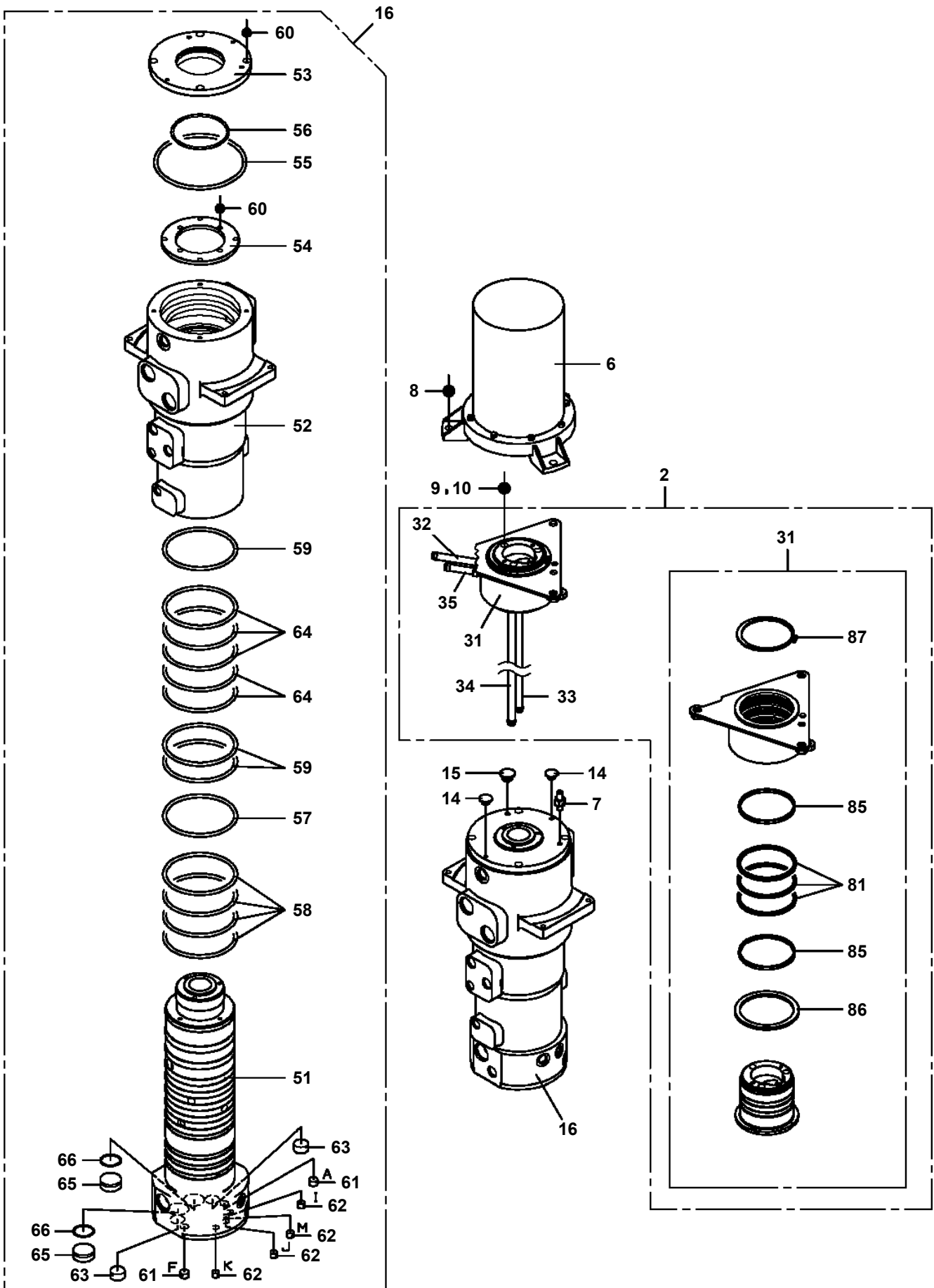
GT-300E-3-00301 4 BOOM + 2 JIB,2M2D

Pos No.	Parts No	Parts Name	Qty	Unit	Technical Data	Serial No (Start)	Serial No (End)	Remarks	Pages
1	82108503360	SWITCH	1						
2	34950750200	SUPPORT	1						
3	90186208014	BOLT,FLANGE	2		M8X14				

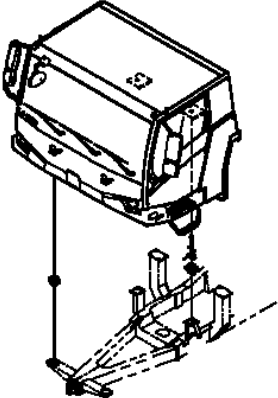
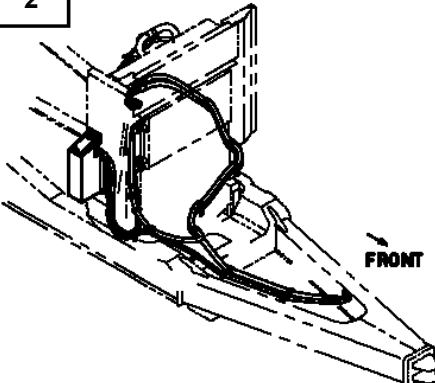
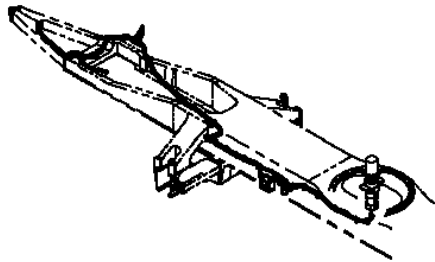
GT-300E-3-00301 4 BOOM + 2 JIB,2M2D
PJ5050100-00 JIB ASSY (MOUNT)



GT-300E-3-00301 4 BOOM + 2 JIB,2M2D
 PJ5090101-00 JOINT ASSY,SWIVEL



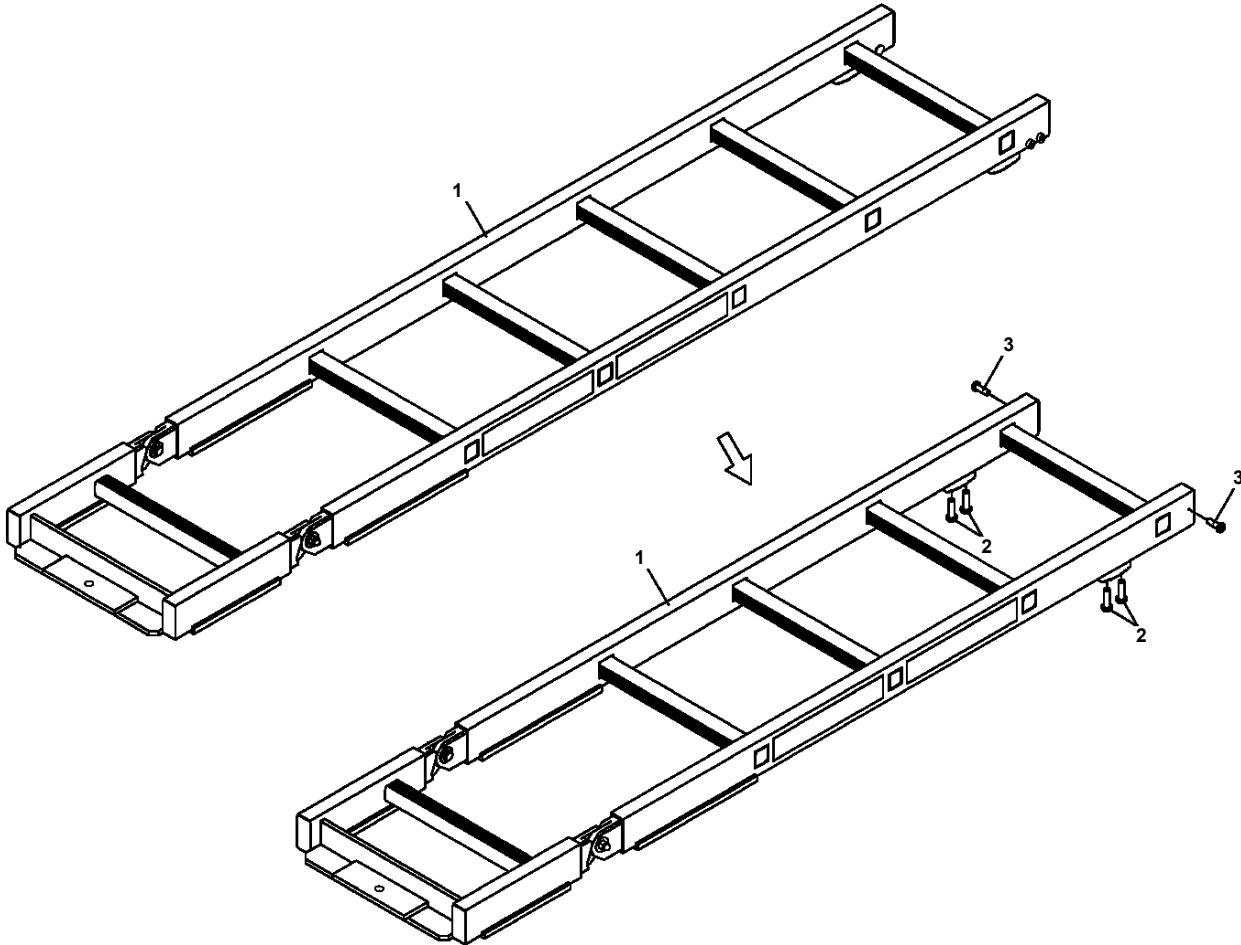
**GT-300E-3-00301 4 BOOM + 2 JIB,2M2D
PK5000074-00 CAB SYSTEM (LOWOR)**

<p>1</p> 	<p>2</p> 	<p>3</p> 

適用製造番号によっては取り付けがないものもあります。
MACHINES OF SOME SERIAL NO. ARE NOT EQUIPPED WITH THESE PARTS.

GT-300E-3-00301 4 BOOM + 2 JIB,2M2D

PL5010002-00 LADDER ASSY



CLICK HERE TO **DOWNLOAD** THE COMPLETE MANUAL

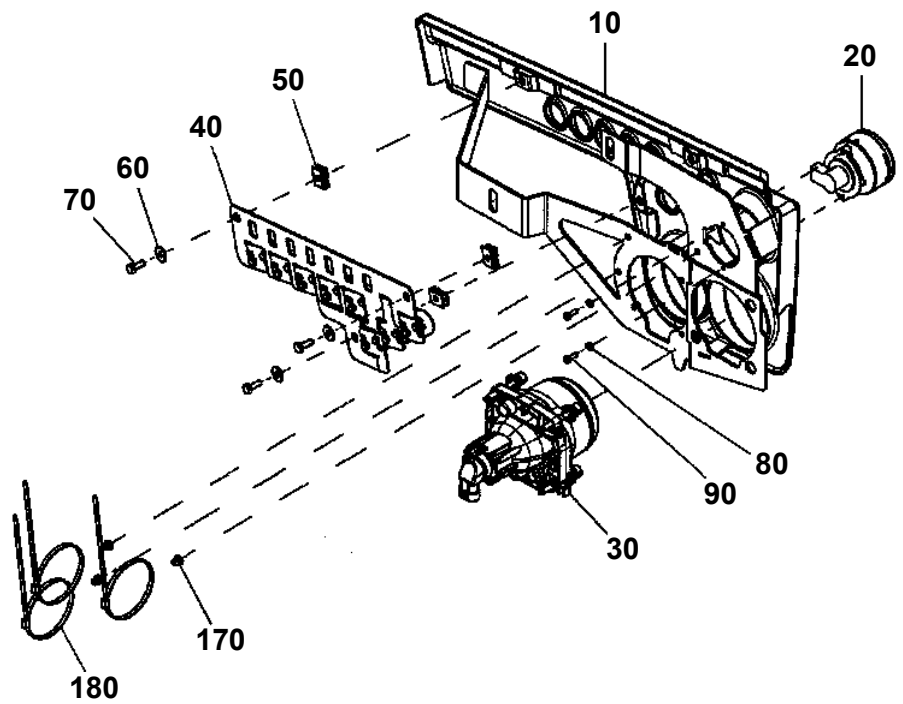
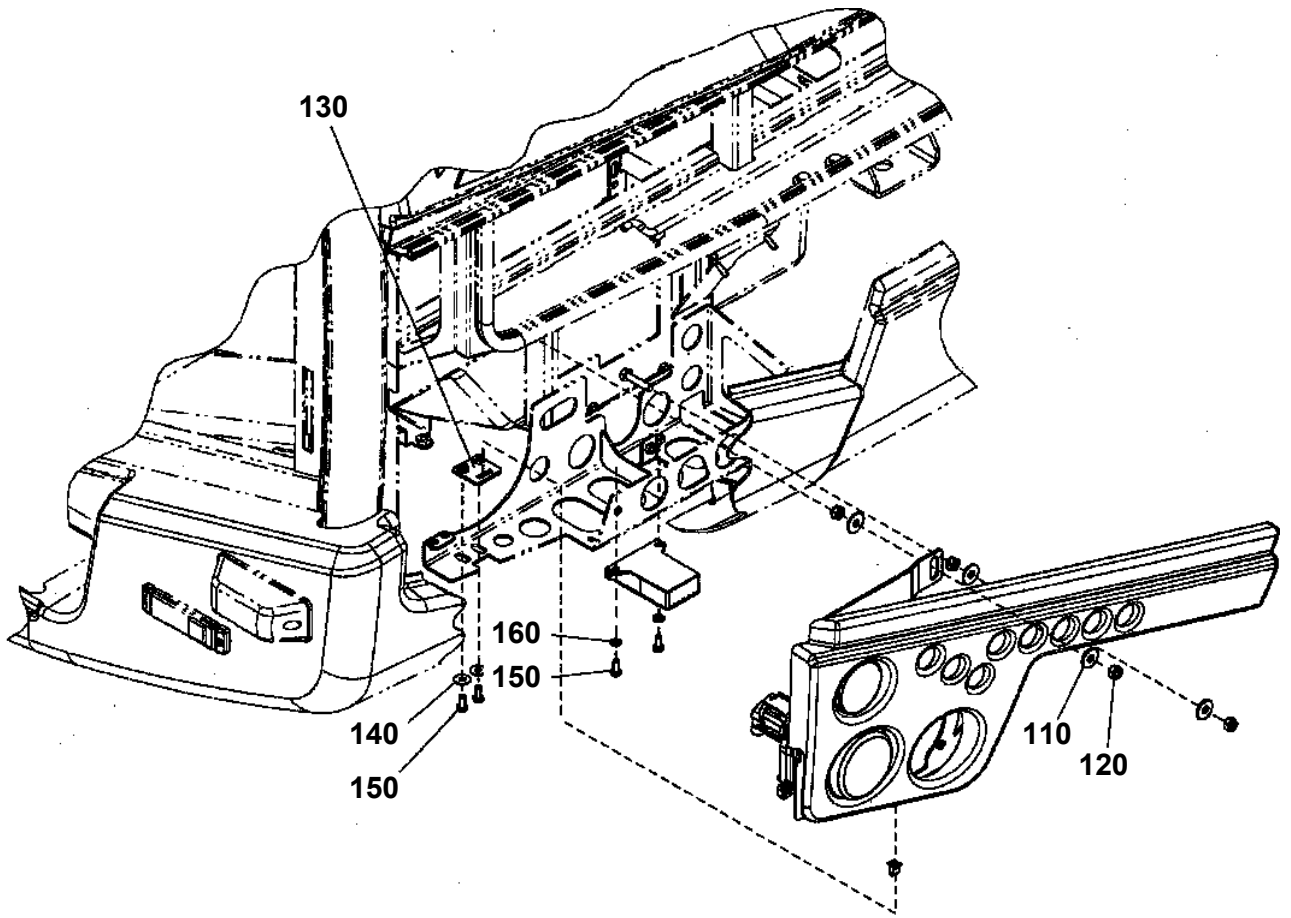
- Thank you very much for reading the preview of the manual.
- You can download the complete manual from: www.heydownloads.com by clicking the link below



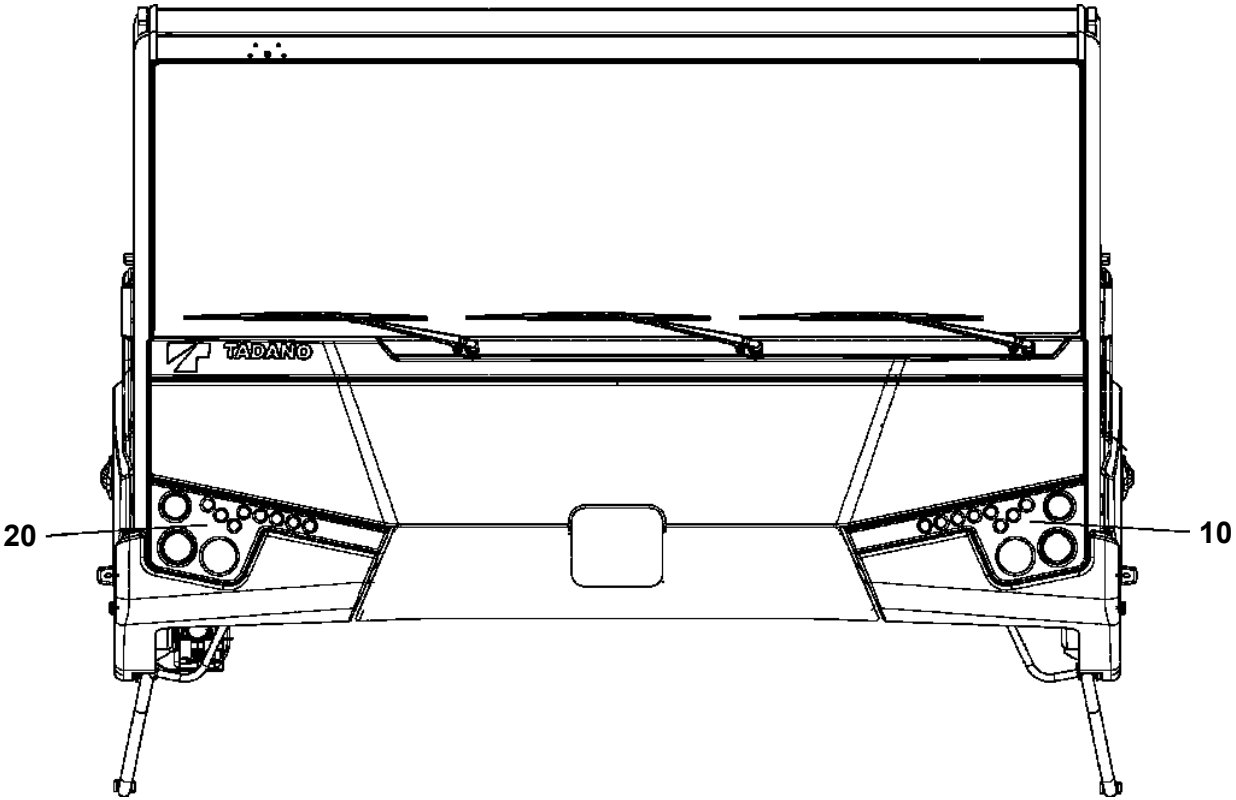
- Please note: If there is no response to CLICKING the link, please download this PDF first and then click on it.

CLICK HERE TO **DOWNLOAD** THE COMPLETE MANUAL

GT-300E-3-00301 4 BOOM + 2 JIB,2M2D
PL5020206-00 LAMP ASSY



GT-300E-3-00301 4 BOOM + 2 JIB,2M2D
PL5080004-00 LAMP ASSY,HEAD



GT-300E-3-00301 4 BOOM + 2 JIB,2M2D

Pos No.	Parts No	Parts Name	Qty	Unit	Technical Data	Serial No (Start)	Serial No (End)
1	34381461000	LEVER ASSY	1				
2	37000515600	PLATE	2		T=1.0		
3	80601110200	RING,RITAINING	1		S20		
4	80186406016	SCREW,MACHINE	4		M6X16		
5	34381110100	COVER	1				
6	90305260601	WASHER	4		B1-6		
7	37001708920	CABLE,CONTROL (MICHANG CABLE)	1				
	37001704420	CABLE,CONTROL (TADANO)	1				
8	34381441500	INSULATOR	1				
9	80192484012	SCREW,MACHINE (WITH WASHER)	3		M4X12		
10	82100001411	TUBE,SPIRAL	1	M	SE-08BK		
11	37000109680	PIN	1				
12	80136316012	PIN,SPLIT	1		1.6X12		
13	88200102060	END	1				
41	82430608050	GRIP	1				
42	34381111100	LEVER	1				
43	80136332025	PIN,SPLIT	1		3.2X25		
44	19119314000	SPRING	1				
45	37000104680	PIN	1				
46	80136320015	PIN,SPLIT	1		2X15		
47	90303070801	WASHER,PLAIN	1		8		
48	34381461100	LEVER	1				

GT-300E-3-00301 4 BOOM + 2 JIB,2M2D

Pos No.	Parts No	Parts Name	Qty	Unit	Technical Data	Serial No (Start)	Serial No (End)	Remarks	Pages
1	82400000464	MIRROR	1						
2	82400000466	MIRROR	1						
3	34494582000	SUPPORT	1						
4	90101208025	BOLT	2		M8X25				
5	90302040801	WASHER,SPRING	2		8				
6	90303070801	WASHER,PLAIN	2		8				
7	34496971000	SUPPORT ASSY	1						
8	90186210014	BOLT,FLANGE	4		M10X14				
31	34496971200	SUPPORT	1						
32	34496971100	SUPPORT	1						
33	90303071601	WASHER,PLAIN	2		16				
34	37001200470	SPRING	1						
35	80136330025	PIN,SPLIT	1						

GT-300E-3-00301 4 BOOM + 2 JIB,2M2D

Pos No.	Parts No	Parts Name	Qty	Unit	Technical Data	Serial
2	(*****)	WEATHER STRIP ASSY	1			4306
3	(*****)	MODIFICATION ASSY (COVER:WITHOUT FOG LAMP/CARRIER CAB)	1			
7	(*****)	MODIFICATION ASSY (CUSHION:REAR BLINKERS/CARRIER CAB)	1			
8	(*****)	SUPPORT ASSY (DASHBOARD SUPPORT BAR)	1			
10	(*****)	COVER ASSY (NO SPEAKER)	1			
11	(*****)	MODIFICATION ASSY (ADD AN IRON BRACKET BETWEEN MIRROR)	1			
24	(*****)	MODIFICATION ASSY (ACCESS GRIP MOUNTING)	1			
25	(*****)	MODIFICATION ASSY (SEAT HEATER HARNESS PROTEKTOR)	1			

GT-300E-3-00301 4 BOOM + 2 JIB,2M2D

Pos No.	Parts No	Parts Name	Qty	Unit	Technical Data	Serial No (Start)	Serial No (End)	Remarks	Page
1	82100001801	TUBE,CORRUGATE	1	M	7				
2	82100001802	TUBE,CORRUGATE	1	M	10				

GT-300E-3-00301 4 BOOM + 2 JIB,2M2D

Pos No.	Parts No	Parts Name	Qty	Unit	Technical Data	Serial No (Start)	Serial No (End)	Remarks	Pages
6	91002801100	O-RING	4		1B P11				

GT-300E-3-00301 4 BOOM + 2 JIB,2M2D

Pos No.	Parts No	Parts Name	Qty	Unit	Technical Data	Serial No (Start)	Serial No
11	36193345010	BOARD ASSY (CON1,CON2)	1				
13	36193345030	CASE (WITH SEAT)	1				
41	36198375010	BOARD ASSY (WITH DATA CPU,DISP,LCD)	1				
61	36193345060	BATTERY (LITHIUM)	1				
100	36198370000	MOMENT LIMITER:AML	1				

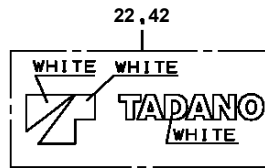
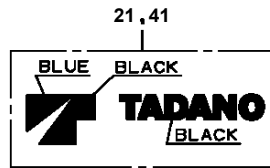
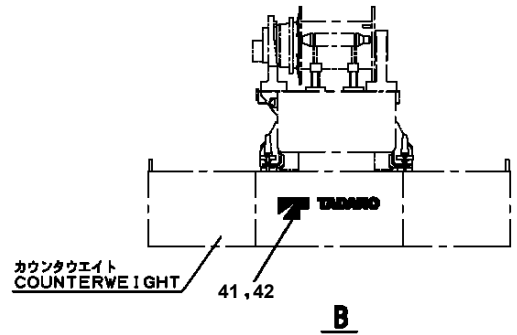
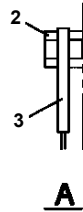
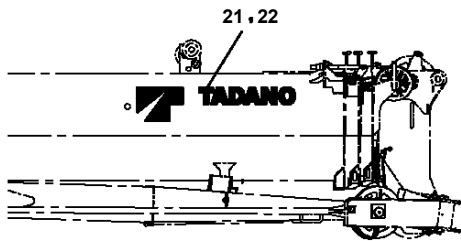
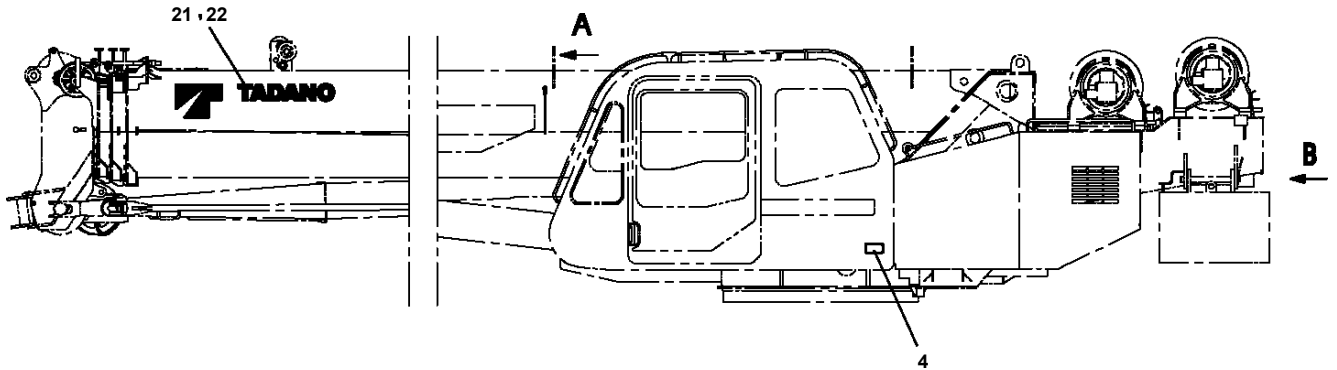
GT-300E-3-00301 4 BOOM + 2 JIB,2M2D

Pos No.	Parts No	Parts Name	Qty	Unit	Technical Data	Serial No (Start)	Serial No (End)	Remarks
3	36171095010	BOARD,CPU (WITH DATA)	1					
100	36171090000	CONTROLLER	1					

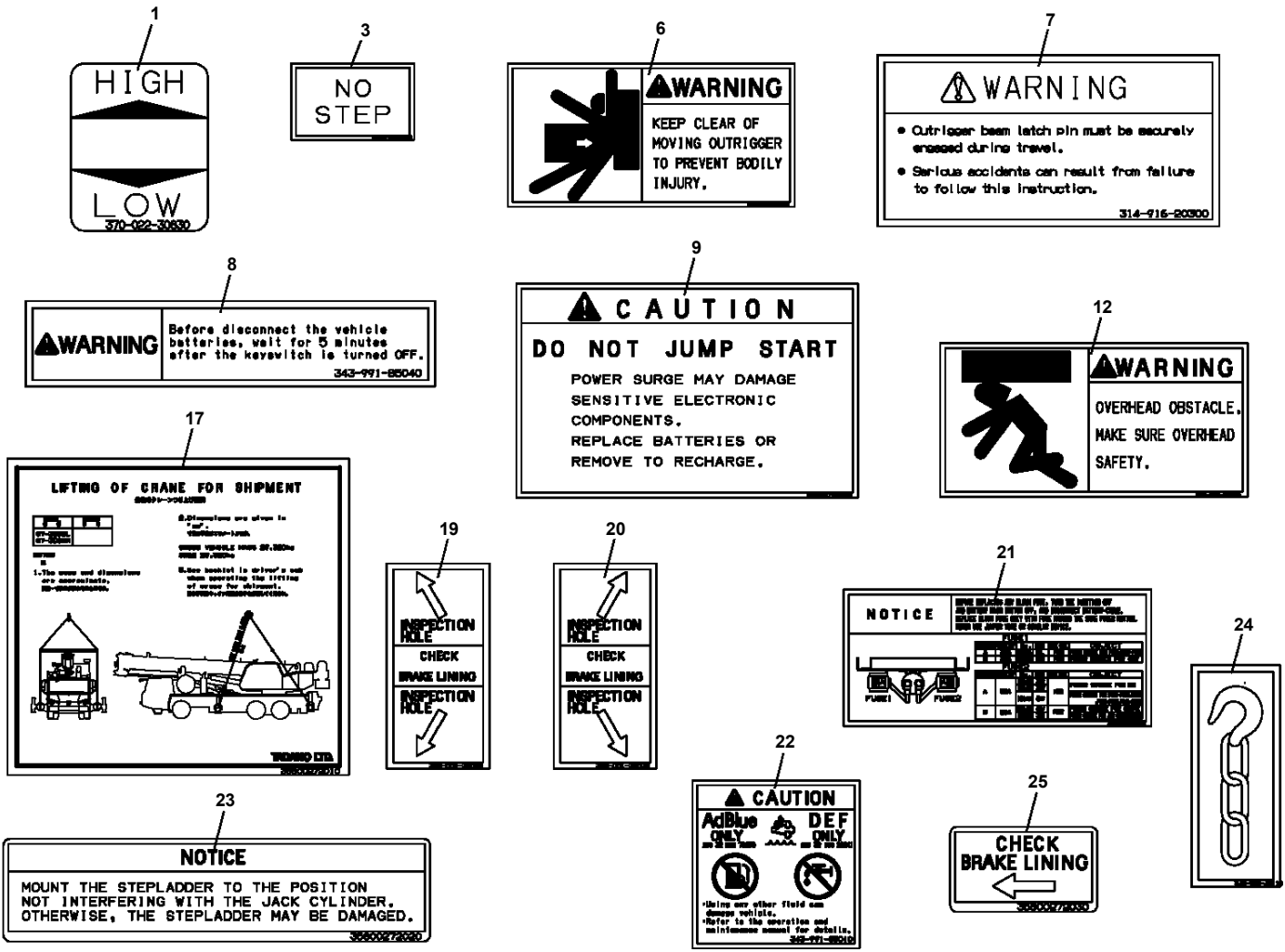
GT-300E-3-00301 4 BOOM + 2 JIB,2M2D

Pos No.	Parts No	Parts Name	Qty	Unit	Technical Data	Serial No (Start)	Serial No (End)
1	37002214500	PLATE,NAME (TADANO BLUE+BLACK)	2				
2	37002214520	PLATE,NAME (TADANO WHITE+WHITE)	2				

GT-300E-3-00301 4 BOOM + 2 JIB,2M2D
 PN5011866-00 NAME PLATE ASSY (UPPER 2/ENGLISH)

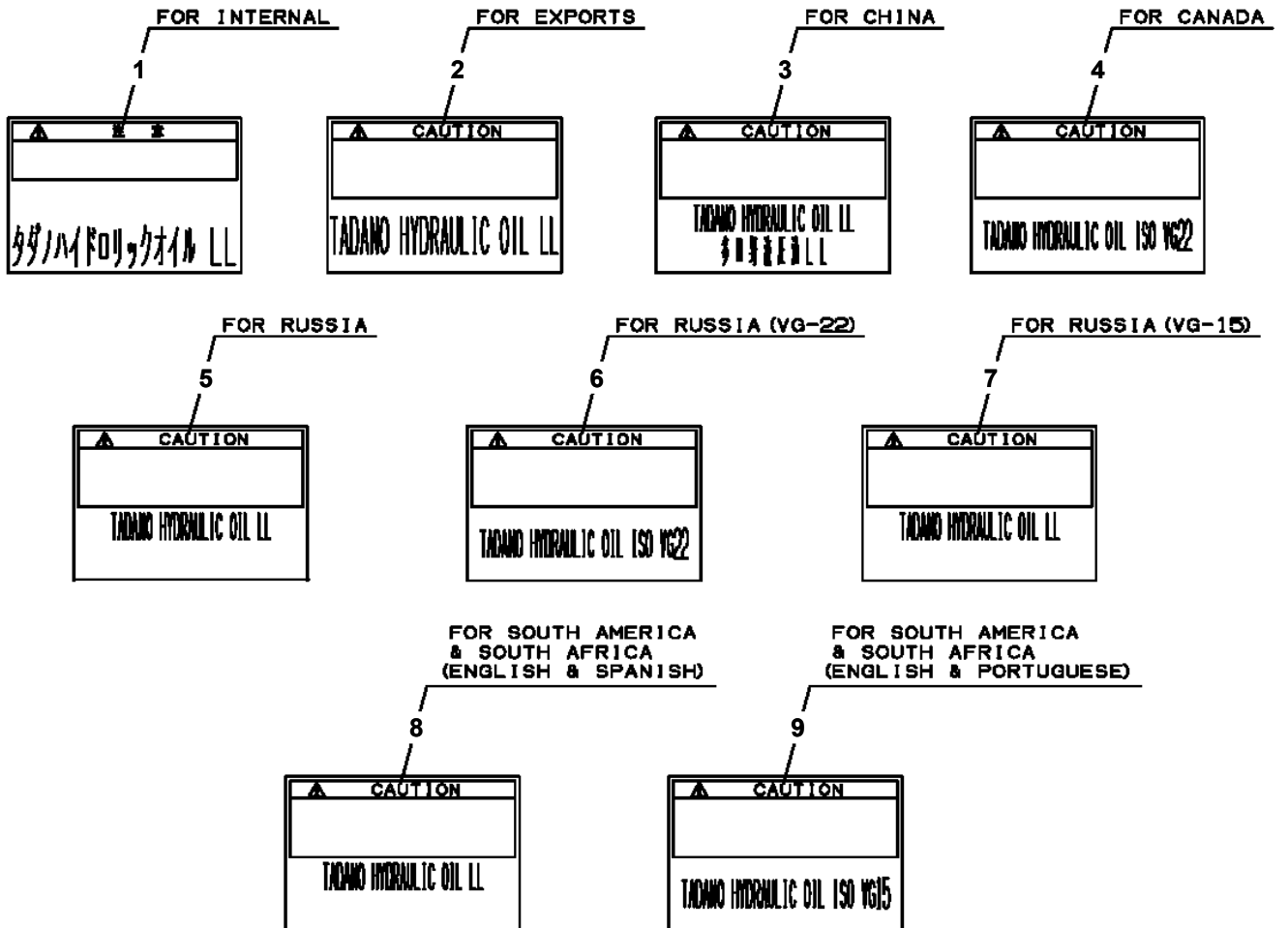
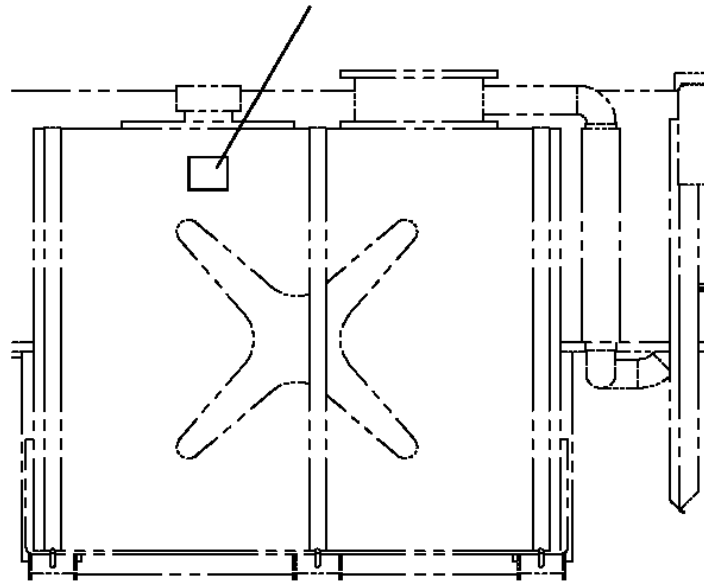


**GT-300E-3-00301 4 BOOM + 2 JIB,2M2D
PN5011872-02 NAME PLATE ASSY (LOWER /ENGLISH)**



GT-300E-3-00301 4 BOOM + 2 JIB,2M2D
 PO1012825-05 PLATE ASSY,NAME (OIL)

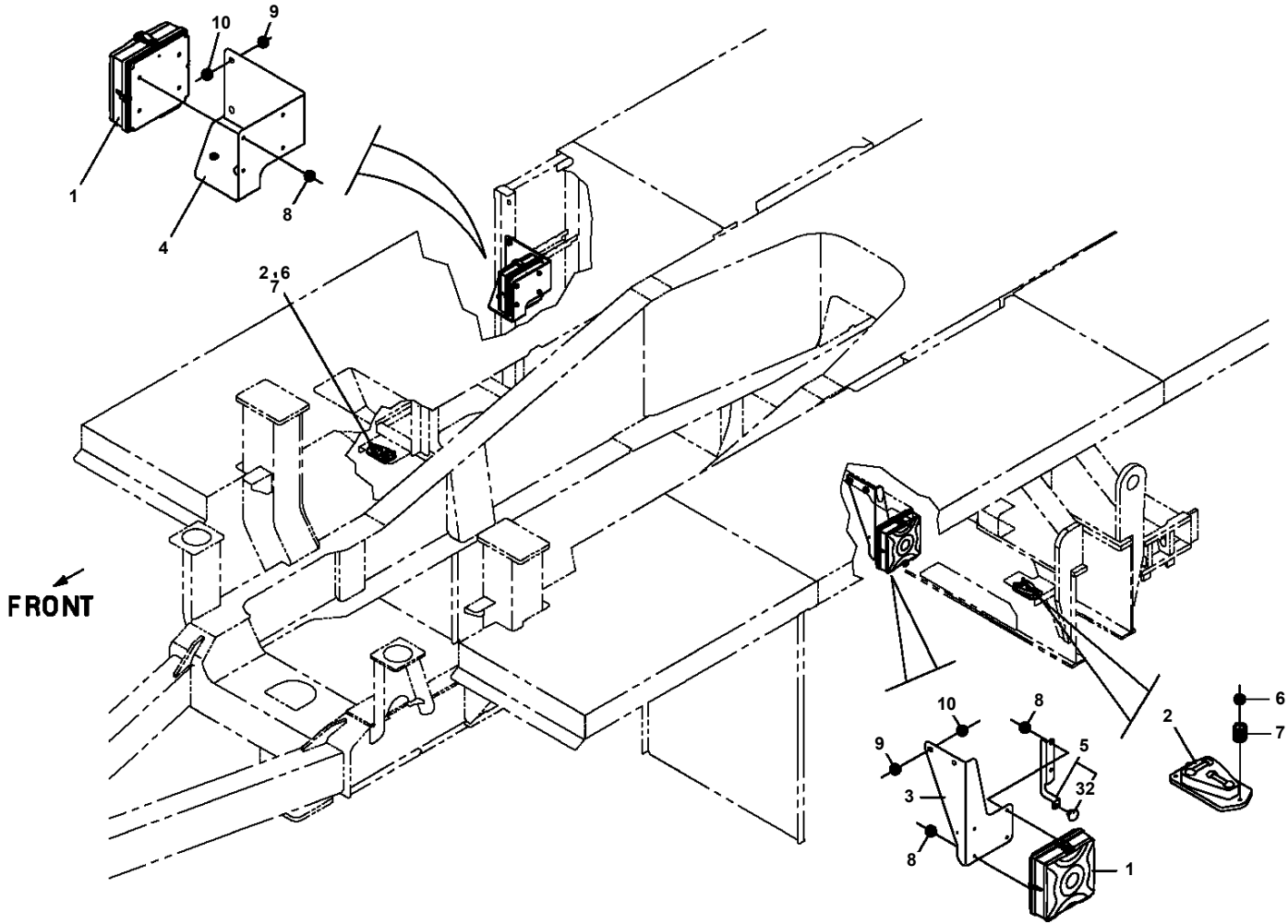
1 OR 2 OR 3 OR 4 OR 5
 5 OR 6 OR 7 OR 8 OR 9



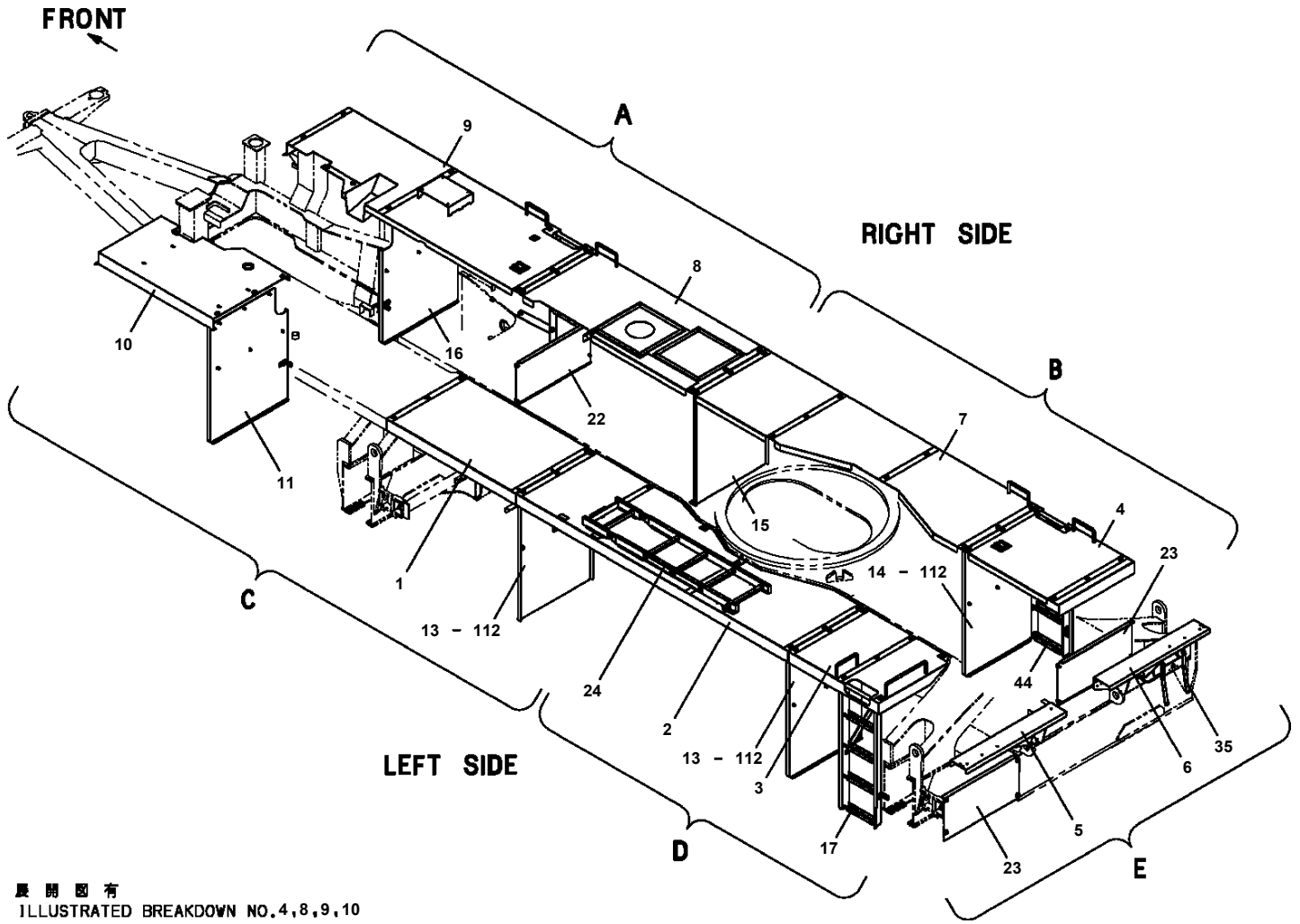
GT-300E-3-00301 4 BOOM + 2 JIB,2M2D

Pos No.	Parts No	Parts Name	Qty	Unit	Technical Data	Serial No (Start)	Serial No (End)	Remarks	P
1	35320110100	PIPE ASSY	1		6.35XT0.7 L=648.2				
2	59259010000	PACKING (COPPER)	1						
3	37000933890	JOINT	1		S,M14-R1/8				
4	37000904210	FITTING,ELBOW	1						
5	37000932560	FITTING	1						
6	90211201200	NUT	1		M12				
7	90304111201	WASHER,TOOTH	1		12				
22	37000904810	NUT,FLARE	2		M12				

GT-300E-3-00301 4 BOOM + 2 JIB,2M2D
PO5120026-00 OPE.ASSY,OUTRIGGER



GT-300E-3-00301 4 BOOM + 2 JIB,2M2D
PO5260134-01 OUTER COVERING ASSY (FENDER)

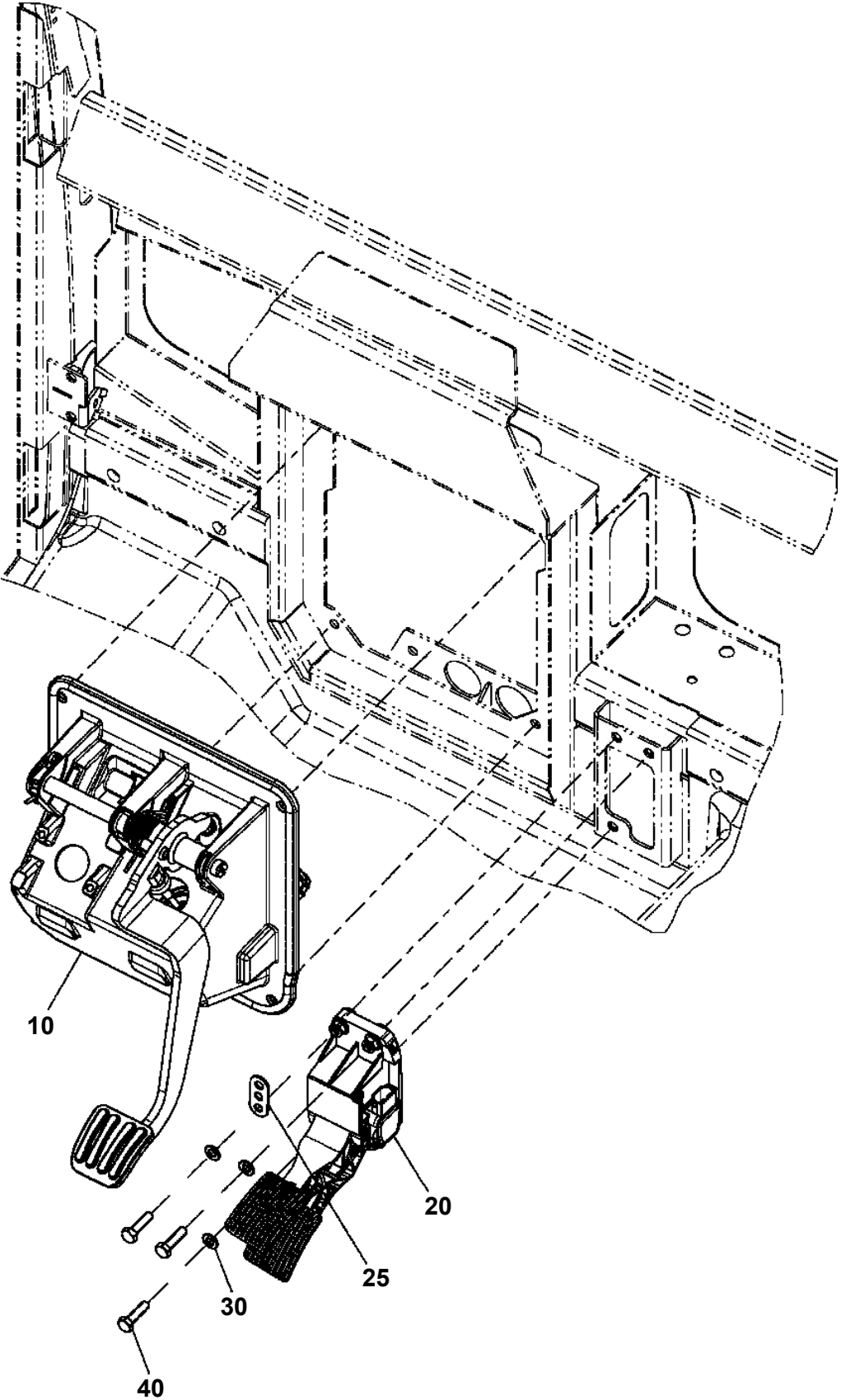


展開圖有
 ILLUSTRATED BREAKDOWN NO.4,8,9,10

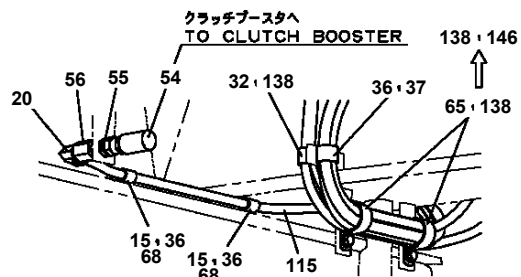
GT-300E-3-00301 4 BOOM + 2 JIB,2M2D

Pos No.	Parts No	Parts Name	Qty	Unit	Technical Data	Serial No (Start)	Serial No (End)	Remarks
1	35220101000	CASE,INNER	1					
2	36042240000	CYLINDER,EXTENSION	1					
3	37002406680	HOSE,TWIN	1		L=3250 TO 3150			
4	36625030000	VALVE,CHECK	1					
5	90172110030	BOLT,HEXAGON SOCKET	4		M10X30			
6	36037850000	CYLINDER ASSY,JACK	1					
7	90302041601	WASHER,SPRING	4		16			
8	90171116075	BOLT	4		M16X75			
9	91002801100	O-RING	2		1B P11			
10	80400160127	JOINT	2					
11	82100002535	TUBE,SPIRAL	1	M	SE-29BK			
12	33610680100	SUPPORT ASSY	1					
13	90101210016	BOLT	4		M10X16			
14	90302041001	WASHER,SPRING	4		10			
15	80430620400	JOINT	2					
16	80602110300	RING,RITAINING	2		R30			
17	37000150650	PIN	2					
18	90186208020	BOLT,FLANGE	1		M8X20			
19	90280200800	NUT,FLANGE	1		M8			
20	82100002039	CLAMP	1					
52	33610240120	PLATE,SLIDE	1					
53	90180210040	BOLT,BUTTON	2		M10X40			
54	90302041001	WASHER,SPRING	2		10			
61	91002801100	O-RING	2		1B P11			
100	35220100100	OUTRIGGER ASSY (FRONT)	1					

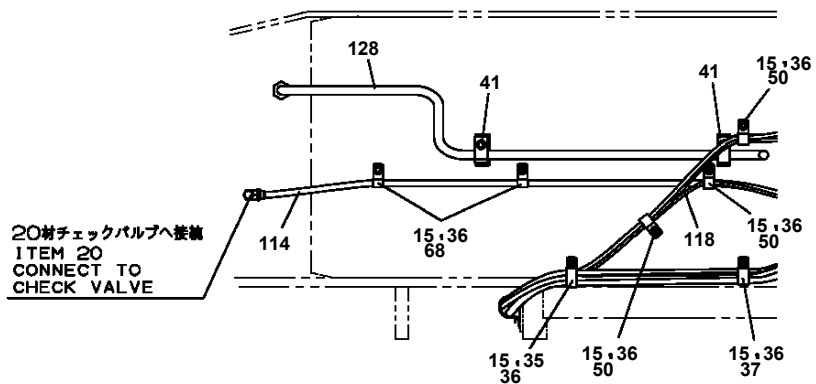
GT-300E-3-00301 4 BOOM + 2 JIB,2M2D
PP5190002-00 PEDAL ASSY



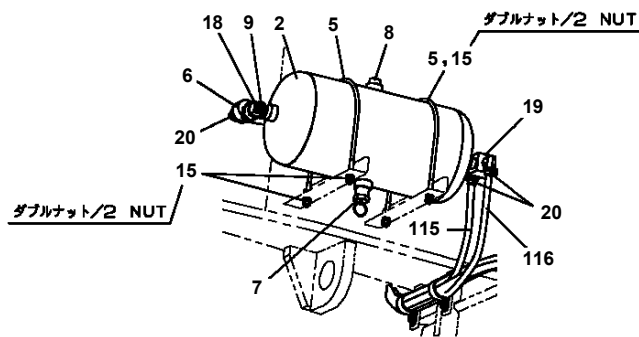
**GT-300E-3-00301 4 BOOM + 2 JIB,2M2D
PP6020056-03 PIPING ASSY,AIR (FRONT)**



O
O/Rケース,アウタ前面
O/R CASE, OUTER FRONT SIDE

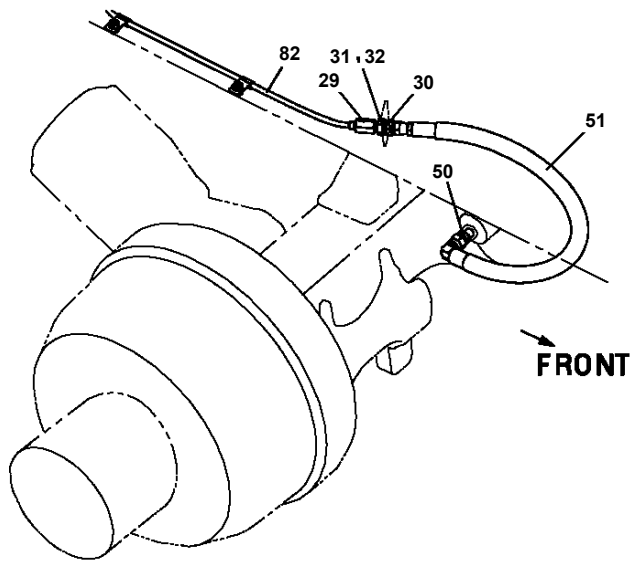


P
フレーム外部左側
FRAME OUTSIDE LEFT SIDE

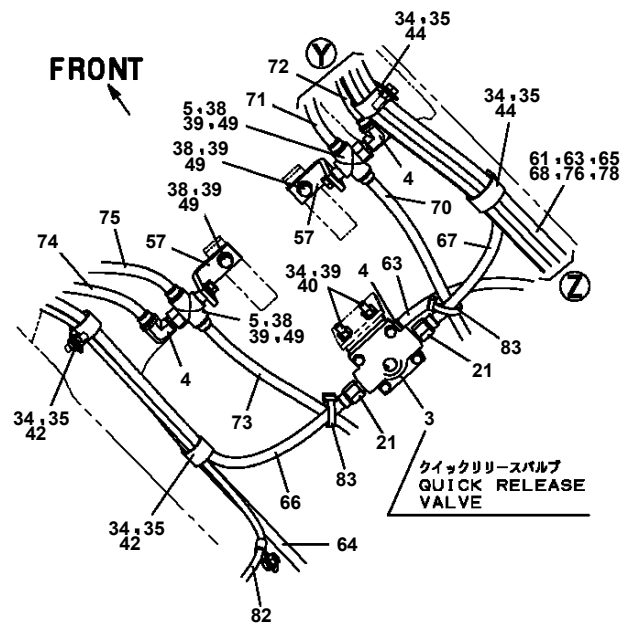


R
11Lタンク取付
MOUNT 11L AIR TANK

GT-300E-3-00301 4 BOOM + 2 JIB,2M2D
 PP6020058-01 PIPING ASSY,AIR (REAR)



H
 3軸右側デフロック
 3rd-AXLE RIGHT SIDE DEF LOCK



I
 ブレーキ接続部
 BRAKE CONNECT PART

GT-300E-3-00301 4 BOOM + 2 JIB,2M2D

Pos No.	Parts No	Parts Name	Qty	Unit	Technical Data	Serial No (Start)	Serial No (End)	Re
1	36646080000	VALVE,SOLENOID	1					
2	90186208016	BOLT,FLANGE	2		M8X16			
3	80302090141	FITTING	2		KCO12-020N			
4	80303130141	FITTING,ELBOW	2		KLO12-020E			
5	91002801100	O-RING	2		1B P11			
6	80306010165	NUT	1		KKN018-000E			
7	80309010165	SLEEVE	1					
8	80330001300	FITTING,TEE	1		KTR18-120N			
9	37000701500	CLAMP ASSY	1		12X1			
10	80321112000	VALVE,CHECK	1					
11	80320010085	FITTING	1		KUD12-040N			
12	91002801400	O-RING	1		1B P14			
13	80400160120	FITTING	2		20376-U1/2X1/2			
14	80441010908	FITTING	2		PF1/2-12.7			
15	37000711010	CLAMP ASSY	1		18X1			
16	80441010904	FITTING (WITH O-RING)	8		S G1/4-12.7			
17	80400160126	FITTING,TEE	14		20364-U1/2			
18	80441030904	FITTING,ELBOW (WITH O-RING)	1		L,G1/4-12.7			
19	80441010906	FITTING	1					
20	80441030906	FITTING,ELBOW	2		L,G3/8-12.7			
21	37000925680	JOINT	1		S,G3/8-G3/8			
22	89640101000	HOSE	1		880-NFK,1M			
23	89640101000	HOSE	1		880-NFK,1M			
24	89640101000	HOSE	1		880-NFK,1M			
25	81408000241	PIPE,STEEL	1	M	18X1.9T			
26	89640101000	HOSE	1		880-NFK,1M			
27	89640101000	HOSE	1		880-NFK,1M			
28	89640101000	HOSE	1		880-NFK,1M			
29	89640101000	HOSE	1		880-NFK,1M			
30	89640101000	HOSE	1		880-NFK,1M			
31	89640101000	HOSE	1		880-NFK,1M			
32	89640101000	HOSE	1		880-NFK,1M			
33	89640101000	HOSE	1		880-NFK,1M			
34	89640102000	HOSE	1		880-NFK,2M			
36	89640101000	HOSE	1		880-NFK,1M			
38	89640101000	HOSE	1		880-NFK,1M			
39	89640101000	HOSE	1		880-NFK,1M			
40	89640101000	HOSE	1		880-NFK,1M			
41	81408000160	PIPE,STEEL	1	M	12X1.4T			
42	89640102000	HOSE	1		880-NFK,2M			
43	89640101000	HOSE	1		880-NFK,1M			
44	89640101000	HOSE	1		880-NFK,1M			
46	89640101000	HOSE	1		880-NFK,1M			
47	81408000160	PIPE,STEEL	1	M	12X1.4T			
49	89640101000	HOSE	1		880-NFK,1M			
53	89640101000	HOSE	1		880-NFK,1M			
54	82100002009	CLAMP	4		WRC12			
55	90280200800	NUT,FLANGE	4		M8			
56	89640101000	HOSE	1		880-NFK,1M			
57	90201200800	NUT	4		M8			
59	89640102000	HOSE	1		880-NFK,2M			
61	81408000160	PIPE,STEEL	1	M	12X1.4T			
62	81408000160	PIPE,STEEL	1	M	12X1.4T			
63	80320010140	FITTING	1		KUD18-040N			
64	91810130250	FASTENER	15					
65	89640102000	HOSE	1		880-NFK,2M			
66	89640101000	HOSE	1		880-NFK,1M			
67	89640101000	HOSE	1		880-NFK,1M			
68	89640101000	HOSE	1		880-NFK,1M			
69	89640101000	HOSE	1		880-NFK,1M			
70	89640101000	HOSE	1		880-NFK,1M			
71	91810160010	HOLDER	2					
72	91810130270	FASTENER	4					

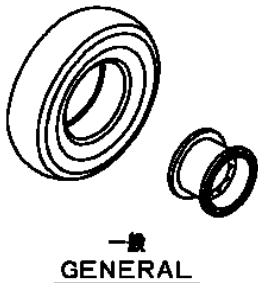
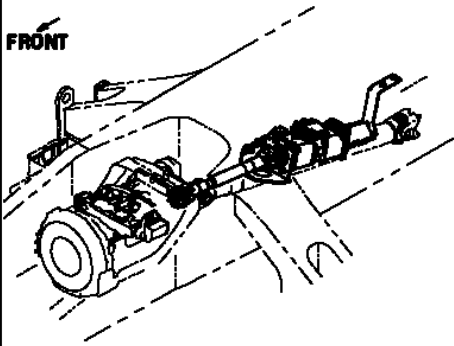
GT-300E-3-00301 4 BOOM + 2 JIB,2M2D

Pos No.	Parts No	Parts Name	Qty	Unit	Technical Data	Serial No (Start)	Serial No (End)	R
64	81408000160	PIPE,STEEL	1	M	12X1.4T			
65	81408000241	PIPE,STEEL	1	M	18X1.9T			
66	81408000241	PIPE,STEEL	3	M	18X1.9T			
68	81408000160	PIPE,STEEL	1	M	12X1.4T			
69	37002442360	HOSE	1		L=600			
70	80430620800	JOINT	1					
101	91002802900	O-RING	1		1B P29			
111	91002801800	O-RING	3		1B P18			
121	91002801400	O-RING	1		1B P14			

GT-300E-3-00301 4 BOOM + 2 JIB,2M2D

Pos No.	Parts No	Parts Name	Qty	Unit	Technical Data	Serial No (Start)	Serial No (End)	Remarks
63	90186208014	BOLT,FLANGE	3		M8X14			
64	90186208025	BOLT,FLANGE	2		M8X25			
65	90280200800	NUT,FLANGE	2		M8			
66	37000926890	JOINT	1		S G1-G3/4			
67	80471020506	JOINT	1		45,G3/4-G3/4			
68	37002473410	HOSE	1		L=870			
69	37012403070	HOSE	1		L=970			
70	90172110030	BOLT,HEXAGON SOCKET	8		M10X30			
71	90302041001	WASHER,SPRING	18		10			
72	90171110035	BOLT	8		M10X35			
73	90101210060	BOLT	2		M10X60			
74	81408000341	PIPE,STEEL	2	M	28X3.1T			
75	81408000290	PIPE,STEEL	1	M	22X2.5T			
76	81408000341	PIPE,STEEL	2	M	28X3.1T			
77	81408000290	PIPE,STEEL	2	M	22X2.5T			
78	81408000290	PIPE,STEEL	1	M	22X2.5T			
79	81408000290	PIPE,STEEL	2	M	22X2.5T			
80	81408000341	PIPE,STEEL	2	M	28X3.1T			
81	81408000341	PIPE,STEEL	2	M	28X3.1T			
82	81408000160	PIPE,STEEL	2	M	12X1.4T			
83	81408000241	PIPE,STEEL	1	M	18X1.9T			
84	81408000290	PIPE,STEEL	2	M	22X2.5T			
85	81408000160	PIPE,STEEL	2	M	12X1.4T		430609	
86	81408000341	PIPE,STEEL	2	M	28X3.1T			
87	81408000341	PIPE,STEEL	2	M	28X3.1T			
88	81408000160	PIPE,STEEL	2	M	12X1.4T			
89	81408000241	PIPE,STEEL	1	M	18X1.9T			
90	81408000160	PIPE,STEEL	2	M	12X1.4T			
91	81408000241	PIPE,STEEL	2	M	18X1.9T			
92	81408000341	PIPE,STEEL	1	M	28X3.1T			
93	81408000160	PIPE,STEEL	1	M	12X1.4T			
94	82100001819	TUBE,SPIRAL	N		SE-18BK			
95	80316070040	PLUG	1		PF1/4		430614	
96	36672630000	FILTER (WITH O-RING)	1			430610		
97	81408000160	PIPE,STEEL	1		12X1.4T	430610		
98	80136825015	PIN,SPLIT	4		2.5X15	430615		
99	37000934150	JOINT,SELF SEAL	1			430615		
121	91002801100	O-RING	1		1B P11			
	91002801100	O-RING	1		1B P11	430610		
131	91002802400	O-RING	2		1B P24			
141	91002801800	O-RING	3		1B P18			
151	91000521400	O-RING	2		AS568-214-1B			
161	36605781000	BODY	1					
162	(*****)	VALVE,RELIEF	1					

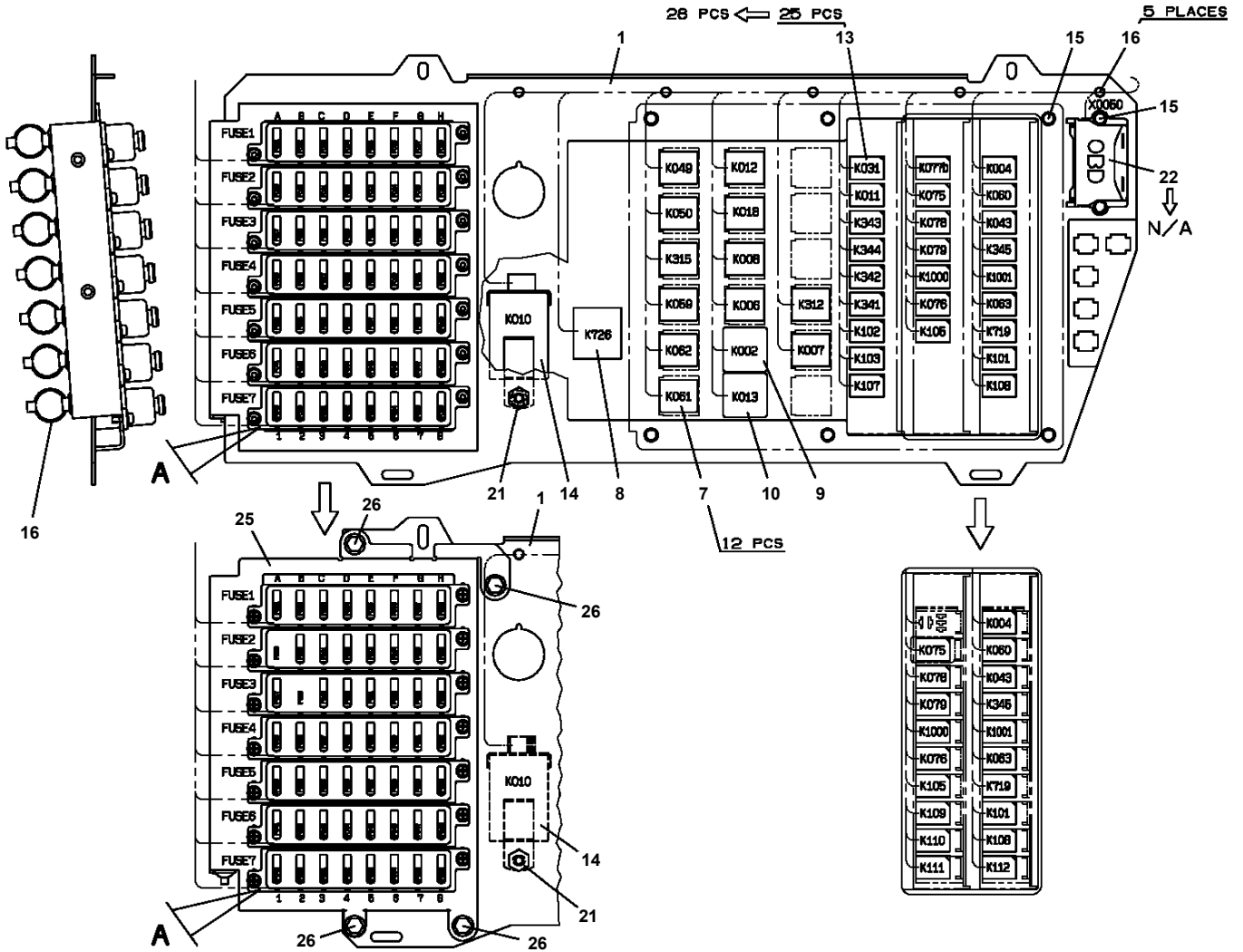
GT-300E-3-00301 4 BOOM + 2 JIB,2M2D
PR5000089-01 DRIVING POWER SYSTEM

<p>14</p>  <p>一般 GENERAL</p>	<p>15</p>  <p>FRONT</p>	

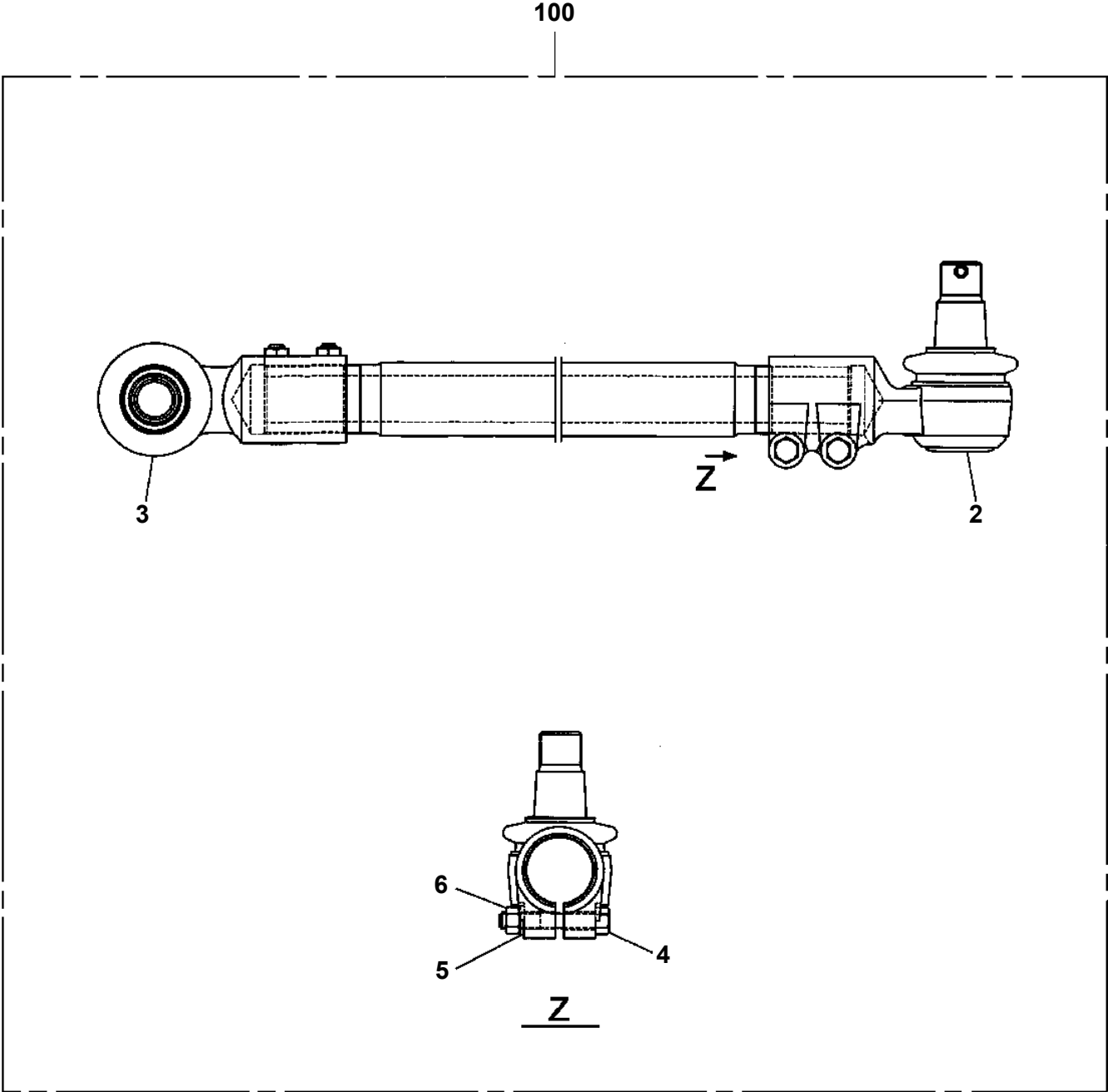
適用製造番号によっては取り付けがないものもあります。

MACHINES OF SOME SERIAL NO. ARE NOT EQUIPPED WITH THESE PARTS.

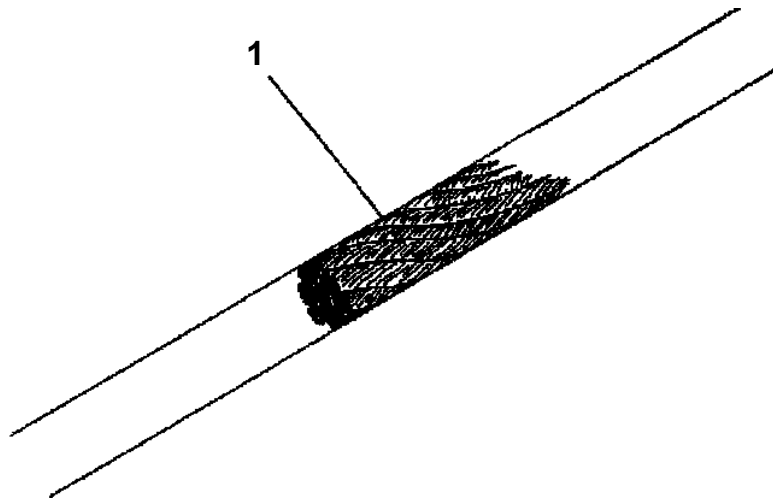
**GT-300E-3-00301 4 BOOM + 2 JIB,2M2D
PR5090215-02 RELAY ASSY**



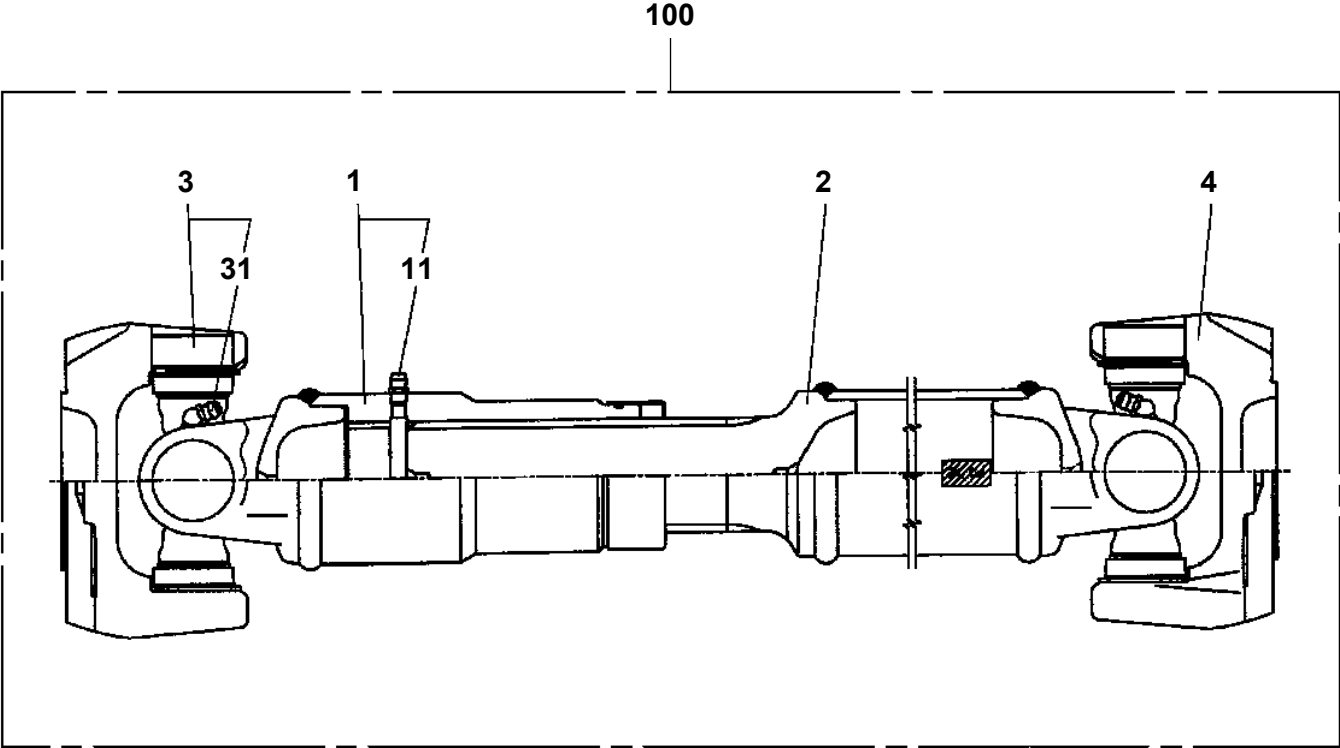
GT-300E-3-00301 4 BOOM + 2 JIB,2M2D
PR5140003-00 ROD ASSY



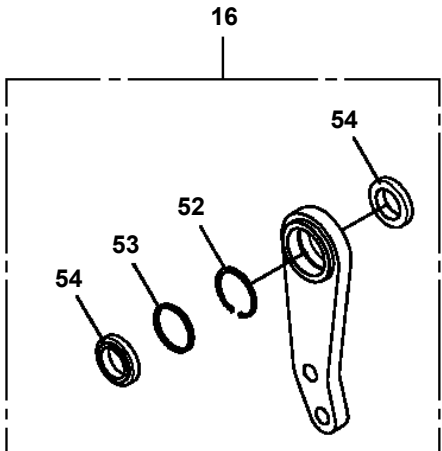
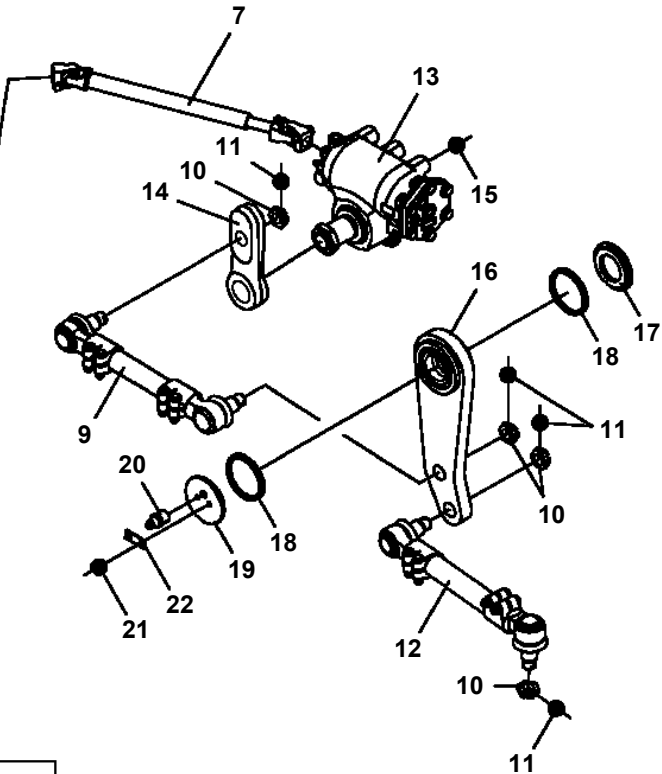
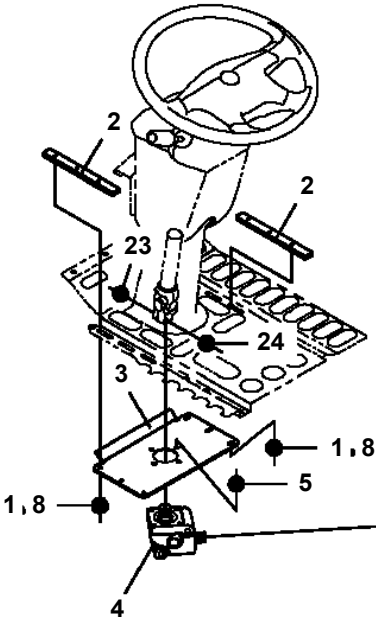
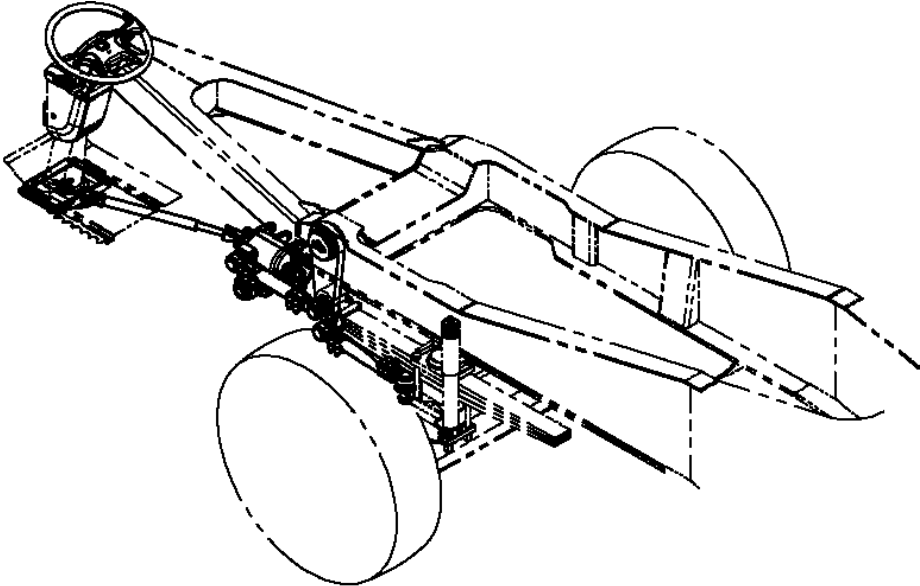
GT-300E-3-00301 4 BOOM + 2 JIB,2M2D
PR5170015-00 ROPE,WIRE (TOKYO ROPE MFG./NON-SPIN)



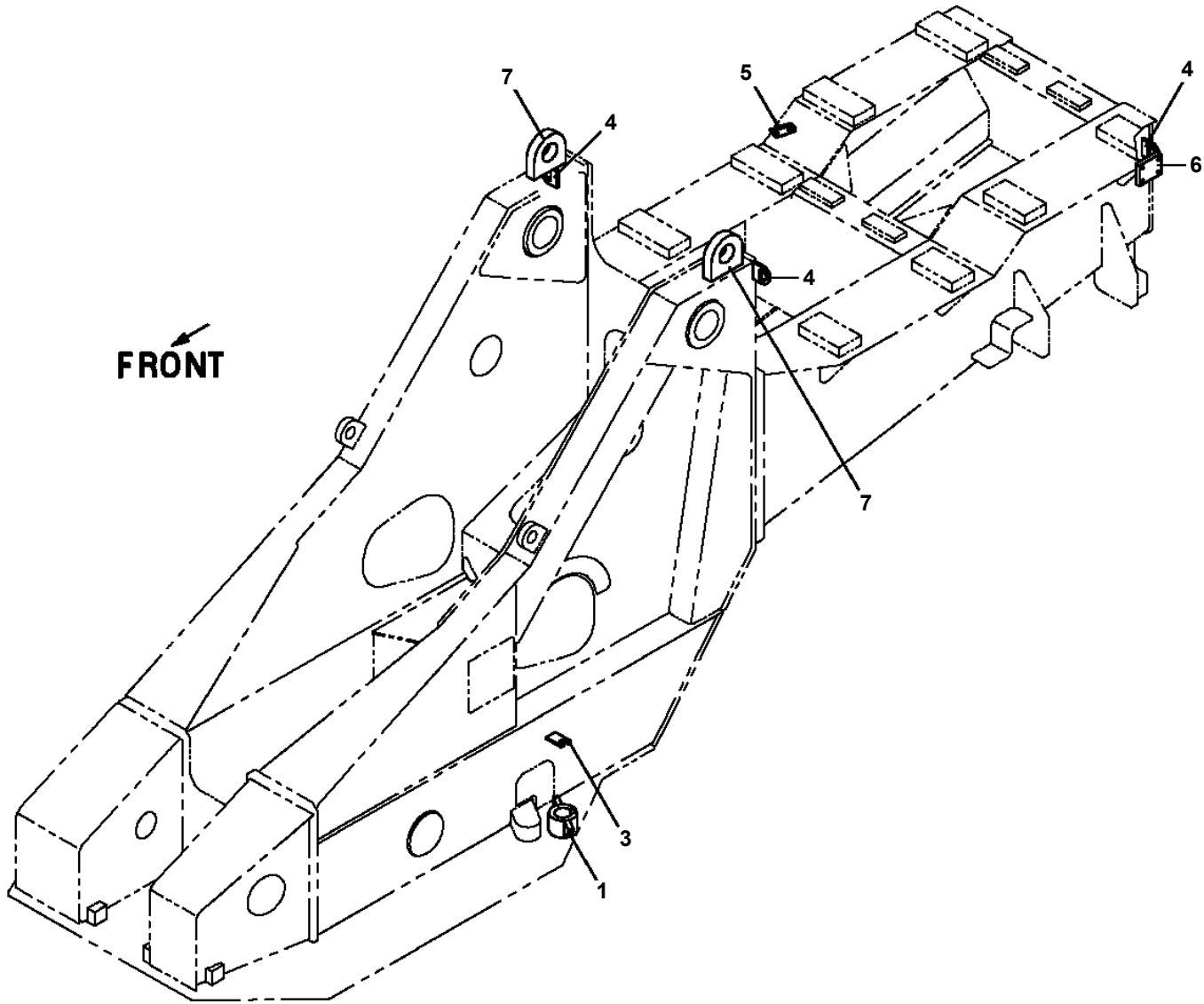
GT-300E-3-00301 4 BOOM + 2 JIB,2M2D
PS5170045-00 SHAFT ASSY,PROPELLER



GT-300E-3-00301 4 BOOM + 2 JIB,2M2D
PS5340049-00 STEERING ASSY



GT-300E-3-00301 4 BOOM + 2 JIB,2M2D
PS5420495-00 SUPPORT ASSY (ACCESSORY PARTS)



GT-300E-3-00301 4 BOOM + 2 JIB,2M2D

Pos No.	Parts No	Parts Name	Qty	Unit	Technical Data	Serial No (Start)	Serial No (End)	Remarks	Pages
2	34222021950	SUPPORT	1						
3	34494062200	PIN	1		L=270				
4	34360142010	SUPPORT	1				430622		
5	33370260050	SUPPORT	1				430622		
	33370260050	SUPPORT	2			430623			
6	33370260040	SUPPORT	1						

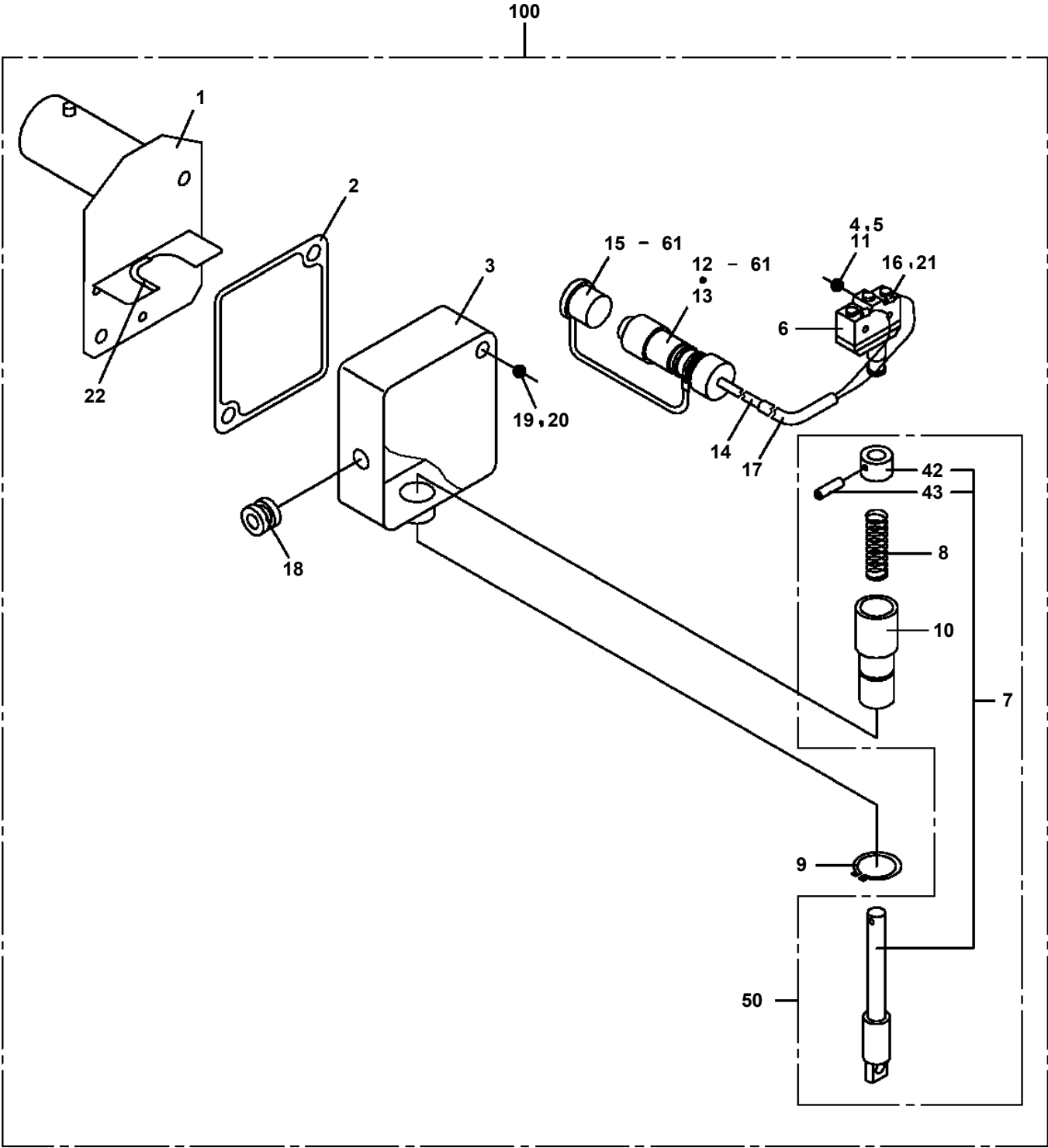
GT-300E-3-00301 4 BOOM + 2 JIB,2M2D

Pos No.	Parts No	Parts Name	Qty	Unit	Technical Data	Serial No (Start)	Serial No (End)	Remarks
2	36081460000	DRIVING UNIT,SWING	1					
3	90171118050	BOLT	12					
4	90303501805	WASHER,PLAIN	12		18			
5	37000911610	JOINT	1		R3/8XRC3/8			
6	80316030060	PLUG	1		PT3/8			
7	82401800100	PLUG (FOR M10)	2					
8	82401800180	PLUG	2		FOR M18			
23	37002303910	BEARING,SWING (KOYO)	1					

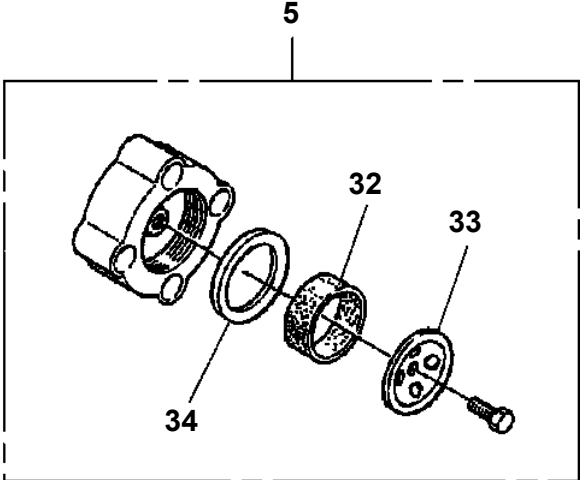
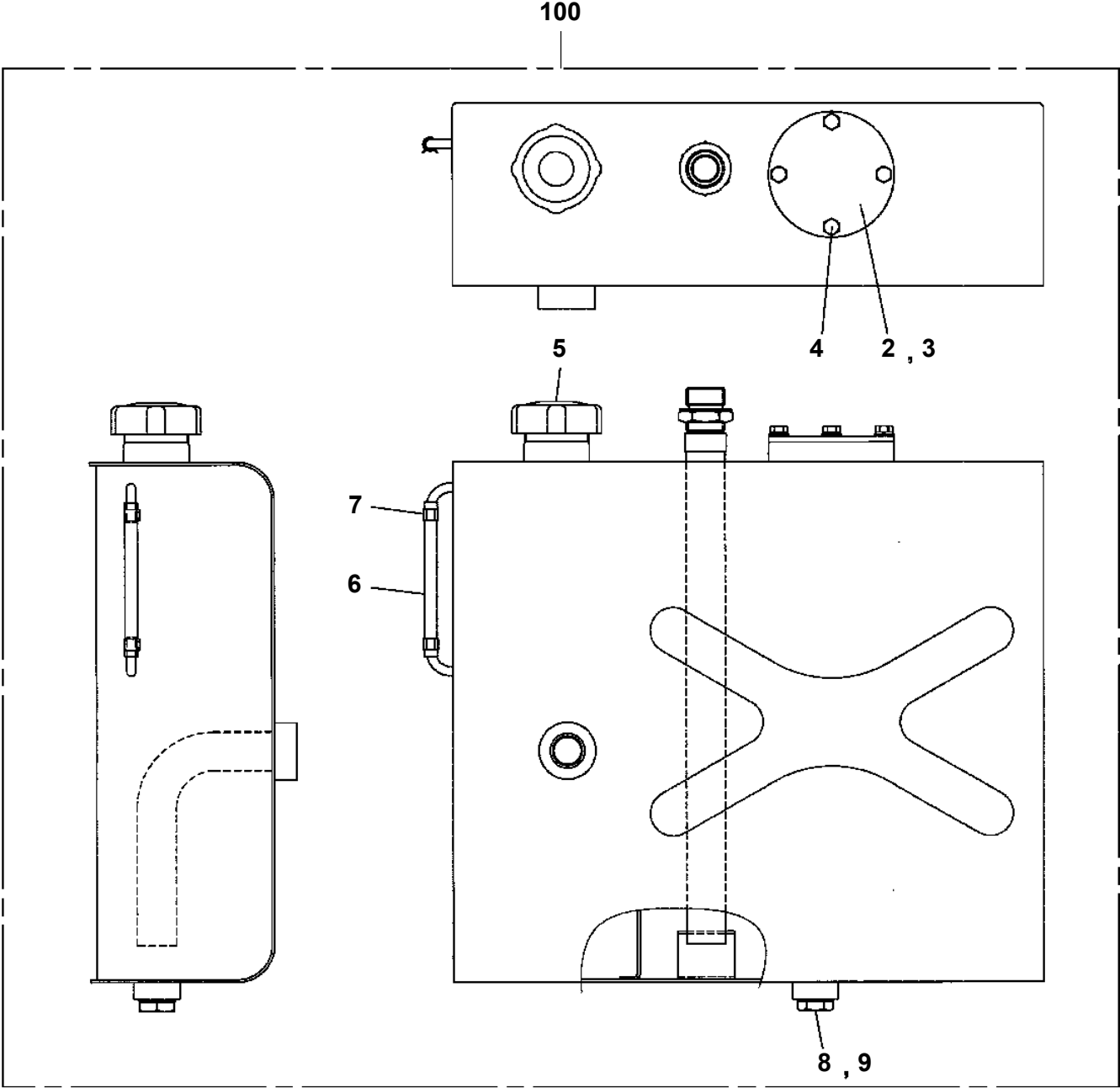
GT-300E-3-00301 4 BOOM + 2 JIB,2M2D

Pos No.	Parts No	Parts Name	Qty	Unit	Technical Data	Serial No (Start)	Serial No (End)
1	34351961610	SWITCH,PUSH (ASSY ONLY)	1				
2	34351961620	SWITCH,ROCKER	1				
3	34351961310	SWITCH,ROCKER	1				
4	34352061150	CAP	2				
5	34352901120	SWITCH,ROCKER	1				
6	34351963900	SWITCH ASSY	1				
8	34352061160	CAP	3				
11	34353021410	SWITCH ASSY	1				
12	82100002261	CONNECTOR (2POLES,MALE)	1				
14	34251331160	PLATE,NAME (ON/OFF)	1				
15	34251331150	PLATE,NAME (REMOVED/EQUIPPED)	1				
37	34351967530	BULB,LAMP	3		28V 1.12W		
53	82100002307	COVER (CONTACT BLOCK PROTECTION/BLACK)	1				
60	34352901130	PLATE ASSY,NAME (NO.1-NO.38)	1				
71	99990049058	SPARE KEY	1				

GT-300E-3-00301 4 BOOM + 2 JIB,2M2D
PS5540013-02 SWITCH (OVERWIND/JIB)



GT-300E-3-00301 4 BOOM + 2 JIB,2M2D
PT5090028-00 TANK ASSY,OIL

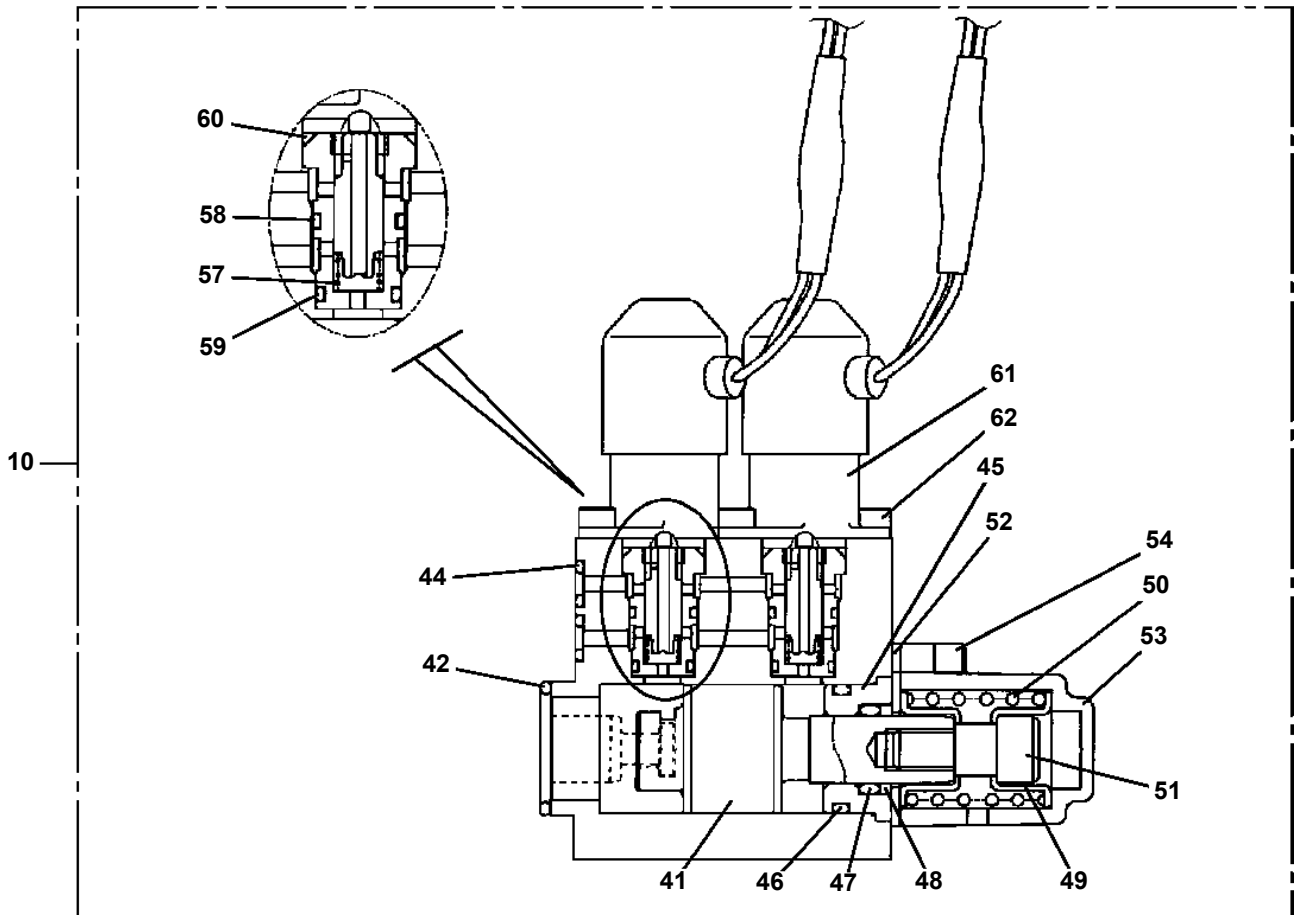
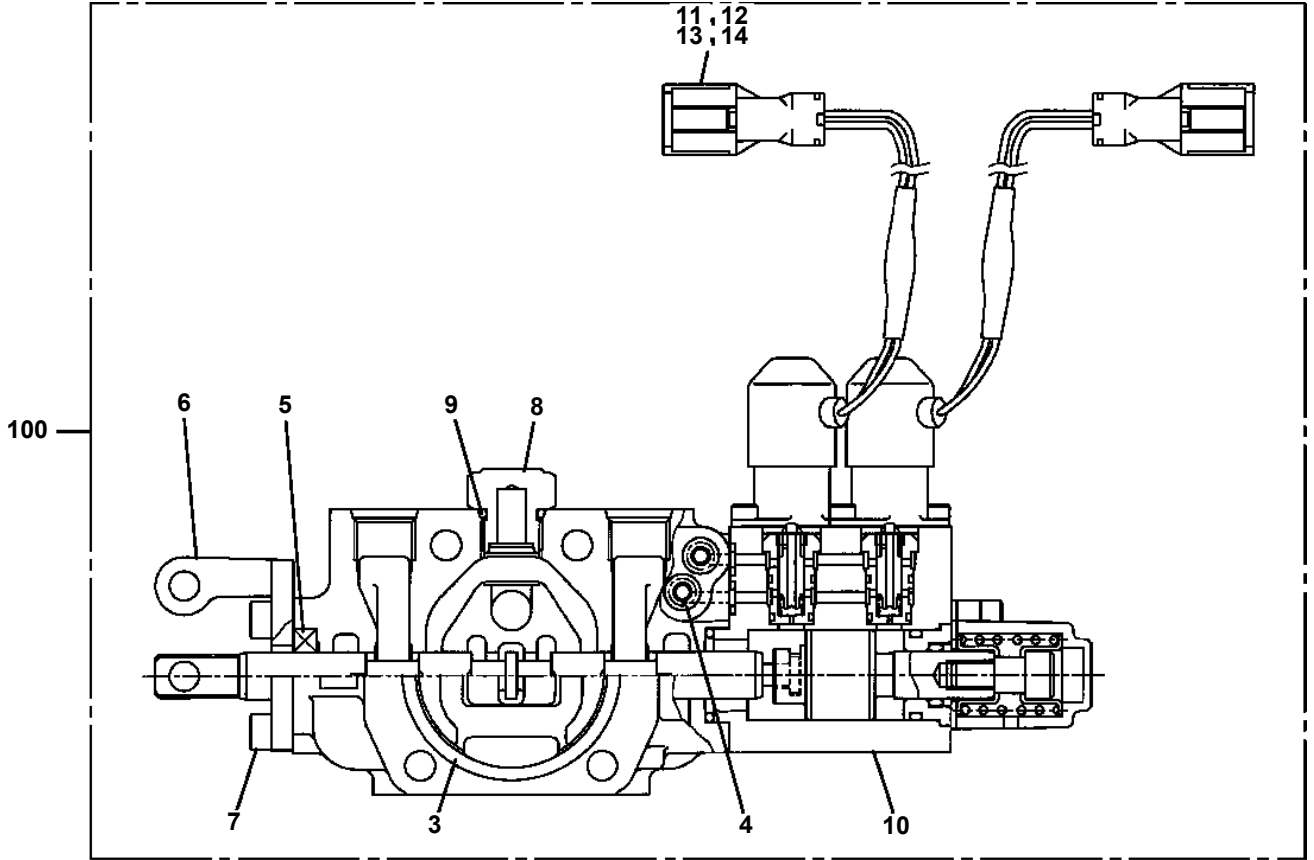


**GT-300E-3-00301 4 BOOM + 2 JIB,2M2D
PT5650032-00 TRANSMISSION ASSY**

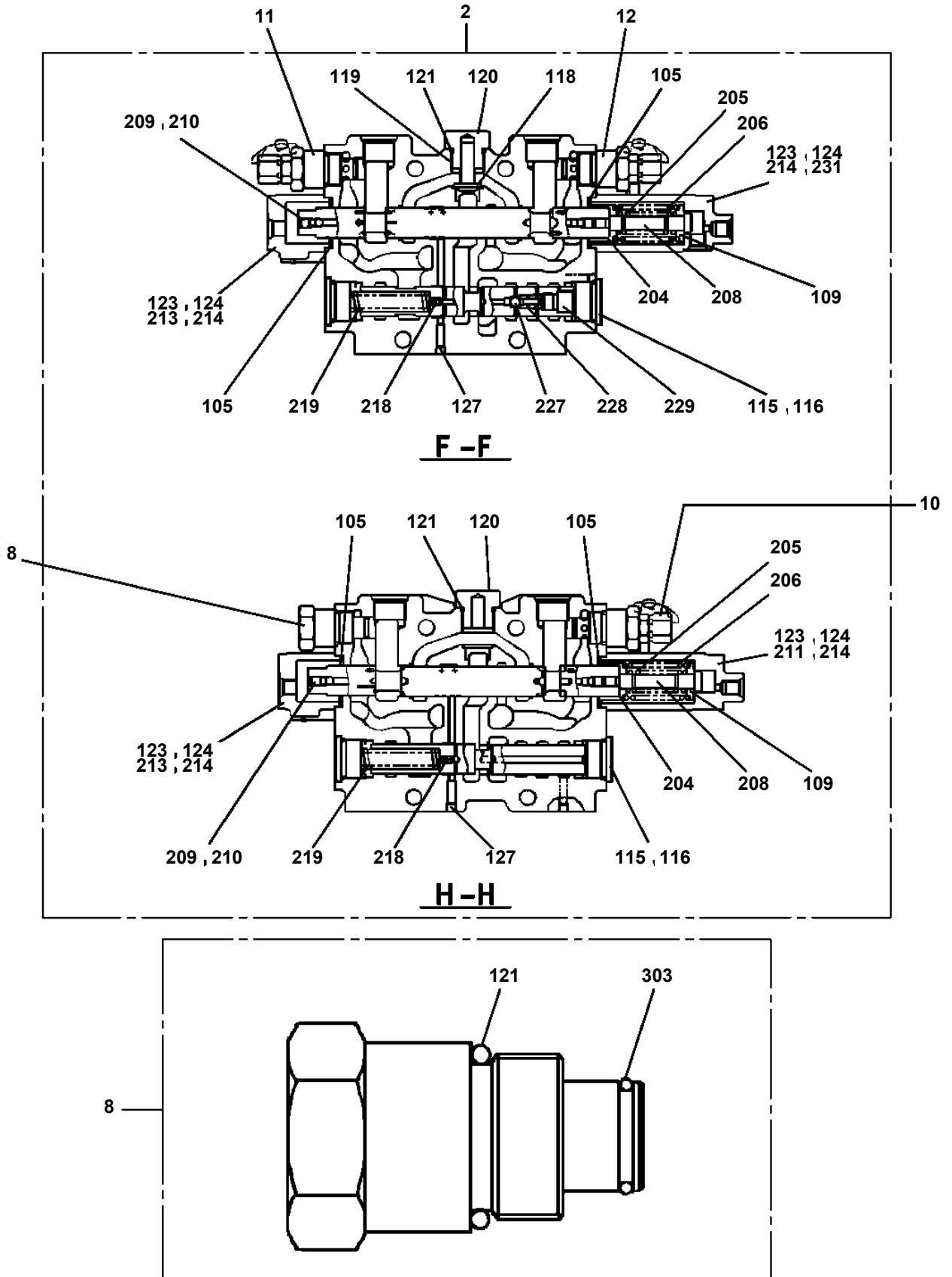
100 - 1



GT-300E-3-00301 4 BOOM + 2 JIB,2M2D
PV5060019-01 VALVE ASSY,CONTROL



GT-300E-3-00301 4 BOOM + 2 JIB,2M2D
 PV5190004-02 VALVE ASSY,SELECTOR (PILOT CONT.)



展開圖有
 ILLUSTRATED BREAKDOWN NO. 10, 11, 12

GT-300E-3-00301 4 BOOM + 2 JIB,2M2D

Pos No.	Parts No	Parts Name	Qty	Unit	Technical Data	Serial No (Start)	Serial No (End)	Remarks
1	36648615010	VALVE ASSY	1					
2	36645795021	VALVE,RELIEF	1					
3	36645795030	VALVE,REDUCING	1					
4	36742745010	VALVE ASSY,CONTROL	1					
5	36742745020	VALVE ASSY,CONTROL	1					
6	36634505060	BODY	1					
7	90201200800	NUT	8		M8			
8	36648615040	BOLT	4					
9	36742745030	HANDLE	1					
10	36742745040	HANDLE	1					
22	36648615050	PLUG	1					
23	91002801000	O-RING	1		1B P10			
24	91002801500	O-RING	1		1B P15			
25	91002905500	O-RING	1		1B G55			
26	91002800700	O-RING	2		1B P7			
27	91002801001	O-RING	2		1B P10A			
28	80316030020	PLUG	1		PT1/8			
29	36647205070	PLUG	1		GPM1/32			
30	36647205050	PLUG	2		NPT1-16			
43	91000501500	O-RING	1		AS568-015			
44	36630045190	SPRING	1					
47	91002802200	O-RING	2		1B P22			
50	16025153020	SPRING	1					
52	91001001600	O-RING	2		1A S16			
63	91002801200	O-RING	1		1B P12			
64	36645795060	FILTER	1					
65	91002801600	O-RING	1		1B P16			
67	36645795070	SPRING	1					
81	36742745050	PIN	4					
82	90303100801	WASHER,PLAIN	4		8			
83	14045122020	PIN,SNAP	4					
100	36742740000	VALVE ASSY,SOLENOID	1					

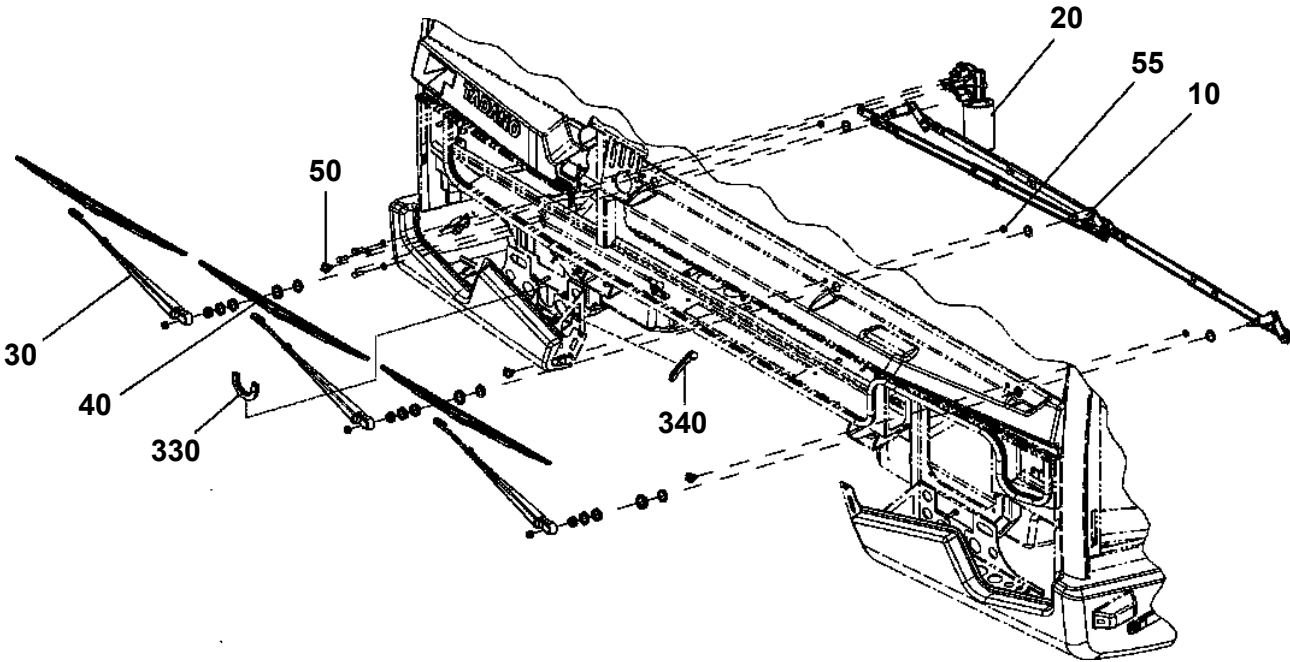
GT-300E-3-00301 4 BOOM + 2 JIB,2M2D

Pos No.	Parts No	Parts Name	Qty	Unit	Technical Data	Serial No (Start)	Serial No (End)	Remarks	Pages
1	91900000003	WORKING WEAR	1						
2	91900000004	HELMET	1						

GT-300E-3-00301 4 BOOM + 2 JIB,2M2D

Pos No.	Parts No	Parts Name	Qty	Unit	Technical Data	Serial No (Start)	Serial No (End)	Remarks	Pa
1	37003901880	WHEEL,TIRE (TOPY)	1		22.5X8.25				
2	37003805620	TIRE (BRIDGESTONE)	1		295/80R22.5				
4	37003999230	VALVE,AIR	1						

GT-300E-3-00301 4 BOOM + 2 JIB,2M2D
PW5140003-00 WIPER ASSY

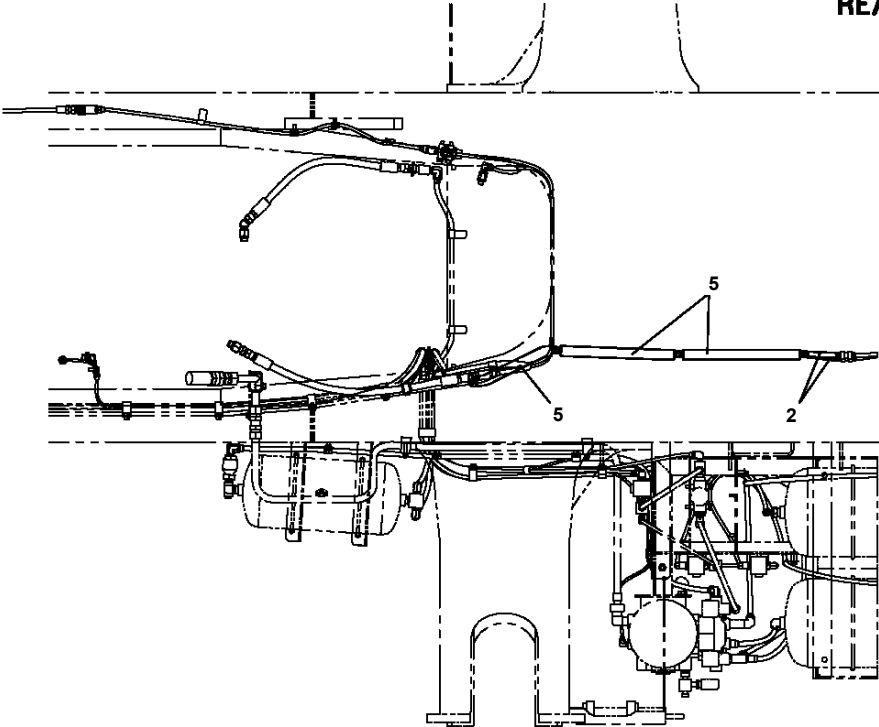


GT-300E-3-00301 4 BOOM + 2 JIB,2M2D

Pos No.	Parts No	Parts Name	Qty	Unit	Technical Data	Serial No (Start)	Serial No (End)
1	34497274100	SUPPORT	1				
3	80192485014	SCREW,MACHINE (WITH WASHER)	1		M5X14		
4	90186208016	BOLT,FLANGE	2		M8X16		
5	37001400140	SPRING	1				
6	80171303005	SCREW,MACHINE	2		M3X5		
7	90302040301	WASHER,SPRING	2		3		

GT-300E-3-00301 4 BOOM + 2 JIB,2M2D
PX5010594-00 MOUNT ASSY (FRONT,PROTECTION OF AIR TUBE)

REAR SIDE



GT-300E-3-00301 4 BOOM + 2 JIB,2M2D
PX5020004-00 MOUNT ASSY,ABS

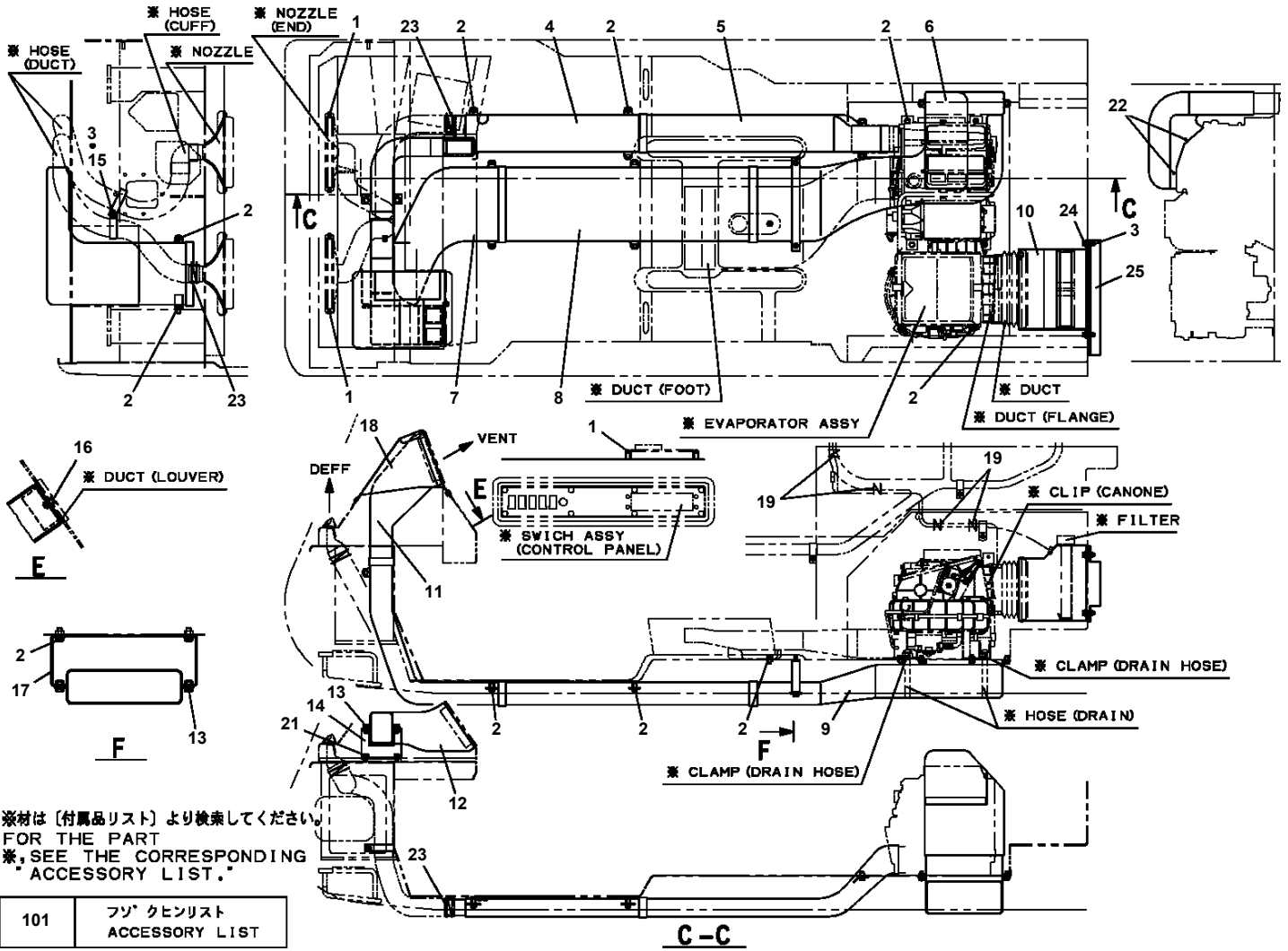
マウントASSY,ABS
MOUNT ASSY,ABS

指示番号 KEY NO.	部品名称 PART NAME	備考 REMARK
1	ブレーキASSY BRAKE ASSY	WABCO
2	ハイセンASSY ELEC.ASSY	配線
3	マウントASSY,ABS MOUNT ASSY,ABS	配管
4	サポートASSY SUPPORT ASSY	リヤ側先付け
6	インジケータASSY INDICATOR ASSY	キャブ内インジケータ取付

適用製造番号によっては取り付けがないものもあります。

MACHINES OF SOME SERIAL NO. ARE NOT EQUIPPED WITH THESE PARTS.

**GT-300E-3-00301 4 BOOM + 2 JIB,2M2D
PX5320004-00 MOUNT ASSY, EVAPORATOR**



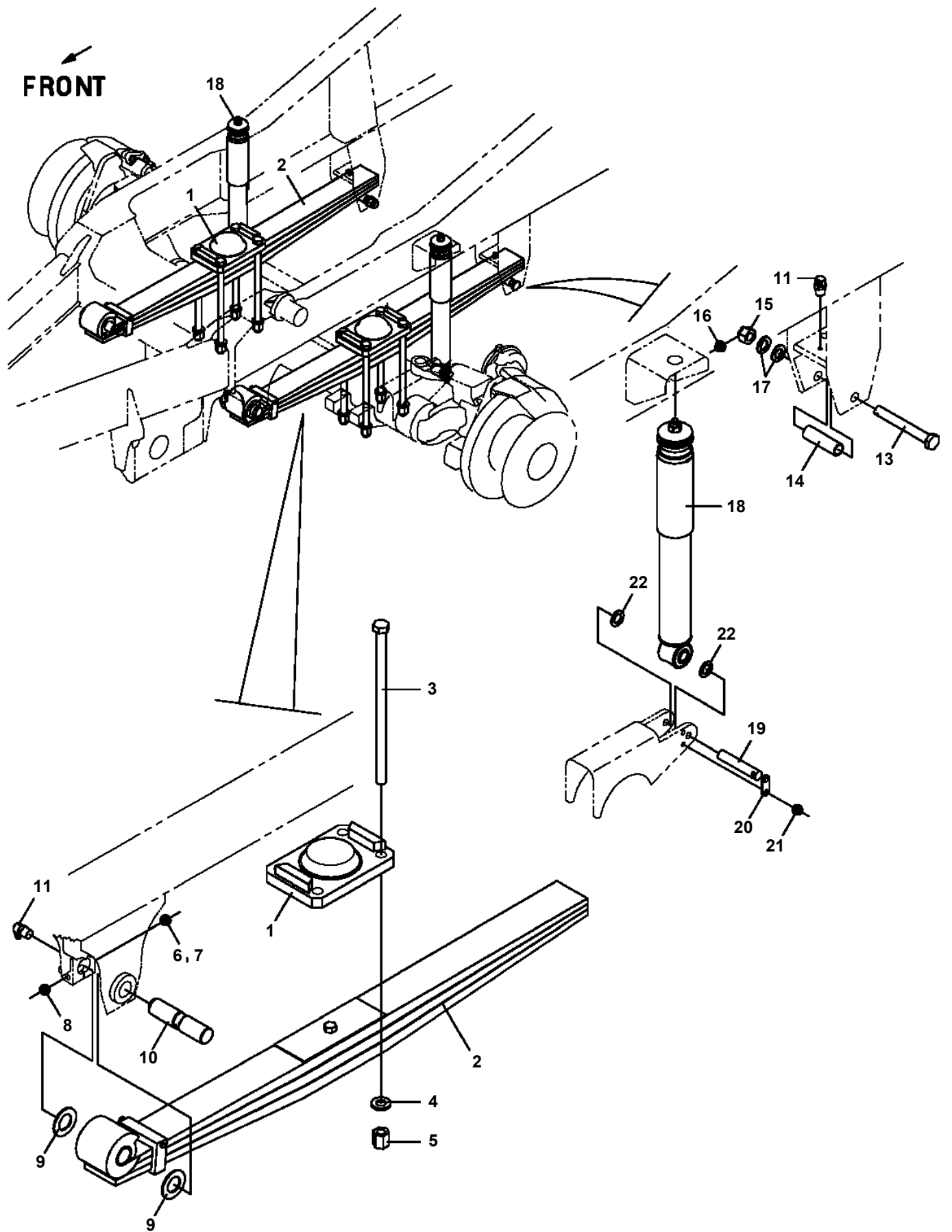
※材は【付属品リスト】より検索してください。
FOR THE PART
※, SEE THE CORRESPONDING
"ACCESSORY LIST."

101	フジ タヒンリスト ACCESSORY LIST
-----	-----------------------------

GT-300E-3-00301 4 BOOM + 2 JIB,2M2D

Pos No.	Parts No	Parts Name	Qty	Unit	Technical Data	Serial No (Start)	Serial No (End)	Remarks	Pages
1	33831122100	SUPPORT	1						
3	90186210020	BOLT,FLANGE	4		M10X20				
4	33830230010	PLATE	1						
5	37001500060	BOLT	2						
6	56660211000	NUT,WING	2						
7	80136330025	PIN,SPLIT	2						
8	80136340036	PIN,SPLIT	2		4X36				
9	90303071601	WASHER,PLAIN	2		16				
10	37001924230	ROPE,WIRE	1		20XL1100				

GT-300E-3-00301 4 BOOM + 2 JIB,2M2D
PX570020-00 MOUNT ASSY,SUSPENSION (FRONT)



CLICK HERE TO **DOWNLOAD** THE COMPLETE MANUAL

- Thank you very much for reading the preview of the manual.
- You can download the complete manual from: www.heydownloads.com by clicking the link below



- Please note: If there is no response to CLICKING the link, please download this PDF first and then click on it.

CLICK HERE TO **DOWNLOAD** THE COMPLETE MANUAL