

GR-750-2-00103 5 BOOM + 2 JIB, 2M2D

PB5000003-00 HYDRAULIC PRESSURE SYSTEM
PB6000006-00 PIPING SYSTEM (UPPER)
PB6000007-00 PIPING SYSTEM (LOWER)
PC1000625-00 OUTRIGGER SYSTEM
PD1000618-00 SWING SYSTEM
PF1000704-00 WINCH SYSTEM
PG5000003-00 BOOM SYSTEM
PG6000002-00 JIB SYSTEM
PH5000004-00 SAFETY SYSTEM
PK1000717-01 FRAME
PK5000003-00 CAB SYSTEM
PL5000003-00 CONTROL SYSTEM
PM1000032-01 LUBRICATION DEVICES
PN1000602-01 ELECTRIC EQUIPMENT (CAB)
PN1000603-01 ELECTRIC EQUIPMENT
PO1000150-00 INDICATION PLATES
PR5000012-02 DRIVING POWER SYSTEM
PS5000003-00 STEERING & SUSPENSION
PW1000097-02 ACCESSORIES & TOOLS
PX1001187-01 MOUNTING PARTS
PY1001504-03 OPTIONS
ASSEMBLY

CLICK HERE TO **DOWNLOAD** THE COMPLETE MANUAL

- Thank you very much for reading the preview of the manual.
- You can download the complete manual from: www.heydownloads.com by clicking the link below



- Please note: If there is no response to CLICKING the link, please download this PDF first and then click on it.

CLICK HERE TO **DOWNLOAD** THE COMPLETE MANUAL

GR-750-2-00103 5 BOOM + 2 JIB, 2M2D

Pos No.	Parts No	Parts Name	Qty	Unit	Technical Data	Serial No (Start)	Serial No (End)	Remark
1	(*****)	SWING ASSY	1					
2	(*****)	LOCK ASSY,SWING	1					
3	(*****)	MOUNT ASSY,SWING CENTER	1					

GR-750-2-00103 5 BOOM + 2 JIB, 2M2D

Pos No.	Parts No	Parts Name	Qty	Unit	Technical Data	Serial No (Start)	Serial No (End)
1	34621048040	FRAME ASSY	1				547733
	34621048041	FRAME ASSY	1			548608	548608
	34621048042	FRAME ASSY	1				
2	(*****)	SWING FRAME ASSY	1				
3	(*****)	OUTER COVERING ASSY (SWING FRAME)	1				
4	(*****)	WEIGHT ASSY	1				
5	(*****)	MOUNT ASSY (SWING FRAME/WIRE GUIDE)	1				
6	(*****)	MOUNT ASSY (SWING FRAME WELDED PARTS)	1				

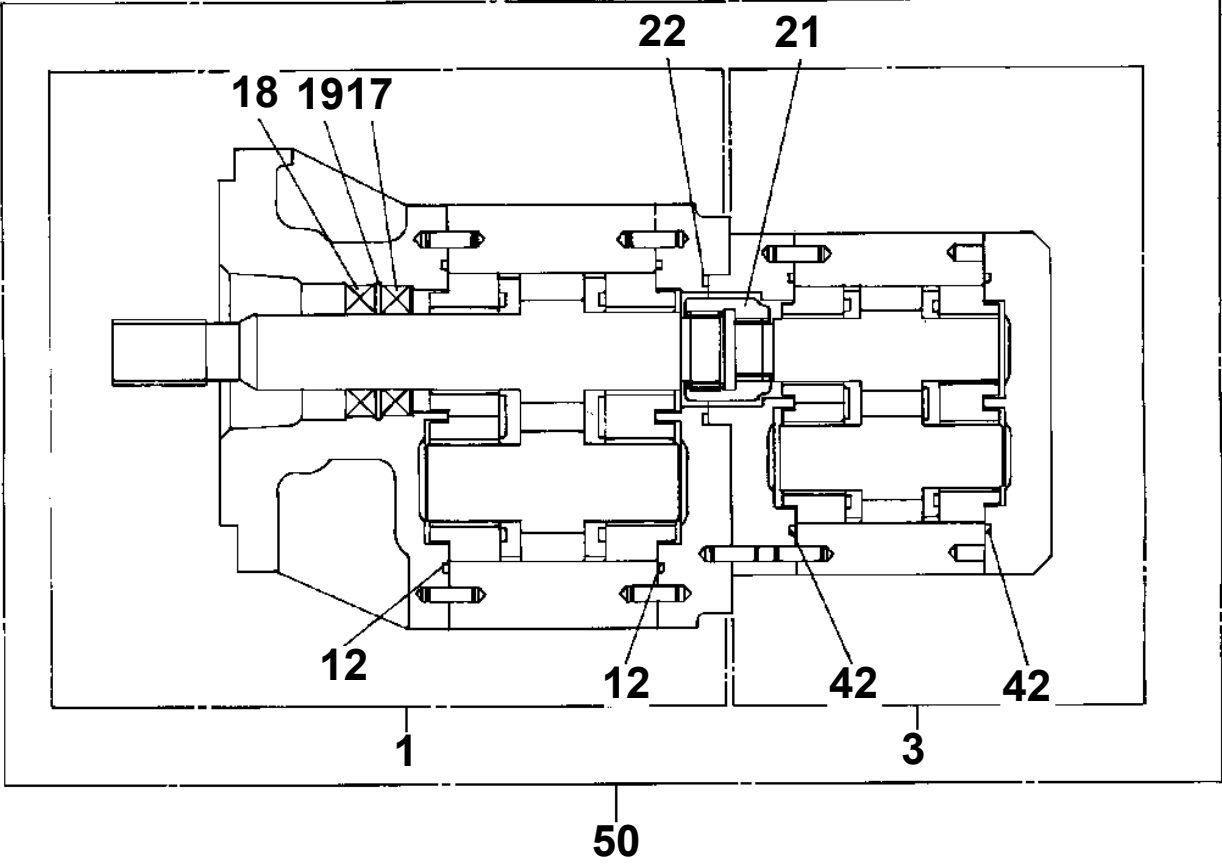
GR-750-2-00103 5 BOOM + 2 JIB, 2M2D

Pos No.	Parts No	Parts Name	Qty	Unit	Technical Data	Serial N
1	(*****)	ELEC.ASSY (SWING FRAME,BOOM)	1			
2	(*****)	ELEC.ASSY (LOWER)	1			
3	(*****)	ELEC.ASSY (ICF)	1			
4	(*****)	PLUG ASSY (FOR HARNESS TO WINCH HIGHT-SPEED VALVE)	1			
5	36171300000	CONTROLLER (MDT/UPPER)	1			
6	36171390000	CONTROLLER (LOWER)	1			
7	36171380000	CONTROLLER (DCU)	1			
8	37010000010	BATTERY (HYUNDAI ENERCELL)	2			
	82100002827	BATTERY (GLOBAL & YUASA,130F51)	2			
	82151213051	BATTERY (PANASONIC,130F51)	2			
	82100001983	BATTERY (YUASA,145F51)	2			
	34930096000	BATTERY (YUASA,170F51)	2			
9	(*****)	SWITCH ASSY (PRESSURE SWITCH)	1			
10	(*****)	SWITCH ASSY (AML OVERRIDE)	1			
11	(*****)	SWITCH ASSY (COUNTERWEIGHT EQUIPPED DETECTION)	1			
12	(*****)	INDICATOR ASSY (STRAIGHT AHEAD DETECTION)	1			
13	36120640000	TRANSMITTER ASSY,SIGNAL (LOWER)	1			

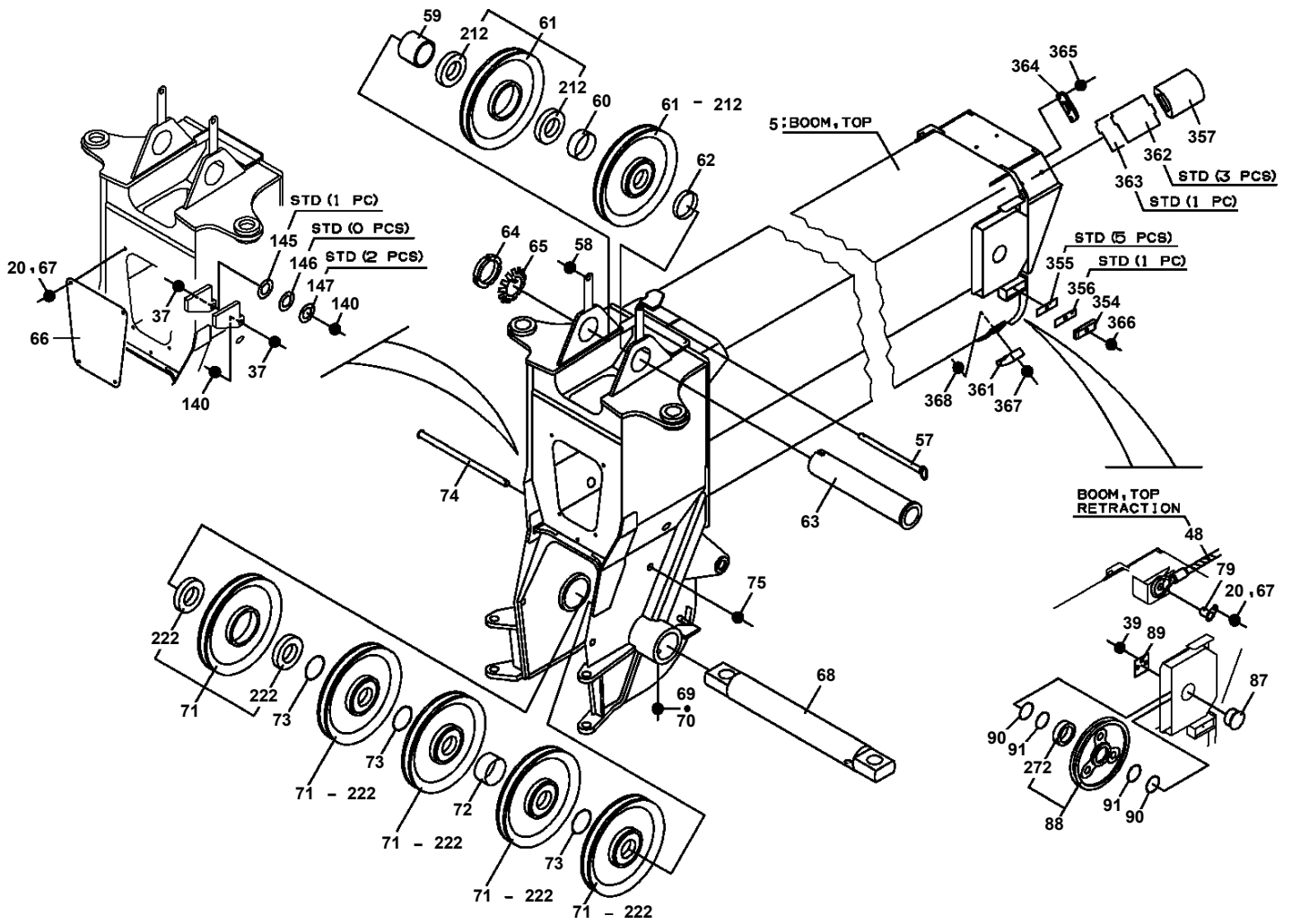
GR-750-2-00103 5 BOOM + 2 JIB, 2M2D

Pos No.	Parts No	Parts Name	Qty	Unit	Technical Data	Serial No (Start
1	(*****)	COVER ASSY,ENGINE	1			
2	(*****)	COVER ASSY,ENGINE (RADIATOR)	1			
3	(*****)	OUTER COVERING ASSY (FENDER,NON SLIP PAINT)	1			
	(*****)	OUTER COVERING ASSY (FENDER,NON SLIP PAINT:SVE)	1			548608
4	(*****)	MOUNT ASSY,TANK SUPPORT (BAND)	1			
5	(*****)	MOUNT ASSY,TOOL BOX	1			
6	(*****)	MOUNT ASSY,BATTERY	1			
7	(*****)	MOUNT ASSY (WIRE)	1			
8	(*****)	MIRROR ASSY	1			

GR-750-2-00103 5 BOOM + 2 JIB, 2M2D
PB1100058-00 PUMP, HYDRAULIC (STEERING)



GR-750-2-00103 5 BOOM + 2 JIB, 2M2D
PB5190011-02 BOOM ASSY

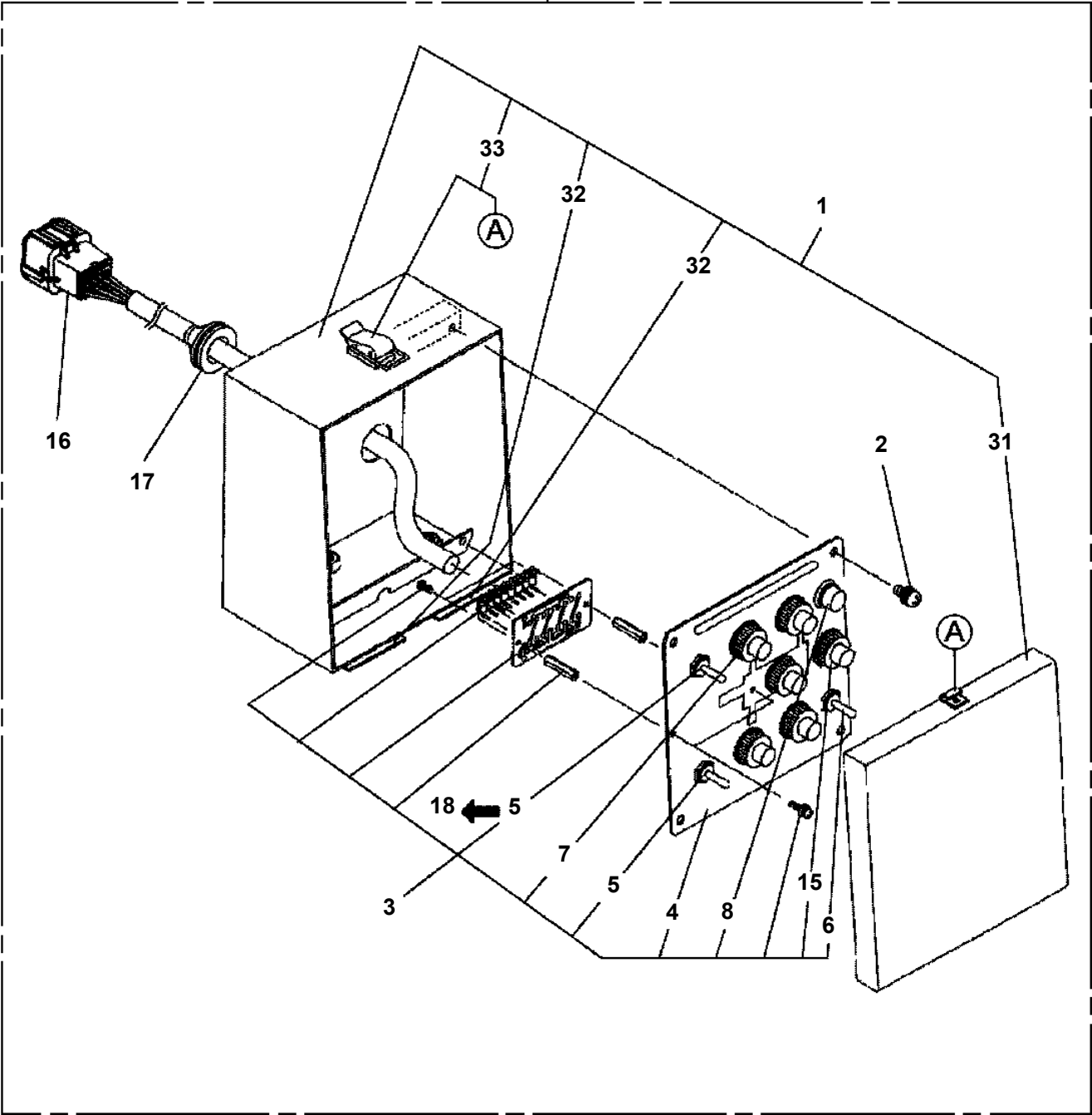


GR-750-2-00103 5 BOOM + 2 JIB, 2M2D

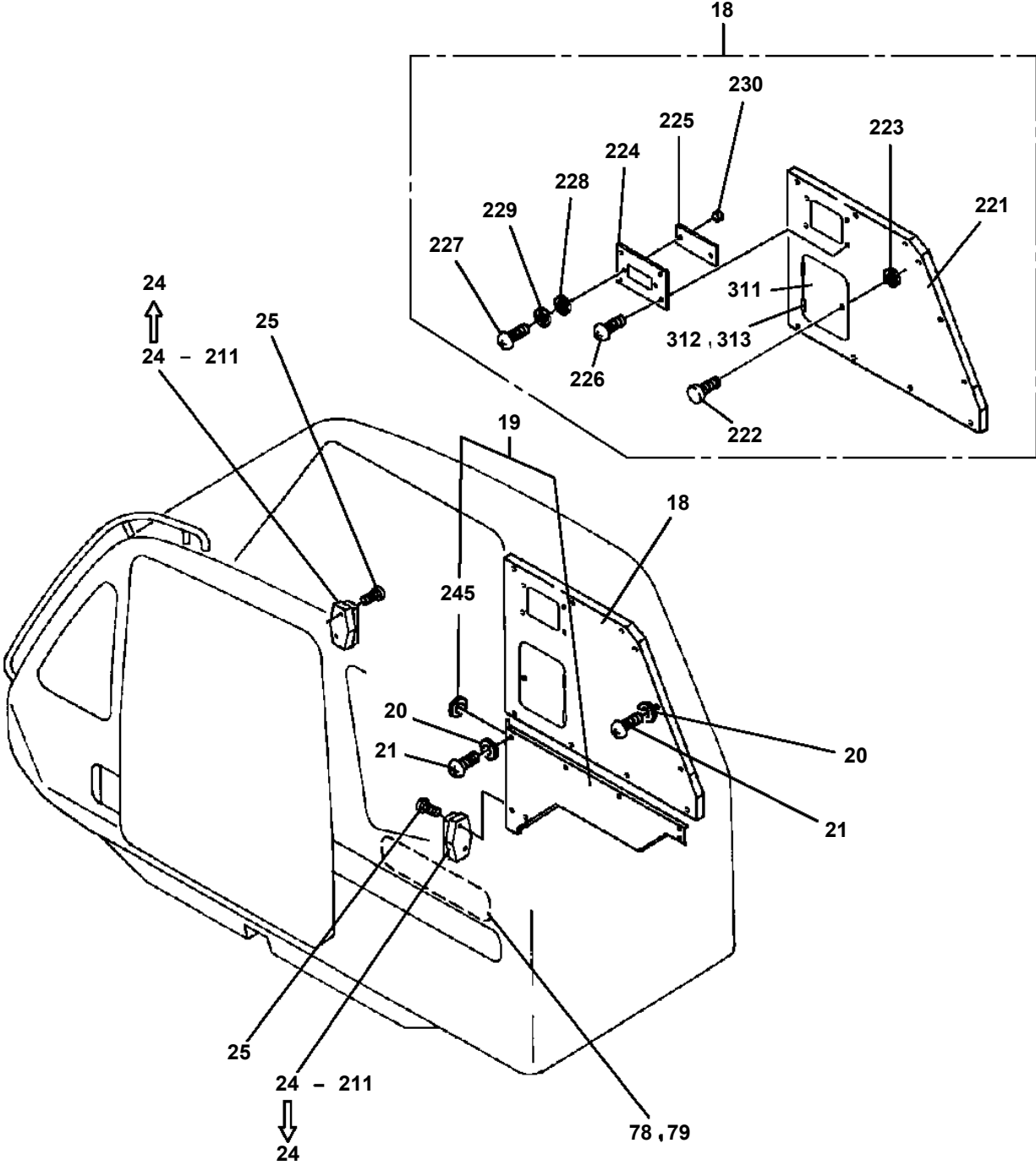
Pos No.	Parts No	Parts Name	Qty	Unit	Technical Data	Serial No (Start)	Serial No (End)
322	37002019480	PLATE,SLIDE (-2)	N		117X200		
323	37002019490	PLATE,SLIDE (0)	N		50X190		
324	37002019500	PLATE,SLIDE (-2)	N		48X190		
325	34202120710	SHIM	N		70X240XT0.6		
326	34202097010	SHIM	N		T=0.6		
341	37002018750	PLATE,SLIDE	4				
342	37000588620	PLATE	N		T=0.6		
343	19411012000	PLATE,SLIDE	4		T=15		
344	19411013000	SHIM	N		T=1.0		
345	34200280100	SHIM	N		T=0.6		
346	37002018720	PLATE,SLIDE	2				547622
	37002020170	PLATE,SLIDE (LICHARZ)	2			547623	RA0735
347	34202120040	PLATE	N		T=2.3		548465
348	34202120020	PLATE	N		T=1.2		548465
349	37002019380	PLATE,SLIDE	2				547622
	37002020160	PLATE,SLIDE	2			547623	RA0735
350	34202160020	PLATE	N		T=2.3		548465
351	34202160010	PLATE	N		T=1.2		548465
352	37002018760	PLATE,SLIDE	2				
354	37002004640	PLATE,SLIDE	4		T=15		
355	37000577400	PLATE	N		T=1.0		
356	37000577410	PLATE	N		T=0.6		
357	37002018380	PLATE,SLIDE (L=160/MATERIAL:MC801)	4				547622
	37002020140	PLATE,SLIDE (L=160/MATERIAL:OILAMID)	4			547623	
358	34202120190	PLATE	N		T=2.3		
359	34202120180	PLATE	N		T=1.2		
361	37002019260	PLATE,SLIDE	2				
362	37000587210	PLATE	N		T=2.3		
363	37000587220	PLATE	N		T=1.2		
364	34202090700	SUPPORT	8				548465
	34202090700	SUPPORT	4			548466	
365	90172112025	BOLT,HEXAGON SOCKET	32		M12X25		548465
	90172112025	BOLT,HEXAGON SOCKET	16		M12X25	548466	
366	90172106020	BOLT,HEXAGON SOCKET	8		M6X20		
367	90101208025	BOLT	4		M8X25		
368	90261000800	U-NUT	16		M8		
369	34202160040	SUPPORT	2				
370	34202160110	SUPPORT	4				
381	34443760700	SUPPORT	1				548204
382	37001000210	SHEAVE ASSY	2				
383	80601110400	RING,RITAINING	2		S40		
384	80601110300	RING,RITAINING	2		S30		
385	34440980850	SPACER	4		L=3		
386	37001102980	ROLLER ASSY	2				548204
401	34443760900	SUPPORT	1				548204
422	80602110800	RING,RITAINING	2		R80		
423	80514006208	BEARING,BALL	4				549747
	80514006208	BEARING,BALL	2			548205	549747
	80514006208	BEARING,BALL	2			548587	549747
	80513006208	BEARING,BALL	4			549748	
441	80801003020	BEARING,PLAIN	4				
451	34202120860	SUPPORT (BASE)	2		T=9		
452	34202120870	SUPPORT (2ND)	2		T=9		
453	34202120880	SUPPORT	2		T=9		
454	34202120890	SUPPORT	2		T=9		
471	34202195700	SUPPORT	1			548205	
476	37001113070	ROLLER ASSY	2			548205	
477	37000201100	PIN,SNAP	2			548205	
491	34202195900	SUPPORT	1			548205	548586
516	37002022400	PLATE,SLIDE	2			RA0736	
517	37010500360	PLATE	N		T=2.3	548466	RA0735
	37010504370	PLATE	N			RA0736	
518	37010500370	PLATE	N		T=1.2	548466	RA0735

GR-750-2-00103 5 BOOM + 2 JIB, 2M2D
PC1110002-04 BOX,OUTRIGGER OPERATION (LEFT)

50



**GR-750-2-00103 5 BOOM + 2 JIB, 2M2D
PC5010008-05 CAB ASSY**



GR-750-2-00103 5 BOOM + 2 JIB, 2M2D

Pos No.	Parts No	Parts Name	Qty	Unit	Technical Data	Serial No (Start)	Serial No (End)	Remarks	Page
1	36361325010	ELEMENT, OUTER	1						
2	36361495010	ELEMENT, INNER	1						
3	36361495020	INDICATOR ASSY	1						
4	36361325050	COVER	1						
100	36361491080	CLEANER ASSY, AIR	1						

GR-750-2-00103 5 BOOM + 2 JIB, 2M2D

Pos No.	Parts No	Parts Name	Qty	Unit	Technical Data	Serial No (Start)	Serial No (End)	Remarks	Page
1	36320455490	CONDENSER	1						
2	36320765010	SUPPORT	1						
3	36320565030	SUPPORT	1						
4	36320565040	SUPPORT	1						
5	36320765020	FAN ASSY	1						
6	36320565060	PIPE	1						
7	36320765030	RECEIVER (DRIER)	1						
8	36320765040	BOLT	4						
9	36320765050	BOLT	6						
10	36320765060	NUT	8						
11	36320765070	WASHER	6						
12	36320765080	WASHER,SPRING	8						
13	36320455940	BOLT	1						
14	36320565100	WASHER	2						
100	36320762010	CONDENSER ASSY	1						

GR-750-2-00103 5 BOOM + 2 JIB, 2M2D

Pos No.	Parts No	Parts Name	Qty	Unit	Technical Data	Serial No (Start)	Serial No (End)	Remarks	P
100	36172650000	CONTROLLER (GSMT)	1						

GR-750-2-00103 5 BOOM + 2 JIB, 2M2D

Pos No.	Parts No	Parts Name	Qty	Unit	Technical Data	Serial No (Start)	Serial No (End)	Remarks	Pa
2	34693111100	COVER	1						
3	34693061100	COVER (L)	1						
4	34693111300	COVER	1						
5	34693061200	COVER (R)	1						
6	90186210014	BOLT,FLANGE	12		M10X14				
9	34693021500	COVER	1						
10	34693021700	COVER	1						
13	90302040801	WASHER,SPRING	8		8				
15	34690923600	HINGE	2						
16	90101208020	BOLT	6		M8X20				
17	90201200800	NUT	6		M8				
18	82466301450	INSULATOR	2						
19	80172804020	SCREW,MACHINE	2		M4X20				
20	37000505950	PLATE	4		T=3.2				
21	34691292900	INSULATOR	4						
22	90186208014	BOLT,FLANGE	14		M8X14				
23	80182308014	SCREW,MACHINE	2		M8X14				
25	82400000357	CATCH	1						
50	35590249511	COVER ASSY	2						
51	34691719510	COVER ASSY	1				548435		
52	34693069510	COVER ASSY	1			548436			
54	82400000346	CATCH	3						
55	80147310430	RIVET	4		NSA 4-3		547761		
	80147310430	RIVET	4		NSA 4-3		548435		
	80147310430	RIVET	24		NSA 4-3				
	80147310430	RIVET	8		NSA 4-3	547762			
	80147310430	RIVET	12		NSA 4-3	548436			
56	92001140100	HINGE	2				548435		
60	34692802200	HINGE	2						
63	82466101222	CATCH	1				547761		
66	90302040301	WASHER,SPRING	4		3		547761		
67	90201200300	NUT	4		M3		547761		
68	80175803006	SCREW,MACHINE	4		M3X6		547761		
70	80147310450	RIVET	4		NSA4-5				
73	82466112900	CATCH	1			547762			
81	34693029510	COVER ASSY	1				547761		
82	34693029520	COVER ASSY	1			547762			
101	34693068010	COVER ASSY,ENGINE	1						
114	82464110002	HINGE	4						
	82464110002	HINGE	2			548436			

GR-750-2-00103 5 BOOM + 2 JIB, 2M2D

Pos No.	Parts No	Parts Name	Qty	Unit	Technical Data	Serial No (Start)	Serial No (End)
1	59457138000	PLUG ASSY	1				
2	90730008120	SCREW,SET	1		M8X12		
3	36017500010	NUT	1				
4	91302319000	BEARING,PLAIN	2				
5	91684019000	PACKING	2				
6	91431217501	RING,BACKUP	2				
7	36010920101	PISTON	1				
8	91002813500	O-RING	1		1B P135		
9	36018522000	ROD	1				
10	36019158810	CYLINDER	1			548821	548820
	36019158811	CYLINDER	1				
11	91002918500	O-RING	1		1B G185		
12	91411013500	RING,BACKUP	1				
13	36018523000	SUPPORT	1				
14	91251101600	RING,DAMPER	1				
15	91694016000	PACKING	1				
16	91410216001	RING,BACKUP	1				
17	91301116000	BEARING,PLAIN	1				
18	91660016001	SEAL,DUST	1				
19	36605480000	CARTRIDGE, COUNTERBALANCE	1				
20	19116004000	COVER	1				
21	90172110025	BOLT,HEXAGON SOCKET	4		M10X25		
22	90302041001	WASHER,SPRING	4		10		
23	18336032000	PLATE	1				548820
	36019160010	PLATE	1			548821	
24	16616016000	PLATE	1				
25	37001113210	ROLLER ASSY	1				
26	37000302950	SPACER	2		L=5		
27	90303102001	WASHER,PLAIN	2		20		
28	80136340030	PIN,SPLIT	2		4X30		
29	37000117060	PIN	1		L=120		
30	91000526500	O-RING	1		AS568-265		
31	36016664000	COVER,ROD	1				
61	36018529900	PACKING SET	1		160X190		
82	80516006204	BEARING,BALL	2				
92	80612111700	RING,RITAINING	1		AR170		
93	37000404290	BEARING,PLAIN	1				
100	36019150000	CYLINDER ASSY,TELESCOPING (NO.2)	1				

GR-750-2-00103 5 BOOM + 2 JIB, 2M2D

Pos No.	Parts No	Parts Name	Qty	Unit	Technical Data	Serial No
1	36051221002	CYLINDER ASSY	1			
3	90201702400	NUT	1		M24	
4	36054280010	PISTON	1			
5	91332207000	BEARING,PLAIN	1			
6	91002803500	O-RING	1		1B P35	
7	36051082001	ROD ASSY	1			
8	36061593600	COVER,ROD	1			
9	91002806000	O-RING	1		1B P60	
10	91251100350	RING,DAMPER	1			
11	91694003500	PACKING	1			
12	91410203501	RING,BACKUP	1			
13	16616016000	PLATE	1			
14	91660003501	SEAL,DUST	1			
16	91301103500	BEARING,PLAIN	1			
17	91350307000	PACKING ASSY (PACKING X2+BACKUP RING X2)	1			
41	80530000204	BEARING,SPHERICAL	2			
80	36054279900	PACKING SET	1		35X70	
100	36054280001	CYLINDER ASSY (QUICK TURN JIB,PISTON:PACKING ASSY)	1			

GR-750-2-00103 5 BOOM + 2 JIB, 2M2D

Pos No.	Parts No	Parts Name	Qty	Unit	Technical Data	Serial No (Start)	Serial No (End)
2	90730008120	SCREW,SET	1		M8X12		
	90730008120	SCREW,SET	1		M8X12		
3	36063194000	PISTON	1				
	36063194000	PISTON	1				
5	91002805000	O-RING	1		1B P50		
	91002805000	O-RING	1		1B P50		
7	36060354001	COVER,ROD	1				
	36060354001	COVER,ROD	1				
8	91002809000	O-RING	1		1B P90		
	91002809000	O-RING	1		1B P90		
9	91251100500	RING,DAMPER	1				
	91251100500	RING,DAMPER	1				
10	91694005000	PACKING	1				
	91694005000	PACKING	1				
11	91410205001	RING,BACKUP	1				
	91410205001	RING,BACKUP	1				
13	91660005001	SEAL,DUST	1				
	91660005001	SEAL,DUST	1				
15	37000400940	BEARING,PLAIN	4				
	37000400940	BEARING,PLAIN	4				
17	36063193000	BOOT	1				
	36063193000	BOOT	1				
19	91350210000	BEARING,PLAIN (WITH PACKINGX2)	1				
	91350210000	BEARING,PLAIN (WITH PACKINGX2)	1				
20	91301105000	BEARING,PLAIN	1				
	91301105000	BEARING,PLAIN	1				
21	91803601400	CLIP	1		D=110-140		
	91803601400	CLIP	1		D=110-140		
22	91803600700	CLIP	1		D=55-70		
	91803600700	CLIP	1		D=55-70		
41	36063209510	CYLINDER ASSY	1				549003
	36063209510	CYLINDER ASSY	1				549003
42	36063199520	ROD ASSY	1				
	36063199520	ROD ASSY	1				
51	36063209511	CYLINDER ASSY	1			549004	
61	36060359902	PACKING SET	1		50X100		
	36060359902	PACKING SET	1		50X100		
100	36063200000	CYLINDER ASSY,STEERING	1				
	36063200000	CYLINDER ASSY,STEERING	1				

GR-750-2-00103 5 BOOM + 2 JIB, 2M2D

Pos No.	Parts No	Parts Name	Qty	Unit	Technical Data	Serial No (Start)	Serial No (End)	Remarks
1	36663590000	MOTOR,HYDRAULIC	1					
2	36081651000	REDUCER,SWING SPEED	1					
100	36081650000	DRIVING UNIT,SWING	1					

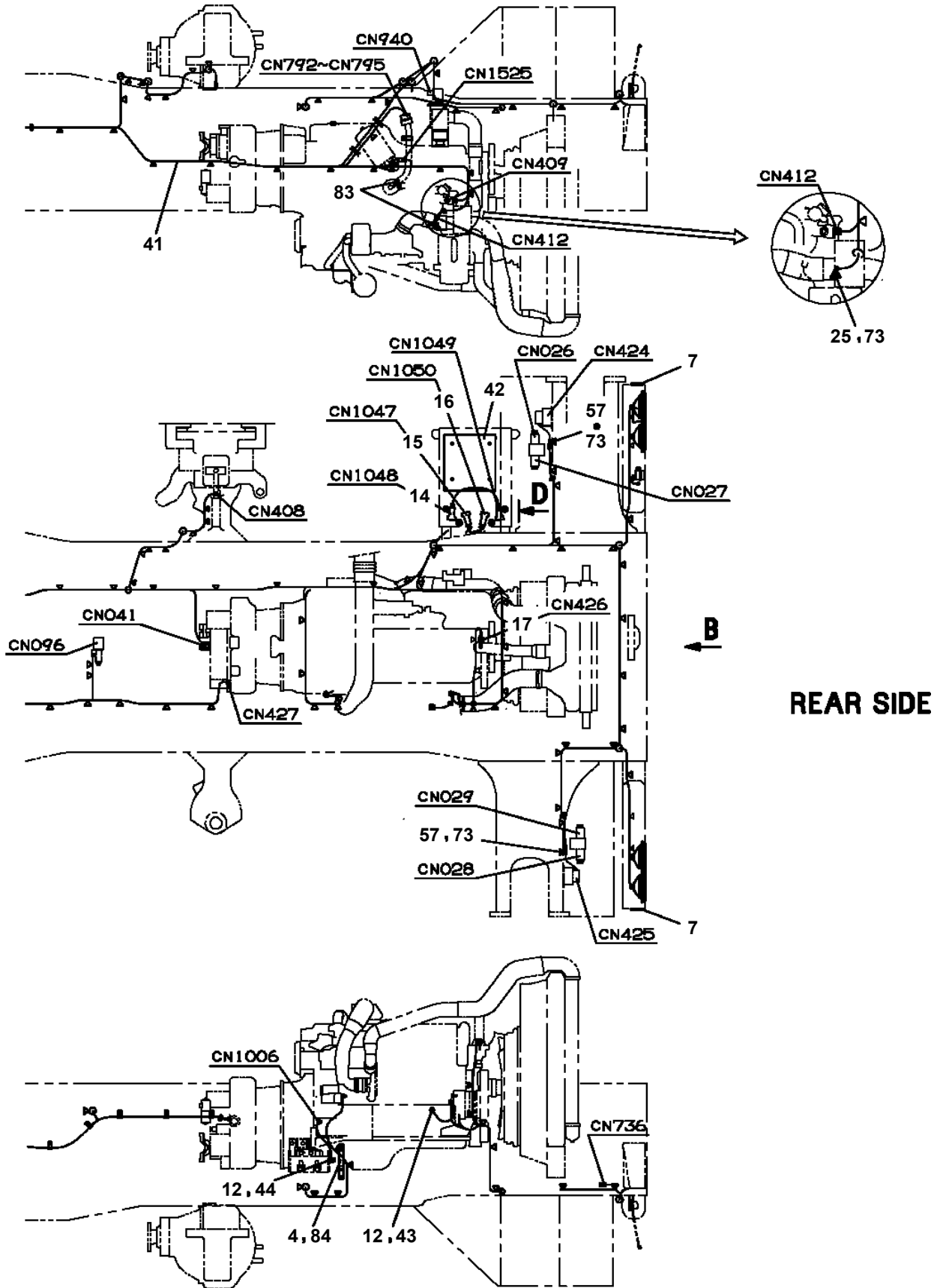
GR-750-2-00103 5 BOOM + 2 JIB, 2M2D

Pos No.	Parts No	Parts Name	Qty	Unit	Technical Data	Serial No (Start)	Serial No (End)	Remarks	Pages
2	34510702350	PACKING	1						
3	34510702430	PACKING	1				547819		
5	34510702440	PACKING	1				547819		
6	34510702450	PACKING	1			547820			
7	34510702460	PACKING	1			547820			
100	34510702400	DUCT	1						

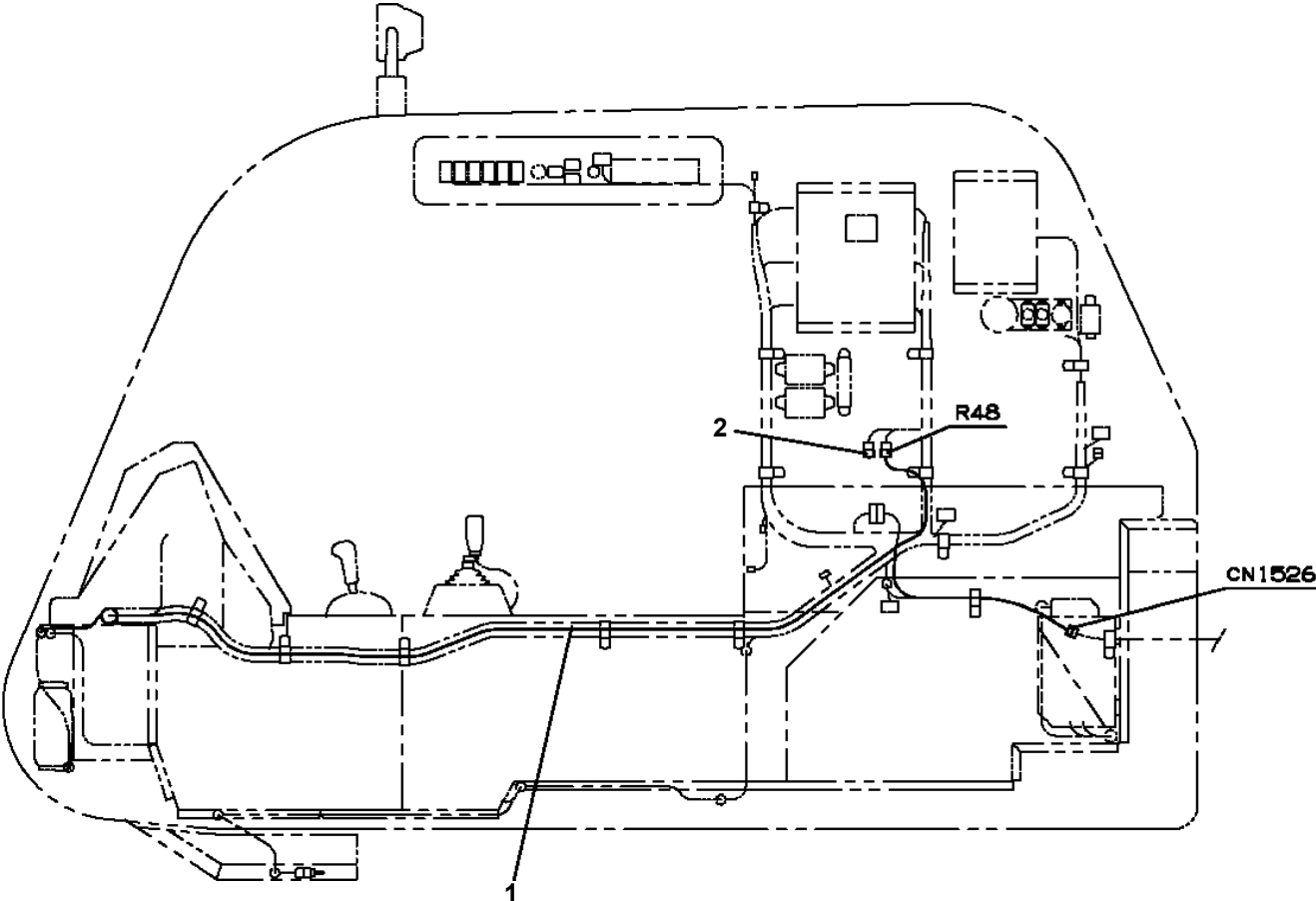
GR-750-2-00103 5 BOOM + 2 JIB, 2M2D

Pos No.	Parts No	Parts Name	Qty	Unit	Technical Data	Serial No (Start)	Serial No (End)	Re
1	36171400000	CONTROLLER (ICF,ASSY ONLY)	1				547563	547563
	36171560000	CONTROLLER (ICF,ASSY ONLY)	1			548092	548091	
	36171700000	CONTROLLER (ICF,ASSY ONLY)	1			548092	548343	
	36171740000	CONTROLLER (ICF,ASSY ONLY)	1			548344	548792	
	36171740001	CONTROLLER (ICF,ASSY ONLY)	1			548793	549137	
	36171740002	CONTROLLER (ICF,ASSY ONLY)	1			549138	549412	
	36171740004	CONTROLLER (ICF,ASSY ONLY)	1			549413	549857	
	36172580000	CONTROLLER (ICF,ASSY ONLY)	1			549858	RA0007	
	36172580001	CONTROLLER (ICF,ASSY ONLY)	1			RA0008	RA0332	
	36172830000	CONTROLLER (ICF,ASSY ONLY)	1			RA0333		
	2	34354030200	HARNES (FOR TELEMATICS)	1				
4	34354030100	SUPPORT	1					
5	99172106016	BOLT,TAPPING	3		M6X16			
6	90302040801	WASHER,SPRING	4		8			
7	90101208010	BOLT	4		M8X10			
8	91810132530	FASTENER	5					

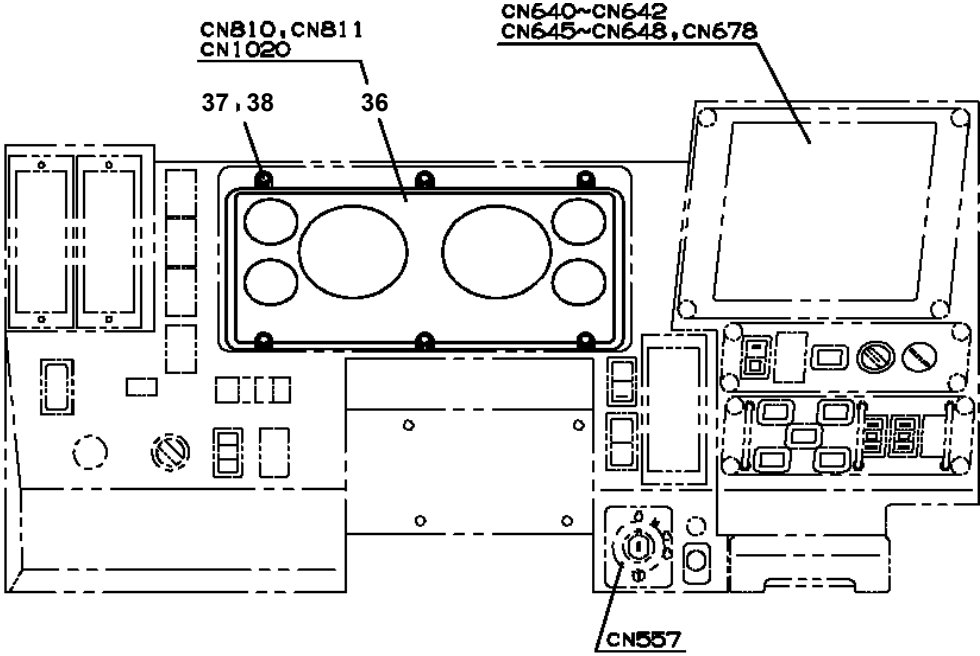
GR-750-2-00103 5 BOOM + 2 JIB, 2M2D
PE5020119-03 ELEC.ASSY (LOWER)



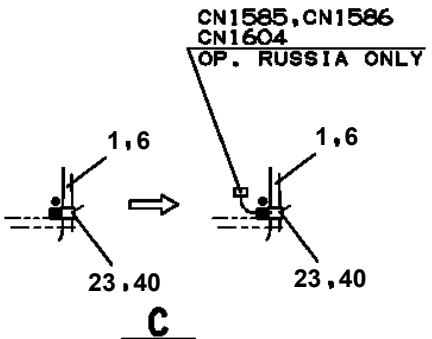
GR-750-2-00103 5 BOOM + 2 JIB, 2M2D
PE5020125-00 ELEC.ASSY (CAB/AML OVERRIDE)



GR-750-2-00103 5 BOOM + 2 JIB, 2M2D
PE5020188-02 ELEC.ASSY (CAB/STANDARD)



A



GR-750-2-00103 5 BOOM + 2 JIB, 2M2D

Pos No.	Parts No	Parts Name	Qty	Unit	Technical Data	Serial No (Start)	Se
1	(*****)	ACCESSORY LIST (ENGINE:MOUNTING PARTS)	1				
2	(*****)	ACCESSORY LIST (ENGINE:ELECTRICAL DEVICE)	1				
3	(*****)	ACCESSORY LIST (RADIATOR)	1				
100	36361450000	ENGINE ASSY (MITSUBISHI)	1				

GR-750-2-00103 5 BOOM + 2 JIB, 2M2D

Pos No.	Parts No	Parts Name	Qty	Unit	Technical Data	Serial No (Start)	Serial No (End)	Remarks
64	36320765270	SCREW,MACHINE	2					
65	36320565510	BAND	1					

GR-750-2-00103 5 BOOM + 2 JIB, 2M2D

Pos No.	Parts No	Parts Name	Qty	Unit	Technical Data	Serial No (Start)	Serial No (End)	Remarks	Pages
1	33360311020	SUPPORT	1						

GR-750-2-00103 5 BOOM + 2 JIB, 2M2D

Pos No.	Parts No	Parts Name	Qty	Unit	Technical Data	Serial No (Start)	Serial No (End)	Remarks	P
3	34781957541	ELEMENT KIT	1						
21	34781957530	O-RING	1						
100	34781951002	FILTER ASSY (WATER)	1						

GR-750-2-00103 5 BOOM + 2 JIB, 2M2D

Pos No.	Parts No	Parts Name	Qty	Unit	Technical Data	Serial No (Start)	Serial No (End)
1	36018510000	CYLINDER,TELESCOPING (NO.1)	1				
2	36018520000	CYLINDER,TELESCOPING (NO.2)	1				548424
	36019150000	CYLINDER ASSY,TELESCOPING (NO.2)	1			548425	
3	34211460100	SUPPORT	1				
4	90172112025	BOLT,HEXAGON SOCKET	4		M12X25		
5	90302041201	WASHER,SPRING	4		12		
6	37002436010	HOSE	1		L=630		
8	90303072001	WASHER,PLAIN	4		20		
9	37000104380	PIN	2				
10	80136030030	PIN,SPLIT	4		3X30		

GR-750-2-00103 5 BOOM + 2 JIB, 2M2D

Pos No.	Parts No	Parts Name	Qty	Unit	Technical Data	Serial No (Start)	Serial No (End)	Remarks	Pages
1	80720105025	PIN,SPRING	1		5X25				
3	91302204500	BEARING,PLAIN	2						
4	91100104500	SEAL,RING	1						
5	91002903000	O-RING	1		1B G30				
6	36052864000	PISTON	1						
7	36053161002	CYLINDER	1						
8	36053162000	ROD	1						
9	36052863000	COVER,ROD	1						
10	91301103000	BEARING,PLAIN	1						
11	91002904000	O-RING	1		1B G40				
12	91251100300	RING,DAMPER	1						
13	91694003000	PACKING	1						
14	91410203001	RING,BACKUP	1						
15	91660003001	SEAL,DUST	1						
41	36052869900	PACKING SET	1		30X45				
100	36053160001	CYLINDER,JIB	1						

GR-750-2-00103 5 BOOM + 2 JIB, 2M2D

Pos No.	Parts No	Parts Name	Qty	Unit	Technical Data	Serial No (Start)	Serial No
1	34372351300	SUPPORT	1				
2	32370002110	GASKET	1				
3	32370002121	COVER	1				
4	80172303025	SCREW,MACHINE	2		M3X25		
5	90302040301	WASHER,SPRING	2		3		
6	82104102010	SWITCH,LIMIT	1				
7	32370002131	ROD	1				
8	14148373001	SPRING	1				
9	80601110180	RING,RITAINING	1		S18		
10	34371314400	SUPPORT	1				
11	90303070301	WASHER,PLAIN	2		3		
12	82100002505	CONNECTOR (CN-6)	1				
13	82100002506	CONNECTOR	1				
14	32370005200	CORD	1				
15	32370005210	CORD	1				
16	82100000592	TERMINAL (M40.3 TO 1.25)	2				
17	89630201000	HOSE,VINYL	1		6X8,1M		
18	14148375000	GROMMET	1				
19	90101208045	BOLT	2		M8X45		
20	90302040801	WASHER,SPRING	2		8		
22	82100001220	INSULATOR	2				
23	82400000201	GROMMET	1		KG-016		
30	32370009512	ROD ASSY	1				
41	32370002150	SPACER	1		L=12 TO 11		
42	80720103014	PIN,SPRING	1		3X14		
50	33370888041	SWITCH,OVER WIND DETECTOR (JIB&S/T)	1				

GR-750-2-00103 5 BOOM + 2 JIB, 2M2D

Pos No.	Parts No	Parts Name	Qty	Unit	Technical Data	Serial No (Start)	Serial No (End)
1	82122910100	CAP	1				
10	34354002040	HARNESS (CW MOUNT/DISMOUNT)	1				

GR-750-2-00103 5 BOOM + 2 JIB, 2M2D

Pos No.	Parts No	Parts Name	Qty	Unit	Technical Data	Serial No (Start)	Serial No (End)	Remarks	Pages
1	34931271200	HARNESS (AIR)	1						

GR-750-2-00103 5 BOOM + 2 JIB, 2M2D

Pos No.	Parts No	Parts Name	Qty	Unit	Technical Data	Serial No (Start)	Serial No (End)	Rema
100	34354030200	HARNESS (FOR TELEMATICS)	1					

GR-750-2-00103 5 BOOM + 2 JIB, 2M2D

Pos No.	Parts No	Parts Name	Qty	Unit	Technical Data	Serial No (Start)	Serial No (End)	Remarks	Page
1	36320762200	HARNESS (MAIN A)	1						

GR-750-2-00103 5 BOOM + 2 JIB, 2M2D

Pos No.	Parts No	Parts Name	Qty	Unit	Technical Data	Serial No (Start)	Serial No (End)	Remarks	Pages
100	34491680100	HARNESS	1						

GR-750-2-00103 5 BOOM + 2 JIB, 2M2D

Pos No.	Parts No	Parts Name	Qty	Unit	Technical Data	Serial No (Start)	Serial No (End)	Remarks	Pages
100	34372690010	HARNESS	1						

GR-750-2-00103 5 BOOM + 2 JIB, 2M2D

Pos No.	Parts No	Parts Name	Qty	Unit	Technical Data	Serial No (Start)	Serial No (End)	Remarks	Pages
100	34352991600	HARNESS	1						

GR-750-2-00103 5 BOOM + 2 JIB, 2M2D

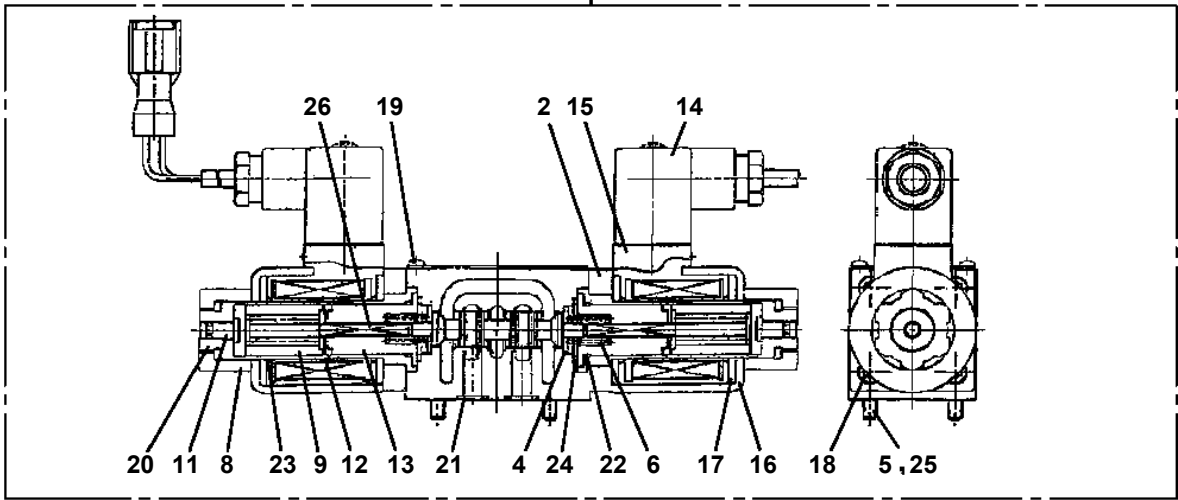
Pos No.	Parts No	Parts Name	Qty	Unit	Technical Data	Serial No (Start)	S
1	36095740000	HOOK ASSY (SHEAVE 7 PC'S,W/O SHEAVE COVER)	1				
21	37002231940	PLATE,NAME (68000KG)	2				
22	14137207000	PLATE,NAME (GREASE)	1				

GR-750-2-00103 5 BOOM + 2 JIB, 2M2D

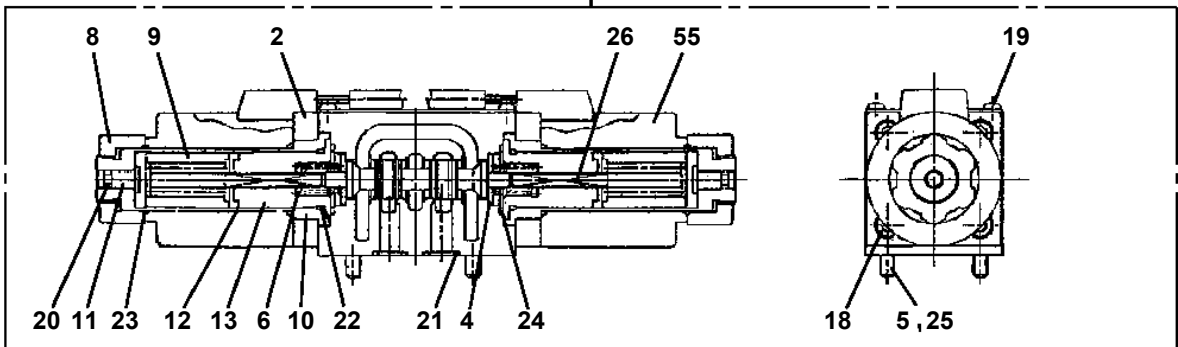
Pos No.	Parts No	Parts Name	Qty	Unit	Technical Data	Serial No (Start)	S
1	36095740000	HOOK ASSY (SHEAVE 7 PC'S,W/O SHEAVE COVER)	1				
21	37002231990	PLATE,NAME (68000KG)	2				
	37002231991	PLATE,NAME (68000KG)	2			548213	
22	34398711280	PLATE,NAME (GREASE)	1				

**GR-750-2-00103 5 BOOM + 2 JIB, 2M2D
PI1120135-05 VALVE,SOLENOID (NACHI)**

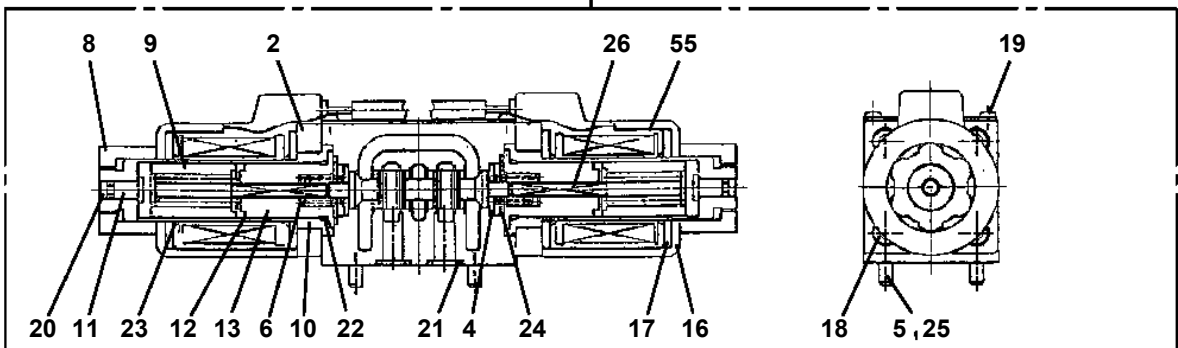
100



100



100



GR-750-2-00103 5 BOOM + 2 JIB, 2M2D

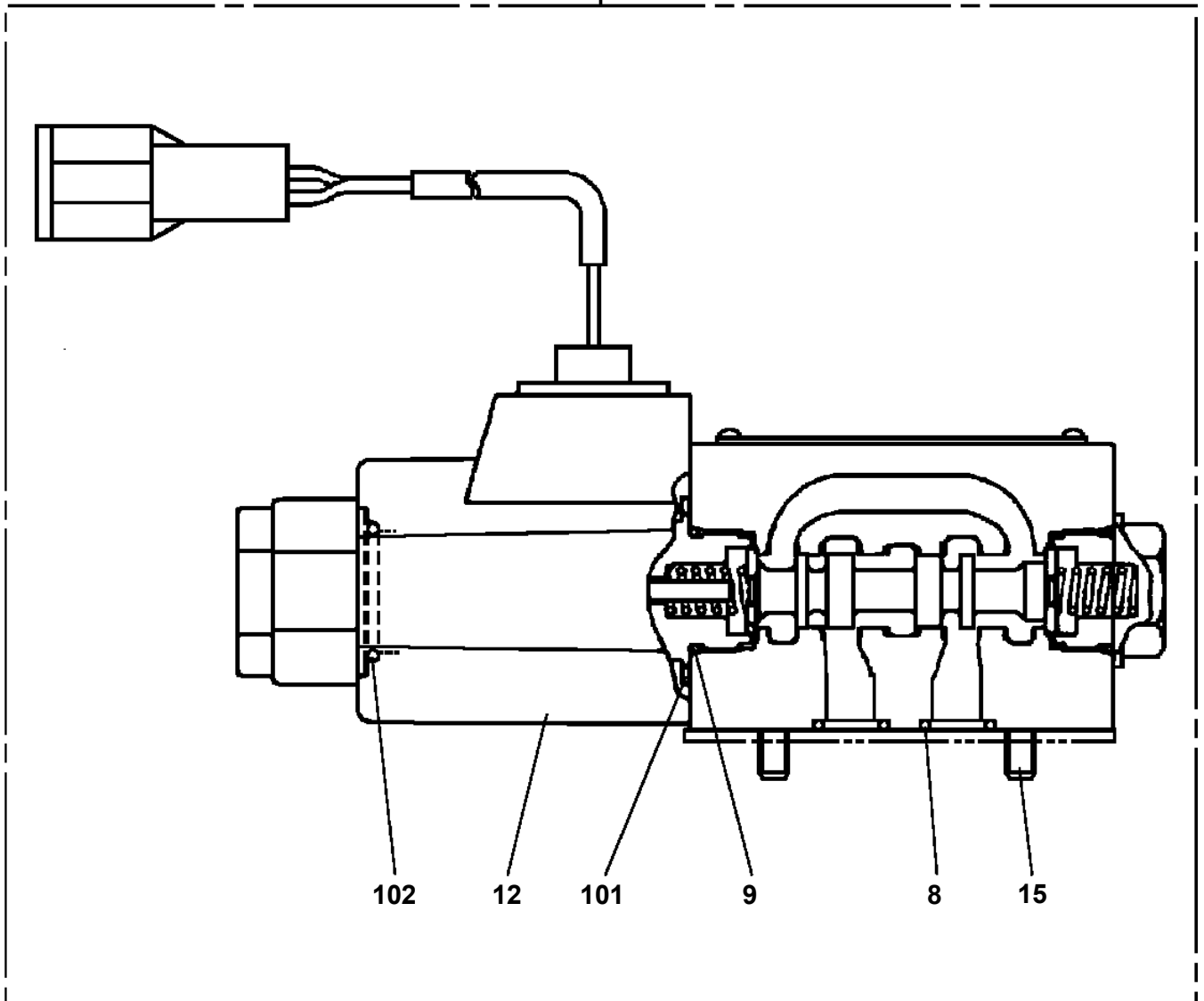
Pos No.	Parts No	Parts Name	Qty	Unit	Technical Data	Serial No (Start)	Serial No (End)	Rema
2	90131905045	BOLT,HEXAGON SOCKET	4		M5X45			
11	36741765010	NUT	2					
12	36741765020	O-RING	2					
13	36646545040	CORE ASSY (SOLENOID)	2				549736	
	36741765030	CORE ASSY (SOLENOID)	2			549737		
18	91000501200	O-RING	4					
20	36642765060	WASHER (CENTER)	2					
21	36646545020	SPRING	2					
22	36643435040	PIN,SPRING	4					
26	36642765050	O-RING	2					
34	36741765040	COIL,SOLENOID	2					
35	36648475110	O-RING	2					
50	36647900000	VALVE,SOLENOID (TOKIMEC)	1					

GR-750-2-00103 5 BOOM + 2 JIB, 2M2D

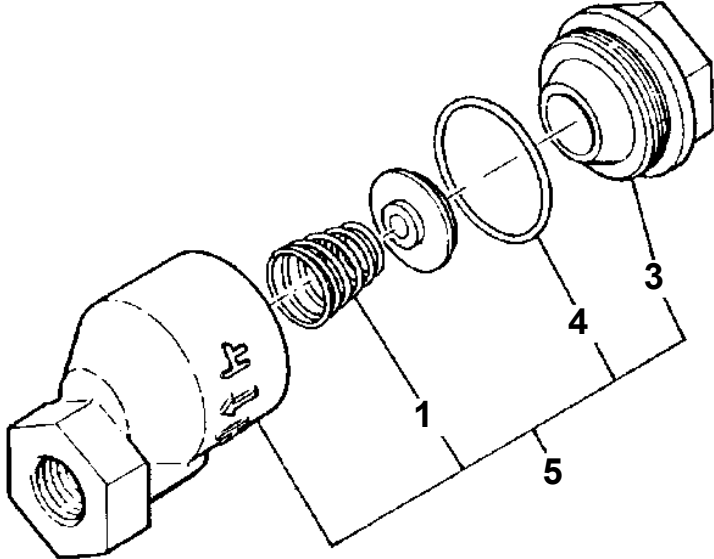
Pos No.	Parts No	Parts Name	Qty	Unit	Technical Data	Serial No (Start)	Serial No (End)	Remarks
1	36740105010	CASING	1					
2	36730165010	BOLT,HEXAGON SOCKET	4					
3	36740095020	SOLENOID ASSY	2					
25	91000501300	O-RING	2		AS568-013			
26	91000501400	O-RING	2		014 1115-70			
27	91000501500	O-RING	2		AS568-015			
29	36730165030	NUT	2					
30	36646605110	O-RING	2					
50	36740100000	VALVE,SOLENOID	1					

GR-750-2-00103 5 BOOM + 2 JIB, 2M2D
PI1120345-00 VALVE,SOLENOID

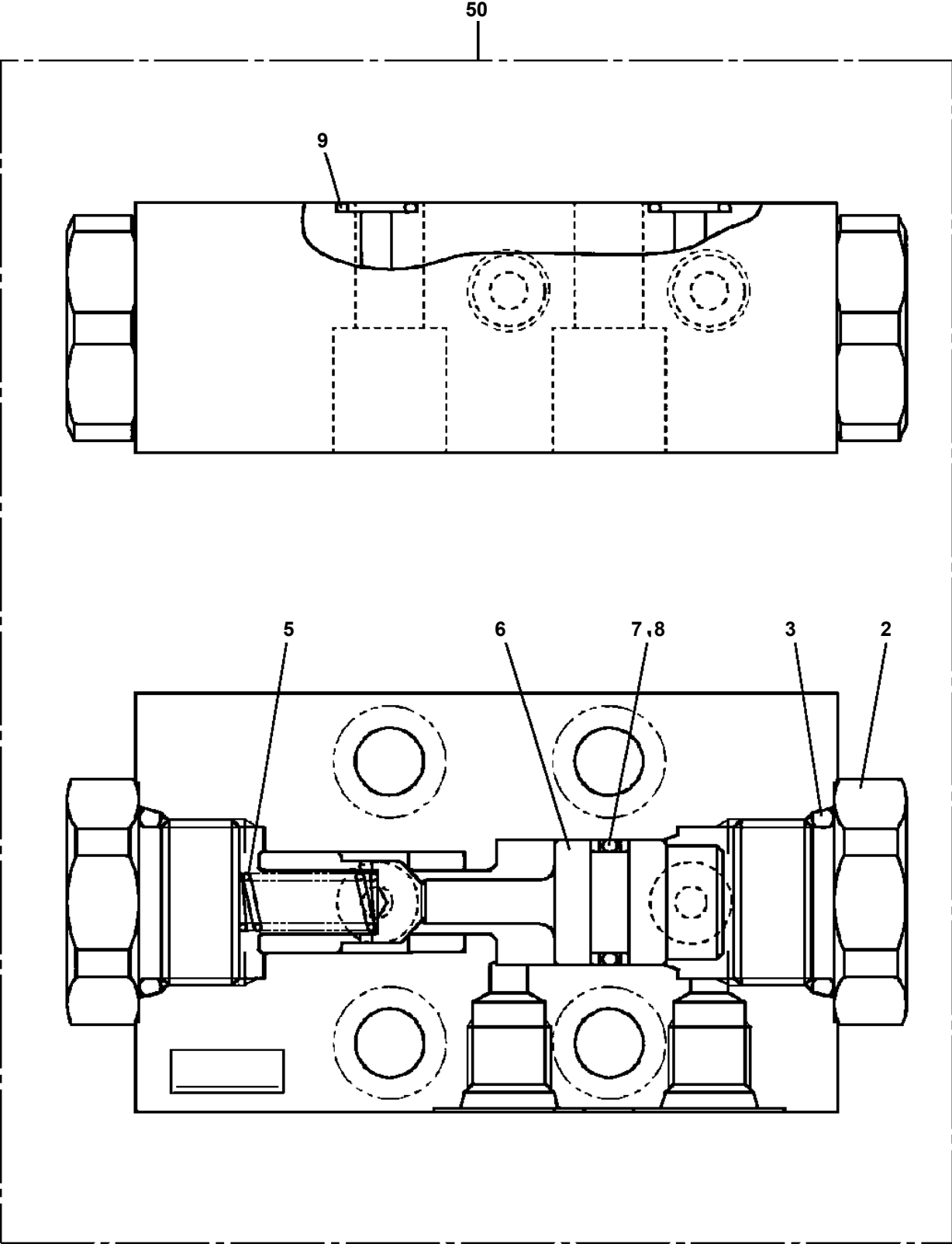
200



GR-750-2-00103 5 BOOM + 2 JIB, 2M2D
PI1140040-00 VALVE,CHECK

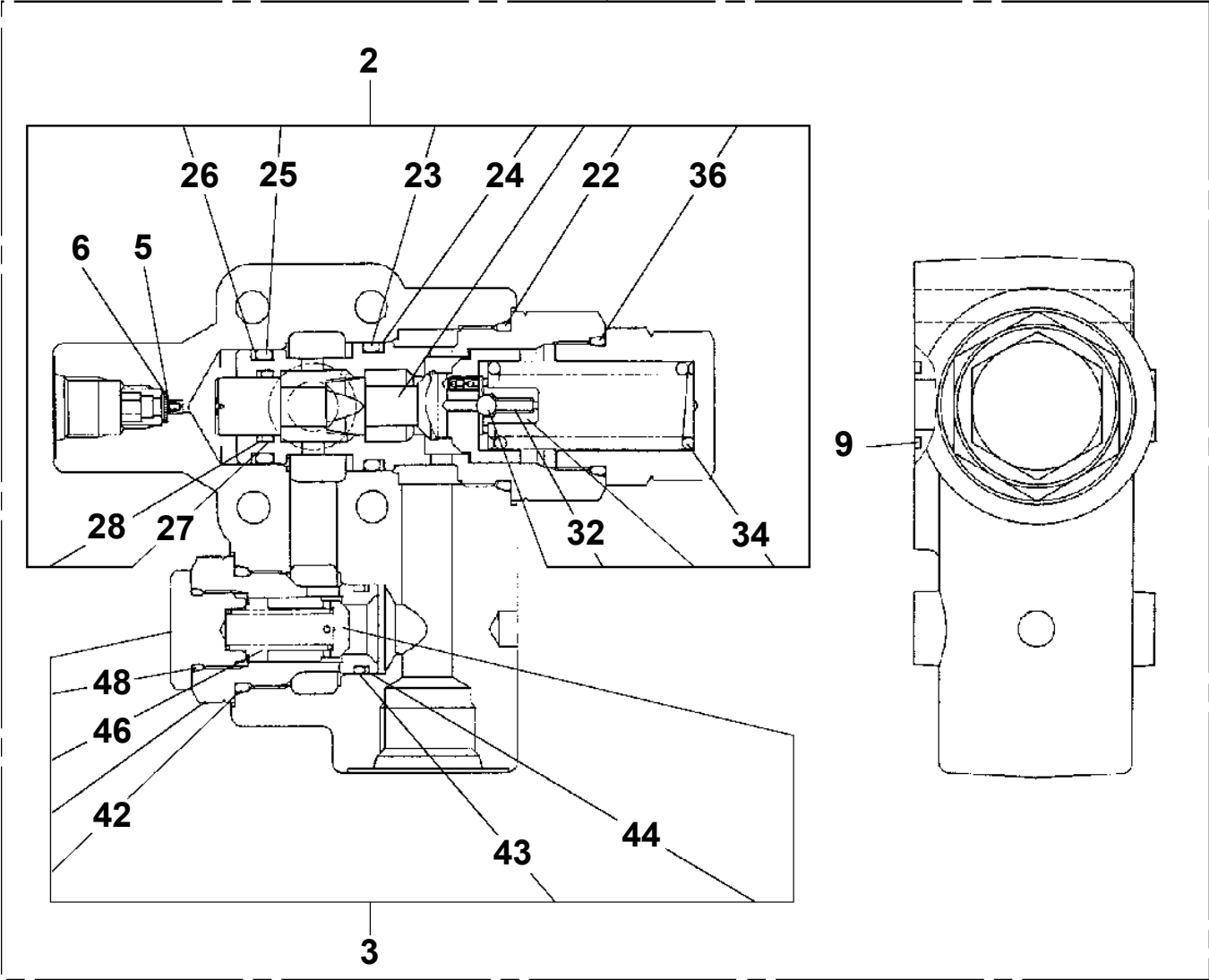


GR-750-2-00103 5 BOOM + 2 JIB, 2M2D
PI1140159-01 VALVE,CHECK



GR-750-2-00103 5 BOOM + 2 JIB, 2M2D
PI1250115-01 VALVE,COUNTERBALANCE

50



GR-750-2-00103 5 BOOM + 2 JIB, 2M2D

Pos No.	Parts No	Parts Name	Qty	Unit	Technical Data	Serial No (Start)	Serial No (End)
3	36671279510	ELEMENT	1				
4	36671275020	SPRING	1				
5	36671275030	PLUG (DRAIN)	1				
6	36671275040	VALVE,RELIEF	1				
7	36671275050	PLUG	1				
8	91001209000	O-RING	1		1A G90		
10	91001101400	O-RING	1		1A P14		
11	91002801800	O-RING	1		1B P18		
12	91001101400	O-RING	1		1A P14		
20	36671270000	FILTER,OIL (TORQUE CONVERTER)	1				

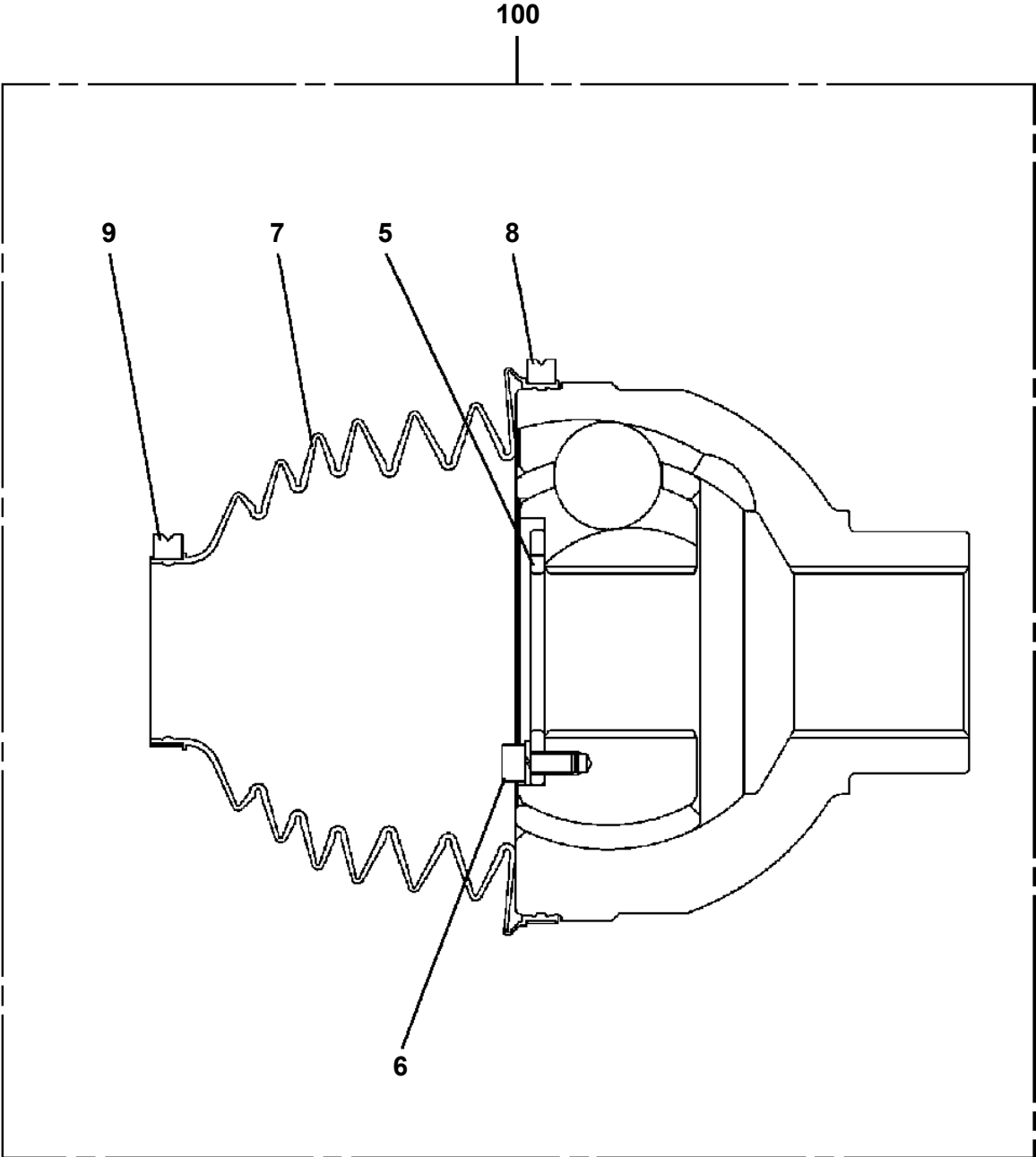
GR-750-2-00103 5 BOOM + 2 JIB, 2M2D

Pos No.	Parts No	Parts Name	Qty	Unit	Technical Data	Serial No (Start)	Serial No (End)	Remarks	Pages
1	82108501100	SWITCH	1		FL7M-5A6N-901		549576		
	82108503100	SWITCH	1		FL7M-5A6N-903	549577			
2	90303071201	WASHER,PLAIN	2		12	548543			

GR-750-2-00103 5 BOOM + 2 JIB, 2M2D

Pos No.	Parts No	Parts Name	Qty	Unit	Technical Data	Serial No (Start)	Serial No (End)	Remarks
1	36131800000	DETECTOR ASSY,LENGTH	2					
2	80182306012	SCREW,MACHINE	8		M6X12			
3	90302040601	WASHER,SPRING	8		6			
4	37001107031	ROLLER ASSY	2					
5	80601110170	RING,RITAINING	2		S17			
6	90303070601	WASHER,PLAIN	2		6			
7	80136320016	PIN,SPLIT	2		2X16			
8	34952101100	COVER	2					
9	90186208010	BOLT,FLANGE	6		M8X10			

GR-750-2-00103 5 BOOM + 2 JIB, 2M2D
PJ5080005-00 JOINT ASSY



CLICK HERE TO **DOWNLOAD** THE COMPLETE MANUAL

- Thank you very much for reading the preview of the manual.
- You can download the complete manual from: www.heydownloads.com by clicking the link below



- Please note: If there is no response to CLICKING the link, please download this PDF first and then click on it.

CLICK HERE TO **DOWNLOAD** THE COMPLETE MANUAL

GR-750-2-00103 5 BOOM + 2 JIB, 2M2D

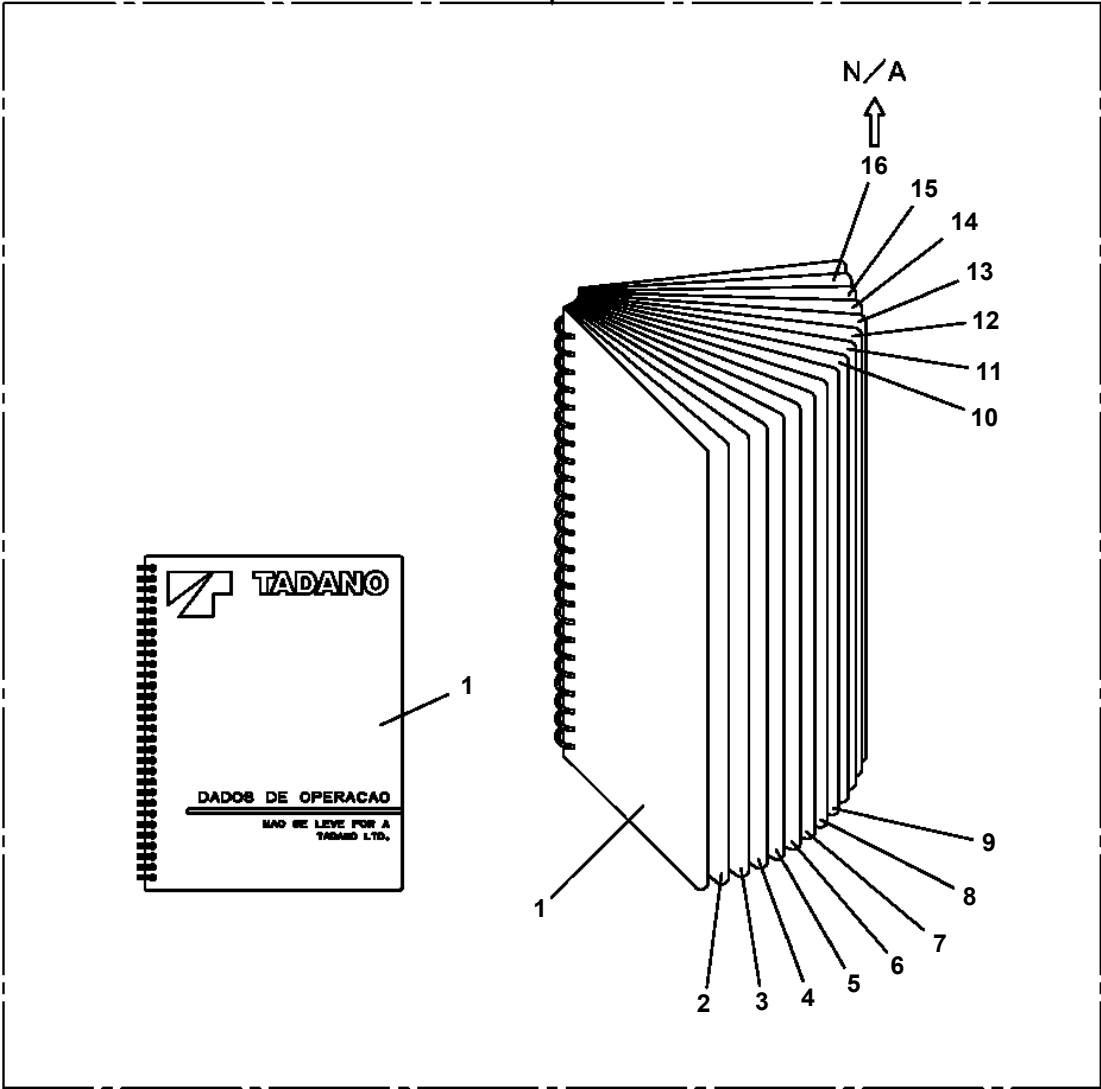
Pos No.	Parts No	Parts Name	Qty	Unit	Technical Data	Serial No (Start)	Serial No (End)	Remarks	Pages
1	34250360200	BELT	1				547784		
	34251650300	BELT	1			547785			
2	90101510025	BOLT	2		M10X25		549827		
	90171110025	BOLT	2		M10X25	549828			
3	90302041001	WASHER,SPRING	2		10				
4	90303071001	WASHER,PLAIN	2		10				
5	90201401000	NUT	2		M10				

GR-750-2-00103 5 BOOM + 2 JIB, 2M2D

Pos No.	Parts No	Parts Name	Qty	Unit	Technical Data	Serial No (Start)	Serial No (End)	Remarks	Pages
3	34491680100	HARNESS	1						000151
11	82199444129	LAMP (RED)	1		24V 12W				
12	82199444329	LAMP (YELLOW)	1		24V 12W				
31	82166600010	BULB,LAMP	2		24V/12W				

GR-750-2-00103 5 BOOM + 2 JIB, 2M2D
PL5260135-00 LOAD CHART BOOKLET (PORTUGUESE)

50



GR-750-2-00103 5 BOOM + 2 JIB, 2M2D

Pos No.	Parts No	Parts Name	Qty	Unit	Technical Data	Serial No (Start)	Serial No (End)	Remarks	P
2	36683755010	GLASS ASSY	1						
100	36684060000	METER,COMBINATION	1						

GR-750-2-00103 5 BOOM + 2 JIB, 2M2D

Pos No.	Parts No	Parts Name	Qty	Unit	Technical Data	Serial No (Start)	Serial No
11	36193345010	BOARD ASSY (CON1,CON2)	1				
13	36193345030	CASE (WITH SEAT)	1				
41	36195345010	BOARD ASSY (WITH DATA CPU,DISP,LCD)	1				
61	36193345050	BATTERY (LITHIUM)	1				
	36193345060	BATTERY (LITHIUM)	1			549913	549912
100	36195340000	MOMENT LIMITER:AML	1				

GR-750-2-00103 5 BOOM + 2 JIB, 2M2D

Pos No.	Parts No	Parts Name	Qty	Unit	Technical Data	Serial No (Start)	Serial No (End)	Remarks	P
11	34930707510	LENS	1						
12	82166300210	BULB,LAMP (KOITO)	1		24V 21W				
13	82166300050	BULB,LAMP (KOITO)	1		24V 5W				
100	34930704000	LAMP (COMBINATION)	1						

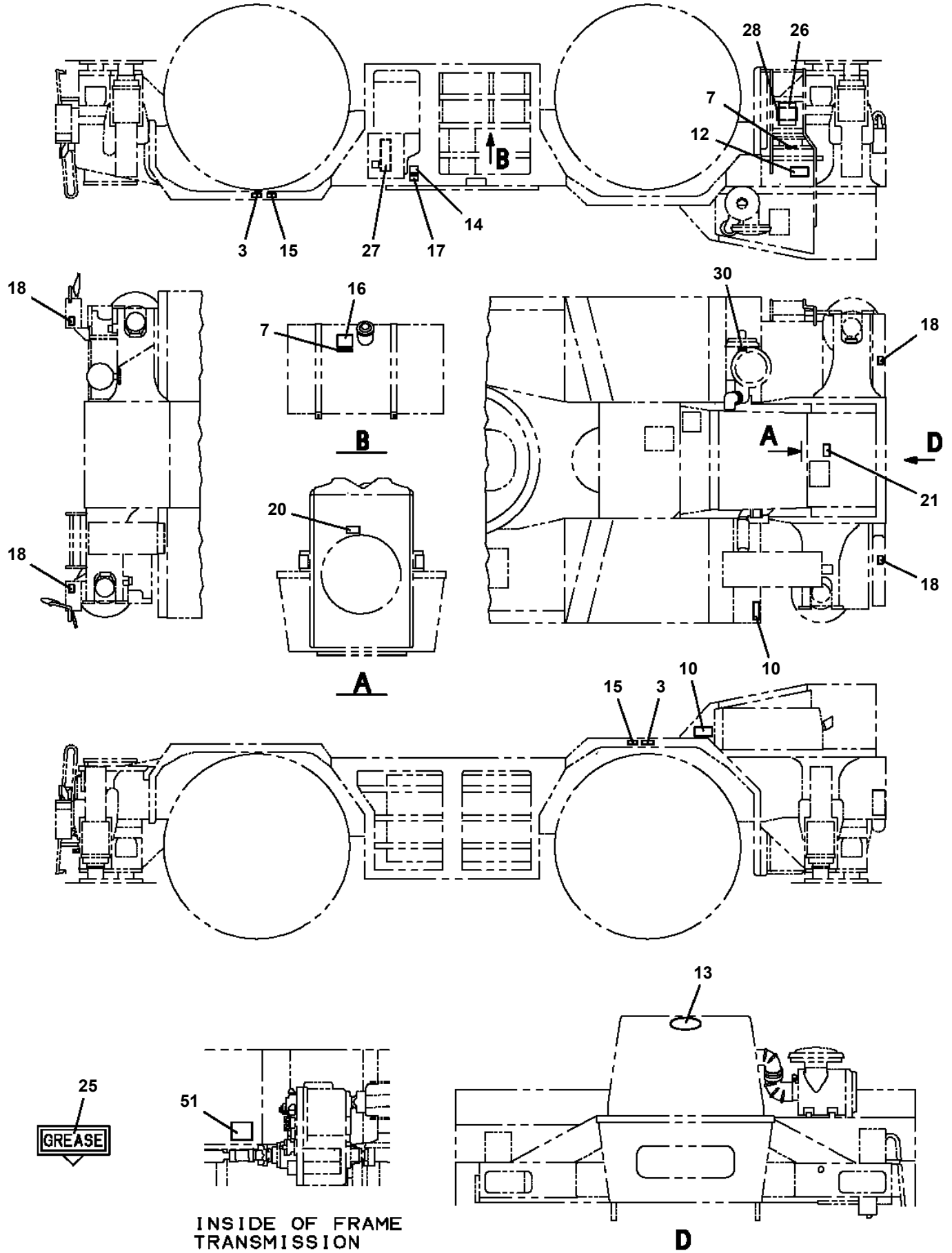
GR-750-2-00103 5 BOOM + 2 JIB, 2M2D

Pos No.	Parts No	Parts Name	Qty	Unit	Technical Data	Serial No (Start)	Serial No (End)	Re
100	37010000010	BATTERY (HYUNDAI ENERCELL)	1					

GR-750-2-00103 5 BOOM + 2 JIB, 2M2D

Pos No.	Parts No	Parts Name	Qty	Unit	Technical Data	Serial No (Start)	Se
121	37002214470	PLATE,NAME (BLUE & BLACK)	1				
122	37002214490	PLATE,NAME (WHITE & WHITE)	1				

GR-750-2-00103 5 BOOM + 2 JIB, 2M2D
PN5010442-00 NAME PLATE ASSY (LOWER/ENGLISH & SPANISH)



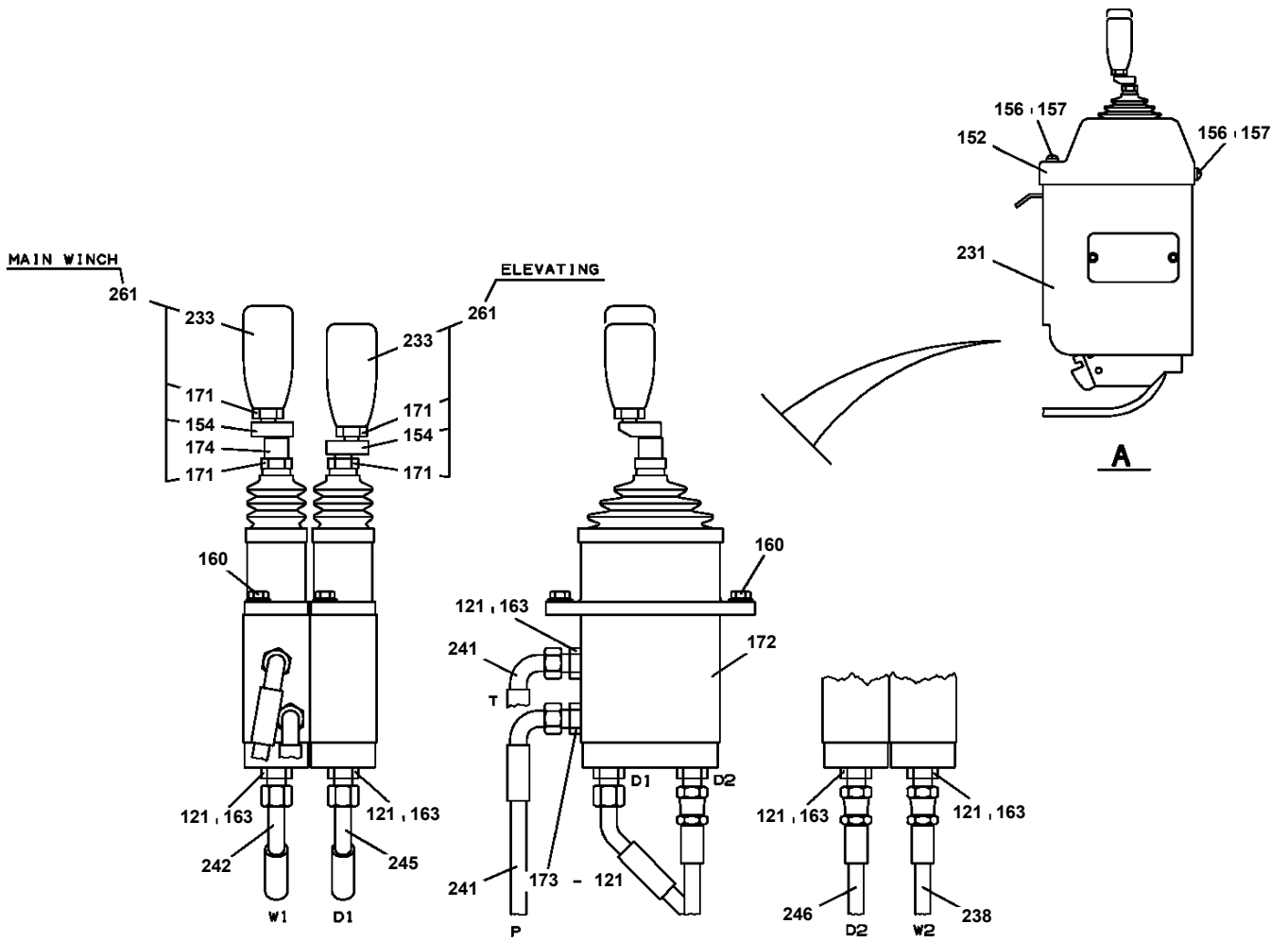
GR-750-2-00103 5 BOOM + 2 JIB, 2M2D

Pos No.	Parts No	Parts Name	Qty	Unit	Technical Data	Serial No (Start)	Serial No (End)	Remarks	Pages
1	37002234080	PLATE,NAME	1						
2	91810130250	FASTENER	1						

GR-750-2-00103 5 BOOM + 2 JIB, 2M2D

Pos No.	Parts No	Parts Name	Qty	Unit	Technical Data	Serial No (Start)	Serial No (End)	Remarks	Pages
1	34394242100	PLATE,NAME	1						

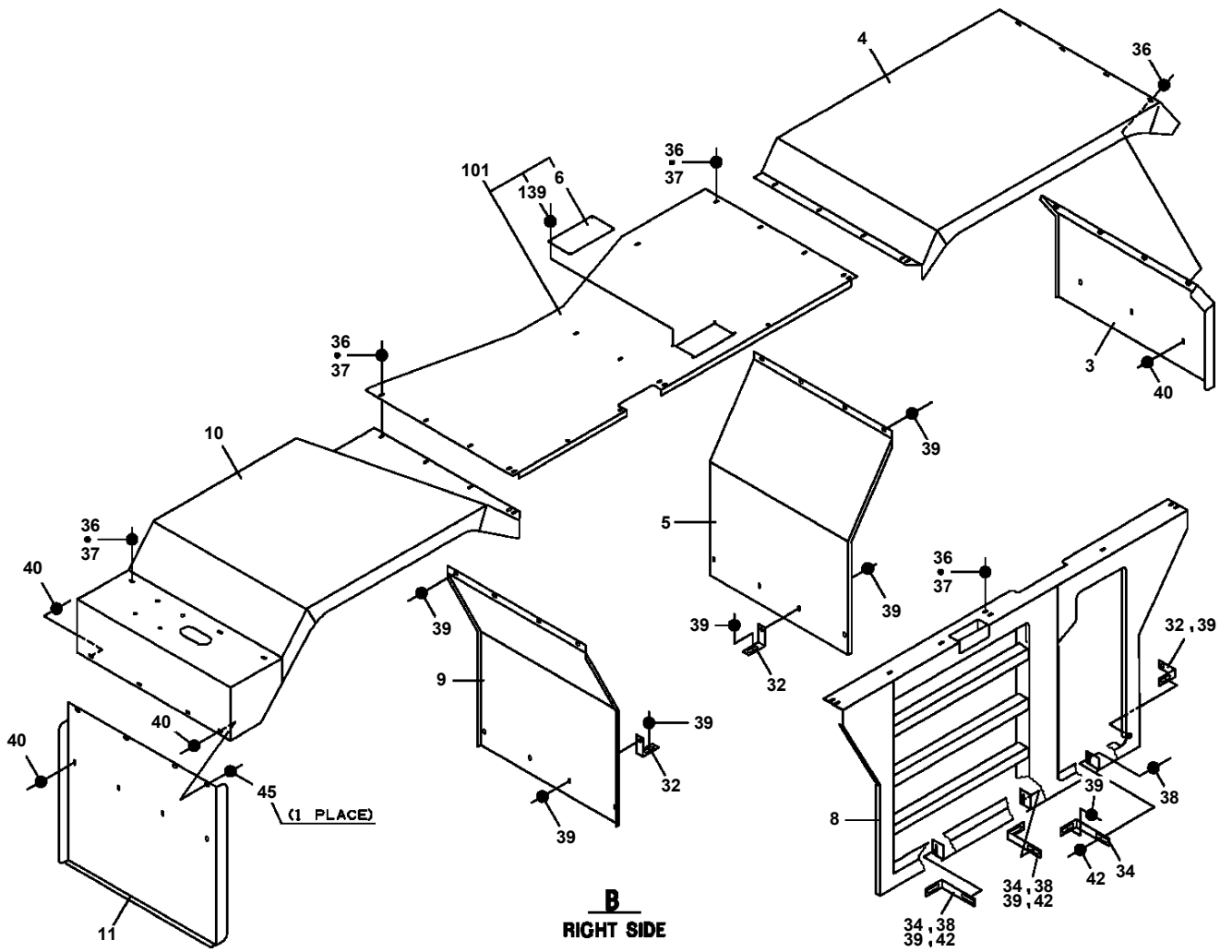
**GR-750-2-00103 5 BOOM + 2 JIB, 2M2D
PO5080035-03 OPE.ASSY,CONT.VALVE (VISUAL)**



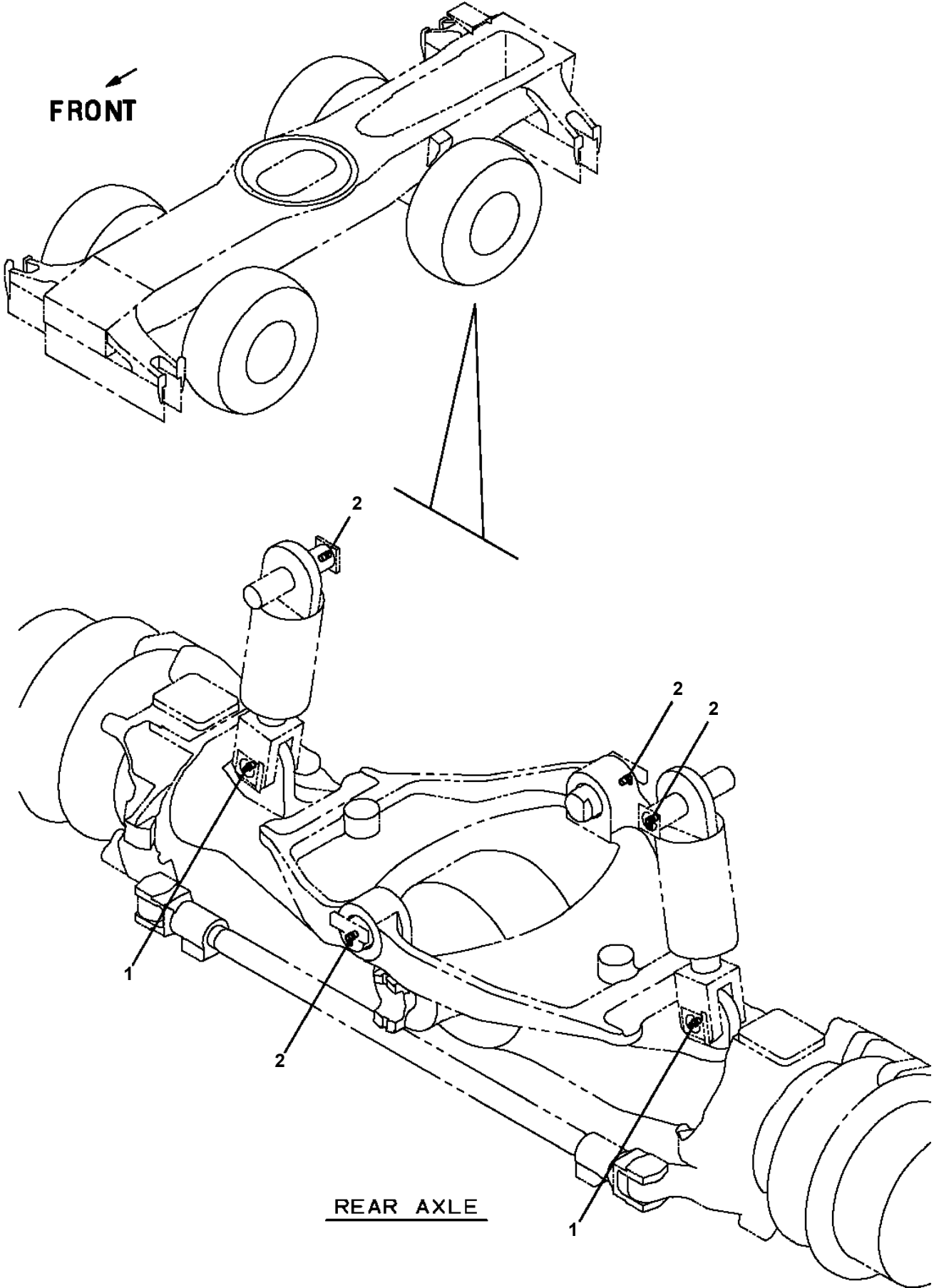
GR-750-2-00103 5 BOOM + 2 JIB, 2M2D

Pos No.	Parts No	Parts Name	Qty	Unit	Technical Data	Serial No (Start)	Serial No (End)	Rem
135	34321966200	PEDAL	2					
136	34321966300	SUPPORT	2					
137	34321966400	BOOT	2					
151	34323251101	BOX ASSY (LEFT)	1					
152	34320901200	COVER	2					
153	34320901300	SUPPORT	2					
154	34320901401	SHAFT	4					
155	82108501280	SWITCH	1		FL7M506N-901		549509	
	82108503280	SWITCH	1			549510		
156	80176404012	SCREW,MACHINE	8		M4X12			
157	90305260401	WASHER	8		4			
158	90280200800	NUT,FLANGE	2		M8			
160	90186208020	BOLT,FLANGE	10		M8X20			
161	37002450710	HOSE	1		L=800			
162	37002472000	HOSE	1		L=730			
163	80400160127	JOINT	10					
165	37002443710	HOSE	1		L=2200			
166	37002451480	HOSE	1		L=2600			
167	90186206010	BOLT,FLANGE	2		M6X10			
168	82114101020	CONNECTOR (2P,MALE)	2					
169	82100002008	CLAMP	1		WR12			
170	82141921070	CABLE	2	M				
171	90203501200	NUT	8		M12			
172	36634920000	VALVE,CONTROL	2					
173	36672460000	FILTER (NIPPLE TYPE)	2					
174	37002510460	HOSE	2		L=15			
175	34320904201	KNOB (RED)	1					
176	82101700412	SWITCH,PUSH	2					
177	82111101010	TERMINAL	4					
178	82121102020	HOLDER	2					
179	82121101030	PLUG	4					
180	37002472020	HOSE	1		L=2030			
181	37002465820	HOSE	1		L=2050			
182	34320903800	CAP	2					
183	34322471100	KNOB	1					
184	34321691110	SOLENOID	2					
185	34322471201	KNOB	1					
186	90303071201	WASHER,PLAIN	1		12			
187	82100000192	TERMINAL	2					
188	82100000182	INSULATOR	2					
189	82100000191	TERMINAL	2					
190	82100000183	INSULATOR	2					
191	91810130230	FASTENER	1					
201	34322238010	KNOB ASSY	1					
202	34322478010	KNOB ASSY	1					
221	34322235600	SUPPORT	1					
222	37000118050	PIN	1					
223	90186208010	BOLT,FLANGE	1		M8X10			
224	34321961200	LEVER	2					
225	37000515600	PLATE	2		T=1.0		548450	
	37000515600	PLATE	3		T=1.0	548451		
231	34323252101	BOX ASSY (RIGHT)	1					
241	37002450510	HOSE	2		L=1250			
242	37002472030	HOSE	1		L=2460			
255	37002444970	HOSE	1		L=2275			
256	37002473200	HOSE	1		L=2240			
259	82100002002	CLAMP	1		WR6			
266	37002460250	HOSE	1		L=2950			
269	34320903900	KNOB	1					
270	34320904000	KNOB	1					
271	34320904300	KNOB	1					
281	34322238030	KNOB ASSY	1					
282	34320908120	KNOB ASSY	1					

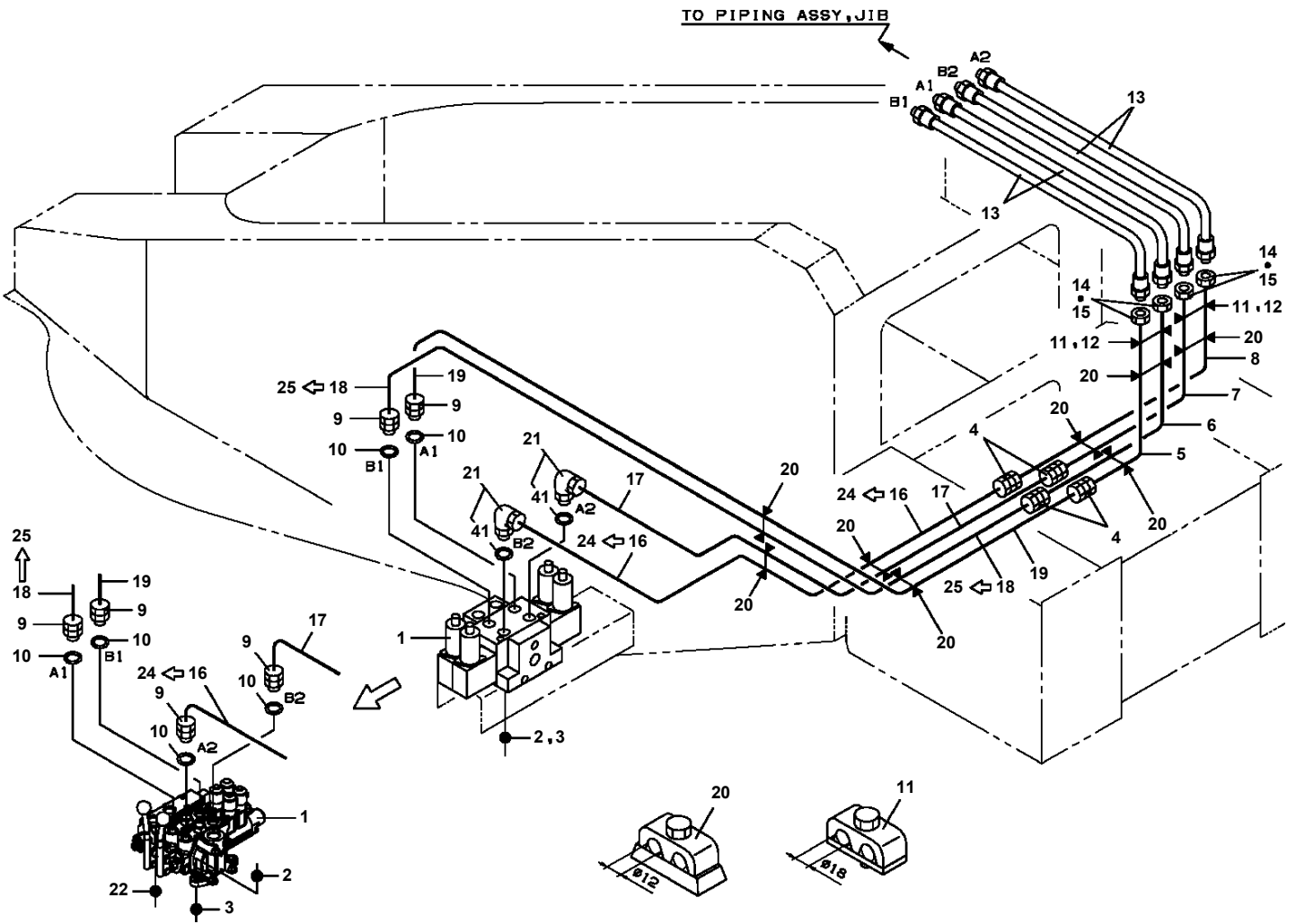
GR-750-2-00103 5 BOOM + 2 JIB, 2M2D
PO5260010-04 OUTER COVERING ASSY (FENDER, NON SLIP PAINT)



GR-750-2-00103 5 BOOM + 2 JIB, 2M2D
PP5120029-00 PARTS ASSY,GREASE



GR-750-2-00103 5 BOOM + 2 JIB, 2M2D
PP6010063-01 PIPING ASSY (JIB SET)



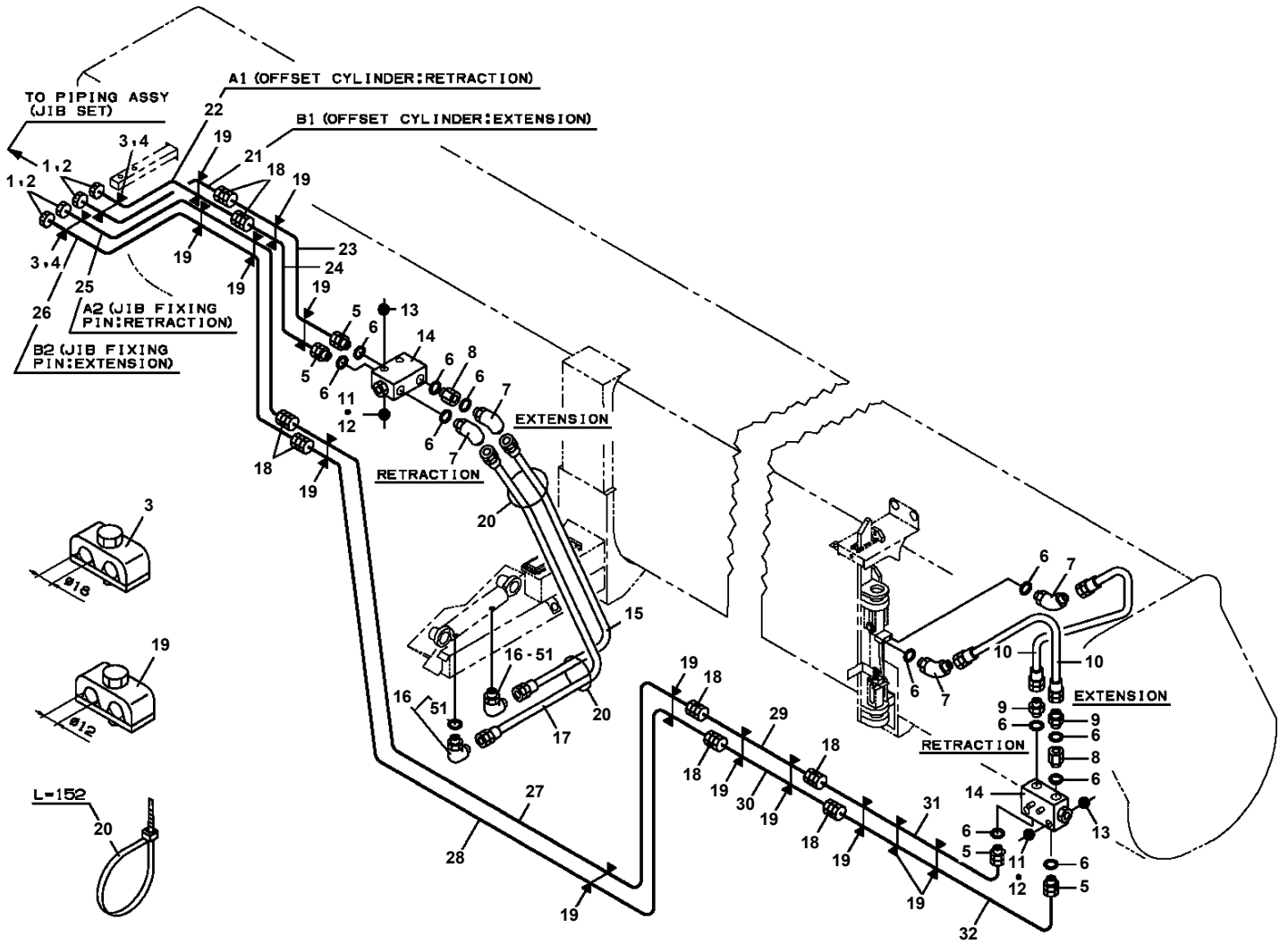
GR-750-2-00103 5 BOOM + 2 JIB, 2M2D

Pos No.	Parts No	Parts Name	Qty	Unit	Technical Data	Serial No (Start)	Serial No (End)	Remark
71	81408000160	PIPE,STEEL	1	M	12X1.4T			
72	81408000160	PIPE,STEEL	2	M	12X1.4T			
73	81408000160	PIPE,STEEL	2	M	12X1.4T			
74	81408000160	PIPE,STEEL	2	M	12X1.4T			
75	81408000160	PIPE,STEEL	1	M	12X1.4T			
76	81408000160	PIPE,STEEL	2	M	12X1.4T			
77	81408000160	PIPE,STEEL	1	M	12X1.4T			
78	81408000160	PIPE,STEEL	2	M	12X1.4T			
79	80400160177	JOINT	4		T,G1/2-G1/2-G3/8			
80	91810132530	FASTENER	4					
82	82100001819	TUBE,SPIRAL	1	M	SE-18BK			
83	37002470360	HOSE	2		L=450			
84	91810160010	HOLDER	1					
85	37012404150	HOSE	4		L=900	548569		
101	91002801800	O-RING	1		1B P18			
111	91002801400	O-RING	4		1B P14			
121	36649890000	VALVE,SOLENOID	1					
122	36648911000	BODY	1					
123	80316070040	PLUG	1		PF1/4			
124	91002801100	O-RING	2		1B P11			
125	90172105045	BOLT,HEXAGON SOCKET	4		M5X45			

GR-750-2-00103 5 BOOM + 2 JIB, 2M2D

Pos No.	Parts No	Parts Name	Qty	Unit	Technical Data	Serial No (Start)	Serial No (End)
1	36101940000	TANK,BRAKE FLUID	1				
2	90186206020	BOLT,FLANGE	4		M6X20		
3	37000915670	JOINT	3		R1/2-M22		
4	90303382201	WASHER	3		M22		
5	90280200600	NUT,FLANGE	6		M6		
6	34921111001	SUPPORT	1				
7	90209201000	NUT	9		M10		
8	90302041001	WASHER,SPRING	21		10		
9	90303071001	WASHER,PLAIN	8		10		
10	37000904230	FITTING,ELBOW	3		L,R1/4-M16		
11	37000904830	NUT,FLARE	12		M16		
12	34920672100	SUPPORT	2				
13	90186210025	BOLT,FLANGE	4		M10X25		
14	90280201000	NUT,FLANGE	4		M10		
15	90269201000	NUT	4		M10		
16	37000922660	FITTING,ELBOW	2				
17	37000904840	NUT,FLARE	4		M20		
18	42340011070	JOINT	2		T,PT1/4-PT1/4-PT1/4		
19	35770292250	SWITCH (STOP LAMP)	1				
20	37000903930	FITTING	2		S,R1/4-M16		
21	90302040801	WASHER,SPRING	6		8		
22	90186208020	BOLT,FLANGE	2		M8X20		
23	37000711000	CLAMP ASSY	3		12-1		
24	37000302720	SLEEVE	16		12-6.35		
25	37000711080	CLAMP ASSY	2		12-2		
26	37000300720	SLEEVE	9		12-10		
27	34922548010	PIPE ASSY	1		10XT0.7 L=1155		
28	34922548020	PIPE ASSY	1		6.35XT0.7 L=2072		
29	34922548030	PIPE ASSY	1		6.35XT0.7 L=1620		
30	34922548040	PIPE ASSY	1		10XT0.7 L=1618		
31	35770292150	SWITCH,PRESSURE (LOW AIR)	1				
32	34922548050	PIPE ASSY	1		6.35XT0.7 L=1530		
33	37000904010	FITTING	2		S,M12-M12		
34	37000904810	NUT,FLARE	34		M12		
35	34922548060	PIPE ASSY	1		6.35XT0.7 L=1122		
36	37000910220	FITTING	1		S,R1/2-12		
37	91803880110	CLIP	4		D=10.0-12.2		
38	37000921430	JOINT	2		T,G1/4-6.35-6.35		
39	37002465700	HOSE,BRAKE	1		L=540		
40	36645960000	VALVE ASSY,SOLENOID	1				
41	82100002002	CLAMP	2		WR6		
42	34922548070	PIPE ASSY	1		6.35XT0.7 L=330		
43	37000904510	FITTING,TEE	1		T,6.35		
44	34920274000	END	1				
45	90209201200	NUT	1		M12		
46	90191212035	BOLT	2		M12X35		
47	90302041201	WASHER,SPRING	2		12		
48	36700140000	CHAMBER,BRAKE	1		16A		
49	34922548080	PIPE ASSY	1		6.35XT0.7 L=1078		
50	37000921420	JOINT	1		T,1/4-M12-M12		
51	34922548090	PIPE ASSY	1		6.35XT0.7 L=616		
52	37000921400	JOINT	2		90,G1/4-6.35		
53	37001600810	NUT	3		PF1/4		
54	90304111401	WASHER,TOOTH	3		14		
55	82100002042	CLAMP	1		WE20		
56	37002437510	HOSE,BRAKE	4		L=535		
58	34922541000	SUPPORT	2				
59	90101210020	BOLT	8		M10X20		
60	37000903400	FITTING,ELBOW <L,R1/2-M16	1				
61	37001601440	NUT	10		M12X1.0		
62	90304111201	WASHER,TOOTH	10		12		
63	34922548110	PIPE ASSY	1		6.35XT0.7 L=616		
64	34922542000	SUPPORT	1				

GR-750-2-00103 5 BOOM + 2 JIB, 2M2D
PP6180002-01 PIPING ASSY,JIB



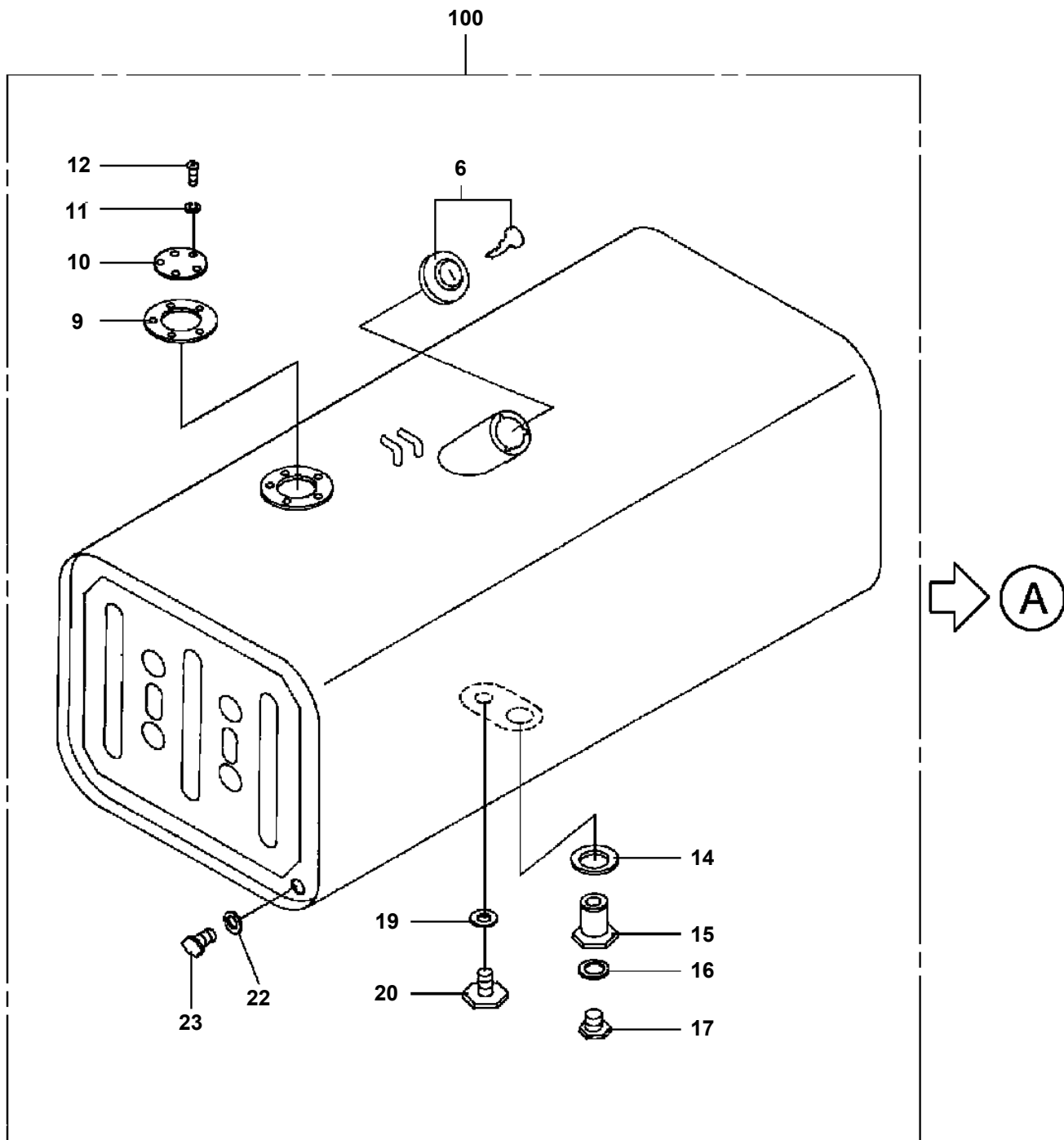
GR-750-2-00103 5 BOOM + 2 JIB, 2M2D

Pos No.	Parts No	Parts Name	Qty	Unit	Technical Data	Serial No (Start)	Serial No (End)	Remarks
1	37002428150	HOSE	1		L=1180			
2	37002428620	HOSE	1		L=1250			
3	90186208014	BOLT,FLANGE	6		M8X14			
4	37000547660	PLATE	6		T=2.3			
5	34345734500	SUPPORT	1					
6	91803930650	CLIP	4		50-65			
7	34345734100	FITTING,FLANGE	1					
8	34345734300	JOINT	1					
9	80302090141	FITTING	5		KCO12-020N			
10	91002801100	O-RING	7		1B P11			
11	36672630000	FILTER (WITH O-RING)	4					
12	37000919390	JOINT (ORIFICE)	1		1.0			
13	36740100000	VALVE,SOLENOID	1			547660	547659	
	36740100001	VALVE ASSY,SOLENOID	1					
14	80303130141	FITTING,ELBOW	5		KLO12-020E			
15	80305010100	FITTING,TEE	5		KTA12-000N			
16	80302090322	FITTING	2		KCO28-080N			
17	91002802900	O-RING	3		1B P29			
18	36606030000	VALVE,SEQUENCE	1					
19	34345734400	FITTING,FLANGE	1					
20	90101208030	BOLT	8		M8X30			
21	90302040801	WASHER,SPRING	10		8			
22	37002502960	HOSE	1		L=170			
23	91803930500	CLIP	4		38-50			
24	90172108060	BOLT,HEXAGON SOCKET	2		M8X60			
25	91002904000	O-RING	2		1B G40			
27	36673300000	ACCUMULATOR	1					
28	36741860000	VALVE ASSY,SELECTOR	1					
29	90302041201	WASHER,SPRING	8		12			
30	90101212055	BOLT	2		M12X55			
31	90201201200	NUT	2		M12			
32	90101212020	BOLT	2		M12X20			
33	91002906000	O-RING	1		1B G60			
34	90101212030	BOLT	4		M12X30			
35	37002500900	HOSE	1		L=1150			
36	37002475980	HOSE	1		L=700			
37	80400160134	JOINT	1					
38	37000916520	JOINT	2		L,G1-G1/4-28			
39	37002472320	HOSE	1		L=350			
40	80306010165	NUT	1		KKN018-000E			
41	80309010165	SLEEVE	1					
42	37000701560	CLAMP ASSY	1		18X2			
43	37000711090	CLAMP ASSY	2		18X2			
44	37000701550	CLAMP ASSY	1		18X1			
45	37000711000	CLAMP ASSY	3		12-1			
47	80301010160	FITTING	1		KUA18-000N			
48	80305010160	FITTING,TEE	1		KTA18-000E			
49	80330001300	FITTING,TEE	1		KTR18-120N			
50	80400160212	JOINT	1		T,12XG1/4XG1/4			
51	80321112050	VALVE,CHECK	1					
53	80303130241	FITTING,ELBOW	1		KLO18-040E		549535	
	80303130241	FITTING,ELBOW	2		KLO18-040E	549536		
54	80302090241	FITTING	4		KCO18-040N			
55	91002801800	O-RING	5		1B P18		549535	
	91002801800	O-RING	4		1B P18	549536		
56	37000713910	CLAMP ASSY	2		12X2		547659	
	37000711080	CLAMP ASSY	2		12-2	547660		
58	80302090161	FITTING	1		KCO12-030N			
59	36671970000	FILTER ASSY	1					
60	91002801400	O-RING	1		1B P14			
61	90280200800	NUT,FLANGE	2		M8			
62	81408000341	PIPE,STEEL	1	M	28X3.1T			
63	81408000341	PIPE,STEEL	1	M	28X3.1T			

GR-750-2-00103 5 BOOM + 2 JIB, 2M2D

Pos No.	Parts No	Parts Name	Qty	Unit	Technical Data	Serial No (Start)	Serial No (End)	Rem
1	36654530001	PUMP ASSY,OIL (MAIN)	1					
2	36651900000	PUMP,HYDRAULIC (STEERING)	1					
3	34641491100	FITTING,FLANGE	1					
4	34641491200	FITTING,FLANGE	1					
5	34641491300	FITTING,FLANGE	1				547934	
	34641491400	FITTING,FLANGE	1			547935		
6	34640381400	JOINT	1					
7	34640441400	PLATE	1					
8	37002507930	HOSE (KURARAY PLASTICS)	1		L=830			
	37002515490	HOSE (TOYO TIRES)	1		L=830			
9	37002503180	HOSE	1		L=180			
10	37002509480	HOSE	1		L=340			
11	91803931120	CLIP	4		87-112			
12	91803930500	CLIP	4		38-50			
13	91803600600	CLIP	4		D=45-60			
14	90172110030	BOLT,HEXAGON SOCKET	8		M10X30			
15	90302041001	WASHER,SPRING	14		10			
16	90302041201	WASHER,SPRING	8		12			
17	90101512120	BOLT	4		M12X120		547934	
	90172112100	BOLT,HEXAGON SOCKET	4		M12X100	547935		
18	90101510030	BOLT	4		M10X30			
19	90191210025	BOLT	2		M10X25			
20	90302041601	WASHER,SPRING	4		16			
21	90172116060	BOLT,HEXAGON SOCKET	4		M16X60			
22	90303071201	WASHER,PLAIN	4		12			
23	90101512035	BOLT	4		M12X35			
24	91002911000	O-RING	1		1B G110			
25	91002907000	O-RING	1		1B G70			
26	91002903000	O-RING	1		1B G30			
27	91002903500	O-RING	1		1B G35			
28	34640271700	GASKET	1					
29	80316100020	PLUG	1		GPF 1/4			
30	91002801100	O-RING	1		1B P11			

GR-750-2-00103 5 BOOM + 2 JIB, 2M2D
PQ1100033-02 TANK,FUEL (300L)



Ⓐ 部へ変更
ALTERATION TO Ⓐ

GR-750-2-00103 5 BOOM + 2 JIB, 2M2D

Pos No.	Parts No	Parts Name	Qty	Unit	Technical Data	Serial No (Start)	Serial No (End)	R
1	36302115010	SPIDER ASSY	2					
2	36302295030	YOKE ASSY	1					
3	36302115030	BOLT	16		M12X53X1.25			
4	36302115040	WASHER,SPRING	16					
11	59236000010	NIPPLE,GREASE (UNF1/4X35A)	2					
30	36302295000	SHAFT,PROPELLER (T/M-F/AXLE)	1					

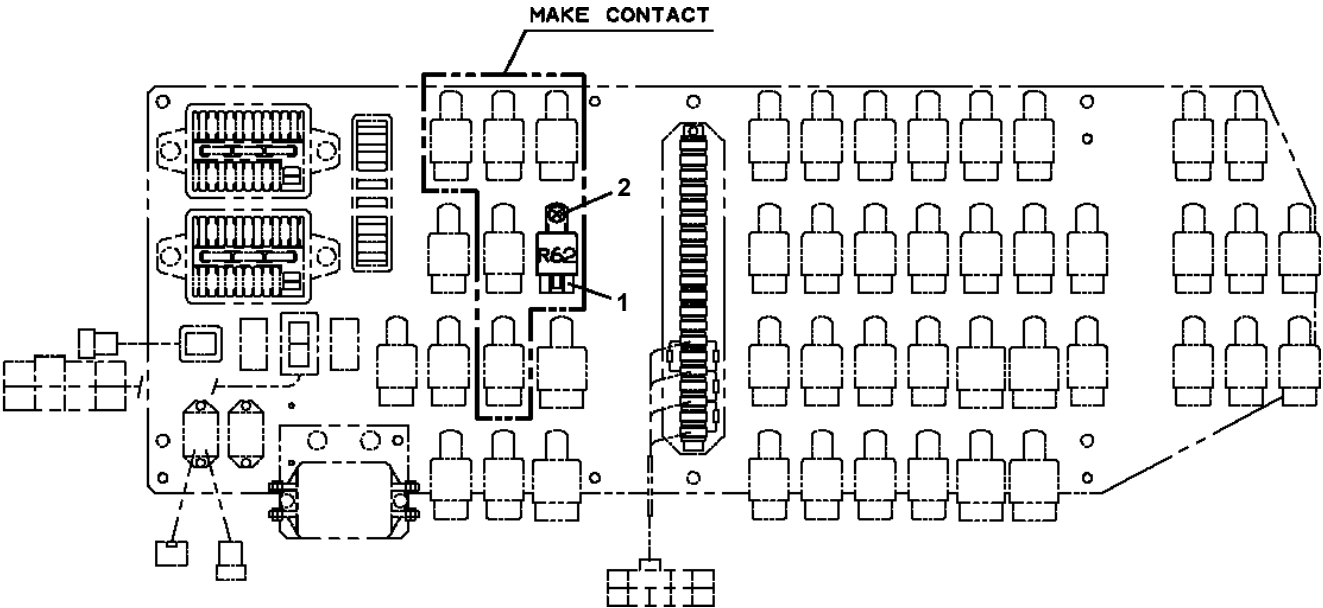
GR-750-2-00103 5 BOOM + 2 JIB, 2M2D

Pos No.	Parts No	Parts Name	Qty	Unit	Technical Data	Serial No (Start)	Serial No (End)	Remarks	Pages
1	36361325070	RADIATOR ASSY	1						
2	36361325080	COOLER ASSY	1						
100	36361493010	RADIATOR ASSY	1						

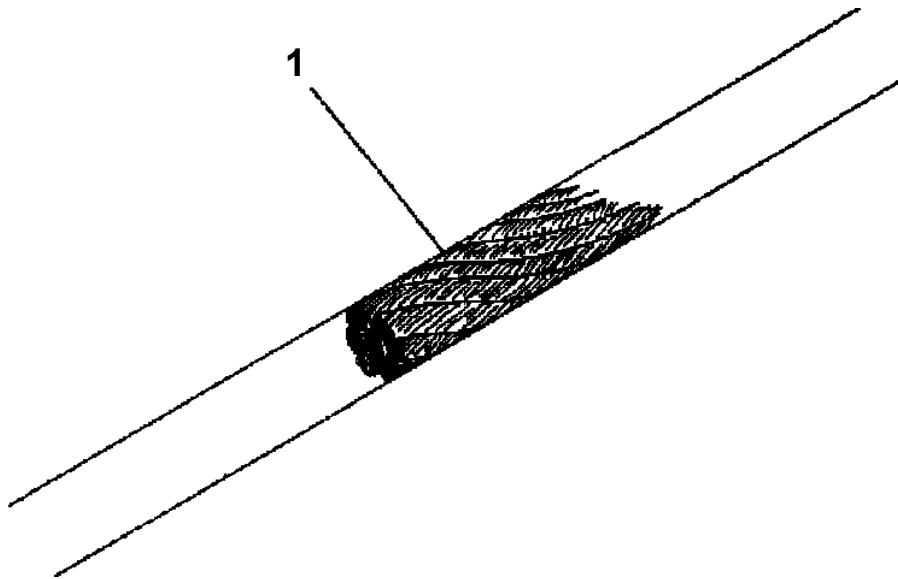
GR-750-2-00103 5 BOOM + 2 JIB, 2M2D

Pos No.	Parts No	Parts Name	Qty	Unit	Technical Data	Serial No (Start)	Serial No (End)	Remarks
1	34930941310	SUPPORT	1				547635	
	34930941350	SUPPORT	1			547636		
3	80192486012	SCREW,MACHINE	8		M6X12			
7	34930346200	BOX ASSY (FUSE)	1					
8	34930661200	BOX ASSY (FUSE)	1					
9	80192486016	SCREW,MACHINE	2		M6X16			
10	34931031310	BOX ASSY (FUSE)	1					
11	34930400200	RELAY (FOR HEAD LAMP)	1					
12	82100002596	RELAY	2					
15	82100001989	TERMINAL	1					
16	80192483016	SCREW,MACHINE	2		M3X16			
19	34350032400	PLATE	1					
20	82100001404	TERMINAL	4					
21	82100001219	INSULATOR	4					
23	82100000638	DIODE	2					
24	82400000311	GROMMET	1		L=1000			
28	82111207051	TERMINAL (MAIL)	4					
29	82114214061	CONNECTOR (CAP)	1					
51	34351562510	BOX,FUSE	2					
53	82100001837	FUSE	18		5A			
54	82100001839	FUSE	7		10A.RED			
55	82100001840	FUSE	9		15A,BLUE			
71	34430255710	BOX,FUSE	1					
80	82100001843	FUSE	2		30A.GREEN			
100	34931272100	RELAY ASSY	1					

GR-750-2-00103 5 BOOM + 2 JIB, 2M2D
PR5090042-00 RELAY ASSY (COUNTERWEIGHT DETECTION)

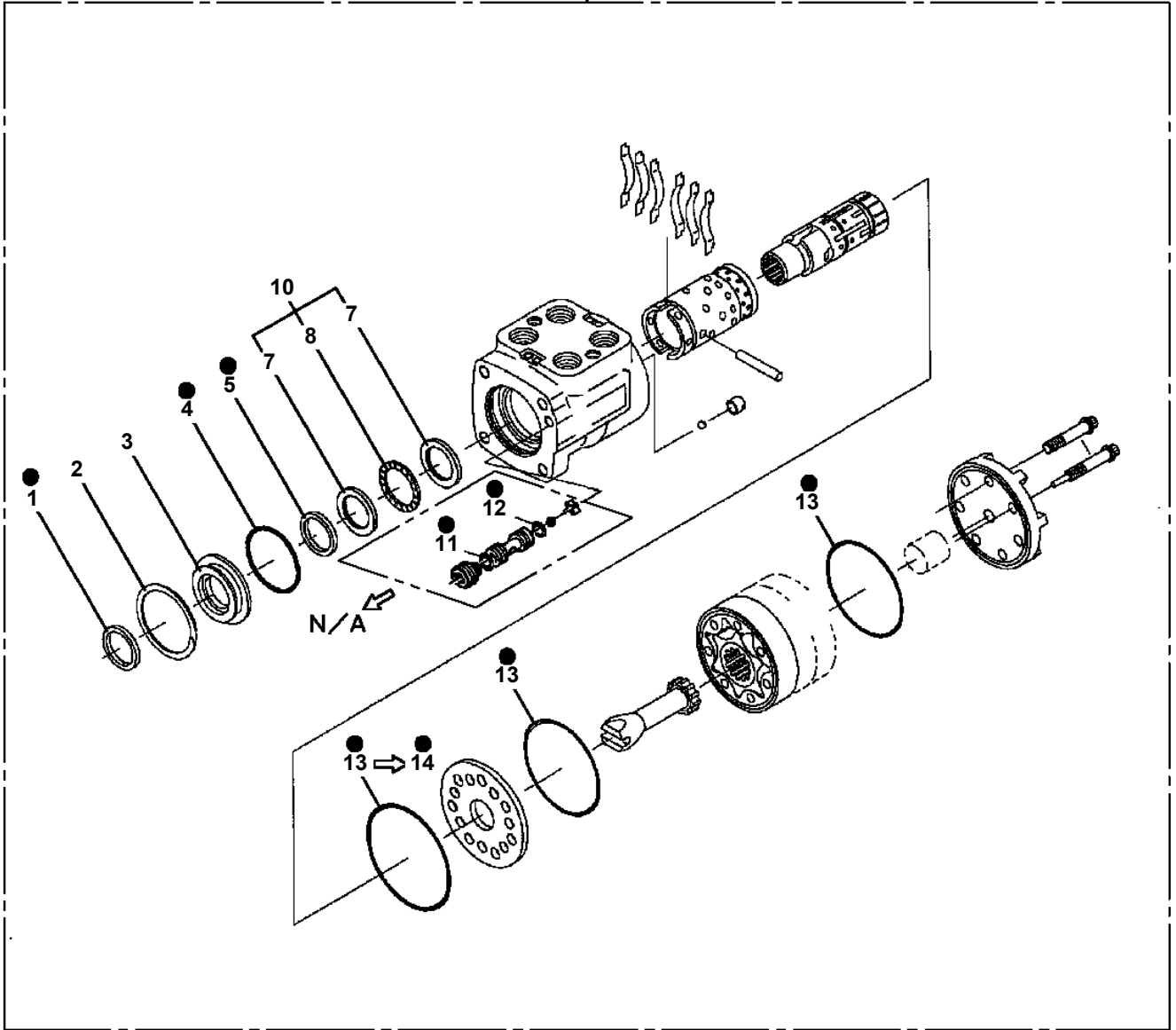


GR-750-2-00103 5 BOOM + 2 JIB, 2M2D
PR5170002-00 ROPE,WIRE (KISWIRE)



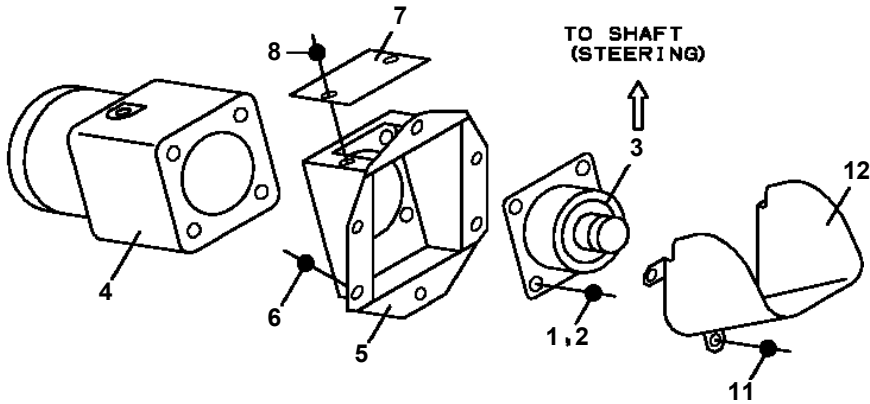
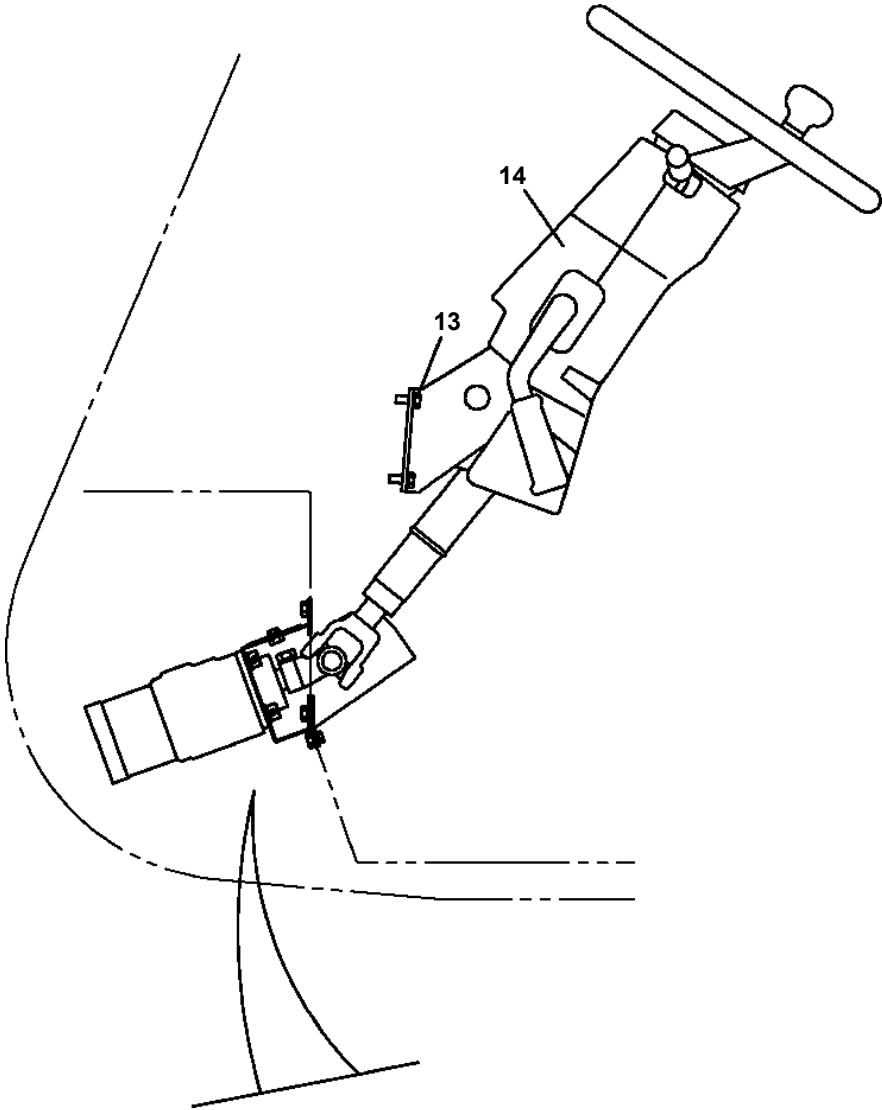
**GR-750-2-00103 5 BOOM + 2 JIB, 2M2D
PS1340002-02 ORBITROL**

20

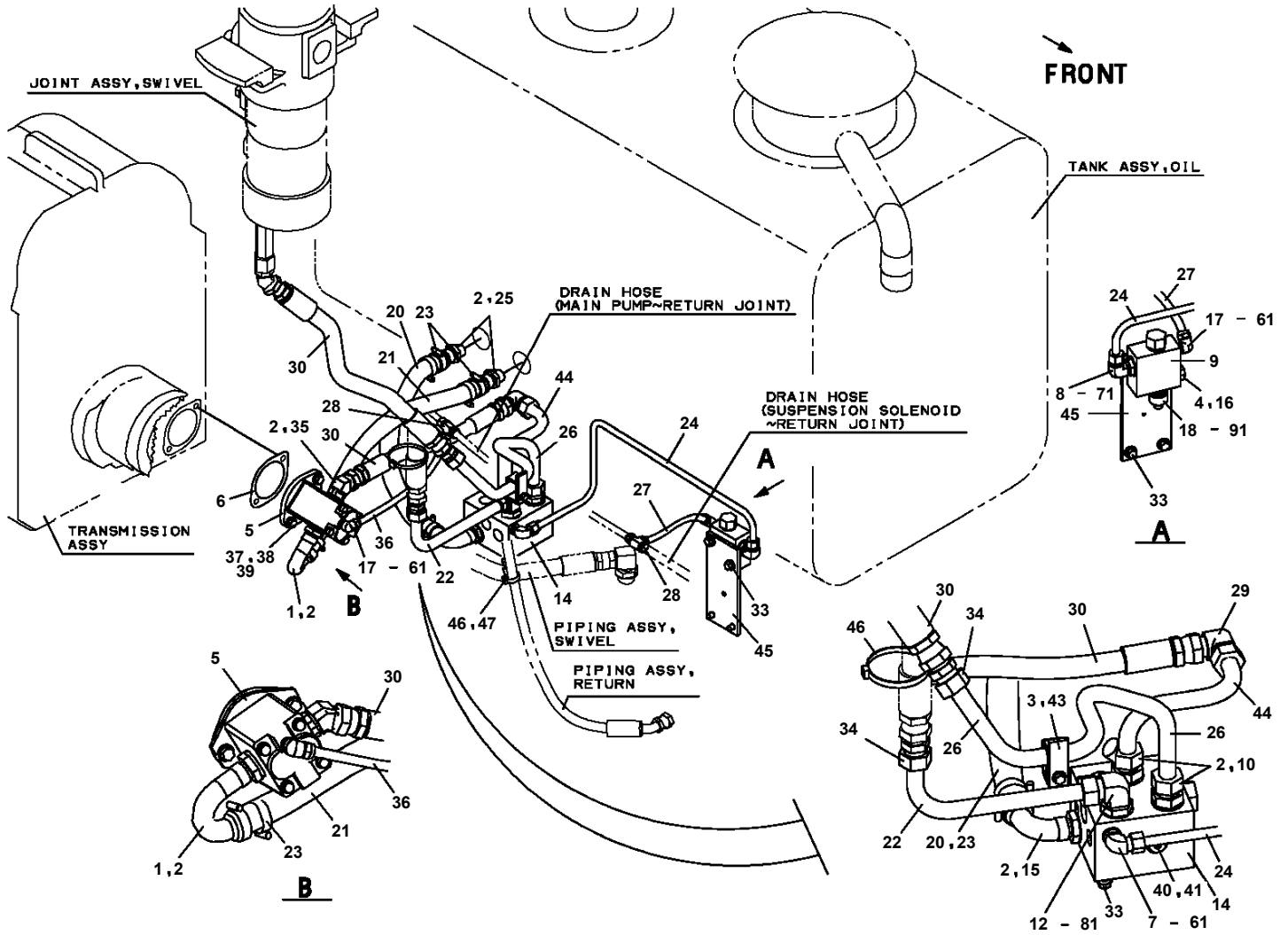


- :SEAL KIT KEY NO. 15 (KEY NO.1,4,5,11,12,13)
- ⇓
- :SEAL KIT KEY NO. 16 (KEY NO.1,4,5,13,14)

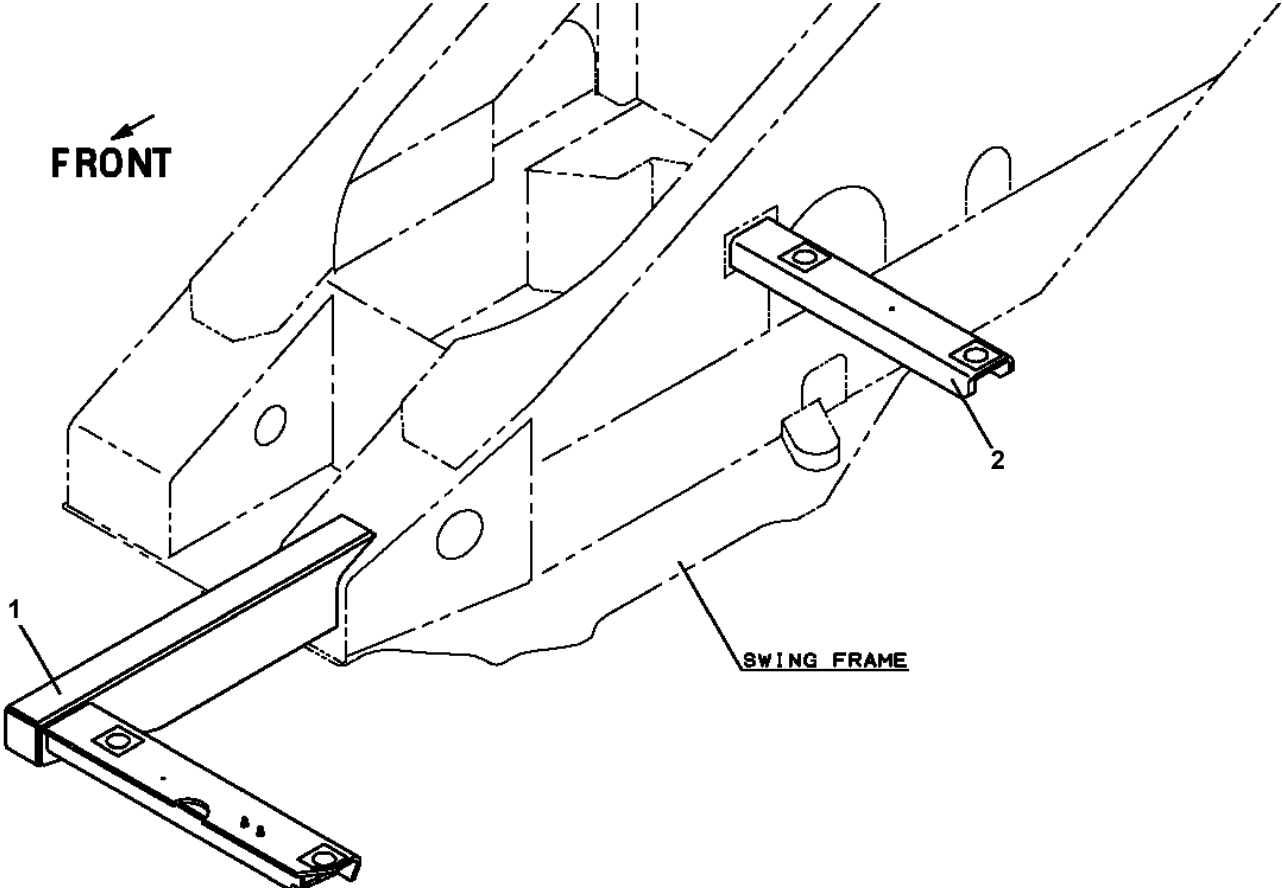
**GR-750-2-00103 5 BOOM + 2 JIB, 2M2D
PS5340004-02 STEERING ASSY (CAB)**



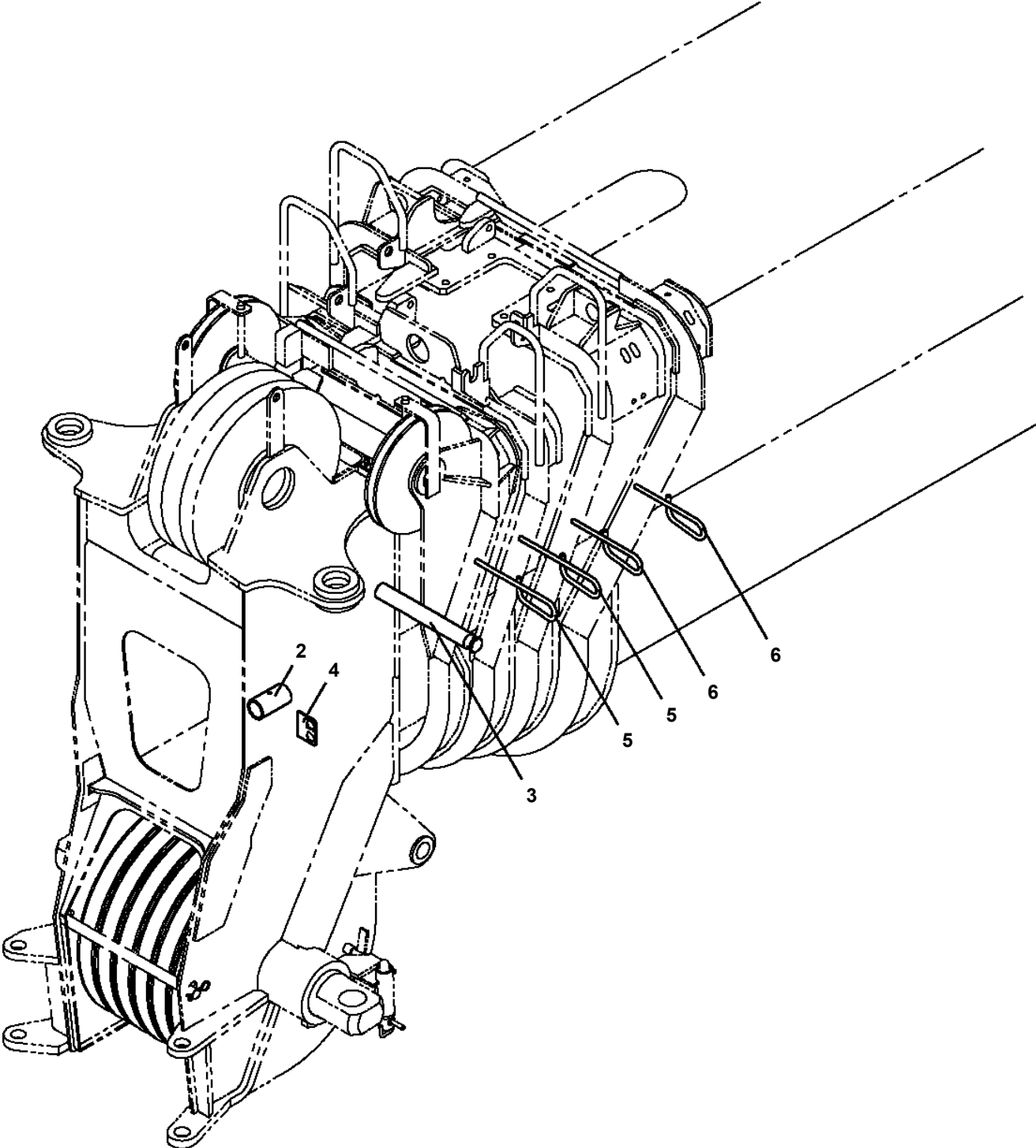
GR-750-2-00103 5 BOOM + 2 JIB, 2M2D
PS5340022-01 STEERING ASSY (WITH LOW PRESSURE ALARM)



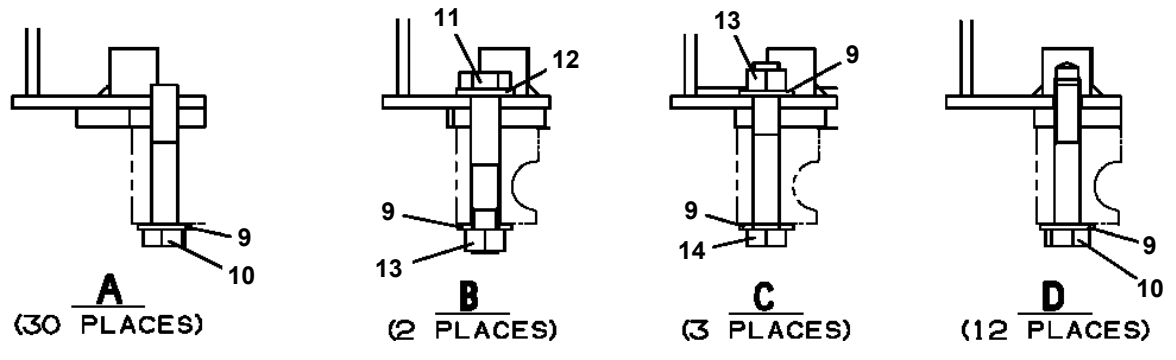
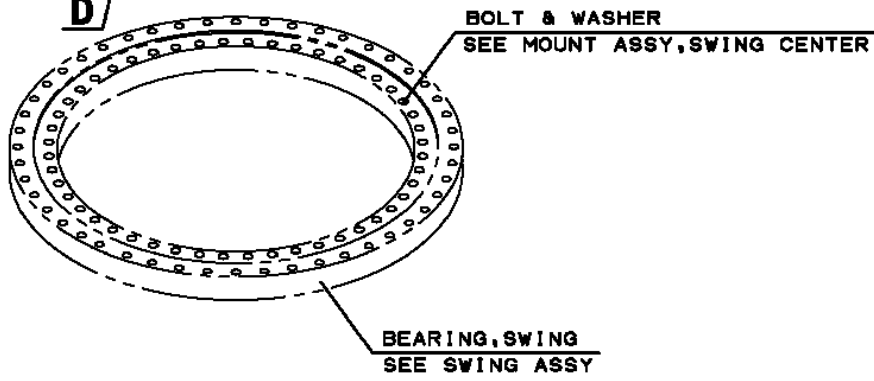
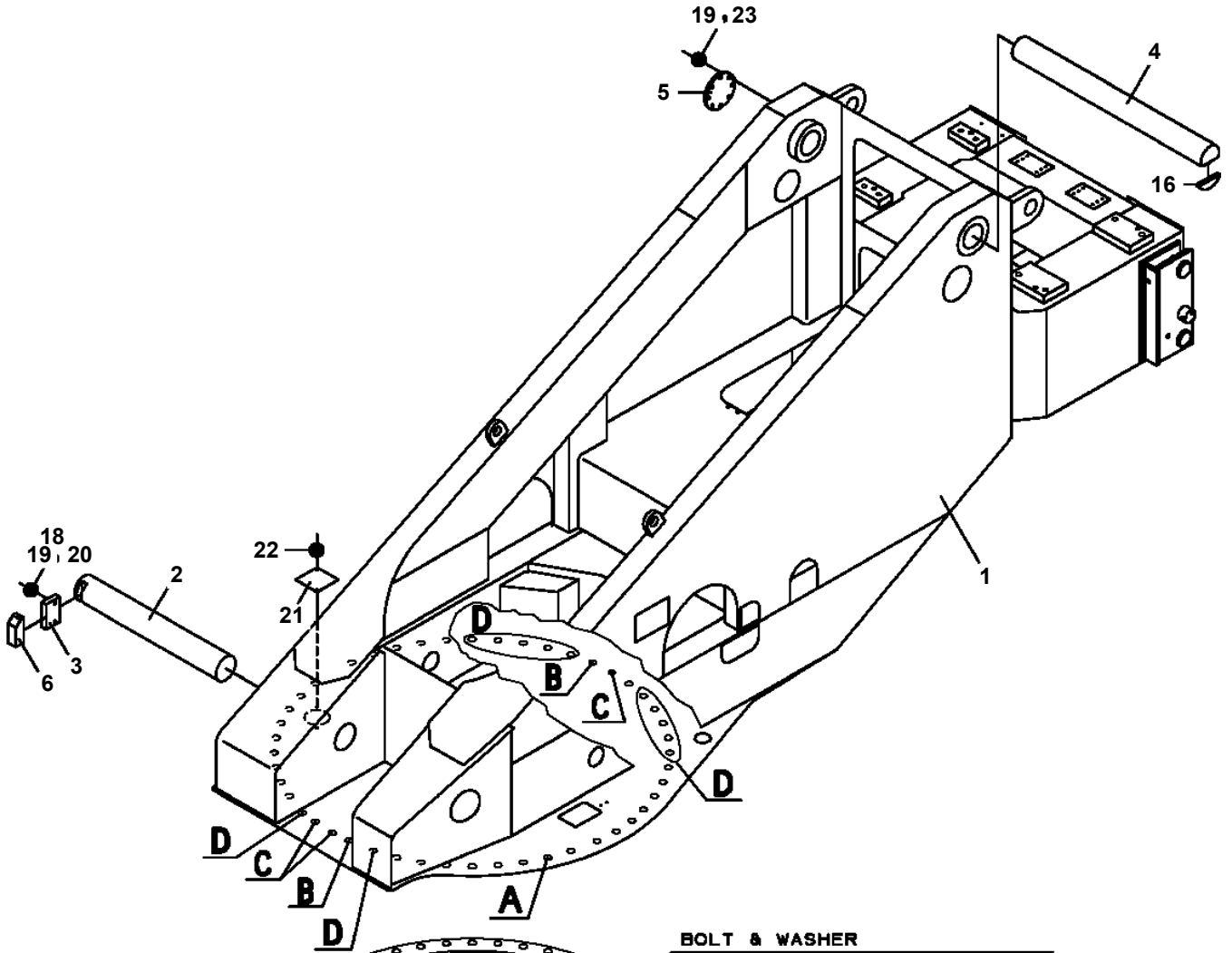
GR-750-2-00103 5 BOOM + 2 JIB, 2M2D
PS5420049-00 SUPPORT ASSY (CAB)



GR-750-2-00103 5 BOOM + 2 JIB, 2M2D
PS5420285-00 SUPPORT ASSY (BOOM)



GR-750-2-00103 5 BOOM + 2 JIB, 2M2D
PS5510007-01 SWING FRAME ASSY



GR-750-2-00103 5 BOOM + 2 JIB, 2M2D

Pos No.	Parts No	Parts Name	Qty	Unit	Technical Data	Serial No (Start)	Serial No (End)	Remarks	Pages
1	82108501280	SWITCH	2		FL7M506N-901				
3	90280200600	NUT,FLANGE	9		M6				
4	37000604250	CLAMP	9						

GR-750-2-00103 5 BOOM + 2 JIB, 2M2D

Pos No.	Parts No	Parts Name	Qty	Unit	Technical Data	Serial No (Start)	Serial No (End)	Remarks	Pages
5	34510703250	PACKING	1						
6	34510703260	PACKING	1						
100	34510703200	SUPPORT	1						

GR-750-2-00103 5 BOOM + 2 JIB, 2M2D

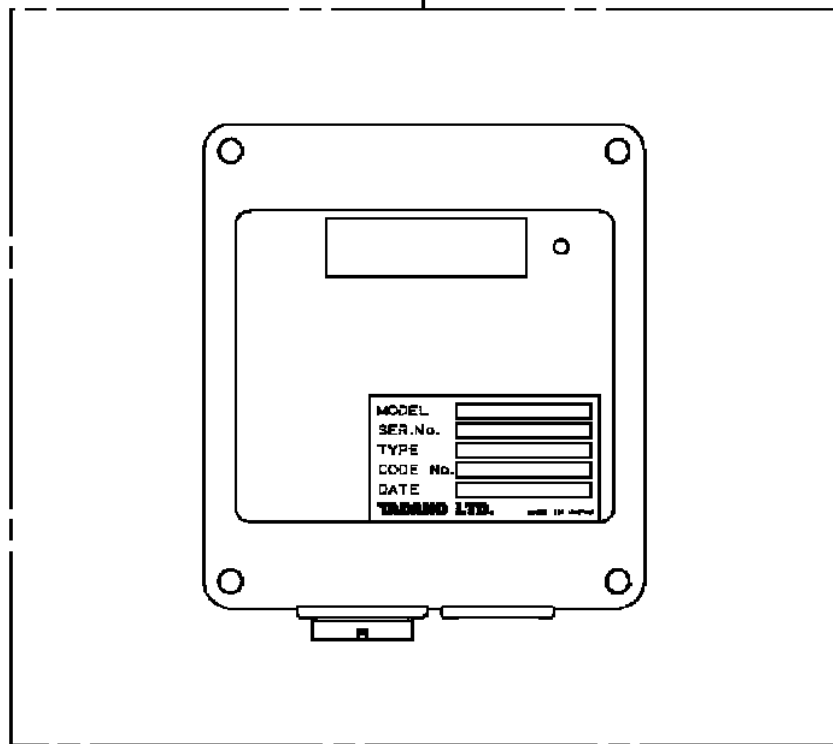
Pos No.	Parts No	Parts Name	Qty	Unit	Technical Data	Serial No (Start)	Serial No (End)	Remarks	Page
5	36101800041	CAP	1						
6	36101945060	RING (SLIDE)	1						
7	36101945070	COVER (RING)	1						
8	34921317510	DIAPHRAGM	1						
9	34921317530	BRACKET	1						
50	34921313000	TANK,BRAKE FLUID	1						

GR-750-2-00103 5 BOOM + 2 JIB, 2M2D

Pos No.	Parts No	Parts Name	Qty	Unit	Technical Data	Serial No (Start)	Serial No (End)	Remarks
1	33660000211	GAUGE,OIL	1					
3	34660100030	COVER	1					
4	34660180040	PACKING	1		T=2.0			
5	36672870000	BREATHER ASSY (OBR-30)	1					
6	34660520030	COVER	1					
7	80205001000	PLUG	2		PT1			
8	99163010016	BOLT (M10X16)	8					
9	99164010020	BOLT (M10X20)	8					
10	91001226000	O-RING	2		1A G260			
11	36673360000	FILTER,OIL	1				549654	
	36673700000	FILTER ASSY	1			549655		
12	34660010061	COVER	1					
13	80316070100	PLUG	2		G3/4			
14	91002802400	O-RING	2		1B P24			
15	99164008020	BOLT (M8X20)	8					
22	33660007511	ELEMENT	1					
24	33660007520	PACKING SET	1					
27	36672875040	KEY	2					
41	33660007530	BOLT	2					
42	34660131140	PACKING	4					
100	34660520000	TANK ASSY,OIL	1					

GR-750-2-00103 5 BOOM + 2 JIB, 2M2D
PT5670001-00 TRANSMITTER ASSY,SIGNAL (LOWER)

10



GR-750-2-00103 5 BOOM + 2 JIB, 2M2D

Pos No.	Parts No	Parts Name	Qty	Unit	Technical Data	Serial No (Start)	Serial No (End)	Rem
3	36610245010	SPRING	1					
4	36610715010	PLUG	1					
5	36610715020	PLUG	1					
6	91002802000	O-RING	2		1B P20			
7	36611615010	RELIEF ASSY	1					
10	36611785010	O-RING	1					
100	36611780000	VALVE ASSY,FLOW CONTROL	1					

GR-750-2-00103 5 BOOM + 2 JIB, 2M2D

Pos No.	Parts No	Parts Name	Qty	Unit	Technical Data	Serial No (Start)	Serial No (End)	Remarks
1	36646085031	SOLENOID	1					
100	36740705010	VALVE ASSY,SOLENOID	1					

GR-750-2-00103 5 BOOM + 2 JIB, 2M2D

Pos No.	Parts No	Parts Name	Qty	Unit	Technical Data	Serial No (Start)	Serial No (End)
1	37003901690	WHEEL,TIRE (TITAN STEEL WHEELS,25.00X25)	4				
2	37003804950	TIRE (YOKOHAMA)	4				
11	34397020100	PLATE,NAME (INSTALLED TIRES AT TIME OF)	1				

GR-750-2-00103 5 BOOM + 2 JIB, 2M2D

Pos No.	Parts No	Parts Name	Qty	Unit	Technical Data	Serial No (Start)	Serial
1	37003901620	WHEEL,TIRE (TOPY,MADE IN WI)	4				
2	37003804950	TIRE (YOKOHAMA)	4				
21	34397020100	PLATE,NAME (INSTALLED TIRES AT TIME OF)	1				

GR-750-2-00103 5 BOOM + 2 JIB, 2M2D

Pos No.	Parts No	Parts Name	Qty	Unit	Technical Data	Serial No (Start)	Serial No (End)
1	37003901690	WHEEL,TIRE (TITAN STEEL WHEELS,25.00X25)	4				
2	37003805110	TIRE (HUNG-A)	4				
21	34397020100	PLATE,NAME (INSTALLED TIRES AT TIME OF)	1				

GR-750-2-00103 5 BOOM + 2 JIB, 2M2D

Pos No.	Parts No	Parts Name	Qty	Unit	Technical Data	Serial No (Start)	Serial No (End)
1	34721421100	WHEEL,STEERING	1				
2	34721722101	COVER	1				
3	34721422201	COVER	1				
4	82100002051	CLAMP	1		WS-A55		
5	80182306010	SCREW,MACHINE	3		M6X10		
6	90302040601	WASHER,SPRING	3		6		
7	82100002039	CLAMP	2				
8	90209201200	NUT	1		M12		
9	90302041201	WASHER,SPRING	1		12		
10	90303071201	WASHER,PLAIN	1		12		
11	34722101500	SHAFT (STEERING)	1				
13	90302040501	WASHER,SPRING	4		5		
14	90131505020	BOLT,HEXAGON SOCKET	4		M5X20		
15	90303070501	WASHER,PLAIN	4		5		
16	34720912600	SHIM	1				
18	90201200500	NUT	4		M5		
19	34720911200	SWITCH ASSY (COMBINATION)	1				
20	90982050145	SCREW,TAPPING	6				
21	80192488016	SCREW,MACHINE	1		M8X16		
22	80192486014	SCREW,MACHINE (WITH WASHER)	2		M6X14		

GR-750-2-00103 5 BOOM + 2 JIB, 2M2D

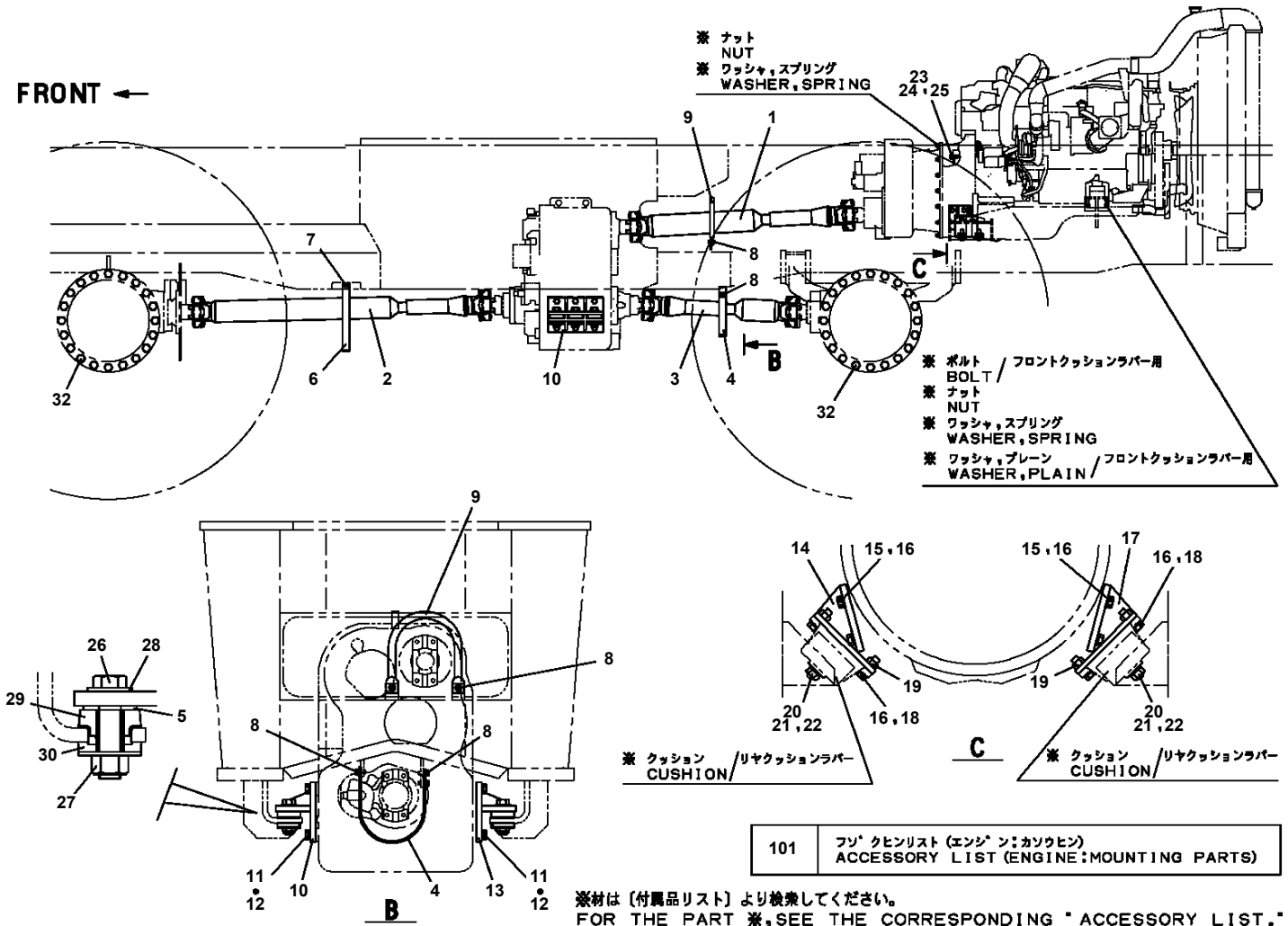
Pos No.	Parts No	Parts Name	Qty	Unit	Technical Data	Serial No (Start)	Serial No (End)	Remarks	Pages
1	37001112780	ROLLER ASSY	1						
2	37000174600	PIN	1						
3	37000301410	SPACER	2		L=3				
4	37000509960	PLATE	1						
5	90171110020	BOLT	4		M10X20				
6	90302041001	WASHER,SPRING	4		10				
7	34444490400	SUPPORT	1						
8	90186210014	BOLT,FLANGE	2		M10X14				
9	34444490500	SUPPORT	1						
10	34444490600	SUPPORT	1						
11	90101208030	BOLT	2		M8X30				
12	90201200800	NUT	2		M8				
13	90302040801	WASHER,SPRING	2		8				
32	80516006206	BEARING,BALL	2						

GR-750-2-00103 5 BOOM + 2 JIB, 2M2D

Pos No.	Parts No	Parts Name	Qty	Unit	Technical Data	Serial No (Start)	Serial No (End)	Remarks	Pages
1	90102210060	BOLT	2		M10X60				
2	34800151600	SUPPORT	1						
3	90280201000	NUT,FLANGE	10		M10				

**GR-750-2-00103 5 BOOM + 2 JIB, 2M2D
PX5560026-00 MOUNT ASSY,POWER TRAIN**

FRONT ←

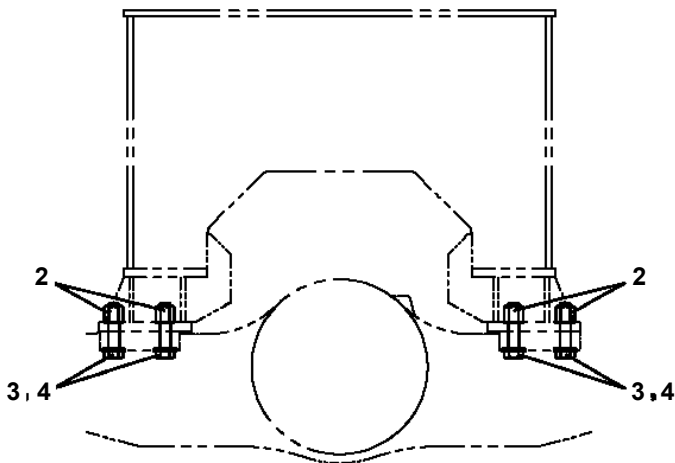
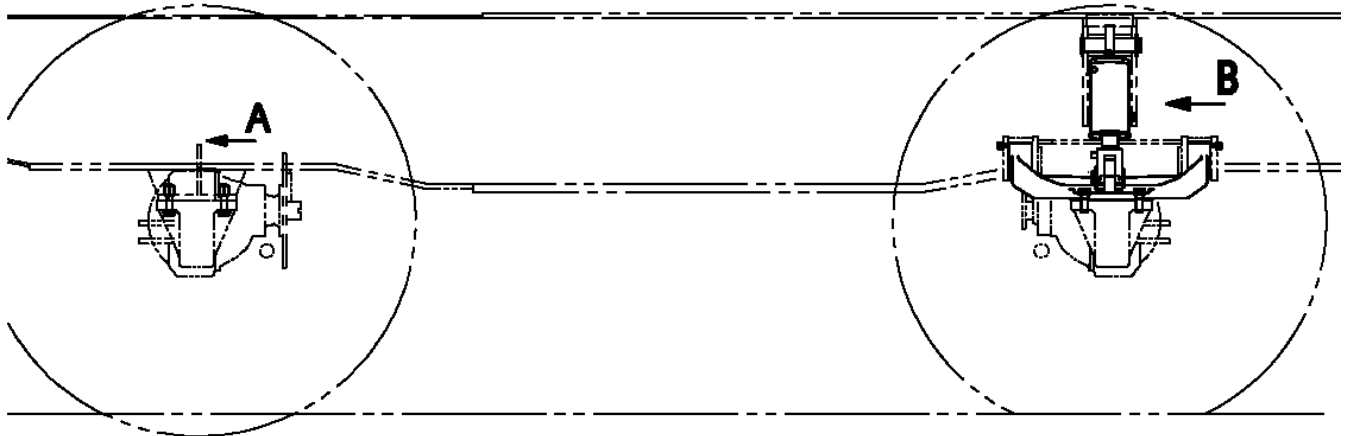


GR-750-2-00103 5 BOOM + 2 JIB, 2M2D

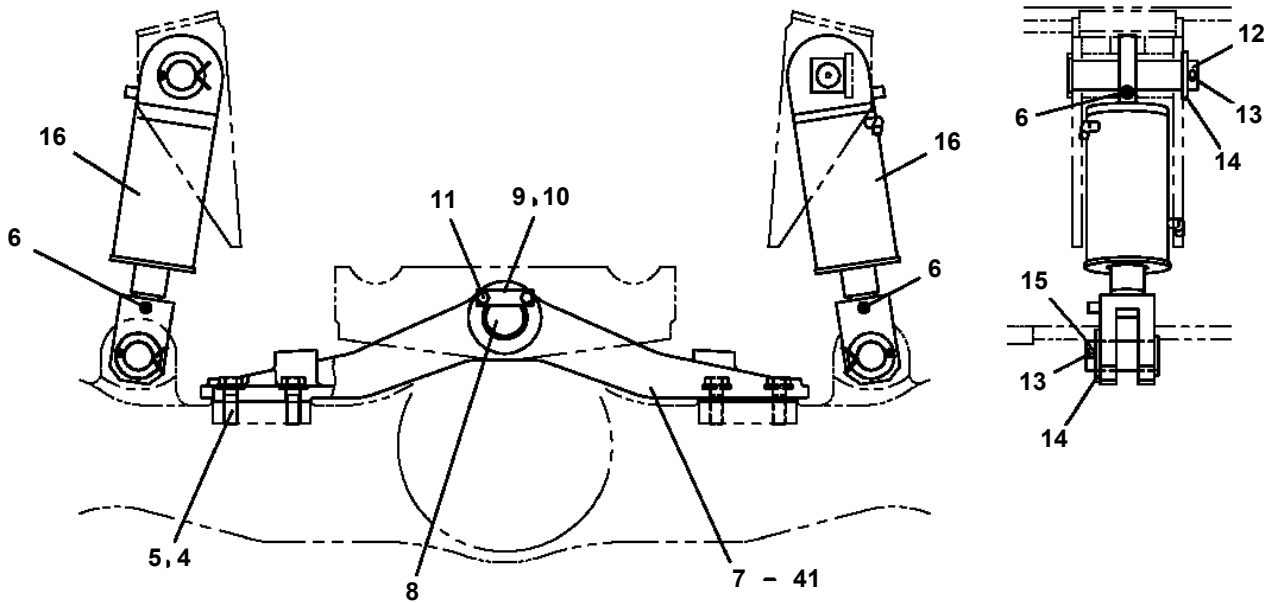
Pos No.	Parts No	Parts Name	Qty	Unit	Technical Data	Serial No (Start)	Serial No (E
1	91803600800	CLIP	2		D=60-80		
2	34782210100	INSULATOR	1				
3	34782210200	INSULATOR	1				
5	34782210300	INSULATOR	1				
6	36690370000	COOLER ASSY,OIL (ASSY ONLY)	1				
7	91803600900	CLIP	3		D=70-90		
8	82100002008	CLAMP	5		WR12		
9	90103210020	BOLT	2		M10X20		
10	90280200600	NUT,FLANGE	19		M6	547636	
11	37002515640	HOSE	1		L=1700		
12	37002515610	HOSE	1		L=970		
13	91803880070	CLIP	3		D=13.1-16.2		
14	90186208014	BOLT,FLANGE	10		M8X14		
15	36690390000	COOLER ASSY,OIL	1				
16	34782210400	SUPPORT	2				
17	37002516880	HOSE	1		L=507		
18	37002514910	HOSE (RADIATOR)	1				
19	34781750100	PLATE	2		T=4.5		
20	34782600200	SUPPORT	1			547636	
21	36101920000	TANK,RESERVOR	1				
22	34780681800	CLAMP	1				
23	90201200600	NUT	8		M6	547636	
24	90186210020	BOLT,FLANGE	4		M10X20		
25	34781810400	SUPPORT	1				
26	34781810500	SUPPORT	1				
27	34780130300	CUSHION	6				
28	90303071001	WASHER,PLAIN	14		10		
29	90101210030	BOLT	4		M10X30		
30	90302041001	WASHER,SPRING	14		10		
31	90201201000	NUT	10		M10		
32	90280201000	NUT,FLANGE	4		M10		
34	34782280400	SUPPORT	2				
35	37000535710	PLATE	2		50XT3.2		
36	90101208020	BOLT	12		M8X20		
37	90302040801	WASHER,SPRING	12		8		
38	90303070801	WASHER,PLAIN	4		8		
40	90201200800	NUT	4		M8	547636	
42	37000931470	JOINT	1		R1/2-13		
43	34781951002	FILTER ASSY (WATER)	1				
44	90101206055	BOLT	2		M6X55		
45	90302040601	WASHER,SPRING	2		6		
46	90303070601	WASHER,PLAIN	2		6		
47	37000931450	JOINT	1		L,R1/2-17		
48	37002515550	HOSE	1		L=950 TO 700		
49	37002512430	HOSE	1		L=4850		
50	37002500400	HOSE	1		L=4000 TO 4050		
51	91801630022	CLIP	5		D=19.9-22.6		
52	91801630024	CLIP	3		22.6-26.0		
53	37000929050	JOINT	1		S R3/8-13		
54	82100002016	CLAMP	13		WR25	547636	
55	82100002014	CLAMP	14		WR20	547636	
56	90280200800	NUT,FLANGE	15		M8	547636	
57	91810160010	HOLDER	5				
58	91810130290	FASTENER	12		L=470		
59	82100001412	TUBE,SPIRAL	1	M	SE-12BK		
101	34781213100	SUPPORT	1				
102	34781213200	SUPPORT	1				
103	34782213100	SUPPORT	1				
104	90101508025	BOLT	6		M8X25		
105	90302040801	WASHER,SPRING	8		8		
106	90101210030	BOLT	3		M10X30		
107	90302041001	WASHER,SPRING	7		10		
108	90303071001	WASHER,PLAIN	6		10		

GR-750-2-00103 5 BOOM + 2 JIB, 2M2D
PX5700002-01 MOUNT ASSY,SUSPENSION

FRONT ←



A



B

GR-750-2-00103 5 BOOM + 2 JIB, 2M2D

Pos No.	Parts No	Parts Name	Qty	Unit	Technical Data	Serial No (Start)	Serial No (End)	Remarks
1	36320565150	MOTOR (ACTUATER)	3					
2	36320565160	VALVE (EXPANSION)	1					
3	36320565170	THERMISTOR	1					
4	36320455410	CLAMP	2					
5	36320455380	HOLDER	2					
6	36320565180	HOLDER (SENSOR)	2					
7	36320565190	CLAMP	1					
8	36320565200	EVAPORATOR	1					
9	36320565210	CASE (FRONT)	1					
10	36320565220	CASE (REAR)	1					
11	36320565230	CASE (BOTTOM)	1					
12	36320565240	INSULATOR	1					
13	36320565250	INSULATOR	1					
14	36320565260	PACKING	1					
15	36320565270	PACKING	1					
16	36320565280	PACKING	1					
17	36320565290	BRACKET	1					
18	36320565300	CLAMP	1					
19	36320565310	PLATE	1					
20	36320565320	LEVER	2					
21	36320565330	LEVER	1					
22	36320565340	LEVER	1					
23	36320565350	LEVER	3					
24	36320565360	LEVER	3					
25	36320565370	CAM	1					
26	36320565380	ROD	1					
27	36320565390	ROD	1					
28	36320565400	ROD	1					
29	36320565410	DAMPER	1					
30	36320565420	DAMPER	1					
31	36320565430	DAMPER	1					
32	36320565440	DAMPER	1					
33	36320565450	DAMPER	1					
34	36320565460	DAMPER	1					
35	36320565470	CORE (HEATER)	1					
36	36320565480	AMPLIFIER	1					
37	36320565490	RELAY	4					
38	36320565500	CLAMP	1					
39	36320565510	BAND	1					
40	36320565520	CAP	1					
41	36320565530	HARNESS	1					
42	36320565540	CONTROLLER (BLOWER)	1					
43	36320565550	CASE	1					
44	36320565560	CASE (BLOWER)	1					
45	36320565570	BRACKET	2					
46	36320565580	HOSE	1					
47	36320565590	MOTOR (BLOWER)	1					
48	36320565600	CASE (INTAKE R)	1					
49	36320565610	CASE (INTAKE L)	1					
50	36320565620	FILTER	1					
51	36320565630	LEVER	1					
52	36320565640	LEVER	1					
53	36320565650	DAMPER	1					
54	36320562220	PLATE (FLANGE)	1					
55	36320565660	BRACKET	1					
56	36320562240	HOSE (DRAIN)	2		L=200			
57	36320565670	GASKET	1					
58	36320565680	O-RING	1					
59	36320565690	O-RING	1					
60	90918040145	SCREW,TAPPING	6		M4X14			
61	90918050145	SCREW,TAPPING	13		M5X14			
62	36320565700	SCREW,MACHINE	30					
63	36320565710	SCREW,MACHINE	3					

CLICK HERE TO **DOWNLOAD** THE COMPLETE MANUAL

- Thank you very much for reading the preview of the manual.
- You can download the complete manual from: www.heydownloads.com by clicking the link below



- Please note: If there is no response to CLICKING the link, please download this PDF first and then click on it.

CLICK HERE TO **DOWNLOAD** THE COMPLETE MANUAL