

GR-700E-4-00101 5 BOOM + 2 JIB, 2M2D

PB5000064-00 HYDRAULIC PRESSURE SYSTEM
PB6000175-00 PIPING SYSTEM (UPPER)
PB6000176-00 PIPING SYSTEM (LOWER)
PC1000717-00 OUTRIGGER SYSTEM
PD1000691-00 SWING SYSTEM
PF1000820-00 WINCH SYSTEM
PG3000082-00 JIB SYSTEM
PG5000090-00 BOOM SYSTEM
PH5000091-00 SAFETY SYSTEM
PK1000896-00 FRAME
PK5000087-00 CAB SYSTEM
PM1000032-01 LUBRICATION DEVICES
PN1000830-00 ELECTRIC EQUIPMENT
PO1000150-00 INDICATION PLATES
PR5000104-00 DRIVING POWER SYSTEM
PS5000058-00 STEERING & SUSPENSION
PW1000097-02 ACCESSORIES & TOOLS
PX1001397-00 MOUNTING PARTS
PY1001978-00 OPTION UNIT,1
ASSEMBLY

CLICK HERE TO **DOWNLOAD** THE COMPLETE MANUAL

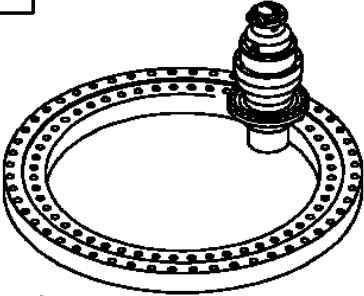
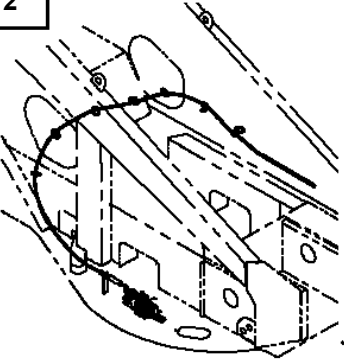
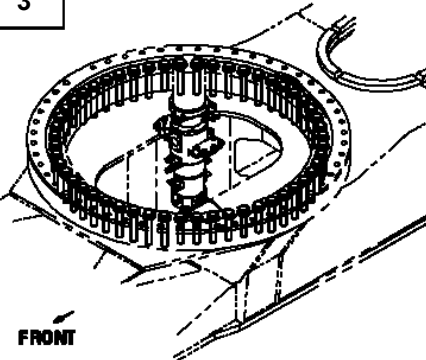
- Thank you very much for reading the preview of the manual.
- You can download the complete manual from: www.heydownloads.com by clicking the link below



- Please note: If there is no response to CLICKING the link, please download this PDF first and then click on it.

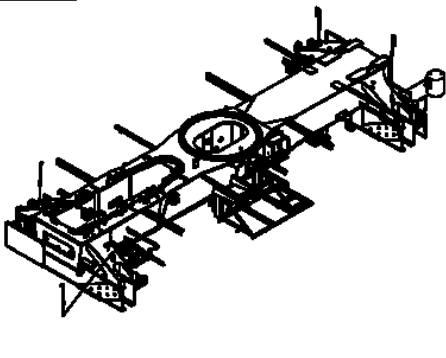
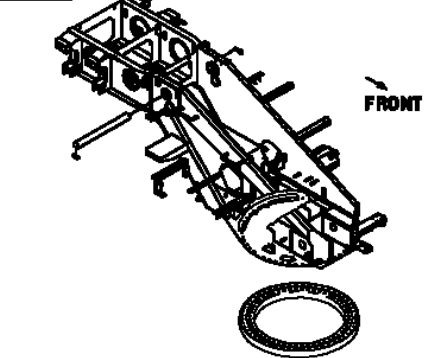
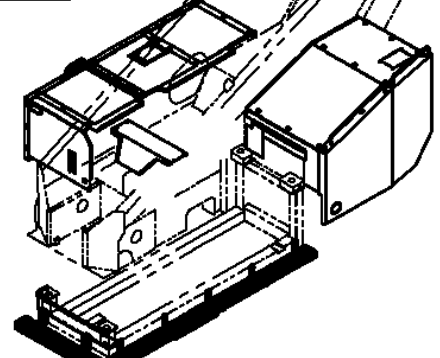
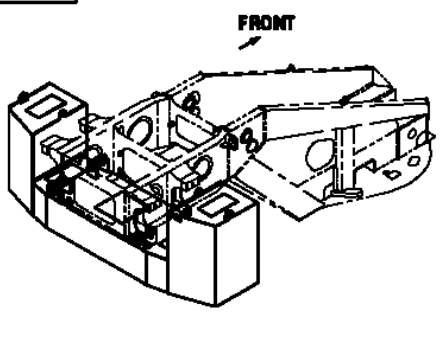
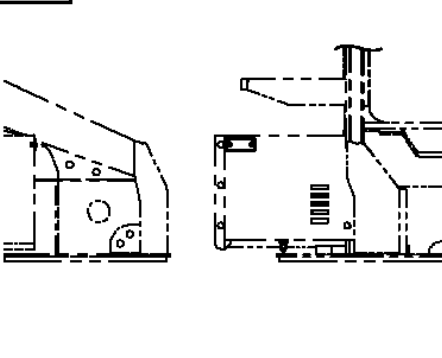

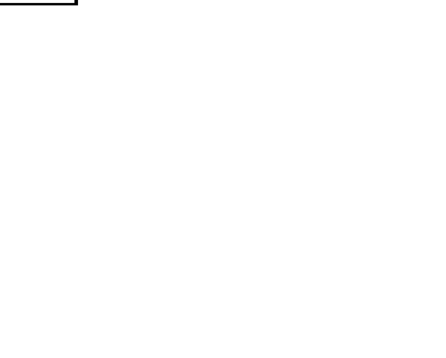
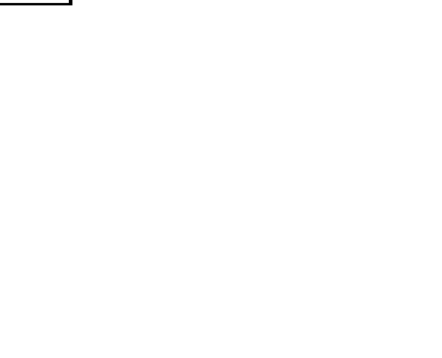
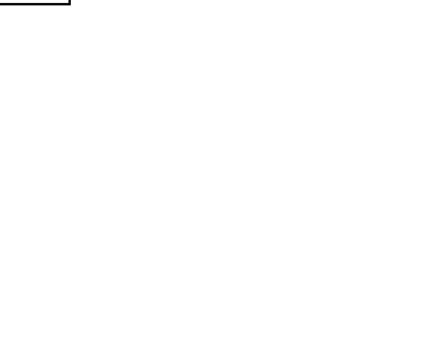



CLICK HERE TO **DOWNLOAD** THE COMPLETE MANUAL

GR-700E-4-00101 5 BOOM + 2 JIB, 2M2D
PD1000691-00 SWING SYSTEM

<p>1</p>  <p>FRONT</p>	<p>2</p>  <p>FRONT</p>	<p>3</p>  <p>FRONT</p>

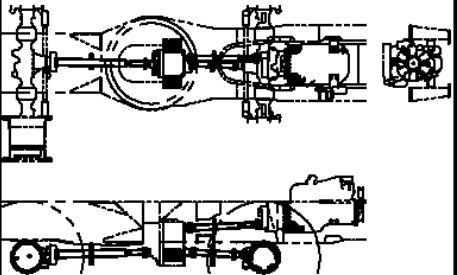
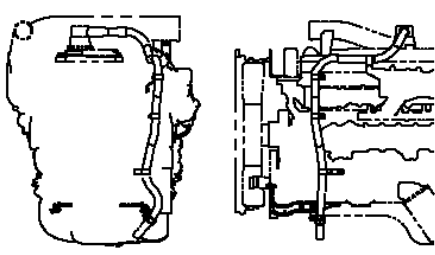
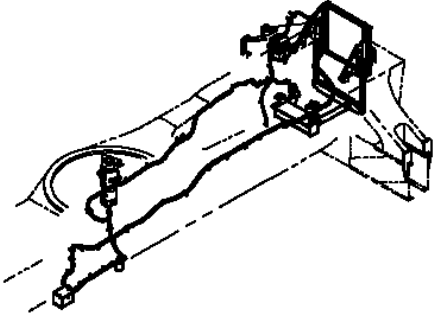
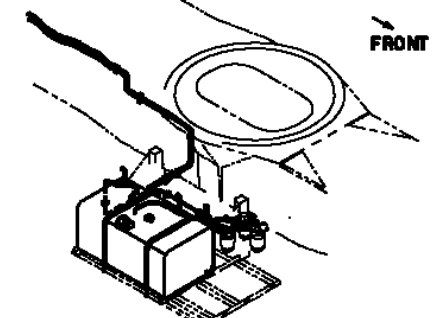
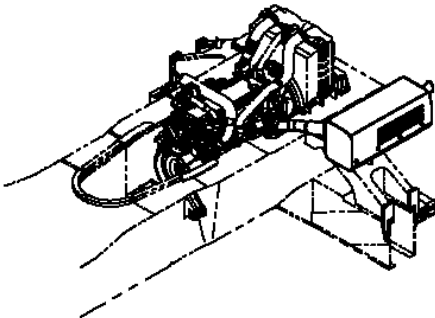
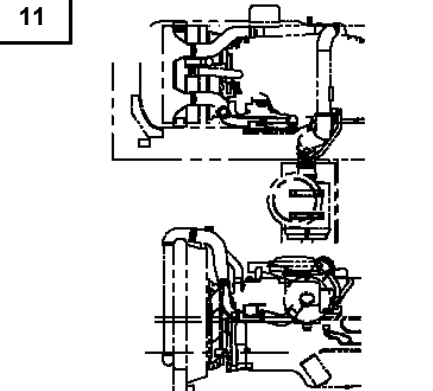
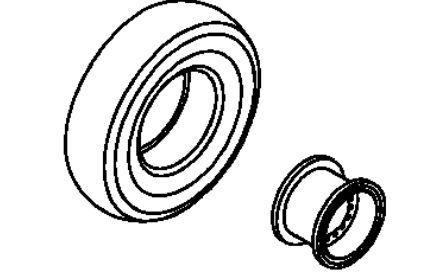
適用製造番号によっては取り付けがないものもあります。
MACHINES OF SOME SERIAL NO. ARE NOT EQUIPPED WITH THESE PARTS.

**GR-700E-4-00101 5 BOOM + 2 JIB, 2M2D
PK1000896-00 FRAME**

<p>1</p> 	<p>2</p> 	<p>3</p> 
<p>4</p> 	<p>5</p> 	
		
		

適用製造番号によっては取り付けがないものもあります。
MACHINES OF SOME SERIAL NO. ARE NOT EQUIPPED WITH THESE PARTS.

GR-700E-4-00101 5 BOOM + 2 JIB, 2M2D
 PR5000104-00 DRIVING POWER SYSTEM

<p>1</p> <p>エンジンASSY ENGINE ASSY</p>	<p>2</p> <p>トルクコンバータASSY TORQUE CONVERTER ASSY</p>	<p>3</p> <p>トランスミッションASSY TRANSMISSION ASSY</p>
<p>4</p> <p>アクスルASSY,フロント AXLE ASSY,FRONT</p>	<p>5</p> <p>アクスルASSY (リヤ/ノースピンツキ) AXLE ASSY (REAR/WITH NO SPIN)</p>	<p>6</p> 
<p>7</p> <p>→ FRONT</p> 	<p>8</p> 	<p>9</p> <p>FRONT</p> 
<p>10</p> 	<p>11</p> 	<p>12</p> 

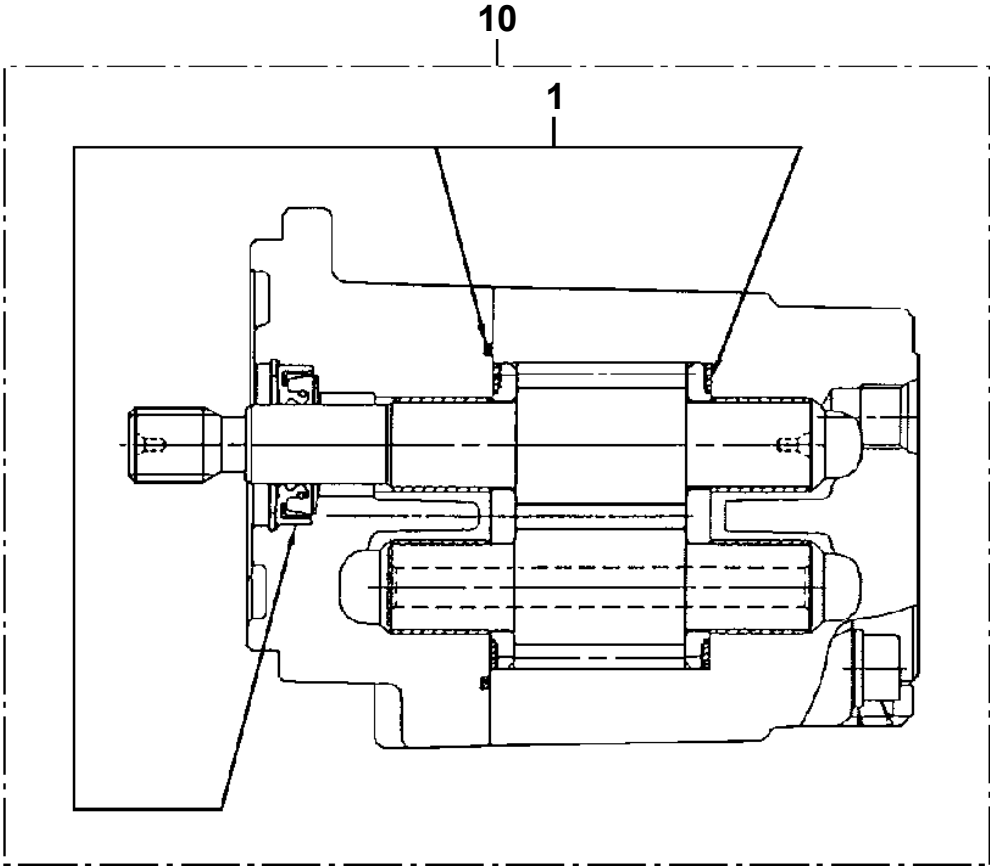
適用製造番号によっては取り付けがないものもあります。

MACHINES OF SOME SERIAL NO. ARE NOT EQUIPPED WITH THESE PARTS.

GR-700E-4-00101 5 BOOM + 2 JIB, 2M2D

Pos No.	Parts No	Parts Name	Qty	Unit	Technical Data	Se
1	(*****)	HOOK ASSY (AUX.)	1			
2	(*****)	HOOK ASSY (MAIN)	1			
3	(*****)	HOOK ASSY (MIDDLE,35 TON/ENGLISH)	1			
4	(*****)	UNWIND CUTOFF ASSY	2			
5	(*****)	STEERING ASSY (EMERGENCY:WITHOUT LOW PRESSURE ALARM)	1			
7	34730290000	INFLATOR,AIR	1			
8	(*****)	ANEMOMETER ASSY	1			
9	(*****)	HEATER ASSY (ENGINE PRE-HEATER)	1			
14	(*****)	LAMP ASSY,LICENSE	1			
15	(*****)	ELEC.ASSY (SEARCHLIGHT)	1			
16	(*****)	OPE.ASSY,OUTRIGGER	1			
17	(*****)	MOUNT ASSY,BEACON LAMP	1			
18	(*****)	MOUNT ASSY,EXTINGUISHER	1			
19	(*****)	EXHAUST ASSY (SPARK ARRESTER)	1			
20	34460904000	TOOLS (WORK)	1			
21	(*****)	ACCESSORIES (MET & WEAR)	1			
22	(*****)	ACCESSORIES ASSY (REAR SIDE OF RADIATORCOVER)	1			
23	(*****)	MODIFICATION ASSY (FOR AML THUNDERBOLT MEASURES)	1			

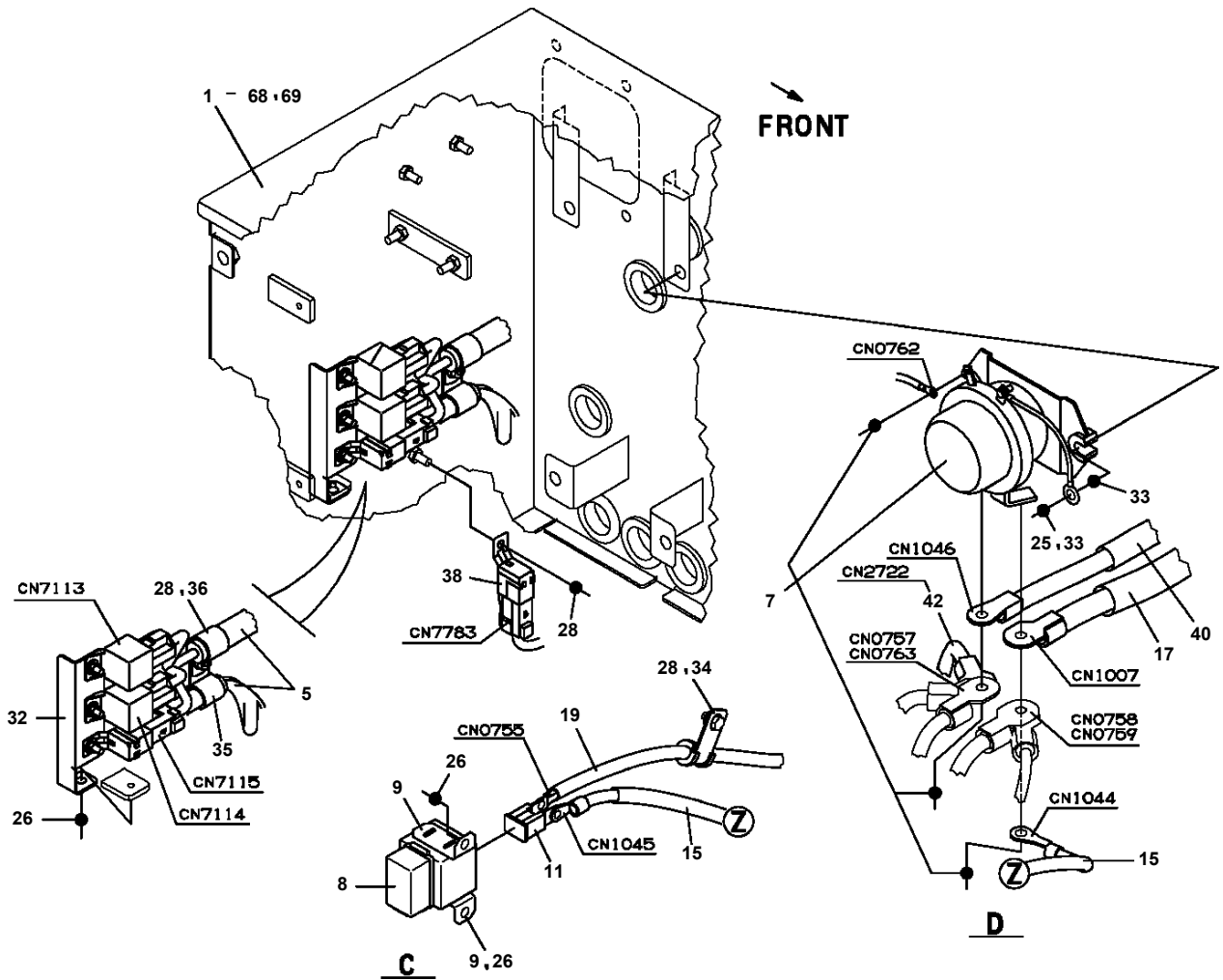
GR-700E-4-00101 5 BOOM + 2 JIB, 2M2D
PB1100175-00 PUMP, HYDRAULIC (EMERGENCY STEERING)



GR-700E-4-00101 5 BOOM + 2 JIB, 2M2D

Pos No.	Parts No	Parts Name	Qty	Unit	Technical Data	Serial No (Start)
1	34203090050	BOOM, TOP	1			
2	37000200590	PIN, SNAP	1			
3	37000315310	SPACER	1		L=96	
4	37001004230	SHEAVE ASSY	2			
5	37000314970	SPACER	1		L=37	
6	37000306450	SPACER	1			
7	37000122240	PIN	1			
8	80561100180	NUT	1		AW18	
9	80562100180	WASHER, TOOTH	1		AW18	
10	37010100910	PIN	1			
12	37000315370	SPACER	1		L=52.5	
13	34202120520	COVER	1			
14	37000181700	PIN	1			
16	37000303340	SPACER	3		L=1.6	
17	901711108012	BOLT	6		M8X12	
18	33200494100	BOLT	1		M20X45	
19	90203202000	NUT	1		M20	
20	37000157110	PIN	2			
21	37000201090	PIN, SNAP	2		20	
22	90171216050	BOLT	2		M16X50	
23	90201781600	NUT	2		M6	
24	37000538540	PLATE	2		T=1.0	
25	90303071601	WASHER, PLAIN	1		16	
26	90303501601	WASHER, PLAIN	N		16	
28	90172108020	BOLT, HEXAGON SOCKET	4		M8X20	
29	34201050050	PLATE	2			
30	90171112020	BOLT	6		M12X20	
31	37000100820	PIN	2		20	
32	37002022380	PLATE, SLIDE	2			
33	37010501850	PLATE	6			
34	37010501860	PLATE	2			
35	37001008720	SHEAVE ASSY	2			
36	34200680601	PIN	2		60X38	
37	90302040801	WASHER, SPRING	4		8	
38	37000309610	SPACER	2		T=0.6	
39	37002019260	PLATE, SLIDE	2			
40	90101208025	BOLT	4		M8X25	
41	90261000800	U-NUT	4		M8	
42	37002004640	PLATE, SLIDE	2		T=15	
43	90172106020	BOLT, HEXAGON SOCKET	2		M6X20	
44	37000577400	PLATE	10		T=1.0	
45	37000577410	PLATE	2		T=0.6	
46	37000309600	SPACER	6		T=1.0	
47	37002020910	PLATE, SLIDE	N		T=19	
48	90303070801	WASHER, PLAIN	2		8	
72	80515006018	BEARING, BALL	4			
81	37001009710	SHEAVE ASSY (QUADRANT POLYPENCO, ASSY ONLY)	5			
	37001009741	SHEAVE ASSY (LICHARZ, ASSY ONLY)	5			
92	80520314912	BEARING, ROLLER	2			
112	(*****)	SUPPORT ASSY	1			

GR-700E-4-00101 5 BOOM + 2 JIB, 2M2D
PB5260197-00 BOX ASSY (BATTERY RELAY)



GR-700E-4-00101 5 BOOM + 2 JIB, 2M2D

Pos No.	Parts No	Parts Name	Qty	Unit	Technical Data	Serial No (Start)	Serial No (End)	Remarks	P
1	(*****)	BOX ASSY (R)	1						00
2	34320901200	COVER	1						
3	34320904300	KNOB	2						
4	34320901401	SHAFT	2						
6	80176404012	SCREW,MACHINE	4		M4X12				
7	90305260401	WASHER	4		4				
8	37012409370	HOSE	1		L=1640				
9	37002510460	HOSE	1		L=15				
10	90186208020	BOLT,FLANGE	3		M8X20				
11	37002443720	HOSE	2		L=880				
12	37012409380	HOSE	2		L=1660				
13	80400160127	JOINT	5						
14	91002801100	O-RING	5		1B P11				
16	37002448530	HOSE	1		L=1680				
17	90203501200	NUT	4		M12				
18	36634920000	VALVE,CONTROL	1						00
19	36672460000	FILTER (NIPPLE TYPE)	1						
64	91002801100	O-RING	1		1B P11				

GR-700E-4-00101 5 BOOM + 2 JIB, 2M2D

Pos No.	Parts No	Parts Name	Qty	Unit	Technical Data	Serial No (Start)	Serial No (End)
1	(*****)	CAB ASSY (STD)	1				
2	(*****)	SWING TABLE ASSY	1				
4	(*****)	OPE.ASSY,CONT.VALVE (ISO/VISUAL)	1				
5	(*****)	ELEC.ASSY (CAB)	1				
7	36172070000	CONTROLLER (DCU2)	1				
8	36199770000	MOMENT LIMITER:AML	1				
9	(*****)	ELEC.ASSY (GSMT)	1				
10	(*****)	NAME PLATE ASSY (CAB/ENGLISH)	1				
11	36173360000	DISPLAY (MFD)	1				
12	36173170000	CONTROLLER (TTC-60)	1				

GR-700E-4-00101 5 BOOM + 2 JIB, 2M2D

Pos No.	Parts No	Parts Name	Qty	Unit	Technical Data	Serial No (Start)	Serial No (End)	Rem
1	36350885310	SHAFT ASSY	1					
2	36370305780	RING,SEAL	2					
3	36350595280	PISTON ASSY	2					
4	36350485710	RING,SEAL	2					
8	36350485820	PLATE (CONICAL)	2					
9	36350277040	RING,RETAINING	2					
10	36350277050	WASHER,THRUST	3					
11	36350595290	SPRING	2					
12	80601110500	RING,RITAINING	3		S50			
13	36350885320	GEAR	1					
14	36350595310	BEARING,BALL	2					
15	36350556050	RING,RETAINING	1					
16	36350885330	GEAR	1					
17	36350885340	SPACER	1					
18	36350595340	BEARING,ROLLER	1					
19	36350297070	BEARING,BALL	1					
20	36350556070	WASHER	2					
21	80601110450	RING,RITAINING	1		S45			
22	36350267140	RING,SEAL	3					
23	36350885350	SPACER	1					
24	36350595360	WASHER,THRUST	4					
25	36350595370	RING,SNAP	2					
26	36350885360	BEARING,NEEDLE	2					
27	36350705200	BEARING,THRUST	2					
28	36350595400	RING,SNAP	1					
29	36350595410	WASHER	1					
71	36350595420	DISK KIT	1					
72	36350885370	OVERHAUL KIT	1					
500	36350885010	CLUTCH PACK,TRANSMISSION	1					

GR-700E-4-00101 5 BOOM + 2 JIB, 2M2D

Pos No.	Parts No	Parts Name	Qty	Unit	Technical Data	Serial No (Start)	Serial No (End)	Remarks	P
100	36172650000	CONTROLLER (GSMT)	1						

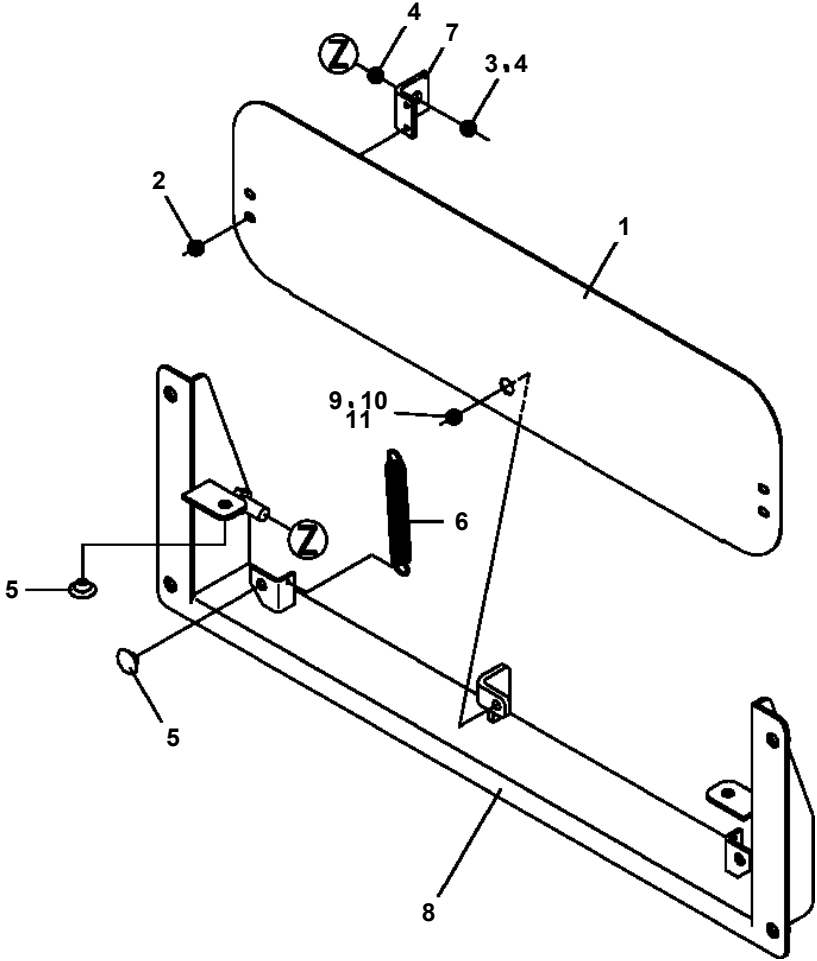
GR-700E-4-00101 5 BOOM + 2 JIB, 2M2D

Pos No.	Parts No	Parts Name	Qty	Unit	Technical Data	Serial No (Start)	Serial No (End)	Remarks	Pages
1	82401800080	PLUG (FOR M8)	2						

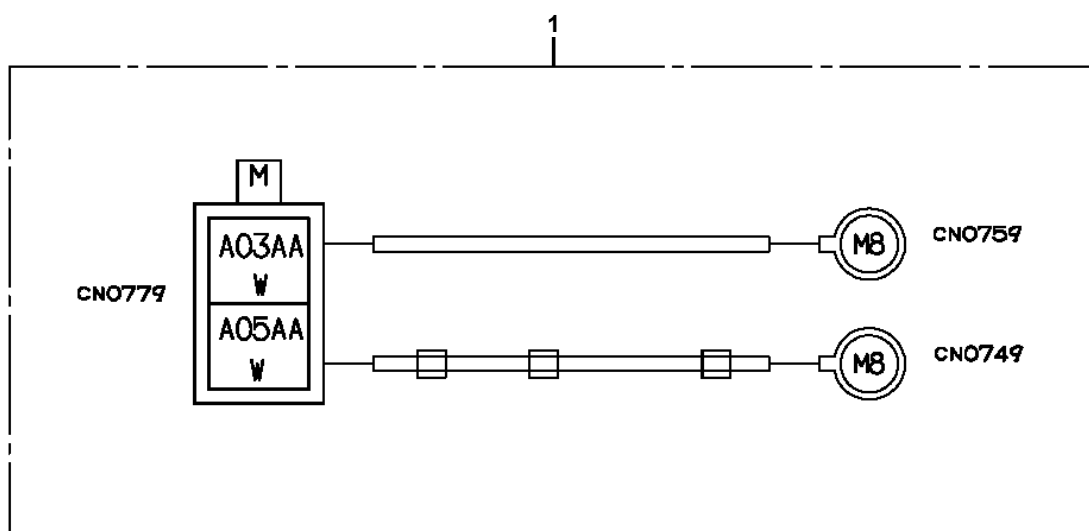
GR-700E-4-00101 5 BOOM + 2 JIB, 2M2D

Pos No.	Parts No	Parts Name	Qty	Unit	Technical Data	Serial No (Start)	Serial No (End)	Remarks	Pages
1	34932272700	COVER	1						
2	91860100020	CLAMP	2		KCR-W20				
3	90280200800	NUT,FLANGE	2		M8				
4	34800661000	SWITCH	1						
5	90186206020	BOLT,FLANGE	2		M6X20				
6	90280200600	NUT,FLANGE	2		M6				
34	34932272240	TAPE	1						
37	82100000956	GROMMET	2		SG-36A				

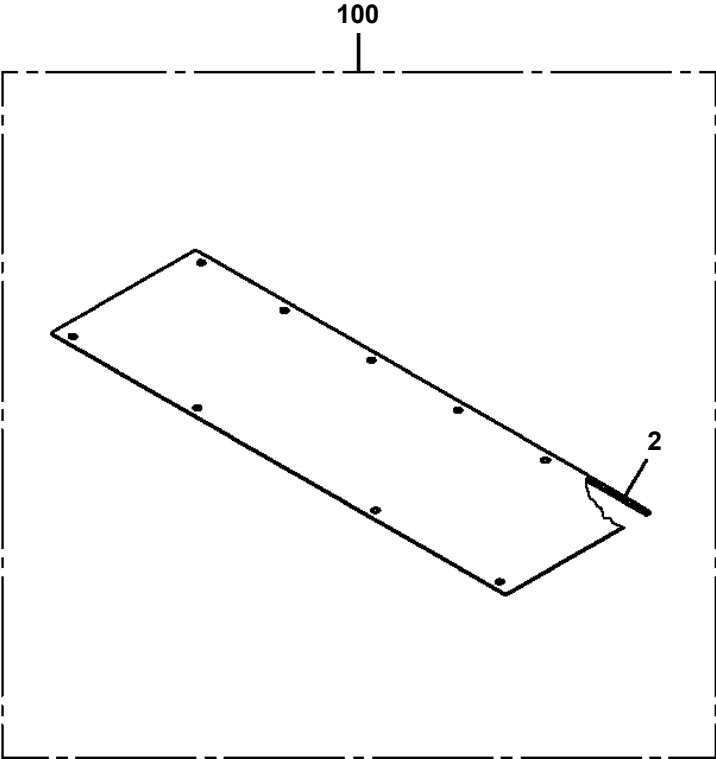
GR-700E-4-00101 5 BOOM + 2 JIB, 2M2D
PC5590082-00 COVER ASSY,ENGINE



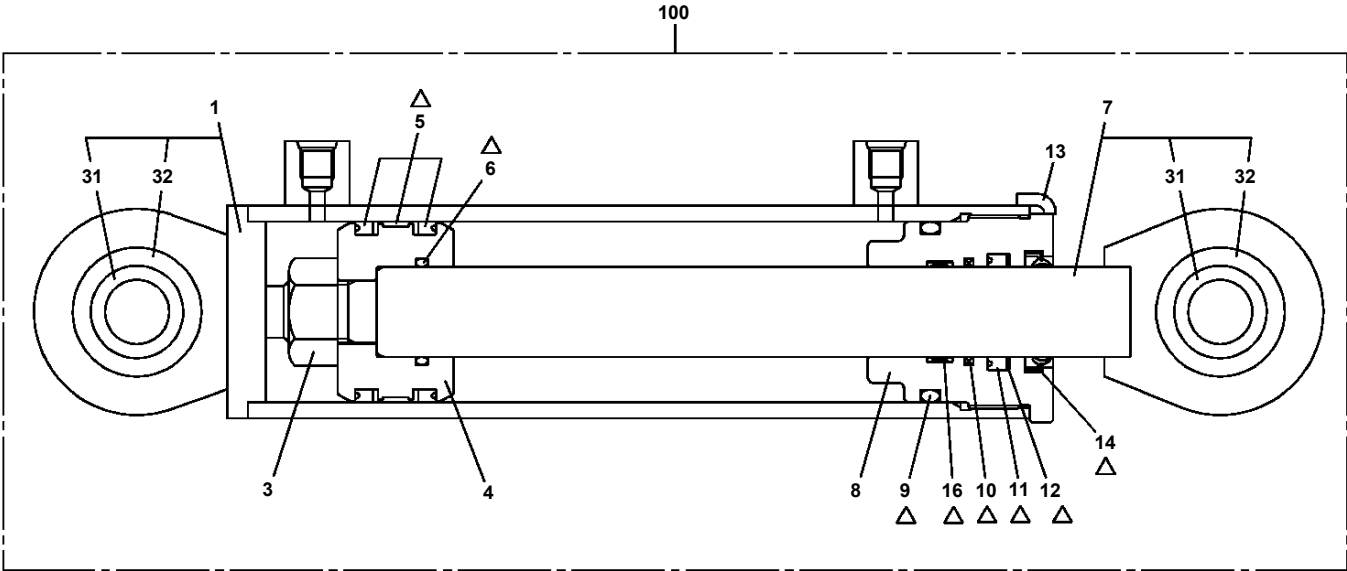
GR-700E-4-00101 5 BOOM + 2 JIB, 2M2D
PC5650064-00 CABLE



GR-700E-4-00101 5 BOOM + 2 JIB, 2M2D
PC5700032-00 COVER



GR-700E-4-00101 5 BOOM + 2 JIB, 2M2D
PC6200009-01 CYLINDER ASSY (QUICK TURN JIB,IP)



Δ:PACKING SET KEY NO.71 (KEY NO.5,6,9,10,11,12,14,16)

GR-700E-4-00101 5 BOOM + 2 JIB, 2M2D

Pos No.	Parts No	Parts Name	Qty	Unit	Technical Data	Serial No (Start)	Serial No (End)	Remarks	P
2	90201202000	NUT	1		M20				
3	91100106500	SEAL,RING	1						
6	36040170041	COVER,ROD	1						
7	91002805800	O-RING	1		1B P58				
8	91694004500	PACKING	1						
9	91410204502	RING,BACKUP	1						
10	91660004501	SEAL,DUST	1						
11	91002802000	O-RING	1		1B P20				
21	36043541500	CYLINDER	1						
24	36040000031	PISTON	1						
25	36043542001	ROD	1						
32	36043549900	PACKING SET	1		45X65				
100	36043540000	CYLINDER ASSY,SLIDE	1						

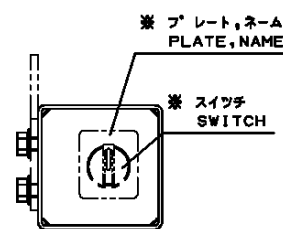
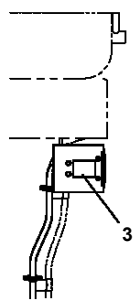
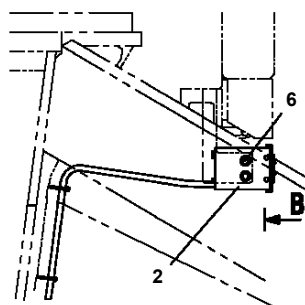
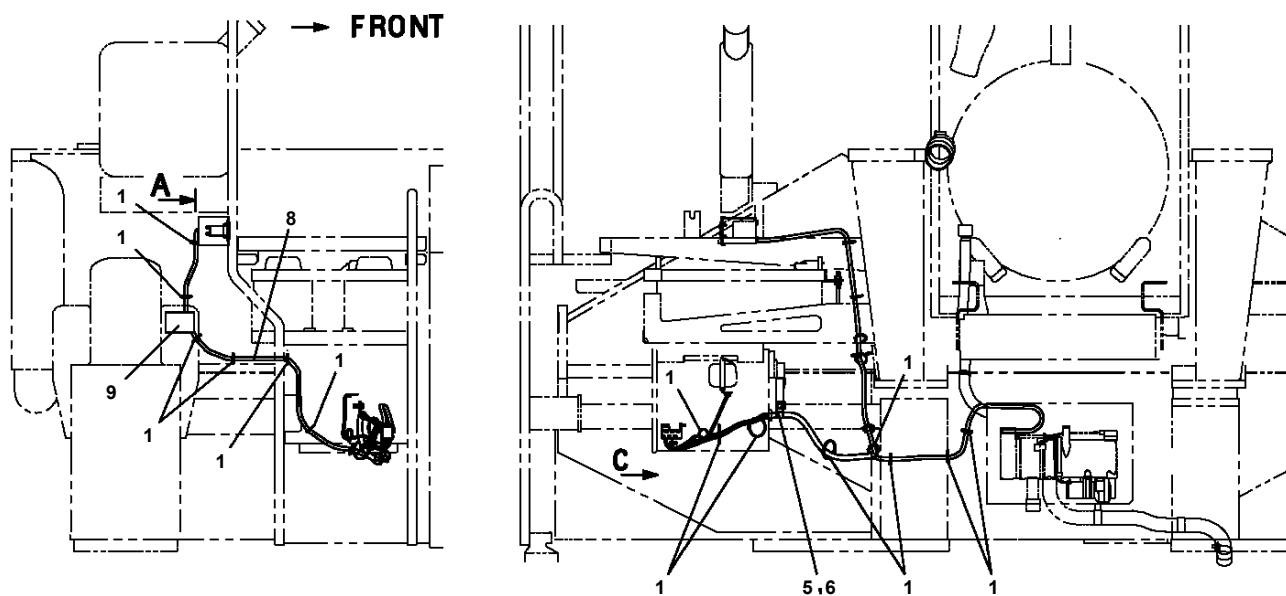
GR-700E-4-00101 5 BOOM + 2 JIB, 2M2D

Pos No.	Parts No	Parts Name	Qty	Unit	Technical Data	Serial No (Start)	Serial No (End)	Remarks
1	36029360000	CYLINDER ASSY,DERRICK	1					

GR-700E-4-00101 5 BOOM + 2 JIB, 2M2D

Pos No.	Parts No	Parts Name	Qty	Unit	Technical Data	Serial No (Start)	Serial No (End)
1	34262922100	LINK ASSY	1				
2	34261902500	HANDLE (OUTER)	1				
3	34262922300	LINK	1				
4	34262922400	LOCK	1				
5	34262922500	LINK (OUTER HANDLE)	1				
6	34261892400	LINK ASSY (REMOTE RH)	1				
7	34261892600	LINK ASSY (MIDDLE REMOTE)	1				
8	34262922800	ROD	1				
9	34262922900	ROD	1				
10	34262923000	ROD	1				
11	34262923100	ROD	1				
12	34262923200	ROD	1				
13	34261902600	HANDLE (INNER)	1				
14	82400000800	PLUG	2				
15	90302040601	WASHER,SPRING	22		6		
16	80135106010	SCREW,MACHINE	7		M6X10		
17	90101206018	BOLT	5		M6X18		
18	34261893250	ROD	1				
19	82400000700	CLIP	7				
20	82400000701	CLIP	2				
21	80192486016	SCREW,MACHINE	2		M6X16		
22	80192435016	SCREW,MACHINE	1		M5X16		
23	34261893300	PIN	1				
24	90303070501	WASHER,PLAIN	1		5		
25	80136316010	PIN,SPLIT	1		1.6X10		
26	34262922010	CUSHION	1				
27	34261900700	SWITCH ASSY (STARTER & DOOR LOCK)	1				
28	80135105010	SCREW,MACHINE	4		M5X10		
41	34262924100	GLASS (DOOR)	1				
42	34262924200	REGULATOR ASSY,WINDOW	1				
43	34262910800	WEATHER STRIP	2				
44	34262910900	WEATHER STRIP	1				
45	34260632260	CUSHION	1				
46	34261901800	JUNCTION (DOOR SIDE)	1				
47	80192488020	SCREW,MACHINE	2		M8X20		
49	90303070601	WASHER,PLAIN	4		6		
50	90101206010	BOLT	6		M6X1.0		
51	80192486010	SCREW,MACHINE	2		M6X10		
52	34260581310	SUPPORT	1				
53	91810130240	FASTENER	1				
71	34262925100	ARM ASSY (CENTER)	1				
72	34262925200	ARM ASSY (LOWER)	1				
73	34262925300	ARM ASSY (UPPER)	1				
74	34261901200	WEDGE	2				
75	80185306014	SCREW,MACHINE	4		M6X14		
76	90101208014	BOLT	3		M8X14		
77	90303070801	WASHER,PLAIN	5		8		
78	90302040801	WASHER,SPRING	3		8		
79	90180208016	BOLT,BUTTON	2		M8X16		
80	90303071001	WASHER,PLAIN	3		10		
81	90302041001	WASHER,SPRING	3		10		
82	90101210022	BOLT	2		M10X22		
83	90172110025	BOLT,HEXAGON SOCKET	1		M10X25		
101	34262926100	COVER	1				
102	34262926200	TRIM	1				
103	82400000703	CLIP	9				
104	80192485012	SCREW,MACHINE	11		M5X12		
105	34262926030	SCREEN	1				
121	34262910600	REGULATOR ASSY,WINDOW	1				
122	34262911100	MOTOR ASSY	1				
123	34260581340	SCREW,TAPPING	3				
141	34262925400	SUPPORT ASSY	1				
142	34262925500	SUPPORT ASSY	1				

GR-700E-4-00101 5 BOOM + 2 JIB, 2M2D
 PE5021424-00 ELEC.ASSY



展開図有
 ILLUSTRATED BREAKDOWN NO.2

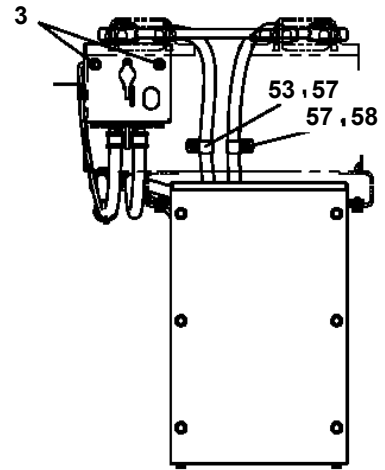
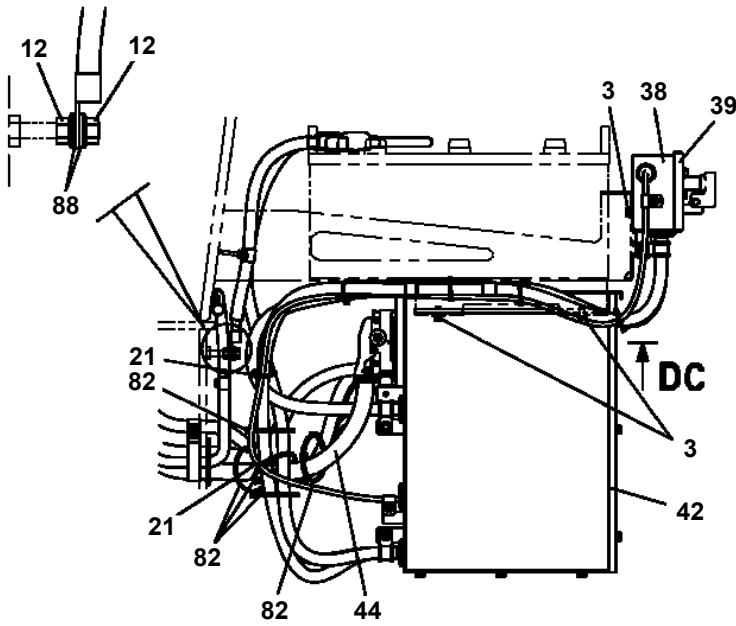
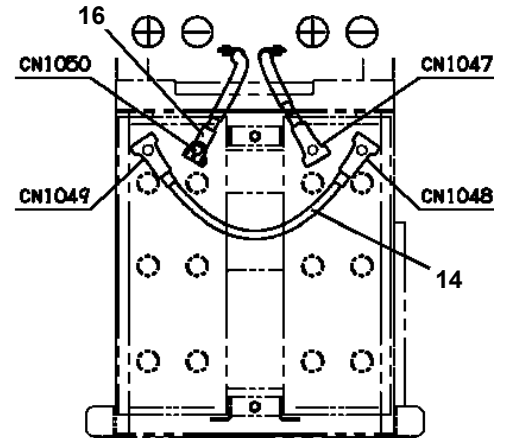
A

B

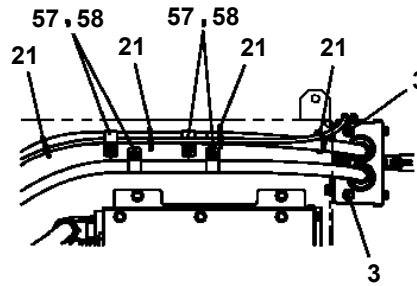
GR-700E-4-00101 5 BOOM + 2 JIB, 2M2D

Pos No.	Parts No	Parts Name	Qty	Unit	Technical Data	Serial No (Start)	Serial No
1	34356101100	HARNESS ASSY	1				
2	34355810200	SUPPORT	1				
3	(*****)	RELAY ASSY	1				
4	34355810400	SUPPORT	1				
5	34355810700	SUPPORT	1				
6	(*****)	SWITCH ASSY (1)	1				
7	(*****)	SWITCH ASSY (2)	1				
8	(*****)	SWITCH ASSY (3)	1				
9	(*****)	SWITCH ASSY (5)	1				
10	(*****)	RELAY ASSY	1				
11	34355812200	SUPPORT	1				
13	34355812400	SUPPORT	1				
14	36684530000	METER ASSY (CONBINATION,ASSY ONLY)	1				
15	34355271330	SWITCH ASSY (ASSY ONLY)	1				
16	36173020000	CONTROLLER (ISU)	1				
19	34355811500	CONVERTER (ASSY ONLY)	1				
20	34355271320	SWITCH ASSY (SHIFT SW,ASSY ONLY)	1				
21	34355271340	SWITCH ASSY (MFD CONTROL,ASSY ONLY)	1				
22	34350850530	BUZZER ASSY (WITH HARNESS)	2				
23	34354751600	BUZZER	1				
24	82183901010	CONDENSER	4				
25	82466302500	GROMMET	1				
30	82100002311	RELAY (FLASHER UNIT)	1				
32	34356182200	SUPPORT	1				
33	34355810450	SUPPORT	1				
34	34355271510	LAMP,ROOM (ASSY ONLY)	1				
35	90280200600	NUT,FLANGE	40		M6		
36	90280200800	NUT,FLANGE	13		M8		
37	90201200800	NUT	1		M8		
38	90186206010	BOLT,FLANGE	8		M6X10		
39	90186206014	BOLT,FLANGE	8		M6X14		
40	90186206016	BOLT,FLANGE	4		M6X16		
41	90186208014	BOLT,FLANGE	4		M8X14		
42	80175304010	SCREW,MACHINE	2		M4X10		
43	80173805010	SCREW,MACHINE	8		M5X10		
44	80192484012	SCREW,MACHINE (WITH WASHER)	4		M4X12		
45	80192485012	SCREW,MACHINE	9		M5X12		
46	80197586012	SCREW,MACHINE	14		M6X12		
47	80192486020	SCREW,MACHINE	3		M6X20		
48	82100002042	CLAMP	2		WE20		
49	82100002011	CLAMP	2		WRC15		
50	82100002014	CLAMP	8		WR20		
51	82100002017	CLAMP	3		WR30		
52	82100002018	CLAMP	6		WR35		
53	37000601600	CLAMP	3		WR54		
54	91860210130	CLAMP	17		10-30		
56	91810130250	FASTENER	2				
57	90302040801	WASHER,SPRING	1		8		
58	90303070801	WASHER,PLAIN	1		8		
59	90303290600	WASHER,PLAIN	16		6		
60	34355271190	CAP	1				
61	91810130270	FASTENER	1				
87	82400000201	GROMMET	1		KG-016		

**GR-700E-4-00101 5 BOOM + 2 JIB, 2M2D
PE5021440-00 ELEC.ASSY (LOWER)**

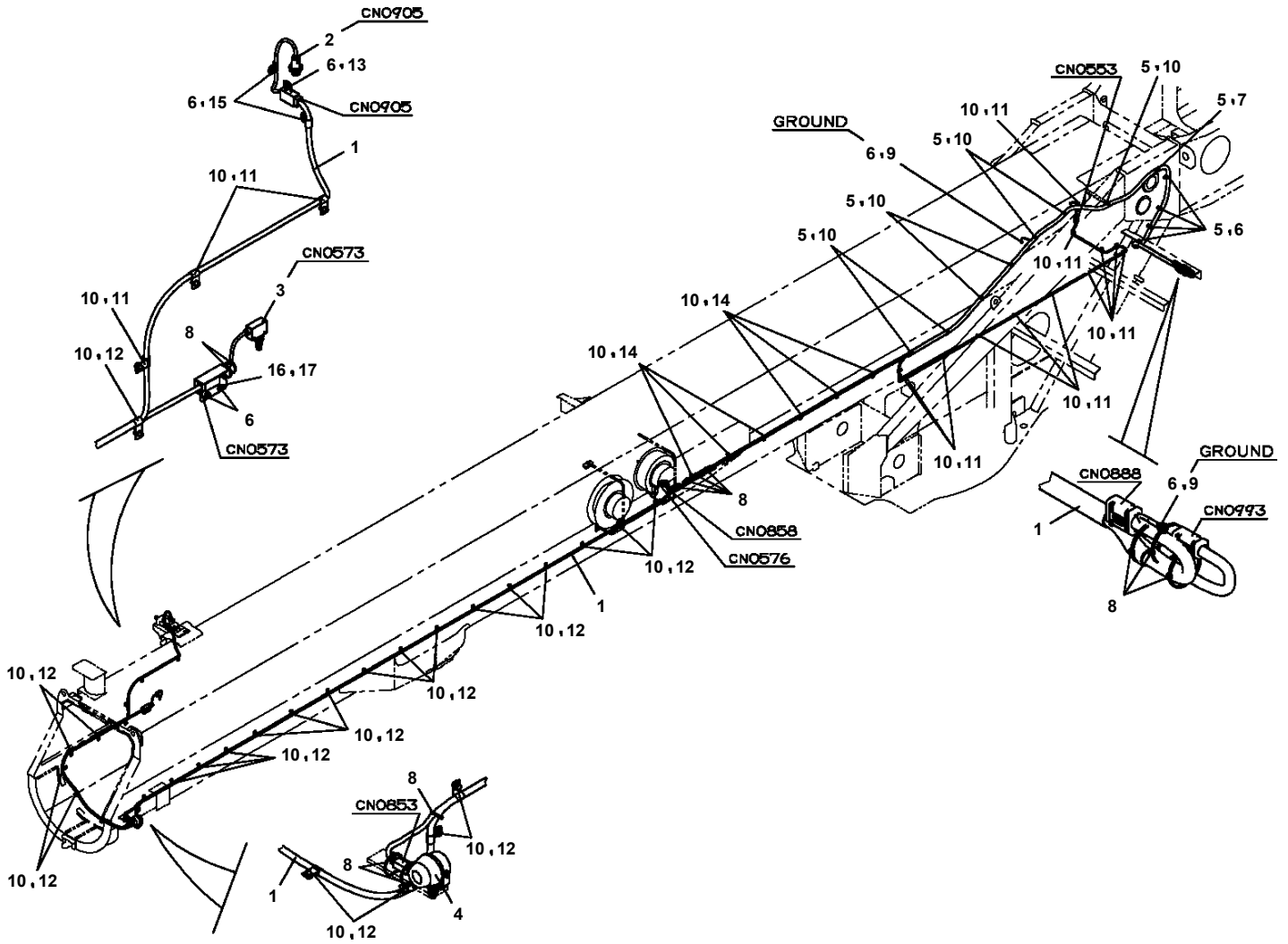


D

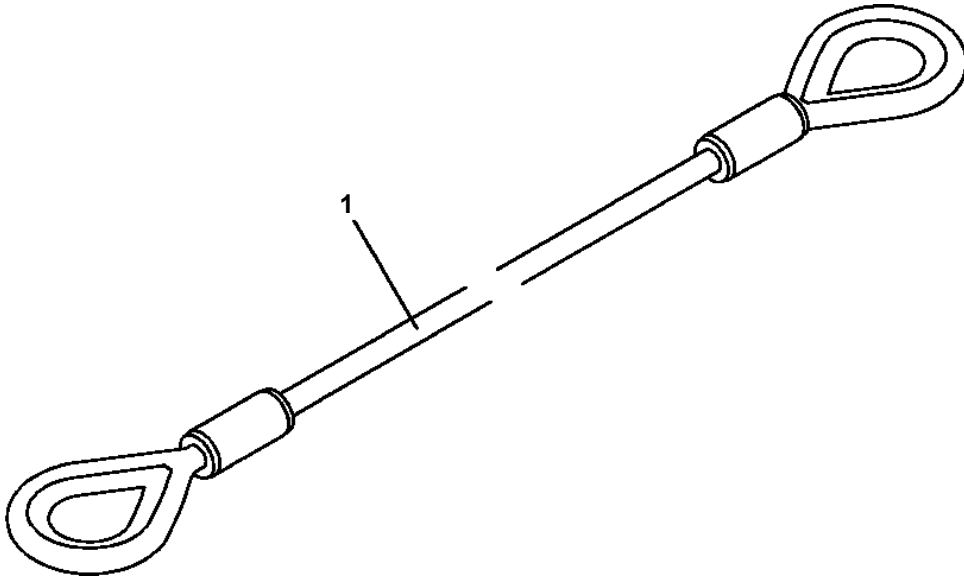


DC

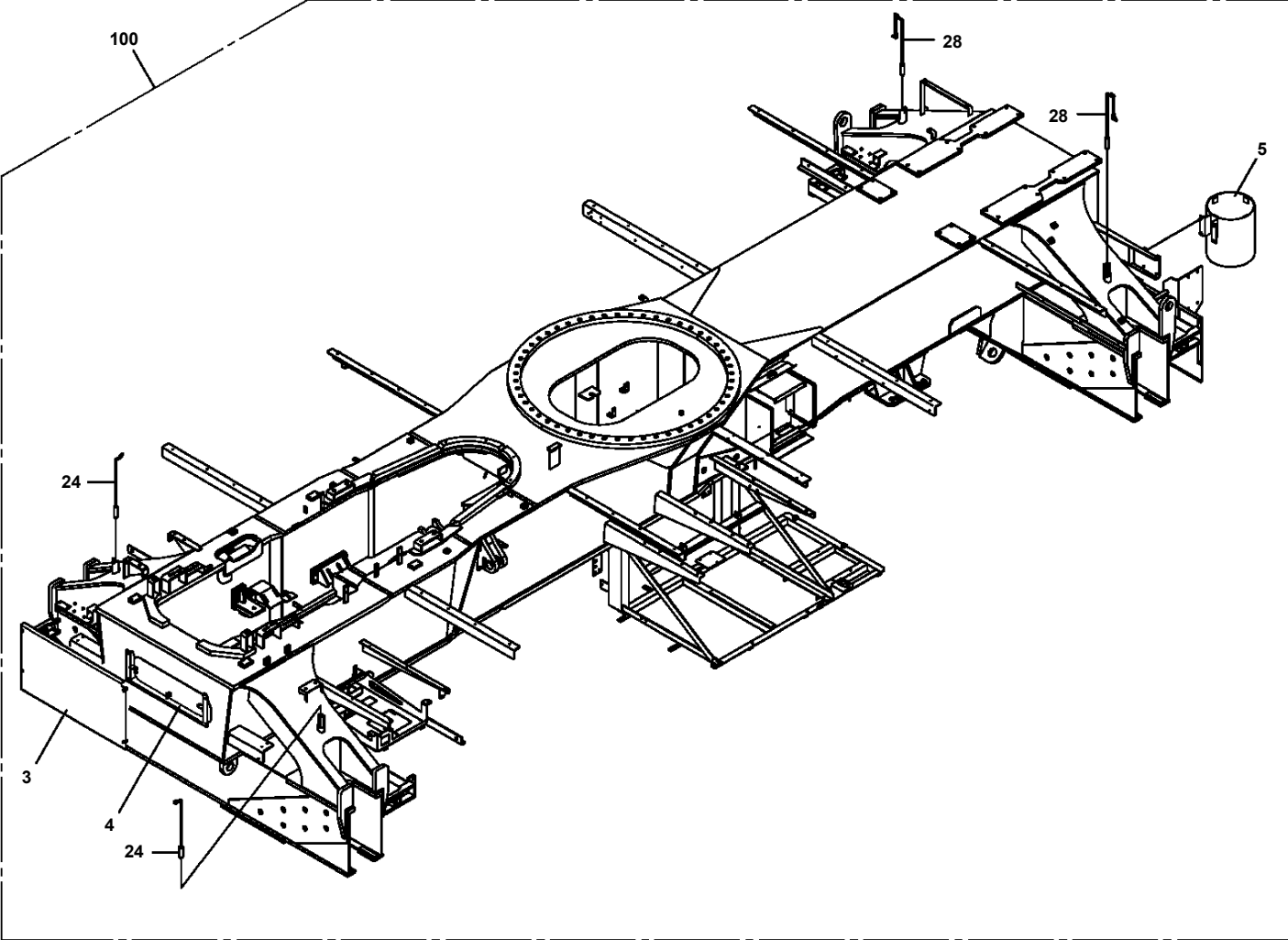
GR-700E-4-00101 5 BOOM + 2 JIB, 2M2D
PE5050031-00 ELEC.ASSY,BOOM



GR-700E-4-00101 5 BOOM + 2 JIB, 2M2D
PF1070024-00 ROPE,WIRE (MAIN HOOK STOWING)

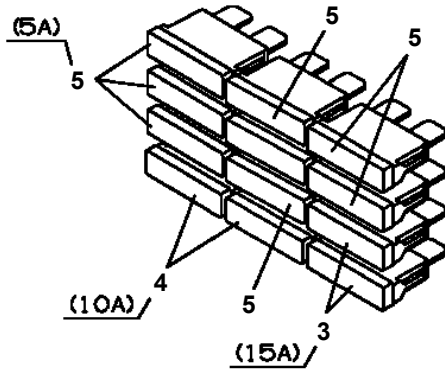


GR-700E-4-00101 5 BOOM + 2 JIB, 2M2D
PF5100511-00 FRAME ASSY

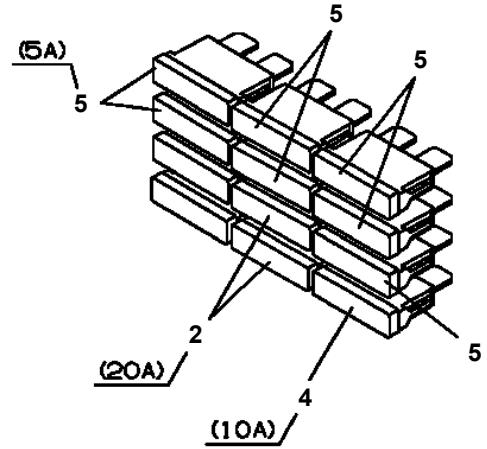


GR-700E-4-00101 5 BOOM + 2 JIB, 2M2D
PF5160002-00 FUSE ASSY

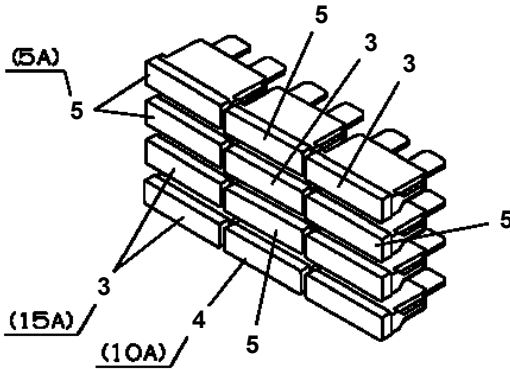
100



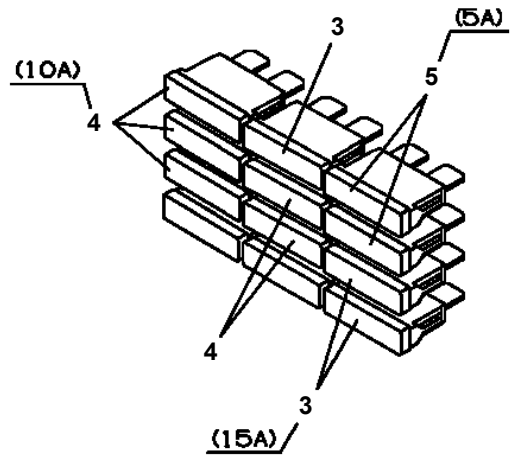
FUSE BOX (1) CN868



FUSE BOX (2) CN869

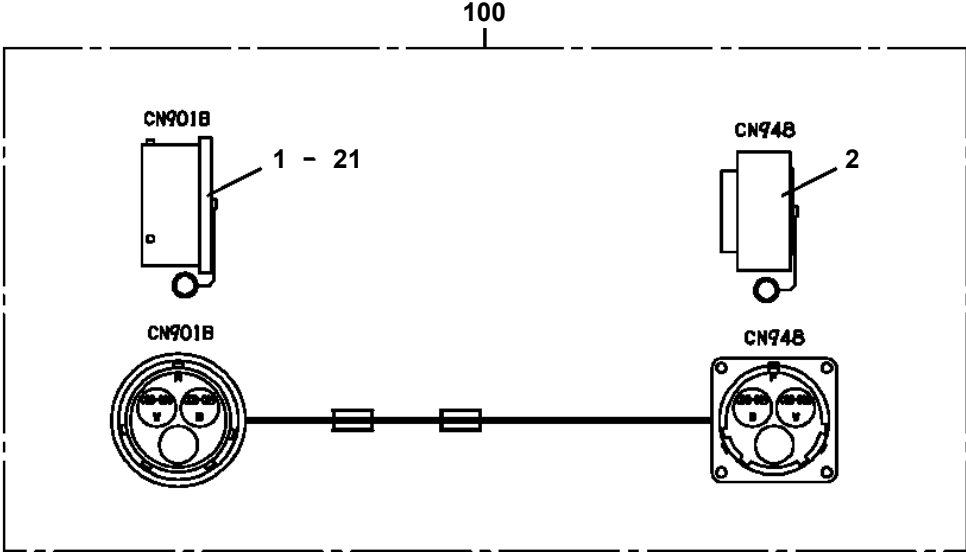


FUSE BOX (3) CN870



FUSE BOX (4) CN871

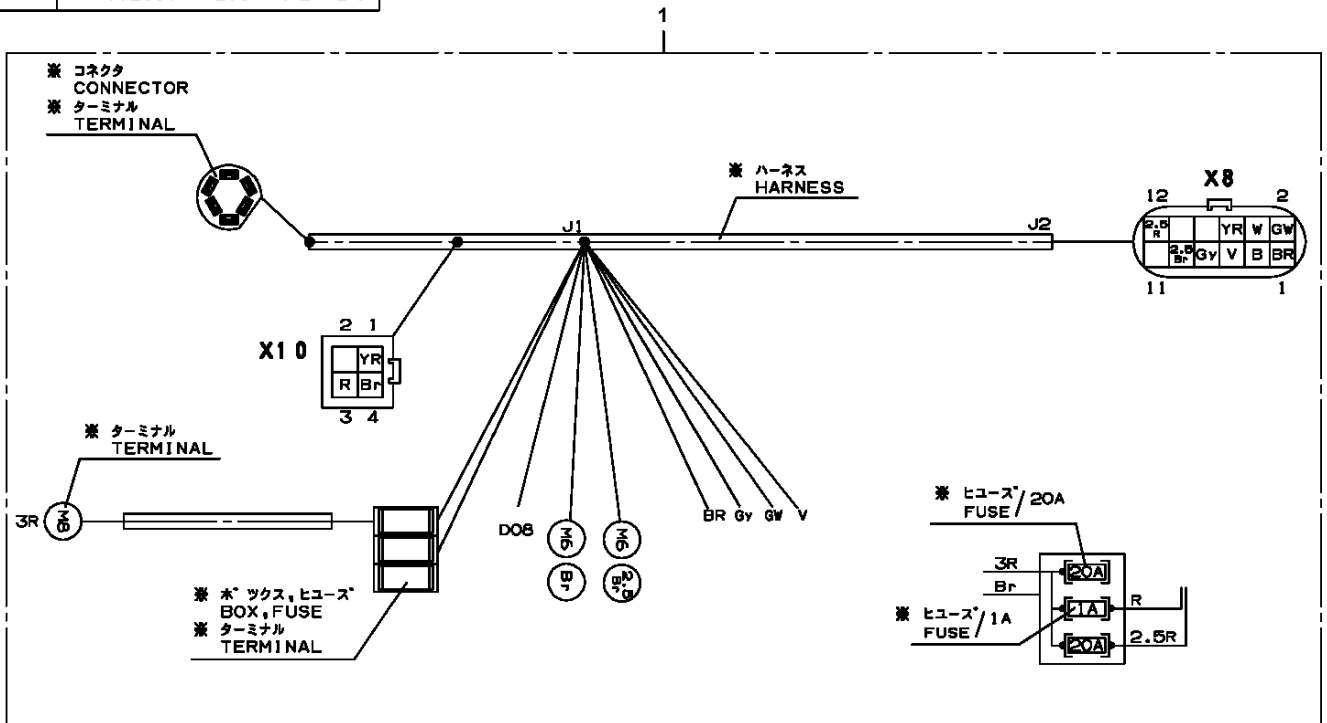
**GR-700E-4-00101 5 BOOM + 2 JIB, 2M2D
PH5031049-01 HARNESS (JIB1,OVERWINDING)**



GR-700E-4-00101 5 BOOM + 2 JIB, 2M2D PH5032702-01 HARNESS (HEATER)

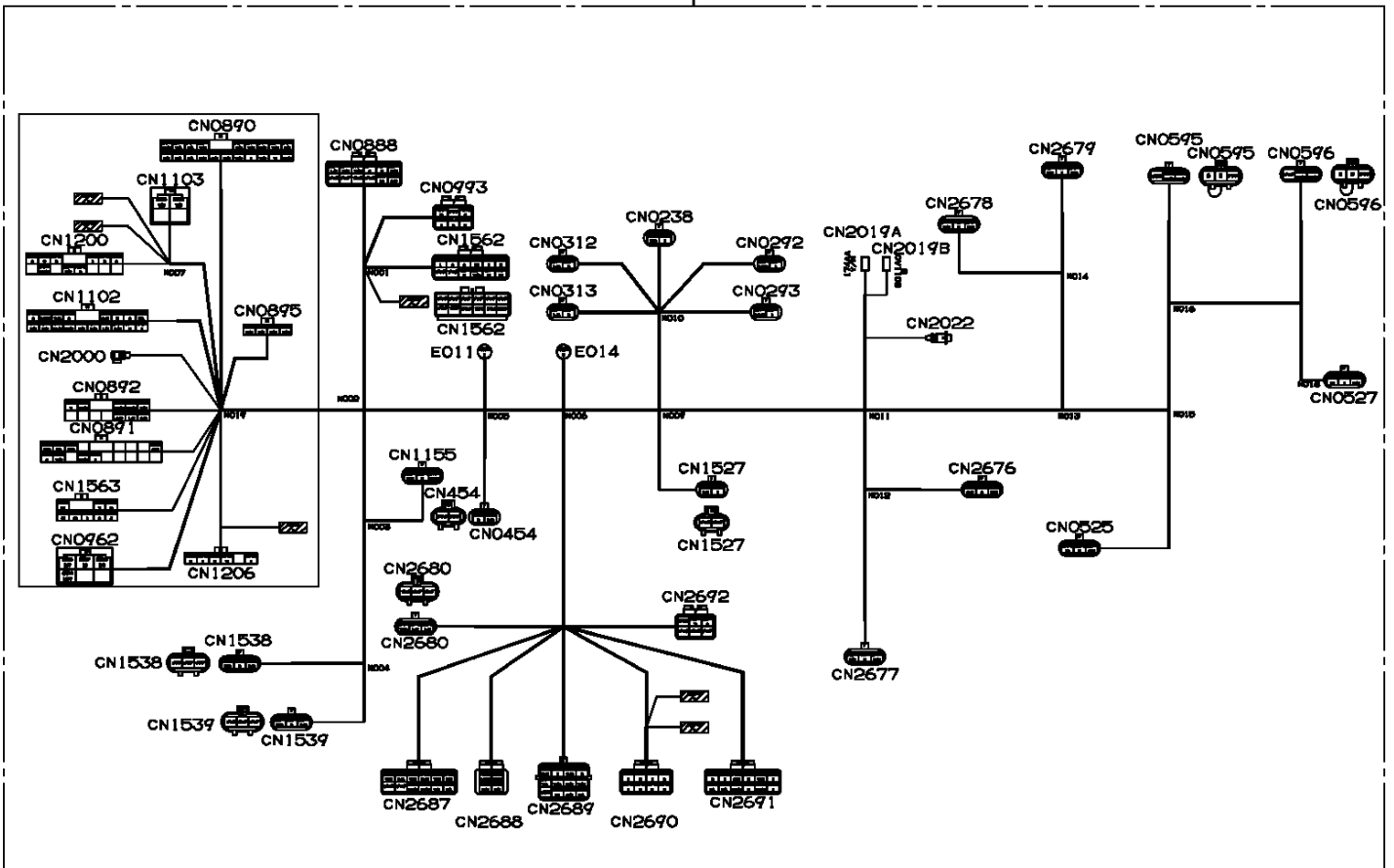
※材は [付属品リスト] より検索してください。
FOR THE PART ※, SEE THE CORRESPONDING "ACCESSORY LIST."

101	フソクヒンリスト (ヒータ) ACCESSORY LIST (HEATER)
-----	---

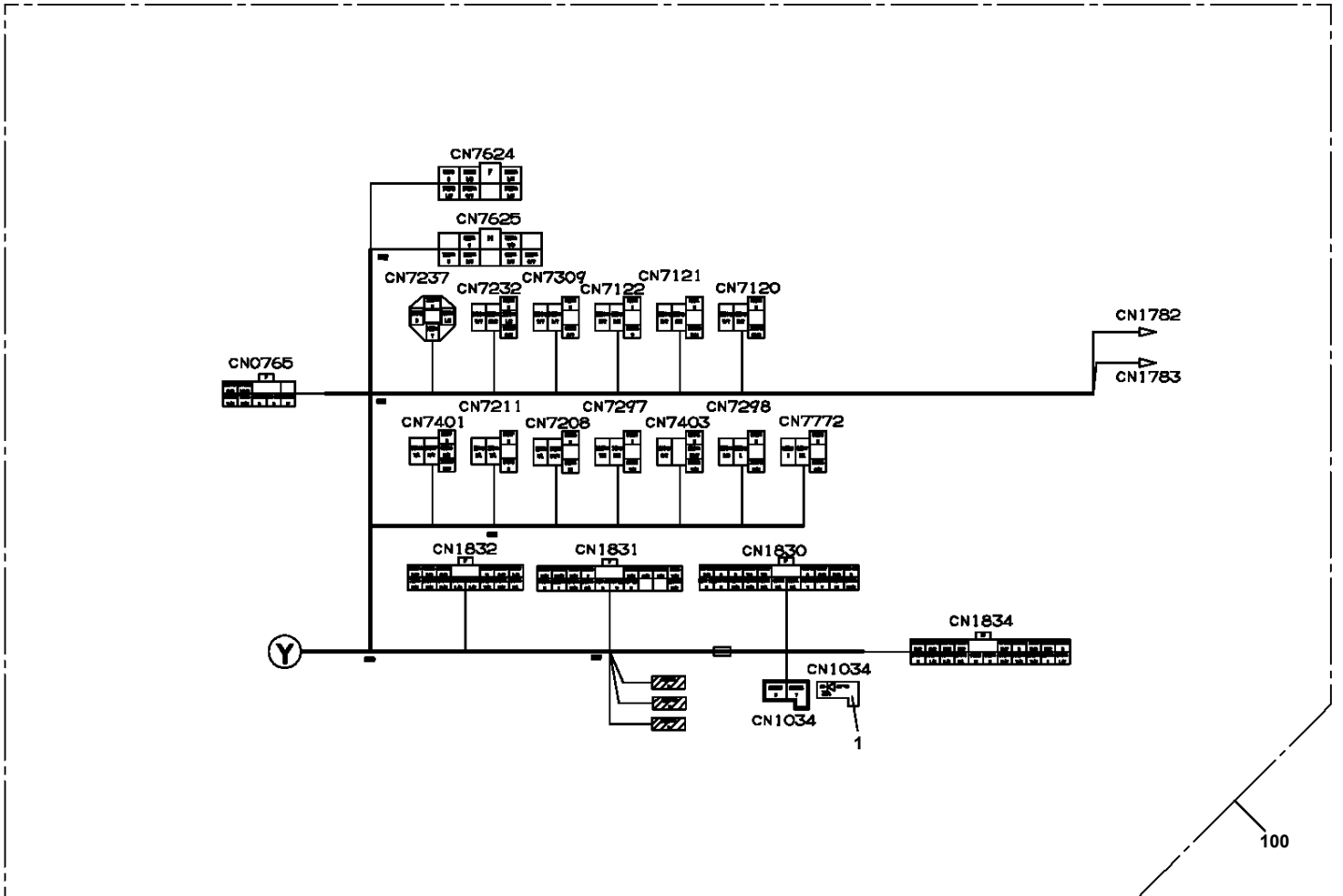


GR-700E-4-00101 5 BOOM + 2 JIB, 2M2D
PH5034381-00 HARNESS (SWING FRAME,LEFT)

100



GR-700E-4-00101 5 BOOM + 2 JIB, 2M2D
PH5034389-00 HARNESS (MAIN)

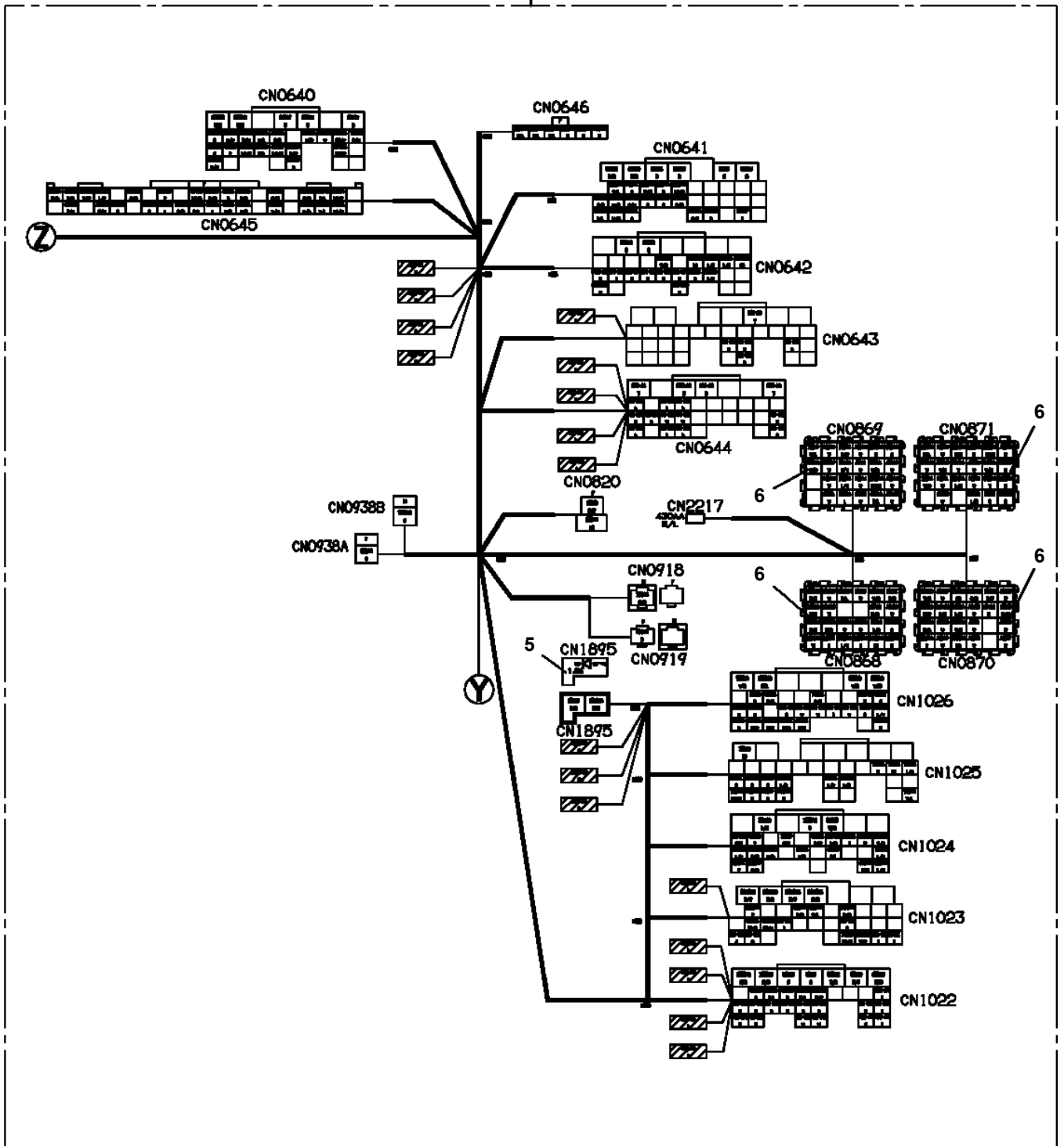


GR-700E-4-00101 5 BOOM + 2 JIB, 2M2D

Pos No.	Parts No	Parts Name	Qty	Unit	Technical Data	Serial No (Start)	Serial No (End)	Remarks	Pages
1	34498960100	HARNESS	1						

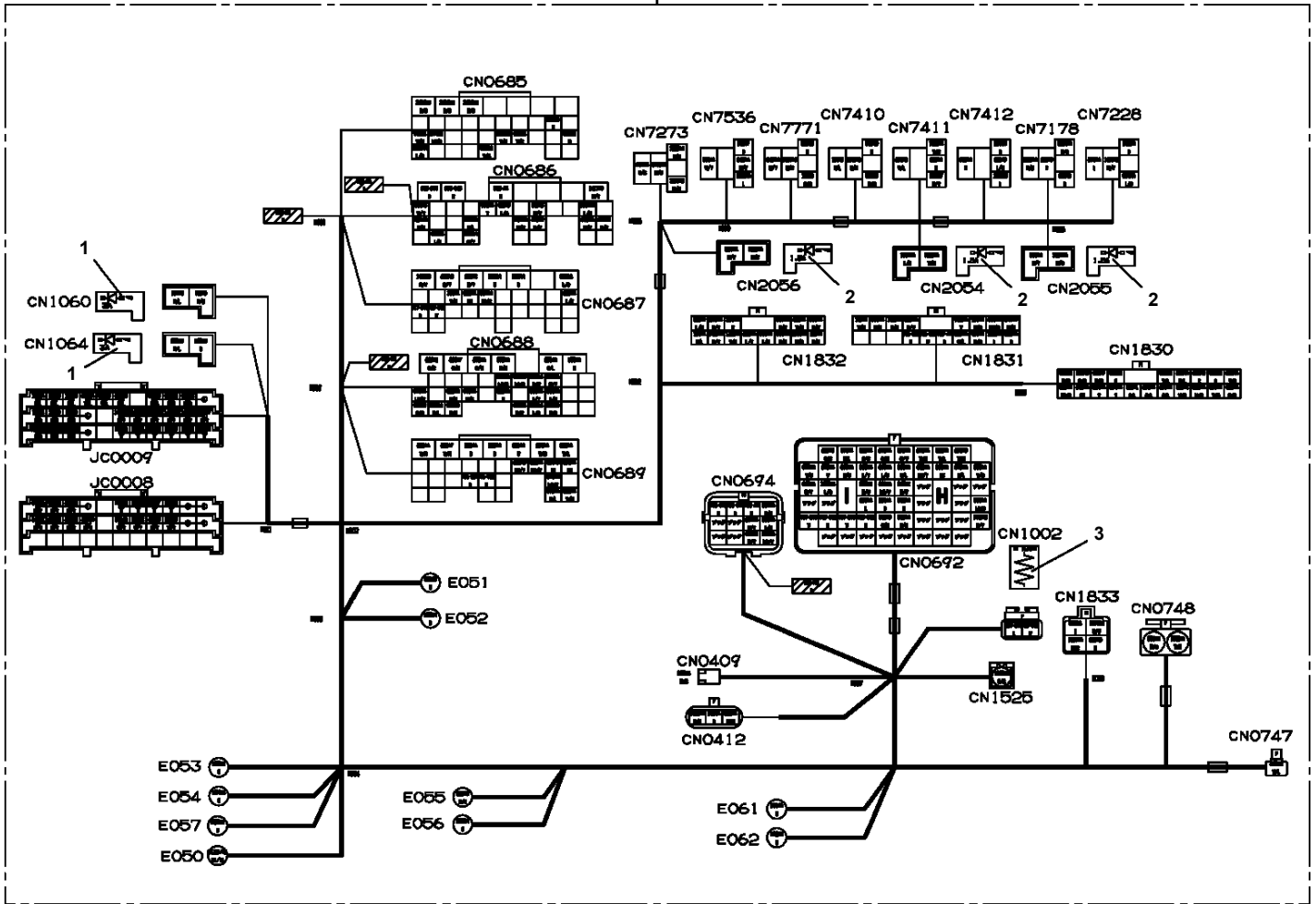
GR-700E-4-00101 5 BOOM + 2 JIB, 2M2D
PH5034413-00 HARNESS (CAB MAIN)

100

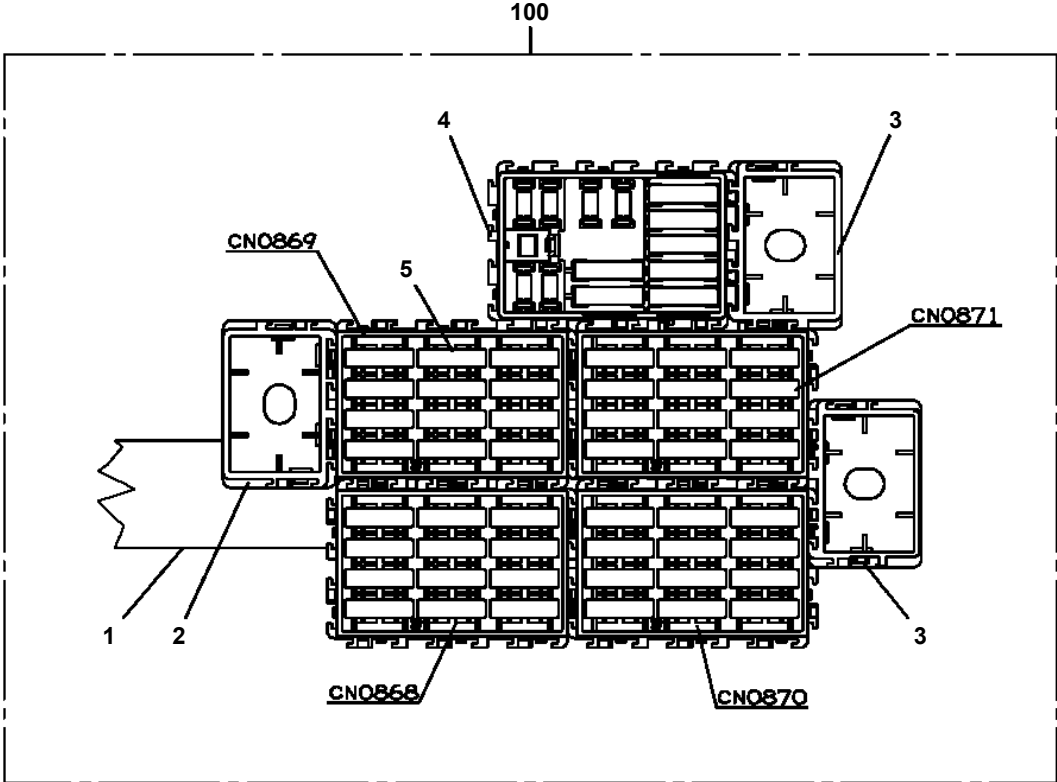


**GR-700E-4-00101 5 BOOM + 2 JIB, 2M2D
PH5034432-00 HARNESS (ENGINE)**

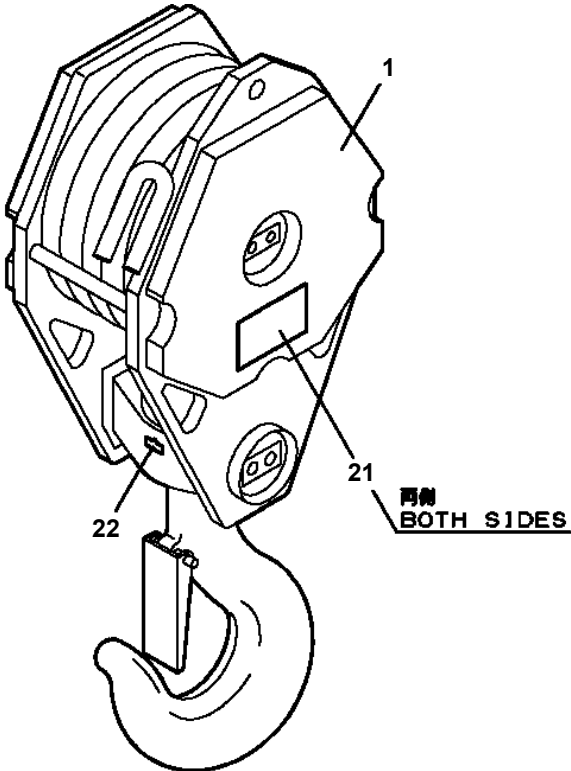
100



GR-700E-4-00101 5 BOOM + 2 JIB, 2M2D
PH5040028-00 HARNESS ASSY



GR-700E-4-00101 5 BOOM + 2 JIB, 2M2D
PH5080291-00 HOOK ASSY (MIDDLE,35 TON/ENGLISH)



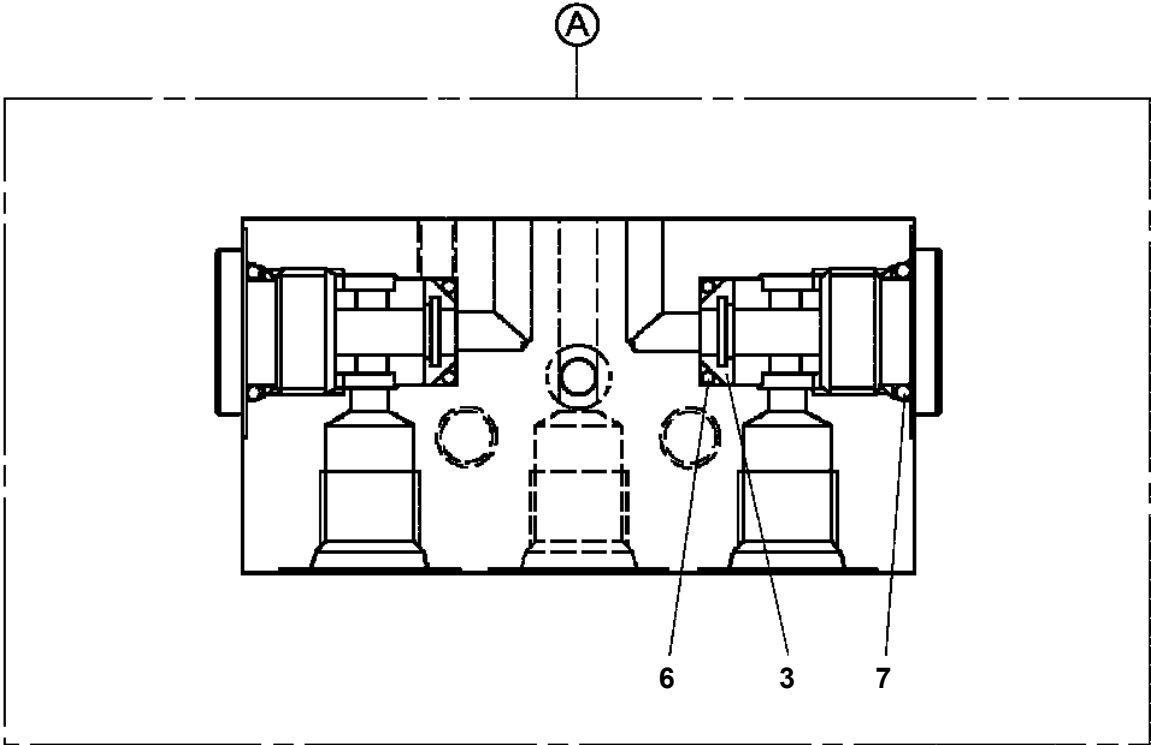
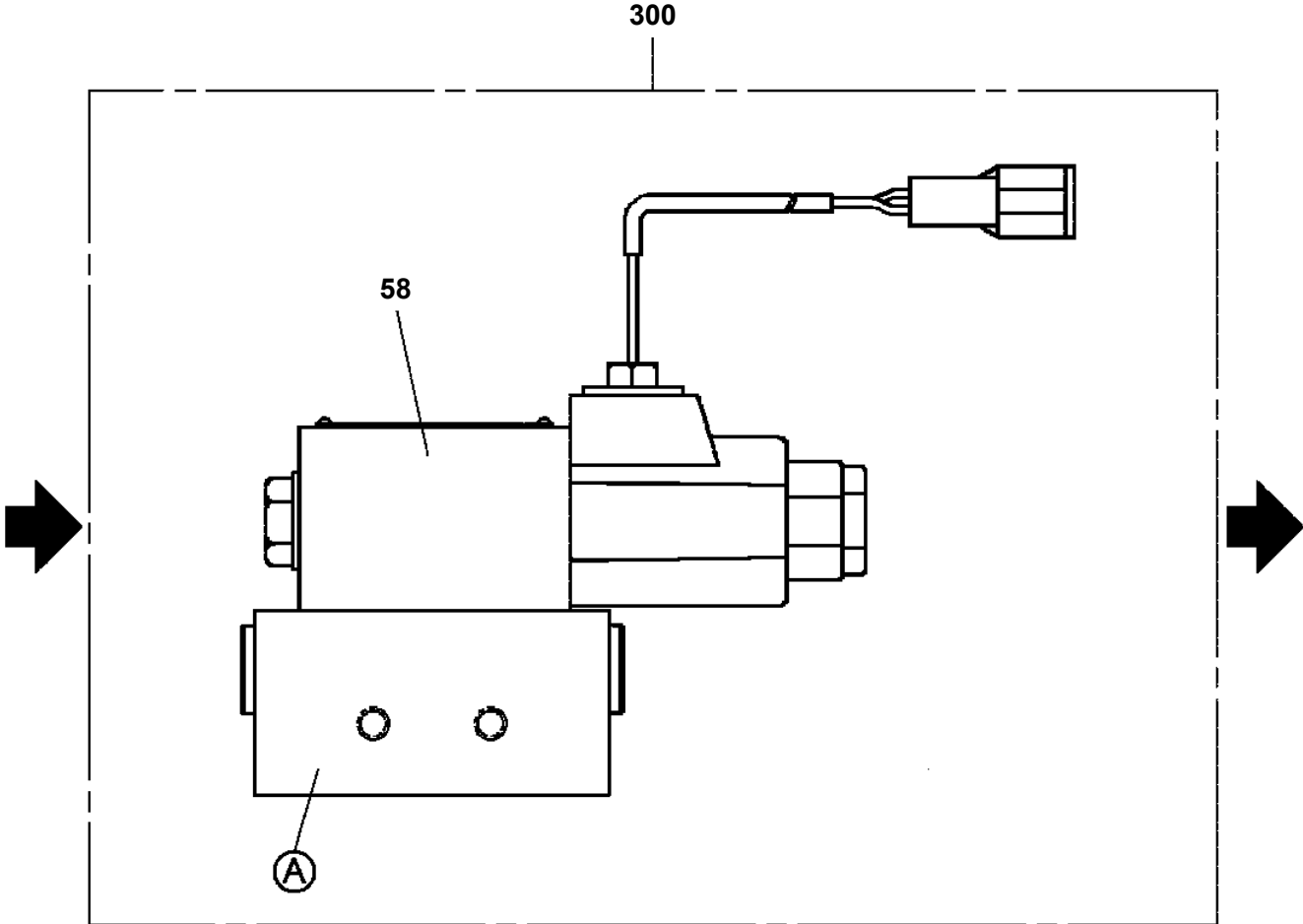
21

35000 kg
HOOK MASS : 450kg (1000lb)

22

GREASE

GR-700E-4-00101 5 BOOM + 2 JIB, 2M2D
PI1120138-04 VALVE,SOLENOID



GR-700E-4-00101 5 BOOM + 2 JIB, 2M2D

Pos No.	Parts No	Parts Name	Qty	Unit	Technical Data	Serial No (Start)	Serial No (End)	Remark
109	36646085020	O-RING	2					
115	36642935070	BOLT,HEXAGON SOCKET	4		M5X30			
160	36640085015	RETAINER	2					
171	36640085025	SPRING	2					
213	36642935040	RING	4					
256	36602555010	O-RING	2					
257	36646085031	SOLENOID	2					
259	36649855100	O-RING	2					
263	36611665190	PLATE	1					
300	36647890000	VALVE,SOLENOID (UCHIDA)	1					

GR-700E-4-00101 5 BOOM + 2 JIB, 2M2D

Pos No.	Parts No	Parts Name	Qty	Unit	Technical Data	Serial No (Start)	Serial No (End)
5	36741555010	SEAT,SPRING	3				
6	36643865010	SPRING	3				
7	90131506020	BOLT,HEXAGON SOCKET	8		M6X20		
8	90131506055	BOLT,HEXAGON SOCKET	2		M6X55		
9	36741555020	SCREW,MACHINE (HEXAGON SOCKET)	2				
10	91002802200	O-RING	4		1B P22		
11	91002800900	O-RING	4		1B P9		
12	91002800700	O-RING	2		1B P7		
13	36741425010	PLUG	10				
14	36741555030	PLUG	2				
15	36645555010	VALVE,SOLENOID	3				
51	91000501300	O-RING	3		AS568-013		
52	91000501400	O-RING	3		014 1115-70		
53	91000501500	O-RING	3		AS568-015		
54	91002802000	O-RING	3		1B P20		
100	36741550000	VALVE,SOLENOID	1				

GR-700E-4-00101 5 BOOM + 2 JIB, 2M2D

Pos No.	Parts No	Parts Name	Qty	Unit	Technical Data	Serial No (Start)	Serial No (End)	Remarks	Pages
1	59451304030	SPRING	1						
3	59451304050	CAP	1						
4	59451304010	O-RING	1						
5	59451304000	VALVE,CHECK	1						

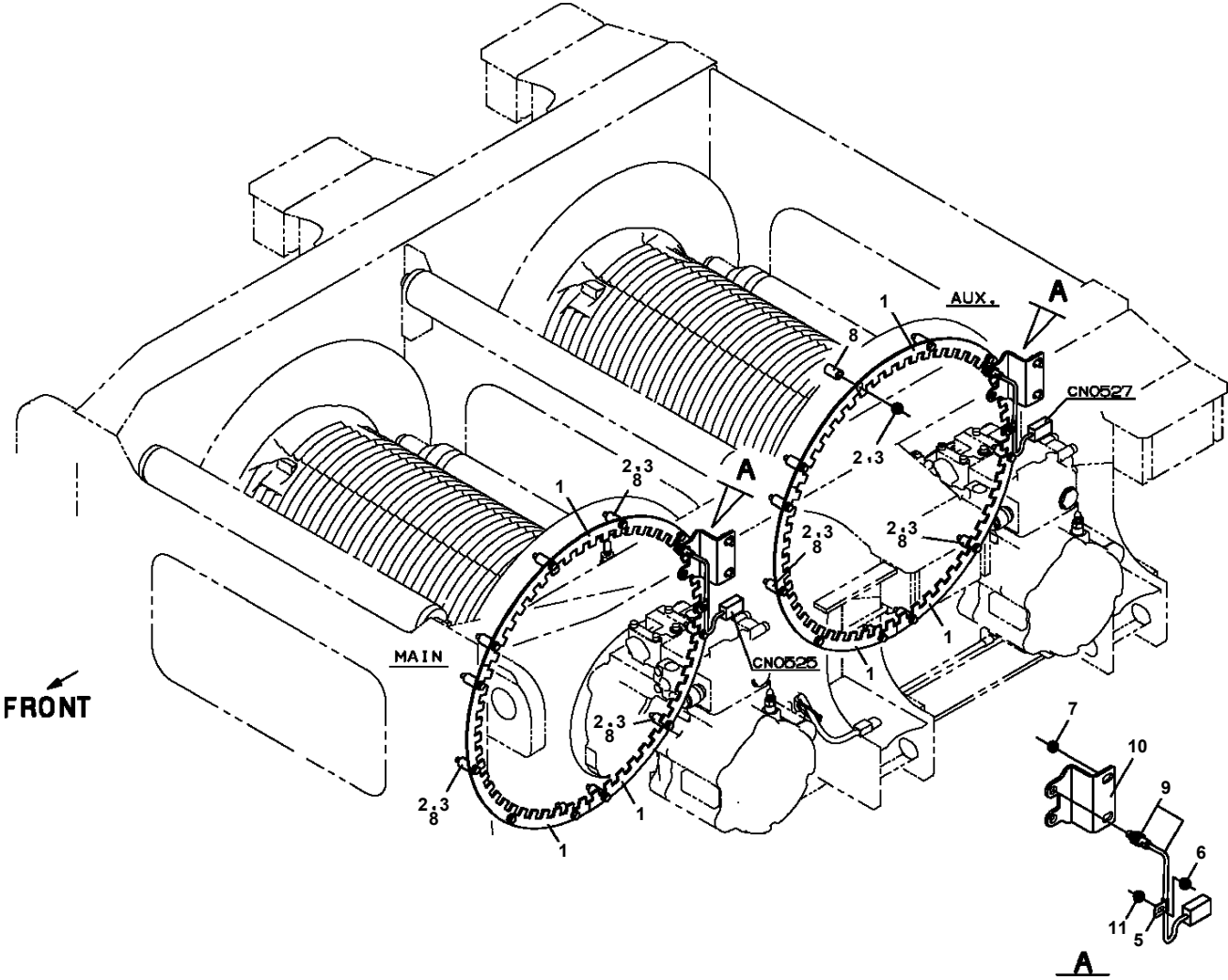
GR-700E-4-00101 5 BOOM + 2 JIB, 2M2D

Pos No.	Parts No	Parts Name	Qty	Unit	Technical Data	Serial No (Start)	Serial No (End)	Remarks	Pages
3	36625205020	SPRING	1						
4	36625060030	PLUG	1						
5	91002801800	O-RING	1		1B P18				
50	36625200000	VALVE,CHECK	1						

GR-700E-4-00101 5 BOOM + 2 JIB, 2M2D

Pos No.	Parts No	Parts Name	Qty	Unit	Technical Data	Serial No (Start)	Serial No (End)	R
2	91002804400	O-RING	3		1B P44			
3	91411004400	RING,BACKUP	3		P44			
4	91002802500	O-RING	1		1B P25			
5	91410002500	RING,BACKUP	1		P25			
12	91002801500	O-RING	1		1B P15			
15	36605175100	SPRING	1					
19	91002803800	O-RING	1		1B P38			
50	36605480000	CARTRIDGE, COUNTERBALANCE	1					

GR-700E-4-00101 5 BOOM + 2 JIB, 2M2D
PI5030029-00 INDICATOR ASSY, DRUM



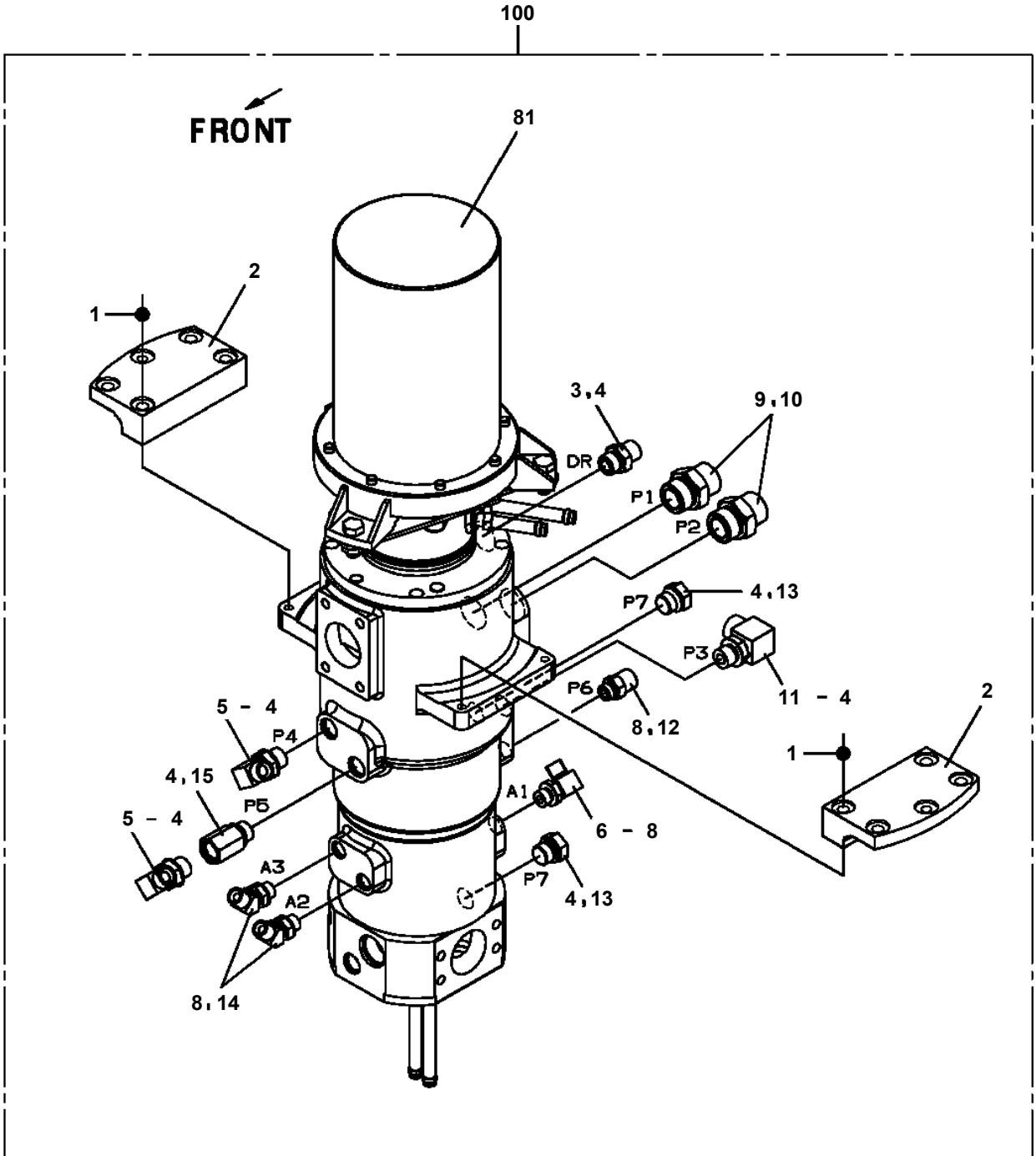
GR-700E-4-00101 5 BOOM + 2 JIB, 2M2D

Pos No.	Parts No	Parts Name	Qty	Unit	Technical Data	Serial No (Start)	Serial No (End)	Remark
1	34372851000	SWITCH ASSY (OVERWIND)	1					
2	90201201200	NUT	2		M12			
3	80620210140	PIN,SNAP	1					

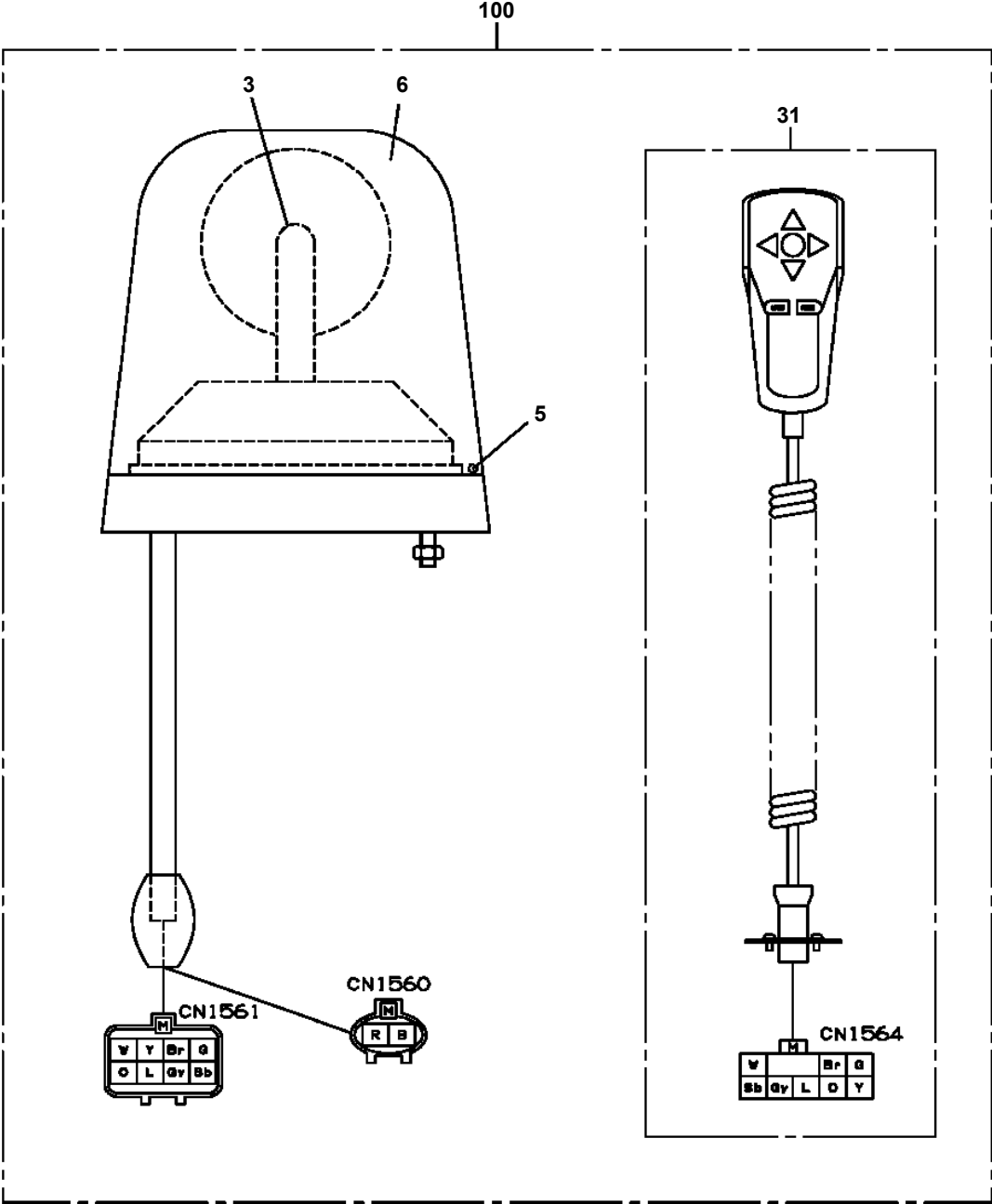
GR-700E-4-00101 5 BOOM + 2 JIB, 2M2D

Pos No.	Parts No	Parts Name	Qty	Unit	Technical Data	Serial No (Start)	Serial No (End)	Re
4	37000200540	PIN,SNAP	1		D=25			
5	37000114400	PIN	1		D=25,L=106			
6	37000180360	PIN	1					
7	80601110900	RING,RITAINING	1		S90			
8	37001002910	SHEAVE ASSY	1					
9	82456101000	NIPPLE,GREASE	1		A-PT1/8			
12	34220123000	GUIDE ASSY	1					
13	90101210016	BOLT	3		M10X16			
14	90302041001	WASHER,SPRING	3		10			
15	37000115140	PIN	1					
16	37000304020	SPACER	2		L=6			
17	37001009650	SHEAVE ASSY	1					
28	37001105400	ROLLER ASSY	2					
29	37000312140	SPACER	4		L=9			
30	37000174490	PIN	2					
122	80515006018	BEARING,BALL	2					
141	34220123010	GUIDE	1					
142	34220123050	SUPPORT	1					
143	18616010001	SPRING	1					
144	80720108045	PIN,SPRING	1		8X45			
162	80513006207	BEARING,BALL	2					
172	80516006207	BEARING,BALL	2					
173	80602110720	RING,RITAINING	2		R72			
191	34221546001	SUPPORT ASSY	1					
192	34221540300	PLATE	1					
193	34221546400	SUPPORT	1					
194	37000579310	PLATE	1					
195	33220000220	STOPPER	1					
196	34221485950	PLATE	1					
197	34221540510	PLATE	1		T=4.5			
198	34221540520	PLATE	1		T=6			
199	34221540530	PLATE	1		T=9			
200	34221540540	PLATE	1		T=8			
201	34222613100	SUPPORT	1					
202	34221547300	SUPPORT ASSY	1					
203	34221547400	GUARD	1					
221	34373201100	HARNES (JIB1,OVERWINDING)	1					
223	90280200600	NUT,FLANGE	48		M6			
226	82100002006	CLAMP	24		WR10			
227	90302040301	WASHER,SPRING	6		3			
228	80171303012	SCREW,MACHINE	4		M3X12			
229	90201200300	NUT	4		M3			
230	80171303005	SCREW,MACHINE	2		M3X5			
231	37001400140	SPRING	1					
242	34373202100	SUPPORT	1					
245	34373612100	SUPPORT	1					
246	14128208000	RING	1					
247	33370100310	SUPPORT	1					
264	42622705540	PLATE	1		T=6			
265	34496143400	SUPPORT	1					
267	34222021680	SUPPORT	1					
268	34222481530	PLATE	1					
269	34222481540	SUPPORT	1					
281	34221546101	SUPPORT	1					
282	34221546910	LINK (STEEL CAST)	1					
	34221546300	LINK (PLATE WORKING)	1					
283	37000175920	PIN	1					
284	80601110150	RING,RITAINING	2		15			
285	37000538540	PLATE	1		T=1.0			
286	90303071601	WASHER,PLAIN	1		16			
301	34221547310	SUPPORT	1					
302	90101208030	BOLT	2		M8X30			
303	90201200800	NUT	2		M8			

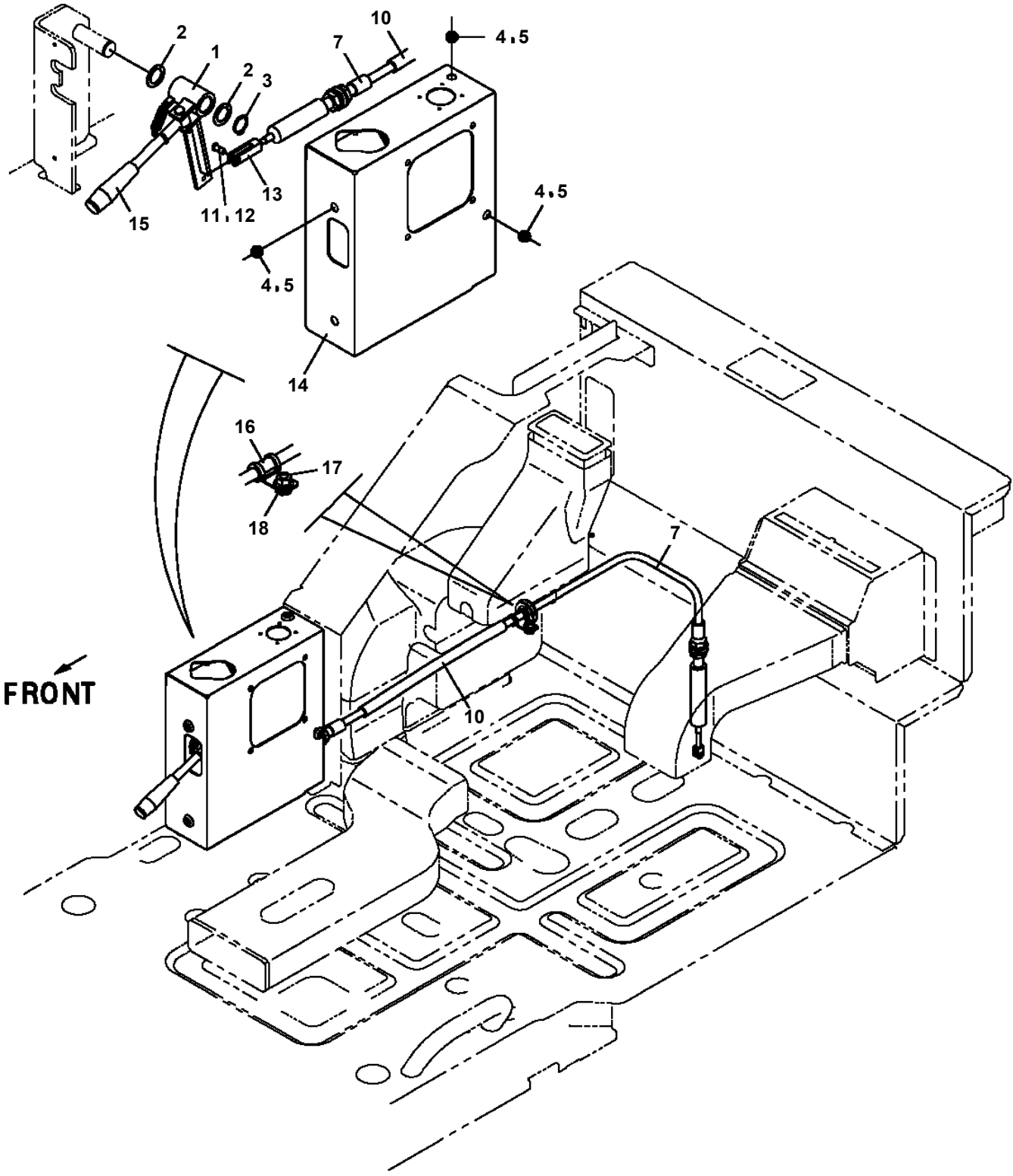
GR-700E-4-00101 5 BOOM + 2 JIB, 2M2D
PJ5090136-00 JOINT ASSY, SWIVEL



**GR-700E-4-00101 5 BOOM + 2 JIB, 2M2D
 PL5020153-00 LAMP ASSY (WITH REMOTE CONTROL SW)**



GR-700E-4-00101 5 BOOM + 2 JIB, 2M2D
PL5300029-00 LOCK ASSY, SWING



CLICK HERE TO **DOWNLOAD** THE COMPLETE MANUAL

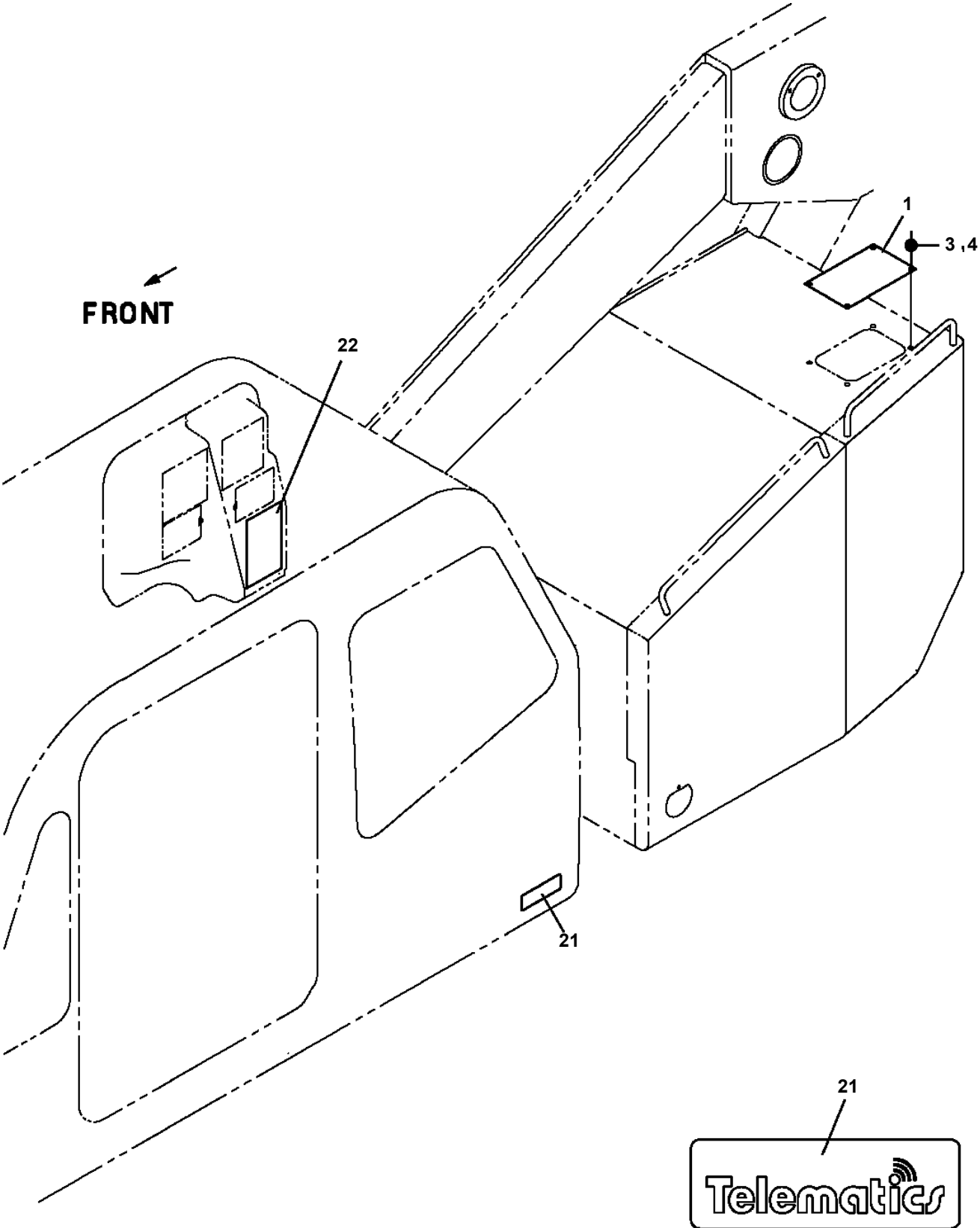
- Thank you very much for reading the preview of the manual.
- You can download the complete manual from: www.heydownloads.com by clicking the link below



- Please note: If there is no response to CLICKING the link, please download this PDF first and then click on it.

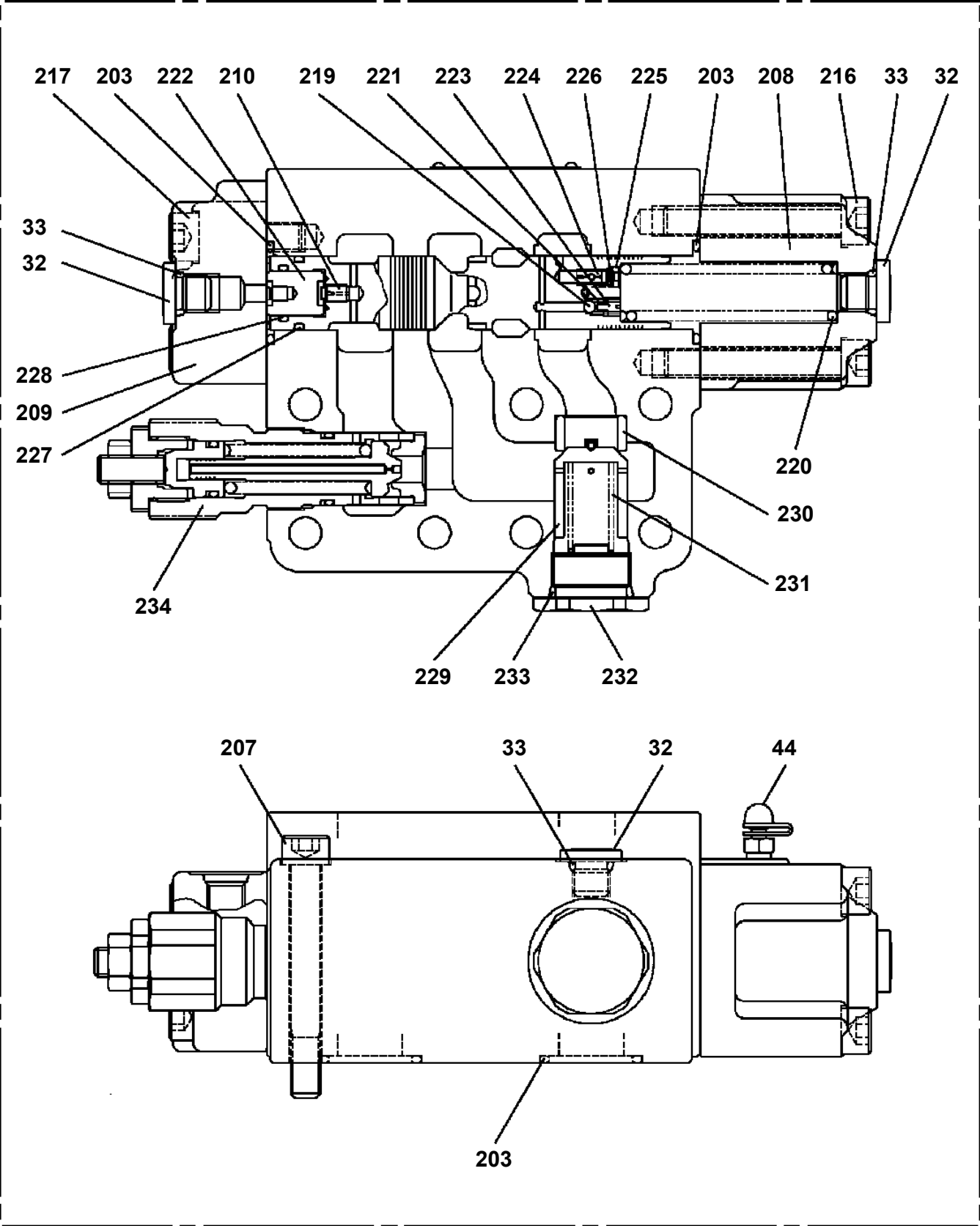
CLICK HERE TO **DOWNLOAD** THE COMPLETE MANUAL

GR-700E-4-00101 5 BOOM + 2 JIB, 2M2D
PM5151059-01 MODIFICATION ASSY (WITHOUT TELEMATICS)



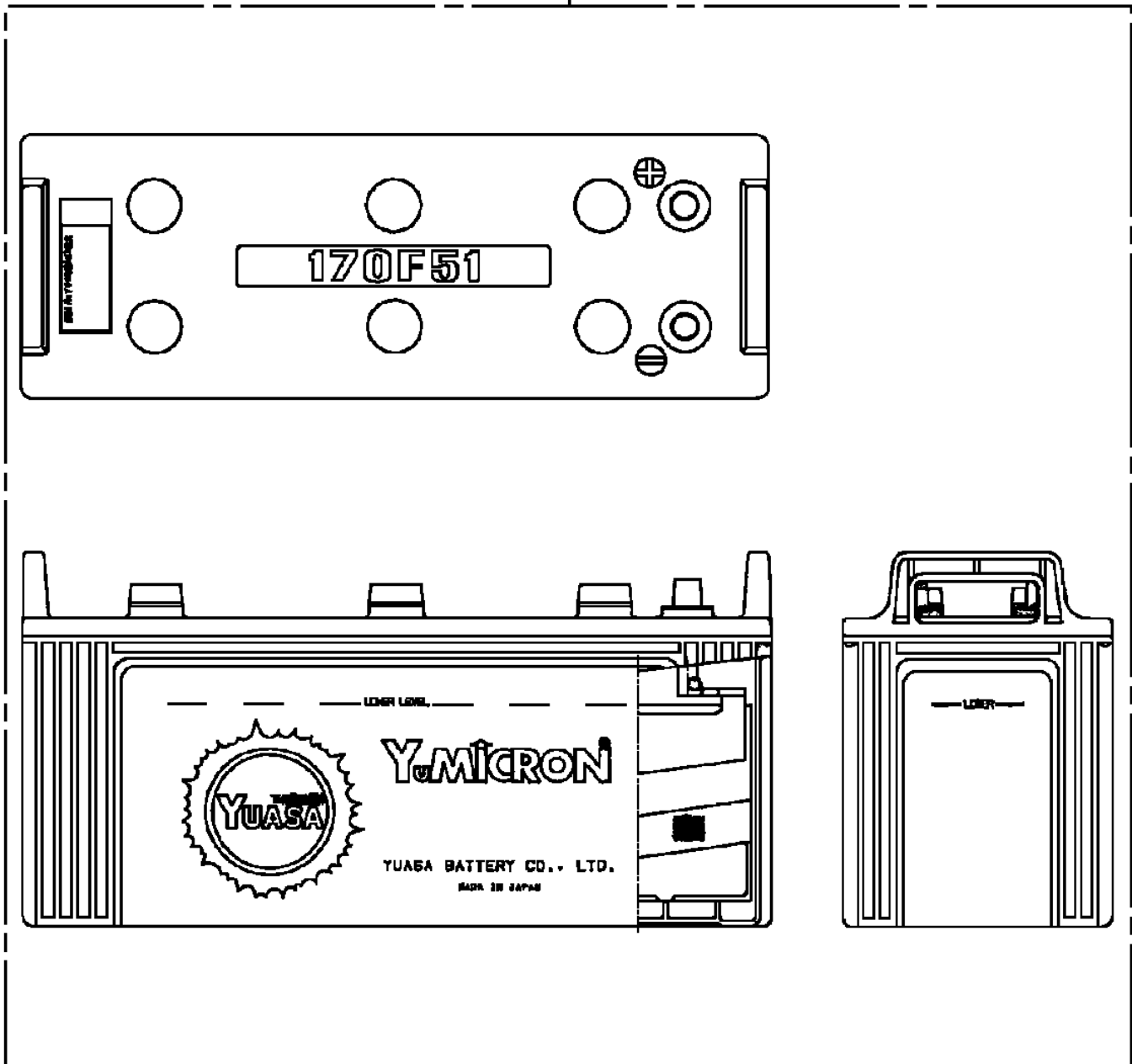
GR-700E-4-00101 5 BOOM + 2 JIB, 2M2D
PM5210004-00 MOTOR ASSY,OIL (WINCH)

700

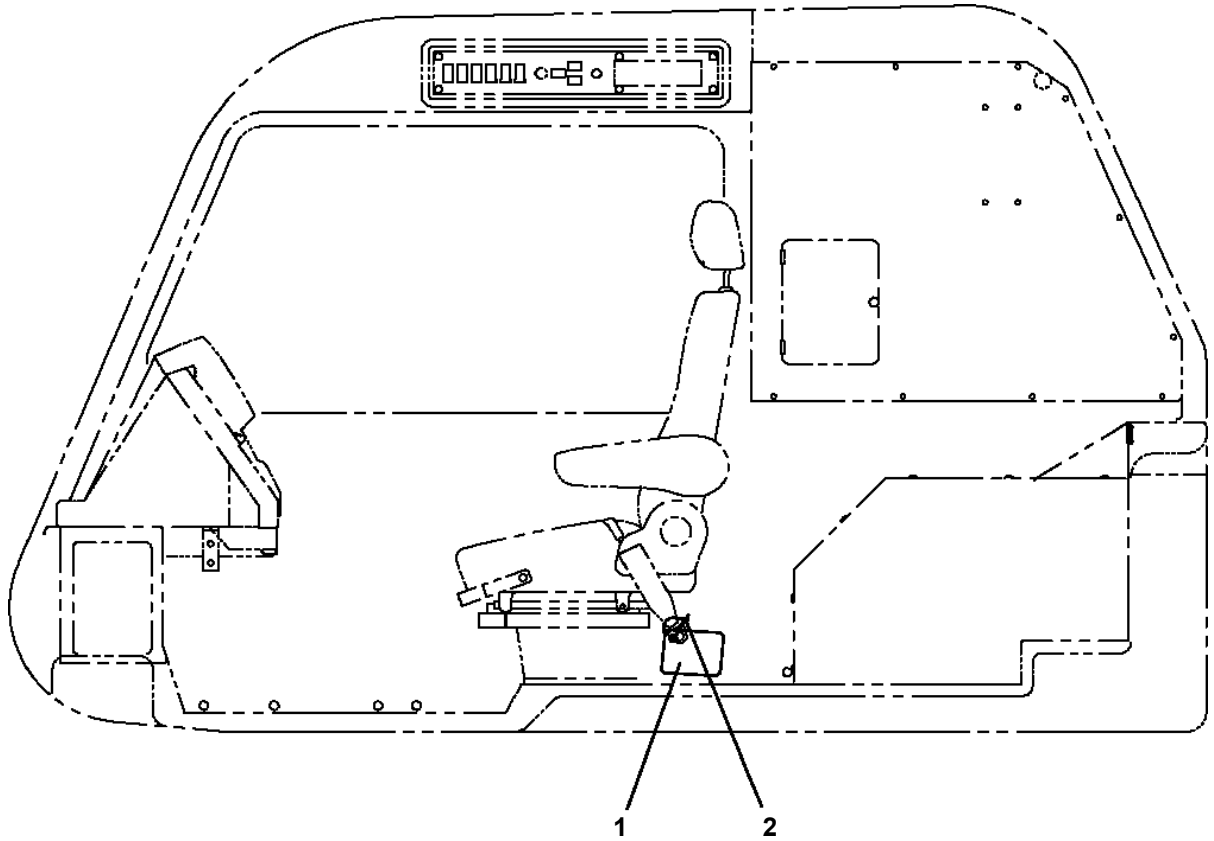


GR-700E-4-00101 5 BOOM + 2 JIB, 2M2D
PN1370121-00 BATTERY (YUASA,170F51)

1



**GR-700E-4-00101 5 BOOM + 2 JIB, 2M2D
 PN5010786-00 NAME PLATE ASSY (FILLING OIL DISTINCTION)**



1

OIL filled in the factory

Keep this list until next oil exchange

Hydraulic oil	Main Engine Oil ISO VG68-2R	ISO VG68	ISO VG100
Engine Oil	SAE 15W-40	SAE 15W-30	
Gear Oil in operator seat	SAE 90		
Gear Oil in main planetary gear	SAE 70W-90		
LLO (Main engine)	30W	40W	68W

*Grade and viscosity of oil depend on ambient temperature
or working condition.

*For further information, please refer to the manual or field to them
in operational manual.

370-020-34000

GR-700E-4-00101 5 BOOM + 2 JIB, 2M2D
PO5080335-00 OPE.ASSY,CONT.VALVE (ISO/VISUAL)

スタンドのバルブから集合ジョイントへ接続するホースについて それぞれのホース両端に下記マークを施すこと。 PUT THE FOLLOWING MARK FOR EACH HOSES BOTH ENDS TO A HOSE TO CONNECT FROM VALVE OF THE STAND TO A CONJUNCTION JOINT.		
項目/NAME	記号/SYMBOL	番号/ITEM
T	T	44
P	P	42
旋回 左 SWING LEFT	S2	43,38
旋回 右 SWING RIGHT	S1	43,37
起伏 上 DERRICK RAISE	D1	41,37
起伏 下げ DERRICK LOWER	D2	41,38
AUX.ウインチ下 (伸縮 伸) AUX.WINCH LOWER (TELE EXT)	W4	45,40
AUX.ウインチ上 (伸縮 縮) AUX.WINCH RAISE (TELE RET)	W3	45,39
メイン ウインチ上 MAIN WINCH RAISE	W1	45,37
メイン ウインチ下 MAIN WINCH LOWER	W2	45,38
起伏 上 (ペダル) RAISING (PEDAL)	D3	41,39
起伏 下 LOWERING (PEDAL)	D4	41,40
伸縮 伸 (ペダル) EXTEND (PEDAL)	T1	44,37
伸縮 縮 (ペダル) RETRACT (PEDAL)	T2	44,38

GR-700E-4-00101 5 BOOM + 2 JIB, 2M2D

Pos No.	Parts No	Parts Name	Qty	Unit	Technical Data	Serial No (Start)	Serial No (End)	Remarks
1	34272642100	COVER (NON SLIP)	1				RA0854	
	34272642101	COVER (NON-SLIP)	1			RA0855		
2	34272642200	COVER ASSY (NON SLIP)	1					
3	34272642300	COVER (NON SLIP)	1				RA0854	
	34272642301	COVER (NON-SLIP)	1			RA0855		
4	34272640400	COVER	1				RA0854	
	34272640401	COVER	1			RA0855		
5	34272681000	COVER	1				RA0854	
	34272681001	COVER	1			RA0855		
6	34272682000	COVER	1					
7	34272000601	COVER	1					
8	34272640700	SUPPORT	1					
9	34272640800	SUPPORT	1				RA0854	
	34272640801	SUPPORT	1			RA0855		
10	34272640900	SUPPORT	1					
11	34694253600	GRIP	1					
12	34272641000	COVER	1					
13	37010502600	PLATE	1					
14	34272641100	COVER	1					
15	34272641200	STEP	1					
16	34272641300	STEP	1					
17	90186208014	BOLT,FLANGE	4		M8X14			
18	90303070801	WASHER,PLAIN	4		8			
19	90186210020	BOLT,FLANGE	65		M10X20		RA0854	
	90186210020	BOLT,FLANGE	67		M10X20	RA0855		
20	37000505950	PLATE	51		T=3.2		RA0854	
	37000505950	PLATE	53		T=3.2	RA0855		
21	90280201000	NUT,FLANGE	1		M10			
22	90303071001	WASHER,PLAIN	5		10			
51	82400000310	GROMMET	1		L=1000			

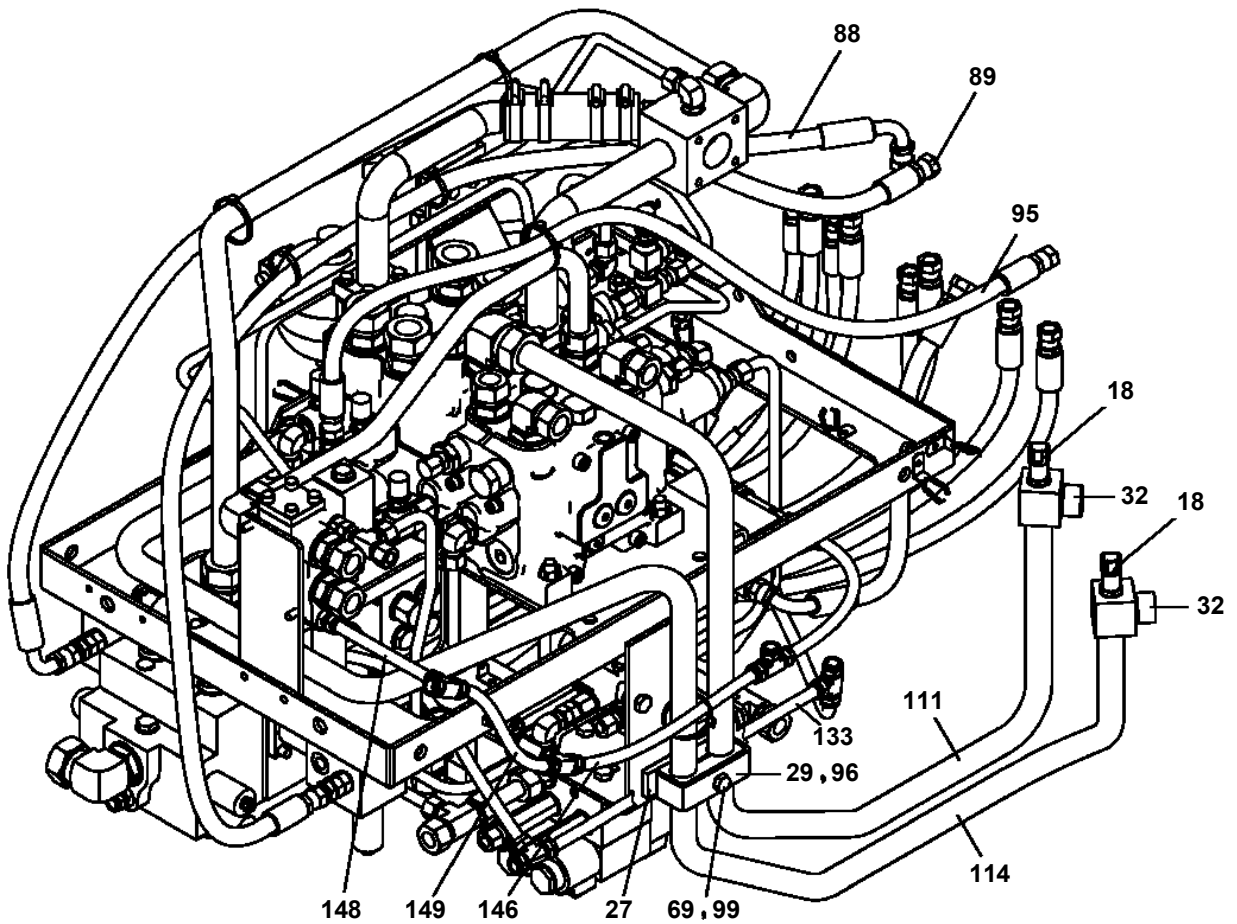
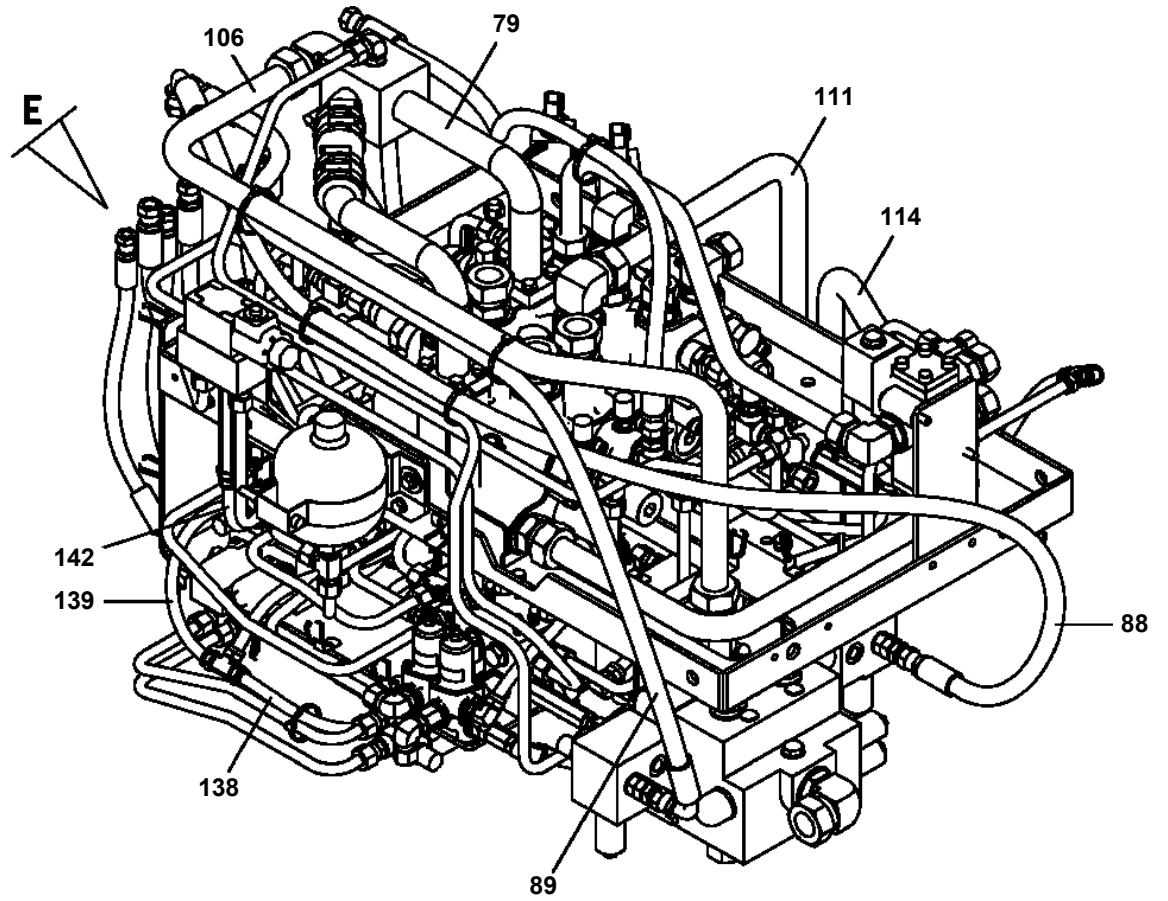
GR-700E-4-00101 5 BOOM + 2 JIB, 2M2D

Pos No.	Parts No	Parts Name	Qty	Unit	Technical Data	Serial No (Start)	Serial No (End)	Remarks	Pages
1	36097360401	PIN	1						
2	36096732400	LEVER	1						
3	82400000591	RING	1						
4	82400000592	CHAIN	1	M					
5	82400000321	RING	1						
100	36097360301	PIN ASSY	1						

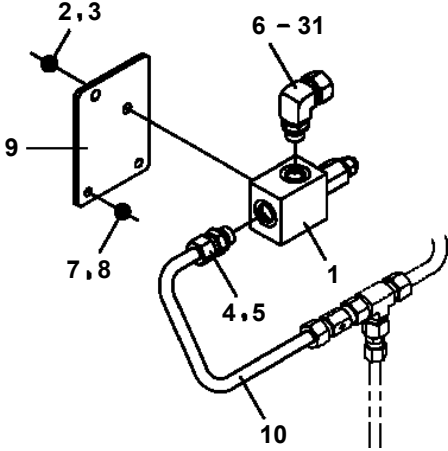
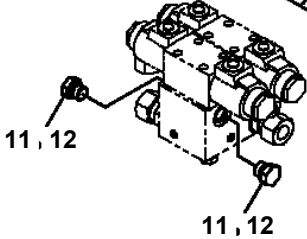
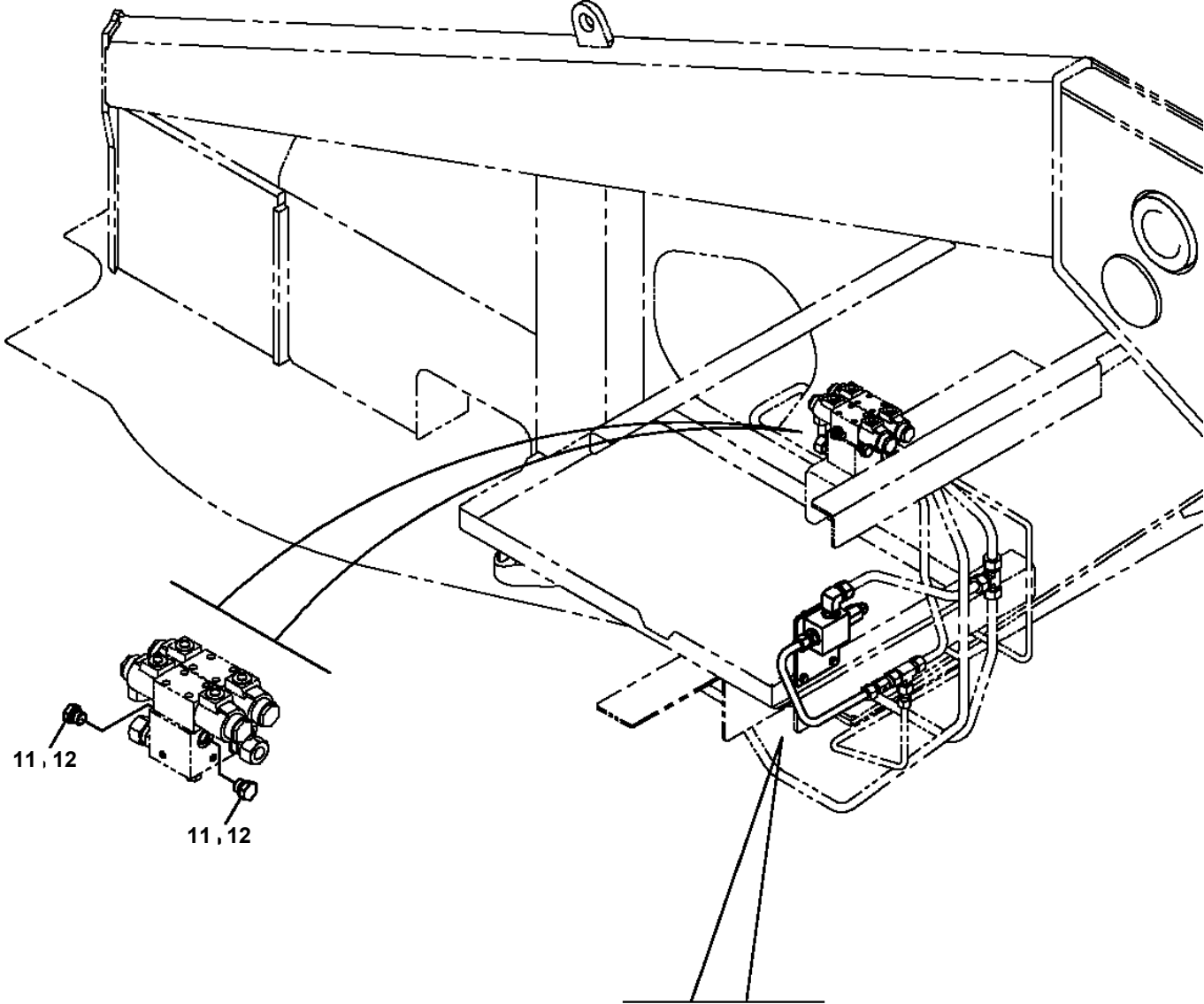
GR-700E-4-00101 5 BOOM + 2 JIB, 2M2D

Pos No.	Parts No	Parts Name	Qty	Unit	Technical Data	Serial No (Start)	Serial No (End)
145	91002801100	O-RING	4		1B P11		
146	91002802600	O-RING	2		1B P26		
147	91002903500	O-RING	2		1B G35		
148	90203200800	NUT	2		M8		
149	36654505040	NUT	2				
150	80601110100	RING,RETAINING	2		S10		
152	80602110150	RING,RETAINING	4				
159	36650835710	SCREW,SET	2				
201	36654535040	PUMP,ROTARY (L.KIT)	1				
202	36654535050	PUMP,ROTARY (R.KIT)	1				
500	36654530001	PUMP ASSY,OIL (MAIN)	1				

GR-700E-4-00101 5 BOOM + 2 JIB, 2M2D
PP6010604-01 PIPING ASSY (UNIT)



GR-700E-4-00101 5 BOOM + 2 JIB, 2M2D
PP6010605-00 PIPING ASSY (WEIGHT REMOVE-LESS)



GR-700E-4-00101 5 BOOM + 2 JIB, 2M2D

Pos No.	Parts No	Parts Name	Qty	Unit	Technical Data	Serial No (Start)	Serial No (End)
63	90186208020	BOLT,FLANGE	4		M8X20		
64	37002516500	HOSE	1		L=200		
65	37002516490	HOSE	1		L=175		
66	91803880110	CLIP	4		D=10.0-12.2		
67	36647450000	VALVE,SOLENOID	1				
68	37000903930	FITTING	1		S,R1/4-M16		
69	37000901290	FITTING,ELBOW	4		L,R1/4-6.35		
70	34921111001	SUPPORT	1				
71	36101940000	TANK,BRAKE FLUID	1				
72	34921313000	TANK,BRAKE FLUID	1				
73	90186206020	BOLT,FLANGE	4		M6X20		
74	90280200600	NUT,FLANGE	4		M6		
75	91810130250	FASTENER	1				
76	34340990300	WIRE	1				
77	90186206014	BOLT,FLANGE	2		M6X14		
78	37000903940	FITTING	1		S,R3/8-M20		
79	37000932130	JOINT	1		R1/2-RC3/8-3/8		
80	37000918060	JOINT,BUSHING	1		S R1/4-RC1/8		
81	37000932750	PLUG	1		R1/8		
82	90101208080	BOLT	2		M8X80		
83	37000915760	JOINT	2				
84	90303381601	WASHER	2		M16		
85	34923776040	TUBE ASSY	1		10XT1.25 L=450		
104	37000923290	JOINT	1		S,R3/8-R1/4	RA0774	
112	37000904840	NUT,FLARE	2		M20		
132	37000904830	NUT,FLARE	4		M16		
152	37000904810	NUT,FLARE	2		M12		

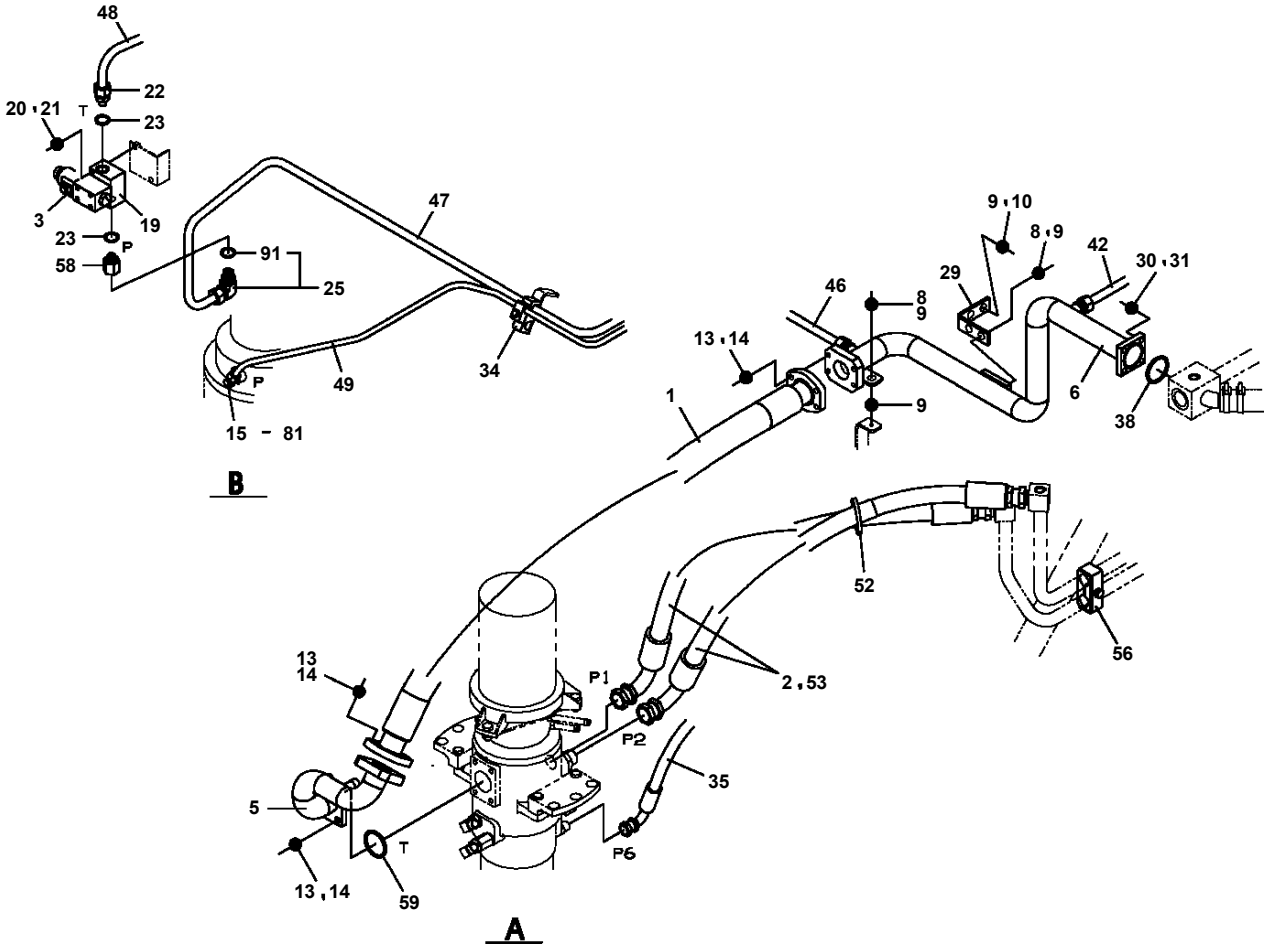
GR-700E-4-00101 5 BOOM + 2 JIB, 2M2D

Pos No.	Parts No	Parts Name	Qty	Unit	Technical Data	Serial No (Start)	Serial No (End)
1	36671270000	FILTER,OIL (TORQUE CONVERTER)	1				
3	34922520100	FITTING,FLANGE	1				
4	80430451650	JOINT	1				
5	80434508080	JOINT	3		L,G1,G1		
6	80400160135	JOINT	2				
7	80400160137	JOINT	1				
8	80430471650	JOINT	1		45,R1-G1		
9	37000912850	JOINT	1		S,G1-G11/4		
10	80400160129	JOINT	2				
11	80471020503	JOINT	1		45,G3/8-G3/8		
12	37000913040	JOINT (WITH O-RING)	2		L,G1-G3/4		
13	37000925030	JOINT	1		PF3/8-PF3/8		
14	80481103030	JOINT	1		L,G3/8-G3/8		
15	80471020506	JOINT	1		45,G3/4-G3/4		
16	80481110100	JOINT	1		L,G1-1/4,G1-1/4		
18	91067101400	O-RING	5		P14		
19	91067102400	O-RING	1		P24		
20	91067102900	O-RING	8		P29		
21	91067103800	O-RING	2		P38		
22	91067204000	O-RING	1		G40		
23	37002459600	HOSE	1		L=1600		
24	37002460930	HOSE	1		L=3100 TO 3250		
25	37002487190	HOSE	1		L=1550		
26	37002490390	HOSE	1		L=2290		
27	37002484840	HOSE	1		L=680		
28	37012401270	HOSE	1		L=2560		
29	37002408900	HOSE	1		L=2000		
30	37002490400	HOSE	1		L=1720		
31	37002461060	HOSE	1		L=1600		
32	91860100045	CLAMP	3		KCR-W45		
33	91860100040	CLAMP	2		KCR-W40		
34	91860100035	CLAMP	16		KCR-W35		
35	91860100020	CLAMP	4		KCR-W20		
36	82100002040	CLAMP	1		WE15		
37	90186208035	BOLT,FLANGE	1		M8X35		
38	90186208025	BOLT,FLANGE	10		M8X25		
39	90186210020	BOLT,FLANGE	2		M10X20		
40	90280200800	NUT,FLANGE	29		M8		
41	91810132530	FASTENER	7				
42	82100002535	TUBE, SPIRAL	N		SE-29BK		
43	90186210030	BOLT,FLANGE	4		M10X30		
45	91810160020	HOLDER	1				
46	91810130290	FASTENER	2		L=470		

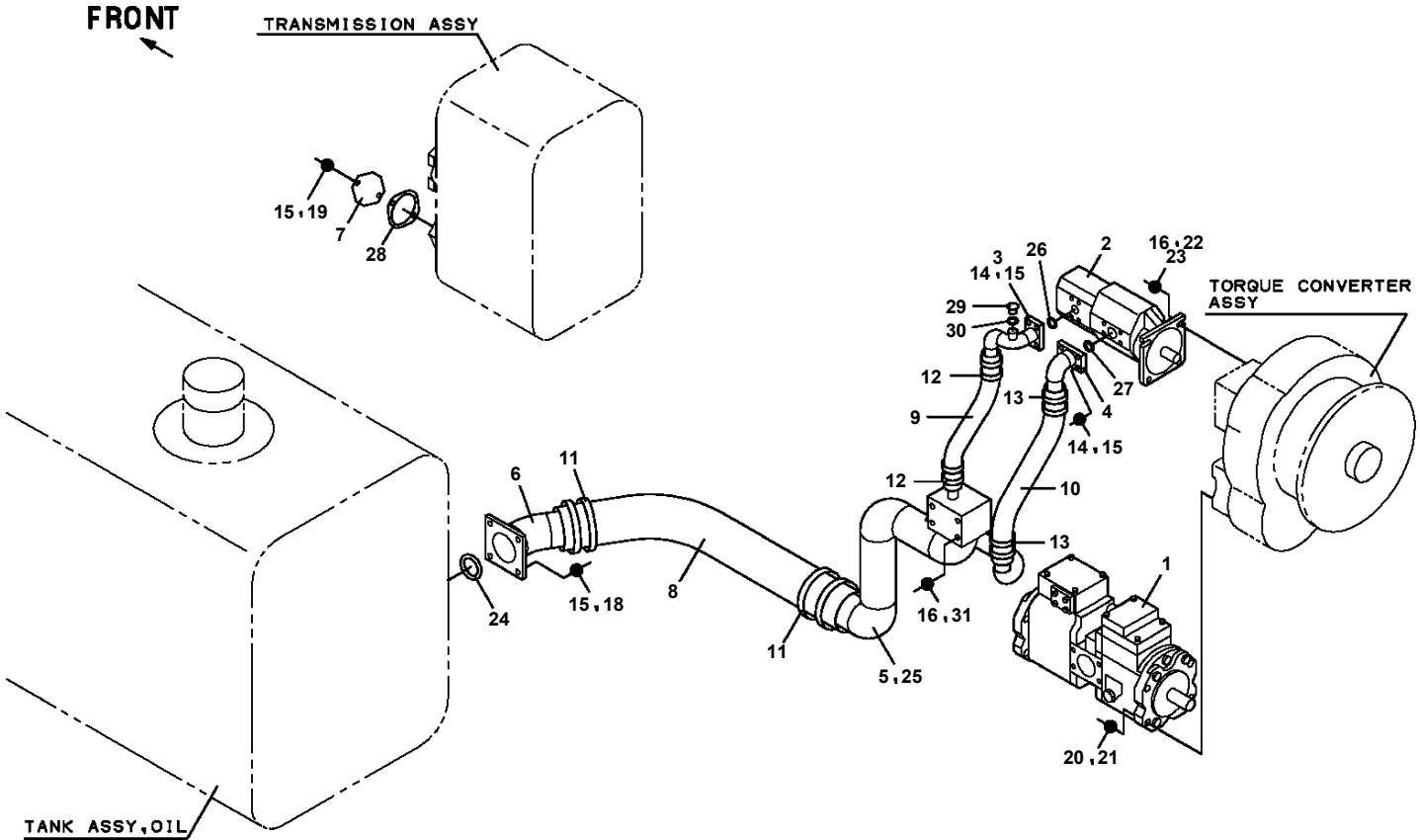
GR-700E-4-00101 5 BOOM + 2 JIB, 2M2D

Pos No.	Parts No	Parts Name	Qty	Unit	Technical Data	Serial No (Start)	Serial No (End)	Remarks	Pages
1	37000701510	CLAMP ASSY	6		12X2				
2	37002431560	HOSE	2		L=1000				
3	80320010080	FITTING	4		KUD12-030N				
4	80301010100	FITTING	4		KUA12-000N				
5	37000300740	SLEEVE	4		18-12				
6	37012406450	HOSE	2		L=920				
7	37000713120	CLAMP ASSY	1		18X4				
8	81408000160	PIPE,STEEL	2	M	12X1.4T				
9	81408000160	PIPE,STEEL	3	M	12X1.4T				
10	81408000160	PIPE,STEEL	2	M	12X1.4T				
11	81408000160	PIPE,STEEL	3	M	12X1.4T				
12	81408000160	PIPE,STEEL	2	M	12X1.4T				
13	81408000160	PIPE,STEEL	2	M	12X1.4T				
14	81408000160	PIPE,STEEL	1	M	12X1.4T				
15	81408000160	PIPE,STEEL	2	M	12X1.4T				

GR-700E-4-00101 5 BOOM + 2 JIB, 2M2D
PP6270130-00 PIPING ASSY,RETURN (UPPER)



**GR-700E-4-00101 5 BOOM + 2 JIB, 2M2D
PP6300035-00 PIPING ASSY,SUCTION**



GR-700E-4-00101 5 BOOM + 2 JIB, 2M2D

Pos No.	Parts No	Parts Name	Qty	Unit	Technical Data	Serial No (Start)	Serial No (End)	Remarks	Pages
1	37012409020	HOSE	1		L=12200				
2	36673830000	REEL ASSY,HOSE	1						00028
100	34347484500	REEL ASSY,HOSE	1						

GR-700E-4-00101 5 BOOM + 2 JIB, 2M2D

Pos No.	Parts No	Parts Name	Qty	Unit	Technical Data	Serial No (Start)	Serial No (End)	F
1	34932276110	PLATE	1					
2	82400000202	GROMMET	2					
3	34354781710	RELAY (WITH BRACKET)	20					
4	80197586012	SCREW,MACHINE	20		M6X12			
5	34350003350	PLATE	1					
6	82100000640	TERMINAL,BASE	1					
7	80192483016	SCREW,MACHINE	2		M3X16			
8	82114214082	CONNECTOR	1					
9	82111207051	TERMINAL (MAIL)	4					
11	82100001404	TERMINAL	4					
12	82100001219	INSULATOR	4					
14	82181024271	RESISTANCE	1					
15	82181314620	RESISTANCE	1					
17	80192483010	SCREW,MACHINE	2		M3X10			
18	34351571350	RELAY ASSY (WITH CONNECTOR)	1					
20	82161324080	RELAY	1					
21	80197585012	SCREW,MACHINE	1		M5X12			
100	34932276100	RELAY ASSY	1					

GR-700E-4-00101 5 BOOM + 2 JIB, 2M2D

Pos No.	Parts No	Parts Name	Qty	Unit	Technical Data	Serial No (Start)	Serial No (End)	R
1	37001809170	ROPE,WIRE (KISWIRE/NON-SPIN)	1					

GR-700E-4-00101 5 BOOM + 2 JIB, 2M2D

Pos No.	Parts No	Parts Name	Qty	Unit	Technical Data	Serial No (Start)	Serial No (End)	Remarks	Pages
11	36610275020	O-RING	1		AS568-908				
13	36611425010	PLUG	1						
14	36610275040	O-RING	2						
15	36610385010	SPRING	1						
17	36610275060	PLUG	1						
50	36611420000	VALVE,PRIORITY	1						

GR-700E-4-00101 5 BOOM + 2 JIB, 2M2D

Pos No.	Parts No	Parts Name	Qty	Unit	Technical Data	Serial No (Start)	Serial No (End)	Remarks
1	36303425010	CROSS JOINT	2					
3	37001510920	BOLT	16		M12X53			
11	36303425020	NIPPLE,GREASE	2					
21	36303575020	SEAL,SHAFT	1					
22	36303235050	NIPPLE,GREASE	1					
100	36304181000	SHAFT ASSY,PROPELLER	1					

GR-700E-4-00101 5 BOOM + 2 JIB, 2M2D

Pos No.	Parts No	Parts Name	Qty	Unit	Technical Data	Serial No (Start)	Serial M
1	34640791200	JOINT	1				
2	91002802400	O-RING	8		1B P24		
3	37000711030	CLAMP ASSY	1		22X1		
4	91002801100	O-RING	1		1B P11		
5	36653520000	PUMP,HYDRAULIC (EMERGENCY STEERING)	1				
6	34640271700	GASKET	1				
10	80302090281	FITTING	3		KCO22-060N		
11	81408000290	PIPE,STEEL	1	M	22X2.5T		
14	36640830000	VALVE,HYDRAULIC	1				
15	34640272300	JOINT	1		G3/4		
16	80316100020	PLUG	1		GP 1/4		
17	80441030904	FITTING,ELBOW (WITH O-RING)	1		L,G1/4-12.7		
20	37002509860	HOSE	1		L=460		
21	37002510560	HOSE	1		L=620		
22	81408000290	PIPE,STEEL	1	M	22X2.5T		
23	91803600400	CLIP	8		D=27-40		
25	37000910010	JOINT	2		G3/4-25		
26	81408000290	PIPE,STEEL	1	M	22X2.5T		
28	80400160126	FITTING,TEE	1		20364-U1/2		
29	80320030180	FITTING,ELBOW	2		KLE22-060N		
30	37002432010	HOSE	1		L=450		
33	90186210020	BOLT,FLANGE	3		M10X20		
34	80320010180	FITTING	1		KUD22-060N		
35	80471020506	JOINT	1		45,G3/4-G3/4		
36	89640101000	HOSE	1		880-NFK,1M		
37	90303071001	WASHER,PLAIN	2		10		
38	90302041001	WASHER,SPRING	2		10		
39	90174110030	BOLT	2		M10X30		
40	36605200020	PLUG	1				
41	91002801400	O-RING	1		1B P14		
44	91810130290	FASTENER	4		L=470		
45	91810160020	HOLDER	2				
46	37002490380	HOSE	1		L=470		
71	91002801100	O-RING	1		1B P11		

GR-700E-4-00101 5 BOOM + 2 JIB, 2M2D

Pos No.	Parts No	Parts Name	Qty	Unit	Technical Data	Serial No (Start)	Serial No (End)	Remarks	Pages
1	34694255400	STEP	1						
2	34694245550	STEP	1						
3	34693541951	PLATE	2						
4	37010501281	PLATE	4						
5	90186210035	BOLT,FLANGE	8		M10X35				
6	90280201000	NUT,FLANGE	8		M10				
100	34694253400	STEP ASSY	1						

GR-700E-4-00101 5 BOOM + 2 JIB, 2M2D

Pos No.	Parts No	Parts Name	Qty	Unit	Technical Data	Serial No (Start)	Serial No (End)	Remarks	Pages
1	34447472100	SUPPORT	1						
2	34447472300	SUPPORT	1						

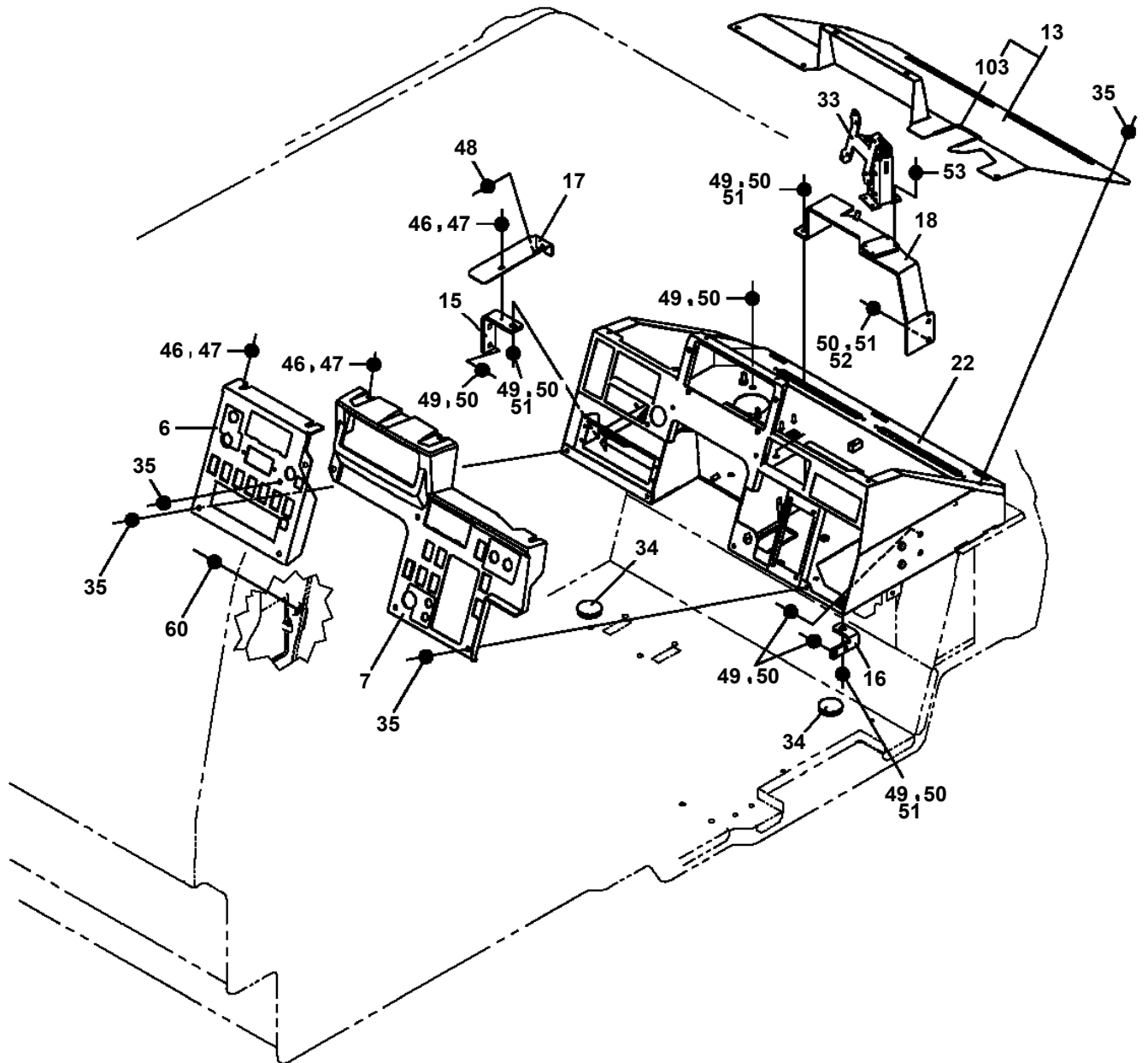
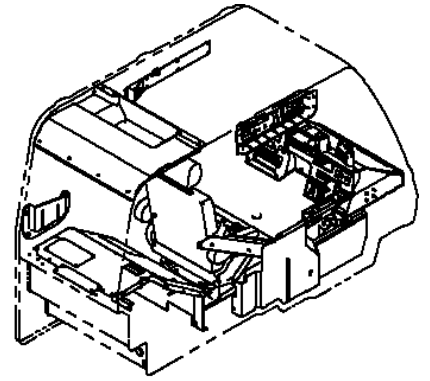
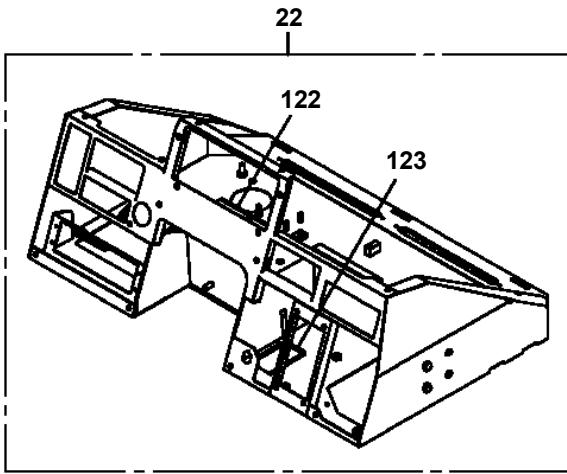
GR-700E-4-00101 5 BOOM + 2 JIB, 2M2D

Pos No.	Parts No	Parts Name	Qty	Unit	Technical Data	Serial No (Start)	Serial No (End)	Remarks	Pages
1	34231870090	PLATE	2						
2	34231870120	PLATE	1						
3	34231870130	PLATE	1						

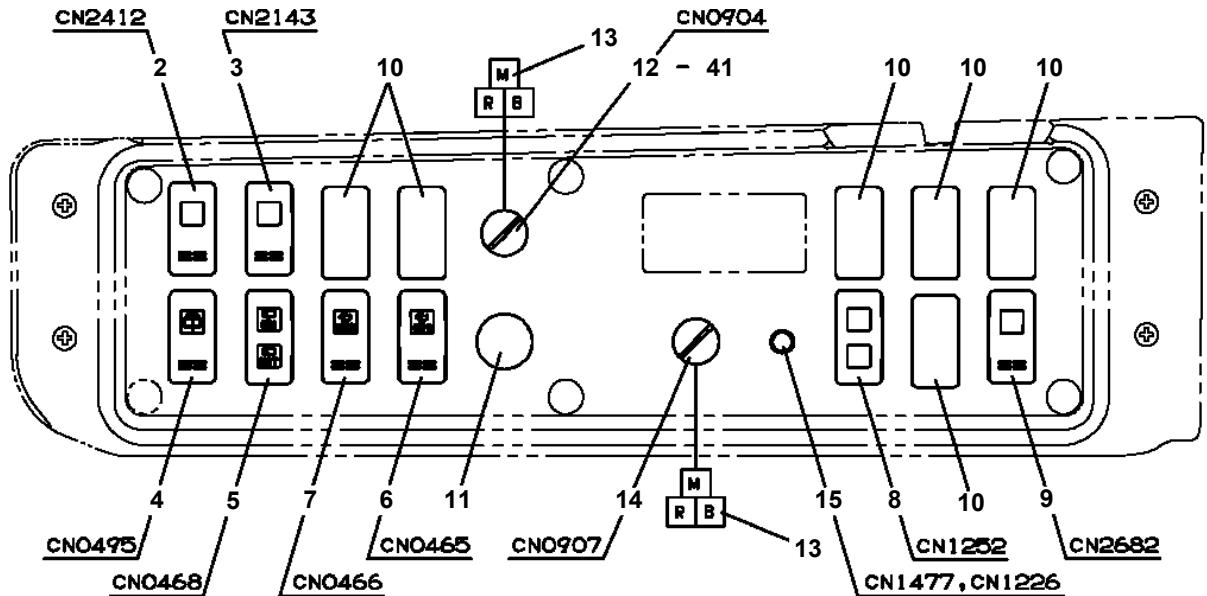
GR-700E-4-00101 5 BOOM + 2 JIB, 2M2D

Pos No.	Parts No	Parts Name	Qty	Unit	Technical Data	Serial No
1	34222610210	SUPPORT	1			
3	34221921300	LINK	1			
4	36054280001	CYLINDER ASSY (QUICK TURN JIB,PISTON:PACKING ASSY)	1			
	36052060001	CYLINDER ASSY (QUICK TURN JIB,IP)	1			
	36051220002	CYLINDER ASSY (QUICK TURN JIB,PISTON WPB)	1			
5	37000141460	PIN	1			
6	90171110016	BOLT	3		M10X16	
7	90302041001	WASHER,SPRING	3		10	
8	90303071001	WASHER,PLAIN	3		10	
9	37000151100	PIN	1			
10	37000146300	PIN	1			
11	34222810300	PIN	1			
12	37001200470	SPRING	1			
13	34221481470	SUPPORT	1			
14	14121856000	PIN	1			
15	80136320015	PIN,SPLIT	2		2X15	
16	90303070801	WASHER,PLAIN	2		8	
41	37000111390	PIN	2			
51	14117513000	PIN,SNAP	2			

GR-700E-4-00101 5 BOOM + 2 JIB, 2M2D
PS5520050-01 SWING TABLE ASSY

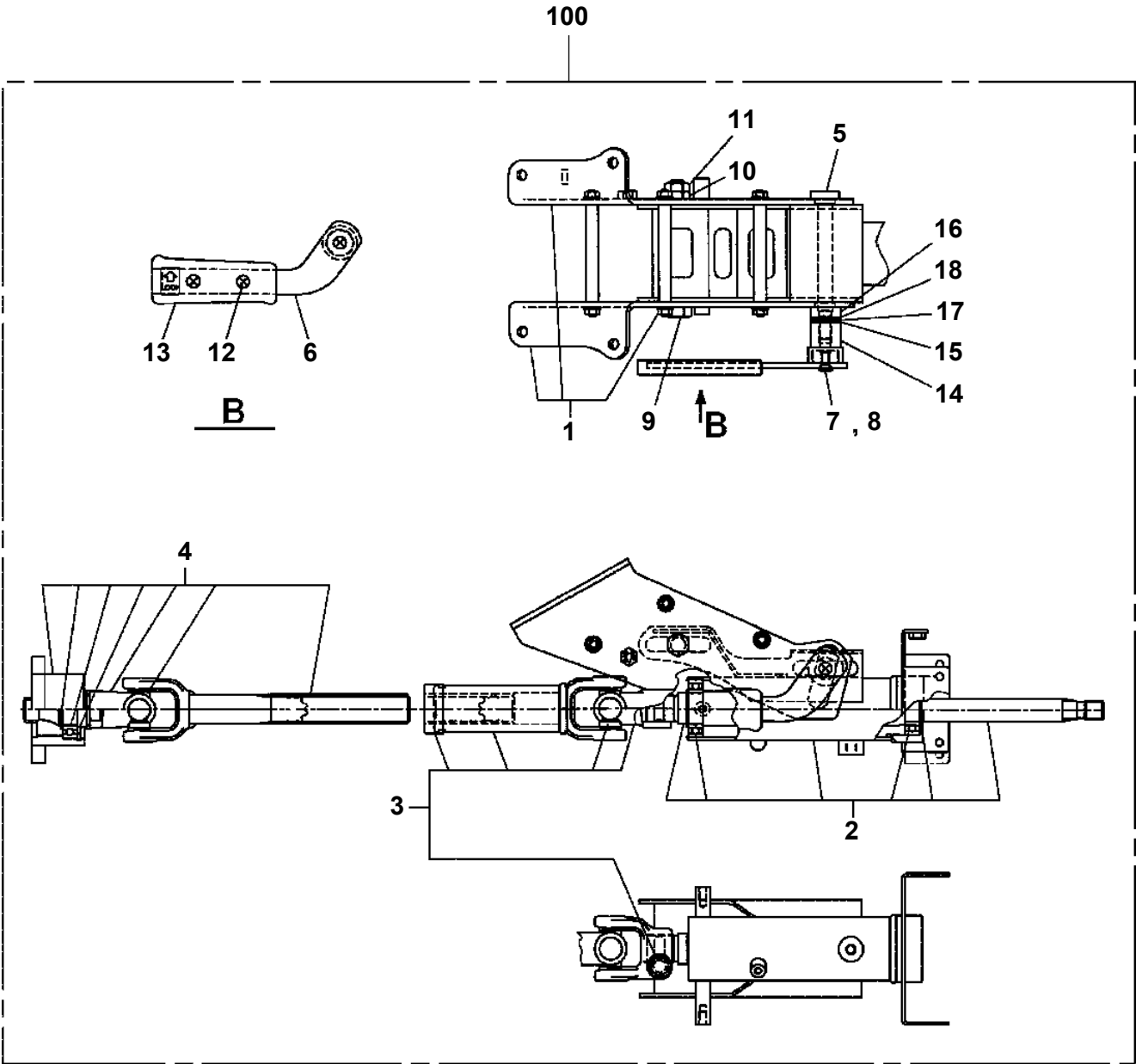


GR-700E-4-00101 5 BOOM + 2 JIB, 2M2D
 PS5530485-00 SWITCH ASSY (3)

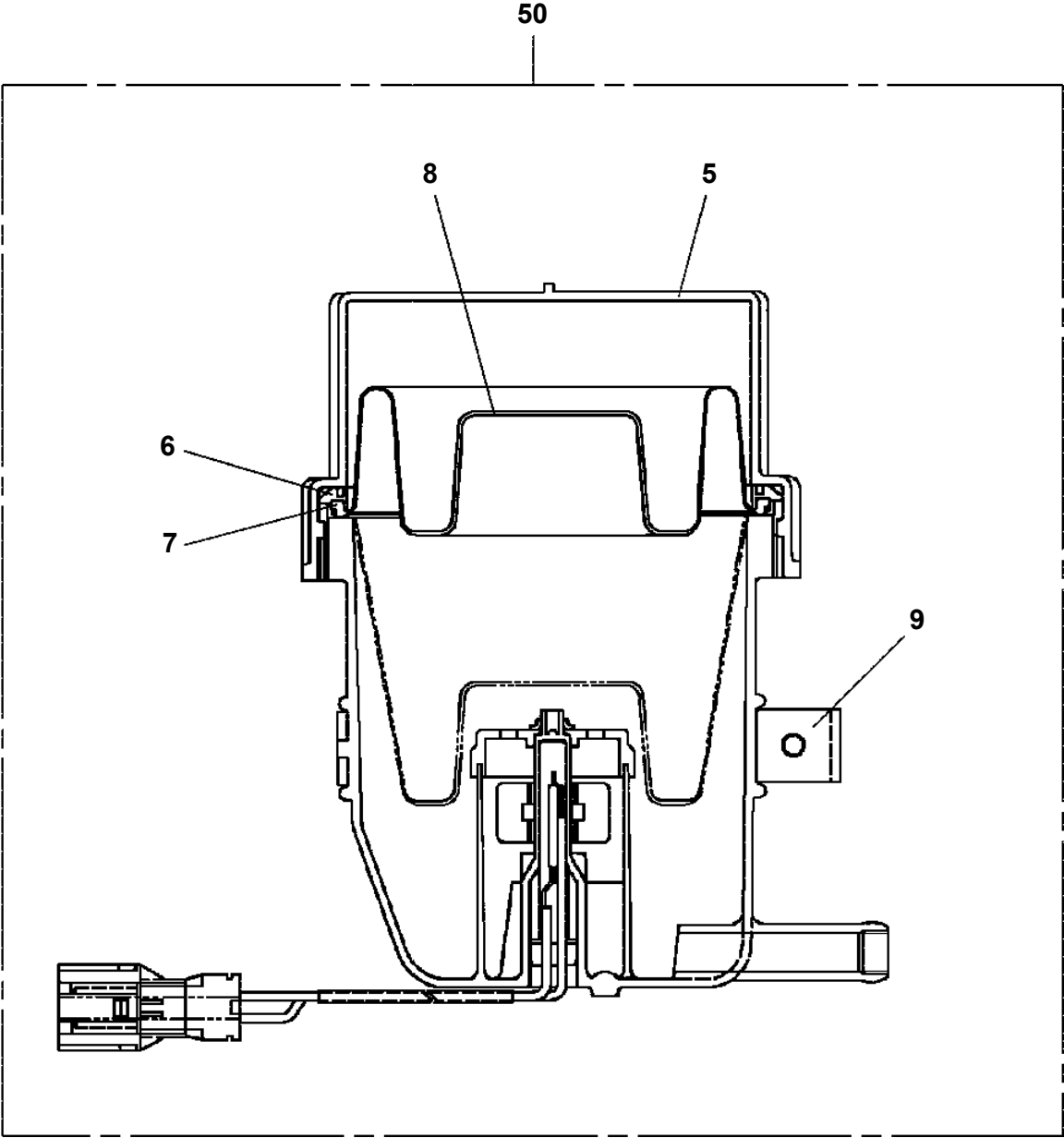


ITEM No.	CN No.	Part name (JPN)	Part Name (ENG)
2	CN2412	2段目非常伸縮操作SW	2nd boom telescoping operation SW
3	CN2413	3段目-トップブーム非常伸縮操作SW	3rd-top boom telescoping operation SW
4	CNO495	ルーフウォッシャSW	Roof washer SW
5	CNO468	ルーフワイパSW	Roof wiper SW
6	CNO465	主巻ウインチ高速巻下げ切替SW	MAIN winch high-speed hoist-down select SW
7	CNO466	補助ウインチ高速巻下げ切替SW	AUX winch high-speed hoist-down select SW
8	CN1252	キャブチルトSW	Cab tilt SW
9	CN2682	ポンプストップ 有効 SW	Pump stop enable SW
12	CNO904	ジブ状態選択SW	Jib status SW
14	CNO907	O/R状態非常設定SW C/W状態非常設定SW (C/W着脱可能機種のみ、 C/W状態非常設定スイッチを兼ねる)	O/R status emergency set SW C/W status emergency set SW (The model which is available for mounting or dismantling of O/R status emergency set SW)
15	CN1477 CN1226	キャブチルト警告灯 キャブローテート警告灯	Cab tilt warning lamp Cab rotate warning lamp

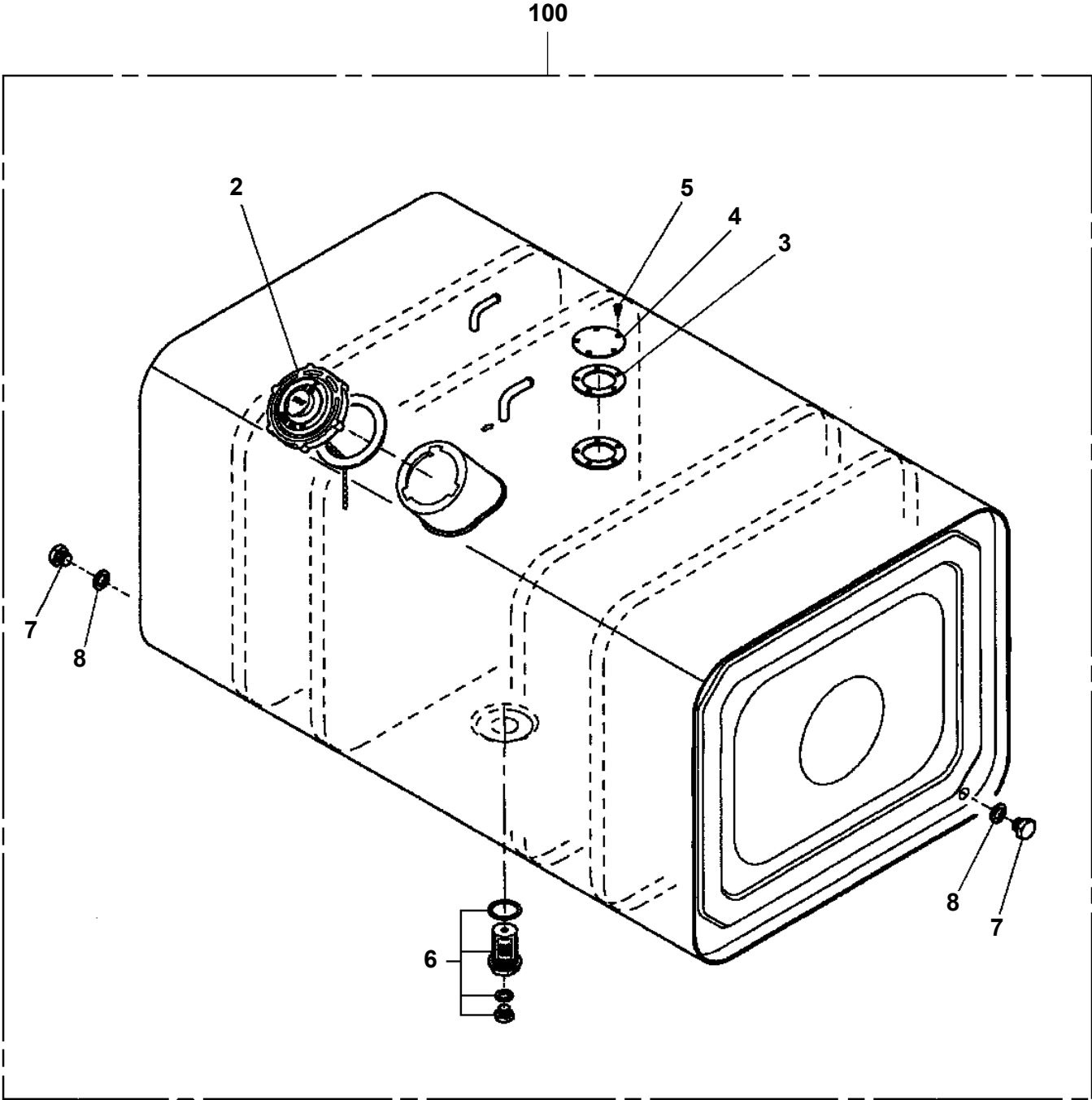
GR-700E-4-00101 5 BOOM + 2 JIB, 2M2D
PS5580004-00 SHAFT (STEERING)



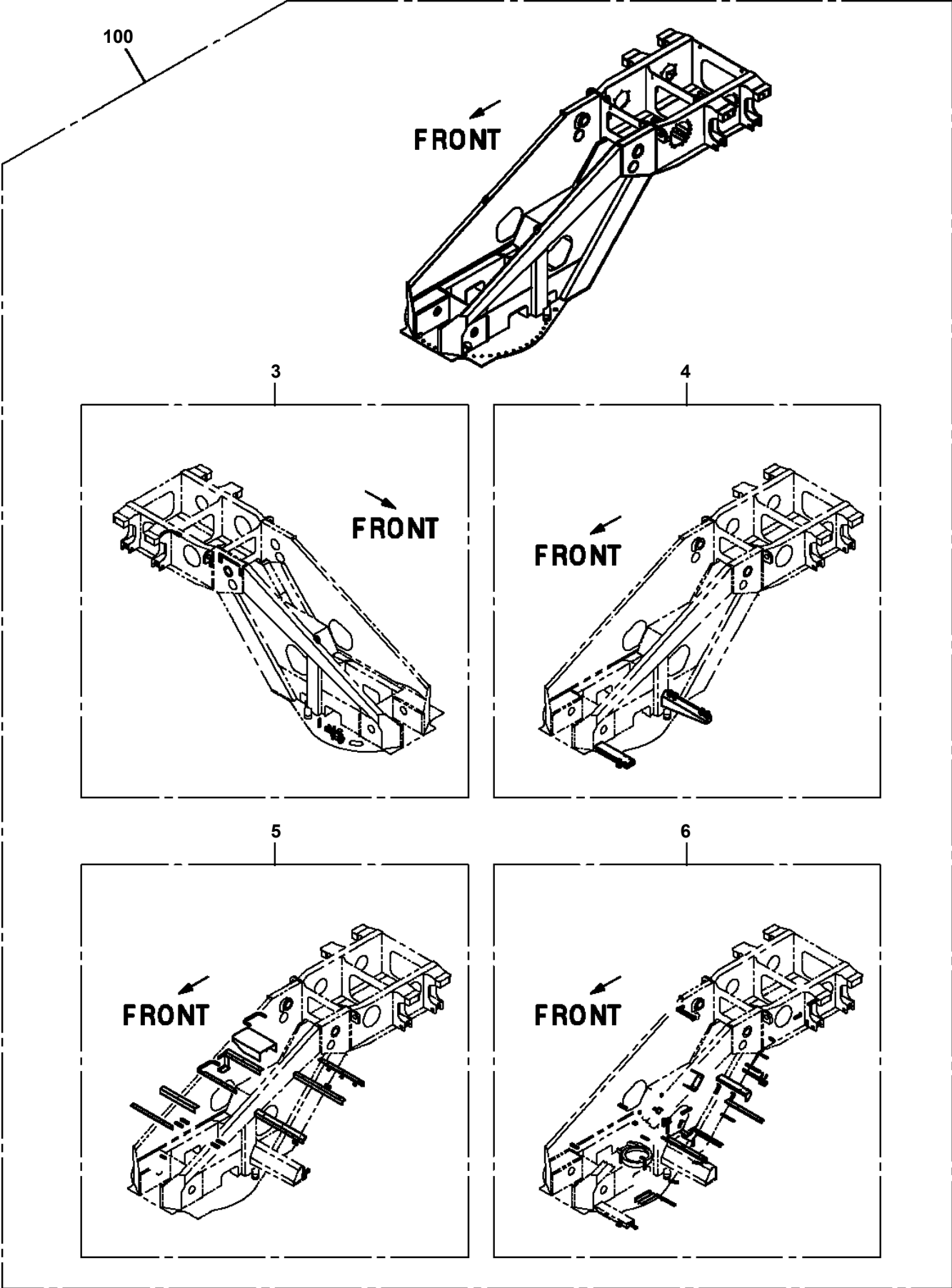
GR-700E-4-00101 5 BOOM + 2 JIB, 2M2D
PT1260003-03 TANK,BRAKE FLUID



GR-700E-4-00101 5 BOOM + 2 JIB, 2M2D
PT5080003-00 TANK ASSY,FUEL (300L)



GR-700E-4-00101 5 BOOM + 2 JIB, 2M2D
PT5340023-00 TABLE, SLEWING



GR-700E-4-00101 5 BOOM + 2 JIB, 2M2D

Pos No.	Parts No	Parts Name	Qty	Unit	Technical Data	Serial No (Start)	Serial No (End)	Rem
137	36370415290	PLUG	3					
138	36370415280	PLUG	1					
139	36370295040	BAND,MARK (0)	13					
140	36370295100	BAND,MARK (1)	2					
141	36370295050	BAND,MARK (2)	2					
142	36370295110	BAND,MARK (3)	2					
143	36350455520	BAND,MARK	8					
144	36370295060	BAND,MARK (5)	1					
151	80601110650	RING,RITAINING	3		S65			
152	36370515240	CHOKE	1					
153	36350885150	GEAR	1					
154	36350885160	GEAR	1					
156	36370216300	WASHER	5					
157	36350775053	VALVE ASSY	1					
159	36350775450	BOLT	8					
160	36350775480	BRACKET	1					
161	90101706016	BOLT	2		M6X16			
162	90302050601	WASHER,SPRING (6)	2					
163	36350265510	PIN	2					
164	36350266050	WASHER	2					
165	36350885170	GEAR	1					
166	36350595170	BEARING,BALL	1					
167	36350595180	RING,SNAP	1					
168	36350275120	SLEEVE (A)	1					
169	36350275410	FORK (SHIFT)	1					
170	36350885180	BAR	1					
171	36350265870	BOLT	1					
172	90203701000	NUT	1		M10			
173	36350265880	WIRE	1					
174	36350595200	ADAPTER	1					
175	36350705120	O-RING	1					
176	36350295240	SPRING	1					
177	36350295270	COVER	1					
178	36350295380	COLLAR	1					
179	36350295390	WASHER,SEAL	2					
180	36350695220	BOLT	1					
181	36350705150	SWITCH	1					
182	36350885190	SPACER	1					
183	36350885200	COVER	1					
184	36350705140	O-RING	1					
185	36350595250	BEARING,BALL	1					
186	36350295410	WASHER	4					
187	36350455620	BEARING,BALL	1					
188	36350297130	WASHER	1					
189	80601110550	RING,RITAINING	1		S55			
190	36350556380	WASHER	1					
191	80601110600	RING,RITAINING	1		S60			
192	36350595130	BEARING,ROLLER	1					
193	36350277050	WASHER,THRUST	1					
194	80601110500	RING,RITAINING	1		S50			
195	36350535560	BEARING,BALL	1					
196	36350485890	WASHER	3					
197	36350595150	RING,SNAP	1					
198	36350267140	RING,SEAL	1					
199	36350880040	PLATE,CAUTION	1					
300	36350885220	OVERHAUL KIT	1					
900	36350880000	TRANSMISSION ASSY	1					

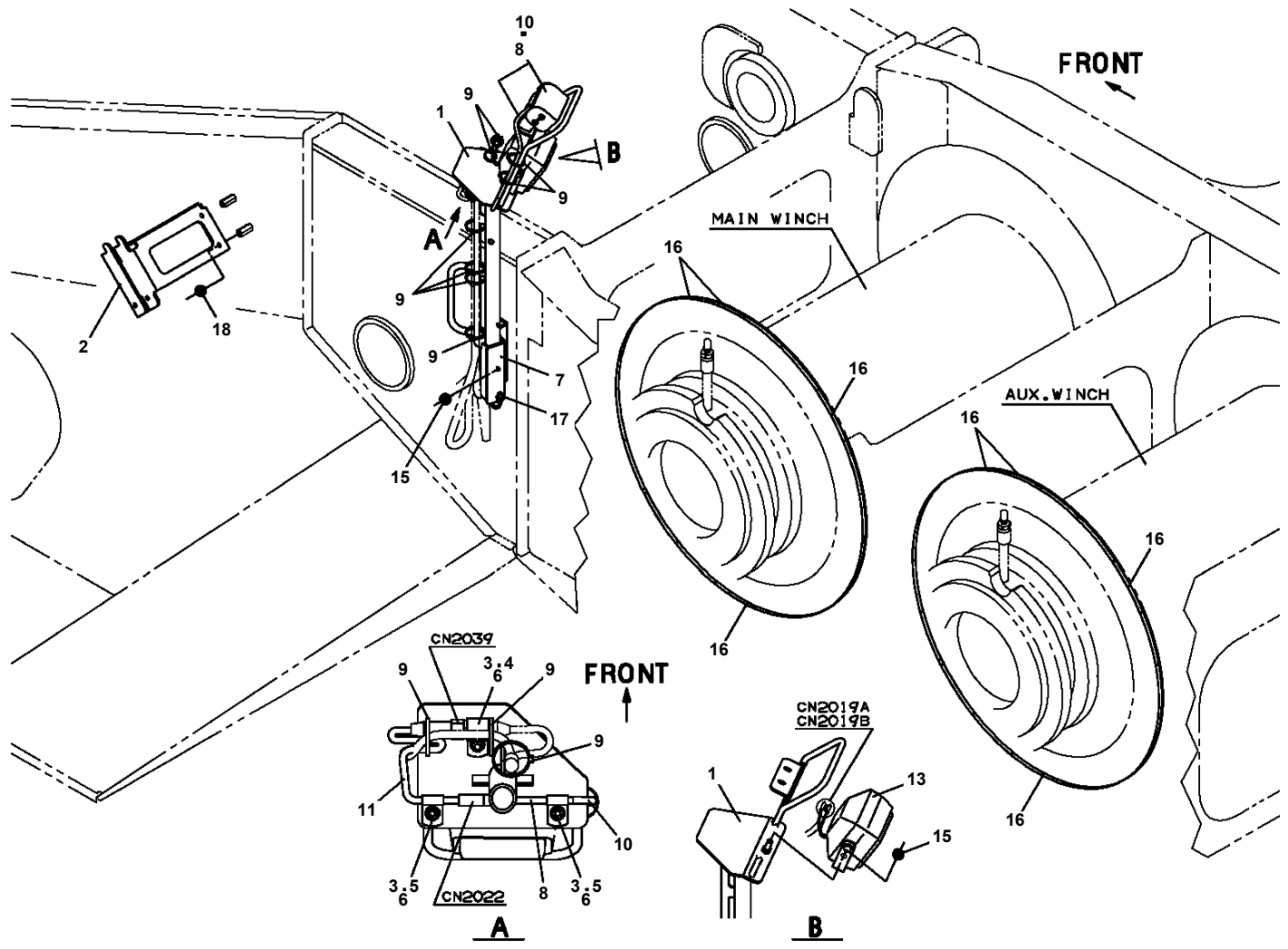
GR-700E-4-00101 5 BOOM + 2 JIB, 2M2D

Pos No.	Parts No	Parts Name	Qty	Unit	Technical Data	Serial No (Start)	Serial No (End)	Remarks
5	36641605030	SPRING	4					
6	36742085040	PLUG	4					
7	91002801800	O-RING	4		1B P18			
8	80316070060	PLUG	4		PF3/8			
9	91002801400	O-RING	4		1B P14			
10	80316090020	PLUG	16		KKT PT1/8			
11	59457138000	PLUG ASSY	4					
100	36742080000	VALVE ASSY, HYDRAULIC	1					

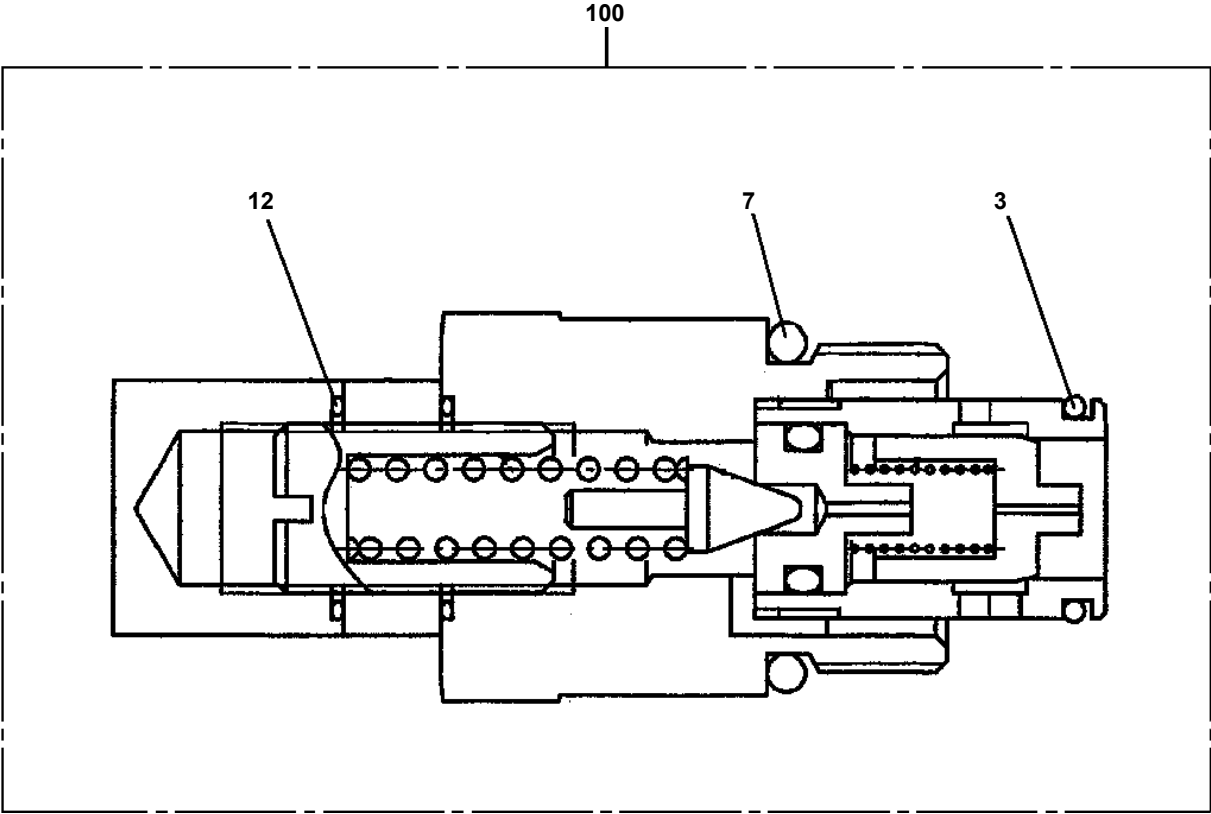
GR-700E-4-00101 5 BOOM + 2 JIB, 2M2D

Pos No.	Parts No	Parts Name	Qty	Unit	Technical Data	Serial No (Start)	Serial No (End)	Remarks
500	36743310000	VALVE ASSY,SELECTOR	1					

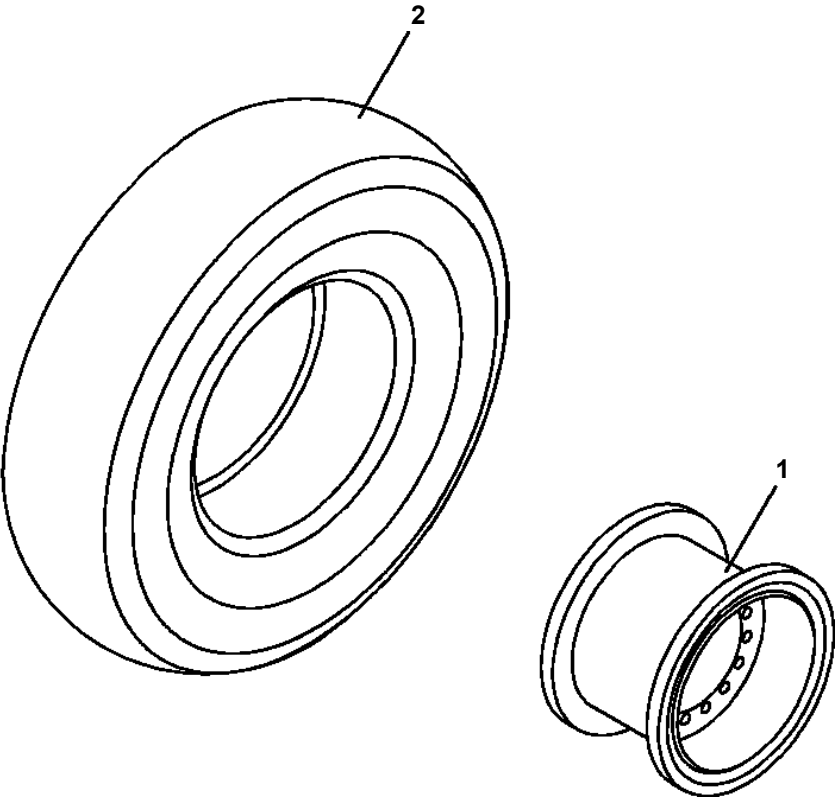
**GR-700E-4-00101 5 BOOM + 2 JIB, 2M2D
PV5450153-00 VIEW SYSTEM (DRUM CAMERA)**



GR-700E-4-00101 5 BOOM + 2 JIB, 2M2D
PV5480028-00 VALVE, OVERLOAD RELIEF



GR-700E-4-00101 5 BOOM + 2 JIB, 2M2D
PW5030052-00 WHEEL ASSY (TOPY + HUNG-A)



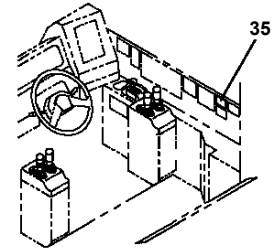
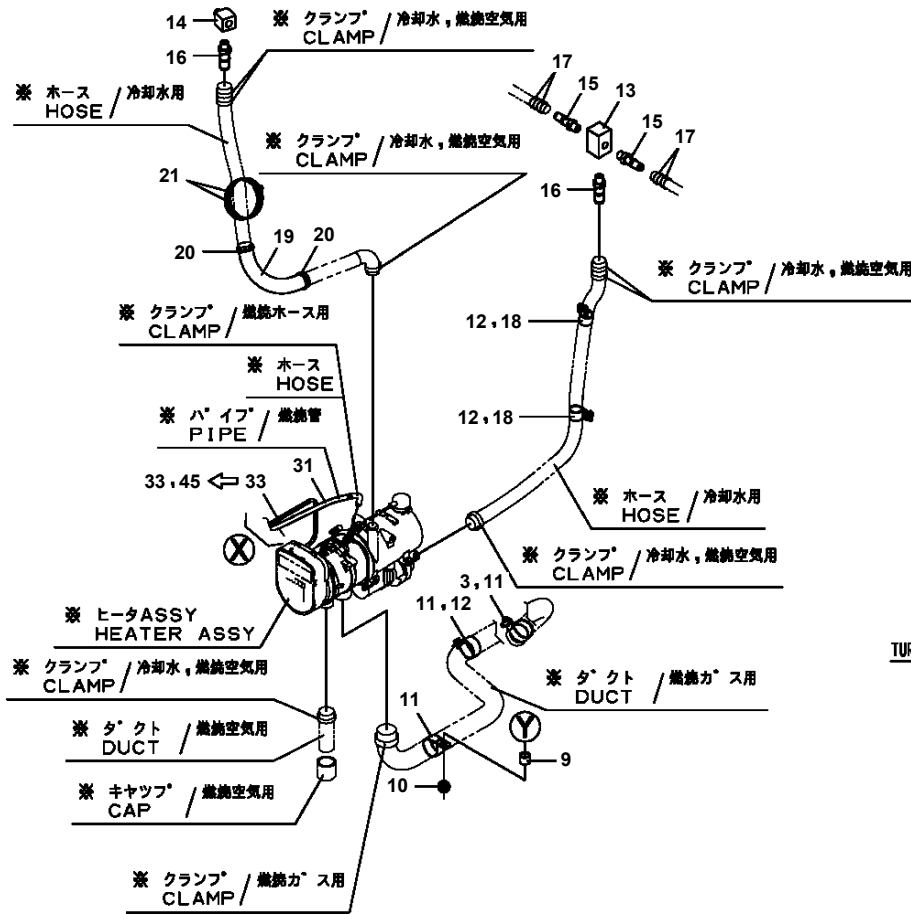
GR-700E-4-00101 5 BOOM + 2 JIB, 2M2D

Pos No.	Parts No	Parts Name	Qty	Unit	Technical Data	Serial No (Start)	Serial No (End)	Remarks	Pages
1	18023003000	WEDGE	1						

GR-700E-4-00101 5 BOOM + 2 JIB, 2M2D PX5010694-00 MOUNT ASSY

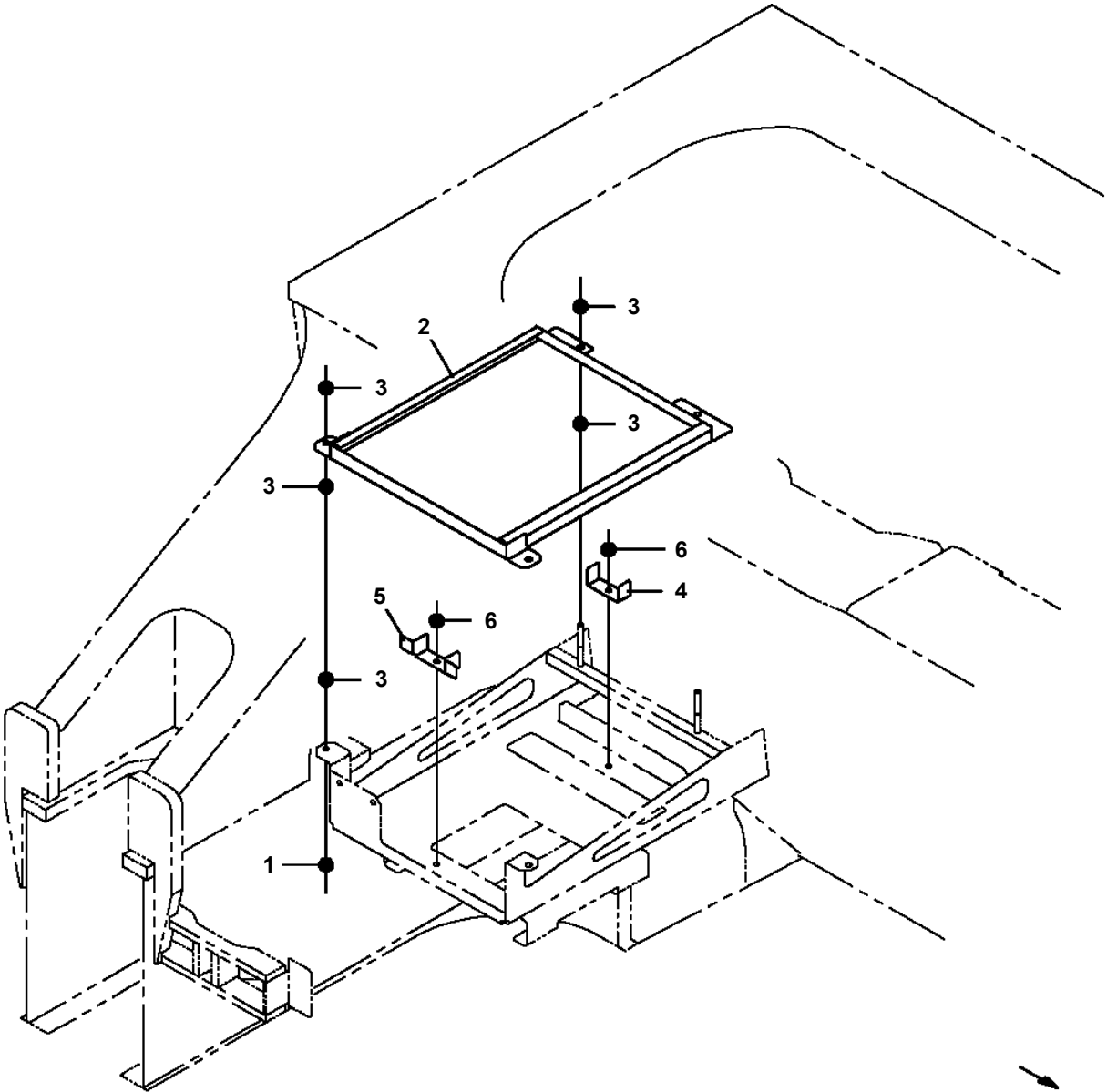
※は 101 材の「フソク ヒート」より検索してください。
 FOR THE PART ※, SEE THE CORRESPONDING "ACCESSORY LIST" FOR THE ITEM [101].

101	フソク ヒート (ヒータ) ACCESSORY LIST (HEATER)
-----	--



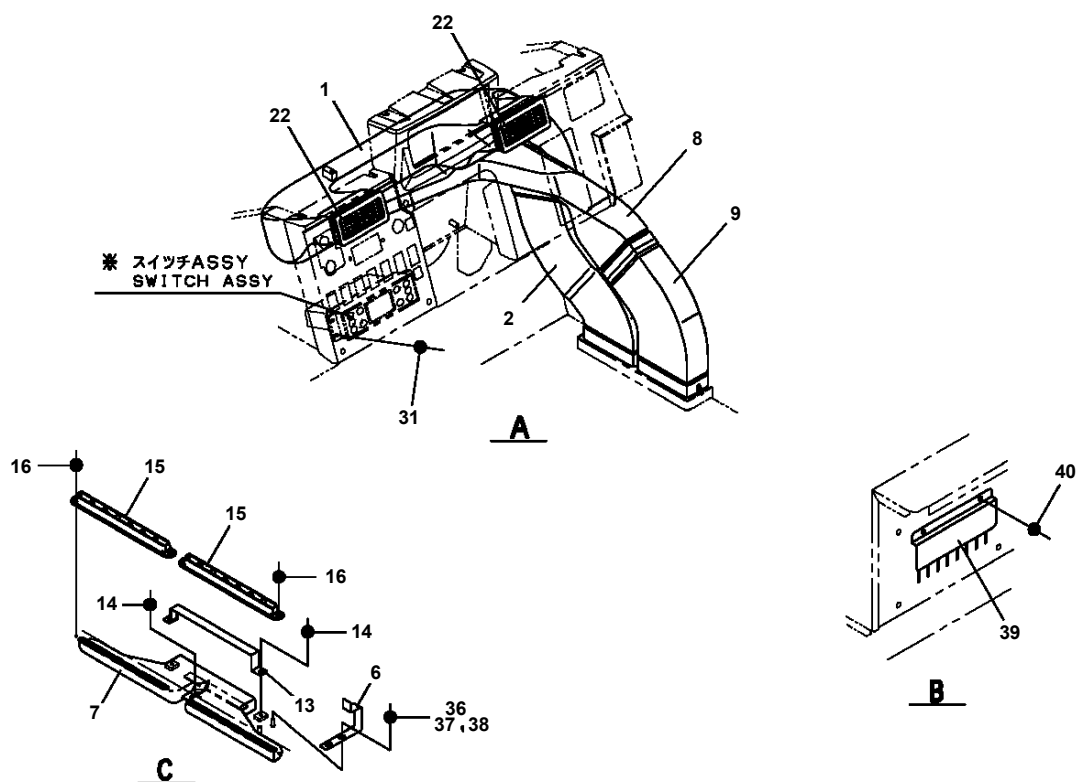
タダノ製番記入銘板貼付位置図
 TURN ENTRY TABLET PASTING POSITION FIGURE MADE OF TADANO

**GR-700E-4-00101 5 BOOM + 2 JIB, 2M2D
PX5060046-00 MOUNT ASSY,BATTERY**



FRONT

**GR-700E-4-00101 5 BOOM + 2 JIB, 2M2D
PX5320017-00 MOUNT ASSY, EVAPORATOR**



展開図有

ILLUSTRATED BREAKDOWN NO.1,2,7,9

※は「検索」機能の「部品名称」より「エアコンASSY (リスト/キャブ ASSYトリツケフン)」で検索 (半角カナ) してください。

FOR THE PART ※, GO TO "PART NAME" IN "SEARCH" MENU AND SEARCH IN "ACCESSORY LIST (LIST/CAB ASSY PART)".

GR-700E-4-00101 5 BOOM + 2 JIB, 2M2D

Pos No.	Parts No	Parts Name	Qty	Unit	Technical Data	Serial No (Start)	Serial No (End)	Remarks	Pages
1	90101208020	BOLT	1		M8X20				
2	82100002017	CLAMP	1		WR30				
3	90302040801	WASHER,SPRING	1		8				
4	90201200800	NUT	1		M8				
5	90103210025	BOLT	1		M10X25				
6	34922280500	SUPPORT	1						

GR-700E-4-00101 5 BOOM + 2 JIB, 2M2D

Pos No.	Parts No	Parts Name	Qty	Unit	Technical Data	Serial No (Start)	Serial No (E
1	36063860000	CYLINDER ASSY (SUSPENSION LOCK)	2				
2	37001600940	NUT	8		M27		
3	37001508410	BOLT	8		M27X120		
4	90303502701	WASHER,PLAIN <27)	16				
5	90171127085	BOLT	8		M27X85		
6	59457138000	PLUG ASSY	4				
7	34790711000	SUPPORT ASSY (STEEL CAST)	1				
	34790712000	SUPPORT ASSY (WELDED STRUCTURE)	1				
8	37000108600	PIN	2				
9	37000506300	PLATE	2				
10	37000506310	PLATE	2				
11	90101214030	BOLT	4		M14X30		
12	37000120760	PIN	4				
13	80136380090	PIN,SPLIT	4		8X90		
14	37000520740	PLATE	4				
31	37000400870	BEARING,PLAIN	4				

GR-700E-4-00101 5 BOOM + 2 JIB, 2M2D

Pos No.	Parts No	Parts Name	Qty	Unit	Technical Data	Serial No (Start)	Serial No (End)	Remarks	Pa
2	80426016106	JOINT,SELF SEALING	1						
3	80457030800	CAP (FOR MALE)	1						
5	80400160168	ADAPTER	1						
6	37000913700	JOINT	1						
7	91801300160	CLIP	2		D=14-16				
8	34730290010	HOSE	1						
11	80426026204	JOINT,SELF SEALING	1						
20	34730290000	INFLATOR,AIR	1						

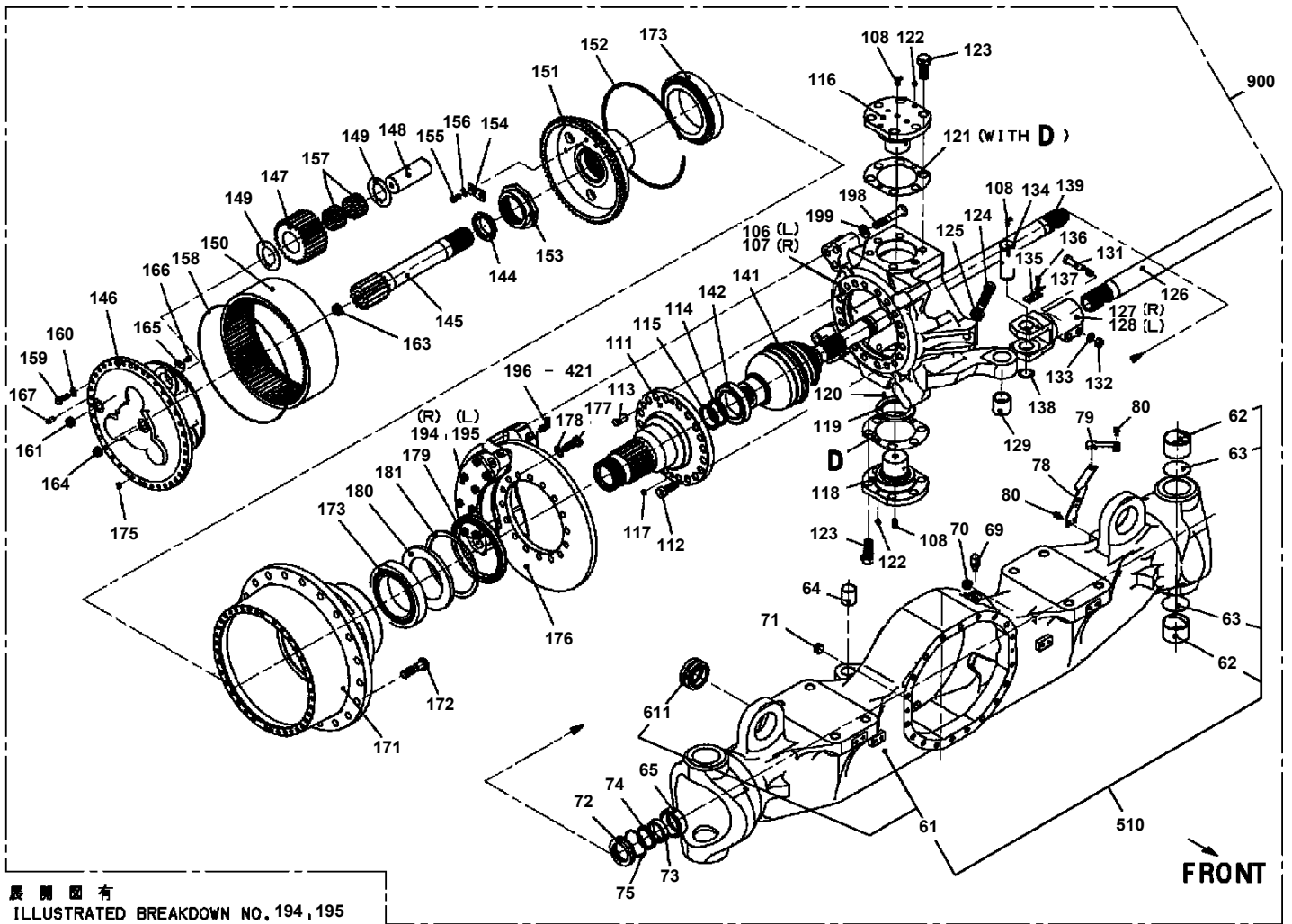
GR-700E-4-00101 5 BOOM + 2 JIB, 2M2D

Pos No.	Parts No	Parts Name	Qty	Unit	Technical Data	Serial No (Start)	Serial N
1	36321353010	EVAPORATOR ASSY	1				
2	36321353020	SWITCH ASSY	1				
3	36321353030	HARNESS	1				
4	36321161020	FILTER (OPEN AIR)	1				
5	36320562240	HOSE (DRAIN)	2		L=200		
6	36320762250	CLAMP (DRAIN HOSE)	2		13.8		
7	36320562270	CLIP (CANONE)	6				
100	36321353000	AIR CONDITIONER ASSY (CAB ASSY PARTS)	1				

GR-700E-4-00101 5 BOOM + 2 JIB, 2M2D

Pos No.	Parts No	Parts Name	Qty	Unit	Technical Data	Serial No (Start)	Serial No (End)	Remarks	Pages
1	34784030100	PIPE	1						
2	90280201000	NUT,FLANGE	2		M10				
3	90186210030	BOLT,FLANGE	4		M10X30				
4	37000505950	PLATE	4		T=3.2				

GR-700E-4-00101 5 BOOM + 2 JIB, 2M2D
PY5330080-01 AXLE ASSY (REAR/WITH NO SPIN)



展開圖有
 ILLUSTRATED BREAKDOWN NO. 194, 195

GR-700E-4-00101 5 BOOM + 2 JIB, 2M2D

Pos No.	Parts No	Parts Name	Qty	Unit	Technical Data	Serial No (Start)	Serial No (End)
122	36380215350	COVER	8				
123	36382185130	BOLT	24				
124	36381015070	BOLT,STOPPER	2				
125	34680005850	NUT	2		M24		
126	36382915270	TIE ROD	1				
127	36381445130	END,TIE ROD (RIGHT HAND SCREW)	1				
128	36381445140	END,TIE ROD (LEFT HAND SCREW)	1				
129	36382265150	BUSH (KNUCKLE)	2				
131	36381585040	BOLT	4				
132	90201201600	NUT	4		M16		
133	90303071601	WASHER,PLAIN	4		16		
134	36380995170	PIN (TIE ROD END)	2				
135	36380065461	PLATE (LOCK)	2				
136	90171108020	BOLT	4		M8X20		
137	90302040801	WASHER,SPRING	4		8		
138	80601110420	RING,RITAINING	2		S42		
139	36382915280	SHAFT	2				
141	36382185160	JOINT ASSY	2				
142	36380995200	BEARING,BALL (BALL JOINT)	2				
144	36380065291	WASHER,THRUST	2				
145	36382915290	GEAR,SUN	2				
146	36382915300	SPIDER,PLANETARY GEAR	2				
147	36382915310	GEAR,PLANETARY	6				
148	36382915320	SHAFT	6				
149	36382915330	WASHER,THRUST	12				
150	36382915340	GEAR,INTERNAL	2				
151	36382915350	HUB,INTERNAL GEAR	2				
152	36382915360	RING,SNAP	2				
153	36380065621	NUT,BEARING	2				
154	36380065630	PLATE (LOCK)	2				
155	90171110025	BOLT	4		M10X25		
156	90302041001	WASHER,SPRING	4		10		
157	36382915370	BEARING,NEEDLE	12				
158	36382915380	O-RING	2				
159	90171112040	BOLT	68		M12X40		
160	90303071201	WASHER,PLAIN	68		12		
161	59172081020	PLUG,MAGNET	2		PT3/4		
163	36382915390	STOPPER	2				
164	80316030100	PLUG	2		PT3/4		
165	36381995420	PLATE (LOCK)	6				
166	90171108016	BOLT	6		M8X16		
167	34680005620	PIN	8				
171	36382915400	HUB,WHEEL	2				
172	36382265370	BOLT (WHEEL,HUB)	40				
173	36382915410	BEARING,TAPER ROLLER	4				
175	36380215350	COVER	4				
176	36382185240	DISK (BRAKE)	2				
177	36381445170	BOLT	48				
178	36380675380	WASHER,PLAIN	48				
179	36381445180	SEAL (WITH SHAFT /WHEEL HUB)	2				
180	36382185250	SPACER	2				
181	36380365051	SPACER	2				
194	36381125071	BRAKE,CALIPER (1,4-PISTONS)	2				
195	36381125081	BRAKE,CALIPER (2,4-PISTONS)	2				
196	36381975030	CONNECTOR (WITH O-RING)	4				
198	36381095080	BOLT (L)	16				
199	36381125050	WASHER	16				
211	36380065880	VALVE (BREEDER)	4				
212	36380675540	BOLT (SELF LOCK)	8				
213	36380685050	BOLT (SELF LOCK)	8				
214	36380675560	PIN	8				
215	36380675570	PIN (WITH SLOT)	8				
216	36380675580	O-RING	16				

GR-700E-4-00101 5 BOOM + 2 JIB, 2M2D

Pos No.	Parts No	Parts Name	Qty	Unit	Technical Data	Serial No (Start)	Serial No (End)
1	36361493010	RADIATOR ASSY	1				
2	36361493020	HOSE (RADIATOR INLET)	1				
3	36361493031	HOSE (AIR INLET,B)	1				
4	36361323040	HOSE (AIR INLET,C)	1				
5	36361493040	HOSE (AIR INLET,A)	1				
6	36360803050	CLIP (INTERCOOLER HOSE/D=MIN87,MAX116)	3				
7	36360803060	CLIP (INTERCOOLER HOSE/D=MIN77,MAX99)	5				
8	36360803070	CLIP (RADIATOR HOSE/D=60)	1				
9	36360803080	CLIP (RADIATOR HOSE/D=80)	1				
10	36360803090	GUIDE (FAN SHROUD)	1				
11	36360591050	CLAMP (FAN SHROUD SEAL)	1				
12	36360591030	GUIDE (FAN RING)	1				
13	36360953040	SUPPORT (FAN RING)	2				
14	36361493060	SUPPORT (RADIATOR FILLER)	1				
15	36361323070	HOSE (RADIATOR FILLER)	1				
16	36361323080	CLIP (RADIATOR FILLER HOSE/D=48)	1				
17	36361323090	BOLT (RADIATOR FILLER HOSE/WITH WASHER)	2				
31	36360957510	CAP	1				

CLICK HERE TO **DOWNLOAD** THE COMPLETE MANUAL

- Thank you very much for reading the preview of the manual.
- You can download the complete manual from: www.heydownloads.com by clicking the link below



- Please note: If there is no response to CLICKING the link, please download this PDF first and then click on it.

CLICK HERE TO **DOWNLOAD** THE COMPLETE MANUAL