

GR-700E-1-00101 5 BOOM + 2 JIB, 2M2D

PB1000614-00 HYDRAULIC PRESSURE GENERATING SYSTEM
PC1000512-00 OUTRIGGER SYSTEM
PD1000532-00 SWING SYSTEM
PE1000536-00 ELEVATING SYSTEM
PF1000480-00 WINCH SYSTEM
PG1000487-00 TELESCOPING SYSTEM
PH1000517-01 SAFETY DEVICES
PK1000553-00 FRAME
PL1000561-00 CONTROL DEVICES
PM1000032-01 LUBRICATION DEVICES
PN1000454-01 ELECTRIC EQUIPMENT
PO1000150-00 INDICATION PLATES
PQ1000178-00 DRIVING POWER GENERATING SYSTEM
PR1000105-01 DRIVING POWER TRANSMISSION SYSTEM
PS1000133-00 STEERING SYSTEM
PT1000113-00 BRAKE SYSTEM
PU1000107-00 SUSPENSION
PW1000097-02 ACCESSORIES & TOOLS
PX1000719-00 MOUNTING PARTS
PY1000696-03 OPTIONS
PZ2000004-00 LOCATION OF PARTS
ASSEMBLY

CLICK HERE TO **DOWNLOAD** THE COMPLETE MANUAL

- Thank you very much for reading the preview of the manual.
- You can download the complete manual from: www.heydownloads.com by clicking the link below



- Please note: If there is no response to CLICKING the link, please download this PDF first and then click on it.

CLICK HERE TO **DOWNLOAD** THE COMPLETE MANUAL

GR-700E-1-00101 5 BOOM + 2 JIB, 2M2D

| Pos No. | Parts No | Parts Name | Qty | Unit | Technical Data | Serial No (Start) | Serial No (End) | R |
|---------|-------------|------------------------------|-----|------|----------------|-------------------|-----------------|---|
| 1 | (*****) | MOUNT,WINCH (MAIN) | 1 | | | | | |
| 2 | (*****) | MOUNT,WINCH (AUX.) | 1 | | | | | |
| 3 | (*****) | PIPING,WINCH (MAIN) | 1 | | | | | |
| 4 | (*****) | PIPING,WINCH (AUX.) | 1 | | | | | |
| 5 | 37001808550 | ROPE,WIRE (KISWIRE/NON-SPIN) | 1 | | | | | |
| | 37001807510 | ROPE,WIRE (TSK/NON-SPIN) | 1 | | | | | |
| 6 | 37001807520 | ROPE,WIRE (TSK/NON-SPIN) | 1 | | | | | |
| | 37001808570 | ROPE,WIRE (KISWIRE/NON-SPIN) | 1 | | | | | |
| 7 | (*****) | SOCKET,ROPE | 2 | | | | | |

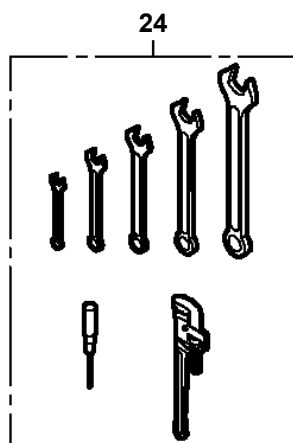
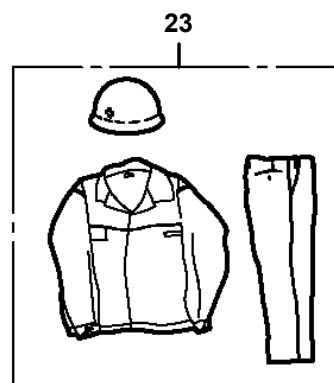
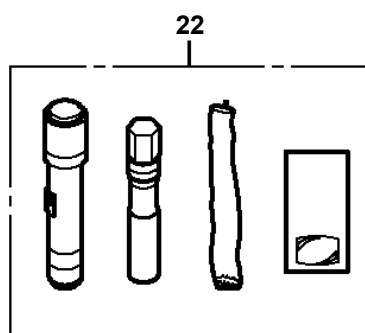
GR-700E-1-00101 5 BOOM + 2 JIB, 2M2D

| Pos No. | Parts No | Parts Name | Qty | Unit | Technical Data | Serial No (Start) | Serial No (End) | Remarks | Pages |
|---------|----------|----------------|-----|------|----------------|-------------------|-----------------|---------|--------|
| 1 | (*****) | PARTS,GREASING | 1 | | | | | | 000222 |

GR-700E-1-00101 5 BOOM + 2 JIB, 2M2D

| Pos No. | Parts No | Parts Name | Qty | Unit | Technical Data | Serial No (Start) | Serial No (End) | Remarks |
|---------|----------|-------------------------|-----|------|----------------|-------------------|-----------------|---------|
| 1 | (*****) | OPE.ASSY,STEERING (CAB) | 1 | | | | | |
| 2 | (*****) | PIPING,STEERING (UPPER) | 1 | | | | | |
| 3 | (*****) | PIPING,STEERING (LOWER) | 1 | | | | | |
| 4 | (*****) | STEERING ASSY | 1 | | | | | |

**GR-700E-1-00101 5 BOOM + 2 JIB, 2M2D
PY1000696-03 OPTIONS**



適用製造番号によっては取り付けがないものもあります。

MACHINES OF SOME SERIAL NO. ARE NOT EQUIPPED WITH THESE PARTS.

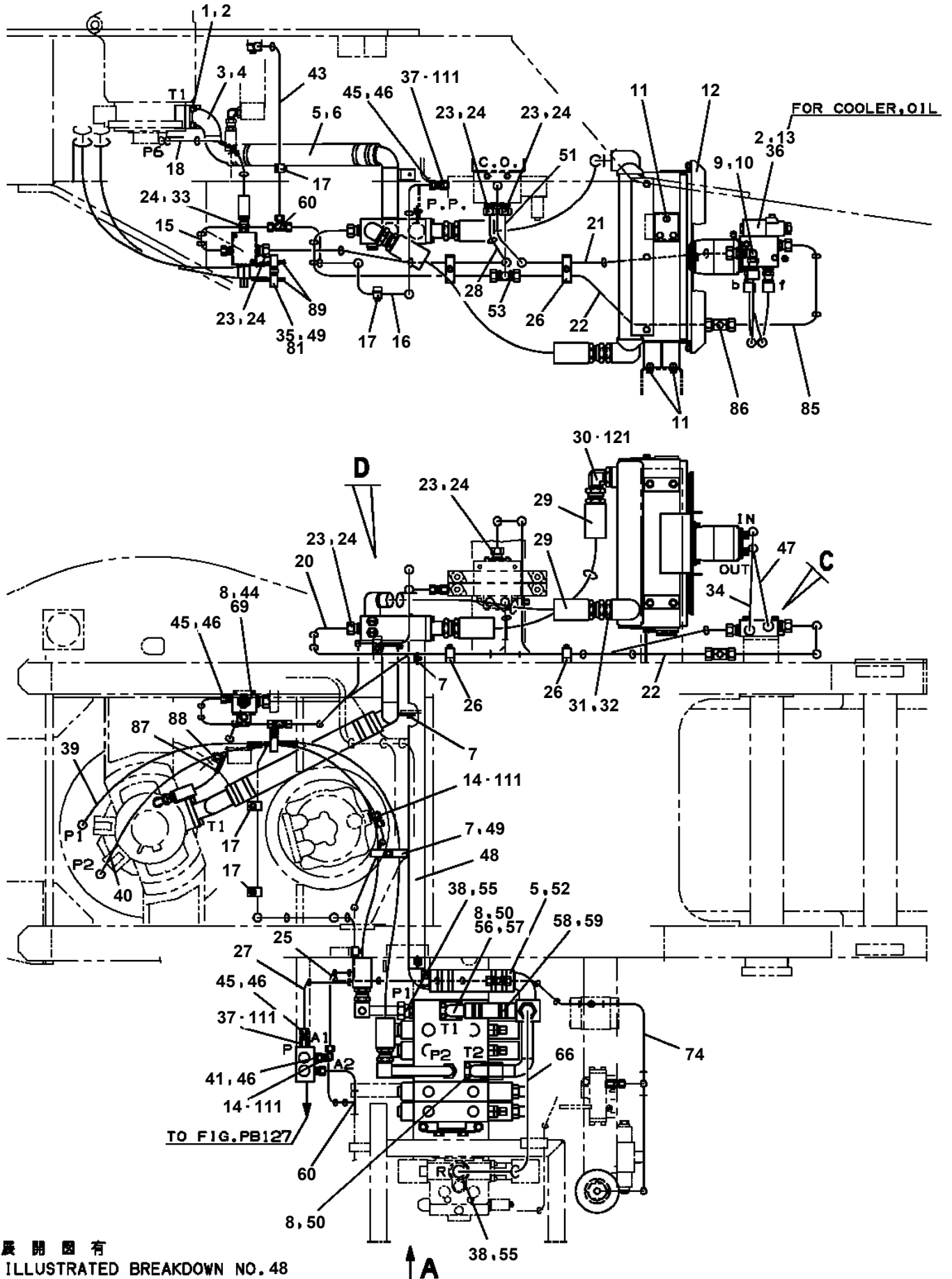
GR-700E-1-00101 5 BOOM + 2 JIB, 2M2D

PX1350251-02 TOOL BOX INSTALLATION
PX1640014-00 BOARD
PX1640015-00 BOARD
PX1810013-00 MOUNT,SUPPORT (SHIPMENT)
PX1810090-00 MOUNT,SUPPORT (FOR STOWING MAIN HOOK)
PX1810122-00 MOUNT,SUPPORT (AIR)
PX1810123-01 MOUNT,SUPPORT (AIR CONDITIONER)
PX1810125-01 MOUNT,SUPPORT (LOWER)
PX1810129-02 MOUNT,SUPPORT (SWING FRAME)
PX1810130-01 MOUNT,SUPPORT (AUX. WINCH)
PX1810194-00 MOUNT,SUPPORT (LOWER)
PX5250036-00 MOUNT ASSY,COMPRESSOR
PX5250037-00 MOUNT ASSY,COMPRESSOR
PX5320009-01 MOUNT ASSY,EVAPORATOR
PX5320013-00 MOUNT ASSY,EVAPORATOR
PY1030126-01 SINGLE TOP
PY1120042-01 HEATER (WEBASTO/THERMO 90S)
PY1180225-00 LAMP (PILOT,SIC)
PY1300003-00 COOLER,OIL
PY1300027-00 COOLER,OIL (MOUNT)
PY1360018-00 FAN
PY1370022-00 EVAPORATOR
PY1370031-00 EVAPORATOR
PY1380059-01 CONDENSER
PY1380061-00 COMPRESSOR
PY1430001-04 INFLATOR,AIR
PY1510040-01 HOUR METER
PY2320001-03 SUN VISOR (FRONT)
PY2360001-02 PUMP,WATER
PY5140009-02 AIR CONDITIONER ASSY
PY5140032-00 AIR CONDITIONER ASSY (CAB ASSY PARTS)
PY5140053-00 AIR CONDITIONER ASSY (CAB ASSY PARTS)
PY5140074-01 AIR CONDITIONER ASSY (PIPING)
PY5140075-01 AIR CONDITIONER ASSY (PIPING)
PY5360058-00 ACCESSORY LIST (AIR CONDITIONER,COMPANY)
PY5360059-00 ACCESSORY LIST (AIR CONDITIONER,COMPANY)
PY5360064-00 ACCESSORY LIST (ENGINE:MOUNTING PARTS)
PY5360066-00 ACCESSORY LIST (ENGINE:ELECTRICAL DEVICE)
PY5360067-00 ACCESSORY LIST (RADIATOR)
PY5360069-00 ACCESSORY LIST (RADIATOR)
PZ2010016-00 LOCATION OF HYDRAULIC PARTS (UPPER)
PZ2010017-00 LOCATION OF HYDRAULIC PARTS (LOWER)
PZ2020008-00 LOCATION OF AIR PARTS
PZ2110074-00 HYD.PARTS (CAB AND SWING TABLE)
PZ2110075-00 HYD.PARTS (BOOM)
PZ2110076-00 HYD.PARTS (FRONT)
PZ2110077-00 HYD.PARTS (CENTER)
PZ2110078-00 HYD.PARTS (REAR)
PZ2220012-00 AIR PARTS (CAB AND SWING TABLE)
PZ2220013-00 AIR PARTS (CARRIER)

GR-700E-1-00101 5 BOOM + 2 JIB, 2M2D

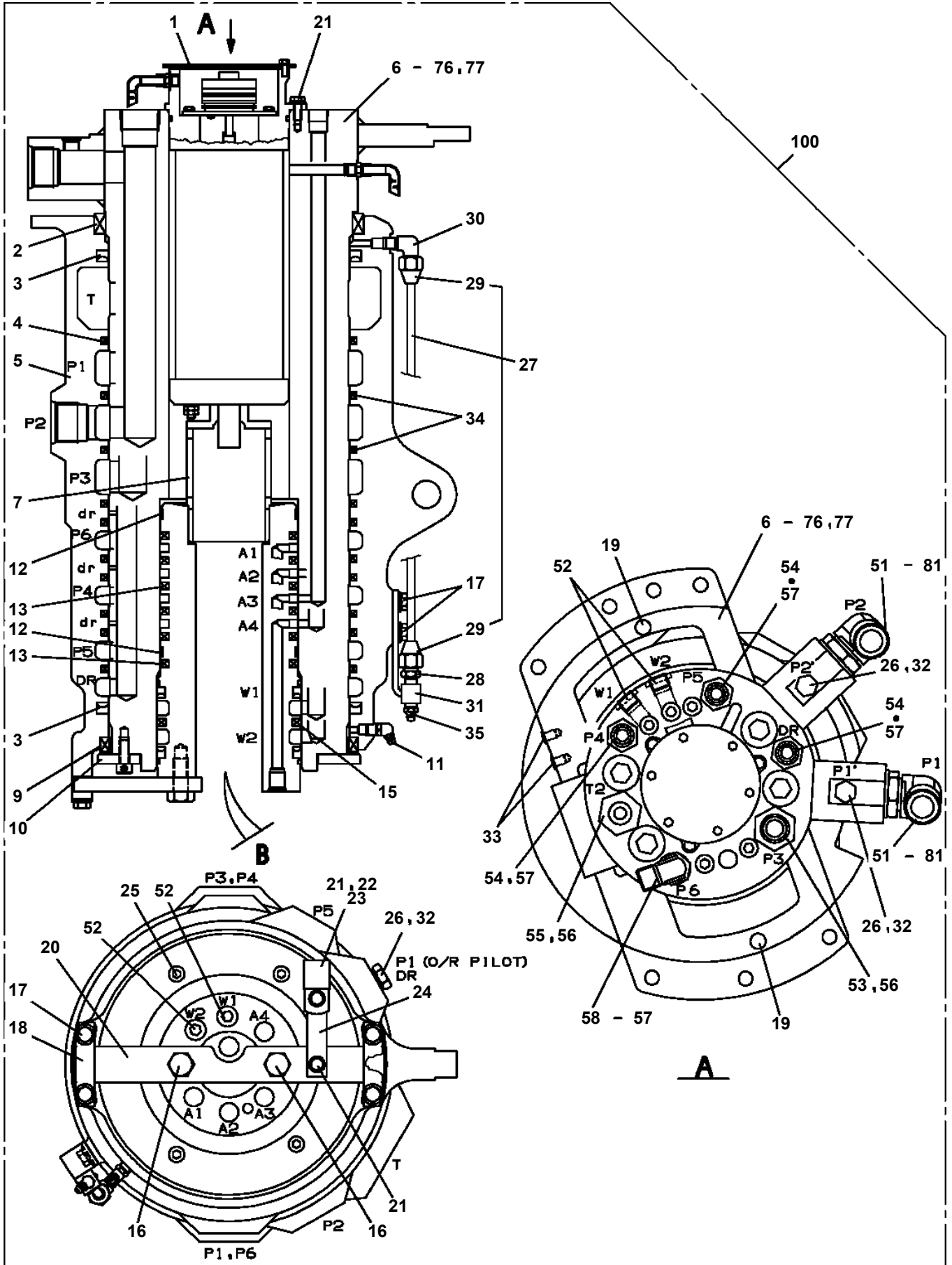
| Pos No. | Parts No | Parts Name | Qty | Unit | Technical Data | Serial No (Start) | Serial No (End) | Rem |
|---------|-------------|---------------------------|-----|------|----------------|-------------------|-----------------|-----|
| 1 | 37002508590 | HOSE | 1 | | L=400 | | | |
| 2 | 91803600600 | CLIP | 4 | | D=45-60 | | | |
| 3 | 34640271100 | FITTING,FLANGE | 1 | | | | | |
| 4 | 91002903000 | O-RING | 1 | | 1B G30 | | | |
| 5 | 90191510030 | BOLT | 4 | | M10X30 | | | |
| 6 | 90302041001 | WASHER,SPRING | 14 | | 10 | | | |
| 7 | 34640801100 | FITTING,FLANGE | 1 | | | | | |
| 8 | 91002903500 | O-RING | 1 | | 1B G35 | | | |
| 9 | 37002504290 | HOSE | 1 | | L=335 | | | |
| 10 | 91803600500 | CLIP | 4 | | D=35-50 | | | |
| 11 | 34640381400 | JOINT | 1 | | | | | |
| 12 | 91002911000 | O-RING | 1 | | 1B G110 | | | |
| 14 | 91803601200 | CLIP | 4 | | D=90-120 | | | |
| 15 | 80316100020 | PLUG | 1 | | GPF 1/4 | | | |
| 16 | 91002801100 | O-RING | 1 | | 1B P11 | | | |
| 17 | 34640801200 | FITTING,FLANGE | 1 | | | | | |
| 18 | 91002907000 | O-RING | 1 | | 1B G70 | | | |
| 19 | 90101512090 | BOLT | 4 | | M12X90 | | | |
| 20 | 90302041201 | WASHER,SPRING | 8 | | 12 | | | |
| 21 | 36653350001 | PUMP,HYDRAULIC | 1 | | | | | |
| 23 | 90302041601 | WASHER,SPRING | 4 | | 16 | | | |
| 24 | 36651900000 | PUMP,HYDRAULIC (STEERING) | 1 | | | | | |
| 26 | 90303071201 | WASHER,PLAIN | 4 | | 12 | | | |
| 27 | 90191210025 | BOLT | 2 | | M10X25 | | | |
| 28 | 34640441400 | PLATE | 1 | | | | | |
| 29 | 34640271700 | GASKET | 1 | | | | | |
| 30 | 90131516060 | BOLT,HEXAGON SOCKET | 4 | | M16X60 | | | |
| 31 | 90131510030 | BOLT,HEXAGON SOCKET | 8 | | M10X30 | | | |
| 32 | 90101512035 | BOLT | 4 | | M12X35 | | | |
| 51 | 37002501230 | HOSE | 1 | | L=870 | | | |
| 52 | 37002513610 | HOSE | 1 | | L=870 | | | |

GR-700E-1-00101 5 BOOM + 2 JIB, 2M2D
 PB1260226-01 PIPING,RETURN (UPPER)



展開図有
 ILLUSTRATED BREAKDOWN NO. 48

GR-700E-1-00101 5 BOOM + 2 JIB, 2M2D
 PB1300383-03 JOINT, ROTARY



GR-700E-1-00101 5 BOOM + 2 JIB, 2M2D

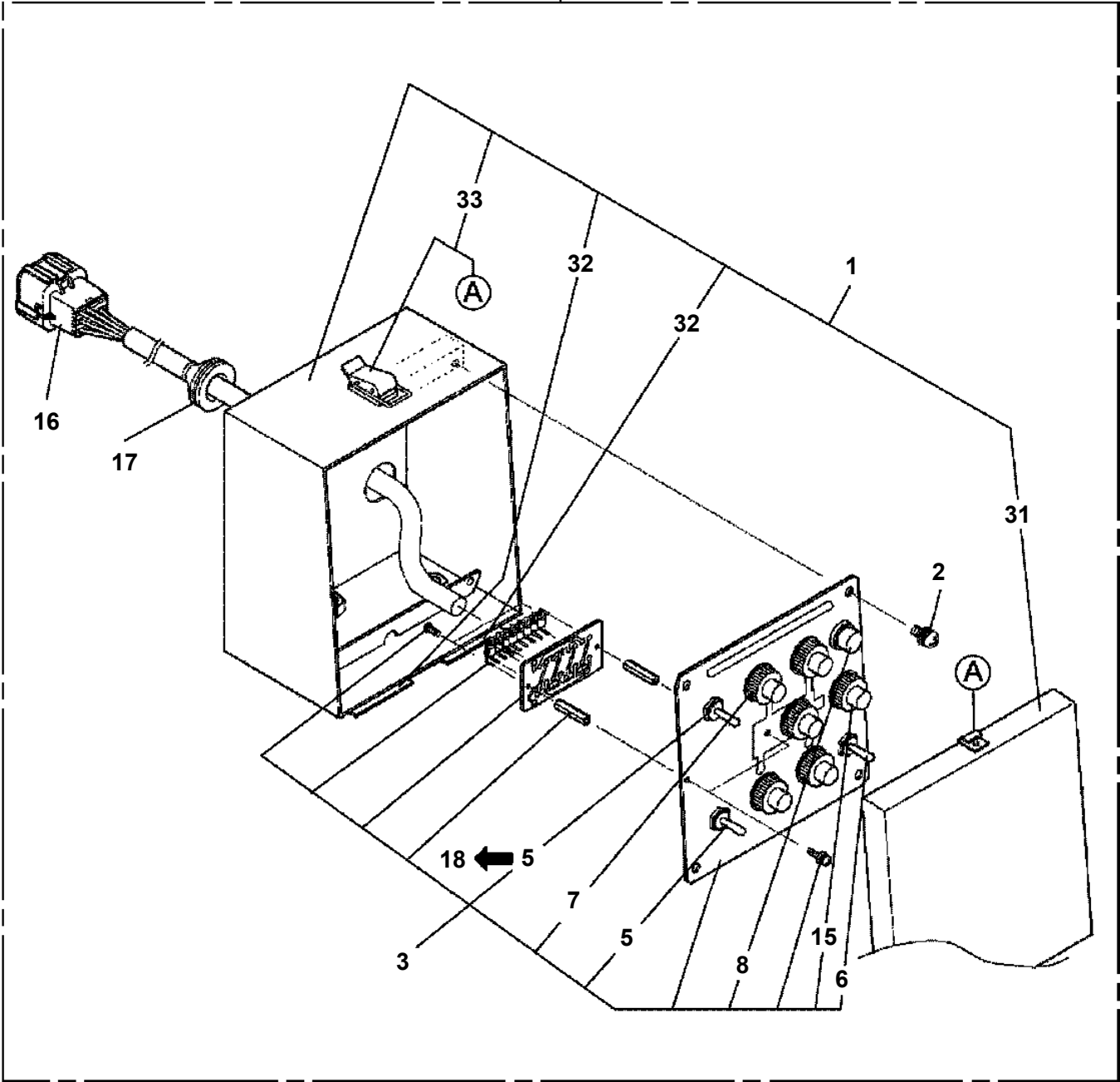
| Pos No. | Parts No | Parts Name | Qty | Unit | Technical Data | Serial No (Start) | Serial No (End) | Remarks |
|---------|-------------|------------------------|-----|------|----------------|-------------------|-----------------|---------|
| 6 | 36640425010 | COLLAR | 4 | | | | | |
| 7 | 36640425100 | HOLDER (SPRING) | 4 | | | | | |
| 8 | 36640425070 | PLUG | 4 | | | | | |
| 9 | 36640425080 | SPRING | 4 | | | | | |
| 12 | 36640425150 | SLEEVE | 1 | | | | | |
| 16 | 36648885050 | SOLENOID | 4 | | | | 549555 | |
| | 36648885051 | SOLENOID | 4 | | | 549556 | | |
| 21 | 36648925010 | TIE ROD | 3 | | | | | |
| 22 | 36640425110 | SPRING | 2 | | | | | |
| 25 | 36640425120 | END,SPOOL | 2 | | | | | |
| 27 | 36646975120 | PLUG | 4 | | PF1/4 | | | |
| 28 | 36648135010 | BOLT,HEXAGON SOCKET | 8 | | M5X10 | | | |
| 29 | 90131906080 | BOLT,HEXAGON SOCKET | 8 | | M6X80 | | | |
| 31 | 90267201000 | NUT | 6 | | M10 | | | |
| 34 | 36648135050 | O-RING | 4 | | 1A P16 | | | |
| 35 | 91002800600 | O-RING | 12 | | 1B P6 | | | |
| 37 | 91002801000 | O-RING | 4 | | 1B P10 | | | |
| 38 | 91002801100 | O-RING | 4 | | 1B P11 | | | |
| 39 | 91002801200 | O-RING | 1 | | 1B P12 | | | |
| 41 | 91002801800 | O-RING | 1 | | 1B P18 | | | |
| 42 | 91002802200 | O-RING | 1 | | 1B P22 | | | |
| 43 | 91002906500 | O-RING | 3 | | 1B G65 | | | |
| 44 | 36640425030 | O-RING | 4 | | | | | |
| 61 | 36640425040 | HOUSING ASSY | 1 | | | | | |
| 62 | 36640425050 | INLET ASSY | 1 | | | | | |
| 63 | 36640425060 | SOLENOID ASSY | 4 | | | | 549555 | |
| | 36640425061 | SOLENOID ASSY | 4 | | | 549556 | | |
| 64 | 36640425090 | HOUSING ASSY | 1 | | | | | |
| 65 | 36640425130 | HOUSING ASSY | 1 | | | | | |
| 66 | 36640425140 | VALVE,RELIEF | 1 | | | | | |
| 100 | 36648920000 | VALVE,SOLENOID CONTROL | 1 | | | | | |

GR-700E-1-00101 5 BOOM + 2 JIB, 2M2D

| Pos No. | Parts No | Parts Name | Qty | Unit | Technical Data | Serial No (Start) | Serial No (End) | Remarks |
|---------|-------------|---------------------|-----|------|----------------|-------------------|-----------------|---------|
| 1 | 34611208020 | CASE,INNER | 2 | | | | | |
| 2 | 36042420000 | CYLINDER,EXTENSION | 2 | | | | | |
| 3 | 36030290000 | CYLINDER,JACK | 2 | | | | | |
| 4 | 37002414430 | HOSE (TWIN) | 2 | | L=3870 | | | |
| 5 | 90172110050 | BOLT,HEXAGON SOCKET | 8 | | M10X50 | | | |
| 6 | 90303071001 | WASHER,PLAIN | 6 | | 10 | 545518 | | |
| 7 | 36620000000 | VALVE,PILOT CHECK | 2 | | | | | |
| 8 | 34610800100 | PLATE | 2 | | | | 545517 | |
| | 34611200100 | PLATE | 2 | | | 545518 | | |
| 9 | 90186210014 | BOLT,FLANGE | 36 | | M10X14 | | 545978 | |
| | 90186210014 | BOLT,FLANGE | 10 | | M10X14 | 545979 | | |
| 10 | 90101524100 | BOLT | 8 | | M24X100 | | | |
| 11 | 90302042401 | WASHER,SPRING | 8 | | 24 | | | |
| 12 | 34610802000 | FLOAT ASSY | 2 | | | | | |
| 13 | 34610491500 | COVER ASSY | 2 | | | | | |
| 14 | 37000110460 | PIN | 2 | | | | | |
| 15 | 37000100330 | PIN | 2 | | | | | |
| 16 | 80136340050 | PIN,SPLIT | 4 | | 4X50 | | | |
| 17 | 34610031010 | SUPPORT | 2 | | | | | |
| 18 | 82100002039 | CLAMP | 2 | | | | | |
| 19 | 90280200800 | NUT,FLANGE | 2 | | M8 | | | |
| 21 | 90186208020 | BOLT,FLANGE | 2 | | M8X20 | | | |
| 22 | 59420218000 | PLATE | N | | T=6.0 | | | |
| 23 | 59420219000 | PLATE | N | | T=7.0 | | | |
| 24 | 59420220000 | PLATE | N | | T=8.0 | | | |
| 25 | 59420221000 | PLATE | N | | T=9.0 | | | |
| 26 | 59420222000 | PLATE | N | | T=10 | | | |
| 27 | 37000506700 | PLATE | 2 | | T=6.0 | | 545517 | |
| | 37000583360 | PLATE | 2 | | T=6.0 | 545518 | | |
| 28 | 37000506710 | PLATE | 2 | | T=7.0 | | 545517 | |
| | 37000583370 | PLATE | 2 | | T=7.0 | 545518 | | |
| 29 | 37000506720 | PLATE | 2 | | T=8.0 | | 545517 | |
| | 37000583380 | PLATE | 2 | | T=8.0 | 545518 | | |
| 30 | 37000506730 | PLATE | 2 | | T=9.0 | | 545517 | |
| | 37000583390 | PLATE | 2 | | T=9.0 | 545518 | | |
| 31 | 37000506740 | PLATE | 2 | | T=10 | | 545517 | |
| | 37000583400 | PLATE | 2 | | T=10 | 545518 | | |
| 32 | 82100002535 | TUBE,SPIRAL | 2 | M | SE-29BK | | | |
| 33 | 80430620400 | JOINT | 4 | | | | | |
| 34 | 37002005820 | PLATE,SLIDE | 4 | | | | | |
| 35 | 37000538220 | PLATE | 4 | | | | | |
| 36 | 90102516055 | BOLT | 4 | | M16X55 | | | |
| 37 | 90201201600 | NUT | 4 | | M16 | | | |
| 38 | 90101210016 | BOLT | 8 | | M10X16 | 545979 | | |
| 39 | 90302041001 | WASHER,SPRING | 4 | | 10 | | | |
| | 90302041001 | WASHER,SPRING | 8 | | 10 | 545979 | | |
| 61 | 90191512045 | BOLT | 12 | | M12X45 | | | |
| 62 | 90302041201 | WASHER,SPRING | 12 | | 12 | | | |
| 63 | 34610031600 | COVER | 4 | | | | | |
| 65 | 82456101000 | NIPPLE,GREASE | 2 | | A-PT1/8 | | | |
| 71 | 34610491511 | COVER | 2 | | | | | |
| 72 | 90190000030 | BOLT | 4 | | M10X45 | | | |
| 73 | 90201201000 | NUT | 4 | | M10 | | | |
| 75 | 34610053200 | PLATE,SLIDE | 2 | | | | | |
| 81 | 91002801100 | O-RING | 4 | | 1B P11 | | | |
| 86 | 80136340050 | PIN,SPLIT | 4 | | 4X50 | | | |
| 100 | 34611208010 | OUTRIGGER ASSY | 2 | | | | | |

GR-700E-1-00101 5 BOOM + 2 JIB, 2M2D
PC1110003-04 BOX,OUTRIGGER OPERATION (RIGHT)

50



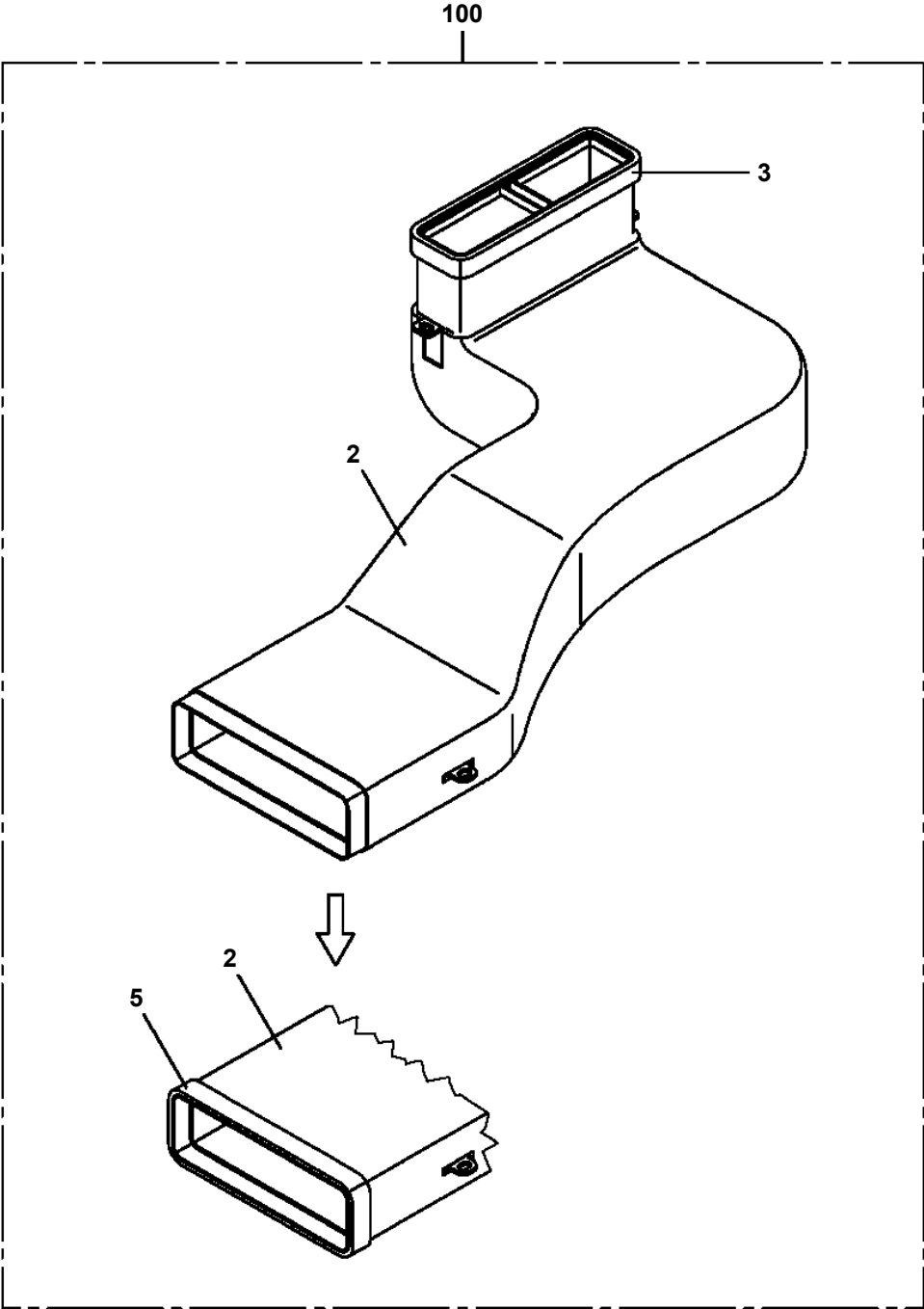
GR-700E-1-00101 5 BOOM + 2 JIB, 2M2D

| Pos No. | Parts No | Parts Name | Qty | Unit | Technical Data | Serial No (Start) | Serial No (End) | Remarks | Page |
|---------|-------------|------------------|-----|------|----------------|-------------------|-----------------|---------|------|
| 1 | 36320455490 | CONDENSER | 1 | | | | | | |
| 2 | 36320765010 | SUPPORT | 1 | | | | | | |
| 3 | 36320565030 | SUPPORT | 1 | | | | | | |
| 4 | 36320565040 | SUPPORT | 1 | | | | | | |
| 5 | 36320765020 | FAN ASSY | 1 | | | | | | |
| 6 | 36320565060 | PIPE | 1 | | | | | | |
| 7 | 36320765030 | RECEIVER (DRIER) | 1 | | | | | | |
| 8 | 36320765040 | BOLT | 4 | | | | | | |
| 9 | 36320765050 | BOLT | 6 | | | | | | |
| 10 | 36320765060 | NUT | 8 | | | | | | |
| 11 | 36320765070 | WASHER | 6 | | | | | | |
| 12 | 36320765080 | WASHER,SPRING | 8 | | | | | | |
| 13 | 36320455940 | BOLT | 1 | | | | | | |
| 14 | 36320565100 | WASHER | 2 | | | | | | |
| 100 | 36320762010 | CONDENSER ASSY | 1 | | | | | | |

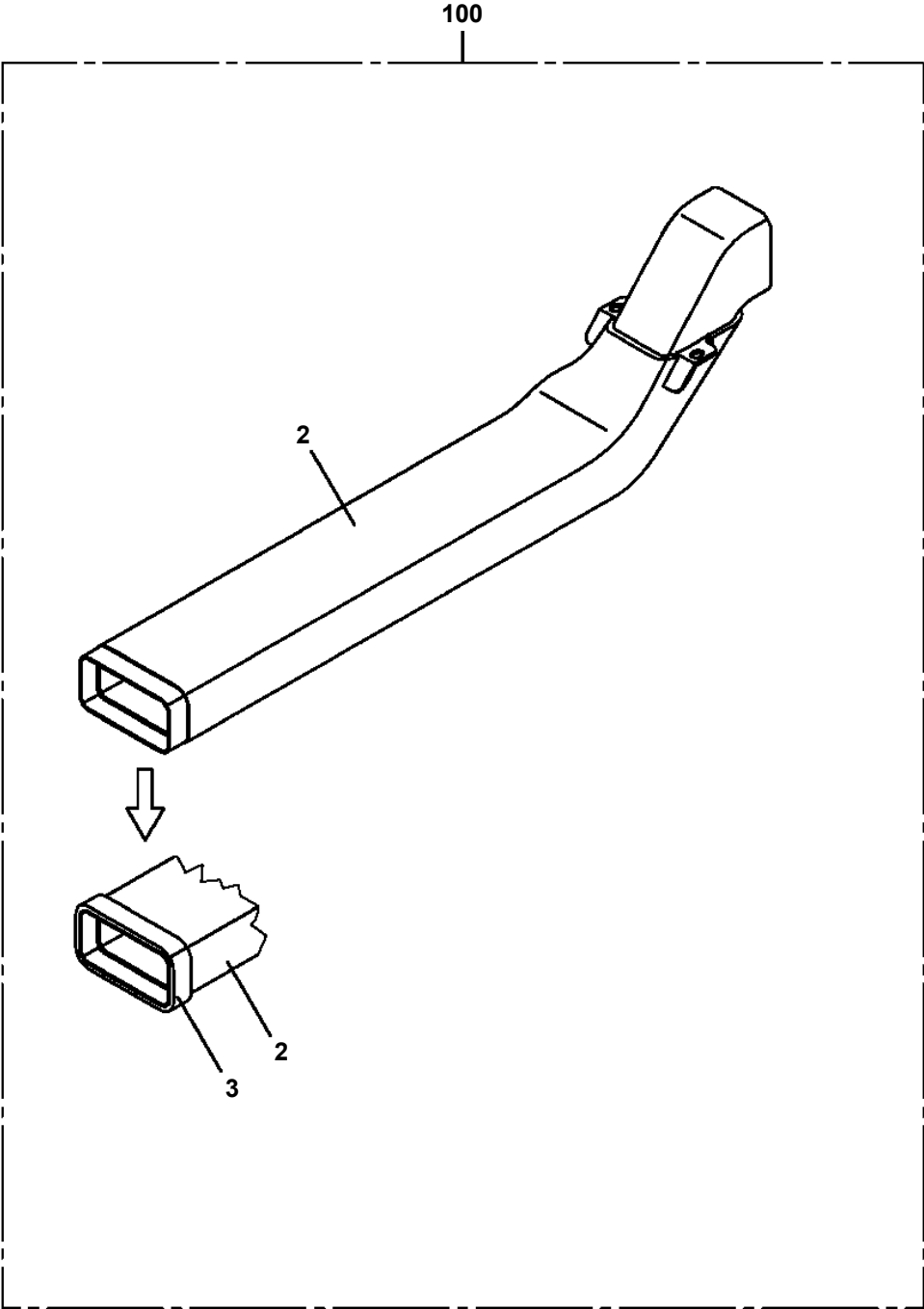
GR-700E-1-00101 5 BOOM + 2 JIB, 2M2D

| Pos No. | Parts No | Parts Name | Qty | Unit | Technical Data | Serial No (Start) | Serial No (End) | Rem |
|---------|-------------|---------------------|-----|------|-------------------|-------------------|-----------------|-----|
| 1 | 36081655010 | GEAR,SPUR | 1 | | | | | |
| 2 | 36081655020 | RETAINER | 1 | | | | | |
| 3 | 36081215030 | BEARING,ROLLER | 1 | | | | | |
| 4 | 36081655030 | CASING | 1 | | | | | |
| 5 | 91210100003 | SEAL,OIL | 1 | | | | | |
| 6 | 80500006318 | BEARING,BALL | 1 | | | | | |
| 7 | 80316090060 | PLUG | 2 | | KKT PT3/8 | | | |
| 10 | 36070925180 | RING,THRUST | 4 | | | | | |
| 11 | 36081215070 | BEARING,NEEDLE | 8 | | HL-PK35X47X19.8X1 | | | |
| 12 | 36081655050 | GEAR,PLANETARY | 4 | | | | | |
| 15 | 36081655130 | RING,THRUST | 1 | | | | | |
| 16 | 90101510040 | BOLT | 8 | | M10X40 | | | |
| 17 | 90302041001 | WASHER,SPRING | 8 | | 10 | | | |
| 18 | 36081655070 | GEAR,SUN | 1 | | | | | |
| 19 | 36081655080 | BRACKET | 1 | | | | | |
| 20 | 90101516050 | BOLT | 4 | | M16X50 | | | |
| 21 | 90302041601 | WASHER,SPRING | 4 | | 16 | | | |
| 22 | 80601110450 | RING,RITAINING | 1 | | S45 | | | |
| 23 | 36081655090 | COUPLING | 1 | | | | | |
| 24 | 36081655100 | GEAR,PLANETARY | 3 | | | | | |
| 25 | 36071915210 | BEARING,NEEDLE | 3 | | | | | |
| 26 | 36070845230 | RING,THRUST | 4 | | | | | |
| 28 | 36081655120 | GEAR,SUN | 1 | | | | | |
| 29 | 36081655140 | RING,RETAINING | 1 | | | | | |
| 30 | 90102210016 | BOLT | 2 | | M10X16 | | | |
| 31 | 36081655150 | WASHER,SEAL | 2 | | | | | |
| 51 | 36081655300 | CARRIER ASSY | 1 | | | | | |
| 52 | 36081655310 | CARRIER ASSY | 1 | | | | | |
| 100 | 36081651000 | REDUCER,SWING SPEED | 1 | | | | | |

GR-700E-1-00101 5 BOOM + 2 JIB, 2M2D
PD5360001-00 DUCT

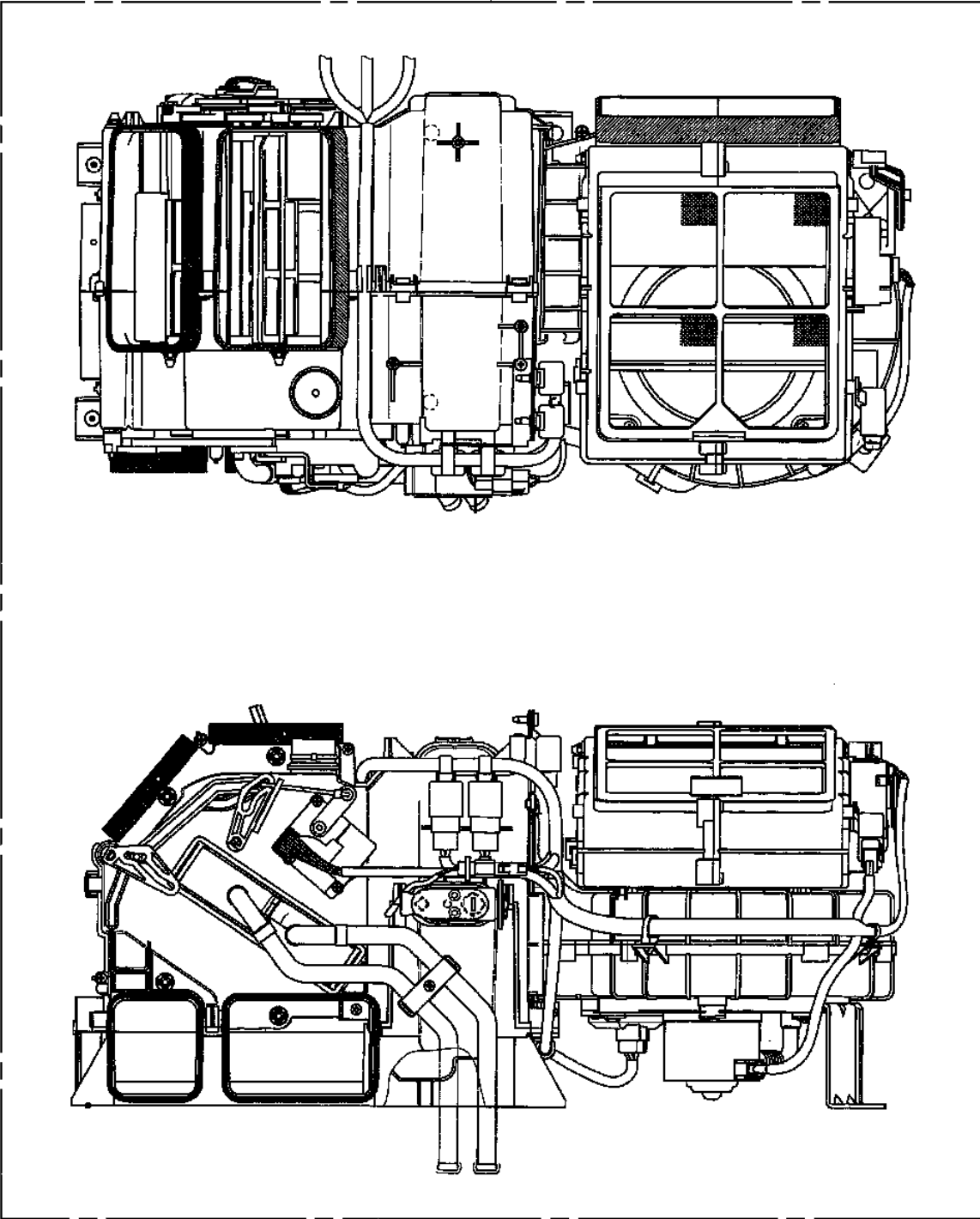


GR-700E-1-00101 5 BOOM + 2 JIB, 2M2D
PD5360006-00 DUCT



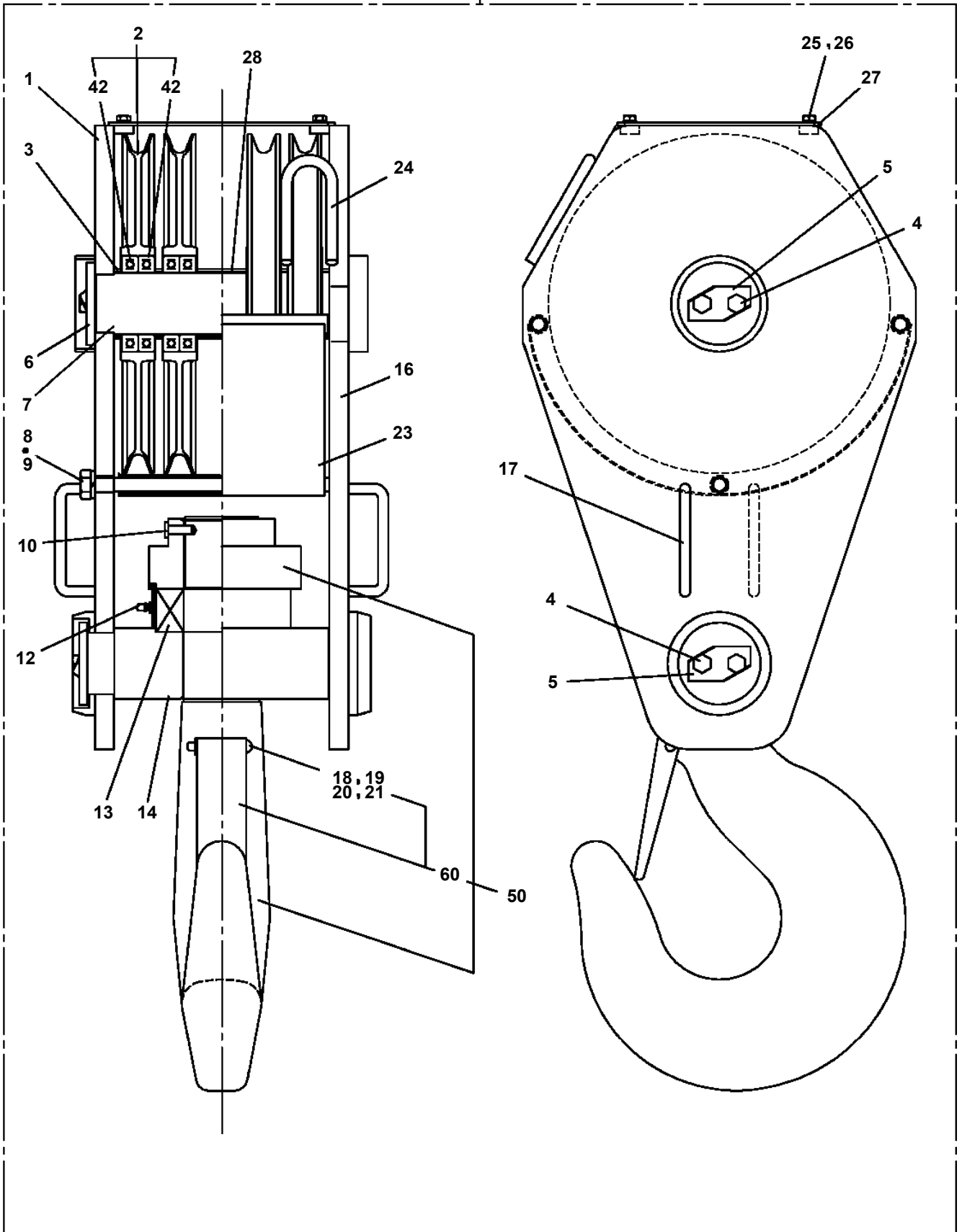
GR-700E-1-00101 5 BOOM + 2 JIB, 2M2D
PE5220001-02 EVAPORATOR ASSY

1 → 21

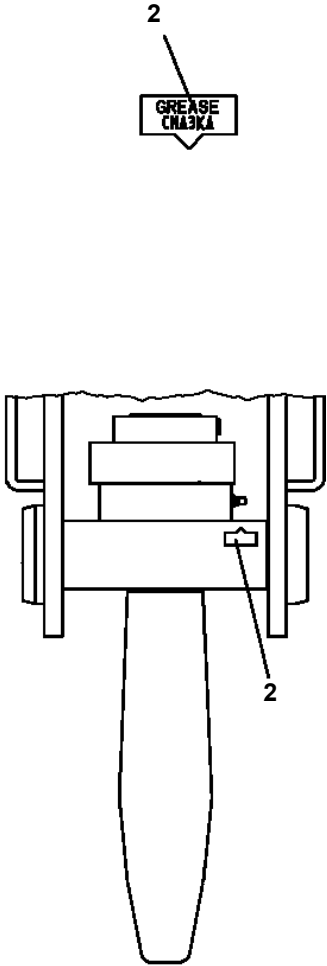
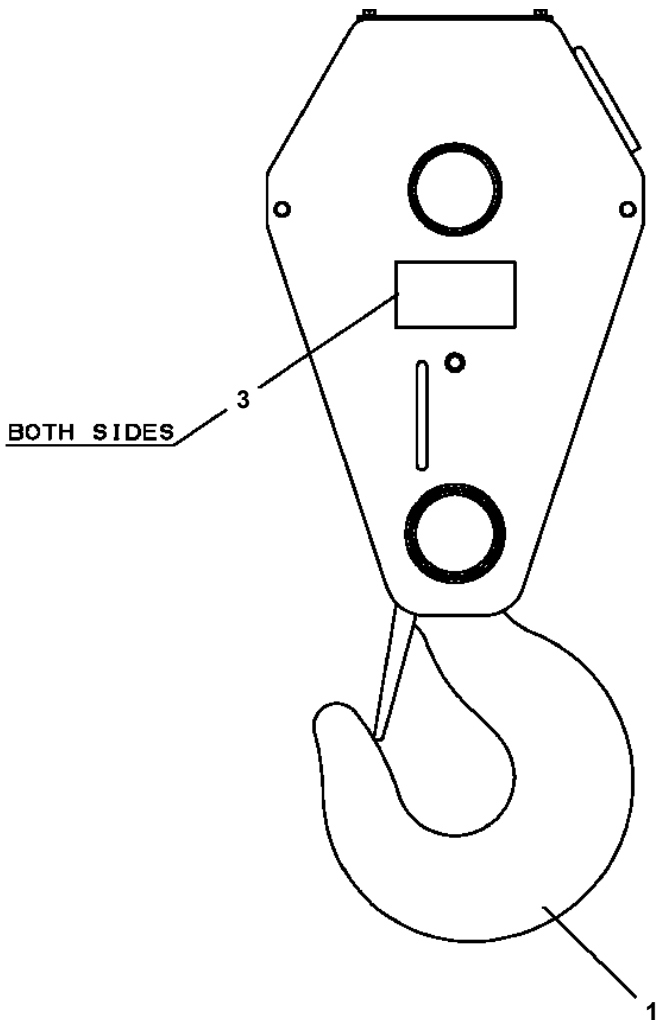


GR-700E-1-00101 5 BOOM + 2 JIB, 2M2D
PF1050345-00 HOOK (MAIN,40TON SHEAVE 4PC'S)

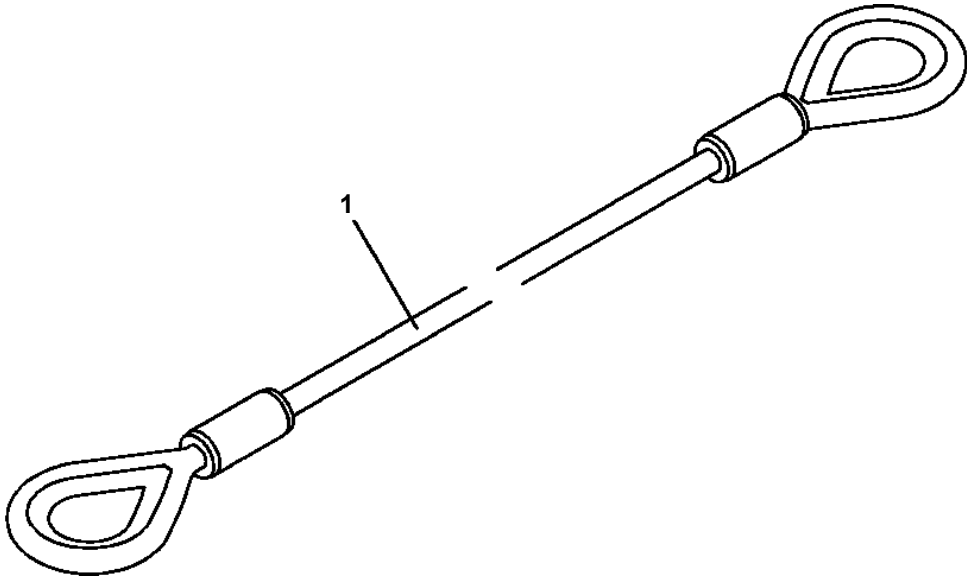
100



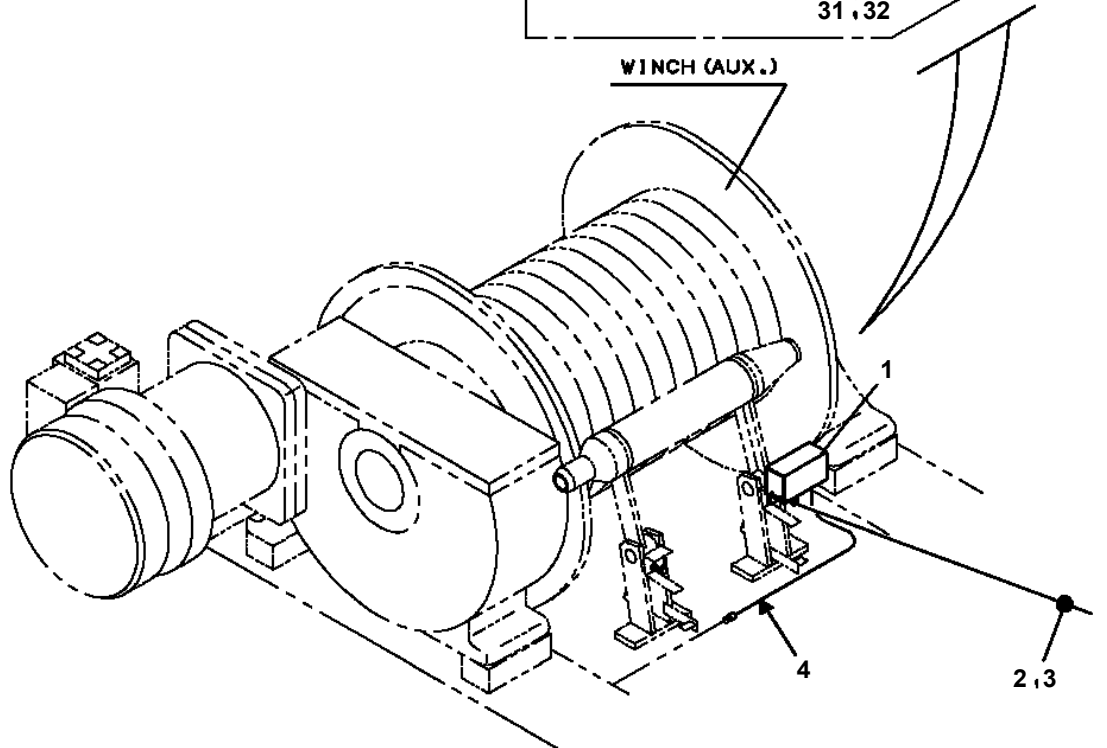
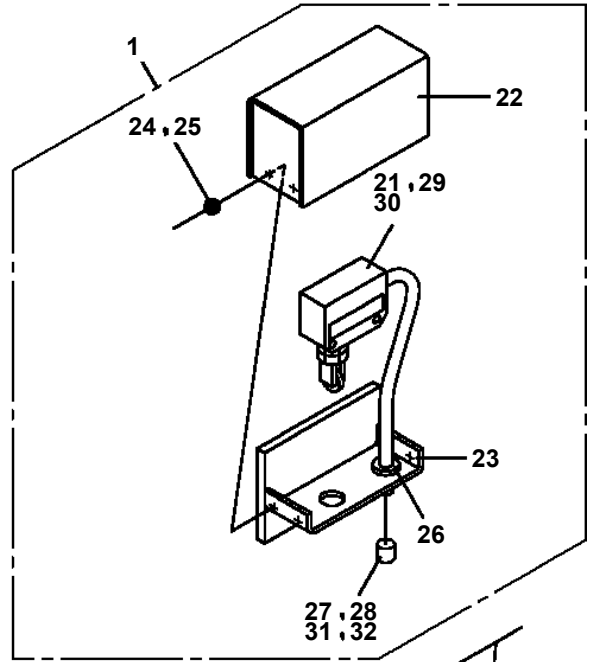
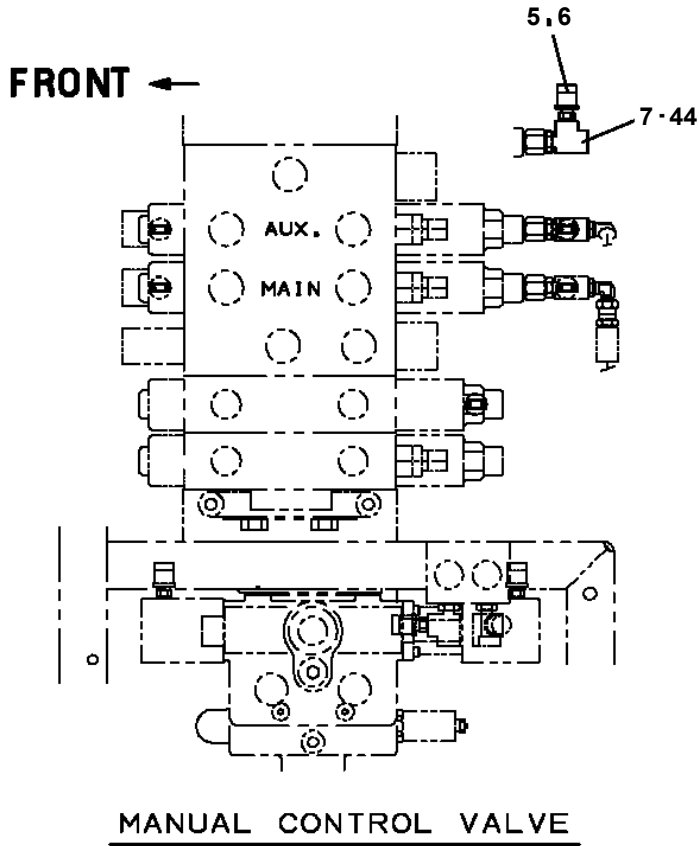
**GR-700E-1-00101 5 BOOM + 2 JIB, 2M2D
PF1050476-01 HOOK (40TON/ENG.& RUSSIAN)**



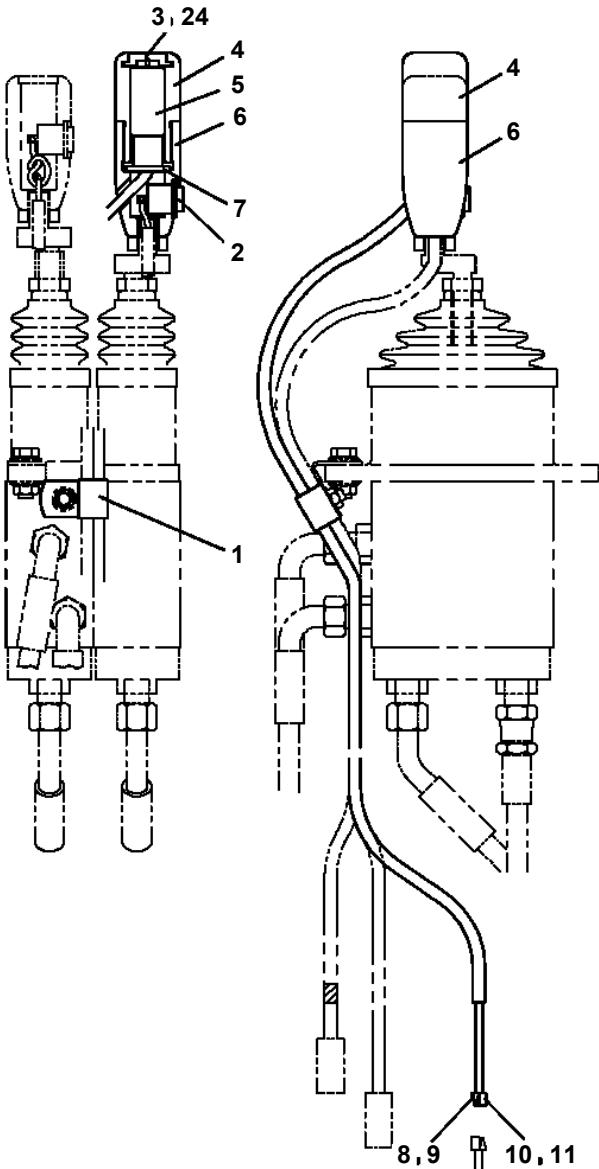
GR-700E-1-00101 5 BOOM + 2 JIB, 2M2D
PF1070024-00 ROPE,WIRE (MAIN HOOK STOWING)



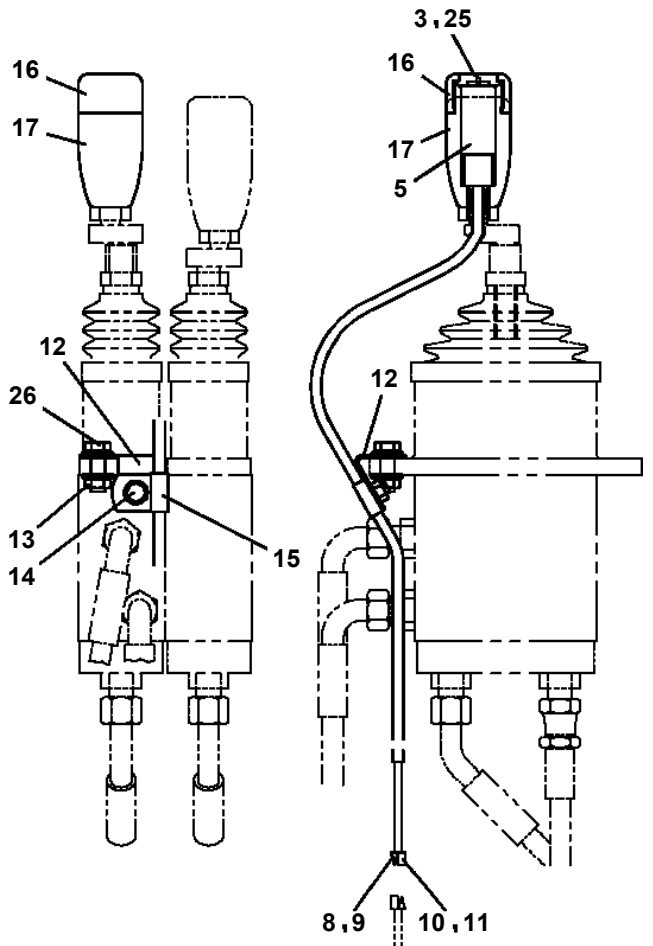
GR-700E-1-00101 5 BOOM + 2 JIB, 2M2D
PF1190041-00 DETECTOR, OVER UNWIND (AUX.)



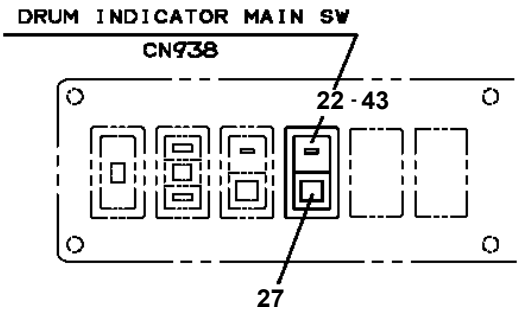
**GR-700E-1-00101 5 BOOM + 2 JIB, 2M2D
PF1250092-00 DETECTOR, DRUM ROTATION**



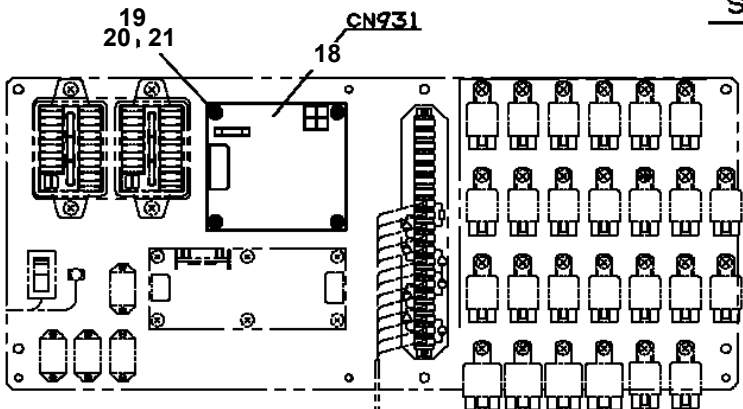
LEFT CONTROL LEVER



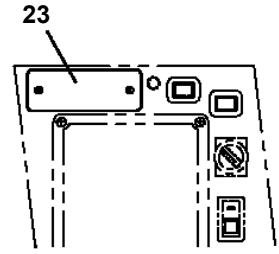
RIGHT CONTROL LEVER



SWITCH PANEL INSIDE CAB

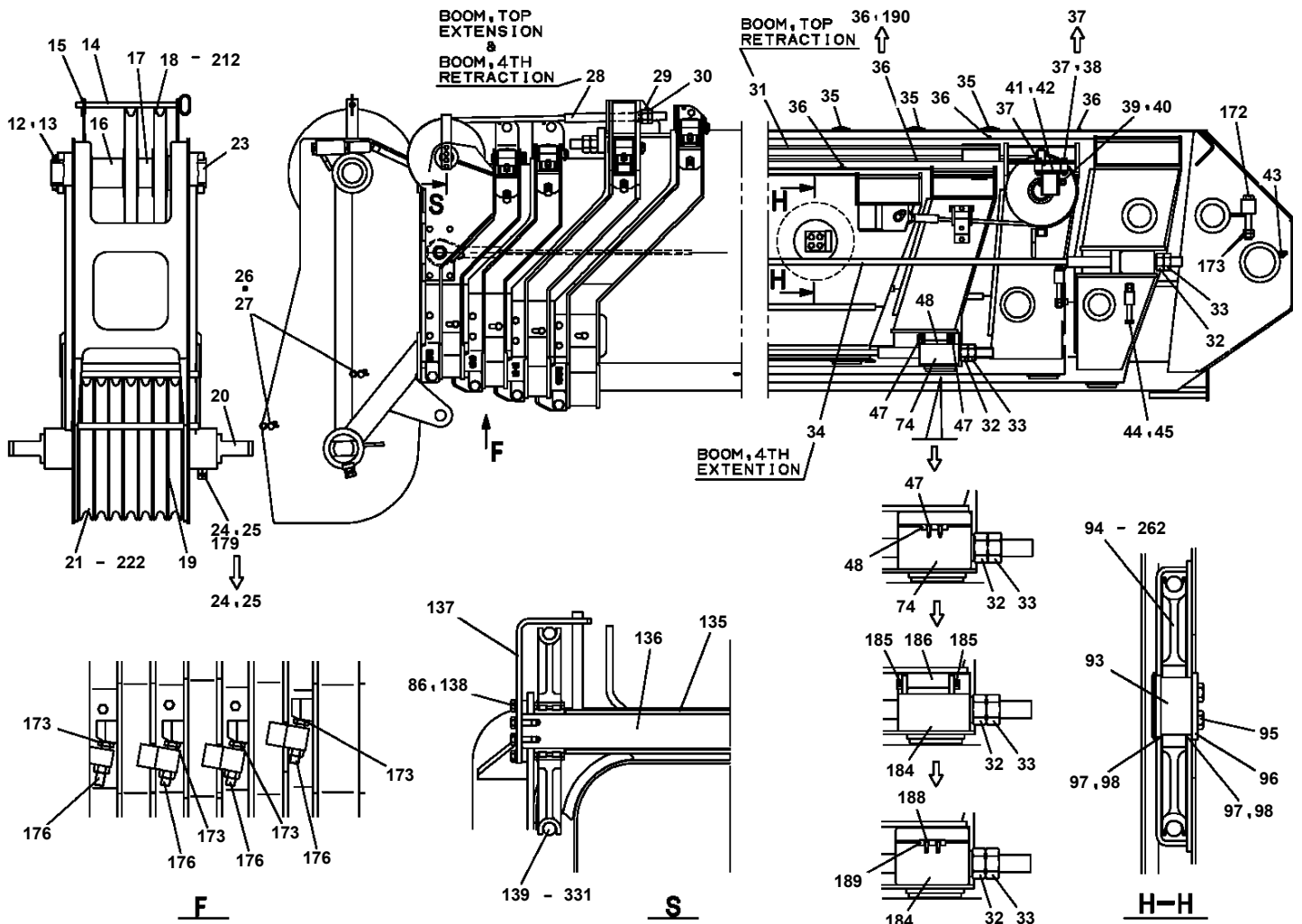


ELECTRICAL EQUIPMENT BOX INSIDE CAB



INSTRUMENT PANEL INSIDE CAB

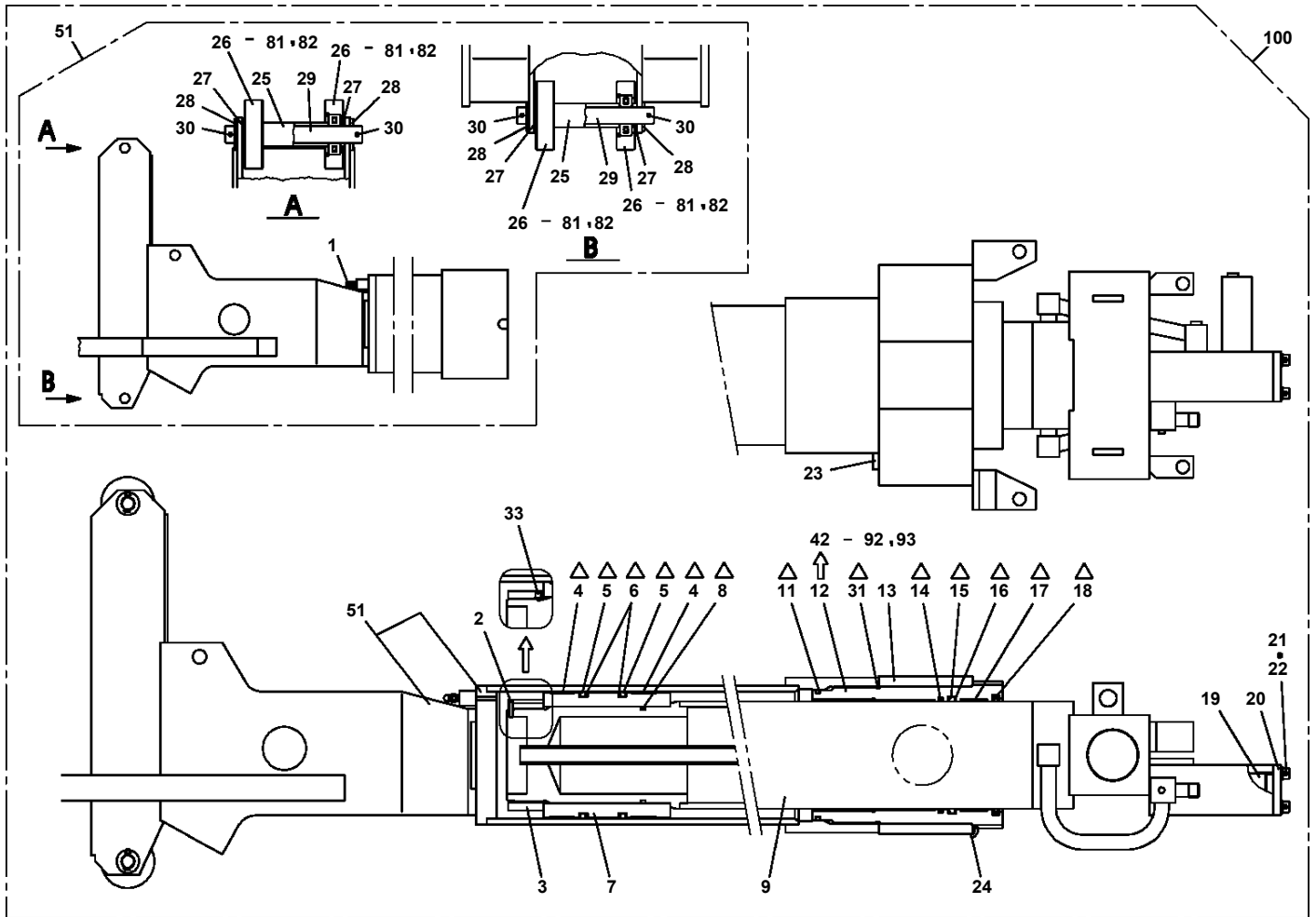
GR-700E-1-00101 5 BOOM + 2 JIB, 2M2D
PG1010781-09 BOOM (5 SECT.)



GR-700E-1-00101 5 BOOM + 2 JIB, 2M2D

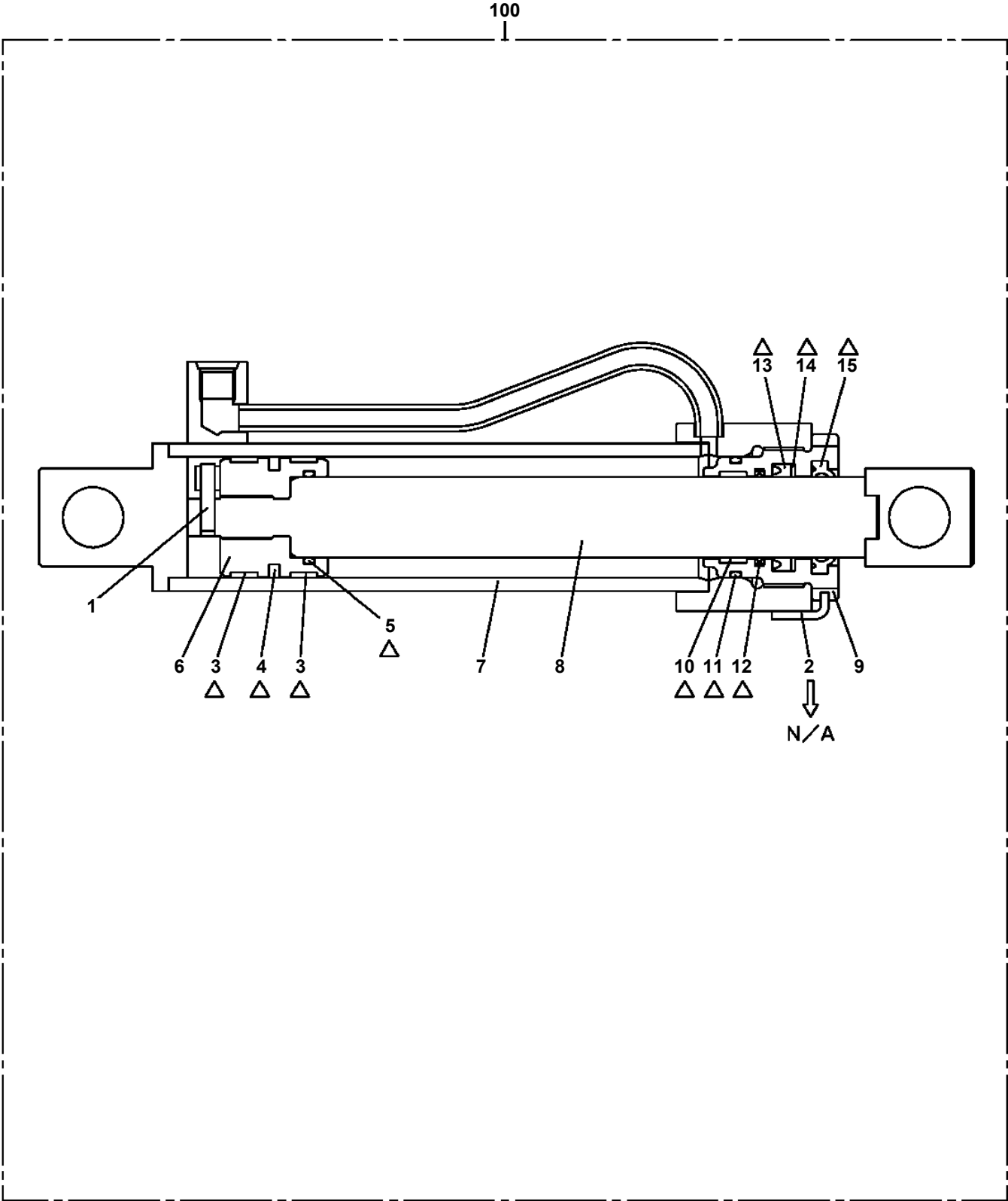
| Pos No. | Parts No | Parts Name | Qty | Unit | Technical Data | Serial No (Start) | Serial No (End) | Remarks | Pages |
|---------|-------------|----------------|-----|------|----------------|-------------------|-----------------|---------|--------|
| 1 | 34221549520 | JIB (TOP) | 1 | | | | | | 000100 |
| 2 | 34221549510 | JIB (BASE) | 1 | | | | | | 000099 |
| 3 | 34221542100 | SUPPORT | 1 | | | | | | |
| 4 | 37000200540 | PIN,SNAP | 1 | | D=25 | | | | |
| 5 | 37000114400 | PIN | 1 | | D=25,L=106 | | 545510 | | |
| | 37000108470 | PIN | 1 | | | 545511 | | | |
| 7 | 80601110900 | RING,RITAINING | 2 | | S90 | | | | |
| 8 | 37001002910 | SHEAVE ASSY | 1 | | | | | | |
| 9 | 82456101000 | NIPPLE,GREASE | 4 | | A-PT1/8 | | | | |
| 10 | 37000181770 | PIN | 4 | | | | | | |
| 11 | 37000201100 | PIN,SNAP | 4 | | | | | | |
| 18 | 34221542900 | PLATE | 12 | | | | | | |
| 19 | 37000181750 | PIN | 2 | | | | 547411 | | |
| | 37000181750 | PIN | 3 | | | 547412 | | | |
| 21 | 34221542800 | LINK | 2 | | | | | | |
| 22 | 37000300260 | PLATE | 4 | | T=0.6 | | | | |
| 23 | 37000300270 | PLATE | 6 | | T=1.0 | | 545510 | | |
| | 37000300270 | PLATE | 4 | | T=1.0 | 545511 | | | |
| 24 | 37000300280 | PLATE | 8 | | T=2.0 | | 545510 | | |
| | 37000300280 | PLATE | 4 | | T=2.0 | 545511 | | | |
| 25 | 37000100420 | PIN | 3 | | D=45,L=110 | | 545510 | | |
| | 37000100420 | PIN | 2 | | D=45,L=110 | 545511 | | | |
| 26 | 90303074501 | WASHER,PLAIN | 4 | | 45 | | | | |
| 27 | 80136363071 | PIN,SPLIT | 6 | | 6.3X71 | | | | |
| 28 | 34220072000 | STOPPER | 2 | | | | | | |
| 32 | 37000519910 | BAR | 1 | | | | | | |
| 33 | 37000145470 | PIN | 2 | | | | | | |
| 34 | 80136363090 | PIN,SPLIT | 4 | | | | | | |
| 35 | 37000530440 | PLATE | 3 | | | | | | |
| 36 | 34221542500 | PIN ASSY | 1 | | | | | | |
| 37 | 90203201600 | NUT | 4 | | M16 | | | | |
| 38 | 33220691500 | BOLT | 4 | | M16X38 | | | | |
| 39 | 33220691600 | PLATE | 4 | | | | | | |
| 40 | 34221542700 | PIN ASSY | 1 | | | | | | |
| 41 | 37000104060 | PIN | 1 | | | | | | |
| 42 | 34221542850 | SUPPORT | 1 | | | | 545510 | | |
| | 34221542851 | SUPPORT | 1 | | | 545511 | | | |
| 43 | 37000300050 | SPACER | 2 | | L=5 | | 545510 | | |
| | 37000300050 | SPACER | 4 | | L=5 | 545511 | | | |
| 44 | 37000102310 | PIN | 1 | | | | 545510 | | |
| | 37000111330 | PIN | 1 | | | 545511 | 547411 | | |
| 50 | 37000200760 | PIN,SNAP | 3 | | | | | | |
| 51 | 37000303870 | SPACER | 1 | | T=3 | | | | |
| 52 | 37000111320 | PIN | 1 | | | 545511 | | | |
| 54 | 37000312890 | SPACER | 2 | | L=5.5 | 545511 | | | |
| 72 | 80515006018 | BEARING,BALL | 2 | | | | | | |
| 81 | 34221542550 | PIN | 1 | | | | | | |
| 82 | 90306000260 | WASHER (WAVE) | 8 | | | | | | |
| 83 | 34221542650 | BOLT | 2 | | | | | | |
| 84 | 34221542600 | PIN | 2 | | | | | | |
| 91 | 34221542750 | PIN | 1 | | | | | | |
| 100 | 34221548010 | JIB ASSY | 1 | | | | | | |

GR-700E-1-00101 5 BOOM + 2 JIB, 2M2D
PG1050480-04 CYLINDER,TELESCOPING (NO.2)



△:PACKING SET KEY NO.61 (KEY NO.4,5,6,8,11,14,15,16,17,18,31)

GR-700E-1-00101 5 BOOM + 2 JIB, 2M2D
PG1080081-00 CYLINDER,JIB

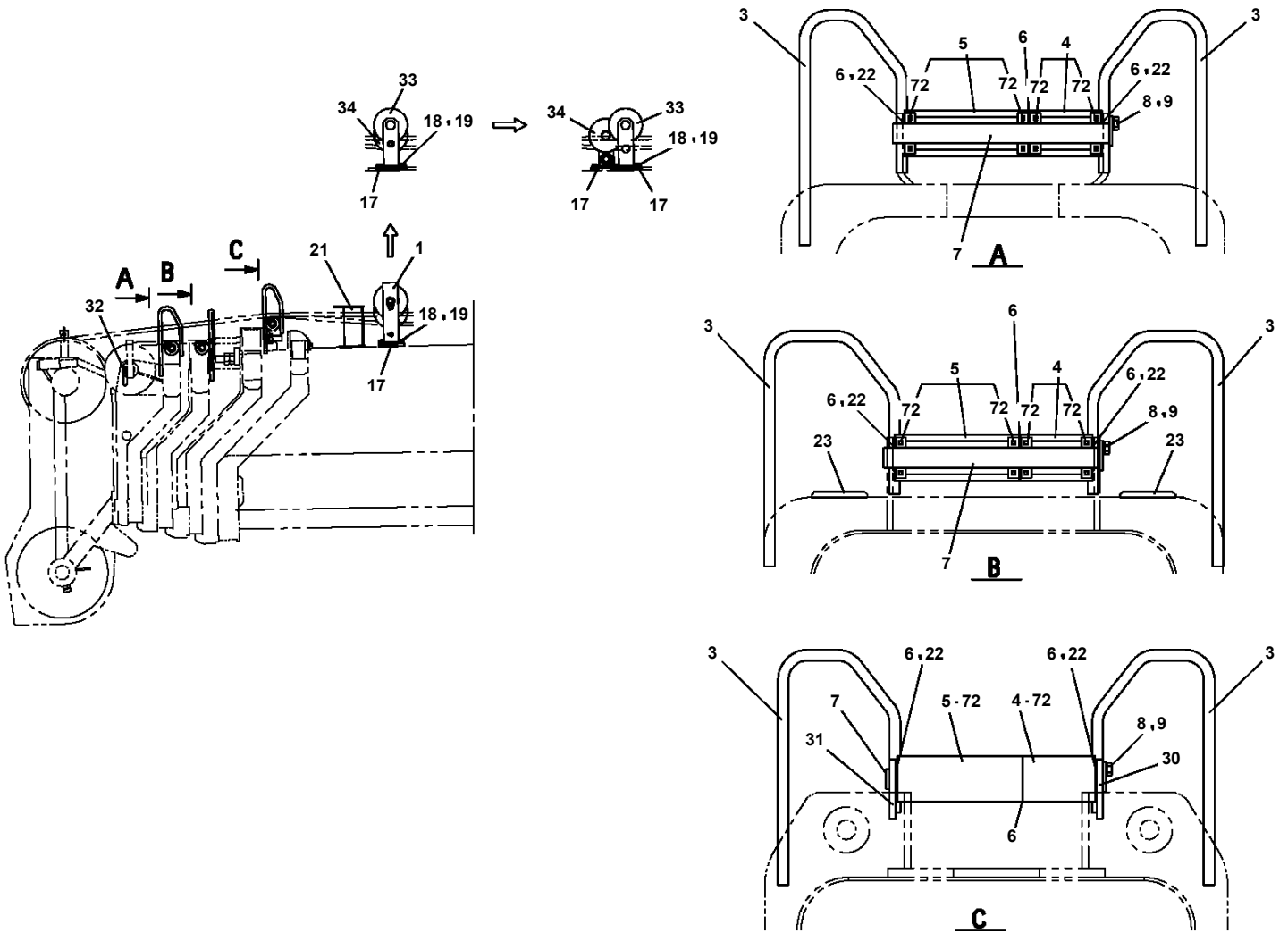


△:PACKING SET KEY NO.41 (KEY NO.3,4,5,10,11,12,13,14,15)

GR-700E-1-00101 5 BOOM + 2 JIB, 2M2D

| Pos No. | Parts No | Parts Name | Qty | Unit | Technical Data | Serial No (Start) | Serial No (End) | Remarks | Page |
|---------|-------------|-----------------|-----|------|----------------|-------------------|-----------------|---------|------|
| 2 | 80302090241 | FITTING | 1 | | KCO18-040N | | | | |
| 3 | 91002801800 | O-RING | 1 | | 1B P18 | | | | |
| 4 | 37000711010 | CLAMP ASSY | 2 | | 18X1 | | | | |
| 7 | 37002447930 | HOSE | 1 | | L=1300 | | | | |
| 9 | 80320030180 | FITTING,ELBOW | 2 | | KLE22-060N | | | | |
| 10 | 37000711030 | CLAMP ASSY | 5 | | 22X1 | | | | |
| 12 | 37000711060 | CLAMP ASSY | 2 | | 28X1 | | | | |
| 14 | 81408000241 | PIPE,STEEL | 3 | M | 18X1.9T | | | | |
| 15 | 81408000290 | PIPE,STEEL | 3 | M | 22X2.5T | | | | |
| 16 | 81408000290 | PIPE,STEEL | 2 | M | 22X2.5T | | | | |
| 17 | 81408000290 | PIPE,STEEL | 2 | M | 22X2.5T | | | | |
| 18 | 81408000290 | PIPE,STEEL | 1 | M | 22X2.5T | | | | |
| 19 | 90101208060 | BOLT | 2 | | M8X60 | | | | |
| 20 | 36649750000 | VALVE,HYDRAULIC | 1 | | | | | | 0001 |
| 21 | 90302040801 | WASHER,SPRING | 2 | | 8 | | | | |
| 22 | 80301010200 | FITTING | 1 | | KUA22-000N | | | | |
| 23 | 80302090281 | FITTING | 4 | | KCO22-060N | | | | |
| 24 | 91002802400 | O-RING | 5 | | 1B P24 | | | | |
| 25 | 80302090251 | FITTING | 1 | | KCO018-060N | | | | |
| 26 | 33341460370 | ROLLER | 1 | | | | | | |
| 27 | 90101210032 | BOLT | 2 | | M10X32 | | | | |
| 28 | 90302041001 | WASHER,SPRING | 2 | | 10 | | | | |
| 29 | 90303071001 | WASHER,PLAIN | 2 | | 10 | | | | |
| 30 | 90201201000 | NUT | 2 | | M10 | | | | |
| 31 | 37002414440 | HOSE | 1 | | L=1300 | | | | |
| 41 | 37000910030 | JOINT | 1 | | | | | | |
| 42 | 91002801800 | O-RING | 1 | | 1B P18 | | | | |
| 43 | 34344362600 | ROLLER ASSY | 1 | | | | | | |
| 44 | 90186210025 | BOLT,FLANGE | 4 | | M10X25 | | | | |
| 45 | 90280201000 | NUT,FLANGE | 4 | | M10 | | | | |
| 46 | 90101212035 | BOLT | 4 | | M12X35 | | | | |
| 47 | 90302041201 | WASHER,SPRING | 4 | | 12 | | | | |
| 48 | 34420611000 | REEL,HOSE | 1 | | | | | | 0001 |
| 61 | 34344362700 | SUPPORT | 1 | | | | | | |
| 62 | 37001104550 | ROLLER | 3 | | | | | | |
| 63 | 90101208012 | BOLT | 3 | | M8X12 | | | | |
| 64 | 90302040801 | WASHER,SPRING | 3 | | 8 | | | | |
| 65 | 37000102930 | PIN | 3 | | | | | | |
| 66 | 90303071401 | WASHER,PLAIN | 6 | | 14 | | | | |

GR-700E-1-00101 5 BOOM + 2 JIB, 2M2D
PG1360237-03 WIRE GUIDE (BOOM)



GR-700E-1-00101 5 BOOM + 2 JIB, 2M2D

| Pos No. | Parts No | Parts Name | Qty | Unit | Technical Data | Serial No (Start) | Serial No (End) | Remarks | Pages |
|---------|-------------|-------------|-----|------|----------------|-------------------|-----------------|---------|-------|
| 1 | 82108901190 | SWITCH | 1 | | | | | | |
| 2 | 34951420100 | SUPPORT | 1 | | | | | | |
| 3 | 90186208014 | BOLT,FLANGE | 2 | | M8X14 | | | | |

GR-700E-1-00101 5 BOOM + 2 JIB, 2M2D

| Pos No. | Parts No | Parts Name | Qty | Unit | Technical Data | Serial No (Start) | Serial No (End) | Remarks | Pages |
|---------|-------------|-------------|-----|------|----------------|-------------------|-----------------|---------|-------|
| 1 | 82108901190 | SWITCH | 1 | | | | 546165 | | |
| | 82108501100 | SWITCH | 1 | | FL7M-5A6N-901 | 546166 | | | |
| 2 | 34951730100 | SUPPORT | 1 | | | | | | |
| 3 | 90186208014 | BOLT,FLANGE | 2 | | M8X14 | | | | |

GR-700E-1-00101 5 BOOM + 2 JIB, 2M2D

| Pos No. | Parts No | Parts Name | Qty | Unit | Technical Data | Serial No (Start) | Serial No (End) | Remarks |
|---------|-------------|----------------------|-----|------|----------------|-------------------|-----------------|---------|
| 1 | 36180110000 | SENDER,PRESSURE | 1 | | | | | |
| 2 | 82100002004 | CLAMP | 8 | | WR8 | | | |
| 3 | 90280200600 | NUT,FLANGE | 10 | | M6 | | | |
| 4 | 82100002037 | CLAMP | 3 | | WE10 | | | |
| 5 | 90190000008 | BOLT,STUD | 3 | | M6X20 | | | |
| 6 | 34362791101 | HARNESS | 1 | | | | | |
| 7 | 91810130250 | FASTENER | 6 | | | | | |
| 8 | 36180160000 | SENDER,PRESSURE | 1 | | | | | |
| 9 | 34362931300 | HARNESS (RETRACTION) | 1 | | | | | |
| 10 | 34362931200 | HARNESS (EXTENSION) | 1 | | | | | |
| 21 | 91002801400 | O-RING | 2 | | 1B P14 | | | |

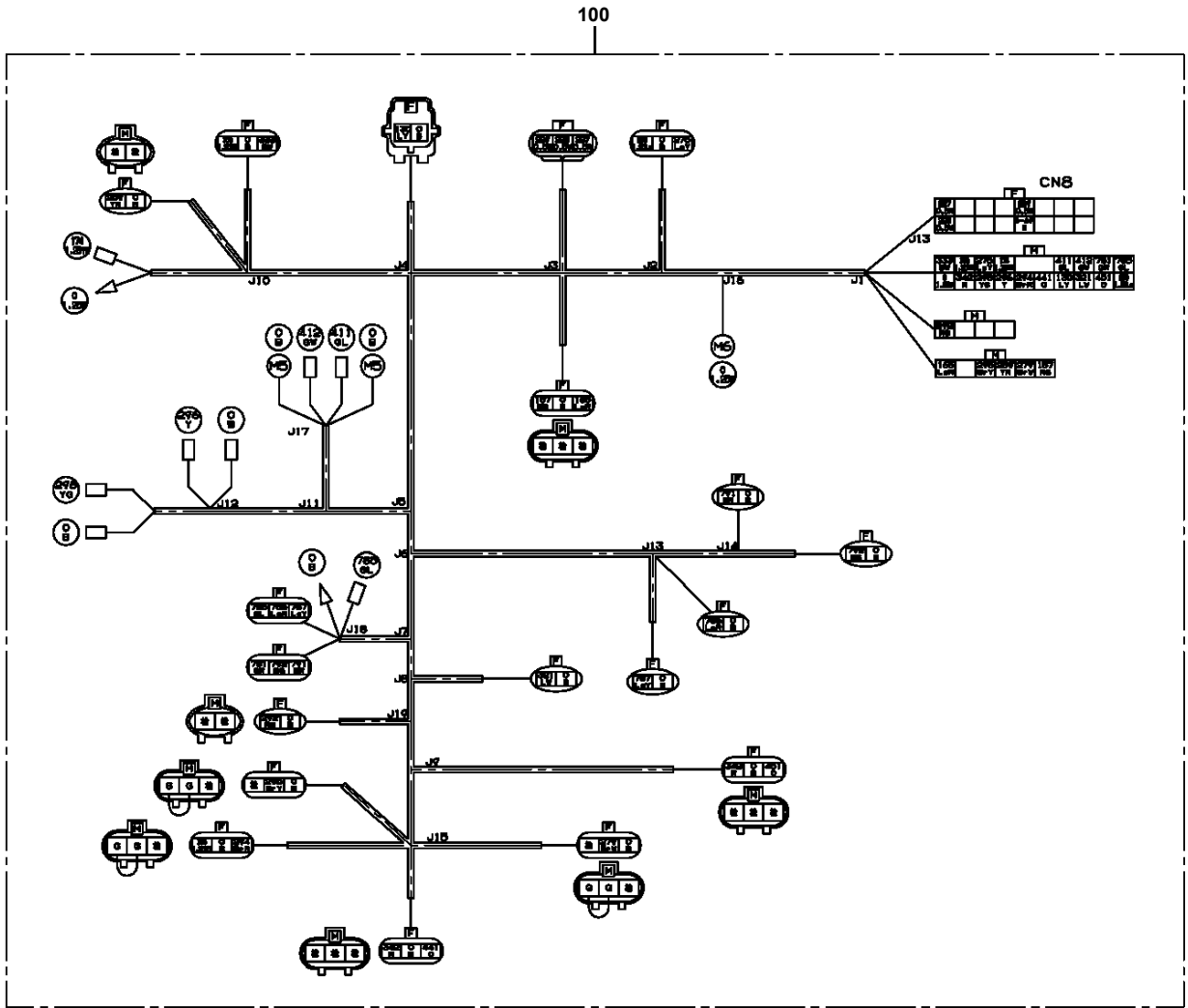
GR-700E-1-00101 5 BOOM + 2 JIB, 2M2D

| Pos No. | Parts No | Parts Name | Qty | Unit | Technical Data | Serial No (Start) | Serial No (End) | Remarks | Page |
|---------|-------------|------------------|-----|------|----------------|-------------------|-----------------|---------|------|
| 1 | 36320762200 | HARNESS (MAIN A) | 1 | | | | | | |

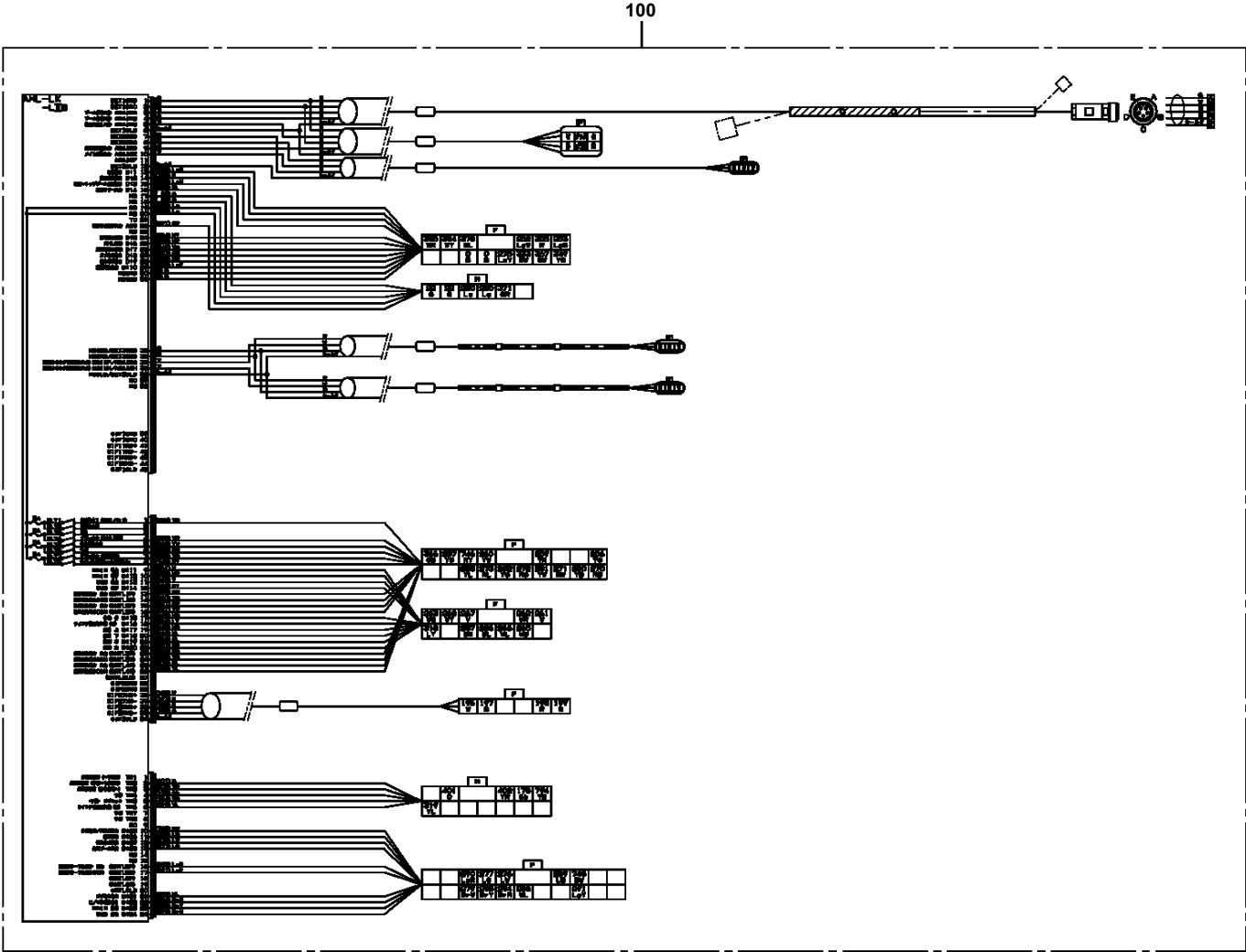
GR-700E-1-00101 5 BOOM + 2 JIB, 2M2D

| Pos No. | Parts No | Parts Name | Qty | Unit | Technical Data | Serial No (Start) | Serial No (End) | Remarks | Pages |
|---------|-------------|------------|-----|------|----------------|-------------------|-----------------|---------|-------|
| 100 | 34492500100 | HARNESS | 1 | | | | | | |

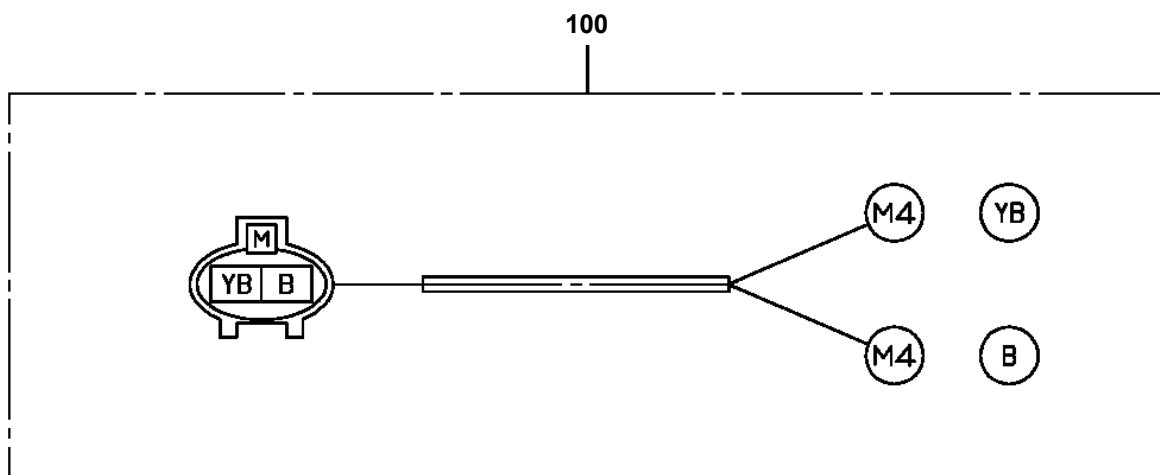
GR-700E-1-00101 5 BOOM + 2 JIB, 2M2D
PH5033667-00 HARNESS (SWING FRAME/RIGHT)



GR-700E-1-00101 5 BOOM + 2 JIB, 2M2D
PH5033673-00 HARNESS

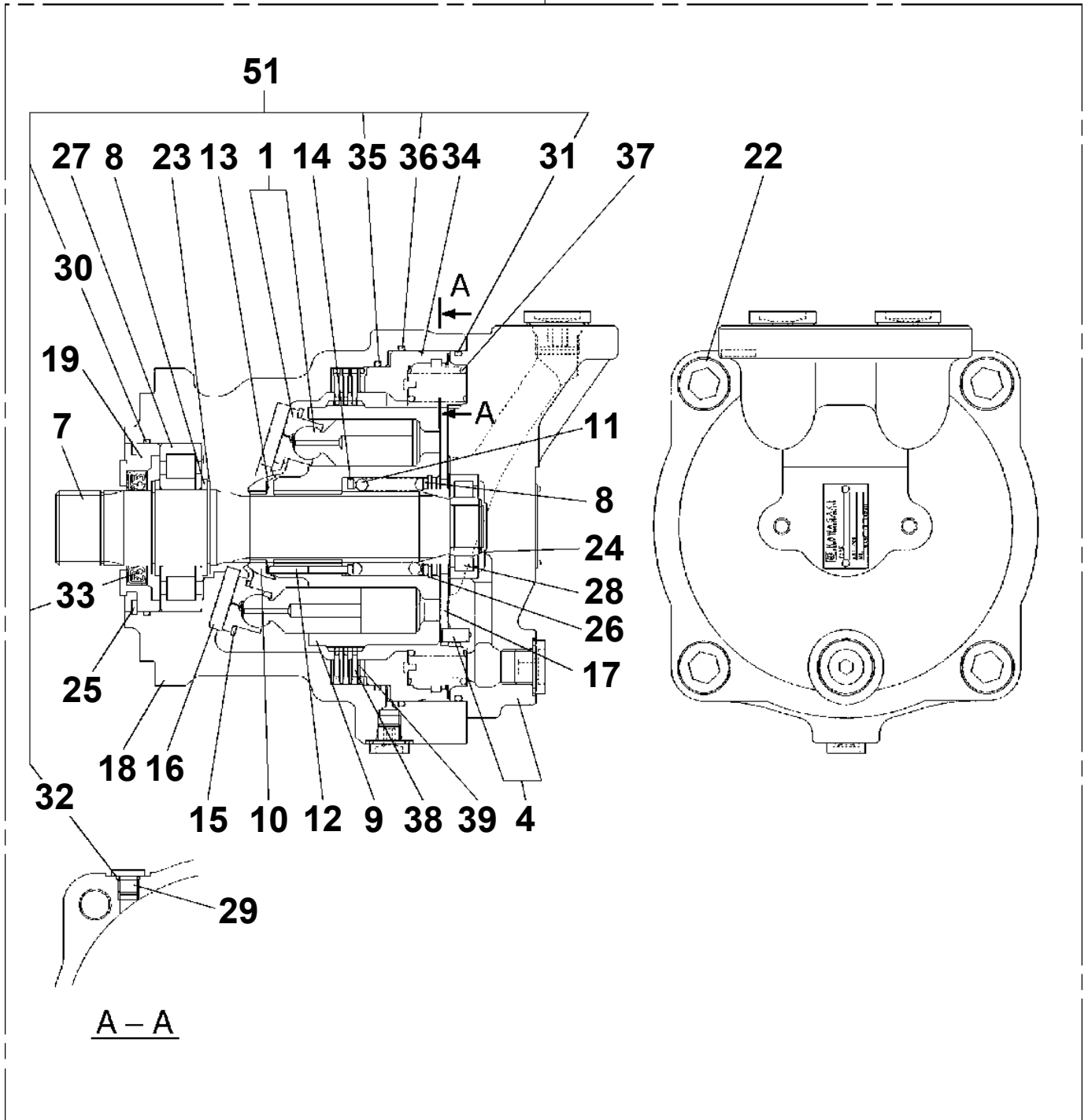


GR-700E-1-00101 5 BOOM + 2 JIB, 2M2D
PH5034282-00 HARNESS



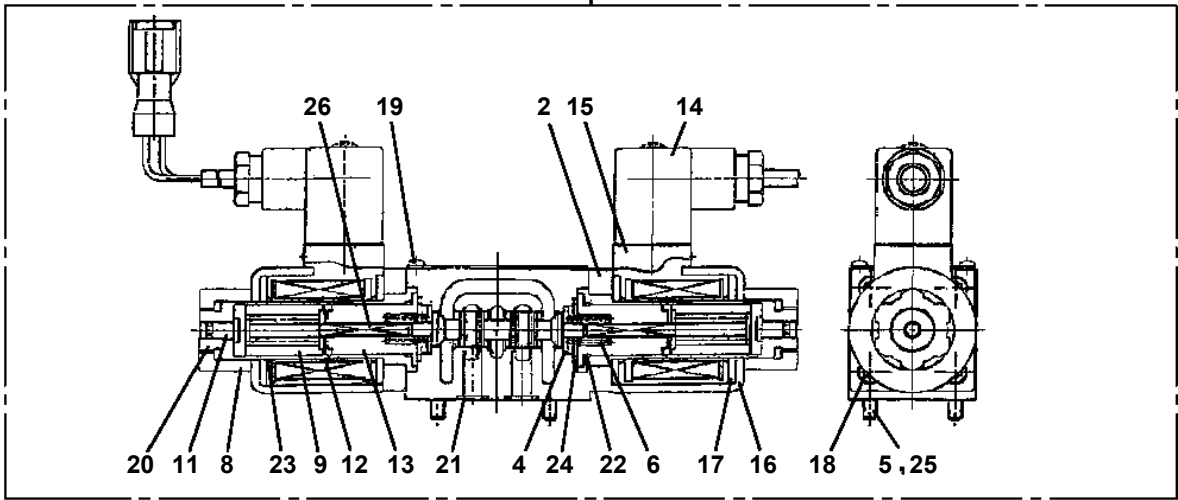
GR-700E-1-00101 5 BOOM + 2 JIB, 2M2D
PI1010192-00 MOTOR, HYDRAULIC

100

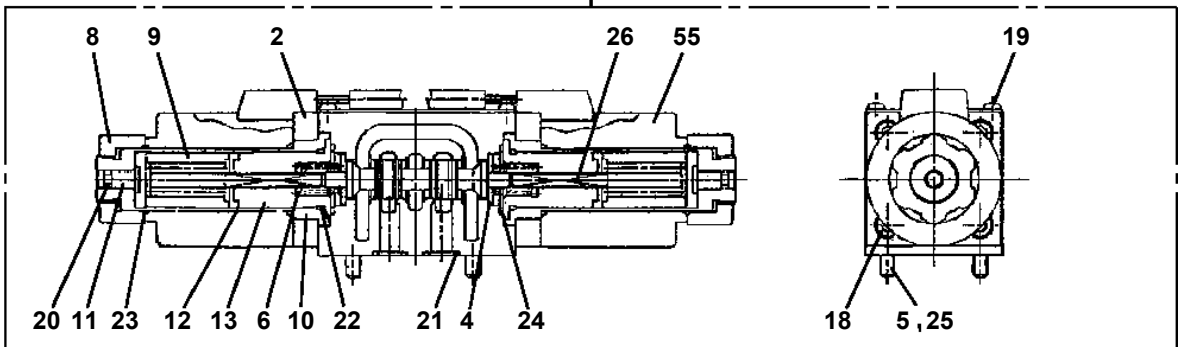


**GR-700E-1-00101 5 BOOM + 2 JIB, 2M2D
PI1120135-05 VALVE,SOLENOID (NACHI)**

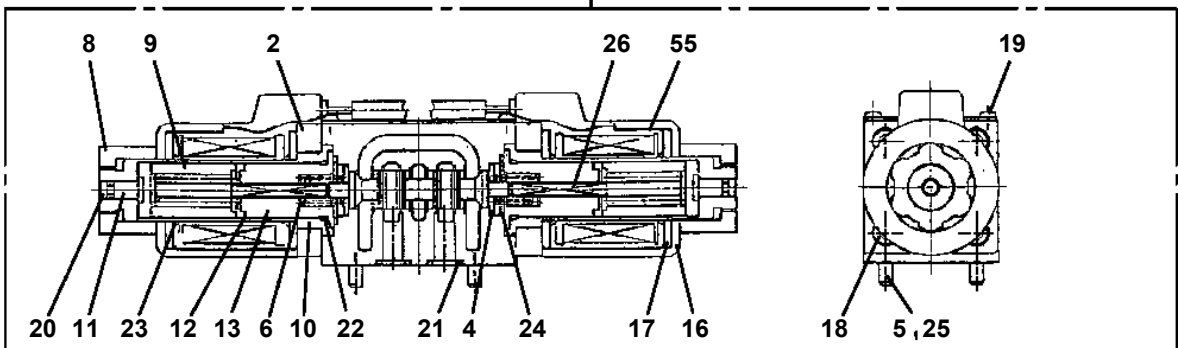
100



100



100



GR-700E-1-00101 5 BOOM + 2 JIB, 2M2D

| Pos No. | Parts No | Parts Name | Qty | Unit | Technical Data | Serial No (Start) | Serial No (End) | Remarks | Pages |
|---------|-------------|----------------|-----|------|----------------|-------------------|-----------------|---------|-------|
| 21 | 36643865010 | SPRING | 4 | | | | | | |
| 41 | 91002802200 | O-RING | 4 | | 1B P22 | | | | |
| 42 | 91002800900 | O-RING | 4 | | 1B P9 | | | | |
| 43 | 91002800600 | O-RING | 1 | | 1B P6 | | | | |
| 61 | 36645555010 | VALVE,SOLENOID | 4 | | | | | | |
| 71 | 91000501300 | O-RING | 4 | | AS568-013 | | | | |
| 72 | 91000501400 | O-RING | 4 | | 014 1115-70 | | | | |
| 73 | 91000501500 | O-RING | 4 | | AS568-015 | | | | |
| 74 | 91002802000 | O-RING | 4 | | 1B P20 | | | | |
| 100 | 36643860002 | VALVE,SOLENOID | 1 | | | | | | |

GR-700E-1-00101 5 BOOM + 2 JIB, 2M2D

| Pos No. | Parts No | Parts Name | Qty | Unit | Technical Data | Serial No (Start) | Serial No (End) | Remarks |
|---------|-------------|-----------------------|-----|------|----------------|-------------------|-----------------|---------|
| 5 | 36648885050 | SOLENOID | 2 | | | | 549555 | |
| | 36640035011 | SOLENOID | 2 | | | 549556 | | |
| 10 | 36648135010 | BOLT,HEXAGON SOCKET | 4 | | M5X10 | | | |
| 11 | 36648135020 | WASHER,PLAIN | 2 | | 4 | | | |
| 12 | 36648135030 | RIVET | 2 | | | | | |
| 14 | 36648135040 | BALL,STEEL | 2 | | 5/16 | | | |
| 15 | 36648135050 | O-RING | 2 | | 1A P16 | | | |
| 16 | 36646975110 | PLUG (HEXAGON SOCKET) | 4 | | | | | |
| 100 | 36648130000 | VALVE,SOLENOID | 1 | | | | | |

GR-700E-1-00101 5 BOOM + 2 JIB, 2M2D

| Pos No. | Parts No | Parts Name | Qty | Unit | Technical Data | Serial No (Start) | Serial No (End) | Remarks | Pages |
|---------|-------------|----------------|-----|------|----------------|-------------------|-----------------|---------|-------|
| 1 | 36645900000 | VALVE,SOLENOID | 1 | | | | | | 00017 |
| 2 | 36645751000 | BODY | 1 | | | | | | |
| 3 | 36622090010 | VALVE | 1 | | | | | | |
| 4 | 80316030080 | PLUG | 1 | | PT1/2 | | | | |
| 50 | 36645750000 | VALVE,SOLENOID | 1 | | | | | | |

GR-700E-1-00101 5 BOOM + 2 JIB, 2M2D

| Pos No. | Parts No | Parts Name | Qty | Unit | Technical Data | Serial No (Start) | Serial No (End) | Remarks |
|---------|-------------|---------------------|-----|------|----------------|-------------------|-----------------|---------|
| 5 | 36640665010 | COVER | 3 | | | | | |
| 6 | 36640665020 | SPRING | 1 | | | | | |
| 7 | 36640665030 | SPRING | 1 | | | | | |
| 8 | 36640665040 | SPRING | 1 | | | | | |
| 9 | 91002903000 | O-RING | 3 | | 1B G30 | | | |
| 10 | 80316030100 | PLUG | 1 | | PT3/4 | | | |
| 11 | 80316030040 | PLUG | 2 | | PT1/4 | | | |
| 12 | 80316030080 | PLUG | 1 | | PT1/2 | | | |
| 13 | 90302041001 | WASHER,SPRING | 12 | | 10 | | | |
| 14 | 90131510030 | BOLT,HEXAGON SOCKET | 12 | | M10X30 | | | |
| 20 | 36640660000 | VALVE,HYDRAULIC | 1 | | | | | |

GR-700E-1-00101 5 BOOM + 2 JIB, 2M2D

| Pos No. | Parts No | Parts Name | Qty | Unit | Technical Data | Serial No (Start) | Serial No (End) | Remarks | Pages |
|---------|-------------|-------------|-----|------|----------------|-------------------|-----------------|---------|-------|
| 1 | 36624535100 | BODY | 1 | | | | | | |
| 2 | 36624525200 | VALVE,CHECK | 1 | | | | | | |
| 3 | 36624525300 | SPRING | 1 | | | | | | |
| 4 | 91002801800 | O-RING | 1 | | 1B P18 | | | | |
| 5 | 36624525500 | PLUG | 1 | | | | | | |
| 6 | 36624525600 | COLLAR | 1 | | | | | | |
| 30 | 36624530000 | VALVE,CHECK | 1 | | | | | | |

GR-700E-1-00101 5 BOOM + 2 JIB, 2M2D

| Pos No. | Parts No | Parts Name | Qty | Unit | Technical Data | Serial No (Start) | Serial No (End) | Remarks |
|---------|-------------|---------------------|-----|------|----------------|-------------------|-----------------|---------|
| 2 | 36610245010 | SPRING | 1 | | | | | |
| 4 | 36610245021 | PLUG | 1 | | | | | |
| 5 | 36610245031 | PLUG | 1 | | | | | |
| 6 | 91002802000 | O-RING | 2 | | 1B P20 | | | |
| 7 | 36610775010 | RELIEF ASSY | 1 | | | | | |
| 17 | 36610245050 | SPRING | 1 | | | | | |
| 18 | 36610245060 | SPRING | 1 | | | | | |
| 20 | 16065132360 | BOLT (ADJUSTING) | 1 | | | | | |
| 21 | 16065132340 | NUT | 1 | | | | | |
| 22 | 91002801001 | O-RING | 1 | | 1B P10A | | | |
| 23 | 91001101100 | O-RING | 1 | | 1A P11 | | | |
| 24 | 91002801400 | O-RING | 1 | | 1B P14 | | | |
| 25 | 91002802200 | O-RING | 1 | | 1B P22 | | | |
| 100 | 36610420000 | VALVE, FLOW CONTROL | 1 | | | | | |

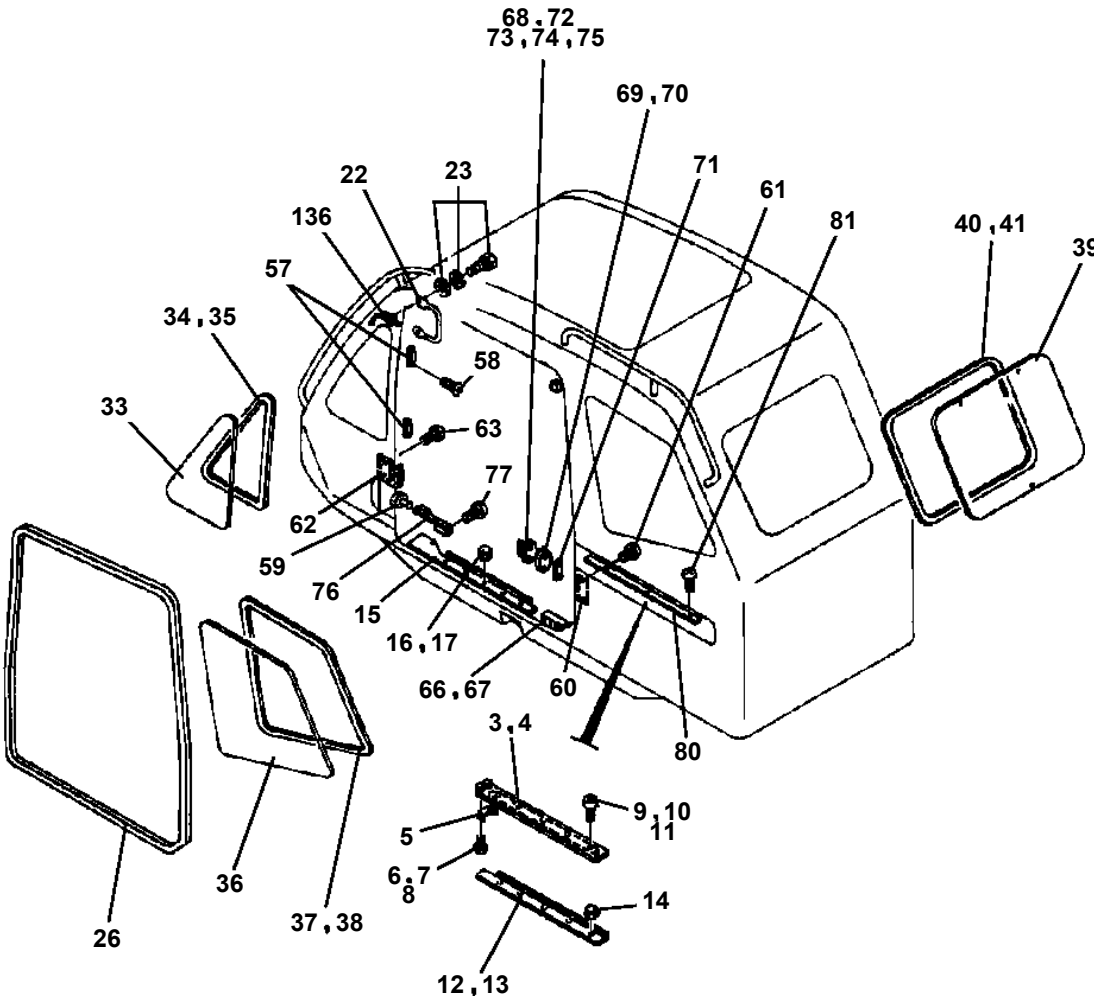
GR-700E-1-00101 5 BOOM + 2 JIB, 2M2D

| Pos No. | Parts No | Parts Name | Qty | Unit | Technical Data | Serial No (Start) | Serial No (End) | R |
|---------|-------------|---------------------------|-----|------|----------------|-------------------|-----------------|---|
| 2 | 91002804400 | O-RING | 3 | | 1B P44 | | | |
| 3 | 91411004400 | RING,BACKUP | 3 | | P44 | | | |
| 4 | 91002802500 | O-RING | 1 | | 1B P25 | | | |
| 5 | 91410002500 | RING,BACKUP | 1 | | P25 | | | |
| 12 | 91002801500 | O-RING | 1 | | 1B P15 | | | |
| 15 | 36605175100 | SPRING | 1 | | | | | |
| 19 | 91002803800 | O-RING | 1 | | 1B P38 | | | |
| 50 | 36605480000 | CARTRIDGE, COUNTERBALANCE | 1 | | | | | |

GR-700E-1-00101 5 BOOM + 2 JIB, 2M2D

| Pos No. | Parts No | Parts Name | Qty | Unit | Technical Data | Serial No (Start) | Serial No (End) |
|---------|-------------|-------------------------------|-----|------|----------------|-------------------|-----------------|
| 3 | 36671279510 | ELEMENT | 1 | | | | |
| 4 | 36671275020 | SPRING | 1 | | | | |
| 5 | 36671275030 | PLUG (DRAIN) | 1 | | | | |
| 6 | 36671275040 | VALVE,RELIEF | 1 | | | | |
| 7 | 36671275050 | PLUG | 1 | | | | |
| 8 | 91001209000 | O-RING | 1 | | 1A G90 | | |
| 10 | 91001101400 | O-RING | 1 | | 1A P14 | | |
| 11 | 91002801800 | O-RING | 1 | | 1B P18 | | |
| 12 | 91001101400 | O-RING | 1 | | 1A P14 | | |
| 20 | 36671270000 | FILTER,OIL (TORQUE CONVERTER) | 1 | | | | |

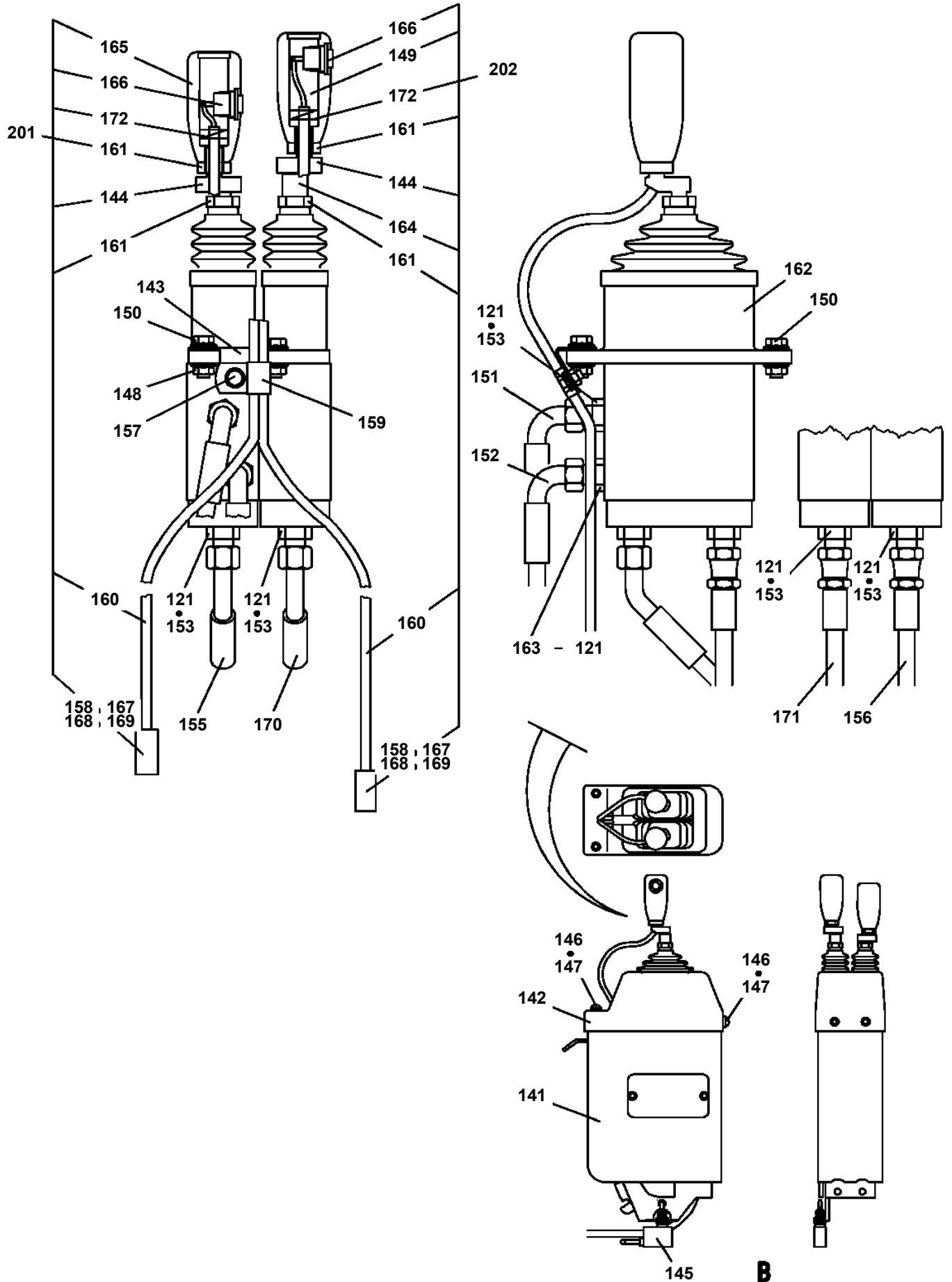
GR-700E-1-00101 5 BOOM + 2 JIB, 2M2D
PK1140170-07 CAB, OPERATOR



GR-700E-1-00101 5 BOOM + 2 JIB, 2M2D

| Pos No. | Parts No | Parts Name | Qty | Unit | Technical Data | Serial No (Start) | Serial No (End) | Remarks | Pages |
|---------|-------------|---------------|-----|------|----------------|-------------------|-----------------|---------|-------|
| 1 | 34250360200 | BELT | 1 | | | | 547784 | | |
| | 34251650300 | BELT | 1 | | | 547785 | | | |
| 2 | 90101510025 | BOLT | 2 | | M10X25 | | 549827 | | |
| | 90171110025 | BOLT | 2 | | M10X25 | 549828 | | | |
| 3 | 90302041001 | WASHER,SPRING | 2 | | 10 | | | | |
| 4 | 90303071001 | WASHER,PLAIN | 2 | | 10 | | | | |
| 5 | 90201401000 | NUT | 2 | | M10 | | | | |

**GR-700E-1-00101 5 BOOM + 2 JIB, 2M2D
 PL1010939-09 OPE.ASSY,CONT.VALVE (ISO)**



B

CLICK HERE TO **DOWNLOAD** THE COMPLETE MANUAL

- Thank you very much for reading the preview of the manual.
- You can download the complete manual from: www.heydownloads.com by clicking the link below



- Please note: If there is no response to CLICKING the link, please download this PDF first and then click on it.

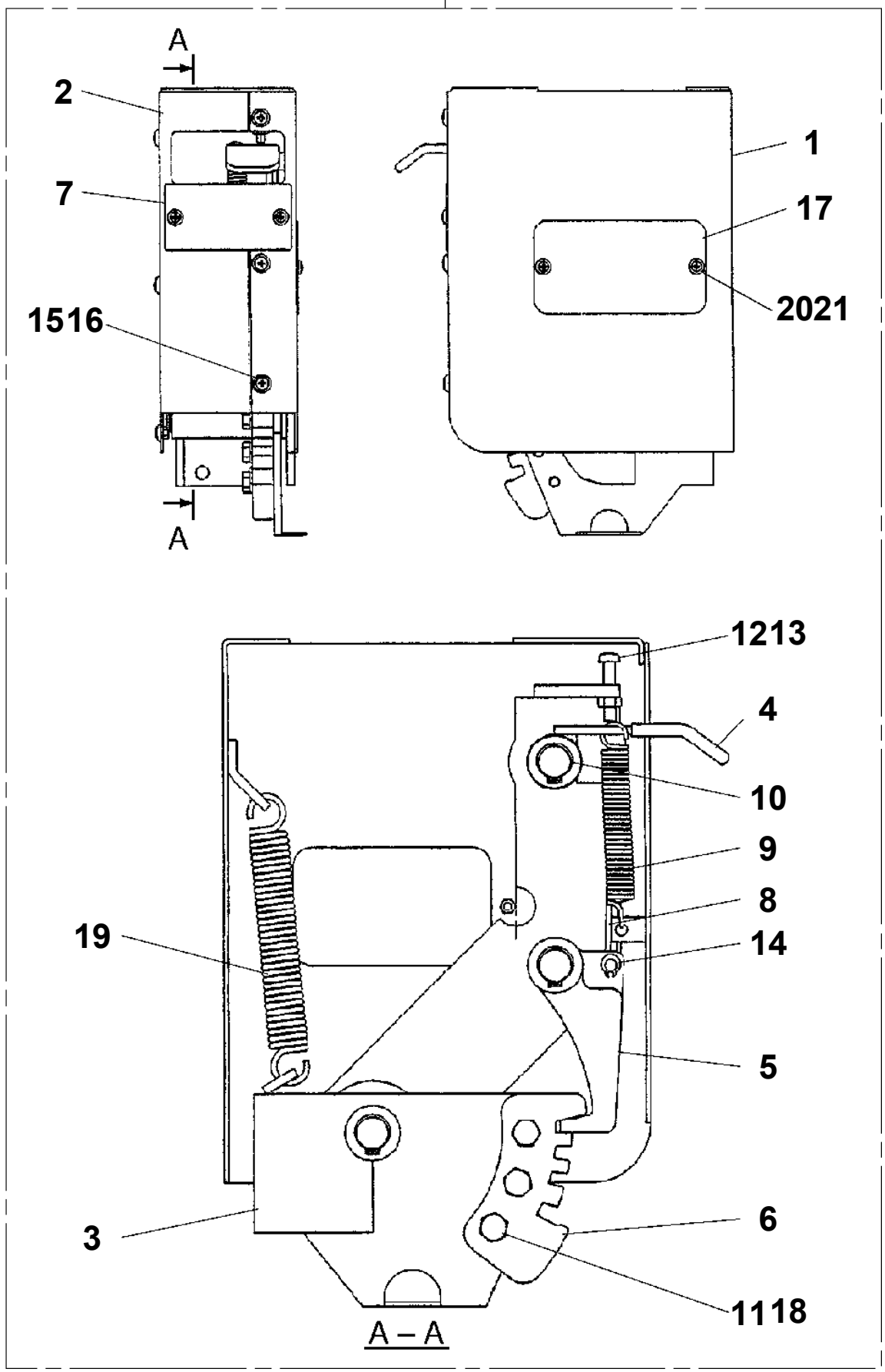
CLICK HERE TO **DOWNLOAD** THE COMPLETE MANUAL

GR-700E-1-00101 5 BOOM + 2 JIB, 2M2D

| Pos No. | Parts No | Parts Name | Qty | Unit | Technical Data | Serial No (Start) | Serial |
|---------|-------------|---|-----|------|----------------|-------------------|--------|
| 1 | 99171108020 | BOLT,TAPPING | 10 | | M8X20 | | 546166 |
| | 99171108020 | BOLT,TAPPING | 8 | | M8X20 | 546166 | |
| 2 | 34320902700 | CLAMP | 7 | | | | |
| 3 | 80400160127 | JOINT | 6 | | | | |
| 4 | 91002801100 | O-RING | 9 | | 1B P11 | | |
| 5 | 80441010906 | FITTING | 1 | | | | |
| 6 | 37002448610 | HOSE | 1 | | L=1250 | | |
| 7 | 89640102000 | HOSE | 1 | | 880-NFK,2M | | |
| 8 | 34322233000 | ROD ASSY | 1 | | | | |
| 9 | 34322233500 | ROD ASSY | 1 | | | | |
| 10 | 80441030904 | FITTING,ELBOW (WITH O-RING) | 1 | | L,G1/4-12.7 | | |
| 11 | 80430620400 | JOINT | 4 | | | | 545921 |
| | 80430620400 | JOINT | 3 | | | 545921 | |
| 12 | 34321976000 | PEDAL ASSY | 2 | | | 545564 | 545564 |
| | 34321966000 | PEDAL ASSY | 2 | | | 545564 | |
| 13 | 90180208020 | BOLT,BUTTON | 4 | | M8X20 | | |
| 14 | 80186406016 | SCREW,MACHINE | 7 | | M6X16 | | |
| 15 | 90305260601 | WASHER | 7 | | B1-6 | | |
| 16 | 34322383000 | SUPPORT | 2 | | | | |
| 17 | 90186208020 | BOLT,FLANGE | 24 | | M8X20 | | 545564 |
| | 90186208020 | BOLT,FLANGE | 20 | | M8X20 | 545564 | |
| 18 | 34322235000 | COVER | 1 | | | | |
| 20 | 90101208055 | BOLT | 2 | | M8X55 | | |
| 21 | 90302040801 | WASHER,SPRING | 6 | | 8 | | |
| 22 | 34320903000 | JOINT | 1 | | | | |
| 23 | 99172108020 | BOLT,TAPPING | 8 | | M8X20 | | |
| 24 | 34322235500 | LEVER ASSY | 1 | | | | |
| 25 | 34322236000 | SUPPORT | 1 | | | | 545564 |
| | 34322236001 | SUPPORT | 1 | | | 545564 | |
| 26 | 36638060000 | VALVE,CONTROL | 1 | | | | |
| 27 | 91810130250 | FASTENER | 1 | | | | 546166 |
| | 91810130250 | FASTENER | 2 | | | 546166 | |
| 29 | 34322234500 | COVER | 1 | | | | |
| 32 | 37000105730 | PIN | 4 | | | | |
| 33 | 80136320016 | PIN,SPLIT | 4 | | 2X16 | | |
| 34 | 90303070801 | WASHER,PLAIN | 12 | | 8 | | |
| 35 | 37000582110 | PLATE | 4 | | | | |
| 36 | 34321025100 | CLAMP | 2 | | | | 546166 |
| | 34321025100 | CLAMP | 3 | | | 546166 | |
| 37 | 82135901901 | BAND,MARK (1) | 6 | | | | |
| 38 | 82135901902 | BAND,MARK (2) | 6 | | | | |
| 39 | 82135901903 | BAND,MARK (3) | 2 | | | | |
| 40 | 82135901904 | BAND,MARK (4) | 2 | | | | |
| 41 | 82135901954 | BAND,MARK (D) | 4 | | | | |
| 42 | 82135901966 | BAND,MARK (P) | 6 | | | | |
| 43 | 82135901969 | BAND,MARK (S) | 4 | | | | |
| 44 | 82135901970 | BAND,MARK (T) | 4 | | | | |
| 45 | 82135901973 | BAND,MARK (W) | 8 | | | | |
| 46 | 34320902600 | GROMMET | 2 | | | | |
| 47 | 36672530000 | FILTER (WITH O-RING) | 2 | | | | 545921 |
| | 36672530000 | FILTER (WITH O-RING) | 3 | | | 545921 | |
| 48 | 37000919390 | JOINT (ORIFICE) | 1 | | 1.0 | | |
| 49 | 42352500030 | CONNECTOR | 1 | | | 545651 | |
| 50 | 82100002039 | CLAMP | 1 | | | | |
| 51 | 90280200800 | NUT,FLANGE | 1 | | M8 | | 545564 |
| | 90280200800 | NUT,FLANGE | 5 | | M8 | 545564 | |
| 53 | 37000302040 | SPACER | 4 | | L=10 | | |
| 54 | 80481002030 | JOINT | 2 | | S,G1/4-G3/8 | | |
| 55 | 34322621100 | PLATE,NAME (DISPOSITION OF CONT. LEVER) | 1 | | | | |
| 56 | 34322621200 | PLATE,NAME (DISPOSITION OF CONT. LEVER) | 1 | | | | |
| 57 | 90186208025 | BOLT,FLANGE | 4 | | M8X25 | 545564 | 546166 |
| | 90186208025 | BOLT,FLANGE | 6 | | M8X25 | 546166 | |
| 71 | 91002801400 | O-RING | 1 | | 1B P14 | | |

GR-700E-1-00101 5 BOOM + 2 JIB, 2M2D
PL1100232-00 BOX, OPERATION (TILT DEVICE)

100



GR-700E-1-00101 5 BOOM + 2 JIB, 2M2D

| Pos No. | Parts No | Parts Name | Qty | Unit | Technical Data | Serial No (Start) | Serial No (End) | Remarks | Pages |
|---------|-------------|---------------|-----|------|----------------|-------------------|-----------------|---------|-------|
| 1 | 82456101000 | NIPPLE,GREASE | 2 | | A-PT1/8 | | | | |
| 2 | 82458102000 | NIPPLE,GREASE | 4 | | B-PT1/8 | | | | |

GR-700E-1-00101 5 BOOM + 2 JIB, 2M2D

| Pos No. | Parts No | Parts Name | Qty | Unit | Technical Data | Serial No (Start) | Serial No (End) | Remarks | Pages |
|---------|-------------|-------------|-----|------|----------------|-------------------|-----------------|---------|-------|
| 1 | 34352782100 | BUZZER | 1 | | | | | | |
| 2 | 90186208010 | BOLT,FLANGE | 1 | | M8X10 | | | | |

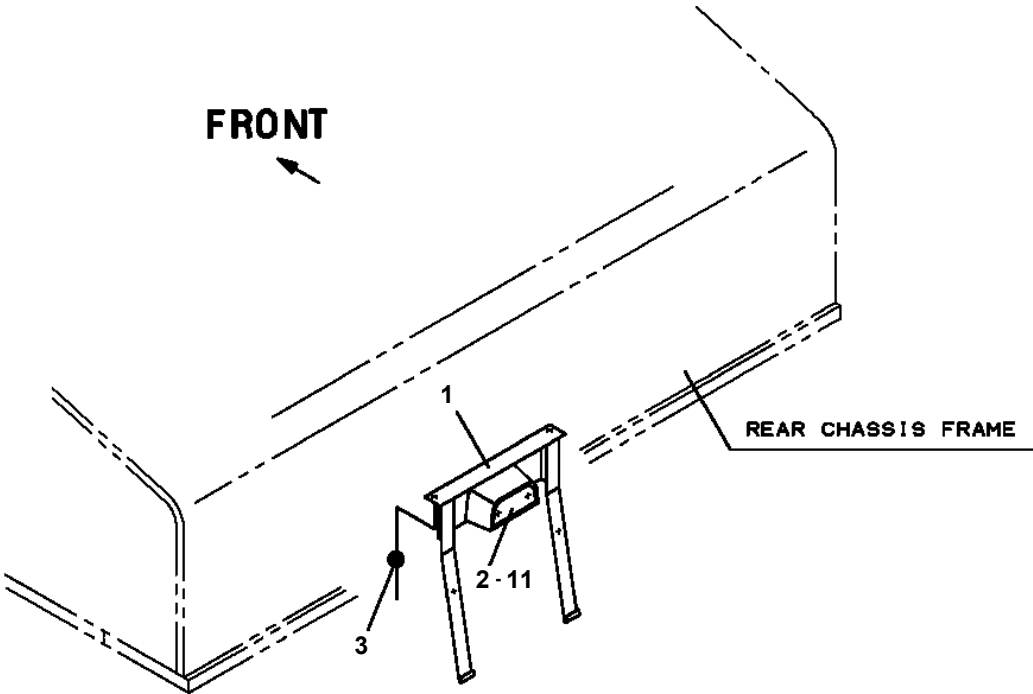
GR-700E-1-00101 5 BOOM + 2 JIB, 2M2D

| Pos No. | Parts No | Parts Name | Qty | Unit | Technical Data | Serial No (Start) | Serial No |
|---------|-------------|-------------------------------------|-----|------|----------------|-------------------|-----------|
| 1 | 34353021011 | HARNESS | 1 | | | | |
| 2 | (*****) | SWITCH PANEL | 1 | | | | |
| 3 | (*****) | SWITCH PANEL (CAB/OUTRIGGER SWITCH) | 1 | | | | |
| 4 | (*****) | SWITCH PANEL | 1 | | | | |
| 8 | 34353021500 | RELAY ASSY | 1 | | | | |
| 10 | 82100001883 | RELAY (INTERMIT WIPER) | 2 | | | | 545799 |
| 11 | 82100002311 | RELAY (FLASHER UNIT) | 1 | | | | |
| 12 | 82183901010 | CONDENSER | 4 | | | | |
| 16 | 34351490300 | BUZZER ASSY (WITH HARNESS) | 1 | | | | |
| 17 | 34352181600 | BUZZER ASSY | 1 | | | | |
| 18 | 80175304010 | SCREW,MACHINE | 2 | | M4X10 | | |
| 19 | 80192484010 | SCREW,MACHINE | 4 | | M4X10 | | |
| 22 | 90280200600 | NUT,FLANGE | 10 | | M6 | | |
| 23 | 99172106016 | BOLT,TAPPING | 20 | | M6X16 | | 545799 |
| | 99172106016 | BOLT,TAPPING | 16 | | M6X16 | 545800 | |
| 24 | 42433932200 | SWITCH ASSY (WITH HARNESS,1 SW) | 1 | | | | |
| 25 | 82100002019 | CLAMP | 1 | | WR40 | | |
| 26 | 82100002017 | CLAMP | 5 | | WR30 | | |
| 27 | 82100002016 | CLAMP | 8 | | WR25 | | |
| 28 | 82100002014 | CLAMP | 1 | | WR20 | | |
| 30 | 82100002006 | CLAMP | 1 | | WR10 | | |
| 32 | 34350850530 | BUZZER ASSY (WITH HARNESS) | 1 | | | | |
| 33 | 34351501100 | CONVERTER (DC-DC) | 1 | | | | |
| 34 | 80172304020 | SCREW,MACHINE | 6 | | M4X20 | | |
| 35 | 90302040401 | WASHER,SPRING | 6 | | 4 | | |
| 36 | 90303100401 | WASHER,PLAIN | 6 | | 4 | | |
| 37 | 91810130240 | FASTENER | 1 | | | 545885 | |

**GR-700E-1-00101 5 BOOM + 2 JIB, 2M2D
PN1060124-06 SWITCH PANEL**

| | |
|--------|--|
| 1 (a) | OVERWINDING CUTOUT DISABLE |
| 1 (b) | |
| 2 | PTO |
| 3 (a) | SWING FREE/LOCK |
| 3 (b) | SWING BRAKE |
| 5 | CIGARET LIGHTER |
| 6 | PARKING BRAKE |
| 7 | DRIVE SELECT |
| 8 (a) | SWING STOP |
| ↓ | ↓ |
| 16 (d) | CAP (SWING STOP) |
| 8 (b) | ELEVATING SLOW STOP |
| ↓ | ↓ |
| 16 (e) | CAP (ELEVATING SLOW STOP) |
| 12 | CAP (EMERGENCY STOP) |
| 13 | STEERING MODE |
| 14 | HAZARD |
| 15 | POWER WINDOW |
| 16 (a) | |
| ↓ | |
| 24 | CAP (TELESCOPING/AUX. WINCH) |
| 16 (b) | CAP (TELESCOPING METHOD SELECTION) |
| 16 (c) | CAP (REVERSE STEERING SELECTOR) |
| 20 (a) | CAP (TELESCOPING OPERATION) |
| 20 (b) | CAP (AUX. WINCH OPERATION) |
| 20 (c) | CAP (SPECIAL TELESCOPING METHOD INDICATOR LAMP) |
| 20 (d) | CAP (ORDINARY TELESCOPING METHOD INDICATOR LAMP) |
| 21 | WINCH POSITION SELECT |
| 22 | LAMP (WINCH POSITION SELECT) |

GR-700E-1-00101 5 BOOM + 2 JIB, 2M2D
PN1080255-01 LAMP (LICENSE)



GR-700E-1-00101 5 BOOM + 2 JIB, 2M2D

| Pos No. | Parts No | Parts Name | Qty | Unit | Technical Data | Serial No (Start) | Serial No (End) | F |
|---------|-------------|-----------------------------|-----|------|----------------|-------------------|-----------------|---|
| 1 | 34930682310 | PLATE | 1 | | | | | |
| 2 | 82100002596 | RELAY | 3 | | | | | |
| 3 | 82100002597 | RELAY | 2 | | | | | |
| 4 | 80182306012 | SCREW,MACHINE | 5 | | M6X12 | | | |
| 5 | 90302040601 | WASHER,SPRING | 5 | | 6 | | | |
| 6 | 90303070601 | WASHER,PLAIN | 5 | | 6 | | | |
| 7 | 34351571350 | RELAY ASSY (WITH CONNECTOR) | 2 | | | | | |
| 8 | 80172303008 | SCREW,MACHINE | 4 | | M3X8 | | | |
| 9 | 90302040301 | WASHER,SPRING | 4 | | 3 | | | |
| 10 | 90303070301 | WASHER,PLAIN | 4 | | 3 | | | |
| 100 | 34930762300 | RELAY ASSY | 1 | | | | | |

GR-700E-1-00101 5 BOOM + 2 JIB, 2M2D

| Pos No. | Parts No | Parts Name | Qty | Unit | Technical Data | Serial No (Start) | Serial No (End) | Remarks | Pages |
|---------|-------------|------------|-----|------|----------------|-------------------|-----------------|---------|-------|
| 1 | 82108901190 | SWITCH | 1 | | | | 546165 | | |
| | 82108501100 | SWITCH | 1 | | FL7M-5A6N-901 | 546166 | | | |

GR-700E-1-00101 5 BOOM + 2 JIB, 2M2D

| Pos No. | Parts No | Parts Name | Qty | Unit | Technical Data | Serial No (Start) | Serial No (End) |
|---------|-------------|---------------------------------|-----|------|----------------|-------------------|-----------------|
| 1 | 90102210060 | BOLT | 2 | | M10X60 | | |
| 2 | 34800151600 | SUPPORT | 1 | | | | |
| 3 | 34800311100 | SUPPORT | 1 | | | | |
| 4 | 90280201000 | NUT,FLANGE | 10 | | M10 | | |
| 21 | 34930096000 | BATTERY (YUASA,170F51) | 2 | | | | |
| | 82100002827 | BATTERY (GLOBAL & YUASA,130F51) | 2 | | | | |
| | 82100000712 | BATTERY (YUASA,115F51) | 2 | | | | 546314 |
| | 82151213051 | BATTERY (PANASONIC,130F51) | 2 | | | | |
| | 82100001983 | BATTERY (YUASA,145F51) | 2 | | | | |

GR-700E-1-00101 5 BOOM + 2 JIB, 2M2D

| Pos No. | Parts No | Parts Name | Qty | Unit | Technical Data | Serial No (Start) | Serial No (End) |
|---------|-------------|---------------------------------|-----|------|----------------|-------------------|-----------------|
| 1 | 82100002827 | BATTERY (GLOBAL & YUASA,130F51) | 1 | | | | |

GR-700E-1-00101 5 BOOM + 2 JIB, 2M2D

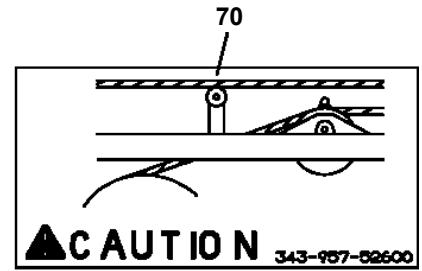
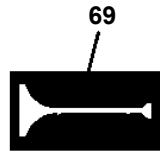
| Pos No. | Parts No | Parts Name | Qty | Unit | Technical Data | Serial No (Start) | Serial No (E |
|---------|-------------|----------------------------------|-----|------|----------------|-------------------|--------------|
| 1 | 33396151180 | PLATE,CAUTION (KEEO HANDS AWAY.) | 2 | | | | |
| 2 | 33396151440 | PLATE,CAUTION (KEEP HANDS AWAY.) | 1 | | | | |

GR-700E-1-00101 5 BOOM + 2 JIB, 2M2D

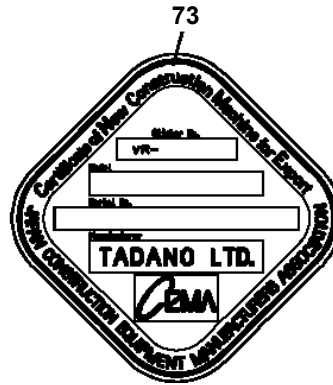
| Pos No. | Parts No | Parts Name | Qty | Unit | Technical Data | Serial No (Start) | Serial |
|---------|-------------|--------------------------------------|-----|------|----------------|-------------------|--------|
| 1 | 37002211890 | PLATE,CAUTION (BRAKE FLUID) | 1 | | | | |
| 2 | 37002216870 | PLATE,CAUTION (DO NOT CLIMB UP OR) | 3 | | | | |
| 3 | 34395365010 | PLATE,CAUTION (AIR PRESSURE) | 2 | | | | |
| 4 | 37002216840 | PLATE,CAUTION (ELECTROCUTION HAZARD) | 2 | | | | |
| 5 | 34396052010 | PLATE,CAUTION (FUSE) | 1 | | | | |
| 6 | 34395365030 | PLATE,NAME (T/M MULTIPLEX DATA) | 1 | | | | 545527 |
| | 34395755030 | PLATE,NAME (CONNECTOR) | 1 | | | 545527 | |
| 7 | 34391202060 | PLATE,CAUTION (NO STEP) | 3 | | | | 545527 |
| | 34391202060 | PLATE,CAUTION (NO STEP) | 2 | | | 545527 | |
| 8 | 37002211900 | PLATE,CAUTION (AIR CLEANER) | 1 | | | | |
| 9 | 34392531250 | PLATE,CAUTION (NO STEP) | 1 | | | | 545527 |
| 10 | 37002216890 | PLATE,CAUTION (KEEP CLEAR OF) | 4 | | | | |
| 11 | 37002216900 | PLATE,CAUTION (DO NOT STAND UNDER) | 1 | | | | |
| 12 | 37002216830 | PLATE,CAUTION (DO NOT CLIMB BOOM) | 4 | | | | |
| 13 | 37002201770 | PLATE,NAME (GREASE) | 39 | | | | |
| 14 | 37002222030 | PLATE,NAME (OUTRIGG.LOCK PIN) | 4 | | | | |
| 15 | 34392735010 | PLATE,CAUTION (DO NOT TOUCH) | 1 | | | | |

GR-700E-1-00101 5 BOOM + 2 JIB, 2M2D
PO1014177-03 PLATE ASSY,NAME (UPPER/EXPORT)

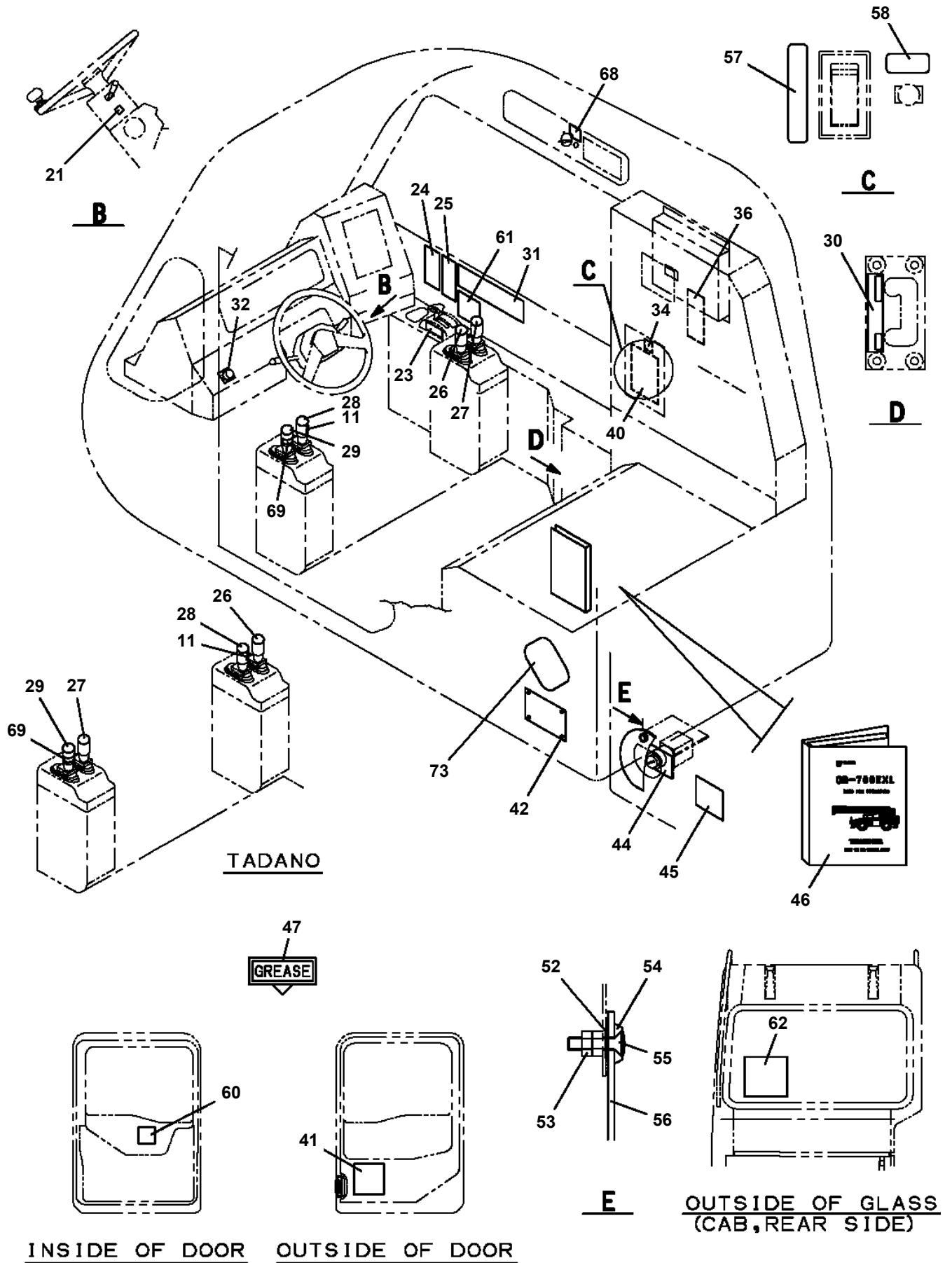
68
Select correct Jib status,
or Load Moment Indicator
does not function precisely
and may cause critical condition.
WARNING
343-957-52400



72
WARNING
MAKE SURE THE SINGLE
TOP IS STOWED BEFORE
MOUNTING THE JIB, OR THE
JIB COULD BE DAMAGED.
343-957-52400



GR-700E-1-00101 5 BOOM + 2 JIB, 2M2D
PO1014356-02 PLATE ASSY,NAME (UPPER/ENG. & RUSSIAN)



GR-700E-1-00101 5 BOOM + 2 JIB, 2M2D

| Pos No. | Parts No | Parts Name | Qty | Unit | Technical Data | Serial No (Start) | Serial No (End) | Remarks |
|---------|-------------|---------------------|-----|------|----------------|-------------------|-----------------|---------|
| 1 | 34396331020 | PLATE,NAME (5600KG) | 1 | | | | | |
| 2 | 37002202510 | PLATE,NAME (GREASE) | 1 | | | | | |

GR-700E-1-00101 5 BOOM + 2 JIB, 2M2D

| Pos No. | Parts No | Parts Name | Qty | Unit | Technical Data | Serial No (Start) | Serial No (End) | Remarks | Pages |
|---------|-------------|------------|-----|------|----------------|-------------------|-----------------|---------|-------|
| 1 | 34394243100 | PLATE,NAME | 1 | | | | | | |

GR-700E-1-00101 5 BOOM + 2 JIB, 2M2D

| Pos No. | Parts No | Parts Name | Qty | Unit | Technical Data | Serial No (Start) | Se |
|---------|-------------|--|-----|------|----------------|-------------------|----|
| 1 | 34396101110 | CASE | 1 | | | | |
| 2 | 34396101120 | PLATE,NAME (GR-700EXL SPECIFICATIONS) | 1 | | | | |
| 3 | 34396101130 | PLATE,NAME(GR-700EXL RATED LIFTING CAPA) | 1 | | | | |
| 4 | 34396101140 | PLATE,NAME(GR-700EXL RATED LIFTING CAPA) | 1 | | | | |
| 5 | 34396101150 | PLATE,NAME(GR-700EXL RATED LIFTING CAPA) | 1 | | | | |
| 6 | 34396101160 | PLATE,NAME(GR-700EXL RATED LIFTING CAPA) | 1 | | | | |
| 7 | 34396101170 | PLATE,NAME (WEITE REDUCTIONS FOR AUX.) | 1 | | | | |
| 8 | 34396101180 | PLATE,CAUTION (WARNING AND OPERATING) | 1 | | | | |
| 9 | 34396101190 | PLATE,CAUTION (JIB HANDLING INSTRUCTI 1) | 1 | | | | |
| 10 | 34396101200 | PLATE,NAME (INSTRUMENT PANEL) | 1 | | | | |
| 11 | 34396101210 | PLATE,NAME(DISPOSITION OF CONTROL LEVER) | 1 | | | | |
| 12 | 34395411200 | PLATE,NAME (SAFETY PARTS REQUI) | 1 | | | | |
| 50 | 34396101100 | LOAD CHART BOOKLET | 1 | | | | |

GR-700E-1-00101 5 BOOM + 2 JIB, 2M2D

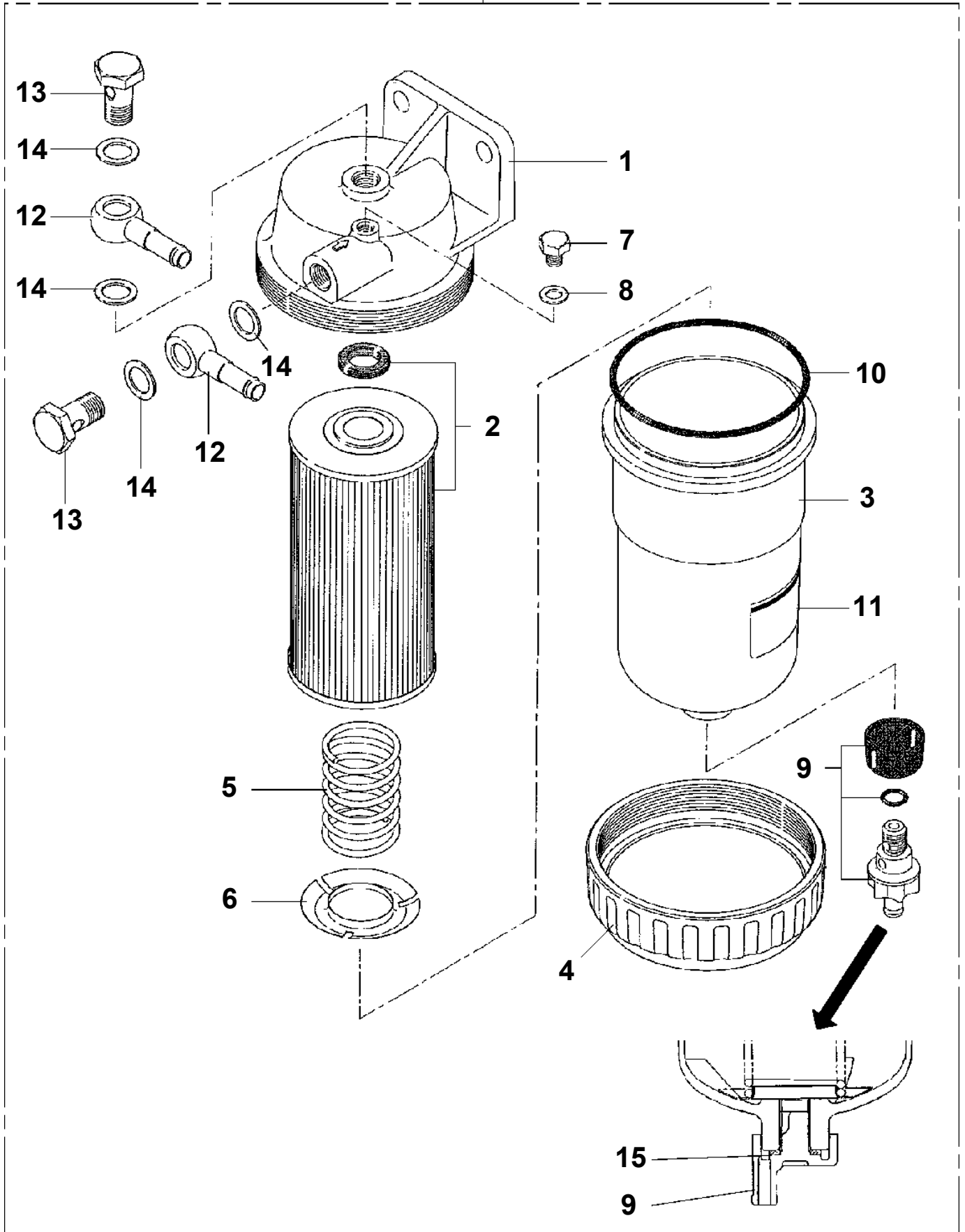
| Pos No. | Parts No | Parts Name | Qty | Unit | Technical Data | Serial No (Start) | Serial No (End) | Remarks | P |
|---------|-------------|---------------------|-----|------|----------------|-------------------|-----------------|---------|---|
| 1 | 37004100030 | PUMP,GREASE (240CC) | 1 | | | | | | |

GR-700E-1-00101 5 BOOM + 2 JIB, 2M2D

| Pos No. | Parts No | Parts Name | Qty | Unit | Technical Data | Serial No (Start) | Serial |
|---------|-------------|--|-----|------|----------------|-------------------|--------|
| 2 | 36360953020 | HOSE | 1 | | | | |
| 3 | 36360953030 | HOSE | 1 | | | | |
| 4 | 36360803040 | HOSE | 1 | | | | |
| 5 | 36360803050 | CLIP (INTERCOOLER HOSE/D=MIN87,MAX116) | 3 | | | | |
| 6 | 36360803060 | CLIP (INTERCOOLER HOSE/D=MIN77,MAX99) | 1 | | | | |
| 7 | 36360803070 | CLIP (RADIATER HOSE/D=60) | 1 | | | | |
| 8 | 36360803080 | CLIP (RADIATER HOSE/D=80) | 1 | | | | |
| 9 | 36360803090 | GUIDE (FAN SHROUD) | 1 | | | | |
| 10 | 36360591050 | CLAMP (FAN SHROUD SEAL) | 1 | | | | |
| 12 | 36360591030 | GUIDE (FAN RING) | 1 | | | | |
| 13 | 36360953040 | SUPPORT (FAN RING) | 2 | | | | |
| 21 | 36360957510 | CAP | 1 | | | | |
| 22 | 36330095110 | COCK,DRAIN | 1 | | | | |
| 23 | 36360957550 | SHROUD (FAN) | 1 | | | | |
| 40 | 36360957520 | RADIATOR ASSY | 1 | | | | |
| 50 | 36360957530 | COOLER ASSY | 1 | | | | |

GR-700E-1-00101 5 BOOM + 2 JIB, 2M2D
PQ1110000-02 SEPARATOR, WATER (WITH PRE-FILTER)

30



GR-700E-1-00101 5 BOOM + 2 JIB, 2M2D

| Pos No. | Parts No | Parts Name | Qty | Unit | Technical Data | Serial No (Start) | Serial No (End) |
|---------|-------------|-----------------------------|-----|------|----------------|-------------------|-----------------|
| 1 | 34721361001 | SWITCH ASSY | 1 | | | | |
| 2 | 80192485014 | SCREW,MACHINE (WITH WASHER) | 4 | | M5X14 | | |

GR-700E-1-00101 5 BOOM + 2 JIB, 2M2D

| Pos No. | Parts No | Parts Name | Qty | Unit | Technical Data | Serial No (Start) | Serial No (End) |
|---------|-------------|---------------------|-----|------|----------------|-------------------|-----------------|
| 1 | 36350475080 | HOUSING (MISSION) | 1 | | | | |
| 2 | 36350475090 | COVER (HOUSING) | 1 | | | | |
| 3 | 36370055710 | BREATHER | 1 | | | | |
| 4 | 36370165460 | JOINT,ELBOW | 1 | | | | |
| 5 | 59233070110 | PLUG,MAGNET | 1 | | M20X1.5 | | |
| 6 | 59233070130 | PACKING (COPPER) | 1 | | | | |
| 7 | 36350465130 | GAUGE,OIL | 1 | | | | |
| 8 | 91001101800 | O-RING | 1 | | 1A P18 | | |
| 9 | 36350465140 | PICK-UP | 1 | | | | |
| 10 | 59433010150 | PIN (KNOCK) | 2 | | | | |
| 11 | 90101510095 | BOLT | 8 | | M10X95 | | |
| 12 | 90131510085 | BOLT,HEXAGON SOCKET | 2 | | M10X85 | | |
| 13 | 90101510030 | BOLT | 21 | | M10X30 | | |
| 14 | 36350475100 | PACKING | 1 | | | | |
| 15 | 36350475110 | CARRIER | 1 | | | | |
| 16 | 36350465160 | SEAL,OIL | 1 | | | | |
| 17 | 36350345380 | SEAL,OIL | 1 | | | | |
| 18 | 90101510035 | BOLT | 9 | | M10X35 | | |
| 19 | 36350475120 | SEAL,OIL | 1 | | | | |
| 20 | 36350475130 | SHROUD | 1 | | | | |
| 21 | 90101510020 | BOLT | 2 | | M10X20 | | |
| 22 | 59433010150 | PIN (KNOCK) | 2 | | | | |
| 23 | 36350465200 | SPRING | 1 | | | | |
| 24 | 36350465210 | SPRING | 1 | | | | |
| 25 | 36350465220 | FORK (SHIFTER) | 1 | | | | |
| 26 | 36350465230 | SHAFT (SHIFTER) | 1 | | | | |
| 27 | 36350465240 | O-RING | 1 | | | | |
| 28 | 36350465250 | PISTON | 1 | | | | |
| 29 | 91001103900 | O-RING | 1 | | 1A P39 | | |
| 30 | 36350245130 | NUT | 1 | | | | |
| 31 | 36350465260 | SLEEVE | 1 | | | | |
| 32 | 36350465270 | O-RING | 1 | | | | |
| 33 | 36350465280 | COVER | 1 | | | | |
| 34 | 90101510025 | BOLT | 2 | | M10X25 | | |
| 35 | 36350345380 | SEAL,OIL | 1 | | | | |
| 36 | 36350465160 | SEAL,OIL | 1 | | | | |
| 37 | 90101510030 | BOLT | 9 | | M10X30 | | |
| 38 | 90131510030 | BOLT,HEXAGON SOCKET | 1 | | M10X30 | | |
| 39 | 36350465290 | CASE (SHIFTER) | 1 | | | | |
| 40 | 36350465300 | PACKING | 1 | | | | |
| 41 | 59133560090 | PACKING (COPPER) | 1 | | | | |
| 42 | 36350465310 | SWITCH | 1 | | | | |
| 43 | 36350465320 | PACKING | 1 | | | | |
| 44 | 36350475140 | COVER (SUPPLY) | 1 | | | | |
| 45 | 59433010150 | PIN (KNOCK) | 2 | | | | |
| 46 | 90101510030 | BOLT | 19 | | M10X30 | | |
| 47 | 90101510025 | BOLT | 2 | | M10X25 | | |
| 48 | 36350027220 | BALL,STEEL | 1 | | | | |
| 49 | 36350465340 | SPRING | 1 | | | | |
| 50 | 36350465350 | PACKING (COPPER) | 1 | | | | |
| 51 | 36350465360 | PLUG | 1 | | | | |
| 52 | 36350465370 | O-RING | 1 | | | | |
| 53 | 91001101800 | O-RING | 1 | | 1A P18 | | |
| 54 | 36350465380 | ELEMENT,FILTER | 1 | | | | |
| 55 | 36350465390 | WASHER | 1 | | | | |
| 56 | 59233620060 | WASHER,PLAIN | 1 | | | | |
| 57 | 36350465400 | SPRING | 1 | | | | |
| 58 | 36350465410 | CASE (FILTER) | 1 | | | | |
| 59 | 59133510170 | WASHER,SEAL | 1 | | | | |
| 60 | 90171110080 | BOLT | 1 | | M10X80 | | |
| 61 | 59433010330 | BAND | 1 | | | | |
| 62 | 36350475150 | SPACER | 1 | | | | |
| 63 | 36350475160 | PACKING | 1 | | | | |

GR-700E-1-00101 5 BOOM + 2 JIB, 2M2D

| Pos No. | Parts No | Parts Name | Qty | Unit | Technical Data | Serial No (Start) | Serial No (End) | Remarks | Pages |
|---------|-------------|-----------------|-----|------|----------------|-------------------|-----------------|---------|-------|
| 1 | 36350465820 | SHAFT,DRIVING | 1 | | | | | | |
| 2 | 80500006214 | BEARING,BALL | 1 | | | | | | |
| 3 | 80602111250 | RING,RETAINING | 1 | | 125 | | | | |
| 4 | 36350205890 | WASHER | 1 | | | | | | |
| 5 | 36350465830 | RING,RETAINING | 1 | | | | | | |
| 6 | 36350465840 | SLEEVE,SLIDE | 1 | | | | | | |
| 7 | 36350465850 | BEARING,NEEDLE | 1 | | | | | | |
| 8 | 36350465860 | RING,SNAP | 1 | | | | | | |
| 9 | 80601110700 | RING,RITAINING | 1 | | S70 | | | | |
| 10 | 36350465870 | BEARING,ROLLER | 1 | | | | | | |
| 11 | 80602111250 | RING,RETAINING | 1 | | 125 | | | | |
| 12 | 36350475330 | SPACER | 1 | | | | | | |
| 13 | 36350465890 | RING,SNAP | 1 | | | | | | |
| 14 | 36350475340 | SPACER | 1 | | | | | | |
| 15 | 36350205950 | WASHER,THRUST | 4 | | | | | | |
| 16 | 36350026230 | BEARING,THRUST | 4 | | | | | | |
| 17 | 36350245400 | WASHER,THRUST | 4 | | | | | | |
| 18 | 36350026260 | BEARING,NEEDLE | 4 | | | | | | |
| 19 | 36350475350 | GEAR (L) | 1 | | | | | | |
| 20 | 36350475360 | SHAFT (OUTPUT) | 1 | | | | | | |
| 21 | 36350026210 | SLEEVE,SLIDE | 1 | | | | | | |
| 22 | 36350475370 | GEAR (M) | 1 | | | | | | |
| 23 | 36350475380 | GEAR,DRIVING | 1 | | | | | | |
| 24 | 36350475390 | WASHER | 1 | | | | | | |
| 25 | 36350475400 | BEARING,BALL | 1 | | | | | | |
| 26 | 36350475410 | RACE,SEAL | 1 | | | | | | |
| 27 | 59433510180 | RING,OIL SEAL | 2 | | | | | | |
| 28 | 36350475420 | FLANGE (OUTPUT) | 1 | | | | | | |
| 29 | 36350026500 | O-RING | 1 | | | | | | |
| 30 | 36350026410 | WASHER | 1 | | | | | | |
| 31 | 90302041201 | WASHER,SPRING | 2 | | 12 | | | | |
| 32 | 90101512030 | BOLT | 2 | | M12X30 | | | | |

GR-700E-1-00101 5 BOOM + 2 JIB, 2M2D

| Pos No. | Parts No | Parts Name | Qty | Unit | Technical Data | Serial No (Start) | Serial No (End) |
|---------|-------------|--------------------------------|-----|------|----------------|-------------------|-----------------|
| 2 | 36350466190 | PACKING | 1 | | | | |
| 3 | 90101510030 | BOLT | 1 | | M10X30 | | |
| 4 | 90101510075 | BOLT | 3 | | M10X75 | | |
| 5 | 90101510060 | BOLT | 2 | | M10X60 | | |
| 6 | 36350515670 | COVER | 1 | | | | |
| 7 | 36350466210 | PACKING | 1 | | | | |
| 8 | 90131510075 | BOLT,HEXAGON SOCKET | 4 | | M10X75 | | |
| 9 | 36350466220 | SPRING | 1 | | | | |
| 10 | 36350466120 | SPRING | 1 | | | | |
| 11 | 36350475450 | WASHER | 1 | | | | |
| 13 | 36350475460 | WASHER | 1 | | | | |
| 14 | 36350466230 | STOPPER | 1 | | | | |
| 15 | 36350466240 | SPRING | 1 | | | | |
| 16 | 36350466250 | SPRING | 1 | | | | |
| 17 | 36350466260 | SPRING | 1 | | | | |
| 19 | 36350466270 | COVER | 1 | | | | |
| 20 | 36350466280 | PACKING | 1 | | | | |
| 21 | 90101508025 | BOLT | 7 | | M8X25 | | |
| 100 | 36350475071 | VALVE,REGULATOR (TRANSMISSION) | 1 | | | | |

GR-700E-1-00101 5 BOOM + 2 JIB, 2M2D

| Pos No. | Parts No | Parts Name | Qty | Unit | Technical Data | Serial No (Start) | Serial No (End) | R |
|---------|-------------|------------------------------|-----|------|----------------|-------------------|-----------------|---|
| 1 | 36302115010 | SPIDER ASSY | 2 | | | | | |
| 2 | 36302295030 | YOKE ASSY | 1 | | | | | |
| 3 | 36302115030 | BOLT | 16 | | M12X53X1.25 | | | |
| 4 | 36302115040 | WASHER,SPRING | 16 | | | | | |
| 11 | 59236000010 | NIPPLE,GREASE (UNF1/4X35A) | 2 | | | | | |
| 30 | 36302295000 | SHAFT,PROPELLER (T/M-F/AXLE) | 1 | | | | | |

GR-700E-1-00101 5 BOOM + 2 JIB, 2M2D

| Pos No. | Parts No | Parts Name | Qty | Unit | Technical Data | Serial No (Start) | Serial I |
|---------|-------------|-----------------------------|-----|------|----------------|-------------------|----------|
| 216 | 36380675580 | O-RING | 8 | | | | |
| 217 | 36381125120 | PAD KIT | 2 | | | | |
| 218 | 36380065910 | BOLT | 16 | | | | |
| 219 | 36380685070 | PLATE (COVER) | 2 | | | | |
| 220 | 36381445220 | PLUG (PISTON) | 6 | | | | |
| 221 | 36380685080 | SEAL KIT | 2 | | | | |
| 222 | 36380675640 | PISTON | 12 | | | | |
| 223 | 36380675650 | CAP (BREATHER) | 2 | | | | |
| 231 | 36380675490 | O-RING | 2 | | | | |
| 241 | 90191520130 | BOLT | 4 | | M20X130 | | |
| 242 | 90303502001 | WASHER,PLAIN | 4 | | 20 | | |
| 251 | 36380105090 | BOLT (SHORT) | 8 | | | | |
| 252 | 36380105080 | BOLT (LONG) | 8 | | | | |
| 300 | 36381465010 | CARRIER,DIFFERENTIAL | 1 | | | | |
| 400 | 36381590000 | AXLE,DRIVING (REAR NO-SPIN) | 1 | | | | |

GR-700E-1-00101 5 BOOM + 2 JIB, 2M2D

| Pos No. | Parts No | Parts Name | Qty | Unit | Technical Data | Serial No (Start) | Serial No (End) |
|---------|-------------|-------------------------------|-----|------|------------------|-------------------|-----------------|
| 1 | 80430451650 | JOINT | 1 | | | | |
| 2 | 37002428870 | HOSE | 1 | | L=680 | | 545684 |
| | 37002484840 | HOSE | 1 | | L=680 | 545685 | |
| 3 | 36671270000 | FILTER,OIL (TORQUE CONVERTER) | 1 | | | | |
| 4 | 80400160135 | JOINT | 2 | | | | |
| 5 | 91067102900 | O-RING | 6 | | P29 | | |
| 6 | 80430621609 | JOINT | 3 | | L,G1-G1 | | |
| 7 | 80400160137 | JOINT | 1 | | | | |
| 8 | 91067103800 | O-RING | 3 | | P38 | | |
| 10 | 37002460930 | HOSE | 1 | | L=3100 TO 3250 | | |
| 11 | 80430622009 | JOINT | 1 | | L,G11/4-G11/4 | | |
| 12 | 80430451250 | JOINT | 2 | | | | 545490 |
| | 37000916500 | JOINT | 1 | | L,R1-G3/4 | 545491 | |
| 13 | 82100002019 | CLAMP | 2 | | WR40 | | |
| 14 | 90186210020 | BOLT,FLANGE | 2 | | M10X20 | | |
| 15 | 80316070040 | PLUG | 2 | | PF1/4 | | |
| 16 | 91067101100 | O-RING | 2 | | 4E P11 | | |
| 17 | 80430471650 | JOINT | 1 | | 45,R1-G1 | | |
| 18 | 37002424900 | HOSE | 2 | | L=2120 | | 545684 |
| | 37002484880 | HOSE | 2 | | L=2120 | 545685 | |
| 19 | 37000928250 | JOINT | 1 | | S,G3/4-G1 | | |
| 20 | 91810132530 | FASTENER | 4 | | | | |
| 21 | 91067102400 | O-RING | 1 | | P24 | | 545490 |
| | 91067102400 | O-RING | 2 | | P24 | 545491 | |
| 22 | 91067101400 | O-RING | 4 | | P14 | | |
| 23 | 80471020510 | JOINT | 1 | | 45,G1 1/4-G1 1/4 | | |
| 24 | 37002452290 | HOSE | 2 | | L=1650 | | 545503 |
| | 37002452290 | HOSE | 1 | | L=1650 | 545504 | |
| 25 | 37002442720 | HOSE | 1 | | L=2000 | | 545684 |
| | 37002484890 | HOSE | 1 | | L=680 | 545685 | |
| 26 | 37002413840 | HOSE | 1 | | L=1400 | | |
| 27 | 80400160129 | JOINT | 4 | | | | |
| 28 | 37002459600 | HOSE | 1 | | L=1600 | | |
| 29 | 90186208014 | BOLT,FLANGE | 1 | | M8X14 | | |
| 30 | 37000912850 | JOINT | 1 | | S,G1-G11/4 | | |
| 31 | 82100002041 | CLAMP | 1 | | | | |
| 32 | 82100002018 | CLAMP | 8 | | WR35 | | |
| 33 | 90280200800 | NUT,FLANGE | 9 | | M8 | | |
| 35 | 90186208025 | BOLT,FLANGE | 4 | | M8X25 | | |
| 36 | 37000600120 | CLAMP | 2 | | WR45 | | |
| 38 | 90303070801 | WASHER,PLAIN | 5 | | 8 | | |
| 39 | 37004000090 | SWITCH,THERMO | 1 | | | 545491 | |
| 40 | 33330010100 | GASKET | 1 | | | 545491 | |
| 41 | 37000929810 | JOINT | 1 | | R1-G3/4-M16 | 545491 | |
| 42 | 80400160133 | JOINT | 1 | | | 545491 | |
| 43 | 37002480470 | HOSE | 1 | | L=1650 | 545504 | |
| 61 | 34921340100 | SUPPORT | 1 | | | | |
| 62 | 37000505260 | PLATE | 1 | | | | |
| 63 | 37000557420 | PLATE | 1 | | | | |
| 64 | 37000567980 | PLATE | 1 | | | | |
| 65 | 90155208030 | BOLT,WELD | 3 | | M8X30 | | |
| 66 | 37000552320 | PLATE | 1 | | | | |
| 67 | 90101208065 | BOLT | 2 | | M8X65 | | |

GR-700E-1-00101 5 BOOM + 2 JIB, 2M2D

| Pos No. | Parts No | Parts Name | Qty | Unit | Technical Data | Serial No (Start) | Serial No (End) | Remarks | Pages |
|---------|-------------|------------|-----|------|----------------|-------------------|-----------------|---------|-------|
| 1 | 37003900020 | WHEEL,TIRE | 1 | | | | | | |

GR-700E-1-00101 5 BOOM + 2 JIB, 2M2D

| Pos No. | Parts No | Parts Name | Qty | Unit | Technical Data | Serial No (Start) | Serial I |
|---------|-------------|----------------------|-----|------|----------------|-------------------|----------|
| 217 | 36381125120 | PAD KIT | 2 | | | | |
| 218 | 36380065910 | BOLT | 16 | | | | |
| 219 | 36380685070 | PLATE (COVER) | 2 | | | | |
| 220 | 36381445220 | PLUG (PISTON) | 6 | | | | |
| 221 | 36380685080 | SEAL KIT | 2 | | | | |
| 222 | 36380675640 | PISTON | 12 | | | | |
| 223 | 36380675650 | CAP (BREATHER) | 2 | | | | |
| 231 | 36380675490 | O-RING | 2 | | | | |
| 241 | 90191520130 | BOLT | 4 | | M20X130 | | |
| 242 | 90303502001 | WASHER,PLAIN | 4 | | 20 | | |
| 251 | 36380105090 | BOLT (SHORT) | 8 | | | | |
| 252 | 36380105080 | BOLT (LONG) | 8 | | | | |
| 300 | 36381465010 | CARRIER,DIFFERENTIAL | 1 | | | | |
| 500 | 36381590001 | AXLE (REAR NO-SPIN) | 1 | | | | |

GR-700E-1-00101 5 BOOM + 2 JIB, 2M2D

| Pos No. | Parts No | Parts Name | Qty | Unit | Technical Data | Serial No (Start) | Serial |
|---------|-------------|---|-----|------|----------------|-------------------|--------|
| 1 | 37003900010 | WHEEL,TIRE | 1 | | | | |
| 2 | 37003804510 | TIRE (HUNG-A) | 1 | | | | |
| 4 | 37003804720 | VALVE | 1 | | | 545878 | |
| 21 | 34397020100 | PLATE,NAME (INSTALLED TIRES AT TIME OF) | 1 | | | 545878 | |

GR-700E-1-00101 5 BOOM + 2 JIB, 2M2D

| Pos No. | Parts No | Parts Name | Qty | Unit | Technical Data | Serial No (Start) | Serial |
|---------|-------------|---|-----|------|----------------|-------------------|--------|
| 1 | 37003901500 | WHEEL,TIRE | 1 | | | | |
| 2 | 37003803030 | TIRE (WITH VALVE) | 1 | | | | |
| 3 | 34397010100 | PLATE,NAME (INSTALLED TIRES AT TIME OF) | 1 | | | | |

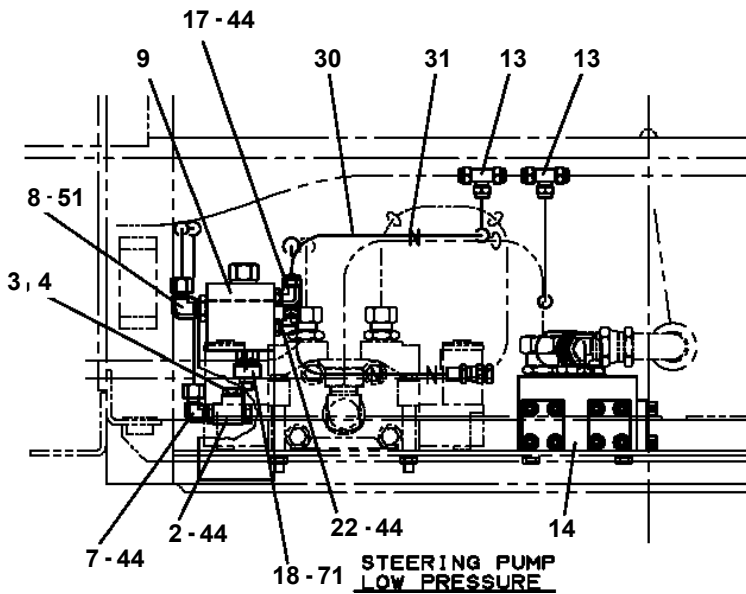
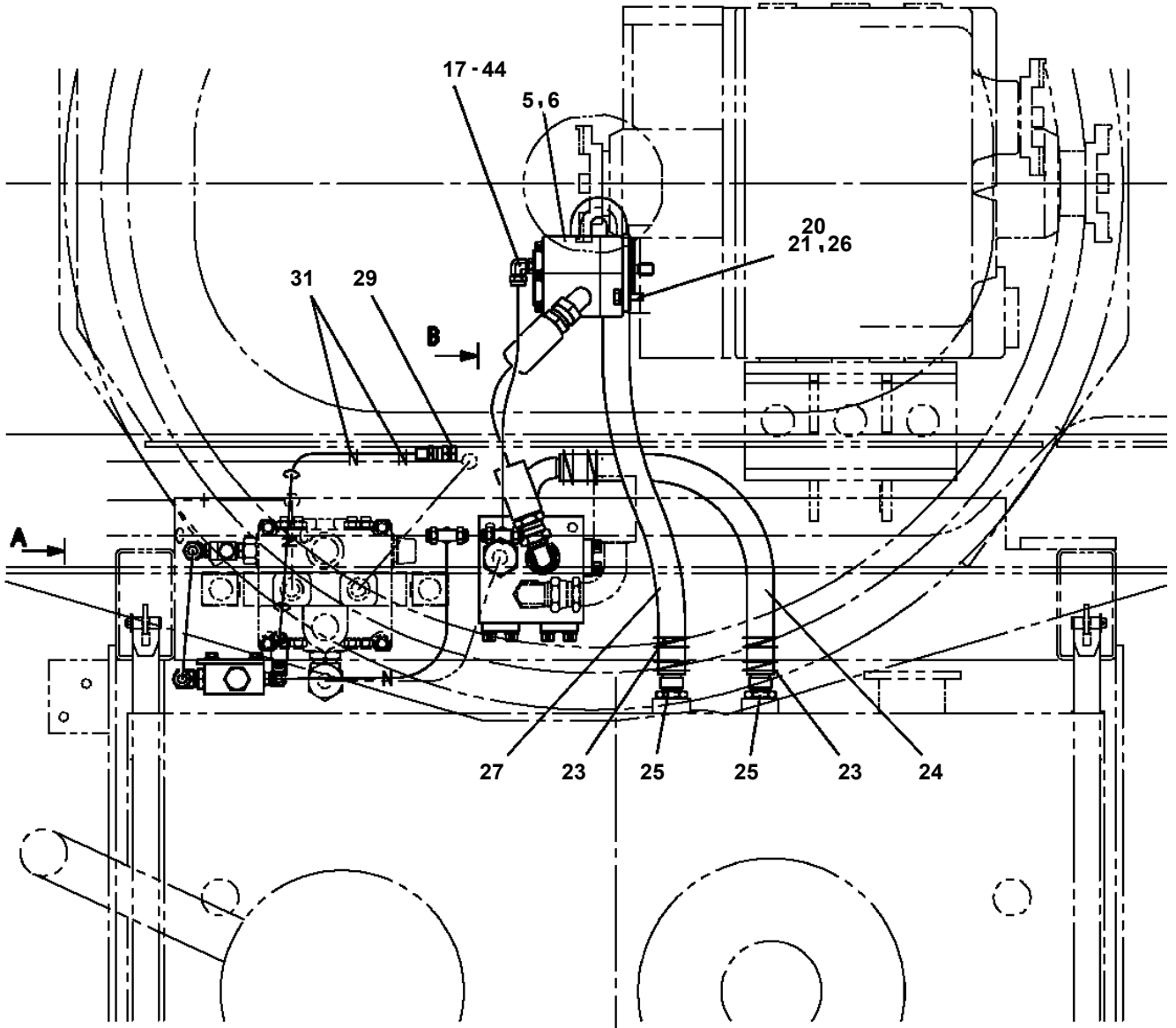
GR-700E-1-00101 5 BOOM + 2 JIB, 2M2D

| Pos No. | Parts No | Parts Name | Qty | Unit | Technical Data | Serial No (Start) | Serial No (End) | Remarks | Pages |
|---------|-------------|----------------|-----|------|----------------|-------------------|-----------------|---------|-------|
| 1 | 34310111601 | ROLLER | 1 | | | | | | |
| 2 | 37000303200 | SPACER | 4 | | L=12.5 | | | | |
| 3 | 80602110520 | RING,RITAINING | 2 | | R52 | | | | |
| 4 | 80516006205 | BEARING,BALL | 2 | | | | | | |
| 5 | 34310111101 | ROLLER | 1 | | | | | | |
| 6 | 33310000232 | ROLLER | 1 | | | | | | |
| 8 | 90203201000 | NUT | 2 | | M10 | | | | |
| 9 | 90102510050 | BOLT | 2 | | M10X50 | | | | |
| 10 | 34310111201 | LEVER | 1 | | | | | | |
| 11 | 37000119960 | PIN | 2 | | | | | | |
| 12 | 90101210012 | BOLT | 2 | | M10X12 | | | | |
| 13 | 90302041001 | WASHER,SPRING | 2 | | 10 | | | | |
| 14 | 16314011000 | SPRING | 2 | | | | | | |
| 15 | 34310111301 | SUPPORT | 1 | | | | | | |
| 16 | 34310111401 | LEVER | 1 | | | | | | |
| 17 | 34310111501 | SUPPORT | 1 | | | | | | |
| 31 | 34310119511 | ROLLER ASSY | 1 | | | | | | |
| 100 | 34310111000 | ROLLER ASSY | 1 | | | | | | |

GR-700E-1-00101 5 BOOM + 2 JIB, 2M2D

| Pos No. | Parts No | Parts Name | Qty | Unit | Technical Data | Serial No (Start) | Serial No (End) | Remarks |
|---------|------------------|---------------------|-----|------|----------------|-------------------|-----------------|---------|
| 1 | 99135538025 | BOLT,HEXAGON SOCKET | 4 | | 3/8-16UNCX25 | | | |
| 2 | 90302040042 | WASHER,SPRING | 4 | | W3/8 | | | |
| 3 | 34720221300 | ADAPTER | 1 | | | | | |
| 4 | 36635270001 | ORBITROL | 1 | | | | | |
| 5 | 34721221100 | SUPPORT | 1 | | | | | |
| 6 | 99172108016 | BOLT,TAPPING | 3 | | M8X16 | | | |
| 7 | 37000560260 | PLATE | 1 | | | | | |
| 8 | 99172106012 | BOLT,TAPPING | 2 | | M6X12 | | | |
| 11 | 99172106016 | BOLT,TAPPING | 3 | | M6X16 | | | |
| 12 | 34721221200 | COVER | 1 | | | | | |
| 13 | 99172108020 | BOLT,TAPPING | 4 | | M8X20 | | | |
| 14 | (***** *****) | WHEEL,STEERING | 1 | | | | | |

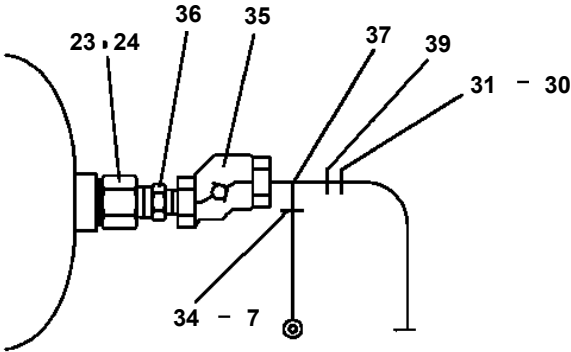
GR-700E-1-00101 5 BOOM + 2 JIB, 2M2D
PS1210008-01 PIPING,EMERGENCY STEERING (LOW PRESSURE)



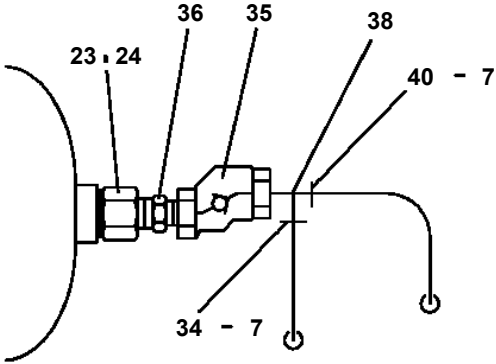
GR-700E-1-00101 5 BOOM + 2 JIB, 2M2D

| Pos No. | Parts No | Parts Name | Qty | Unit | Technical Data | Serial No (Start) | Serial No (End) | Re |
|---------|-------------|-----------------------------|-----|------|----------------|-------------------|-----------------|----|
| 1 | 34721987510 | BRACKET (COLUMN) | 1 | | | | | |
| 2 | 34721987520 | COLUMN ASSY | 1 | | | | | |
| 3 | 34721427570 | JOINT ASSY(UNIVERSAL JOINT) | 1 | | | | | |
| 4 | 34721987530 | NUT | 1 | | | | | |
| 5 | 34721987540 | PIN (LOCK) | 1 | | | | | |
| 6 | 34721987550 | LEVER | 1 | | | | | |
| 7 | 34721987560 | SCREW,MACHINE | 1 | | M6X30 | | | |
| 8 | 34721987570 | WASHER,TOOTH | 1 | | M6 | | | |
| 9 | 34721987580 | PIN | 1 | | | | | |
| 10 | 34721987590 | NUT | 1 | | M10 | | | |
| 11 | 34721987600 | U-NUT | 1 | | | | | |
| 12 | 34721987610 | GRIP | 1 | | | | | |
| 13 | 34721987620 | SCREW,MACHINE | 2 | | M5X10 | | | |
| 14 | 34721987630 | SPRING | 2 | | | | | |
| 17 | 34721987650 | SPRING | 1 | | | | | |
| 18 | 34721987660 | SPACER | 1 | | | | | |
| 19 | 34721987670 | WASHER,THRUST | 1 | | | | | |
| 35 | 34721427550 | BOLT | 2 | | | | | |
| 36 | 34721427560 | WASHER,SPRING | 2 | | | | | |
| 51 | 34721987640 | RACK (WITH PLATE) | 1 | | | | | |
| 500 | 34721422301 | SHAFT ASSY (STEERING) | 1 | | | | | |

GR-700E-1-00101 5 BOOM + 2 JIB, 2M2D
PT1200102-04 PIPING,BRAKE (UPPER)



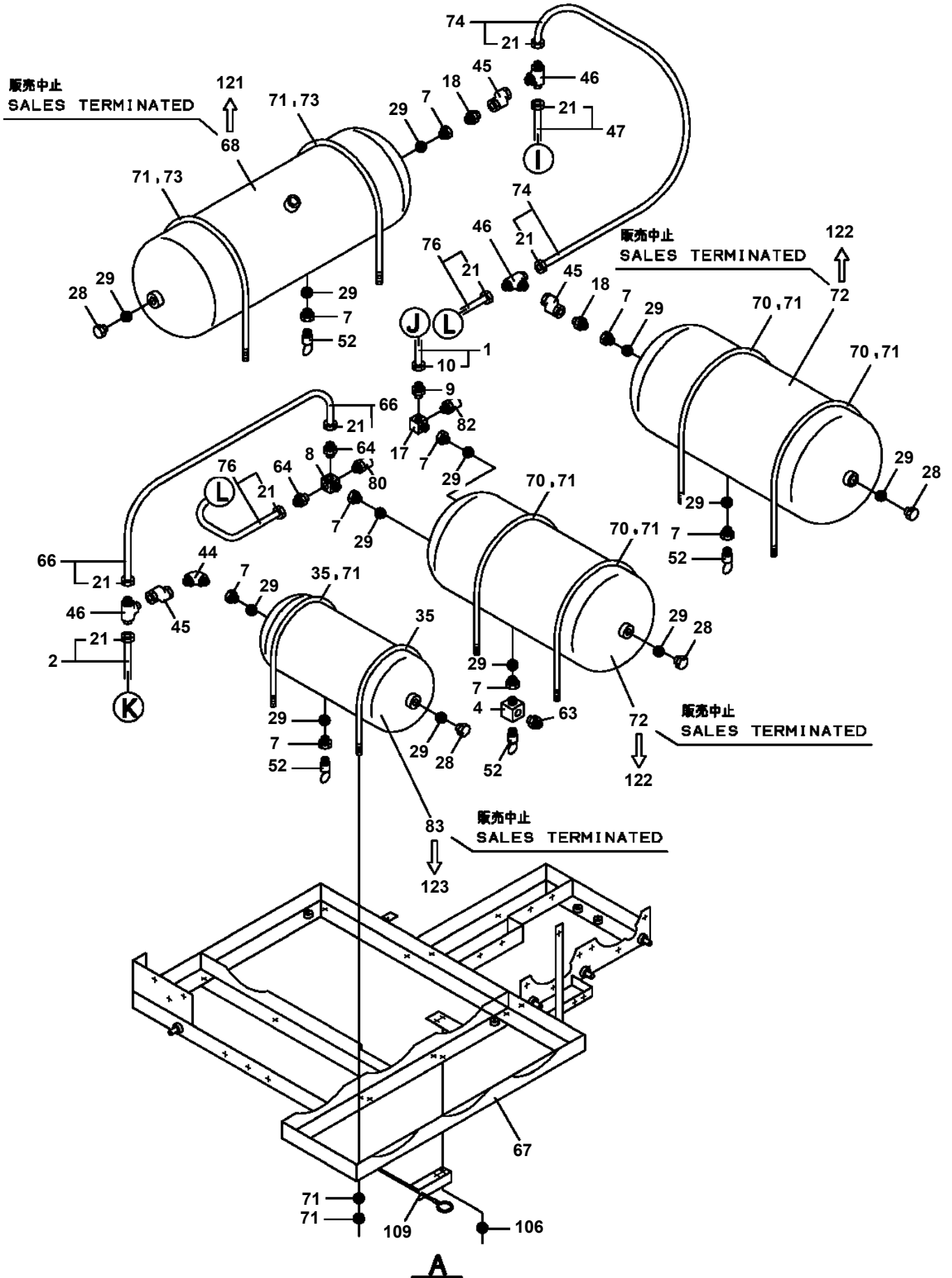
A



B

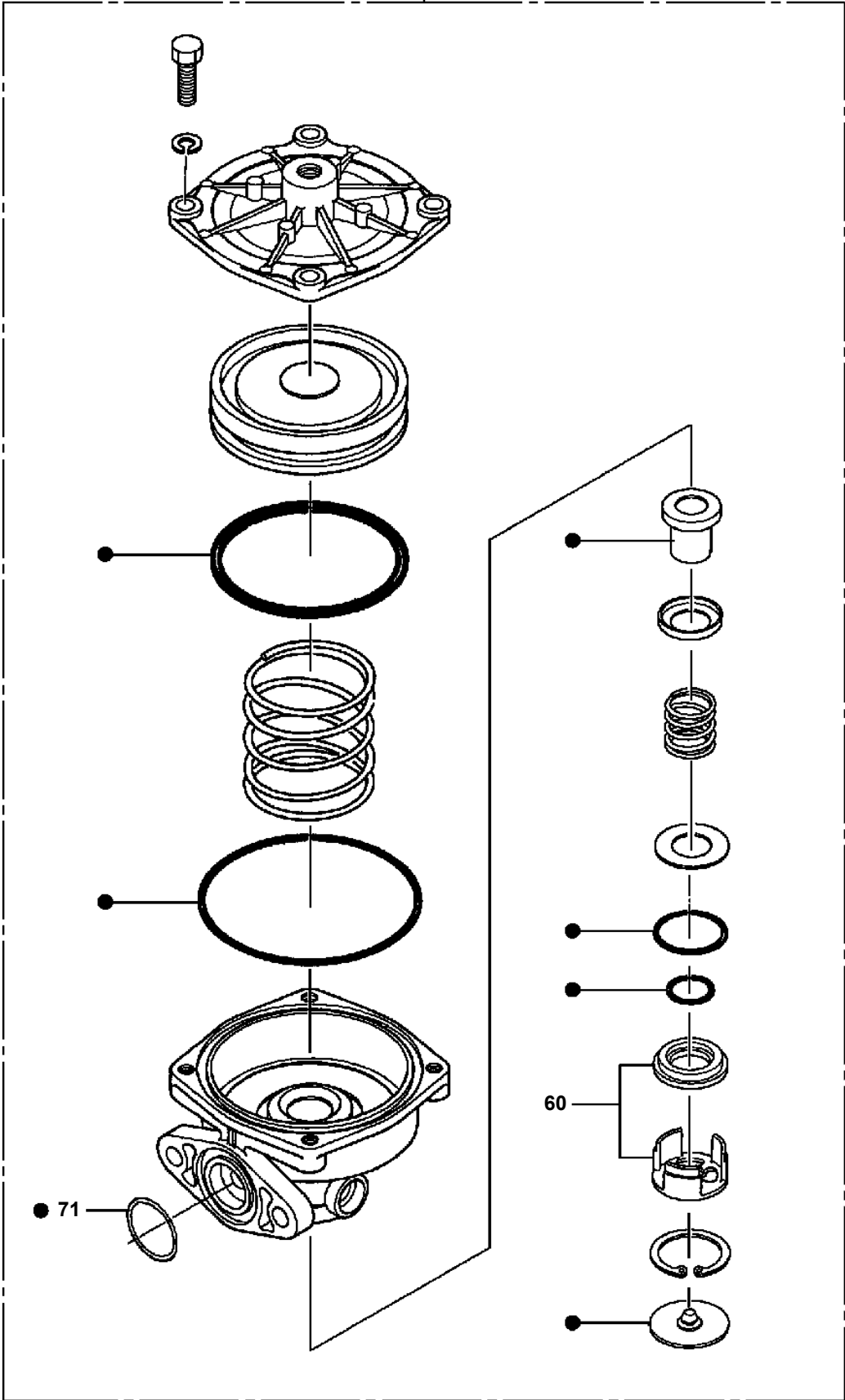
GR-700E-1-00101 5 BOOM + 2 JIB, 2M2D
 PT1220066-02 PIPING,AIR

545527



GR-700E-1-00101 5 BOOM + 2 JIB, 2M2D
PT1420006-08 BOOSTER (BRAKE)

33



GR-700E-1-00101 5 BOOM + 2 JIB, 2M2D

| Pos No. | Parts No | Parts Name | Qty | Unit | Technical Data | Serial No (Start) | Serial No (End) | Remarks | Pa |
|---------|-------------|--------------------|-----|------|----------------|-------------------|-----------------|---------|----|
| 100 | 37003804470 | TIRE (BRIDGESTONE) | 1 | | | | | | |

GR-700E-1-00101 5 BOOM + 2 JIB, 2M2D

| Pos No. | Parts No | Parts Name | Qty | Unit | Technical Data | Serial No (Start) | Serial No (End) | Remarks |
|---------|-------------|---------------------|-----|------|----------------|-------------------|-----------------|---------|
| 1 | 36646085031 | SOLENOID | 1 | | | | | |
| 100 | 36740705010 | VALVE ASSY,SOLENOID | 1 | | | | | |

GR-700E-1-00101 5 BOOM + 2 JIB, 2M2D

| Pos No. | Parts No | Parts Name | Qty | Unit | Technical Data | Serial No (Start) | Serial No (End) | Remarks |
|---------|-------------|---------------------|-----|------|----------------|-------------------|-----------------|---------|
| 1 | 91990150000 | BOX,TOOL | 1 | | | | | |
| 2 | 91992130750 | HAMMER | 1 | | 680G | | | |
| 3 | 91991340000 | SPANNER,OPEN-END | 1 | | | | | |
| 4 | 91991210300 | WRENCH,MONKEY | 1 | | 300MM | | | |
| 5 | 91994110200 | SCREWDRIVER | 1 | | L=200 | | | |
| 6 | 91994250002 | SCREWDRIVER (+) | 1 | | L=100 | | | |
| 7 | 91994121050 | SCREWDRIVER | 1 | | | | | |
| 8 | 91995110200 | PLIER (200MM) | 1 | | | | | |
| 9 | 91991540508 | WRENCH SET,HEXAGON | 1 | | | | | |
| 10 | 91991713820 | WRENCH,HUB NUT | 1 | | | | | |
| 11 | 19418930010 | HOSE | 1 | | 5X7X1300 | | | |
| 12 | 91996100001 | GAUGE,TIRE | 1 | | | | | |
| 13 | 37004100030 | PUMP,GREASE (240CC) | 1 | | | | | |
| 14 | 37002455450 | HOSE | 1 | | L=337 | | | |
| 20 | 34460518010 | TOOL SET | 1 | | | | | |

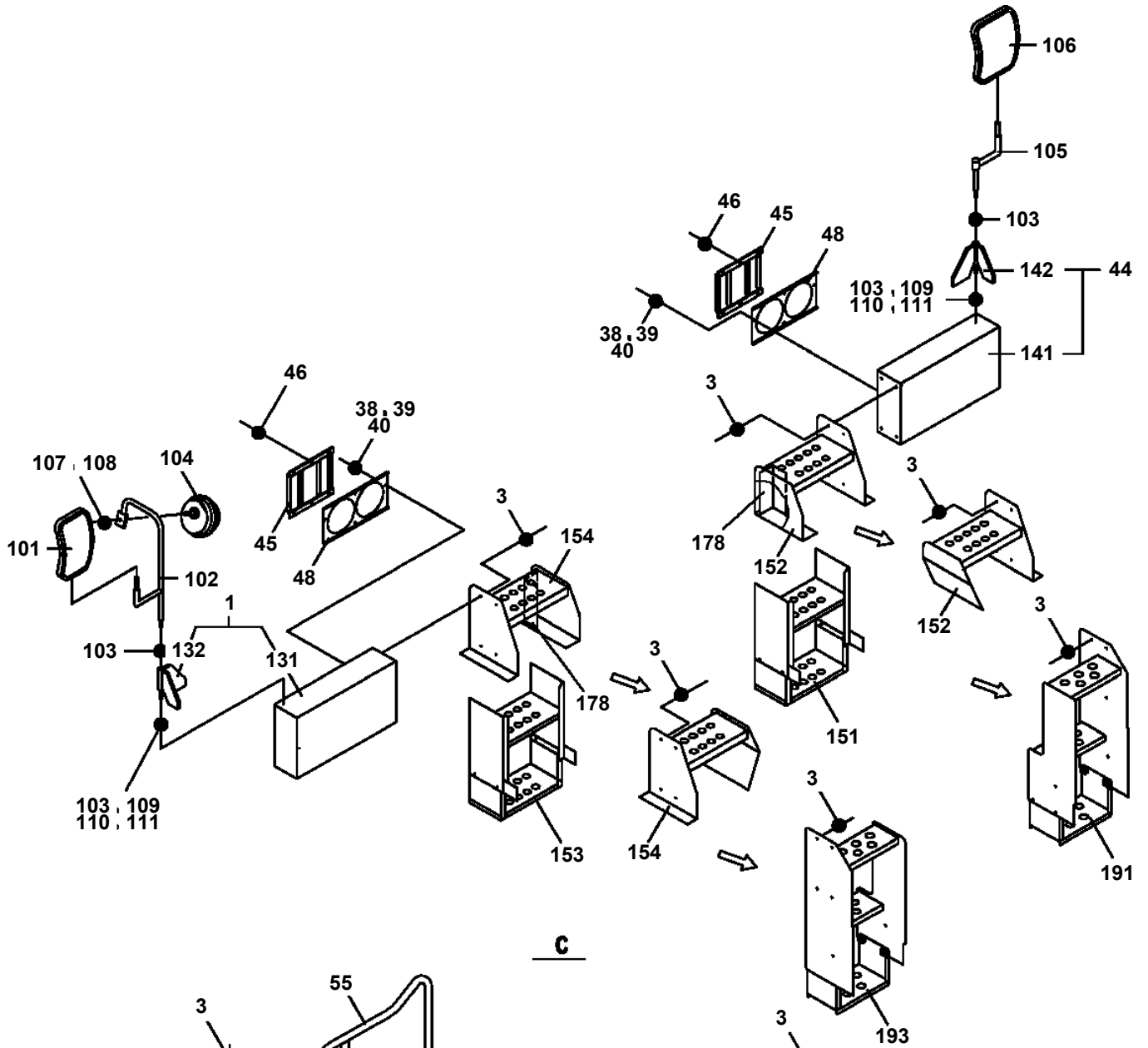
GR-700E-1-00101 5 BOOM + 2 JIB, 2M2D

| Pos No. | Parts No | Parts Name | Qty | Unit | Technical Data | Serial No (Start) | Serial |
|---------|-------------|---|-----|------|----------------|-------------------|--------|
| 1 | 37003901520 | WHEEL,TIRE | 1 | | | | |
| 2 | 37003804950 | TIRE (YOKOHAMA) | 1 | | | | |
| 11 | 34397020100 | PLATE,NAME (INSTALLED TIRES AT TIME OF) | 1 | | | | |

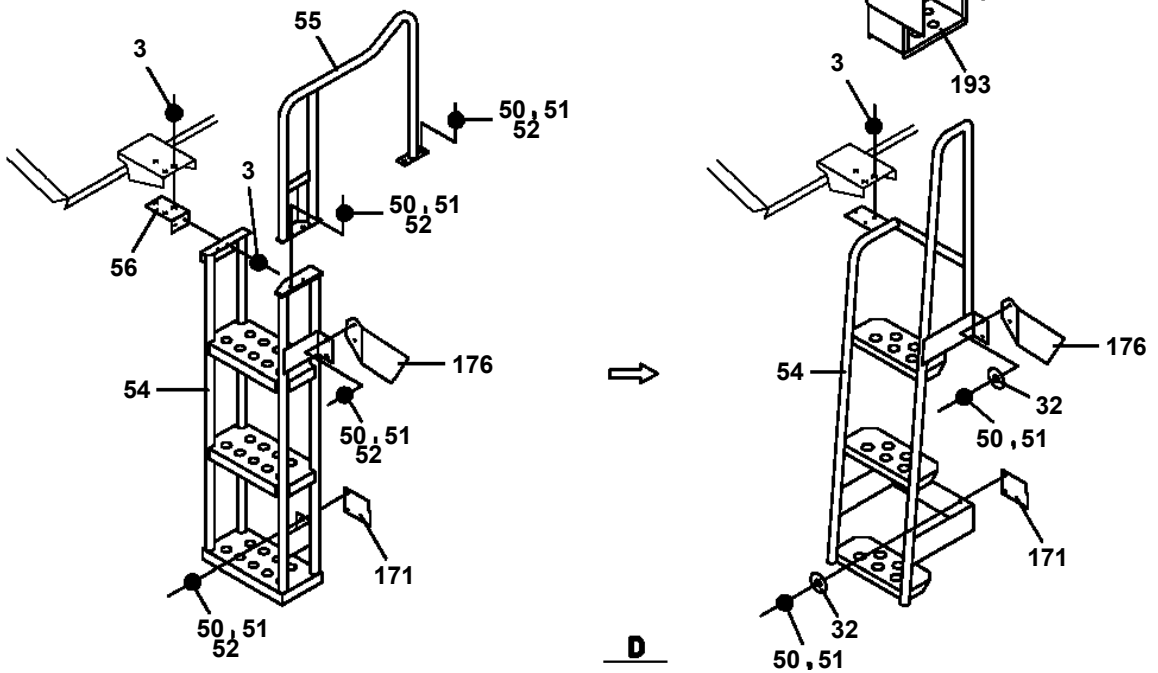
GR-700E-1-00101 5 BOOM + 2 JIB, 2M2D

| Pos No. | Parts No | Parts Name | Qty | Unit | Technical Data | Serial No (Start) | Serial |
|---------|-------------|---|-----|------|----------------|-------------------|--------|
| 1 | 37003901500 | WHEEL,TIRE | 1 | | | | |
| 2 | 37003805110 | TIRE (HUNG-A) | 1 | | | | |
| 4 | 37003804720 | VALVE | 1 | | | | |
| 21 | 34397020100 | PLATE,NAME (INSTALLED TIRES AT TIME OF) | 1 | | | | |

**GR-700E-1-00101 5 BOOM + 2 JIB, 2M2D
PX1030462-04 FENDER**

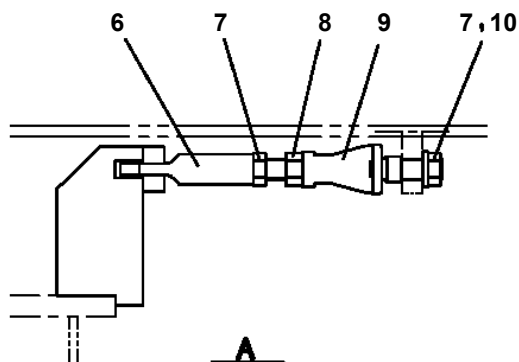
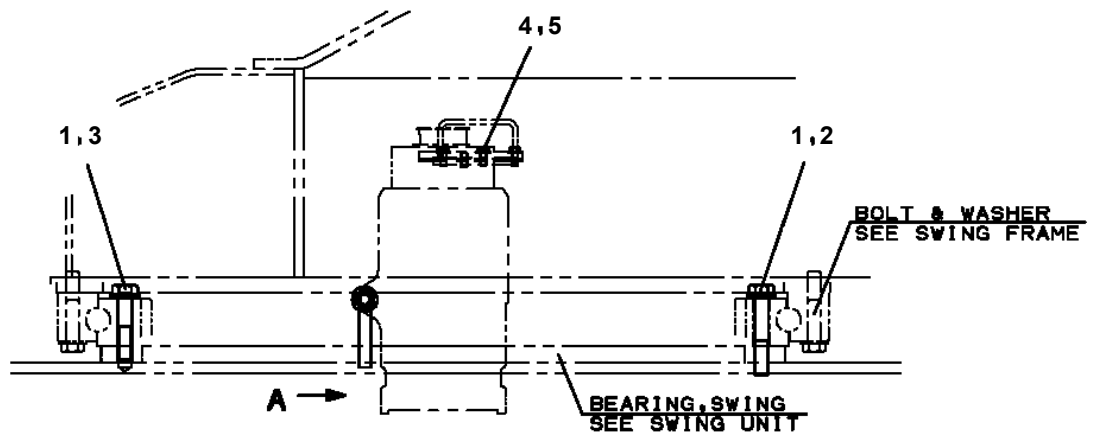
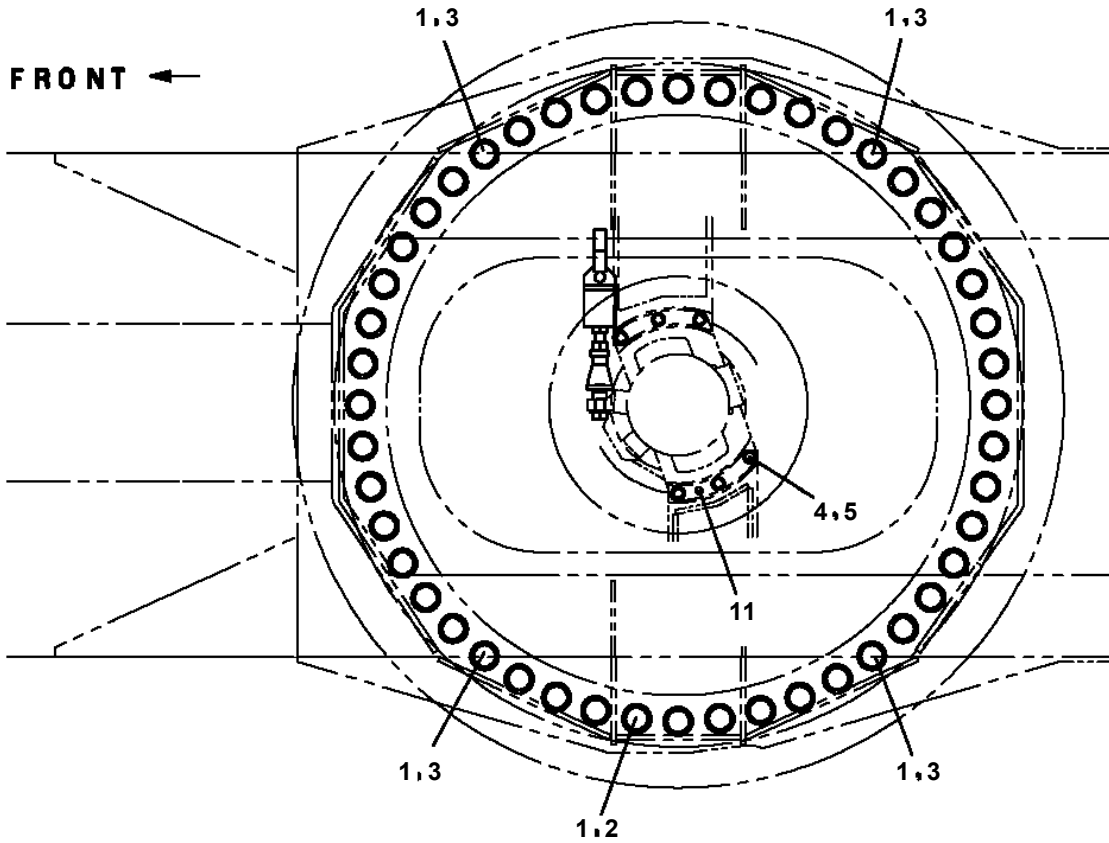


C



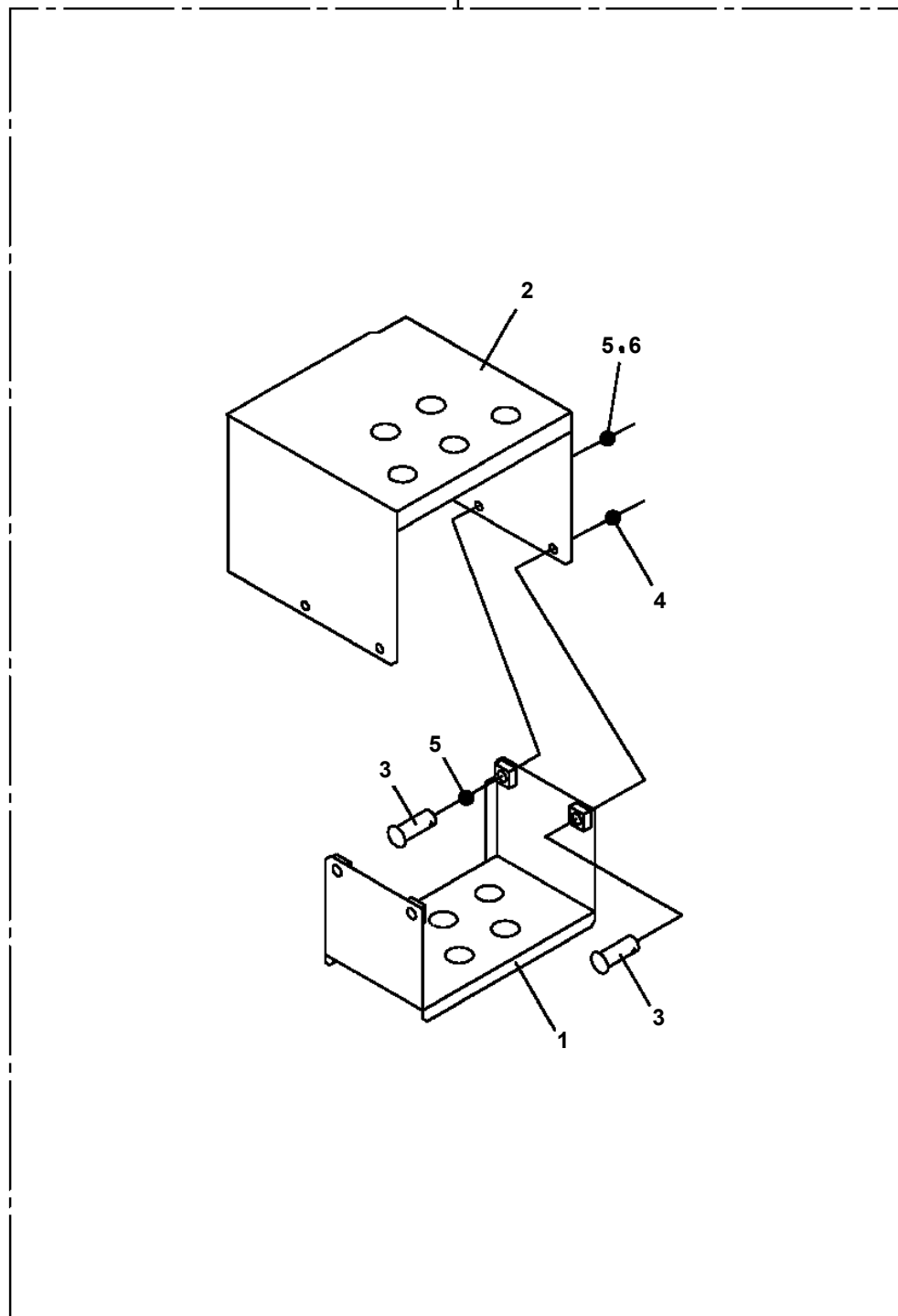
D

GR-700E-1-00101 5 BOOM + 2 JIB, 2M2D
 PX1160063-01 ATTACHMENT PARTS, SWING BEARING



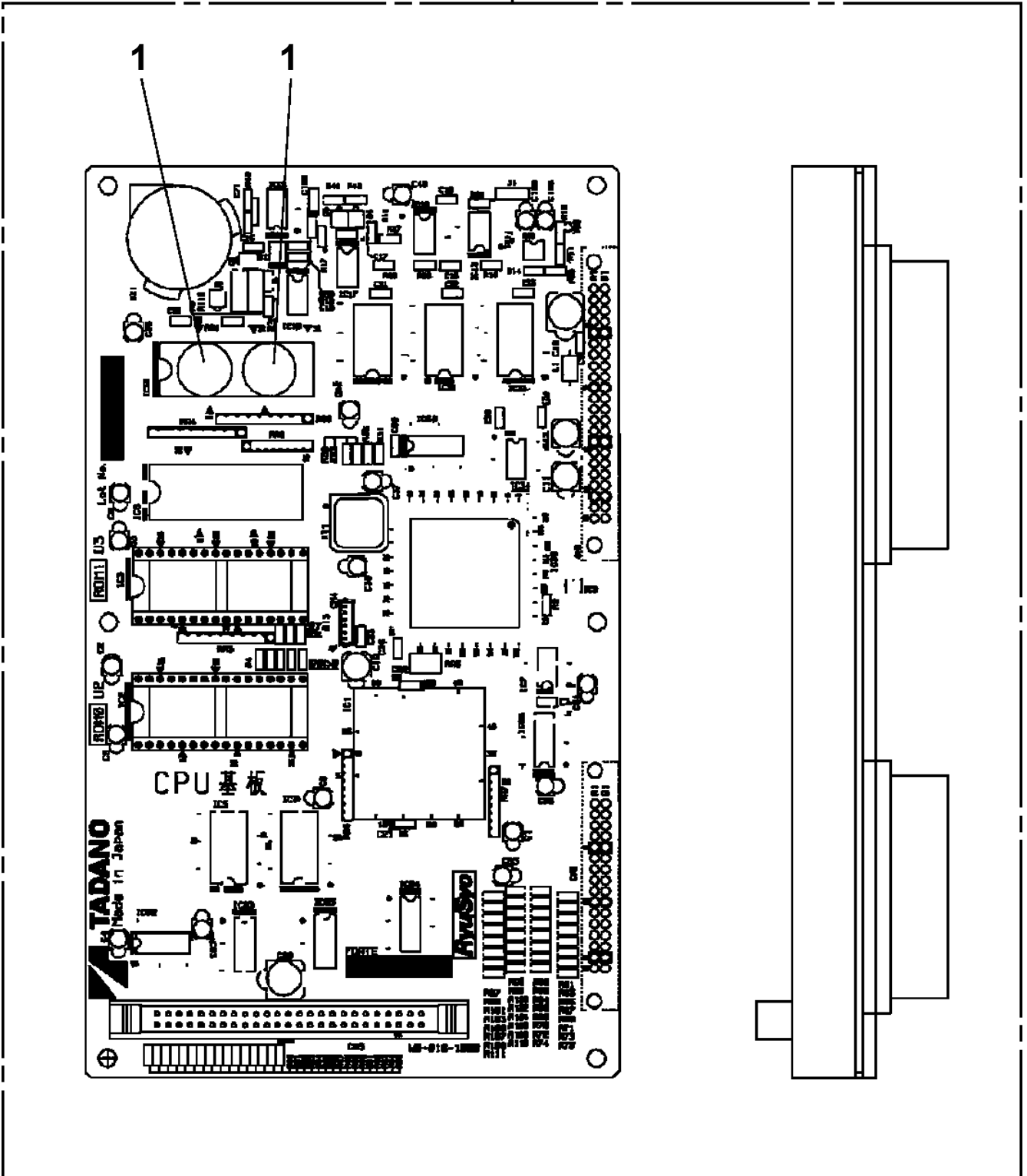
GR-700E-1-00101 5 BOOM + 2 JIB, 2M2D
PX1260194-00 STEP

50

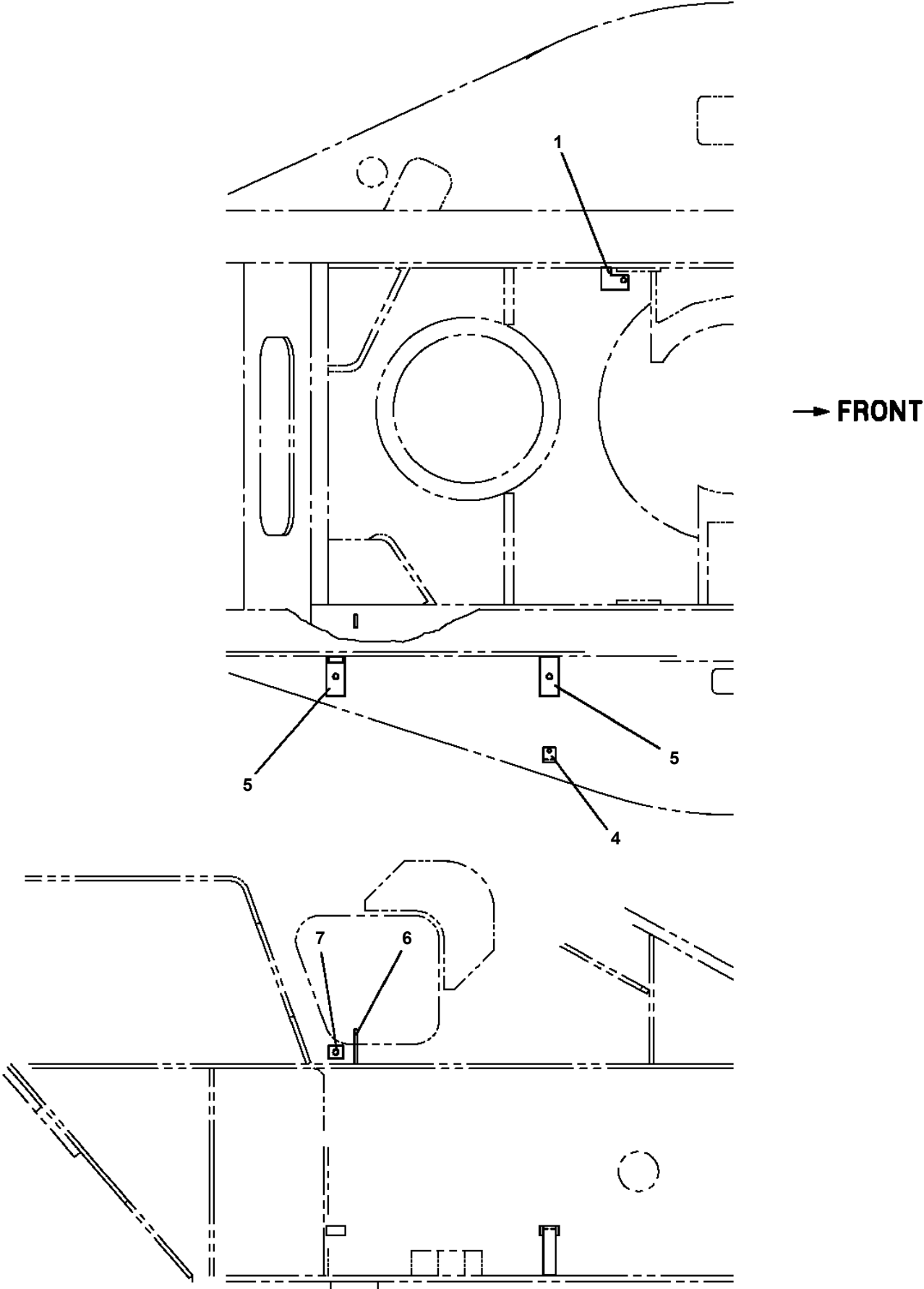


GR-700E-1-00101 5 BOOM + 2 JIB, 2M2D
PX1640014-00 BOARD

100



GR-700E-1-00101 5 BOOM + 2 JIB, 2M2D
PX1810123-01 MOUNT,SUPPORT (AIR CONDITIONER)



CLICK HERE TO **DOWNLOAD** THE COMPLETE MANUAL

- Thank you very much for reading the preview of the manual.
- You can download the complete manual from: www.heydownloads.com by clicking the link below



- Please note: If there is no response to CLICKING the link, please download this PDF first and then click on it.

CLICK HERE TO **DOWNLOAD** THE COMPLETE MANUAL