

GR-600-1-00213 5 BOOM + 2 JIB,2M2D

PB1000658-00 HYDRAULIC PRESSURE GENERATING SYSTEM
PC1000524-00 OUTRIGGER SYSTEM
PD1000543-00 SWING SYSTEM
PE1000547-00 ELEVATING SYSTEM
PF1000564-00 WINCH SYSTEM
PG1000498-00 TELESCOPING SYSTEM
PH1000565-00 SAFETY DEVICES
PK1000636-01 FRAME
PL1000598-00 CONTROL DEVICES
PM1000032-01 LUBRICATION DEVICES
PN1000510-00 ELECTRIC EQUIPMENT
PO1000150-00 INDICATION PLATES
PQ1000203-00 DRIVING POWER GENERATING SYSTEM
PR1000125-00 DRIVING POWER TRANSMISSION SYSTEM
PS1000153-00 STEERING SYSTEM
PT1000133-00 BRAKE SYSTEM
PU1000126-00 SUSPENSION
PW1000097-02 ACCESSORIES & TOOLS
PX1000867-02 MOUNTING PARTS
PY1001024-02 OPTIONS
ASSEMBLY

CLICK HERE TO **DOWNLOAD** THE COMPLETE MANUAL

- Thank you very much for reading the preview of the manual.
- You can download the complete manual from: www.heydownloads.com by clicking the link below



- Please note: If there is no response to CLICKING the link, please download this PDF first and then click on it.

CLICK HERE TO **DOWNLOAD** THE COMPLETE MANUAL

GR-600-1-00213 5 BOOM + 2 JIB,2M2D

Pos No.	Parts No	Parts Name	Qty	Unit	Technical Data	Serial No (Start)	Serial No (End)	Remarks	P
1	37001800350	ROPE,WIRE (TSK)	1						00
	37001807590	ROPE,WIRE (KISWIRE)	1						00
2	37001807160	ROPE,WIRE (KISWIRE)	1						00
	37001806990	ROPE,WIRE (TSK)	1						00
3	(*****)	SOCKET,ROPE	2						00
4	(*****)	PIPING,WINCH (MAIN)	1						00
5	(*****)	PIPING,WINCH (AUX.)	1						00
6	(*****)	MOUNT,WINCH (MAIN)	1						00
7	(*****)	MOUNT,WINCH (AUX.)	1						00

GR-600-1-00213 5 BOOM + 2 JIB,2M2D

Pos No.	Parts No	Parts Name	Qty	Unit	Technical Data	Serial No (Start)	Serial No (End)	Remarks	Pages
1	(*****)	PARTS,GREASING	1						000199

GR-600-1-00213 5 BOOM + 2 JIB,2M2D

Pos No.	Parts No	Parts Name	Qty	Unit	Technical Data	Serial No (Start)	Serial No (End)	Remarks
1	(*****)	OPE.ASSY,STEERING (CAB)	1					
2	(*****)	PIPING,STEERING (UPPER)	1					
3	(*****)	PIPING,STEERING (LOWER)	1					
4	(*****)	STEERING ASSY	1					

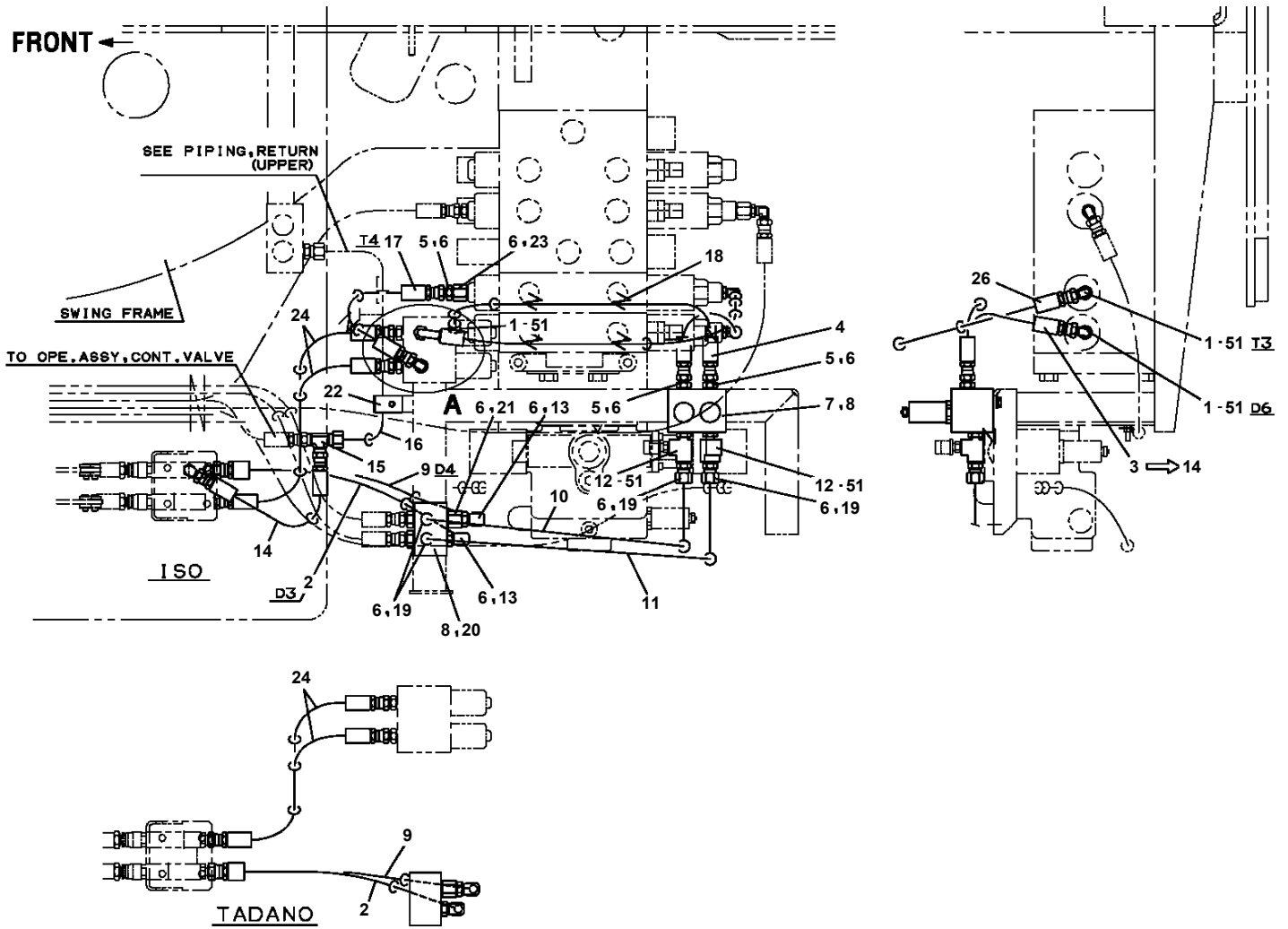
GR-600-1-00213 5 BOOM + 2 JIB,2M2D

Pos No.	Parts No	Parts Name	Qty	Unit	Technical Data	Serial No (Start)	S
1	(*****)	DETECTOR,DISORDERLY WIND (MAIN)	1				
2	(*****)	DETECTOR,DISORDERLY WIND (AUX.)	1				
3	(*****)	SINGLE TOP	1				
4	(*****)	DETECTOR,DRUM ROTATION (MAIN/TACTILE)	1				
5	(*****)	DETECTOR,DRUM ROTATION (AUX.)	1				
6	(*****)	PIPING,EMERGENCY STEERING (GRAND DRIVE)	1				
	(*****)	PIPING,EMERGENCY STEERING (LOW PRESSURE)	1				
7	(*****)	MIRROR (WINCH DRUM MONITOR)	1				
8	(*****)	FAN	1				
9	34730290000	INFLATOR,AIR	1				
16	37001901160	ROPE,WIRE (MAIN HOOK STOWING)	1				
17	(*****)	HOUR METER (MOUNT)	1				
18	(*****)	ACCESSORIES (HUB)	1				
19	(*****)	OPE.ASSY,CONT.VALVE (PEDAL NEUTRAL)	1				
20	(*****)	LAMP (LICENSE)	1				
22	(*****)	MODIFICATION ASSY (OH&S ALBERTA TIE OFF)	1				
31	(*****)	COMPRESSOR & CONDENSER ASSY	1				
32	(*****)	EVAPORATOR INSTALLATION,AIR CONDITIONER	1				
33	(*****)	PIPING,AIR CONDITIONER	1				
34	(*****)	PIPING,RADIATOR	1				
36	(*****)	AIR CONDITIONER ASSY	1				
38	(*****)	PLATE ASSY,NAME (FAN,BELT CAUTION)	1				
42	36090870000	HOOK (AUX.,5.6TON)	1				
44	(*****)	MOUNT,HOOK (AUX.)	1				
52	(*****)	NAME PLATE ASSY (AUX. HOOK)	1				

GR-600-1-00213 5 BOOM + 2 JIB,2M2D

Pos No.	Parts No	Parts Name	Qty	Unit	Technical Data	Serial No (Start)	Serial N
1	36653525010	SEAL KIT	1				
10	36653520000	PUMP,HYDRAULIC (EMERGENCY STEERING)	1				

**GR-600-1-00213 5 BOOM + 2 JIB,2M2D
PB1250045-03 PIPING,PILOT**



GR-600-1-00213 5 BOOM + 2 JIB,2M2D

Pos No.	Parts No	Parts Name	Qty	Unit	Technical Data	Serial No (Start)	Serial No (End)	Rem
101	91002801400	O-RING	2		1B P14			

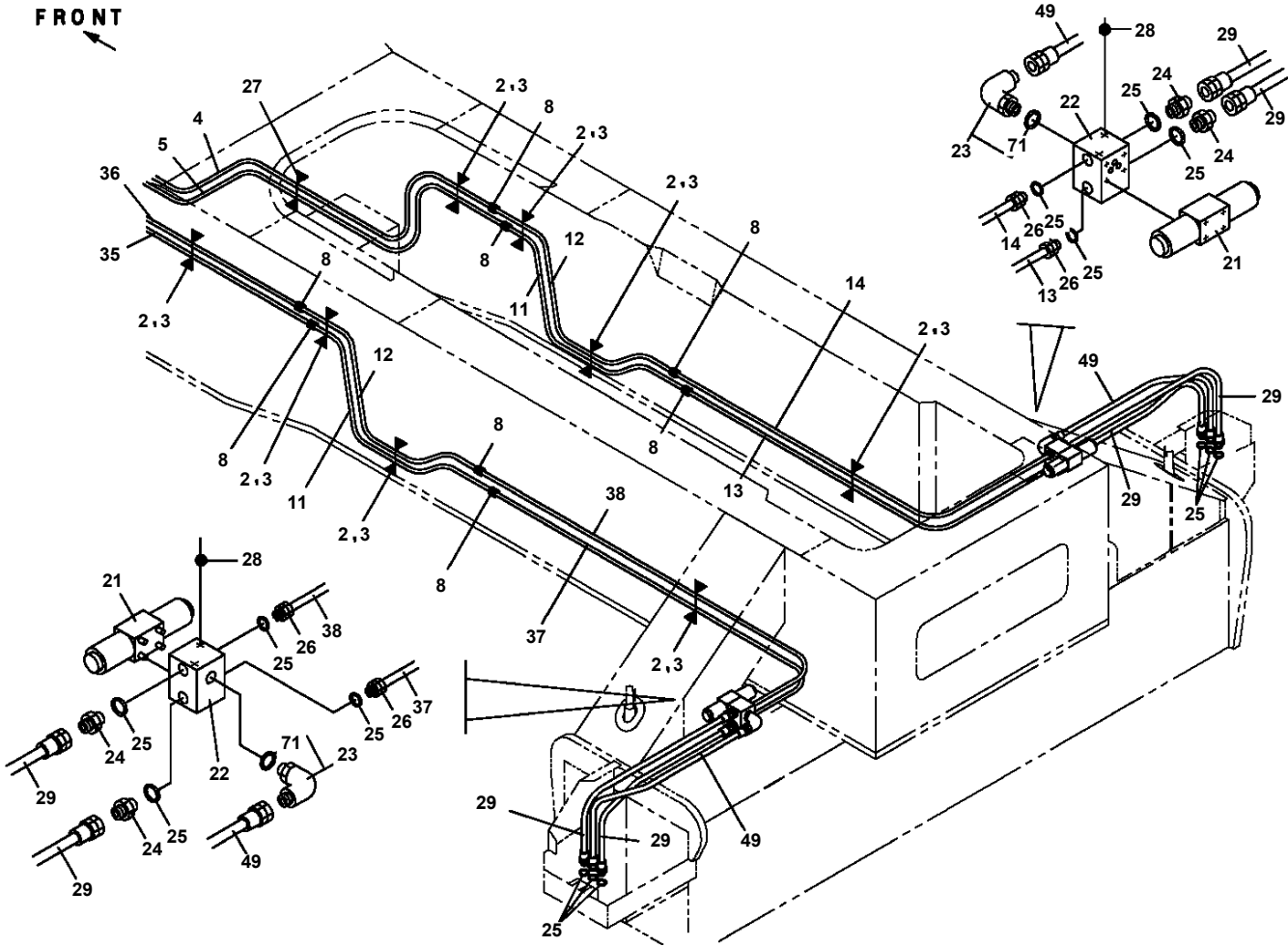
GR-600-1-00213 5 BOOM + 2 JIB,2M2D

Pos No.	Parts No	Parts Name	Qty	Unit	Technical Data	Serial No (Start)	Serial No (End)
10	34630597610	BRUSH	6				
13	34630597620	BRUSH	24				
18	34630597630	GUIDE	1				
19	34630597640	O-RING	1				
22	34630597660	PACKING	1				
26	34630981500	BREATHER	1				
27	34630981600	JOINT	1				
29	34630597670	BOLT,HEXAGON SOCKET	2		M6X6		
50	34630597650	POTENTIOMETER (WITH SUPPORT)	1				
100	34630591001	BRUSH,ROTARY JOINT	1				

GR-600-1-00213 5 BOOM + 2 JIB,2M2D

Pos No.	Parts No	Parts Name	Qty	Unit	Technical Data	Serial No (Start)	Serial No (End)	Remarks
1	36649415010	VALVE,CONTROL	1					
2	36649415020	VALVE,CONTROL	1					
3	36649415030	VALVE,CONTROL	1					
4	36646035050	COVER,END	1					
5	91002909500	O-RING	3		1B G95			
6	91002801000	O-RING	5		1B P10			
7	36649705020	BOLT,HEXAGON SOCKET	4		M12X170			
8	36636615040	VALVE,RELIEF	1					
9	36649415040	VALVE,RELIEF	1					
10	36636615330	VALVE,OVERLOAD RELIEF	2					
11	36649415050	VALVE,OVERLOAD RELIEF	1					
12	90131910045	BOLT,HEXAGON SOCKET	8		M10X45			
13	36634535210	PLUG	1		PF1/4			
14	91002801100	O-RING	1		1B P11			
15	36647205050	PLUG	1		NPT1-16			
16	36637265060	BOLT,EYE	2		M10			
36	91000512800	O-RING	8					
37	36648985130	RETAINER (SPRING)	2					
38	36646035120	SPRING (W2)	2					
39	36646035130	SPRING (W1)	2					
40	36646675040	RETAINER (SPRING)	4					
41	36648985090	END,SPOOL	2					
42	36646655070	COVER (PILOT)	2					
43	36646655080	COVER (PILOT)	2					
44	36630285200	CHOKE	2					
45	36631055180	SPRING	3					
46	36632585150	PLUG	7					
47	91002903000	O-RING	10		1B G30			
48	36646035150	RETAINER (SPRING)	3					
49	36631055300	VALVE,CHECK	3					
50	36631055310	SPRING	3					
51	36631055320	PLUG (CHECK VALVE)	3					
52	16095101070	O-RING	6					
53	90131908040	BOLT,HEXAGON SOCKET	16		M8X40			
54	90303100801	WASHER,PLAIN	16		8			
55	90302040801	WASHER,SPRING	16		8			
56	36636615210	PLUG	3		NPT3/8			
57	91002801400	O-RING	3		1B P14			
58	36647205050	PLUG	13		NPT1-16			
59	36648985110	BALL,STEEL	6		1/4			
60	90720008120	SCREW,SET	6		M8X12			
77	36646675030	RETAINER (SPRING)	2					
78	36646035160	SPRING (B1)	2					
79	36646035170	SPRING (B2)	2					
81	36646675050	END,SPOOL	2					
82	36646655130	COVER (PILOT)	1					
83	36646655140	COVER (PILOT)	2					
84	36648985120	BALL,STEEL	1		5/16			
85	36636615280	PLUG	1					
86	91002800800	O-RING	1		1B P8			
87	36631985090	CHOKE	2					
	36741645060	CHOKE	2			547026	547025	
88	36646035180	SPRING	2					
89	36636615350	PLUG	4					
90	91002802400	O-RING	4		1B P24			
102	36646655150	COVER (PILOT)	1					
114	91002802800	O-RING	2		1B P28			
115	91411002800	RING,BACKUP	2		P28			
117	13215111010	PACKING	2					
122	91001001600	O-RING	10		1A S16			
125	16025153020	SPRING	3					
133	91000501500	O-RING	3		AS568-015			
134	16025153030	SPRING	3					

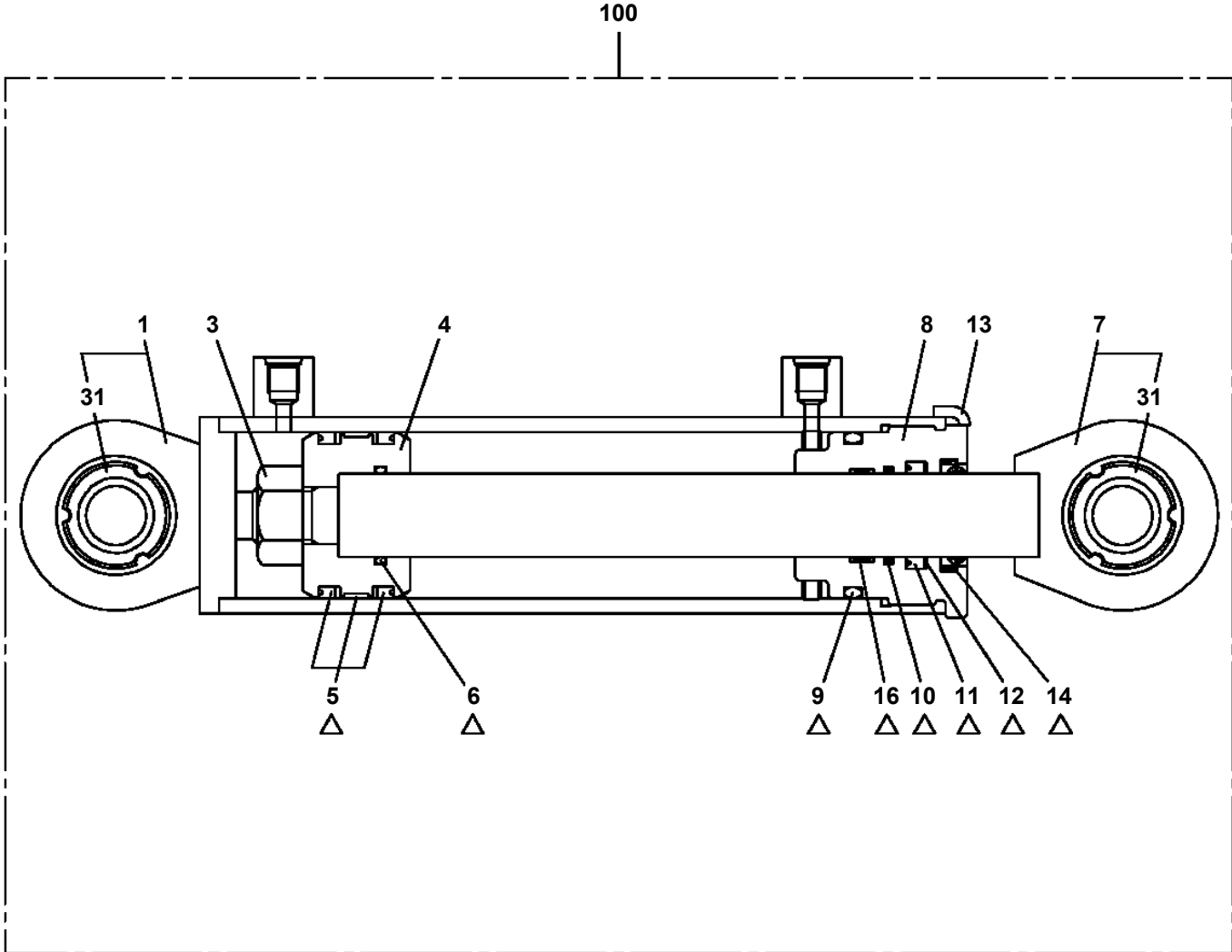
**GR-600-1-00213 5 BOOM + 2 JIB,2M2D
PC1200469-01 PIPING,OUTRIGGER**



GR-600-1-00213 5 BOOM + 2 JIB,2M2D

Pos No.	Parts No	Parts Name	Qty	Unit	Technical Data	Serial No (Start)	Serial No (End)	Remarks	Page
1	36320455490	CONDENSER	1						
2	36320765010	SUPPORT	1						
3	36320565030	SUPPORT	1						
4	36320565040	SUPPORT	1						
5	36320765020	FAN ASSY	1						
6	36320565060	PIPE	1						
7	36320765030	RECEIVER (DRIER)	1						
8	36320765040	BOLT	4						
9	36320765050	BOLT	6						
10	36320765060	NUT	8						
11	36320765070	WASHER	6						
12	36320765080	WASHER,SPRING	8						
13	36320455940	BOLT	1						
14	36320565100	WASHER	2						
100	36320762010	CONDENSER ASSY	1						

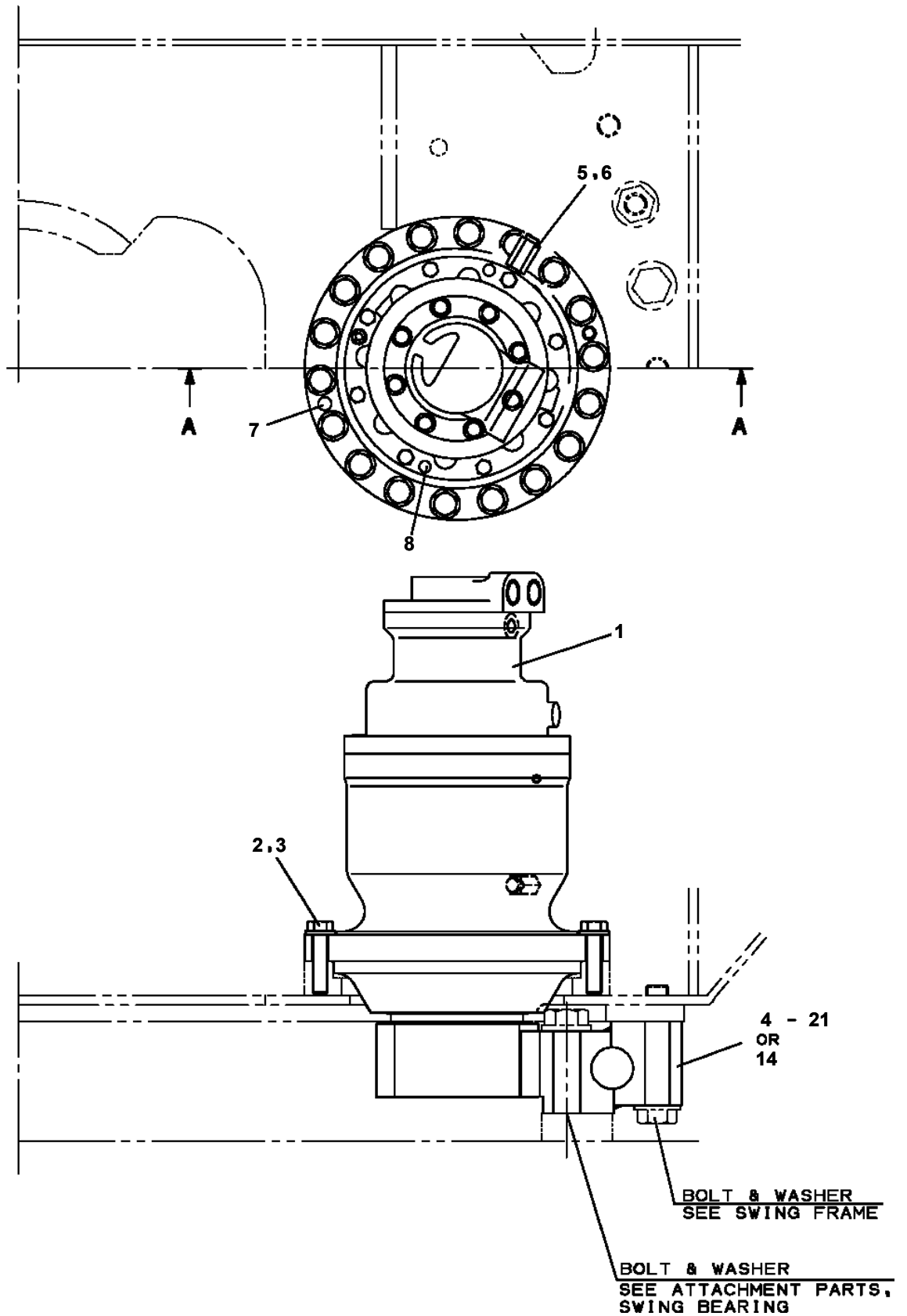
GR-600-1-00213 5 BOOM + 2 JIB,2M2D
PC6200001-02 CYLINDER ASSY (QUICK TURN JIB)



△:PACKING SET KEY NO.50 (KEY NO.5,6,9,10,11,12,14,16)

GR-600-1-00213 5 BOOM + 2 JIB,2M2D
PD1020029-01 SWING UNIT

FRONT ←



GR-600-1-00213 5 BOOM + 2 JIB,2M2D

Pos No.	Parts No	Parts Name	Qty	Unit	Technical Data	Serial No (Start)	Serial No (End)	Remarks	Pages
2	34510702220	PACKING	1				546215		
	34510702250	PACKING	1			546216			
3	34510702230	PACKING	1				546215		
	34510702260	PACKING	1			546216			
5	34510702270	PACKING	1			546216			
100	34510702200	DUCT	1						

GR-600-1-00213 5 BOOM + 2 JIB,2M2D

Pos No.	Parts No	Parts Name	Qty	Unit	Technical Data	Serial No (Start)	Serial No (End)	Remarks	Pages
2	34510702720	PACKING	1				546215		
	34510702730	PACKING	1			546216			
3	34510702740	PACKING	1			546216			
100	34510702700	DUCT	1						

GR-600-1-00213 5 BOOM + 2 JIB,2M2D

Pos No.	Parts No	Parts Name	Qty	Unit	Technical Data	Serial No (Start)	Se
1	(*****)	ACCESSORY LIST (ENGINE:MOUNTING PARTS)	1				
2	(*****)	ACCESSORY LIST (ENGINE:ELECTRICAL DEVICE)	1				
3	(*****)	ACCESSORY LIST (RADIATOR)	1				
100	36361520000	ENGINE ASSY (MITSUBISHI)	1				

GR-600-1-00213 5 BOOM + 2 JIB,2M2D

Pos No.	Parts No	Parts Name	Qty	Unit	Technical Data	Serial No (Start)	Serial No (End)	Remarks
1	36071525010	BRACKET	1					
3	90131914045	BOLT,HEXAGON SOCKET	8		M14X45			
4	90302041401	WASHER,SPRING	8		14			
5	91210065001	SEAL,OIL	1					
7	36070055040	RETAINER (BEARING)	1					
8	80500006215	BEARING,BALL	1					
9	80561100150	NUT,LOCK	2		AN15			
10	80562100150	WASHER (LOCK)	2		AW15			
11	36070055050	COLLAR (B)	1					
12	90102512030	BOLT	18		M12X30			
13	90302041201	WASHER,SPRING	18		12			
14	36070055061	GEAR,DRUM	1					
15	36070055081	COLLAR (A)	1					
16	80500006219	BEARING,BALL	1					
17	80500006313	BEARING,BALL	1					
18	36070495020	CASE,GEAR	1					
19	36071605040	GEAR,SPUR	1					
20	80500006312	BEARING,BALL	1					
21	36070055030	COVER (B)	1					
22	36070055090	RETAINER (BEARING A)	1					
23	91206110001	SEAL,OIL	1					
24	90101520060	BOLT	6		M20X60			
25	90302042001	WASHER,SPRING	6		20			
26	36070495040	PLATE (LOCK)	6					
27	36070495050	BOSS (DRUM)	1					
28	36070095040	PIN	3					
29	36073185010	DRUM	1					
31	80516006311	BEARING,BALL	1					
32	36070495080	STAND (BEARING)	1					
33	90131908025	BOLT,HEXAGON SOCKET	16		M8X25			
34	90302040801	WASHER,SPRING	16		8			
35	18023000010	PLUG	1					
36	80303080080	ELBOW	1					
37	36070055170	COVER (GEAR CASE)	1					
38	80316090060	PLUG	2		KKT PT3/8			
51	36070495090	DRUM,SHAFT	1					
60	36073185020	DRUM ASSY	1					
100	36073180000	WINCH	1					

GR-600-1-00213 5 BOOM + 2 JIB,2M2D

Pos No.	Parts No	Parts Name	Qty	Unit	Technical Data	Serial No (Start)	Serial No (End)	Remarks	P
1	37001807590	ROPE,WIRE (KISWIRE)	1						

GR-600-1-00213 5 BOOM + 2 JIB,2M2D

Pos No.	Parts No	Parts Name	Qty	Unit	Technical Data	Serial No (Start)	Serial No (End)	Remarks	Page
1	81408000341	PIPE,STEEL	3	M	28X3.1T				
2	81408000341	PIPE,STEEL	2	M	28X3.1T				
3	37000711100	CLAMP ASSY	2		28X2				
4	80302090141	FITTING	5		KCO12-020N				
5	91002801100	O-RING	6		1B P11				
6	81408000160	PIPE,STEEL	1	M	12X1.4T				
7	80400160127	JOINT	1						
8	81408000160	PIPE,STEEL	1	M	12X1.4T				
9	81408000160	PIPE,STEEL	2	M	12X1.4T				
11	90171112040	BOLT	8		M12X40				
13	36645290000	VALVE,HYDRAULIC	1						0001
14	80302090322	FITTING	2		KCO28-080N				
15	91002802900	O-RING	2		1B P29				
16	90101210020	BOLT	2		M10X20				
17	90302041001	WASHER,SPRING	2		10				
18	80301010100	FITTING	1		KUA12-000N				
19	37000701510	CLAMP ASSY	2		12X2				
20	81408000160	PIPE,STEEL	3	M	12X1.4T				
21	37000701500	CLAMP ASSY	1		12X1				
22	37000300740	SLEEVE	1		18-12				
23	37002450740	HOSE	1		L=315				
24	80320010075	FITTING	1		KUD12-020N				
25	80306010245	NUT	2		KKN28-000E				
26	80309010245	SLEEVE	2		28				
32	37002479360	HOSE	2		L=1100				
41	91000522200	O-RING	2		AS568-222-1B				

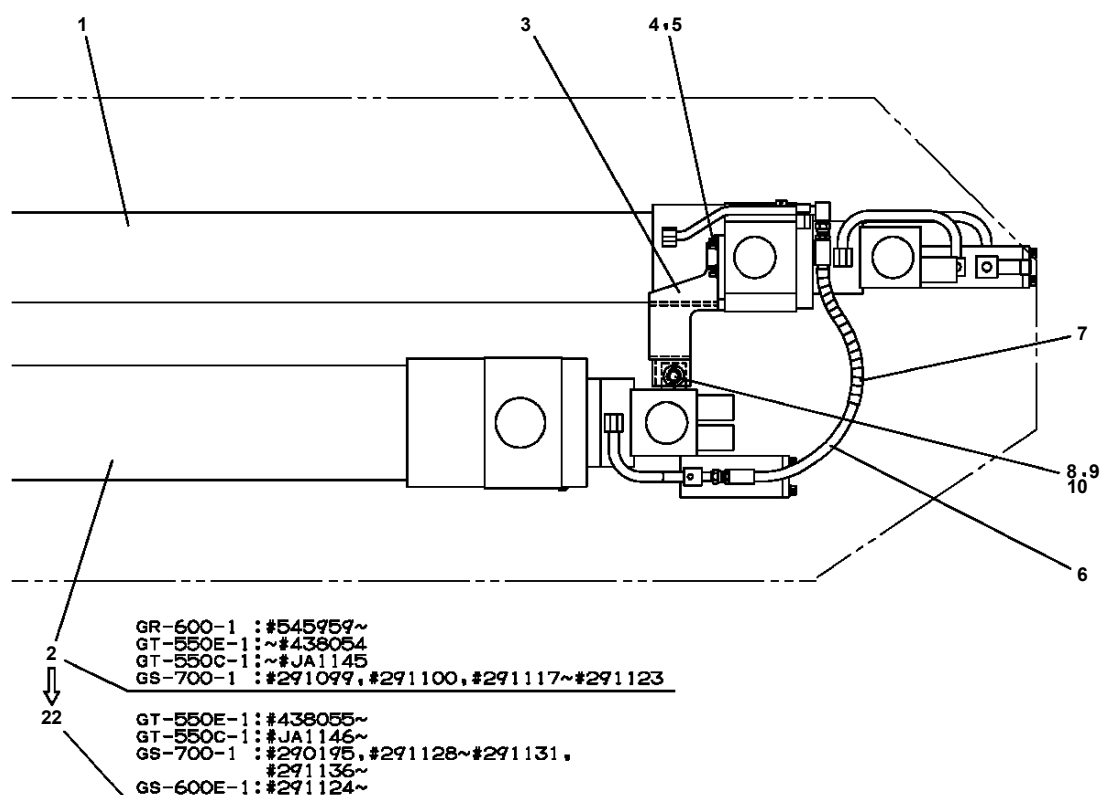
GR-600-1-00213 5 BOOM + 2 JIB,2M2D

Pos No.	Parts No	Parts Name	Qty	Unit	Technical Data	Serial No (Start)	Serial No (End)	Remarks	Pag
1	36073180000	WINCH	1						000
2	18023003000	WEDGE	1						0003
3	90171120060	BOLT	4		M20X60				
4	90303502001	WASHER,PLAIN	13		20				
5	36663550000	MOTOR,HYDRAULIC	1						000
6	90101720075	BOLT	7		M20X75				
7	14123000400	BREATHER	1		PT1/8				
8	37001508080	BOLT	1						
9	90201702000	NUT	1		M20X2.5				

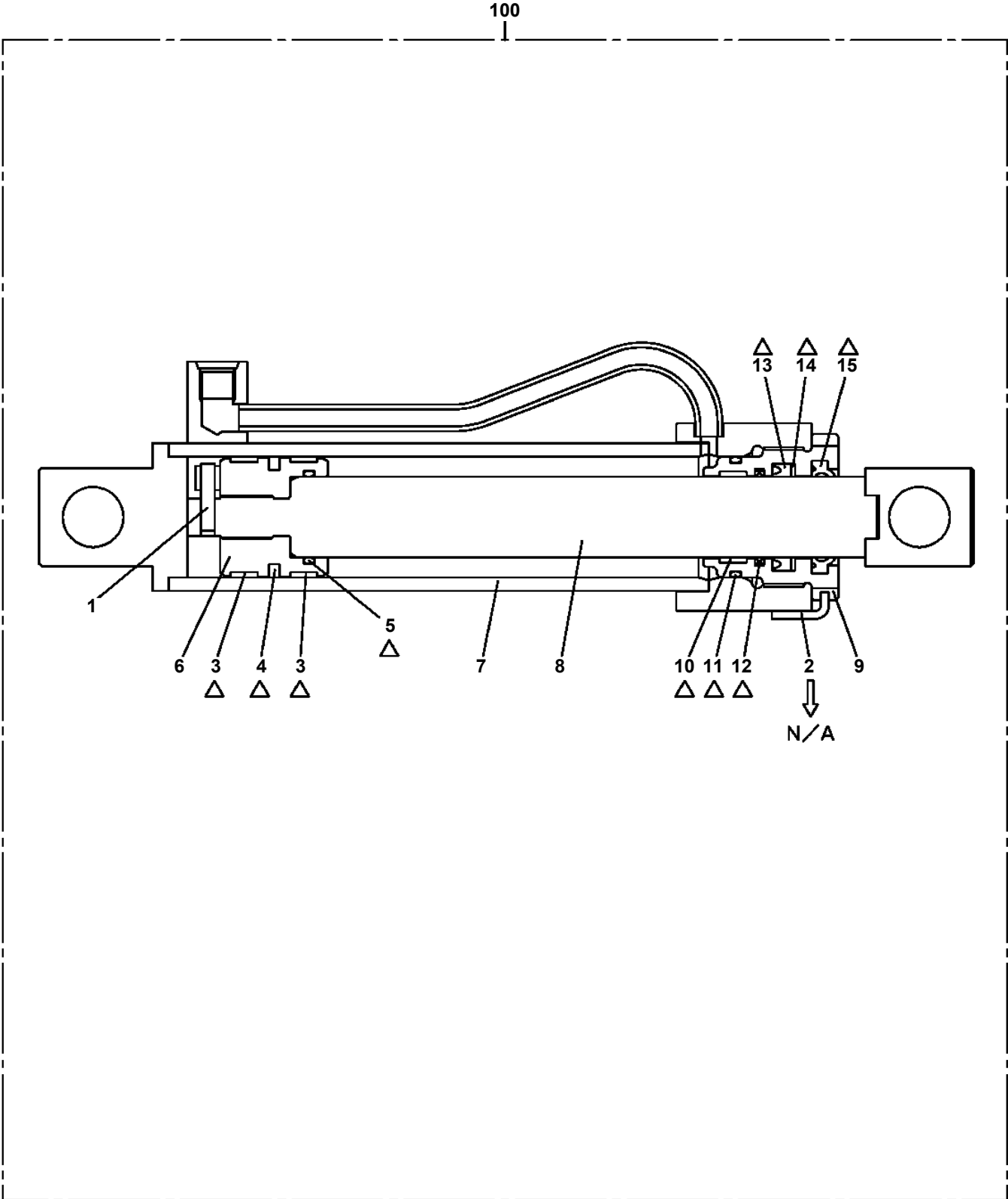
GR-600-1-00213 5 BOOM + 2 JIB,2M2D

Pos No.	Parts No	Parts Name	Qty	Unit	Technical Data	Serial No (Start)	Serial No (End)	Remarks
121	37000569070	PLATE	N		T=1.2			
122	37000569080	PLATE	N		T=0.6			
123	34201420601	RETAINER	2					
124	34201420651	RETAINER	2					
125	37002009690	PLATE,SLIDE	2				546330	
	37002016830	PLATE,SLIDE	2			546331		
126	37000569100	PLATE	N		T=1.2			
127	37000569110	PLATE	N		T=0.6			
128	33201210701	RETAINER	1					
129	33201210751	RETAINER	1					
130	37000154530	PIN	2					
131	80601110300	RING,RITAINING	2		S30			
132	33201210100	SUPPORT	2					
133	90101514031	BOLT	8		M14X30			
134	90302041401	WASHER,SPRING	8		14			
135	33201210200	SPACER	1					
136	37000180690	PIN	1		L=530			
137	34201570550	GUIDE	2					
138	90101508022	BOLT	8		M8X22			
139	37001000760	SHEAVE ASSY	2					
140	90101506010	BOLT	16		M6X1.0			
141	80136340036	PIN,SPLIT	1		4X36			
142	90172112030	BOLT,HEXAGON SOCKET	4		M12X30			
144	90172110025	BOLT,HEXAGON SOCKET	4		M10X25			
145	90302041001	WASHER,SPRING	4		10			
146	33201210850	SUPPORT	1					
147	37000180820	PIN	1					
148	37000505440	PLATE	N		T=1.6			
149	37000313300	SPACER	2		L=17			
150	37000313310	SPACER	2		L=4			
151	37000180910	PIN	1					
152	37001000270	SHEAVE ASSY	4					
153	37000180960	PIN	2		L=520			
154	37000312840	SPACER	4		L=35			
155	34201570951	RETAINER	1					
156	34201570851	RETAINER	1					
157	37000578560	PLATE	1					
158	37000578570	PLATE	1					
159	37002010540	PLATE,SLIDE	8				546330	
	37002017100	PLATE,SLIDE	8			546331		
160	37000564450	PLATE	N		T=1.0			
161	37000566510	PLATE	N		T=0.6			
162	33201210901	RETAINER	1					
163	33201210951	RETAINER	1					
164	34200860301	RETAINER	2					
165	34200860351	RETAINER	2					
166	33201210301	SUPPORT	1			546732		
167	90101512028	BOLT	N		M12X28			
168	37000175190	PIN	2					
169	80136350056	PIN,SPLIT	2		5X56			
171	37001507560	BOLT	4					
172	90201402000	NUT	4		M20			
191	34200160030	PLATE	2					
192	33200000210	SHIM	N		T=1.0			
193	33200000220	SHIM	N		T=0.6			
194	37002002410	PLATE,SLIDE	2					
195	90101512025	BOLT	10		M12X25			
196	90302041201	WASHER,SPRING	10		12			
198	90101212025	BOLT	2		M12X25			
222	80515006018	BEARING,BALL	4					
232	80515006020	BEARING,BALL	10					
241	34200800200	SUPPORT	1					
242	90202403300	NUT	2		M33			

**GR-600-1-00213 5 BOOM + 2 JIB,2M2D
PG1050451-06 CYLINDER,TELESCOPING**

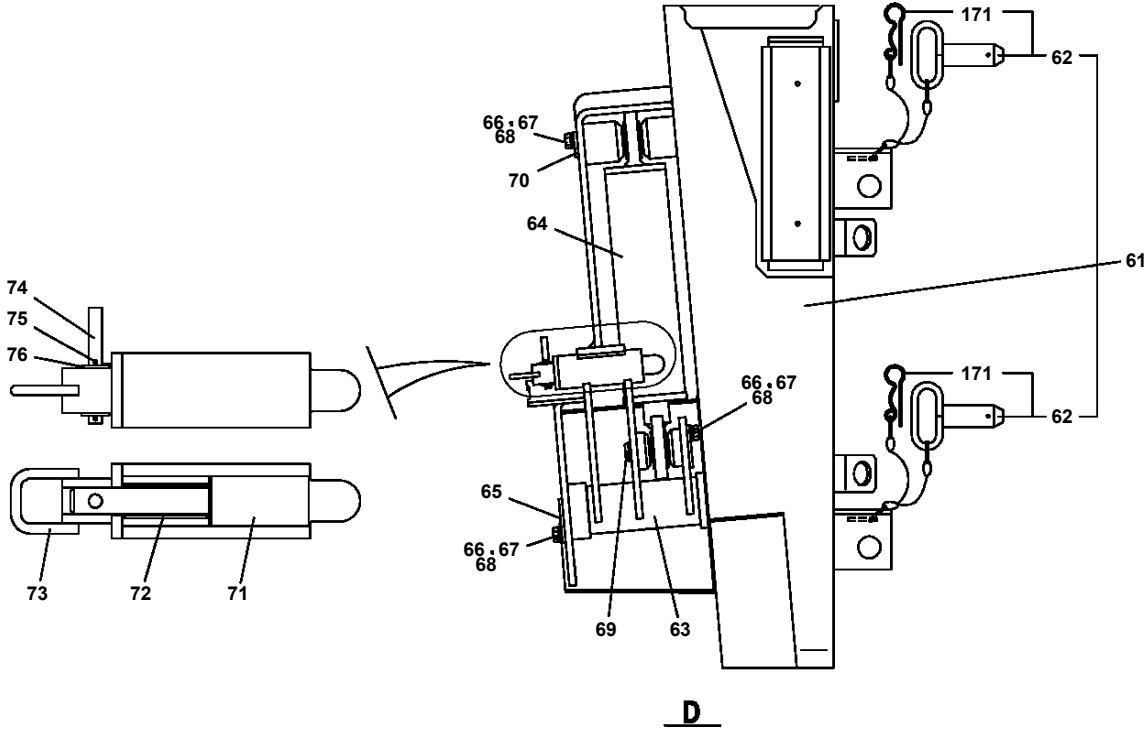


GR-600-1-00213 5 BOOM + 2 JIB,2M2D
PG1080081-00 CYLINDER,JIB



Δ:PACKING SET KEY NO.41 (KEY NO.3,4,5,10,11,12,13,14,15)

GR-600-1-00213 5 BOOM + 2 JIB,2M2D
PG1250013-05 ATTACHMENT,JIB



GR-600-1-00213 5 BOOM + 2 JIB,2M2D

Pos No.	Parts No	Parts Name	Qty	Unit	Technical Data	Serial No (Start)	Serial No (End)	Remarks	Pages
1	34443550100	SUPPORT	1						
2	34443550200	GUIDE ASSY	1						
3	33442120200	GUIDE	2						
4	34443760100	SUPPORT	4				547242		
5	34443560600	GUIDE	1						
8	37000514230	PLATE	4						
9	90101512020	BOLT	12		M12X20				
10	90302041201	WASHER,SPRING	12		12				
12	34443411600	SUPPORT	1						
13	34440040600	PLATE	1						
14	90101210018	BOLT	4		M10X18				
15	90302041001	WASHER,SPRING	7		10				
16	33442125200	SUPPORT	1						
17	37000301410	SPACER	9		L=3				
18	37000145560	PIN	3						
19	37001107010	ROLLER ASSY	3						
20	37001106990	ROLLER ASSY	3						
21	34443550600	GUIDE	6						
22	90101210016	BOLT	3		M10X16				
23	37000304660	SPACER	6		L=2				
24	31202253550	PLATE	2						
26	34443411700	GUARD	2						
27	34443560400	PLATE	1						
28	34443560500	PLATE	1						
29	34443760200	SHEAVE ASSY	1				546214		
	34443760800	SHEAVE ASSY	1			546215			
30	34443760400	SHEAVE ASSY	1				546214		
	34443760600	SHEAVE ASSY	1			546215			
41	34443550250	GUIDE	1						
42	90101210016	BOLT	4		M10X16				
43	90302041001	WASHER,SPRING	6		10				
44	37000507820	PLATE	2						
51	34443550400	SUPPORT	1						
52	37000180460	PIN	1						
53	37000301410	SPACER	2		L=3				
56	34443550500	SUPPORT	1						
57	37000509960	PLATE	1						
58	90101510020	BOLT	2		M10X20				
61	33442128010	ROLLER ASSY	1						
85	37001000210	SHEAVE ASSY	2						
102	80513006206	BEARING,BALL	12						
122	80516006206	BEARING,BALL	2						
132	80602110800	RING,RITAINING	2		R80				
133	80514006208	BEARING,BALL	4				549747		
	80514006208	BEARING,BALL	4			546215	549747		
	80513006208	BEARING,BALL	4			549748			
151	34443760500	SUPPORT	1				546214		
153	80601110400	RING,RITAINING	2		S40				
154	37000188270	PIN	2				546214		
155	37000200690	PIN,SNAP	2				546214		
156	80136340032	PIN,SPLIT	2		4X32		546214		
157	90303071601	WASHER,PLAIN	4		16		546214		
161	34443760300	SUPPORT	1				546214		
171	34443760900	SUPPORT	1			546215			
174	80601110300	RING,RITAINING	2		S30	546215			
175	34440980850	SPACER	4		L=3	546215			
176	37001102980	ROLLER ASSY	2			546215			
181	34443760700	SUPPORT	1			546215			
191	80801003020	BEARING,PLAIN	4			546215			

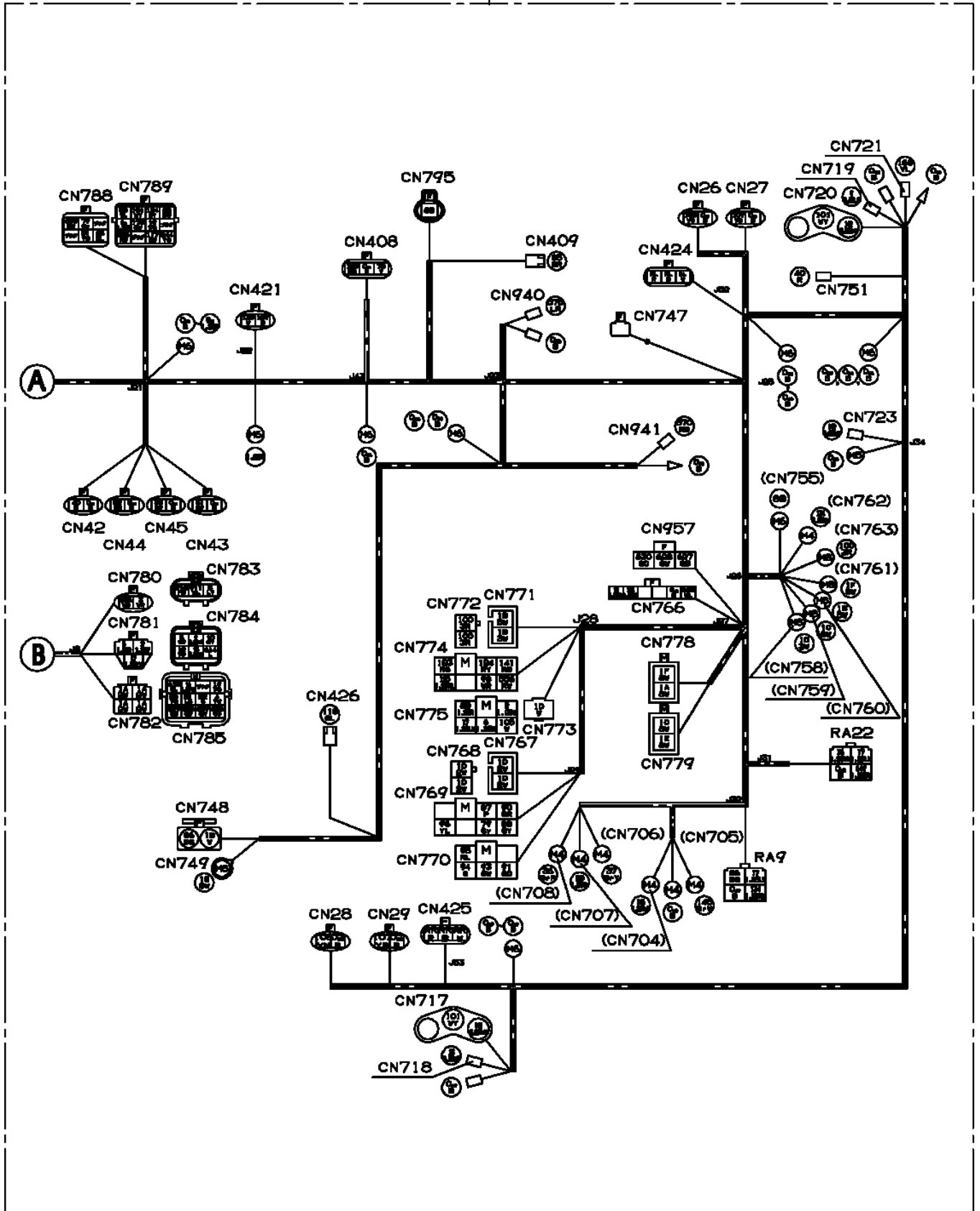
GR-600-1-00213 5 BOOM + 2 JIB,2M2D

Pos No.	Parts No	Parts Name	Qty	Unit	Technical Data	Serial No (Start)	Serial No (End)	Re
1	34372351300	SUPPORT	1					
2	32370002110	GASKET	1					
3	32370002121	COVER	1					
4	80172303025	SCREW,MACHINE	2		M3X25			
5	90302040301	WASHER,SPRING	2		3			
6	82104102010	SWITCH,LIMIT	1					
7	34372351200	ROD	1					
8	14148373001	SPRING	1					
9	80601110180	RING,RITAINING	1		S18			
10	34371314400	SUPPORT	1					
11	90303070301	WASHER,PLAIN	2		3			
12	82114101020	CONNECTOR (2P,MALE)	1					
13	82111101010	TERMINAL	2					
14	32370005200	CORD	1					
15	32370005210	CORD	1					
16	82100000592	TERMINAL (M40.3 TO 1.25)	2					
17	89630201000	HOSE,VINYL	1		6X8,1M			
18	14148375000	GROMMET	1					
19	90101208045	BOLT	2		M8X45			
20	90302040801	WASHER,SPRING	2		8			
21	82121102020	HOLDER	1					
22	82100001220	INSULATOR	2					
23	82121101085	PLUG (AVS0.85)	2					
24	82400000201	GROMMET	1		KG-016			
30	34372359510	ROD ASSY	1					
42	32370002150	SPACER	1		L=12 TO 11			
43	80720103014	PIN,SPRING	1		3X14			
100	34372351101	SWITCH,OVER WIND DETECTOR	1					

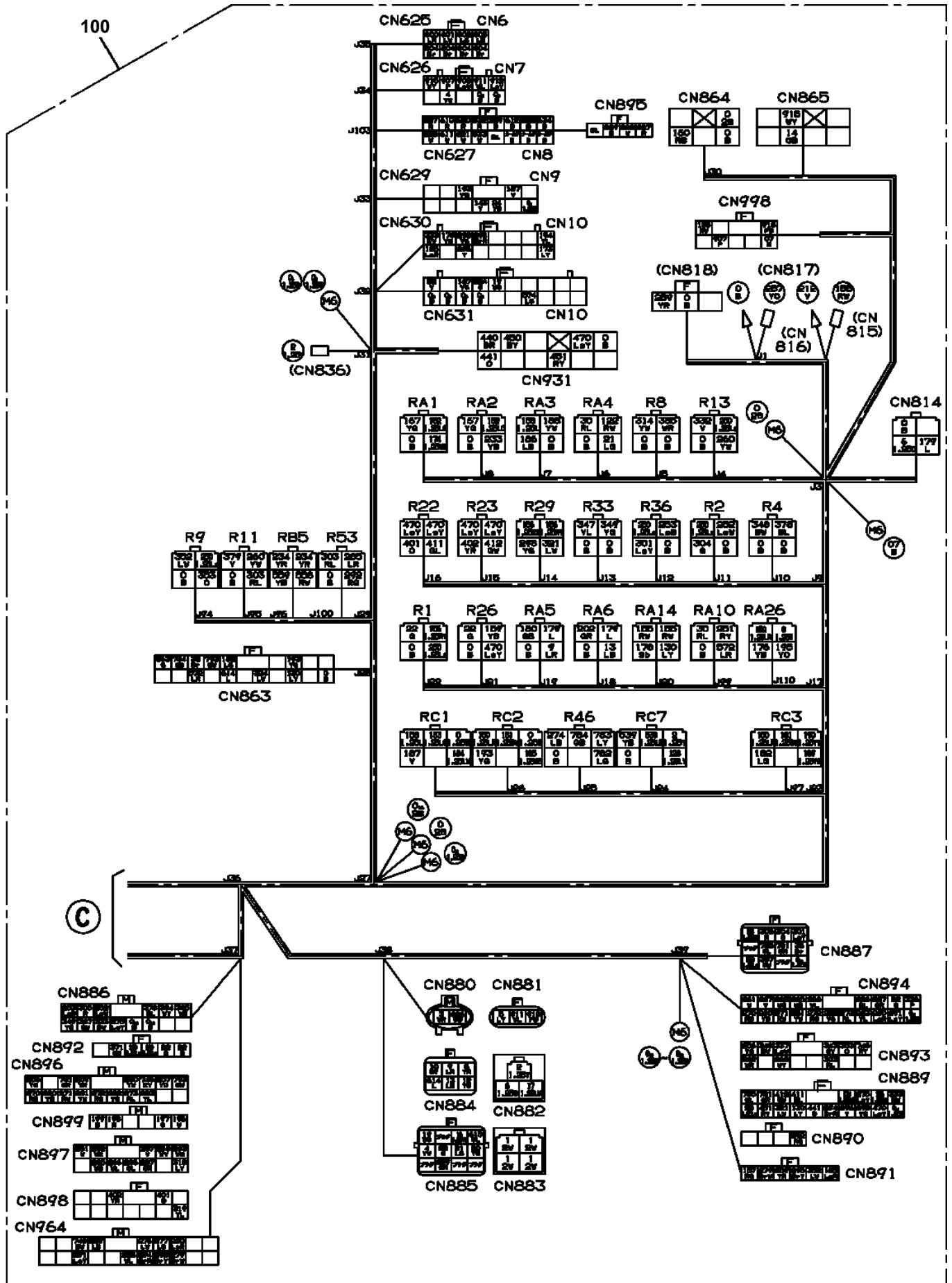
GR-600-1-00213 5 BOOM + 2 JIB,2M2D

Pos No.	Parts No	Parts Name	Qty	Unit	Technical Data	Serial No (Start)	Serial No (
1	36119671500	BOARD ASSY (ANALOGUE)	1				
2	36119671200	BOARD ASSY (CONNECTOR)	1				
3	36190061300	BOARD ASSY (DISPLAY)	1				
4	36119671100	BOARD ASSY (POWER)	1				
5	36119671600	BOARD ASSY (OUT PUT)	1				
6	36119671401	BOARD	1				
8	36119675010	COVER (BUTTON)	1				
9	(*****)	P-ROM	1				
10	36119675020	ESCUTCHEON	1				
11	36190475010	PANEL	1				
21	36190061000	MOMENT LIMITER (L2C/WITHOUT P-ROM)	1				
31	36119675040	FUSE	5		250V 2A		
32	36119675050	FUSE	5		250V 3A		
50	36193390000	MOMENT LIMITER (AML-L2C)	1				

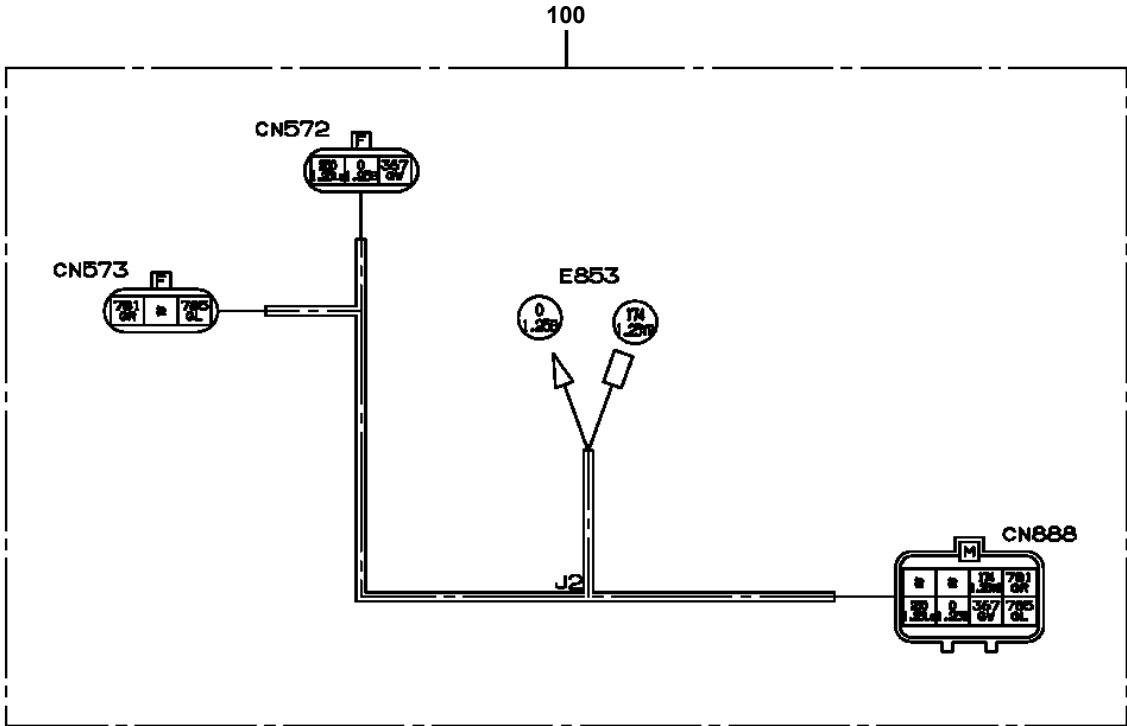
GR-600-1-00213 5 BOOM + 2 JIB,2M2D
PH5032313-00 HARNESS



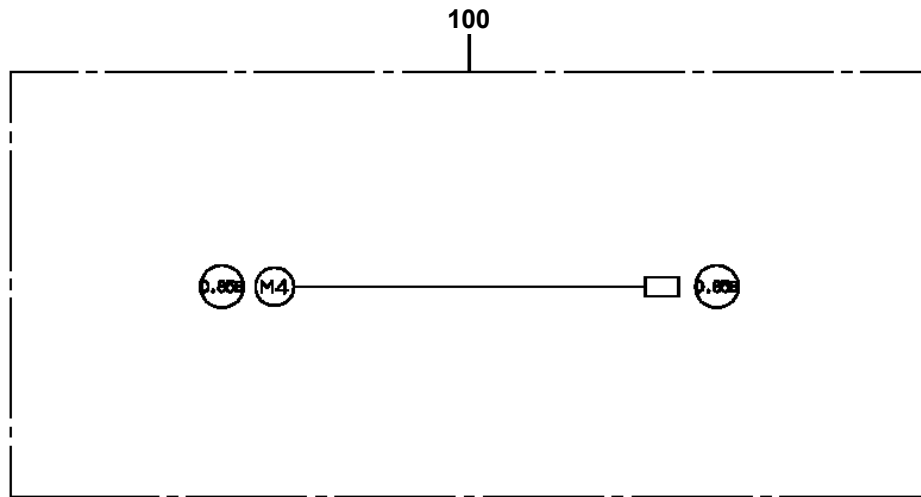
GR-600-1-00213 5 BOOM + 2 JIB,2M2D
 PH5033644-00 HARNESS (INNER CAB)



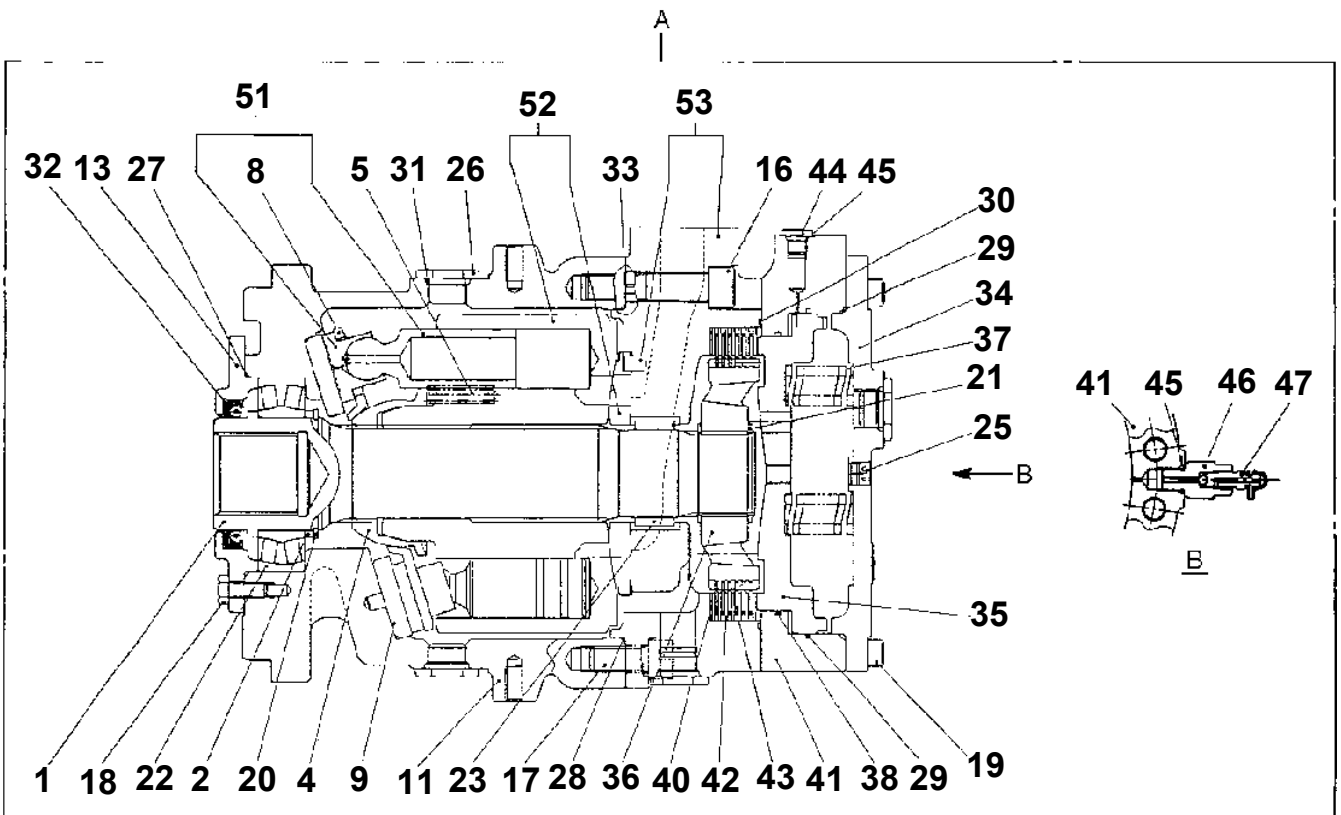
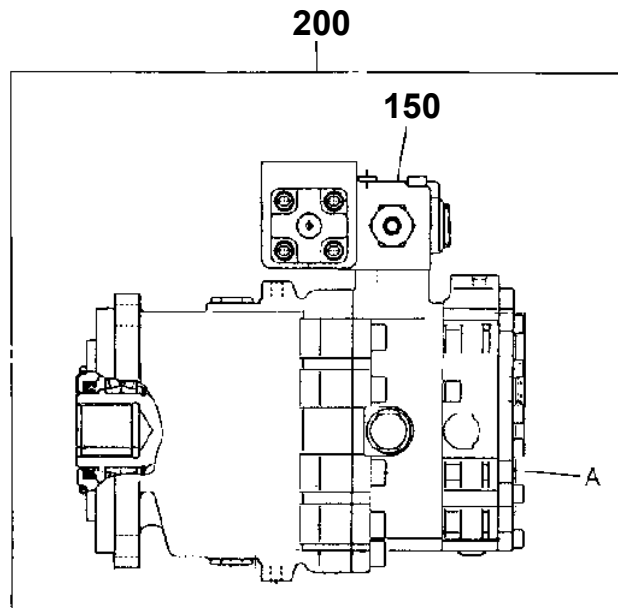
GR-600-1-00213 5 BOOM + 2 JIB,2M2D
PH5033655-00 HARNESS (BOOM, TOP)



GR-600-1-00213 5 BOOM + 2 JIB,2M2D
PH5034207-00 HARNESS



GR-600-1-00213 5 BOOM + 2 JIB,2M2D
 PI1010187-00 MOTOR,HYDRAULIC



GR-600-1-00213 5 BOOM + 2 JIB,2M2D

Pos No.	Parts No	Parts Name	Qty	Unit	Technical Data	Serial No (Start)	Serial No (End)	Remarks
5	36640175040	SPACER	4					
6	36641687560	SPRING (C)	2					
19	36646375030	SCREW	2					
21	91000501200	O-RING	4					
25	90131905045	BOLT,HEXAGON SOCKET	4		M5X45			
26	36641687570	ROD	2					
53	36641687520	RETAINER (A)	2					
54	36641687530	RETAINER (B)	2					
55	36646375050	COIL,SOLENOID	2					
57	36642915020	NUT	2					
59	36641687580	GUIDE (SOLENOID)	2					
64	91001102000	O-RING	2		1A P20			
65	91002801800	O-RING	2		1B P18			
66	91001002500	O-RING	2		S25			
100	36645730000	VALVE,SOLENOID (NACHI)	1					

GR-600-1-00213 5 BOOM + 2 JIB,2M2D

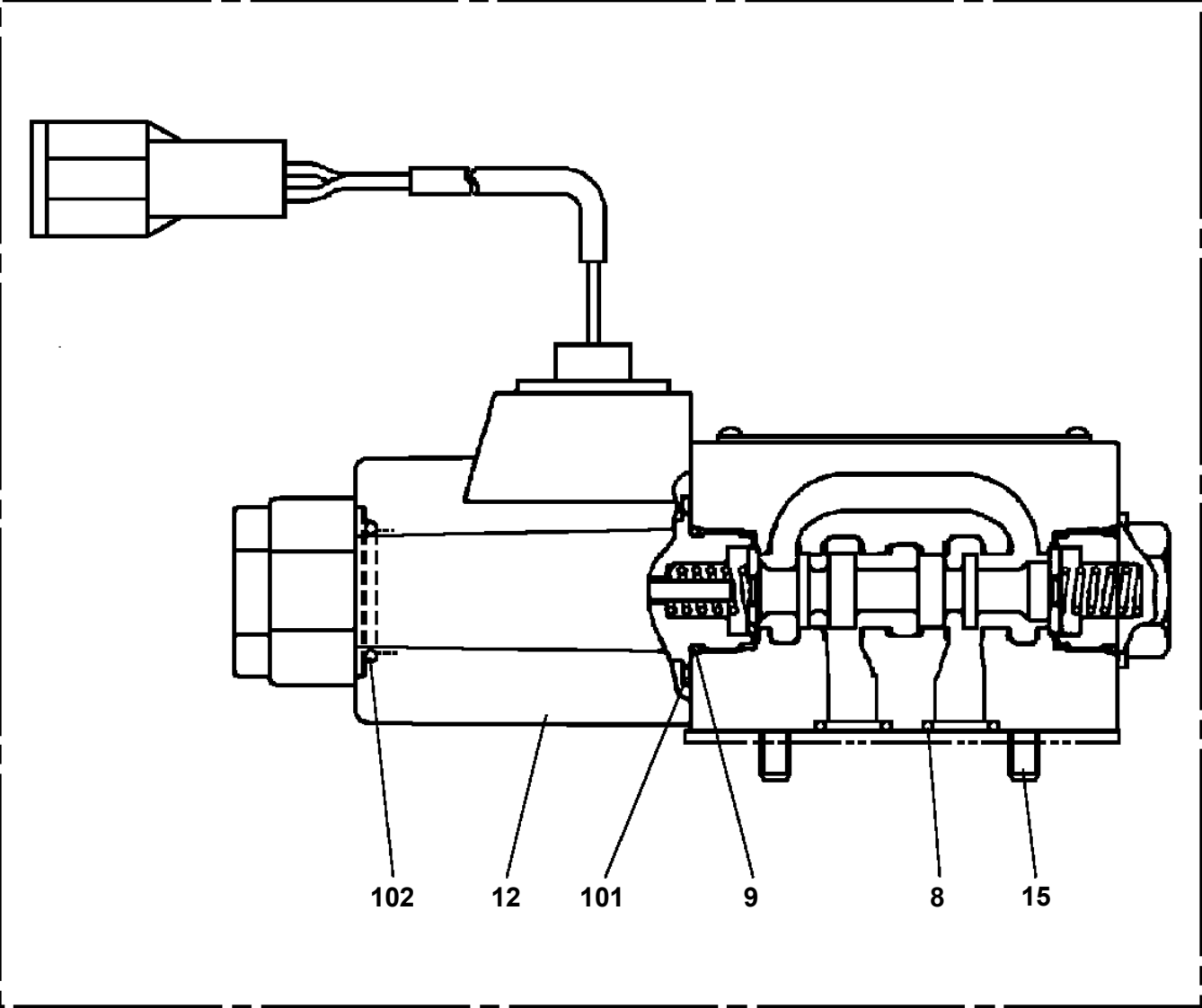
Pos No.	Parts No	Parts Name	Qty	Unit	Technical Data	Serial No (Start)	Serial No (End)	Rema
2	90131905045	BOLT,HEXAGON SOCKET	4		M5X45			
11	36741765010	NUT	2					
12	36741765020	O-RING	2					
13	36646545040	CORE ASSY (SOLENOID)	2				549736	
	36741765030	CORE ASSY (SOLENOID)	2			549737		
18	91000501200	O-RING	4					
20	36642765060	WASHER (CENTER)	2					
21	36646545020	SPRING	2					
22	36643435040	PIN,SPRING	4					
26	36642765050	O-RING	2					
34	36741765040	COIL,SOLENOID	2					
35	36648475110	O-RING	2					
50	36647900000	VALVE,SOLENOID (TOKIMEC)	1					

GR-600-1-00213 5 BOOM + 2 JIB,2M2D

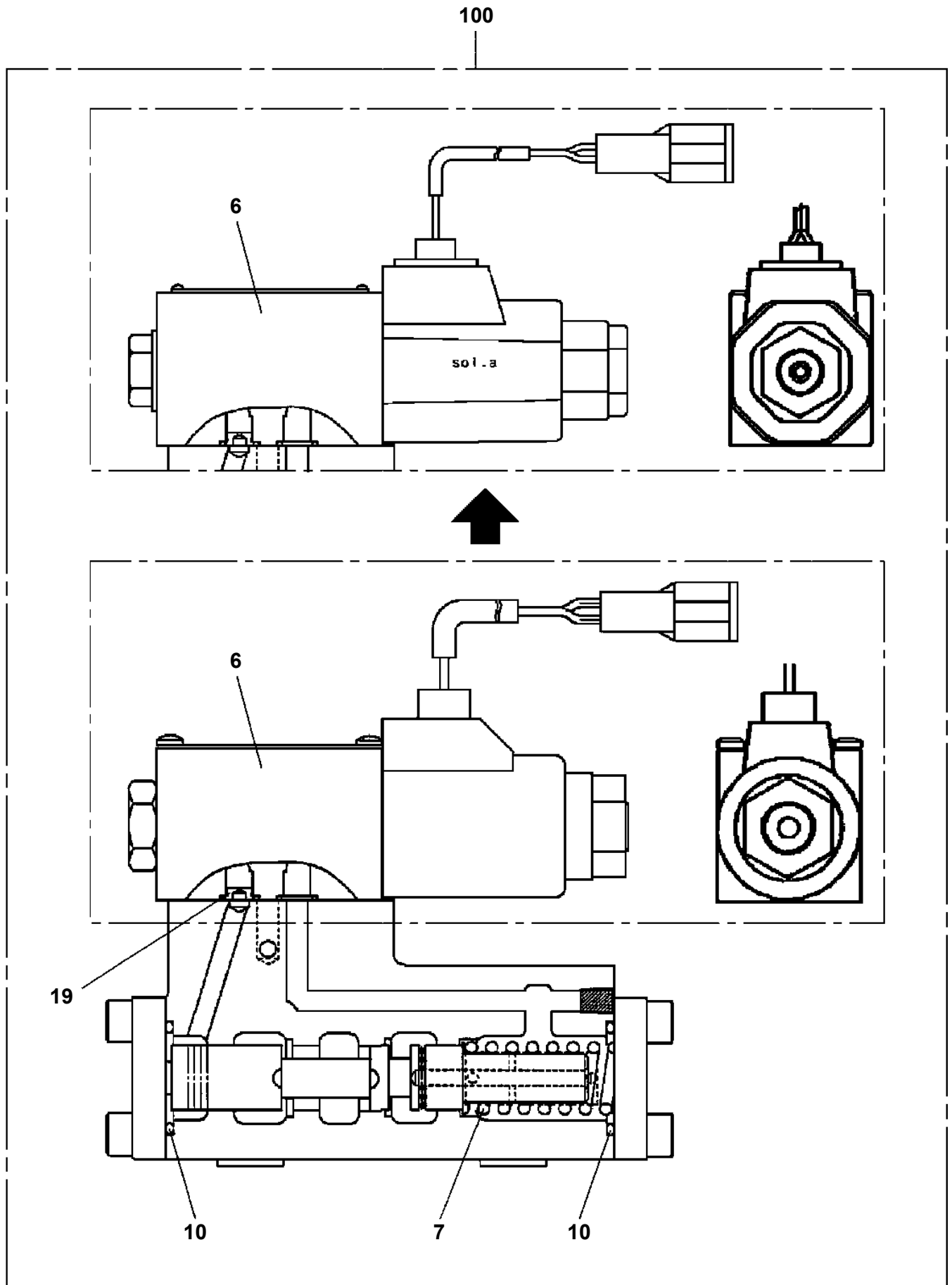
Pos No.	Parts No	Parts Name	Qty	Unit	Technical Data	Serial No (Start)	Serial No (End)	Remarks
1	36740105010	CASING	1					
2	36730165010	BOLT,HEXAGON SOCKET	4					
3	36740095020	SOLENOID ASSY	2					
25	91000501300	O-RING	2		AS568-013			
26	91000501400	O-RING	2		014 1115-70			
27	91000501500	O-RING	2		AS568-015			
29	36730165030	NUT	2					
30	36646605110	O-RING	2					
50	36740100000	VALVE,SOLENOID	1					

GR-600-1-00213 5 BOOM + 2 JIB,2M2D
PI1120345-00 VALVE,SOLENOID

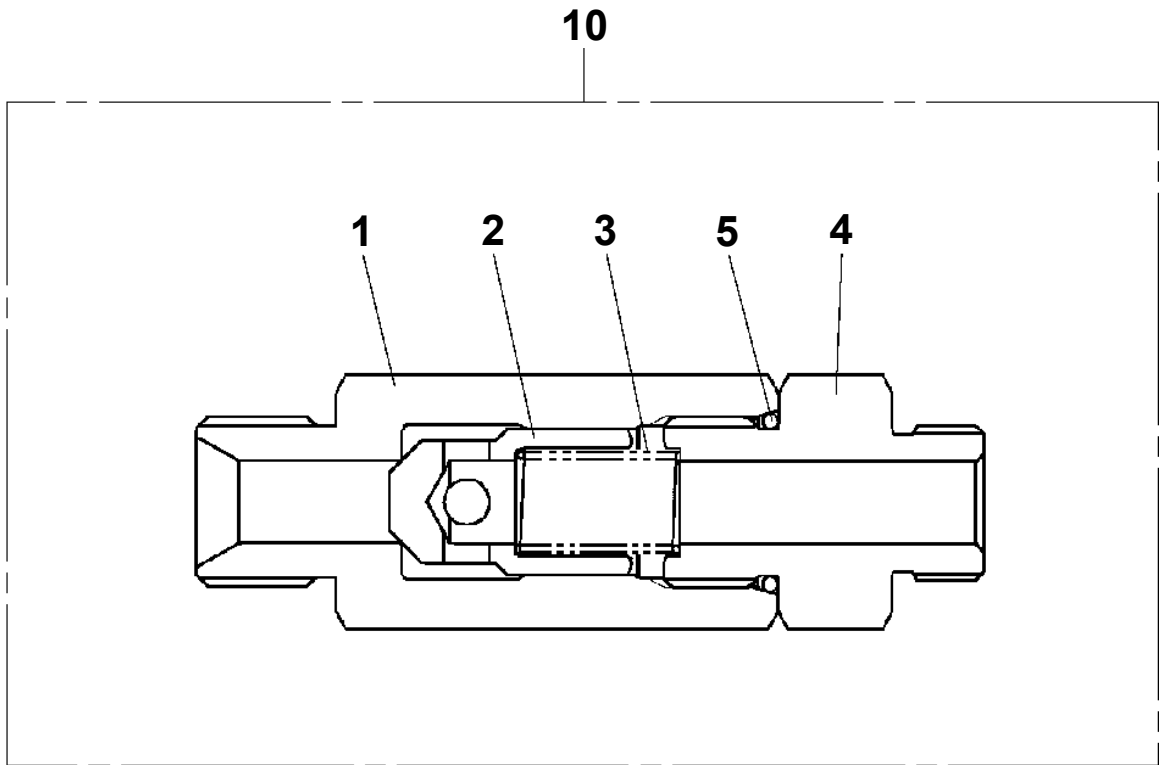
200



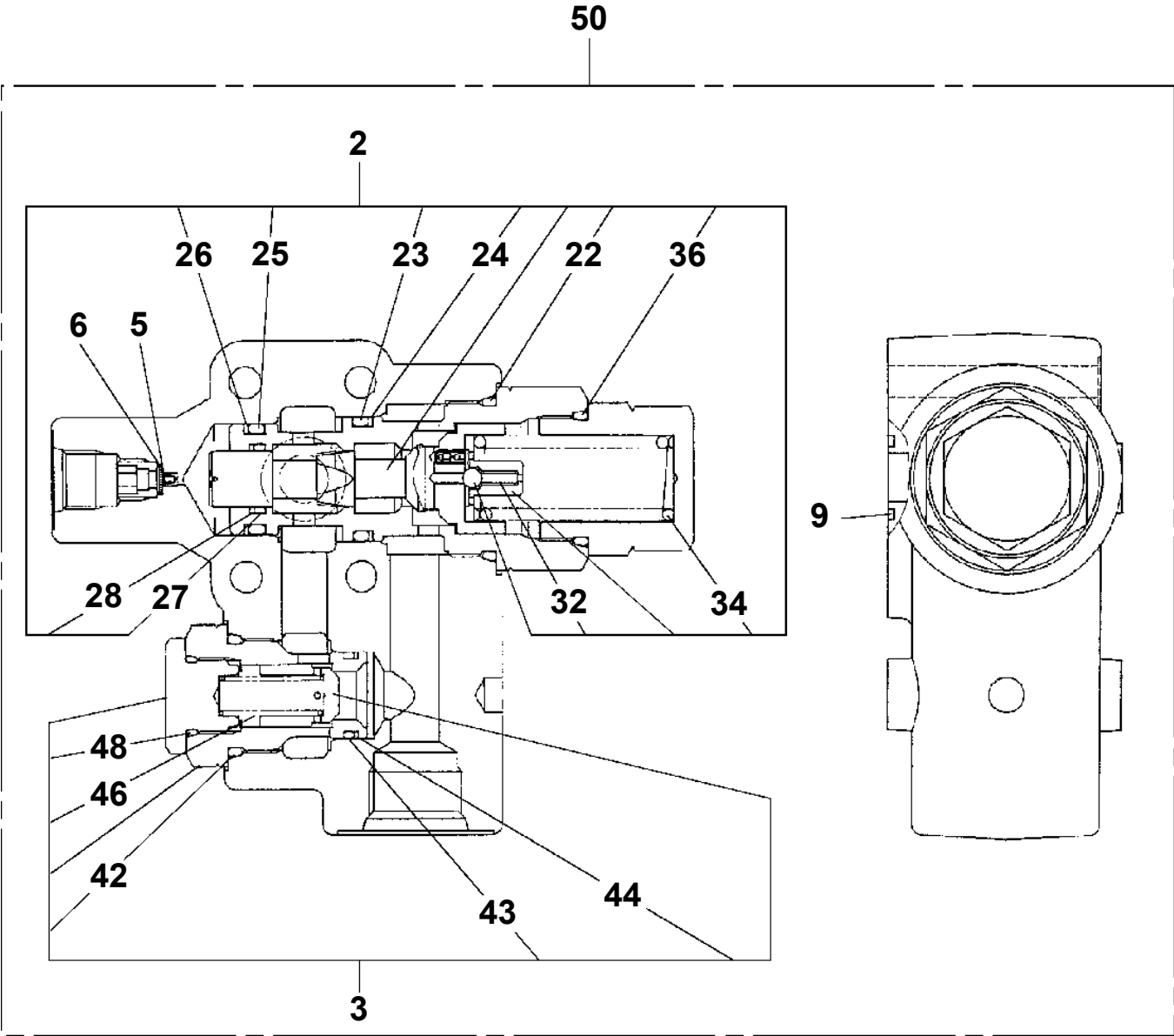
GR-600-1-00213 5 BOOM + 2 JIB,2M2D
PI1130044-02 VALVE, HYDRAULIC



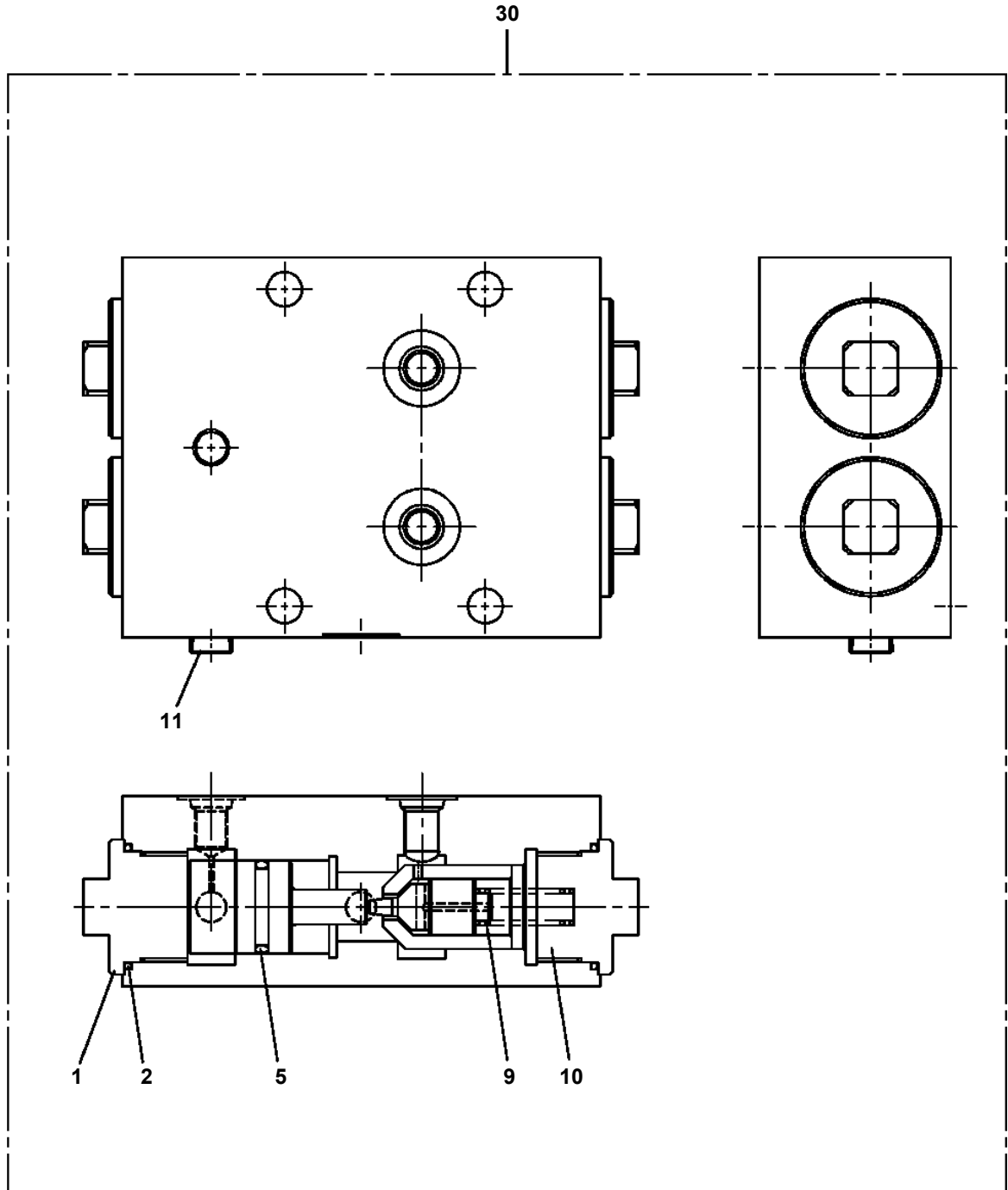
GR-600-1-00213 5 BOOM + 2 JIB,2M2D
PI1140156-00 VALVE,CHECK



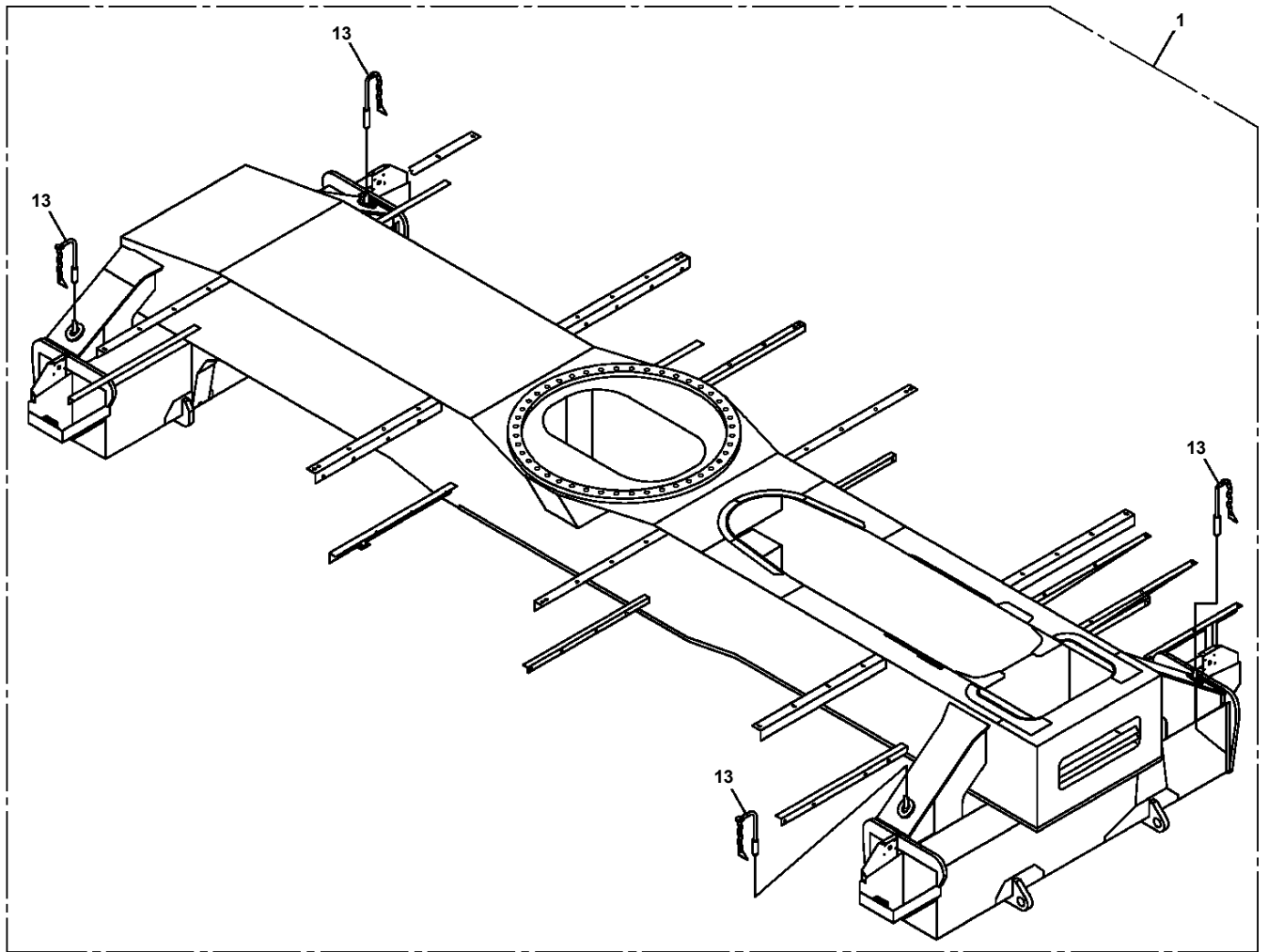
GR-600-1-00213 5 BOOM + 2 JIB,2M2D
PI1250115-01 VALVE,COUNTERBALANCE



GR-600-1-00213 5 BOOM + 2 JIB,2M2D
PI1280065-00 VALVE,PILOT CHECK



GR-600-1-00213 5 BOOM + 2 JIB,2M2D
PK1011204-01 FRAME



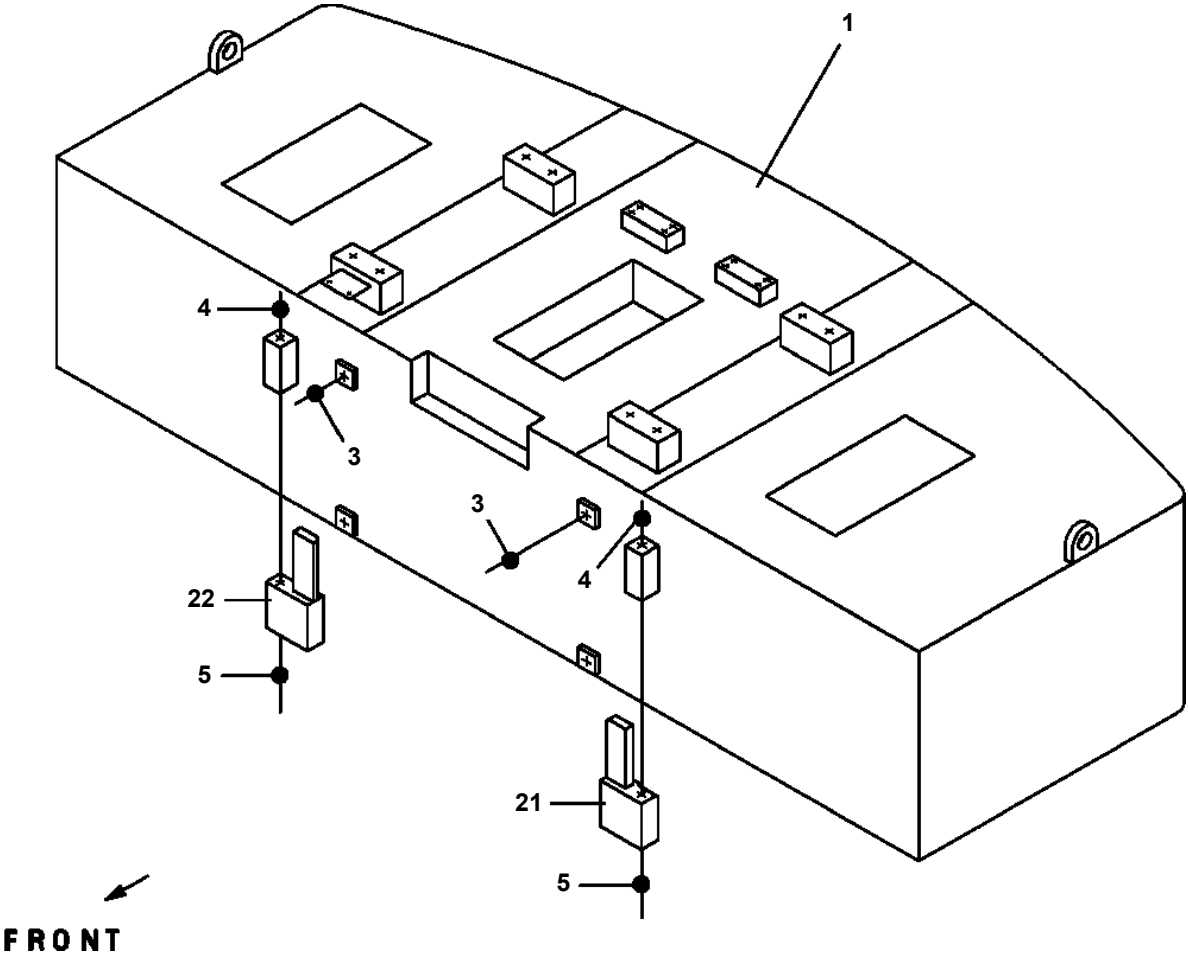
GR-600-1-00213 5 BOOM + 2 JIB,2M2D

Pos No.	Parts No	Parts Name	Qty	Unit	Technical Data	Serial No (Start)	Serial No (End)
1	90186210020	BOLT,FLANGE	12		M10X20		
2	34250882400	SUPPORT	1				
3	80192486014	SCREW,MACHINE (WITH WASHER)	1		M6X14		
4	34250380200	SUPPORT	1				
5	90201200400	NUT	10		M4		
6	80192484016	SCREW,MACHINE	10		M4X16		
7	34250961100	COVER	2				
8	99172108016	BOLT,TAPPING	15		M8X16		
9	34251281000	COVER	3				
10	82100000956	GROMMET	2		SG-36A		
11	34251281100	COVER	2				
12	34251281200	COVER	1				
13	80176405012	SCREW,MACHINE	16		M5X12		
14	90305260501	WASHER	19		B1-5		
15	34251200500	LEVEL GAUGE	1				
16	80186406016	SCREW,MACHINE	37		M6X16		
17	90305260601	WASHER	37		B1-6		
18	90186208020	BOLT,FLANGE	1		M8X20		
19	82100000951	GROMMET	5				
21	82100000920	GROMMET	3				
22	82121800010	PLUG (OTUKA)	3				
23	34251331100	PANEL	1				
24	(*****)	BELT,SEAT (MOUNT)	1				
25	34251280100	SEAT,OPERATOR	1				
26	34251590200	SUPPORT	1				
27	34251280300	COVER	1				
28	34251280400	COVER	1				
29	34251480300	SUPPORT	1				
30	34251281600	COVER	1				
31	34251280600	COVER	1				
32	34251280700	COVER	1				
34	34251280900	COVER	1				
35	34251281500	PANEL	1				
36	82400000468	TRAY,ASH	1				
37	80176405025	SCREW,MACHINE	3		M5X25		
38	37001200180	SPRING	3				
39	80192484012	SCREW,MACHINE (WITH WASHER)	1		M4X12		
40	80192485014	SCREW,MACHINE (WITH WASHER)	2		M5X14		
41	34251480500	COVER	1				
45	34251330900	COVER	1				
46	34251330800	COVER	1				
47	80176404012	SCREW,MACHINE	2		M4X12		
48	90305270401	WASHER	2				
49	34251480200	COVER	1				
50	90280201000	NUT,FLANGE	4		M10		
51	34251221700	COVER	1				
74	34251331150	PLATE,NAME (REMOVED/EQUIPPED)	1				
75	34251331160	PLATE,NAME (ON/OFF)	1				
111	34251280750	PLATE,NAME	1				
112	34251280760	PLATE,NAME	1				
113	34251480160	PLATE,NAME	1				
114	34251280780	PLATE,NAME	1				
115	34251590310	PLATE,NAME	1				

GR-600-1-00213 5 BOOM + 2 JIB,2M2D

Pos No.	Parts No	Parts Name	Qty	Unit	Technical Data	Serial No (Start)	Serial
60	34260957620	COVER (LOCK)	1				
61	80192484012	SCREW,MACHINE (WITH WASHER)	2		M4X12		
62	34260957630	COVER (JUNCTION)	1				
63	80192486012	SCREW,MACHINE	2		M6X12		
64	34260957640	HOLDER (FRONT-ROOF/GLASS)	2				
65	99164008020	BOLT (M8X20)	8				
66	34260957650	HOOK ASSY	1				
67	34260657580	BOLT,HEXAGON SOCKET(WITH WASHER)	2		M8X16		
68	34260367810	STRIKER	1				
69	34260367820	SHIM	1				
70	34260957785	LINER	1				
71	34260957786	LINER	1				
72	80185308035	SCREW,MACHINE	2		M8X35		
73	90302040801	WASHER,SPRING	2		8		
74	90304110801	WASHER,TOOTH	2		8		
75	90201200800	NUT	2		M8		
76	34260957670	COVER (WEATHER STRIP)	1				
77	80192486016	SCREW,MACHINE	2		M6X16		
78	34260957680	TRIM	1				
79	34260957813	CLIP	6				
80	34260957690	COVER	1				
81	80192484012	SCREW,MACHINE (WITH WASHER)	3		M4X12		
82	34260957700	COVER	2				
83	90915040125	SCREW,TAPPING	8		M4X12		
84	34260957710	COVER (WIPER MOTOR)	1				
85	80192486012	SCREW,MACHINE	7		M6X12		
86	34260957720	SUPPORT ASSY	1				
87	99164008020	BOLT (M8X20)	2				
88	34260957791	DOOR ASSY	1				546356
	34260957792	DOOR ASSY	1			546356	
89	34260952330	GLASS (DOOR)	1				
90	34260581400	WEATHER STRIP (DOOR GLASS LAN L=2800)	1				
91	34260952360	WEATHER STRIP (1SET)	1				
92	34260581200	REGULATOR,WINDOW	1				
93	90180106012	BOLT,BUTTON	6		M6X12		
94	90302040601	WASHER,SPRING	6		6		
95	80192486012	SCREW,MACHINE	2		M6X12		
96	34260952300	JUNCTION	1				546356
	34260952301	JUNCTION (DOOR SIDE)	1			546356	
97	34260957800	COVER	1				
98	80192484012	SCREW,MACHINE (WITH WASHER)	10		M4X12		
99	34260957801	ARM ASSY	1				
100	34260657630	BOLT (WITH WASHER))	2		M10X30		
101	34260957802	ARM ASSY (LOWER)	1				
102	34260657600	BOLT (WITH WASHER)	3		M8X25		
103	34260957803	ARM ASSY	1				
104	34260657580	BOLT,HEXAGON SOCKET(WITH WASHER)	2		M8X16		
105	34260367840	REMOTE CONTROL ASSY	1				
106	80185306016	SCREW,MACHINE	2		M6X16		
107	90304120601	WASHER	2		6		
108	34260239810	HANDLE (INNER)	1				
109	80192435016	SCREW,MACHINE	2		M5X16		
110	34260957804	REMOTE ASSY	1				
111	80185306016	SCREW,MACHINE	3		M6X16		
112	90304120601	WASHER	3		6		
113	34260239710	HANDLE (DOOR/OUTER)	1				
114	80192486016	SCREW,MACHINE	2		M6X16		
115	34260957805	LOCK	1				
116	80192436016	SCREW,MACHINE	3		M6X16		
117	34260322300	SWITCH ASSY (STARTER & DOOR LOCK CYL.)	1				
118	34260957806	LINK (OUTER HANDLE)	1				
119	34260957807	HANDLE (ROD INNER)	1				
120	34260957808	ROD (REMOTE)	1				

GR-600-1-00213 5 BOOM + 2 JIB,2M2D
PK1220202-00 WEIGHT, COUNTERBALANCE



CLICK HERE TO **DOWNLOAD** THE COMPLETE MANUAL

- Thank you very much for reading the preview of the manual.
- You can download the complete manual from: www.heydownloads.com by clicking the link below



- Please note: If there is no response to CLICKING the link, please download this PDF first and then click on it.

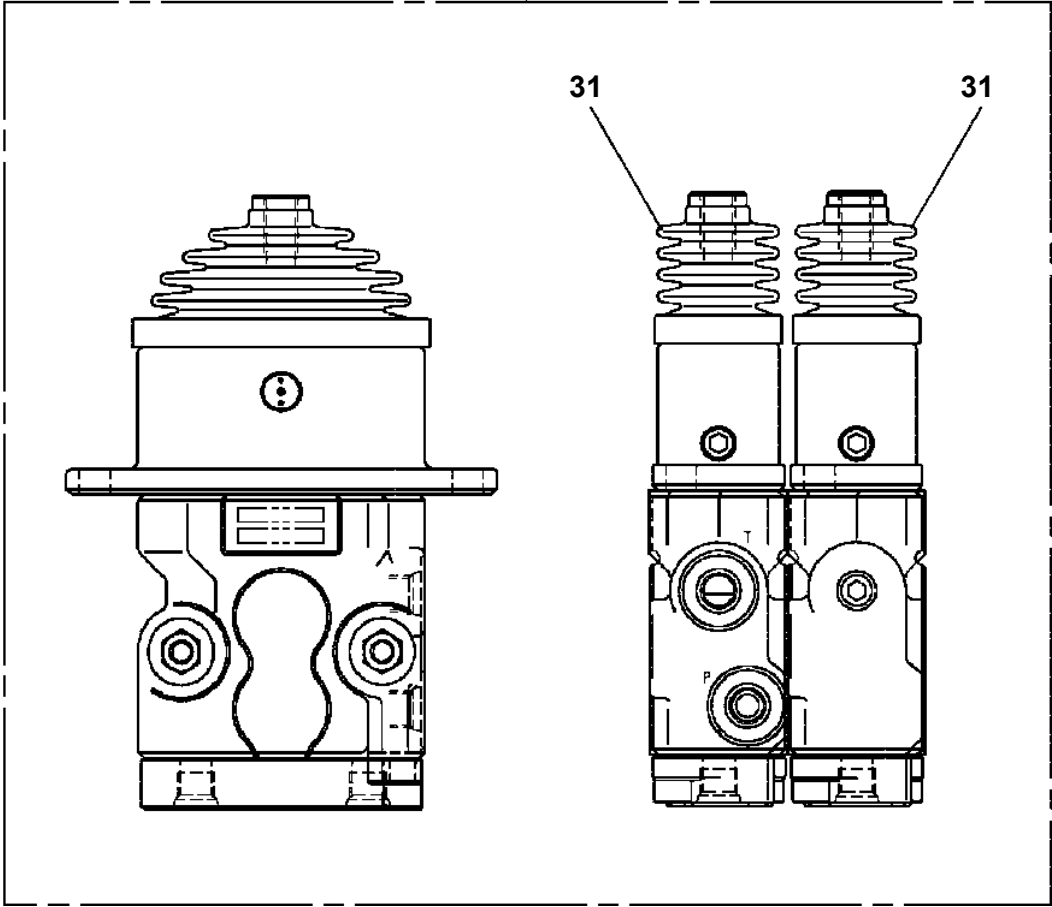
CLICK HERE TO **DOWNLOAD** THE COMPLETE MANUAL

GR-600-1-00213 5 BOOM + 2 JIB,2M2D

Pos No.	Parts No	Parts Name	Qty	Unit	Technical Data	Serial No (Start)	Serial No (End)	Ren
89	80136320016	PIN,SPLIT	2		2X16			
101	91002801100	O-RING	19		1B P11			
111	37000132540	PIN	2		20			
112	90101208012	BOLT	2		M8X12			
114	34321966100	COVER	2					
116	34321966300	SUPPORT	2					
117	34321966400	BOOT	2					
121	34322231100	BOX,OPERATION (TILT DEVICE)	1					
122	34320901200	COVER	2					
123	34320901300	SUPPORT	2					
124	34320901401	SHAFT	4					
125	82104501120	SWITCH,LIMIT	1					
126	80176404012	SCREW,MACHINE	8		M4X12			
127	90305260401	WASHER	8		4			
128	90280200800	NUT,FLANGE	2		M8			
130	90186208020	BOLT,FLANGE	9		M8X20			
131	37002450710	HOSE	1		L=800			
132	37002472000	HOSE	1		L=730			
133	80400160127	JOINT	10					
135	37002443710	HOSE	1		L=2200			
136	37002451480	HOSE	1		L=2600			
137	90186206010	BOLT,FLANGE	2		M6X10			
138	82114101020	CONNECTOR (2P,MALE)	2					
139	82100002008	CLAMP	1		WR12			
140	82100002737	CABLE	2	M			547298	
	821441921070	CABLE	2	M		547299		
141	90203501200	NUT	8		M12			
142	36634920000	VALVE,CONTROL	2					
143	36672460000	FILTER (NIPPLE TYPE)	2					
144	37002510460	HOSE	2		L=15			
145	34320904200	KNOB (RED)	1				547164	
	34320904201	KNOB (RED)	1			547165		
146	82100001033	SWITCH,PUSH	2				547164	
	82101700412	SWITCH,PUSH	2			547165		
147	82111101010	TERMINAL	4					
148	82121102020	HOLDER	2					
149	82121101030	PLUG	4					
150	37002472020	HOSE	1		L=2030			
151	37002465820	HOSE	1		L=2050			
152	34320903800	CAP	2					
153	34322471100	KNOB	1					
154	34321691110	SOLENOID	2					
155	34322471200	KNOB	1				547164	
	34322471201	KNOB	1			547165		
156	90303071201	WASHER,PLAIN	1		12			
157	82100000192	TERMINAL	2					
158	82100000182	INSULATOR	2					
159	82100000191	TERMINAL	2					
160	82100000183	INSULATOR	2					
161	91810130230	FASTENER	1			546190		
171	34322238010	KNOB ASSY	1					
172	34322478010	KNOB ASSY	1					
181	34322235600	SUPPORT	1					
182	37000118050	PIN	1					
183	90186208010	BOLT,FLANGE	1		M8X10			
184	34321961200	LEVER	2					
185	37000515600	PLATE	2		T=1.0		548450	
	37000515600	PLATE	3		T=1.0	548451		
191	34322232100	BOX,OPERATION (TILT DEVICE)	1					
201	37002450510	HOSE	2		L=1250			
202	37002472030	HOSE	1		L=2460			
205	37002444970	HOSE	1		L=2275			
206	37002473200	HOSE	1		L=2240			

GR-600-1-00213 5 BOOM + 2 JIB,2M2D
PL1250001-03 VALVE,CONTROL

50



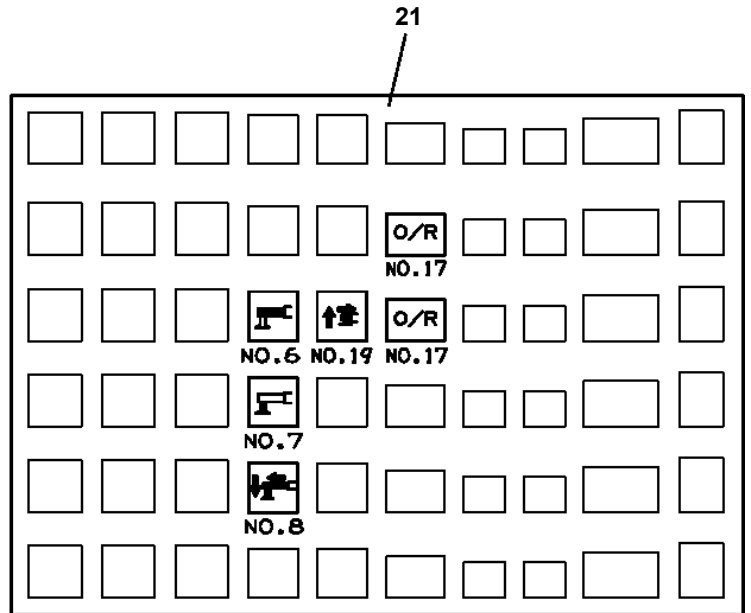
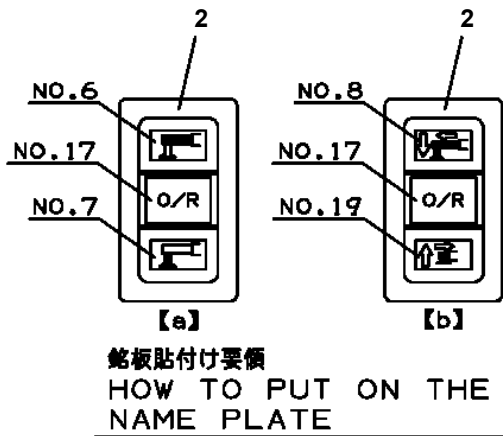
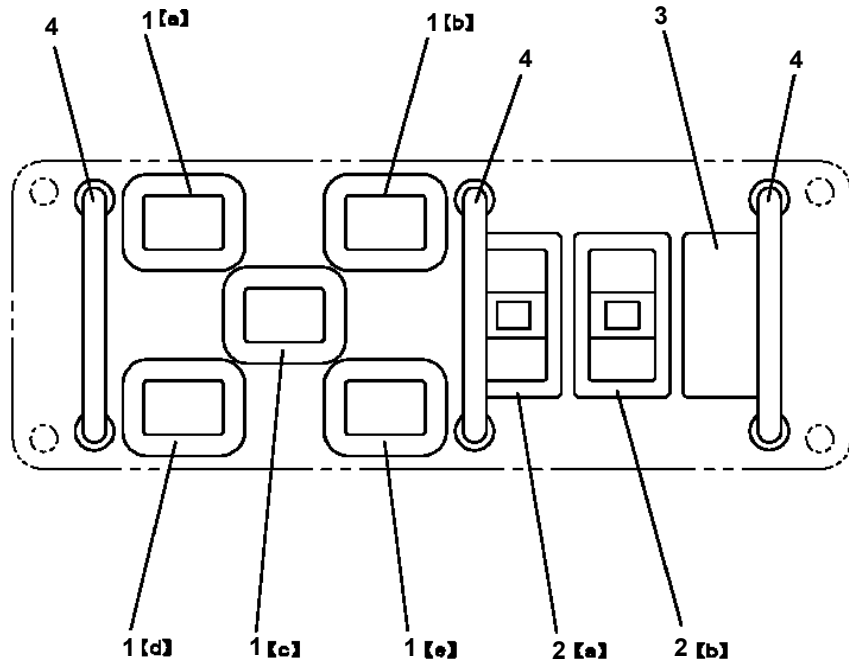
GR-600-1-00213 5 BOOM + 2 JIB,2M2D

Pos No.	Parts No	Parts Name	Qty	Unit	Technical Data	Serial No (Start)	Serial No
1	34353621010	HARNESS (INNER CAB)	1				
2	(*****)	SWITCH PANEL	1				
3	(*****)	SWITCH PANEL (CAB/OUTRIGGER SWITCH)	1				
4	(*****)	SWITCH PANEL	1				
8	(*****)	RELAY ASSY	1				
11	82100002311	RELAY (FLASHER UNIT)	1				
12	82183901010	CONDENSER	4				
16	34351490300	BUZZER ASSY (WITH HARNESS)	1				
17	34352181600	BUZZER ASSY	1				
18	80175304010	SCREW,MACHINE	2		M4X10		
19	80192484010	SCREW,MACHINE	4		M4X10		
22	90280200600	NUT,FLANGE	10		M6		
23	99172106016	BOLT,TAPPING	16		M6X16		
24	42433932200	SWITCH ASSY (WITH HARNESS,1 SW)	1				
25	82100002019	CLAMP	1		WR40		
26	82100002017	CLAMP	5		WR30		
27	82100002016	CLAMP	8		WR25		
28	82100002014	CLAMP	1		WR20		
30	82100002006	CLAMP	1		WR10		
32	34350850530	BUZZER ASSY (WITH HARNESS)	1				
33	34351501100	CONVERTER (DC-DC)	1				
34	80172304020	SCREW,MACHINE	6		M4X20		
35	90302040401	WASHER,SPRING	6		4		
36	90303100401	WASHER,PLAIN	6		4		
37	34353621600	CONTROLLER	1				

GR-600-1-00213 5 BOOM + 2 JIB,2M2D

Pos No.	Parts No	Parts Name	Qty	Unit	Technical Data	Serial No (Start)	Serial
129	34930097680	BULB,LAMP	2		24V 21W		
130	34930097690	BULB,LAMP	2		24V 3W		
131	34930097800	REFLECTOR (REAR SIDE)	2				
141	34960117510	KEY (FOR SENSOR)	1				
151	34930682201	COVER	1				
152	34931002300	RELAY ASSY	1				
153	34931002400	PLATE	1				
154	34930662501	COVER	1				
155	80192486012	SCREW,MACHINE	13		M6X12		
156	90186208014	BOLT,FLANGE	11		M8X14		
157	90280200800	NUT,FLANGE	1		M8		
158	37000600120	CLAMP	1		WR45		
159	82100002002	CLAMP	1		WR6		
171	36361322200	CONTROL UNIT	1				
196	59081111020	LAMP,HEAD (WITH BULB)	2		24V 50W		
197	59081111030	LAMP ASSY(WITH BULB)	2		24V 55/50W		
207	34931003100	SUPPORT	1				
221	34930707530	LENS	1				
231	34930707520	LENS	1				
244	82400000201	GROMMET	1		KG-016		
251	59081111040	BULB,LAMP (24V 55/50W>	4				
261	82166300210	BULB,LAMP (KOITO)	3		24V 21W		

**GR-600-1-00213 5 BOOM + 2 JIB,2M2D
PN1060125-01 SWITCH PANEL (CAB/OUTRIGGER SWITCH)**



1 [a]	O/R LEFT FRONT SW
1 [b]	O/R RIGHT FRONT SW
1 [c]	O/R OPERATION SW
1 [d]	O/R LEFT REAR SW
1 [e]	O/R RIGHT REAR SW
2 [a]	O/R JACK/SLIDE SELECT SW
2 [b]	O/R EXT./RET.SELECT SW
3	CAP

GR-600-1-00213 5 BOOM + 2 JIB,2M2D

Pos No.	Parts No	Parts Name	Qty	Unit	Technical Data	Serial No (Start)	Serial No (End)
1	34353022110	COVER	1				
2	34353022200	SUPPORT	1				
3	42433932100	SWITCH ASSY (WITH HARNESS,1 SW)	2				
4	80182406010	SCREW,MACHINE	4		M6X10		
5	90302350601	WASHER,SPRING (6)	4				
6	90303360601	WASHER,PLAIN	4		6		
7	82197518119	CAP (PLUS ONE MFG./BLACK)	2				
	82197518114	CAP (MATSUSHITA/BLACK)	2				
8	44320491020	LAMP ASSY (GREEN)	1				
100	34353622100	SWITCH PANEL	1				

GR-600-1-00213 5 BOOM + 2 JIB,2M2D

Pos No.	Parts No	Parts Name	Qty	Unit	Technical Data	Serial No (Start)	Serial No (End)	Remarks
1	34930941310	SUPPORT	1					
3	80192486012	SCREW,MACHINE	6		M6X12			
4	90302040601	WASHER,SPRING	2		6			
5	90303070601	WASHER,PLAIN	2		6			
6	80182306012	SCREW,MACHINE	2		M6X12			
7	34930346200	BOX ASSY (FUSE)	1					
8	34930661200	BOX ASSY (FUSE)	1					
11	34930400200	RELAY (FOR HEAD LAMP)	1					
12	82100002596	RELAY	2					
15	82100001989	TERMINAL	1					
16	80192483016	SCREW,MACHINE	2		M3X16			
19	34350032400	PLATE	1					
20	82100001404	TERMINAL	4					
21	82100001220	INSULATOR	4					
23	82100001200	DIODE	2					
24	82400000311	GROMMET	10		L=1000			
28	82111207051	TERMINAL (MAIL)	4					
29	82114214061	CONNECTOR (CAP)	1					
51	34351562510	BOX,FUSE	2					
53	82100001837	FUSE	16		5A			
54	82100001839	FUSE	5		10A,RED			
55	82100001840	FUSE	7		15A,BLUE			
100	34931001300	RELAY ASSY	1					

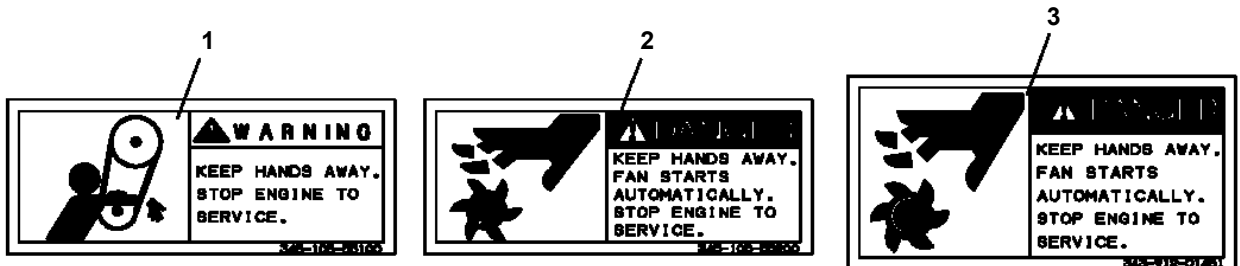
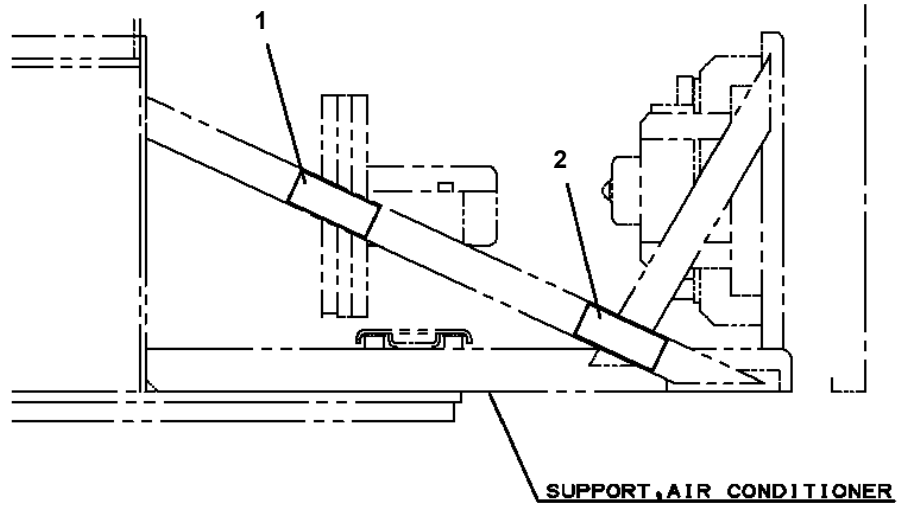
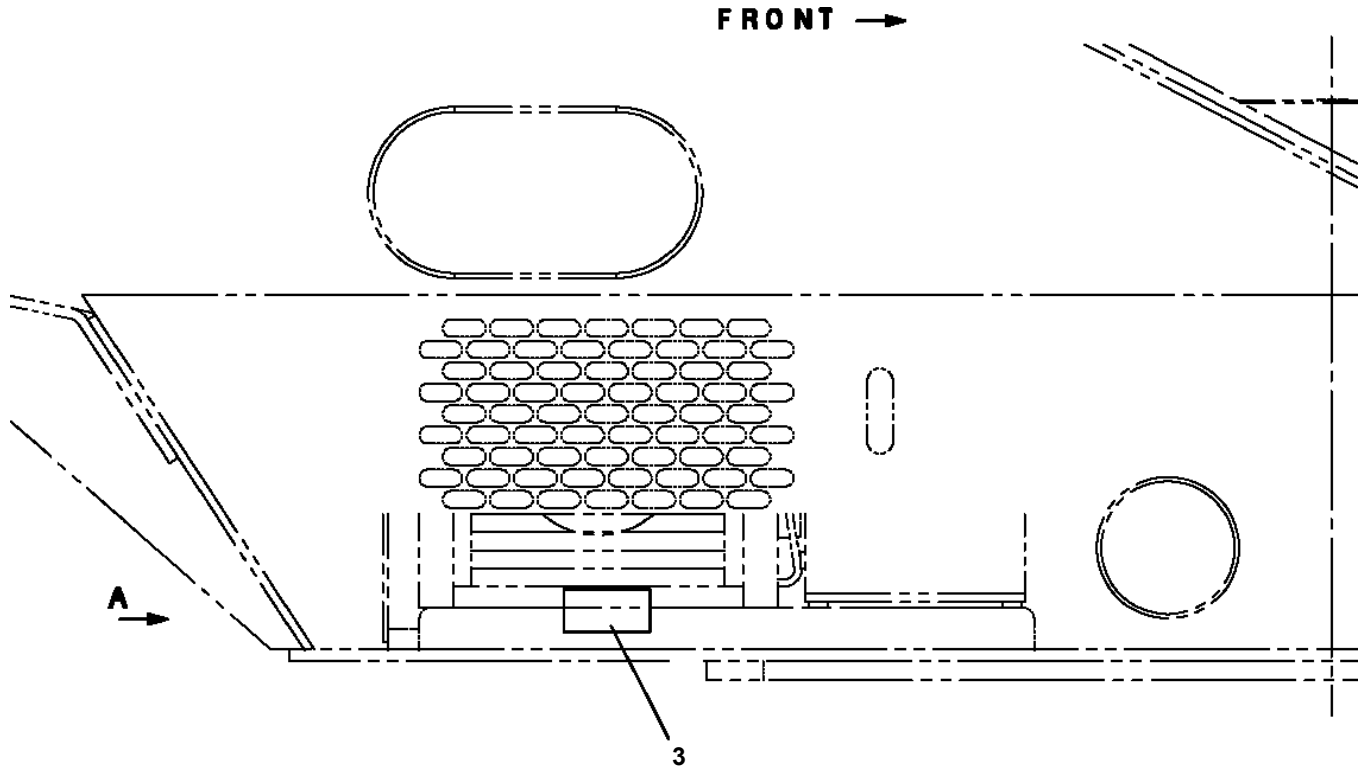
GR-600-1-00213 5 BOOM + 2 JIB,2M2D

Pos No.	Parts No	Parts Name	Qty	Unit	Technical Data	Serial No (Start)	Serial No (End)
1	90102210060	BOLT	2		M10X60		
2	34800151600	SUPPORT	1				
3	34800311100	SUPPORT	1				
4	90280201000	NUT,FLANGE	10		M10		
21	82151213051	BATTERY (PANASONIC,130F51)	2				
	82100000712	BATTERY (YUASA,115F51)	2				546314
	37010000010	BATTERY (HYUNDAI ENERCELL)	2				
	34930096000	BATTERY (YUASA,170F51)	2				
	82100002827	BATTERY (GLOBAL & YUASA,130F51)	2				
	82100001983	BATTERY (YUASA,145F51)	2				

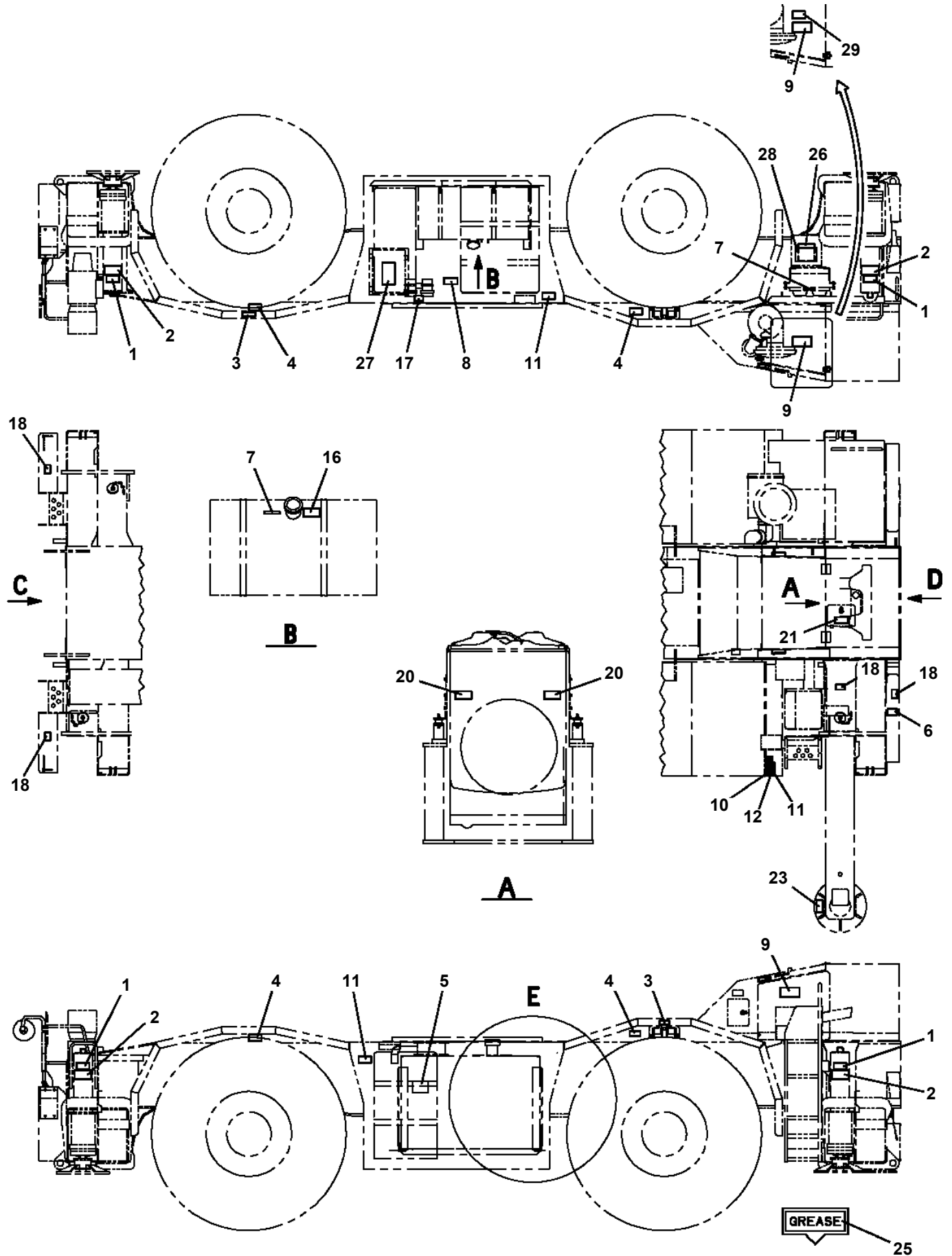
GR-600-1-00213 5 BOOM + 2 JIB,2M2D

Pos No.	Parts No	Parts Name	Qty	Unit	Technical Data	Serial No (Start)	Serial No (End)
1	82100002827	BATTERY (GLOBAL & YUASA,130F51)	1				

GR-600-1-00213 5 BOOM + 2 JIB,2M2D
 PO1012955-02 PLATE ASSY,NAME (FAN,BELT CAUTION)



GR-600-1-00213 5 BOOM + 2 JIB,2M2D
 PO1014644-02 PLATE ASSY,NAME (LOWER)



GR-600-1-00213 5 BOOM + 2 JIB,2M2D
 PO1014881-04 PLATE ASSY,NAME (UPPER/GR-600XL)

25

WARNING

WHEN THE OVERRIDE KEY SWITCH LOCATED OUTSIDE THE CRANE CAB IS ACTIVATED, AND THE P.T.O SWITCH LOCATED IN THE FRONT SIDE OF THE CAB IS IN OVERRIDE, THE SYMBOL LIGHTS UP. ALL SAFETY STOP FUNCTIONS WILL BE DISABLED WITH THIS LIGHT ON. CONTINUOUS SAFE OPERATION IS CONTROLLED ONLY BY THE OPERATOR.

302-904-1900



30

WARNING

DO NOT ATTEMPT TO ENGAGE SWING LOCK WHILE SUPERSTRUCTURE IS IN MOTION. SWING LOCK MUST BE ENGAGED, WITH BOOM POSITIONED FRONTWARD, WHEN DOING PICK AND CARRY, TRAVELING OR TRANSPORTING.



31

CAUTION IN TRAVEL

Always observe the limits of the lift capacity. Do not exceed the rated capacity for the load. Always use proper tie-down technique. Do not use the crane to lift or move loads that are not designed for the crane. Do not use the crane to lift or move loads that are not designed for the crane. Do not use the crane to lift or move loads that are not designed for the crane. Do not use the crane to lift or move loads that are not designed for the crane.

Capacity	Weight	Height	Radius	Wind	Temperature
10000	1000	100	100	10	100
20000	2000	200	200	20	200
30000	3000	300	300	30	300
40000	4000	400	400	40	400
50000	5000	500	500	50	500

302-904-1900

33

CAUTION

USE PROPER WEDGE AND SOCKET FOR ATTACHING WIRE ROPE. PROPER WEDGE AND SOCKET ARE MARKED #20 FOR 3/4 INCH WIRE ROPE.

34

CAUTION

This 24V DC-12V DC converter is only for speedometer and tachometer. Never connect other electric device.

302-904-3000

37

CAUTION

Prohibition of Warning

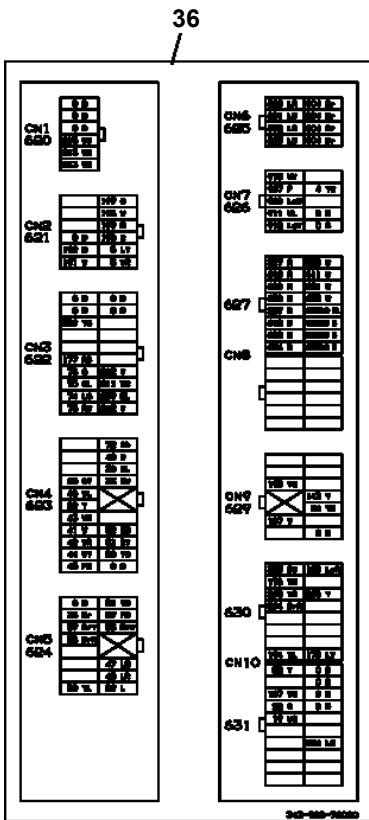
WARNING Always use correct tie-down technique. Do not use the crane to lift or move loads that are not designed for the crane. Do not use the crane to lift or move loads that are not designed for the crane. Do not use the crane to lift or move loads that are not designed for the crane.

38

WARNING

AVOID PERSONAL INJURY OR DAMAGE TO EQUIPMENT BEFORE MOVING OUTRIGGERS OUT OR IN MAKE SURE AREA IS CLEAR.

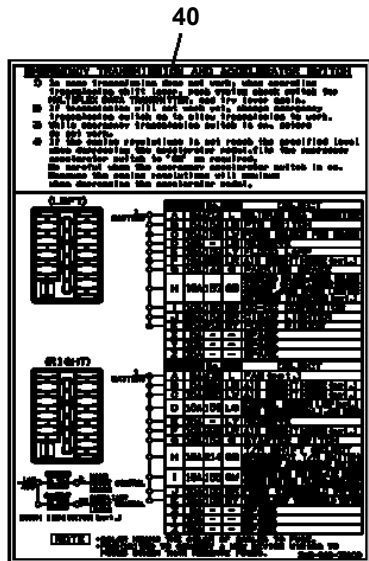
302-904-3000



39

WARNING

DO NOT OPERATE THIS CRANE UNLESS YOU HAVE BEEN TRAINED IN ITS SAFE OPERATION. YOU MUST FOLLOW THE SAFETY AND RECOMMENDATIONS CONTAINED IN THE TAGGING INSTRUCTION MANUALS. YOU ARE FAMILIAR WITH THE OSHA RULES FOR A SAFE WORKPLACE. AN UNTRAINED OPERATOR SUBJECTS HIMSELF AND OTHERS TO DEATH OR SERIOUS INJURY.



41

WARNING

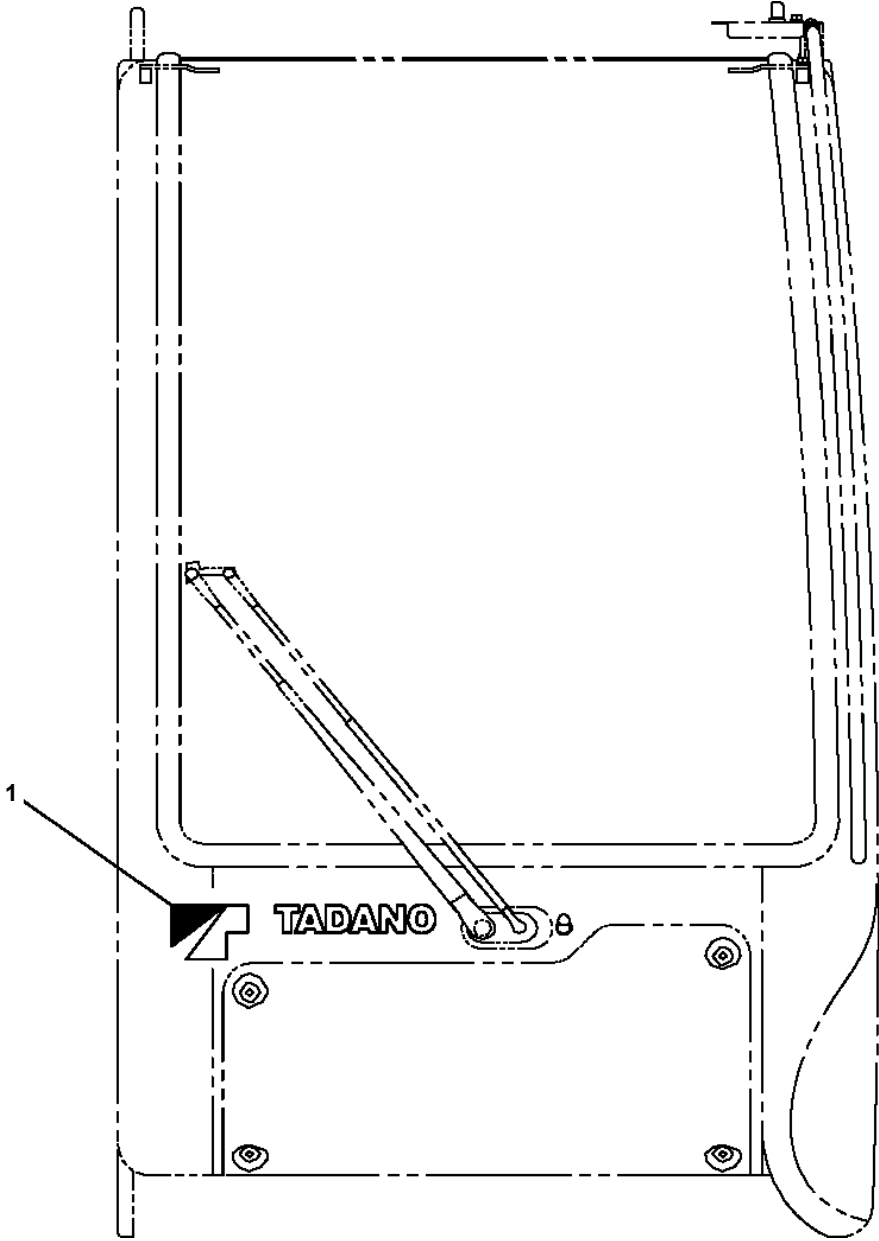
ELECTROCUTION HAZARD

DO NOT OPERATE CRANE OR TRAVELER WITH CRANE WITHOUT PROPER TRAINING. IT IS THE OPERATOR'S RESPONSIBILITY TO PROVIDE ALL SAFETY DEVICES OR MEANS THAT MAY BE NECESSARY OR REQUIRED FOR ANY USE. CONTACT YOUR LOCAL SALES REPRESENTATIVE FOR MORE INFORMATION.

WARNING

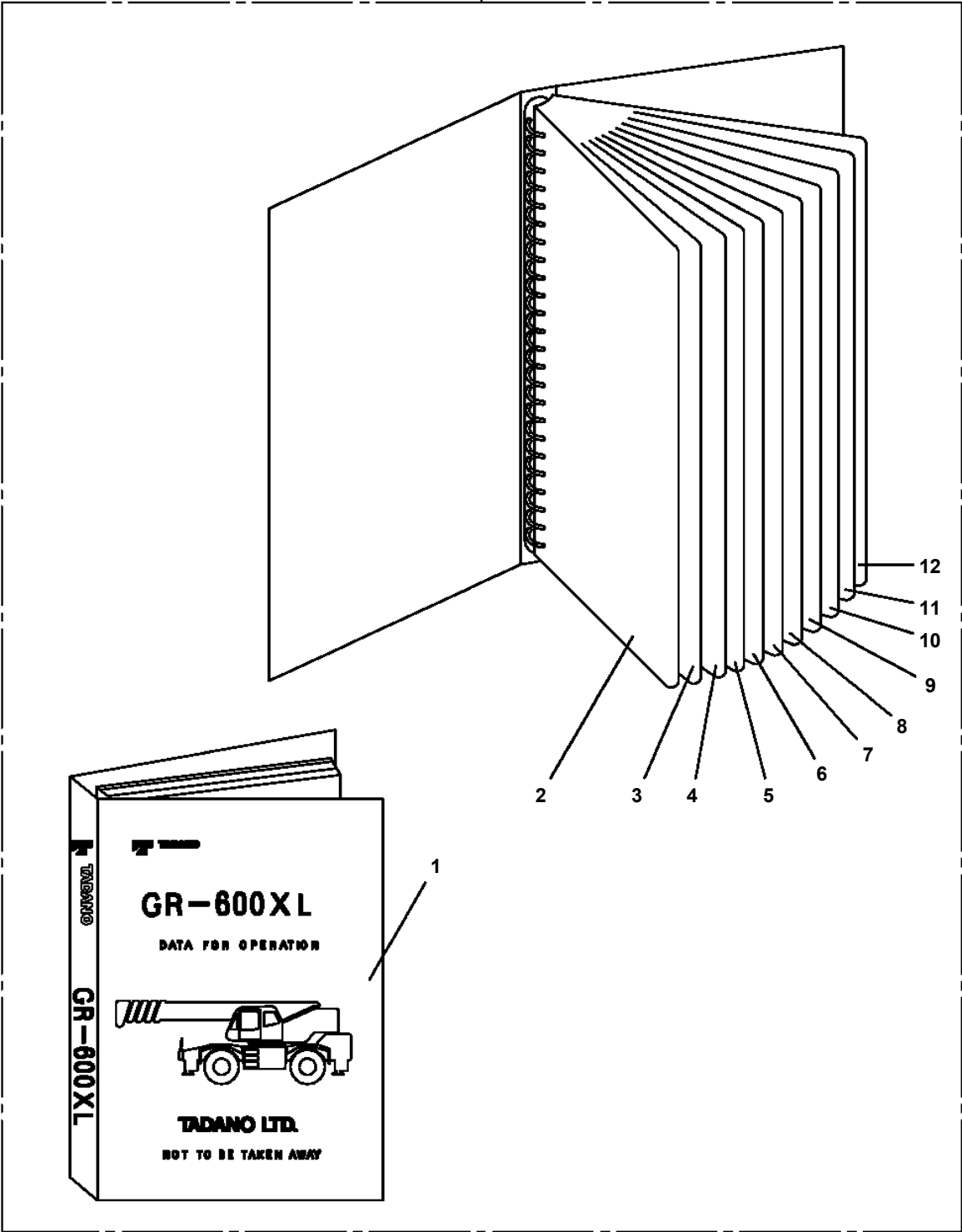
THIS MACHINE IS NOT EQUIPPED WITH ANY WARNING OR SIGNALING DEVICES. EXTENSIVE DANGER MUST BE OBSERVED BY ALL PERSONNEL. PERSONS WITH AND AROUND THIS MACHINE MUST BE THE RESPONSIBILITY OF THE OPERATOR TO MAINTAIN CLEARANCE. ALWAYS WEAR YOUR SAFETY BELT AND HELMET. ALWAYS WEAR YOUR SAFETY BELT AND HELMET. ALWAYS WEAR YOUR SAFETY BELT AND HELMET.

GR-600-1-00213 5 BOOM + 2 JIB,2M2D
PO1030019-00 TADANO (CAB,BLUE/WHITE)

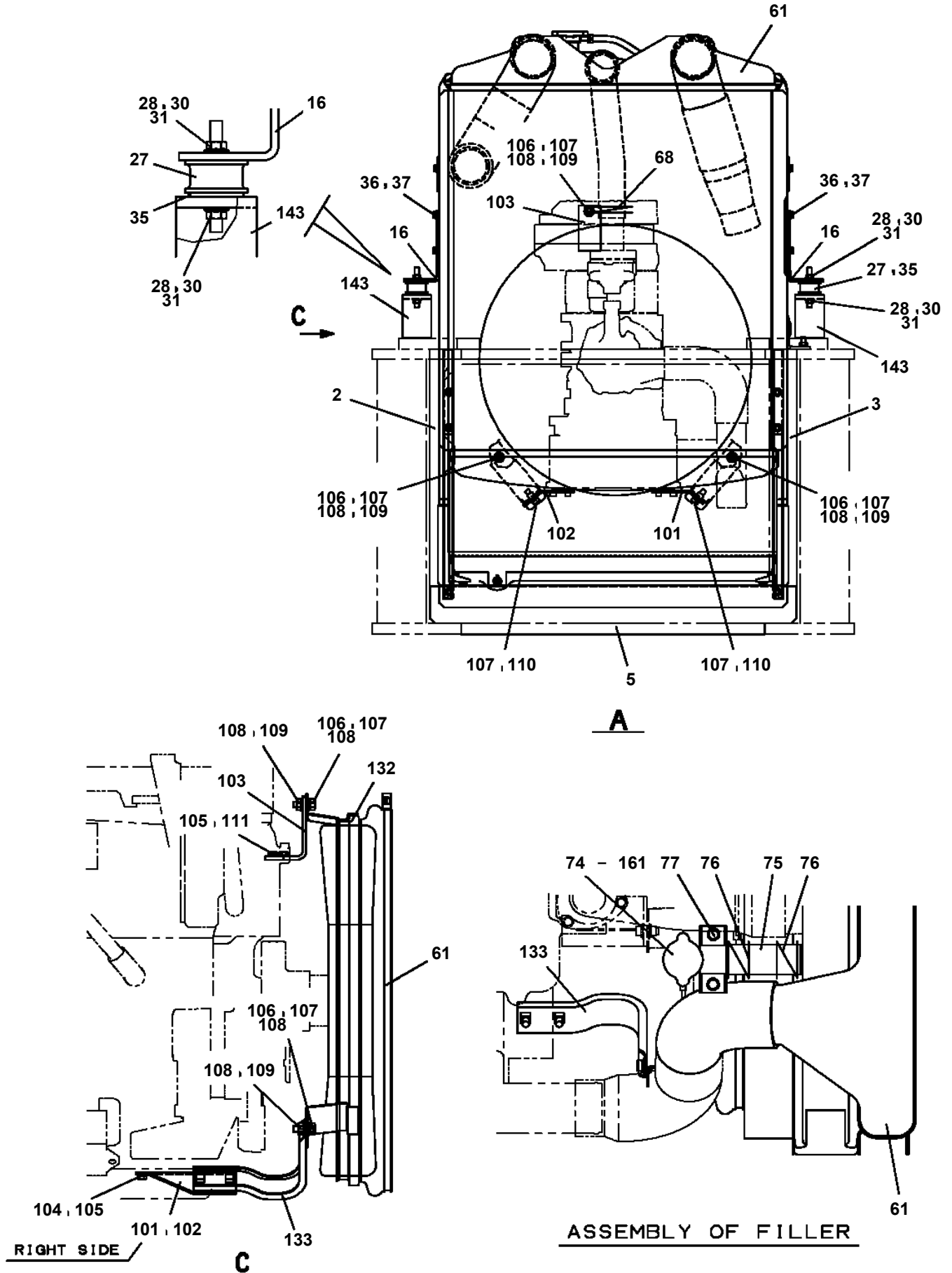


**GR-600-1-00213 5 BOOM + 2 JIB,2M2D
PO1060208-01 LOAD CHART BOOKLET**

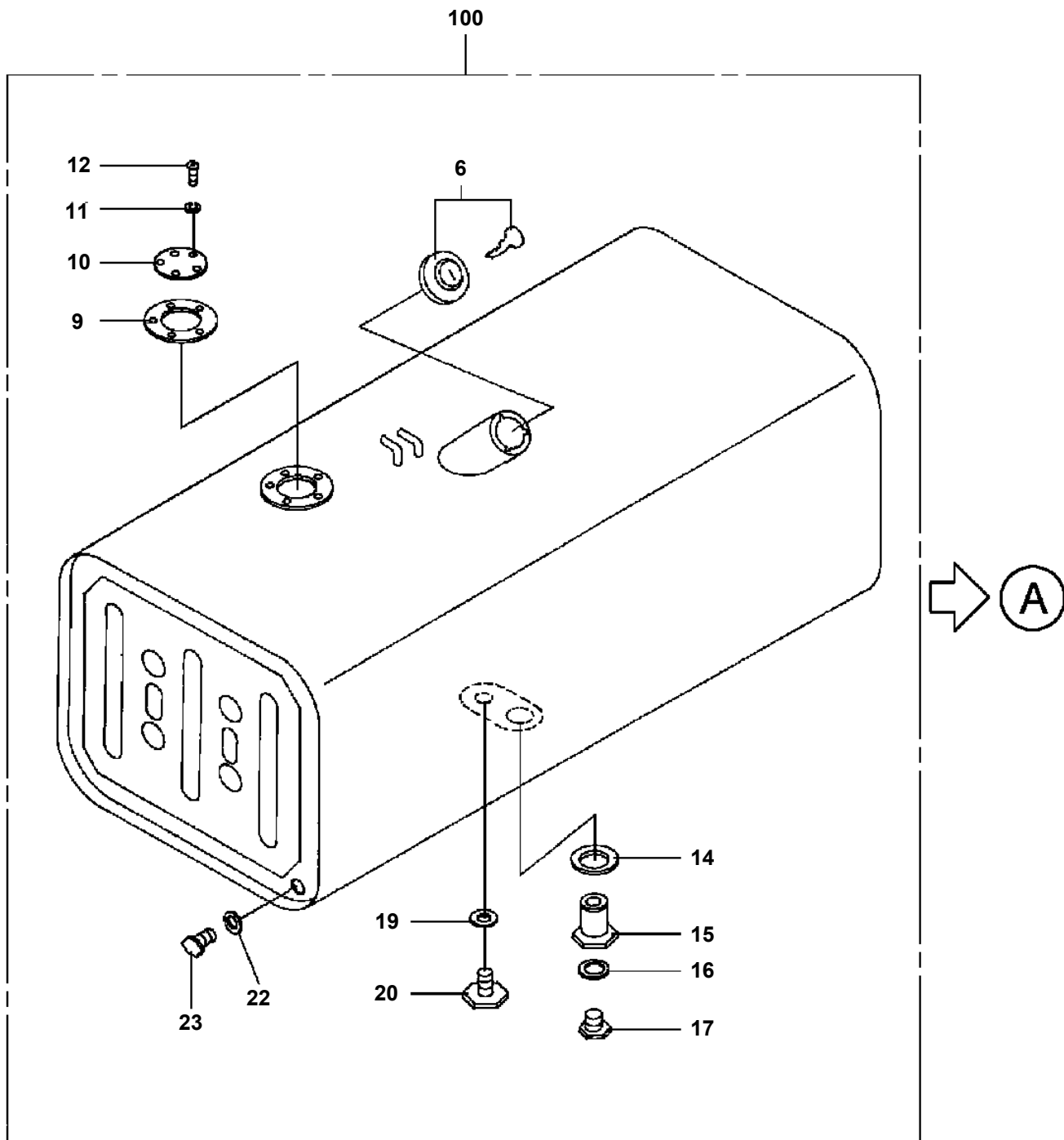
50



**GR-600-1-00213 5 BOOM + 2 JIB,2M2D
PQ1020098-04 RADIATOR**



GR-600-1-00213 5 BOOM + 2 JIB,2M2D
PQ1100033-02 TANK,FUEL (300L)



Ⓐ 部へ変更
ALTERATION TO Ⓐ

GR-600-1-00213 5 BOOM + 2 JIB,2M2D

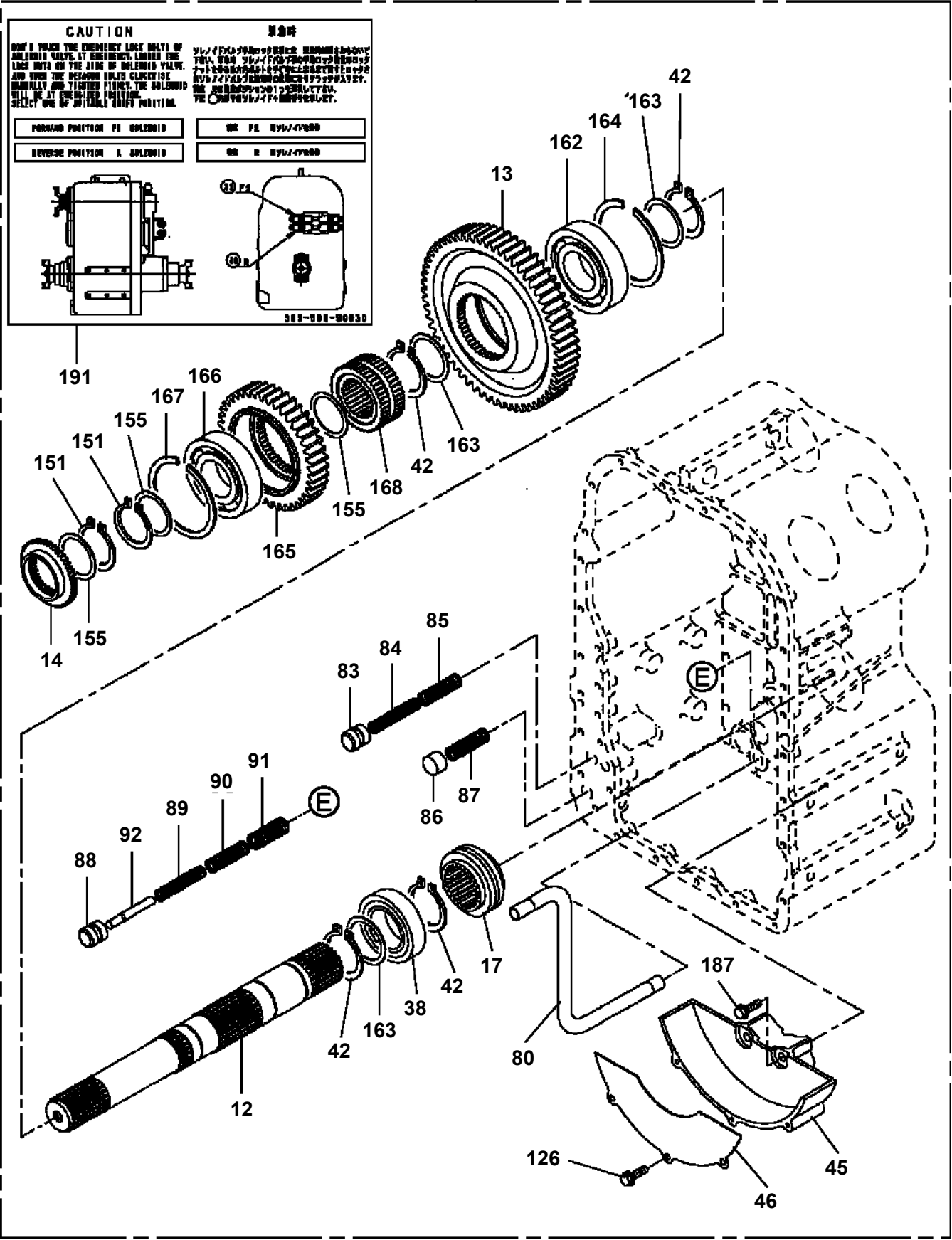
Pos No.	Parts No	Parts Name	Qty	Unit	Technical Data	Serial No (Start)	Serial No (End)
1	36303316000	SHAFT,PROPELLER	1				
	36303315000	SHAFT,PROPELLER (KOYO:T/C-T/M)	1				
2	36302295000	SHAFT,PROPELLER (T/M-F/AXLE)	1				
3	36302305000	SHAFT,PROPELLER (T/M-R/AXLE)	1				
	36302306000	PROPELLER SHAFT,DRIVING	1				
4	34780960700	GUARD	1				
6	34780900800	GUARD	1				
7	90280201000	NUT,FLANGE	4		M10		
8	90186210020	BOLT,FLANGE	3		M10X20		
9	34780431300	GUARD	1				
10	34781260400	SUPPORT (L)	1				
11	90101516045	BOLT	12		M16X45		
12	90302041601	WASHER,SPRING	12		16		
13	34781260500	SUPPORT (R)	1				
14	34782180100	SUPPORT (R)	1				
15	90191512035	BOLT	8		M12X35		
16	90302041201	WASHER,SPRING	16		12		
17	34782180200	SUPPORT (L)	1				
18	90101512040	BOLT	8		M12X40		
19	90201201200	NUT	8		M12		
20	90209201400	NUT	4		M14		
21	90302041401	WASHER,SPRING	4		14		
22	90303151401	WASHER,PLAIN	4		14		
23	90303071001	WASHER,PLAIN	16		10		
24	90101510025	BOLT	16		M10X25		
	90101510022	BOLT	16		M10X22	546224	546223
25	90302041001	WASHER,SPRING	16		10		
26	37001503570	BOLT	6		M24X90		
27	90236252408	NUT,CASTLE	6		M24		
28	90303132401	WASHER,PLAIN	6		24		
29	34780432500	CUSHION (KURASHIKIKAKO)	6				
	34260770200	CUSHION (ASAHI GOMU)	6				
30	34260770400	CUSHION (ASAHI GOMU)	6				
	34260230900	CUSHION (KURASHIKIKAKO)	6				
31	80136350045	PIN,SPLIT	6		5X45		
55	36360011080	NUT	16				
56	36360011090	WASHER,SPRING	16				
57	36360491050	CUSHION	2				
59	36360591010	BOLT (FRONT CUSHION)	4				
60	36360591020	WASHER,PLAIN (FRONT CUSHION)	4				
81	90155210030	BOLT,WELD	2		M10X30		
82	37000560400	PLATE	1				
83	37000560390	PLATE	1				
84	34782181200	SUPPORT	2				
85	34782181100	SUPPORT	2				
86	34781540100	SUPPORT	2				

GR-600-1-00213 5 BOOM + 2 JIB,2M2D

Pos No.	Parts No	Parts Name	Qty	Unit	Technical Data	Serial No (Start)	Serial No (End)	Re
1	36370415070	IMPELLER ASSY	1					
2	36370515050	TURBINE ASSY	1					
3	36370515060	STATOR (WHEEL)	1					
4	36370515070	COVER ASSY (FRONT)	1					
5	36370555050	GUIDE (INPUT)	1					
6	36370535030	PLATE (INPUT)	1				547245	
	36370575140	PLATE (INPUT)	1			547246		
7	36370216071	RACE, OUTER	1					
8	36370415370	CLUTCH, ONEWAY	1					
9	36370216090	RETAINER (A/ONEWAY CLUTCH)	1					
10	36370216100	RETAINER (B/ONEWAY CLUTCH)	1					
11	36370216111	INNER RACE	1					
12	36370216120	PISTON	1					
13	36370515090	PLATE (PRESSURE)	1					
14	36370415120	WASHER	1					
15	36370216150	BEARING, BALL	1					
16	36370216160	BEARING, BALL	1					
17	36370216170	BEARING, NEEDLE	1					
18	36370216180	WASHER, THRUST	1					
19	36370216190	RING, RETAINING	1					
20	36370415130	RING, SNAP	1					
21	36370216210	BEARING, NEEDLE	1					
22	36370515100	SUPPORT	1					
23	80601110500	RING, RETAINING	1		S50			
24	36370615130	O-RING	1					
25	36370575060	O-RING	1					
26	36370575070	O-RING	1					
27	36370625140	RING (D)	1					
28	36370625150	RING (D)	1					
29	36370575080	BOLT (WITH FLANGE)	24				547245	
	901711108030	BOLT	24		M8X30	547246		
30	36370555060	BOLT	12					
31	36350456060	PLUG	3					
32	36370455100	DISK ASSY	1					
33	80602110900	RING, RETAINING	1		R90			
34	36370515120	WASHER, THRUST	1					
35	36370216340	WASHER, THRUST	1					
36	36370216300	WASHER	12					
37	90302050801	WASHER, SPRING	24		8	547246		

GR-600-1-00213 5 BOOM + 2 JIB,2M2D
PR1400054-00 TRANSMISSION

300)



GR-600-1-00213 5 BOOM + 2 JIB,2M2D

Pos No.	Parts No	Parts Name	Qty	Unit	Technical Data	Serial No (Start)	Serial No (End)	P
1	36350556510	BODY,VALVE	1					
2	36350495280	VALVE (RANGE)	1					
3	36350268030	VALVE,CONTROL (SPEED RANGE)	2					
4	36350268040	SPRING (PRESSURE)	2					
5	36350556520	COVER (A)	1					
6	36350556530	GASKET (A)	1					
7	36350556540	COVER (B)	1					
8	36350556550	GASKET (B)	1					
9	36350556560	COVER (C)	1					
10	36350556570	GASKET (C)	1					
11	36370415360	VALVE,SOLENOID	4					
12	36350265970	CLIP	1					
13	36350556580	WASHER	1					
14	36350556590	BOLT	2					
15	90171106020	BOLT	9		M6X20			
16	36350556600	GASKET (D)	1					
17	36350525370	FILTER	1					
51	36370415430	COIL KIT	4					
52	36370415440	OVERHAUL KIT	4					
100	36350555090	VALVE,CONTROL (T/M)	1					

GR-600-1-00213 5 BOOM + 2 JIB,2M2D

Pos No.	Parts No	Parts Name	Qty	Unit	Technical Data	Serial No (Start)	Serial I
111	36380995100	SPINDLE, KNUCKLE	2				
112	90103720055	BOLT	36		M20X55		
114	36380365240	SEAL,OIL	2				
115	36380365020	COLLAR (SEAL)	2				
116	36381595040	PIN,KING	2				
117	36381595050	WASHER,THRUST	2				
118	36381595060	PIN,KING	2				
119	36381595070	WASHER,THRUST	2				
120	36380065410	PIN	4				
121	36381595080	SHIM SET	1				
122	36380215350	COVER	8				
123	36381595090	BOLT	16				
124	34680005670	BOLT,STOPPER	2				
125	90211702400	NUT	2		M24		
126	36381345110	TIE ROD	1				
127	36381445130	END,TIE ROD (RIGHT HAND SCREW)	1				
128	36381445140	END,TIE ROD (LEFT HAND SCREW)	1				
129	36380065451	BUSH,ROD (TIE)	2				
130	36380065470	SEAL,OIL	4				
131	90101516100	BOLT	4		M16X100		
132	90201201600	NUT	4		M16		
133	90303071601	WASHER,PLAIN	4		16		
134	36380995170	PIN (TIE ROD END)	2				
135	36380065461	PLATE (LOCK)	2				
136	90171108020	BOLT	4		M8X20		
137	90302040801	WASHER,SPRING	4		8		
138	80601110420	RING,RITAINING	2		S42		
139	36381445150	SHAFT (AXLE)	2				
140	36380705180	COLLAR (SHAFT)	2				
141	36380065510	JOINT,BALL	2				
142	36380995200	BEARING,BALL (BALL JOINT)	2				
144	36380065291	WASHER,THRUST	2				
145	36380065541	GEAR,SUN	2				
146	36380065550	SPIDER,PLANETARY GEAR	2				
147	36380065560	GEAR,PLANETARY	6				
148	36380065570	SHAFT (PLANETARY)	6				
149	36380065581	WASHER,THRUST	12				
150	36380065590	GEAR,INTERNAL	2				
151	36380995210	HUB,INTERNAL GEAR	2				
152	36380065610	WIRE,LOCK	4				
153	36380065621	NUT,BEARING	2				
154	36380065630	PLATE (LOCK)	2				
155	90101510025	BOLT	4		M10X25		
156	90302041001	WASHER,SPRING	4		10		
157	36380065680	BEARING,NEEDLE	12				
158	36380065660	O-RING	2				
159	90171112040	BOLT	72		M12X40		
160	90303071201	WASHER,PLAIN	72		12		
161	59172081020	PLUG,MAGNET	2		PT3/4		
162	36381215130	COVER (GEAR SPIDER)	2				
163	36380065650	STOPPER (SHAFT)	2				
164	36380705280	PLUG	2				
165	36380065670	O-RING	2				
166	90101510025	BOLT	16		M10X25		
167	90302041001	WASHER,SPRING	16		10		
171	36380995220	HUB,WHEEL	2				
172	36381245240	BOLT	46		M20X1.5		
173	36381245231	NUT	46		M20X1.5		
174	36380065740	BEARING,TAPER ROLLER	4				
176	36381445160	DISK	2				
177	36381445170	BOLT	48				
178	36380675380	WASHER,PLAIN	48				
179	36381445180	SEAL (WITH SHAFT /WHEEL HUB)	2				

GR-600-1-00213 5 BOOM + 2 JIB,2M2D

Pos No.	Parts No	Parts Name	Qty	Unit	Technical Data	Serial No (Start)	Serial No (End)	Remarks	Pages
100	37003804510	TIRE (HUNG-A)	1						

GR-600-1-00213 5 BOOM + 2 JIB,2M2D

Pos No.	Parts No	Parts Name	Qty	Unit	Technical Data	Serial No (Start)	Serial I
1	36381215020	CARRIER SET	1				
2	59172010030	NUT,RING	2				
3	59172010040	PIN	2				
4	34680005180	PLUG (THRUST)	1				
5	34680005190	BOLT (M24,THRUST)	1				
6	34680005220	NUT	1		M24		
7	36380365290	SHIM SET	1				
8	36381215040	CASE SET (DIFF.)	1				
9	36380075010	DIFFERENTIAL ASSY (NO-SPIN)	1				
14	59172071030	BEARING,TAPER ROLLER(INSIDE=80.962MM)	1				
15	36380065090	BEARING,TAPER ROLLER(INSIDE=85.725MM)	1				
16	36381445030	GEAR SET (HYPOID PINION GEAR)	1				
17	36381225050	BOLT	16		M16X42		
18	36381355020	YOKE ASSY	1				
19	36380065140	BEARING CAGE,PINION	1				
20	36380065150	SPACER (PINION BEARING)	1				
21	36380075020	COVER (BEARING CAGE)	1				
24	36380105190	NUT (HYPOID PINION)	1				
25	59172071070	BEARING,ROLLER	1				
26	36380075030	BEARING,TAPER ROLLER	1				
27	36380065170	BEARING,TAPER ROLLER	1				
28	36380065160	PACKING	1				
29	90191512050	BOLT	9		M12X50		
30	90302041201	WASHER,SPRING	9		12		
31	80601110320	RING,RETAINING	1		S32		
32	36380105210	SEAL,OIL	1				
45	36380365360	GROMMET	2				
51	90171116045	BOLT	10		M16X45		
52	90171116050	BOLT	4		M16X50		
53	90302051601	WASHER,SPRING (16)	14				
61	36381455020	HOUSING ASSY (AXLE)	1				
62	36381595010	BUSH,KING PIN	4				
64	59172030030	BREATHER,AIR	1				
65	36380705280	PLUG	1				
66	59172081020	PLUG,MAGNET	1		PT3/4		
67	36380705080	RETAINER	2				
68	36380995070	BUSHING (AXLE HONSING)	2				
69	36380065250	SEAL,OIL	2				
70	36380705090	O-RING	2				
80	36381225020	CASE ASSY (DIFFERNITIAL).	1				
101	36380065352	BOOT,RUBBER (KNUCKLE)	2				
102	59172030450	BAND	2				
103	36380065360	PLATE (LOCK)	4				
104	36380435010	BOLT (WITH WASHER)	28				
106	36381595020	KNUCKLE (1)	1				
107	36381595030	KNUCKLE (2)	1				
108	36381455030	PLATE	1				
109	36380435010	BOLT (WITH WASHER)	4				
110	59172080010	NIPPLE,GREASE	6		PT1/8		
111	36380995100	SPINDLE,KNUCKLE	2				
112	90103720055	BOLT	36		M20X55		
114	36380365240	SEAL,OIL	2				
115	36380365020	COLLAR (SEAL)	2				
116	36381595040	PIN,KING	2				
117	36381595050	WASHER,THRUST	2				
118	36381595060	PIN,KING	2				
119	36381595070	WASHER,THRUST	2				
120	36381585030	PIN	4				
121	36381595080	SHIM SET	1				
122	36380215350	COVER	8				
123	36381595090	BOLT	16				
124	34680005670	BOLT,STOPPER	2				
125	90211702400	NUT	2		M24		

GR-600-1-00213 5 BOOM + 2 JIB,2M2D

Pos No.	Parts No	Parts Name	Qty	Unit	Technical Data	Serial No (Start)	Serial
1	37003900010	WHEEL,TIRE	1				
2	37003802970	TIRE (WITH VALVE)	1				
3	34397010100	PLATE,NAME (INSTALLED TIRES AT TIME OF)	1				

GR-600-1-00213 5 BOOM + 2 JIB,2M2D

Pos No.	Parts No	Parts Name	Qty	Unit	Technical Data	Serial No (Start)	Serial
1	37003901500	WHEEL,TIRE	1				
2	37003802970	TIRE (WITH VALVE)	1				
3	34397010100	PLATE,NAME (INSTALLED TIRES AT TIME OF)	1				

GR-600-1-00213 5 BOOM + 2 JIB,2M2D

Pos No.	Parts No	Parts Name	Qty	Unit	Technical Data	Serial No (Start)	Serial
1	37003901520	WHEEL,TIRE	1				
2	37003802970	TIRE (WITH VALVE)	1				
3	34397010100	PLATE,NAME (INSTALLED TIRES AT TIME OF)	1				

GR-600-1-00213 5 BOOM + 2 JIB,2M2D

Pos No.	Parts No	Parts Name	Qty	Unit	Technical Data	Serial No (Start)	Serial No (End)	Remarks	Pages
1	34721427530	KNOB (HANDLE)	1						
2	34721427540	CAP (HORN)	1						
100	34721421100	WHEEL,STEERING	1						

GR-600-1-00213 5 BOOM + 2 JIB,2M2D

Pos No.	Parts No	Parts Name	Qty	Unit	Technical Data	Serial No (Start)	Serial M
1	34640791200	JOINT	1				
2	90101210020	BOLT	2		M10X20		
3	37002471850	HOSE	1		L=1650		
4	80303130321	FITTING,ELBOW	1		KLO28-080E		
5	36653520000	PUMP,HYDRAULIC (EMERGENCY STEERING)	1				
6	34640271700	GASKET	1				
7	81408000341	PIPE,STEEL	1	M	28X3.1T		
8	80302090322	FITTING	1		KCO28-080N		
9	91002802900	O-RING	1		1B P29		
11	37002418130	HOSE	1		L=400		
12	89640101000	HOSE	1		880-NFK,1M		
13	80400160126	FITTING,TEE	1		20364-U1/2		
14	36640660000	VALVE,HYDRAULIC	1				
15	34640272300	JOINT	1		G3/4		
16	91002802400	O-RING	4		1B P24		
17	80441030904	FITTING,ELBOW (WITH O-RING)	1		L,G1/4-12.7		
20	90191510030	BOLT	2		M10X30		
21	90302041001	WASHER,SPRING	4		10		
23	91803600400	CLIP	8		D=27-40		
24	37002509360	HOSE	1		L=550		
25	37000910010	JOINT	2		G3/4-25		
26	90303071001	WASHER,PLAIN	2		10		
27	37002510560	HOSE	1		L=620		
28	80400160133	JOINT	1				
40	80471020506	JOINT	1		45,G3/4-G3/4		
51	91002802900	O-RING	1		1B P29		
71	91002801100	O-RING	1		1B P11		

GR-600-1-00213 5 BOOM + 2 JIB,2M2D

Pos No.	Parts No	Parts Name	Qty	Unit	Technical Data	Serial No (Start)	Serial No (End)	Remarks	P
1	34880177650	HEAD	1						
4	34880177590	NUT,RING	1						
5	34880177550	SPRING	1						
6	34880177560	RETAINER (SPRING)	1						
7	34880177600	PLUG,AIR	1						
8	34880167551	GASKET (AIR PLUG)	1						
9	34880177630	PLUG (DRAIN)	1						
10	34880177640	GASKET	1						
11	34880177530	O-RING	1						
12	34880177620	LABEL (CAUTION)	2						
13	34880167591	JOINT,SWIVEL	2		L=48				
14	34880177670	BOLT (CONNECTOR)	2						
15	34880167601	GASKET (CONNECTOR)	4						
21	34880177680	CASE ASSY	1						
22	34880177660	ELEMENT KIT	1						
50	34880171001	SEPARATOR,WATER	1						

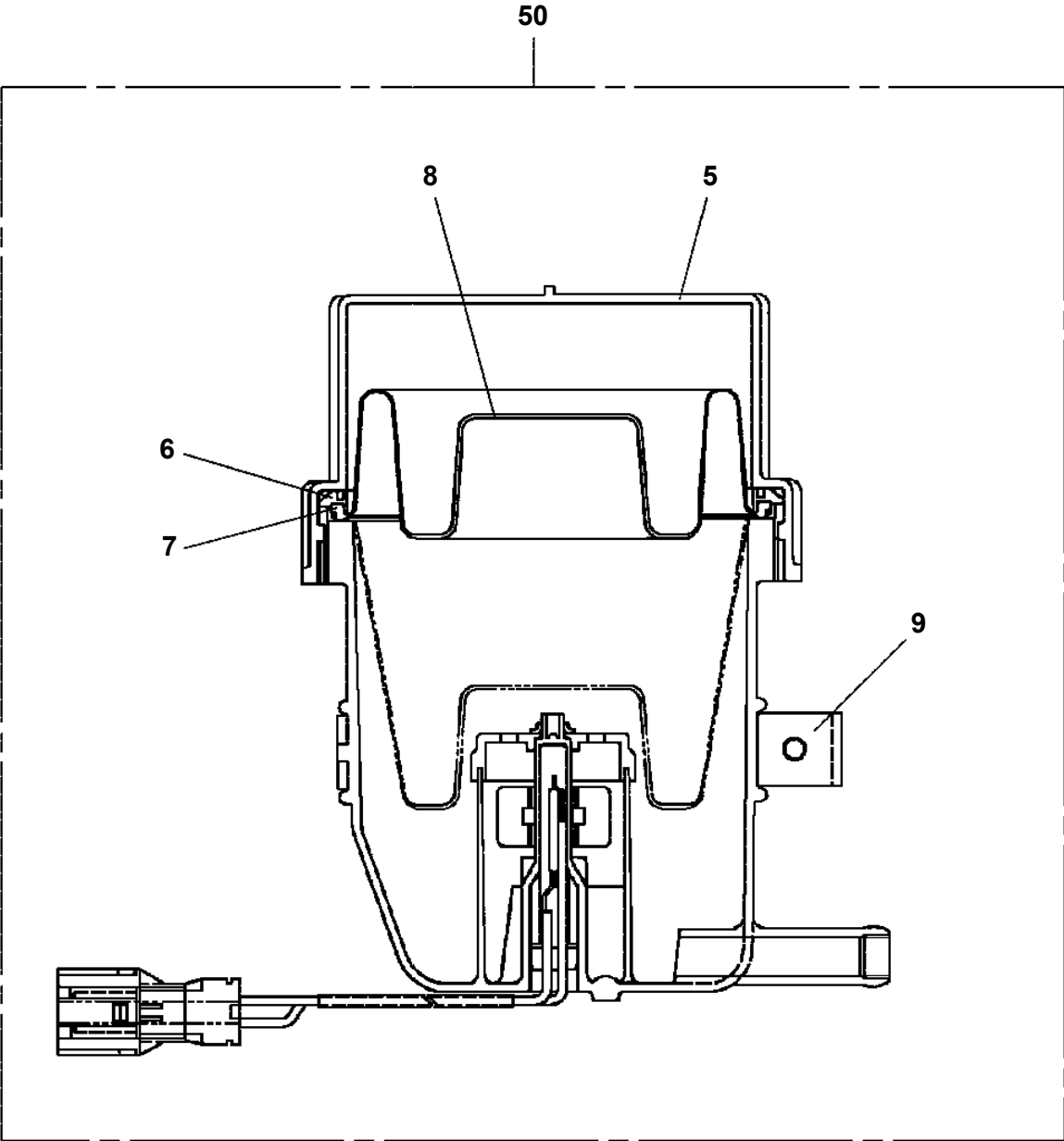
GR-600-1-00213 5 BOOM + 2 JIB,2M2D

Pos No.	Parts No	Parts Name	Qty	Unit	Technical Data	Serial No (Start)	Serial No (End)	Remarks	Pages
5	34510703250	PACKING	1						
6	34510703260	PACKING	1						
100	34510703200	SUPPORT	1						

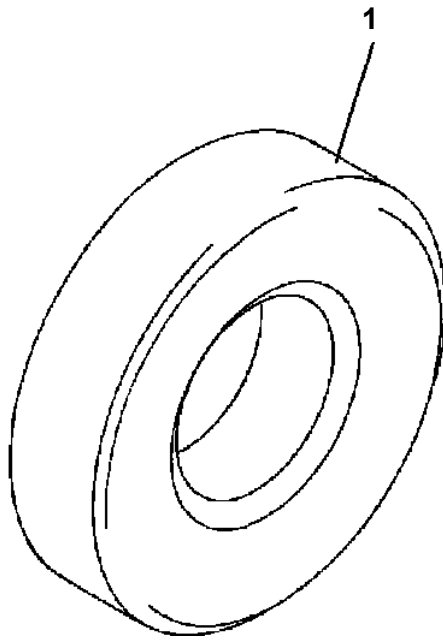
GR-600-1-00213 5 BOOM + 2 JIB,2M2D

Pos No.	Parts No	Parts Name	Qty	Unit	Technical Data	Serial No (Start)	Serial N
66	34921848010	PIPE ASSY	1		10XT0.7,L=1140		
67	34921848020	PIPE ASSY	1		10XT0.7,L=1295		
68	90211201600	NUT	3		M16		
69	90304111601	WASHER,TOOTH	3		16		
70	37000904130	FITTING	1		M16-M16		
71	37000900731	FITTING	2		S,M12-M12		
72	36061430000	BOOSTER (BRAKE)	1				
73	36061420000	BOOSTER (BRAKE)	1				
74	34921848030	PIPE ASSY	1		10XT0.7,L=1438		
75	59159035000	FITTING,ELBOW	2		L,R1/2-M20		
76	34921848040	PIPE ASSY	1				
77	34921848050	PIPE ASSY	1		12XT0.9,L=570		
78	34922168010	PIPE ASSY	1				
79	34922168090	PIPE ASSY	1				
80	34921415002	SUPPORT	1				
81	34922168020	PIPE ASSY	1				
82	34922168040	PIPE ASSY	1				
83	37002419560	HOSE	2		L=1120		
84	91002801100	O-RING	2		1B P11		
85	37000917480	JOINT	2		S G1/4-G3/8		
87	34921416001	SUPPORT	1				
88	34922168100	PIPE ASSY	1				
89	37000903370	JOINT	1		L,G1/4-R1/8		
90	37002437440	HOSE,AIR	1		L=680		
91	82100002015	CLAMP	1		WRC20		
92	90280200800	NUT,FLANGE	1		M8		
95	82100002006	CLAMP	1		WR10		
96	37000909600	FITTING	3		S,G1/4-M12		
97	34920611800	CLAMP	6		6		
98	90303070801	WASHER,PLAIN	7		8		
99	90171108040	BOLT	6		M8X40		
100	34920611700	SPACER	6		L=23		
101	37000701500	CLAMP ASSY	9		12X1		
102	34922168130	PIPE ASSY	1				
103	37000711170	CLAMP ASSY	1		12X3		
104	34921313000	TANK,BRAKE FLUID	1				
105	37000117540	PIN	1				
106	80136332020	PIN,SPLIT	1		3.2X20		
107	56476172000	FITTING	1		S,R1/4-M12		
108	37000904030	FITTING	1		S,M16-M16		
109	37000714300	CLAMP ASSY	2				
110	34921848120	PIPE ASSY	1				
111	34921848130	PIPE ASSY	1				
114	90303070601	WASHER,PLAIN	1		6		

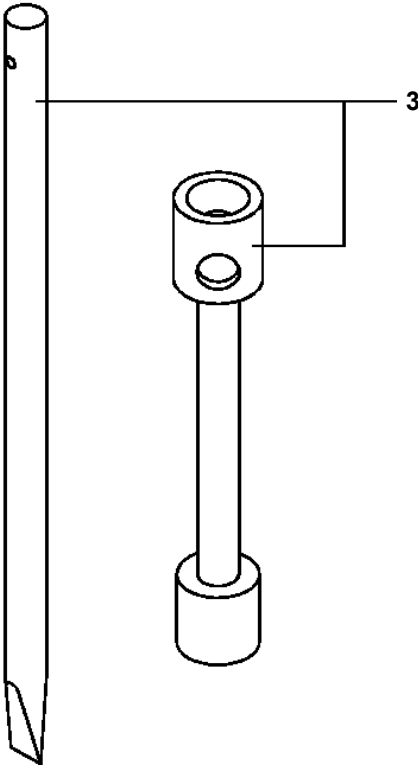
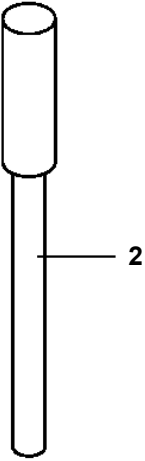
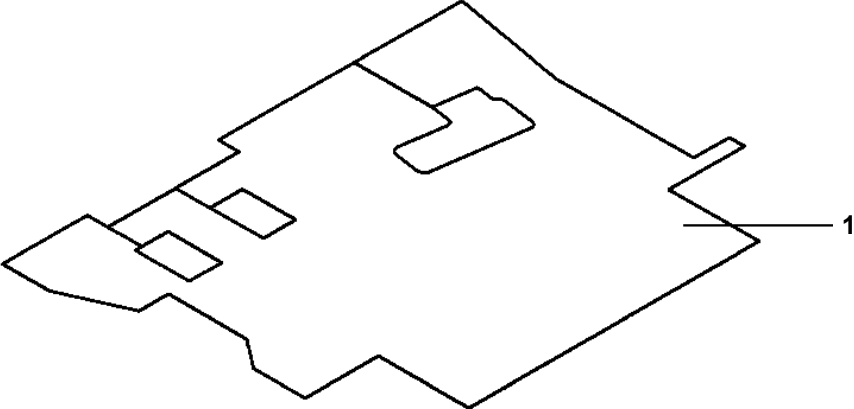
GR-600-1-00213 5 BOOM + 2 JIB,2M2D
PT1260003-03 TANK,BRAKE FLUID



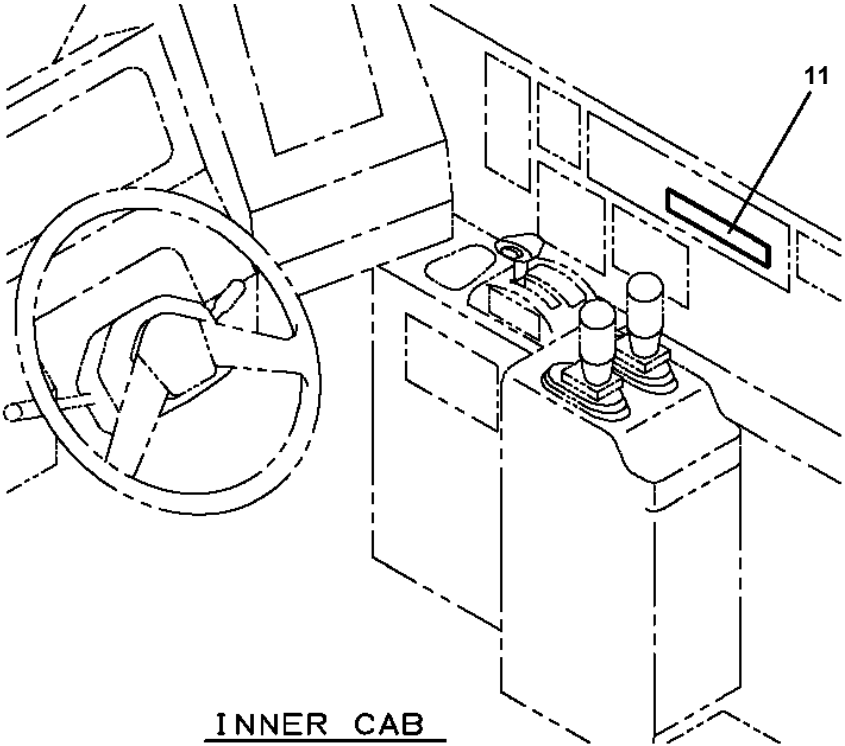
GR-600-1-00213 5 BOOM + 2 JIB,2M2D
PT5140001-00 TIRE (YOKOHAMA)



GR-600-1-00213 5 BOOM + 2 JIB,2M2D
PW1010326-00 ACCESSORIES

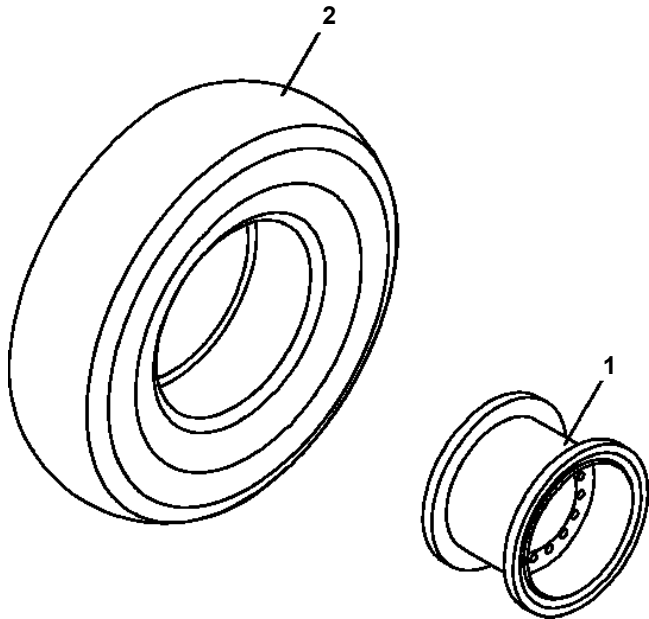


**GR-600-1-00213 5 BOOM + 2 JIB,2M2D
PW5030006-01 WHEEL ASSY (TITAN STEEL WHEELS + YOKOHAMA)**

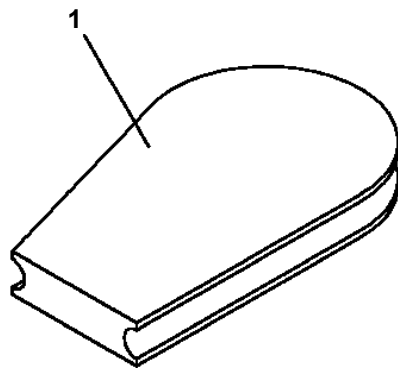


INNER CAB

11
Installed tires at time of shipment from the factory : 29.5-25-28PR



GR-600-1-00213 5 BOOM + 2 JIB,2M2D
PW5110007-00 WEDGE



GR-600-1-00213 5 BOOM + 2 JIB,2M2D

Pos No.	Parts No	Parts Name	Qty	Unit	Technical Data	Serial No (Start)	Serial No (End)	Remarks	Pages
1	34692620100	SUPPORT	1						
2	34692620200	COVER	1						
3	34692620351	COVER	1						
4	34692620400	COVER	1						
5	34692620500	COVER	1						
6	90186210014	BOLT,FLANGE	10		M10X14				
9	34692620600	COVER	1						
10	34692620800	COVER	1						
13	90302040801	WASHER,SPRING	8		8				
14	90280200800	NUT,FLANGE	8		M8				
15	34690923600	HINGE	2						
16	90101208020	BOLT	6		M8X20				
17	90201200800	NUT	6		M8				
18	82466301450	INSULATOR	2						
19	80172304020	SCREW,MACHINE	2		M4X20		546963		
	80172804020	SCREW,MACHINE	2		M4X20	546964			
20	37000505950	PLATE	4		T=3.2				
21	34691292900	INSULATOR	4						
22	90186208014	BOLT,FLANGE	10		M8X14				
23	34690753200	SUPPORT	2						
25	13622510070	CATCH	2						
26	34691901200	SUPPORT	2						
27	80182306012	SCREW,MACHINE	4		M6X12				
28	90302040601	WASHER,SPRING	4		6				
29	34691901100	CATCH ASSY	2						
51	34692628010	COVER ASSY	1						
74	34691519510	COVER	2				546214		
	34691719510	COVER ASSY	2			546215			
75	82400000346	CATCH	3						
76	80147310430	RIVET	12		NSA 4-3				
77	82464000816	HINGE	4				546214		
83	92001140100	HINGE	2						
	92001140100	HINGE	4			546215			
84	34691549510	COVER ASSY	1						
91	90155308020	BOLT,WELD	8		M8X20				
101	34691901110	PLATE	2						
102	34691901120	PLATE	2						
103	31621962800	KNOB	2						
104	37001201780	SPRING	2						
105	90288008035	NUT	2		M8				
106	37000509410	PLATE	2						
107	90101208012	BOLT	2		M8X12				

GR-600-1-00213 5 BOOM + 2 JIB,2M2D

Pos No.	Parts No	Parts Name	Qty	Unit	Technical Data	Serial No (Start)	Serial No (End)	Remarks	Pages
1	34761625100	BOX,TOOL	1						
2	91901200300	KEY	1						
3	90101210022	BOLT	4		M10X22				
4	90302041001	WASHER,SPRING	4		10				
5	90303071001	WASHER,PLAIN	4		10				
6	34761625500	SUPPORT	1						
7	90201201000	NUT	4		M10				
20	34761629510	COVER ASSY	1						
24	82466022800	CATCH	1						
26	80172304014	SCREW,MACHINE	2		M4X14				
27	90302040401	WASHER,SPRING	2		4				
29	34760135150	HINGE	2						
31	34761625150	CUSHION	2						
32	34761625160	CUSHION	2						

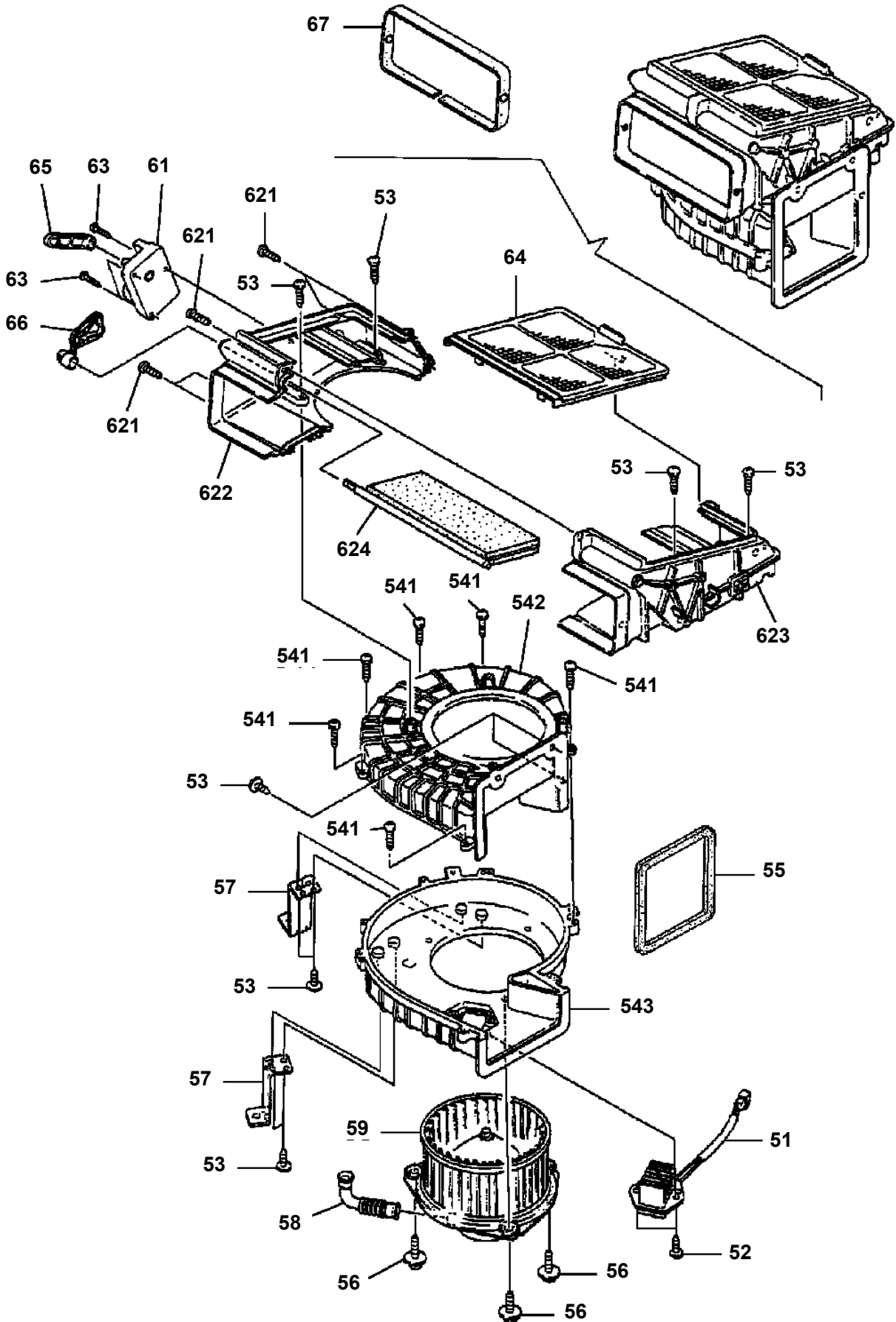
GR-600-1-00213 5 BOOM + 2 JIB,2M2D

Pos No.	Parts No	Parts Name	Qty	Unit	Technical Data	Serial No (Start)	Serial No (End)	Remarks	Pages
1	34344460600	SUPPORT	1						
4	37000517210	SUPPORT	1						
5	37000524090	PLATE	2						
6	37000553870	PLATE	1						
7	34310000060	PLATE	1						

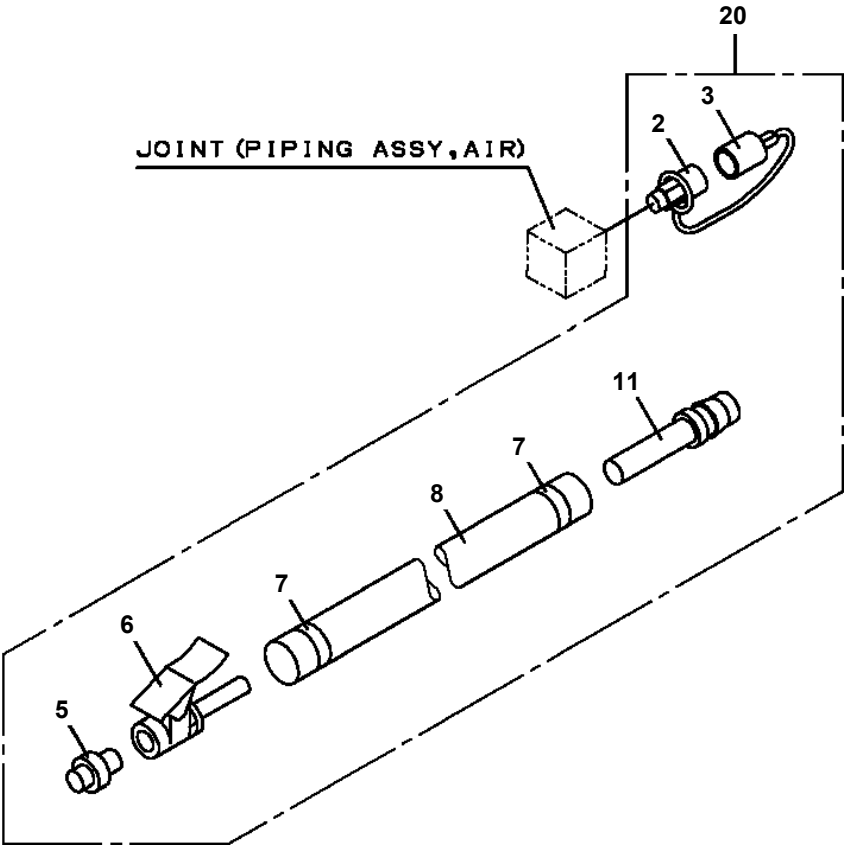
GR-600-1-00213 5 BOOM + 2 JIB,2M2D

Pos No.	Parts No	Parts Name	Qty	Unit	Technical Data	Serial No (Start)	Serial No (End)	Remarks	Pages
1	36690122600	COOLER,OIL	1						
2	36690123000	DUCT	1						
3	36690121020	FAN	1						
4	90101210020	BOLT	4		M10X20				
5	90303071001	WASHER,PLAIN	4		10				
10	36690121000	COOLER,OIL	1						

GR-600-1-00213 5 BOOM + 2 JIB,2M2D
PY1370031-00 EVAPORATOR



GR-600-1-00213 5 BOOM + 2 JIB,2M2D
PY1430001-04 INFLATOR,AIR



GR-600-1-00213 5 BOOM + 2 JIB,2M2D

Pos No.	Parts No	Parts Name	Qty	Unit	Technical Data	Serial No (Start)	Serial No (End)	Remarks	P
3	34260957870	SUPPORT (SUN VISOR)	1						
5	34260957880	SUPPORT (SUN VISOR)	1						
100	34260954500	SUN VISOR (FRONT)	1						

GR-600-1-00213 5 BOOM + 2 JIB,2M2D

Pos No.	Parts No	Parts Name	Qty	Unit	Technical Data	Serial No (Start)	Serial No (End)
1	36361112010	SENSOR (ACCELERATOR WITH S/W)	1				
2	36361112020	SWITCH (IDOLE VOLUME)	1				
4	36361112060	RESISTANCE	1				
5	36361322200	CONTROL UNIT	1				
6	36361322210	CONNECTOR ASSY	1				

CLICK HERE TO **DOWNLOAD** THE COMPLETE MANUAL

- Thank you very much for reading the preview of the manual.
- You can download the complete manual from: www.heydownloads.com by clicking the link below



- Please note: If there is no response to CLICKING the link, please download this PDF first and then click on it.

CLICK HERE TO **DOWNLOAD** THE COMPLETE MANUAL