

## **GR-300E-2-00101 4 BOOM + 2 JIB, 2M2D**

**PB5000007-00 HYDRAULIC PRESSURE SYSTEM**  
**PB6000014-00 PIPING SYSTEM (UPPER)**  
**PB6000026-00 PIPING SYSTEM (LOWER)**  
**PC1000630-00 OUTRIGGER SYSTEM**  
**PD1000622-00 SWING SYSTEM**  
**PF1000728-00 WINCH SYSTEM**  
**PG5000007-00 BOOM SYSTEM**  
**PG6000006-01 JIB SYSTEM**  
**PH5000007-00 SAFETY SYSTEM**  
**PK1000739-00 FRAME**  
**PK5000007-00 CAB SYSTEM**  
**PL5000007-00 CONTROL SYSTEM**  
**PM1000032-01 LUBRICATION DEVICES**  
**PN1000638-01 ELECTRIC EQUIPMENT (CAB)**  
**PN1000639-00 ELECTRIC EQUIPMENT**  
**PO1000150-00 INDICATION PLATES**  
**PR5000034-00 DRIVING POWER SYSTEM**  
**PS5000007-00 STEERING & SUSPENSION**  
**PW1000097-02 ACCESSORIES & TOOLS**  
**PX1001202-02 MOUNTING PARTS**  
**PY1001579-03 OPTIONS**  
**ASSEMBLY**

CLICK HERE TO **DOWNLOAD** THE COMPLETE MANUAL

- Thank you very much for reading the preview of the manual.
- You can download the complete manual from: [www.heydownloads.com](http://www.heydownloads.com) by clicking the link below



- Please note: If there is no response to CLICKING the link, please download this PDF first and then click on it.

CLICK HERE TO **DOWNLOAD** THE COMPLETE MANUAL

# GR-300E-2-00101 4 BOOM + 2 JIB, 2M2D

Pos No.	Parts No	Parts Name	Qty	Unit	Technical Data	Serial No (Start)	Serial No (End)
1	(*****)	SWING UNIT	1				
2	(*****)	LOCK ASSY,SWING	1				
3	(*****)	ATTACHMENT PARTS,SWING BEARING	1				

# GR-300E-2-00101 4 BOOM + 2 JIB, 2M2D

Pos No.	Parts No	Parts Name	Qty	Unit	Technical Data	Serial No (Start)
1	34621038010	FRAME ASSY	1			
	34621038011	FRAME ASSY	1			561748
2	(*****)	SWING FRAME ASSY	1			
3	(*****)	OUTER COVERING ASSY (SWING FRAME)	1			
4	(*****)	WEIGHT	1			
5	(*****)	MOUNT ASSY (SWING FRAME PRE-WELDED PARTS)	1			

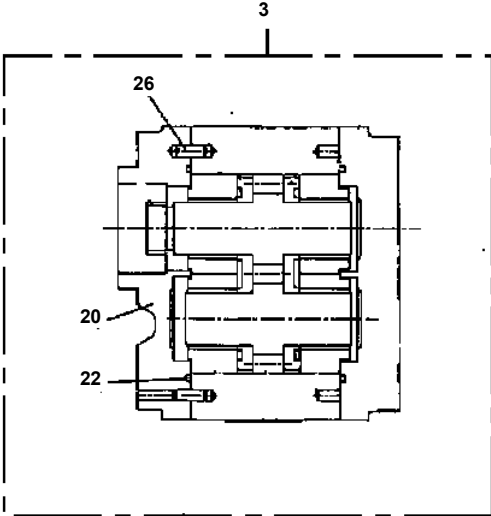
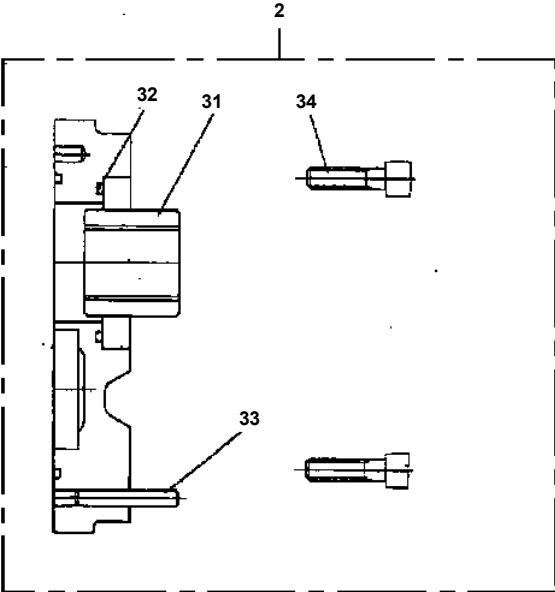
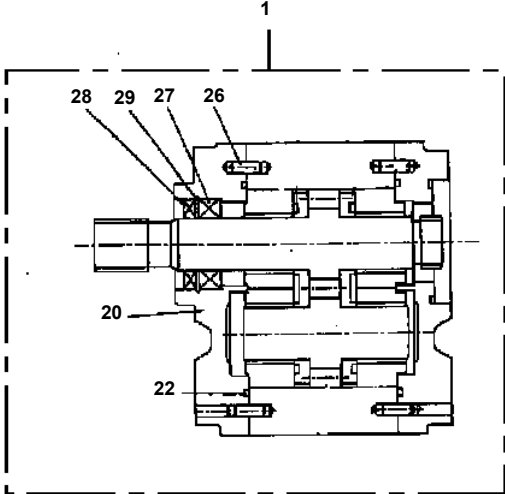
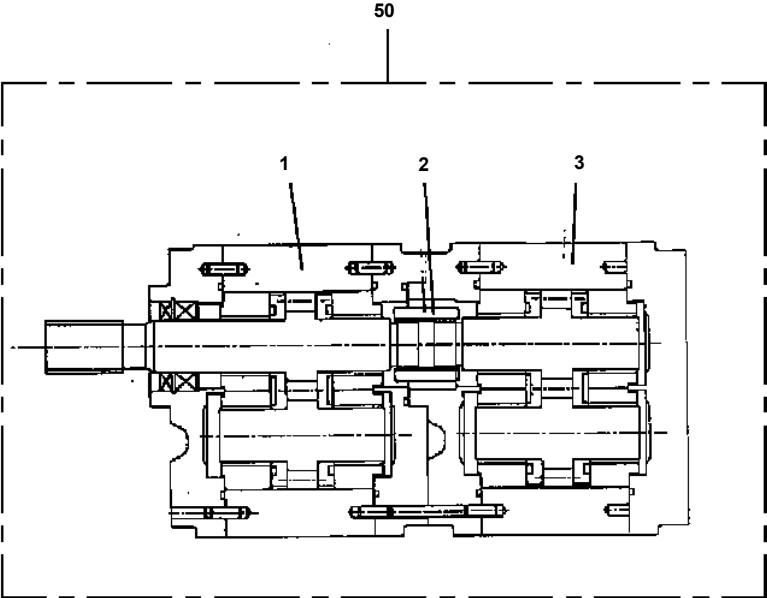
## GR-300E-2-00101 4 BOOM + 2 JIB, 2M2D

Pos No.	Parts No	Parts Name	Qty	Unit	Technical Data	Serial N
1	(*****)	ELEC.ASSY (SWING FRAME,BOOM)	1			
2	(*****)	ELEC.ASSY (LOWER)	1			
3	(*****)	ELEC.ASSY (ENGINE)	1			
4	(*****)	ELEC.ASSY (TELESCOPING/AUX.WINCH SELECT)	1			
5	(*****)	ELEC.ASSY (EMERGENCY MISSION SUB HARNESS/MDT BOX)	1			
6	(*****)	ELEC.ASSY (AML EXTERNAL WARNING LAMP)	1			
7	34931523000	RELAY ASSY (INSIDE MDT BOX)	1			
8	36171350000	CONTROLLER (MDT/UPPER)	1			
9	36171390000	CONTROLLER (LOWER)	1			
10	36171380000	CONTROLLER (DCU)	1			
11	82100002827	BATTERY (GLOBAL & YUASA,130F51)	2			
	37010000010	BATTERY (HYUNDAI ENERCELL)	2			
	34930096000	BATTERY (YUASA,170F51)	2			
	82151213051	BATTERY (PANASONIC,130F51)	2			
12	(*****)	SWITCH ASSY (PRESSURE SWITCH)	1			
13	(*****)	SWITCH ASSY (AML OVERRIDE)	1			
14	36120640000	TRANSMITTER ASSY,SIGNAL (LOWER)	1			
15	(*****)	INDICATOR ASSY (STRAIGHT DRIVING DETECTOR SW)	1			

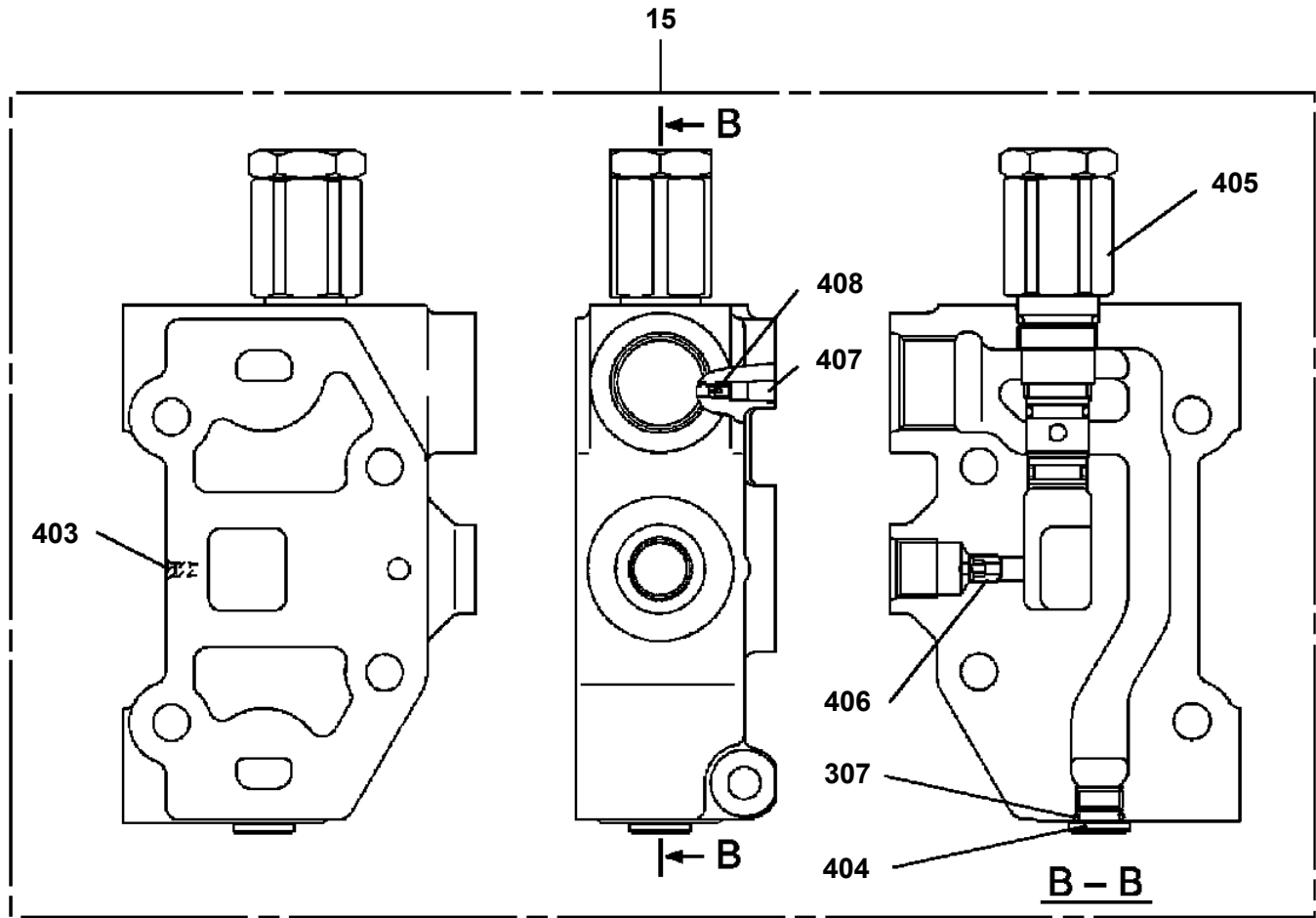
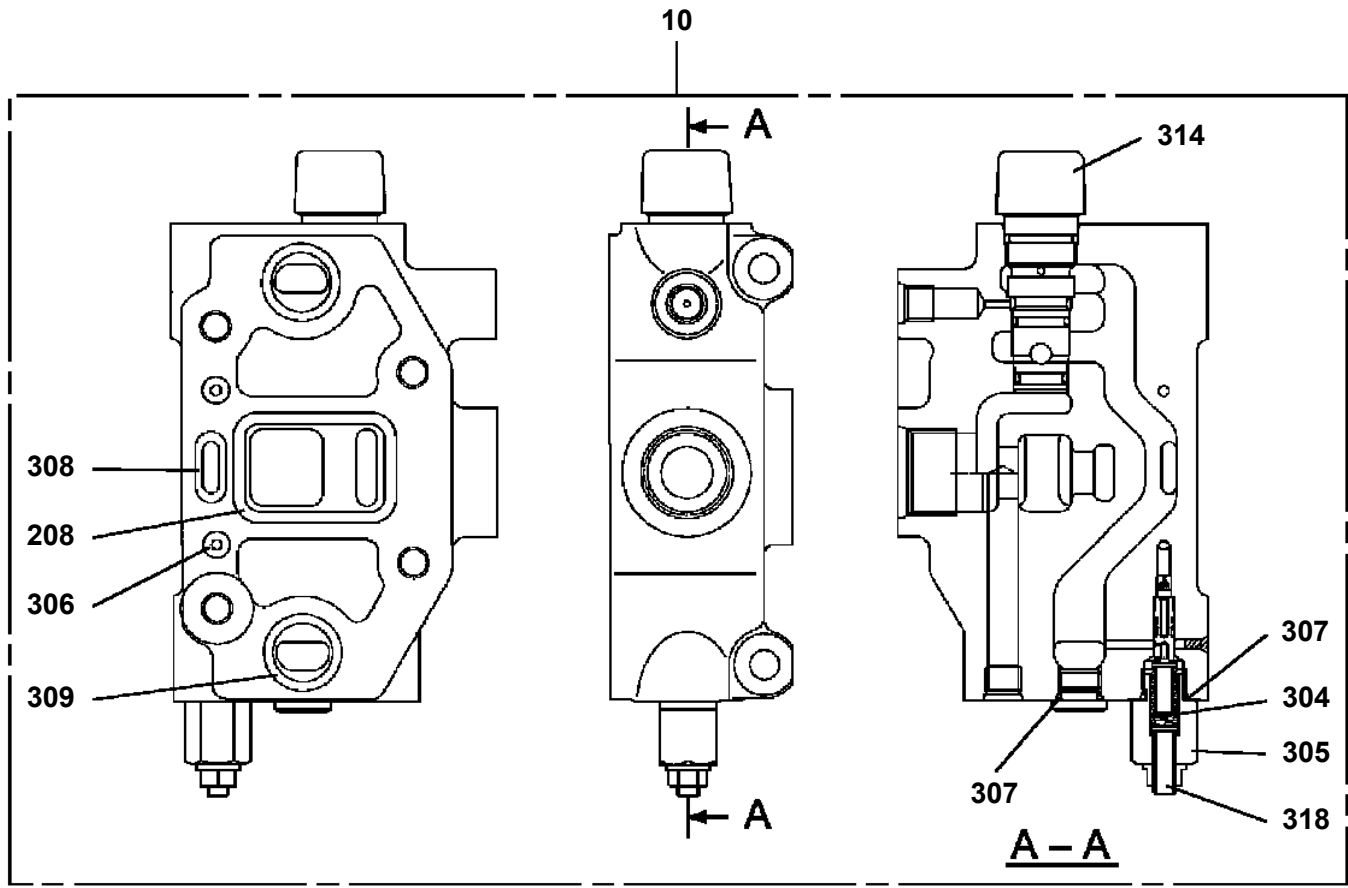
# GR-300E-2-00101 4 BOOM + 2 JIB, 2M2D

Pos No.	Parts No	Parts Name	Qty	Unit	Technical Data	Serial No (Start)	Serial No (End)
1	(*****)	COVER ASSY,ENGINE	1				
2	(*****)	COVER ASSY,ENGINE (RADIATOR)	1				
3	(*****)	OUTER COVERING ASSY (FENDERINT)	1				56
	(*****)	OUTER COVERING ASSY (FENDER/NONSLIP PAINT)	1				56
	(*****)	OUTER COVERING ASSY (FENDER)	1			561748	
	(*****)	OUTER COVERING ASSY (FENDER/NON-SLIP PAINT)	1			561748	
4	(*****)	TANK SUPPORT	1				
5	(*****)	MOUNT ASSY,BATTERY	1				
6	(*****)	MOUNT ASSY (WIRE)	1				
7	(*****)	MIRROR ASSY	1			561748	
8	(*****)	MOUNT ASSY (NON-SLIP)	1				56
	(*****)	MOUNT ASSY (NON-SLIP)	1			561725	

GR-300E-2-00101 4 BOOM + 2 JIB, 2M2D  
PB1100148-01 PUMP, HYDRAULIC



GR-300E-2-00101 4 BOOM + 2 JIB, 2M2D  
PB1350031-00 VALVE,PILOT OPERATED CONTROL



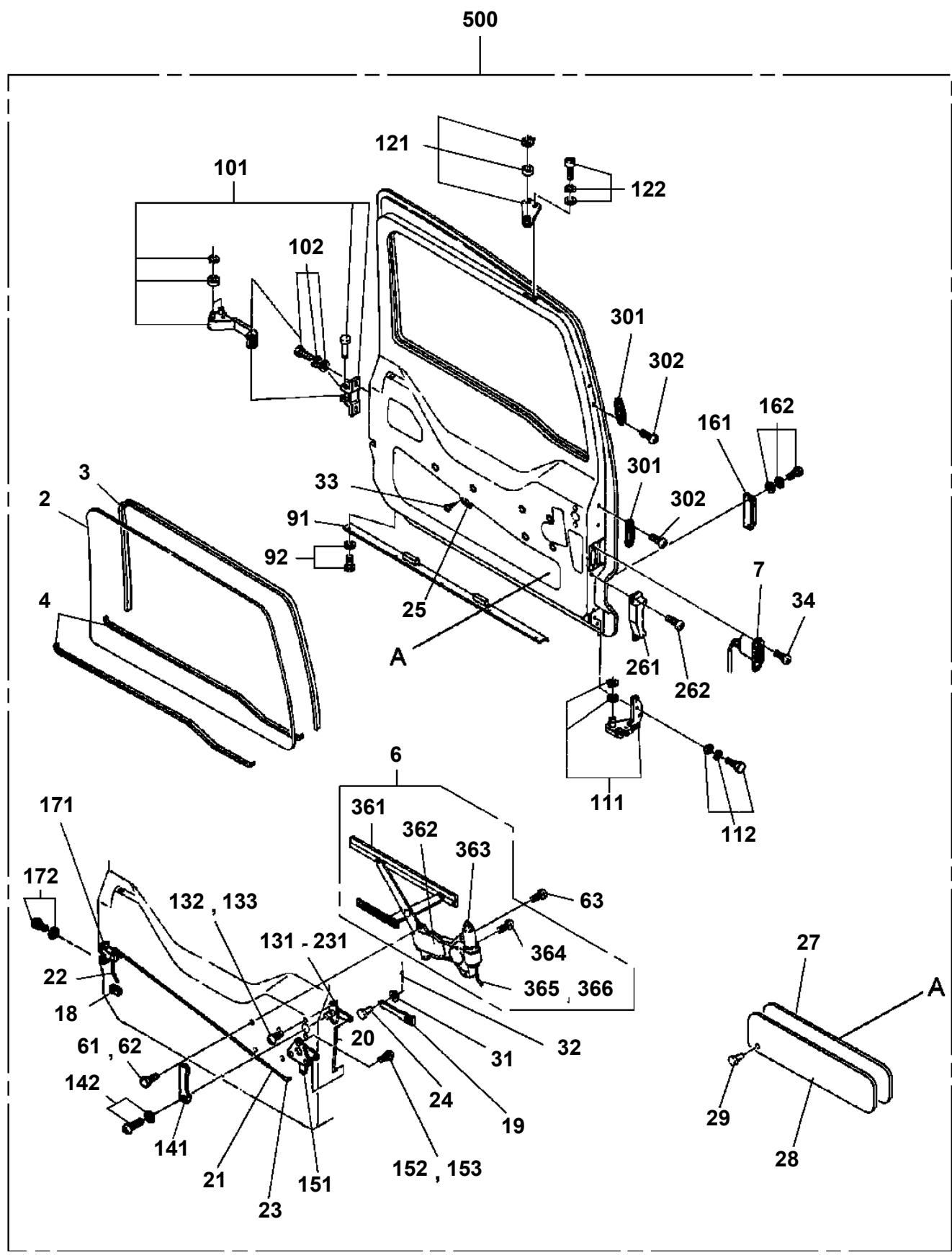
# GR-300E-2-00101 4 BOOM + 2 JIB, 2M2D

Pos No.	Parts No	Parts Name	Qty	Unit	Technical Data	Serial No (Start)	Serial No (End)	Remarks	Pages
100	91990151000	BOX,TOOL	1						

# GR-300E-2-00101 4 BOOM + 2 JIB, 2M2D

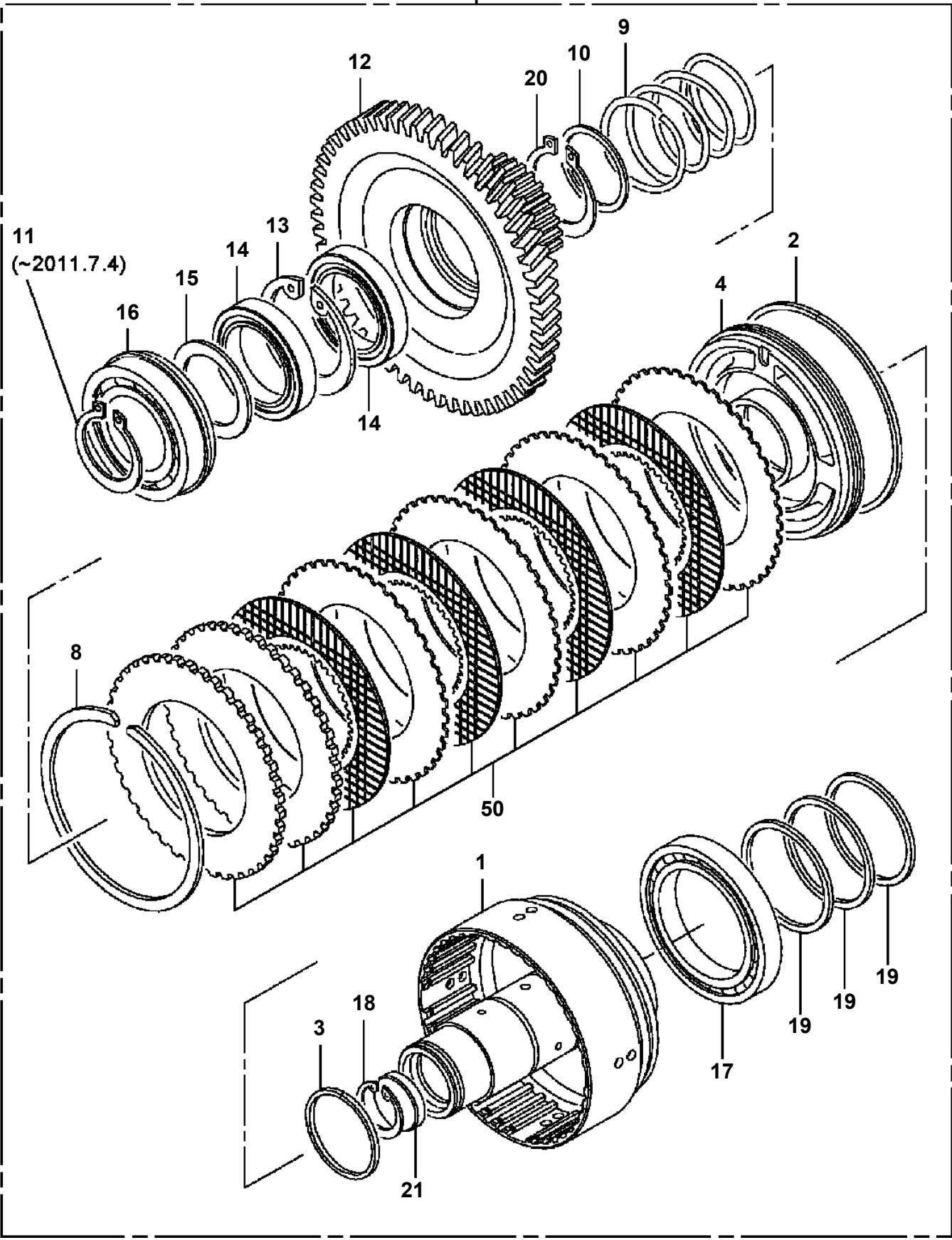
Pos No.	Parts No	Parts Name	Qty	Unit	Technical Data	Serial No (Start)	Serial No (End)	Remarks
1	36131355010	PLATE (BASE)	1					
2	36130885012	DRUM ASSY (BK-002B)	1					
3	36130915020	CASE	1				561699	
	36132615010	CASE	1			561700		
4	36131355030	COVER	1					
5	36130885020	PACKING	1					
6	36131335010	POTENTIOMETER	1					
7	36131335050	GEAR	1					
8	36130915030	SEAL	1					
9	36131215040	BRACKET	1					
10	36131805010	PACKING	1					
11	36131805020	CABLE ASSY	1					
21	36131805030	WIRE ASSY	1		L=2720			
50	36131800000	DETECTOR ASSY,LENGTH	1					

GR-300E-2-00101 4 BOOM + 2 JIB, 2M2D  
PC5010062-01 DOOR ASSY (CAB)



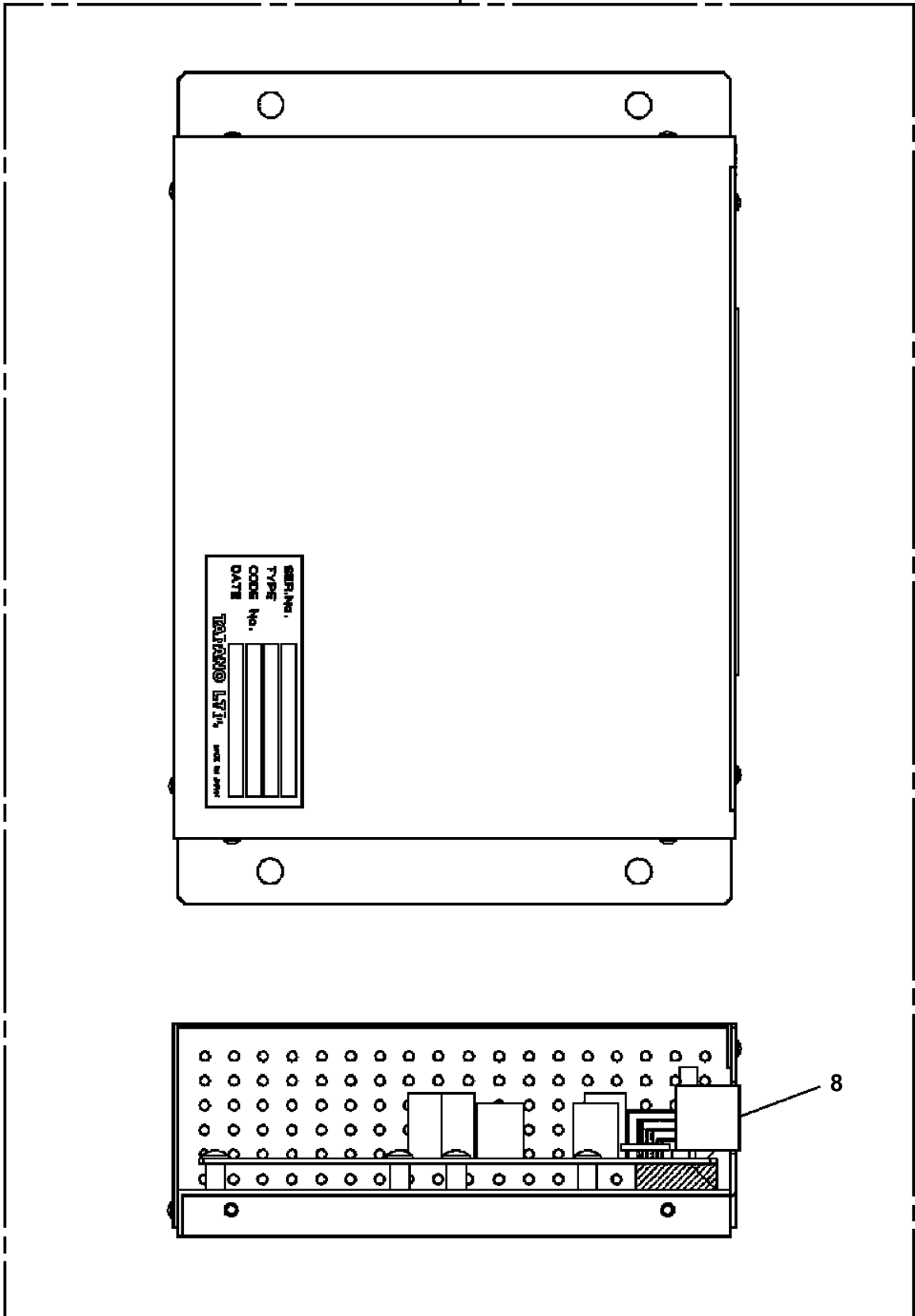
GR-300E-2-00101 4 BOOM + 2 JIB, 2M2D  
PC5320001-01 CLUTCH,POWER TAKE OFF

500

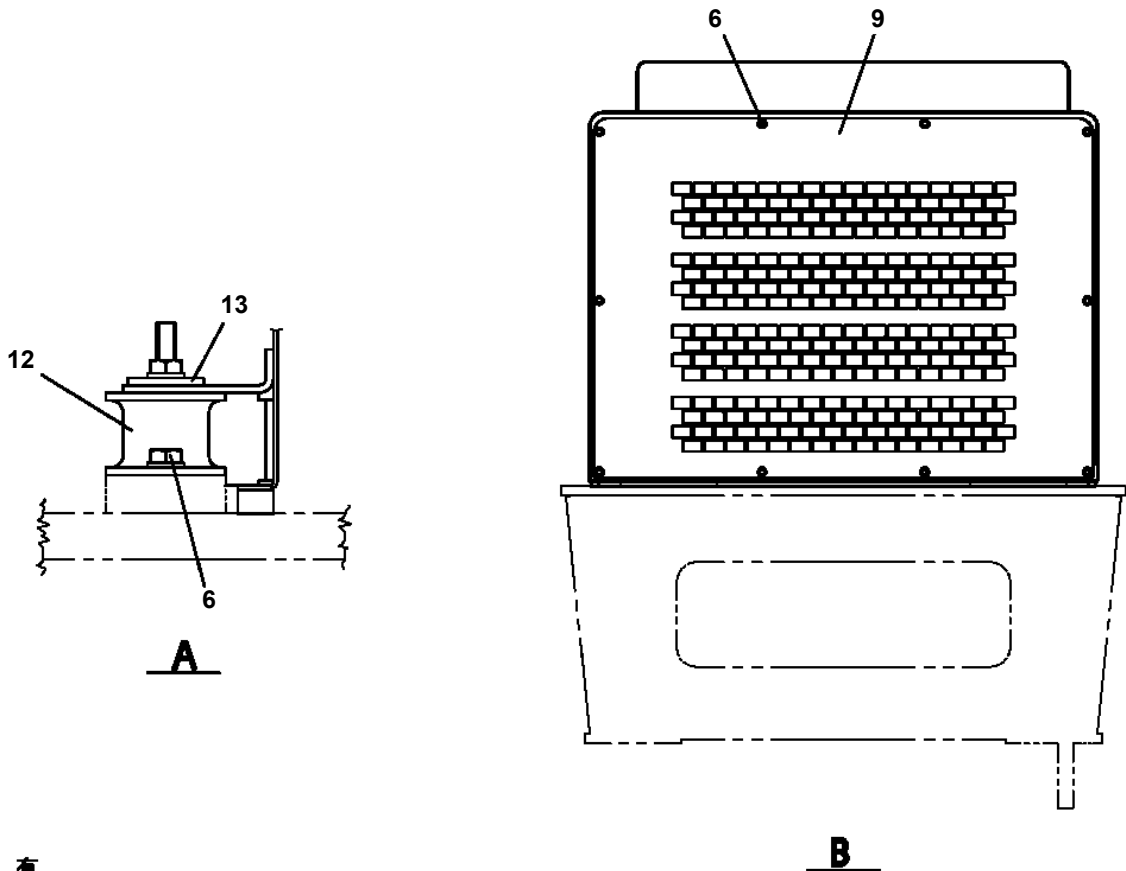
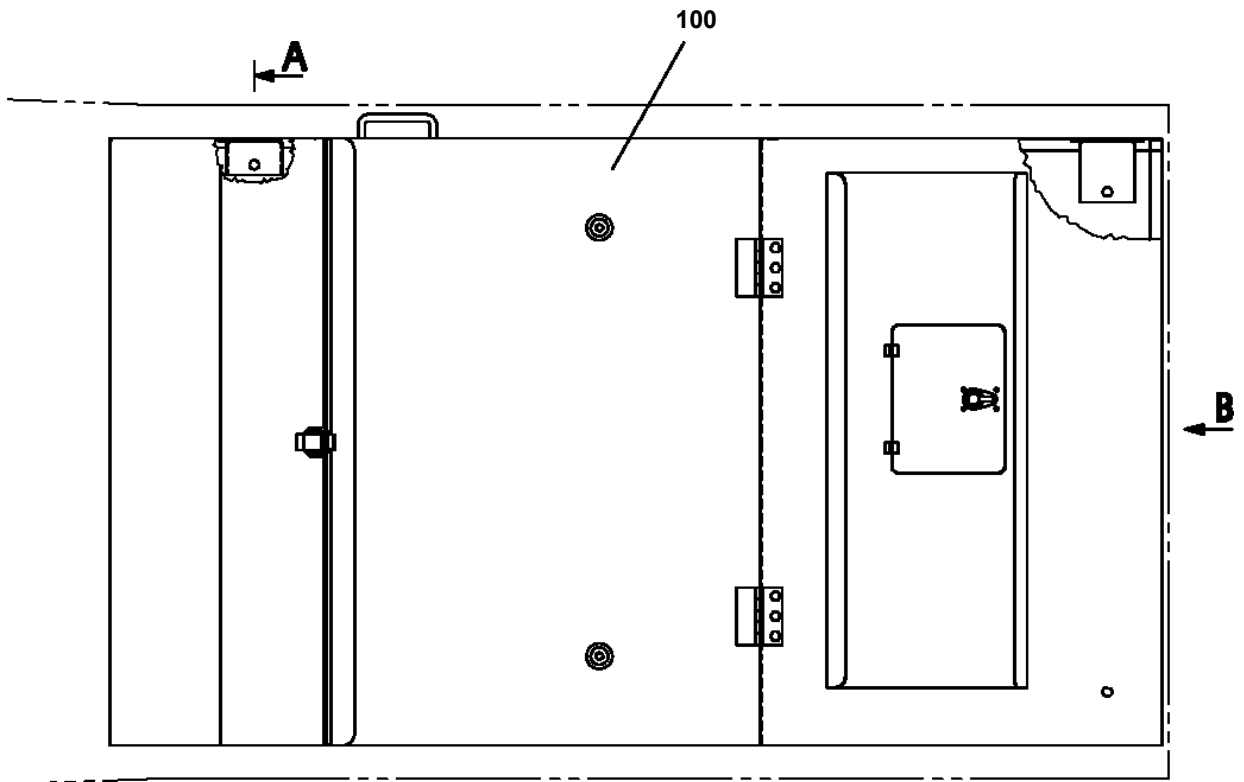


GR-300E-2-00101 4 BOOM + 2 JIB, 2M2D  
PC5420003-00 CONTROLLER (DCU)

100



GR-300E-2-00101 4 BOOM + 2 JIB, 2M2D  
PC5590013-02 COVER ASSY,ENGINE



## GR-300E-2-00101 4 BOOM + 2 JIB, 2M2D

Pos No.	Parts No	Parts Name	Qty	Unit	Technical Data	Serial No (Start)	Serial No (End)
1	36061921000	CYLINDER	1				
2	80136350071	PIN,SPLIT	1				
3	37001600340	NUT	1				
4	36063356000	PISTON	1				
5	91332207500	BEARING,PLAIN	1				
6	91002804000	O-RING	1		1B P40		
7	36061132000	ROD ASSY	1				
8	36061134000	COVER,ROD	1				
9	91002806500	O-RING	1		1B P65		
10	91251100400	RING,DAMPER	1				
11	91694004000	PACKING	1				
12	91410204001	RING,BACKUP	1				
13	91660004001	SEAL,DUST	1				
15	91801301000	CLIP	1				
16	36061133000	BOOT	1				
17	91801300650	CLIP	1		D=60-65		
18	91301104000	BEARING,PLAIN	1				
19	91350307500	PACKING ASSY (PACKING X2+BACKUP RING X2)	1				
41	37000400990	BEARING,PLAIN	2				
51	37000402270	BEARING,PLAIN	2				
70	36063359900	PACKING SET	1		40X75		
100	36063350000	CYLINDER ASSY,STEERING	1				

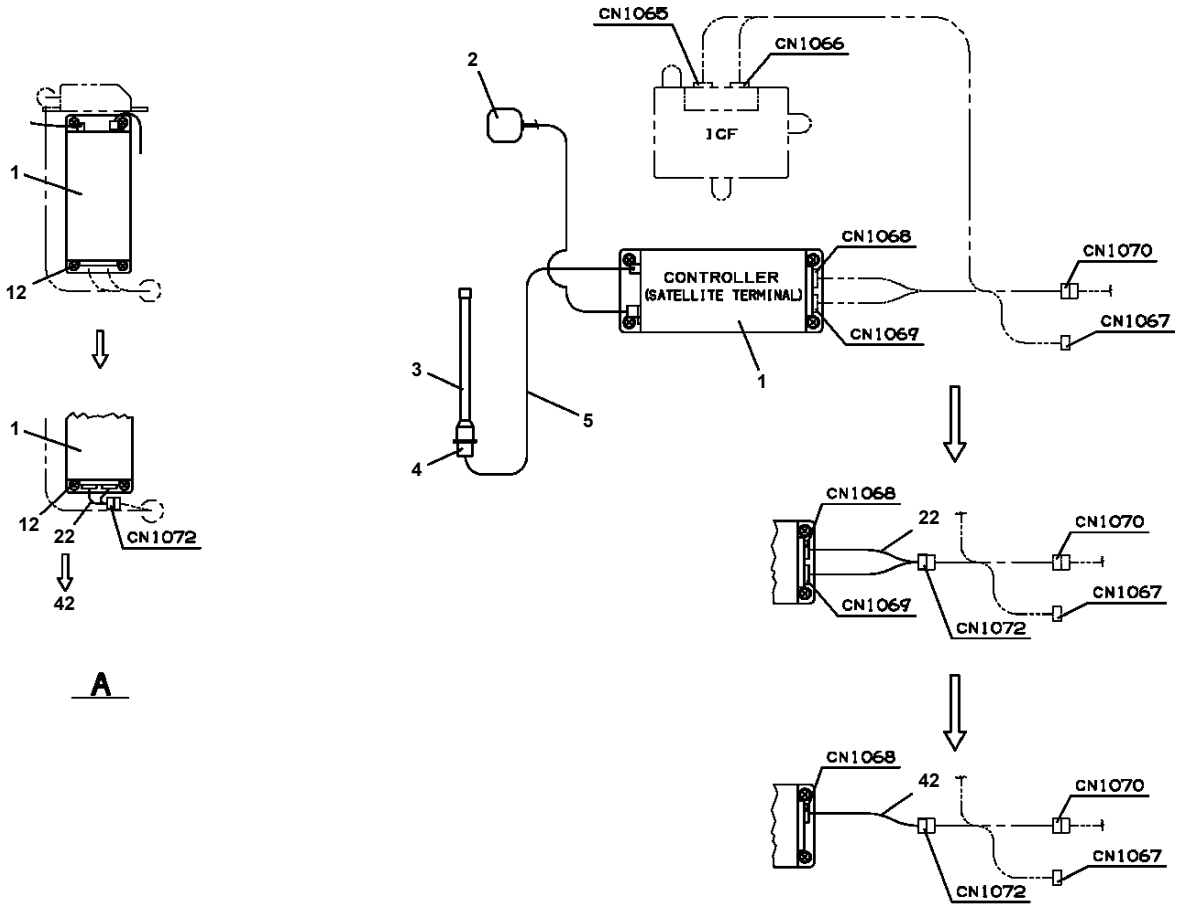
## GR-300E-2-00101 4 BOOM + 2 JIB, 2M2D

Pos No.	Parts No	Parts Name	Qty	Unit	Technical Data	Serial No (Start)	Serial No (End)
1	36131235010	PLATE (BASE)	1				
2	36131905010	CASE	1				
3	36132335010	DRUM ASSY	1				
4	36130515020	RING ASSY (CONTACT)	1				
5	33370025170	CONTACTOR ASSY (70)	1				
6	32360005060	CONTACTOR ASSY	1				
7	36132215020	CASE (BEARING)	2				
11	36132215030	REDUCER	1				
12	36130045090	CLIP (NYLON)	2				
13	36130045050	GEAR	2				
14	36132215040	BRACKET	1				
15	36130945010	POTENTIOMETER	1				
16	36131905020	SPRING	1				
17	36131455040	COVER	1				
18	32360005150	CLIP (NYLON)	1				
19	36131455070	SUPPORT	1				
20	36130235100	CLAMP (CORD)	2				
21	36130015080	GUIDE (CORD)	1				
22	36131455080	COLLAR	3				
23	36130045110	PACKING	1				
24	36131455050	PACKING	1				
25	32360005220	PACKING	2				
26	82114102020	CONNECTOR	1				
27	82114101020	CONNECTOR (2P,MALE)	1				
28	36131935020	LOCK (CORD)	1				
33	36130335030	WASHER	1				
44	36132215050	STOPPER	12				
45	36161385020	CORD	32	M			
46	36132265010	CABLE ASSY (WITH CONNECTOR)	1				
47	82121102020	HOLDER	2				
48	82111101510	TERMINAL	2				
49	82111101010	TERMINAL	2				
50	36131455060	DETECTOR,ANGLE	1				
51	82121101085	PLUG (AVS0.85)	4				
52	36131135060	COLLAR	1				
59	36131905050	COLLAR	3				
60	31370005070	GROMMET	1				
100	36132330001	DETECTOR ASSY,LENGTH (BOOM)	1				

# GR-300E-2-00101 4 BOOM + 2 JIB, 2M2D

Pos No.	Parts No	Parts Name	Qty	Unit	Technical Data	Serial No (Start)	Serial No (End)	Remarks	Pages
2	34510702620	PACKING	1						
3	34510702650	PACKING	1						
100	34510702600	DUCT	1						

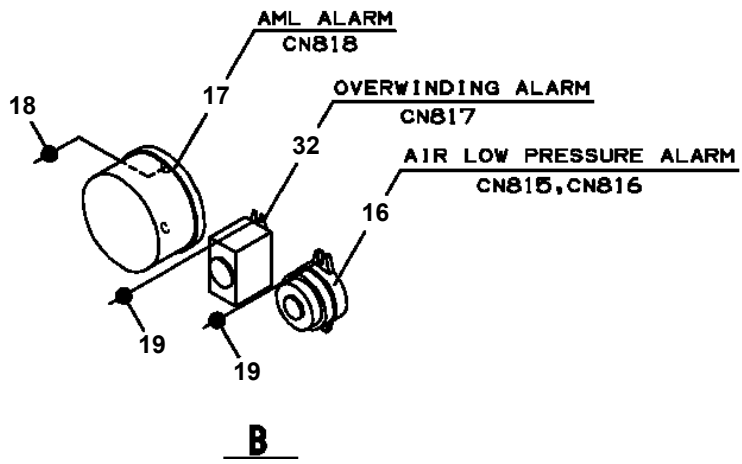
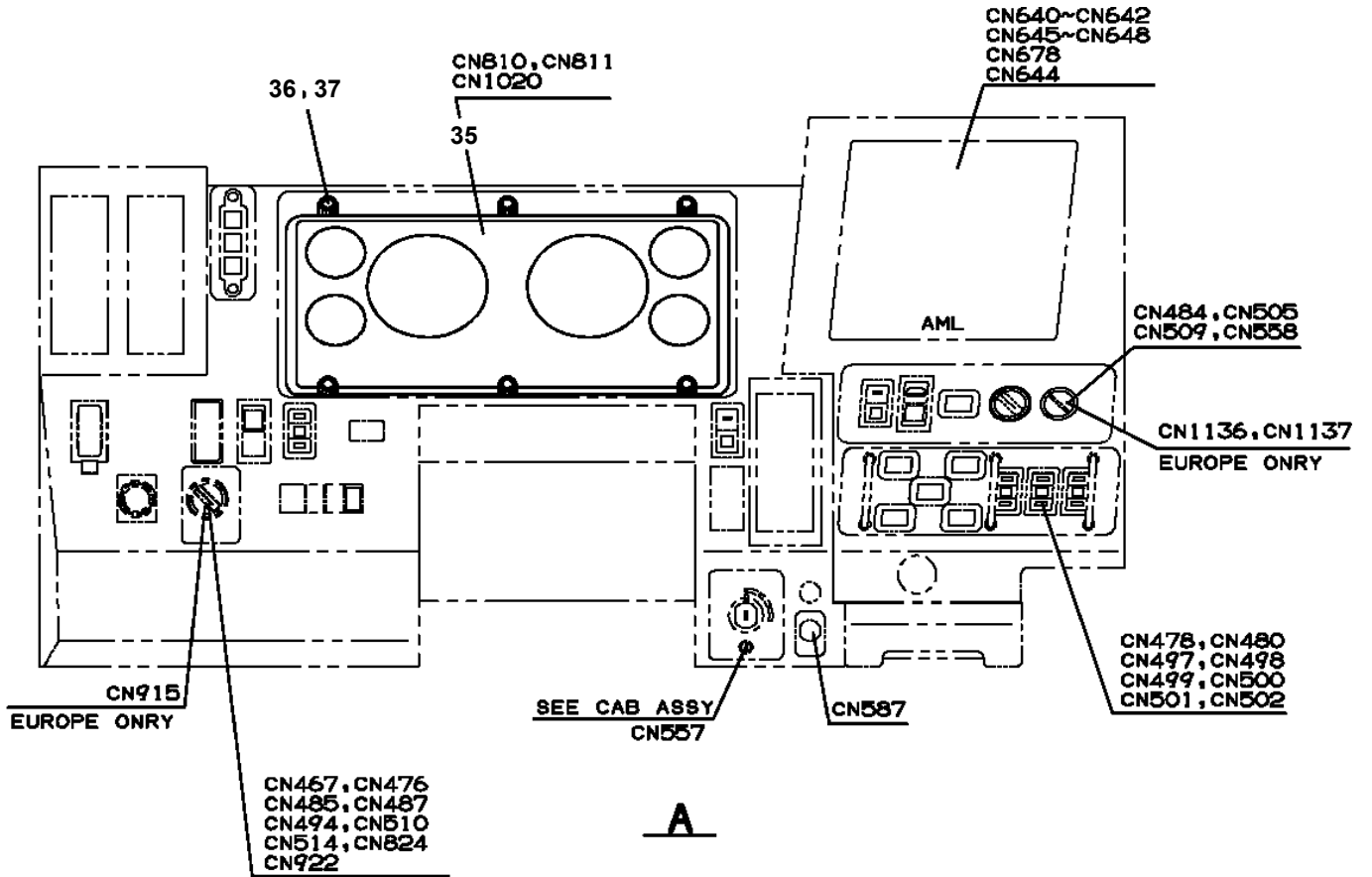
**GR-300E-2-00101 4 BOOM + 2 JIB, 2M2D  
PE5020121-04 ELEC.ASSY (SCT)**



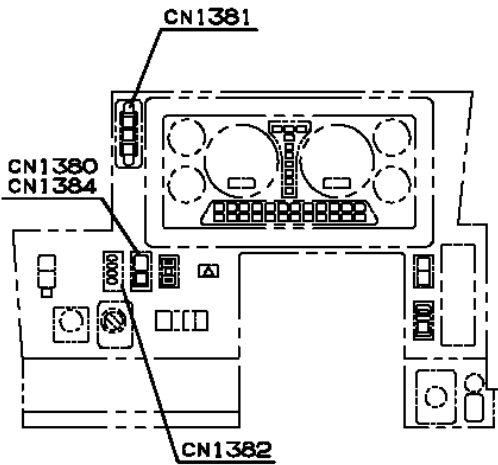
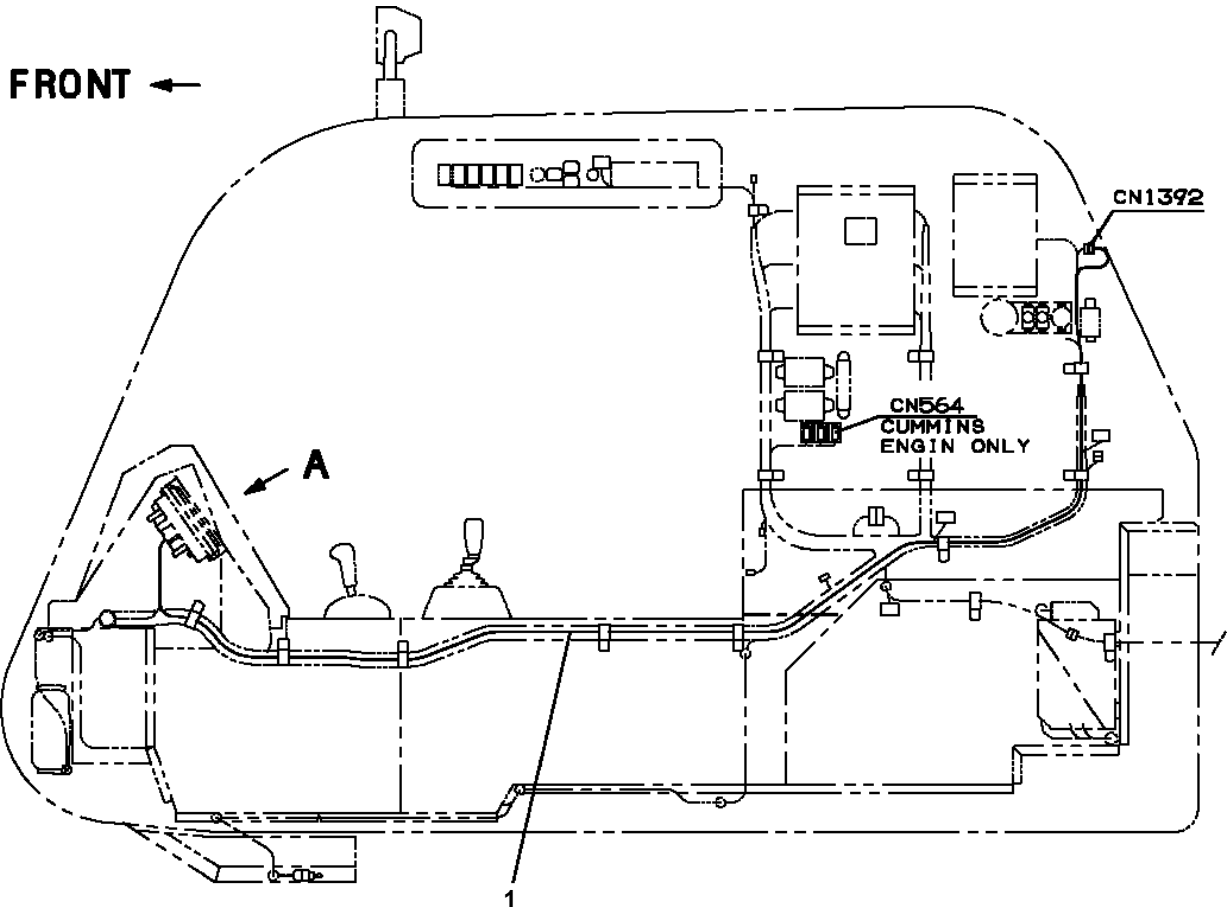
A

DETAIL OF CONNECTION

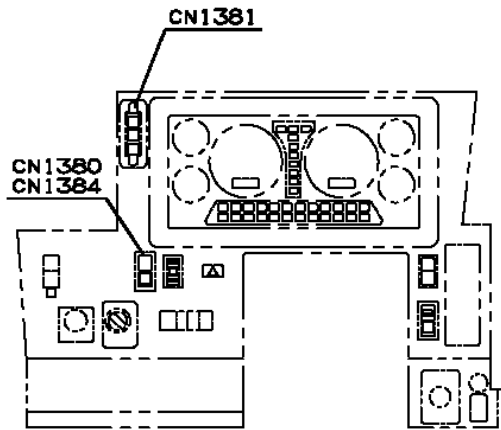
**GR-300E-2-00101 4 BOOM + 2 JIB, 2M2D  
PE5020174-02 ELEC.ASSY (CAB,STD)**



GR-300E-2-00101 4 BOOM + 2 JIB, 2M2D  
PE5020189-00 ELEC.ASSY (DPF)



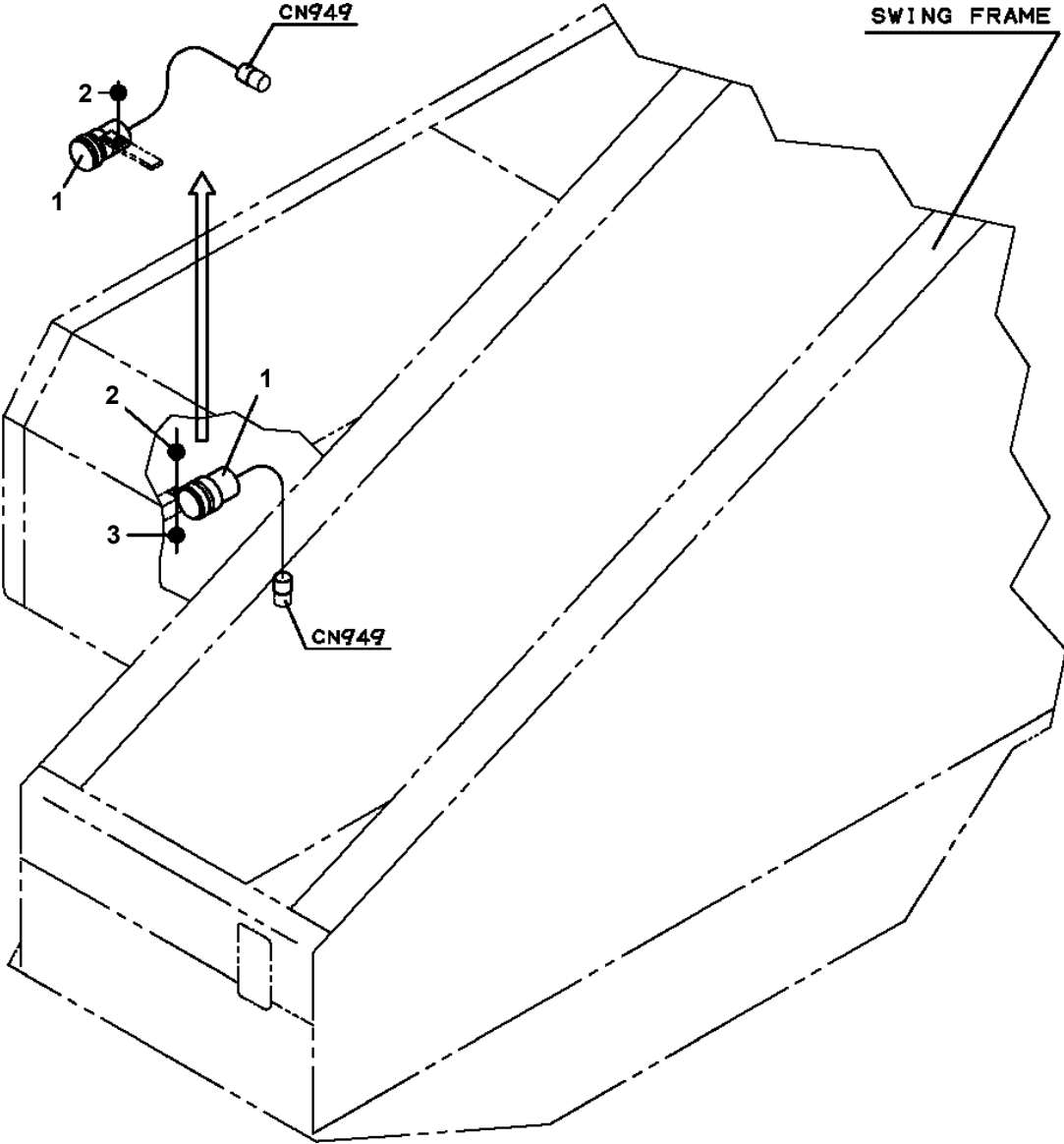
MITSUBISHI:TIER4I ENGINE



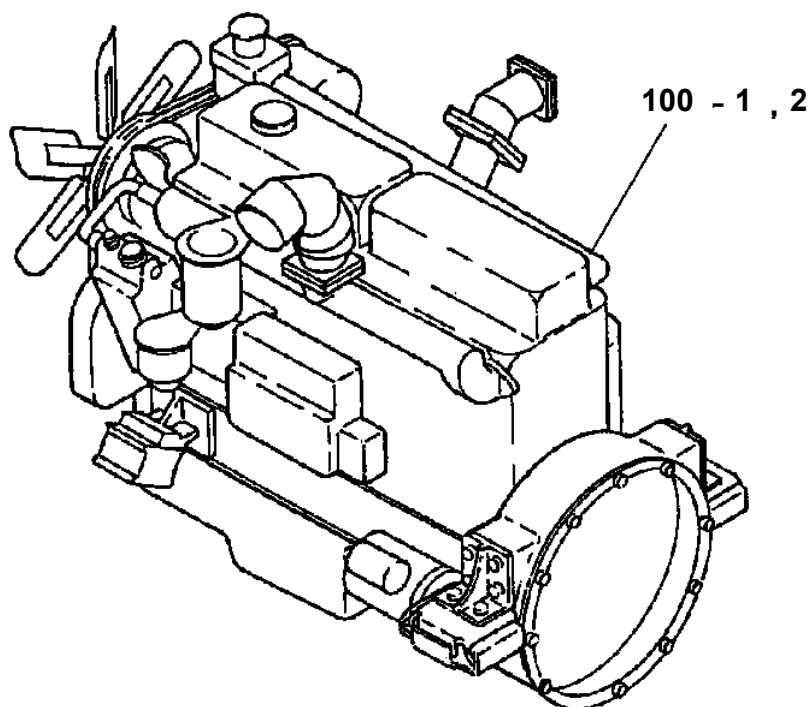
CUMMINS:TIER4I ENGINE

A

GR-300E-2-00101 4 BOOM + 2 JIB, 2M2D  
PE5020262-01 ELEC.ASSY (AML EXTERNAL WARNING LAMP)



**GR-300E-2-00101 4 BOOM + 2 JIB, 2M2D  
PE5210020-01 ENGINE ASSY (CUMMINS)**

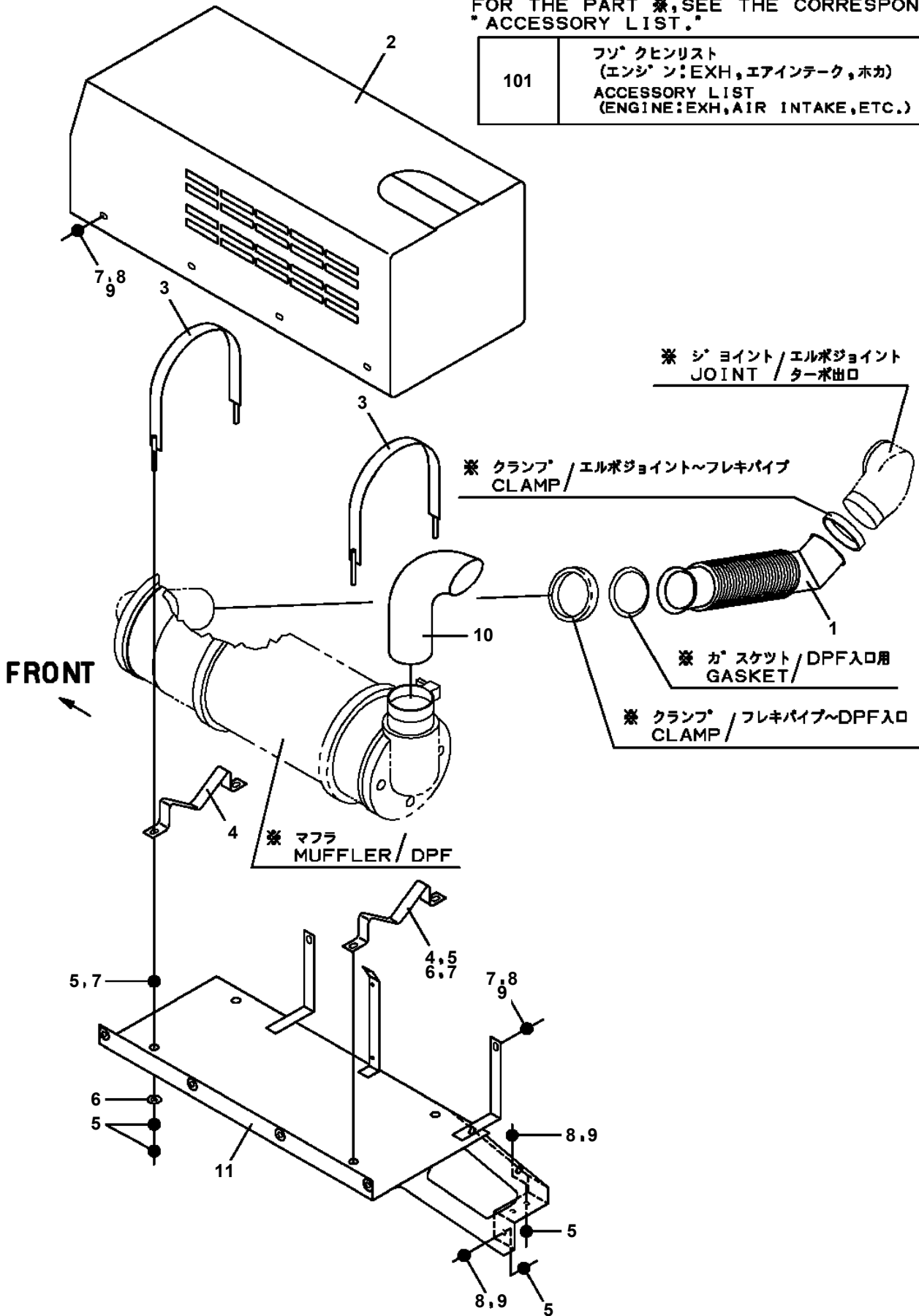


For the parts of the engine, refer to the parts catalog of the engine manufacturer.  
エンジン部品については、エンジンメーカーのパーツカタログをご覧ください。

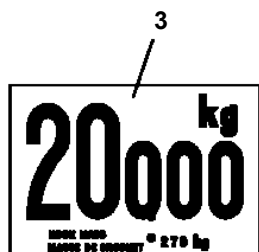
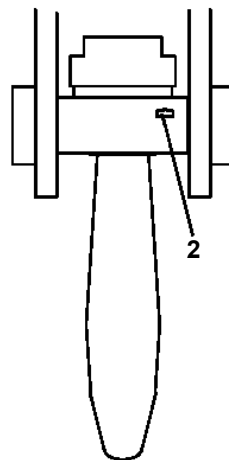
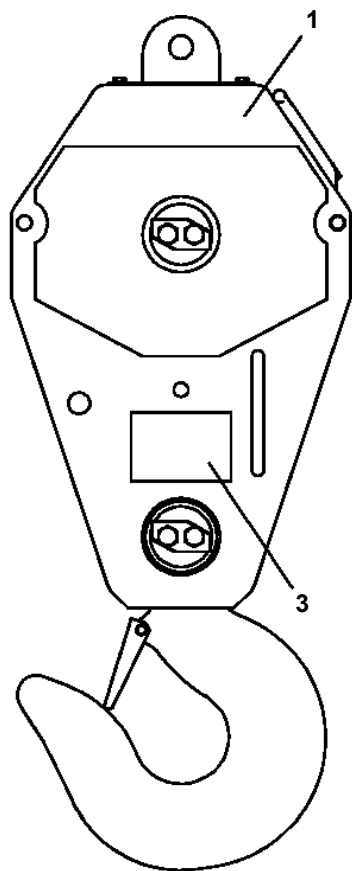
GR-300E-2-00101 4 BOOM + 2 JIB, 2M2D  
PE5230007-01 EXHAUST ASSY

※材は〔付属品リスト〕より検索してください。  
FOR THE PART ※, SEE THE CORRESPONDING  
"ACCESSORY LIST."

101	フジ クヒンリスト (エンジン: EXH, エアインテーク, ホカ) ACCESSORY LIST (ENGINE: EXH, AIR INTAKE, ETC.)
-----	--

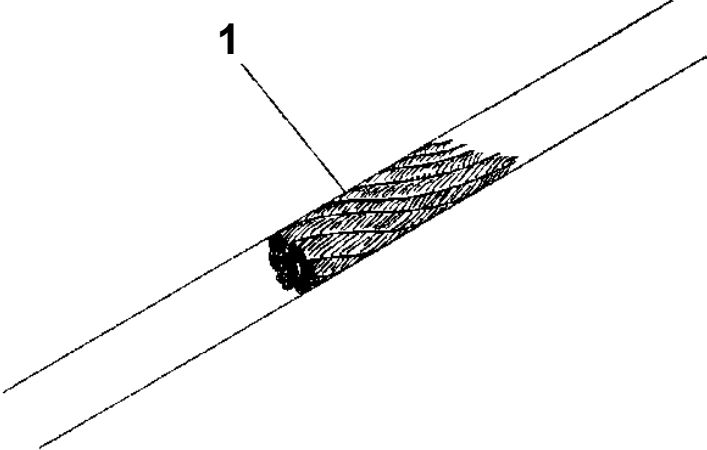


GR-300E-2-00101 4 BOOM + 2 JIB, 2M2D  
PF1050452-02 HOOK (20TON/ENGLISH & FRENCH)

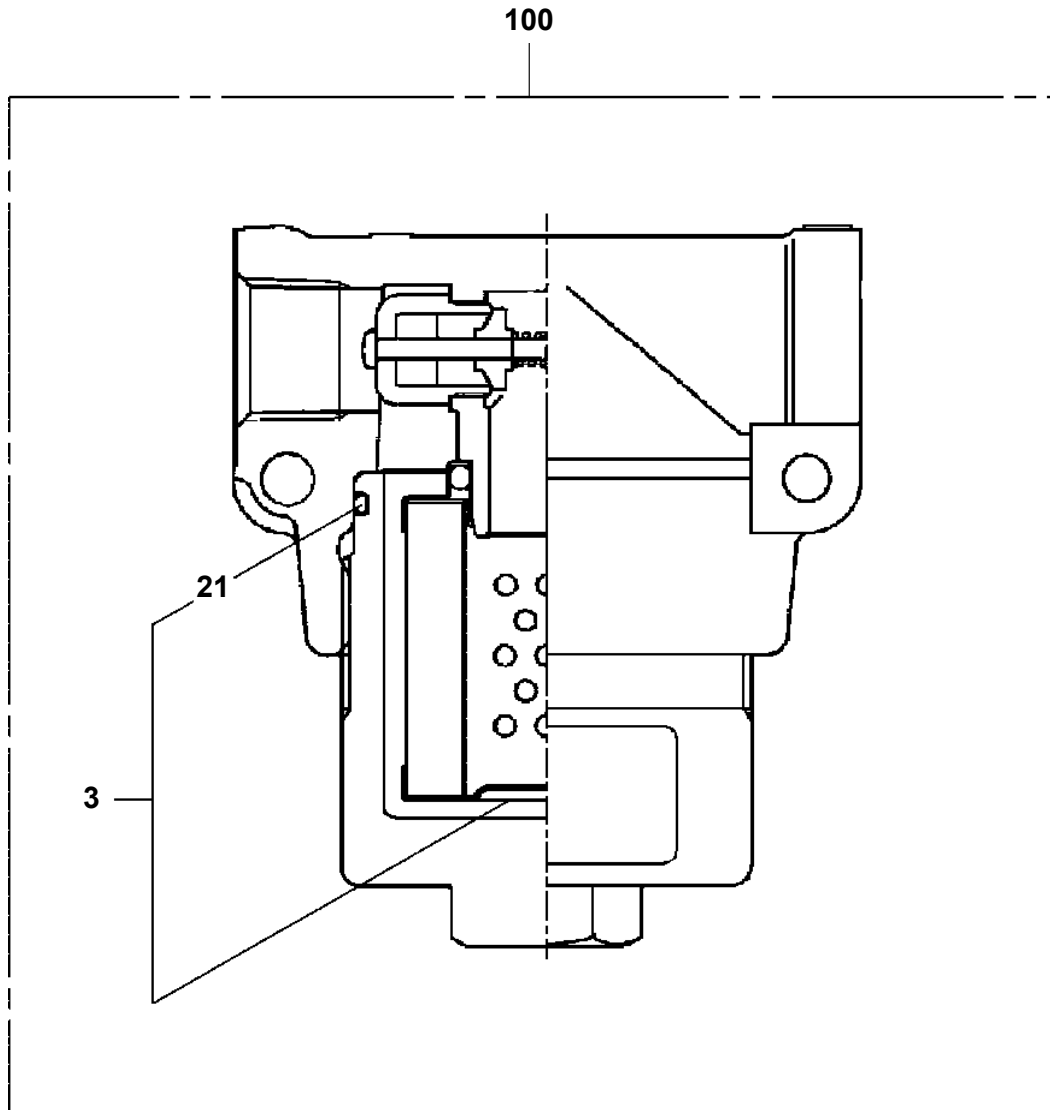


**GR-300E-2-00101 4 BOOM + 2 JIB, 2M2D**  
**PF1070032-00 ROPE,WIRE (TSK)**

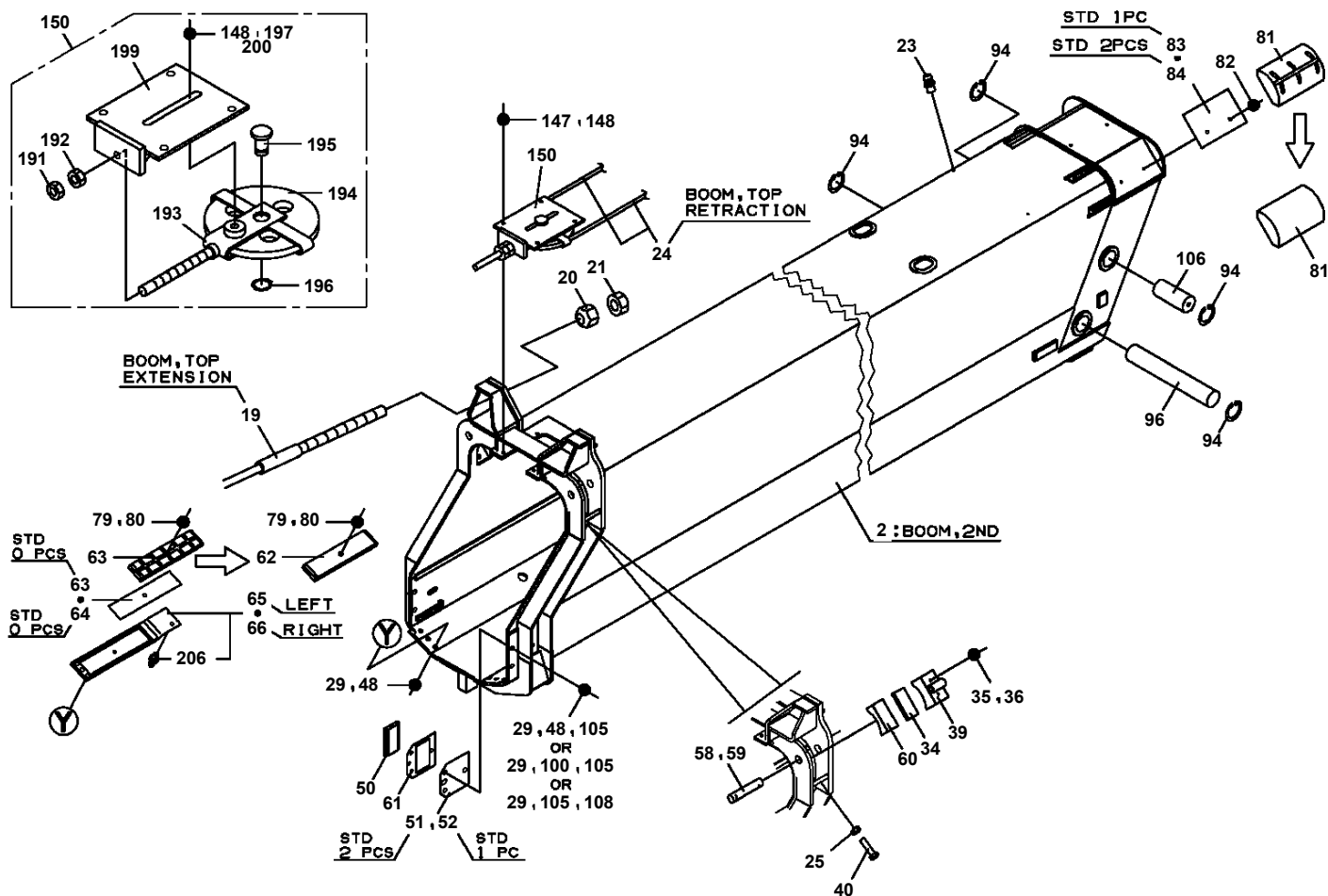
---



GR-300E-2-00101 4 BOOM + 2 JIB, 2M2D  
PF5030011-02 FILTER ASSY (WATER)



**GR-300E-2-00101 4 BOOM + 2 JIB, 2M2D**  
**PG1010857-06 BOOM**



図中の左右の表示は、ブーム後端から先端を見たものです。  
 THE RIGHT AND LEFT IN FIGURE ARE THE EXPRESSION THAT SEES FROM BOOM END TO TOP.

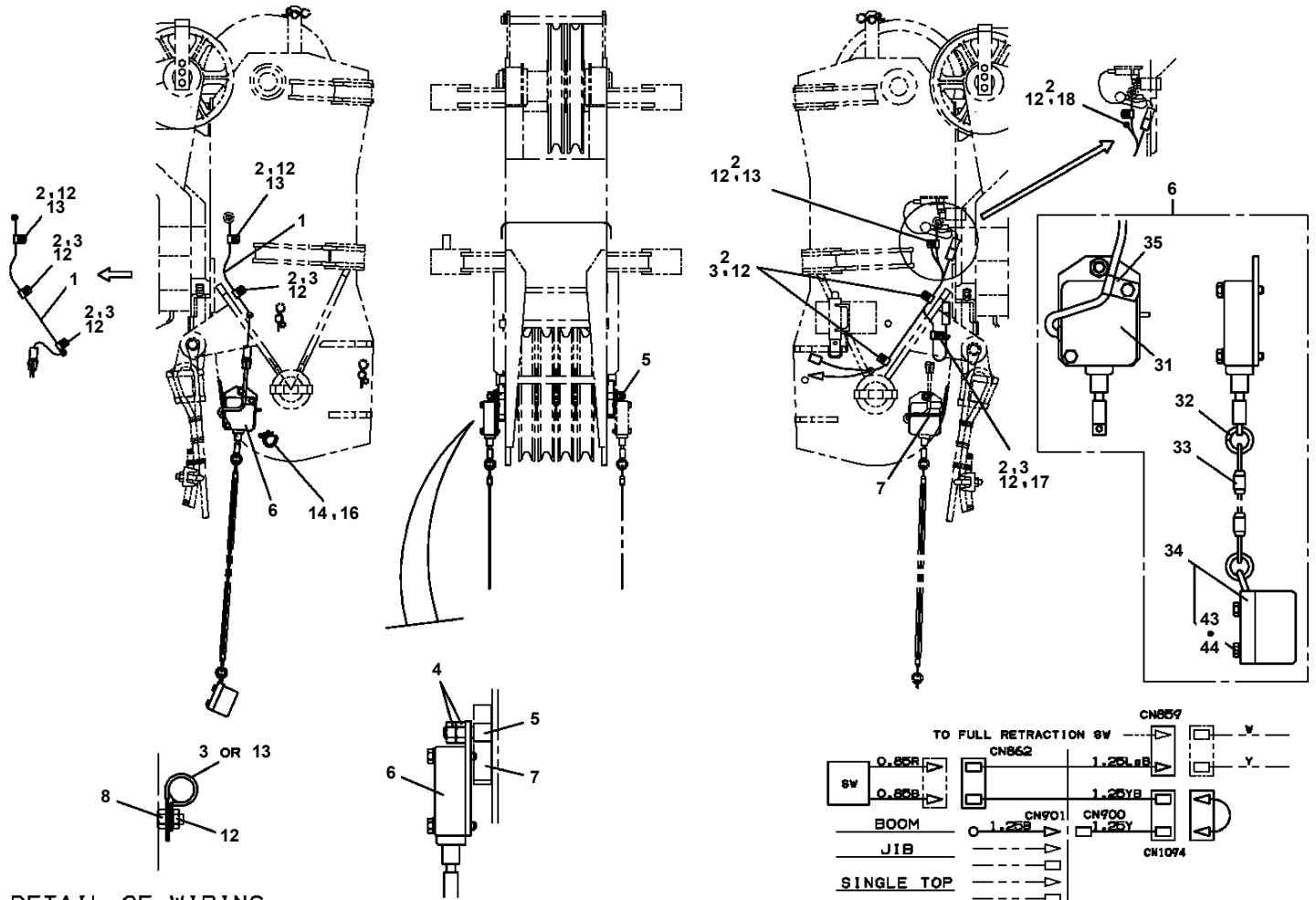
# GR-300E-2-00101 4 BOOM + 2 JIB, 2M2D

Pos No.	Parts No	Parts Name	Qty	Unit	Technical Data	Serial No (Start)	Serial No (End)	Re
1	36017870000	CYLINDER,TELESCOPING (NO.1)	1					
2	36017880000	CYLINDER,TELESCOPING (NO.2)	1					
3	37002455810	HOSE	1		L=560			

## GR-300E-2-00101 4 BOOM + 2 JIB, 2M2D

Pos No.	Parts No	Parts Name	Qty	Unit	Technical Data	Serial No (Start)	Serial No (End)	F
1	36131235010	PLATE (BASE)	1					
2	36131905010	CASE	1					
3	36130045032	DRUM ASSY	1					
4	36130515020	RING ASSY (CONTACT)	1					
5	33370025170	CONTACTOR ASSY (70)	1					
6	33371277520	CONTACTOR ASSY	1					
7	36132005010	CASE (BEARING)	1					
8	36131455030	BEARING	2					
9	80601110150	RING,RITAINING	1		15			
10	80602110320	RING,RITAINING	1		R32			
11	36131495030	REDUCER	1					
13	36130045050	GEAR	2					
14	36130015061	BRACKET	1					
15	36130945010	POTENTIOMETER	1					
16	36131905020	SPRING	1					
17	36131455040	COVER	1					
18	32360005150	CLIP (NYLON)	1					
19	36131455070	SUPPORT	1					
20	36130235100	CLAMP (CORD)	2					
21	36131905030	GUIDE (CORD)	1					
22	36131455080	COLLAR	3					
23	36130045110	PACKING	1					
24	36131455050	PACKING	1					
25	32360005220	PACKING	2					
26	82114102020	CONNECTOR	1					
27	82114101020	CONNECTOR (2P,MALE)	1					
28	36131935020	LOCK (CORD)	1					
33	36130335030	WASHER	1					
45	31370005070	GROMMET	1					
46	36132265010	CABLE ASSY (WITH CONNECTOR)	1					
47	82121102020	HOLDER	2					
48	82111101510	TERMINAL	2					
49	82111101010	TERMINAL	2					
50	36131455060	DETECTOR,ANGLE	1					
51	82121101085	PLUG (AVS0.85)	4					
52	36131135060	COLLAR	1					
60	36131905050	COLLAR	3					
61	36131935100	CORD (2-LINE)	31	M				
100	36132330000	DETECTOR,BOOM LENGTH	1					

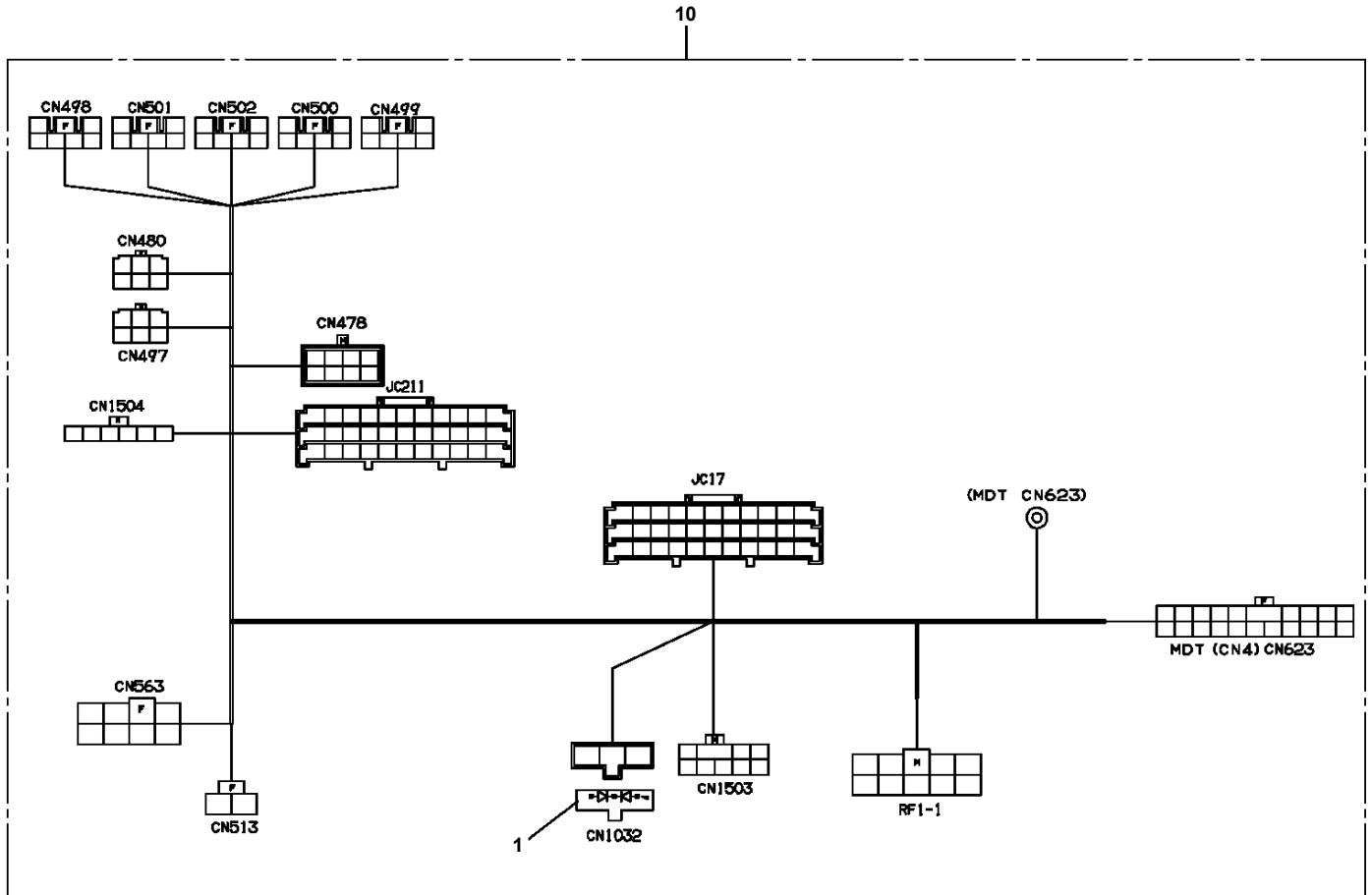
**GR-300E-2-00101 4 BOOM + 2 JIB, 2M2D  
PH1060438-03 DETECTOR, OVER WIND (BOOM)**



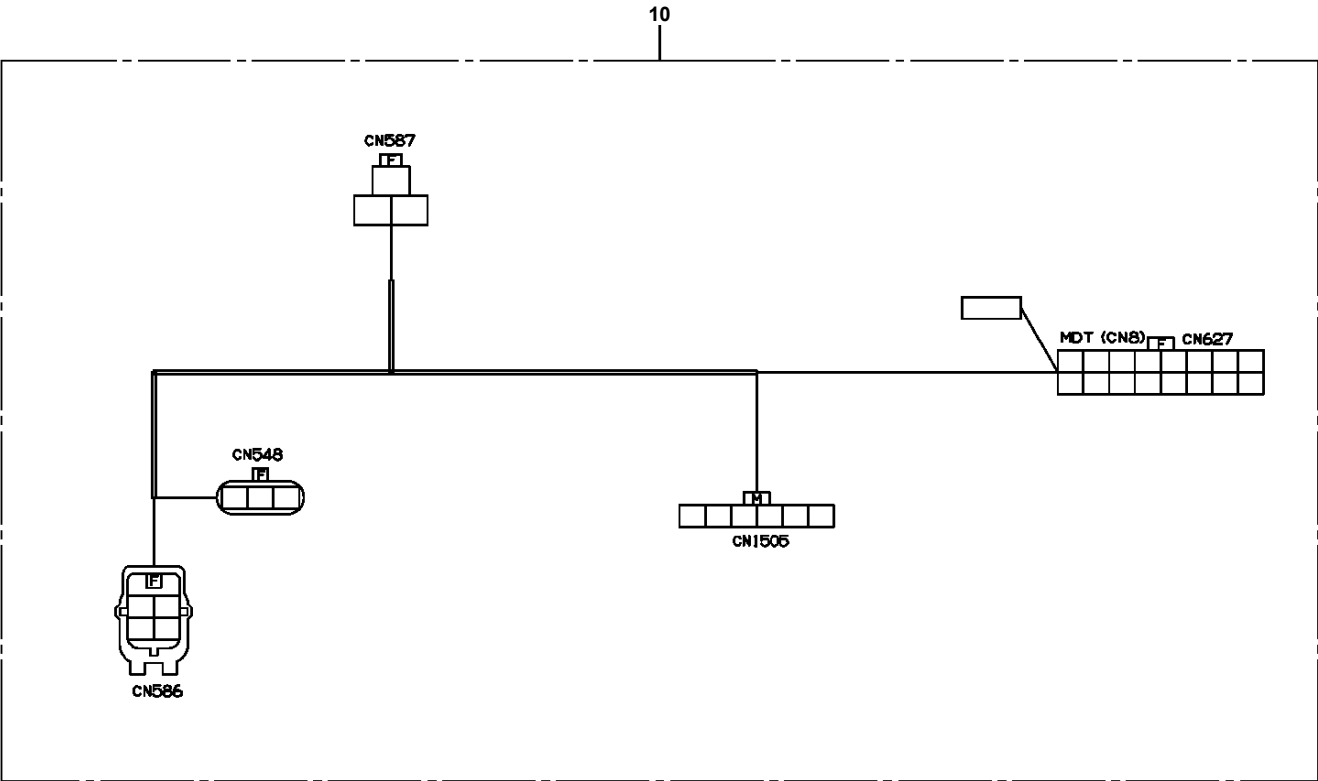
**DETAIL OF WIRING  
CLAMP ON BOOM HEAD  
(7 PLACES)**

**WIRING DIAGRAM**

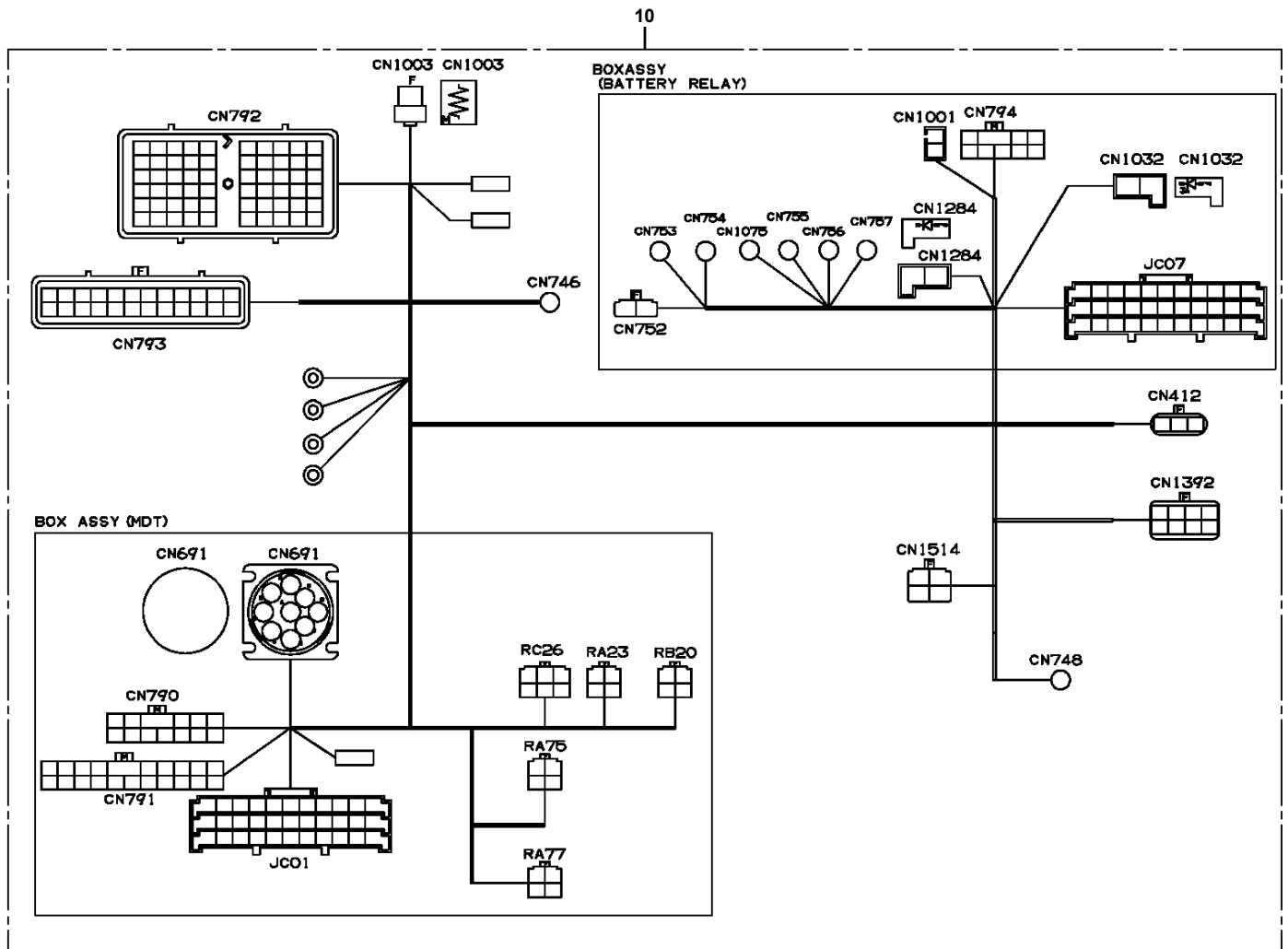
GR-300E-2-00101 4 BOOM + 2 JIB, 2M2D  
PH5030079-00 HARNESS (O/R,T/M,SPRING LOCK)



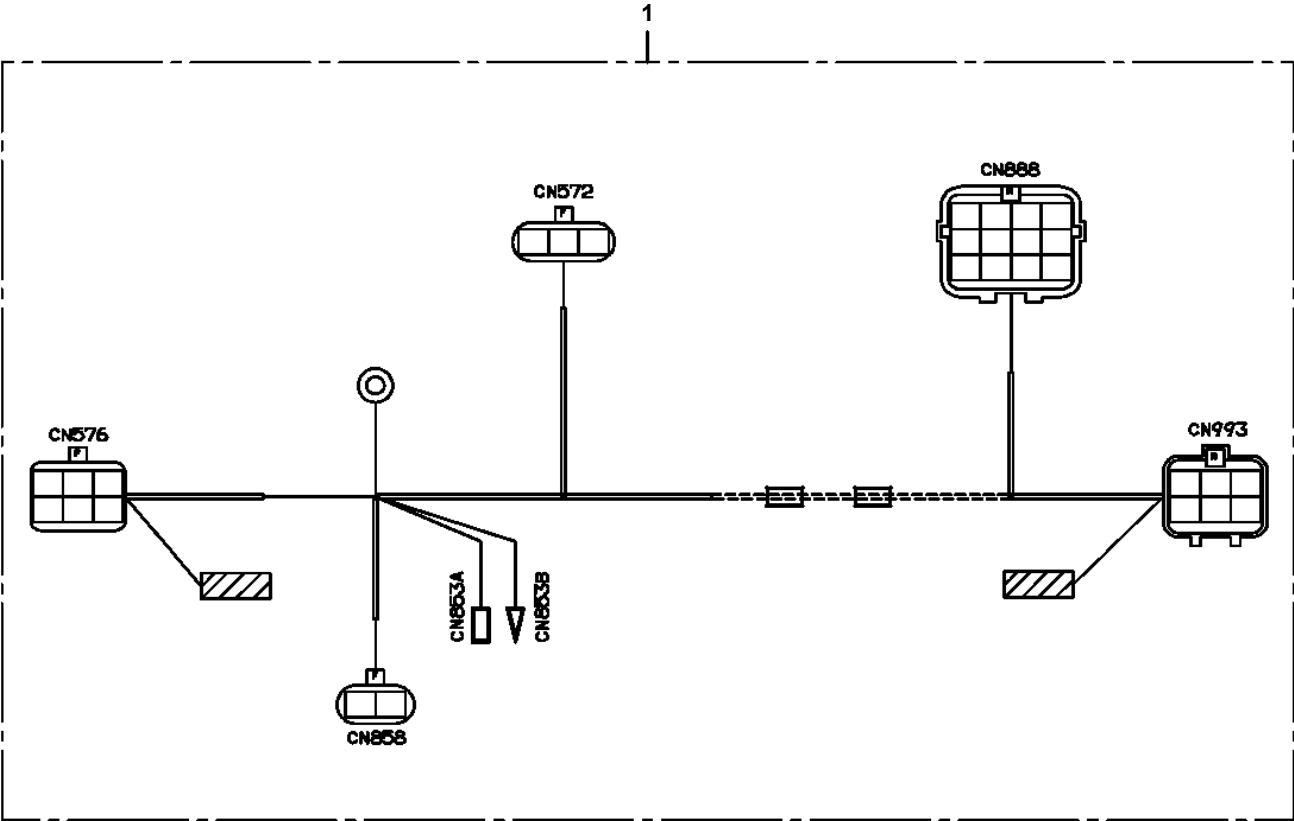
GR-300E-2-00101 4 BOOM + 2 JIB, 2M2D  
PH5030092-00 HARNESS (ACCELERATOR)



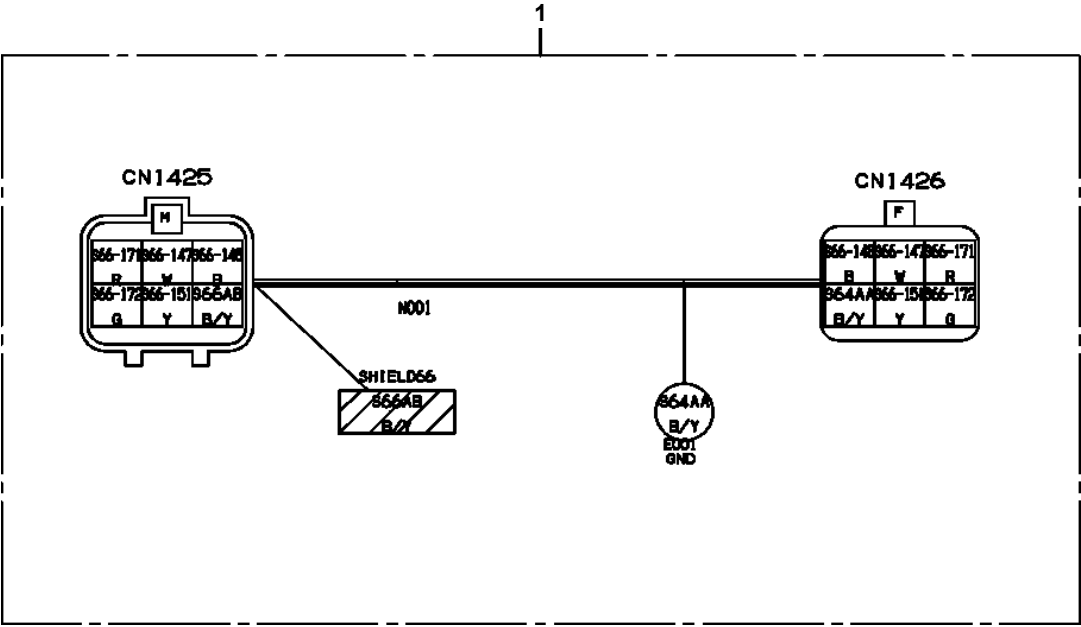
**GR-300E-2-00101 4 BOOM + 2 JIB, 2M2D  
PH5030115-00 HARNESS (ENGINE,WITH DPF)**



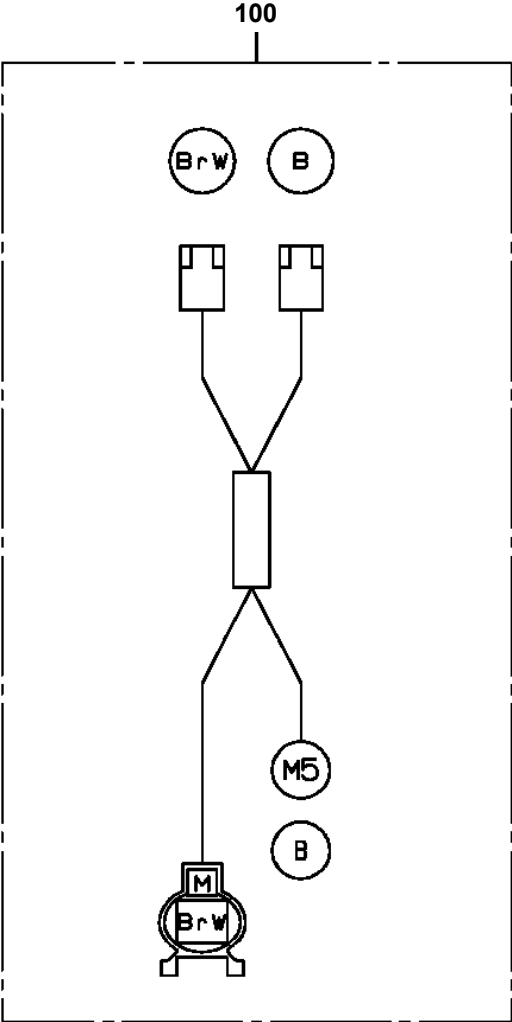
GR-300E-2-00101 4 BOOM + 2 JIB, 2M2D  
PH5030193-00 HARNESS (BOOM)



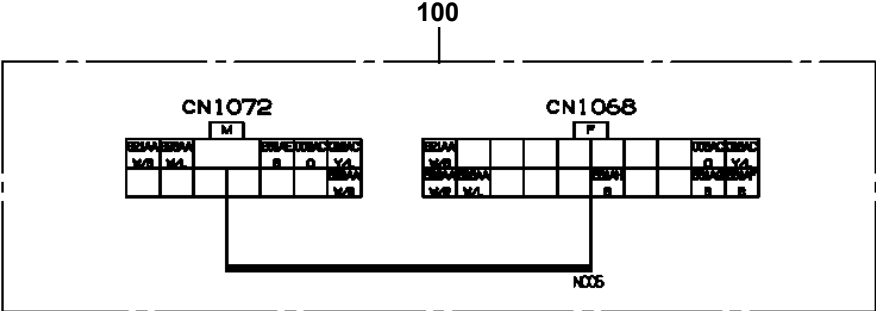
GR-300E-2-00101 4 BOOM + 2 JIB, 2M2D  
 PH5030590-00 HARNESS



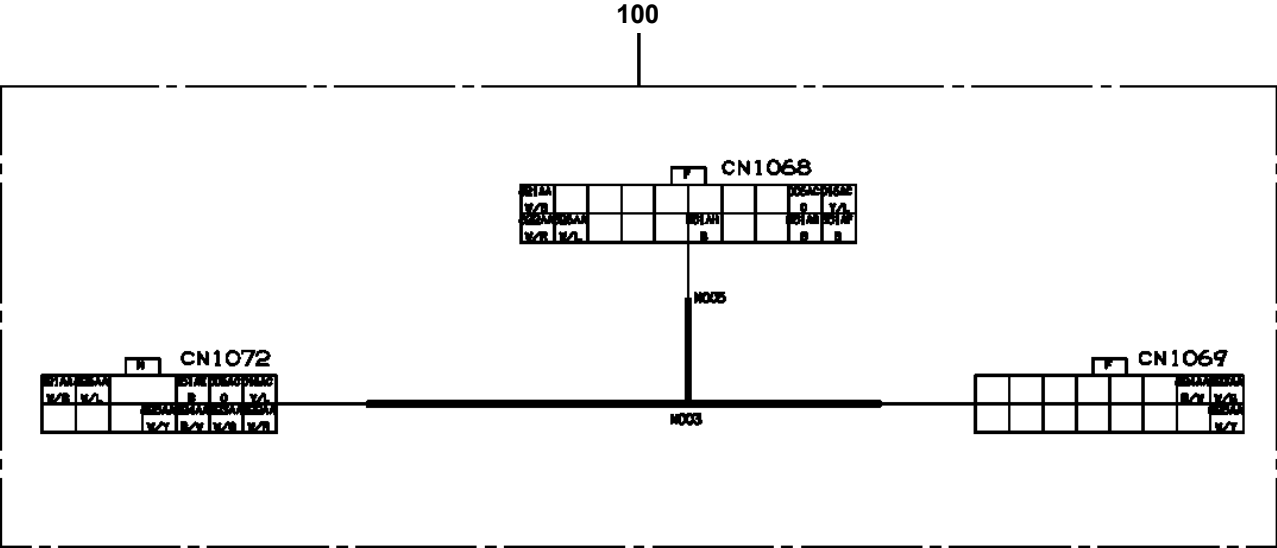
GR-300E-2-00101 4 BOOM + 2 JIB, 2M2D  
PH5031282-00 HARNESS



**GR-300E-2-00101 4 BOOM + 2 JIB, 2M2D  
PH5031896-00 HARNESS (SCT)**

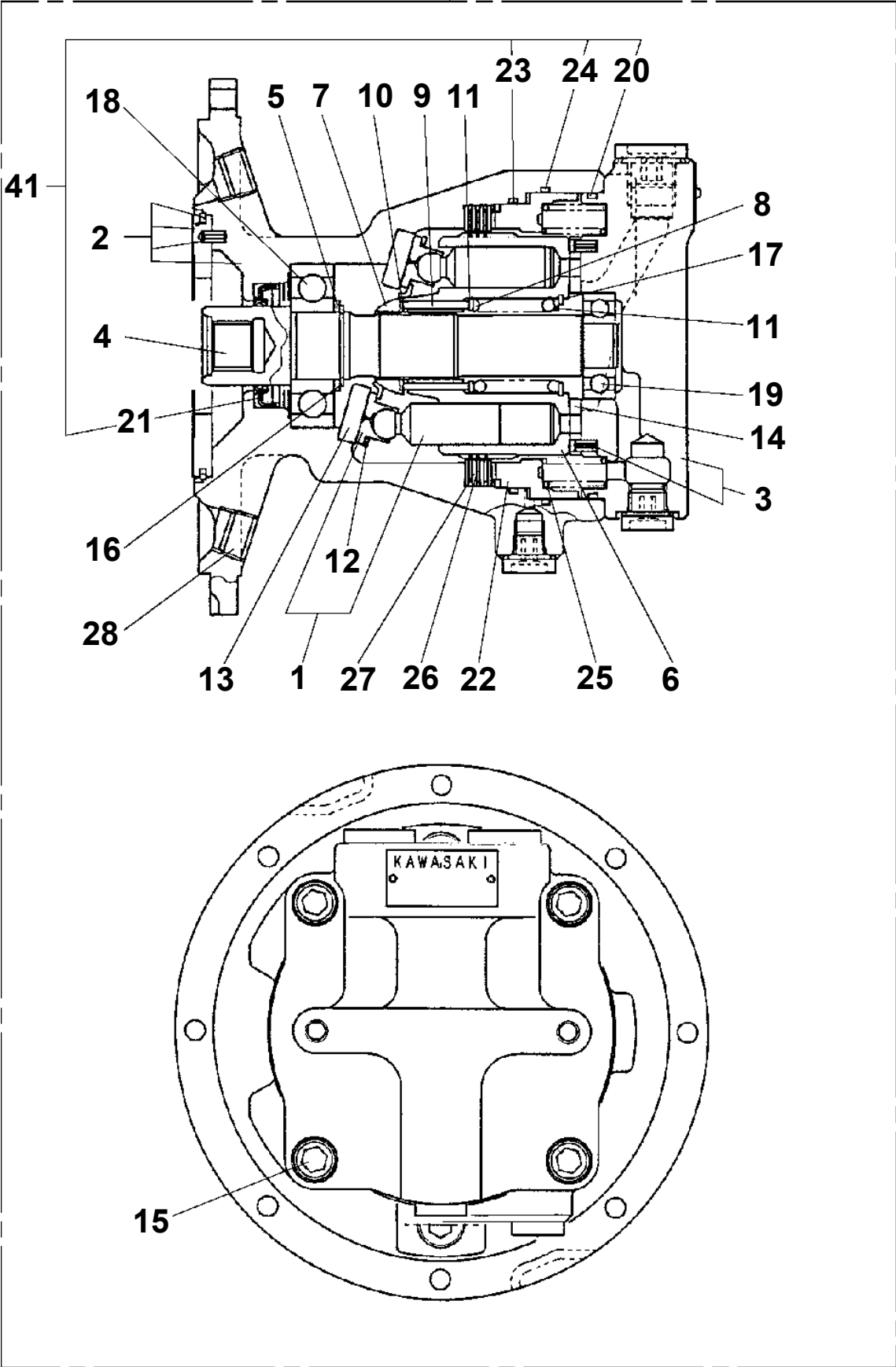


**GR-300E-2-00101 4 BOOM + 2 JIB, 2M2D  
PH5033783-00 HARNESS (SCT)**

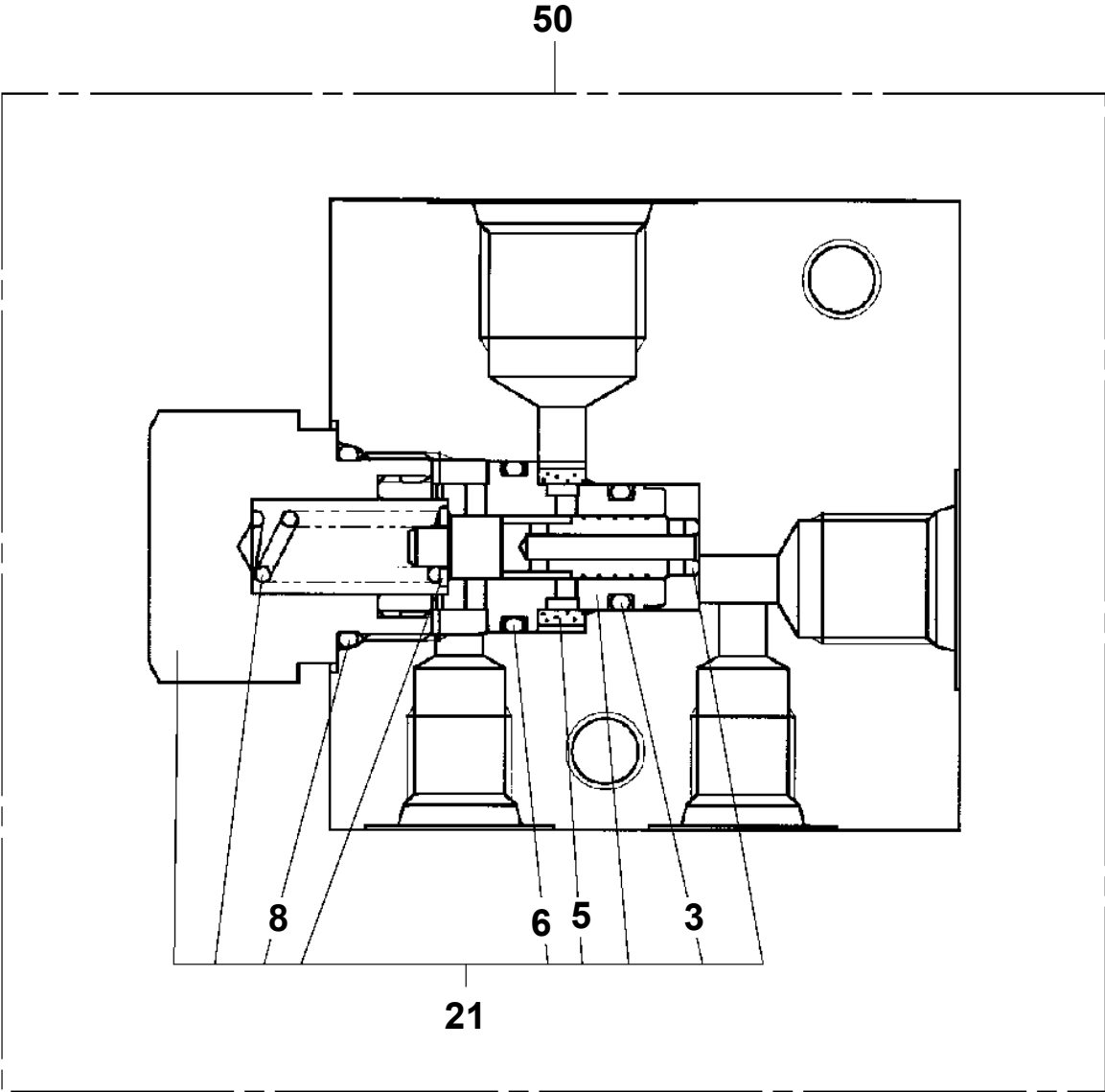


GR-300E-2-00101 4 BOOM + 2 JIB, 2M2D  
PI1010159-00 MOTOR, HYDRAULIC

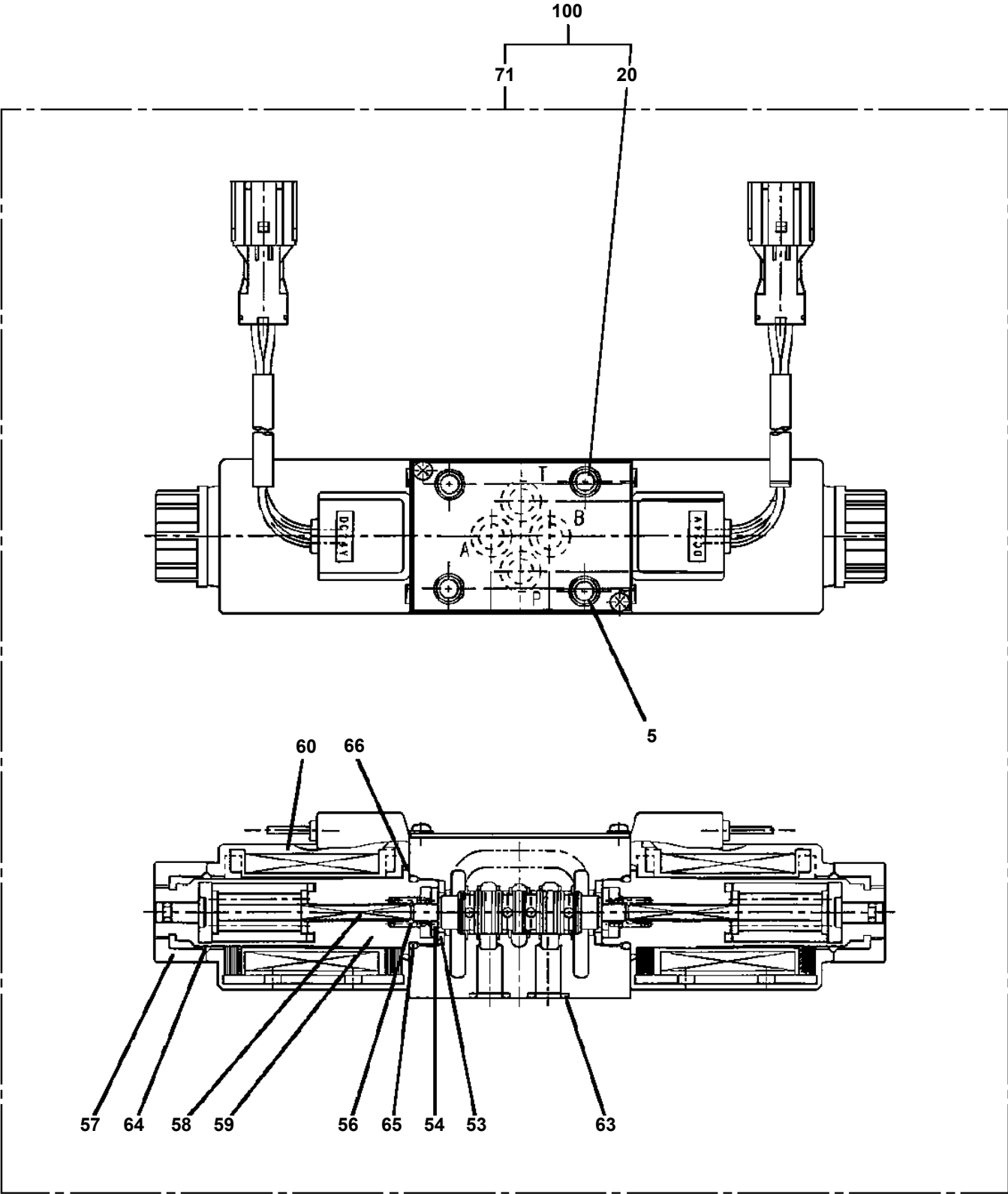
100



**GR-300E-2-00101 4 BOOM + 2 JIB, 2M2D**  
**PI1090012-00 VALVE,REDUCING**

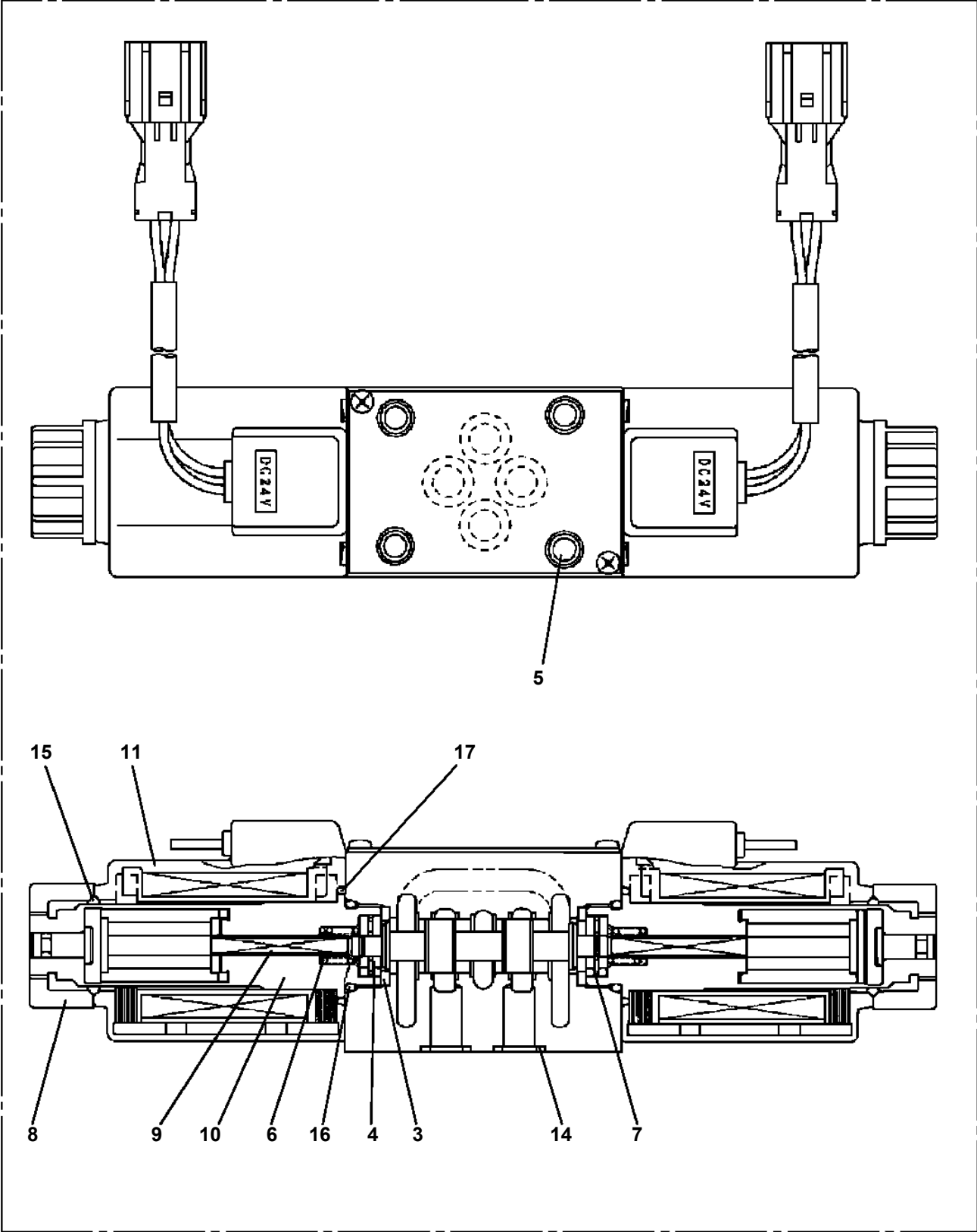


GR-300E-2-00101 4 BOOM + 2 JIB, 2M2D  
PI1120197-02 VALVE,SOLENOID

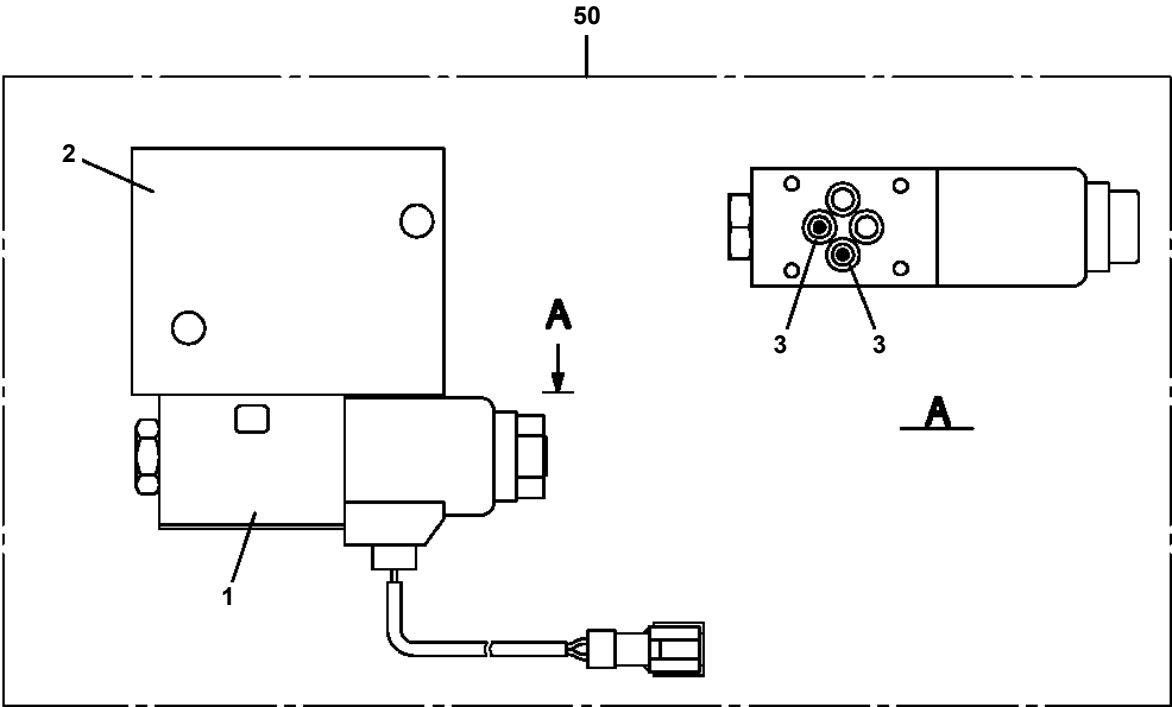


GR-300E-2-00101 4 BOOM + 2 JIB, 2M2D  
PI1120284-01 VALVE,SOLENOID

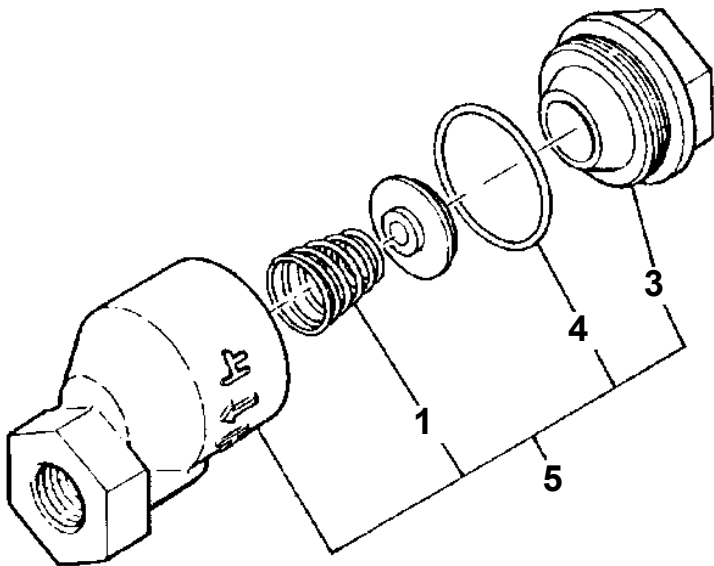
100



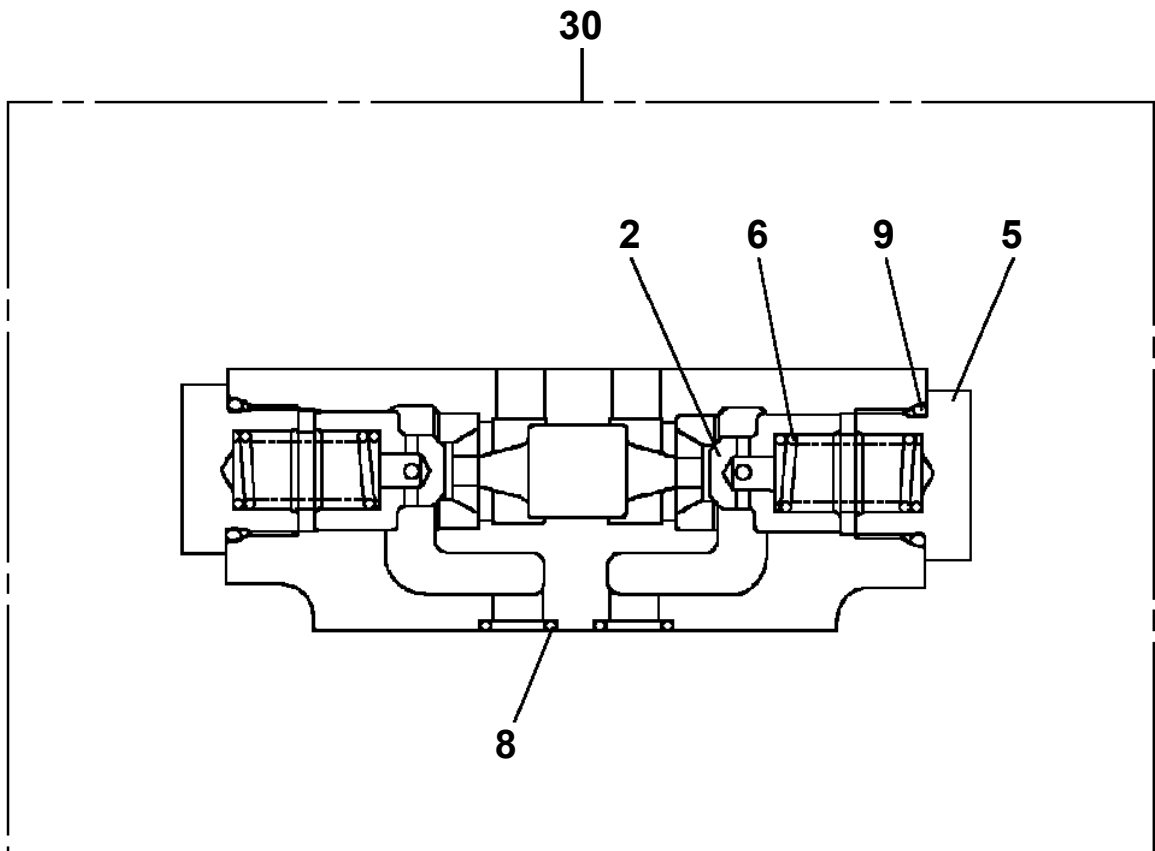
**GR-300E-2-00101 4 BOOM + 2 JIB, 2M2D  
PI1120350-00 VALVE,SOLENOID**



GR-300E-2-00101 4 BOOM + 2 JIB, 2M2D  
PI1140040-00 VALVE,CHECK

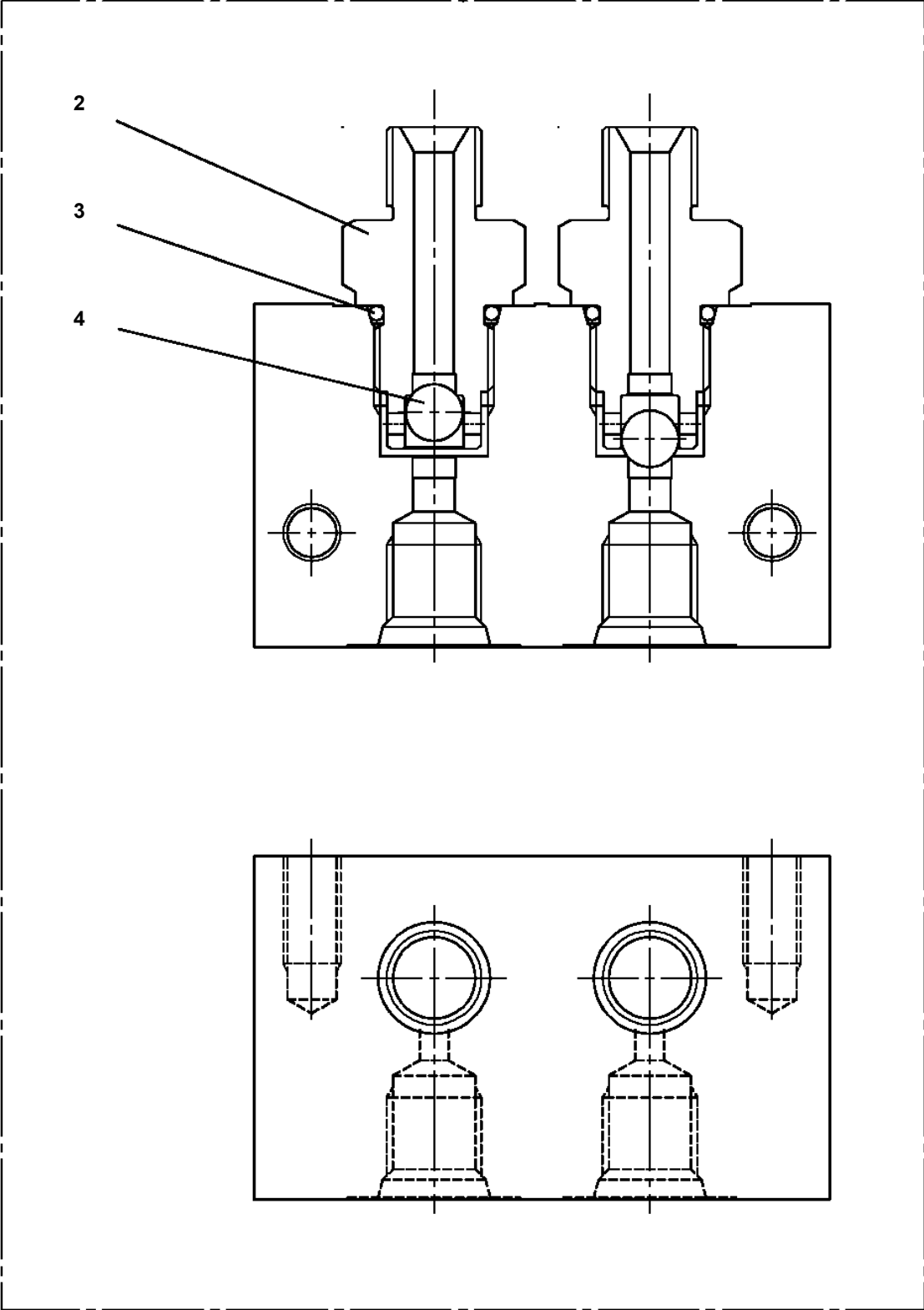


GR-300E-2-00101 4 BOOM + 2 JIB, 2M2D  
PI1140121-01 VALVE,CHECK



GR-300E-2-00101 4 BOOM + 2 JIB, 2M2D  
PI1230006-00 VALVE,SHUTTLE

10



# GR-300E-2-00101 4 BOOM + 2 JIB, 2M2D

Pos No.	Parts No	Parts Name	Qty	Unit	Technical Data	Serial No (Start)	Serial No (End)
3	36671279510	ELEMENT	1				
4	36671275020	SPRING	1				
5	36671275030	PLUG (DRAIN)	1				
6	36671275040	VALVE,RELIEF	1				
7	36671275050	PLUG	1				
8	91001209000	O-RING	1		1A G90		
10	91001101400	O-RING	1		1A P14		
11	91002801800	O-RING	1		1B P18		
12	91001101400	O-RING	1		1A P14		
20	36671270000	FILTER,OIL (TORQUE CONVERTER)	1				

## GR-300E-2-00101 4 BOOM + 2 JIB, 2M2D

Pos No.	Parts No	Parts Name	Qty	Unit	Technical Data	Serial No (Start)	Serial No (End)	Remarks	Pages
1	34353293101	PLATE	3		T=3.2				
2	90101208030	BOLT	9		M8X30		561834		
	90191208035	BOLT	9		M8X35	561835	561850		
	90101208032	BOLT	9		M8X32	561851			
3	90302040801	WASHER,SPRING	9		8				
4	34491660100	SUPPORT	1						
5	37000308440	SPACER	9		L=20				
6	82108501280	SWITCH	1		FL7M506N-901		561995		
	82108503280	SWITCH	1			561996			

# GR-300E-2-00101 4 BOOM + 2 JIB, 2M2D

Pos No.	Parts No	Parts Name	Qty	Unit	Technical Data	Serial No (Start)	Serial No (End)	Remarks	Pages
1	34221961100	SUPPORT	1						
2	34221961200	SUPPORT	1						
3	37000206330	PIN	1						
4	90303073001	WASHER,PLAIN	1		30				
5	80136363050	PIN,SPLIT	1		6.3X50				
6	31220140910	PIN ASSY	1						
8	34221961911	SUPPORT	1						
10	90102516075	BOLT	2		M16X75				
11	90261001600	NUT	2		M16				
12	34221961500	SUPPORT ASSY	1				561521		000322
	34221961501	SUPPORT ASSY	1			561522			000323
13	34221961600	SUPPORT ASSY	1						000324
14	37010500110	PLATE	1		T=4				
15	37010500120	PLATE	1		T=6				
16	33221631100	PLATE	1						
17	37000115550	PIN	2						
18	80136320012	PIN,SPLIT	5		2X12				
19	90303070601	WASHER,PLAIN	8		6				
20	82100002006	CLAMP	8		WR10				
21	90280200600	NUT,FLANGE	9		M6				
22	37001709750	CABLE,CONTROL	1						
23	34221966350	SUPPORT	1						
24	37001300010	SPRING	1						
25	34221961710	PIN	1						
28	33220000060	PIN ASSY	1						
29	37000575400	PLATE	1						
31	34220281420	STOPPER	1						
32	33200120640	STOPPER	1						
35	37000105250	PIN	1						
37	37000538540	PLATE	1		T=1.0		561521		
38	80601110150	RING,RITAINING	2		15				
39	34221961850	LINK	1						
40	90303071601	WASHER,PLAIN	1		16		561521		
	90303071601	WASHER,PLAIN	4		16	561522			
41	37000175920	PIN	1				561521		
	37010101580	PIN	1			561522			
42	37001709760	CABLE,CONTROL	1						
43	37005400320	END	1						
44	31220144820	LINK	1						
46	34221960100	PIN ASSY	1						
47	34220086500	PIN ASSY	1						
48	90720016450	SCREW,SET	4		M16X45				
49	90203201600	NUT	4		M16				
50	19411424000	PLATE	4						
51	82456101000	NIPPLE,GREASE	2		A-PT1/8				
52	37000122350	PIN	1						
53	37000532940	PLATE	1						
54	90201201400	NUT	1		M14				
55	34221961750	PLATE	1						
56	37005400080	END	1						
57	37001300380	SPRING	1						
58	42653231020	PLATE	1						
59	42263330010	PLATE,SLIDE	1						
60	80182306014	SCREW,MACHINE	1		M6X14				
61	34220592010	PLATE	1			561522			
62	82100001411	TUBE,SPIRAL	1	M	SE-08BK				
71	34221962500	SUPPORT	1						
72	34221962600	SUPPORT	1						
73	34221961010	SUPPORT	1						
91	37000125910	PIN	1						
92	37000201090	PIN,SNAP	1		20				
93	31371923600	RING	2						
94	82400000340	CHAIN (QTY=L)	1	M					

CLICK HERE TO **DOWNLOAD** THE COMPLETE MANUAL

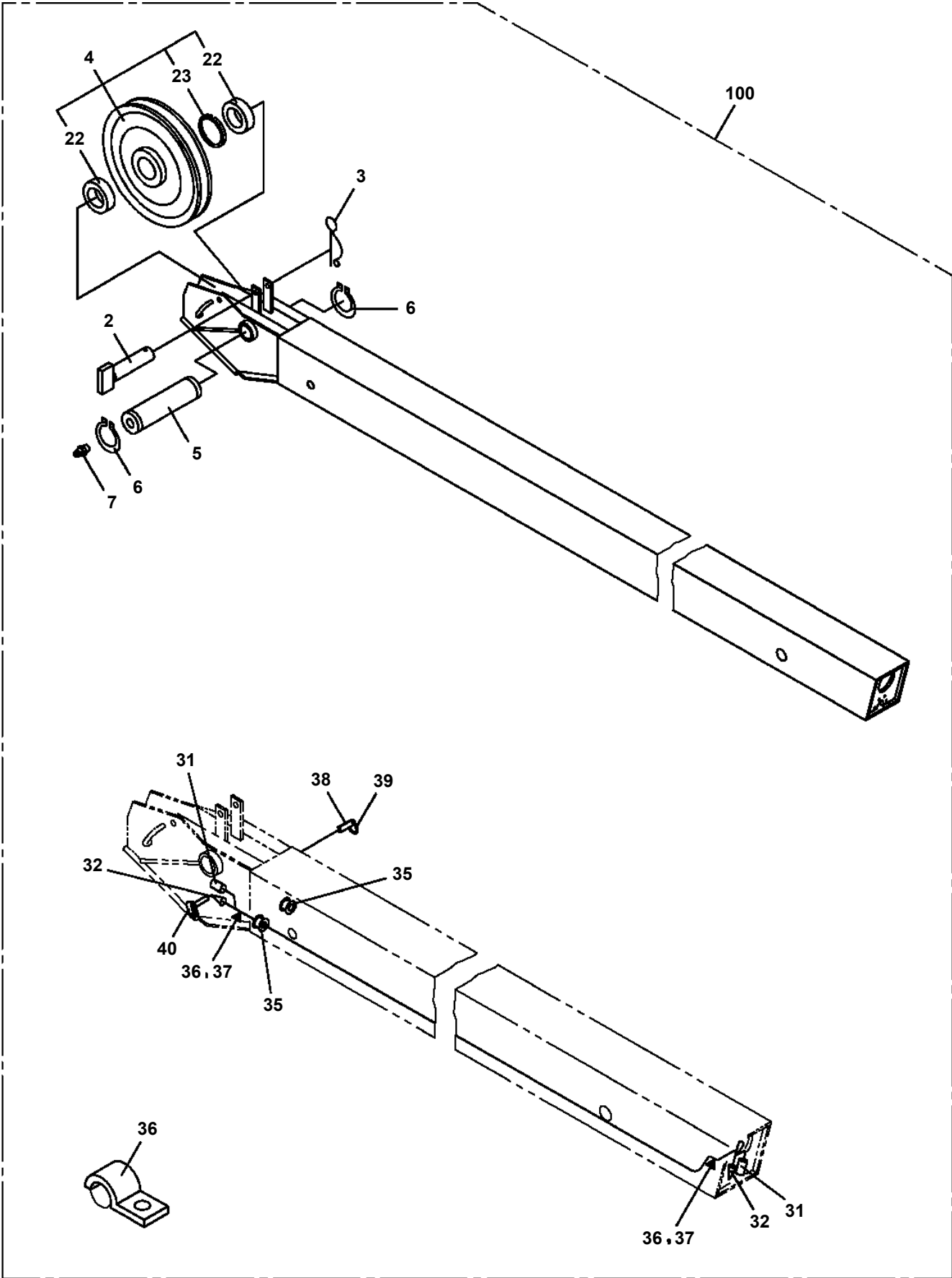
- Thank you very much for reading the preview of the manual.
- You can download the complete manual from: [www.heydownloads.com](http://www.heydownloads.com) by clicking the link below



- Please note: If there is no response to CLICKING the link, please download this PDF first and then click on it.

CLICK HERE TO **DOWNLOAD** THE COMPLETE MANUAL

GR-300E-2-00101 4 BOOM + 2 JIB, 2M2D  
PJ5070014-00 JIB ASSY,2



# GR-300E-2-00101 4 BOOM + 2 JIB, 2M2D

Pos No.	Parts No	Parts Name	Qty	Unit	Technical Data	Serial No (Start)	Serial No (End)	Remarks	Pages
1	34250360200	BELT	1				561601		
	34251650300	BELT	1			561602			
2	90101510025	BOLT	2		M10X25		562079		
	90171110025	BOLT	2		M10X25	562080			
3	90302041001	WASHER,SPRING	2		10				
4	90303071001	WASHER,PLAIN	2		10				
5	90201401000	NUT	2		M10				

## GR-300E-2-00101 4 BOOM + 2 JIB, 2M2D

Pos No.	Parts No	Parts Name	Qty	Unit	Technical Data	Serial No (Start)	Serial No (End)	Remarks	Pages
1	82100001921	LAMP (RED)	1				561507		000157
2	82100001758	LAMP (ORANGE)	1				561507		
3	34491680100	HARNESS	1						
11	82199444129	LAMP (RED)	1		24V 12W	561508			
12	82199444329	LAMP (YELLOW)	1		24V 12W	561508			
21	82100002550	BULB,LAMP	2		24V 20W		561507		
31	82166600010	BULB,LAMP	2		24V/12W	561508			

# GR-300E-2-00101 4 BOOM + 2 JIB, 2M2D

Pos No.	Parts No	Parts Name	Qty	Unit	Technical Data	Serial No (Start)	Serial No (End)	Remarks	P
2	36683755010	GLASS ASSY	1						
100	36684060000	METER,COMBINATION	1						

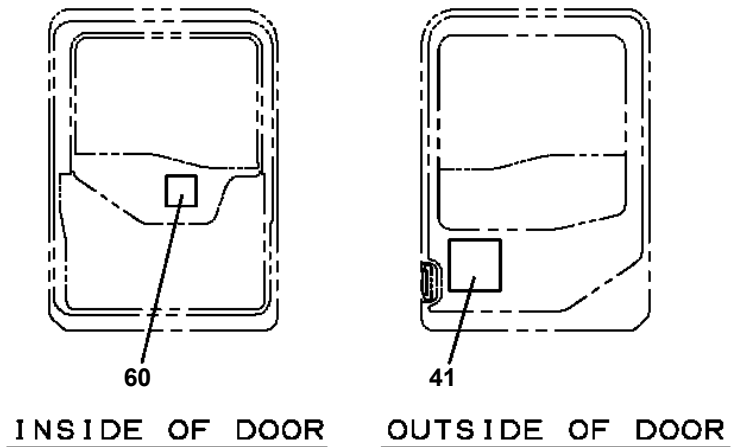
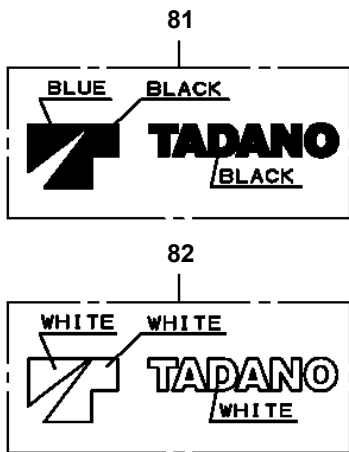
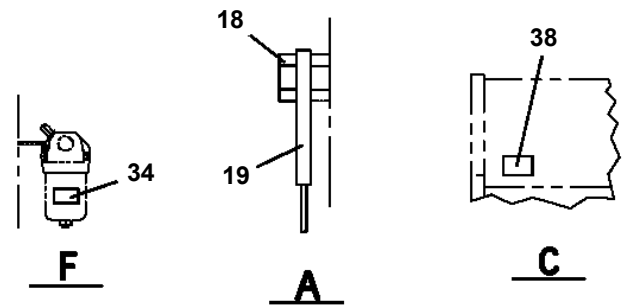
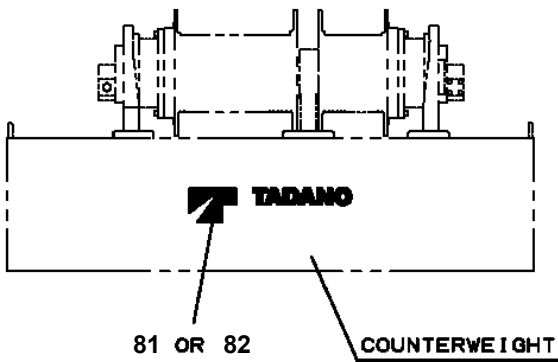
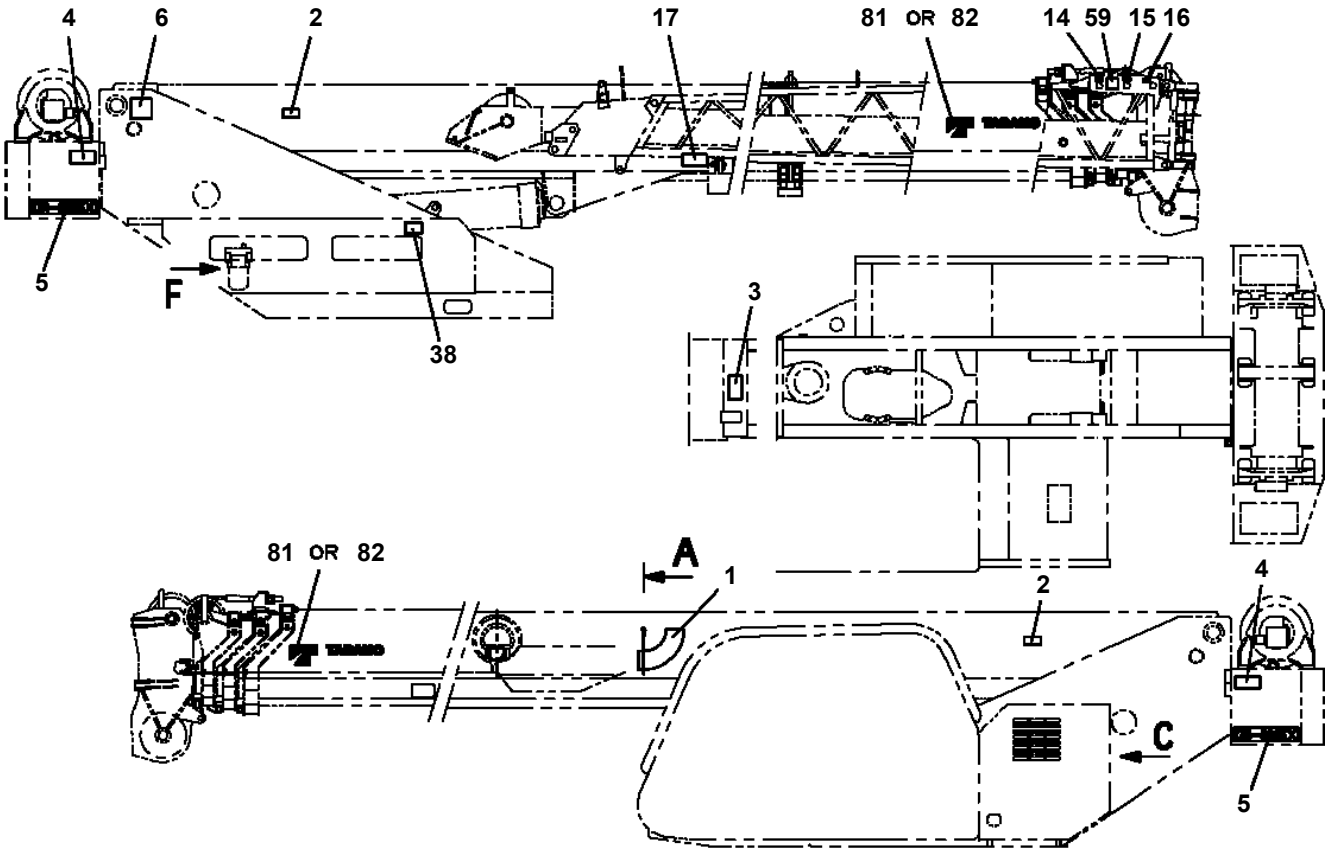
# GR-300E-2-00101 4 BOOM + 2 JIB, 2M2D

Pos No.	Parts No	Parts Name	Qty	Unit	Technical Data	Serial No (Start)	Serial No (End)	Re
1	34352901110	SWITCH,PUSH (ASSY ONLY)	5					
2	34352901210	SWITCH,ROCKER (ASSY ONLY)	2					
3	34352901220	SWITCH,ROCKER	1					
4	82460104228	GRIP	3					
11	34352901130	PLATE ASSY,NAME (NO.1-NO.38)	1					

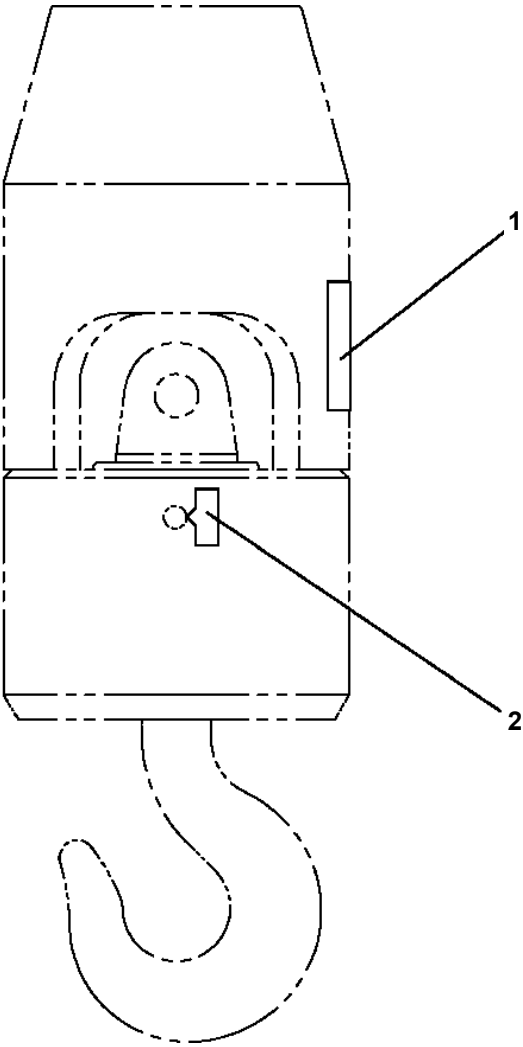
# GR-300E-2-00101 4 BOOM + 2 JIB, 2M2D

Pos No.	Parts No	Parts Name	Qty	Unit	Technical Data	Serial No (Start)	Serial No (End)	Remarks
1	34930096000	BATTERY (YUASA,170F51)	1					

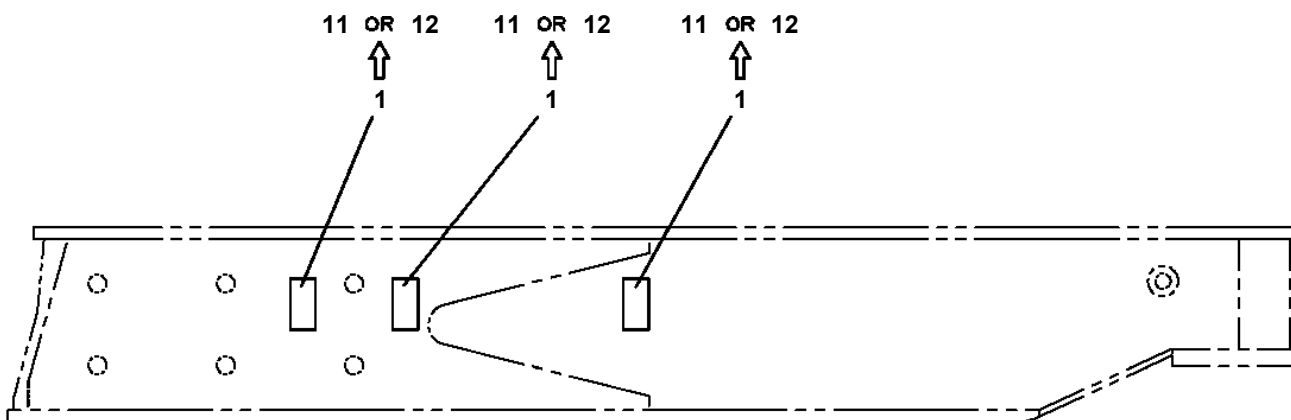
**GR-300E-2-00101 4 BOOM + 2 JIB, 2M2D  
PN5010474-01 NAME PLATE ASSY (UPPER)**



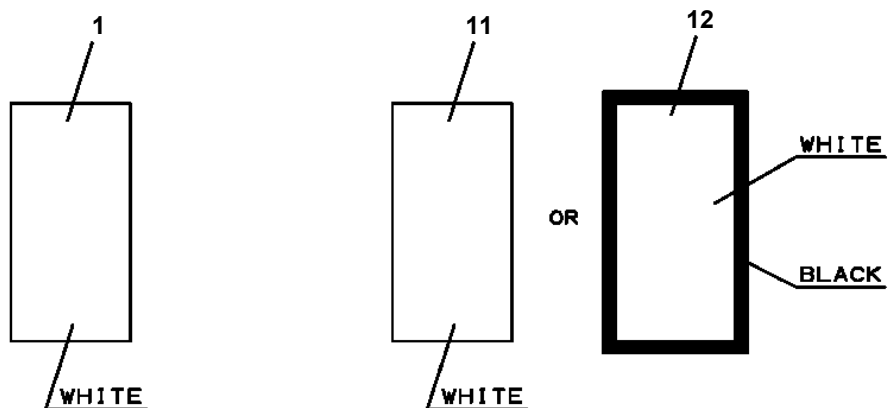
**GR-300E-2-00101 4 BOOM + 2 JIB, 2M2D**  
**PO1014183-00 PLATE ASSY,NAME (AUX./ENG.& FRENCH)**



GR-300E-2-00101 4 BOOM + 2 JIB, 2M2D  
PO1050029-02 MARKING (OUTRIGGER)



マーキングはアウトリガ内箱全ての両側面に施す  
MARKING BOTH SIDES OF ALL OUTRIGGERS



## GR-300E-2-00101 4 BOOM + 2 JIB, 2M2D

Pos No.	Parts No	Parts Name	Qty	Unit	Technical Data	Serial No (Start)	Serial No (End)	Rem
135	34321966200	PEDAL	2					
136	34321966300	SUPPORT	2					
137	34321966400	BOOT	2					
151	34323251101	BOX ASSY (LEFT)	1					
152	34320901200	COVER	2					
153	34320901300	SUPPORT	1					
154	34320901401	SHAFT	4					
155	82108501280	SWITCH	1		FL7M506N-901		561995	
	82108503280	SWITCH	1			561996		
156	80176404012	SCREW,MACHINE	8		M4X12			
157	90305260401	WASHER	8		4			
158	90280200800	NUT,FLANGE	1		M8			
159	34320904500	KNOB (BLACK)	1				561383	
	34320904501	KNOB (BLACK)	1			561384		
160	90186208020	BOLT,FLANGE	9		M8X20			
161	37002450710	HOSE	1		L=800			
162	37002472000	HOSE	1		L=730			
163	80400160127	JOINT	10					
165	37002443710	HOSE	1		L=2200			
166	37002451480	HOSE	1		L=2600			
167	90186206010	BOLT,FLANGE	1		M6X10			
168	82114101020	CONNECTOR (2P,MALE)	2					
169	82100002033	CLAMP	1					
170	82100002737	CABLE	2	M			561434	
	82141921070	CABLE	2	M		561435		
171	90203501200	NUT	8		M12			
172	36634920000	VALVE,CONTROL	2					
173	36672460000	FILTER (NIPPLE TYPE)	2					
174	37002510460	HOSE	2		L=15			
175	34320904200	KNOB (RED)	1				561383	
	34320904201	KNOB (RED)	1			561384		
176	82100001033	SWITCH,PUSH	2				561383	
	82101700412	SWITCH,PUSH	2			561384		
177	82111101010	TERMINAL	4					
178	82121102020	HOLDER	2					
179	82121101030	PLUG	4					
180	37002472020	HOSE	1		L=2030			
181	37002465820	HOSE	1		L=2050			
182	91810130230	FASTENER	2					
201	34322238010	KNOB ASSY	1					
202	34322388010	KNOB ASSY	1					
221	34322235600	SUPPORT	1					
222	37000118050	PIN	1					
223	90186208010	BOLT,FLANGE	1		M8X10			
224	34321961200	LEVER	2					
225	37000515600	PLATE	2		T=1.0		561773	
	37000515600	PLATE	3		T=1.0	561774		
231	34323252101	BOX ASSY (RIGHT)	1					
233	34320904300	KNOB	2					
238	37002460250	HOSE	1		L=2950			
241	37002450510	HOSE	2		L=1250			
242	37002472030	HOSE	1		L=2460			
245	37002444970	HOSE	1		L=2275			
246	37002473200	HOSE	1		L=2240			
261	34320908120	KNOB ASSY	2					
274	80801002010	BEARING,PLAIN	8					

## GR-300E-2-00101 4 BOOM + 2 JIB, 2M2D

Pos No.	Parts No	Parts Name	Qty	Unit	Technical Data	Serial No (Start)	Serial No (End)	Remarks	Pages
1	34272020100	COVER	1				561558		
	34272020101	COVER	1			561559			
2	34271570300	COVER	1						
4	90303071001	WASHER,PLAIN	29		10				
5	90280201000	NUT,FLANGE	4		M10				
6	90186210020	BOLT,FLANGE	31		M10X20				
7	90186210025	BOLT,FLANGE	4		M10X25				
8	34691266900	SUPPORT	2						
9	34271362500	SUPPORT	1						
10	34272028040	COVER	1						
11	37000578740	PLATE	4		T=1.6				
12	34271570700	COVER	1						
13	90186208014	BOLT,FLANGE	4		M8X14				
15	34272028030	COVER	1						
16	34272038011	COVER	1						
28	82400000310	GROMMET	1		L=1000				



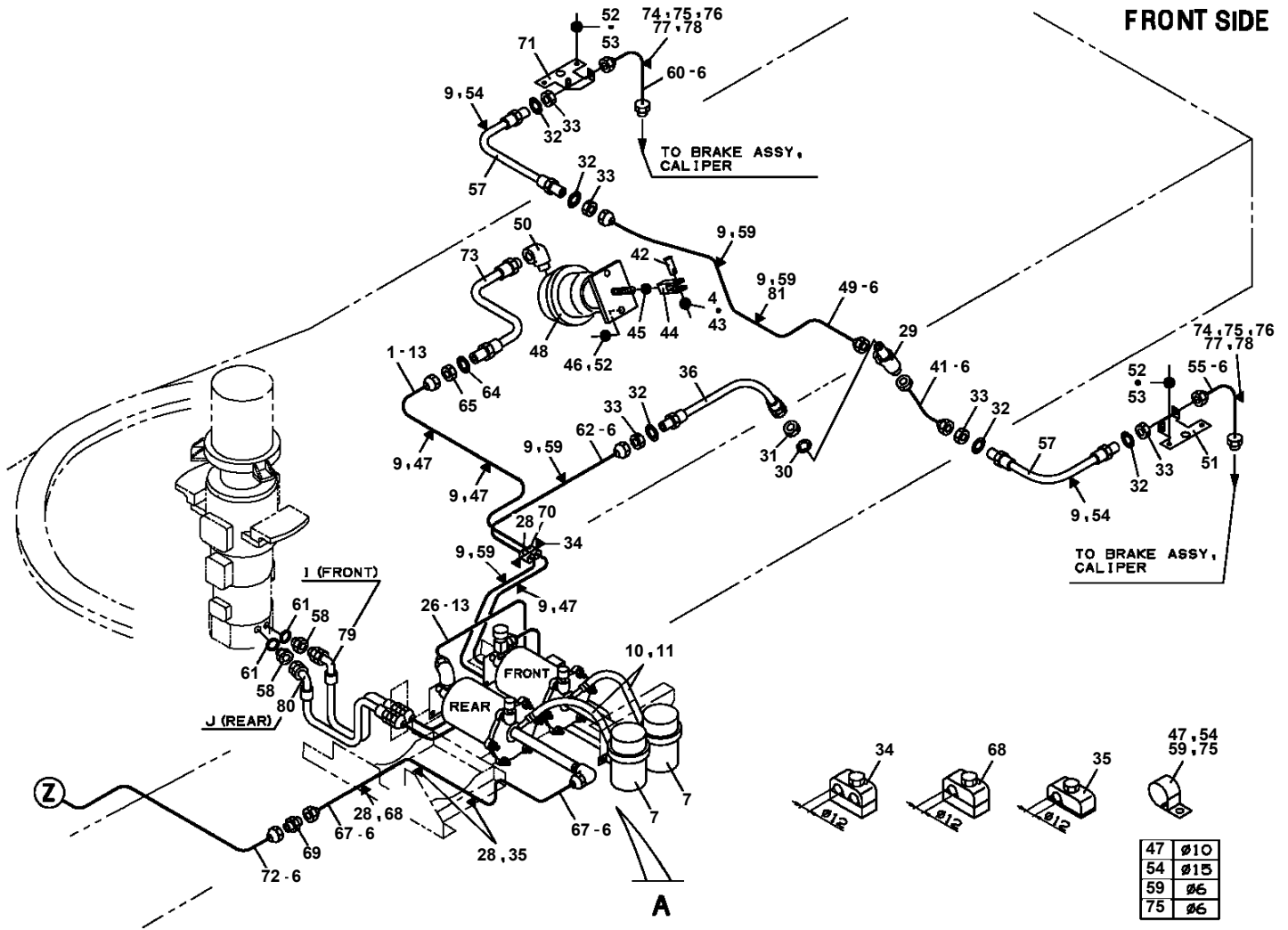
## GR-300E-2-00101 4 BOOM + 2 JIB, 2M2D

Pos No.	Parts No	Parts Name	Qty	Unit	Technical Data	Serial No (Start)	Serial No (End)	Remarks	Pages
1	82456101000	NIPPLE,GREASE	10		A-PT1/8				
2	82459103000	NIPPLE,GREASE	4		C-PT1/8				
3	82458102000	NIPPLE,GREASE	10		B-PT1/8				

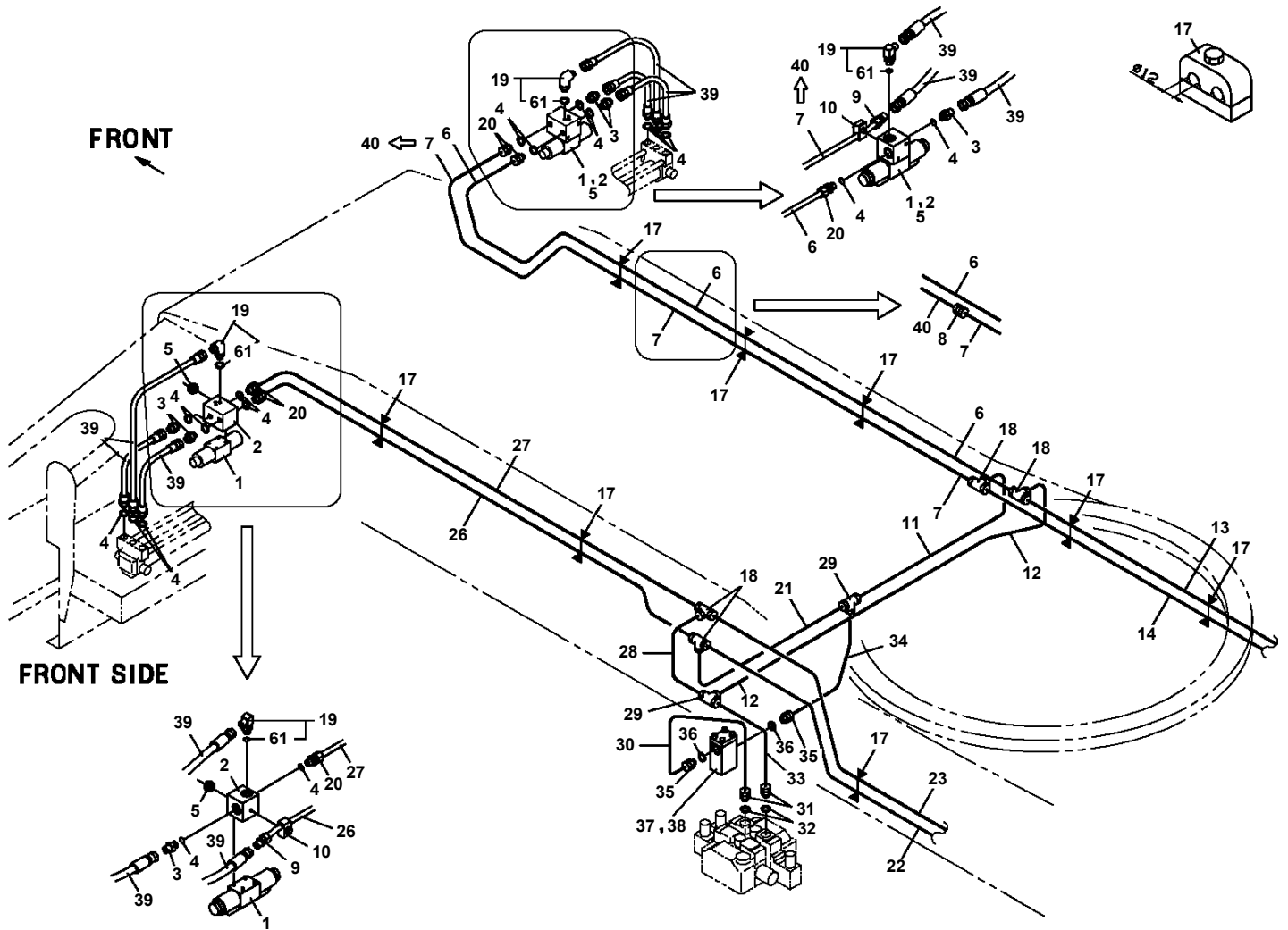
# GR-300E-2-00101 4 BOOM + 2 JIB, 2M2D

Pos No.	Parts No	Parts Name	Qty	Unit	Technical Data	Serial No (Start)	Serial No (End)	R
1	80302090322	FITTING	2		KCO28-080N			
2	91002802900	O-RING	6		1B P29			
3	37000932660	JOINT (WITH O-RING)	3		T G1/4-G1/4-G1/4			
4	91002801100	O-RING	11		1B P11			
5	80303130141	FITTING,ELBOW	4		KLO12-020E			
6	80302090141	FITTING	1		KCO12-020N			
7	80306010105	NUT	1		KKN12-000E			
8	80309010105	SLEEVE	1		KK012-000E			
9	80400160127	JOINT	8					
10	80400160135	JOINT	2					
11	80306010245	NUT	2		KKN28-000E			
12	80309010245	SLEEVE	2		28			
13	37000701500	CLAMP ASSY	2		12X1			
14	81408000341	PIPE,STEEL	2	M	28X3.1T			
15	81408000341	PIPE,STEEL	2	M	28X3.1T			
18	81408000160	PIPE,STEEL	1	M	12X1.4T			
19	81408000160	PIPE,STEEL	2	M	12X1.4T			
20	80301010100	FITTING	2		KUA12-000N			
21	81408000160	PIPE,STEEL	2	M	12X1.4T			
22	37002483740	HOSE	2		L=1250			
23	37002474110	HOSE	1		L=700			
24	37000711100	CLAMP ASSY	3		28X2			
	37000711100	CLAMP ASSY	2		28X2	561486		561485
25	37000711000	CLAMP ASSY	2		12-1			
26	80301010241	FITTING	2		KUA28-000N			
27	81408000341	PIPE,STEEL	2	M	28X3.1T			
28	81408000341	PIPE,STEEL	2	M	28X3.1T			
29	37002445000	HOSE	1		L=515			
30	37002478180	HOSE	1		L=1120			
31	81408000160	PIPE,STEEL	1	M	12X1.4T			
32	81408000160	PIPE,STEEL	1	M	12X1.4T			
33	34345506600	JOINT	2					
34	80400160126	FITTING,TEE	2		20364-U1/2			
35	91810130250	FASTENER	1					
41	80441010908	FITTING	1		PF1/2-12.7			
42	89640103000	HOSE	1		880-NFK,3M			
43	80430620400	JOINT	5					
44	37000919390	JOINT (ORIFICE)	1		1.0			
45	80441030904	FITTING,ELBOW (WITH O-RING)	1		L,G1/4-12.7			
46	89640101000	HOSE	1		880-NFK,1M			
47	36648130000	VALVE,SOLENOID	1					
48	90186208014	BOLT,FLANGE	2		M8X14			
50	37002448590	HOSE	1		L=750			
51	37002450620	HOSE	1		L=650			
52	82135901973	BAND,MARK (W)	8					
53	82135901905	BAND,MARK (5)	4					
54	82135901906	BAND,MARK (6)	4					
55	37000921720	JOINT	1		S G1/4-M10			
56	59457138000	PLUG ASSY	1					
57	82100002008	CLAMP	4		WR12			
58	90280200600	NUT,FLANGE	4		M6			
84	91002801100	O-RING	13		1B P11			
101	91002801800	O-RING	1		1B P18			

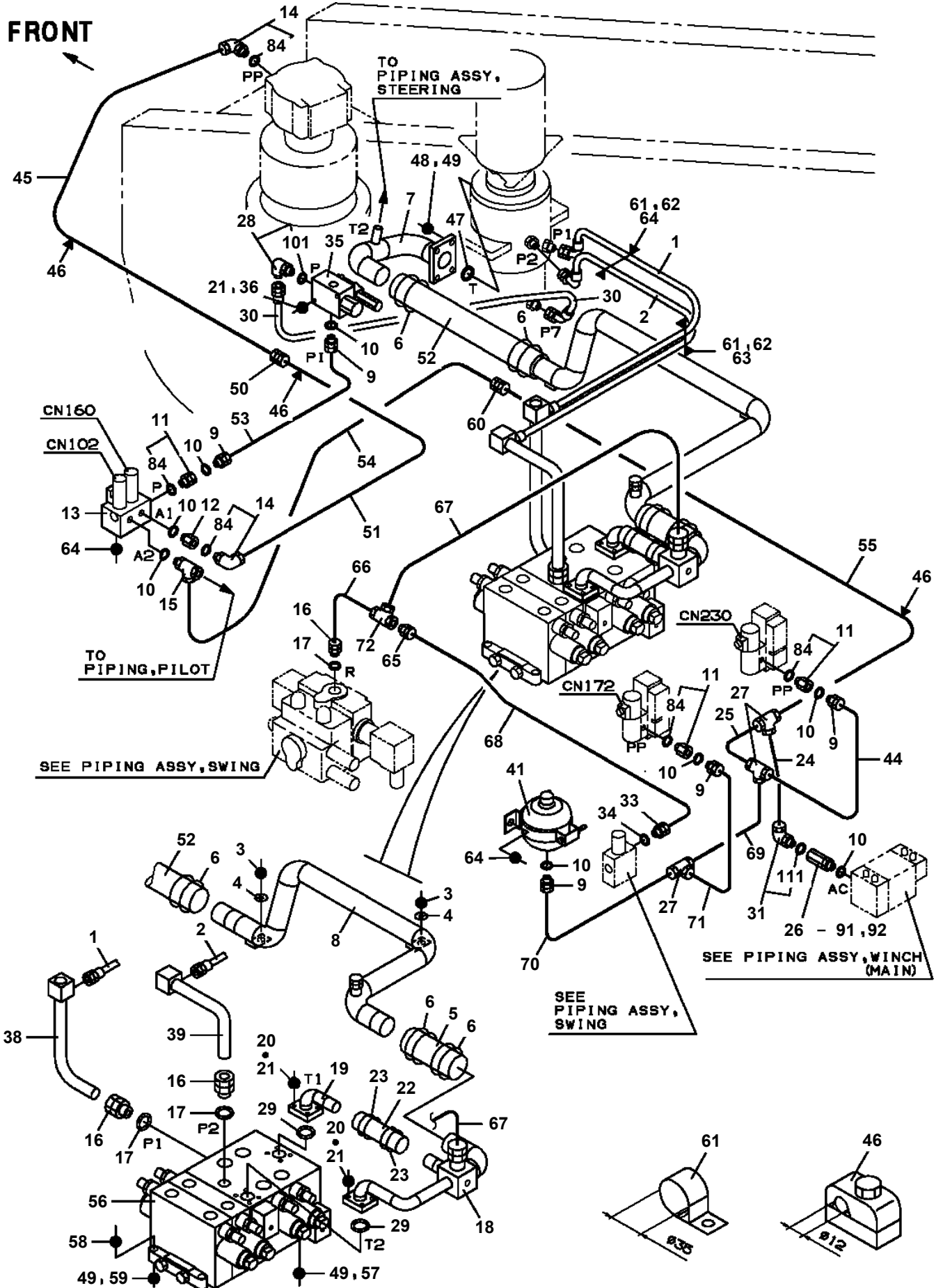
**GR-300E-2-00101 4 BOOM + 2 JIB, 2M2D**  
**PP6070006-00 PIPING ASSY, BRAKE (LOWER)**



**GR-300E-2-00101 4 BOOM + 2 JIB, 2M2D**  
**PP6220011-04 PIPING ASSY,OUTRIGGER**



**GR-300E-2-00101 4 BOOM + 2 JIB, 2M2D**  
**PP6270038-01 PIPING ASSY, RETURN (UPPER)**



# GR-300E-2-00101 4 BOOM + 2 JIB, 2M2D

Pos No.	Parts No	Parts Name	Qty	Unit	Technical Data	Serial No (Start)	Serial No (End)
1	80400160131	JOINT	1				
2	91002801800	O-RING	3		1B P18		
3	37002442560	HOSE	1		L=1300		
4	37000924110	JOINT	1		S,G1/2-G1/2		
5	90101510035	BOLT	8		M10X35		
6	90302041001	WASHER,SPRING	16		10		
7	90172110030	BOLT,HEXAGON SOCKET	5		M10X30		561797
	90172110030	BOLT,HEXAGON SOCKET	6		M10X30	561798	
8	80303130321	FITTING,ELBOW	1		KLO28-080E		
10	90101210100	BOLT	3		M10X100		
11	90280201000	NUT,FLANGE	3		M10		
12	90191510030	BOLT	3		M10X30		561797
	90191510030	BOLT	2		M10X30	561798	
15	91002802400	O-RING	1		1B P24		
18	37002411260	HOSE	1		L=2650		
19	37002474210	HOSE	1		L=1400		561551
	37002415790	HOSE	1		L=1375	561552	561582
20	37002411070	HOSE	1		L=2650		
21	37002485370	HOSE	1		L=1650		
22	81408000341	PIPE,STEEL	1	M	28X3.1T		
23	37000909610	JOINT	1				561582
24	91002802900	O-RING	1		1B P29		561582
	91002802900	O-RING	2		1B P29	561583	
26	80316070100	PLUG	1		G3/4		
27	82100002535	TUBE,SPIRAL	5	M	SE-29BK		
28	90280200800	NUT,FLANGE	19		M8		
29	37000908580	JOINT	1		L G3/4-28		
32	82100002017	CLAMP	8		WR30		
33	82100002015	CLAMP	1		WRC20		
34	82100002016	CLAMP	6		WR25		
35	90186208014	BOLT,FLANGE	4		M8X14		
36	36740730001	VALVE,PILOT OPERATED CONTROL	1				
40	81408000160	PIPE,STEEL	1	M	12X1.4T		
41	81408000160	PIPE,STEEL	1	M	12X1.4T		
42	81408000160	PIPE,STEEL	2	M	12X1.4T		
43	81408000160	PIPE,STEEL	2	M	12X1.4T		
45	37002425870	HOSE	1		L=600		561865
46	37002474860	HOSE	1		L=480		561865
47	80306010105	NUT	1		KKN12-000E		561865
48	80309010105	SLEEVE	1		KK012-000E		561865
49	80430620400	JOINT	2				
50	80305131202	FITTING,TEE	1		T G1/4-12-12		
51	91002801100	O-RING	4		1B P11		
53	80302090141	FITTING	1		KCO12-020N		
54	37000921720	JOINT	1		S G1/4-M10		
55	37000932660	JOINT (WITH O-RING)	1		T G1/4-G1/4-G1/4		
56	59457138000	PLUG ASSY	1				
57	80481702020	JOINT	1		L,G1/4-G1/4		
58	80320010075	FITTING	1		KUD12-020N		561865
	80320010075	FITTING	2		KUD12-020N	561866	
61	36740110000	VALVE,SOLENOID	1				
62	80430620800	JOINT	1				
63	82100002009	CLAMP	1		WRC12		
64	37000918330	JOINT	1		G1/2-G3/4		
65	80301010100	FITTING	1		KUA12-000N		
66	37000913040	JOINT (WITH O-RING)	1		L,G1-G3/4		
67	37000701500	CLAMP ASSY	3		12X1		
68	36672630000	FILTER (WITH O-RING)	1				
69	37000711000	CLAMP ASSY	1		12-1		
70	82100002877	TUBE,SPIRAL	1	M	SE-24BK		
71	37002416300	HOSE	1		L=1380	561583	
72	37000930200	JOINT	1		S,G1-G1	561583	
73	80400160134	JOINT	1			561583	

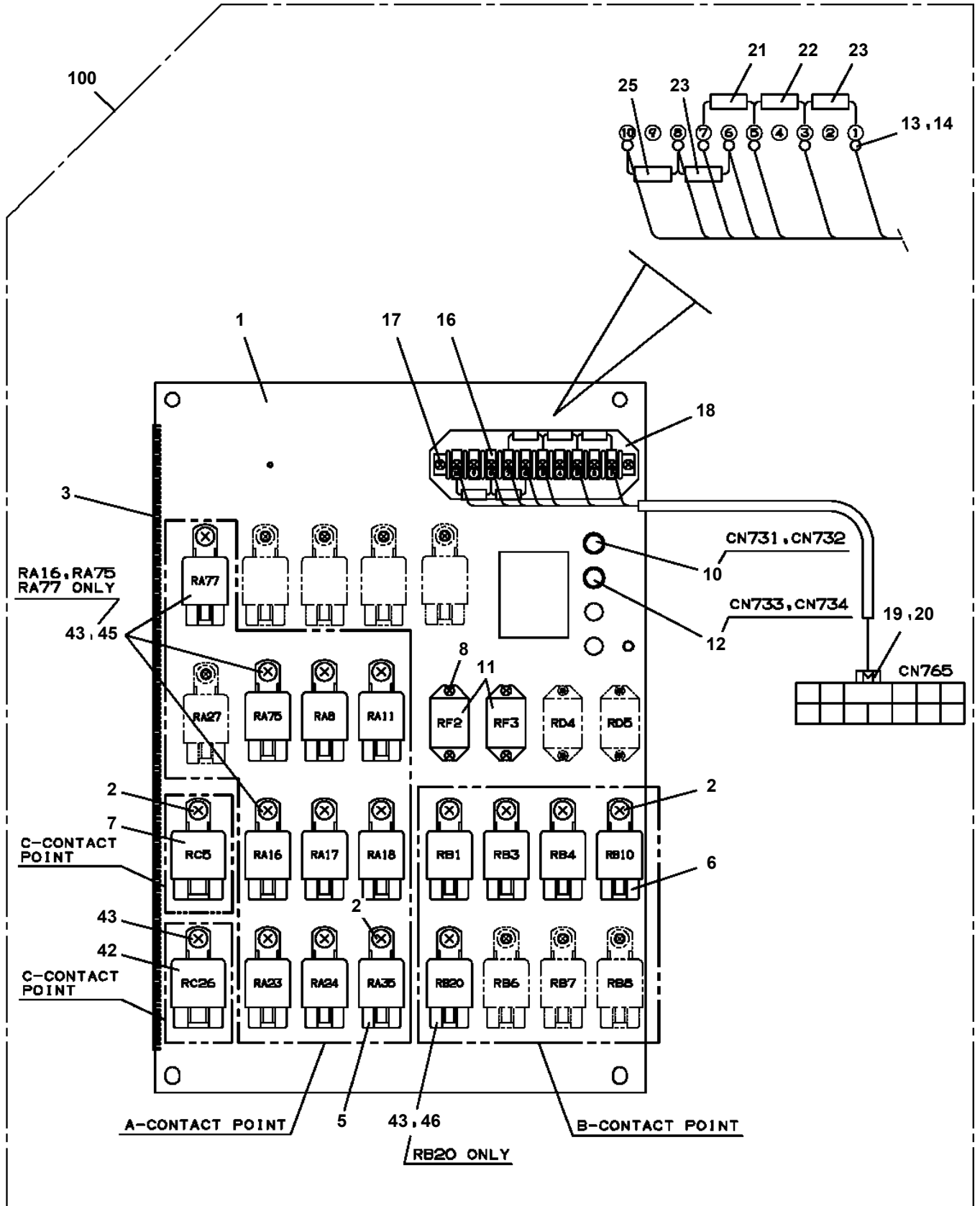
# GR-300E-2-00101 4 BOOM + 2 JIB, 2M2D

Pos No.	Parts No	Parts Name	Qty	Unit	Technical Data	Serial No (Start)	Serial No (End)	Rem
1	36302115010	SPIDER ASSY	2					
2	36302695010	YOKE ASSY	1					
3	36302115030	BOLT	16		M12X53X1.25			
4	36302115040	WASHER,SPRING	16					
11	59236000010	NIPPLE,GREASE (UNF1/4X35A)	2					
21	59236000020	NIPPLE,GREASE	1		NPTF 1/8A			
30	36302695000	PROPELLER SHAFT,DRIVING	1					

# GR-300E-2-00101 4 BOOM + 2 JIB, 2M2D

Pos No.	Parts No	Parts Name	Qty	Unit	Technical Data	Serial No (Start)	Serial No (End)
1	37003899040	VALVE (TRJ653+ ADAPTER(AD-1)+CAP)	1				
10	37003804130	TIRE (DUNLOP)	1				

**GR-300E-2-00101 4 BOOM + 2 JIB, 2M2D**  
**PR5090038-01 RELAY ASSY (INSIDE MDT BOX)**



# GR-300E-2-00101 4 BOOM + 2 JIB, 2M2D

Pos No.	Parts No	Parts Name	Qty	Unit	Technical Data	Serial No (Start)	Serial No (End)
1	82193900100	TIMER	1				
2	82193900110	SOCKET	1				
3	82193900120	HOLDER	2				
4	82161500100	RELAY	1				
5	82161500110	SOCKET	1				
6	82100003050	SUPPORT	1				
7	82100005010	HOLDER	2				
8	34354413310	HARNESS (EMERGENCY STOP,RELAY)	1				

## GR-300E-2-00101 4 BOOM + 2 JIB, 2M2D

Pos No.	Parts No	Parts Name	Qty	Unit	Technical Data	Serial No (Start)	Serial No (End)
1	36061921000	CYLINDER	1				
	36061921000	CYLINDER	1				
2	80136350071	PIN,SPLIT	1				
	80136350071	PIN,SPLIT	1				
3	37001600340	NUT	1				
	37001600340	NUT	1				
4	36061136000	PISTON	1				
	36061136000	PISTON	1				
5	91350207500	BEARING,PLAIN (WITH PACKINGX2)	1				
	91350207500	BEARING,PLAIN (WITH PACKINGX2)	1				
6	91002804000	O-RING	1		1B P40		
	91002804000	O-RING	1		1B P40		
7	36061132000	ROD ASSY	1				
	36061132000	ROD ASSY	1				
8	36061134000	COVER,ROD	1				
	36061134000	COVER,ROD	1				
9	91002806500	O-RING	1		1B P65		
	91002806500	O-RING	1		1B P65		
10	91251100400	RING,DAMPER	1				
	91251100400	RING,DAMPER	1				
11	91694004000	PACKING	1				
	91694004000	PACKING	1				
12	91410204001	RING,BACKUP	1				
	91410204001	RING,BACKUP	1				
13	91660004001	SEAL,DUST	1				
	91660004001	SEAL,DUST	1				
15	91801301000	CLIP	1				
	91801301000	CLIP	1				
16	36061133000	BOOT	1				
	36061133000	BOOT	1				
17	91801300650	CLIP	1		D=60-65		
	91801300650	CLIP	1		D=60-65		
18	91301104000	BEARING,PLAIN	1				
	91301104000	BEARING,PLAIN	1				
31	37000402270	BEARING,PLAIN	2				
	37000402270	BEARING,PLAIN	2				
40	37000400990	BEARING,PLAIN	2				
	37000400990	BEARING,PLAIN	2				
50	36061929900	PACKING SET	1		40X75		
	36061929900	PACKING SET	1		40X75		
100	36061930000	CYLINDER,STEERING	1				
	36061930000	CYLINDER,STEERING	1				

# GR-300E-2-00101 4 BOOM + 2 JIB, 2M2D

Pos No.	Parts No	Parts Name	Qty	Unit	Technical Data	Serial No (Start)	Serial No (End)
1	36303085040	JOINT,UNIVERSAL	2				
4	36302705040	BOLT	8				
5	36302705050	WASHER,SPRING	8				
11	82457109000	NIPPLE,GREASE	2		A-PT1/4		
21	82455106000	NIPPLE,GREASE	1		A-M6F FE		
51	36303535020	YOKE ASSY	1				
100	36303533000	SHAFT ASSY,PROPELLER (MATSUI)	1				

# GR-300E-2-00101 4 BOOM + 2 JIB, 2M2D

Pos No.	Parts No	Parts Name	Qty	Unit	Technical Data	Serial No (Start)	Serial No (End)	Remark
1	36061920000	CYLINDER,STEERING	2				561645	
	36063350000	CYLINDER ASSY,STEERING	2			561646	561682	
	36061920000	CYLINDER,STEERING	2			561683		
2	36061930000	CYLINDER,STEERING	2				561645	
	36063360000	CYLINDER ASSY,STEERING	2			561646	561682	
	36061930000	CYLINDER,STEERING	2			561683		
4	37001501680	BOLT	4					
5	59460521000	BOLT	4					
6	37001601880	NUT,CASTLE	8		M30X1.5			
7	80136363056	PIN,SPLIT	8		6.3X56			

# GR-300E-2-00101 4 BOOM + 2 JIB, 2M2D

Pos No.	Parts No	Parts Name	Qty	Unit	Technical Data	Serial No (Start)	Serial No (End)	Remarks	Pages
1	34221961511	SUPPORT	1						
2	34221966310	LINK	1						
3	37010101580	PIN	1						
4	80601110150	RING,RITAINING	2		15				
6	90303071601	WASHER,PLAIN	4		16				
30	34221961501	SUPPORT ASSY	1						

# GR-300E-2-00101 4 BOOM + 2 JIB, 2M2D

Pos No.	Parts No	Parts Name	Qty	Unit	Technical Data	Serial No (Start)	Serial No (End)	Remarks	Pages
1	34495693110	SUPPORT	1						
2	34361103300	SUPPORT	1						
3	34495753110	SUPPORT	1						
4	33370260030	SUPPORT	3						

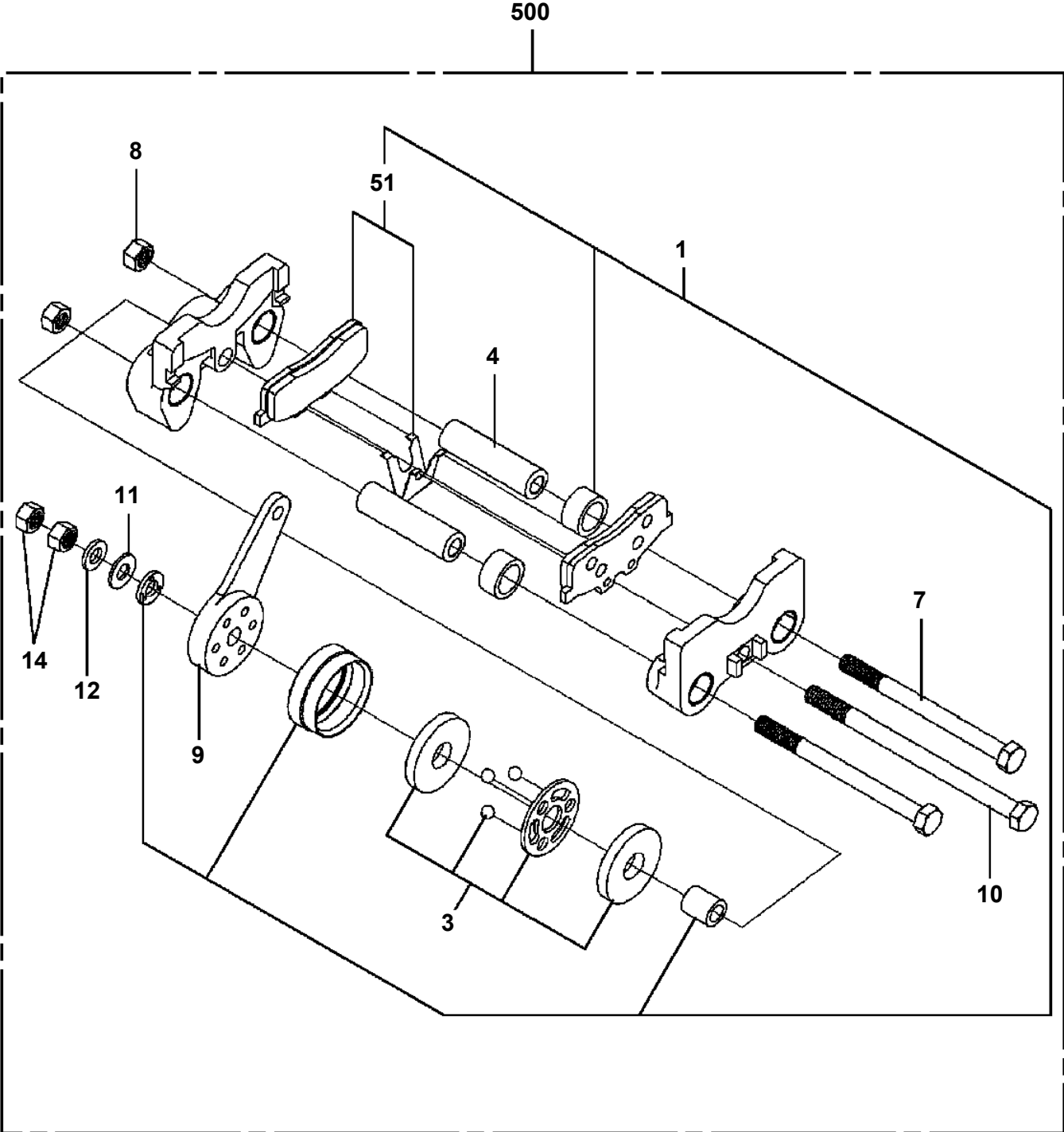
## GR-300E-2-00101 4 BOOM + 2 JIB, 2M2D

Pos No.	Parts No	Parts Name	Qty	Unit	Technical Data	Serial No (Start)	Serial No (End)
1	90186210020	BOLT,FLANGE	12		M10X20		561935
	90186210020	BOLT,FLANGE	11		M10X20	561936	
2	34250882400	SUPPORT	1				
8	99172108016	BOLT,TAPPING	3		M8X16		
10	82100000956	GROMMET	2		SG-36A		
12	34251810100	COVER	1				
13	80176405012	SCREW,MACHINE	27		M5X12		
14	90305260501	WASHER	30		B1-5		
15	34251645000	LEVEL ASSY	1				
16	80186406016	SCREW,MACHINE	37		M6X16		
17	90305260601	WASHER	37		B1-6		
18	90186208020	BOLT,FLANGE	1		M8X20		
19	82100000951	GROMMET	5				
21	82100000920	GROMMET	3				
22	82121800010	PLUG (OTUKA)	3				
23	34251830600	PANEL	1				
24	(*****)	BELT,SEAT (MOUNT)	1				
25	34251280100	SEAT,OPERATOR	1				
26	34252010100	SUPPORT	1				
27	34251810500	COVER	1				
28	34251280400	COVER	1				
29	34251480300	SUPPORT	1				
31	34251280600	COVER	1				
33	34251830100	PANEL	1				
35	34251281500	PANEL	1				
36	82400000468	TRAY,ASH	1				
37	80176405025	SCREW,MACHINE	3		M5X25		
38	37001200180	SPRING	3				
39	80192484012	SCREW,MACHINE (WITH WASHER)	1		M4X12		
40	80192485014	SCREW,MACHINE (WITH WASHER)	2		M5X14		
41	34251480500	COVER	1				
42	34251810900	PANEL	1				
43	34251810800	PANEL	1				
49	34251480200	COVER	1				
50	90280201000	NUT,FLANGE	4		M10		
51	34251221700	COVER	1				
52	34251730200	COVER	1				
53	82100000958	GROMMET	1		30B		
54	82401800060	PLUG (FOR M6)	4				
55	82467300105	PLUG	1				
56	90186210014	BOLT,FLANGE	1		M10X14	561936	
77	82400000203	GROMMET	1		L=250		
80	82400000202	GROMMET	1				

**GR-300E-2-00101 4 BOOM + 2 JIB, 2M2D**

Pos No.	Parts No	Parts Name	Qty	Unit	Technical Data	Serial No (Start)	Serial No (End)	Re
1	34352901120	SWITCH,ROCKER	1					
2	82190521201	SWITCH,ROCKER	1					
3	34352901110	SWITCH,PUSH (ASSY ONLY)	1					
4	34352211140	SWITCH ASSY	1					
5	34353961410	SWITCH ASSY	1					
6	34353961420	PLATE,NAME	1					
7	34251810650	PLATE,NAME	1					
23	34351967530	BULB,LAMP	1		28V 1.12W			
30	34352901130	PLATE ASSY,NAME (NO.1-NO.38)	1					

GR-300E-2-00101 4 BOOM + 2 JIB, 2M2D  
PT1140006-01 BRAKE,PARKING



## GR-300E-2-00101 4 BOOM + 2 JIB, 2M2D

Pos No.	Parts No	Parts Name	Qty	Unit	Technical Data	Serial No (Start)	Serial No (End)	Remarks
2	36870335010	PISTON & ROD ASSY	1				561618	
	36063305010	PISTON & ROD ASSY	1			561619		
4	36870335020	SPRING (RETURN)	1				561618	
	36063305020	SPRING (RETURN)	1			561619		
25	36870335040	NIPPLE	1				561618	
	36063305030	NIPPLE	1			561619		
26	36600635050	SCREW (BREATHER)	1				561618	
	36063305040	SCREW (BREATHER)	1			561619		
31	36600635040	GASKET	1					
32	36600635020	BREATHER,AIR	1				561618	
	36063305050	BREATHER,AIR	1			561619		
34	36600635080	O-RING	1					
50	36062985010	PISTON KIT (REPAIR KIT)	1					
100	36062980000	BOOSTER	1					

# GR-300E-2-00101 4 BOOM + 2 JIB, 2M2D

Pos No.	Parts No	Parts Name	Qty	Unit	Technical Data	Serial No (Start)	Serial No (End)	Remarks	Pa
1	91900000012	TOOL (LEVER BLOCK)	1						

# GR-300E-2-00101 4 BOOM + 2 JIB, 2M2D

Pos No.	Parts No	Parts Name	Qty	Unit	Technical Data	Serial No (Start)	Serial No (End)
10	36120640000	TRANSMITTER ASSY,SIGNAL (LOWER)	1				

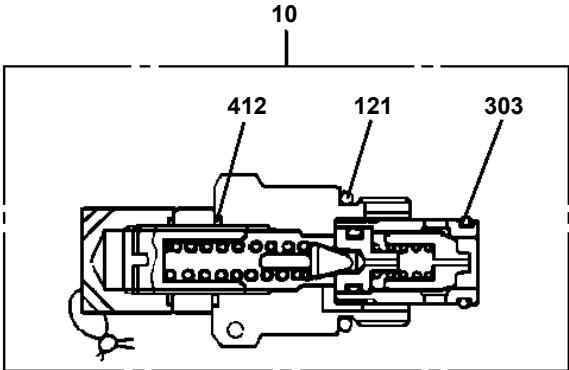
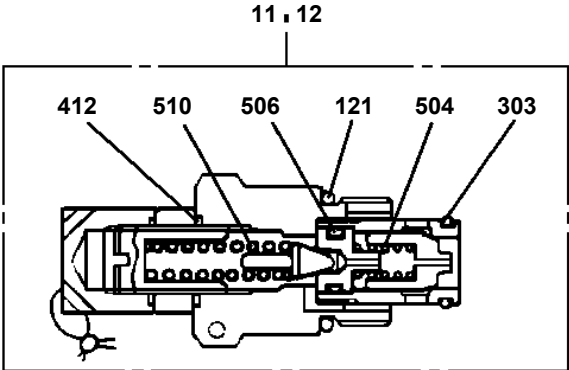
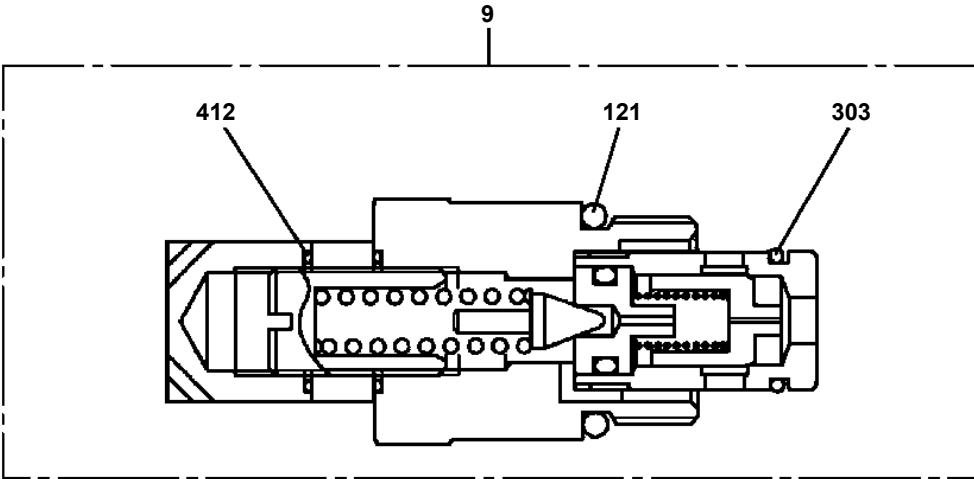
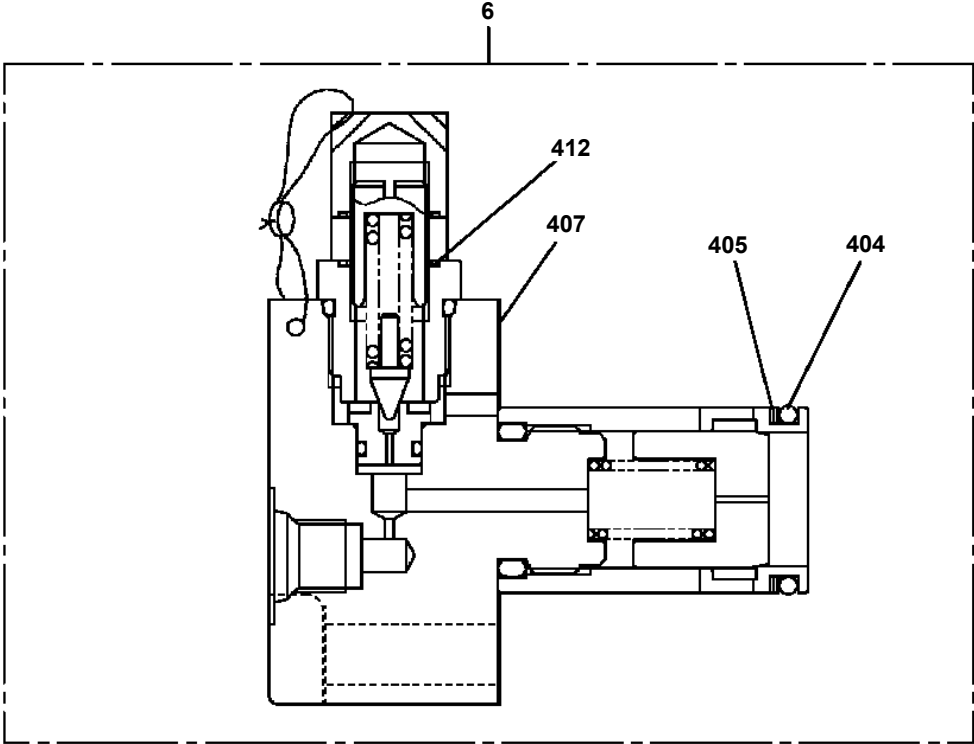
# GR-300E-2-00101 4 BOOM + 2 JIB, 2M2D

Pos No.	Parts No	Parts Name	Qty	Unit	Technical Data	Serial No (Start)	Serial No (End)	Remarks
68	90302050801	WASHER,SPRING	8		8			
69	90302051001	WASHER,SPRING	20		10			
70	36350455450	CHOKE	1					
71	90171110090	BOLT	1		M10X90			
72	36370655070	GEAR (M)	1					
73	36350365460	SPACER (C)	1					

# GR-300E-2-00101 4 BOOM + 2 JIB, 2M2D

Pos No.	Parts No	Parts Name	Qty	Unit	Technical Data	Serial No (Start)	Serial No (End)	Remarks	Pages
1	36607022010	SLEEVE	1						
2	36607022020	POPPET	1						
3	91002803000	O-RING	1		1B P30				
4	91002802100	O-RING	1		1B P21				
5	91411002100	RING,BACKUP	1		P21				
6	37001202470	SPRING	1						
7	36607022030	PLUG	1						
8	91002802000	O-RING	1		1B P20				
100	36607022000	VALVE ASSY	1						

GR-300E-2-00101 4 BOOM + 2 JIB, 2M2D  
PV5190004-02 VALVE ASSY,SELECTOR (PILOT CONT.)



# GR-300E-2-00101 4 BOOM + 2 JIB, 2M2D

Pos No.	Parts No	Parts Name	Qty	Unit	Technical Data	Serial No (Start)	Serial No (End)	Remarks	Pages
1	91900000003	WORKING WEAR	1						
2	91900000004	HELMET	1						

# GR-300E-2-00101 4 BOOM + 2 JIB, 2M2D

Pos No.	Parts No	Parts Name	Qty	Unit	Technical Data	Serial No (Start)	Serial No (End)	Remarks	Pages
1	37003901650	WHEEL,TIRE (WI)	1						000382
2	37003804130	TIRE (DUNLOP)	1						000294

# GR-300E-2-00101 4 BOOM + 2 JIB, 2M2D

Pos No.	Parts No	Parts Name	Qty	Unit	Technical Data	Serial No (Start)	Serial No (End)	Remarks	Page
100	37003901600	WHEEL,TIRE (TOPY)	1						

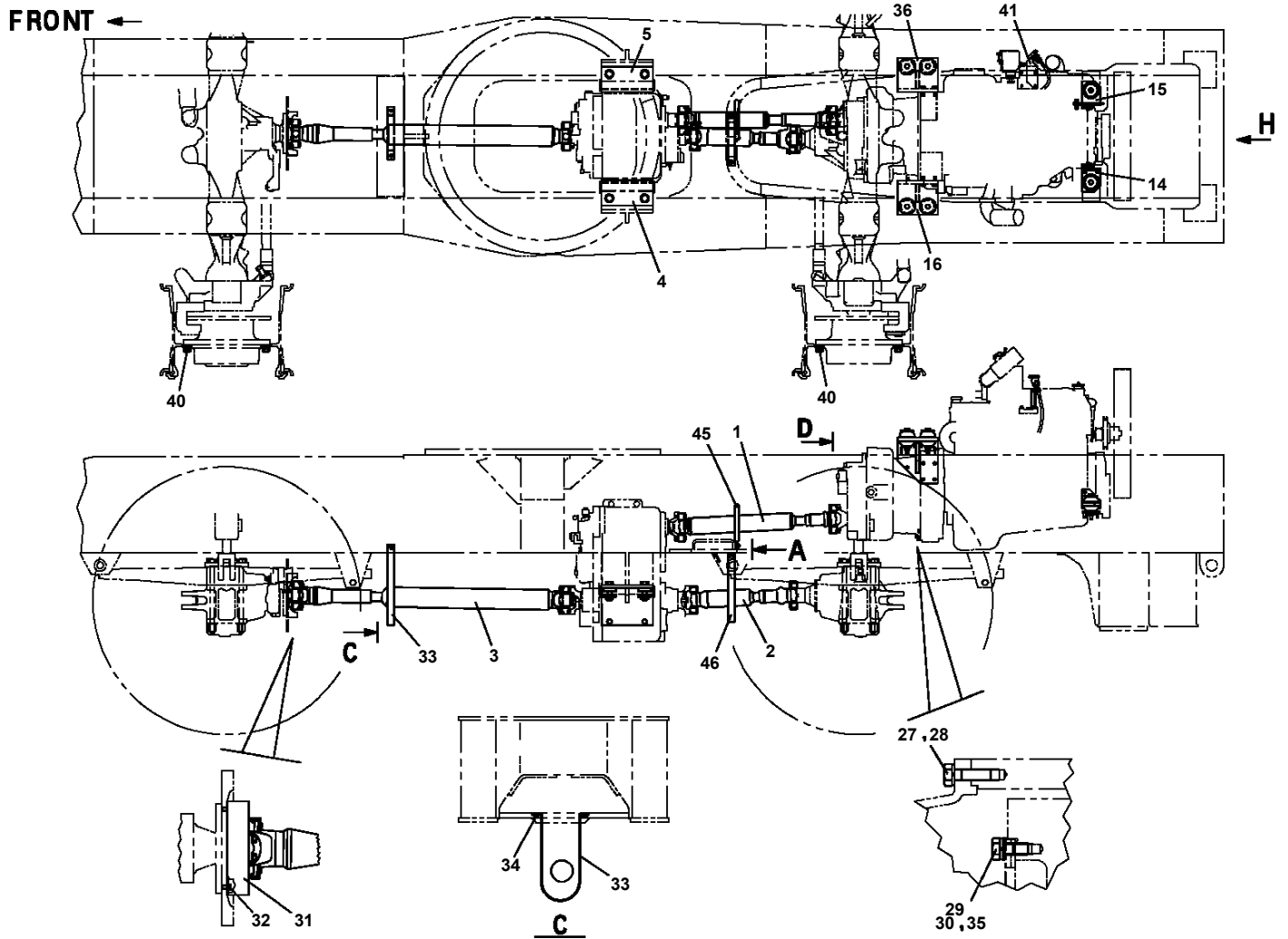
# GR-300E-2-00101 4 BOOM + 2 JIB, 2M2D

Pos No.	Parts No	Parts Name	Qty	Unit	Technical Data	Serial No (Start)	Serial No (End)	Remarks	Pages
1	34491791100	SUPPORT	1						
2	90171112035	BOLT	4		M12X35				
3	90302041201	WASHER,SPRING	4		12				
4	90201781200	NUT	4		M12				

# GR-300E-2-00101 4 BOOM + 2 JIB, 2M2D

Pos No.	Parts No	Parts Name	Qty	Unit	Technical Data	Serial No (Start)	Serial No (End)	Remarks	Pages
1	34393926530	PLATE (NON-SLIP)	8						
2	34393926560	PLATE (NON-SLIP)	4						
4	34393906520	PLATE (NON-SLIP)	5						

**GR-300E-2-00101 4 BOOM + 2 JIB, 2M2D**  
**PX5560006-01 MOUNT ASSY,POWER TRAIN**



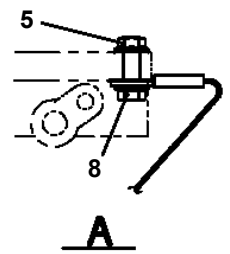
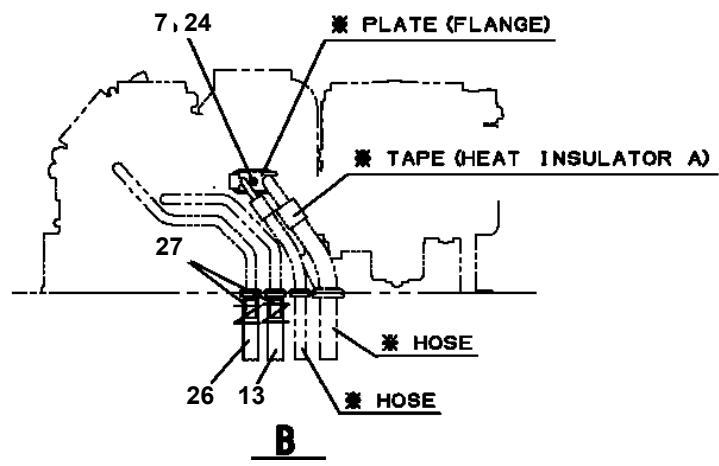
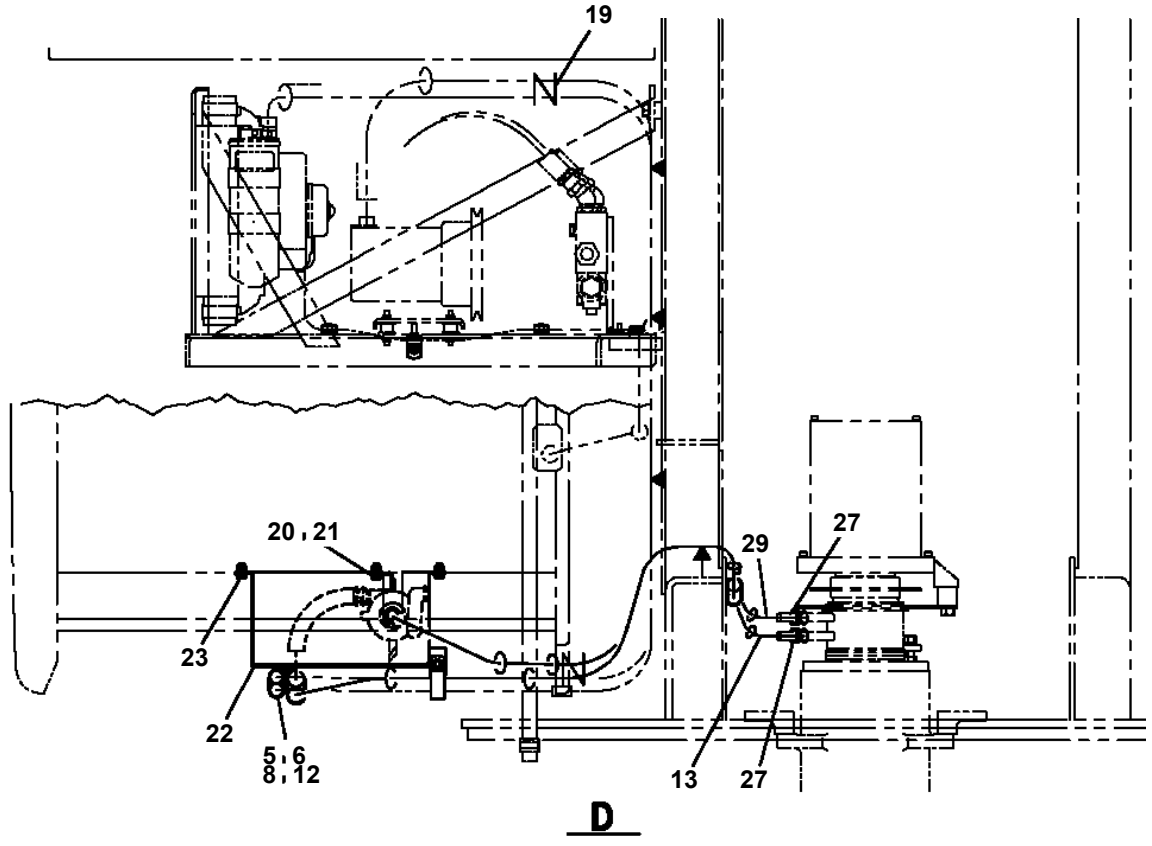
# GR-300E-2-00101 4 BOOM + 2 JIB, 2M2D

Pos No.	Parts No	Parts Name	Qty	Unit	Technical Data	Serial No (Start)
55	82100002018	CLAMP	4		WR35	
	82100002018	CLAMP	1		WR35	561848
56	34781951002	FILTER ASSY (WATER)	1			
57	90101206055	BOLT	2		M6X55	
58	90302040601	WASHER,SPRING	4		6	
59	90303070601	WASHER,PLAIN	2		6	
60	37000931470	JOINT	1		R1/2-13	
61	37000931460	JOINT	1		S,R1/2-13	
62	37002514570	HOSE	1		L=600	
63	91803600300	CLIP	2		D=22-30	
64	37002516380	HOSE (WATER)	1		L=1200	
66	37000932840	JOINT	1		L,3/4-14NPT-19	
67	90101206020	BOLT	2		M6X20	
70	37002517030	HOSE	1		L=2360	
71	35530080600	SENDER (WATER LEVEL)	1			
72	90303381401	WASHER	1		M14	
73	90280200600	NUT,FLANGE	7		M6	
75	82100001803	TUBE,CORRUGATE	1	M	13	
	82100001413	TUBE,SPIRAL	1	M	SE-15BK	
76	82100002009	CLAMP	1		WRC12	
77	91803880100	CLAMP	5		15.5-18.9	
79	82100002041	CLAMP	1			
80	82100002012	CLAMP	2		WR18	
81	37002517070	HOSE	1		L=950	
82	37002517080	HOSE	1		L=820	
83	90186208010	BOLT,FLANGE	2		M8X10	
84	82100002535	TUBE,SPIRAL	1	M	SE-29BK	
85	91810130270	FASTENER	1			
86	91804000440	CLIP	1		D=64-86	561792
87	82100002019	CLAMP	3		WR40	561848
88	82100002052	CLAMP	3			561848
201	(*****)	ACCESSORY LIST (ENGINE:EXH,AIR INTAKE,ETC.)	1			

# GR-300E-2-00101 4 BOOM + 2 JIB, 2M2D

Pos No.	Parts No	Parts Name	Qty	Unit	Technical Data	Serial No (Start)	Serial No (End)
1	80192485014	SCREW,MACHINE (WITH WASHER)	8		M5X14		
2	99172108016	BOLT,TAPPING	20		M8X16		
3	90280200800	NUT,FLANGE	6		M8		
4	34510702800	DUCT	1				
5	34510702700	DUCT	1				
6	34510702100	DUCT	1				
7	34510702400	DUCT	1				
8	34510702300	DUCT	1				
9	34510702200	DUCT	1				
10	34510703200	SUPPORT	1				
11	34510702500	DUCT	1				
12	34510702600	DUCT	1				
13	90186208014	BOLT,FLANGE	4		M8X14		
14	34510703300	SUPPORT	1				
15	37000601600	CLAMP	3		WR54		
16	80175404016	SCREW,MACHINE	6		M4X16		
17	34510712200	SUPPORT	1				
19	91810130250	FASTENER	7				
21	90186208010	BOLT,FLANGE	2		M8X10		
22	90925050101	SCREW,TAPPING	4		M5X10		
23	91801300500	CLIP	3		D=45-50		
24	90186208025	BOLT,FLANGE	4		M8X25		
25	34510702900	COVER	1				
101	(*****)	ACCESSORY LIST (AIR CONDITIONER)	1				561607
	(*****)	ACCESSORY LIST (AIR CONDITIONER)	1			561608	

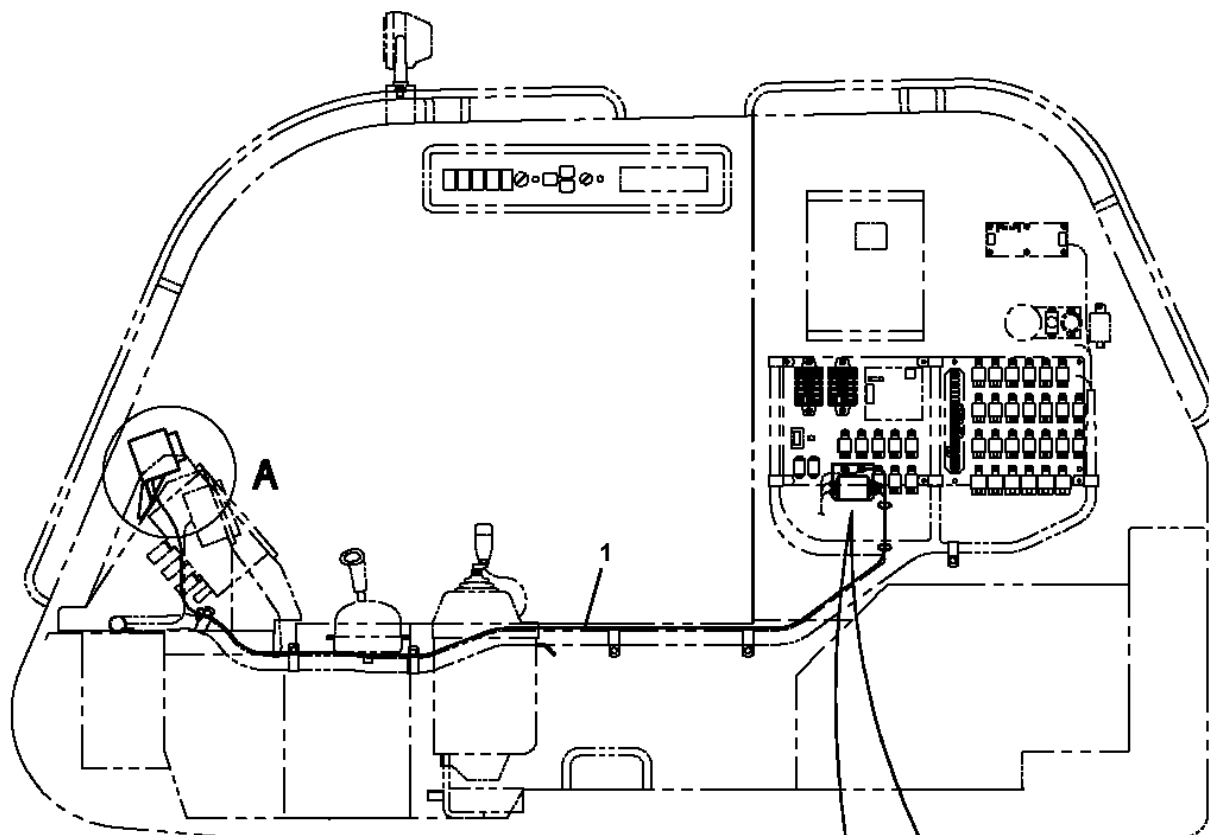
**GR-300E-2-00101 4 BOOM + 2 JIB, 2M2D  
 PY2230039-04 AIR CONDITIONER SYSTEM**



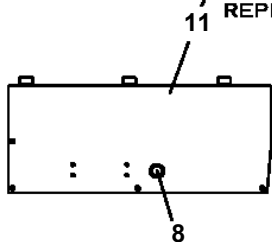
## GR-300E-2-00101 4 BOOM + 2 JIB, 2M2D

Pos No.	Parts No	Parts Name	Qty	Unit	Technical Data	Serial No (Start)	Serial No (End)	Remarks
1	36320395200	CLIP	1					
2	36320396180	SEAL (MECHANICAL)	1					
3	36320395220	ARMATURE ASSY	1					
4	36320395260	HOLDER ASSY (MOTOR)	1					
5	36320395270	BRACKET	1					
6	36320395280	BODY ASSY	1					
7	36320395350	CASING,PUMP	1					
8	36320395360	IMPELLER	1					
10	36320395370	SCREW (WITH WASHER)	2					
11	36320395380	BOLT (WITH WASHER)	3		M6X30			
12	36320395390	BOLT (WITH WASHER)	1		M6X20			
13	36320395400	WASHER	3					
14	36320395410	WASHER,SPRING	1					
15	36320395420	WASHER (RUBBER)	1					
16	36320395430	NUT,HEXAGON	1		M6			
17	36320395440	O-RING	1					
18	36320395450	O-RING	1					
19	36320395460	BAND	1					
22	36320395230	RING	2					
23	36320395030	BEARING,BALL	1					
24	36320395250	BEARING,BALL	1					
31	36320395290	BRUSH (CARBON)	2					
32	36320395300	HOLDER,BRUSH	1					
33	36320395310	SPRING	2					
34	36320395320	GROMMET	1					
35	36320395330	TUBE	1					
36	36320395340	WIRE ASSY	1					
50	36320392081	PUMP,WATER	1					

**GR-300E-2-00101 4 BOOM + 2 JIB, 2M2D  
PY5220001-01 ANEMOMETER ASSY (CAB)**

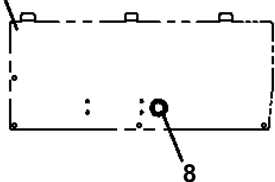


既存品のカバー (342-518-10100) と交換  
REPLACE WITH EXISTING COVER (342-518-10100)

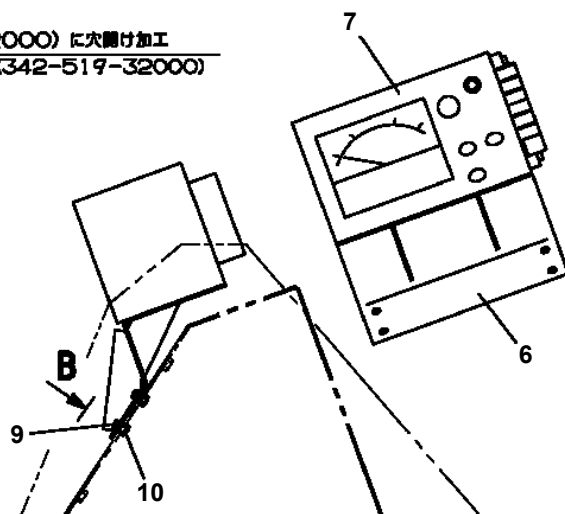
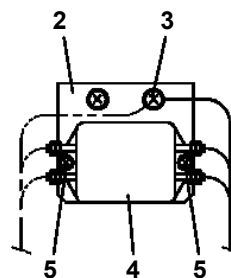


OR

既存品のカバー (342-519-32000) に穴開け加工  
BORE EXISTING COVER (342-519-32000)



**B**



**A**

# GR-300E-2-00101 4 BOOM + 2 JIB, 2M2D

Pos No.	Parts No	Parts Name	Qty	Unit	Technical Data	Serial No (Start)	Serial No (End)
1	(*****)	ANEMOMETER ASSY (CAB)	1				
2	(*****)	ANEMOMETER (SWING FRAME.BOOM)	1				

# GR-300E-2-00101 4 BOOM + 2 JIB, 2M2D

Pos No.	Parts No	Parts Name	Qty	Unit	Technical Data	Serial No (Start)	Ser
1	36381995020	CARRIER SET(DIFFERENTIAL INSTALL BOLT12)	1				
	36381995021	CARRIER SET(DIFFERENTIAL INSTALL BOLT16)	1				
2	34680005170	NUT,RING	4				
3	59172010040	PIN	4				
8	34680005320	BEARING,ROLLER	4				
10	36381995030	GEAR SET (SPIRAL GEAR & PINION GEAR)	2				
11	36381485070	BOLT	40				
12	36381975060	BRAKE,PARKING	2				
13	36380935480	DISTANCE PIECE (T=7.24 ADJUSTING WASHER)	2				
14	36381555100	DISTANCE PIECE	2		T=34		
15	36380875030	COLLAR (SPIRAL PINION)	2				
17	36382225020	COVER	2				
18	34680005230	NUT	2		M30		
19	36381995050	PACKING	2				
20	36381995060	DISTANCE PIECE	2				
21	36381995070	BEARING,ROLLER	2				
22	36381995080	BEARING,ROLLER	2				
23	36381995090	BOLT	20				
24	90302041001	WASHER,SPRING	20		10		
26	34680005310	SEAL,OIL	2				
27	36381975080	BRACKET (CHAMBER)	2				
28	90171116045	BOLT	4		M16X45		
29	90171112030	BOLT	12		M12X30		
31	90303071201	WASHER,PLAIN	12		12		
32	36381975100	WASHER	4				
33	36381495020	FLANGE SET (COMPANION)	2				
34	36382225030	DISK (CENTER BRAKE)	2				
35	36380935190	COVER	4				
40	36381995110	SCREW,SET	4				
41	36381995120	PIN (PARALLEL)	4				
42	36382225050	PINION (DIFFERENTIAL SIDE)	8				
43	36380935070	WASHER,THRUST (DIFF.SIDE PINION)	8				
44	36381555060	GEAR,DIFFERENTIAL	4				
45	36381555070	WASHER,THRUST	4				
46	36382225060	SHAFT (PINION)	2				
47	36382225070	SHAFT (PINION)	4				
51	36382015050	BOLT (DIFF CARRIER)	12				
53	36382015060	WASHER (DIFF CARRIER)	12				
54	36382145290	BOLT (DIFF CARRIER)	16				
55	36381995550	WASHER (DIFF CARRIER)	16				
61	36382225080	HOUSING (COMPLETE,CARRIER SET BOLT12)	1				
	36382225081	HOUSING (COMPLETE,CARRIER SET BOLT16)	1				
62	36381385090	BUSH,KING PIN	4				
63	36381385100	PLATE	4				
64	59172030030	BREATHER,AIR	1				
65	80316030100	PLUG	1		PT3/4		
66	59172081020	PLUG,MAGNET	1		PT3/4		
67	36380675680	RETAINER	2				
68	36382225090	BUSH	2				
69	36381385110	SEAL,OIL	2				
70	36380675690	O-RING	2				
106	36382225100	KNUCKLE	1				
107	36382225110	KNUCKLE	1				
110	59172080010	NIPPLE,GREASE	6		PT1/8	561883	
111	36382146150	SPINDLE,KNUCKLE	2				
112	34680005680	BOLT	40				
114	36380675220	SEAL,OIL	2				
115	36381995190	COLLAR (SEAL)	2				
116	34680005561	PIN,KING	2				
117	36380105370	WASHER,THRUST	2				
118	36381385140	PIN,KING	2				
119	36381385150	WASHER,THRUST	2				
120	36381385120	PIN	4				

CLICK HERE TO **DOWNLOAD** THE COMPLETE MANUAL

- Thank you very much for reading the preview of the manual.
- You can download the complete manual from: [www.heydownloads.com](http://www.heydownloads.com) by clicking the link below



- Please note: If there is no response to CLICKING the link, please download this PDF first and then click on it.

CLICK HERE TO **DOWNLOAD** THE COMPLETE MANUAL