

## **GR-300E-1-00214 4 BOOM + 2 JIB,2M2D**

**PB1000715-00 HYDRAULIC PRESSURE GENERATING SYSTEM**  
**PC1000526-00 OUTRIGGER SYSTEM**  
**PD1000616-00 SWING SYSTEM**  
**PE1000549-00 ELEVATING SYSTEM**  
**PF1000699-00 WINCH SYSTEM**  
**PG1000500-01 TELESCOPING SYSTEM**  
**PH1000625-00 SAFETY DEVICES**  
**PK1000706-00 FRAME**  
**PL1000653-00 CONTROL DEVICES**  
**PM1000032-01 LUBRICATION DEVICES**  
**PN1000595-00 ELECTRIC EQUIPMENT**  
**PO1000150-00 INDICATION PLATES**  
**PQ1000191-01 DRIVING POWER GENERATING SYSTEM**  
**PR1000114-01 DRIVING POWER TRANSMISSION SYSTEM**  
**PS1000187-00 STEERING SYSTEM**  
**PT1000122-00 BRAKE SYSTEM**  
**PU1000116-00 SUSPENSION**  
**PW1000097-02 ACCESSORIES & TOOLS**  
**PX1001176-00 MOUNTING PARTS**  
**PY1001433-01 OPTIONS**  
**ASSEMBLY**

CLICK HERE TO **DOWNLOAD** THE COMPLETE MANUAL

- Thank you very much for reading the preview of the manual.
- You can download the complete manual from: [www.heydownloads.com](http://www.heydownloads.com) by clicking the link below



- Please note: If there is no response to CLICKING the link, please download this PDF first and then click on it.

CLICK HERE TO **DOWNLOAD** THE COMPLETE MANUAL

# GR-300E-1-00214 4 BOOM + 2 JIB,2M2D

Pos No.	Parts No	Parts Name	Qty	Unit	Technical Data	Serial No (Start)	Serial No (End)	Remark
1	37001803480	ROPE,WIRE (TSK)	1					
2	37001808260	ROPE,WIRE (TSK)	1					
3	(*****)	SOCKET,ROPE	1					
4	(*****)	SOCKET,ROPE (SEIZING )	1					
5	(*****)	PIPING ASSY,WINCH (MAIN)	1					
6	(*****)	PIPING ASSY (AUX.WINCH)	1					
7	(*****)	MOUNT,WINCH (MAIN)	1					
8	(*****)	MOUNT,WINCH (AUX.)	1					

# GR-300E-1-00214 4 BOOM + 2 JIB,2M2D

Pos No.	Parts No	Parts Name	Qty	Unit	Technical Data	Serial No (Start)	Serial No (End)	Remarks	Pages
1	(*****)	PARTS,GREASING	1						000197

# GR-300E-1-00214 4 BOOM + 2 JIB,2M2D

Pos No.	Parts No	Parts Name	Qty	Unit	Technical Data	Serial No (Start)	Serial No (End)
1	(*****)	STEERING ASSY (CAB)	1				
2	(*****)	PIPING,STEERING (UPPER)	1				
3	(*****)	PIPING,STEERING (LOWER)	1				
4	(*****)	CYLINDER,STEERING INSTALLATION	1				

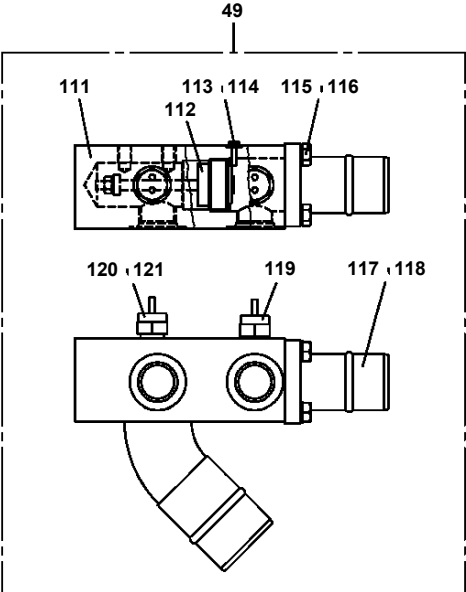
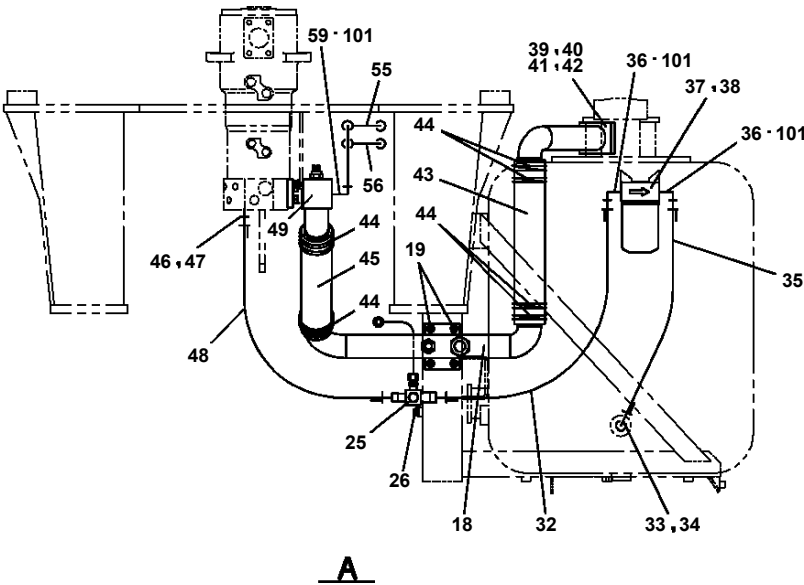
# GR-300E-1-00214 4 BOOM + 2 JIB,2M2D

Pos No.	Parts No	Parts Name	Qty	Unit	Technical Data
1	(*****)	DETECTOR,DISORDERLY WIND (MAIN)	1		
2	(*****)	DETECTOR,DISORDERLY WIND (AUX.)	1		
3	(*****)	SINGLE TOP	1		
4	(*****)	INDICATOR ASSY,DRUM (MAIN)	1		
5	(*****)	INDICATOR ASSY,DRUM (AUX.)	1		
6	(*****)	PIPING,STEERING (EMERGENCY)	1		
7	(*****)	FAN	1		
8	(*****)	INFLATOR,AIR	1		
9	(*****)	NON-SLIP PLATE (SHAL)	1		
12	(*****)	TOOL BOX INSTALLATION (IRON)	1		
13	(*****)	HOOK (30TON/ENGLISH & FRENCH)	1		
	(*****)	HOOK (30TON/ENG.& RUSSIAN)	1		
14	(*****)	HOOK (20TON/ENGLISH & FRENCH)	1		
	(*****)	HOOK (20TON/ENG.& RUSSIAN)	1		
15	(*****)	HOOK (4TON/ENGLISH & FRENCH:WITH MOUNT)	1		
	(*****)	HOOK (4TON/ENGLISH & RUSSIAN:WITH MOUNT)	1		
16	37001907000	ROPE,WIRE (STOWING FOR MAIN HOOK)	1		
17	(*****)	HEATER (ENGINE PRE-HEATER)	1		
	(*****)	HEATER ASSY	1		
18	(*****)	ACCESSORIES (COLDPROOF SEAL)	1		
19	(*****)	OPE.ASSY,CONT.VALVE (PEDAL NEUTRAL)	1		
22	34460904000	TOOLS (WORK)	1		
23	(*****)	ACCESSORIES (MET & WEAR)	1		
26	(*****)	DETECTOR,OVER UNWIND (MAIN)	1		
27	(*****)	DETECTOR,OVER UNWIND (AUX.)	1		
29	(*****)	BELT,SEAT (MOUNT)	1		
30	(*****)	GUARD (PROPELLER SHAFT)	1		
31	(*****)	LAMP (LICENSE)	1		
33	(*****)	MOUNT ASSY,ROLLER (SLACK CABLE PREVENTION,WITH SW/MAIN)	1		
34	(*****)	MOUNT ASSY,ROLLER (SLACK CABLE PREVENTION,WITH SW/AUX.)	1		
37	(*****)	INDICATOR ASSY (-25C CRANE OPE. STOP)	1		
41	(*****)	MOUNT ASSY,COMPRESSOR	1		
42	(*****)	EVAPORATOR (MOUNT)	1		
43	(*****)	AIR CONDITIONER SYSTEM	1		
44	(*****)	PIPING (HOT WATER)	1		
46	36320690000	AIR CONDITIONER	1		
71	(*****)	ANEMOMETER ASSY (CAB)	1		
72	(*****)	ANEMOMETER (SWING FRAME.BOOM)	1		

# GR-300E-1-00214 4 BOOM + 2 JIB,2M2D

Pos No.	Parts No	Parts Name	Qty	Unit	Technical Data	Serial No (Start)	Serial M
1	36653525010	SEAL KIT	1				
10	36653520000	PUMP,HYDRAULIC (EMERGENCY STEERING)	1				

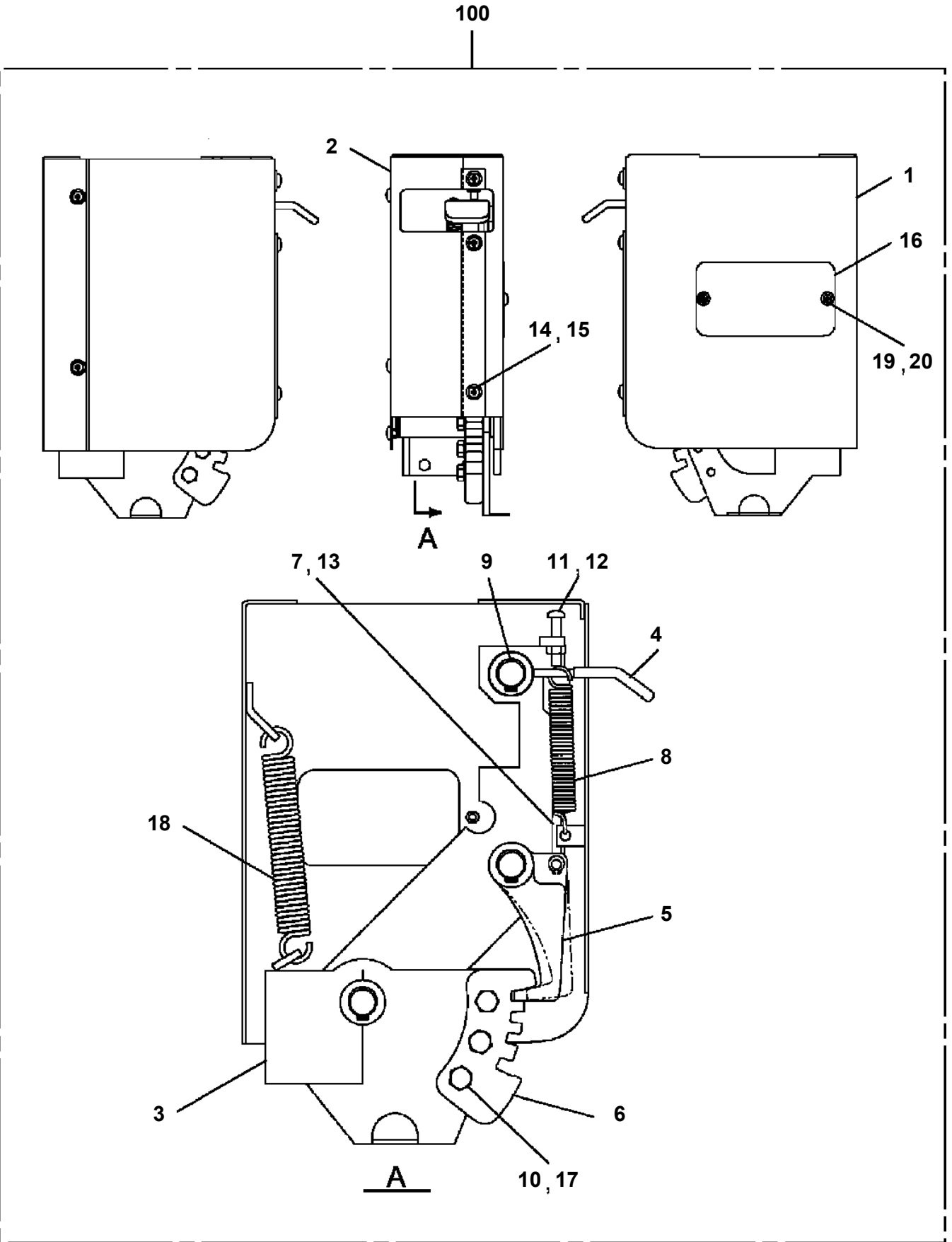
**GR-300E-1-00214 4 BOOM + 2 JIB,2M2D  
PB1260262-00 PIPING,RETURN (LOWER)**



# GR-300E-1-00214 4 BOOM + 2 JIB,2M2D

Pos No.	Parts No	Parts Name	Qty	Unit	Technical Data	Serial No (Start)	Serial No (End)
1	36636505010	PLUG	5				
2	36630535190	PLUG	25				
3	36648335010	BOLT	1				
4	36648335020	STOPPER	1				
5	36646615010	COVER (1)	1				
6	36646615020	COVER (2)	1				
7	36648335030	SEAT,SPRING	2				
8	36646405030	SPRING (INNER)	1				
9	36646405150	SPRING (OUTER)	1				
10	36646405050	O-RING	1				
11	91002903500	O-RING	1		1B G35		
12	91002800700	O-RING	2		1B P7		
13	36648335040	THROTTLE	2				
14	36646965020	PLUG	4				
15	36646405060	VALVE,SOLENOID	2				
16	91002801100	O-RING	4		1B P11		
17	90131506020	BOLT,HEXAGON SOCKET	4		M6X20		
18	90131506080	BOLT,HEXAGON SOCKET	2		M6X80		
19	90131506055	BOLT,HEXAGON SOCKET	2		M6X55		
20	36648335050	PLUG	1				
21	36646615030	SPRING	1				
22	91002802200	O-RING	3		1B P22		
23	36080285170	BREATHER,AIR	1				
24	36648335060	POPPET	1				
25	36648335070	POPPET	2				
26	36646405080	SPRING	1				
27	36646405090	SPRING	2				
28	36648335080	CAP	1				
29	36648335090	PLUG	2				
30	91002803000	O-RING	1		1B P30		
31	36648335100	SEAT,SPRING	2				
32	36632155030	SPRING	2				
33	80560054000	BALL,STEEL	2		5/32		
34	36648965010	SEAT	2				
35	91002800800	O-RING	2		1B P8		
36	36646615050	VALVE,RELIEF	2				
37	36646405120	VALVE,SOLENOID	1				
38	36646615100	VALVE,RELIEF	1				
39	36646615090	VALVE,SOLENOID	1				
40	36648975010	PLUNGER	1				
41	36648975020	PLUNGER (SUB)	1				
51	91000501300	O-RING	1		AS568-013		
52	91000501400	O-RING	1		014 1115-70		
53	91000501500	O-RING	1		AS568-015		
54	91002802000	O-RING	1		1B P20		
100	36648970000	VALVE,SOLENOID CONTROL (SWING)	1				

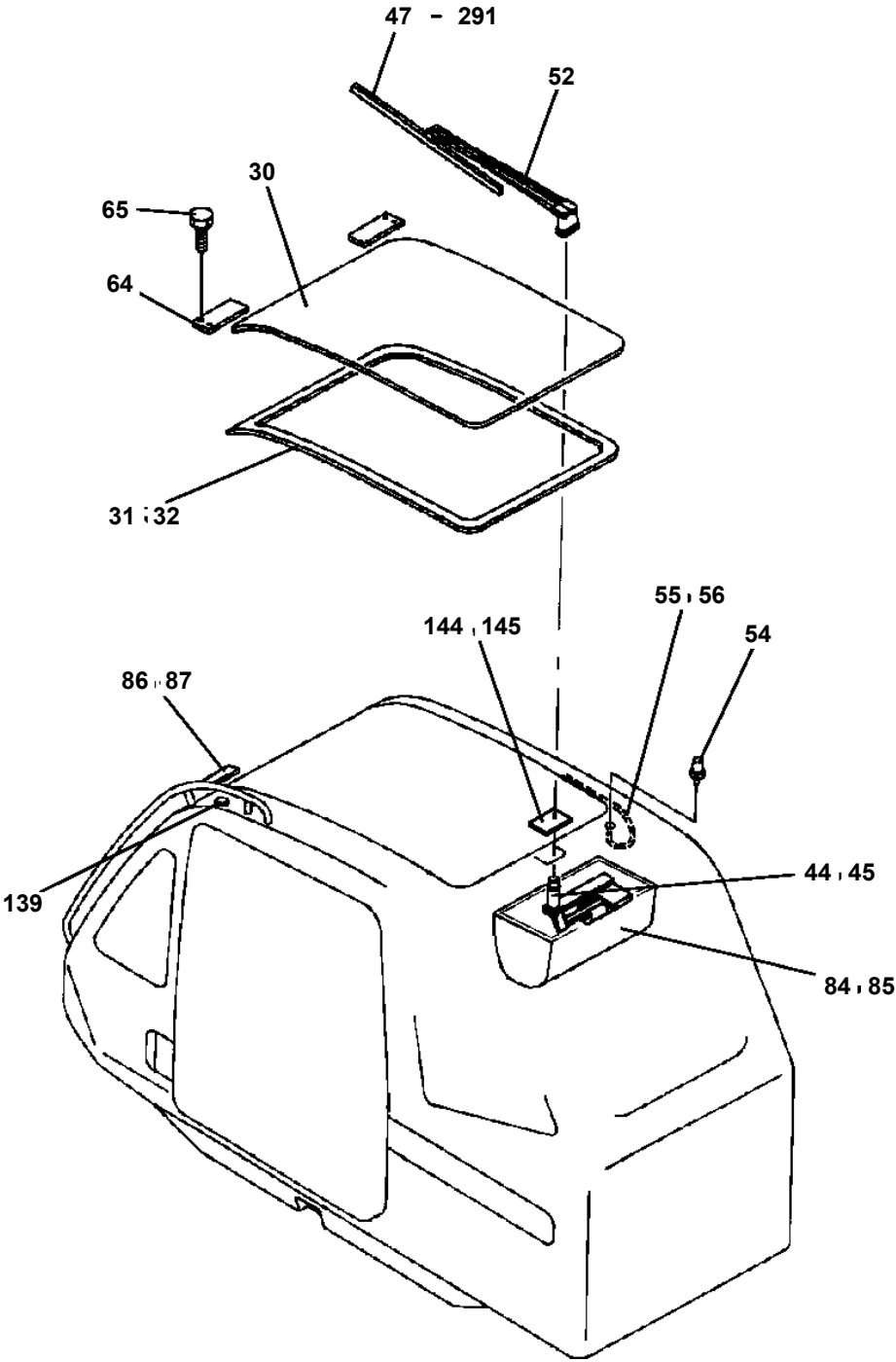
GR-300E-1-00214 4 BOOM + 2 JIB,2M2D  
PB5260005-00 BOX ASSY



## GR-300E-1-00214 4 BOOM + 2 JIB,2M2D

Pos No.	Parts No	Parts Name	Qty	Unit	Technical Data	Serial No (Start)	Serial No (End)	Rema
1	36645730000	VALVE,SOLENOID (NACHI)	4					
	36647890000	VALVE,SOLENOID (UCHIDA)	4					
	36647900000	VALVE,SOLENOID (TOKIMEC)	4					
2	34640523100	FITTING,FLANGE	4					
3	80400160129	JOINT	8					
4	91002801400	O-RING	28		1B P14			
5	90186210014	BOLT,FLANGE	8		M10X14			
6	81408000160	PIPE,STEEL	4	M	12X1.4T			
7	81408000160	PIPE,STEEL	4	M	12X1.4T			
8	80301010100	FITTING	4		KUA12-000N			
11	81408000241	PIPE,STEEL	2	M	18X1.9T			
12	81408000241	PIPE,STEEL	2	M	18X1.9T			
13	81408000160	PIPE,STEEL	3	M	12X1.4T			
14	81408000160	PIPE,STEEL	3	M	12X1.4T			
15	81408000160	PIPE,STEEL	3	M	12X1.4T			
16	81408000160	PIPE,STEEL	3	M	12X1.4T			
17	37000701510	CLAMP ASSY	14		12X2			
18	80330004900	FITTING,TEE	4		KTR12X18X12			
19	80430620600	JOINT (WITH O-RING)	4		L,G3/8-G3/8			
20	80302090161	FITTING	8		KCO12-030N			
21	81408000241	PIPE,STEEL	1	M	18X1.9T			
22	81408000160	PIPE,STEEL	3	M	12X1.4T			
23	81408000160	PIPE,STEEL	3	M	12X1.4T			
24	81408000160	PIPE,STEEL	3	M	12X1.4T			
25	81408000160	PIPE,STEEL	3	M	12X1.4T			
26	81408000160	PIPE,STEEL	3	M	12X1.4T			
27	81408000160	PIPE,STEEL	3	M	12X1.4T			
28	81408000241	PIPE,STEEL	1	M	18X1.9T			
29	80305010160	FITTING,TEE	2		KTA18-000E			
30	81408000241	PIPE,STEEL	1	M	18X1.9T			
31	80302090251	FITTING	2		KCO018-060N			
32	91002802400	O-RING	2		1B P24			
33	81408000241	PIPE,STEEL	1	M	18X1.9T			
34	81408000241	PIPE,STEEL	1	M	18X1.9T			
35	80302090241	FITTING	2		KCO18-040N			
36	91002801800	O-RING	2		1B P18			
37	90186210020	BOLT,FLANGE	2		M10X20			
38	36624540000	VALVE,CHECK	1					
39	37002466900	HOSE	12		L=660			
40	37000711080	CLAMP ASSY	2		12-2			
41	90280200800	NUT,FLANGE	2		M8			
61	91002801400	O-RING	4		1B P14			

**GR-300E-1-00214 4 BOOM + 2 JIB,2M2D**  
**PC5010004-02 CAB ASSY**



# GR-300E-1-00214 4 BOOM + 2 JIB,2M2D

Pos No.	Parts No	Parts Name	Qty	Unit	Technical Data	Serial No (Start)	Serial No (End)	Rem
1	36350725120	SHAFT ASSY	1					
2	36350485690	RING,SEAL	2					
3	36350485700	PISTON ASSY	2					
4	36350485710	RING,SEAL	2					
8	36350485820	PLATE (CONICAL)	2					
9	36350277040	RING,RETAINING	2					
10	36350277050	WASHER,THRUST	8					
11	36350485750	SPRING	2					
12	80601110500	RING,RITAINING	7		S50			
13	36350725130	GEAR	1					
14	80500006010	BEARING,BALL	4					
15	36350556050	RING,RETAINING	2					
16	36350725140	GEAR	1					
17	36350267180	WASHER	1					
18	36370325160	BEARING,BALL	1					
19	36370208100	BEARING,BALL	1					
20	36350556070	WASHER	2					
21	80601110450	RING,RITAINING	1		S45			
22	36350267140	RING,SEAL	3					
50	36350556080	DISK KIT	1					
100	36350725010	CLUTCH PACK,TRANSMISSION	1					

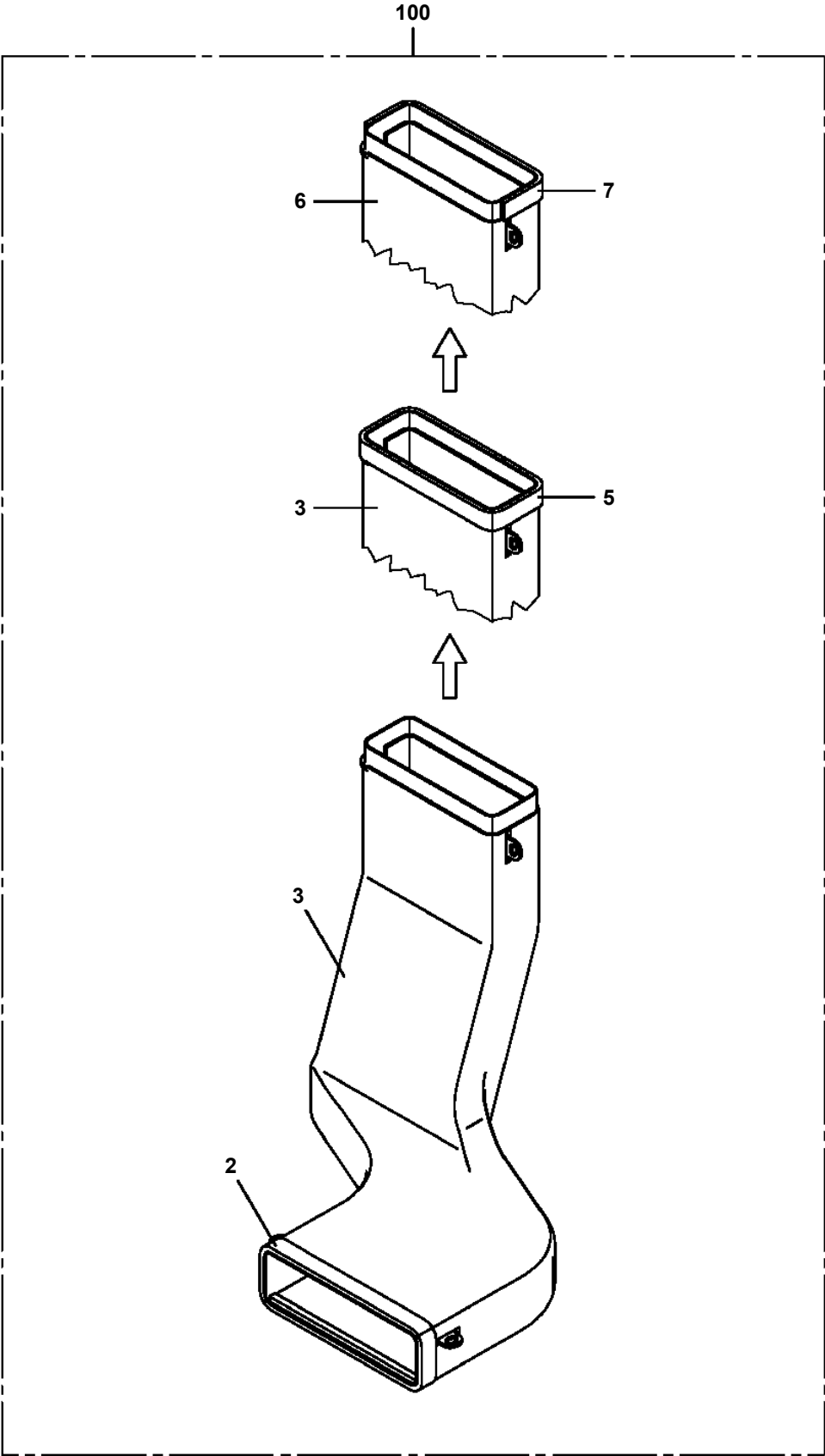
# GR-300E-1-00214 4 BOOM + 2 JIB,2M2D

Pos No.	Parts No	Parts Name	Qty	Unit	Technical Data	Serial No (Start)	Serial No (End)	Remarks
8	36171295010	BOARD,CPU (WITH DATA)	1					
100	36171290000	CONTROLLER (DCU)	1					

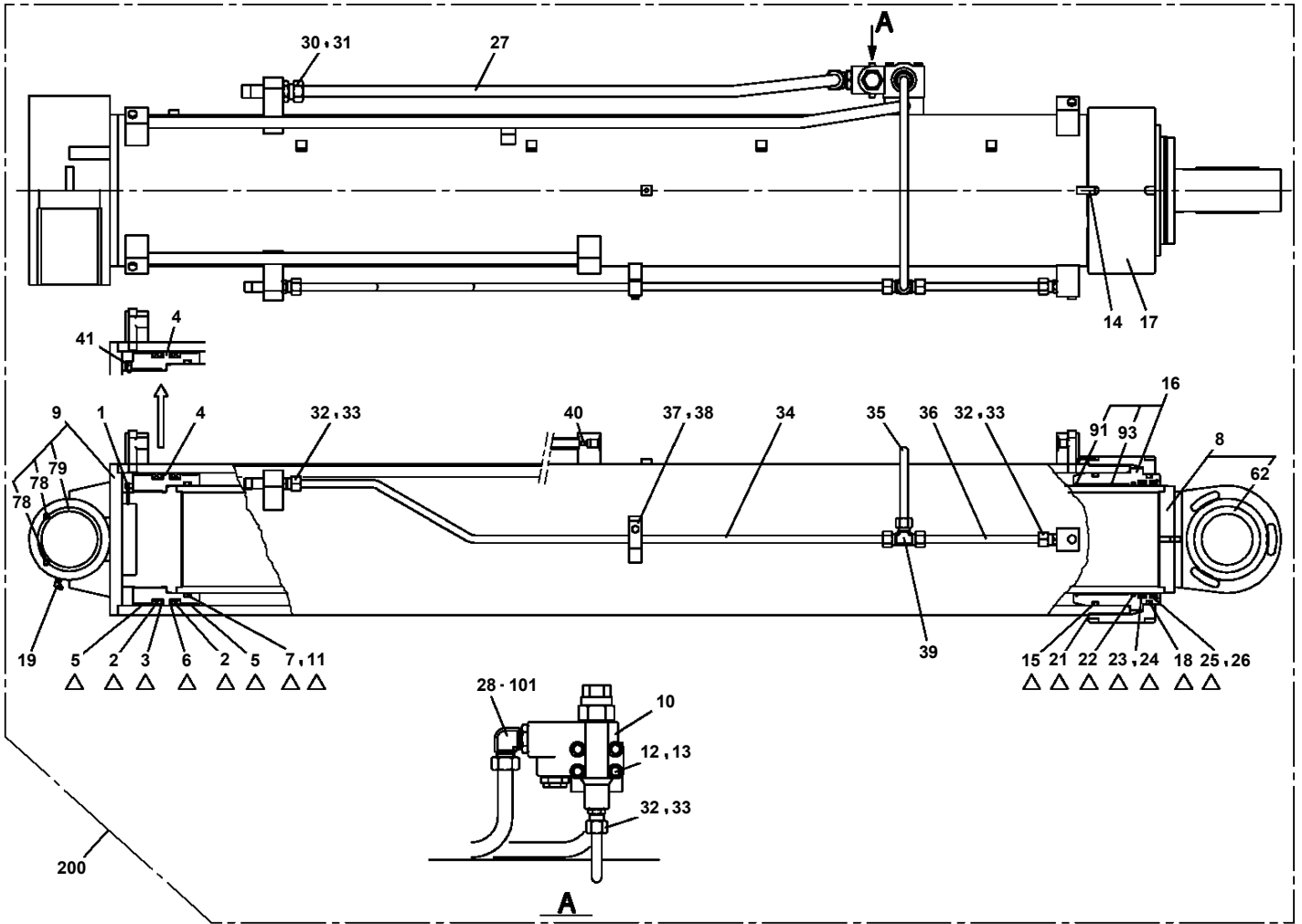
# GR-300E-1-00214 4 BOOM + 2 JIB,2M2D

Pos No.	Parts No	Parts Name	Qty	Unit	Technical Data	Serial No (Start)	Serial No (End)	Remarks	Pa
2	36663170000	MOTOR,HYDRAULIC	1						00
11	36081265010	GEAR,SUN	1						
12	90101508030	BOLT	8		M8X30				
13	90302040801	WASHER,SPRING	8		8				
14	36080515010	RING,THRUST	1		AS1102				
15	36081265020	CASING	1				562060		
	36081265021	CASING	1			562061			
16	36080625140	BEARING,NEEDLE	3						
17	36081265030	GEAR,PLANETARY	3						
18	36070925180	RING,THRUST	3						
20	80500006313	BEARING,BALL	1						
21	36081265040	BEARING,ROLLER	1				562060		
	36081135040	BEARING,ROLLER	1			562061			
22	36081265050	RETAINER	1				562060		
	36081135020	RETAINER (A)	1			562061			
23	36081265060	GEAR,SPUR	1				562060		
	36081905040	GEAR,SPUR	1			562061			
27	36080625190	BEARING,NEEDLE	3						
28	36081265070	GEAR,PLANETARY	3						
29	36070845250	RING,THRUST	3						
32	36081265090	GEAR,SUN	1						
33	80316090060	PLUG	1		KKT PT3/8				
34	36081265100	RING,SNAP	1		AS65X4-00				
35	91210075001	SEAL,OIL	1						
51	36081265300	CARRIER ASSY (A)	1						
52	36081265310	CARRIER ASSY (B)	1						
100	36081460000	DRIVING UNIT,SWING	1						

GR-300E-1-00214 4 BOOM + 2 JIB,2M2D  
PD5360003-00 DUCT

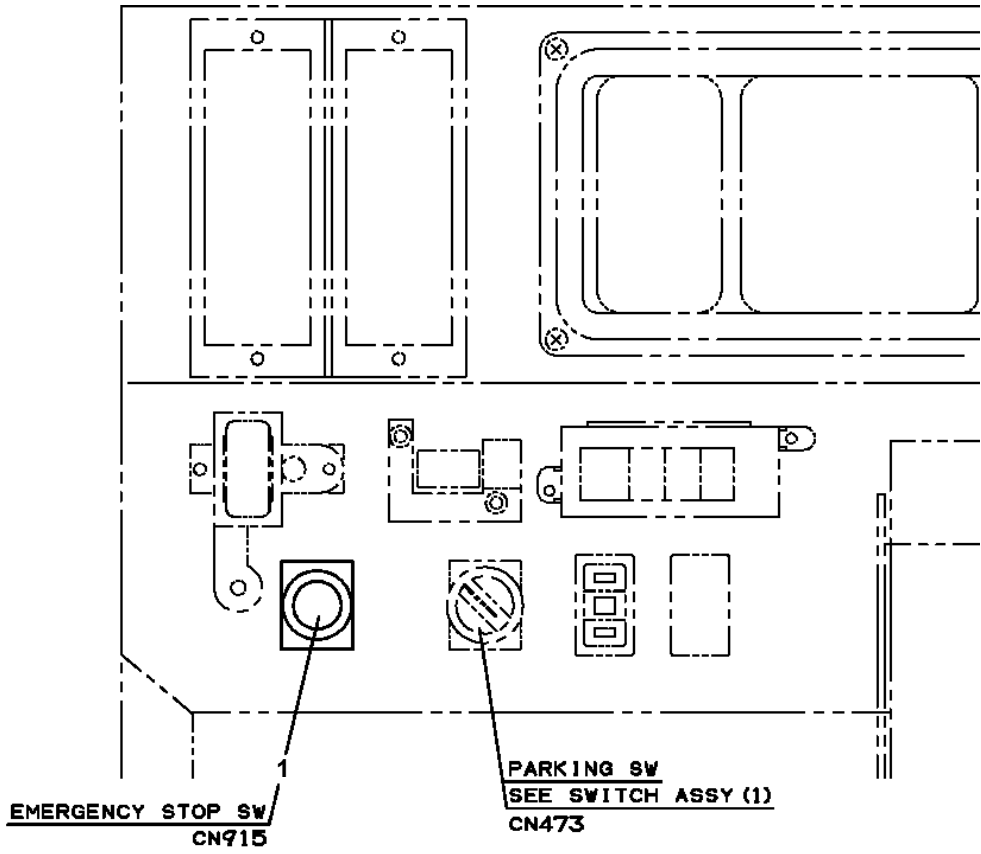


**GR-300E-1-00214 4 BOOM + 2 JIB,2M2D  
PE1010447-03 CYLINDER,ELEVATING**

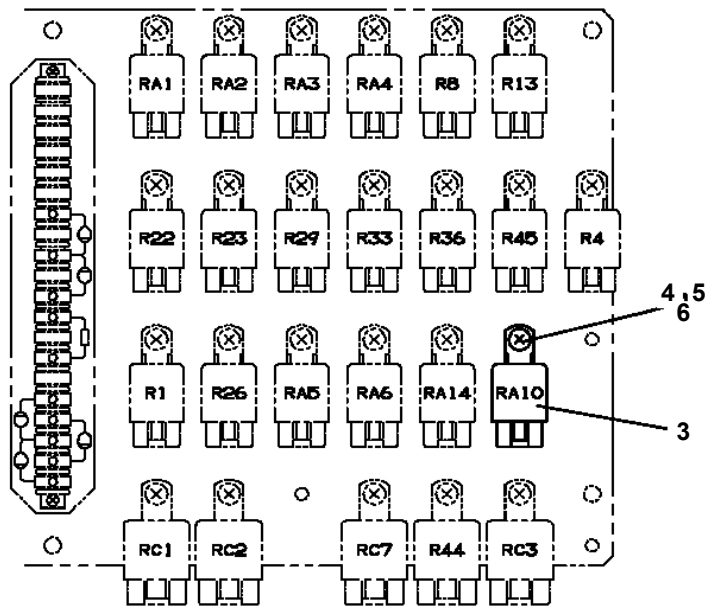


△:PACKING SET KEY NO. 300 (KEY NO.2,3,5,6,7,11,15,18,21,22,23,24,25)

**GR-300E-1-00214 4 BOOM + 2 JIB,2M2D**  
**PE5020014-00 ELEC.ASSY (CAB:EMERGENCY STOP)**



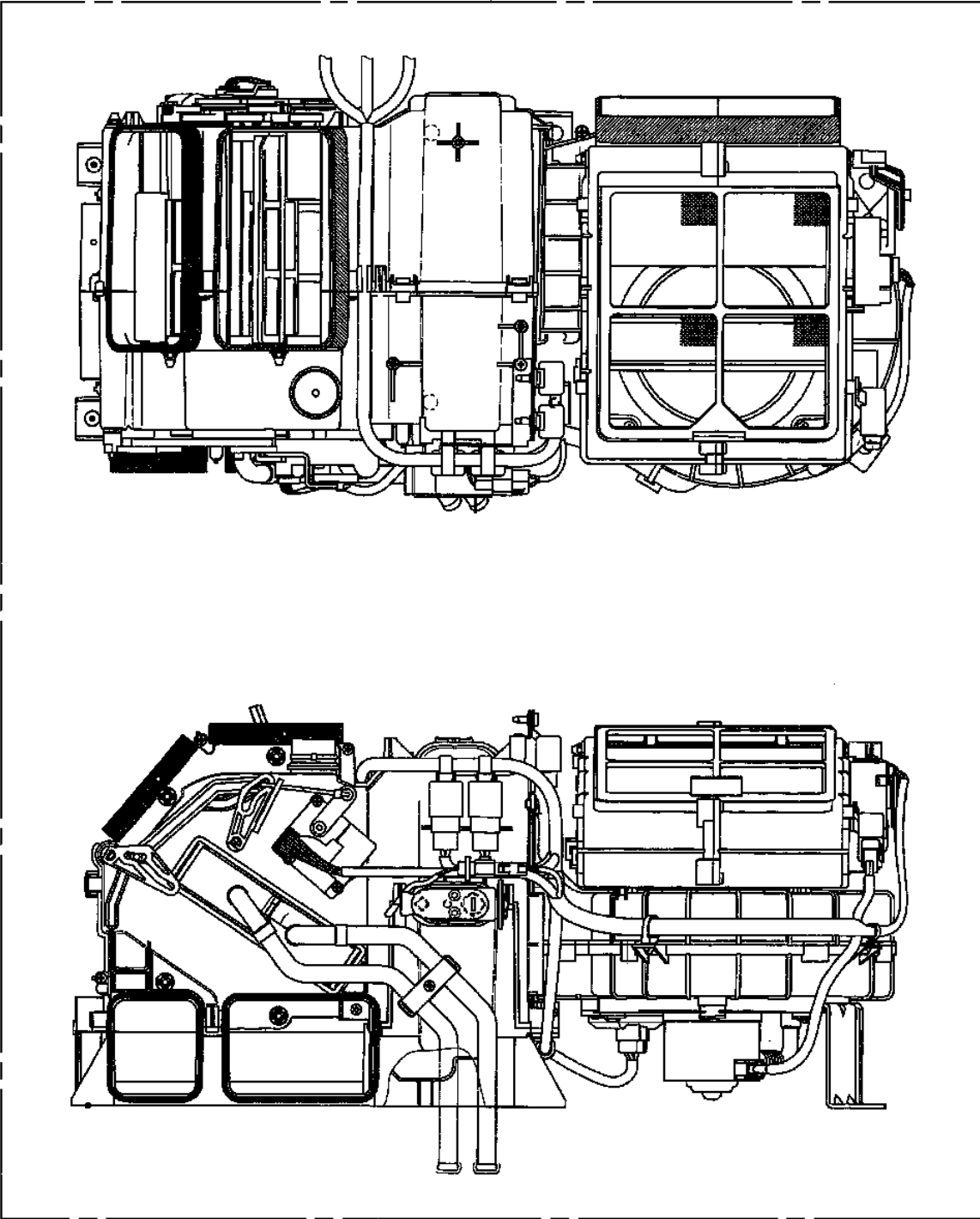
FRONT PANEL



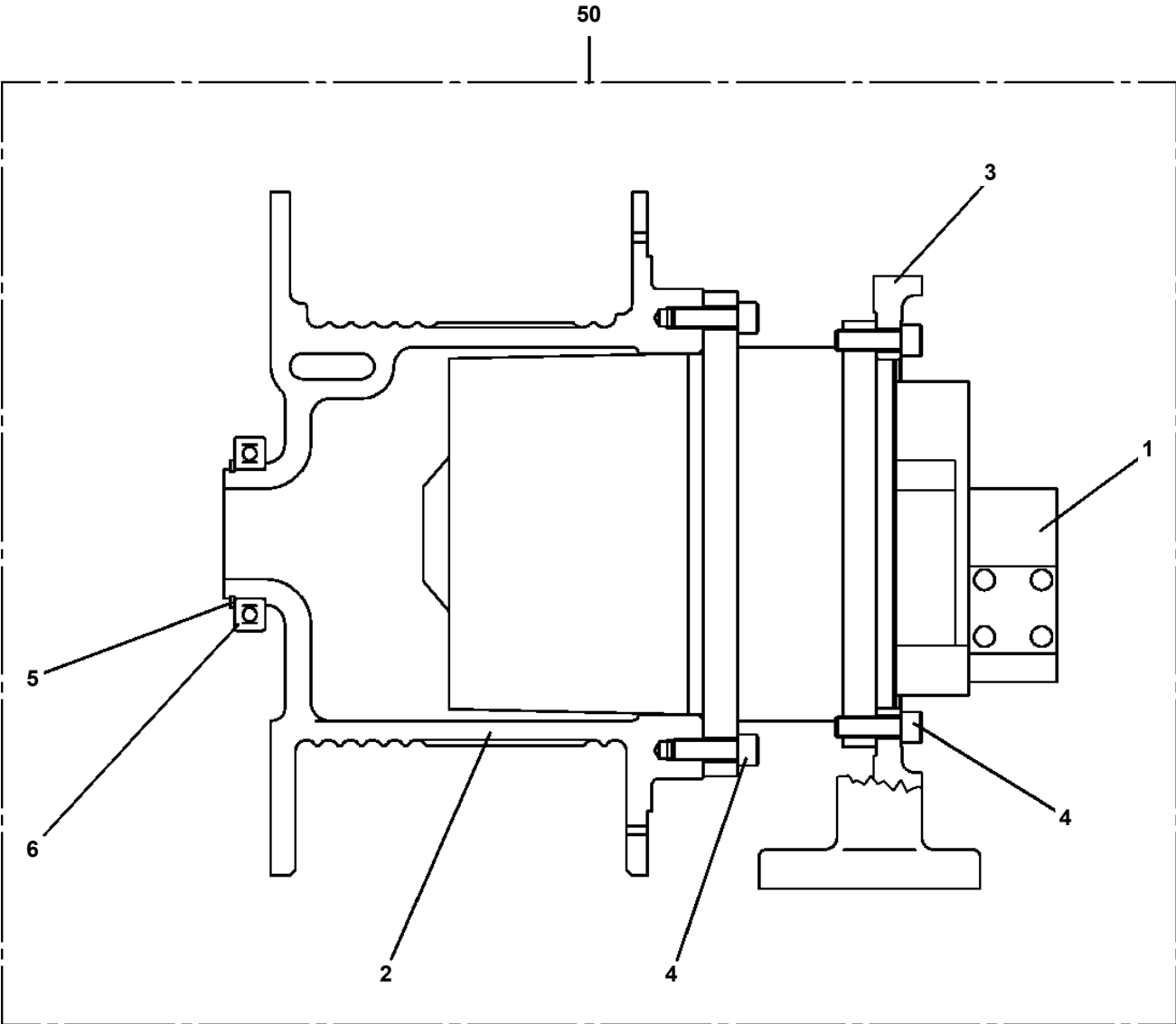
RELAY ASSY

GR-300E-1-00214 4 BOOM + 2 JIB,2M2D  
PE5220001-02 EVAPORATOR ASSY

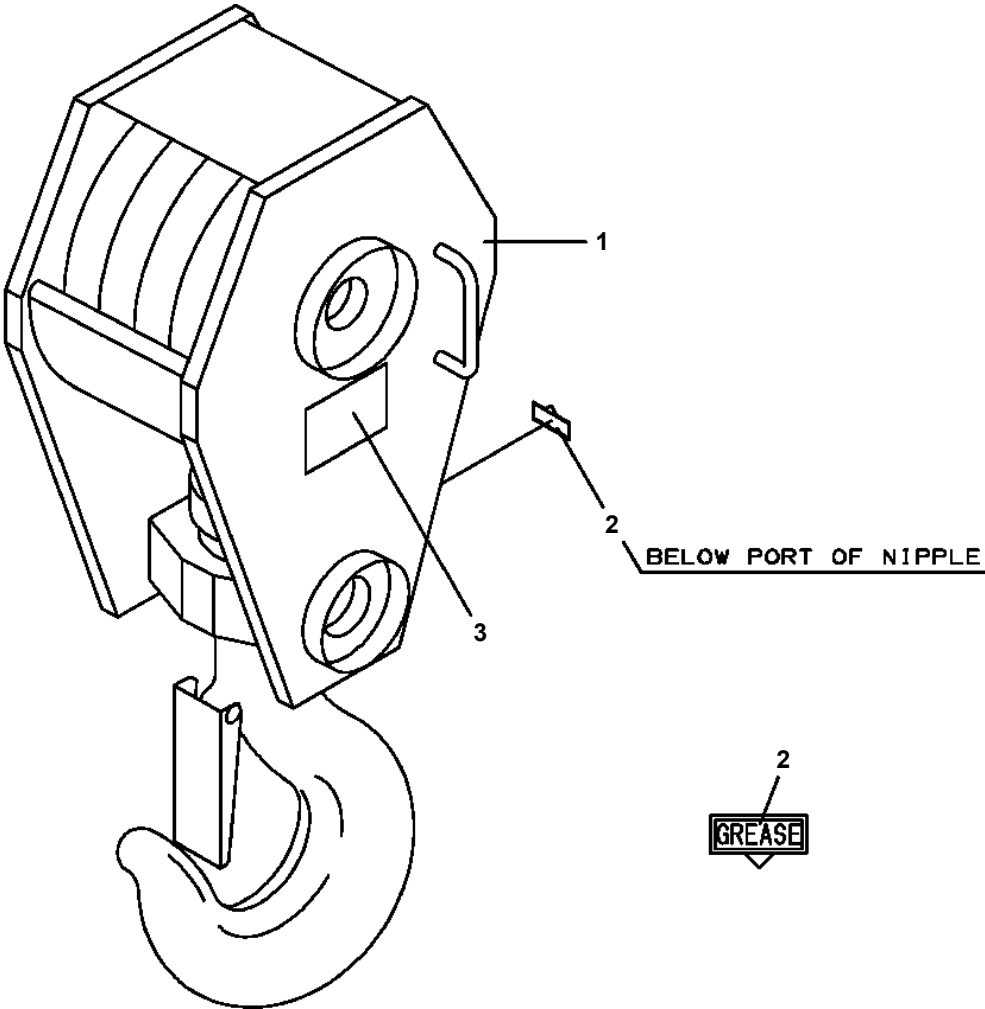
1 → 21



**GR-300E-1-00214 4 BOOM + 2 JIB,2M2D**  
**PF1010305-00 WINCH**

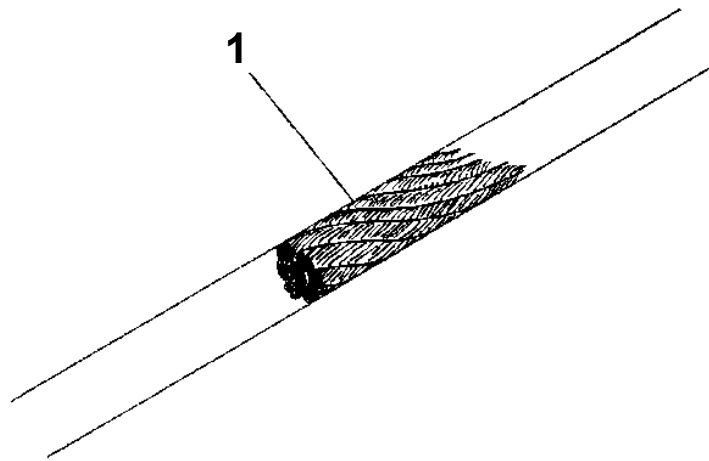


**GR-300E-1-00214 4 BOOM + 2 JIB,2M2D**  
**PF1050477-01 HOOK (30TON/ENG.& RUSSIAN)**

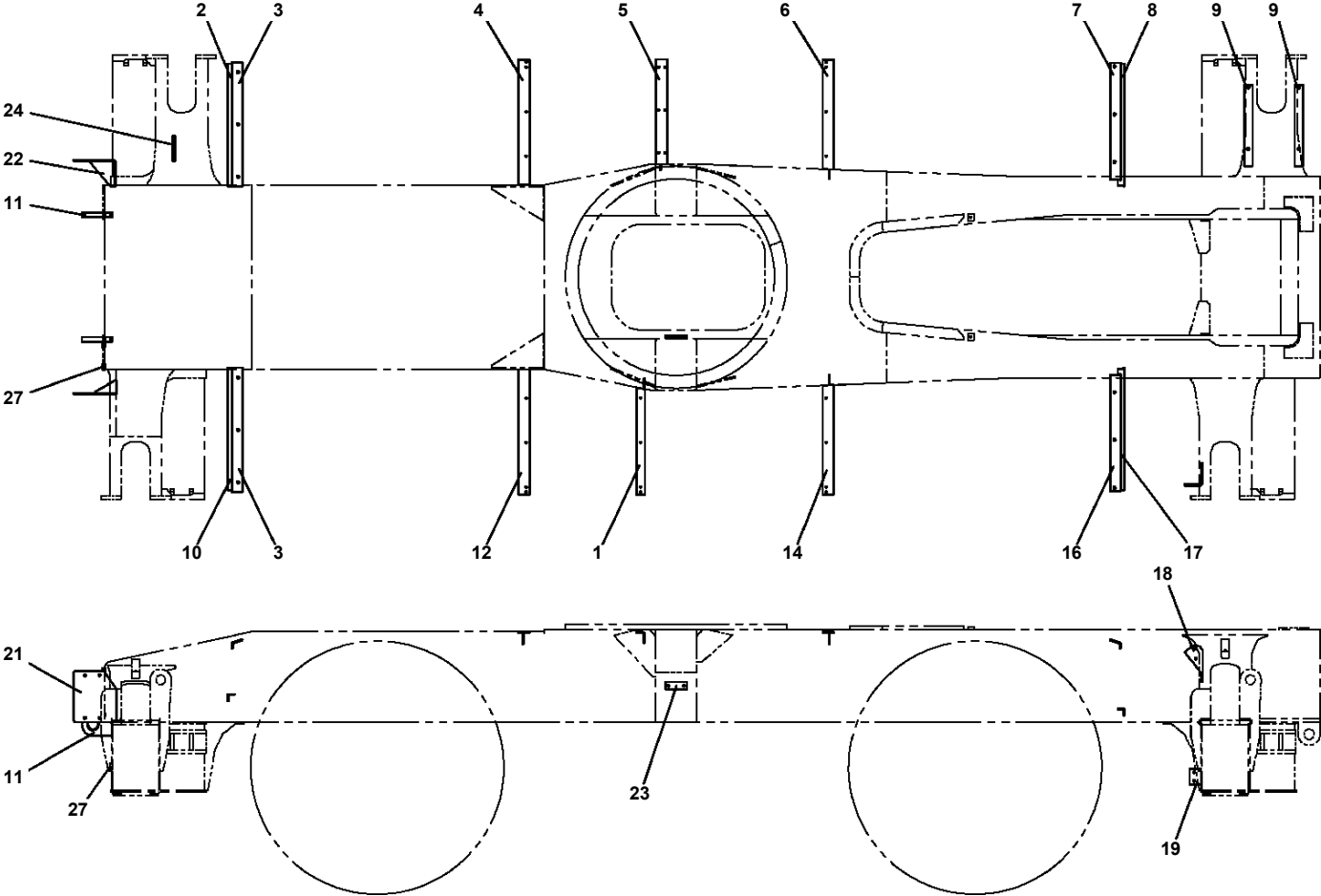


**GR-300E-1-00214 4 BOOM + 2 JIB,2M2D**  
**PF1070032-00 ROPE,WIRE (TSK)**

---



**GR-300E-1-00214 4 BOOM + 2 JIB,2M2D**  
**PF1080146-01 SUPPORT (FENDER)**



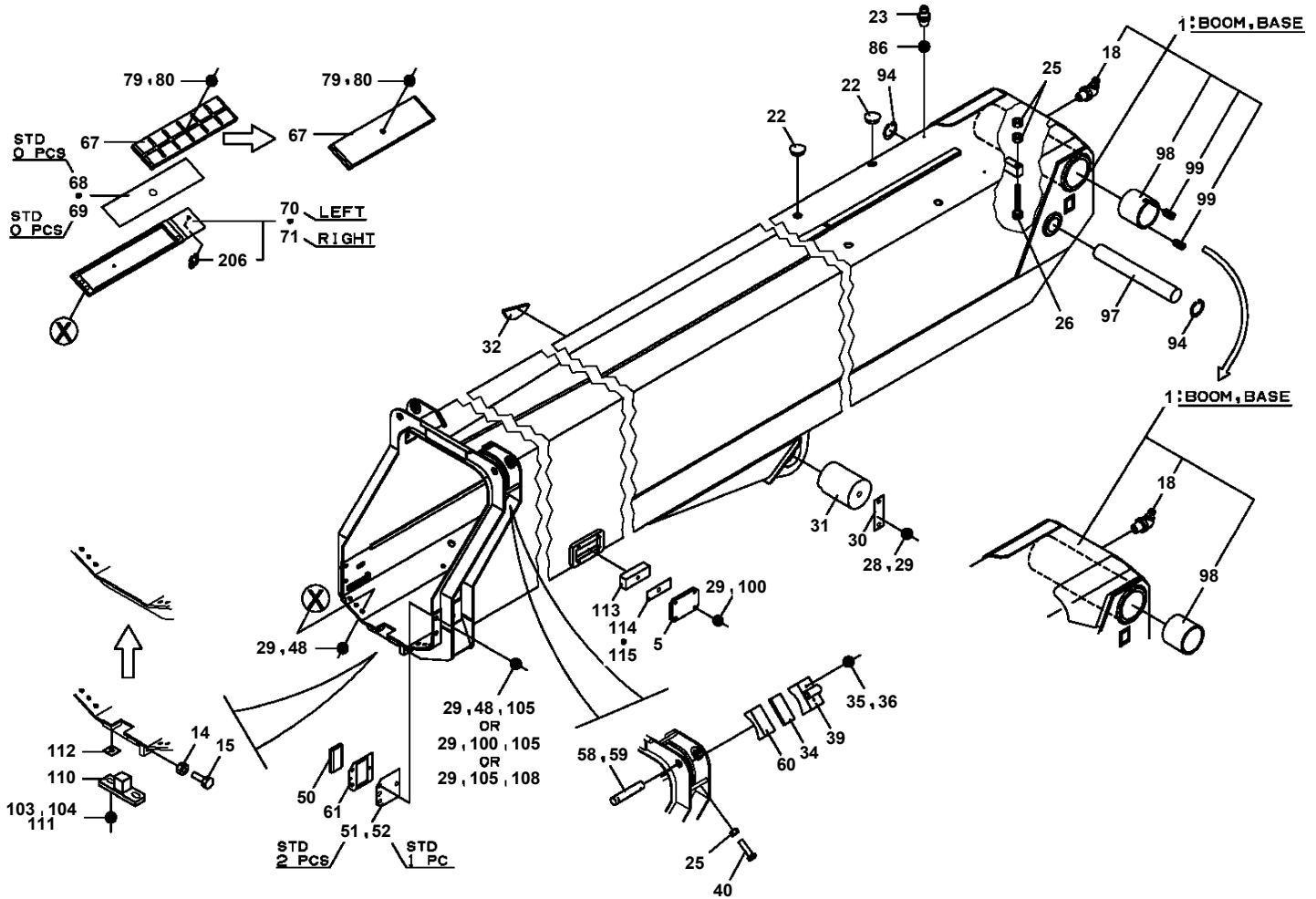
# GR-300E-1-00214 4 BOOM + 2 JIB,2M2D

Pos No.	Parts No	Parts Name	Qty	Unit	Technical Data	Serial No (Start)	Serial No (End)	Remarks	Pages
1	37000129750	PIN	1						
2	90171110016	BOLT	1		M10X16				
3	90302041001	WASHER,SPRING	1		10				
4	37002600241	WEDGE	1						000354
5	37002600501	SOCKET,ROPE	1		14&16				
6	83151411600	CLIP	1						
7	80136363045	PIN,SPLIT	1		6.3X45				
8	33290882200	WIRE	1						

## GR-300E-1-00214 4 BOOM + 2 JIB,2M2D

Pos No.	Parts No	Parts Name	Qty	Unit	Technical Data	Serial No (Start)	Serial No (End)	Remarks
1	34442151200	SWITCH ASSY	1					
2	90203201000	NUT	1		M10			
3	90102210030	BOLT	1		M10X30			
5	36682750000	SWITCH,PRESSURE	1					
6	91002801100	O-RING	1		1B P11			
7	37000925320	JOINT (FILTER,WITH O-RING)	1		T,3-G1/4			
21	82100000624	SWITCH,LIMIT	1					
22	33470120040	COVER	1					
23	33470120050	SUPPORT	1					
24	80171105008	SCREW,MACHINE	4		M5X8			
25	90302040501	WASHER,SPRING	4		5			
26	14148375000	GROMMET	1					
27	82114101030	CONNECTOR (3P,MALE)	1					
28	82111101020	TERMINAL	3					
29	82100000182	INSULATOR	3					
30	82100000562	TERMINAL	3					
31	82121101125	PLUG (AVS1.25)	3					
32	82121102030	HOLDER (3P,BOTH)	1					
44	91002801100	O-RING	1		1B P11			

**GR-300E-1-00214 4 BOOM + 2 JIB,2M2D**  
**PG1010857-06 BOOM**



図中の左右の表示は、ブーム後端から先端を見たものです。  
 THE RIGHT AND LEFT IN FIGURE ARE THE EXPRESSION THAT SEES FROM BOOM END TO TOP.

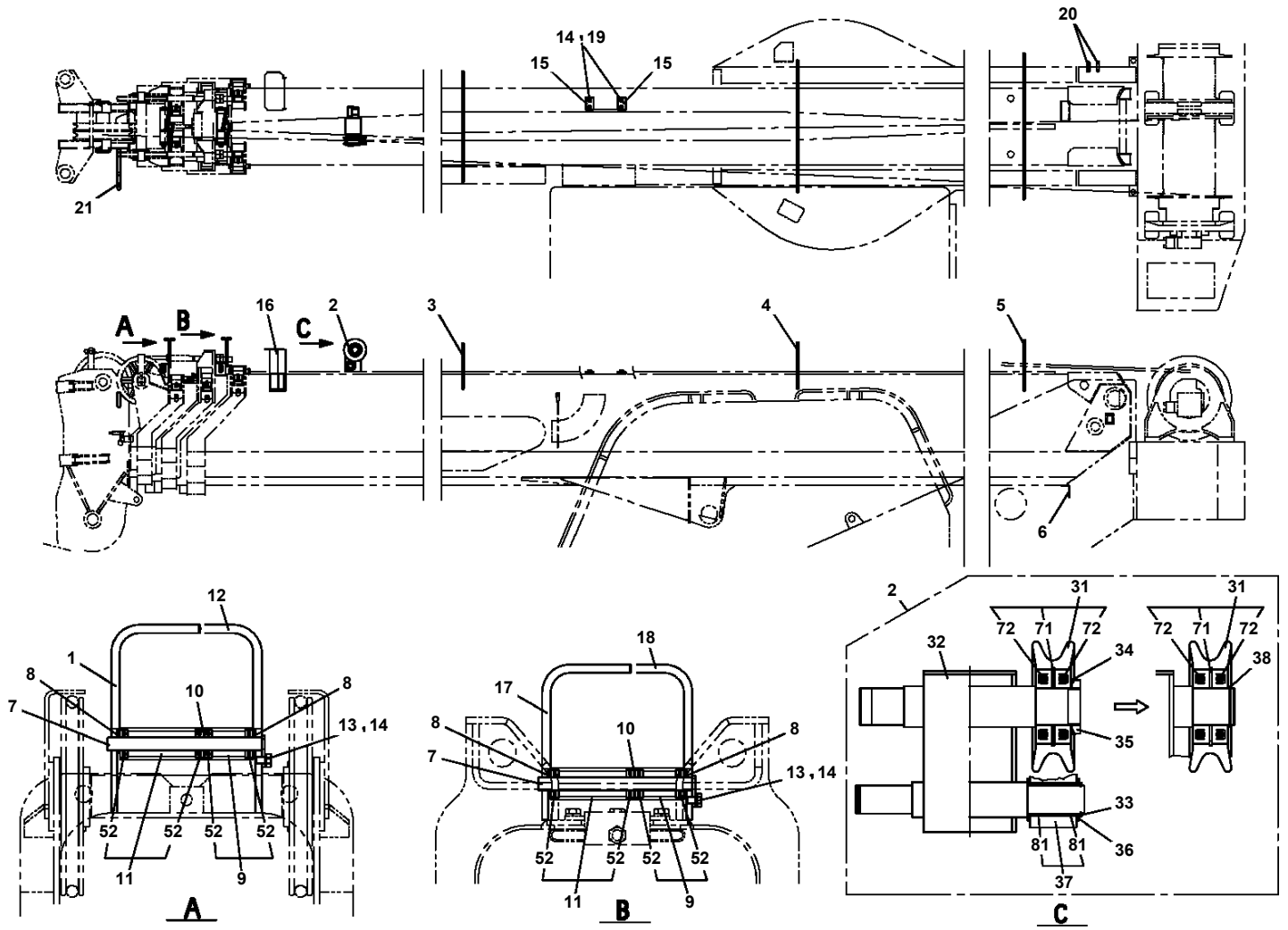
# GR-300E-1-00214 4 BOOM + 2 JIB,2M2D

Pos No.	Parts No	Parts Name	Qty	Unit	Technical Data	Serial No (Start)	Serial No (End)	Remarks	Page
2	37001103920	ROLLER ASSY	1						
3	37000130270	PIN	2						
4	80601110450	RING,RITAINING	4		S45				
5	37001103940	ROLLER ASSY	1						
6	37000303600	SPACER	2						
7	34220123000	GUIDE ASSY	1						
8	14111314000	COLLAR	2						
9	14121004000	PIN	1						
10	90101208016	BOLT	1		M8X16				
11	90302040801	WASHER,SPRING	1		8				
12	37001000380	SHEAVE ASSY	1						
13	34440270900	GUARD	1						
32	80801004550	BEARING,PLAIN	2						
41	34220083500	SPACER	4						
42	80530000116	BEARING,ROLLER	2						
51	34220123010	GUIDE	1						
52	34220123050	SUPPORT	1						
53	18616010001	SPRING	1						
54	80720108045	PIN,SPRING	1		8X45				
62	12111503000	SPACER	1						
63	80514006206	BEARING,BALL	2				562053		
	80513006206	BEARING,BALL	2			562054			
64	80602110620	RING,RITAINING	1		R62				
71	34442920610	SUPPORT	1						
72	34440040210	SUPPORT	1						
73	90101208030	BOLT	2		M8X30		562285		
	90101208025	BOLT	2		M8X25	562286			
74	90201200800	NUT	2		M8				
75	90302040801	WASHER,SPRING	2		8		562285		
	90303070801	WASHER,PLAIN	2		8	562286			
81	82100002506	CONNECTOR	2						
82	82100002505	CONNECTOR (CN-6)	2						
83	83152012200	SHACKLE	1						
84	14148375000	GROMMET	2						
86	82100000207	CLAMP	5						
87	90928040061	SCREW,TAPPING	5		M4X6				
100	34221669510	JIB (1)	1						

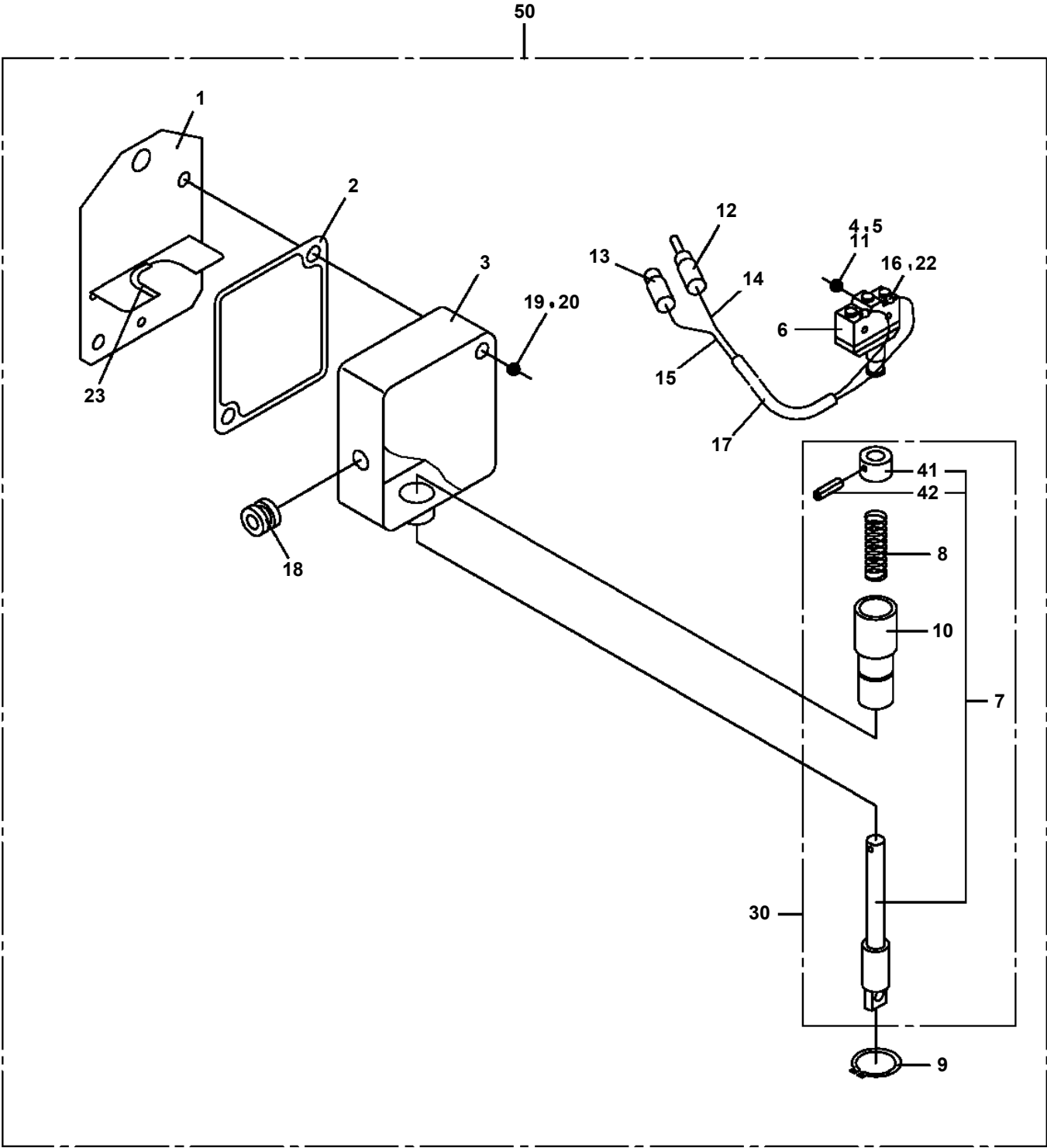
# GR-300E-1-00214 4 BOOM + 2 JIB,2M2D

Pos No.	Parts No	Parts Name	Qty	Unit	Technical Data	Serial No (Start)	Serial No (End)	R
1	18616057000	COLLAR	2		L=5			
2	37000100350	PIN	1					
3	37001100040	ROLLER ASSY	2					
4	90303102001	WASHER,PLAIN	2		20			
5	80136340030	PIN,SPLIT	2		4X30			
6	59457138000	PLUG ASSY	1					
8	37001603050	NUT	1					
9	91302213000	BEARING,PLAIN	2					
10	91684013000	PACKING	2					
11	91431211501	RING,BACKUP	1					
12	36017874000	PISTON	1					
13	91002909500	O-RING	1		1B G95			
14	36017871001	ROD	1					
15	36017888810	CYLINDER	1					
16	91002913000	O-RING	1		1B G130			
17	36016514000	COVER,ROD	1					
18	36010523000	SUPPORT	1					
19	91251101150	RING,DAMPER	1					
20	91694011500	PACKING	1					
21	91410211502	RING,BACKUP	1		TE-130X115X2			
22	91301111500	BEARING,PLAIN	1					
23	16326020000	STOPPER	1					
24	91660011501	SEAL,DUST	1					
25	91411211501	RING,BACKUP	1					
26	19116004000	COVER	1					
27	37000301040	SPACER	1		L=80			
28	36605480000	CARTRIDGE, COUNTERBALANCE	1					
29	90172110025	BOLT,HEXAGON SOCKET	4		M10X25			
30	90302041001	WASHER,SPRING	10		10			
31	18336032000	PLATE	1					
32	36017882000	BODY,VALVE	1					
33	91002903000	O-RING	2		1B G30			
34	90172110090	BOLT,HEXAGON SOCKET	6		M10X90			
35	90730008120	SCREW,SET	1		M8X12			
52	80516006204	BEARING,BALL	2					
53	80602110470	RING,RITAINING	2		R47			
62	80612111230	RING,RITAINING	1		AR123			
63	37000404250	BEARING,PLAIN	1					
80	36010089900	PACKING SET	1		115X130			
100	36017880000	CYLINDER,TELESCOPING (NO.2)	1					

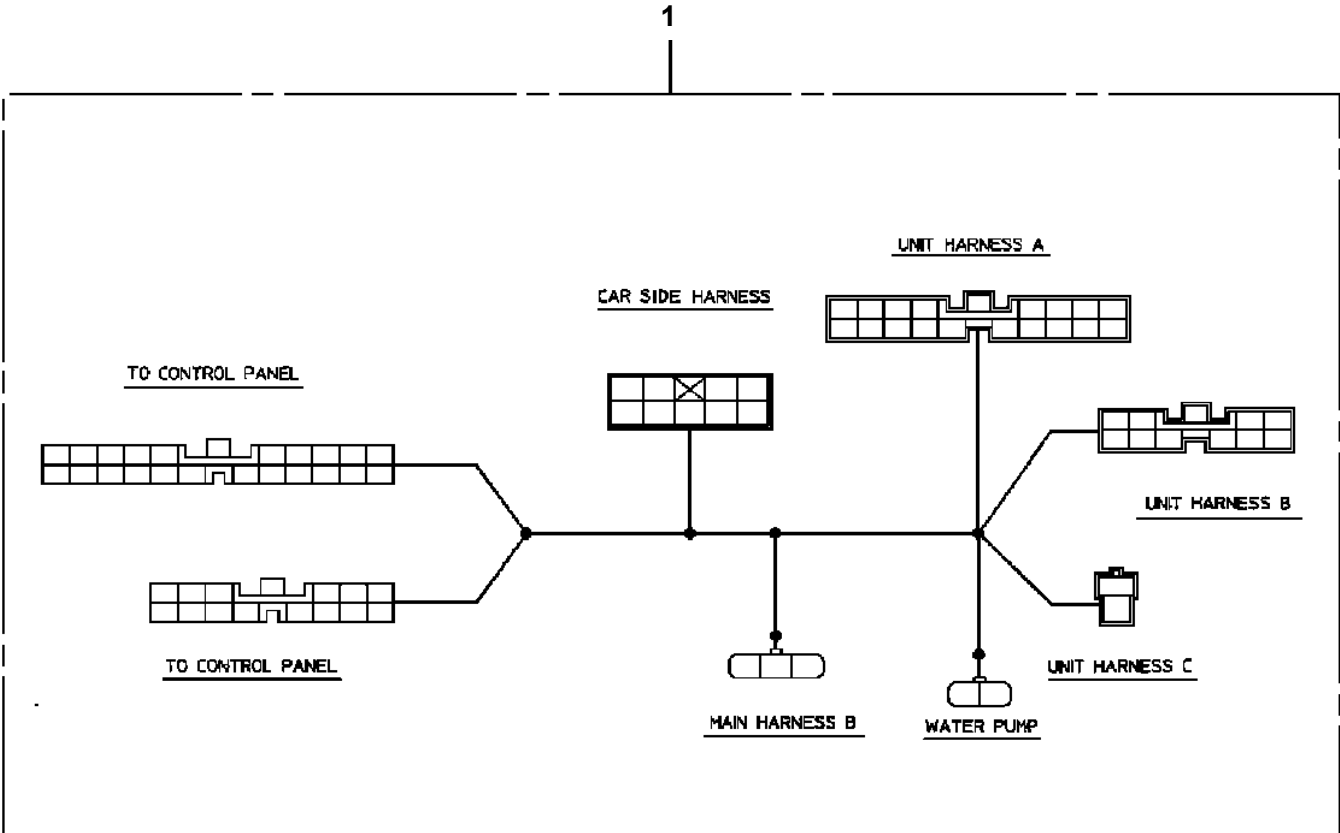
**GR-300E-1-00214 4 BOOM + 2 JIB,2M2D**  
**PG1360248-01 WIRE GUIDE (MAIN)**



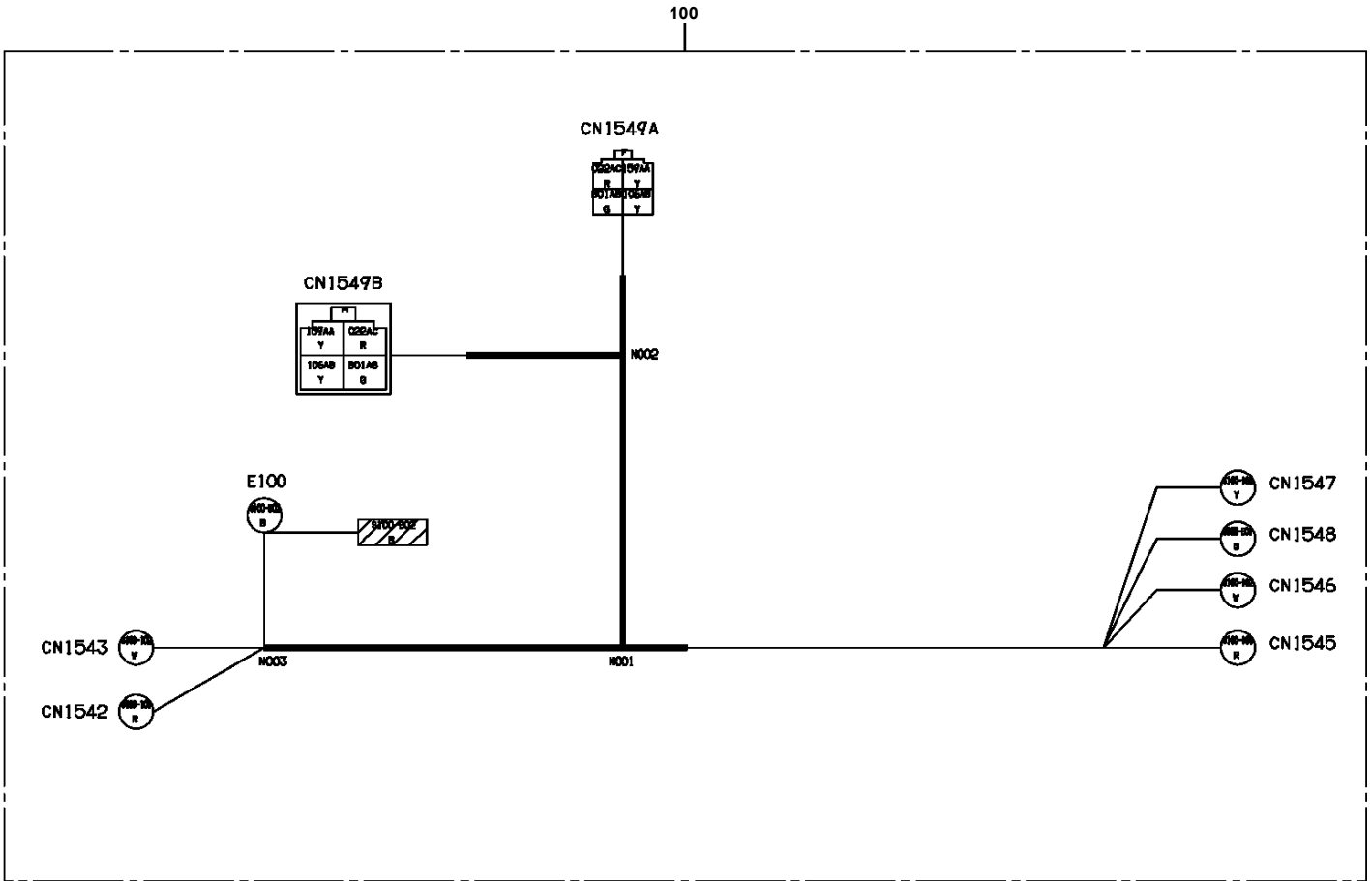
GR-300E-1-00214 4 BOOM + 2 JIB,2M2D  
PH1070034-01 SWITCH,OVER WIND DETECTOR (JIB&S/T)



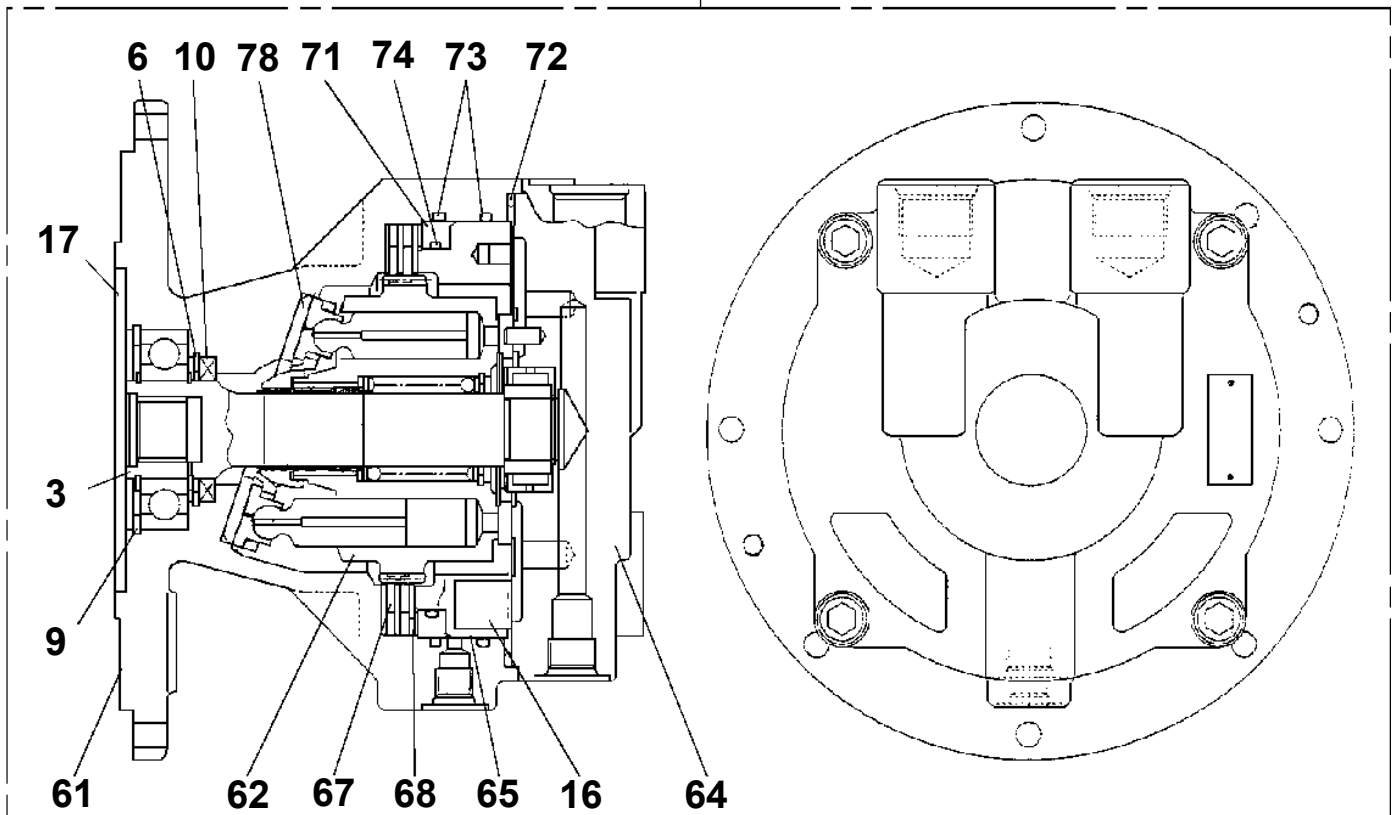
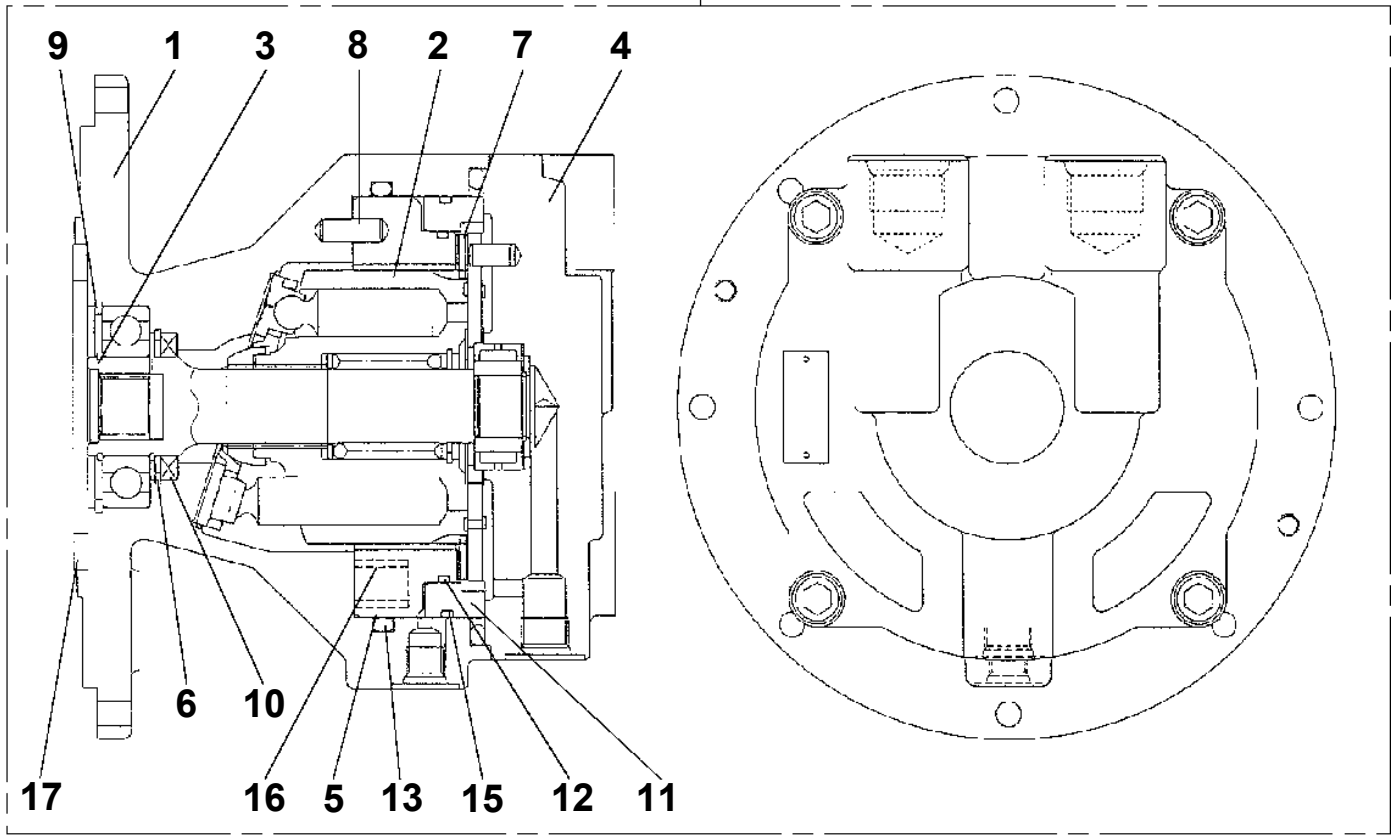
**GR-300E-1-00214 4 BOOM + 2 JIB,2M2D  
PH5030610-00 HARNESS (MAIN A)**



**GR-300E-1-00214 4 BOOM + 2 JIB,2M2D  
PH5032480-00 HARNESS**



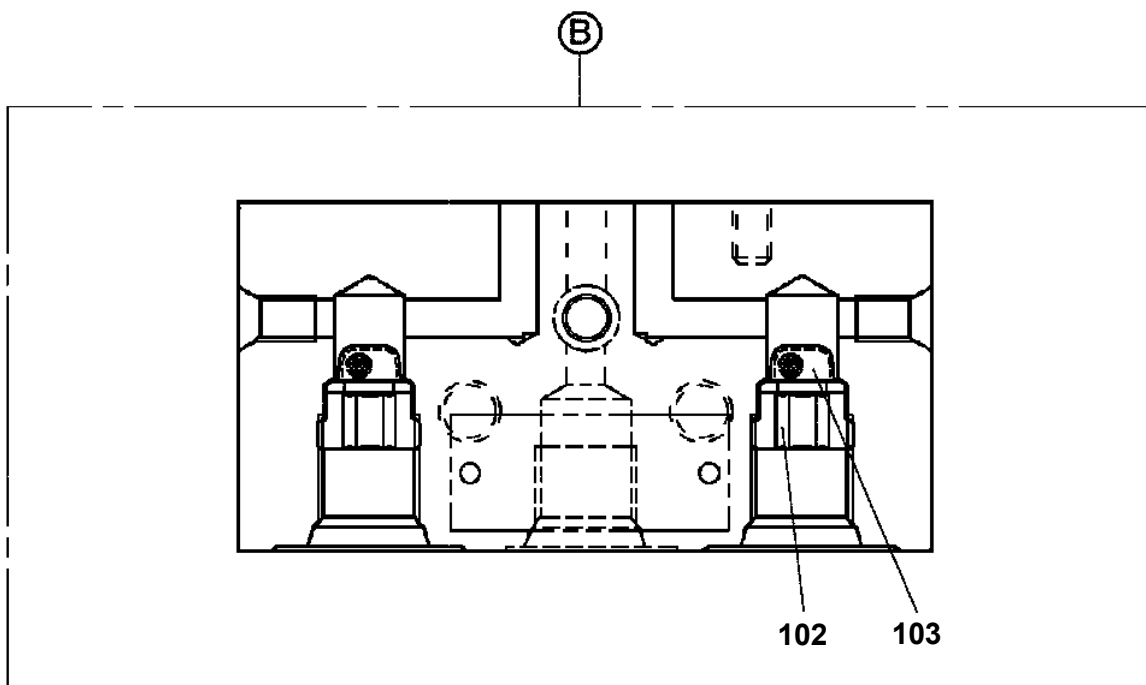
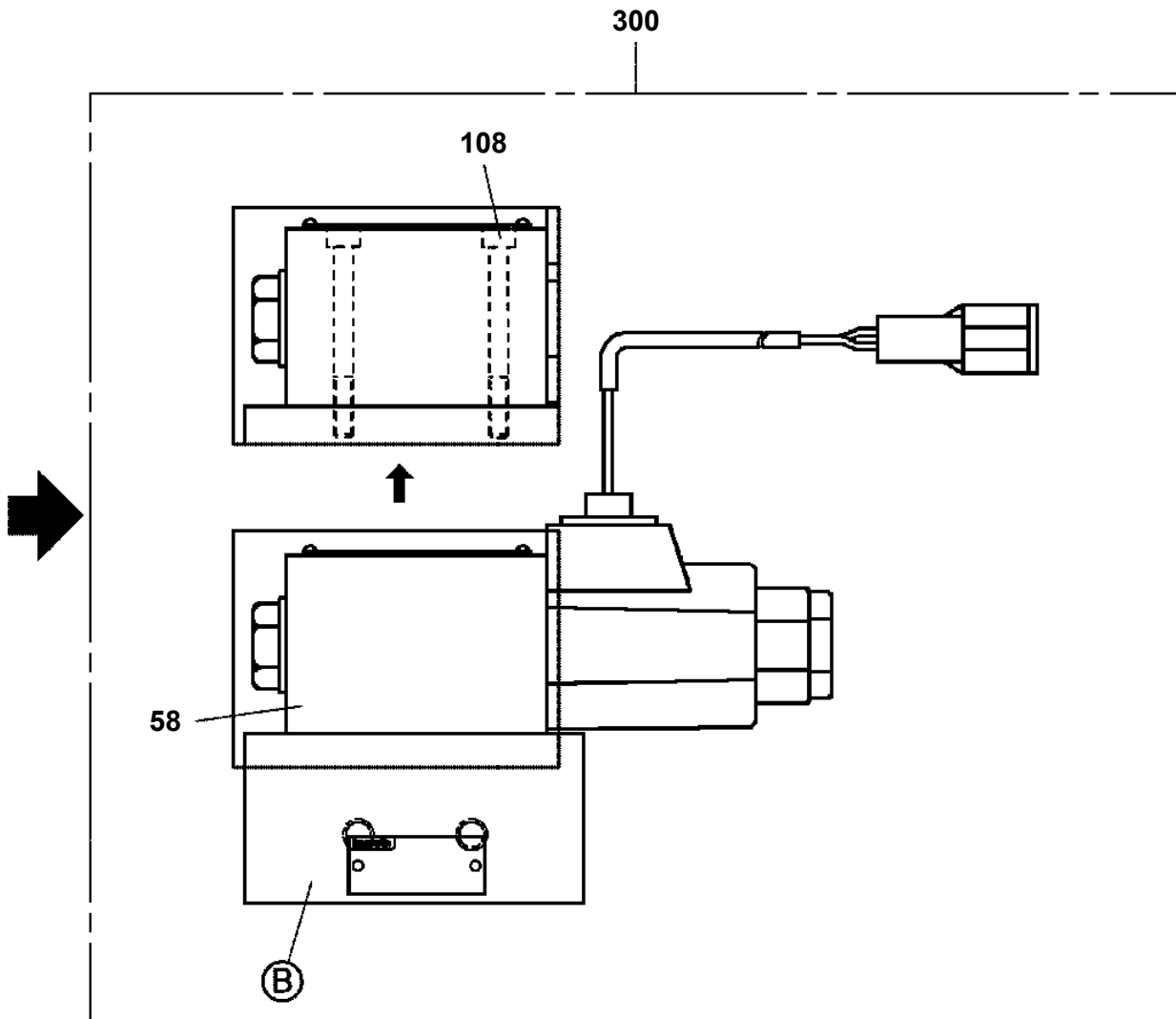
**GR-300E-1-00214 4 BOOM + 2 JIB,2M2D**  
**PI1010153-01 MOTOR,HYDRAULIC (SWING)**  
**200**



## GR-300E-1-00214 4 BOOM + 2 JIB,2M2D

Pos No.	Parts No	Parts Name	Qty	Unit	Technical Data	Serial No (Start)	Serial No (End)	Remarks
306	36663665440	STOPPER	1					
307	36663665450	COVER	1				561984	
	36664105030	COVER	1			561985		
308	36663665460	PLUG	1					
309	36663665470	PLUG	1					
310	36663665480	SPRING	1					
311	36663925100	SPRING	1					
313	36663665500	VALVE	1					
314	36663665510	PLUG	1				561489	
	36664095030	PLUG	1			561490		
315	36663665520	SPRING	1					
316	91002800800	O-RING	1		1B P8			
317	91002802200	O-RING	1		1B P22			
318	91002804200	O-RING	1		1B P42			
319	91002803000	O-RING	2		1B P30			
320	90172110075	BOLT,HEXAGON SOCKET	6		M10X75			
321	90172110065	BOLT,HEXAGON SOCKET	4		M10X65			
322	90302041001	WASHER,SPRING	4		10		561984	
323	91002802600	O-RING	1		1B P26			
401	36663695020	FLANGE SET	1					
411	36663695010	FLANGE ASSY	1					
421	36663665210	PLUG	1					
438	91002801400	O-RING	1		1B P14			
441	80730050012	PIN	2		5X12			
443	90172114040	BOLT,HEXAGON SOCKET	8		M14X40			
450	36663685160	SEAL KIT	1					
464	36663685140	PLUG	1					
465	91002801800	O-RING	1		1B P18			
469	36663665240	PLUG	2					
470	91002801100	O-RING	2		1B P11			
471	36663685150	SPOOL	1					
500	36663690000	MOTOR,HYDRAULIC	1					

GR-300E-1-00214 4 BOOM + 2 JIB,2M2D  
PI1120138-04 VALVE,SOLENOID



**GR-300E-1-00214 4 BOOM + 2 JIB,2M2D**

Pos No.	Parts No	Parts Name	Qty	Unit	Technical Data	Serial No (Start)	Serial No (End)	Remarks
5	36648885050	SOLENOID	2				562015	
	36640035011	SOLENOID	2			562016		
10	36648135010	BOLT,HEXAGON SOCKET	4		M5X10			
11	36648135020	WASHER,PLAIN	2		4			
12	36648135030	RIVET	2					
14	36648135040	BALL,STEEL	2		5/16			
15	36648135050	O-RING	2		1A P16			
16	36646975110	PLUG (HEXAGON SOCKET)	4					
100	36648130000	VALVE,SOLENOID	1					

# GR-300E-1-00214 4 BOOM + 2 JIB,2M2D

Pos No.	Parts No	Parts Name	Qty	Unit	Technical Data	Serial No (Start)	Serial No (End)	Remarks
8	36642935040	RING	4					
9	36646085020	O-RING	2					
12	36646085031	SOLENOID	1					
15	90131505050	BOLT,HEXAGON SOCKET	4		M5X50			
101	36602555010	O-RING	1					
102	36649855100	O-RING	1					
200	36646085011	VALVE,SOLENOID	1					

# GR-300E-1-00214 4 BOOM + 2 JIB,2M2D

Pos No.	Parts No	Parts Name	Qty	Unit	Technical Data	Serial No (Start)	Serial No (End)	Remarks	Page
11	91002802200	O-RING	6		1B P22				
12	91002801400	O-RING	2		1B P14				
13	91002800800	O-RING	1		1B P8				
100	36741630000	VALVE,HYDRAULIC	1						

# GR-300E-1-00214 4 BOOM + 2 JIB,2M2D

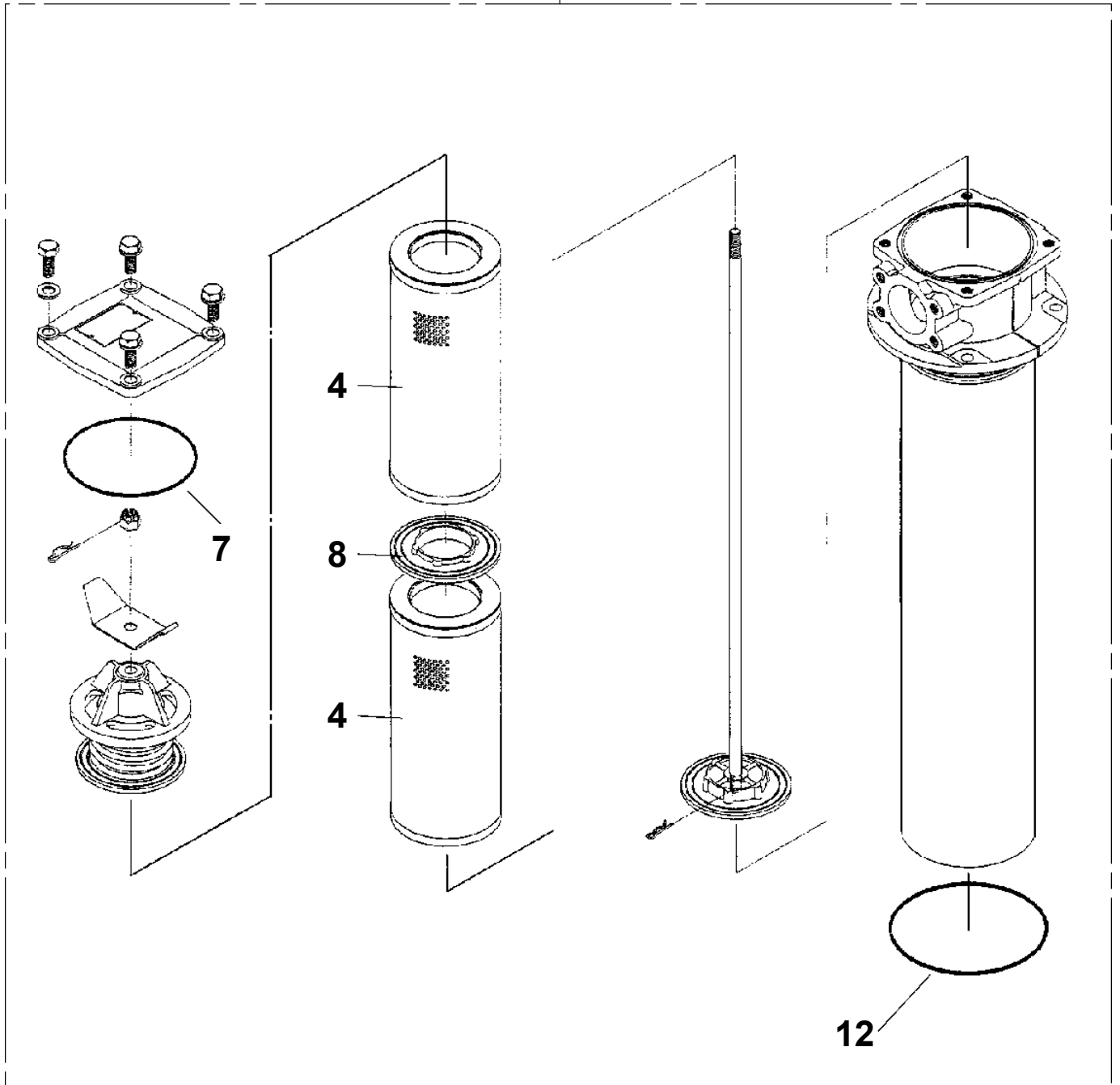
Pos No.	Parts No	Parts Name	Qty	Unit	Technical Data	Serial No (Start)	Serial No (End)	Remarks
1	36624545000	BODY	1					
2	36620565020	COVER	1					
4	12515186000	SPRING	1					
5	36620175040	SEAT,SPRING	1					
6	12429108000	RING,STOP	1					
8	36620175060	SPRING	1					
9	36620175070	SEAT,SPRING	1					
10	91002903000	O-RING	1		1B G30			
11	90132708030	BOLT,HEXAGON SOCKET	4		M8X30			
12	90302040801	WASHER,SPRING	4		8			
30	36624540000	VALVE,CHECK	1					

# GR-300E-1-00214 4 BOOM + 2 JIB,2M2D

Pos No.	Parts No	Parts Name	Qty	Unit	Technical Data	Serial No (Start)	Serial No (End)	Re
10	36620450000	VALVE,PRESSURE PROTECTION	1					

GR-300E-1-00214 4 BOOM + 2 JIB,2M2D  
PI1300012-03 FILTER,OIL (TANK,OIL)

30



# GR-300E-1-00214 4 BOOM + 2 JIB,2M2D

Pos No.	Parts No	Parts Name	Qty	Unit	Technical Data	Serial No (Start)	Serial No (End)
1	34494070010	HARNESS	1				
2	82100002596	RELAY	1				
3	80192486012	SCREW,MACHINE	1		M6X12		
6	80192484016	SCREW,MACHINE	4		M4X16		
7	34494070100	COVER	1				
8	34351963900	SWITCH ASSY	1				
9	34492503000	PLATE,CAUTION	1				
10	34492502000	SWITCH ASSY	1				
11	34494070200	SUPPORT	1				
12	90186208020	BOLT,FLANGE	1		M8X20		561410
13	90201200800	NUT	1		M8		561410
14	82100002007	CLAMP	1		WRC10		561410
15	80172304025	SCREW,MACHINE	2		M4X25		
16	90302040401	WASHER,SPRING	2		4		
17	82400000221	GROMMET	1				
18	90172105030	BOLT,HEXAGON SOCKET	2		M5X30		
19	90302040501	WASHER,SPRING	2		5		
20	90201200500	NUT	2		M5		
21	90201200600	NUT	1		M6	561410	
22	82100002006	CLAMP	1		WR10	561410	
41	34492502100	CONTROLLER	1				
	34492502101	CONTROLLER (ASSY ONLY)	1			561436	561436
42	34492502200	SENSOR	1				
43	34492502300	CABLE (FOR POWER SOURCE)	1				
44	34492502400	SUPPORT	1				
53	82100002307	COVER (CONTACT BLOCK PROTECTION/BLACK)	1				

## GR-300E-1-00214 4 BOOM + 2 JIB,2M2D

Pos No.	Parts No	Parts Name	Qty	Unit	Technical Data	Serial No (Start)	Serial No (End)	Remarks
2	34631153000	JOINT ASSY,SWIVEL	1					
6	34630702000	BRUSH,ROTARY JOINT	1					
7	37001509460	BOLT	1		M10X40			
8	90171112030	BOLT	3		M12X30			
9	90172106100	BOLT,HEXAGON SOCKET	3		M6X100			
10	90302040601	WASHER,SPRING	3		6			
14	82401800080	PLUG (FOR M8)	2					
15	82401800100	PLUG (FOR M10)	1					
16	34630706001	JOINT,ROTARY	1					
31	34631150300	JOINT ASSY,SWIVEL	1					
32	34630703560	PIPE (IP)	1					
	34630703500	PIPE	1					
33	34630703460	PIPE (IP)	1					
	34630703400	PIPE	1					
34	34630703360	PIPE (IP)	1					
	34630703300	PIPE	1					
35	34630703900	PIPE	1					
	34630703960	PIPE (IP)	1					
51	34630706101	CORE	1					
52	34630706200	BODY	1					
53	34630705300	COVER	1					
54	34630705400	PLATE	1					
55	91001214500	O-RING	1		1A G145			
56	91002809000	O-RING	1		1B P90			
57	91002813000	O-RING	1		1B P130			
58	34630702100	SEAL,RING	4					
59	34630702200	SEAL,RING	3					
60	90172108020	BOLT,HEXAGON SOCKET	8		M8X20			
61	80316090060	PLUG	2		KKT PT3/8			
62	80316090040	PLUG SOCKET	4		R1/4			
63	80316090100	PLUG	2		KKT PT3/4			
64	34630702300	SEAL,RING	5					
65	34630875300	PLUG	2					
66	91001003200	O-RING	2		1A S32			
81	91153010006	SEAL,RING	3					
85	91360110000	BEARING,PLAIN	2					
86	37000404910	BEARING,PLAIN	1					
87	80601310950	RING,RETAINING	1					

# GR-300E-1-00214 4 BOOM + 2 JIB,2M2D

Pos No.	Parts No	Parts Name	Qty	Unit	Technical Data	Serial No (Start)	Serial No (End)	Remarks	Pages
1	34250360200	BELT	1				561601		
	34251650300	BELT	1			561602			
2	90101510025	BOLT	2		M10X25		562079		
	90171110025	BOLT	2		M10X25	562080			
3	90302041001	WASHER,SPRING	2		10				
4	90303071001	WASHER,PLAIN	2		10				
5	90201401000	NUT	2		M10				

CLICK HERE TO **DOWNLOAD** THE COMPLETE MANUAL

- Thank you very much for reading the preview of the manual.
- You can download the complete manual from: [www.heydownloads.com](http://www.heydownloads.com) by clicking the link below



- Please note: If there is no response to CLICKING the link, please download this PDF first and then click on it.

CLICK HERE TO **DOWNLOAD** THE COMPLETE MANUAL

# GR-300E-1-00214 4 BOOM + 2 JIB,2M2D

Pos No.	Parts No	Parts Name	Qty	Unit	Technical Data	Serial No (Start)	Serial No (End)	Remarks	Pages
31	36635335040	BELLOWS	2						
50	36634920000	VALVE,CONTROL	1						

# GR-300E-1-00214 4 BOOM + 2 JIB,2M2D

Pos No.	Parts No	Parts Name	Qty	Unit	Technical Data	Serial No (Start)	Serial No
11	36193345010	BOARD ASSY (CON1,CON2)	1				
13	36193345030	CASE (WITH SEAT)	1				
41	36195105010	BOARD ASSY (WITH DATA CPU,DISP,LCD)	1				
61	36193345050	BATTERY (LITHIUM)	1				
	36193345060	BATTERY (LITHIUM)	1			562092	562091
100	36195100000	MOMENT LIMITER:AML	1				

# GR-300E-1-00214 4 BOOM + 2 JIB,2M2D

Pos No.	Parts No	Parts Name	Qty	Unit	Technical Data	Serial No (Start)	Serial No (End)	Remarks	P
11	34930707510	LENS	1						
12	34930707560	BULB,LAMP (24V21W)	1				561378		
	82166300210	BULB,LAMP (KOITO)	1		24V 21W	561379			
13	34930707570	BULB,LAMP (24V5W)	1				561378		
	82166300050	BULB,LAMP (KOITO)	1		24V 5W	561379			
100	34930704000	LAMP (COMBINATION)	1						

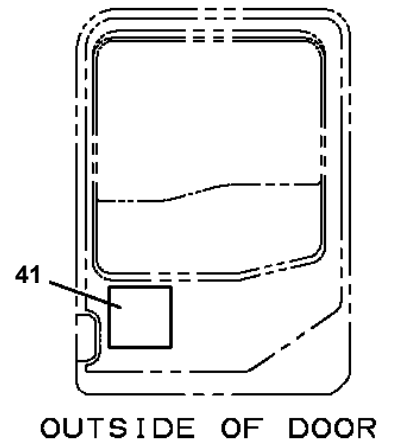
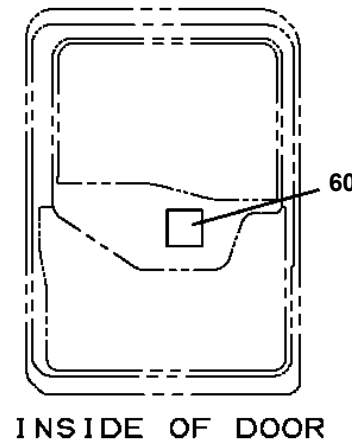
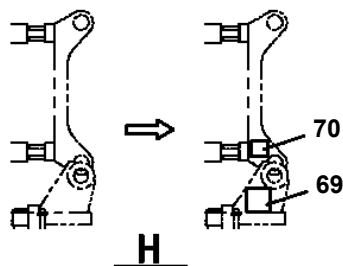
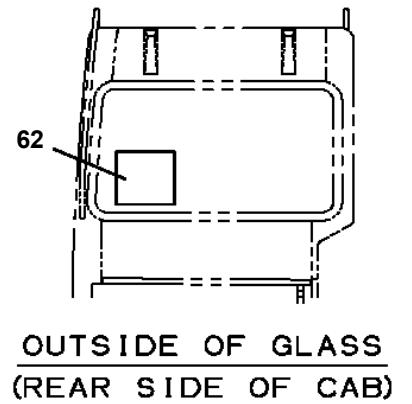
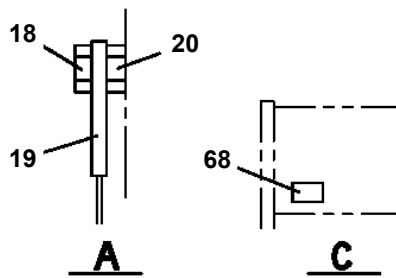
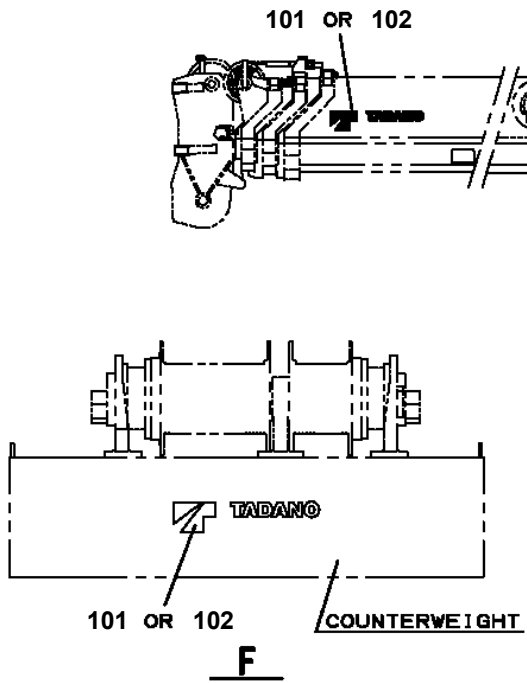
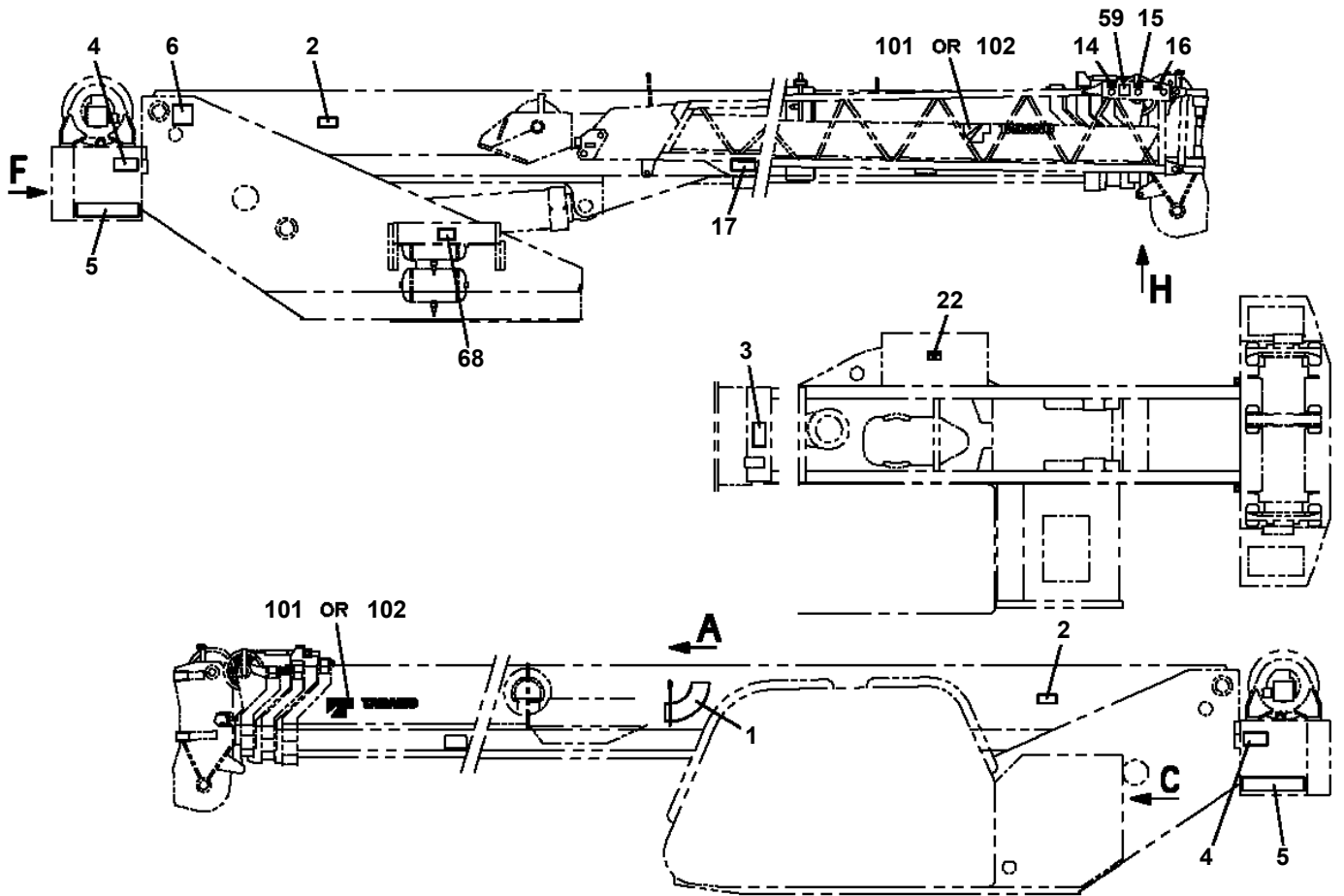
# GR-300E-1-00214 4 BOOM + 2 JIB,2M2D

Pos No.	Parts No	Parts Name	Qty	Unit	Technical Data	Serial No (Start)	Serial No (End)	Remarks	Pages
1	82108501100	SWITCH	1		FL7M-5A6N-901				

# GR-300E-1-00214 4 BOOM + 2 JIB,2M2D

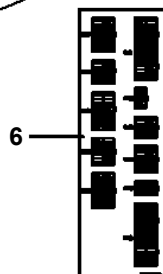
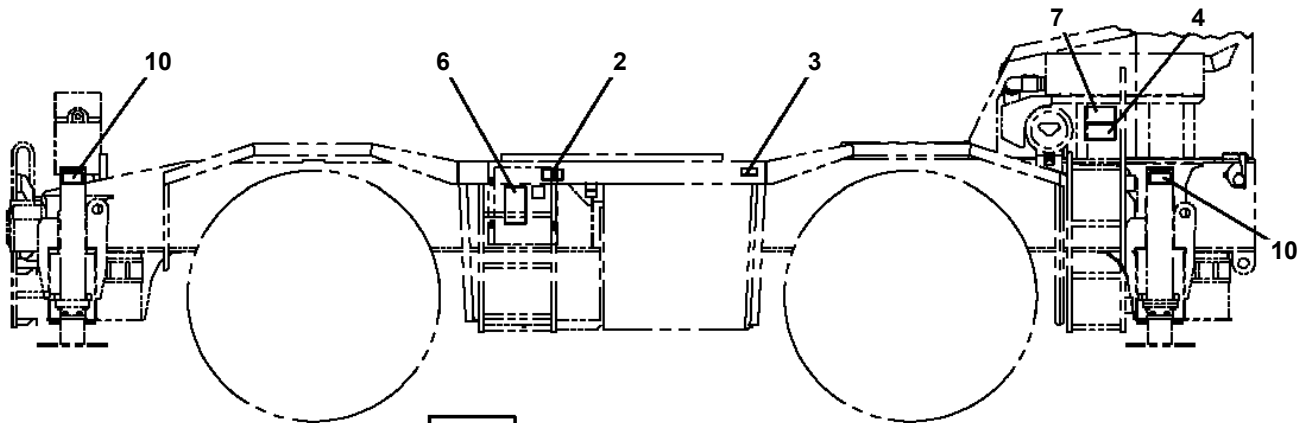
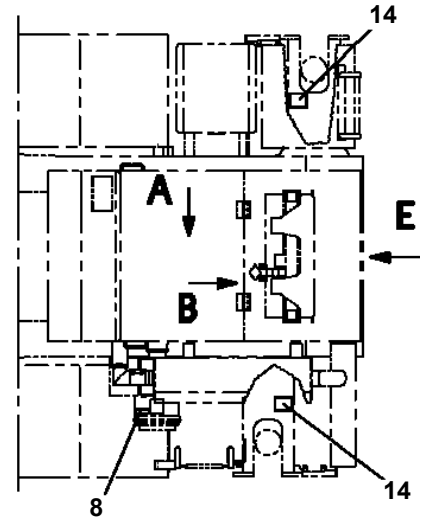
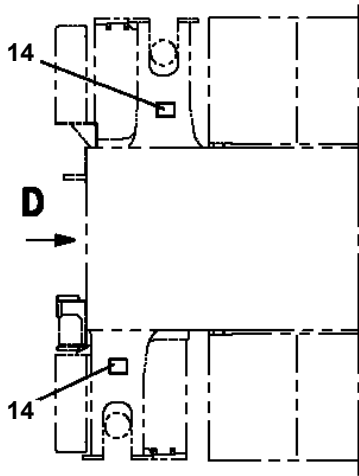
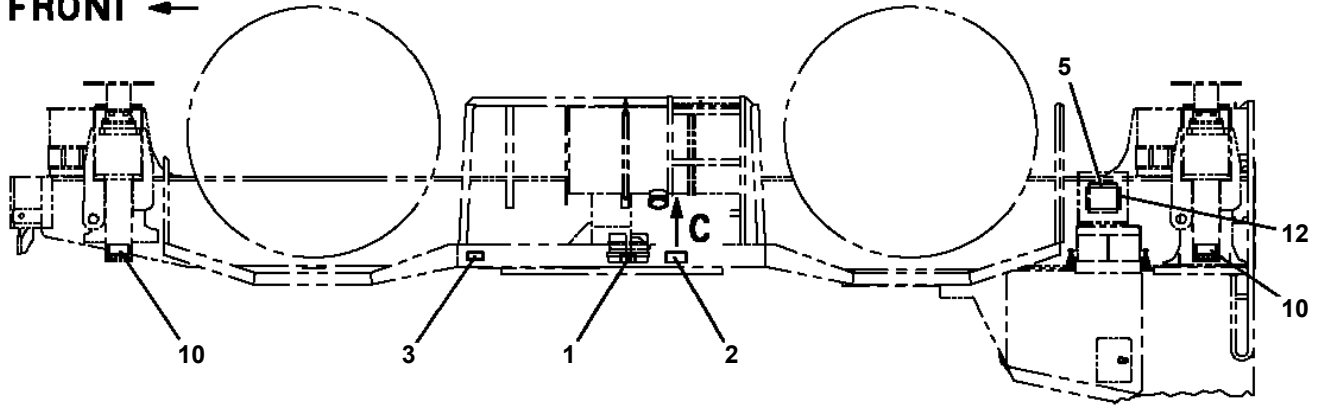
Pos No.	Parts No	Parts Name	Qty	Unit	Technical Data	Serial No (Start)	Serial No (End)	Remarks
1	34930096000	BATTERY (YUASA,170F51)	1					

**GR-300E-1-00214 4 BOOM + 2 JIB,2M2D  
PN5010020-02 NAME PLATE ASSY (UPPER)**



**GR-300E-1-00214 4 BOOM + 2 JIB,2M2D**  
**PN5010122-00 NAME PLATE ASSY (LOWER/ENGLISH & RUSSIAN)**

**FRONT** ←



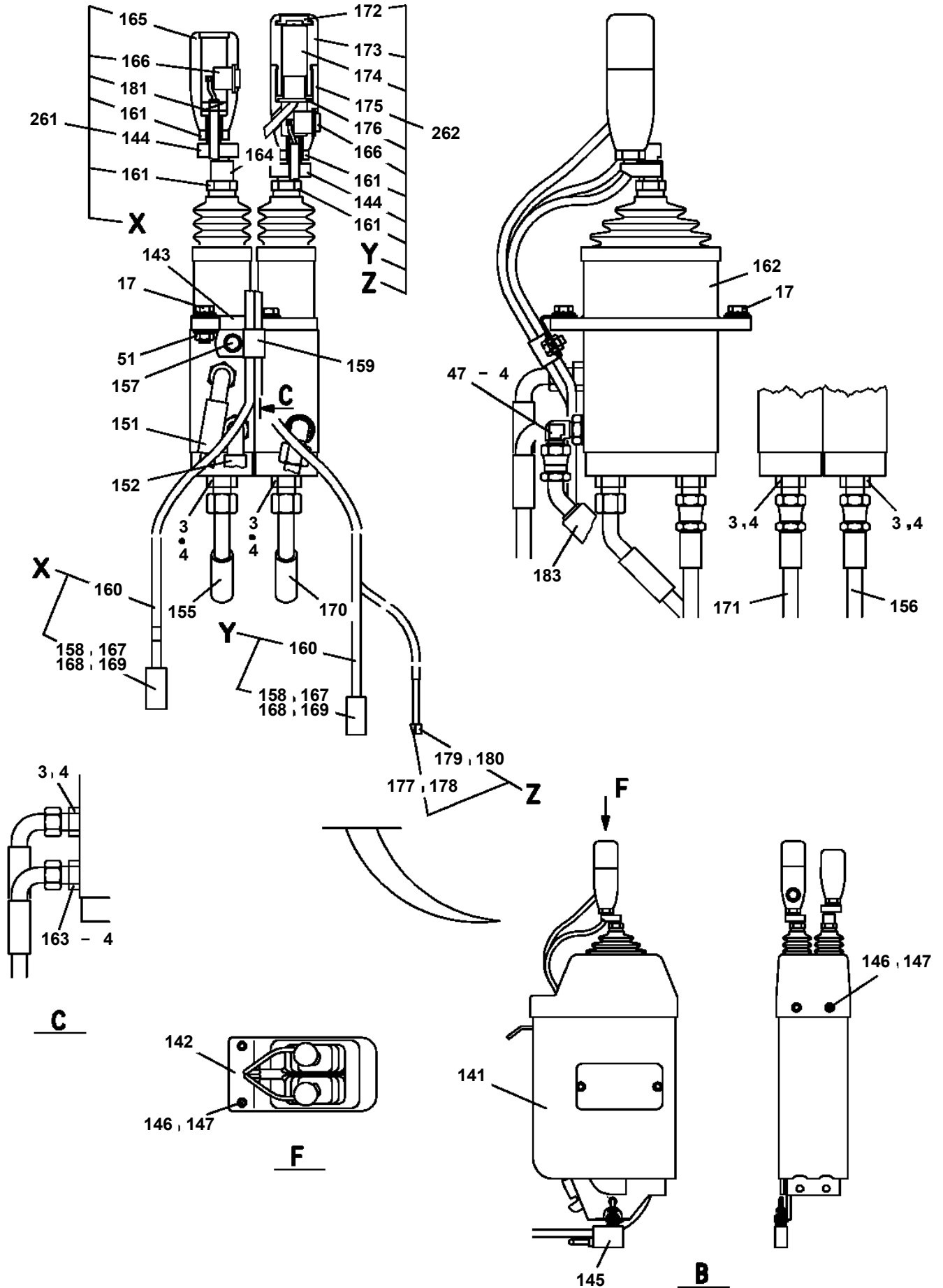
# GR-300E-1-00214 4 BOOM + 2 JIB,2M2D

Pos No.	Parts No	Parts Name	Qty	Unit	Technical Data	Serial No (Start)	Serial No (End)	Remarks
1	34492351100	PLATE,NAME (4000KG)	1					
2	37002202510	PLATE,NAME (GREASE)	2					

# GR-300E-1-00214 4 BOOM + 2 JIB,2M2D

Pos No.	Parts No	Parts Name	Qty	Unit	Technical Data	Serial No (Start)	Serial No (End)
11	37002224030	PLATE,NAME (WHITE)	24				
12	37002290030	PLATE,NAME (IN:WHITE/OUT:BLACK)	24				

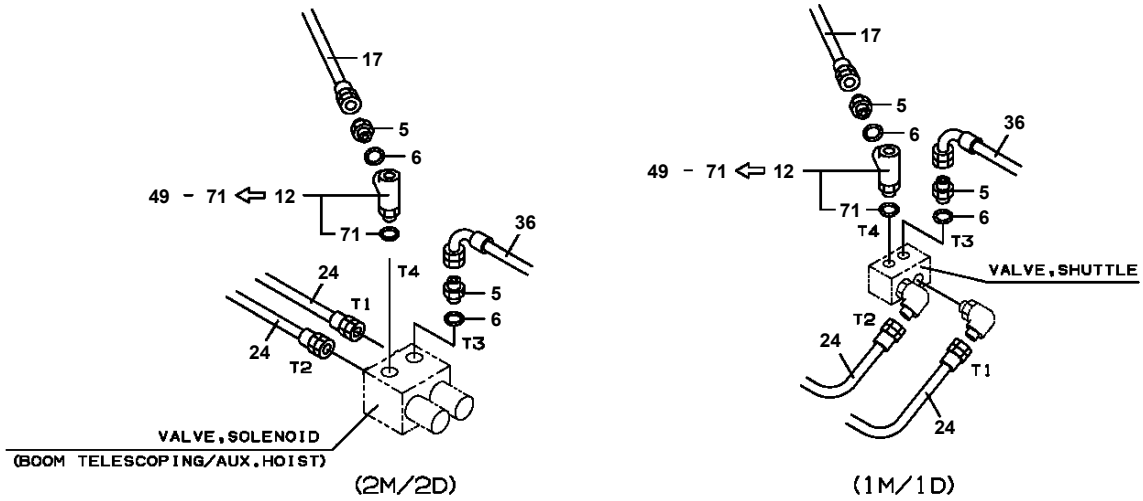
**GR-300E-1-00214 4 BOOM + 2 JIB,2M2D**  
**PO5080012-01 OPE.ASSY,CONT.VALVE (ISO)**



## GR-300E-1-00214 4 BOOM + 2 JIB,2M2D

Pos No.	Parts No	Parts Name	Qty	Unit	Technical Data	Serial No (Start)	Serial No (End)	Remarks	Page
1	36180110000	SENDER,PRESSURE	1						
2	82100002004	CLAMP	3		WR8				
3	90280200600	NUT,FLANGE	18		M6				
4	82100002037	CLAMP	5		WE10				
5	90155306015	BOLT,WELD	6		M6X15				
6	82100002033	CLAMP	4						
7	80192486016	SCREW,MACHINE	4		M6X16				
10	34363538020	HARNESS	1						000
12	91810130250	FASTENER	6						
13	36180160000	SENDER,PRESSURE	1						
31	91002801400	O-RING	2		1B P14				

**GR-300E-1-00214 4 BOOM + 2 JIB,2M2D  
PP6240003-01 PIPING ASSY,PILOT**



**B**

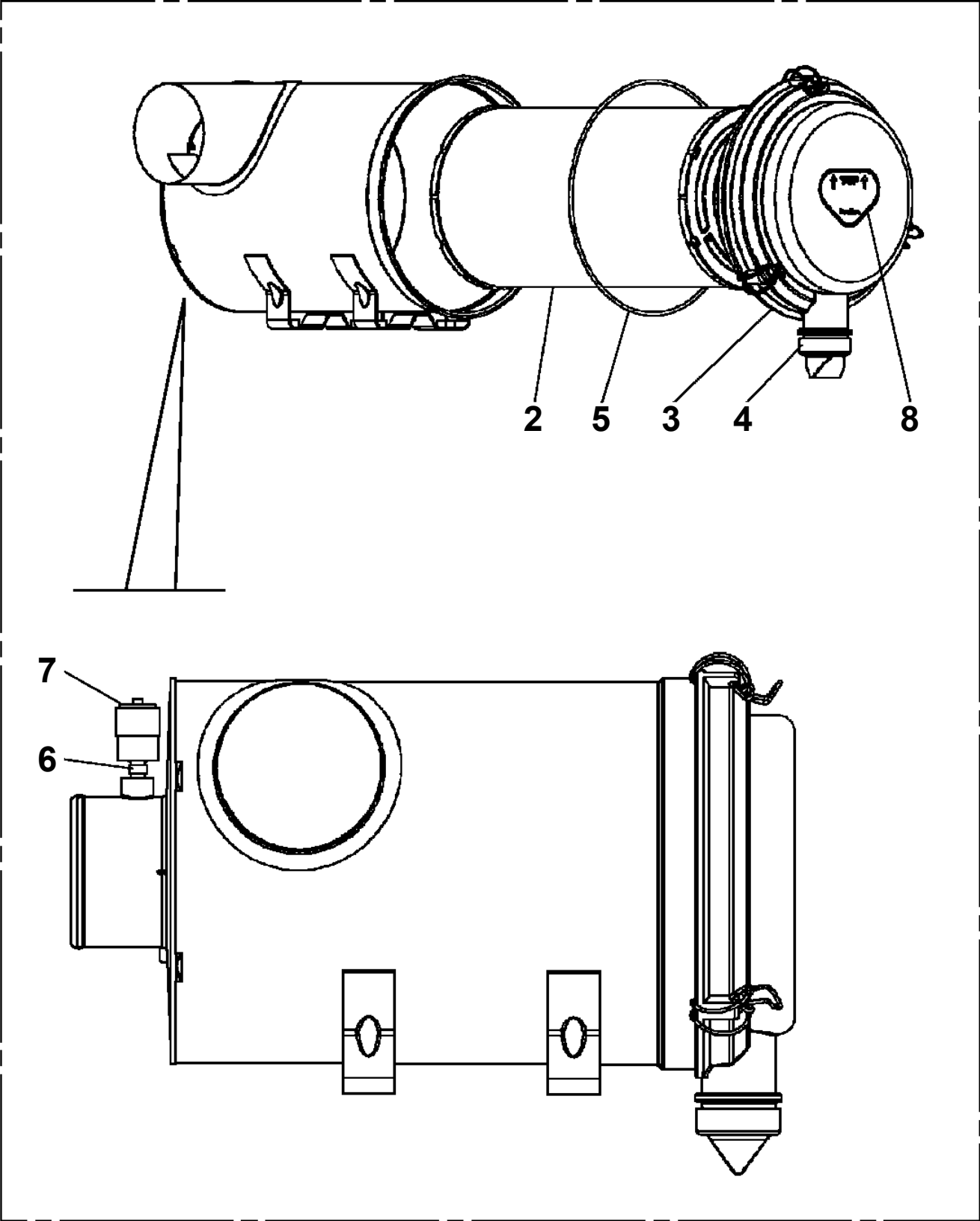
HOSE DETAIL				
ROUTE		PORT NO.	MARK, BAND	HOSE NO.
ELEVATING PEDAL	RAISING	D3	33, 29	2
ELEVATING PEDAL	LOWERING	D4	33, 30	9
TELESCOPING PEDAL	EXTENDING	T1	34, 27	24
TELESCOPING PEDAL	RETRACTING	T2	34, 28	24
MAIN VALVE TELESCOPING	EXTENDING	T3	34, 29	36
MAIN VALVE TELESCOPING	RETRACTING	T4	34, 30	17, 47
P		P	35	14, 46
P2		P2	35, 28	36

# GR-300E-1-00214 4 BOOM + 2 JIB,2M2D

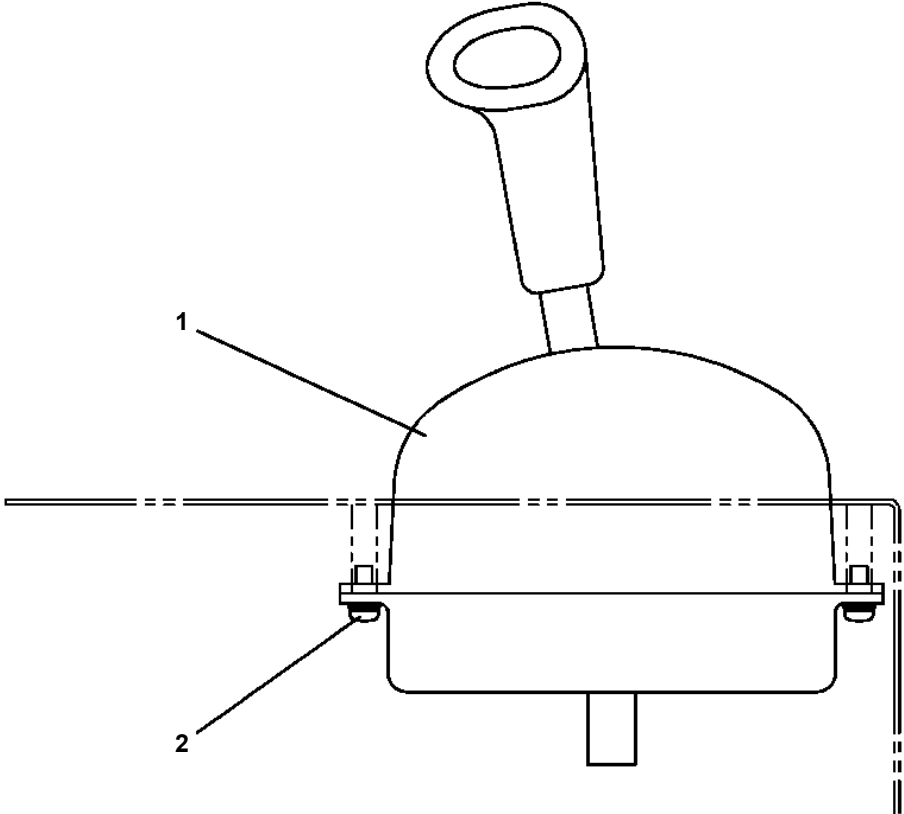
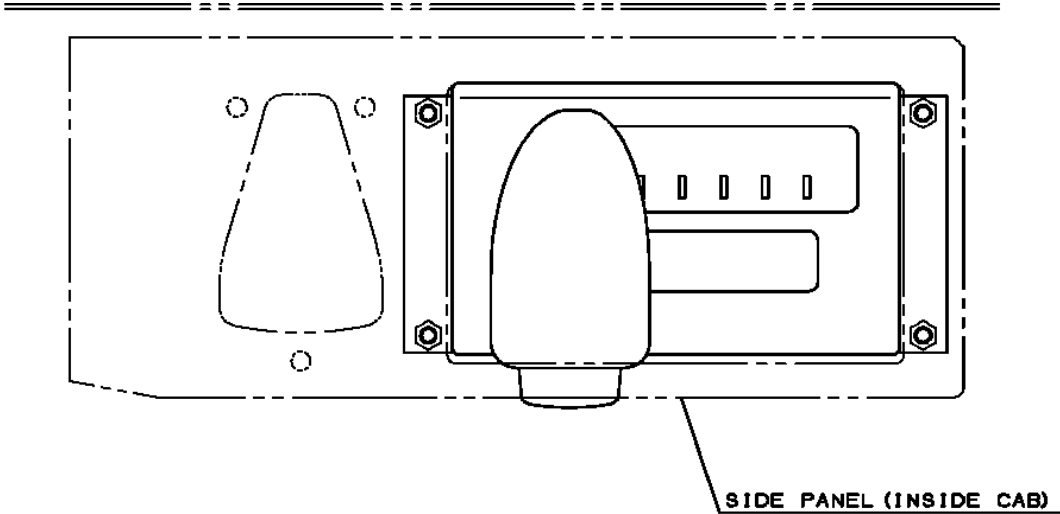
Pos No.	Parts No	Parts Name	Qty	Unit	Technical Data	Serial No (Start)	Serial No (End)	Remarks	Page
30	36361350000	ENGINE (CUMMINS)	1						

GR-300E-1-00214 4 BOOM + 2 JIB,2M2D  
PQ1070041-00 CLEANER,AIR

100



**GR-300E-1-00214 4 BOOM + 2 JIB,2M2D**  
**PR1010021-00 OPE.ASSY,TRANSMISSION (SHIFT SWITCH)**



# GR-300E-1-00214 4 BOOM + 2 JIB,2M2D

Pos No.	Parts No	Parts Name	Qty	Unit	Technical Data	Serial No (Start)	Serial No (End)
1	36370505240	SHAFT ASSY	1				
2	36350365950	RING,SEAL	1				
3	36370217050	RING,SEAL	1				
4	36370485330	PISTON ASSY	1				
8	36370485340	RING,RETAINING	1				
9	36370365240	SPRING	1				
10	36350297140	WASHER	1				
11	80601110450	RING,RITAINING	1		S45		
12	36370505250	GEAR (P)	1				
13	80602110720	RING,RITAINING	1		R72		
14	36370208140	BEARING,BALL	2				
15	36350277130	WASHER,THRUST	1				
16	80518006209	BEARING,BALL	1				
17	80500006914	BEARING,BALL	1				
18	36370515220	RING,RETAINING	1				
19	36370395100	RING,SEAL	3				
20	80601110500	RING,RITAINING	1		S50		
21	36370395110	CAP	1				
30	36370505260	DISK KIT	1				
100	36370505030	P.T.O.CLUTCH,TORQUE CONVERTER	1				

## GR-300E-1-00214 4 BOOM + 2 JIB,2M2D

Pos No.	Parts No	Parts Name	Qty	Unit	Technical Data	Serial No (Start)	Serial No (End)	P
1	36350556510	BODY,VALVE	1					
2	36350495280	VALVE (RANGE)	1					
3	36350268030	VALVE,CONTROL (SPEED RANGE)	2					
4	36350268040	SPRING (PRESSURE)	2					
5	36350556520	COVER (A)	1					
6	36350556530	GASKET (A)	1					
7	36350556540	COVER (B)	1					
8	36350556550	GASKET (B)	1					
9	36350556560	COVER (C)	1					
10	36350556570	GASKET (C)	1					
11	36370415360	VALVE,SOLENOID	4					
12	36350265970	CLIP	1					
13	36350556580	WASHER	1					
14	36350556590	BOLT	2					
15	90171106020	BOLT	9		M6X20			
16	36350556600	GASKET (D)	1					
17	36350525370	FILTER	1					
51	36370415430	COIL KIT	4					
52	36370415440	OVERHAUL KIT	4					
100	36350555090	VALVE,CONTROL (T/M)	1					

# GR-300E-1-00214 4 BOOM + 2 JIB,2M2D

Pos No.	Parts No	Parts Name	Qty	Unit	Technical Data	Serial No (Start)	Serial No (End)
1	36303112000	SHAFT,PROPELLER (JIDDOUSHABUHIN)	1				

# GR-300E-1-00214 4 BOOM + 2 JIB,2M2D

Pos No.	Parts No	Parts Name	Qty	Unit	Technical Data	Serial No (Start)	Serial No (End)
1	37003899040	VALVE (TRJ653+ ADAPTER(AD-1)+CAP)	1				
10	37003803310	TIRE (WITH VALVE)	1				

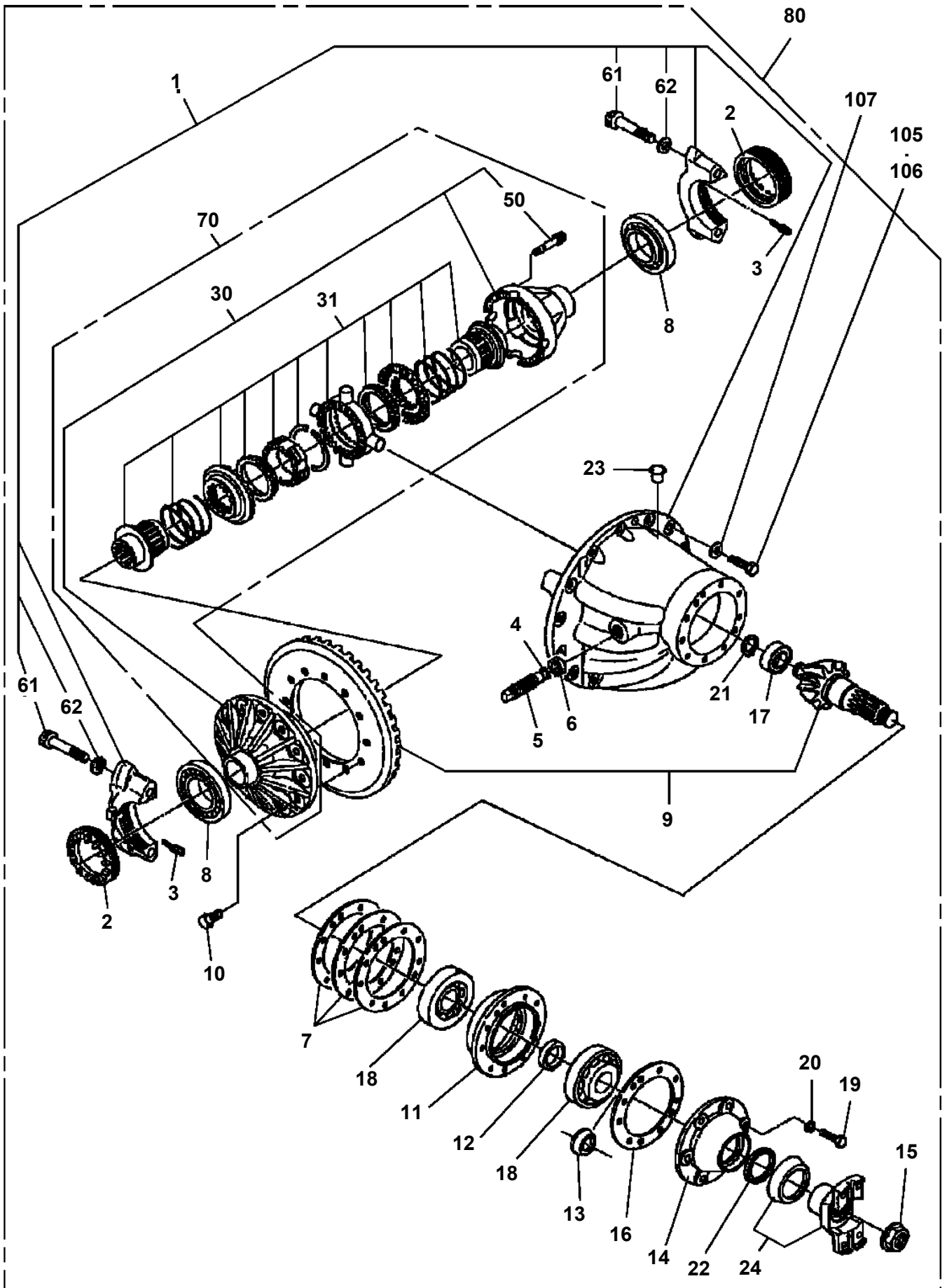
# GR-300E-1-00214 4 BOOM + 2 JIB,2M2D

Pos No.	Parts No	Parts Name	Qty	Unit	Technical Data	Serial No (Start)	Serial No (End)	Remarks	Pages
1	37003801790	TIRE (W/O WHEEL)	1						

# GR-300E-1-00214 4 BOOM + 2 JIB,2M2D

Pos No.	Parts No	Parts Name	Qty	Unit	Technical Data	Serial No (Start)	Serial No (End)	Remarks	P
4	37003999130	FLANGE (SIDE )	2						
5	37003999140	SEAT (TAPERED BEAD)	1						
6	37003999150	RING ASSY	1						
10	37003900541	WHEEL,TIRE	1						

GR-300E-1-00214 4 BOOM + 2 JIB,2M2D  
PR2010110-00 AXLE (REAR)



# GR-300E-1-00214 4 BOOM + 2 JIB,2M2D

Pos No.	Parts No	Parts Name	Qty	Unit	Technical Data	Serial No (Start)	Serial No (End)	Remarks	Pages
1	37003800640	TIRE	1						000269
2	37003900470	WHEEL,TIRE	1						000278

# GR-300E-1-00214 4 BOOM + 2 JIB,2M2D

Pos No.	Parts No	Parts Name	Qty	Unit	Technical Data	Serial No (Start)	Serial No (End)	Remarks	Page
1	37003803310	TIRE (WITH VALVE)	1						0002
2	37003900541	WHEEL,TIRE	1						0002

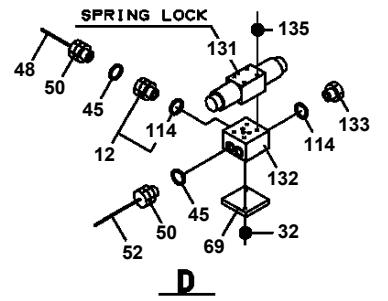
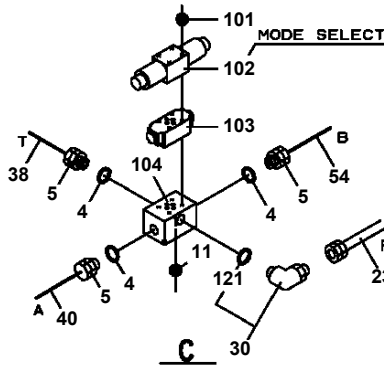
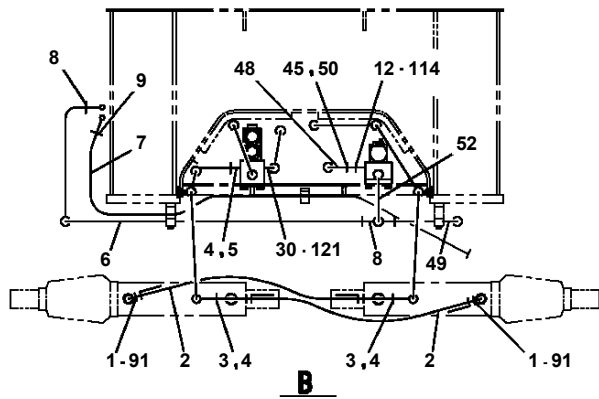
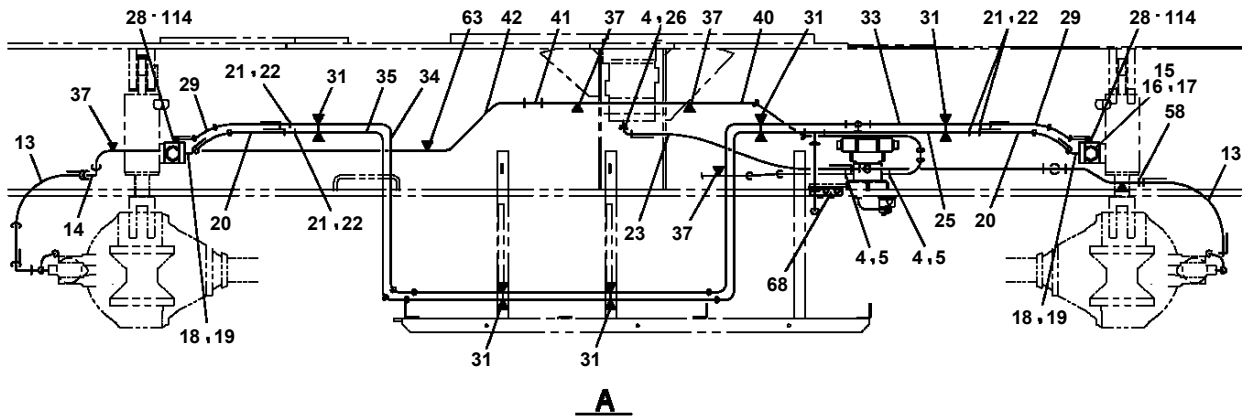
# GR-300E-1-00214 4 BOOM + 2 JIB,2M2D

Pos No.	Parts No	Parts Name	Qty	Unit	Technical Data	Serial No (Start)	Serial No (End)	Remarks	Pages
1	37003804350	TIRE	1						000273
2	37003900541	WHEEL,TIRE	1						000280

# GR-300E-1-00214 4 BOOM + 2 JIB,2M2D

Pos No.	Parts No	Parts Name	Qty	Unit	Technical Data	Serial No (Start)	Serial No (End)	Remarks	Page
1	37003803850	TIRE (WITH VALVE)	1						0002
2	37003901470	WHEEL,TIRE	1						0002

**GR-300E-1-00214 4 BOOM + 2 JIB,2M2D  
PS1200158-01 PIPING,STEERING (LOWER)**



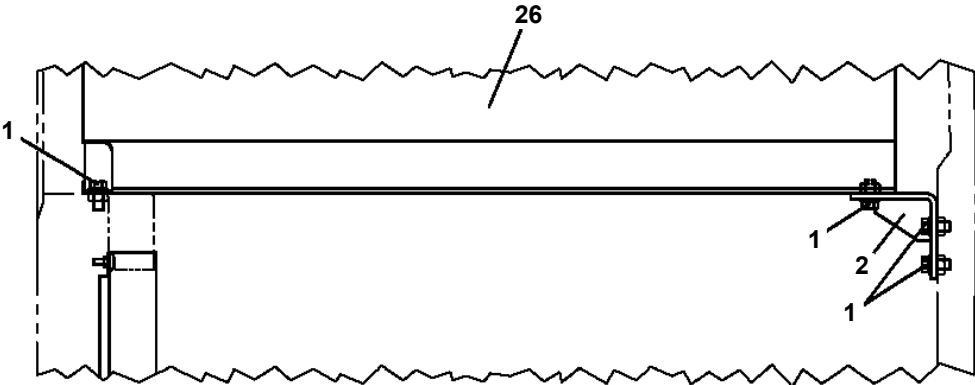
## GR-300E-1-00214 4 BOOM + 2 JIB,2M2D

Pos No.	Parts No	Parts Name	Qty	Unit	Technical Data	Serial No (Start)	Serial No (End)
1	36061921000	CYLINDER	1				
2	80136350071	PIN,SPLIT	1				
3	37001600340	NUT	1				
4	36061136000	PISTON	1				
5	91350207500	BEARING,PLAIN (WITH PACKINGX2)	1				
6	91002804000	O-RING	1		1B P40		
7	36061132000	ROD ASSY	1				
8	36061134000	COVER,ROD	1				
9	91002806500	O-RING	1		1B P65		
10	91251100400	RING,DAMPER	1				
11	91694004000	PACKING	1				
12	91410204001	RING,BACKUP	1				
13	91660004001	SEAL,DUST	1				
15	91801301000	CLIP	1				
16	36061133000	BOOT	1				
17	91801300650	CLIP	1		D=60-65		
18	91301104000	BEARING,PLAIN	1				
30	37000400990	BEARING,PLAIN	2				
41	37000402270	BEARING,PLAIN	2				
50	36061929900	PACKING SET	1		40X75		
100	36061920000	CYLINDER,STEERING	1				

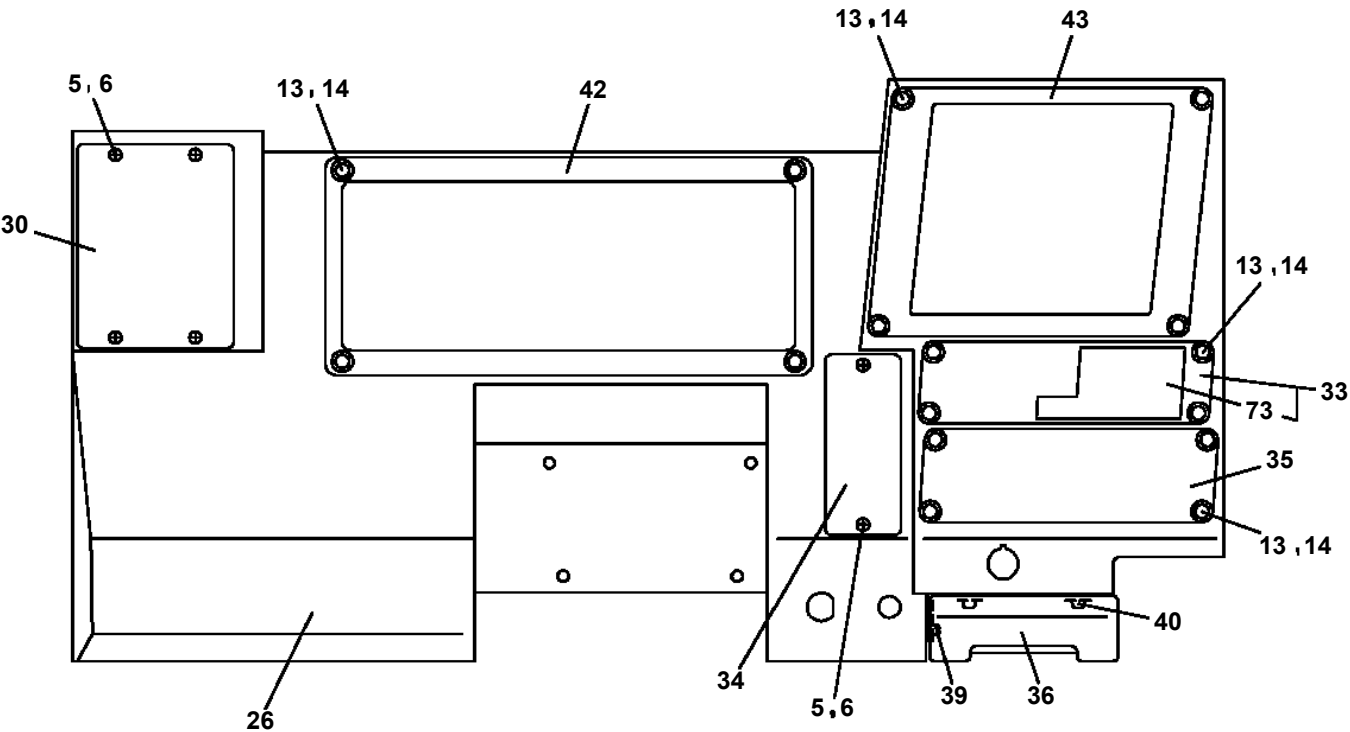
**GR-300E-1-00214 4 BOOM + 2 JIB,2M2D**

Pos No.	Parts No	Parts Name	Qty	Unit	Technical Data	Serial No (Start)	Serial No (End)
1	36303085040	JOINT,UNIVERSAL	2				
4	36302705040	BOLT	8				
5	36302705050	WASHER,SPRING	8				
11	82457109000	NIPPLE,GREASE	2		A-PT1/4		
21	82455106000	NIPPLE,GREASE	1		A-M6F FE		
51	36302975020	YOKE ASSY	1				
100	36302973000	SHAFT ASSY,PROPELLER (MATSUI)	1				

GR-300E-1-00214 4 BOOM + 2 JIB,2M2D  
PS5520002-00 SWING TABLE ASSY

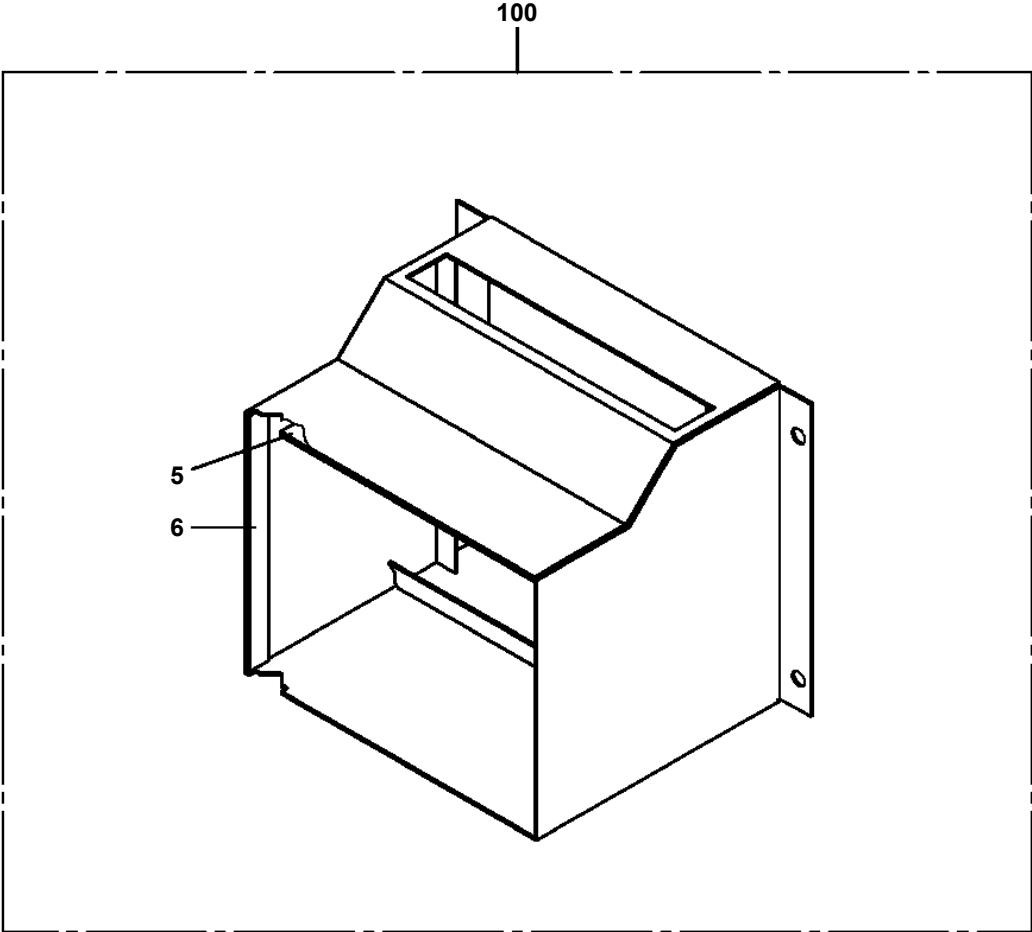


A-A



B

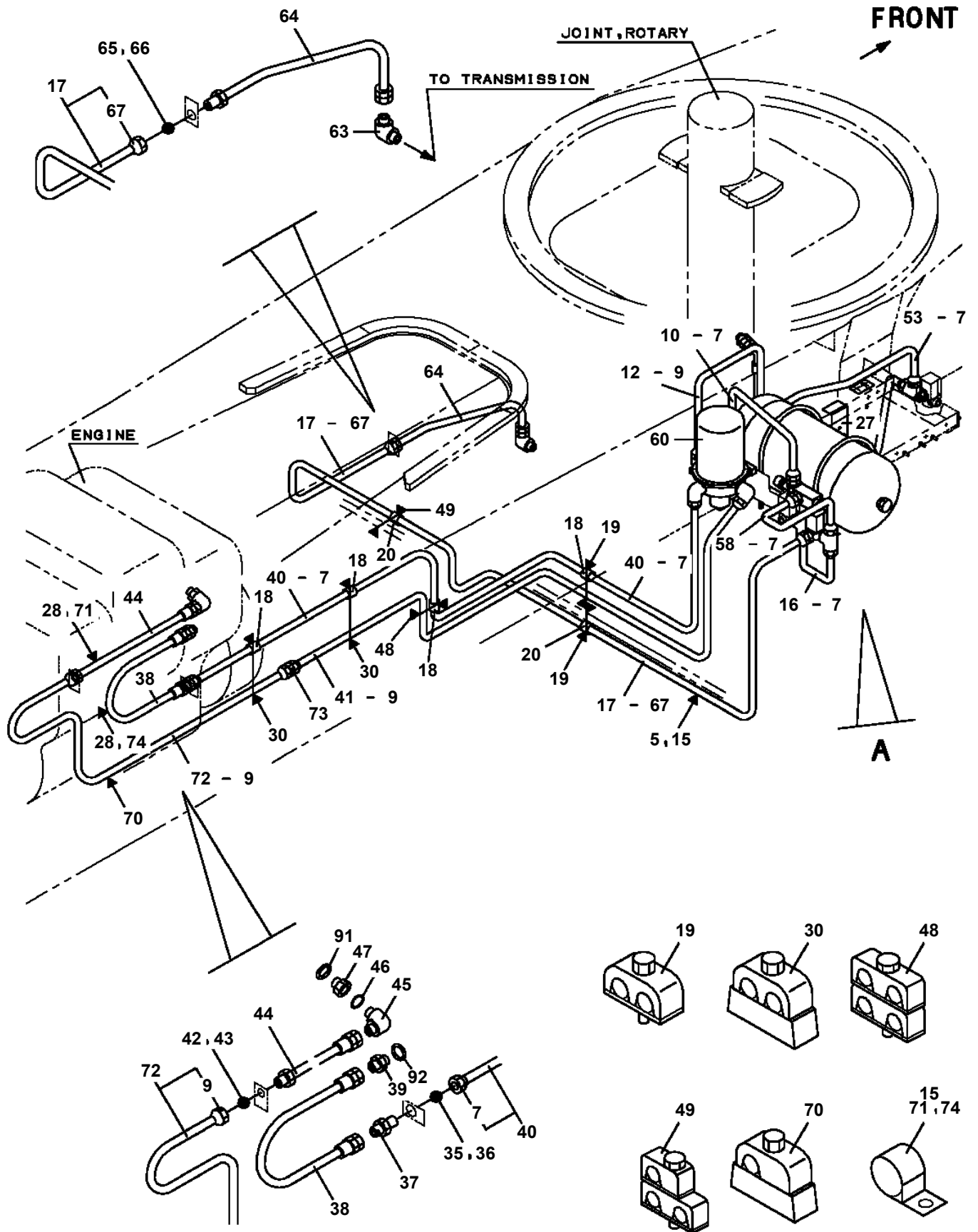
**GR-300E-1-00214 4 BOOM + 2 JIB,2M2D**  
**PS5550008-00 SUPPORT**



# GR-300E-1-00214 4 BOOM + 2 JIB,2M2D

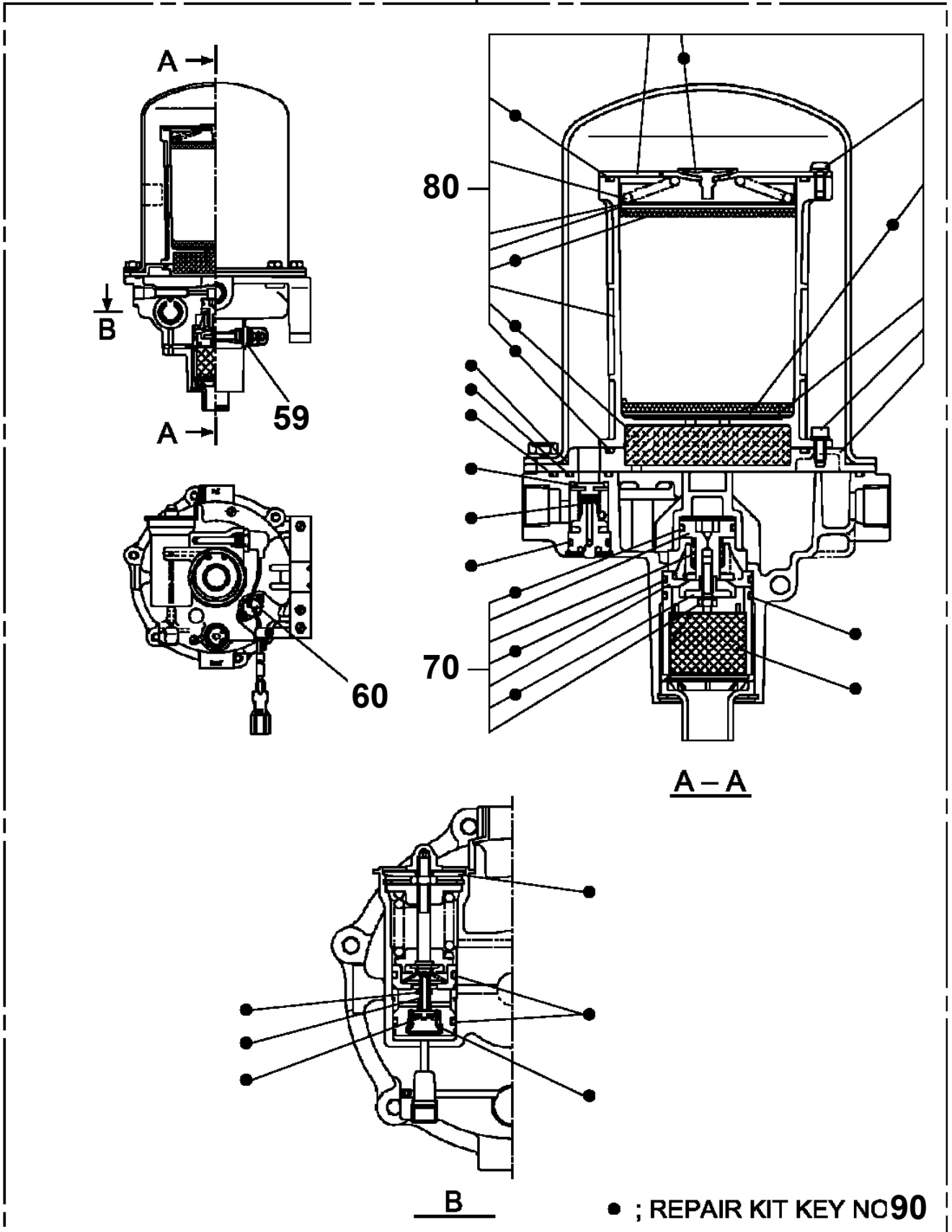
Pos No.	Parts No	Parts Name	Qty	Unit	Technical Data	Serial No (Start)	Serial No (End)	Remarks	Pages
1	36381975110	REPAIR KIT	1						
3	36381975170	CAM (KIT)	1						
4	36381975180	SLEEVE	2						
7	36381975210	BOLT	2						
8	36381975220	NUT	2						
9	36381975230	LEVER	1						
10	36382275040	BOLT	1						
11	36381975250	WASHER	1						
12	36381975260	WASHER	1						
14	36382275050	NUT	2						
51	36381975160	PAD KIT	1						
500	36381975060	BRAKE,PARKING	1						

**GR-300E-1-00214 4 BOOM + 2 JIB,2M2D**  
**PT1220084-02 PIPING,AIR**



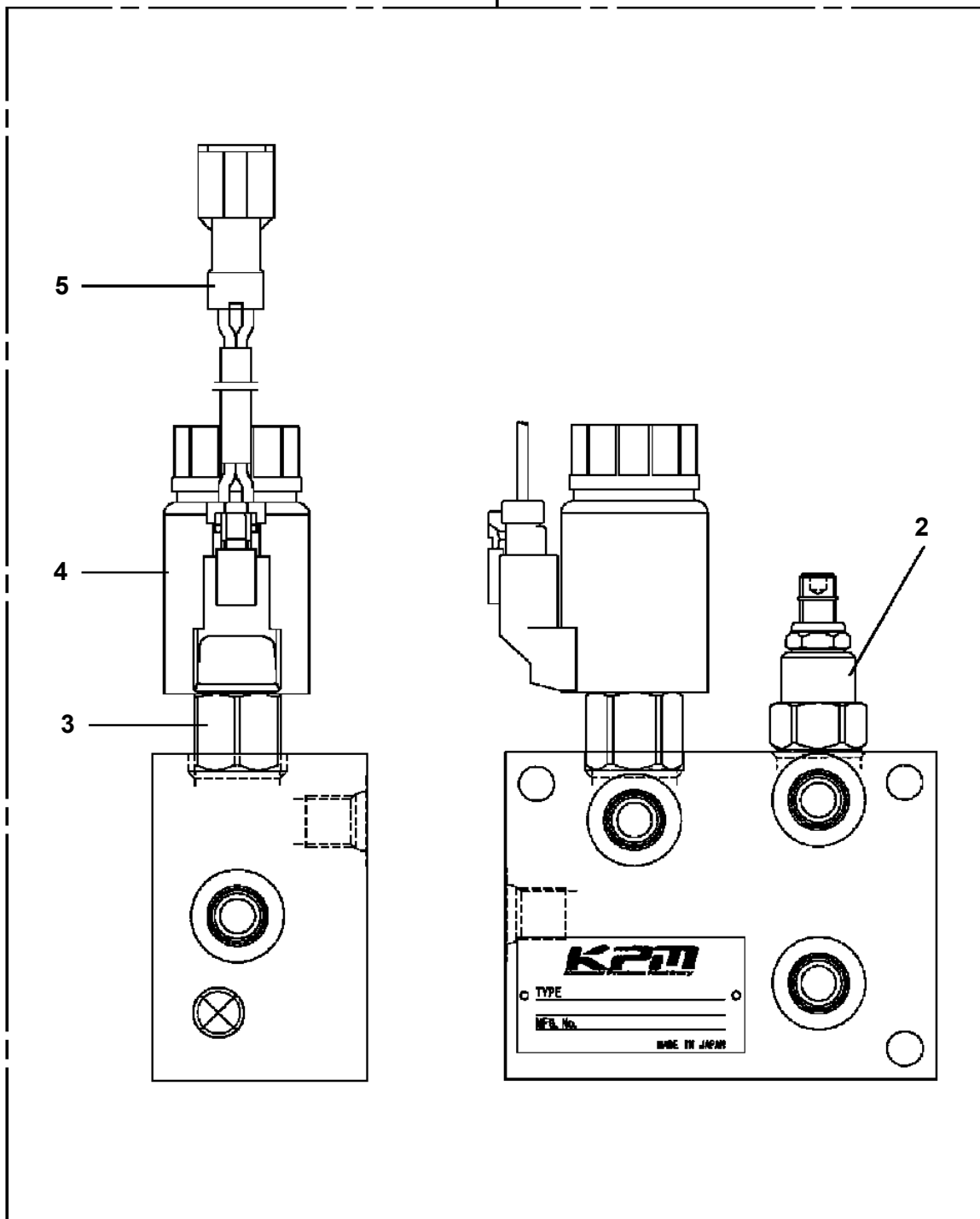
GR-300E-1-00214 4 BOOM + 2 JIB,2M2D  
PT1430012-00 DRIER,AIR

100



GR-300E-1-00214 4 BOOM + 2 JIB,2M2D  
PV5120001-00 VALVE ASSY,REDUCING

100



# GR-300E-1-00214 4 BOOM + 2 JIB,2M2D

Pos No.	Parts No	Parts Name	Qty	Unit	Technical Data	Serial No (Start)	Serial No (End)
1	36741855010	VALVE,CONTROL	1				
2	36741855020	VALVE,CONTROL	1				
3	91002909500	O-RING	1		1B G95		
4	91002801000	O-RING	1		1B P10		
5	36741545030	BOLT,HEXAGON SOCKET	4		M12X150		
6	36636615040	VALVE,RELIEF	1				
7	36640545020	VALVE,RELIEF	1				
8	90131910045	BOLT,HEXAGON SOCKET	8		M10X45		
9	36633335050	PLUG ASSY	1				
10	36636615330	VALVE,OVERLOAD RELIEF	2				
11	36649125010	VALVE,OVERLOAD RELIEF	1				
12	36634535120	VALVE,RELIEF	1				
13	36634535130	VALVE,RELIEF	1				
14	90151200100	BOLT,EYE	2		M10		
15	36634535210	PLUG	1		PF1/4		
16	91002801100	O-RING	1		1B P11		
17	36636615210	PLUG	2		NPT3/8		
18	91002801400	O-RING	2		1B P14		
105	91000512800	O-RING	8				
106	36648985130	RETAINER (SPRING)	2				
107	36646035120	SPRING (W2)	2				
108	36646035130	SPRING (W1)	2				
109	36646675040	RETAINER (SPRING)	4				
110	36648985090	END,SPOOL	2				
111	36646655070	COVER (PILOT)	2				
112	36646655080	COVER (PILOT)	2				
114	36631055180	SPRING	2				
115	36632585150	PLUG	7				
116	91002903000	O-RING	10		1B G30		
117	36646035150	RETAINER (SPRING)	3				
118	36631055300	VALVE,CHECK	3				
119	36631055310	SPRING	3				
120	36631055320	PLUG (CHECK VALVE)	4				
121	16095101070	O-RING	10				
122	90131508040	BOLT,HEXAGON SOCKET	16		M8X40		
123	90303100801	WASHER,PLAIN	16		8		
124	90302040801	WASHER,SPRING	16		8		
125	36636615210	PLUG	3		NPT3/8		
126	91002801400	O-RING	3		1B P14		
127	36647205050	PLUG	16		NPT1-16		
128	36648985100	SPRING	1				
203	36646675030	RETAINER (SPRING)	2				
204	36646035160	SPRING (B1)	2				
205	36646035170	SPRING (B2)	2				
207	36646675050	END,SPOOL	2				
208	90720008120	SCREW,SET	4		M8X12		
209	36648985110	BALL,STEEL	4		1/4		
210	36646655150	COVER (PILOT)	1				
212	36646655140	COVER (PILOT)	2				
214	36648985120	BALL,STEEL	1		5/16		
215	91002800800	O-RING	1		1B P8		
216	36636615280	PLUG	1				
221	36646035180	SPRING	2				
231	36646655130	COVER (PILOT)	1				
304	91002802800	O-RING	2		1B P28		
305	91411002800	RING,BACKUP	2		P28		
307	13215111010	PACKING	2				
312	91001001600	O-RING	14		1A S16		
315	16025153020	SPRING	4				
403	91000501500	O-RING	6		AS568-015		
504	16025153030	SPRING	4				
506	91002801001	O-RING	4		1B P10A		
999	36741850000	VALVE ASSY,SELECTOR (PILOT CONT.)	1				

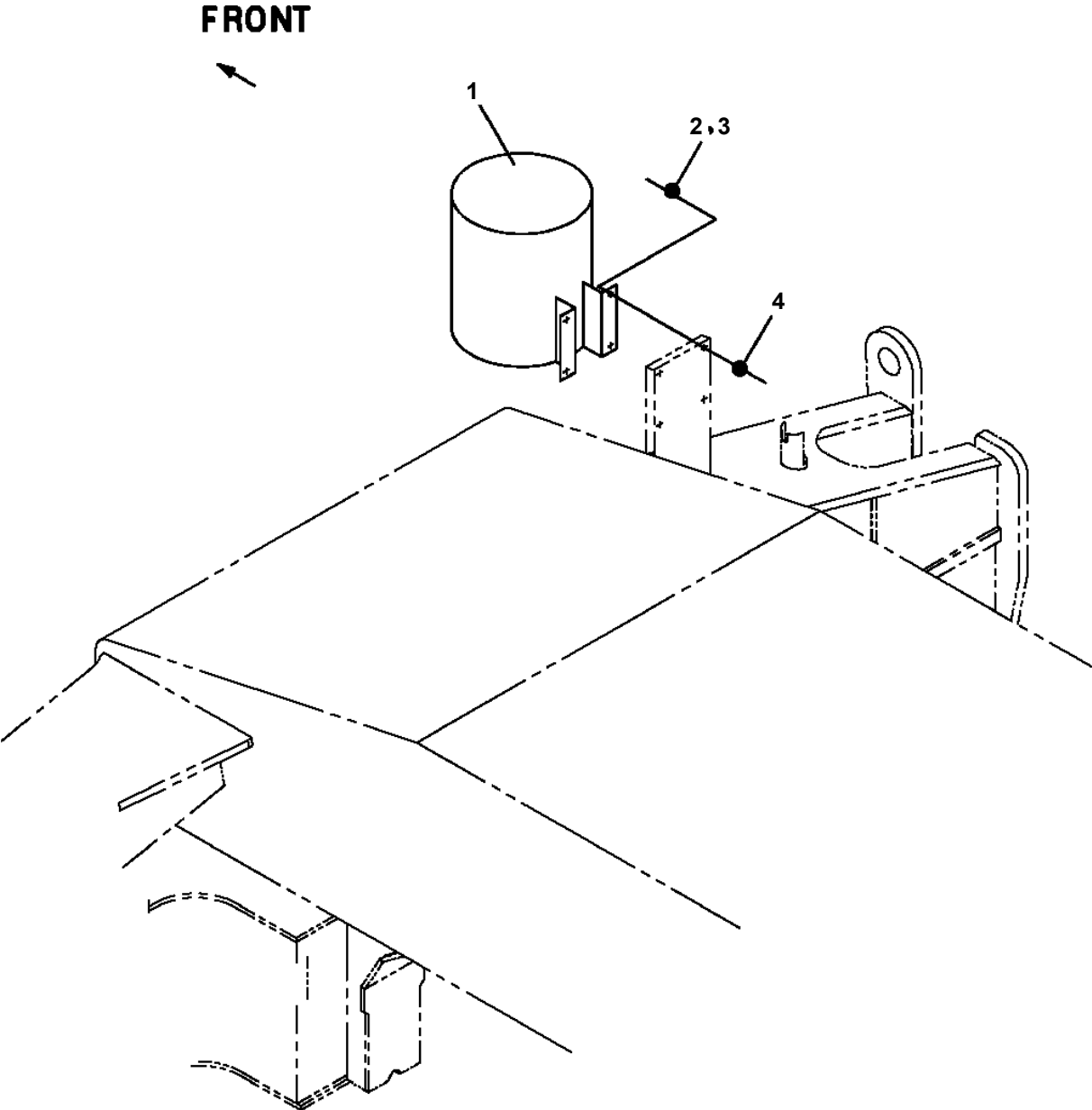
# GR-300E-1-00214 4 BOOM + 2 JIB,2M2D

Pos No.	Parts No	Parts Name	Qty	Unit	Technical Data	Serial No (Start)	Serial No (End)	Remarks	Pages
1	34461260100	MAT (FLOOR)	1						
2	34460330300	ROD	1						

# GR-300E-1-00214 4 BOOM + 2 JIB,2M2D

Pos No.	Parts No	Parts Name	Qty	Unit	Technical Data	Serial No (Start)	Serial No (End)	Remarks	Pages
1	37002600241	WEDGE	1						

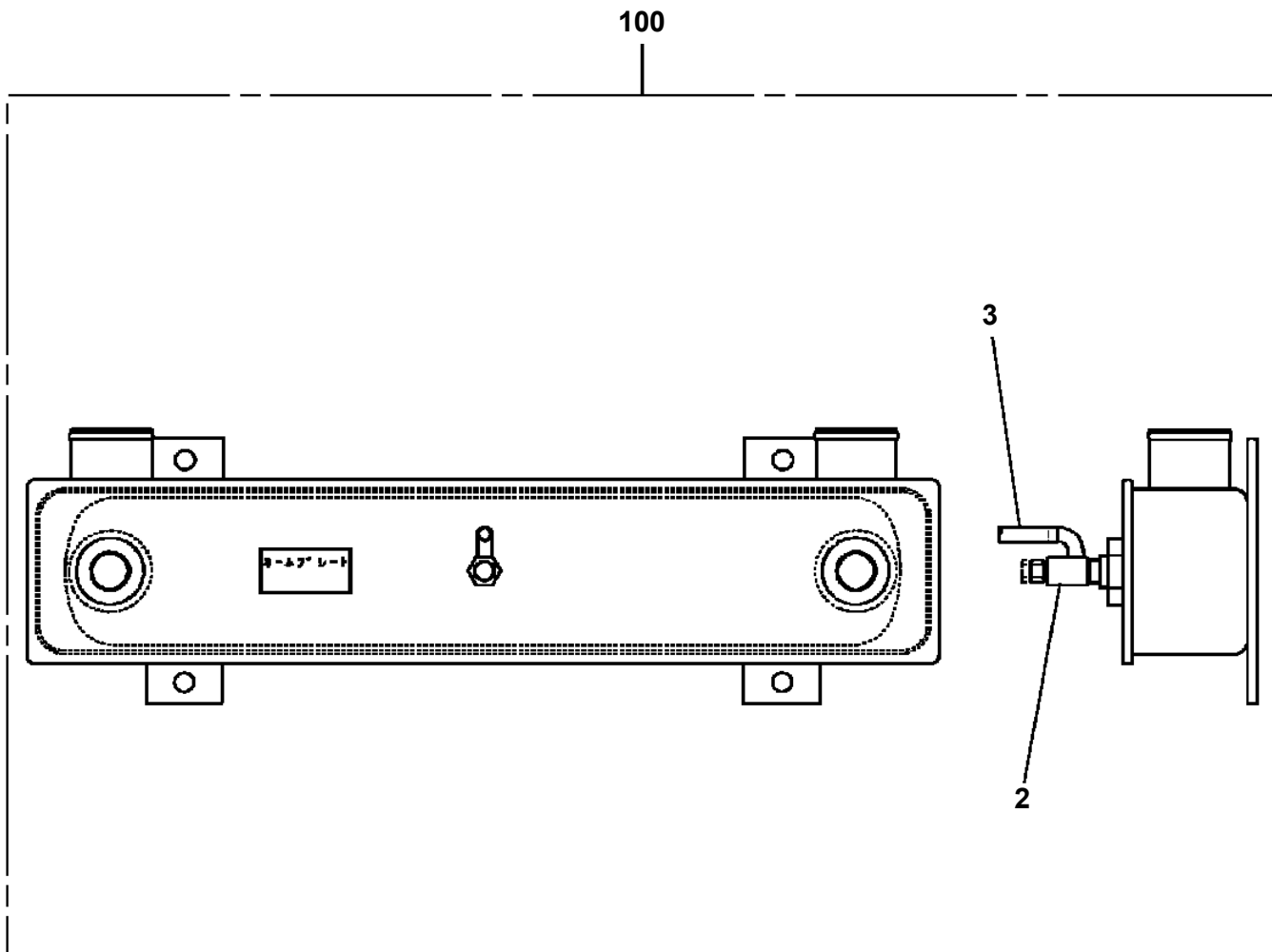
**GR-300E-1-00214 4 BOOM + 2 JIB,2M2D  
PX1180304-00 MOUNT,HOOK (AUX.)**



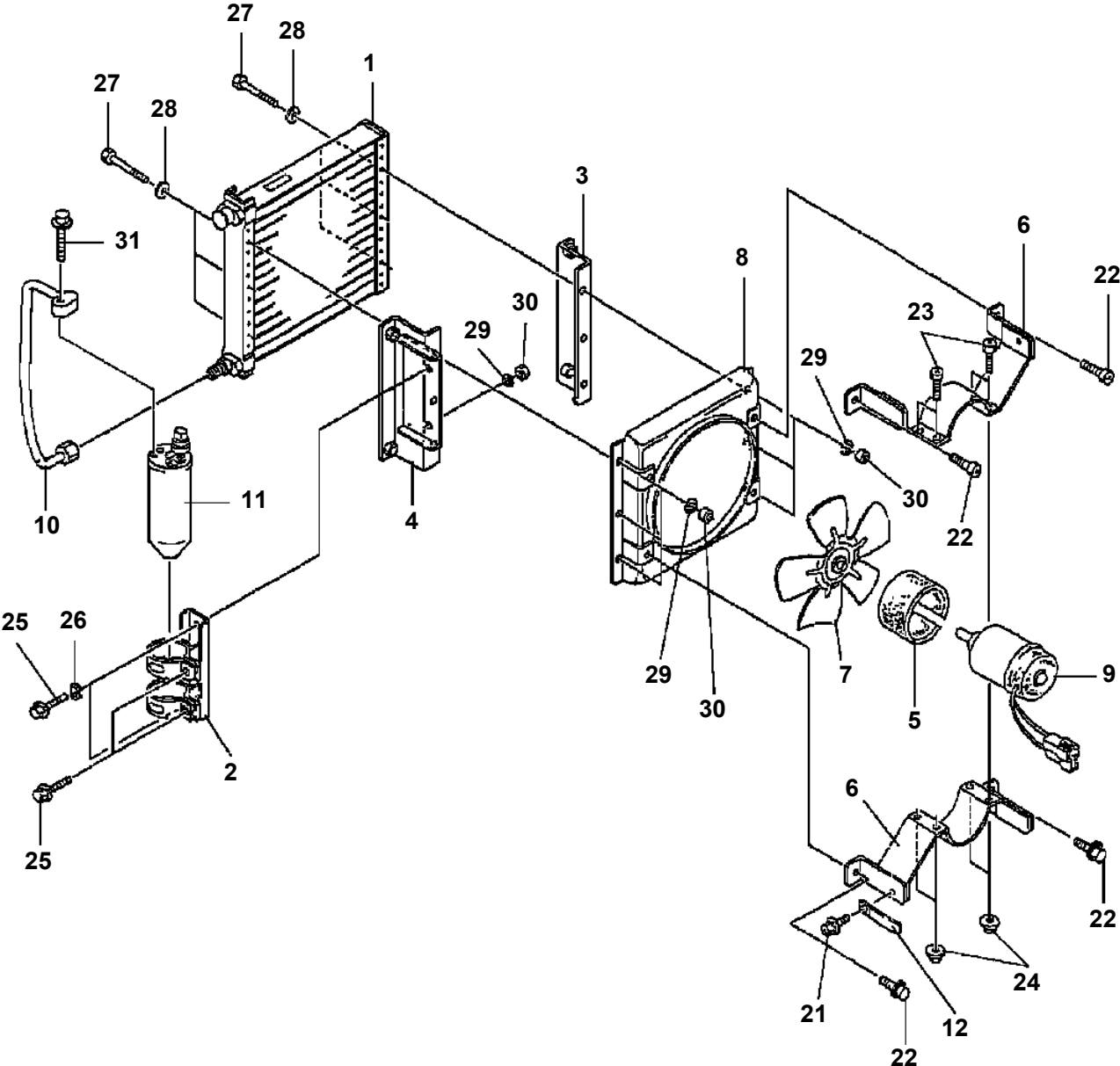
**GR-300E-1-00214 4 BOOM + 2 JIB,2M2D**  
**PX5010015-00 MOUNT ASSY (SWING FRAME WELDED PARTS)**

指示番号 KEY NO.	マウントASSY (センカイト <sup>°</sup> イヨウセツフ <sup>°</sup> ヒン) MOUNT ASSY (SWING FRAME WELDED PARTS)
1	サホ <sup>°</sup> -ト (キヤフ <sup>°</sup> /カ <sup>°</sup> イソウ/センカイト <sup>°</sup> ロック) SUPPORT (CAB/COVER, FRAME/SWING LOCK)
2	サホ <sup>°</sup> -トASSY (ユアツフ <sup>°</sup> ヒン) SUPPORT ASSY (HYDRAULIC PARTS)

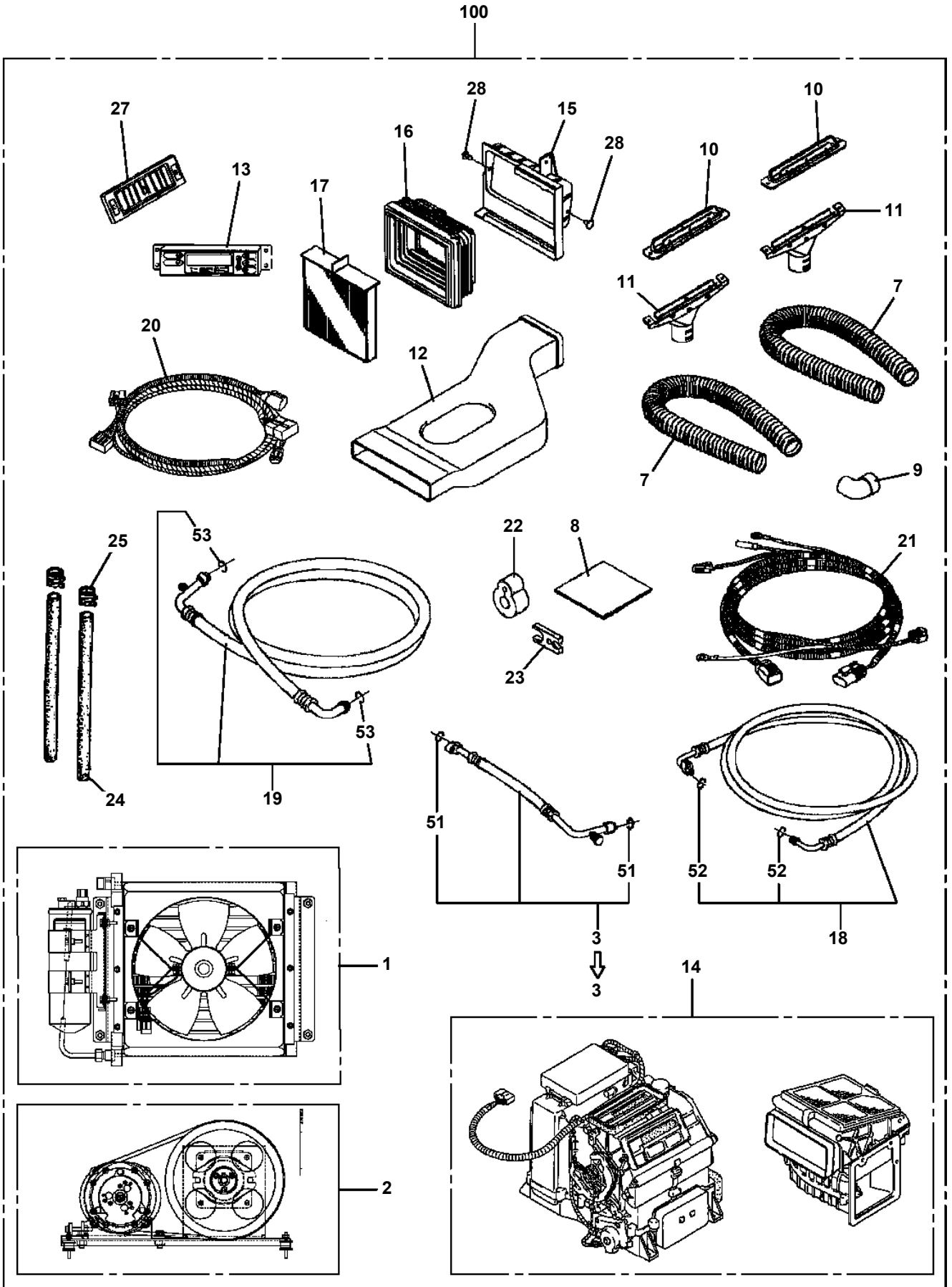
GR-300E-1-00214 4 BOOM + 2 JIB,2M2D  
PY1300039-00 COOLER,OIL



**GR-300E-1-00214 4 BOOM + 2 JIB,2M2D**  
**PY1380059-01 CONDENSER**



GR-300E-1-00214 4 BOOM + 2 JIB,2M2D  
PY2270045-02 AIR CONDITIONER



CLICK HERE TO **DOWNLOAD** THE COMPLETE MANUAL

- Thank you very much for reading the preview of the manual.
- You can download the complete manual from: [www.heydownloads.com](http://www.heydownloads.com) by clicking the link below



- Please note: If there is no response to CLICKING the link, please download this PDF first and then click on it.

CLICK HERE TO **DOWNLOAD** THE COMPLETE MANUAL