

GR-1450E-3-00101 6 BOOM + 2 JIB(FIX), 2M2D

PB5000037-00 HYDRAULIC PRESSURE SYSTEM
PB6000096-00 PIPING SYSTEM (UPPER)
PB6000098-00 PIPING SYSTEM (LOWER)
PC1000679-00 OUTRIGGER SYSTEM
PD1000657-00 SWING SYSTEM
PF1000778-00 WINCH SYSTEM
PG3000042-00 JIB SYSTEM
PG5000050-00 BOOM SYSTEM
PH5000040-00 SAFETY SYSTEM
PK1000834-00 FRAME
PK5000044-00 CAB SYSTEM
PL5000044-00 CONTROL SYSTEM
PN1000742-01 ELECTRIC EQUIPMENT (CAB)
PN1000744-00 ELECTRIC EQUIPMENT
PO1000150-00 INDICATION PLATES
PP1000037-00 DISASSEMBLY DEVICES
PR5000059-00 DRIVING POWER SYSTEM
PS5000031-00 STEERING & SUSPENSION
PW1000097-02 ACCESSORIES & TOOLS
PX1001331-03 MOUNTING PARTS
PY1001789-02 OPTION UNIT,1
ASSEMBLY

CLICK HERE TO **DOWNLOAD** THE COMPLETE MANUAL

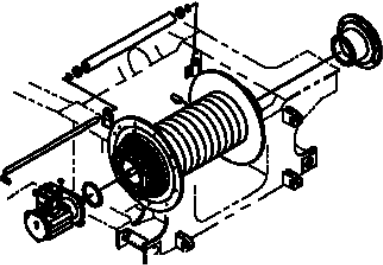
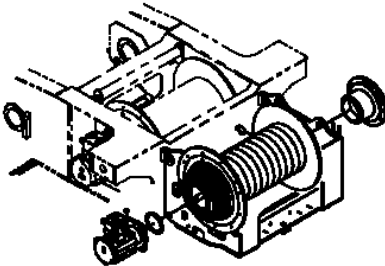
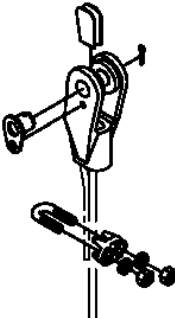
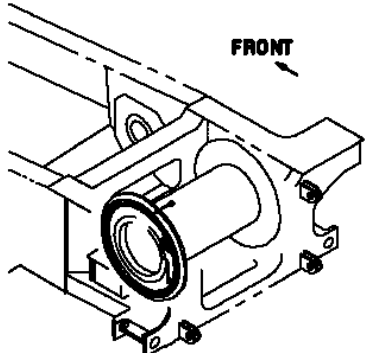
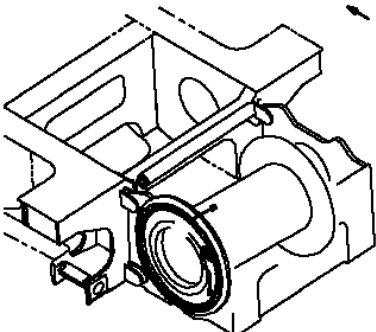
- Thank you very much for reading the preview of the manual.
- You can download the complete manual from: www.heydownloads.com by clicking the link below



- Please note: If there is no response to CLICKING the link, please download this PDF first and then click on it.

CLICK HERE TO **DOWNLOAD** THE COMPLETE MANUAL

**GR-1450E-3-00101 6 BOOM + 2 JIB(FIX), 2M2D
PF1000778-00 WINCH SYSTEM**

<p>1 MAIN</p> 	<p>2 AUX.</p> 	<p>3</p> <p>ロープ、ワイヤ (メイン) <19x320M> ROPE, WIRE (MAIN) <19x320M></p>
<p>4</p> <p>ロープ、ワイヤ (オグジュアリ) <19x225M> ROPE, WIRE (AUX.) <19x225M></p>	<p>5 MAIN & AUX.</p> 	<p>6 MAIN</p>  <p>FRONT</p>
<p>7 AUX.</p>  <p>FRONT</p>		

適用製造番号によっては取り付けがないものもあります。

MACHINES OF SOME SERIAL NO. ARE NOT EQUIPPED WITH THESE PARTS.

GR-1450E-3-00101 6 BOOM + 2 JIB(FIX), 2M2D

Pos No.	Parts No	Parts Name	Qty	Unit	Technical Data	Serial No (Start)	Serial No (End)	Re
1	(*****)	CAB ASSY	1					
2	(*****)	SWING TABLE ASSY	1					
3	(*****)	STEERING ASSY (CAB)	1					
4	(*****)	MOUNT ASSY,COMPRESSOR	1					
5	(*****)	MOUNT ASSY,EVAPORATOR	1					
6	(*****)	AIR CONDITIONER ASSY	1					
7	(*****)	AIR CONDITIONER ASSY	1					
8	(*****)	COVER ASSY (TELEMATICS-LESS)	1					

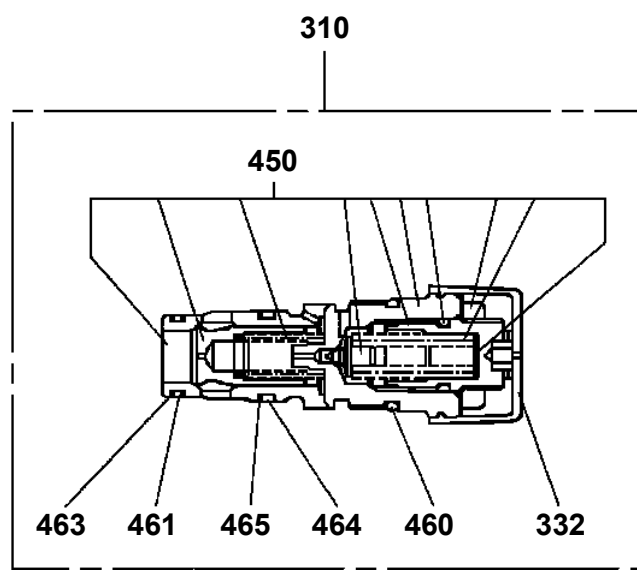
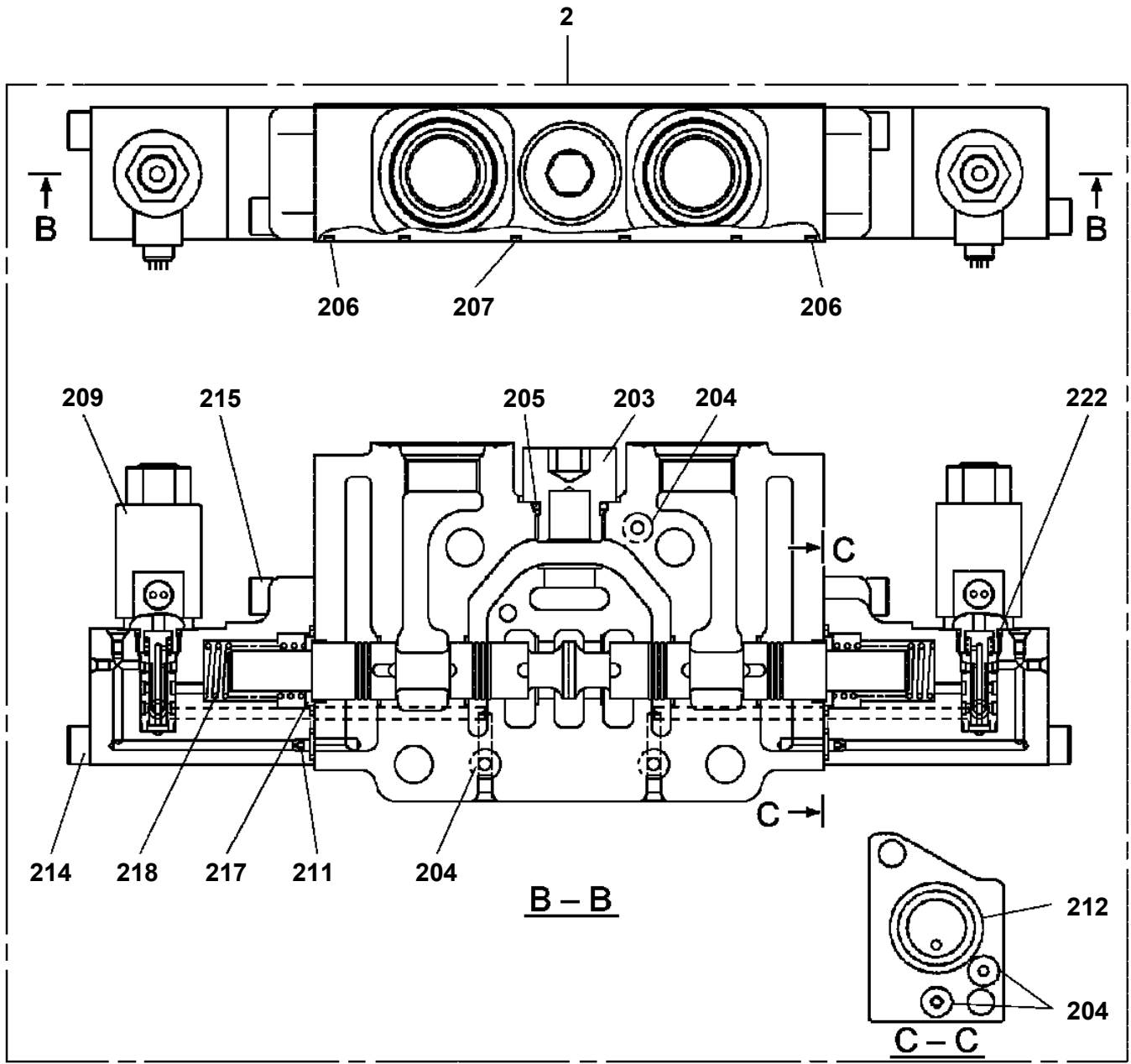
GR-1450E-3-00101 6 BOOM + 2 JIB(FIX), 2M2D

Pos No.	Parts No	Parts Name	Qty	Unit	Technical Data	Serial No (Start
1	36361700000	ENGINE ASSY (MITSUBISHI)	1			
2	36370630000	TORQUE CONVERTER ASSY	1			
3	36350730000	TRANSMISSION ASSY	1			
4	36382260000	AXLE ASSY (1ST,2ND,3RD)	1			
5	(*****)	EXHAUST ASSY	1			
6	(*****)	AIR INTAKE ASSY	1			
7	(*****)	MOUNT ASSY,POWER TRAIN	1			
8	(*****)	MOUNT ASSY,RADIATOR	1			
9	(*****)	MOUNT ASSY,FUEL TANK	1			
10	(*****)	WHEEL ASSY (TITAN STEEL WHEEL + MICHELIN)	6			
	(*****)	WHEEL ASSY (TOPY + BRIDGESTONE)	6			
	(*****)	WHEEL ASSY (TITAN STEEL WHEELS + YOKOHAMA)	6			
	(*****)	WHEEL ASSY (TITAN STEEL WHEEL + BRIDGESTONE)	6			
	(*****)	WHEEL ASSY (WI + MICHELIN)	6			
	(*****)	WHEEL ASSY (TOPY + YOKOHAMA)	6			
	(*****)	WHEEL ASSY (WI + YOKOHAMA)	6			
	(*****)	WHEEL ASSY (WI + BRIDGESTONE)	6			
11	(*****)	MOUNT ASSY,POWER TRAIN (BLOWBY HOSE)	1			

GR-1450E-3-00101 6 BOOM + 2 JIB(FIX), 2M2D

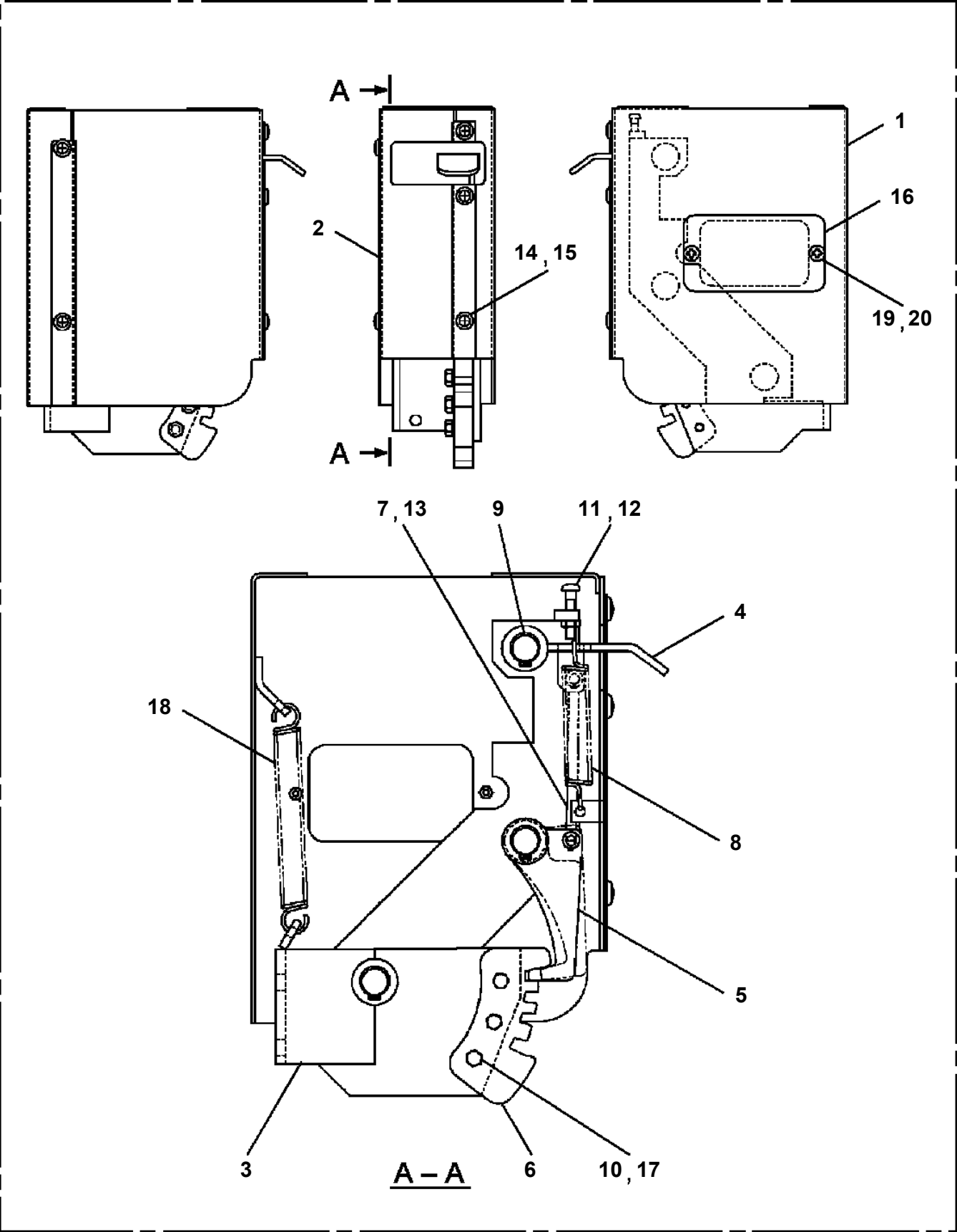
PB1100175-00 PUMP,HYDRAULIC (EMERGENCY STEERING)
PB1340083-02 VALVE,SOLENOID CONTROL
PB5190064-01 BOOM ASSY
PB5200004-02 BOOM ASSY,BASE
PB5260012-00 BOX ASSY (LEFT)
PB5260013-00 BOX ASSY (RIGHT)
PB5260108-00 BOX ASSY
PB5260122-00 BOX ASSY
PB5260123-00 BOX ASSY
PB5410137-00 BOX,TOOL
PB5450001-02 BOOM ASSY,TELE.1
PB5460001-02 BOOM ASSY,TELE.2
PB5470001-02 BOOM ASSY,TELE.3
PB5480001-02 BOOM ASSY,TELE.4
PB5490001-02 BOOM ASSY,TELE.5
PC1370040-00 DETECTOR,OUTRIGGER LENGTH
PC5010062-01 DOOR ASSY (CAB)
PC5010065-00 CAB ASSY (FUSEBOX COVER)
PC5010081-01 CAB ASSY
PC5010096-00 CAB ASSY
PC5010111-00 CAB ASSY
PC5270001-00 CLEANER ASSY,AIR
PC5310001-00 CLUTCH PACK,TRANSMISSION
PC5310006-00 CLUTCH PACK,TRANSMISSION
PC5320001-01 CLUTCH,POWER TAKE OFF
PC5340009-00 COMPRESSOR ASSY
PC5350001-01 CONDENSER ASSY
PC5420006-00 CONTROLLER (GSMT)
PC5420009-01 CONTROLLER (DCU2)
PC5420010-01 CONTROLLER (VCU)
PC5490010-00 COOLER ASSY,OIL
PC5570026-01 COVER ASSY (TELEMATICS-LESS)
PC5590030-00 COVER ASSY,ENGINE (ENGINE COVER)
PC5590031-01 COVER ASSY,ENGINE
PC5590032-00 COVER ASSY,ENGINE (RADIATOR)
PC5650031-00 CABLE (BATTERY RELAY -- STARTER MOTOR)
PC5700047-00 COVER
PC6010017-00 CYLINDER ASSY
PC6010035-00 CYLINDER ASSY (WITH VALVE)
PC6140002-00 CYLINDER ASSY (TILT)
PC6150001-00 CYLINDER ASSY (DISMOUNTING)
PC6200008-01 CYLINDER ASSY (QUICK TURN JIB,PISTON WPB)
PC6200009-01 CYLINDER ASSY (QUICK TURN JIB,IP)
PC6200010-01 CYLINDER ASSY (QUICK TURN JIB,PISTON:PACKING ASSY)
PC6230002-00 CYLINDER ASSY (PIN DISMOUNTING)
PC6330008-00 CYLINDER ASSY (WEIGHT REMOVER)
PC6370025-01 CYLINDER ASSY,DERRICK
PC6380018-00 CYLINDER ASSY,EXTENSION
PC6390081-01 CYLINDER ASSY,JACK
PC6440008-00 CYLINDER ASSY,SPRING LOCK
PC6450013-01 CYLINDER ASSY,STEERING
PC6450014-02 CYLINDER ASSY,STEERING
PC6470086-01 CYLINDER ASSY,TELESCOPING
PD5020011-00 DERRICK ASSY
PD5030002-01 DETECTOR ASSY
PD5030003-01 DETECTOR ASSY
PD5030010-01 DETECTOR ASSY (SUSPENSION)
PD5080062-01 DETECTOR ASSY,LENGTH
PD5150002-01 DISASSEMBLING DEVICE (BOOM)
PD5150003-00 DISASSEMBLING DEVICE (FOOT PIN)
PD5150005-00 DISASSEMBLING DEVICE (OUTRIGGER)
PD5150011-02 DISASSEMBLING DEVICE (DERRICK CYLINDER ROD PIN)
PD5360001-00 DUCT
PD5360002-00 DUCT

GR-1450E-3-00101 6 BOOM + 2 JIB(FIX), 2M2D
PB1340083-02 VALVE,SOLENOID CONTROL

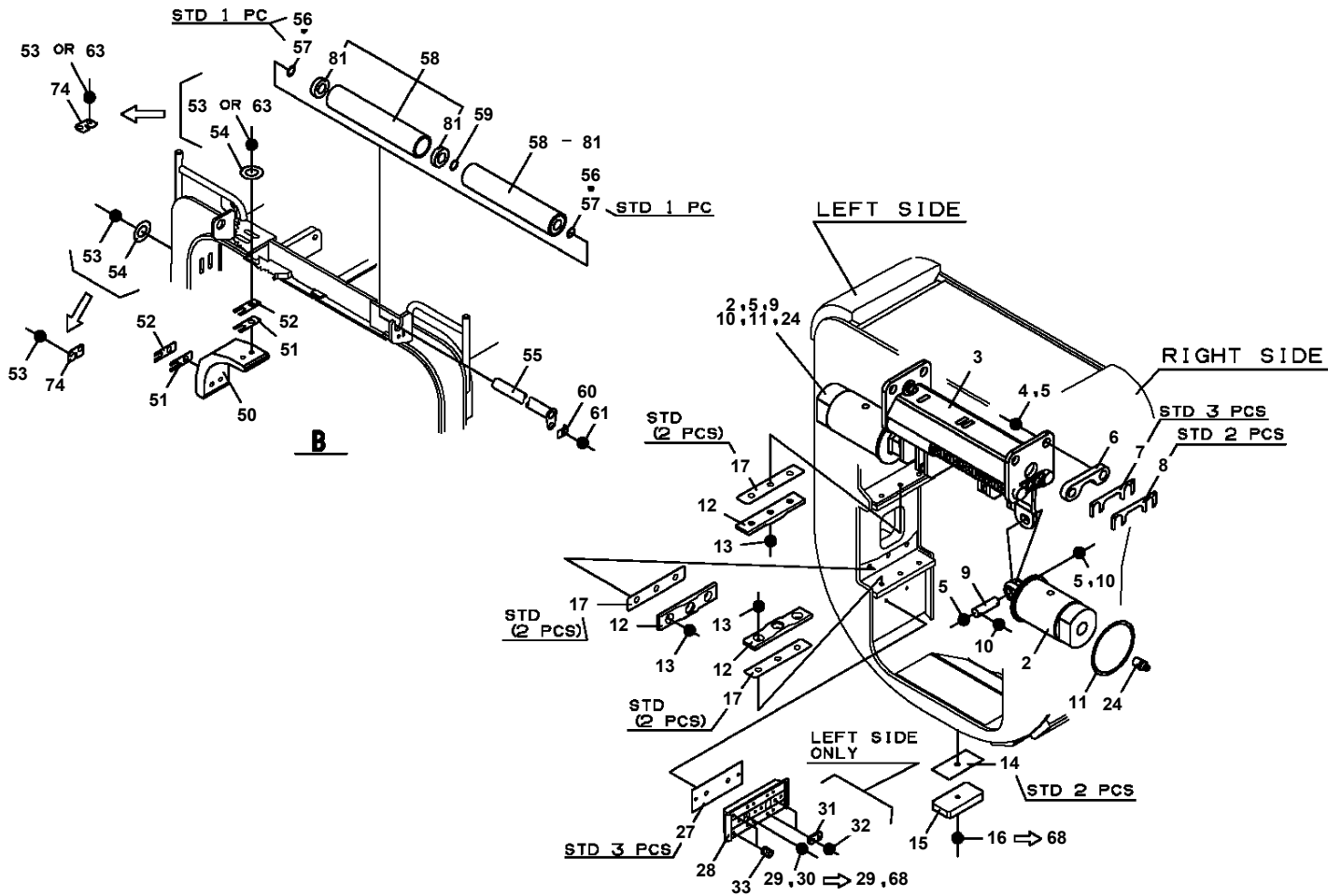


GR-1450E-3-00101 6 BOOM + 2 JIB(FIX), 2M2D
PB5260013-00 BOX ASSY (RIGHT)

100



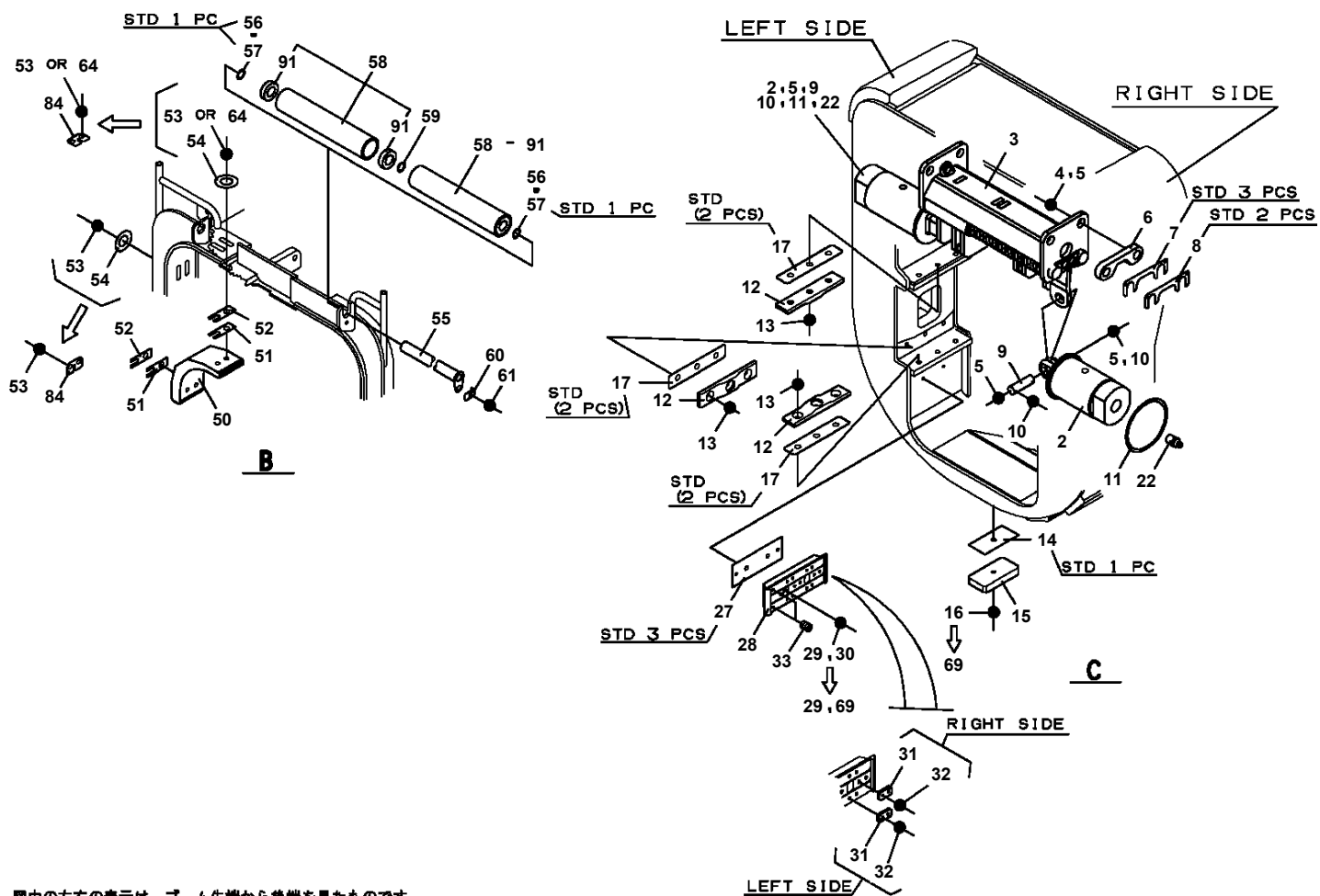
**GR-1450E-3-00101 6 BOOM + 2 JIB(FIX), 2M2D
PB5450001-02 BOOM ASSY,TELE.1**



図中の左右の表示は、ブーム先端から後端を見たものです。
THE RIGHT AND LEFT IN FIGURE ARE THE EXPRESSION THAT SEES FROM BOOM TOP TO END.

C

**GR-1450E-3-00101 6 BOOM + 2 JIB(FIX), 2M2D
PB5480001-02 BOOM ASSY,TELE.4**



図中の左右の表示は、ブーム先端から後端を見たものです。
THE RIGHT AND LEFT IN FIGURE ARE THE EXPRESSION THAT SEES FROM BOOM TOP TO END.

GR-1450E-3-00101 6 BOOM + 2 JIB(FIX), 2M2D

Pos No.	Parts No	Parts Name	Qty	Unit	Technical Data	Serial No (Start)	Serial No (End)	Remarks	Page
1	34261812111	COVER (BOX,FUSE)	1						
2	34261812121	COVER (BOX,FUSE)	1						
3	34260952170	COVER (BOX,FUSE)	1						
4	90305000601	WASHER	19		6				
5	34261817520	SCREW,MACHINE	19		M6X12				
12	34260757520	KNOB (BLACK)	1						
13	80613110050	RING,RETAINING	1						

GR-1450E-3-00101 6 BOOM + 2 JIB(FIX), 2M2D

Pos No.	Parts No	Parts Name	Qty	Unit	Technical Data	Serial No (Start)	Serial No (End)	Remarks	Page
1	36361325010	ELEMENT,OUTER	1						
2	36361495010	ELEMENT,INNER	1						
3	36361495020	INDICATOR ASSY	1						
4	36361325050	COVER	1						
100	36361491080	CLEANER ASSY,AIR	1						

GR-1450E-3-00101 6 BOOM + 2 JIB(FIX), 2M2D

Pos No.	Parts No	Parts Name	Qty	Unit	Technical Data	Serial No (Start)	Serial No (End)	Remarks	P
100	36172650000	CONTROLLER (GSMT)	1						

GR-1450E-3-00101 6 BOOM + 2 JIB(FIX), 2M2D

Pos No.	Parts No	Parts Name	Qty	Unit	Technical Data	Serial No (Start)	Serial No (End)	Remarks	Pa
1	34693111100	COVER	1						
2	34693171100	COVER	1						
3	34693171200	COVER	1						
5	34693171500	COVER	1						
6	34693171600	COVER	1						
7	90186210014	BOLT,FLANGE	12		M10X14				
8	82466301450	INSULATOR	2						
9	80172804020	SCREW,MACHINE	2		M4X20				
10	34690923600	HINGE	2						
11	90101208020	BOLT	6		M8X20				
12	90302040801	WASHER,SPRING	8		8				
13	90201200800	NUT	6		M8				
15	80182308014	SCREW,MACHINE	2		M8X14				
16	82400000357	CATCH	1						
31	35590249511	COVER ASSY	2						
42	82400000346	CATCH	3						
43	80147310430	RIVET	48		NSA 4-3				
44	82464110002	HINGE	6						
54	34693179511	COVER ASSY	1						
80	34693029520	COVER ASSY	1						
90	34692802200	HINGE	2						
93	82466112900	CATCH	1						
100	80147310450	RIVET	4		NSA4-5				
200	34693178010	COVER ASSY,ENGINE	1						

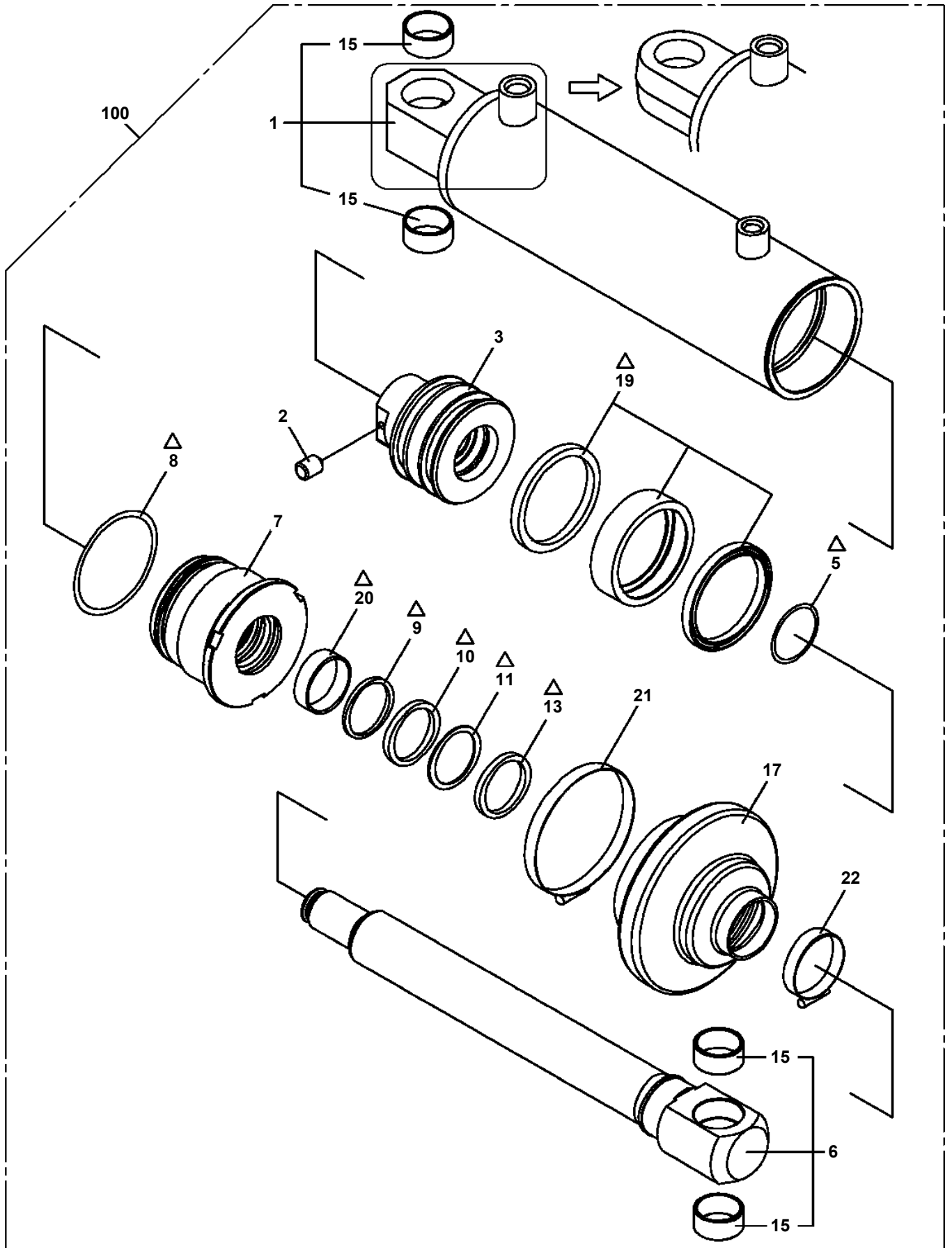
GR-1450E-3-00101 6 BOOM + 2 JIB(FIX), 2M2D

Pos No.	Parts No	Parts Name	Qty	Unit	Technical Data	Serial No (Start)	Serial No (End)	Remarks	P
1	91660003001	SEAL,DUST	1						
3	91694003000	PACKING	1						
4	91002803900	O-RING	1		1B P39				
5	36041541000	COVER,ROD	1						
6	36051371000	CYLINDER	1						
7	36051372000	ROD	1						
8	36050920300	PISTON	1						
9	91684004000	PACKING	2						
10	80136340032	PIN,SPLIT	1		4X32				
11	90236401600	NUT,CASTLE	1		M16 H				
12	80801002520	BEARING,PLAIN	1						
13	91002801800	O-RING	1		1B P18				
14	80535200251	END	1						
15	91411203001	RING,BACKUP	3						
16	90209202400	NUT	1		M24				
40	36051379900	PACKING SET	1		30X40				
50	36054460000	CYLINDER ASSY (TILT)	1						

GR-1450E-3-00101 6 BOOM + 2 JIB(FIX), 2M2D

Pos No.	Parts No	Parts Name	Qty	Unit	Technical Data	Serial No (Start)	Serial No (End)
1	36053143000	COVER,ROD	1				
2	36054201000	CYLINDER	1				
3	36054202000	ROD	1				
4	36054203000	PISTON	1				
5	36051333201	ADAPTER	1				
6	91410013000	RING,BACKUP	1		P130		
7	91002813000	O-RING	1		1B P130		
8	91251100650	RING,DAMPER	1				
9	91694106500	PACKING	1				
10	91410206503	RING,BACKUP	1				
11	91000525500	O-RING	1		AS568-255		
12	91660006500	SEAL,DUST	1				
13	80622000650	RING,RITAINING	1		SP65		
14	91301414000	BEARING,PLAIN	2				
15	91684014003	PACKING	2				
16	91431212501	RING,BACKUP	1				
17	91410106500	RING,BACKUP	1				
18	91002906500	O-RING	1		1B G65		
19	90730008140	SCREW,SET	1		M8X14		
20	80316100010	PLUG	1		GPF1/8		
21	91002800800	O-RING	1		1B P8		
22	36053970020	PLUG	1				
23	91002800400	O-RING	1		1B P4		
24	37001601160	NUT	1		M10		
50	36054209900	PACKING SET	1		65X140		
100	36054200000	CYLINDER ASSY (WEIGHT REMOVER)	1				

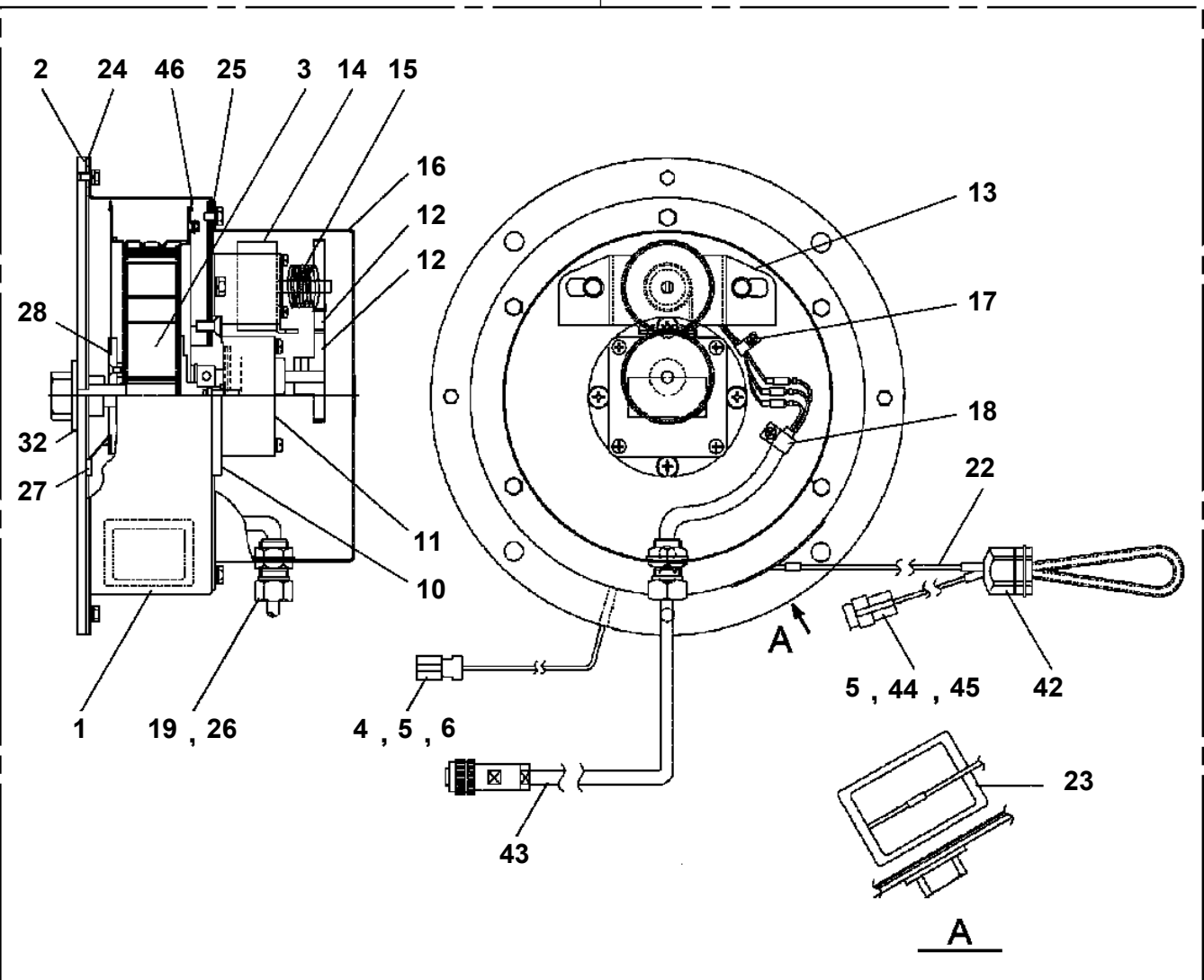
**GR-1450E-3-00101 6 BOOM + 2 JIB(FIX), 2M2D
PC6450014-02 CYLINDER ASSY,STEERING**



Δ:PACKING SET KEY NO.80 (KEY NO.5,8,9,10,11,13,19,20)

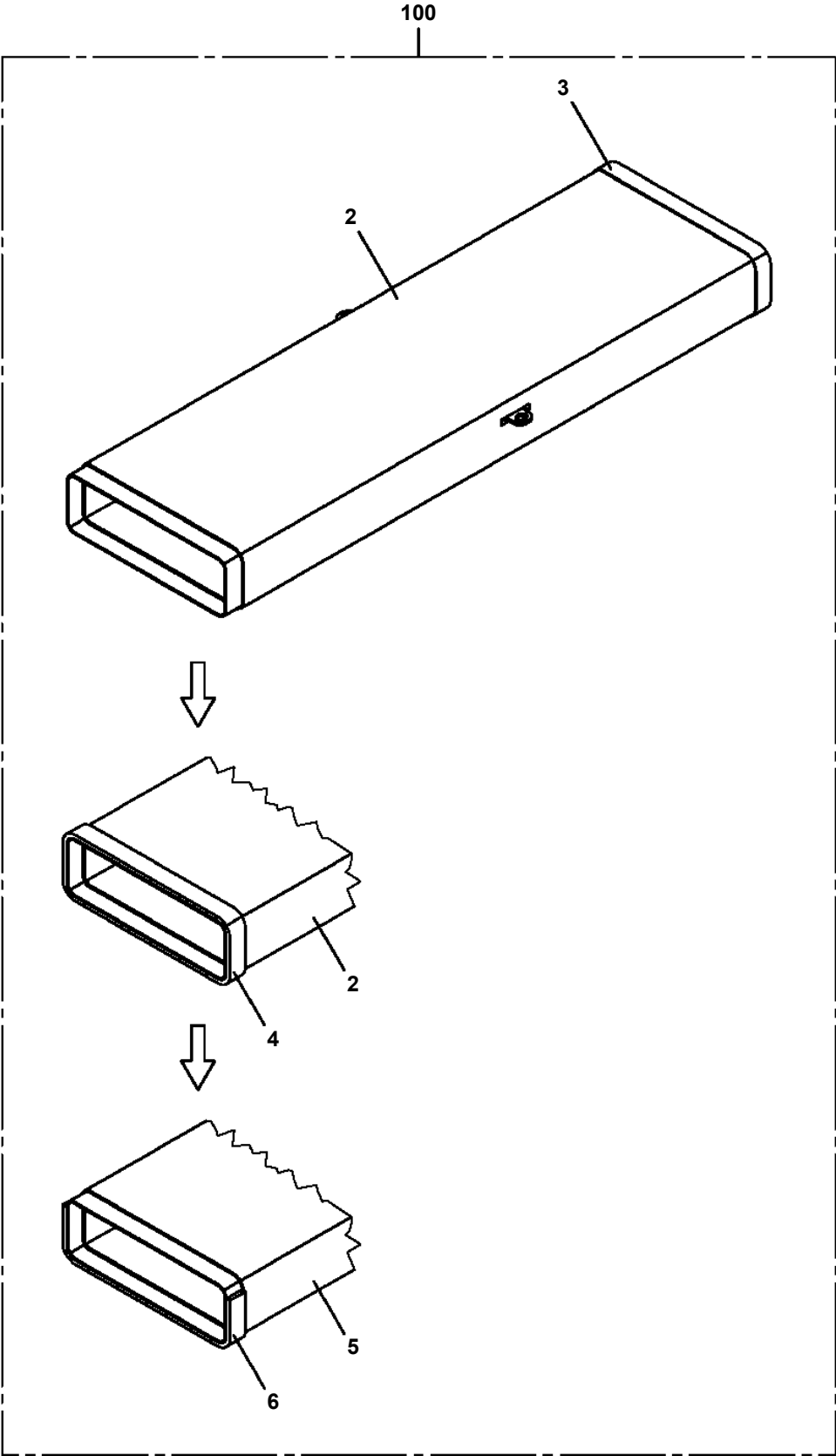
GR-1450E-3-00101 6 BOOM + 2 JIB(FIX), 2M2D
PD5080062-01 DETECTOR ASSY,LENGTH

100

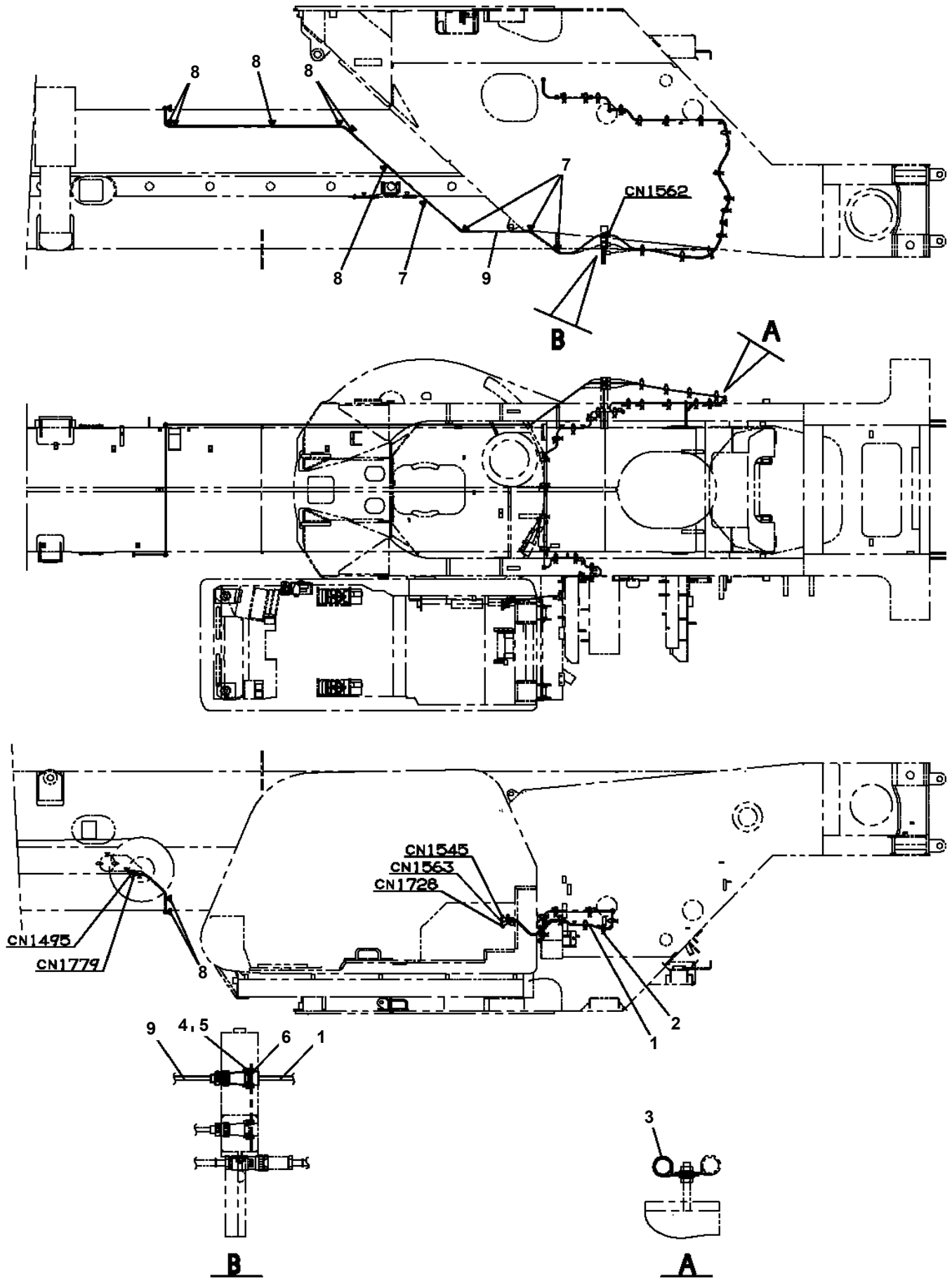


GR-1450E-3-00101 6 BOOM + 2 JIB(FIX), 2M2D

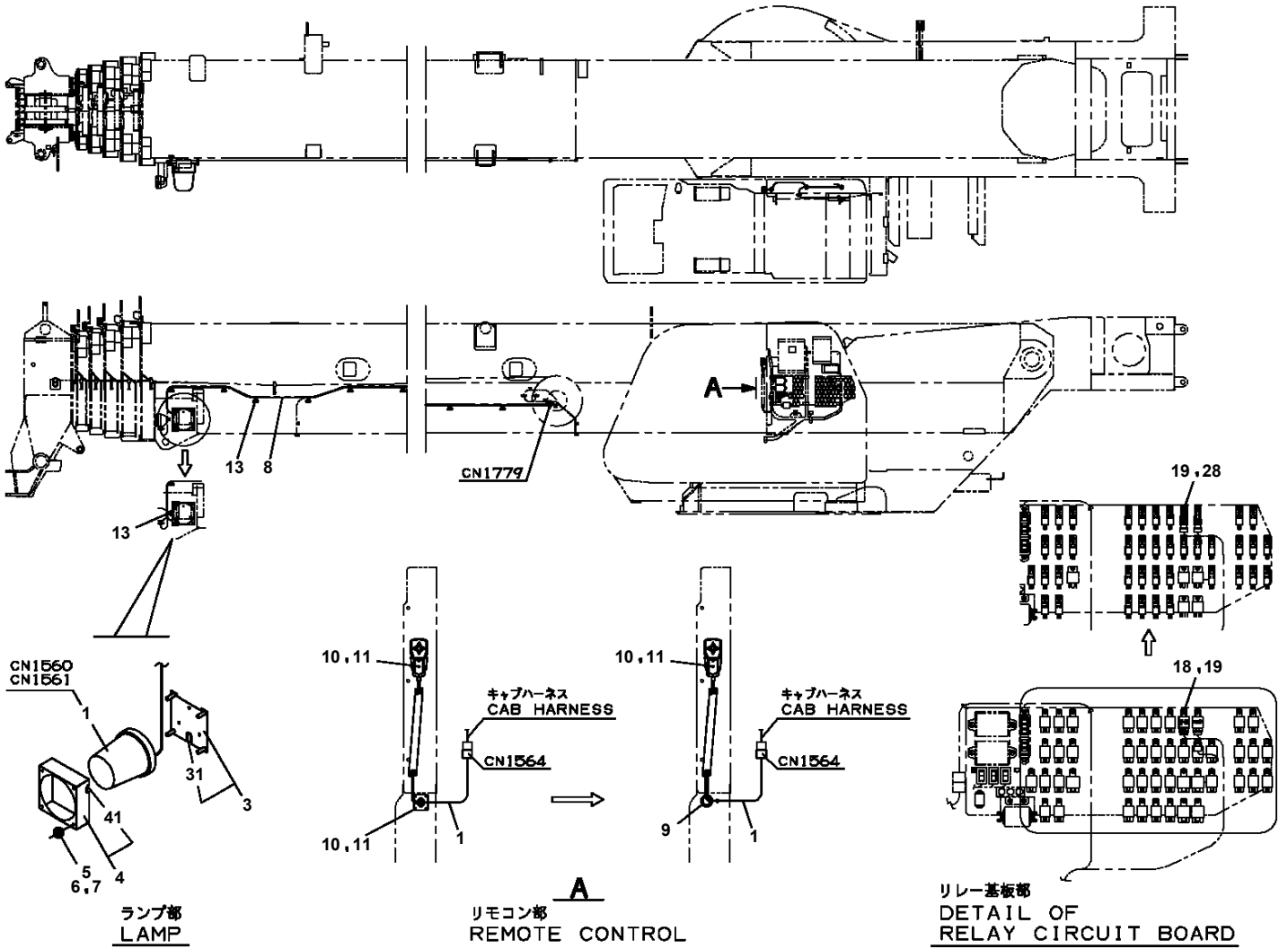
PD5360002-00 DUCT



GR-1450E-3-00101 6 BOOM + 2 JIB(FIX), 2M2D
PE5020454-00 ELEC.ASSY (JUT/SEARCH,ANEMOMETER,OBST LIGHT)



**GR-1450E-3-00101 6 BOOM + 2 JIB(FIX), 2M2D
PE5020669-01 ELEC.ASSY (SEARCH LIGHT)**



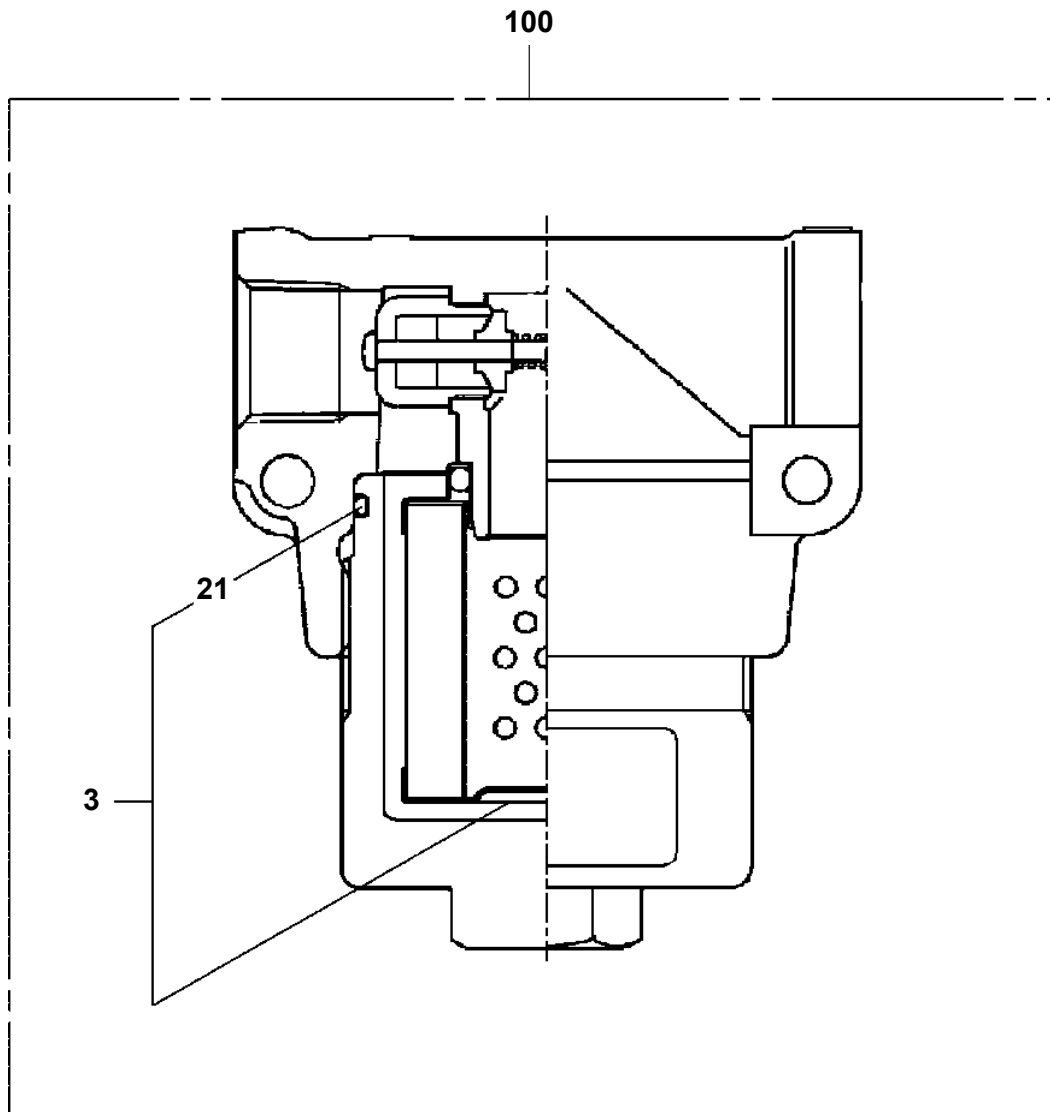
GR-1450E-3-00101 6 BOOM + 2 JIB(FIX), 2M2D

Pos No.	Parts No	Parts Name	Qty	Unit	Technical Data	Serial No (Start)	Serial No (End)
1	34355541110	HARNESS (CAB)	1				
2	34355541120	HARNESS (ESP)	1				
7	34354630100	SUPPORT	1				
9	91810130250	FASTENER	1				
10	36172830000	CONTROLLER (ICF,ASSY ONLY)	1				
11	82100002311	RELAY (FLASHER UNIT)	1				
12	82183901010	CONDENSER	4				
13	34430081100	RELAY ASSY (SHIKOKUKEISOKU)	1				
14	80172304020	SCREW,MACHINE	6		M4X20		
15	90302040401	WASHER,SPRING	6		4		
16	90303100401	WASHER,PLAIN	6		4		
17	34354751600	BUZZER	1				
18	80175304010	SCREW,MACHINE	2		M4X10		
19	80192484010	SCREW,MACHINE	2		M4X10		
21	90303290600	WASHER,PLAIN	12		6		
22	90280200600	NUT,FLANGE	11		M6		
23	99172106016	BOLT,TAPPING	25		M6X16		
24	42507124300	SWITCH ASSY (WITH HARNESS,1 SW)	1				
25	82100002019	CLAMP	5		WR40		
26	82100002017	CLAMP	4		WR30		
27	82100002016	CLAMP	3		WR25		
28	80176404012	SCREW,MACHINE	6		M4X12		
29	90305260401	WASHER	6		4		
30	80192486016	SCREW,MACHINE	4		M6X16		
32	34350850530	BUZZER ASSY (WITH HARNESS)	1				
33	90101208010	BOLT	6		M8X10		
34	90302040801	WASHER,SPRING	6		8		
35	36684240000	METER,COMBINATION (ASSY ONLY)	1				
37	82100002018	CLAMP	2		WR35		
38	82100002010	CLAMP	1		WR15		
39	34354341180	PLUG	2				
41	37000601600	CLAMP	3		WR54		

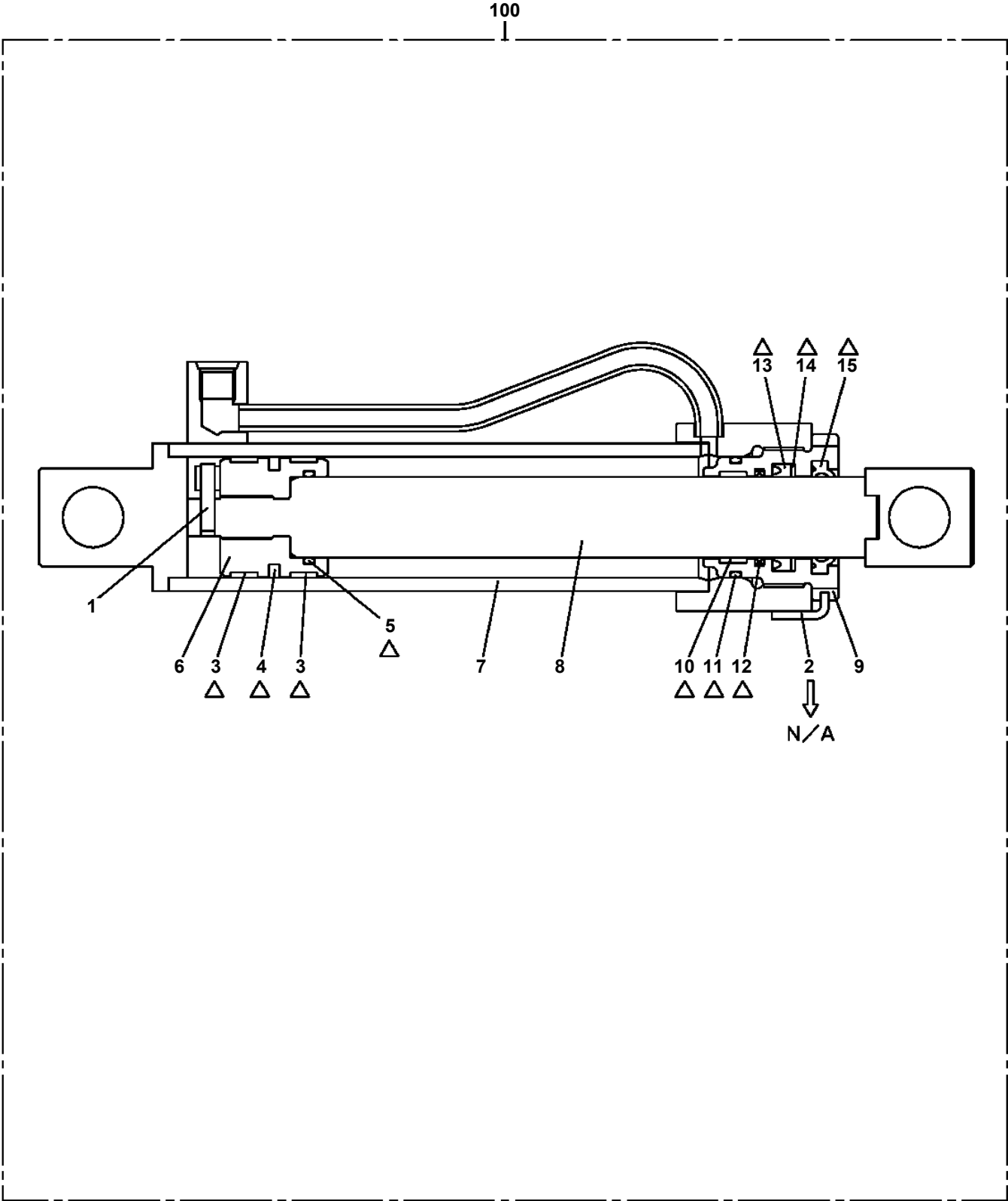
GR-1450E-3-00101 6 BOOM + 2 JIB(FIX), 2M2D

Pos No.	Parts No	Parts Name	Qty	Unit	Technical Data	Serial No (Start)	Se
1	(*****)	ACCESSORY LIST (ENGINE:MOUNTING PARTS)	1				
2	(*****)	ACCESSORY LIST (ENGINE:ELECTRICAL DEVICE)	1				
3	(*****)	ACCESSORY LIST (ENGINE:RADIATOR)	1				
100	36361700000	ENGINE ASSY (MITSUBISHI)	1				

GR-1450E-3-00101 6 BOOM + 2 JIB(FIX), 2M2D
PF5030011-02 FILTER ASSY (WATER)

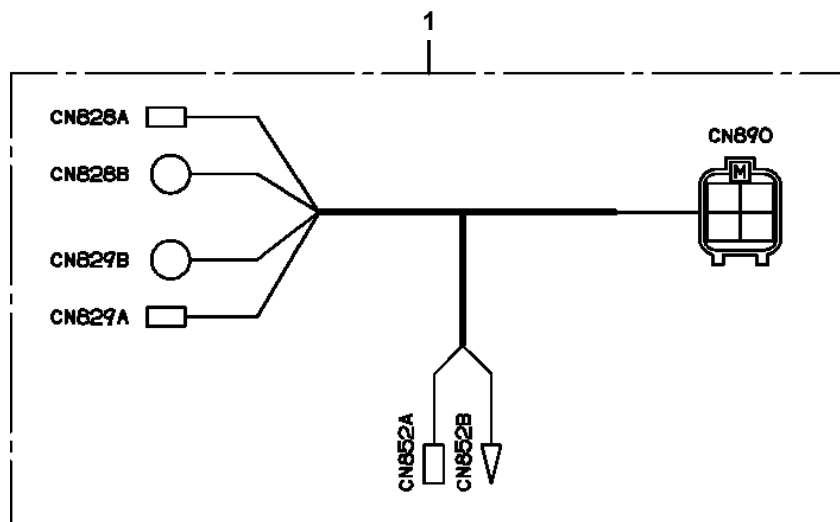


GR-1450E-3-00101 6 BOOM + 2 JIB(FIX), 2M2D
PG1080081-00 CYLINDER,JIB

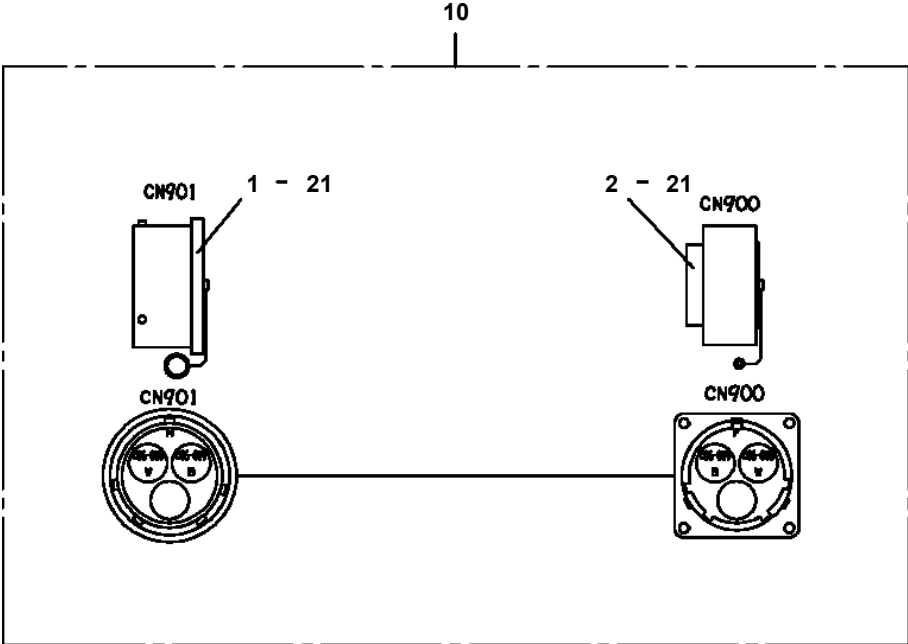


△:PACKING SET KEY NO.41 (KEY NO.3,4,5,10,11,12,13,14,15)

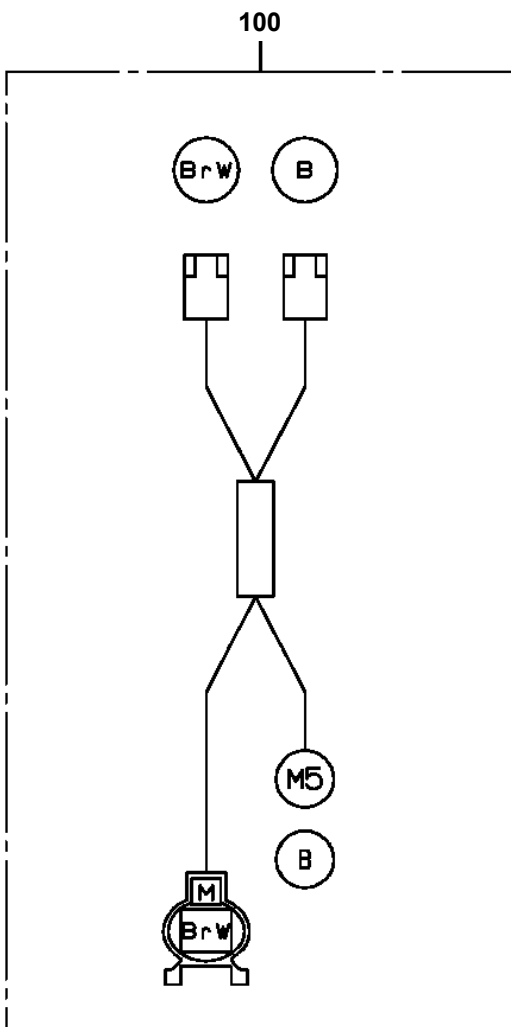
**GR-1450E-3-00101 6 BOOM + 2 JIB(FIX), 2M2D
PH5030490-00 HARNESS (LAMP ASSY,AML)**



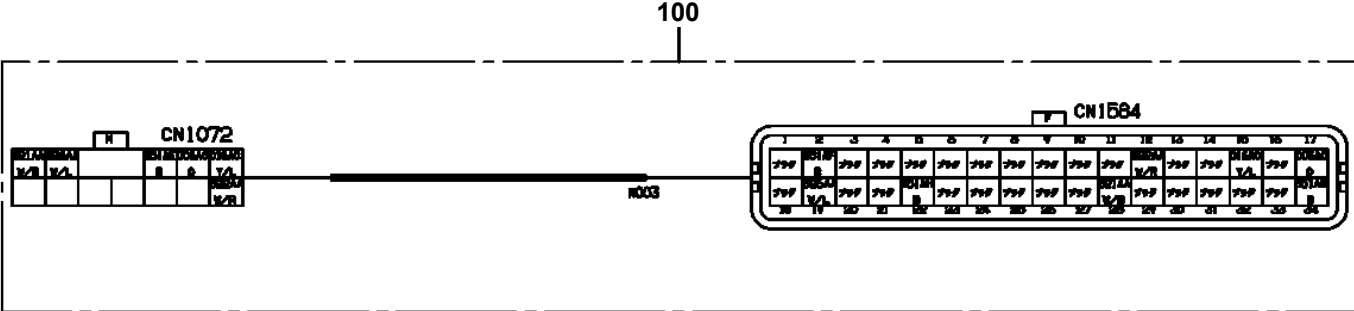
**GR-1450E-3-00101 6 BOOM + 2 JIB(FIX), 2M2D
PH5030612-01 HARNESS (SINGLETOP)**



**GR-1450E-3-00101 6 BOOM + 2 JIB(FIX), 2M2D
PH5031282-00 HARNESS**

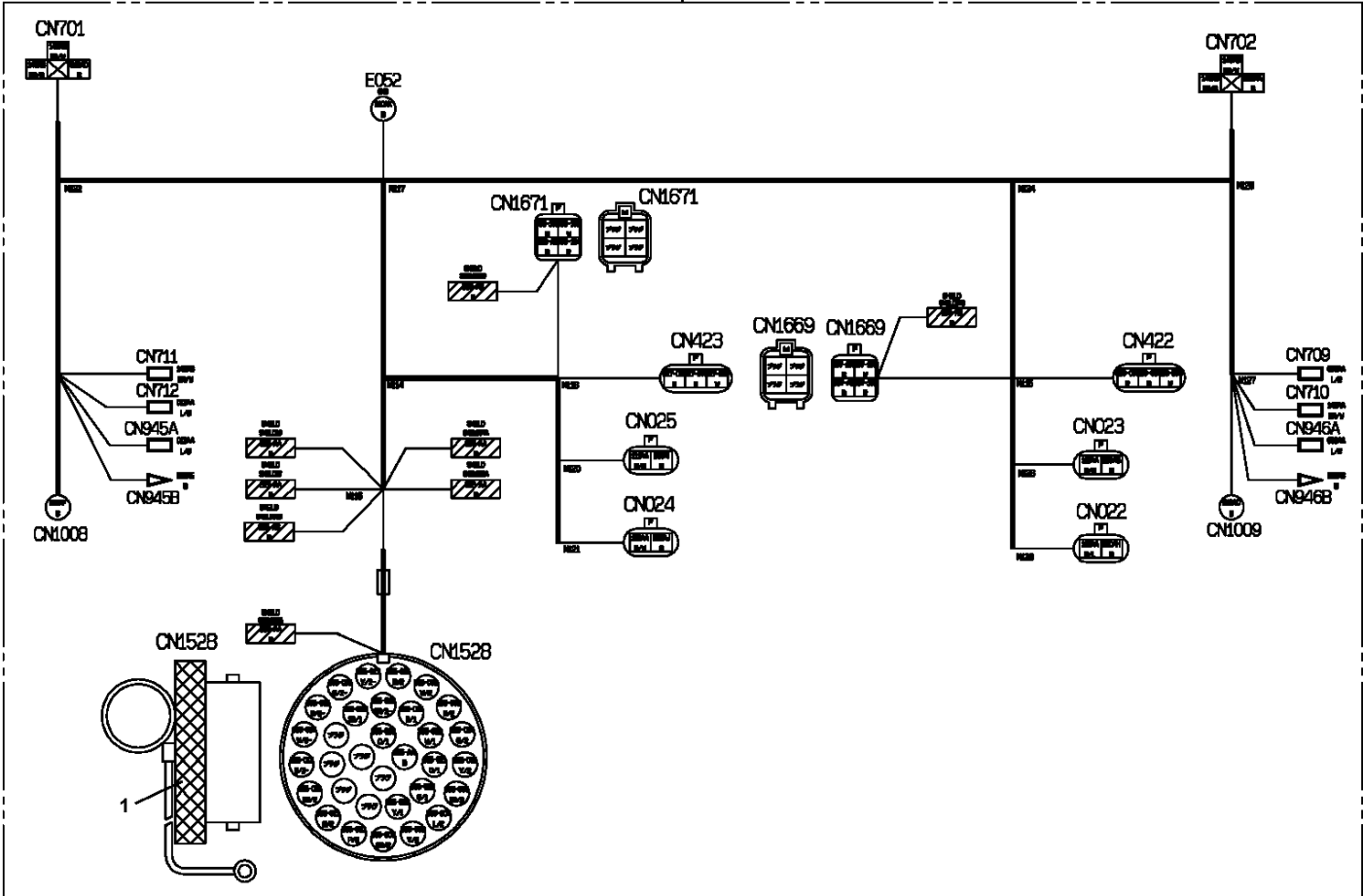


**GR-1450E-3-00101 6 BOOM + 2 JIB(FIX), 2M2D
PH5031897-00 HARNESS (GSMT)**

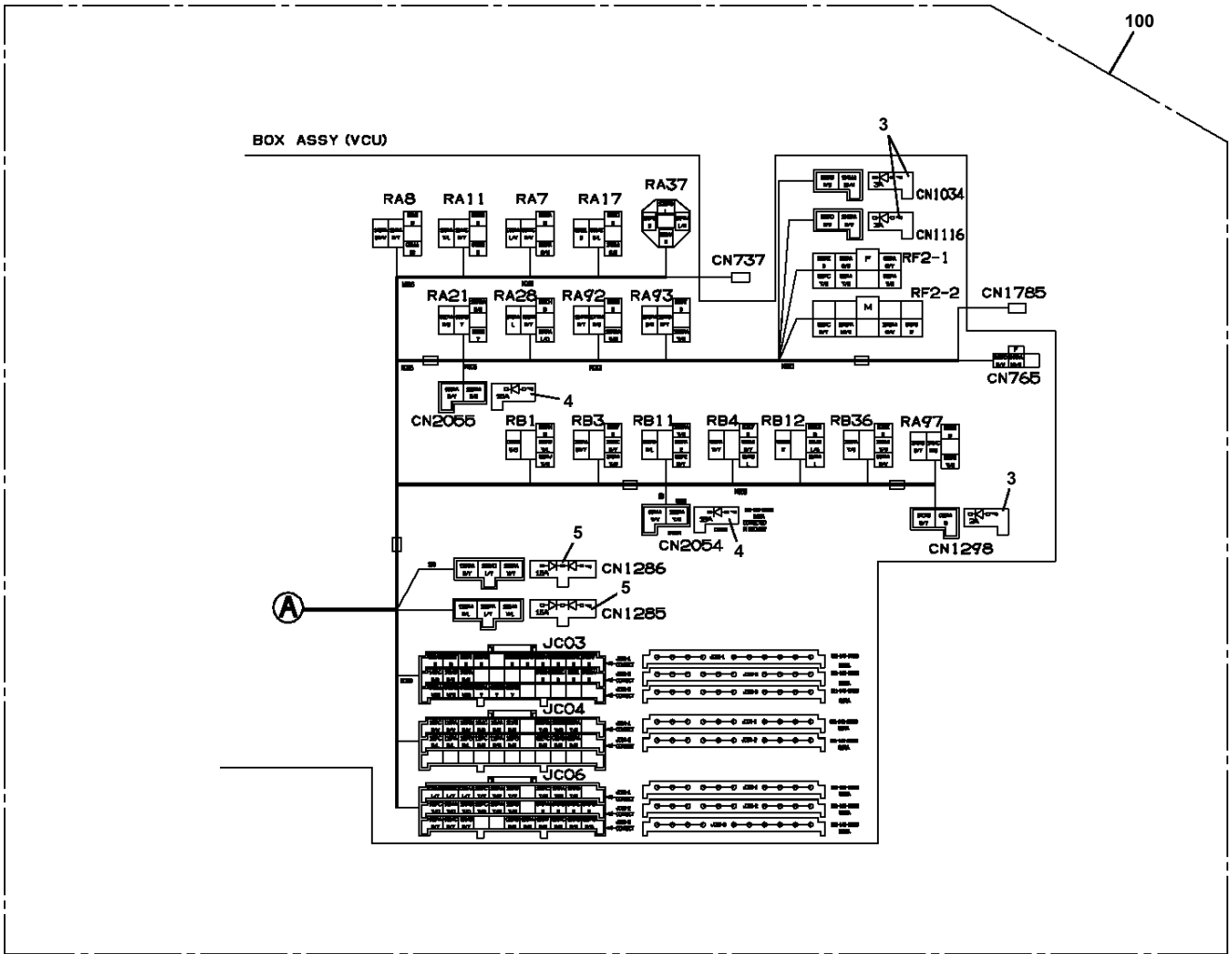


**GR-1450E-3-00101 6 BOOM + 2 JIB(FIX), 2M2D
PH5032594-00 HARNESS (OUTRIGGER,FRONT)**

100



GR-1450E-3-00101 6 BOOM + 2 JIB(FIX), 2M2D
PH5032609-01 HARNESS (LOWER,MAIN)



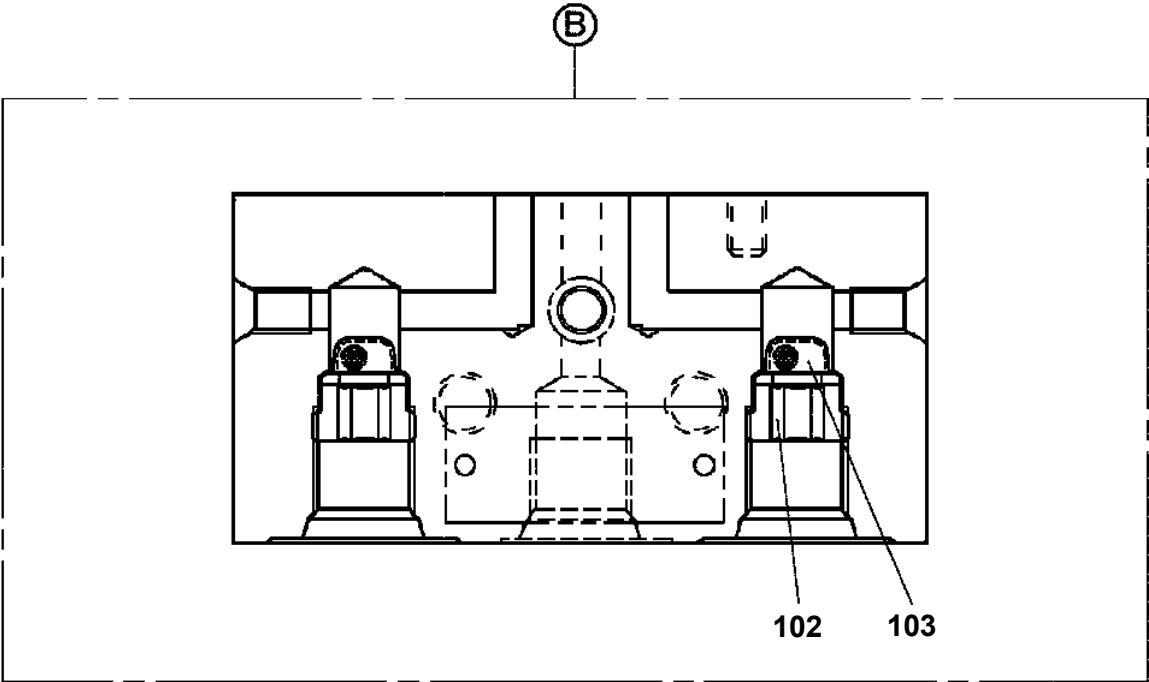
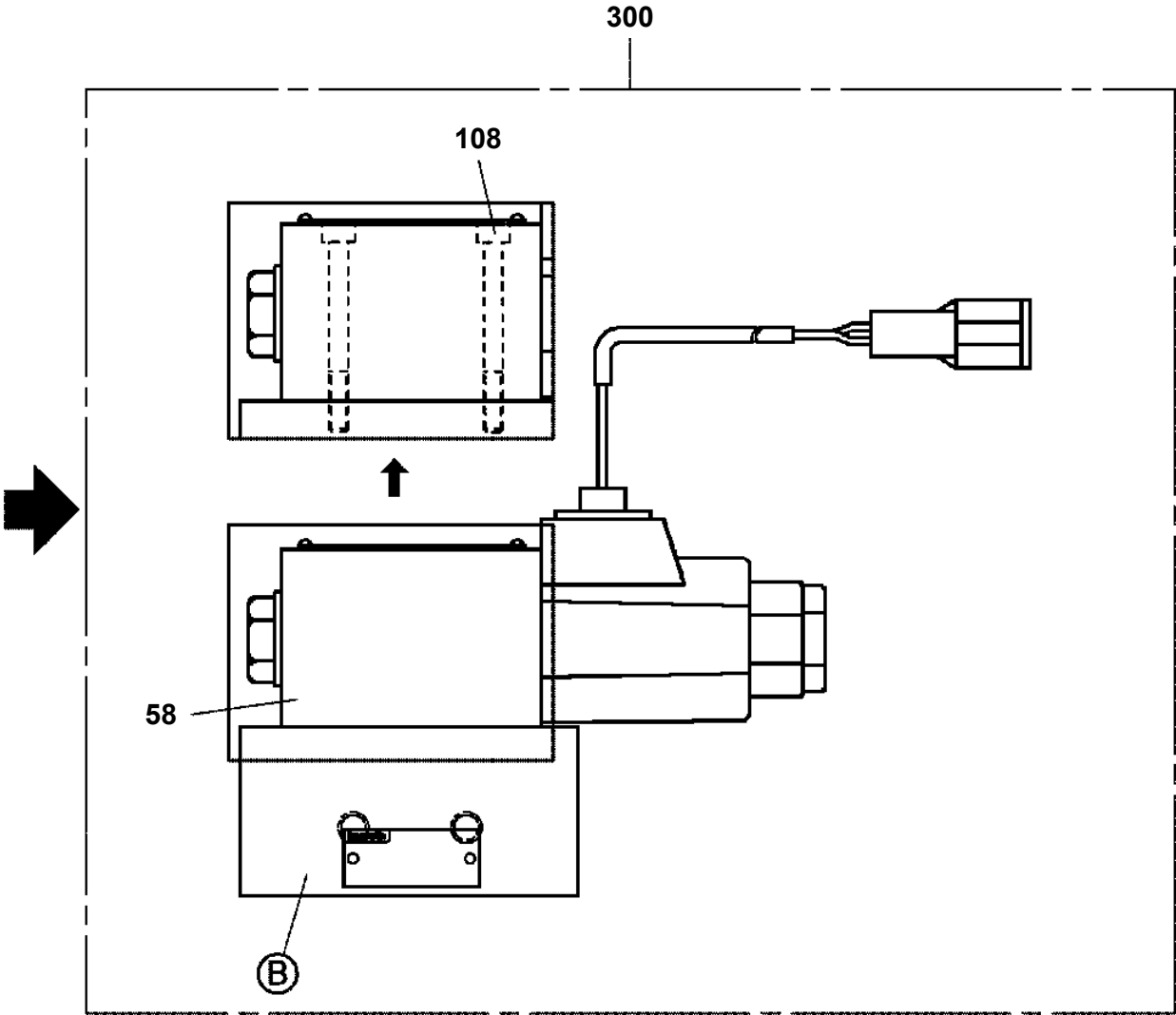
GR-1450E-3-00101 6 BOOM + 2 JIB(FIX), 2M2D

Pos No.	Parts No	Parts Name	Qty	Unit	Technical Data	Serial No (Start)	Serial No (End)	Remarks
1	99707786923	HOOK ASSY	1					
11	37002233780	PLATE,NAME (7200KG)	1					
12	14137207000	PLATE,NAME (GREASE)	1					

GR-1450E-3-00101 6 BOOM + 2 JIB(FIX), 2M2D

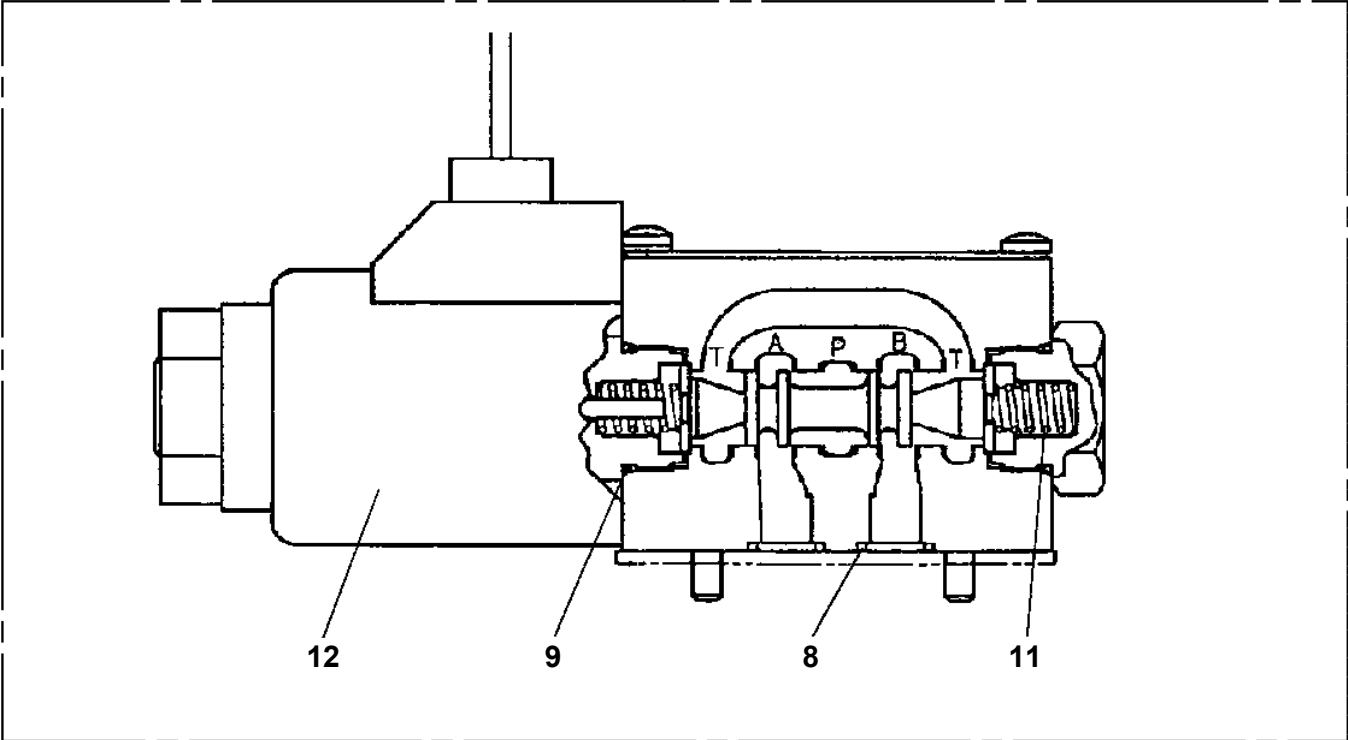
Pos No.	Parts No	Parts Name	Qty	Unit	Technical Data	Serial No (Start)	Serial No (End)	Remarks
1	36663835010	PISTON ASSY	1					
4	36663595020	COVER ASSY (VALVE)	1					
7	36663595030	SHAFT,DRIVING	1					
8	36663595040	SPACER	3					
9	36663595050	CYLINDER	1					
10	36663595060	RETAINER	1					
11	36663595070	SPRING	1					
12	36663595080	ROD,PUSH	12					
13	36663595090	SPACER	1					
14	36663595100	SPACER	1					
15	36663595110	PLATE SET	1					
16	36663595120	PLATE (SHOE)	1					
17	36663595130	PLATE (VALVE)	1					
18	36663595140	CASING	1					
19	36663595150	COVER (FRONT)	1					
22	90131920045	BOLT,HEXAGON SOCKET	4		M20X45			
23	80601110450	RING,RITAINING	2		S45			
24	80601110250	RING,RITAINING	1		S25			
25	80602111000	RING,RITAINING	1		R100			
26	80602110580	RING,RITAINING	1		R58			
27	36663595160	BEARING,ROLLER	1					
28	36663595170	BEARING,ROLLER	1					
29	36646965020	PLUG	1					
30	91002910000	O-RING	1		1B G100			
31	36663595180	O-RING	1					
32	91002801100	O-RING	1		1B P11			
33	36663595190	SEAL,OIL	1					
34	36663595200	PISTON (BRAKE)	1					
35	36663315180	O-RING	1					
36	36663595210	O-RING	1					
37	36663595220	SPRING (BRAKE)	12					
38	36663595230	PLATE (FRICTION)	3					
39	36663595240	PLATE (SEPARATOR)	4					
51	36663595250	SEAL KIT	1					
100	36663590000	MOTOR,HYDRAULIC	1					

GR-1450E-3-00101 6 BOOM + 2 JIB(FIX), 2M2D
PI1120138-04 VALVE,SOLENOID

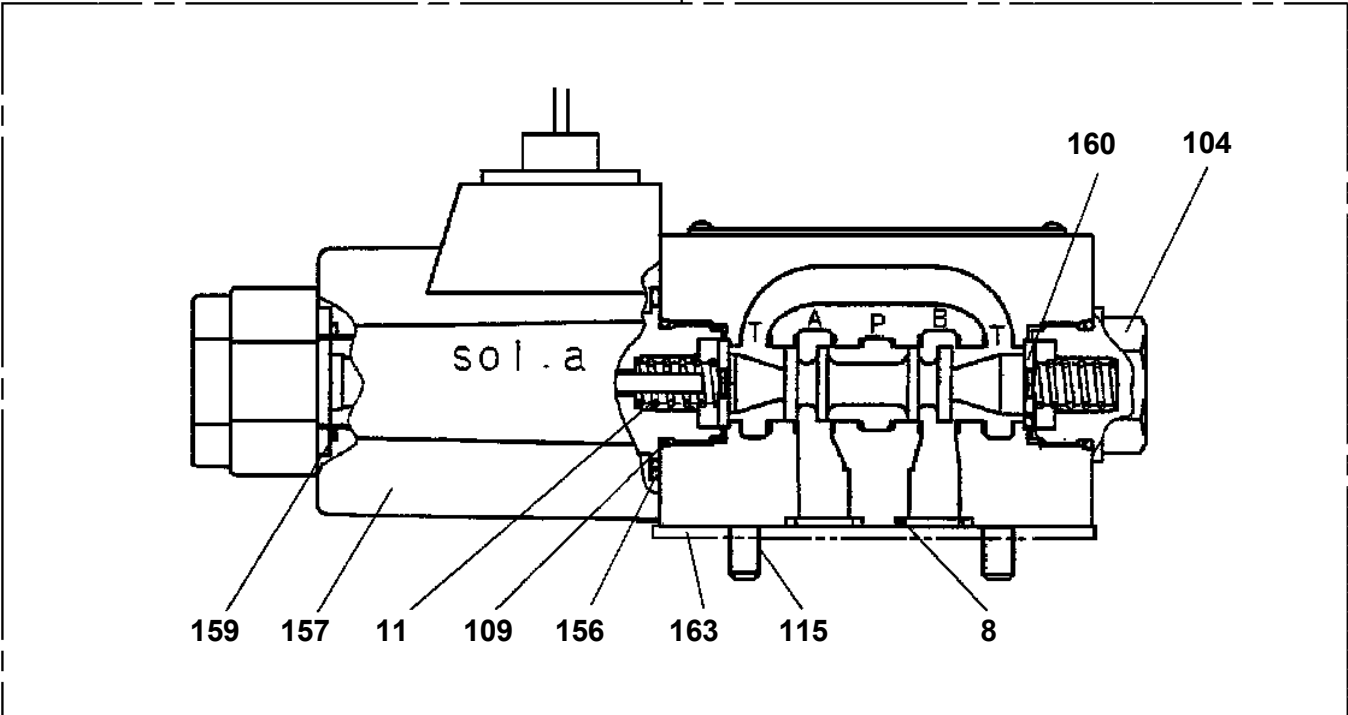


GR-1450E-3-00101 6 BOOM + 2 JIB(FIX), 2M2D
PI1120265-01 VALVE,SOLENOID

200

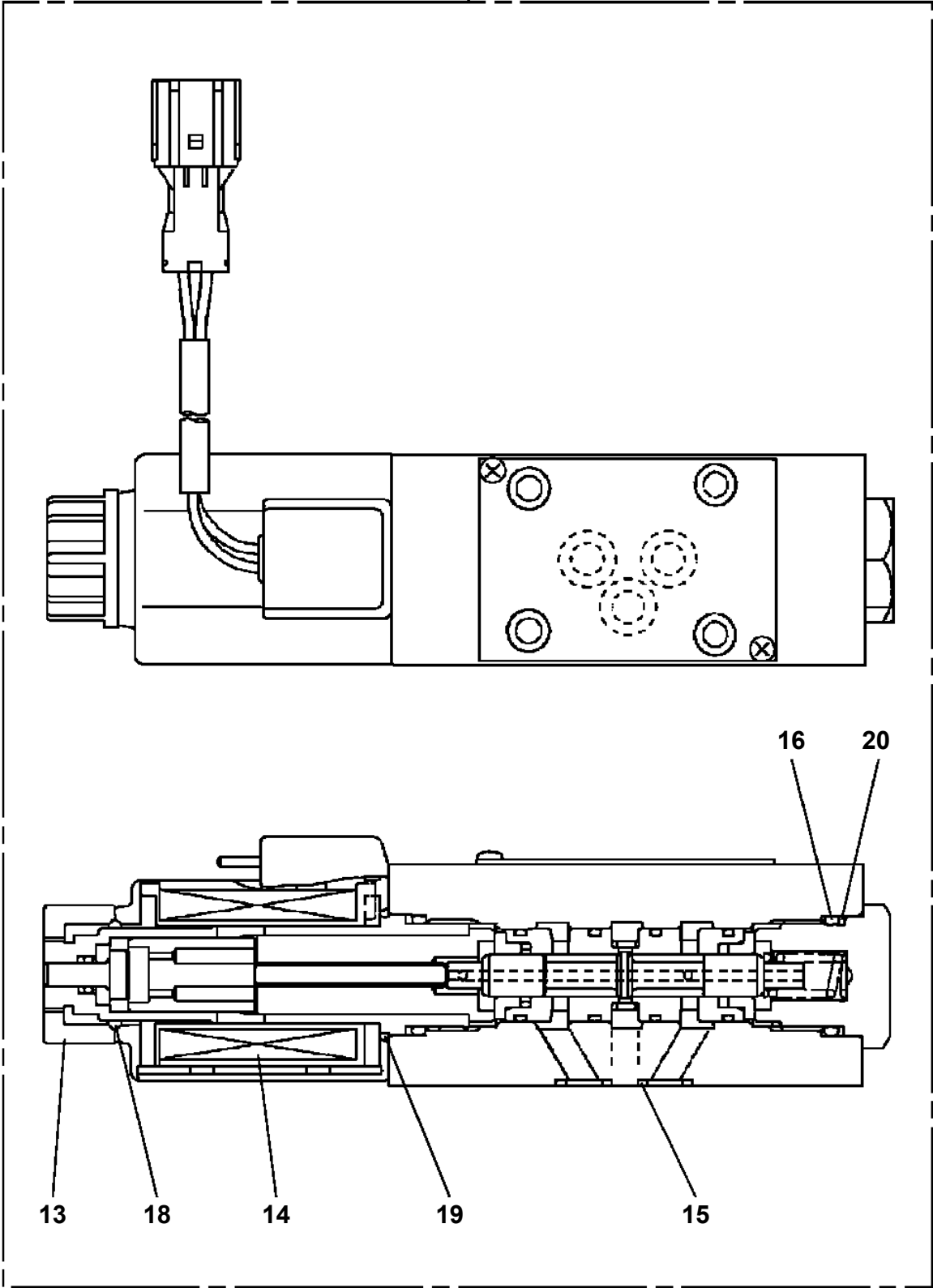


200



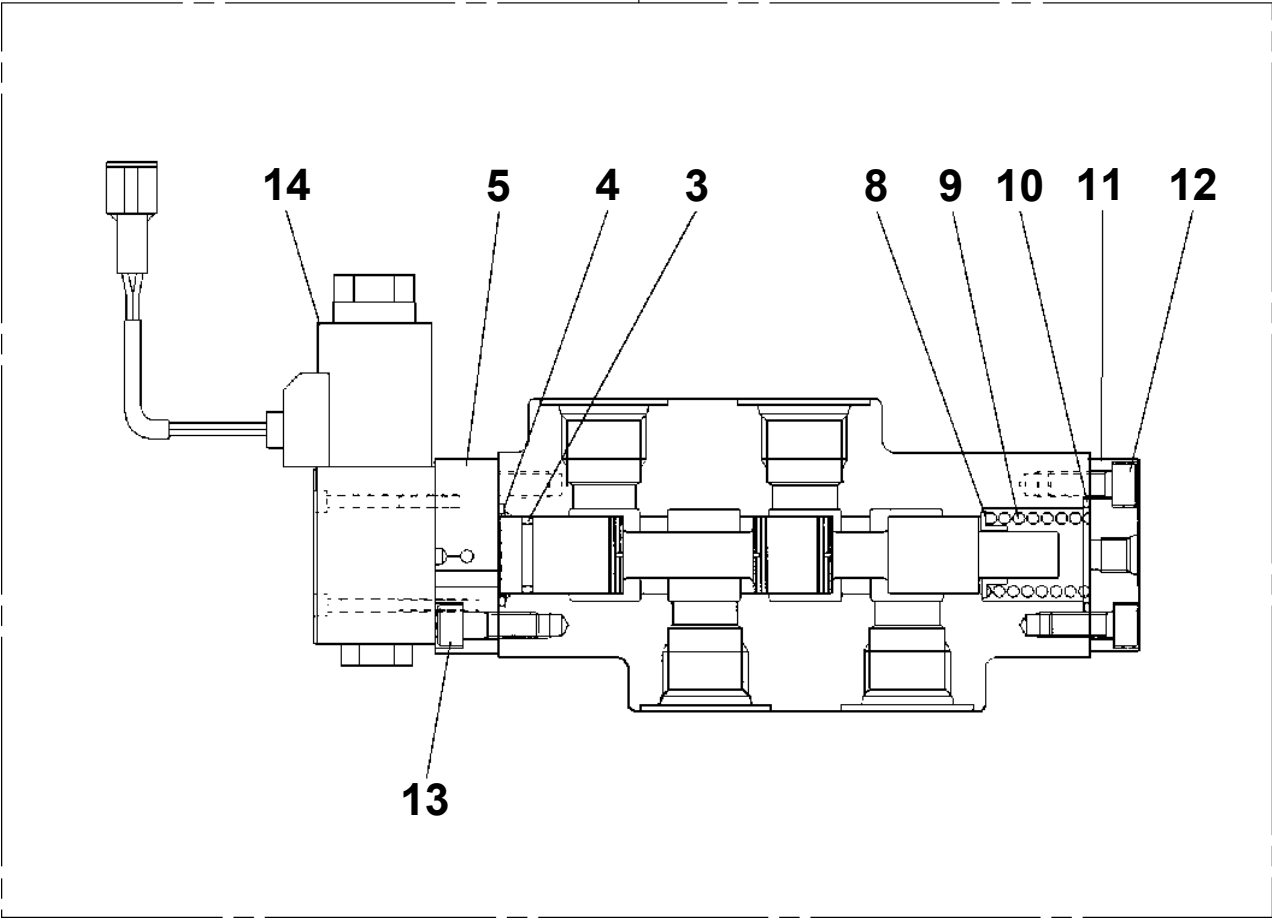
**GR-1450E-3-00101 6 BOOM + 2 JIB(FIX), 2M2D
PI1120327-00 VALVE,SOLENOID**

100

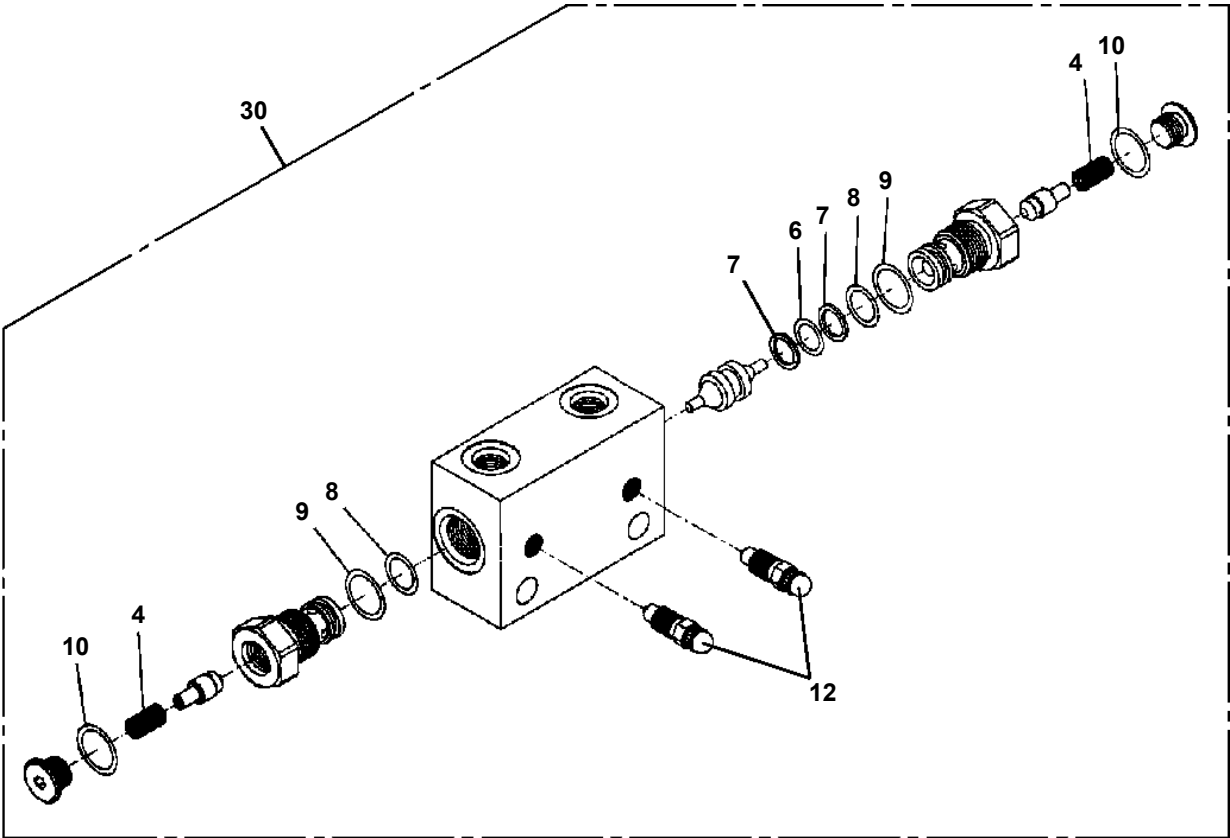


**GR-1450E-3-00101 6 BOOM + 2 JIB(FIX), 2M2D
PI1130038-00 VALVE, HYDRAULIC**

30

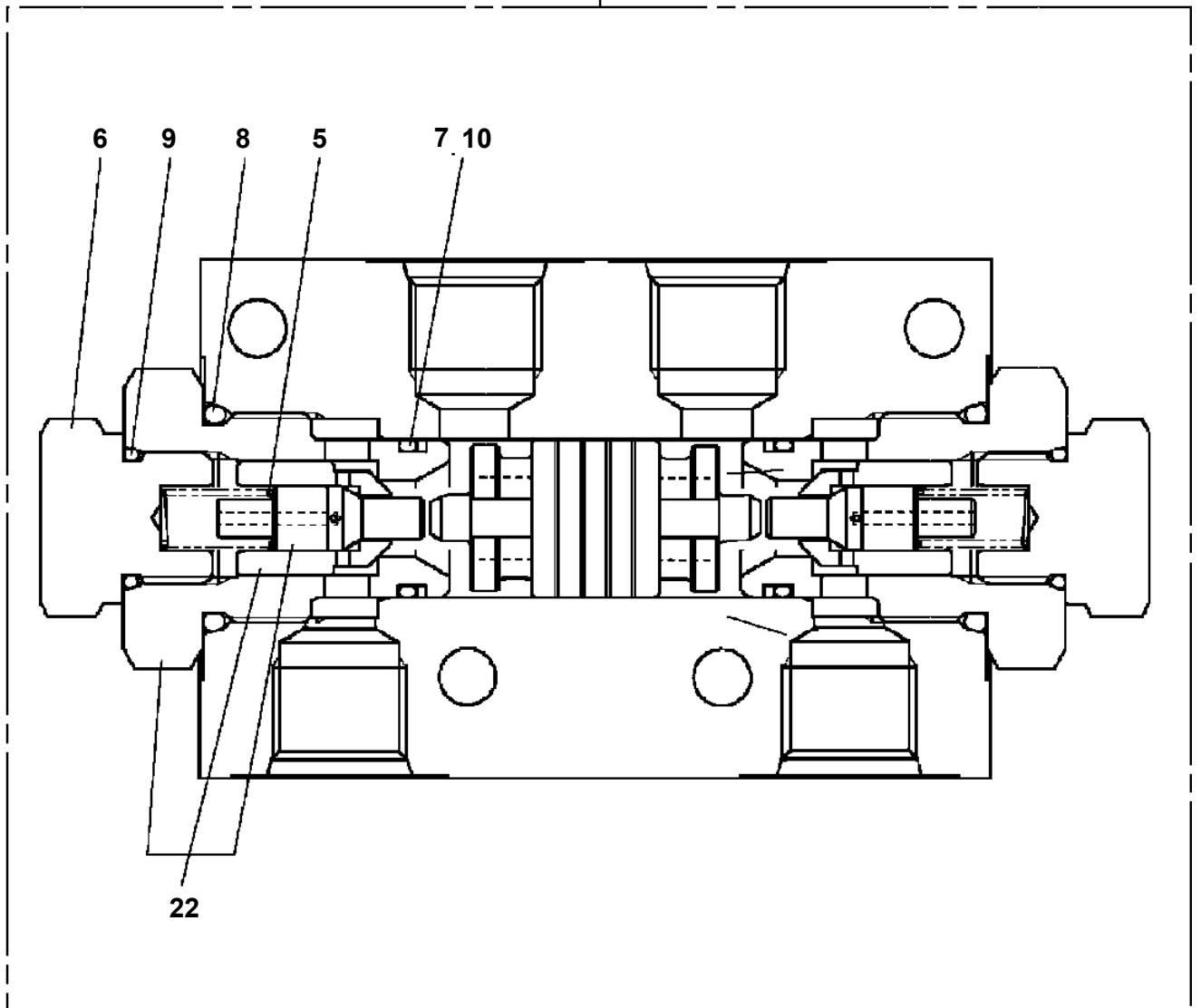


**GR-1450E-3-00101 6 BOOM + 2 JIB(FIX), 2M2D
PI1140108-02 VALVE,CHECK**

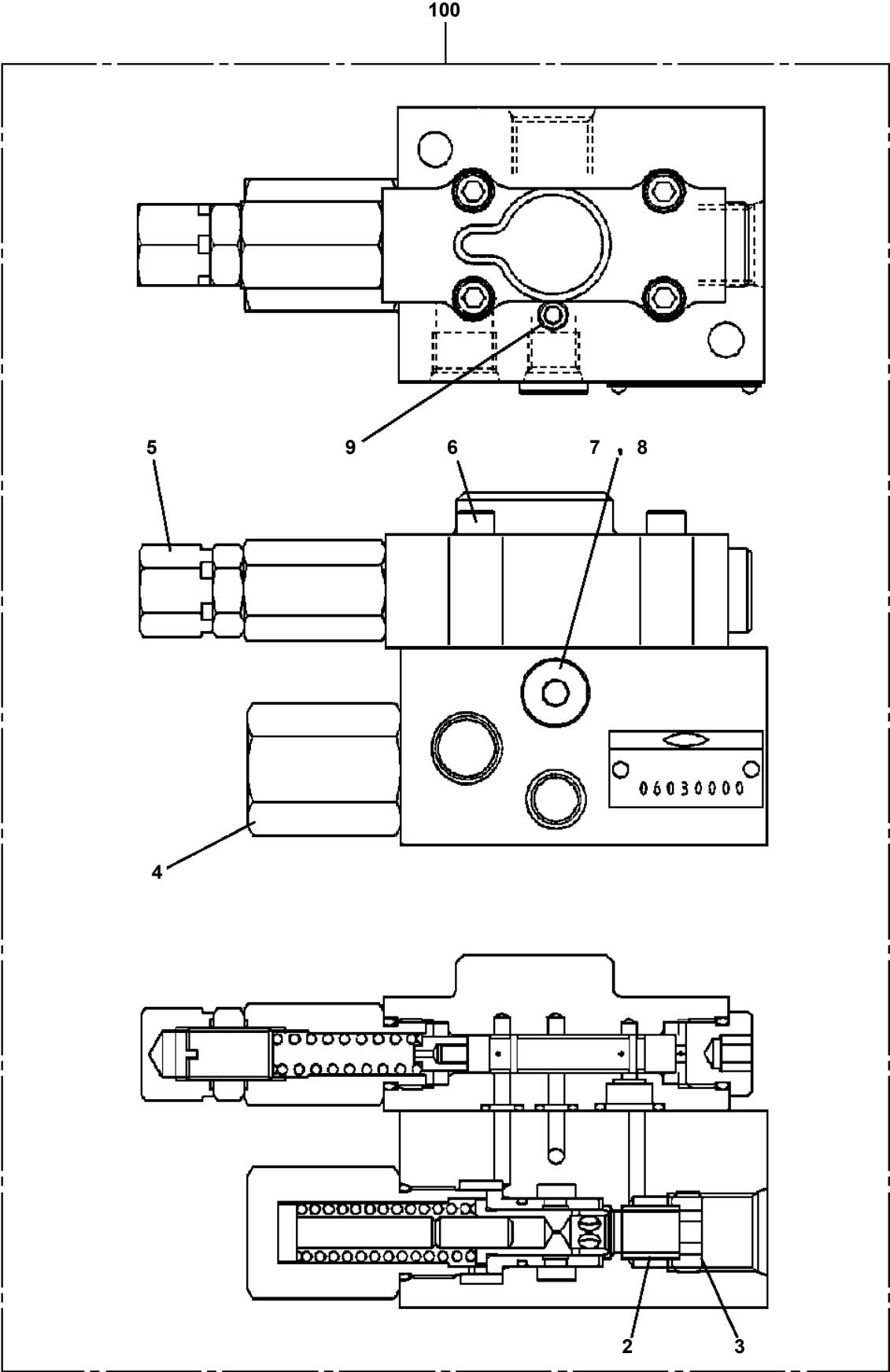


GR-1450E-3-00101 6 BOOM + 2 JIB(FIX), 2M2D
PI1140173-01 VALVE,CHECK

50



GR-1450E-3-00101 6 BOOM + 2 JIB(FIX), 2M2D
PI1270012-01 VALVE,SEQUENCE



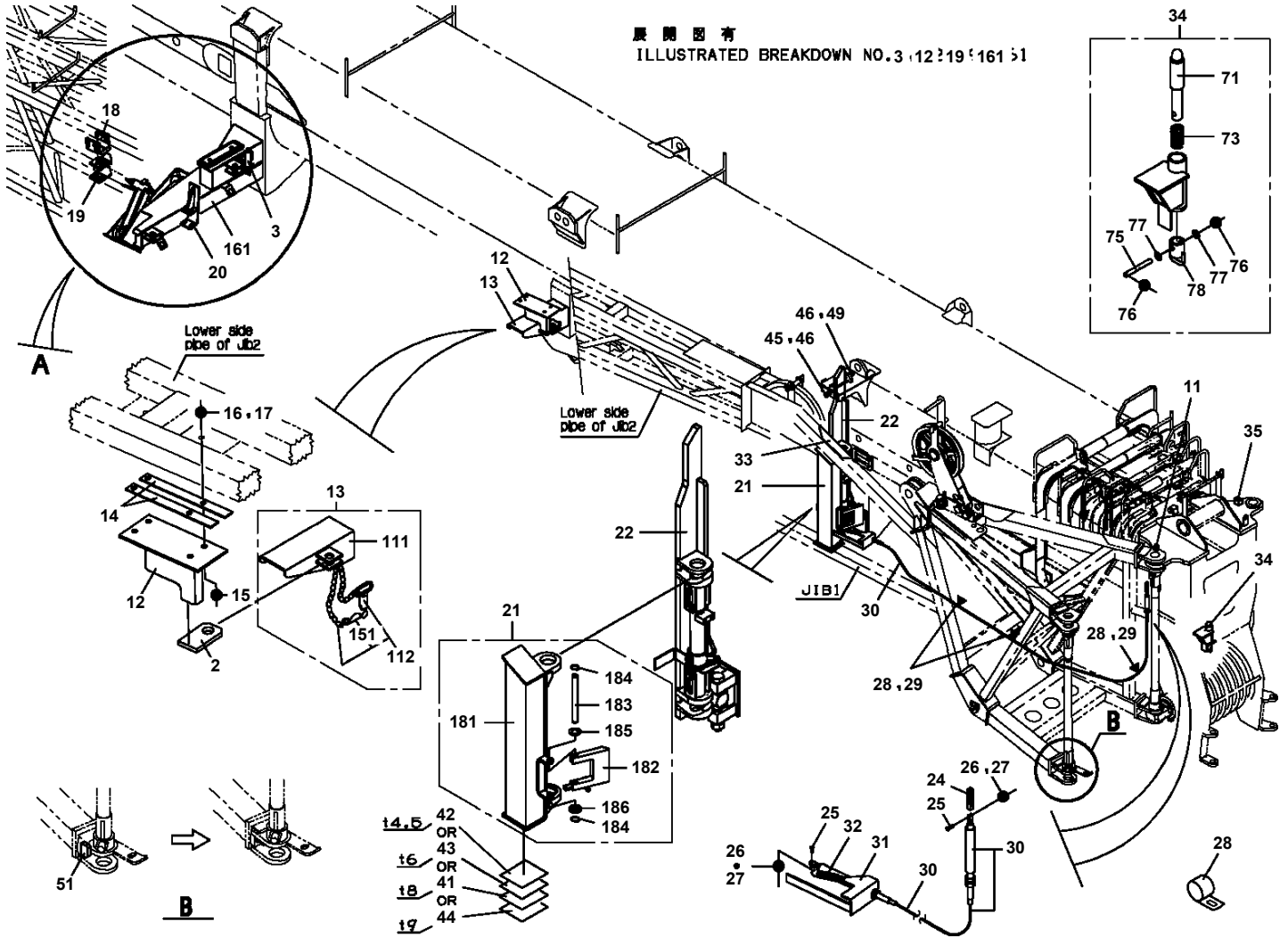
展開圖有
ILLUSTRATED BREAKDOWN NO.4,5

GR-1450E-3-00101 6 BOOM + 2 JIB(FIX), 2M2D

Pos No.	Parts No	Parts Name	Qty	Unit	Technical Data	Serial No (Start)	Serial No (End)	Remarks	Pages
1	34490461101	PLATE	3		T=3.2				
2	90191208035	BOLT	12		M8X35				
3	90302040801	WASHER,SPRING	12		8				
4	34353293201	SUPPORT	1						
7	90186210014	BOLT,FLANGE	2		M10X14				
8	37000308440	SPACER	12		L=20				
9	82108503280	SWITCH	1						

**GR-1450E-3-00101 6 BOOM + 2 JIB(FIX), 2M2D
PJ5050024-02 JIB ASSY (ATTACHMENT)**

展開図有
ILLUSTRATED BREAKDOWN NO.3.12.19.161.1



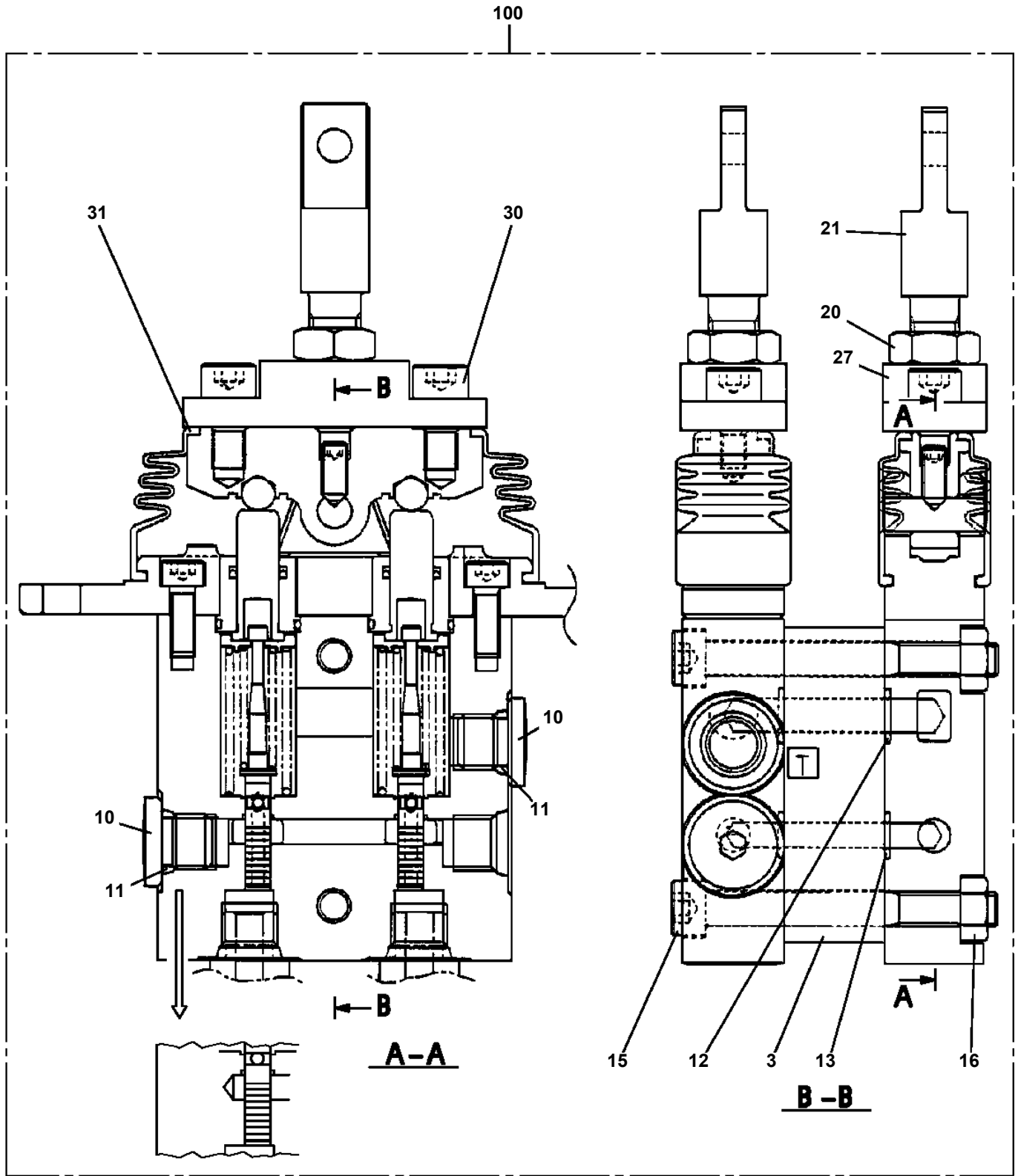
GR-1450E-3-00101 6 BOOM + 2 JIB(FIX), 2M2D

Pos No.	Parts No	Parts Name	Qty	Unit	Technical Data	Serial No (Start)	Serial No
1	34222329510	JIB ASSY (INSERT,JIB)	2				
3	(*****)	PIN ASSY	2				
9	(*****)	NAME PLATE ASSY	1				
10	(*****)	MOUNT ASSY (SUSPENDING RING FOR JIB)	1				

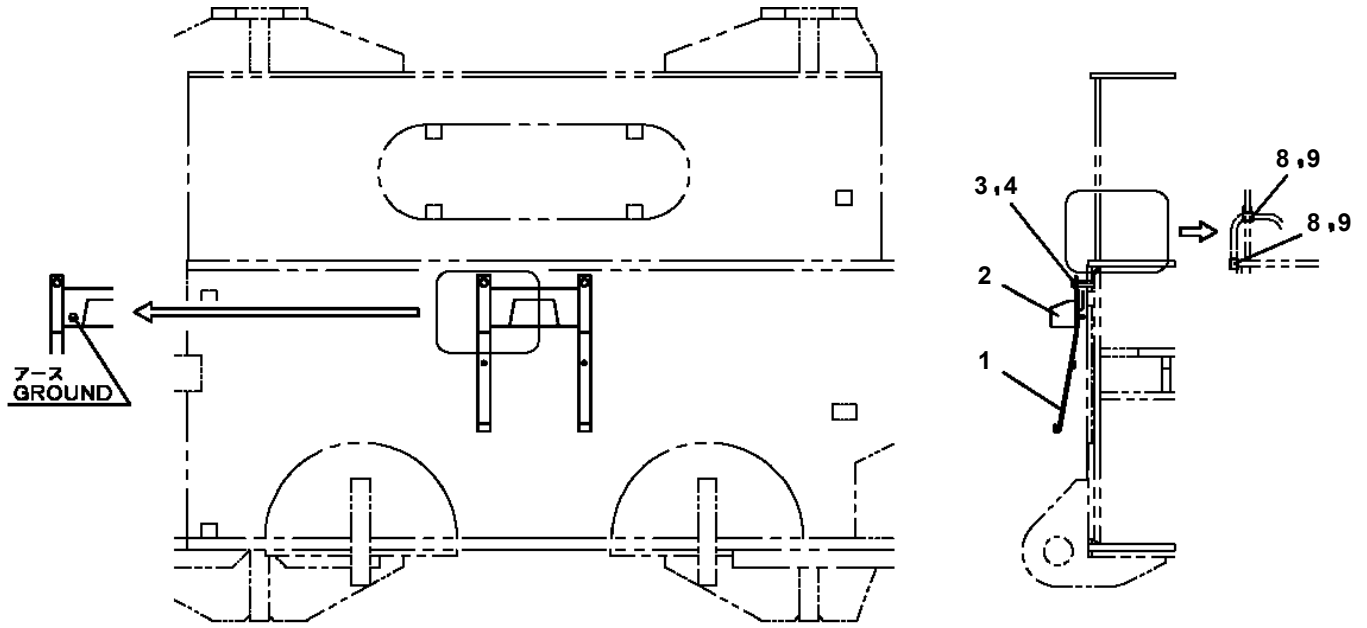
GR-1450E-3-00101 6 BOOM + 2 JIB(FIX), 2M2D

Pos No.	Parts No	Parts Name	Qty	Unit	Technical Data	Serial No (Start)	Serial No (End)	Remarks	Pages
1	34641555201	JOINT	1						
2	36620190000	VALVE,CHECK	2						
3	34641555300	FITTING,FLANGE	1						
4	90302041001	WASHER,SPRING	6		10				
5	90101210025	BOLT	6		M10X25				
6	37004000010	SWITCH,THERMO	1		50C				
7	91702000080	SEAL,WASHER	2						
8	90101208020	BOLT	2		M8X20				
9	91002905500	O-RING	2		1B G55				
100	34641555101	JOINT ASSY	1						

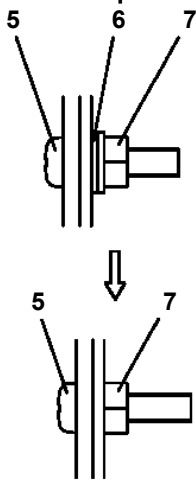
GR-1450E-3-00101 6 BOOM + 2 JIB(FIX), 2M2D
PL1250031-01 VALVE,CONTROL



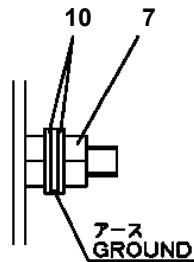
**GR-1450E-3-00101 6 BOOM + 2 JIB(FIX), 2M2D
PL5090002-01 LAMP ASSY,LICENSE**



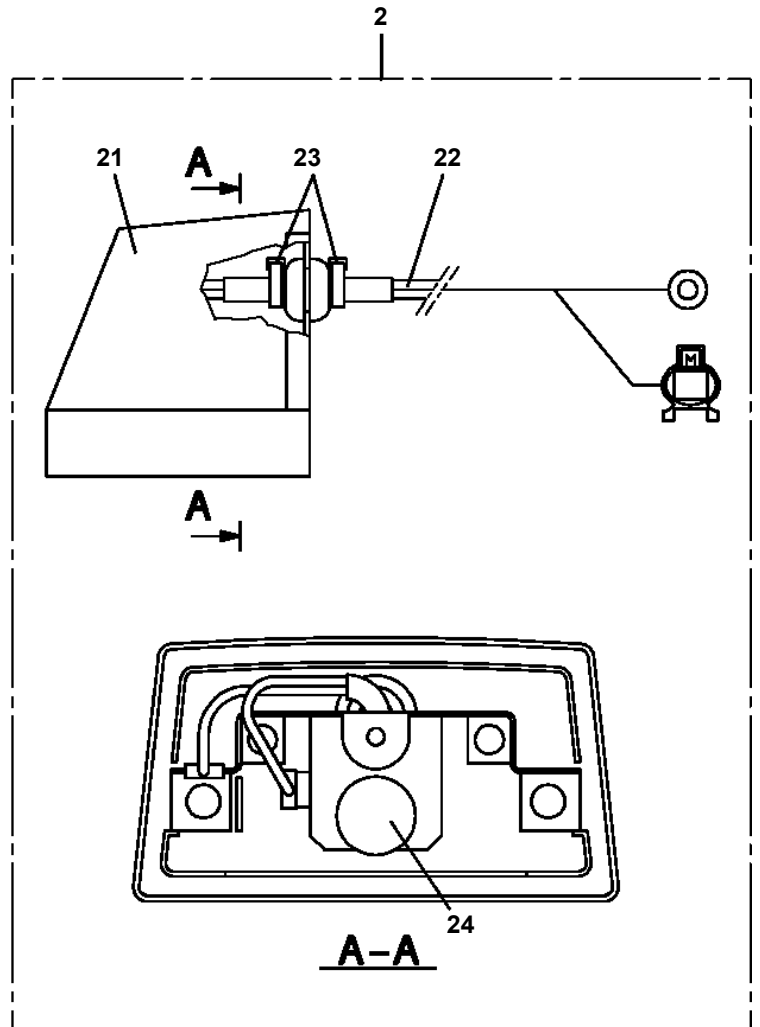
アース側のみ
GROUND SIDE ONLY



ランプ取付詳細
SMOOTH FINISHING AT
AREA MARKED WITH LAMP

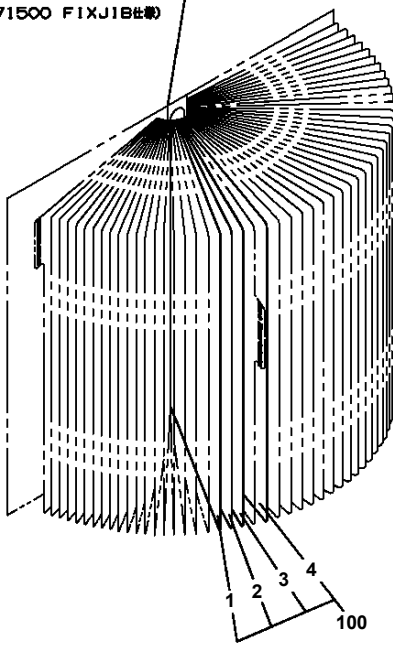


アース取付詳細
SMOOTH FINISHING AT
AREA MARKED WITH GROUND

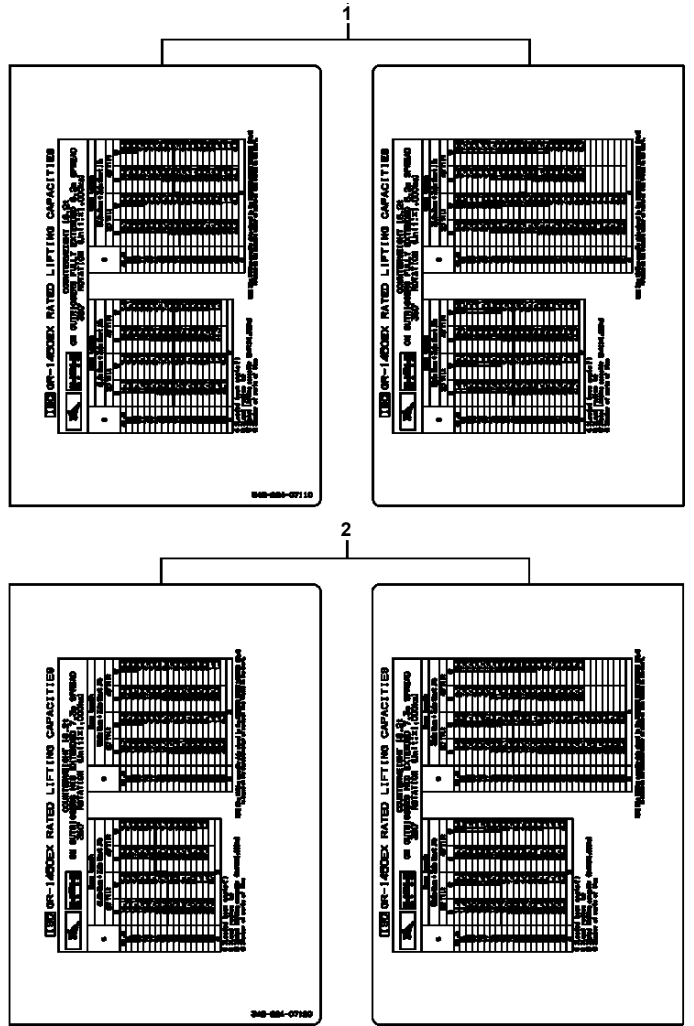


**GR-1450E-3-00101 6 BOOM + 2 JIB(FIX), 2M2D
 PL5260296-00 LOAD CHART BOOKLET (C/W 18T,SHORT JIB)**

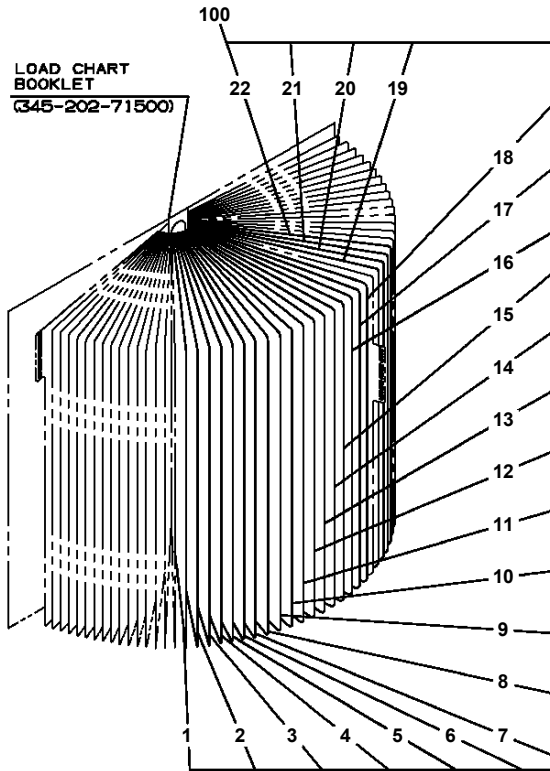
LOAD CHART
 BOOKLET
 (343-202-81500 PTJIB仕様)
 (345-202-71500 FIXJIB仕様)



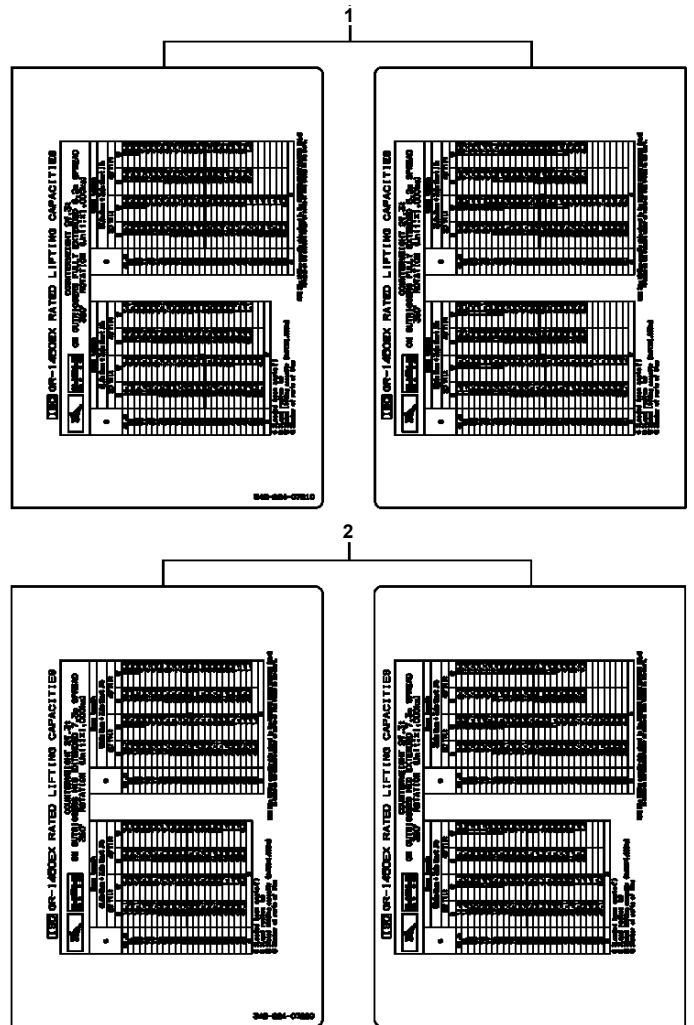
1~4冊は【部品リスト】より選択してください。
 FOR 1-4, SEE THE CORRESPONDING
 "PARTS LIST."



**GR-1450E-3-00101 6 BOOM + 2 JIB(FIX), 2M2D
 PL5260300-00 LOAD CHART BOOKLET (C/W 29T,SHORT JIB+INSERT JIB)**



1~22材は【部品リスト】より選択してください。
 FOR 1-22, SEE THE CORRESPONDING
 "PARTS LIST."

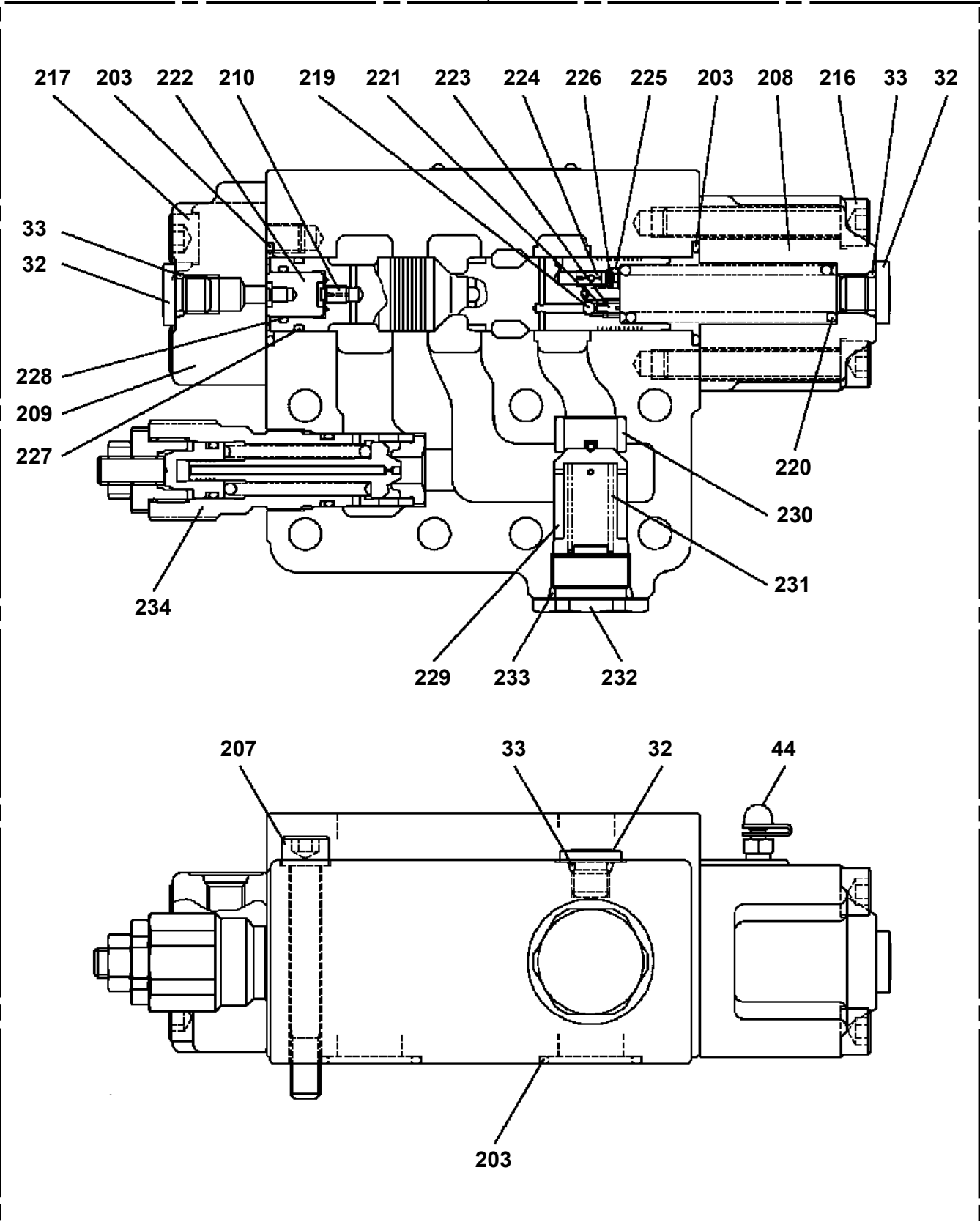


GR-1450E-3-00101 6 BOOM + 2 JIB(FIX), 2M2D

Pos No.	Parts No	Parts Name	Qty	Unit	Technical Data	Serial No (Start)	Serial No (End)	Remarks	Pages
1	82400000464	MIRROR	1						
2	34494720101	SUPPORT	1						
3	90101208020	BOLT	2		M8X20				
4	90302040801	WASHER,SPRING	4		8				
5	34494582000	SUPPORT	1						
6	90101208025	BOLT	2		M8X25				
7	90303070801	WASHER,PLAIN	2		8				
8	82400000466	MIRROR	1						

GR-1450E-3-00101 6 BOOM + 2 JIB(FIX), 2M2D
PM5210004-00 MOTOR ASSY,OIL (WINCH)

700



CLICK HERE TO **DOWNLOAD** THE COMPLETE MANUAL

- Thank you very much for reading the preview of the manual.
- You can download the complete manual from: www.heydownloads.com by clicking the link below



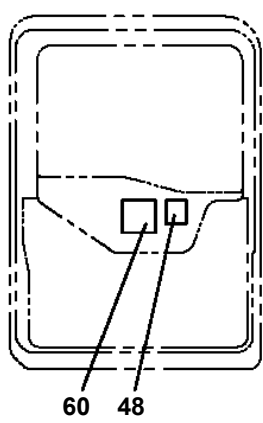
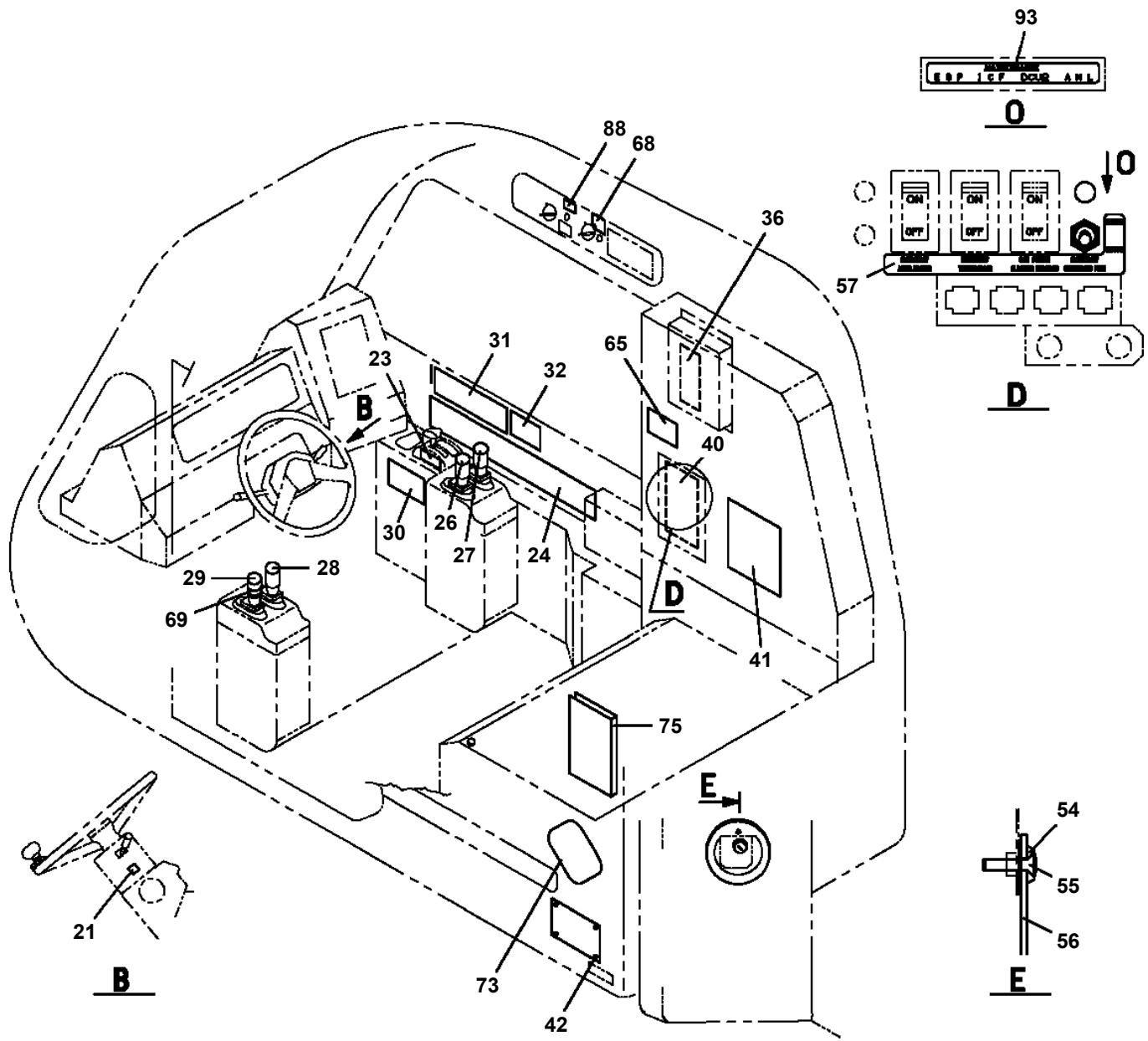
- Please note: If there is no response to CLICKING the link, please download this PDF first and then click on it.

CLICK HERE TO **DOWNLOAD** THE COMPLETE MANUAL

GR-1450E-3-00101 6 BOOM + 2 JIB(FIX), 2M2D

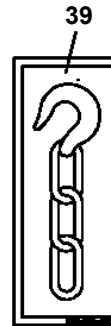
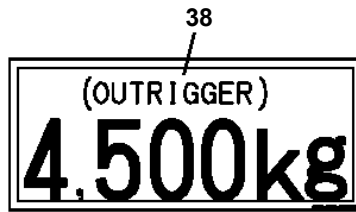
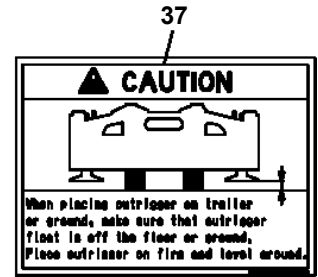
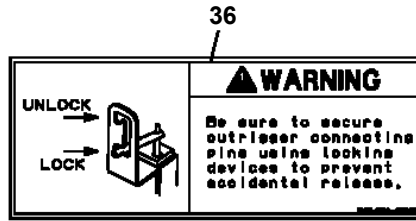
Pos No.	Parts No	Parts Name	Qty	Unit	Technical Data	Serial No (Start)	Serial No (End)
1	82100002827	BATTERY (GLOBAL & YUASA,130F51)	1				

**GR-1450E-3-00101 6 BOOM + 2 JIB(FIX), 2M2D
PN5011357-01 NAME PLATE ASSY (UPPER)**



ドア内側
DOOR INSIDE

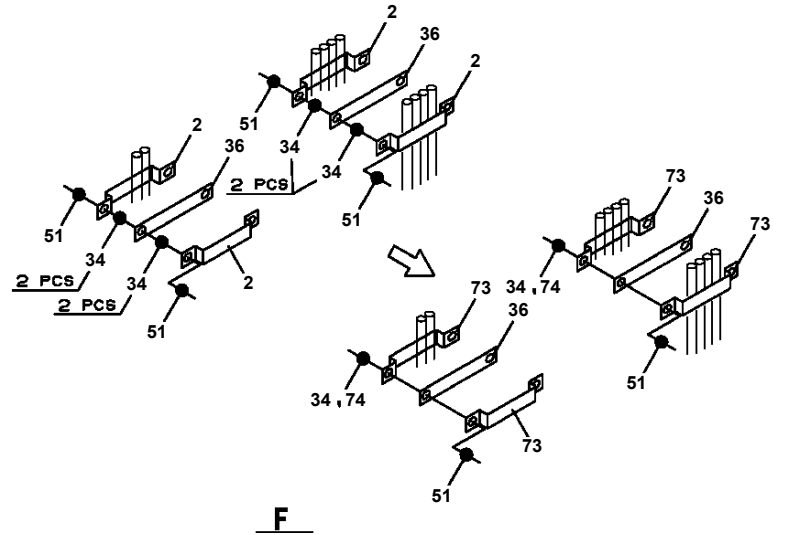
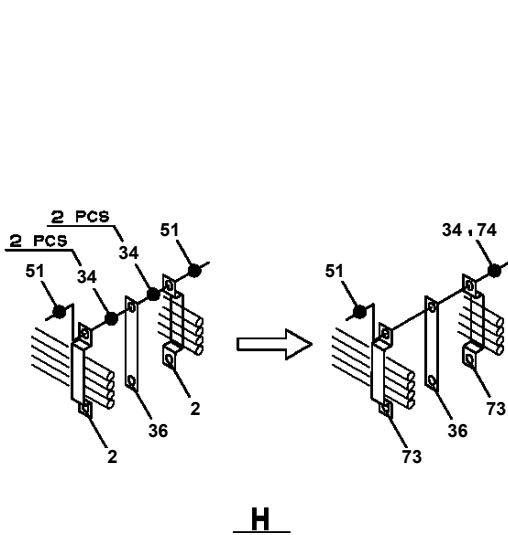
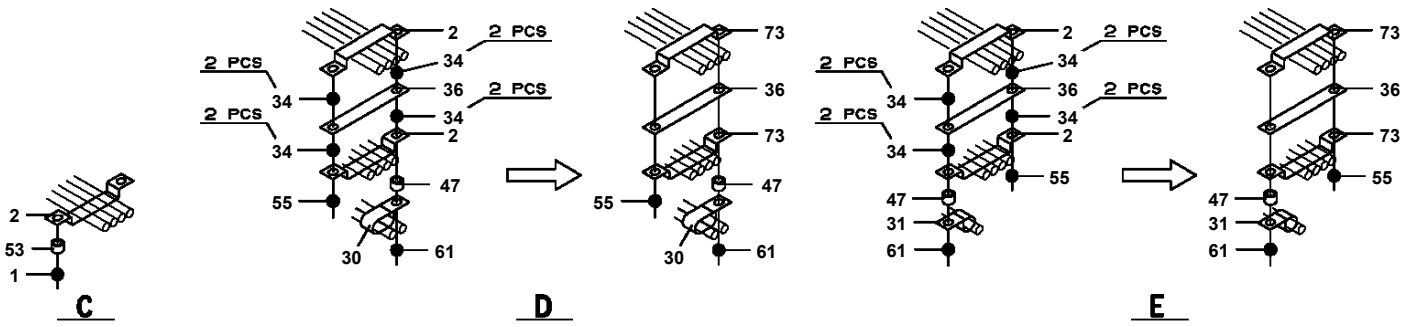
GR-1450E-3-00101 6 BOOM + 2 JIB(FIX), 2M2D
PN5011360-00 NAME PLATE ASSY (LOWER)



GR-1450E-3-00101 6 BOOM + 2 JIB(FIX), 2M2D

Pos No.	Parts No	Parts Name	Qty	Unit	Technical Data	Serial No (Start)	Serial No (End)
1	37002217330	PLATE,CAUTION (TADANO HYDRAULIC)	1				
2	37002219500	PLATE,CAUTION (OIL/FOR EXP.)	1				
3	37002220720	PLATE,CAUTION (OIL/FOR CHINA)	1				
4	37002220980	PLATE,CAUTION (OIL ISO VG22)	1				
5	37002232700	PLATE,NAME (TADANO HYDRAULIC OIL LL)	1				
6	37002232710	PLATE,NAME (HYDRAULIC OIL ISO VG22)	1				
7	37002232720	PLATE,NAME (HYDRAULIC OIL ISO VG15)	1				
8	37002232640	PLATE,CAUTION (TADANO HYDRAULIC OIL LL)	1				
9	37002232650	PLATE,CAUTION (TADANO HYDRAULIC OIL LL)	1				

**GR-1450E-3-00101 6 BOOM + 2 JIB(FIX), 2M2D
PO5080095-02 OPE.ASSY,CONT.VALVE (ISO/TACTILE)**

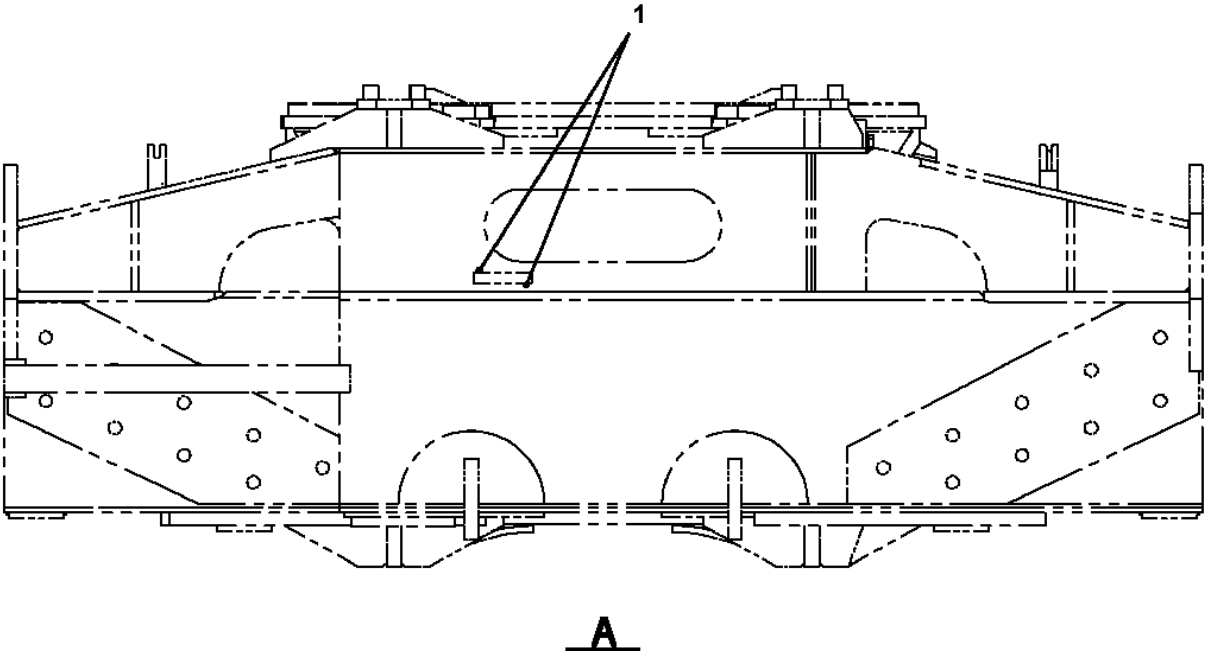
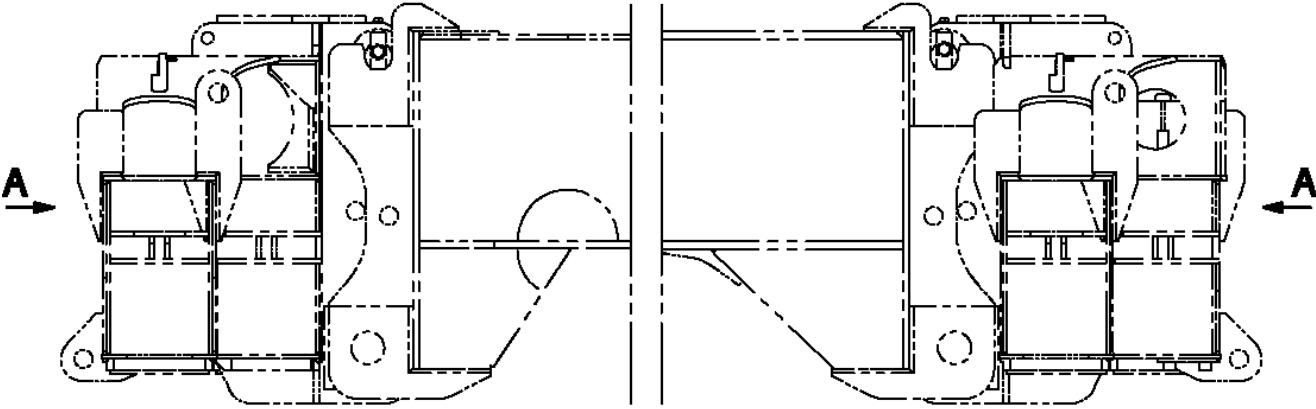


GR-1450E-3-00101 6 BOOM + 2 JIB(FIX), 2M2D

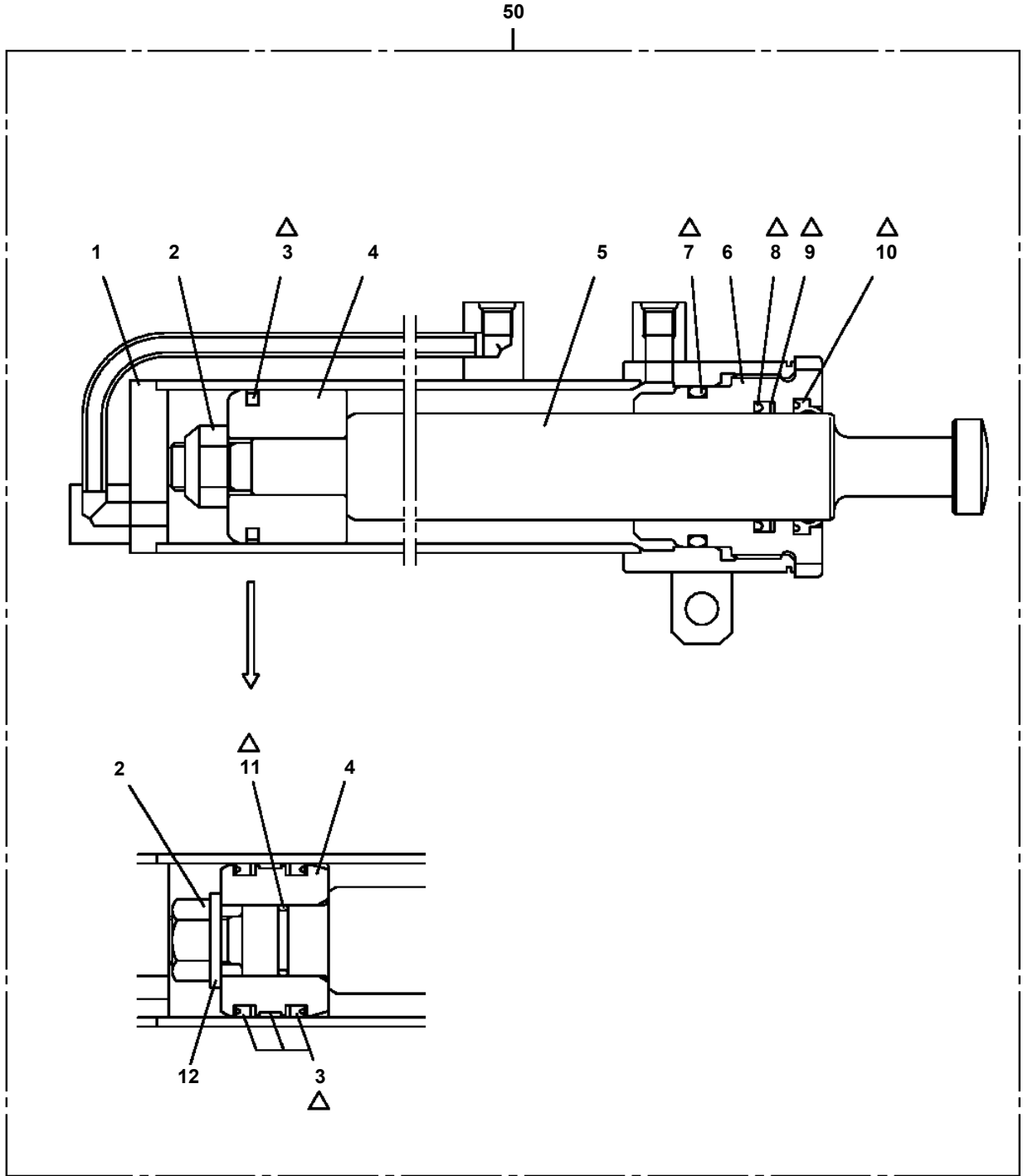
Pos No.	Parts No	Parts Name	Qty	Unit	Technical Data	Serial No (Start)	Serial No (End)	Rem
241	34323252101	BOX ASSY (RIGHT)	1					
251	37002443640	HOSE	2		L=1040			
255	37012401920	HOSE	2		L=490			
256	37002450690	HOSE	2		L=475			
284	80801002010	BEARING,PLAIN	8					

GR-1450E-3-00101 6 BOOM + 2 JIB(FIX), 2M2D
PO5260125-00 OUTER COVERING ASSY (PLUG/OUTRIGGER)

FRONT ←



**GR-1450E-3-00101 6 BOOM + 2 JIB(FIX), 2M2D
 PP1150007-05 CYLINDER,PIN DISMOUNTING**

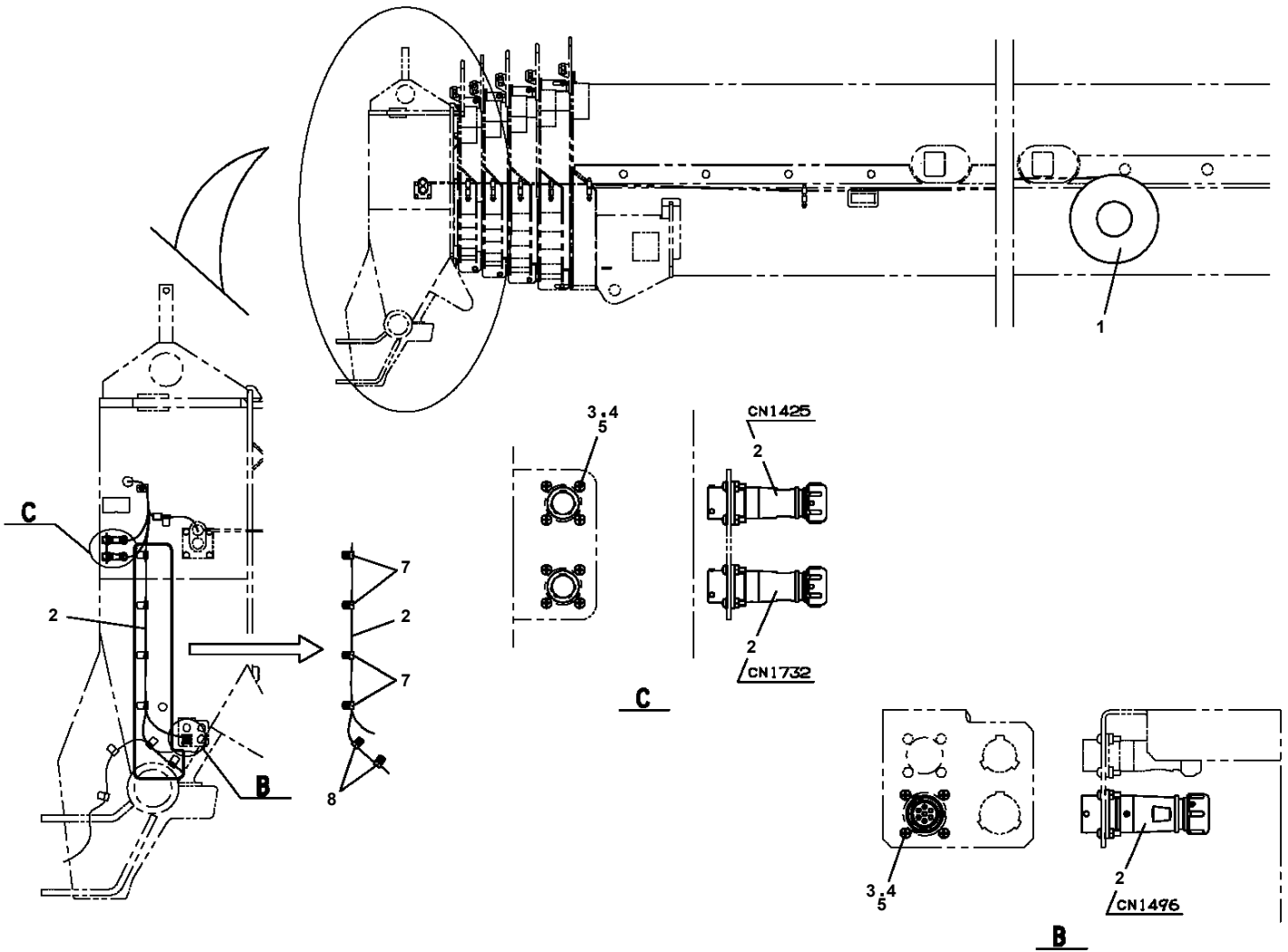


△:PACKING SET KEY NO. 20 (KEY NO.3,7,8,9,10)

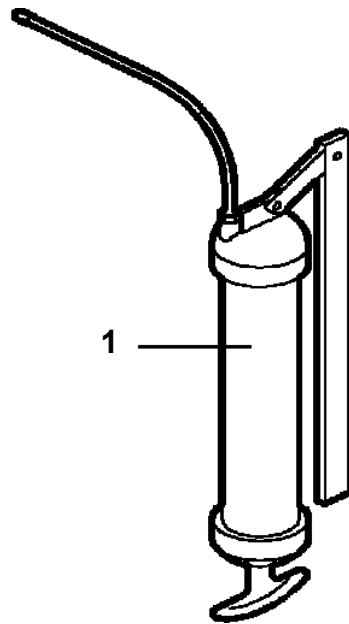


△:PACKING SET KEY NO. 30 (KEY NO.3,7,8,9,10,11)

GR-1450E-3-00101 6 BOOM + 2 JIB(FIX), 2M2D
PP5100075-01 PARTS ASSY,ELECTRICITY (ANEMOMETER,OBST/CORD REEL)



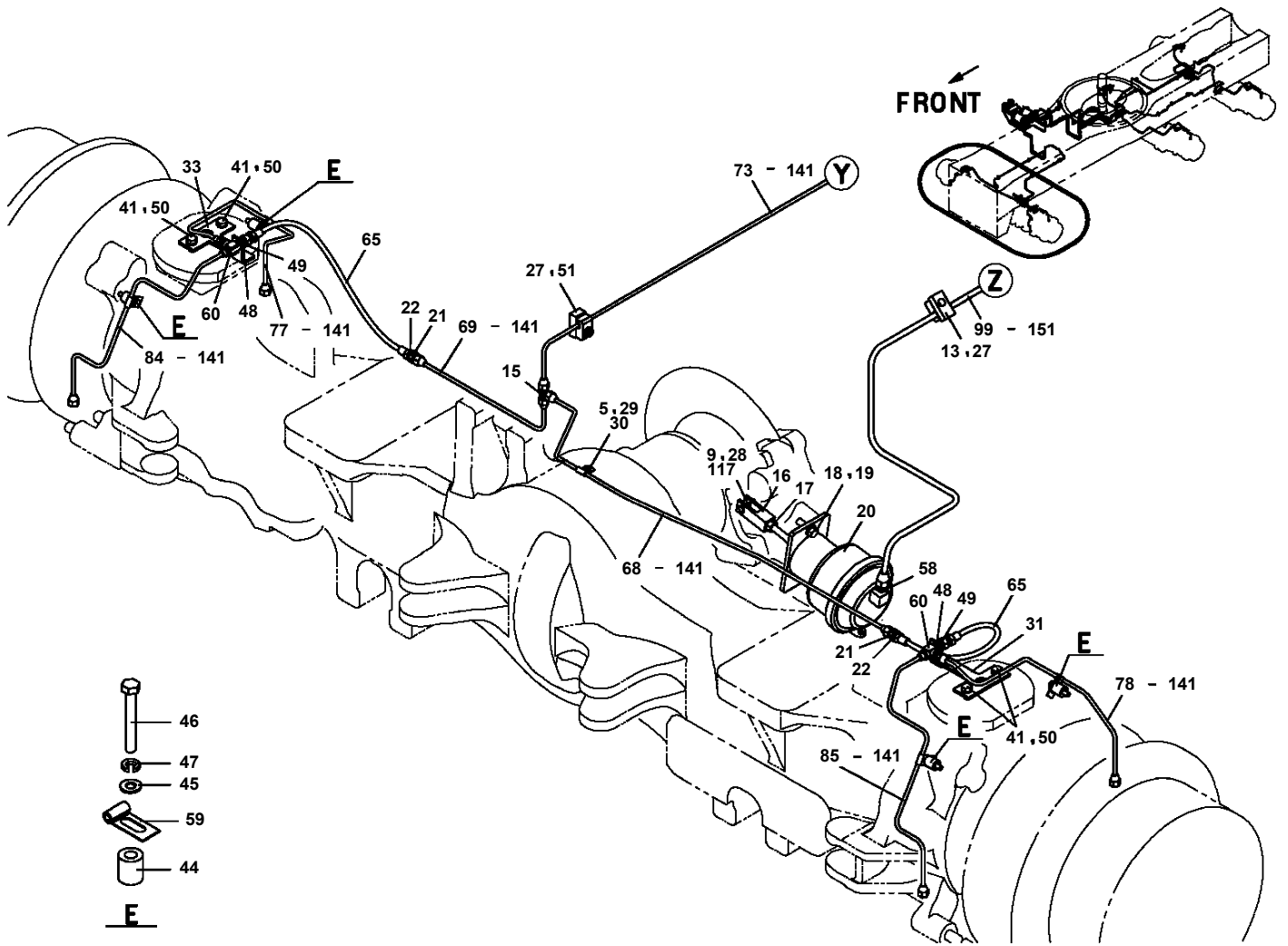
GR-1450E-3-00101 6 BOOM + 2 JIB(FIX), 2M2D
PP5450003-00 PUMP, GREASE (240CC)



GR-1450E-3-00101 6 BOOM + 2 JIB(FIX), 2M2D

Pos No.	Parts No	Parts Name	Qty	Unit	Technical Data	Serial No (Start)	Serial No (End)	Remarks
1	37012402220	HOSE	2		L=1000			
2	80400160129	JOINT	2					
4	37000933170	JOINT,SELF SEAL (FEMALE)	2		G3/8			
5	91002801400	O-RING	2		1B P14			
7	37000711000	CLAMP ASSY	2		12-1			
8	80306010105	NUT	2		KKN12-000E			
9	80309010105	SLEEVE	2		KK012-000E			
10	80311010250	FITTING	2		S,18-12			
11	37000701510	CLAMP ASSY	1		12X2			
12	80306010165	NUT	2		KKN018-000E			
13	80309010165	SLEEVE	2					
16	34343584500	SUPPORT	2					
17	81408000160	PIPE,STEEL	3	M	12X1.4T			
18	81408000160	PIPE,STEEL	2	M	12X1.4T			
19	91810133010	FASTENER (MARKING)	2		L=100			
20	34346041600	PLATE,NAME (A)	1					
21	34346041610	PLATE,NAME (B)	1					
41	37000999150	CAP	2					
52	82400000561	RING	2					

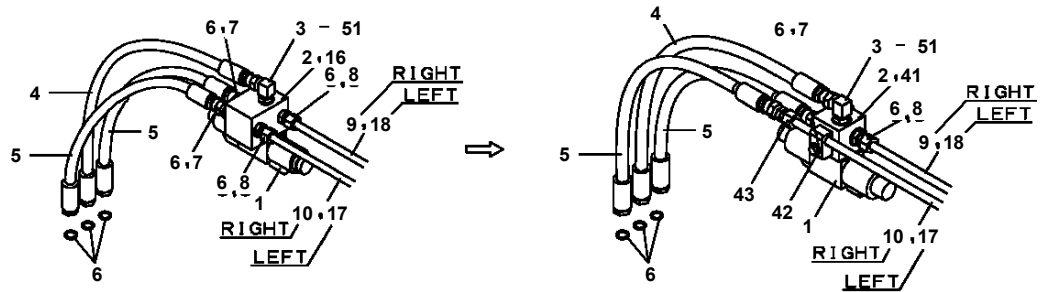
**GR-1450E-3-00101 6 BOOM + 2 JIB(FIX), 2M2D
 PP6070028-00 PIPING ASSY,BRAKE (LOWER)**



GR-1450E-3-00101 6 BOOM + 2 JIB(FIX), 2M2D

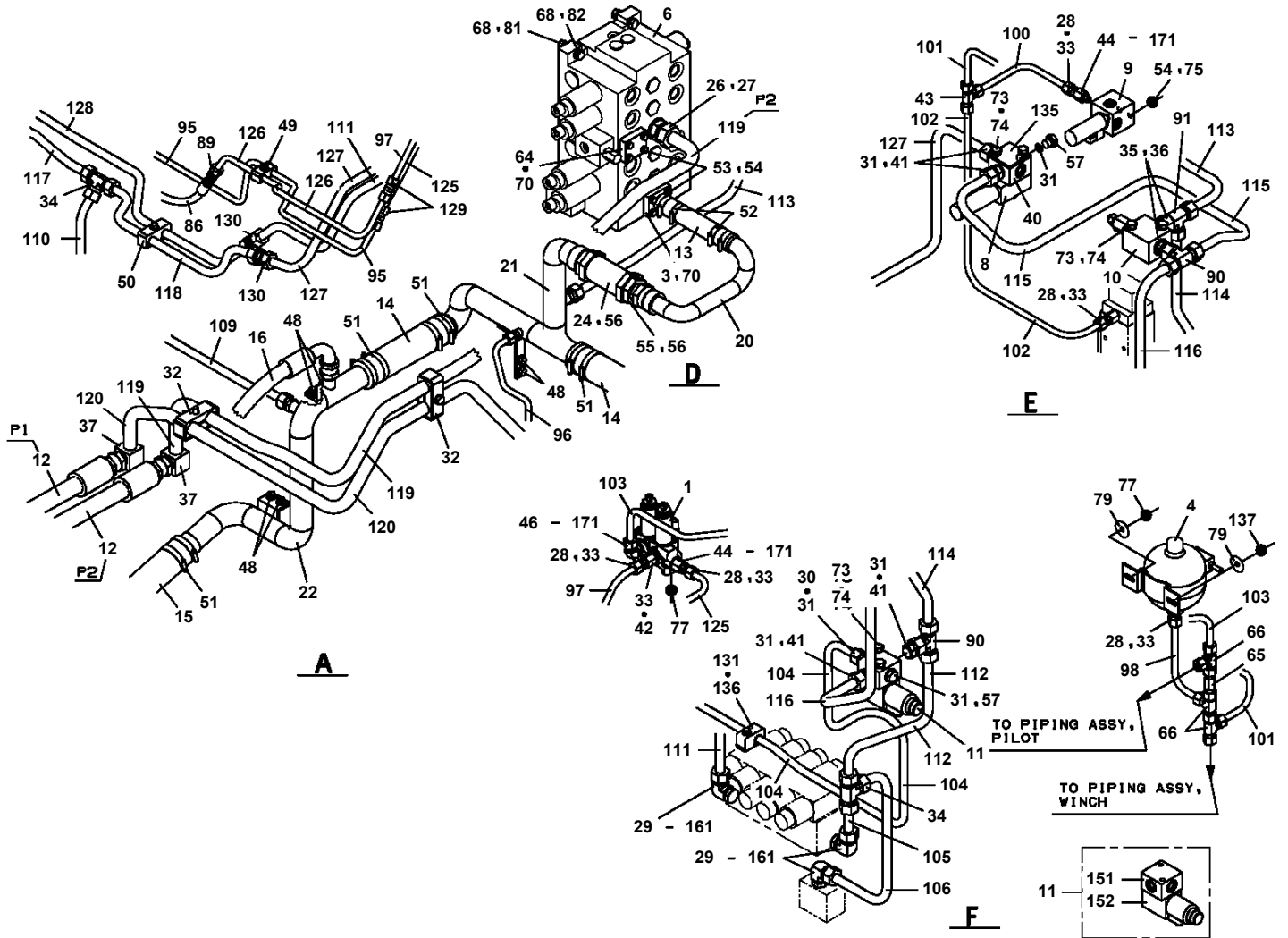
Pos No.	Parts No	Parts Name	Qty	Unit	Technical Data	Serial No (Start)	Serial No (End)
1	36646080000	VALVE,SOLENOID	1				
2	90186208016	BOLT,FLANGE	2		M8X16		
3	80302090141	FITTING	5		KCO12-020N		
5	91002801100	O-RING	7		1B P11		
10	80321112000	VALVE,CHECK	1				
11	80320010085	FITTING	4		KUD12-040N		
13	80400160120	FITTING	6		20376-U1/2X1/2		
14	37000921090	JOINT	1		S,7/16-20UNF-PF1/4		
15	91000590400	O-RING	1		AS568-904		
16	80441010904	FITTING (WITH O-RING)	10		S G1/4-12.7		
17	80400160126	FITTING,TEE	20		20364-U1/2		
18	80441030904	FITTING,ELBOW (WITH O-RING)	11		L,G1/4-12.7		
19	80441010906	FITTING	2				
20	80441030908	FITTING,ELBOW (WITH O-RING)	2		L,G1/2-12.7		
21	37000921300	JOINT	2		S,PF1/4-PF1/4		
22	37002474890	HOSE	1		L=500		
23	80320010140	FITTING	2		KUD18-040N		
25	37000711090	CLAMP ASSY	1		18X2		
27	37000701500	CLAMP ASSY	2		12X1		
29	37000711360	CLAMP ASSY	1		12-3		
31	80305100180	FITTING,TEE	2		T,18-18-18		
32	80311010250	FITTING	2		S,18-12		
33	80305140120	FITTING,TEE	1		KTB12-00		
35	80441050908	FITTING,TEE	1		92179-PF1/2		
36	37000920730	JOINT	1				
37	37000923290	JOINT	1		S,R3/8-R1/4		
38	34343816200	SUPPORT	1				
39	80456400600	JOINT,SELF SEALING	1				
40	80456020610	JOINT,SELF SEALING	1				
41	80302010160	FITTING	1		KCT12-030N		
42	37000929420	JOINT	1		S,G1/4-G1/4		
43	80305010100	FITTING,TEE	1		KTA12-000N		
46	81408000160	PIPE,STEEL	1	M	12X1.4T		
47	81408000160	PIPE,STEEL	1	M	12X1.4T		
49	81408000160	PIPE,STEEL	2	M	12X1.4T		
50	81408000160	PIPE,STEEL	1	M	12X1.4T		
51	81408000160	PIPE,STEEL	1	M	12X1.4T		
52	81408000160	PIPE,STEEL	1	M	12X1.4T		
53	81408000160	PIPE,STEEL	3	M	12X1.4T		
54	81408000160	PIPE,STEEL	3	M	12X1.4T		
55	81408000241	PIPE,STEEL	1	M	18X1.9T		
56	81408000160	PIPE,STEEL	1	M	12X1.4T		
57	89640101000	HOSE	1		880-NFK,1M		
58	89640101000	HOSE	1		880-NFK,1M		
59	89640101000	HOSE	1		880-NFK,1M		
60	89640101000	HOSE	1		880-NFK,1M		
61	89640101000	HOSE	1		880-NFK,1M		
62	89640101000	HOSE	1		880-NFK,1M		
63	89640101000	HOSE	1		880-NFK,1M		
64	89640101000	HOSE	1		880-NFK,1M		
65	89640101000	HOSE	1		880-NFK,1M		
66	89640101000	HOSE	1		880-NFK,1M		
67	89640101000	HOSE	1		880-NFK,1M		
68	89640101000	HOSE	1		880-NFK,1M		
69	89640101000	HOSE	1		880-NFK,1M		
70	89640101000	HOSE	1		880-NFK,1M		
71	89640101000	HOSE	1		880-NFK,1M		
72	89640101000	HOSE	1		880-NFK,1M		
73	89640101000	HOSE	1		880-NFK,1M		
74	89640101000	HOSE	1		880-NFK,1M		
75	89640101000	HOSE	1		880-NFK,1M		
76	89640101000	HOSE	1		880-NFK,1M		
77	89640101000	HOSE	1		880-NFK,1M		

GR-1450E-3-00101 6 BOOM + 2 JIB(FIX), 2M2D
PP6220042-04 PIPING ASSY,OUTRIGGER (CASE,OUTER)



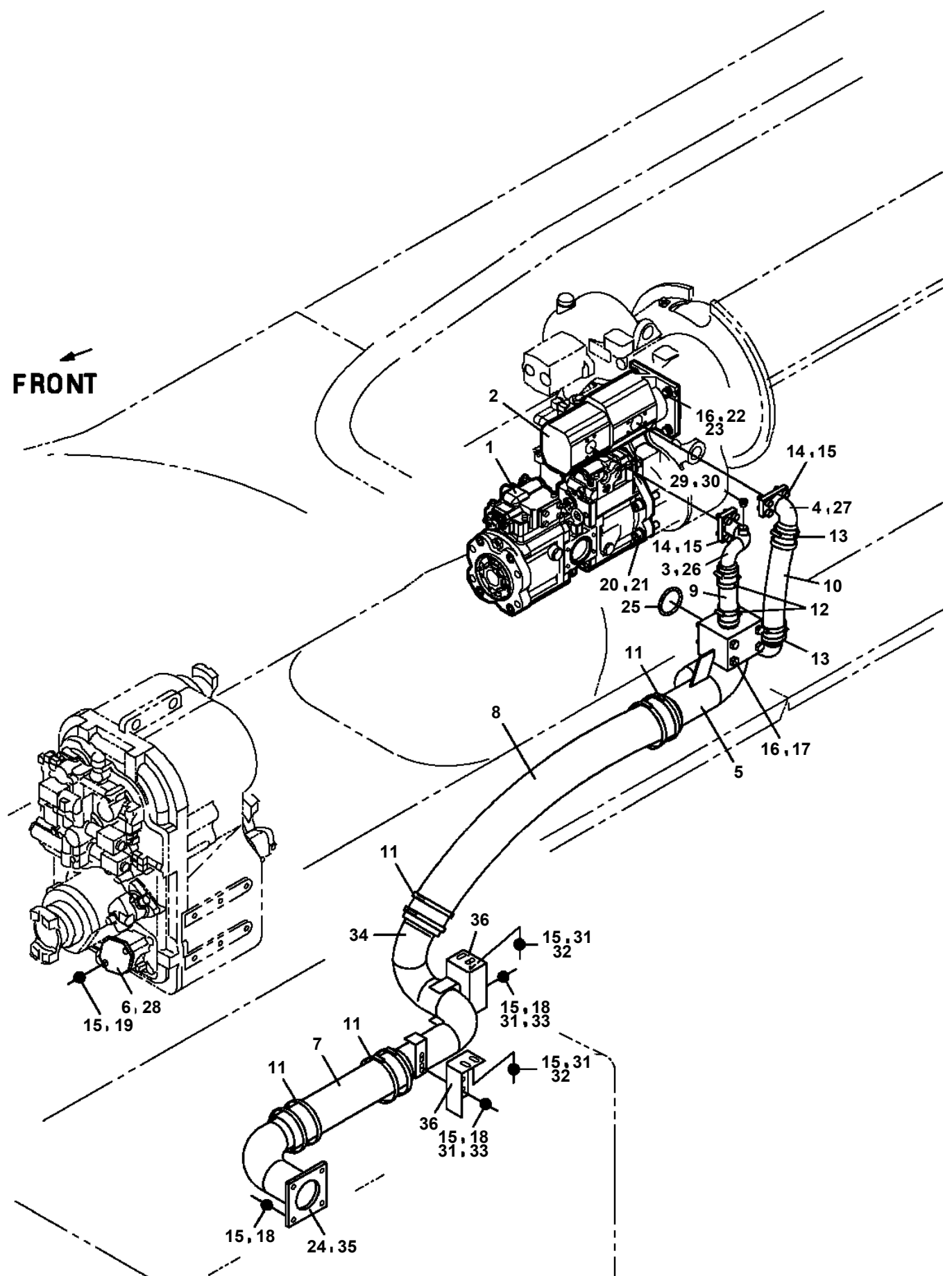
A

**GR-1450E-3-00101 6 BOOM + 2 JIB(FIX), 2M2D
PP6270090-00 PIPING ASSY,RETURN (UPPER)**

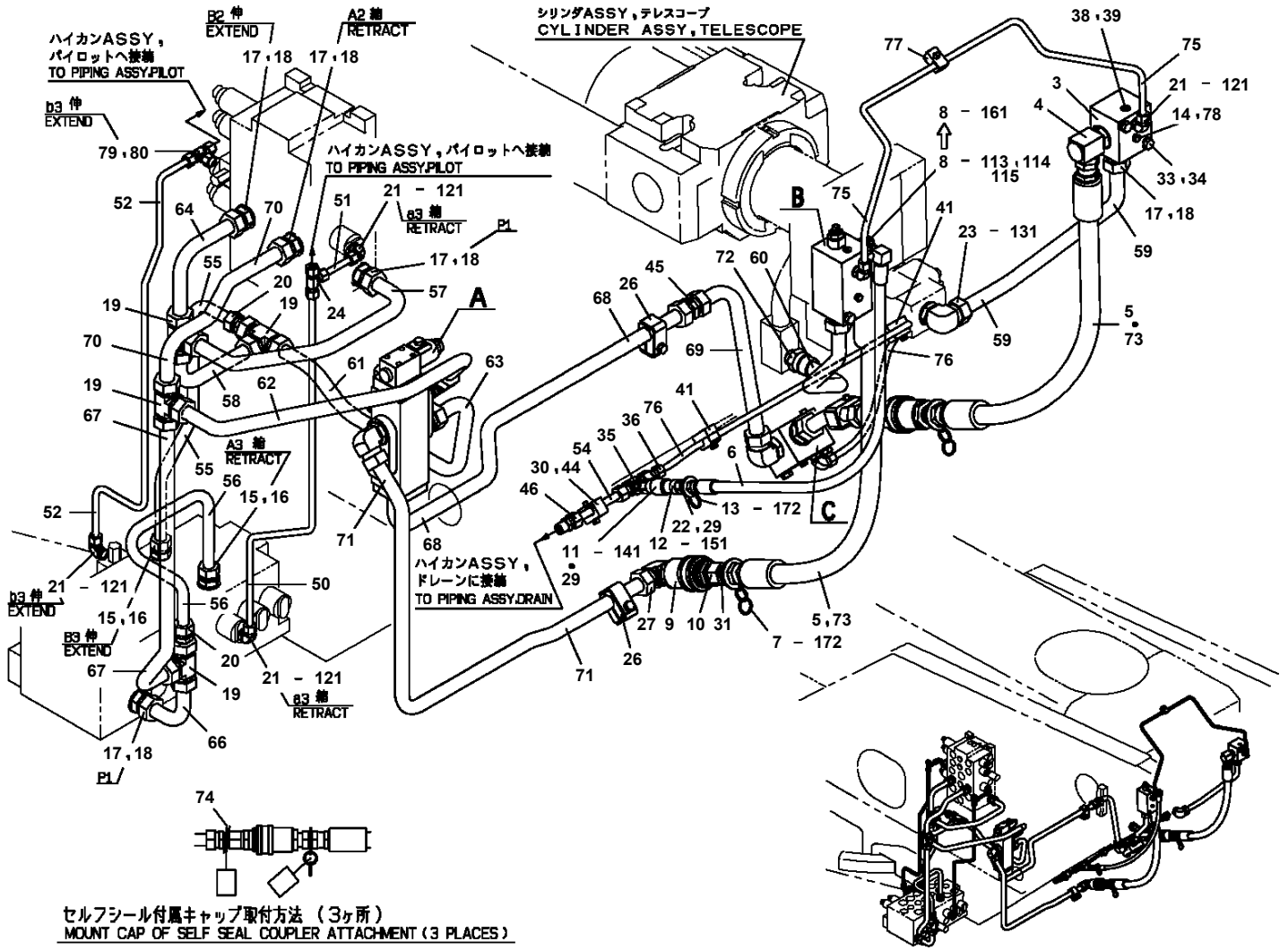


**GR-1450E-3-00101 6 BOOM + 2 JIB(FIX), 2M2D
PP6300014-00 PIPING ASSY,SUCTION**

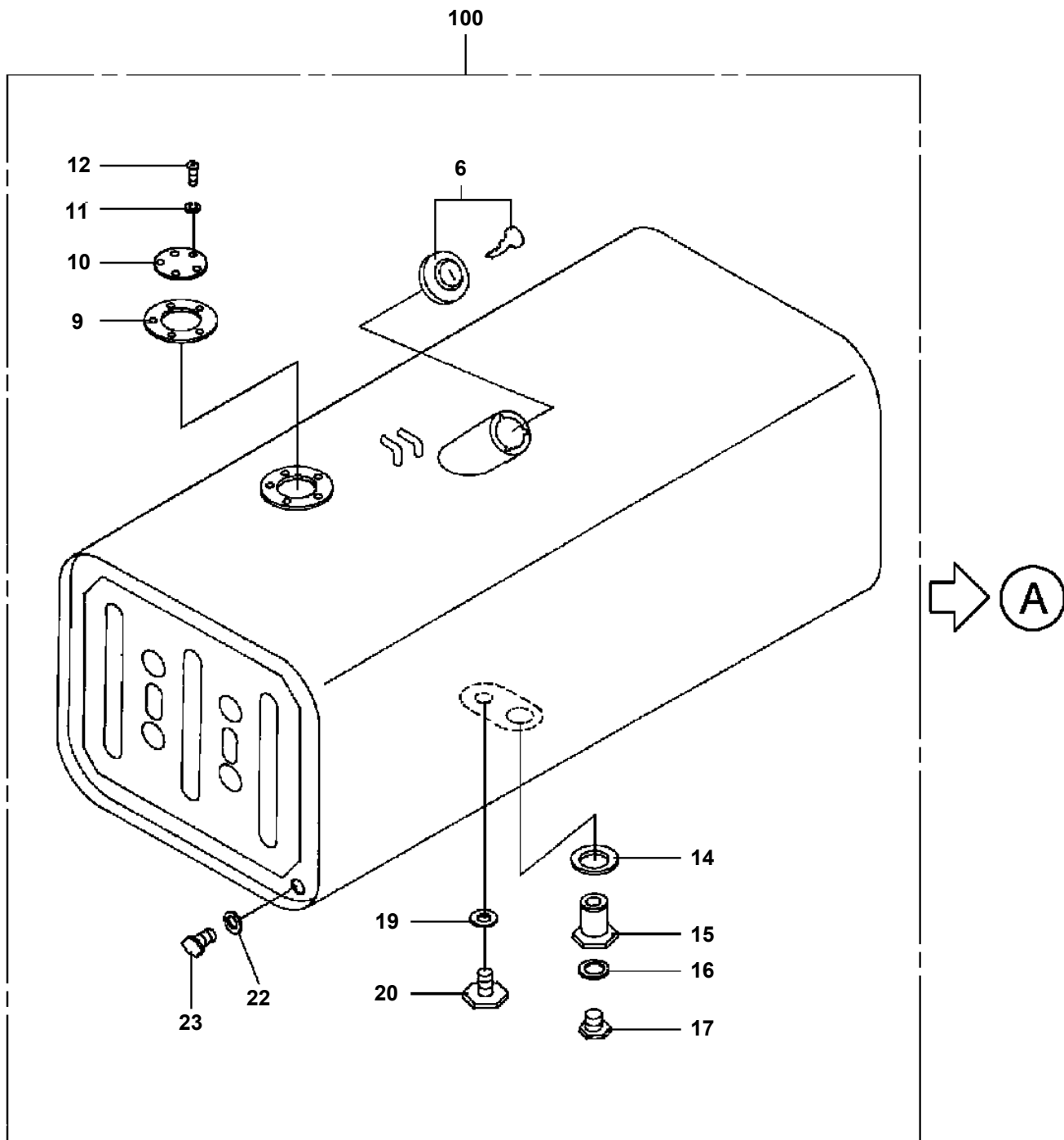
FRONT ←



**GR-1450E-3-00101 6 BOOM + 2 JIB(FIX), 2M2D
PP6360015-03 PIPING ASSY, TELESCOPE**



GR-1450E-3-00101 6 BOOM + 2 JIB(FIX), 2M2D
PQ1100033-02 TANK,FUEL (300L)



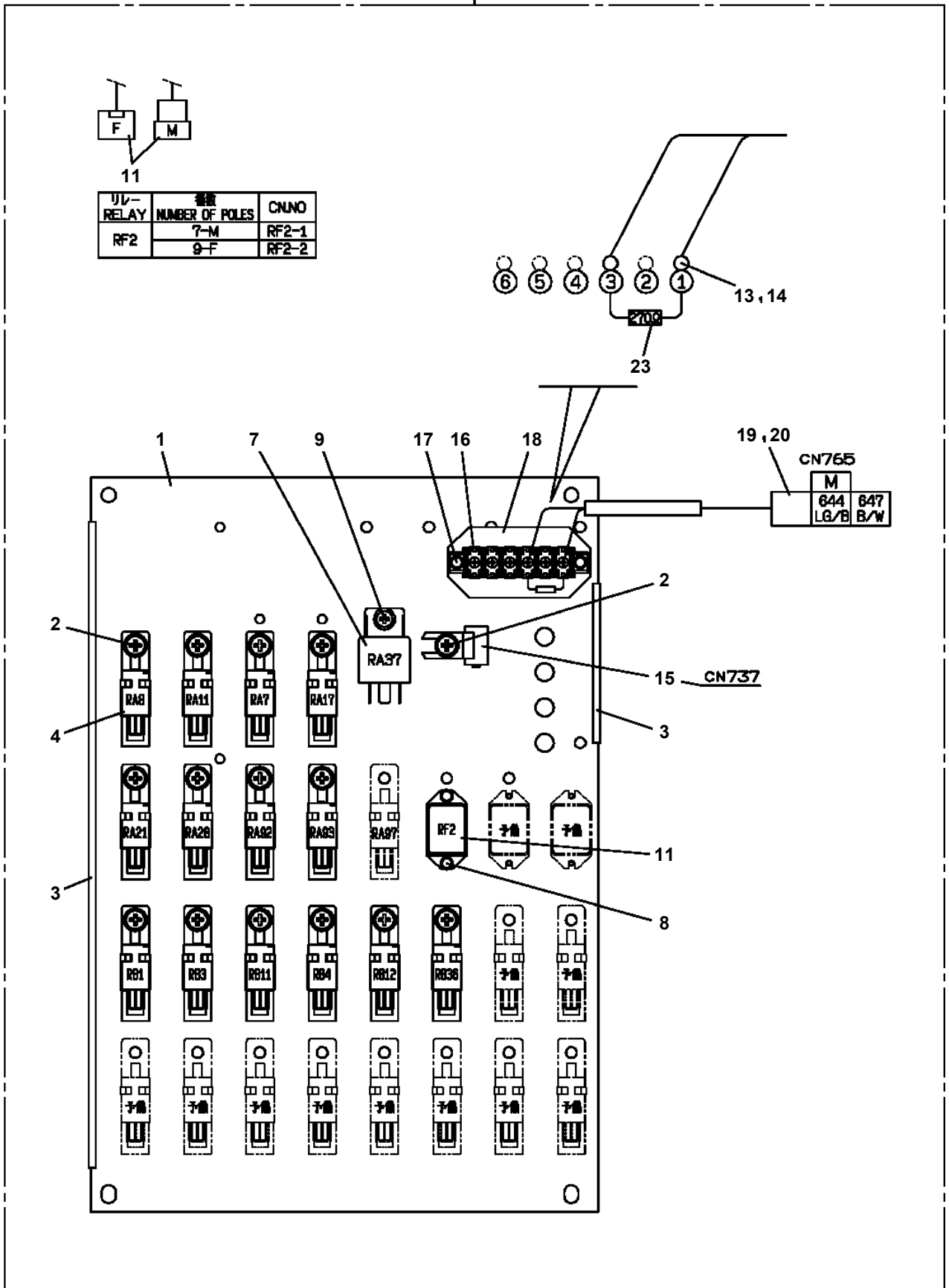
Ⓐ 部へ変更
ALTERATION TO Ⓐ

GR-1450E-3-00101 6 BOOM + 2 JIB(FIX), 2M2D

Pos No.	Parts No	Parts Name	Qty	Unit	Technical Data	Serial No (Start)	Serial No (End)
1	36161735010	FRAME ASSY	1				
2	36161595020	DRUM ASSY	1				
3	36161455030	COVER (OUTER)	1				
4	36160225040	CASE (BEARING)	2				
6	36160225060	COLLAR (A)	1				
7	36160845030	COLLAR (B)	4				
8	36160225082	RING	4				
9	36160225090	PLATE (HOLDER)	1				
10	36160225100	CONTACTOR	4				
11	36160225110	PACKING	1				
12	36130235090	WASHER,SEAL	1				
15	36160885040	CLAMP (CORD)	1				
16	36160885050	CLAMP (CORD)	1				
17	36161735050	CABLE ASSY (OUTPUT)	1				
18	36160225120	GROMMET	1				
19	32360005160	CLIP (NYLON)	1				
20	36161735030	CABLE ASSY (INPUT)	1				
22	36160945050	BRACKET	1				
23	36161455050	COVER (INNER)	1				
25	36160855040	COLLAR	1				
100	36161730001	REEL ASSY,CORD (FOR OVERWIND)	1				

GR-1450E-3-00101 6 BOOM + 2 JIB(FIX), 2M2D
 PR5090169-00 RELAY ASSY

100

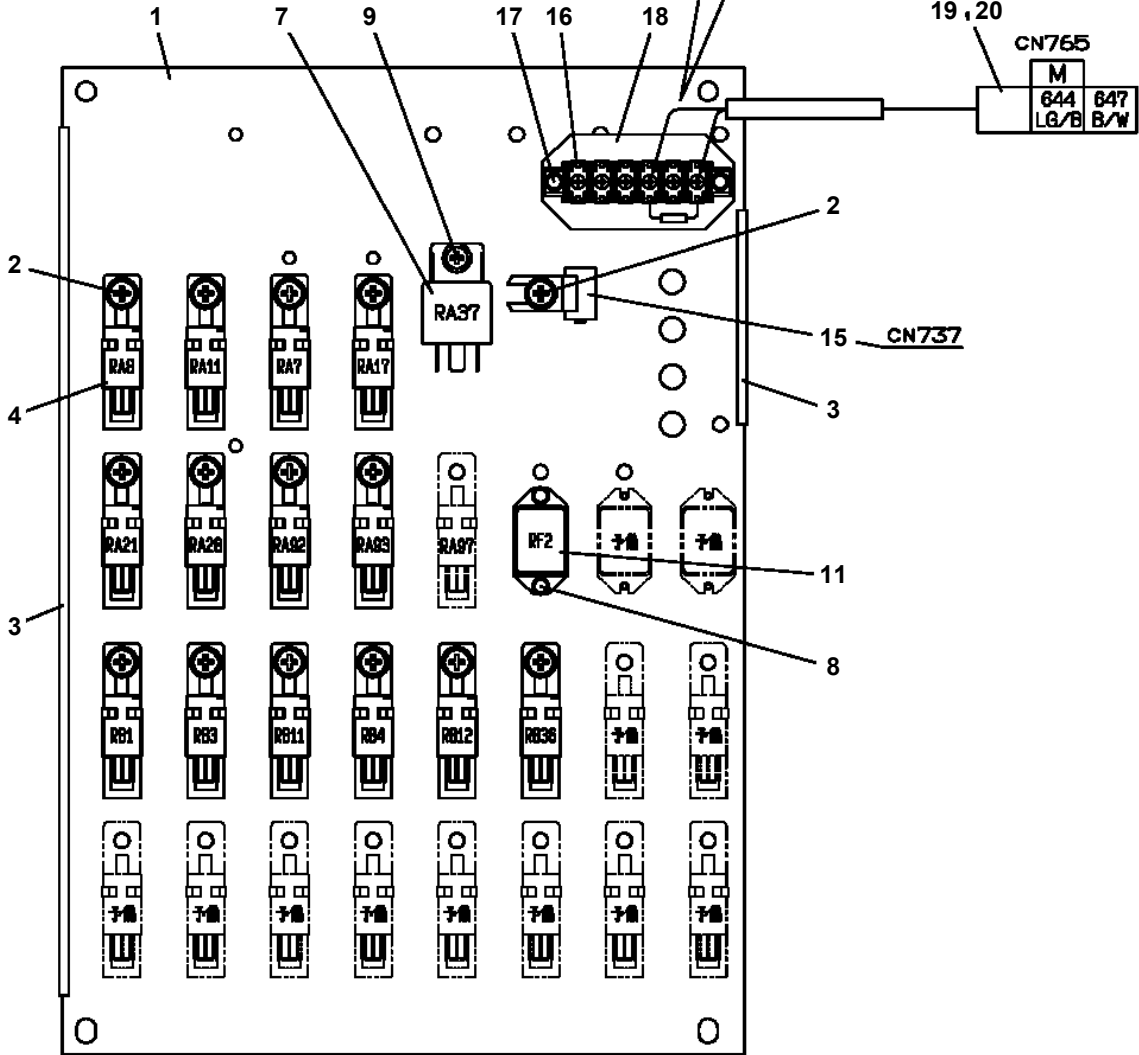


リレー RELAY	極数 NUMBER OF POLES	CNNO
RF2	7-M	RF2-1
	9-F	RF2-2

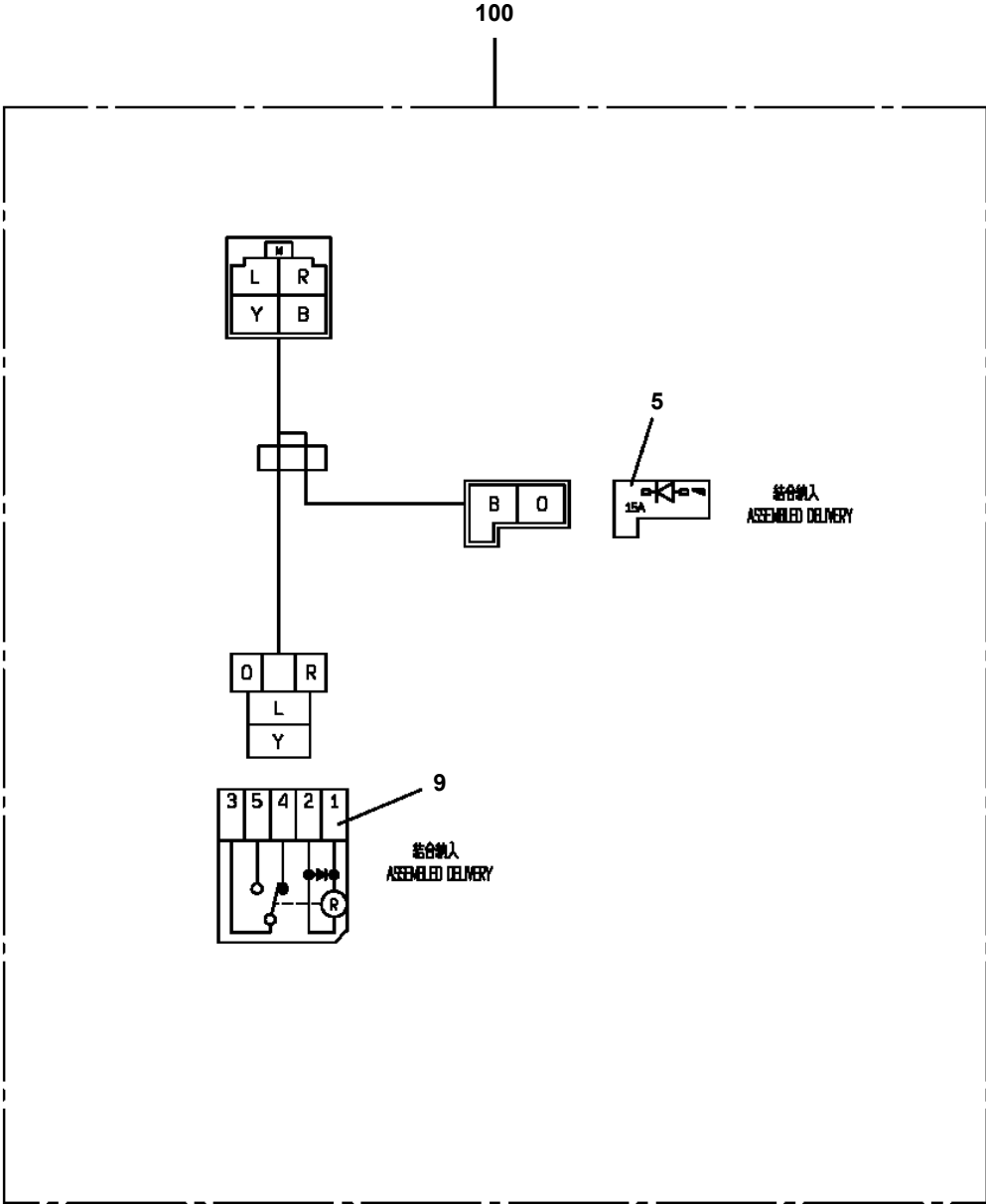
CN765		
M	644	647
	LG/B	B/W

CN737

20Ω

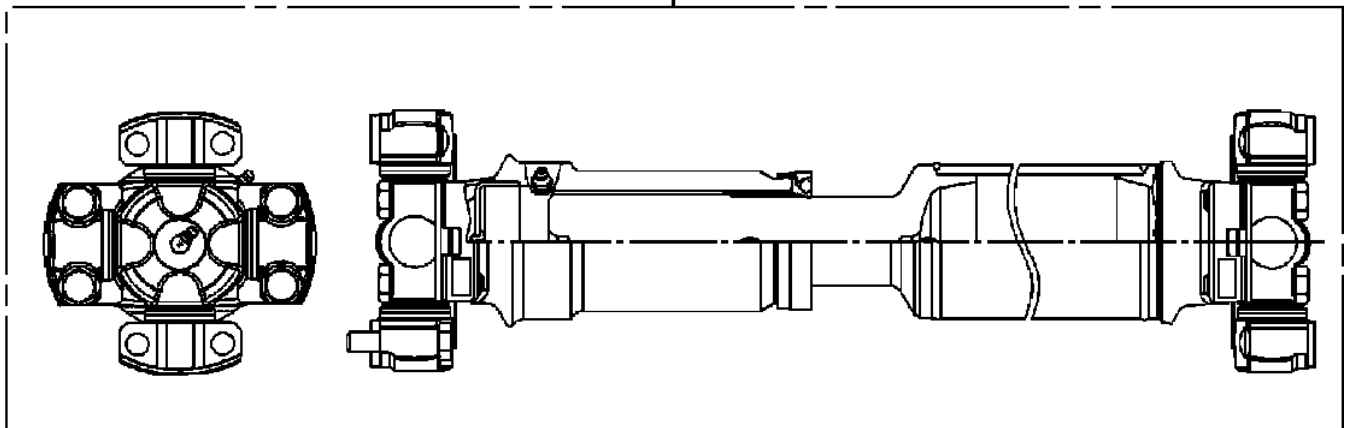


GR-1450E-3-00101 6 BOOM + 2 JIB(FIX), 2M2D
PR5210001-00 RELAY (WITH HARNESS)

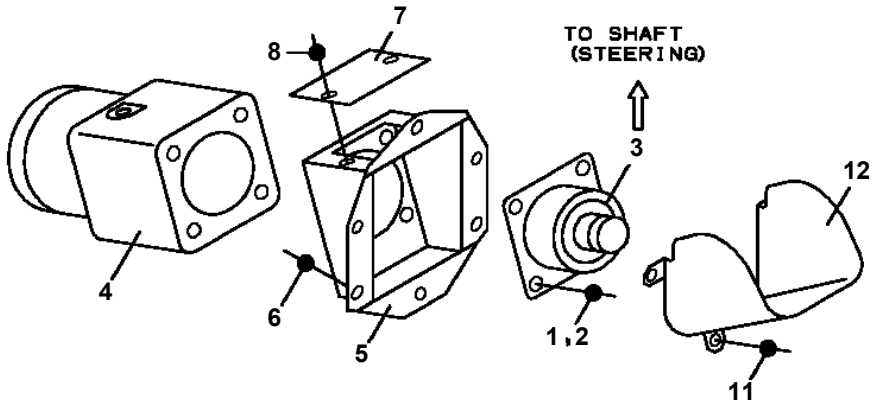
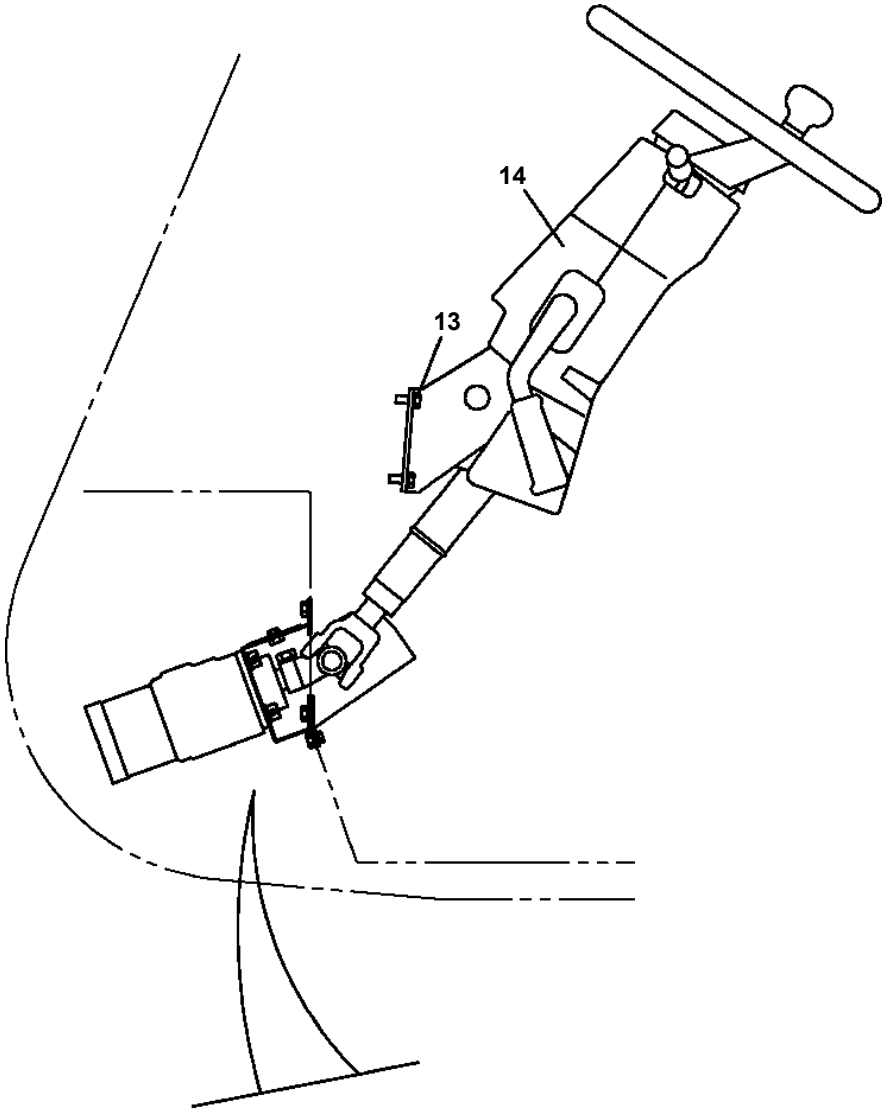


GR-1450E-3-00101 6 BOOM + 2 JIB(FIX), 2M2D
PS5170026-00 SHAFT ASSY,PROPELLER (JTEKT:C/B-F/AXLE)

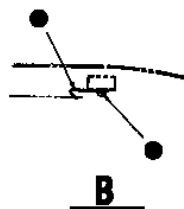
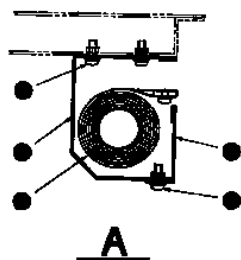
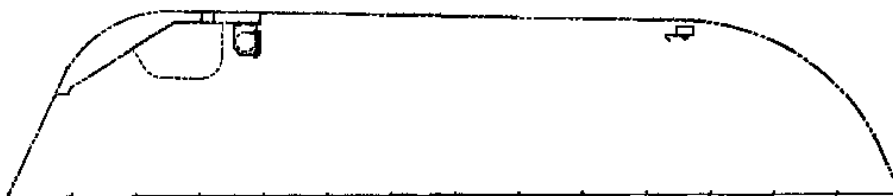
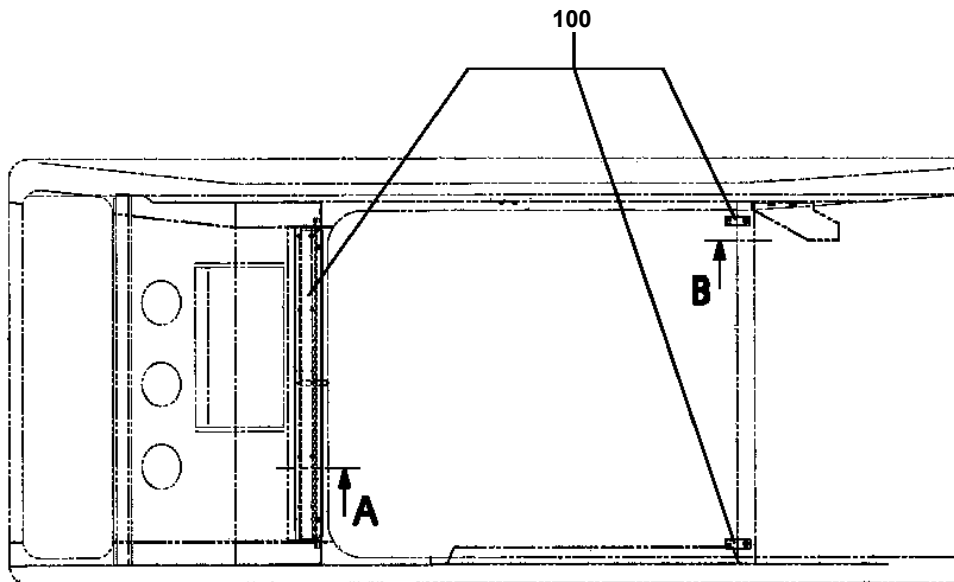
100



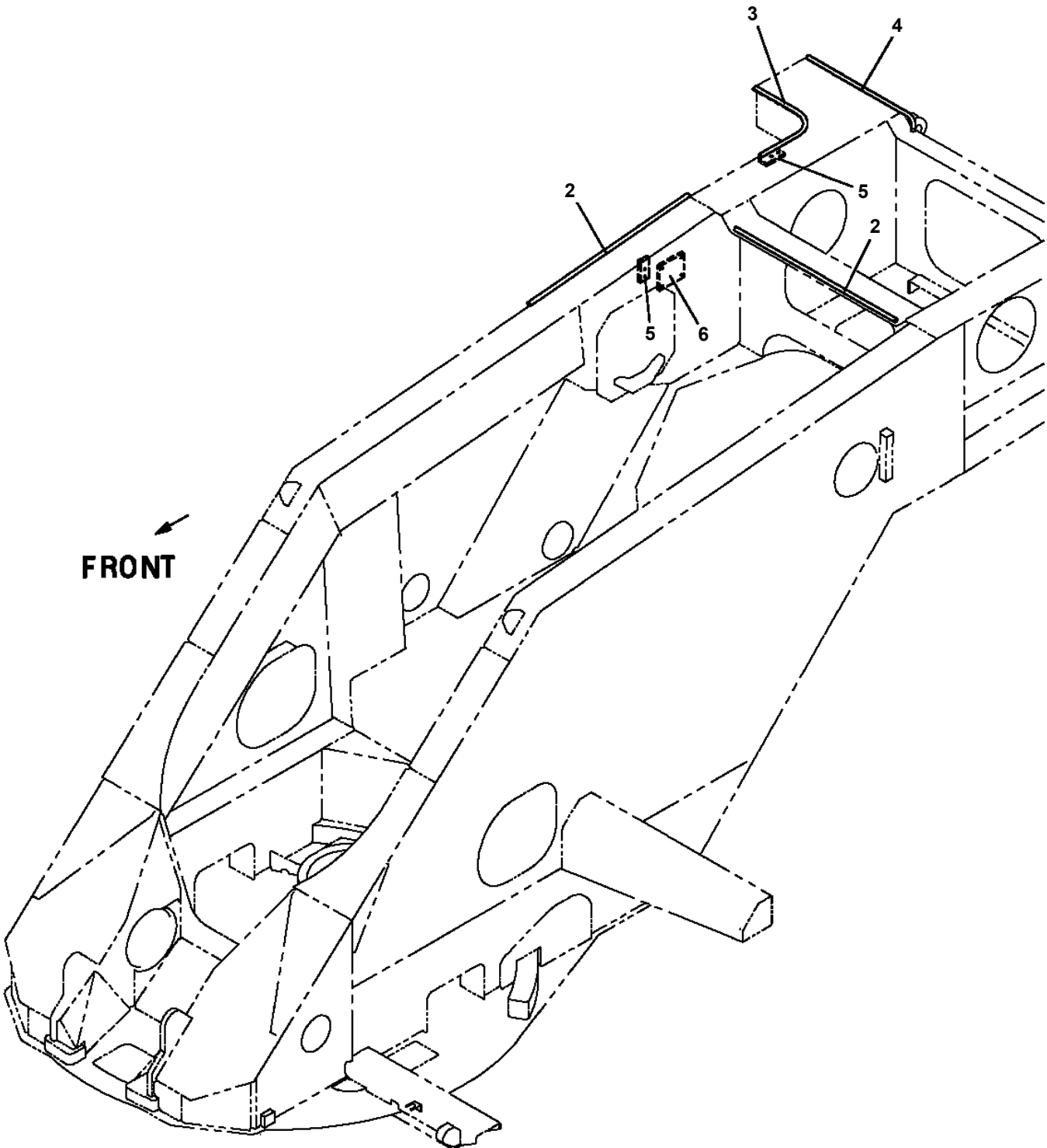
**GR-1450E-3-00101 6 BOOM + 2 JIB(FIX), 2M2D
PS5340004-02 STEERING ASSY (CAB)**



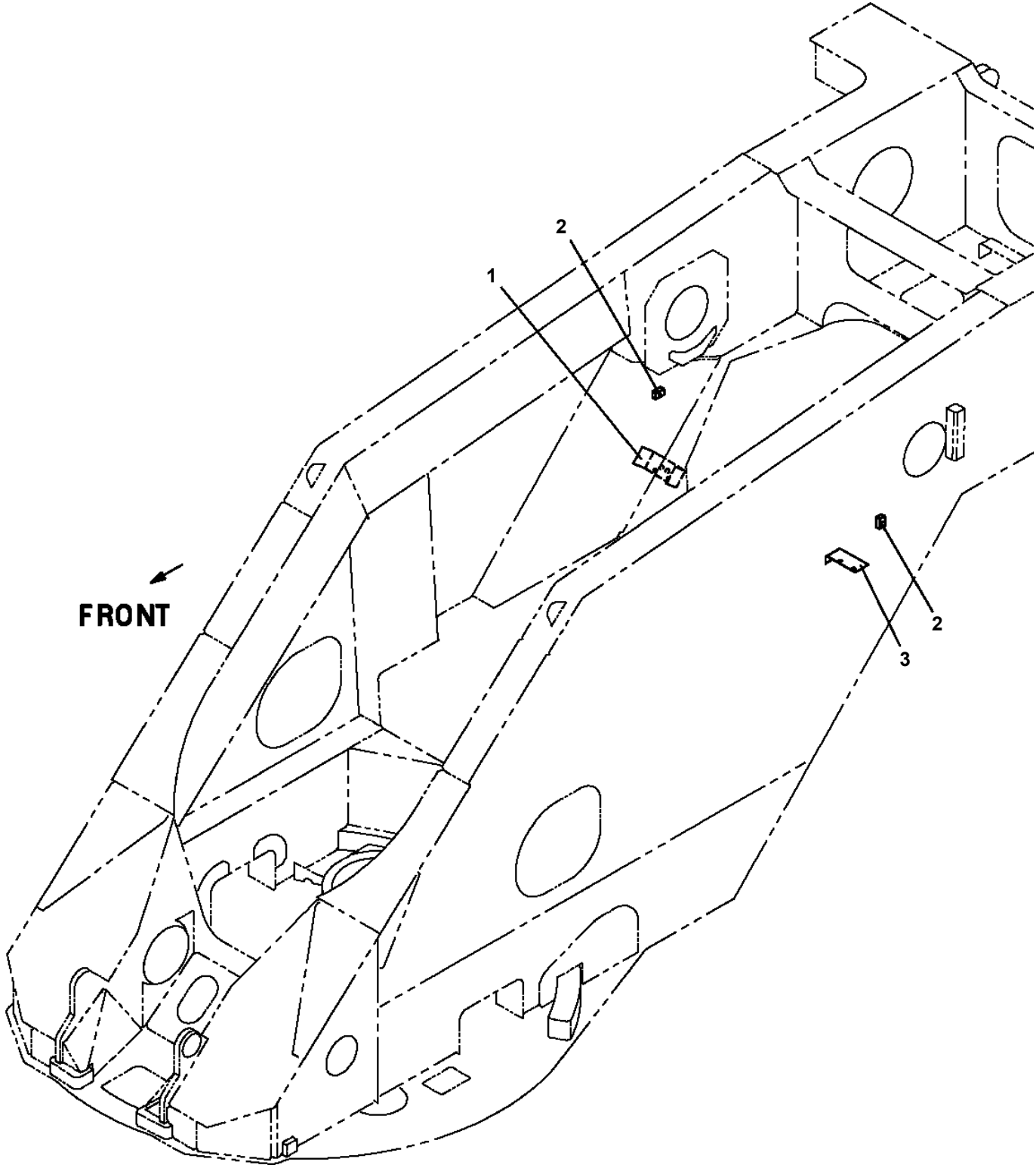
GR-1450E-3-00101 6 BOOM + 2 JIB(FIX), 2M2D
PS5410001-00 SUNSHADE



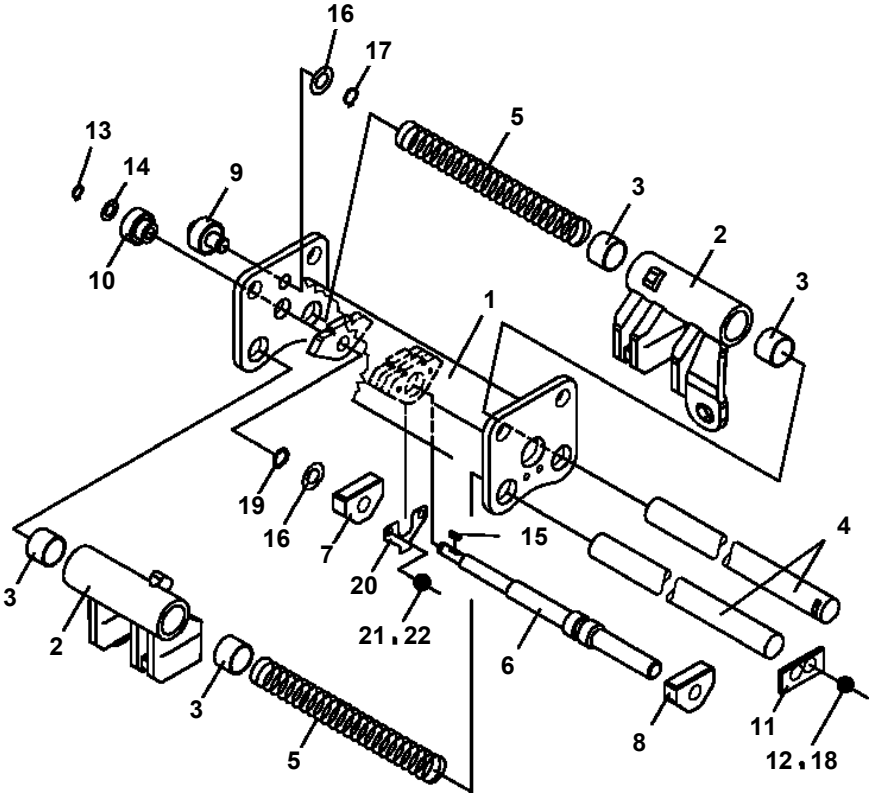
**GR-1450E-3-00101 6 BOOM + 2 JIB(FIX), 2M2D
PS5420243-00 SUPPORT ASSY (WIRE GUARD)**



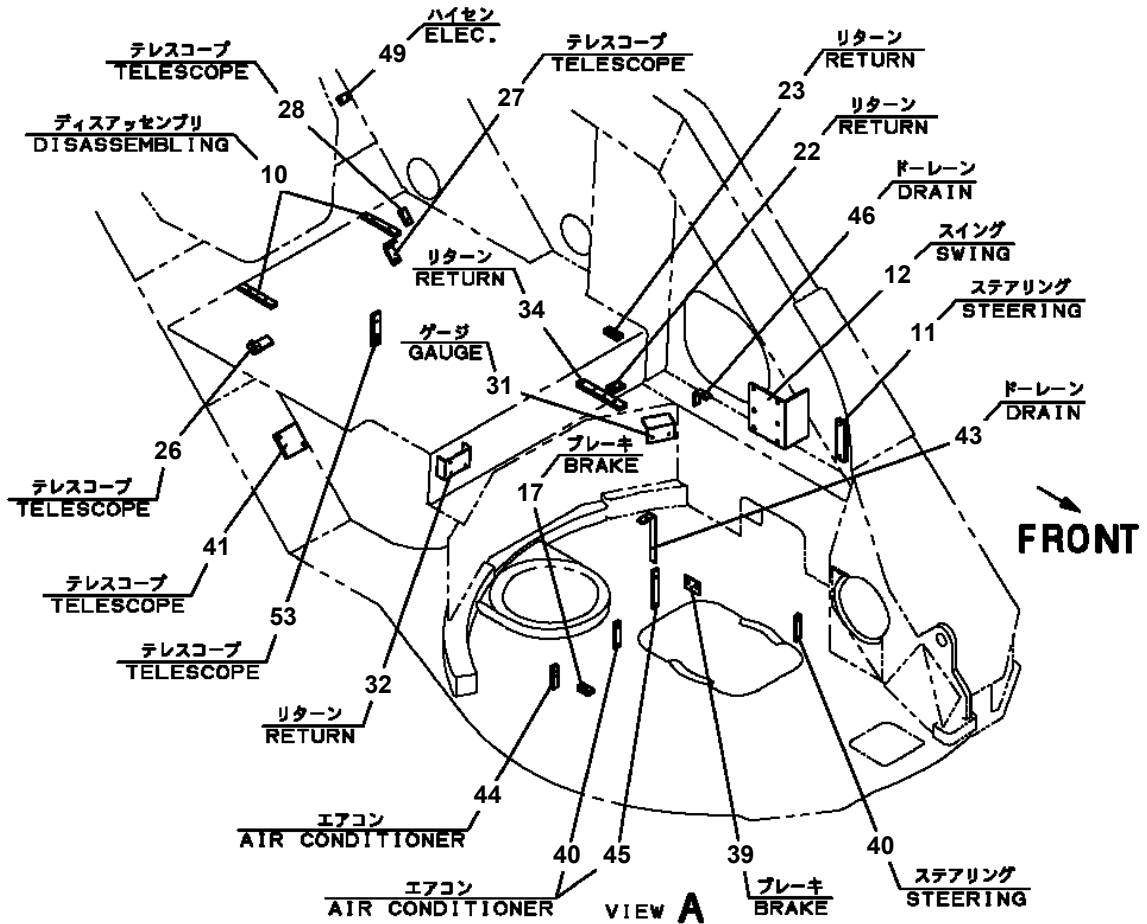
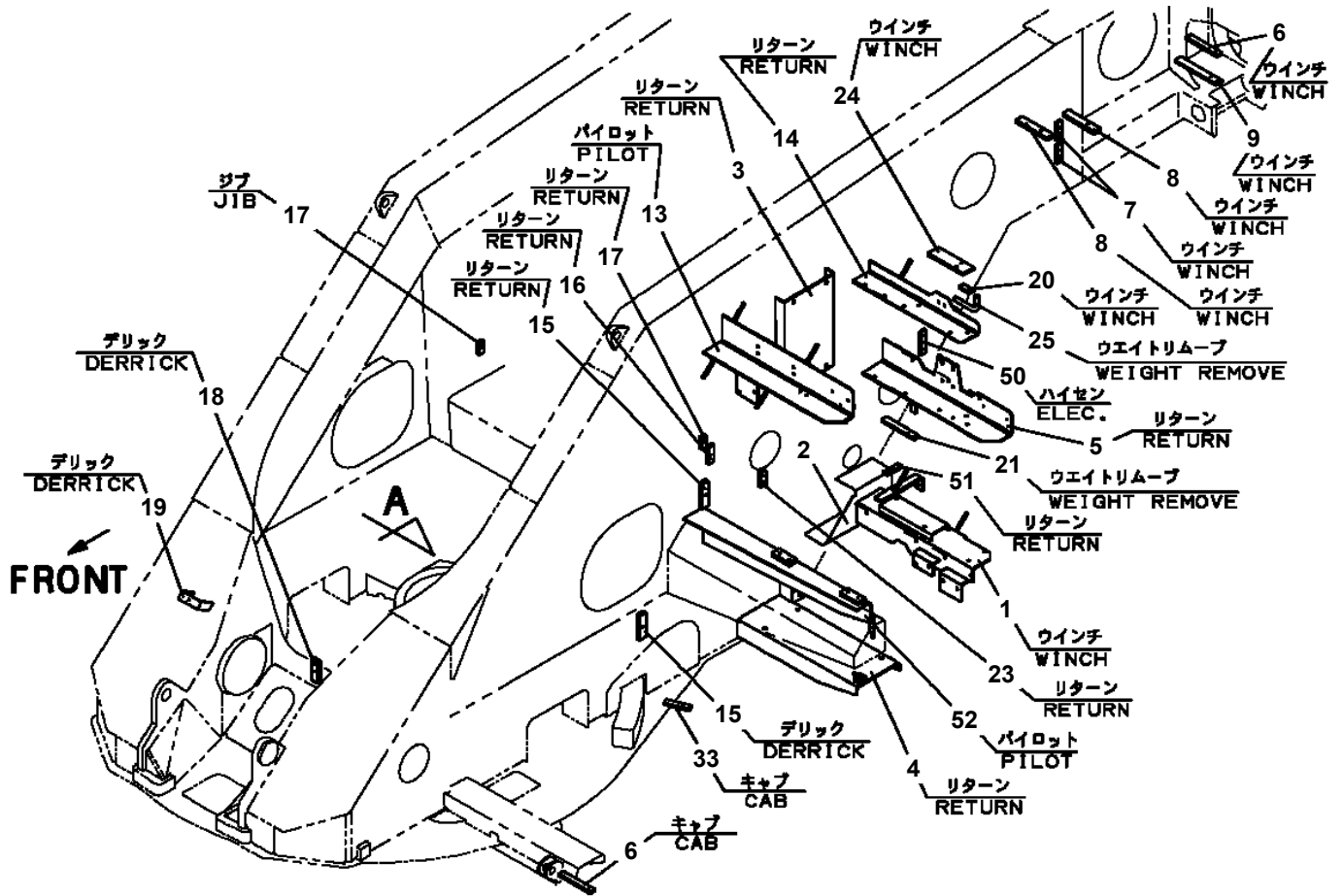
GR-1450E-3-00101 6 BOOM + 2 JIB(FIX), 2M2D
PS5420252-00 SUPPORT ASSY (FOOT PIN PIPING)



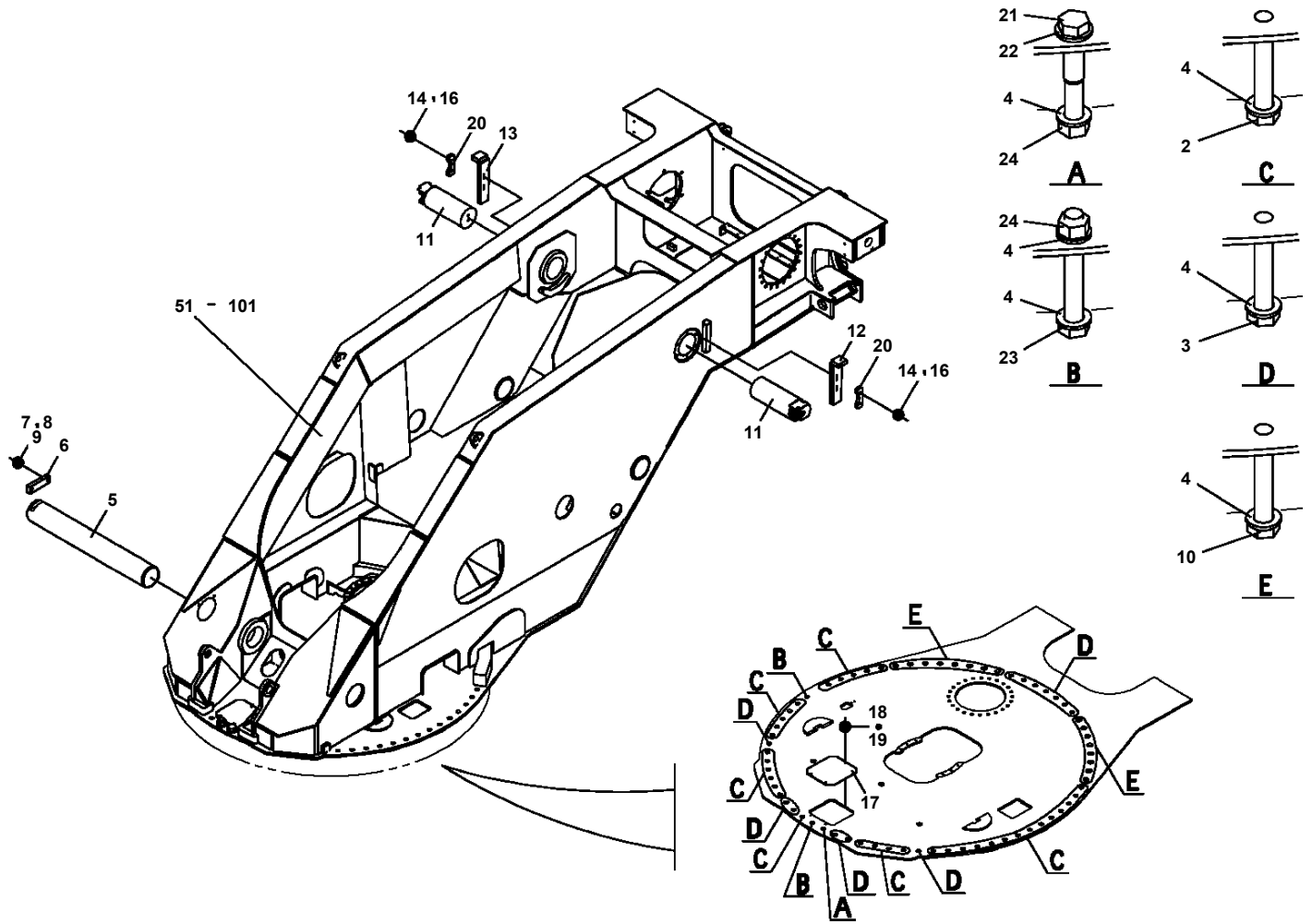
GR-1450E-3-00101 6 BOOM + 2 JIB(FIX), 2M2D
PS5420271-00 SUPPORT ASSY



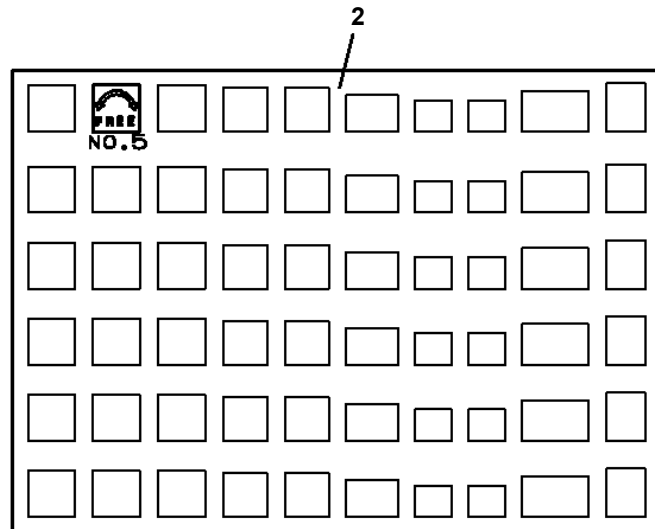
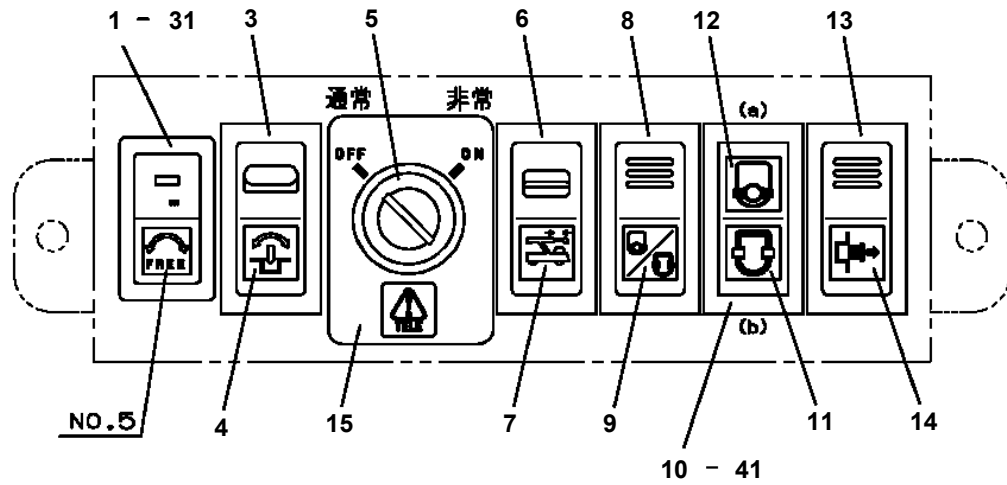
GR-1450E-3-00101 6 BOOM + 2 JIB(FIX), 2M2D
 PS5420372-00 SUPPORT ASSY (HYDRAULIC PARTS)



**GR-1450E-3-00101 6 BOOM + 2 JIB(FIX), 2M2D
PS5510045-00 SWING FRAME ASSY**

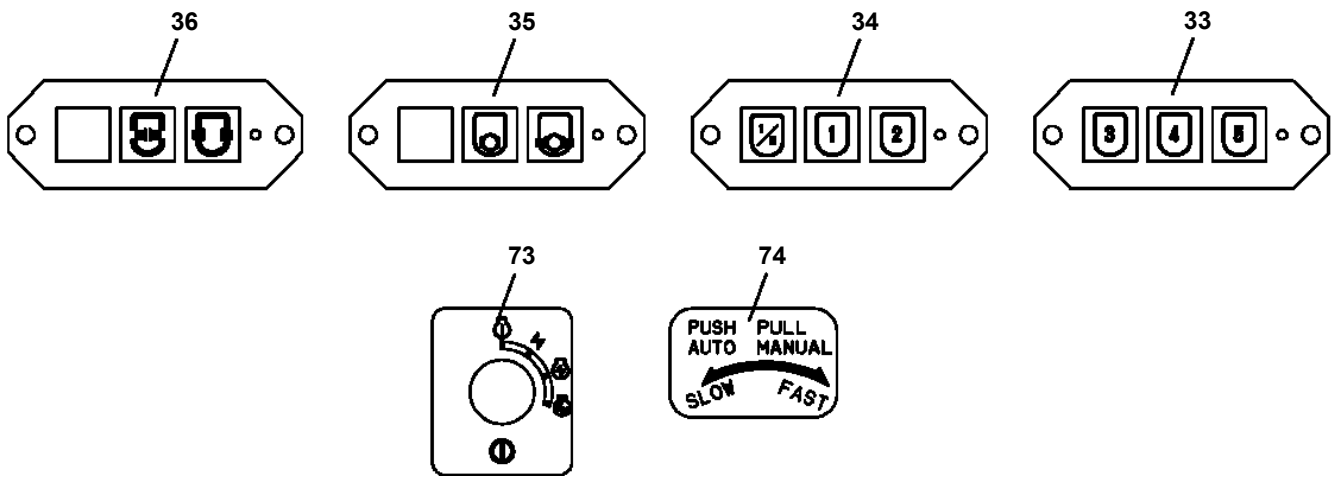
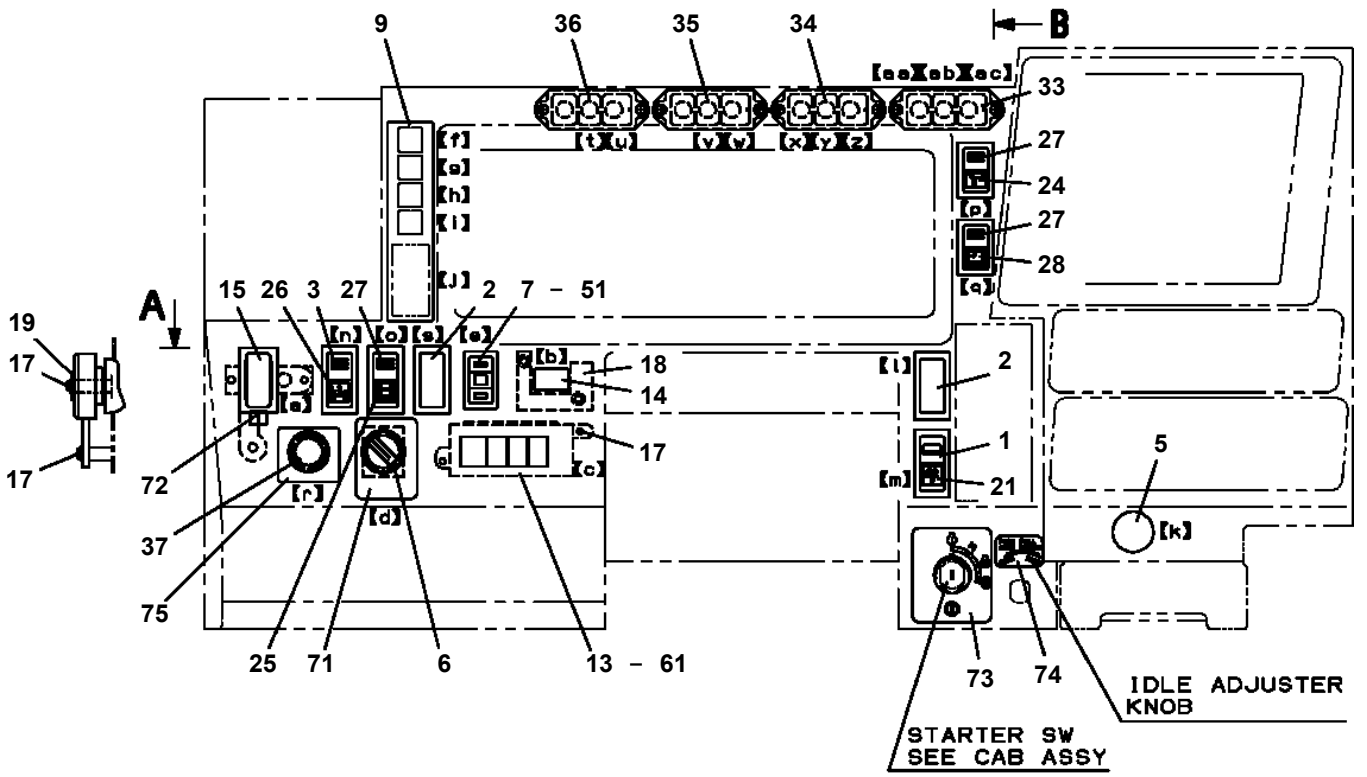
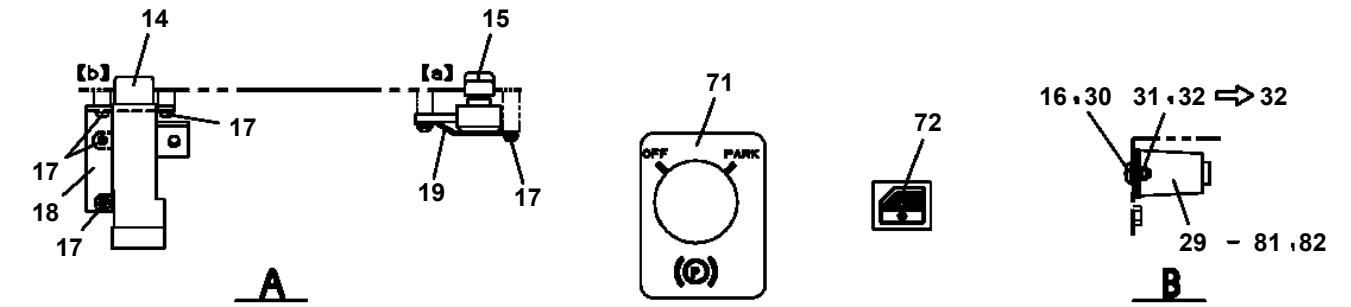


**GR-1450E-3-00101 6 BOOM + 2 JIB(FIX), 2M2D
PS5530163-01 SWITCH ASSY (ESP)**



KEY.NO.	NAME	CN.NO.
1	SLEWING FREE/LOCK SELECTOR	CN487
3	SLEWING LOCK SW	CN1267 CN1454
5	EMERGENCY TELESCOPING KEY SW	CN976
6	EMERGENCY TELESCOPING SW	CN1590 CN1591
8	B/C-PIN EMERGENCY OPERATION SELECTOR	CN1256 CN1257
10	(a) C-PIN EMERGENCY OPERATION INDICATOR	CN1593
	(b) B-PIN EMERGENCY OPERATION INDICATOR	CN1592
13	B/C-PIN EMERGENCY UNLOCK SW	CN1258 CN1259

**GR-1450E-3-00101 6 BOOM + 2 JIB(FIX), 2M2D
PS5530283-02 SWITCH ASSY (1/CAB:FRONT)**

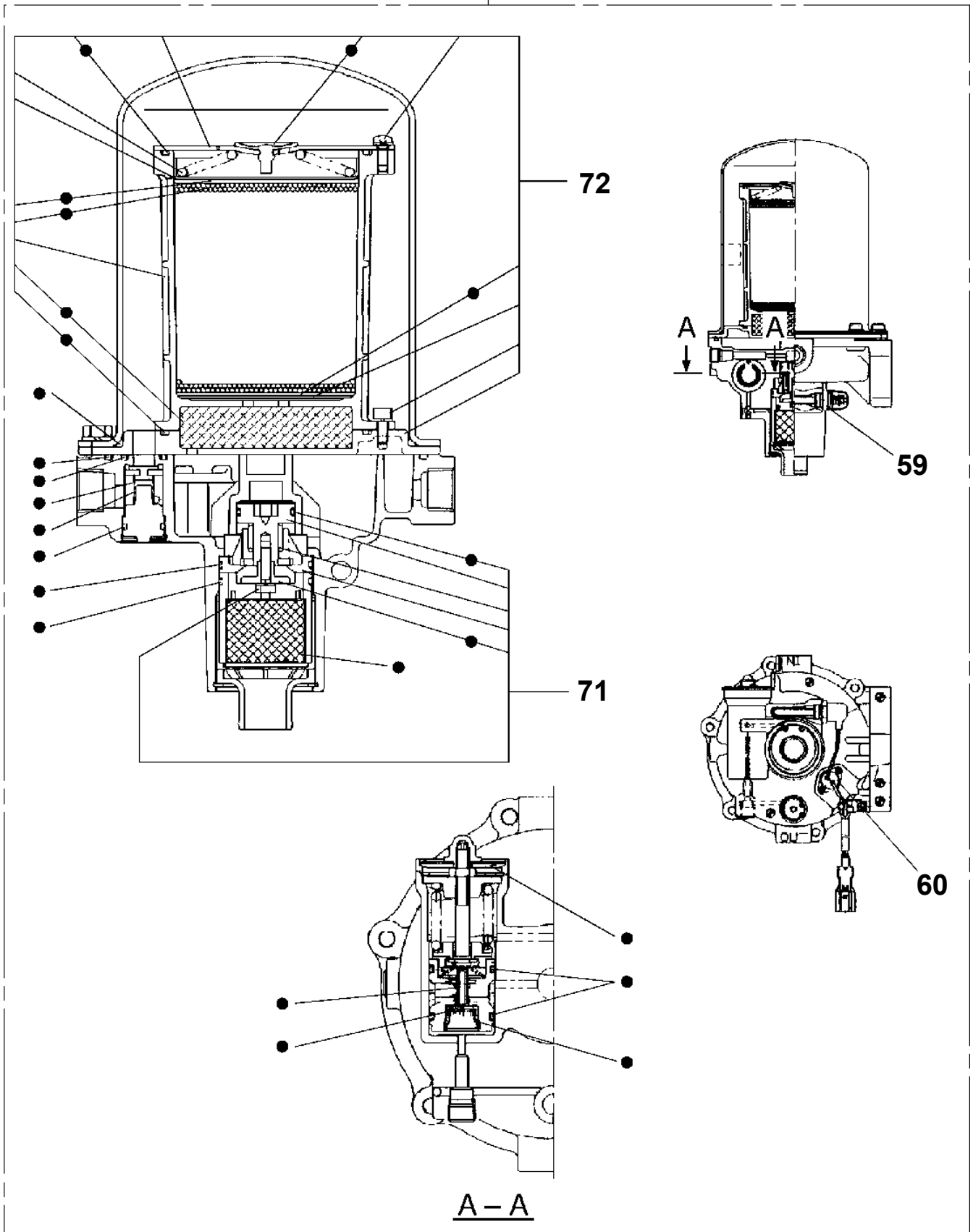


GR-1450E-3-00101 6 BOOM + 2 JIB(FIX), 2M2D

Pos No.	Parts No	Parts Name	Qty	Unit	Technical Data	Serial No (Start)	Serial No (End)	Remarks	Pages
1	36381975110	REPAIR KIT	1						
3	36381975170	CAM (KIT)	1						
4	36381975180	SLEEVE	2						
7	36381975210	BOLT	2						
8	36381975220	NUT	2						
9	36381975230	LEVER	1						
10	36382275040	BOLT	1						
11	36381975250	WASHER	1						
12	36381975260	WASHER	1						
14	36382275050	NUT	2						
51	36381975160	PAD KIT	1						
500	36381975060	BRAKE,PARKING	1						

GR-1450E-3-00101 6 BOOM + 2 JIB(FIX), 2M2D
PT1430009-00 DRIER,AIR

100



● : REPAIR KIT KEY NO 73

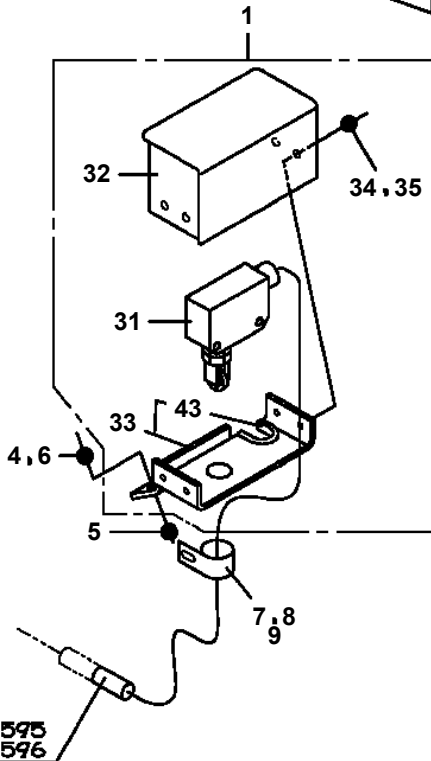
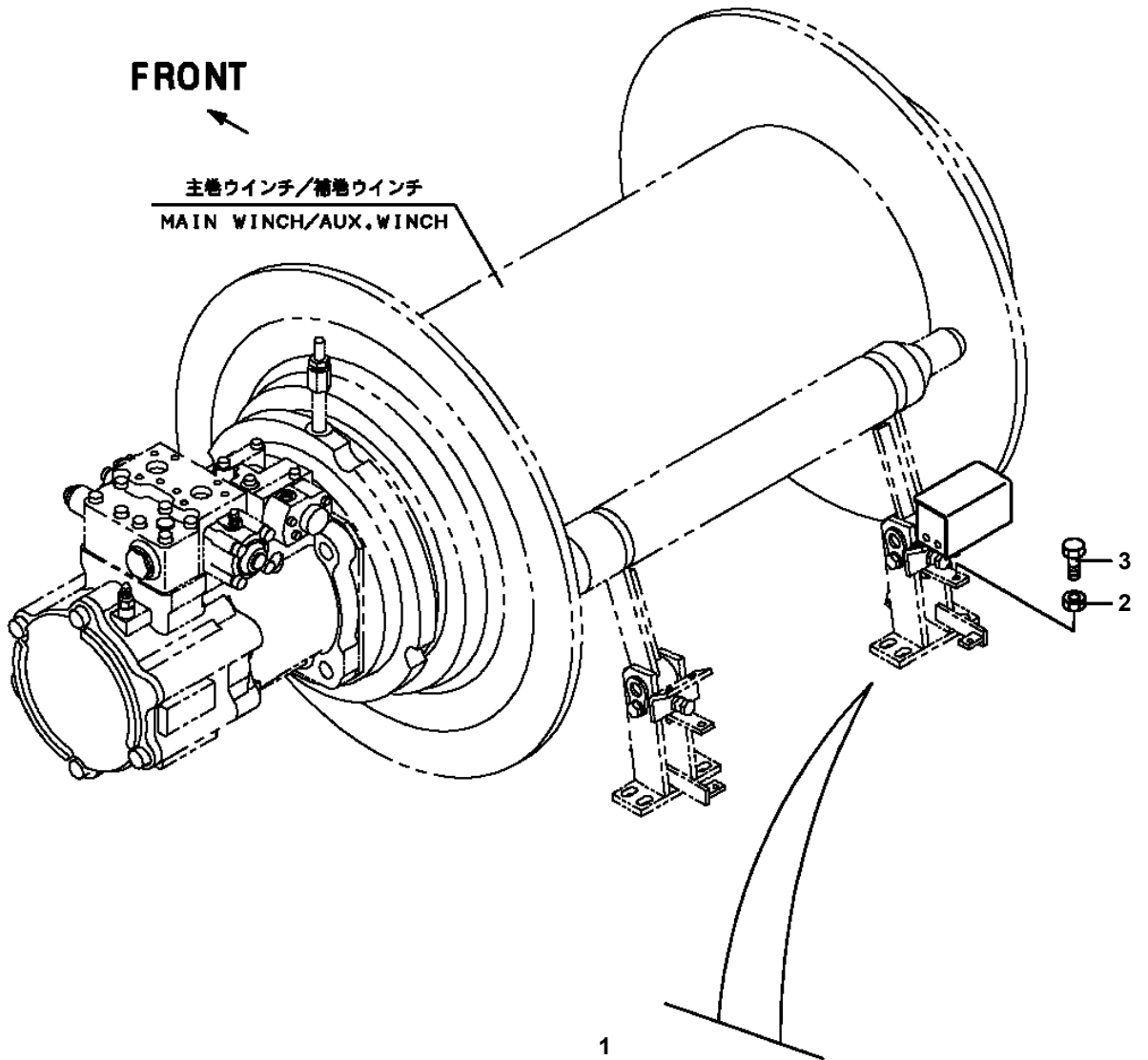
GR-1450E-3-00101 6 BOOM + 2 JIB(FIX), 2M2D

Pos No.	Parts No	Parts Name	Qty	Unit	Technical Data	Serial No (Start)	Serial No (E
1	36350705010	CLUTCH PACK,TRANSMISSION	1				
2	36350735010	CLUTCH PACK,TRANSMISSION	1				
4	36350735020	HOUSING (MISSION)	1				
5	36350725290	GASKET	1				
6	36350705030	COVER (HOUSING)	1				
7	36350705040	GASKET	1				
8	36350705050	HOUSING (FRONT)	1				
9	36350735030	SHAFT ASSY	1				
10	36350735070	VALVE,SOLENOID	2				
11	36370207290	FLANGE	1				
12	36350595070	SHAFT ASSY	1				
13	36350595080	GEAR (K)	1				
14	36350555130	GEAR (U)	1				
15	36350535150	SHAFT	1				
16	36350455140	FLANGE	2				
17	36350275130	SLEEVE (B)	1				
18	36370615120	SEAL,OIL	1				
19	36350456050	SEAL,OIL	1				
20	91067103500	O-RING	1		4E P35		
21	36370355130	WASHER	1				
22	90103516040	BOLT	3		M16X40		
23	36350265160	PIN	4		10X28		
24	36350555140	GEAR (W)	1				
25	36350705060	SHAFT	1				
26	36350705070	CASE (SPEEDOMETER)	1				
27	36350555170	GASKET	1				
28	36350555180	COVER	1				
29	36350725300	GASKET	2				
30	36350555200	COVER	1				
31	36350725310	GASKET	1				
32	36350555220	COVER	1				
33	36350535170	SEAL,OIL	2				
34	36350685060	SEAL,OIL	2				
35	36350535180	COVER (C)	1				
36	36350725320	GASKET	1				
37	80500006212	BEARING,BALL	1				
38	36350275220	BEARING,BALL	1				
39	36350685070	SWITCH	1				
40	36350265480	WASHER,SEAL	2				
41	36350445040	SENSOR	1				
42	80601110700	RING,RITAINING	4		S70		
43	80602111100	RING,RETAINING	1		110		
44	36350535190	BEARING,NEEDLE	1				
45	36350595090	SHROUD	1				
46	36350595100	PLATE	1				
47	36350265350	BEARING,BALL	1				
48	36350555230	SPACER	1				
49	36350685240	SPRING	1				
51	36350535230	BAR (SHIFT)	1				
52	36350455370	FORK (SHIFT)	1				
53	80720108040	PIN,SPRING	1		8X40		
54	36350275670	WASHER	2				
55	36350705080	COVER	1				
56	91067206000	O-RING	2		4E G60		
57	36350535240	PISTON	2				
58	91067101600	O-RING	2		P16		
59	36350535250	COLLAR	1				
60	36350265450	PACKING	2				
61	36350665010	BOLT	1				
62	36350535260	WASHER	2				
63	36350685090	O-RING	2				
64	36350555240	COVER	1				
65	36350555250	GASKET	1				

GR-1450E-3-00101 6 BOOM + 2 JIB(FIX), 2M2D
PU5010011-00 UNWIND CUTOUT ASSY

FRONT

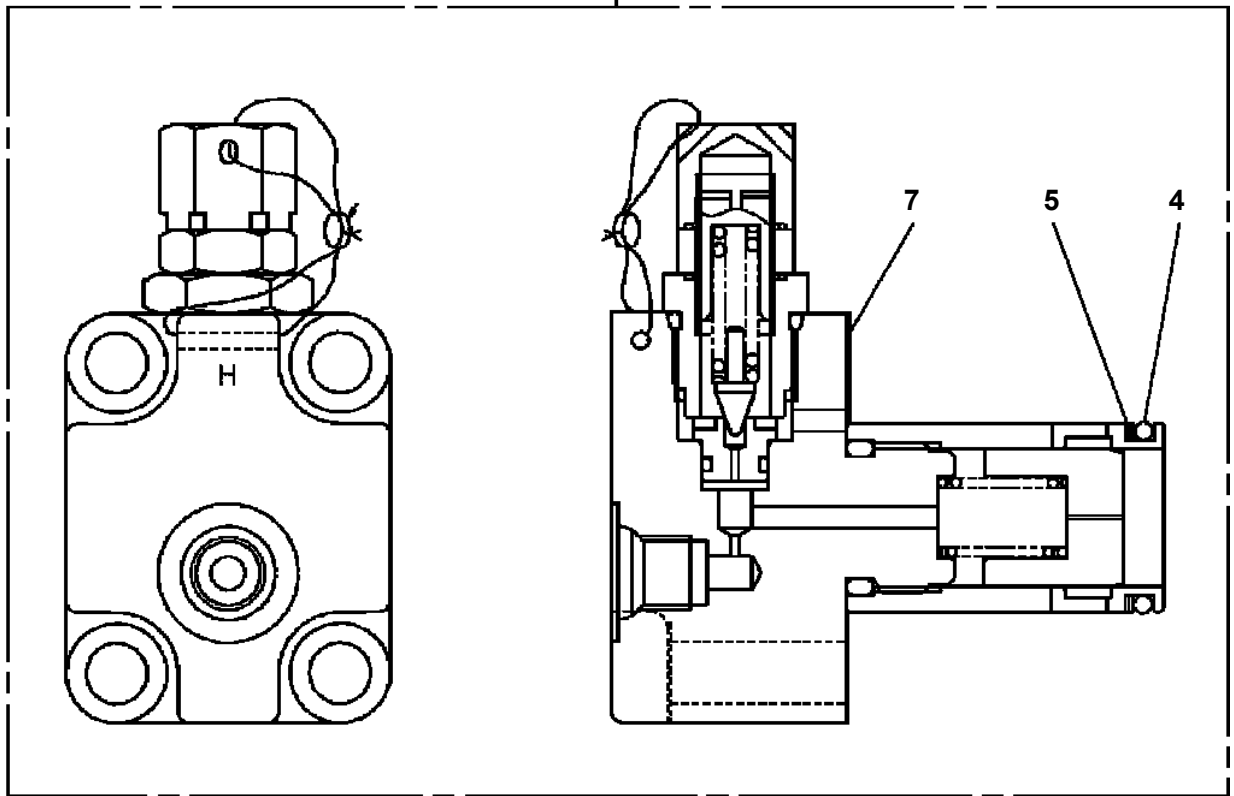
主巻ウインチ/補助ウインチ
MAIN WINCH/AUX. WINCH



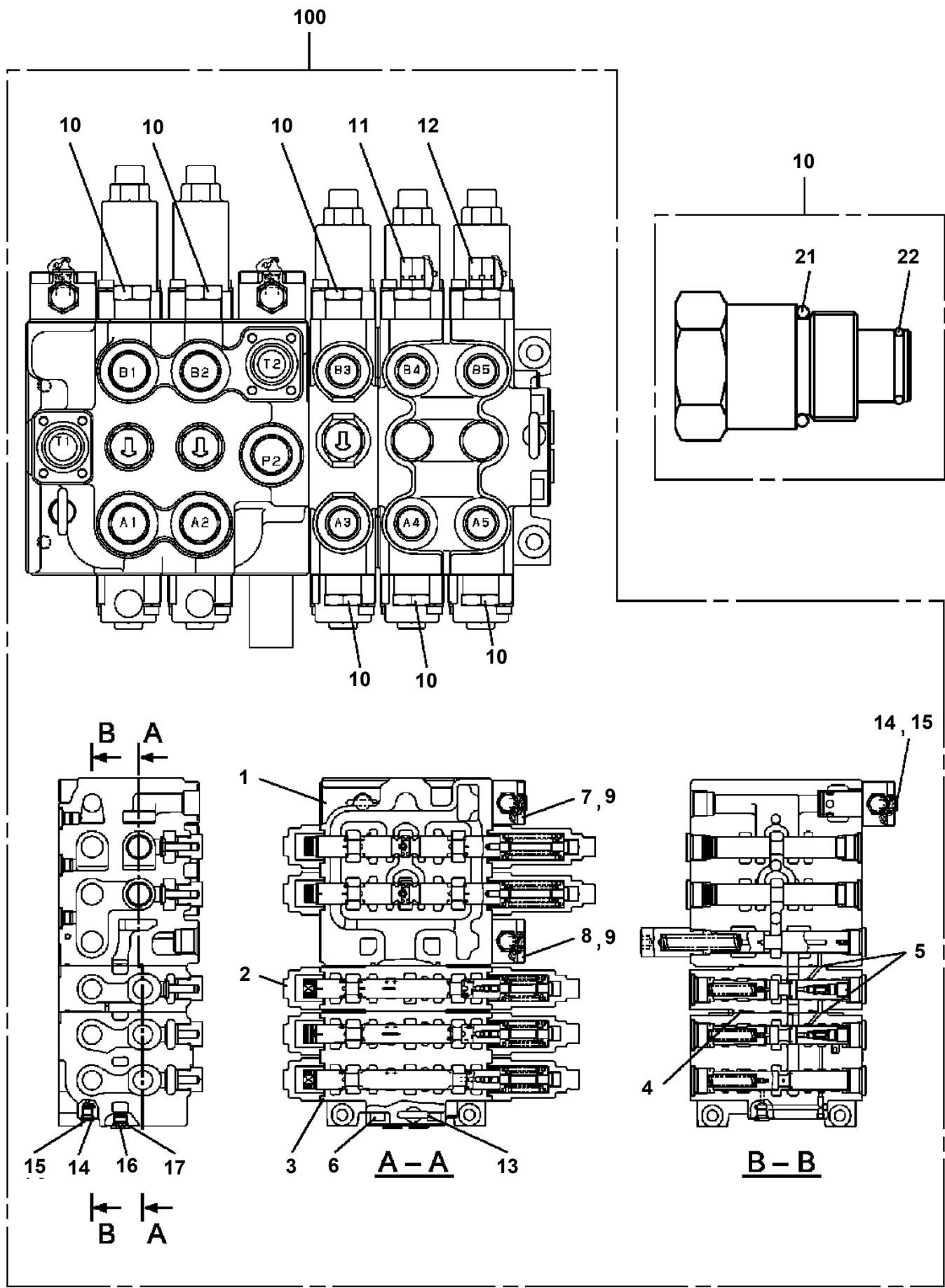
MAIN CN595
AUX. CN596

GR-1450E-3-00101 6 BOOM + 2 JIB(FIX), 2M2D
PV5140005-00 VALVE ASSY,RELIEF

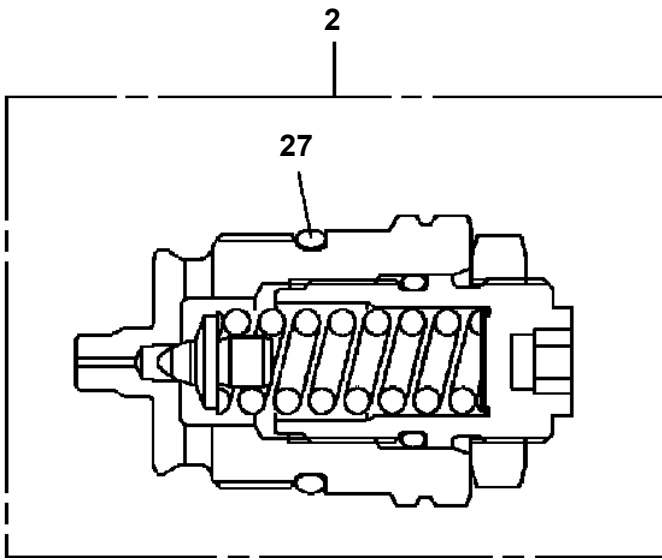
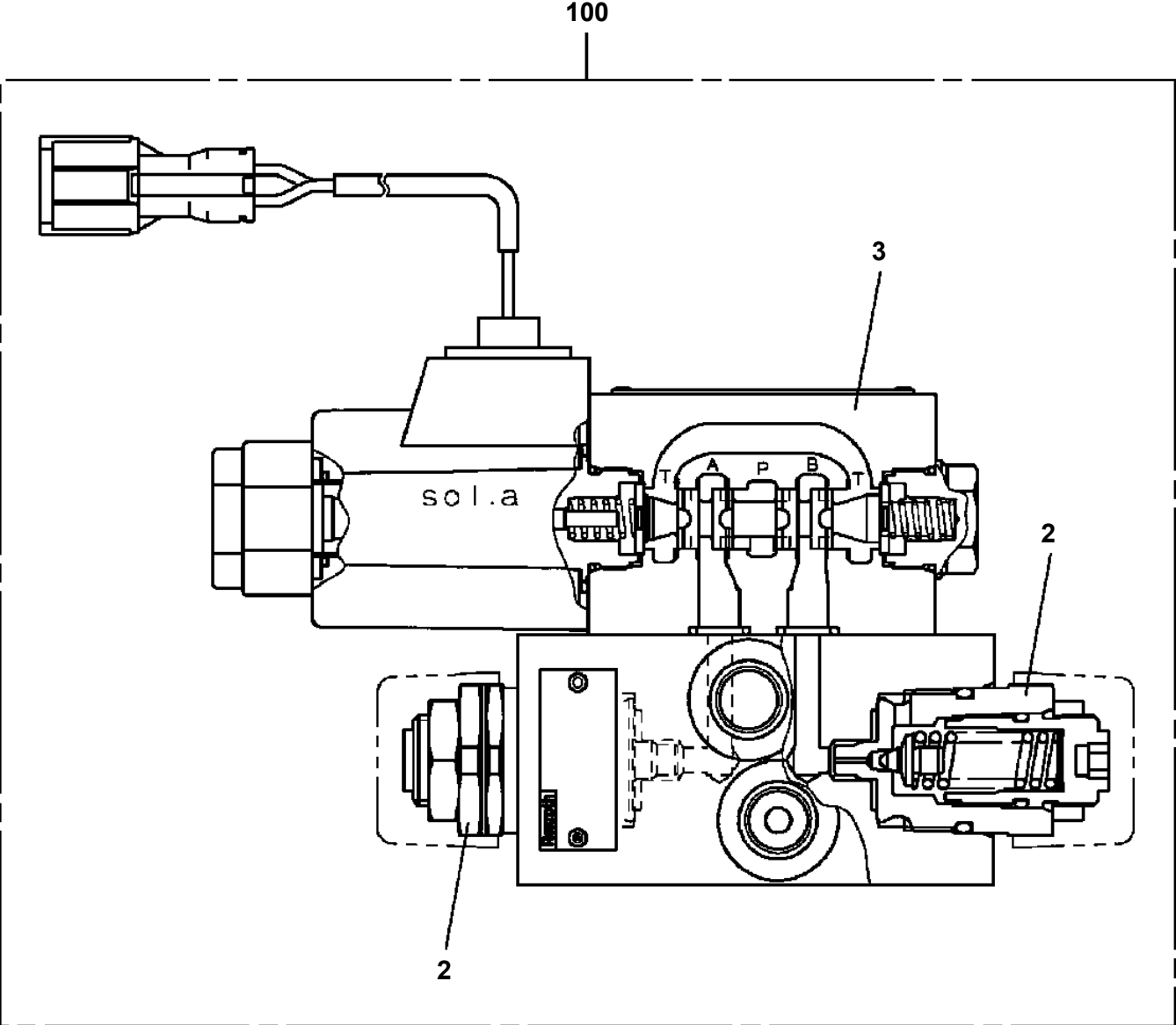
100



**GR-1450E-3-00101 6 BOOM + 2 JIB(FIX), 2M2D
PV5190007-00 VALVE ASSY,SELECTOR (PILOT CONT.)**

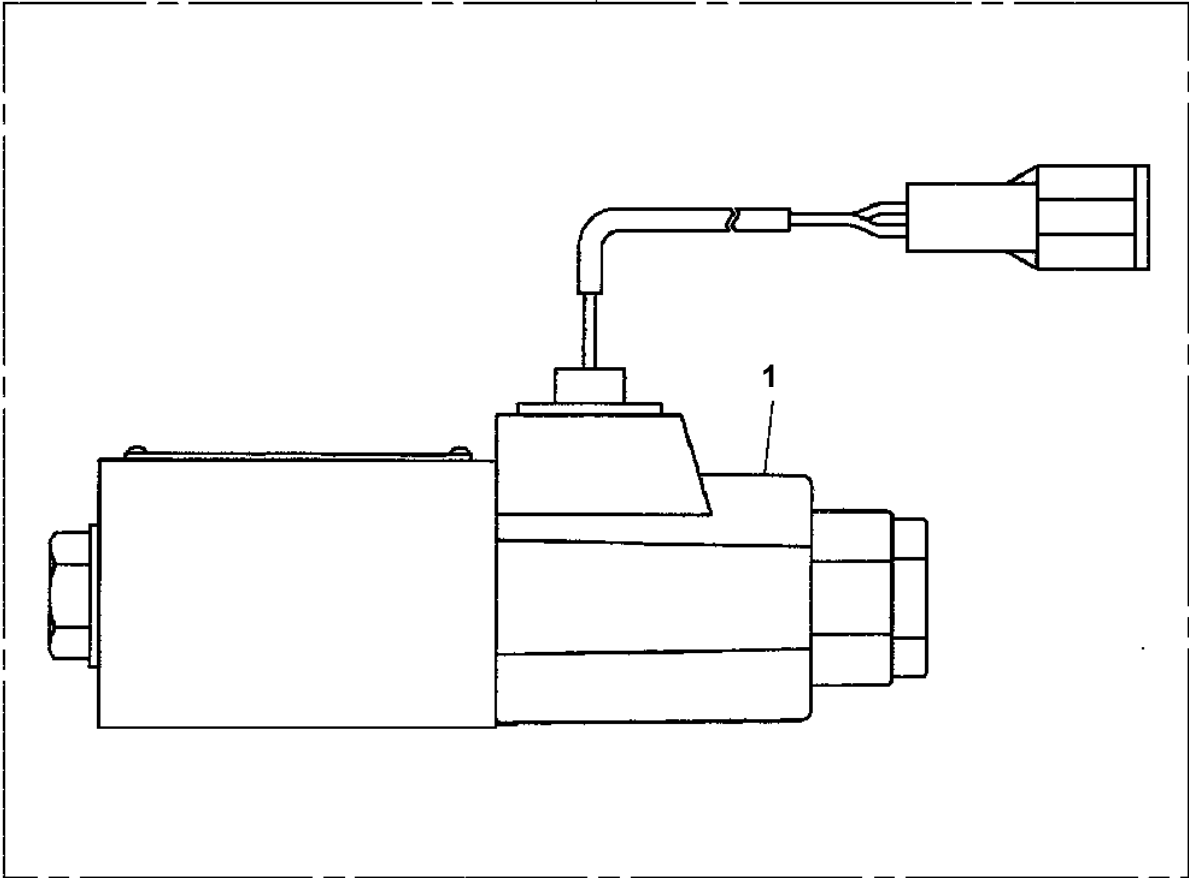


GR-1450E-3-00101 6 BOOM + 2 JIB(FIX), 2M2D
PV5240001-00 VALVE ASSY,SOLENOID

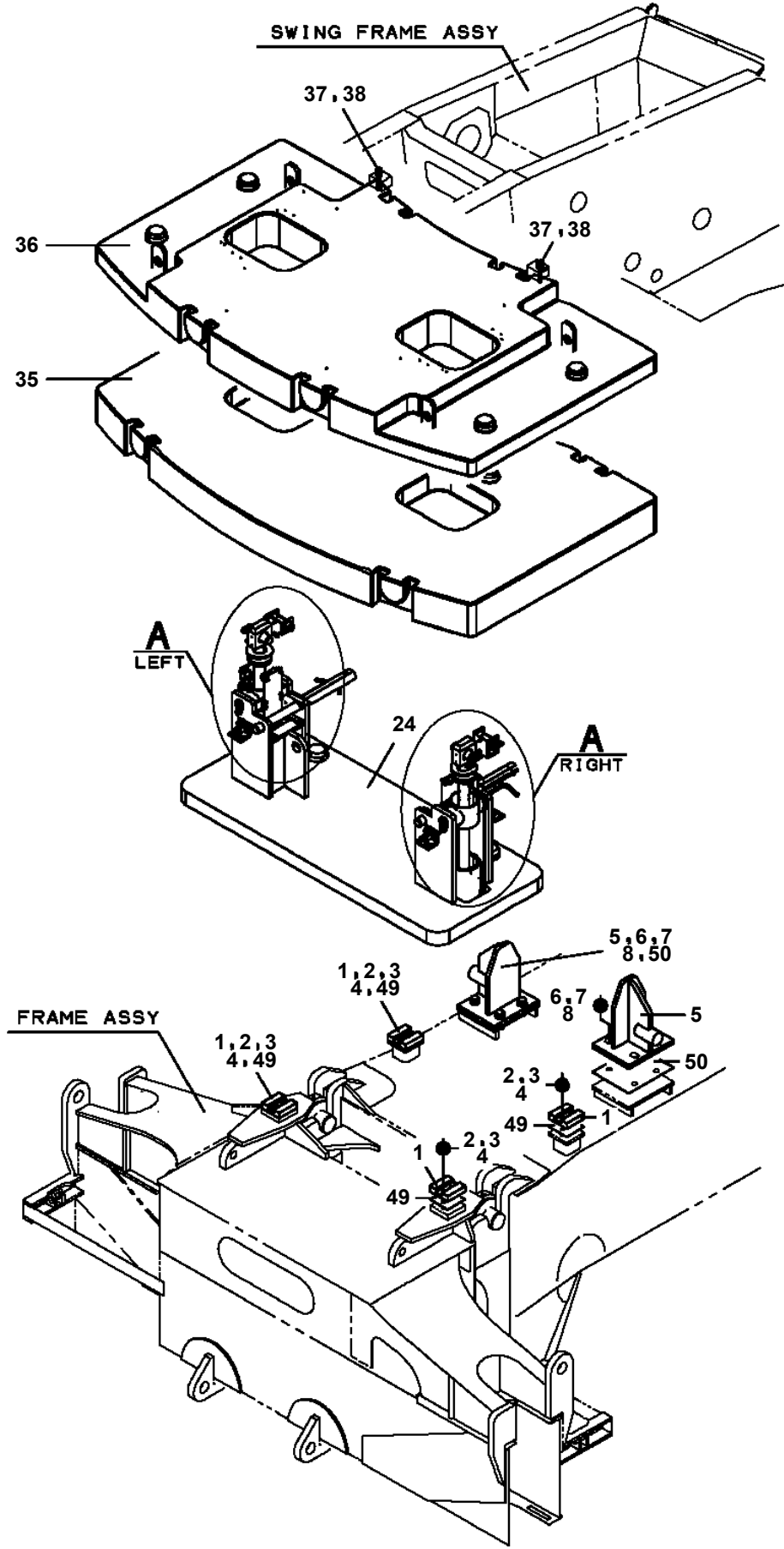


**GR-1450E-3-00101 6 BOOM + 2 JIB(FIX), 2M2D
PV5240030-00 VALVE ASSY,SOLENOID**

100



GR-1450E-3-00101 6 BOOM + 2 JIB(FIX), 2M2D
PW5020023-02 WEIGHT ASSY (18TON)



GR-1450E-3-00101 6 BOOM + 2 JIB(FIX), 2M2D

Pos No.	Parts No	Parts Name	Qty	Unit	Technical Data	Serial No (Start)	Serial No (End)	Remarks	P
1	37003901810	WHEEL,TIRE	1						
2	37003805150	TIRE (BS 26.5R25 VKT)	1						

GR-1450E-3-00101 6 BOOM + 2 JIB(FIX), 2M2D

Pos No.	Parts No	Parts Name	Qty	Unit	Technical Data	Serial No (Start)	Serial No (End)
1	34721421100	WHEEL,STEERING	1				
2	34721722101	COVER	1				
3	34721422201	COVER	1				
4	82100002051	CLAMP	1		WS-A55		
5	80182306010	SCREW,MACHINE	3		M6X10		
6	90302040601	WASHER,SPRING	3		6		
7	82100002039	CLAMP	2				
8	90209201200	NUT	1		M12		
9	90302041201	WASHER,SPRING	1		12		
10	90303071201	WASHER,PLAIN	1		12		
11	34722101500	SHAFT (STEERING)	1				
13	90302040501	WASHER,SPRING	4		5		
14	90131505020	BOLT,HEXAGON SOCKET	4		M5X20		
15	90303070501	WASHER,PLAIN	4		5		
16	34720912600	SHIM	1				
18	90201200500	NUT	4		M5		
19	34720911200	SWITCH ASSY (COMBINATION)	1				
20	90982050145	SCREW,TAPPING	6				
21	80192488016	SCREW,MACHINE	1		M8X16		
22	80192486014	SCREW,MACHINE (WITH WASHER)	2		M6X14		

GR-1450E-3-00101 6 BOOM + 2 JIB(FIX), 2M2D

Pos No.	Parts No	Parts Name	Qty	Unit	Technical Data	Serial No (Start)	Serial No (E
1	14128208000	RING	4				
2	34370050250	WEIGHT (CAST)	1				
	33370090010	WEIGHT (PLATE WORKING)	1				
3	37002900040	SHACKLE ASSY	4				
4	37000117960	PIN	1				
5	82100002003	CLAMP	1				
6	34372862100	SWITCH	1				
7	82400000324	RING	1				
8	37001901460	ROPE,WIRE	1				
9	37001900820	WIRE	1		L=1440		
10	37001905550	ROPE,WIRE	2		L=925		
11	82100001801	TUBE,CORRUGATE	1	M	7		
100	34372862000	WEIGHT (JIB,SINGLETOP/WITH SWITCH)	1				

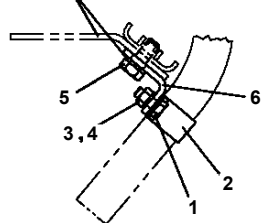
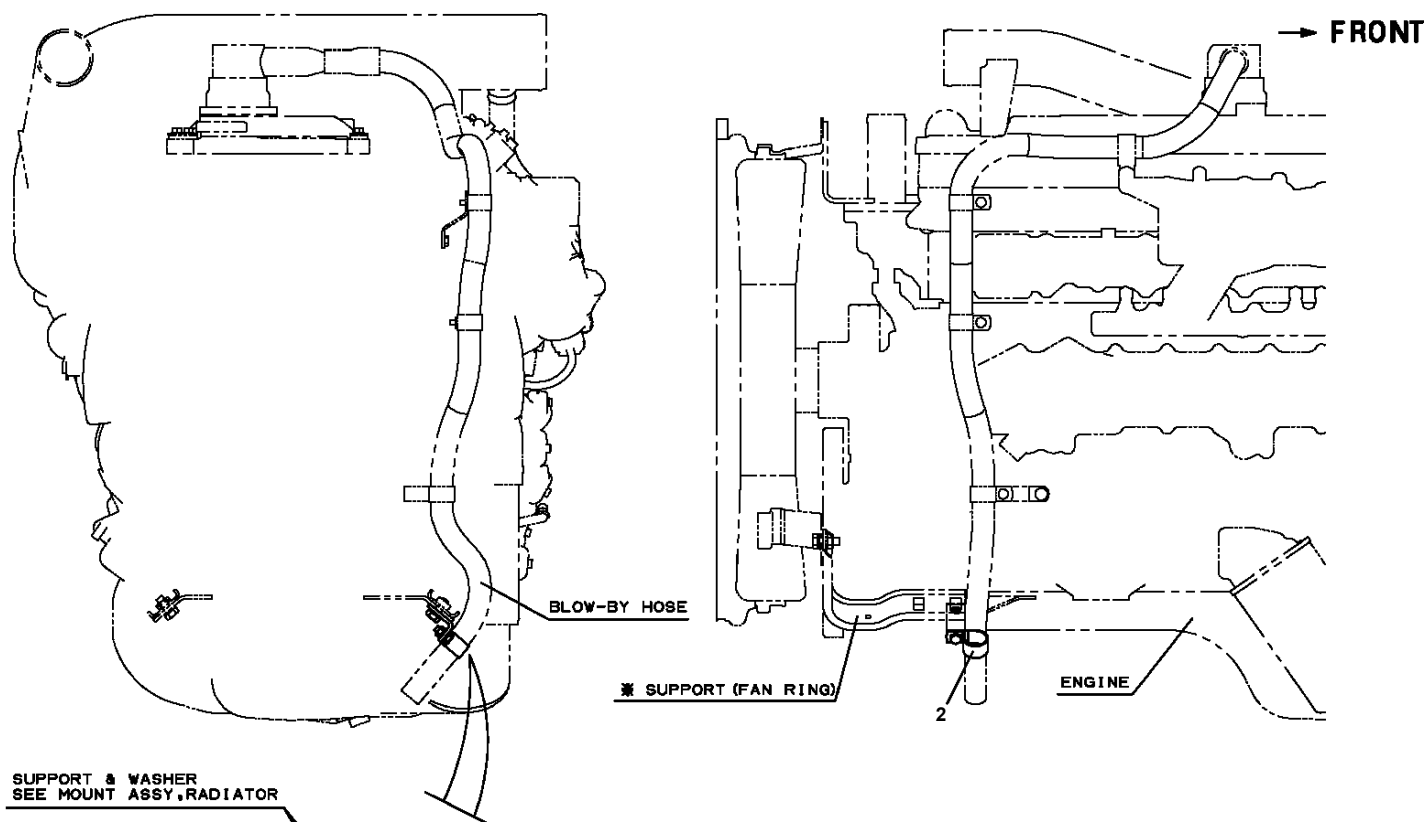
GR-1450E-3-00101 6 BOOM + 2 JIB(FIX), 2M2D

Pos No.	Parts No	Parts Name	Qty	Unit	Technical Data	Serial No (Start)	Serial No (End)	Re
1	36654900000	PUMP ASSY,OIL (JACK CENTER)	1					
2	34590612100	SUPPORT	1					
3	90186208025	BOLT,FLANGE	3		M8X25			
4	90101506025	BOLT	8					
5	37002012320	PLATE,SLIDE	2					
6	37000577630	PLATE	N		T=1			
7	90303070801	WASHER,PLAIN	11		8			
8	37000130070	PIN	2					
9	37000201100	PIN,SNAP	2					
10	90201200800	NUT	3		M8			

GR-1450E-3-00101 6 BOOM + 2 JIB(FIX), 2M2D

Pos No.	Parts No	Parts Name	Qty	Unit	Technical Data	Serial No (Start)	Se
1	34511311100	SUPPORT	1				
2	36663440003	MOTOR,HYDRAULIC	1				
3	36741500000	VALVE,SOLENOID	1				
4	36624530000	VALVE,CHECK	1				
5	80471020504	JOINT	4		HL205-04		
6	91002801800	O-RING	5		1B P18		
7	37002402230	HOSE	2		L=475		
9	80441010906	FITTING	1				
10	90303071201	WASHER,PLAIN	2		12		
11	90302041201	WASHER,SPRING	4		12		
12	90101212020	BOLT	3		M12X20		
13	90186208025	BOLT,FLANGE	4		M8X25		
14	90302041001	WASHER,SPRING	4		10		
15	90101210060	BOLT	2		M10X60		
16	90302040601	WASHER,SPRING	11		6		
17	90201200600	NUT	8		M6		
18	90303071001	WASHER,PLAIN	4		10		
19	90101210035	BOLT	2		M10X35		
20	90201201000	NUT	2		M10		
21	90303070801	WASHER,PLAIN	1		8		
22	90302040801	WASHER,SPRING	2		8		
23	90101508020	BOLT	1		M8X20		
24	90101506020	BOLT	3		M6X20		
25	90303070601	WASHER,PLAIN	3		6		
26	90101508025	BOLT	1		M8X25		
27	90101212025	BOLT	1		M12X25		
41	91002801400	O-RING	1		1B P14		
101	36320838020	ACCESSORY LIST (AIR CONDITIONER,COMPANY)	1				

**GR-1450E-3-00101 6 BOOM + 2 JIB(FIX), 2M2D
PX5560035-01 MOUNT ASSY,POWER TRAIN (BLOWBY HOSE)**



※は「検索」機能の「部品名称」より「フソ クヒンリスト (ラジ エータ)」で検索 (半角カナ) してください。
FOR THE PART ※, GO TO "PART NAME" IN "SEARCH" MENU AND SEARCH IN "ACCESSORY LIST (RADIATOR)".

GR-1450E-3-00101 6 BOOM + 2 JIB(FIX), 2M2D

Pos No.	Parts No	Parts Name	Qty	Unit	Technical Data	Serial No (Start)	Serial No (End)	Remarks	Pages
1	34762113200	SUPPORT	1						
2	34762033200	SUPPORT	1						
3	90171112025	BOLT	6		M12X25				
4	90302041201	WASHER,SPRING	6		12				
5	90303503005	WASHER,PLAIN	68		30				
6	37001508010	BOLT	56		M30X215				
7	37001504030	BOLT	12		M30X175				
8	90171110030	BOLT	6		M10X30				
9	90303501005	WASHER,PLAIN	6		10				

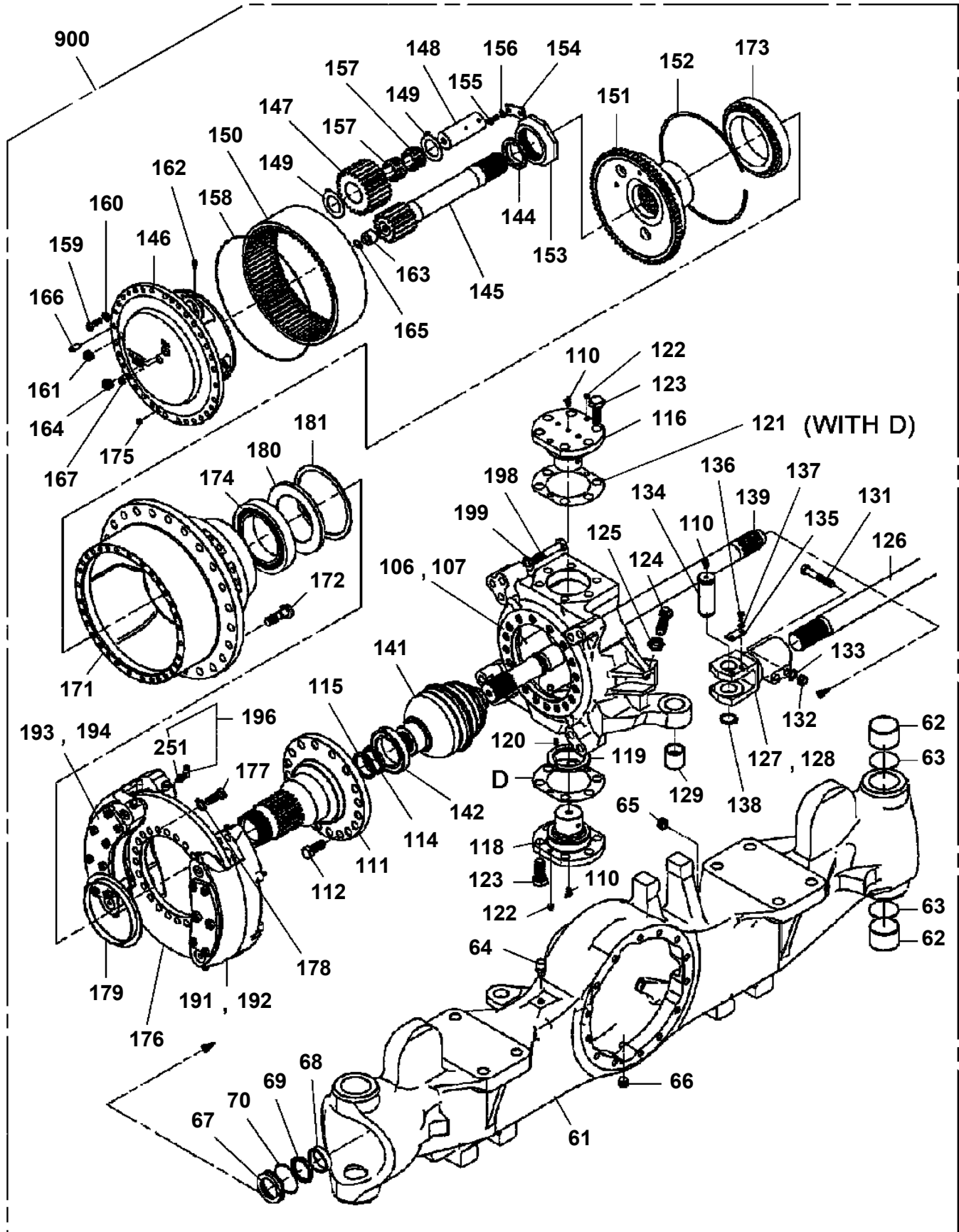
GR-1450E-3-00101 6 BOOM + 2 JIB(FIX), 2M2D

Pos No.	Parts No	Parts Name	Qty	Unit	Technical Data	Serial No (Start)	Serial No (End)	Remarks	P
3	34260957870	SUPPORT (SUN VISOR)	1						
5	34260957880	SUPPORT (SUN VISOR)	1						
100	34260954500	SUN VISOR (FRONT)	1						

GR-1450E-3-00101 6 BOOM + 2 JIB(FIX), 2M2D

Pos No.	Parts No	Parts Name	Qty	Unit	Technical Data	Serial No (Start)	Serial N
1	36320562061	HOSE (DUCT)	2		L=900		
2	36320562081	HOSE (CUFF)	1				
3	36320562090	NOZZLE (END)	2				
4	36320562100	NOZZLE	2				
5	36320562110	DUCT (FOOT)	1				
6	36320762130	SWITCH ASSY (CONTROL PANEL)	1				
7	(*****)	EVAPORATOR ASSY	1				
8	36320562140	DUCT (FLANGE)	1				
9	36320562150	DUCT	1				
10	36320562160	FILTER	1				
11	36320762200	HARNES (MAIN A)	1				
12	36320562240	HOSE (DRAIN)	2		L=200		
13	36320762250	CLAMP (DRAIN HOSE)	2		13.8		
14	36320452130	DUCT (LOUVER)	3				
15	36320562270	CLIP (CANONE)	2				
100	36320768010	AIR CONDITIONER ASSY (CAB ASSY PARTS)	1				

GR-1450E-3-00101 6 BOOM + 2 JIB(FIX), 2M2D
 PY5330022-01 AXLE ASSY (1ST)



展開図有
 ILLUSTRATED BREAKDOWN NO.191, 192, 193, 194

CLICK HERE TO **DOWNLOAD** THE COMPLETE MANUAL

- Thank you very much for reading the preview of the manual.
- You can download the complete manual from: www.heydownloads.com by clicking the link below



- Please note: If there is no response to CLICKING the link, please download this PDF first and then click on it.

CLICK HERE TO **DOWNLOAD** THE COMPLETE MANUAL