

**AT-80-2 42006231100 LOWER,HINO BDG-XZU308M-TQMMB6**

PB3000079-00 POWER UNIT  
PO1000149-00 INDICATION PLATES  
PX2000837-00 CARRIER UNIT  
PX3000295-00 MOUNTING UNIT  
PY1001150-00 OPTIONS  
ASSEMBLY

CLICK HERE TO **DOWNLOAD** THE COMPLETE MANUAL

- Thank you very much for reading the preview of the manual.
- You can download the complete manual from: [www.heydownloads.com](http://www.heydownloads.com) by clicking the link below



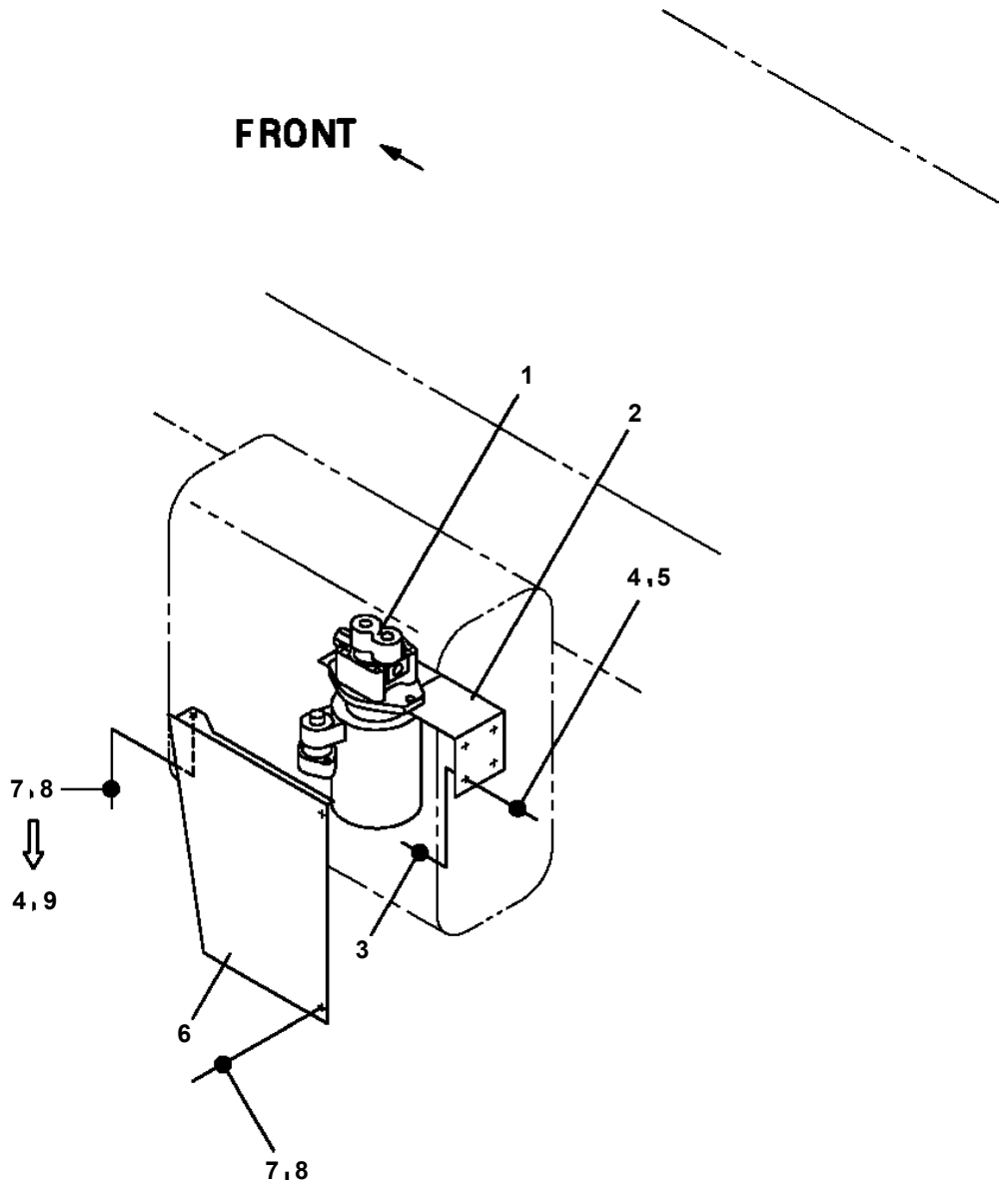
- Please note: If there is no response to CLICKING the link, please download this PDF first and then click on it.

CLICK HERE TO **DOWNLOAD** THE COMPLETE MANUAL

# AT-80-2 42006231100 LOWER,HINO BDG-XZU308M-TQMMB6

Pos No.	Parts No	Parts Name	Qty	Unit	Technical Data	Serial No (Start)	S
2	(*****)	COVER (SAFETY CONE STOWING)	1				
3	(*****)	ELEC.ASSY	1				
4	(*****)	VIEW SYSTEM (HINO.TOYOTA/COLOR:ST-900)	1				
5	(*****)	WOOD BLOCK (LARGE-SIZE)	1				
6	(*****)	SUPPORT (WOOD BLOCK & WEDGE:WITH STOPPER)	1				
8	(*****)	SUPPORT	1				
	(*****)	SUPPORT	1				
9	(*****)	INDICATOR,LAMP (WORKING)	1				
10	(*****)	PLATE ASSY,NAME	1				
11	(*****)	INTERLOCK	1				
	(*****)	INTERLOCK	1				
13	(*****)	REEL,CORD (EARTH)	1				

**AT-80-2 42006231100 LOWER,HINO BDG-XZU308M-TQMMB6  
PB1100222-01 PUMP,HYDRAULIC (EMERGENCY)**



**AT-80-2 42006231100 LOWER,HINO BDG-XZU308M-TQMMB6**

Pos No.	Parts No	Parts Name	Qty	Unit	Technical Data	Serial No (Start)	Serial No (End)	Remarks	Pages
1	42970121000	SUPPORT ASSY	1						
2	42970122000	SUPPORT ASSY	1						
11	42970121100	SUPPORT	1						
12	90101208030	BOLT	2		M8X30				
13	90201200800	NUT	4		M8				
14	90303070801	WASHER,PLAIN	6		8				
15	42970121300	SUPPORT	1						
16	90306000080	WASHER (WAVE)	2		WW8				
17	32471663300	BOLT,WING	2						
18	90203201000	NUT	4		M10				
21	42970122100	SUPPORT	1						
25	42970122300	SUPPORT	1						

**AT-80-2 42006231100 LOWER,HINO BDG-XZU308M-TQMMB6**

Pos No.	Parts No	Parts Name	Qty	Unit	Technical Data	Serial No (Start)	Serial No (End)	Remarks
2	42739697510	CABLE ASSY	1					
3	42739697540	CABLE ASSY	1					
4	42739697520	CLIP	1					
5	42739697530	REMOTE CONTROL ASSY	1					
100	42739693110	DISPLAY	1					

# AT-80-2 42006231100 LOWER,HINO BDG-XZU308M-TQMMB6

Pos No.	Parts No	Parts Name	Qty	Unit	Technical Data	Serial No (Start)	Serial No (End)	Remarks	Pages
11	82182809623	DIODE	1						
100	42934660101	HARNESS	1						

# AT-80-2 42006231100 LOWER,HINO BDG-XZU308M-TQMMB6

Pos No.	Parts No	Parts Name	Qty	Unit	Technical Data	Serial No (Start)	Serial No (End)	Remarks	Pages
100	42970380800	HARNESS	1						

CLICK HERE TO **DOWNLOAD** THE COMPLETE MANUAL

- Thank you very much for reading the preview of the manual.
- You can download the complete manual from: [www.heydownloads.com](http://www.heydownloads.com) by clicking the link below



- Please note: If there is no response to CLICKING the link, please download this PDF first and then click on it.

CLICK HERE TO **DOWNLOAD** THE COMPLETE MANUAL

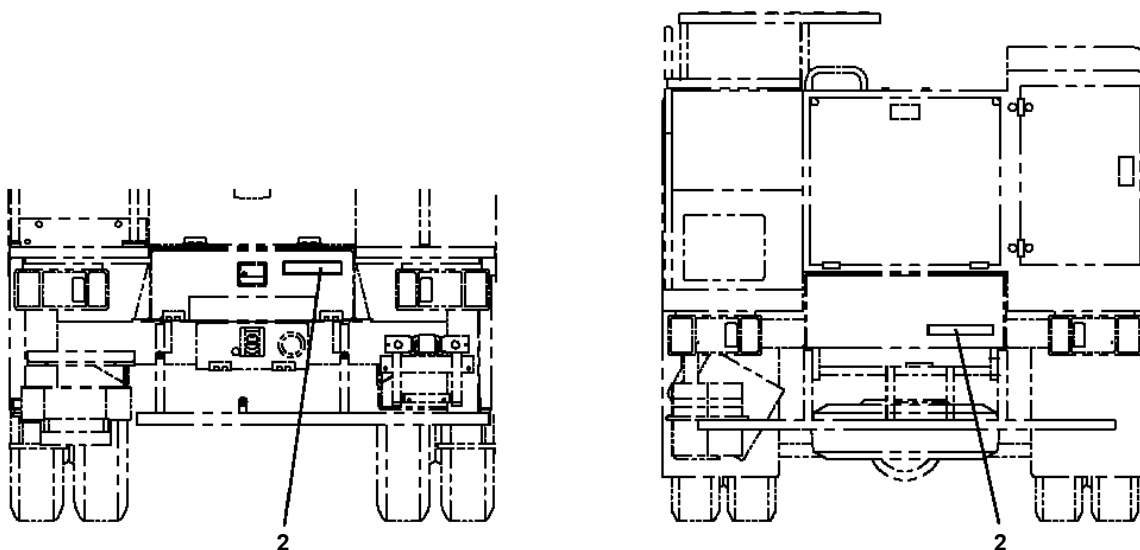
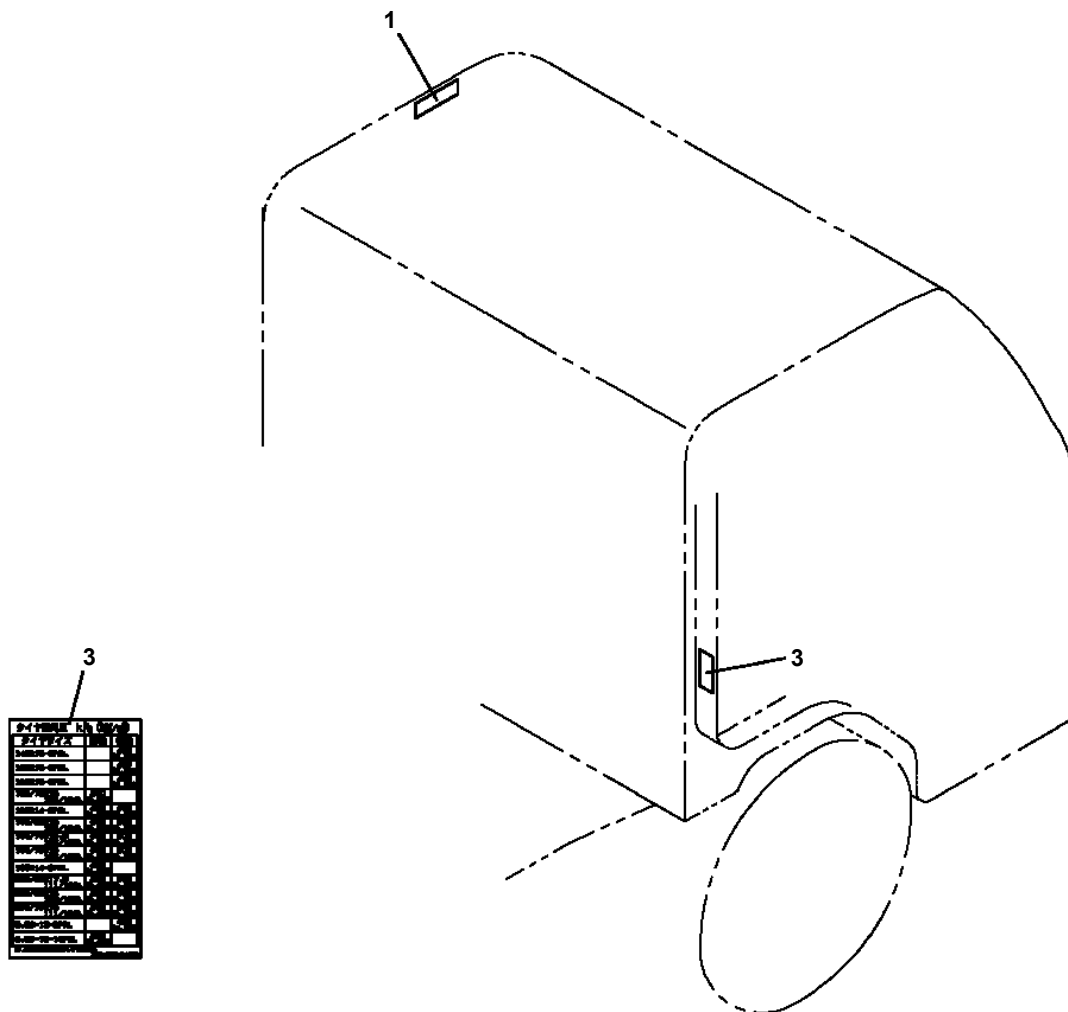
**AT-80-2 42006231100 LOWER,HINO BDG-XZU308M-TQMMB6**

Pos No.	Parts No	Parts Name	Qty	Unit	Technical Data	Serial No (Start)	Serial No (End)	Remarks	Pages
1	42897271000	COVER	1						
2	90180208016	BOLT,BUTTON	6		M8X16				
3	90302040801	WASHER,SPRING	6		8				
4	37000547660	PLATE	6		T=2.3				

# AT-80-2 42006231100 LOWER,HINO BDG-XZU308M-TQMMB6

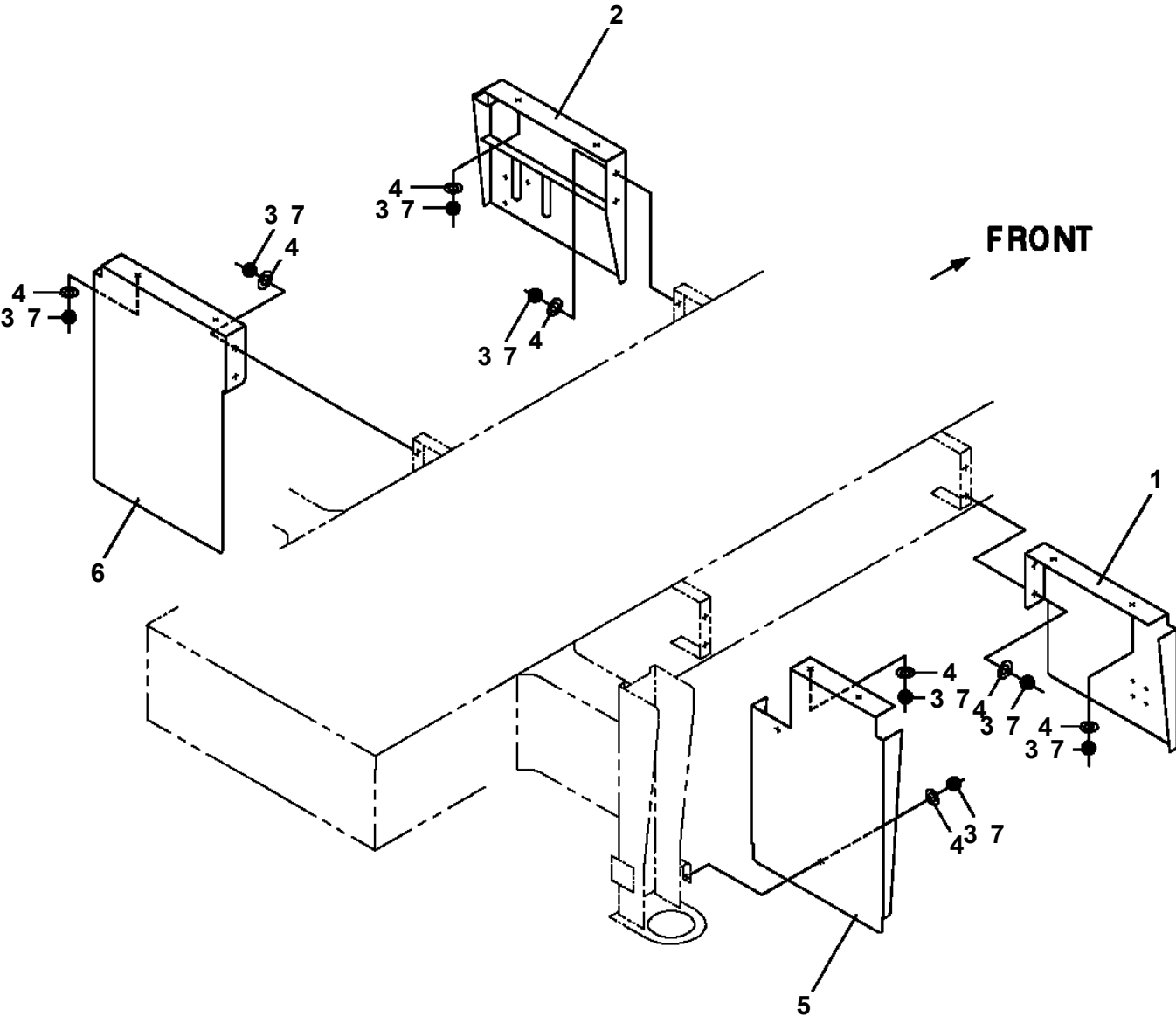
Pos No.	Parts No	Parts Name	Qty	Unit	Technical Data	Serial No (Start)	Serial No (End)	Remarks	P
1	(*****)	HOUR METER	1						00
2	42934660100	HARNESS	1				HH5153		00
	42934660101	HARNESS	1			HH5154			00
3	91810132530	FASTENER	30						
4	82100002596	RELAY	2						
5	91850400601	CLAMP	1						
6	37002707890	CABLE	1		L=550				
7	90303070801	WASHER,PLAIN	1		8				
8	90280200800	NUT,FLANGE	1		M8				
9	42650860050	CABLE ASSY	1		L=1500				
10	42650680600	CAP	1						
11	82100001802	TUBE,CORRUGATE	2	M	10				
12	42350250070	PLUG (2 POLES,MALE)	1						

**AT-80-2 42006231100 LOWER,HINO BDG-XZU308M-TQMMB6  
 PO1014380-02 PLATE ASSY,NAME (VEHICLE HEIGHT, TIRE AIR PRESSURE)**

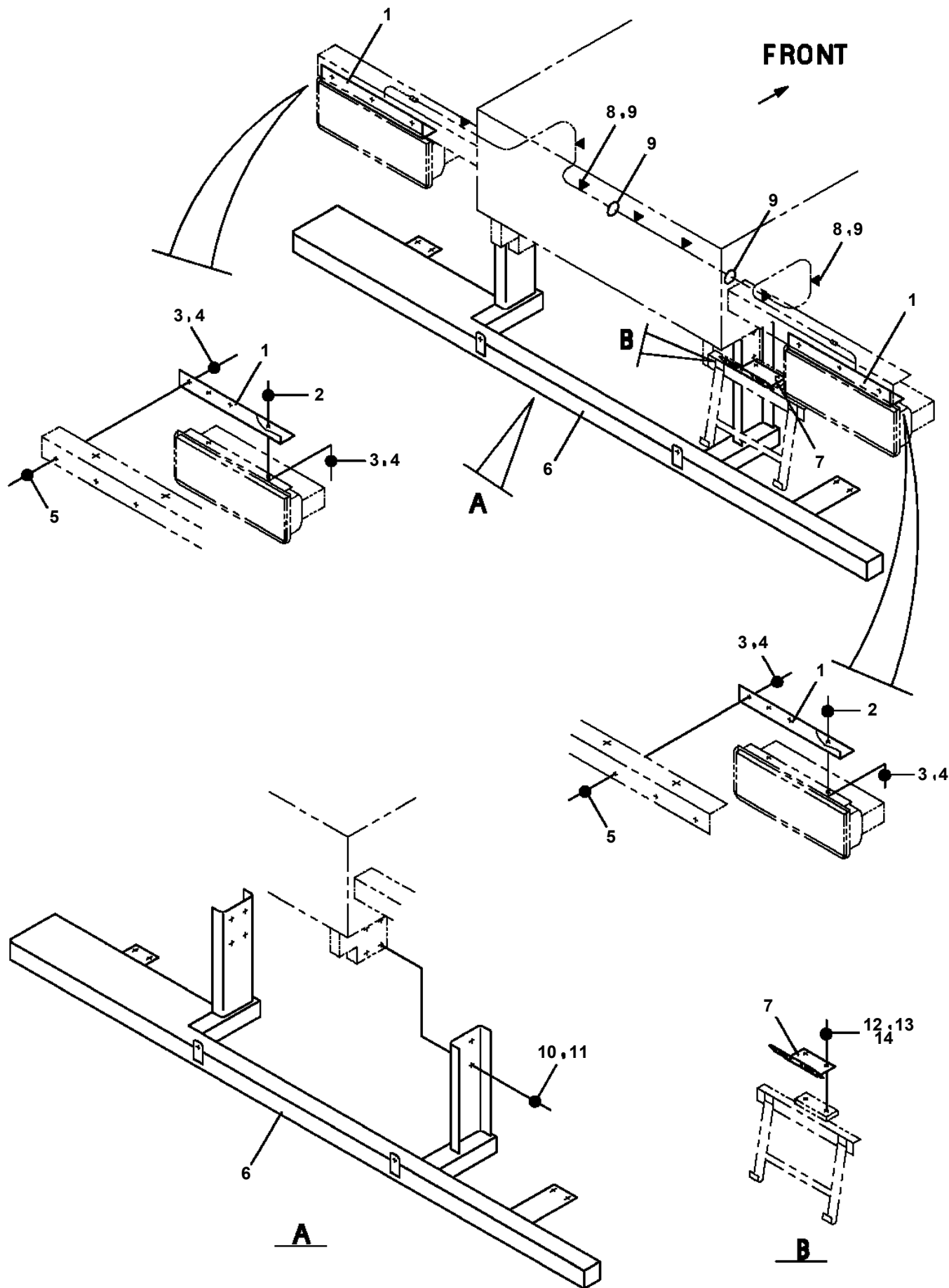


AT-80-3の場合

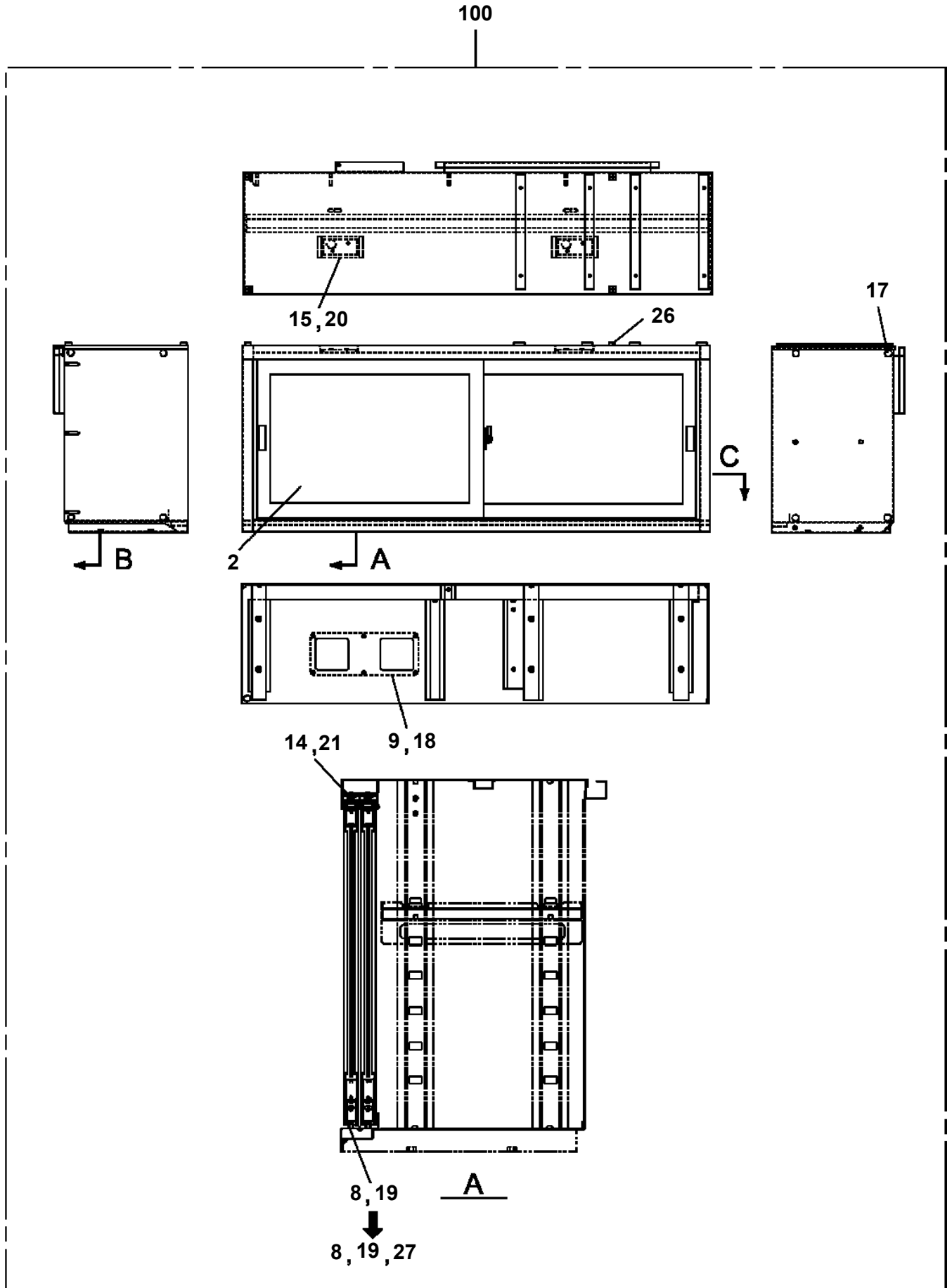
AT-80-2 42006231100 LOWER,HINO BDG-XZU308M-TQMMB6  
PX1210097-00 GUARD



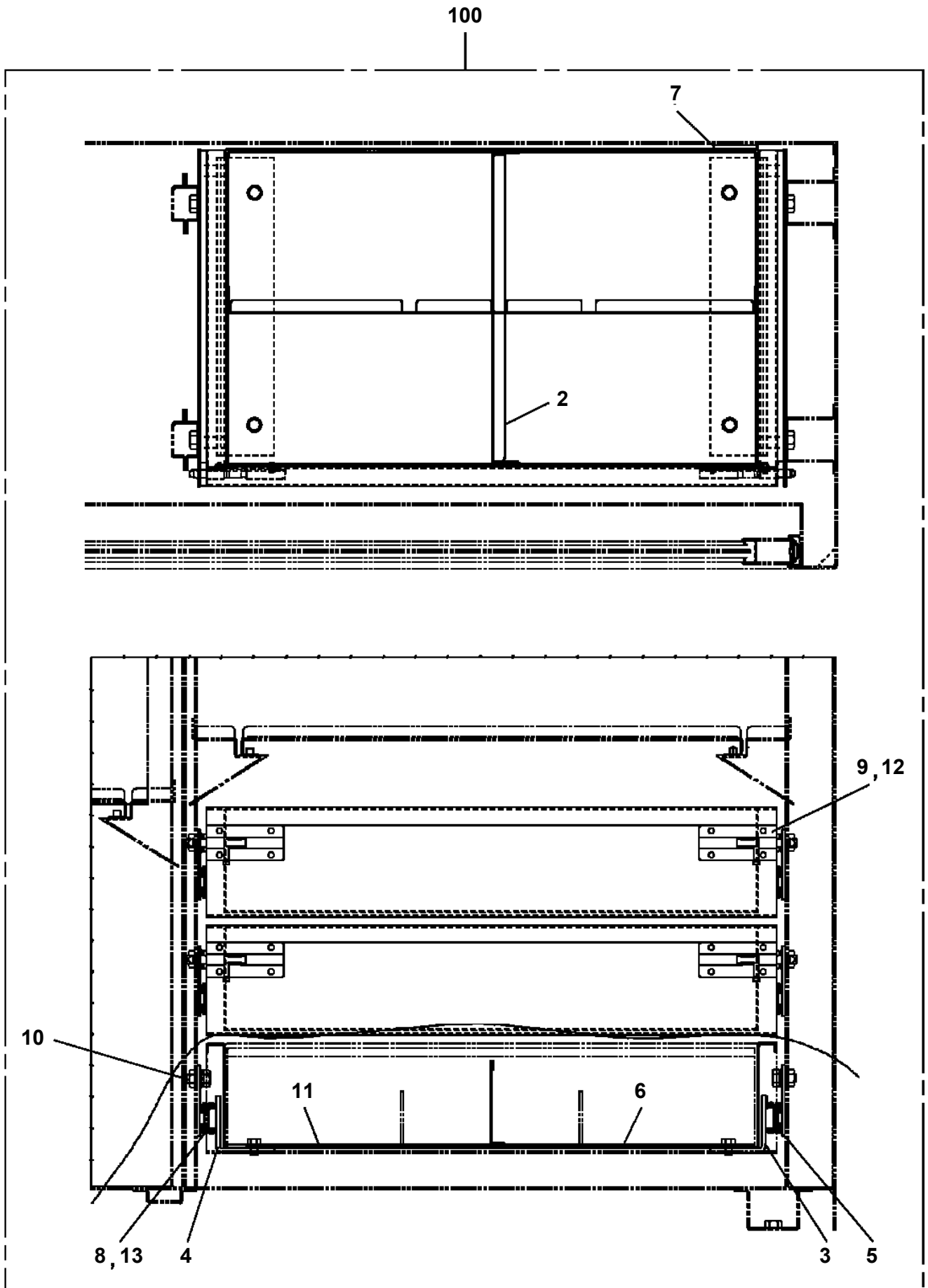
AT-80-2 42006231100 LOWER, HINO BDG-XZU308M-TQMMB6  
PX1310290-00 MOUNT, LAMP (TAIL)



AT-80-2 42006231100 LOWER, HINO BDG-XZU308M-TQMMB6  
PX1350777-01 BOX, TOOL



AT-80-2 42006231100 LOWER,HINO BDG-XZU308M-TQMMB6  
PX1351011-00 BOX,TOOL



CLICK HERE TO **DOWNLOAD** THE COMPLETE MANUAL

- Thank you very much for reading the preview of the manual.
- You can download the complete manual from: [www.heydownloads.com](http://www.heydownloads.com) by clicking the link below



- Please note: If there is no response to CLICKING the link, please download this PDF first and then click on it.

CLICK HERE TO **DOWNLOAD** THE COMPLETE MANUAL