

**AT-270-2 42083210100 LOWER,NISSAN DIESEL KK-MK212DB H2A**

PB3000216-00 POWER UNIT  
PO1000123-00 INDICATION PLATES  
PX2000070-00 CARRIER UNIT  
PX3000081-01 MOUNTING UNIT  
ASSEMBLY

CLICK HERE TO **DOWNLOAD** THE COMPLETE MANUAL

- Thank you very much for reading the preview of the manual.
- You can download the complete manual from: [www.heydownloads.com](http://www.heydownloads.com) by clicking the link below



- Please note: If there is no response to CLICKING the link, please download this PDF first and then click on it.

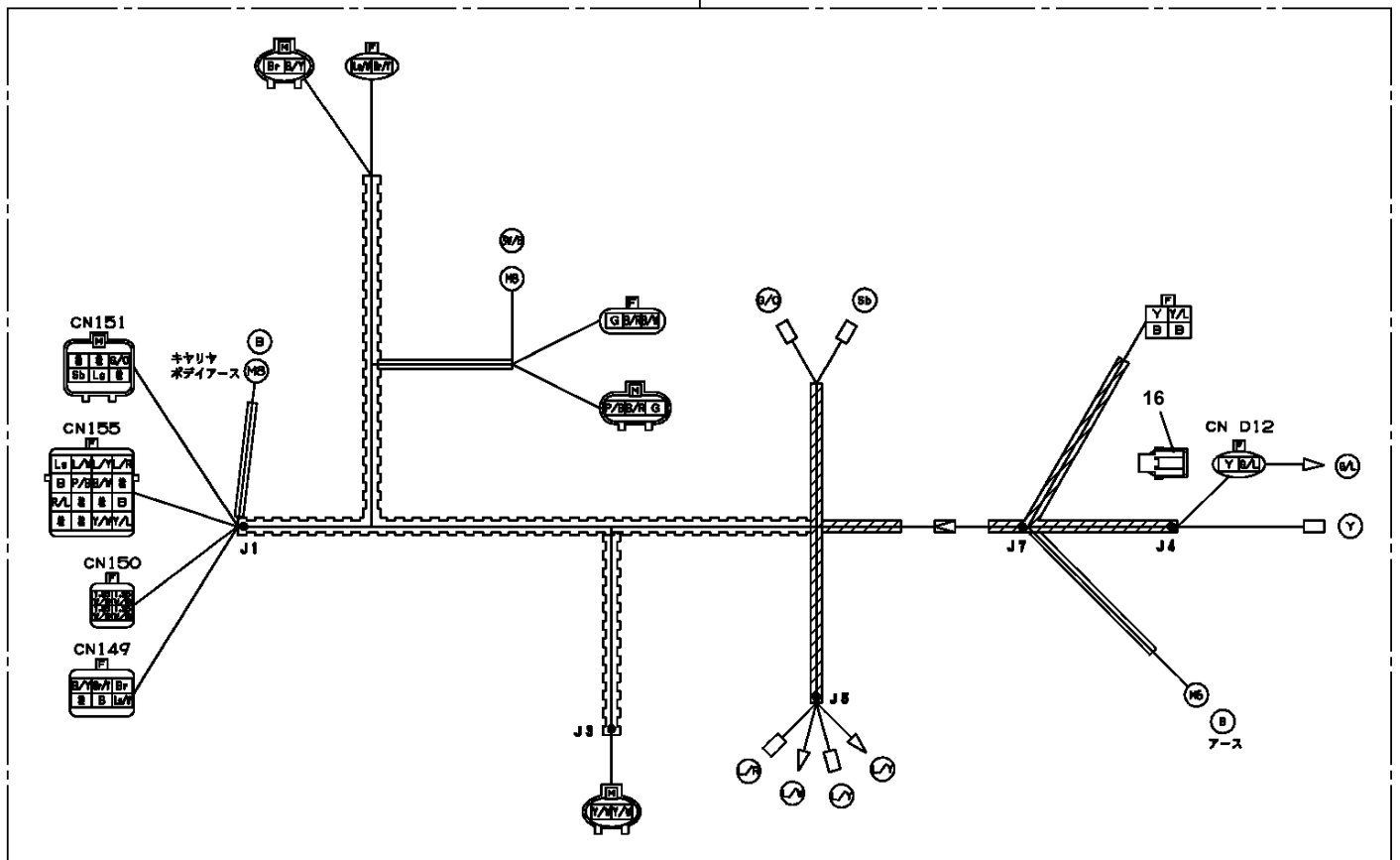
CLICK HERE TO **DOWNLOAD** THE COMPLETE MANUAL

**AT-270-2 42083210100 LOWER,NISSAN DIESEL KK-MK212DB H2A**

Pos No.	Parts No	Parts Name	Qty	Unit	Technical Data	Serial No (Start)	Serial No (End)	Remarks	Page
1	32700090010	COUPLING	1						
2	36300150000	SHAFT,PROPELLER	1						
3	90171108025	BOLT	4		M8X25				
4	90171108020	BOLT	4		M8X20				
5	90302040801	WASHER,SPRING	8		8				
21	36300110010	COUPLING	1						
22	36300154000	PIPE	1						
23	36300110020	COUPLING	1						
31	36300115010	JOINT KIT	2						
32	82456101000	NIPPLE,GREASE	1		A-PT1/8				

AT-270-2 42083210100 LOWER,NISSAN DIESEL KK-MK212DB H2A  
PH5031157-00 HARNESS

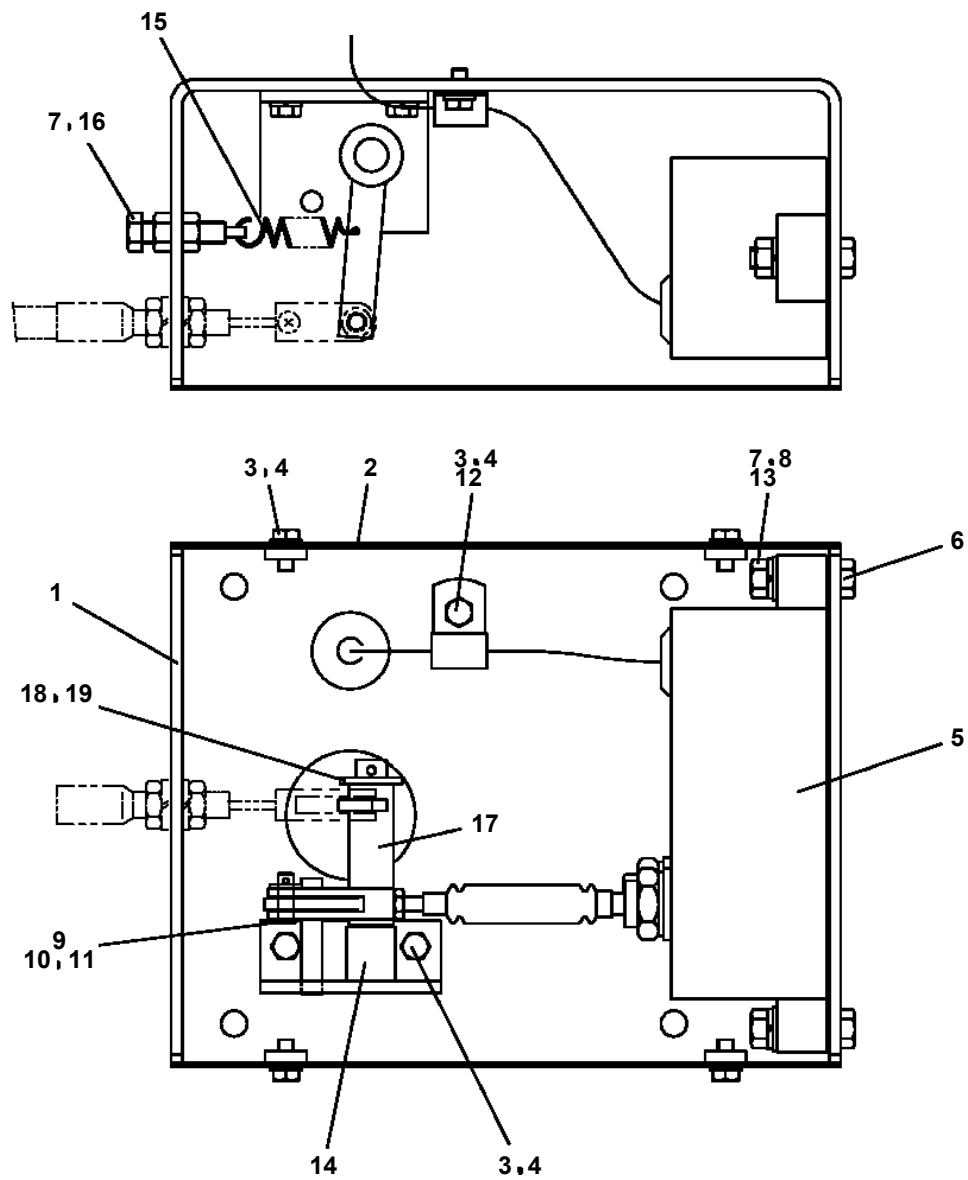
100



## AT-270-2 42083210100 LOWER,NISSAN DIESEL KK-MK212DB H2A

Pos No.	Parts No	Parts Name	Qty	Unit	Technical Data	Serial No (Start)	Serial No (End)	Remarks
8	36642935040	RING	4					
9	36646085020	O-RING	2				370409	
11	36640085025	SPRING	2					
12	36646085030	SOLENOID	1				370409	
104	36642935050	PLUG	1			370410		
109	36642935060	O-RING	2			370410		
115	90131505050	BOLT,HEXAGON SOCKET	4		M5X50	370410		
156	36602555010	O-RING	1			370410		
157	36646085031	SOLENOID	1			370410		
159	36649855100	O-RING	1			370410		
160	36640085015	RETAINER	2			370410		
163	36647895010	PROTECTOR	1			370410		
200	36645900000	VALVE,SOLENOID	1					

**AT-270-2 42083210100 LOWER,NISSAN DIESEL KK-MK212DB H2A  
PN1410010-00 MOTOR,ELECTRIC**



## AT-270-2 42083210100 LOWER,NISSAN DIESEL KK-MK212DB H2A

Pos No.	Parts No	Parts Name	Qty	Unit	Technical Data	Serial No (Start)	Serial No (End)	Remarks	Pa
1	42773820100	GUARD,SIDE	1						
2	42773820200	GUARD,SIDE (R)	1						
3	42773380301	GUARD,SIDE (RIGHT)	1						
4	42773380401	GUARD,SIDE (LEFT)	1						
5	42773380500	GUARD,SIDE (RIGHT)	1				370401		
	42774233000	GUARD,SIDE	1			370402			
6	42773380600	GUARD,SIDE (LEFT)	1				370401		
	42774234000	GUARD,SIDE (LEFT)	1			370402			
7	90303071001	WASHER,PLAIN	8		10				
9	90186210020	BOLT,FLANGE	6		M10X20				
10	90186210030	BOLT,FLANGE	12		M10X30				
11	90186210040	BOLT,FLANGE	8		M10X40		370401		
	90186210040	BOLT,FLANGE	4		M10X40	370402			
12	90280201000	NUT,FLANGE	26		M10		370401		
	90280201000	NUT,FLANGE	22		M10	370402			
13	90101210025	BOLT	4		M10X25	370402			
14	90302041001	WASHER,SPRING	4		10	370402			

CLICK HERE TO **DOWNLOAD** THE COMPLETE MANUAL

- Thank you very much for reading the preview of the manual.
- You can download the complete manual from: [www.heydownloads.com](http://www.heydownloads.com) by clicking the link below



- Please note: If there is no response to CLICKING the link, please download this PDF first and then click on it.

CLICK HERE TO **DOWNLOAD** THE COMPLETE MANUAL