

AT-147-3 43010100026 UPPER

PD2000186-01 SWING UNIT
PF1000692-00 WINCH SYSTEM
PG2000301-00 BOOM UNIT
PH1000550-00 SAFETY DEVICES (MOTION CONTROLLER)
PJ3000568-00 BUCKET SYSTEM
PJ5000003-00 BOOSTER UNIT
PK2000966-01 FRAME UNIT
PO1000171-00 INDICATION PLATES
PW1000118-00 ACCESSORIES & TOOLS
PX1001151-00 MOUNTING PARTS
PY1001439-00 OPTIONS
ASSEMBLY

CLICK HERE TO **DOWNLOAD** THE COMPLETE MANUAL

- Thank you very much for reading the preview of the manual.
- You can download the complete manual from: www.heydownloads.com by clicking the link below



- Please note: If there is no response to CLICKING the link, please download this PDF first and then click on it.

CLICK HERE TO **DOWNLOAD** THE COMPLETE MANUAL

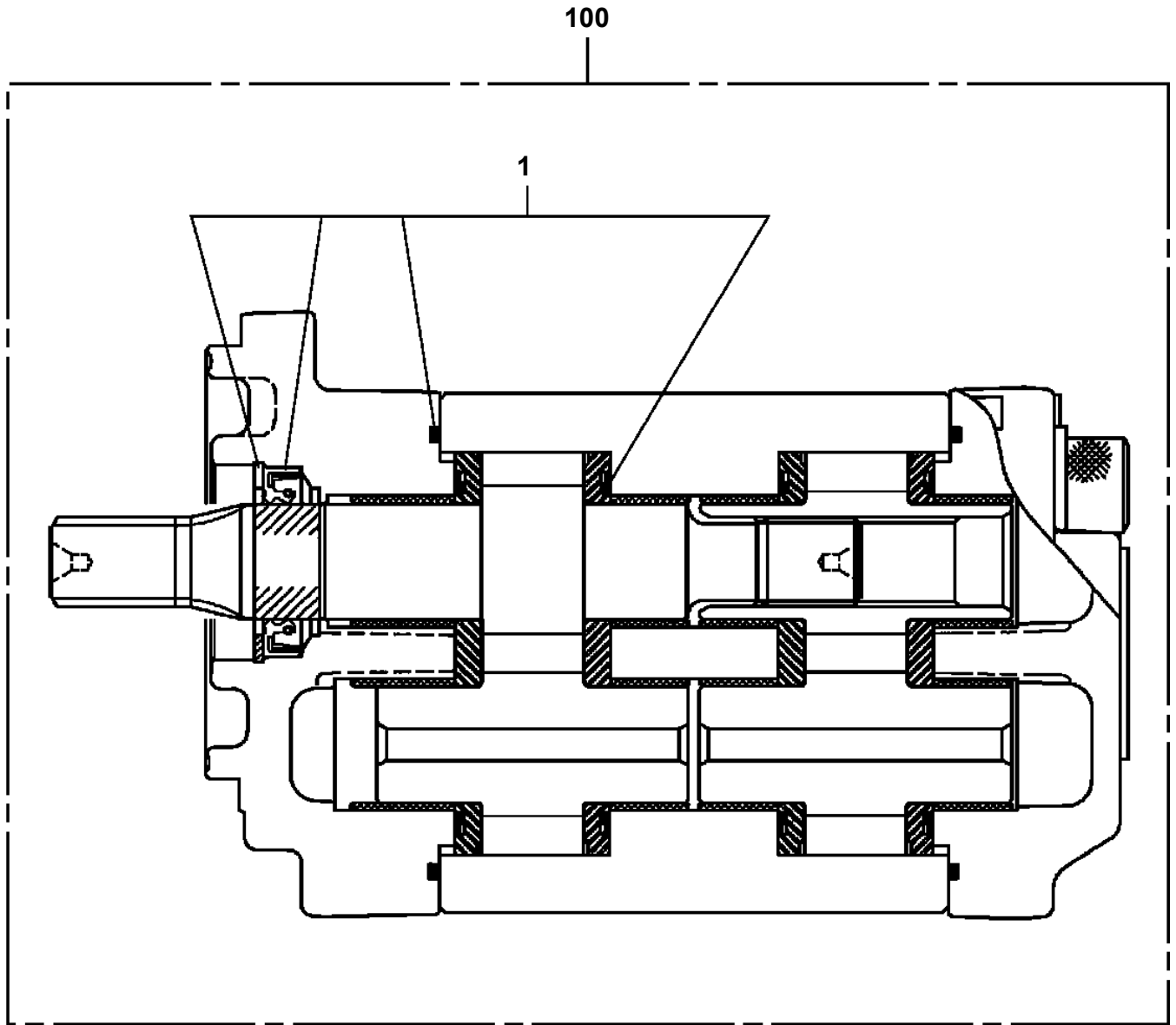
AT-147-3 43010100026 UPPER

Pos No.	Parts No	Parts Name	Qty	Unit	Technical Data	Serial No (Start)	Serial No (End)
1	42267241000	BUCKET	1				
2	(*****)	BUCKET (INNER CASE)	1				
4	(*****)	ARM	1				590391
	(*****)	ARM ASSY	1			590392	
5	(*****)	PIPING,ARM	1				590391
	(*****)	PIPING ASSY,ARM	1			590392	590393
	(*****)	PIPING ASSY,ARM	1			590394	
6	(*****)	PIPING,BUCKET	1				590391
	(*****)	PIPING ASSY,BUCKET	1			590392	590393
	(*****)	PIPING ASSY,BUCKET	1			590394	
9	(*****)	COVER,BOOM (TOP/FRP,WHITE)	1				
10	(*****)	FRAME (BUCKET)	1				590391
	(*****)	BUCKET FRAME ASSY	1			590392	
11	(*****)	COVER (ARM/FRP,WHITE)	1				
12	(*****)	COVER (WINCH/FRP,WHITE)	1				
13	42267274000	COVER (CLOTH,WHITE/BUCKET)	1				
14	(*****)	COVER (BUCKET/FRP,WHITE)	1				
15	(*****)	COVER (ARM HOSE,CLOTH)	1				
16	(*****)	COVER	1				
17	42262804000	COVER,WINCH (CLOTH,WHITE/WINCH)	1				
21	(*****)	OPE.ASSY (BUCKET)	1				
22	(*****)	ELEC.ASSY (ARM)	1				
23	(*****)	ELEC.ASSY (BUCKET)	1				590391
	(*****)	ELEC.ASSY,BUCKET	1			590392	
24	(*****)	ACCESSORIES (BUCKET INNER MAT)	1				

AT-147-3 43010100026 UPPER

Pos No.	Parts No	Parts Name	Qty	Unit	Technical Data	Serial No (Start)	Serial No (End)
1	(*****)	BOX, TOOL (LEFT SIDE/F:DOUBLE,R:SINGLE)	1				
2	(*****)	BOX, TOOL (RIGHT SIDE/FRONT:SINGLE-DECKER)	1				
3	(*****)	EARTHING DEVICE	1				

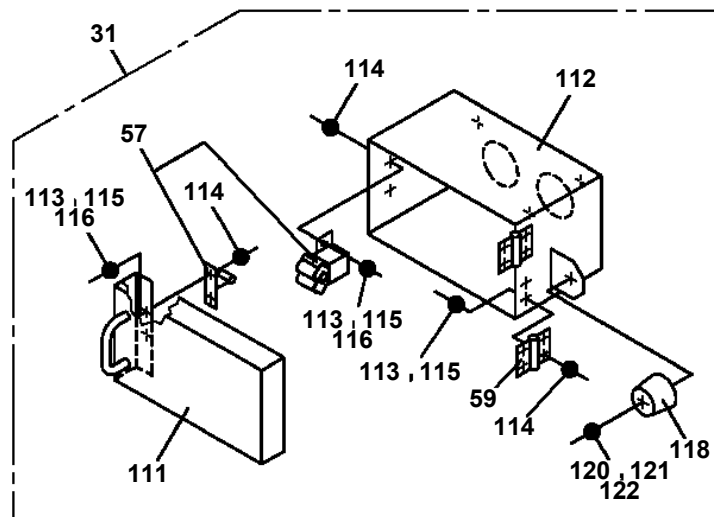
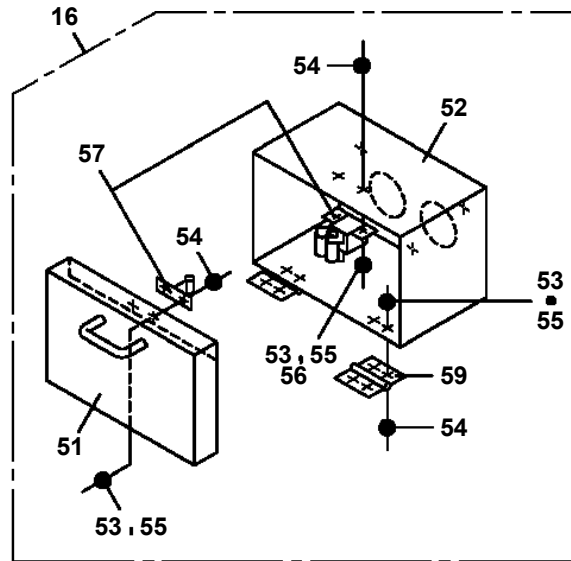
AT-147-3 43010100026 UPPER
PB1100358-00 PUMP, HYDRAULIC



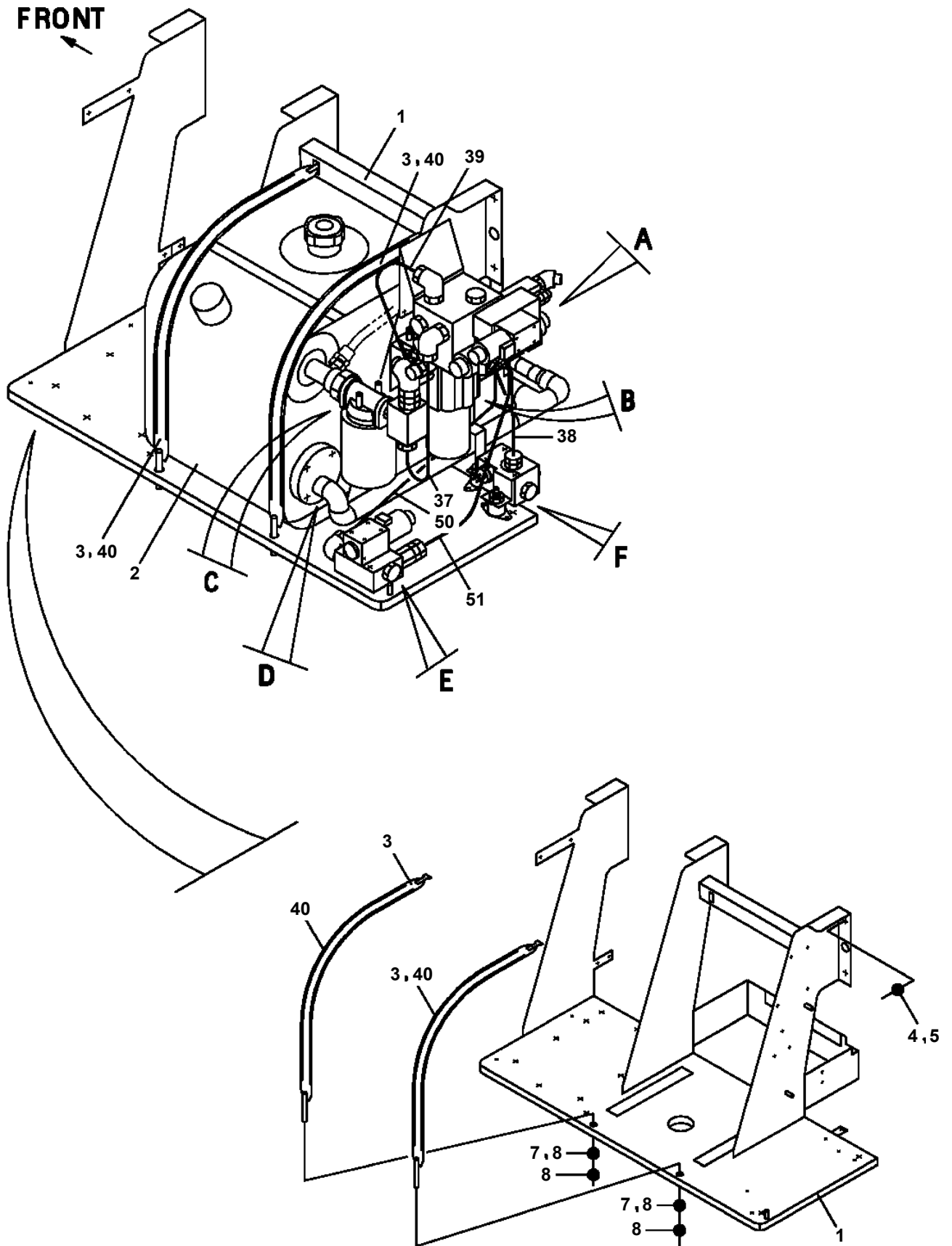
AT-147-3 43010100026 UPPER

Pos No.	Parts No	Parts Name	Qty	Unit	Technical Data	Serial No (Start)	Serial No (End)	Remarks	Pages
1	42630890000	JOINT,ROTARY	1						000016
2	90171110025	BOLT	4		M10X25				
3	90302041001	WASHER,SPRING	4		10				
4	42443110100	SUPPORT	1						
5	90171112030	BOLT	2		M12X30				
6	90302041201	WASHER,SPRING	4		12				
7	42443110202	SUPPORT	1						
8	90171112025	BOLT	2		M12X25				
9	80481004060	JOINT	1		S G3/4-G1/2				
10	91002801800	O-RING	2		1B P18				
11	80400160131	JOINT	1						
12	80400160129	JOINT	1						
13	91002801400	O-RING	1		1B P14				
14	37002483810	HOSE	1		L=780				
15	37002417580	HOSE	1		L=600				
16	37002434090	HOSE	1		L=550				
17	82100001413	TUBE,SPIRAL	N		SE-15BK				

**AT-147-3 43010100026 UPPER
PB1380317-05 POWER SUPPLY**



AT-147-3 43010100026 UPPER
PB1411973-01 PIPING,LOWER (TANK)



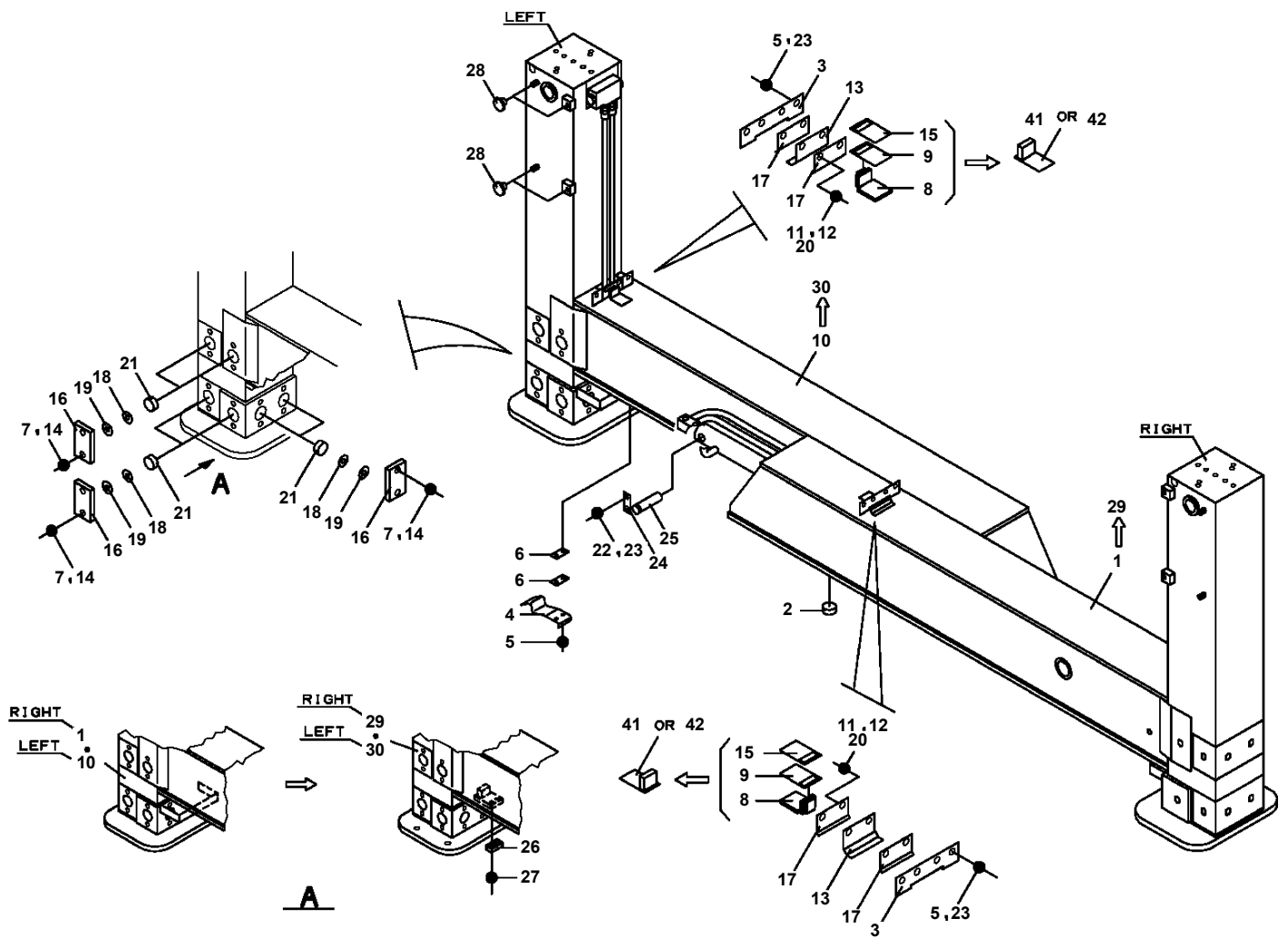
AT-147-3 43010100026 UPPER

Pos No.	Parts No	Parts Name	Qty	Unit	Technical Data	Serial No (Start)	Serial No (End)	Remarks	Pages
1	82100003002	BATTERY	1						000136
2	42350200310	HARNESS	1						
3	82100001261	CAP	1						

AT-147-3 43010100026 UPPER

Pos No.	Parts No	Parts Name	Qty	Unit	Technical Data	Serial No (Start)	Serial No (End)	Re
205	42201700150	ROLLER ASSY	2					
206	37000312280	SPACER	4					
211	80513006005	BEARING,BALL	8					
221	82455106000	NIPPLE,GREASE	1		A-M6F FE			
231	42203170410	PLATE	10			590487		
232	90101208012	BOLT	10		M8X12	590487		
233	90302040801	WASHER,SPRING	10		8	590487		
234	90303070801	WASHER,PLAIN	10		8	590487		

AT-147-3 43010100026 UPPER PC1011333-04 OUTRIGGER (REAR)



AT-147-3 43010100026 UPPER

Pos No.	Parts No	Parts Name	Qty	Unit	Technical Data	Serial No (Start)	Serial No (E
1	42614553100	CASE ASSY,INNER	1				
2	42613351200	CASE,INNER (JACK)	1				
4	36035100000	CYLINDER,JACK	1				
5	42613351400	FLOAT ASSY	1				
6	37000171720	PIN	1				
7	80601110250	RING,RITAINING	2		S25		
8	37000169010	PIN	1		30		
9	80601110300	RING,RITAINING	2		S30		
10	36625740001	VALVE,CHECK	1				
11	901711108055	BOLT	4		M8X55		
12	37000138750	PIN	1		18		
13	80136332036	PIN,SPLIT	2		3.2X36		
14	80400160127	JOINT	1				
15	91002801100	O-RING	1		1B P11		
16	36672460000	FILTER (NIPPLE TYPE)	1				
17	42612851010	COVER	1				
18	90186206014	BOLT,FLANGE	2		M6X14		
19	37000112320	PIN	1				
20	80601110120	RING,RITAINING	2		S12		
21	91810130240	FASTENER	2				
22	31201770100	PLATE,SLIDE	8		T=3.0		
23	90280200600	NUT,FLANGE	1		M6		
24	37000600700	CLAMP	1		12X3		
25	42614471010	PLATE,SLIDE	1		T=2.0		
41	36042820000	CYLINDER,EXTENSION (REAR)	1				
42	80400160127	JOINT	2				
43	91002801100	O-RING	3		1B P11		
44	37002474980	HOSE	1		L=2075		
45	42612861350	HARNESS	1				590392
46	91810130240	FASTENER	13				
51	42612851420	TRUNNION	1				
100	42614553000	OUTRIGGER (REAR,RIGHT/INNER CASE)	1				

AT-147-3 43010100026 UPPER

Pos No.	Parts No	Parts Name	Qty	Unit	Technical Data	Serial No (Start)	Serial
1	42614559512	CASE,INNER	1				
2	42613351200	CASE,INNER (JACK)	1				
4	36035100000	CYLINDER,JACK	1				
5	42613351400	FLOAT ASSY	1				
6	37000171720	PIN	1				
7	80601110250	RING,RITAINING	2		S25		
8	37000169010	PIN	1		30		
9	80601110300	RING,RITAINING	2		S30		
10	36625740001	VALVE,CHECK	1				
11	90171108055	BOLT	4		M8X55		
12	37000138750	PIN	1		18		
13	80136332036	PIN,SPLIT	2		3.2X36		
14	80400160127	JOINT	1				
15	91002801100	O-RING	1		1B P11		
16	36672460000	FILTER (NIPPLE TYPE)	1				
17	42612851010	COVER	1				
18	90186206014	BOLT,FLANGE	2		M6X14		
19	37000112320	PIN	1				
20	80601110120	RING,RITAINING	2		S12		
21	91810130240	FASTENER	2				
22	31201770100	PLATE,SLIDE	8		T=3.0		
23	90280200600	NUT,FLANGE	1		M6		
24	37000600700	CLAMP	1		12X3		
25	42614471010	PLATE,SLIDE	1		T=2.0		
41	36042820000	CYLINDER,EXTENSION (REAR)	1				
42	80400160127	JOINT	2				
43	91002801100	O-RING	3		1B P11		
44	37002474980	HOSE	1		L=2075		
45	42612861350	HARNESS	1				
46	91810130240	FASTENER	13				59039
51	42612851420	TRUNNION	1				
100	42614552004	OUTRIGGER (REAR,RIGHT/CASE ASSY,INNER)	1				

AT-147-3 43010100026 UPPER

Pos No.	Parts No	Parts Name	Qty	Unit	Technical Data	Serial No (Start)	Serial No (End)	Remarks
2	42356377510	COVER	1					
3	42356377520	SCREW	12		M4X8			
4	42356377530	WASHER	12		M4			
5	42900027510	HARNESS	1					
6	42900027520	HARNESS	1					
7	42356377560	COVER	1					
8	42356377570	SCREW	2		M3X4			
9	42900022160	BOARD,POWER	1					
11	42900022180	BOARD,DISPLAY	1				590399	
	42900022181	BOARD,DISPLAY	1			590400		
12	42356371170	BOARD ASSY	1					
13	42356377580	SEAT (SILICONE)	1					
14	42356377590	SEAT (SILICONE)	1					
16	42356377600	SPACER	9					
17	42356377610	SCREW	24		M3X6			
18	42900027530	SPACER	9					
21	42900027540	BOARD,CPU (WITH DATA)	1				590399	
	42900027550	BOARD,CPU (WITH DATA)	1			590400	590481	
	42900027560	BOARD,CPU (WITH DATA)	1			590482		
100	42900022000	INDICATOR,OUTRIGGER	1					

AT-147-3 43010100026 UPPER

Pos No.	Parts No	Parts Name	Qty	Unit	Technical Data	Serial No (Start)	Serial No (E
100	42510290000	CABLE ASSY (PC CONNECTION CABLE)	1				

AT-147-3 43010100026 UPPER

Pos No.	Parts No	Parts Name	Qty	Unit	Technical Data	Serial No (Start)	Serial
1	42614553102	CASE ASSY,INNER	1				
2	42613351200	CASE,INNER (JACK)	1				
4	36035100000	CYLINDER,JACK	1				
5	42502970100	FLOAT ASSY	1				
6	37000171720	PIN	1				
7	80601110250	RING,RITAINING	2		S25		
8	37000169010	PIN	1		30		
9	80601110300	RING,RITAINING	2		S30		
10	36625740001	VALVE,CHECK	1				
11	90171108055	BOLT	4		M8X55		
12	37000138750	PIN	1		18		
13	80136332036	PIN,SPLIT	2		3.2X36		
14	80400160127	JOINT	1				
15	91002801100	O-RING	1		1B P11		
16	36672460000	FILTER (NIPPLE TYPE)	1				
17	42612851010	COVER	1				
18	90186206014	BOLT,FLANGE	2		M6X14		
19	37000112320	PIN	1				
20	80601110120	RING,RITAINING	2		S12		
21	91810130240	FASTENER	2				
22	31201770100	PLATE,SLIDE	8		T=3.0		
23	90280200600	NUT,FLANGE	1		M6		
24	37000600700	CLAMP	1		12X3		
25	42614471010	PLATE,SLIDE	1		T=2.0		
26	82467300106	PLUG	4				
41	36042820000	CYLINDER,EXTENSION (REAR)	1				
42	80400160127	JOINT	2				
43	91002801100	O-RING	3		1B P11		
44	37002474980	HOSE	1		L=2075		
45	42612861350	HARNESS	1				
	42614061350	HARNESS	1			590393	590393
46	91810130240	FASTENER	13				
63	42612851420	TRUNNION	1				
100	42614553003	CASE ASSY,INNER (REAR,RIGHT/OUTRIGGER)	1				

AT-147-3 43010100026 UPPER

Pos No.	Parts No	Parts Name	Qty	Unit	Technical Data	Serial No (Start)	Serial No (End)
1	42614584100	CASE ASSY,INNER	1				
2	42613851201	CASE,INNER	1				
4	36035010000	CYLINDER,JACK	1				
5	42505670100	FLOAT ASSY	1				
6	37000131820	PIN	1				
7	80601110300	RING,RITAINING	2		S30		
8	37000112330	PIN	1				
9	80601110350	RING,RITAINING	2		S35		
10	36625740001	VALVE,CHECK	1				
11	90171108050	BOLT	4		M8X50		
12	37000138750	PIN	1		18		
13	80136332036	PIN,SPLIT	2		3.2X36		
14	80400160127	JOINT	1				
15	91002801100	O-RING	1		1B P11		
16	36672460000	FILTER (NIPPLE TYPE)	1				
17	42612851010	COVER	1				
18	90186206014	BOLT,FLANGE	2		M6X14		
19	37000112320	PIN	1				
20	80601110120	RING,RITAINING	2		S12		
21	91810130240	FASTENER	1				
22	31201770100	PLATE,SLIDE	8		T=3.0		
23	90280200600	NUT,FLANGE	2		M6		
24	37000600700	CLAMP	2		12X3		
25	82100002005	CLAMP	1		WRC8		
26	90186208010	BOLT,FLANGE	1		M8X10		
27	37002016610	PLATE,SLIDE	2				
28	80184306010	SCREW,MACHINE	2		M6X10		
29	82467300106	PLUG	4				
41	36042810000	CYLINDER,EXTENSION (FRONT)	1				
42	80400160127	JOINT	2				
43	91002801100	O-RING	3		1B P11		
44	37002421410	HOSE,TWIN	1		L=2150		
45	42614582210	HARNESS	1				
46	91810130240	FASTENER	15				
63	42610263100	TRUNNION	1				
100	42614584000	CASE ASSY,INNER (FRONT,RIGHT)	1				

AT-147-3 43010100026 UPPER

Pos No.	Parts No	Parts Name	Qty	Unit	Technical Data	Serial No (Start)	Serial No (End)
1	42972380000	CLAMP HEAD ASSY (YONDENKO/SAFETY HOSE)	1				

AT-147-3 43010100026 UPPER

Pos No.	Parts No	Parts Name	Qty	Unit	Technical Data	Serial No (Start)	Serial No (End)	Remarks
1	42272361103	COVER	1					
2	42272361201	COVER	1					
3	42272361301	COVER	1					
4	90101206016	BOLT	8		M6X16			
5	80172803008	SCREW,MACHINE	8		M3X8			
6	90201500300	NUT	8		M3			
7	90302510301	WASHER,SPRING (SUS 3)	8					
8	82466100702	CATCH	2					
9	80172804012	SCREW,MACHINE	12		M4X12			
10	90201500400	NUT	12		M4			
11	90302510401	WASHER,SPRING	12		4			
12	82464110305	HINGE	2					
13	90302040601	WASHER,SPRING	8		6			
14	90303070601	WASHER,PLAIN	8		6			
50	42272361004	COVER ASSY	1					

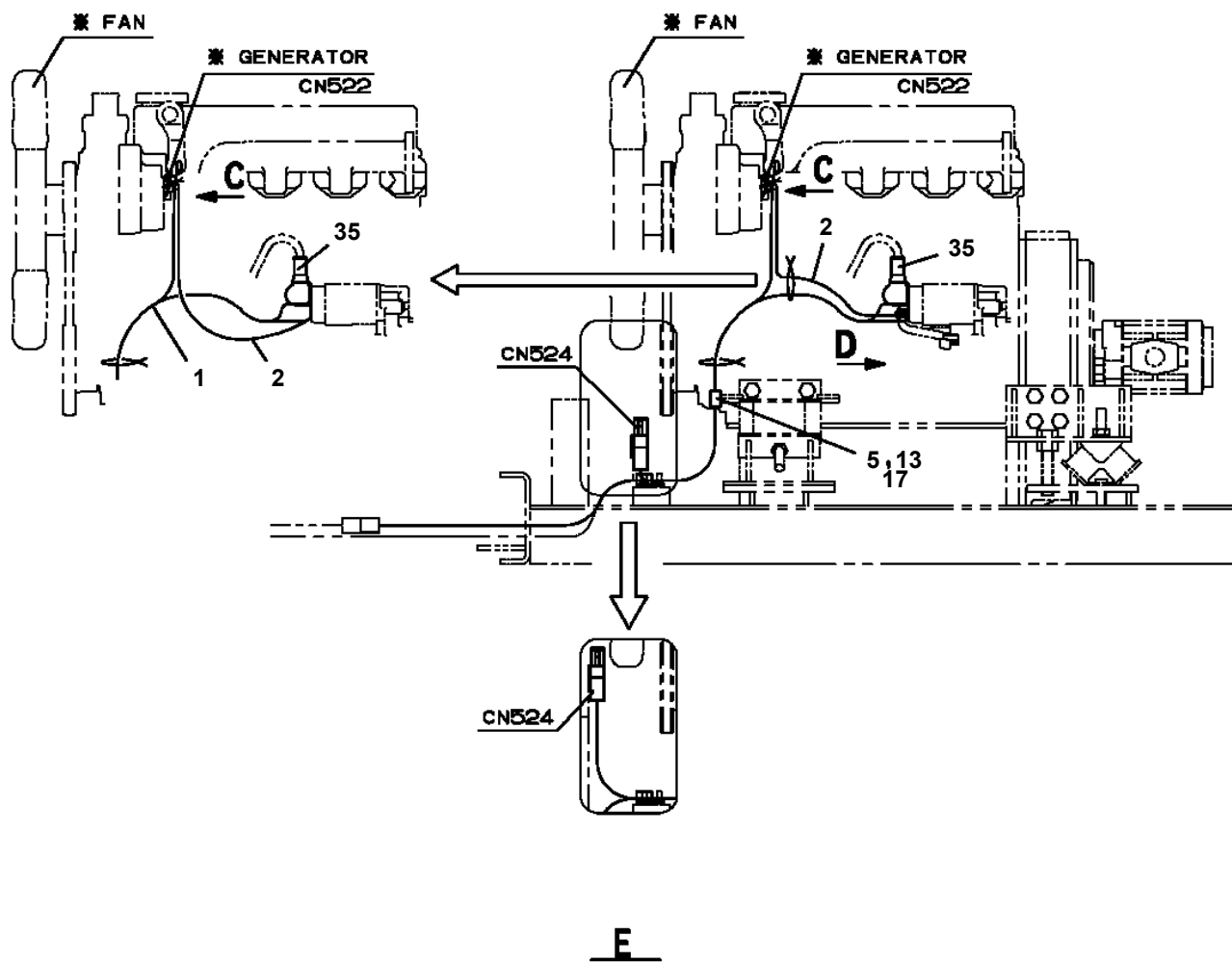
AT-147-3 43010100026 UPPER

Pos No.	Parts No	Parts Name	Qty	Unit	Technical Data	Serial No (Start)
1	36623930000	VALVE,PILOT CHECK	1			
2	91002801000	O-RING	2		1B P10	
3	36054430000	CYLINDER ASSY (LIFT,BUCKET FRAME)	1			
6	90180210035	BOLT,BUTTON	2		M10X35	
100	42268804001	CYLINDER ASSY (LIFT,BUCKET FRAME WITH VALVE)	1			

AT-147-3 43010100026 UPPER

Pos No.	Parts No	Parts Name	Qty	Unit	Technical Data	Serial No (Start)	Serial No (End)	R
1	80801005025	BEARING,PLAIN	2					
2	82458102000	NIPPLE,GREASE	2		B-PT1/8			
3	82400000459	CAP	2					
4	90790010020	SCREW,SET	1		10X20			
5	91302212500	BEARING,PLAIN	2					
6	91684112501	PACKING	2					
7	91411211001	RING,BACKUP	2					
8	91002805001	O-RING	1		1B P50A			
9	36027713000	PISTON	1					
10	36027711000	ROD	1					
	36027711001	ROD	1			590350	590349	
11	36027719510	CYLINDER ASSY	1					
12	80612110970	RING,RITAINING	1		AR97			
13	91002811500	O-RING	1		1B P115			
14	80801009040	BEARING,PLAIN	1					
15	36026179520	COVER,ROD	1					
16	91251100900	RING,DAMPER	1					
17	91694009000	PACKING	1					
18	91410209000	RING,BACKUP	1					
19	91002912500	O-RING	1		1B G125			
20	91660009000	SEAL,DUST	1					
21	80622000900	RING,RITAINING	1		SP90			
22	36025912000	END,ROD	1					
23	91001207000	O-RING	1		1A G70			
24	80316030020	PLUG	1		PT1/8			
25	80720104020	PIN,SPRING	1		4X20			
41	36025919900	PACKING SET	1		90X125			
52	80541700050	BEARING,SPHERICAL	1					
54	82100000548	CONNECTOR	1					
57	82100001411	TUBE,SPIRAL	1	M	SE-08BK			
58	80316090020	PLUG	1		KKT PT1/8			
61	82100001155	CONNECTOR	1					
101	36027710000	CYLINDER,ELEVATING	1					
102	36606450000	VALVE ASSY,COUNTERBALANCE	1					
103	90171108060	BOLT	4		M8X70			
104	90302040801	WASHER,SPRING	4		8			

AT-147-3 43010100026 UPPER
PE5020276-05 ELEC.ASSY



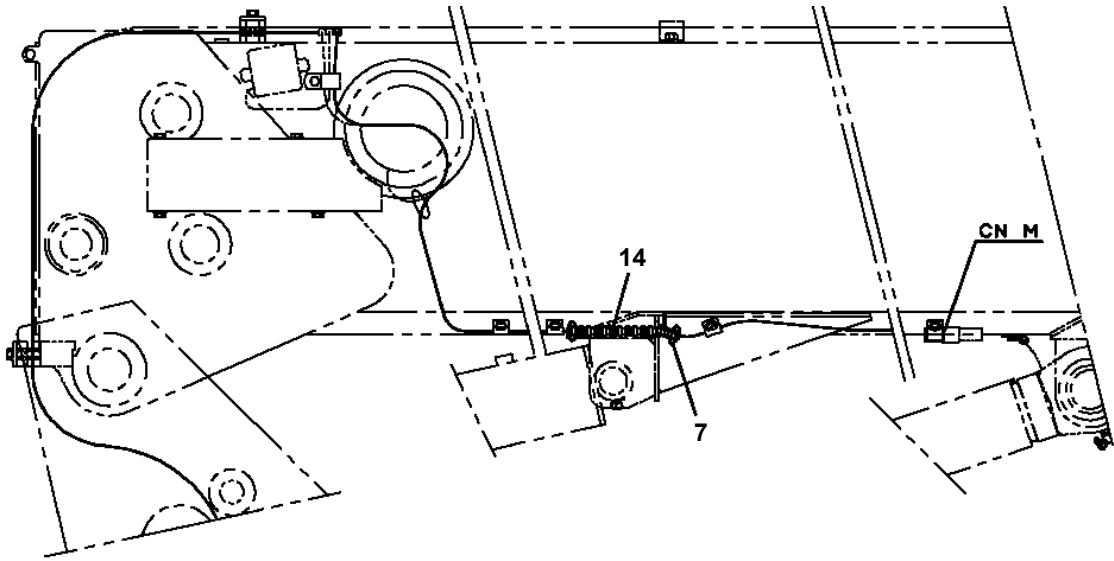
※材は〔付属品リスト〕より検索してください。

FOR THE PART ※, SEE THE CORRESPONDING "ACCESSORY LIST."

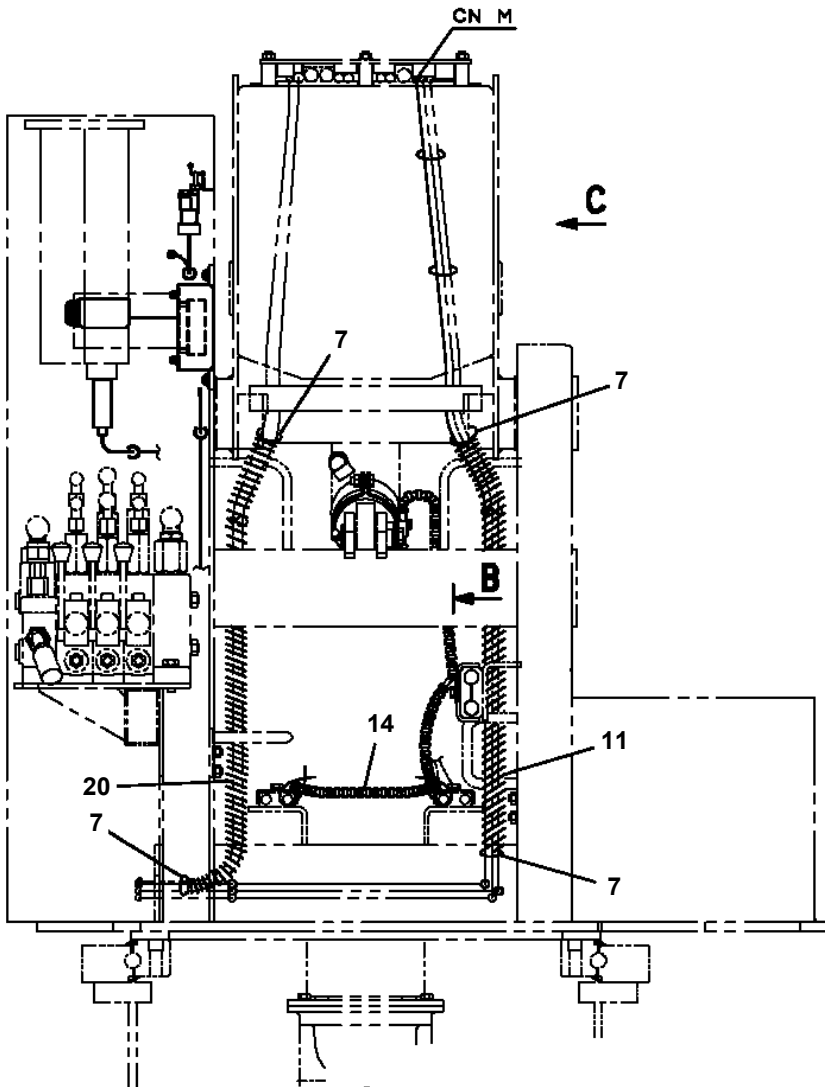
AT-147-3 43010100026 UPPER

Pos No.	Parts No	Parts Name	Qty	Unit	Technical Data	Serial No (Start)	Serial No (End)
1	42357160100	HARNESS	1				
2	42356440200	HARNESS	1				
3	82100002016	CLAMP	2		WR25		
4	42356443502	RELAY BOX ASSY	1				
5	90302040601	WASHER,SPRING	4		6		
7	91810132530	FASTENER	35				
8	42356440600	SUPPORT	1				
9	90101208016	BOLT	7		M8X16		
10	90302040801	WASHER,SPRING	7		8		
12	42357161000	TRANSMITTER,SIGNAL	1				
13	90101206016	BOLT	4		M6X16		
14	42350250150	PLUG (6 POLES,MALE)	1				
15	42350250070	PLUG (2 POLES,MALE)	2				
16	42357160500	GUARD	1				
17	(*****)	DETECTOR,SWING ANGLE (BUCKET)	1				
18	90303070801	WASHER,PLAIN	6		8		
19	42357160400	BUZZER ASSY	1				
20	90813108012	BOLT,WING	2		M8X12 A		
21	80171304014	SCREW,MACHINE	2		M4X14		
22	90303070401	WASHER,PLAIN	2		4		
23	42357160200	HARNESS	1				
24	42356440400	HARNESS	1				
25	82104501120	SWITCH,LIMIT	1				
26	42357160600	SUPPORT	1				
27	42356440500	CABLE	2				
28	42353574200	SWITCH ASSY (WITH CONNECTOR)	1				
29	90201200400	NUT	2		M4		
30	90201200800	NUT	2		M8		
31	42356370200	SUPPORT	1				
32	90186206010	BOLT,FLANGE	6		M6X10		
33	82100002015	CLAMP	1		WRC20		
34	42357160300	CABLE	1				
35	90302040401	WASHER,SPRING	2		4		
37	42356800100	HARNESS	1				
38	42356802001	RELAY BOX	1				
39	42356800201	HARNESS	1				590398
	42356800202	HARNESS	1			590399	
40	82165300010	LAMP	4				
41	42356800300	HARNESS	4			590399	
61	82151401224	BATTERY (FURUKAWA/12M24B)	1				
	82100001973	BATTERY (HITACHI)	1			590521	
62	42350200310	HARNESS	1				
63	82100001261	CAP	1				
81	42503390200	LAMP ASSY (DC12V RED)	6				
82	42356443102	HARNESS	1				590398
	42356443103	HARNESS	1			590399	
83	42651593500	SWITCH ASSY (WITH CONNECTOR)	2				590398
	42356443200	SWITCH ASSY	2			590399	
85	42356240100	SWITCH ASSY(WITH HRANESS)	1				
86	42356240500	COVER	1				
87	82100000665	CAP (BLACK)	2				
106	82197518119	CAP (PLUS ONE MFG./BLACK)	1				
	82197518114	CAP (MATSUSHITA/BLACK)	1				
121	42354931100	SWITCH ASSY	2				
122	42354931200	SWITCH ASSY	2				
123	90302040401	WASHER,SPRING	8		4		
124	90303070401	WASHER,PLAIN	8		4		
125	80172304008	SCREW,MACHINE	8		M4X8		
126	80162302006	SCREW,MACHINE	8		M2X6		
127	90302040201	WASHER,SPRING (2)	8				
128	90201200200	NUT	8		M2		
129	42356801100	SUPPORT	4				
130	91810130240	FASTENER	2				

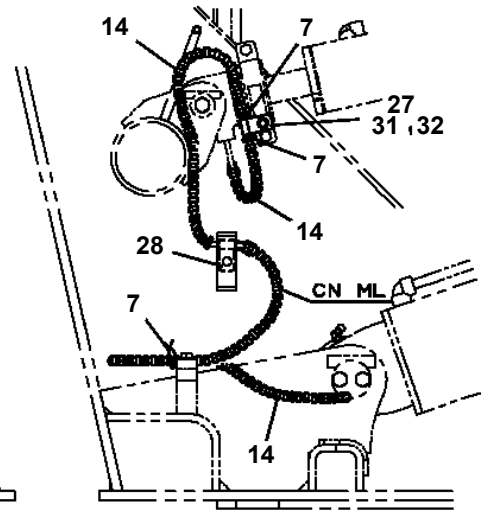
AT-147-3 43010100026 UPPER
PE5190027-00 ELEC.ASSY, SWING FRAME



C

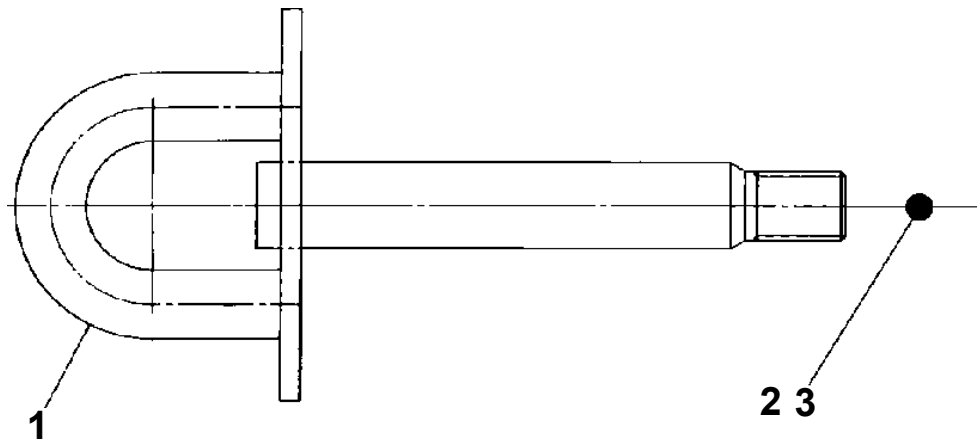


A

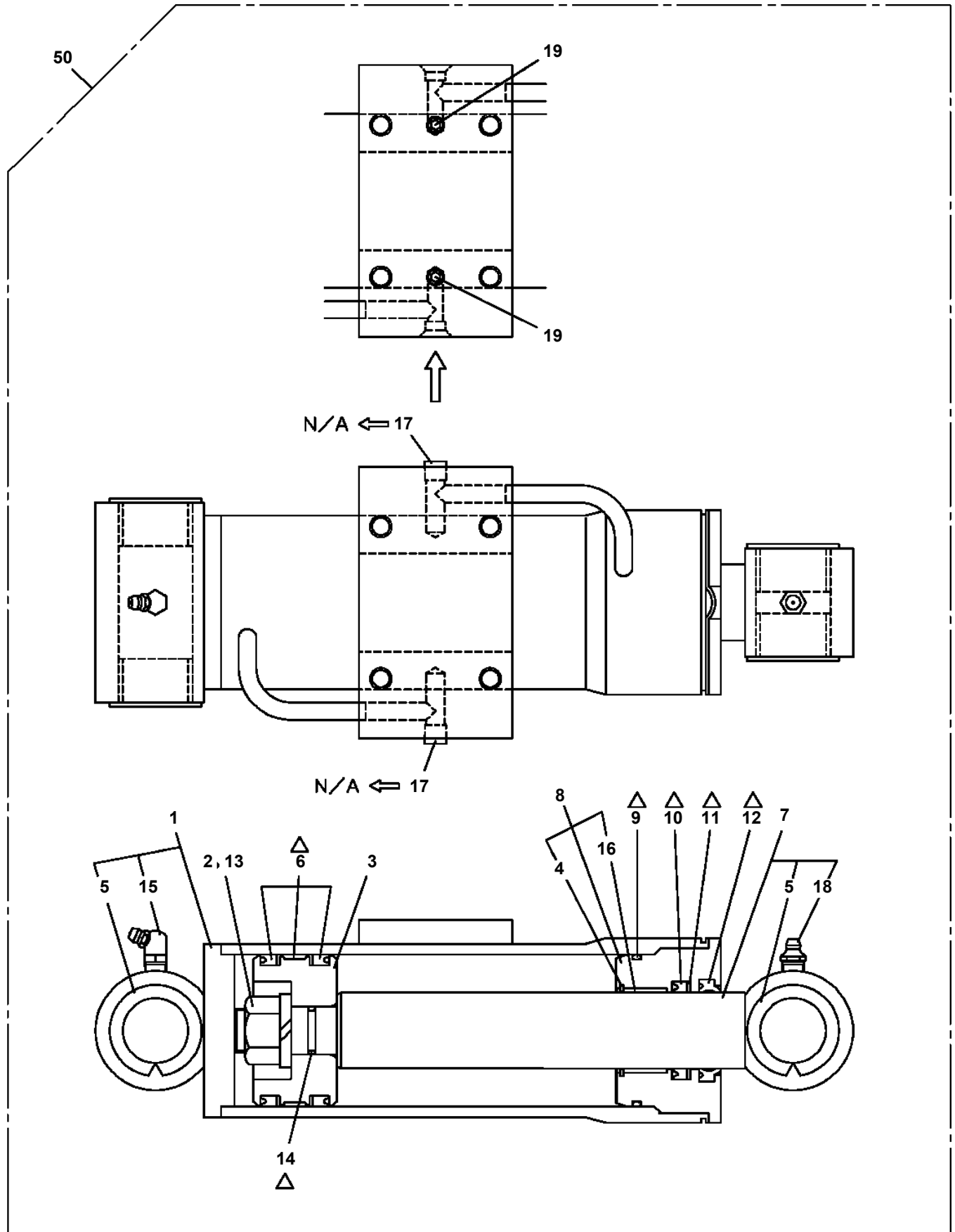


B

**AT-147-3 43010100026 UPPER
PF1080009-00 SUPPORT (WINCH JIB,OPTION)**



AT-147-3 43010100026 UPPER
 PF1360003-05 CYLINDER,WINCH JIB (POWER)



△:PACKING SET KEY NO.30 (KEY NO.6,9,10,11,12,14)

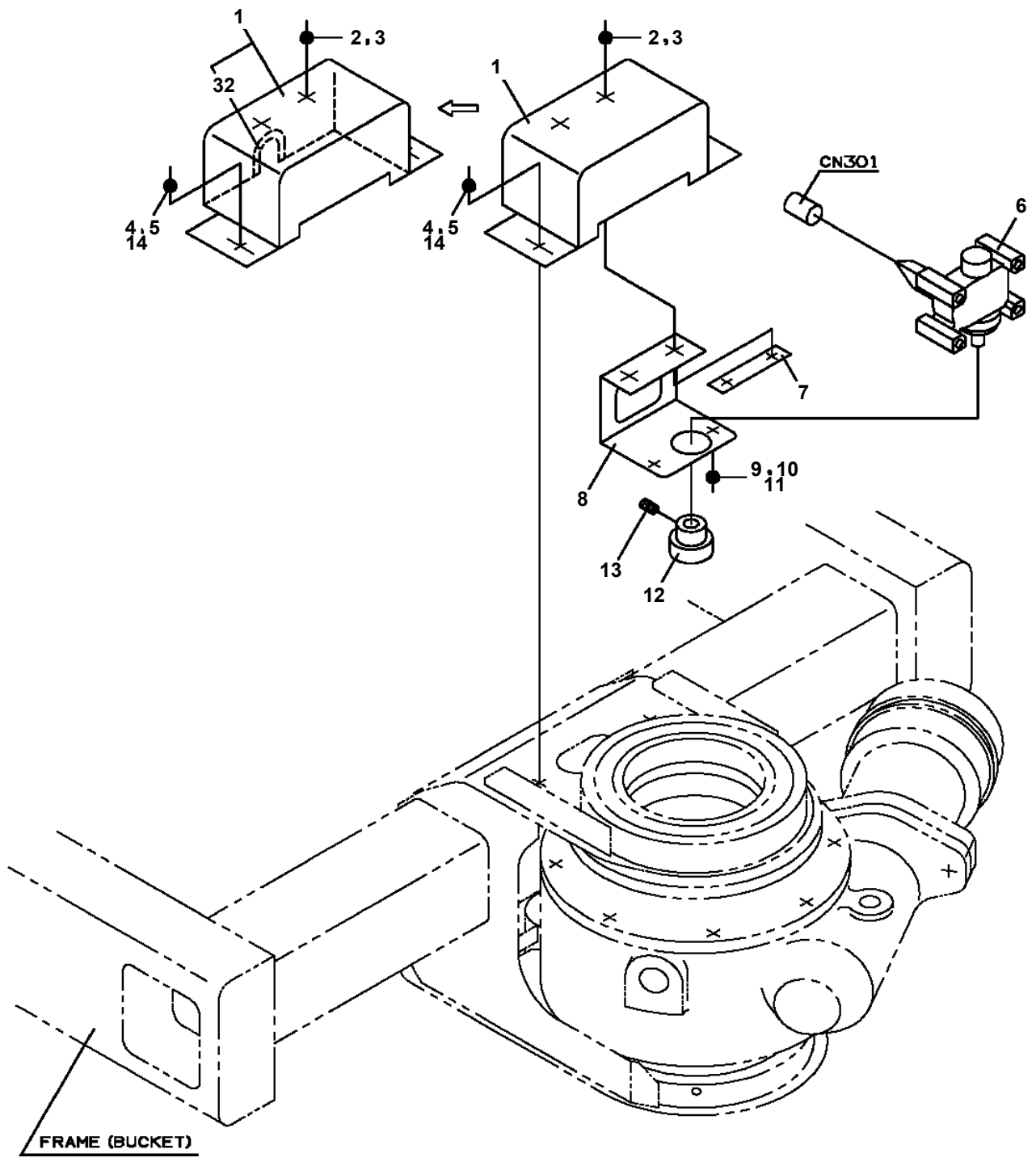
AT-147-3 43010100026 UPPER

Pos No.	Parts No	Parts Name	Qty	Unit	Technical Data	Serial No (Start)	Serial No (End)	Re
74	31630482500	CAP	4					
75	37001007240	SHEAVE ASSY	2					
76	80602110400	RING,RITAINING	2		R40			
77	37000176300	PIN	2					
78	80601110400	RING,RITAINING	2		S40			
79	37000176310	PIN	1					
80	37000403580	BEARING,PLAIN (DAIDO METAL)	2					
81	42202700111	PLATE	N		T=0.6			
82	42202700200	SUPPORT	1					
84	90171116050	BOLT	10		M16X50			
85	90309341601	WASHER,CONICAL SPRING	20		16			
86	90171116040	BOLT	10		M16X40			
87	90171112035	BOLT	2		M12X35			
88	90202481200	NUT	4		M12			
89	37002018080	PLATE,SLIDE	2					
90	37002018100	PLATE,SLIDE	4					
91	37000513150	PLATE	N		T=0.5			
92	90201781200	NUT	2		M12			
93	90302041201	WASHER,SPRING	6		12			
94	89631601000	HOSE,VINYL	1		15X20,1M			
95	91810130240	FASTENER	2					
96	90202481600	NUT	4		M16			
97	90174110030	BOLT	2		M10X30			
98	37000573180	PLATE	1					
99	37000144700	PIN	1					
100	90174110020	BOLT	2		M10X20			
101	37000524070	PLATE	1		T=6			
102	42202700020	PIN	1					
103	42202590320	ROLLER	2				590399	
	42201520030	ROLLER	2			590400		
104	42202120100	PLATE	2					
105	90171110018	BOLT	4		M10X18			
106	90303071001	WASHER,PLAIN	4		10			
108	90180212030	BOLT,BUTTON	4		M12X30			
109	90303071201	WASHER,PLAIN	4		12			
110	42202590300	PLATE	2					
111	42202590310	PLATE	2					
112	42202590340	PLATE	N		T=0.8			
113	90180210020	BOLT,BUTTON	8		M10X20			
114	42202700251	SUPPORT	1					
131	42202701102	FRAME	1				590394	
	42202701103	FRAME	1			590395		
132	42202701201	JOINT	1				590394	
	42202701202	JOINT	1			590395		
133	42202701301	JOINT	1				590394	
	42202701302	JOINT	1			590395		
141	42201700110	ROLLER ASSY	1					
142	37000180121	PIN	1					
143	90238402408	NUT,CASTLE	1		M24			
144	90303072401	WASHER,PLAIN	1		24			
145	80136350045	PIN,SPLIT	1		5X45			
152	80513006012	BEARING,BALL	2					
153	80612110950	RING,RITAINING	2		AR95			
161	37002011650	PLATE,SLIDE	2					
162	42201460370	PLATE	N		T=0.8			
163	80184306020	SCREW,MACHINE	2		M16X20			
164	42202050310	RETAINER	2					
171	42202590180	PLATE	2					
172	42202700410	PLATE	2					
192	80602110620	RING,RITAINING	2		R62			
201	80801003012	BEARING,PLAIN	2					
202	80601110250	RING,RITAINING	4		S25			
203	42201700120	PLATE	2					

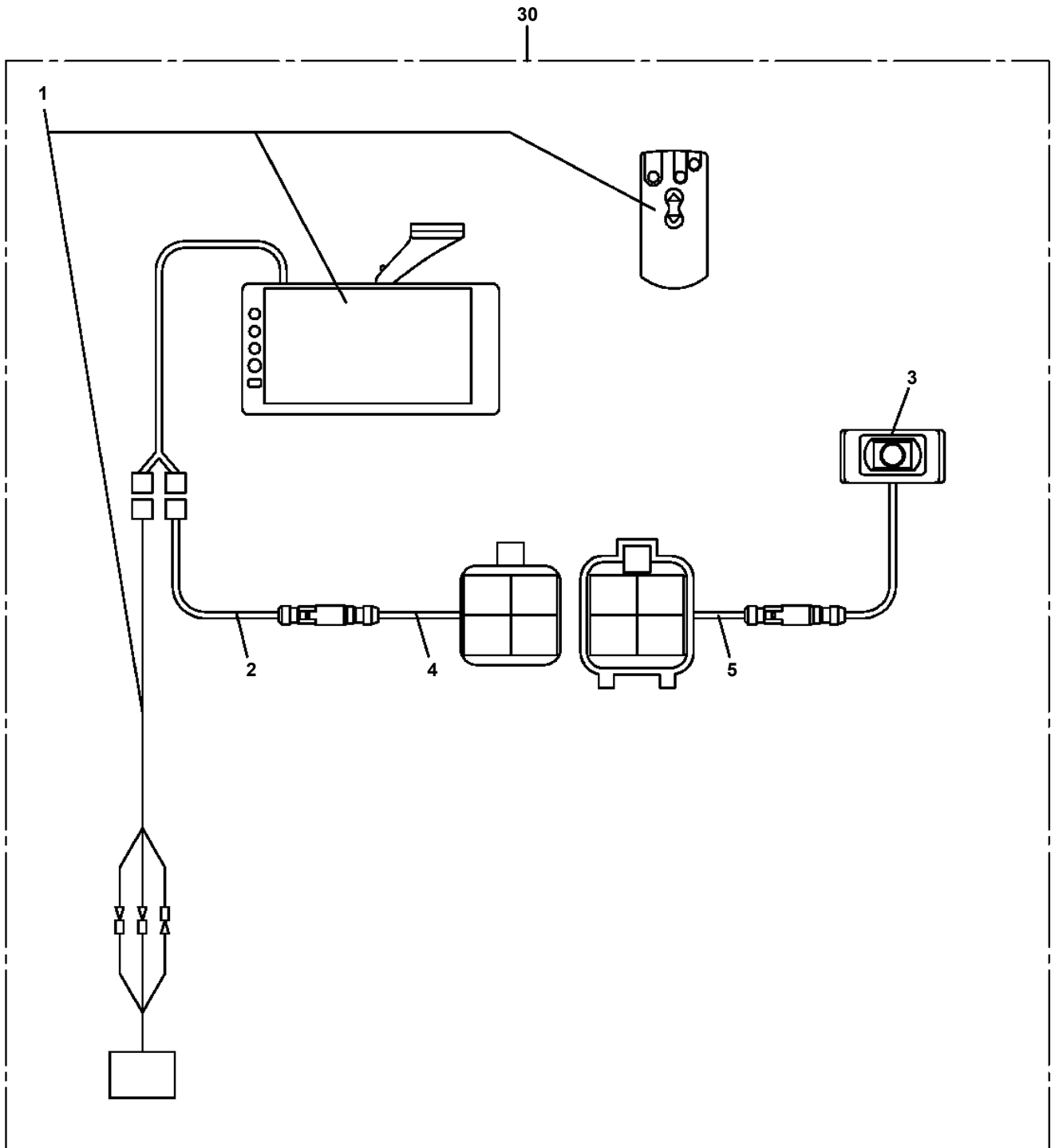
AT-147-3 43010100026 UPPER

Pos No.	Parts No	Parts Name	Qty	Unit	Technical Data	Serial No (Start)	Serial No (End)	Remarks
83	91002801400	O-RING	3		1B P14			
84	80316070060	PLUG	1		PF3/8			
85	80302090241	FITTING	1		KCO18-040N			
86	91002801800	O-RING	1		1B P18			
92	42346820320	PIN	1					
93	80136363050	PIN,SPLIT	2		6.3X50			
103	42346820201	ROLLER ASSY	1			590446		

**AT-147-3 43010100026 UPPER
PH1140047-01 DETECTOR, SWING ANGLE (BUCKET)**

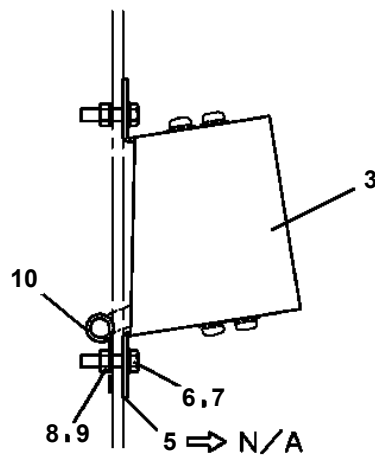
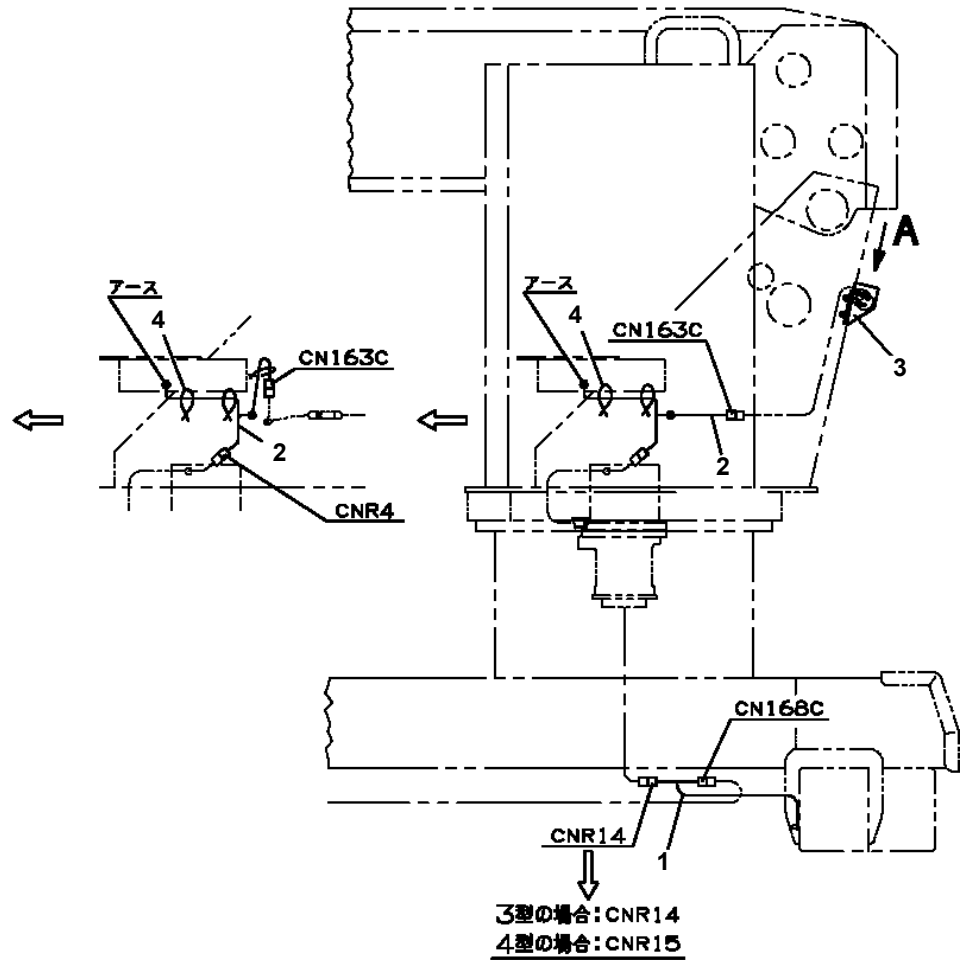
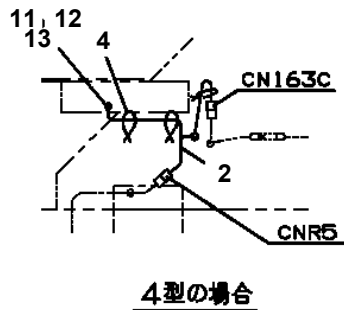
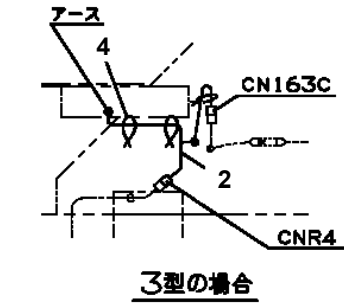


**AT-147-3 43010100026 UPPER
PH1700236-00 VIEW SYSTEM (MAIN UNIT)**



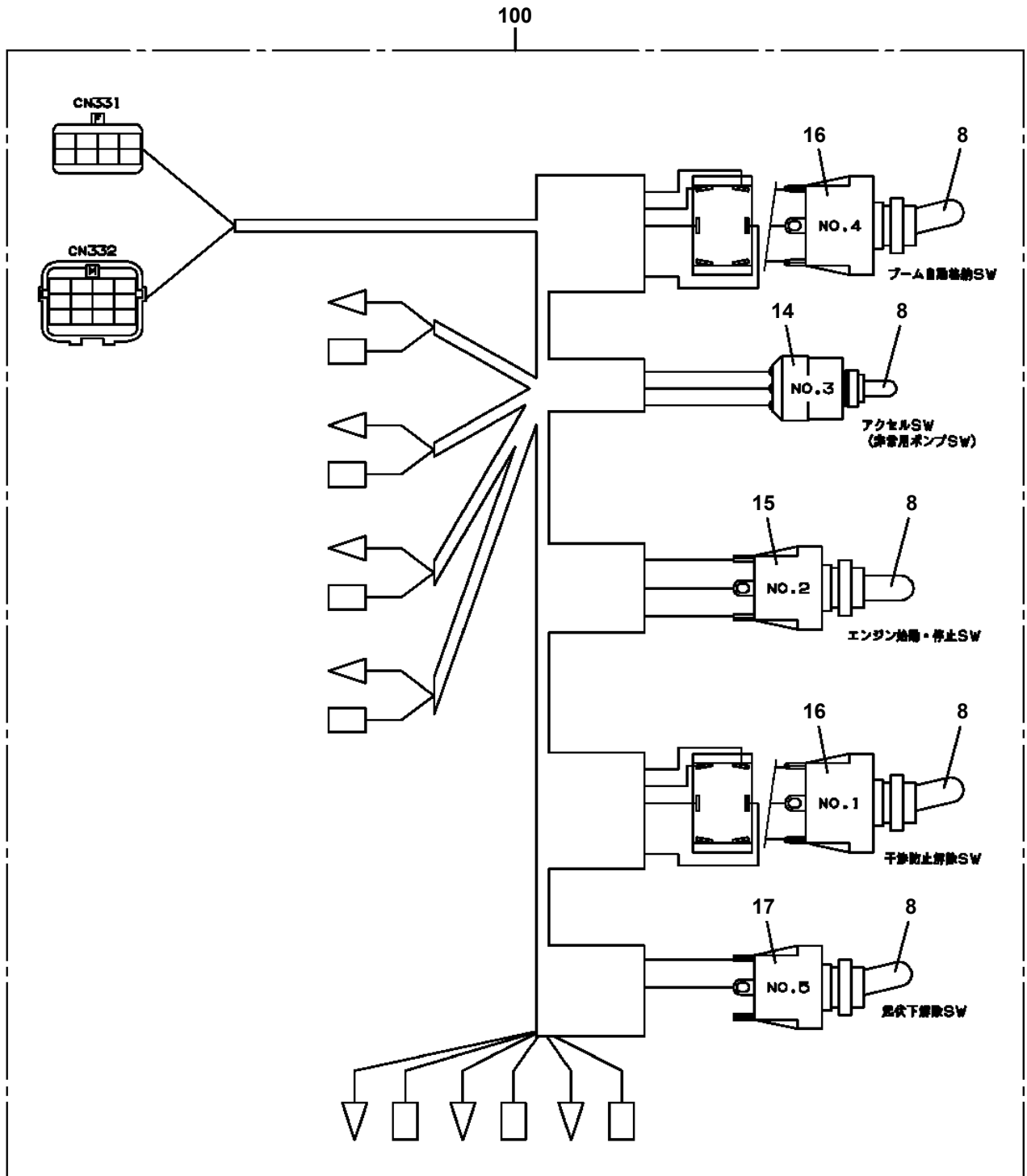
AT-147-3 43010100026 UPPER
PH1700374-02 VIEW SYSTEM (CAMERA)

FRONT ←

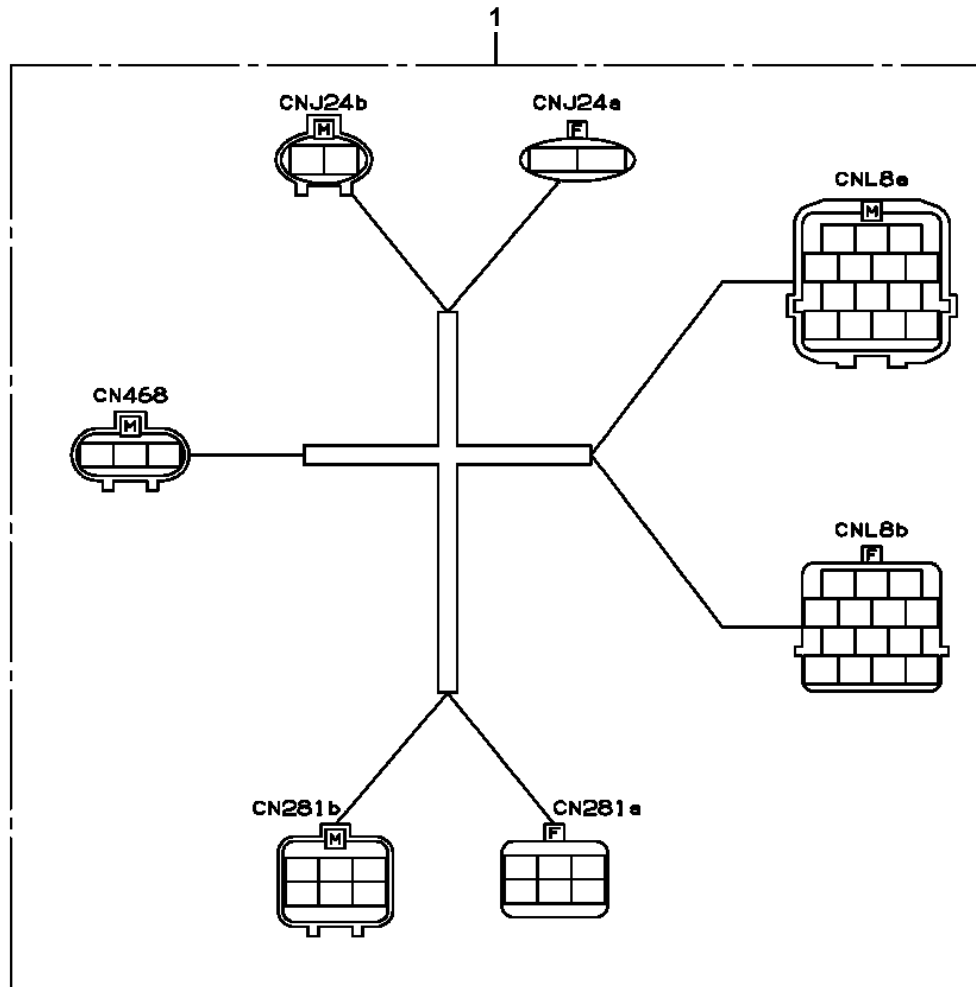


A

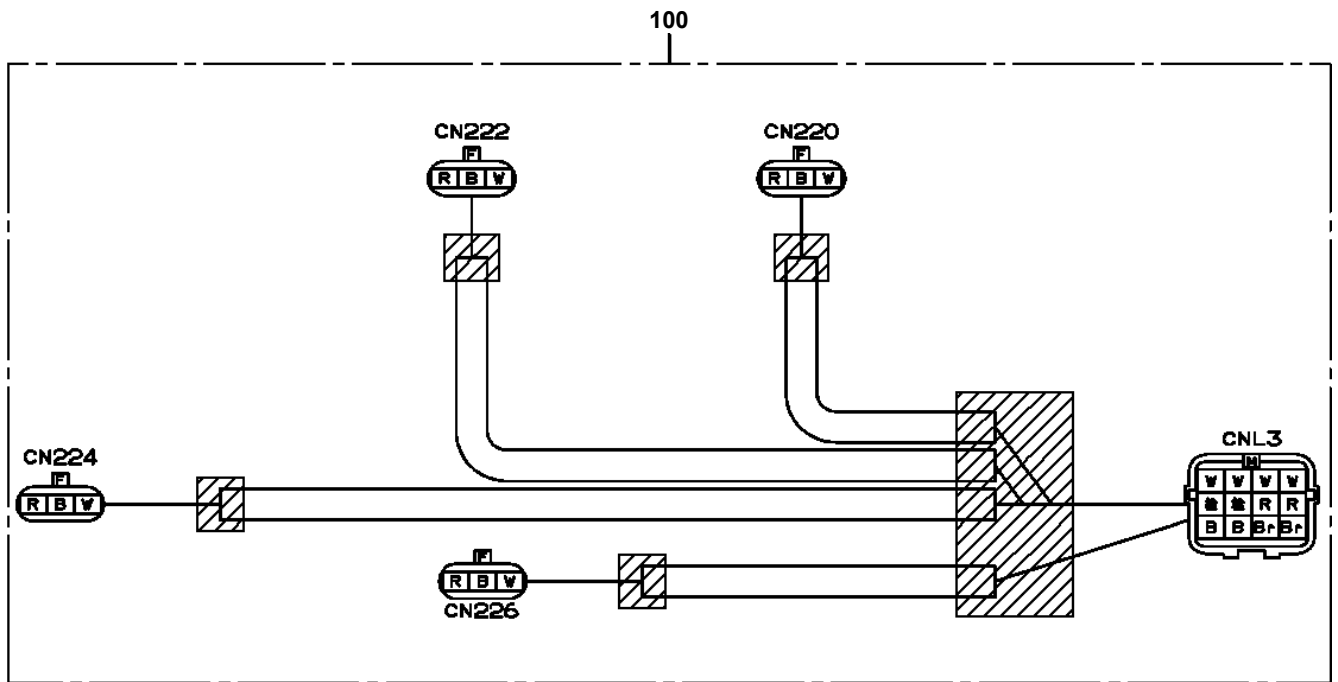
AT-147-3 43010100026 UPPER
PH5030165-00 HARNESS



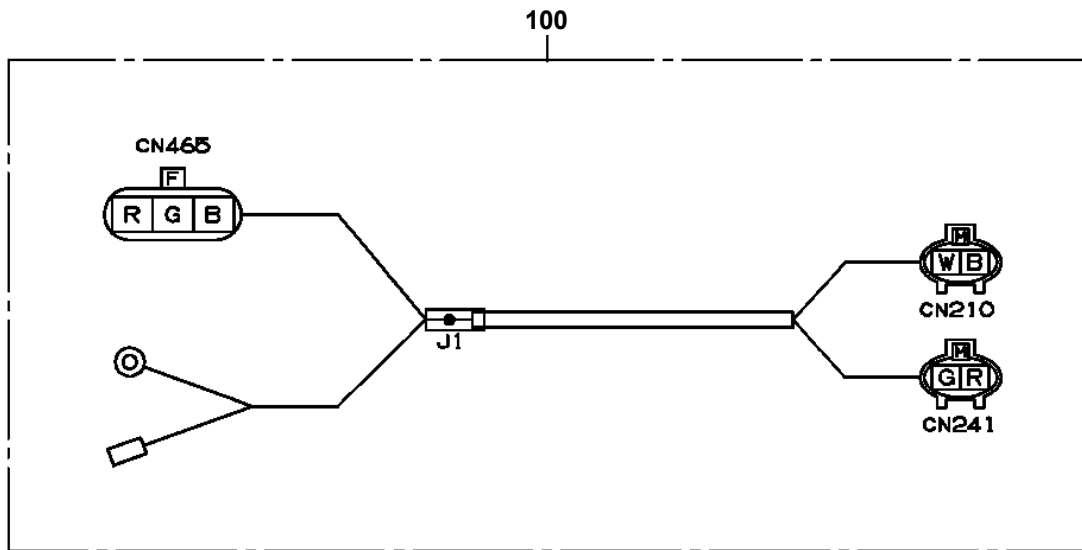
AT-147-3 43010100026 UPPER
PH5030469-00 HARNESS



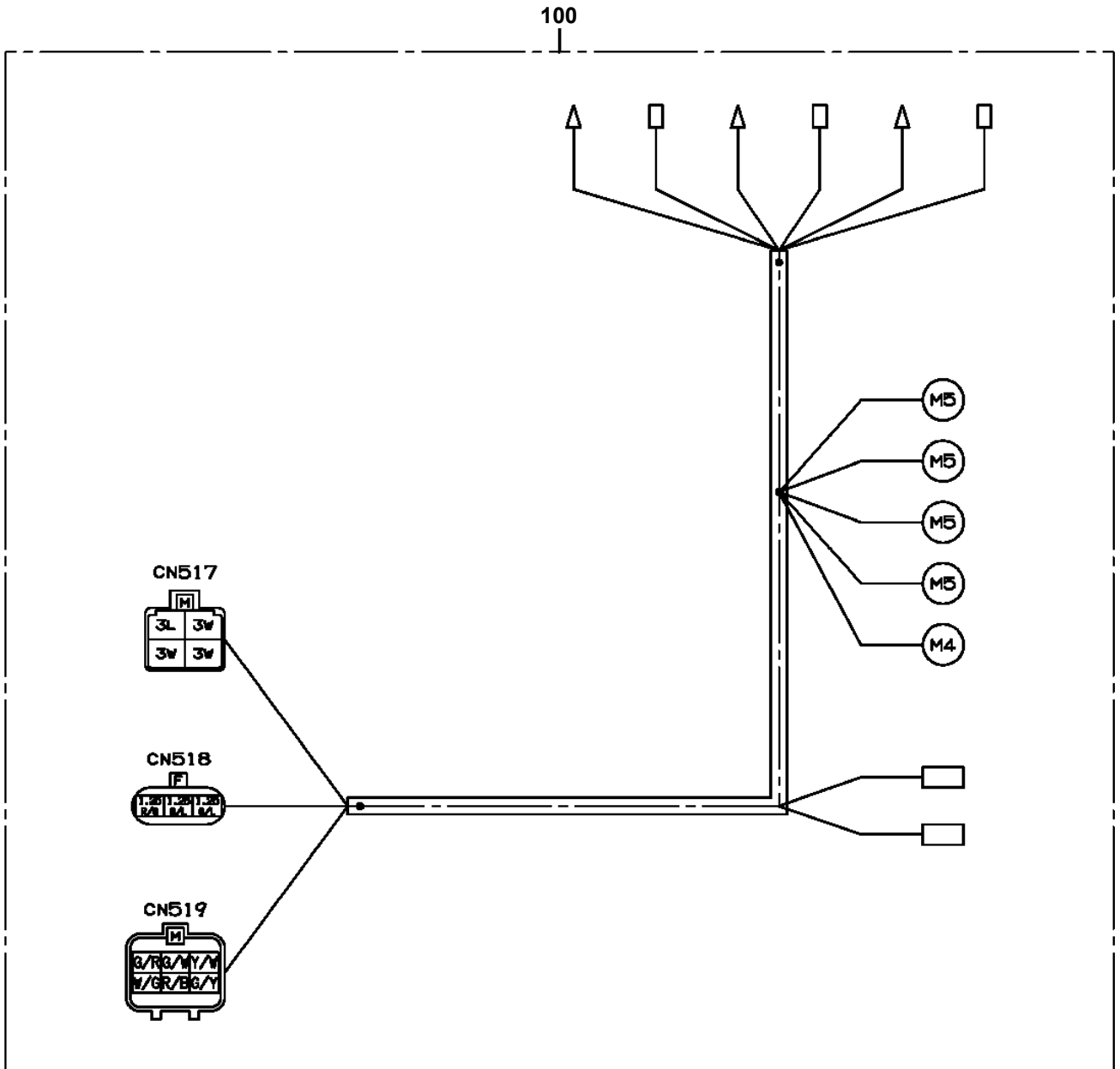
AT-147-3 43010100026 UPPER
PH5031066-00 HARNESS



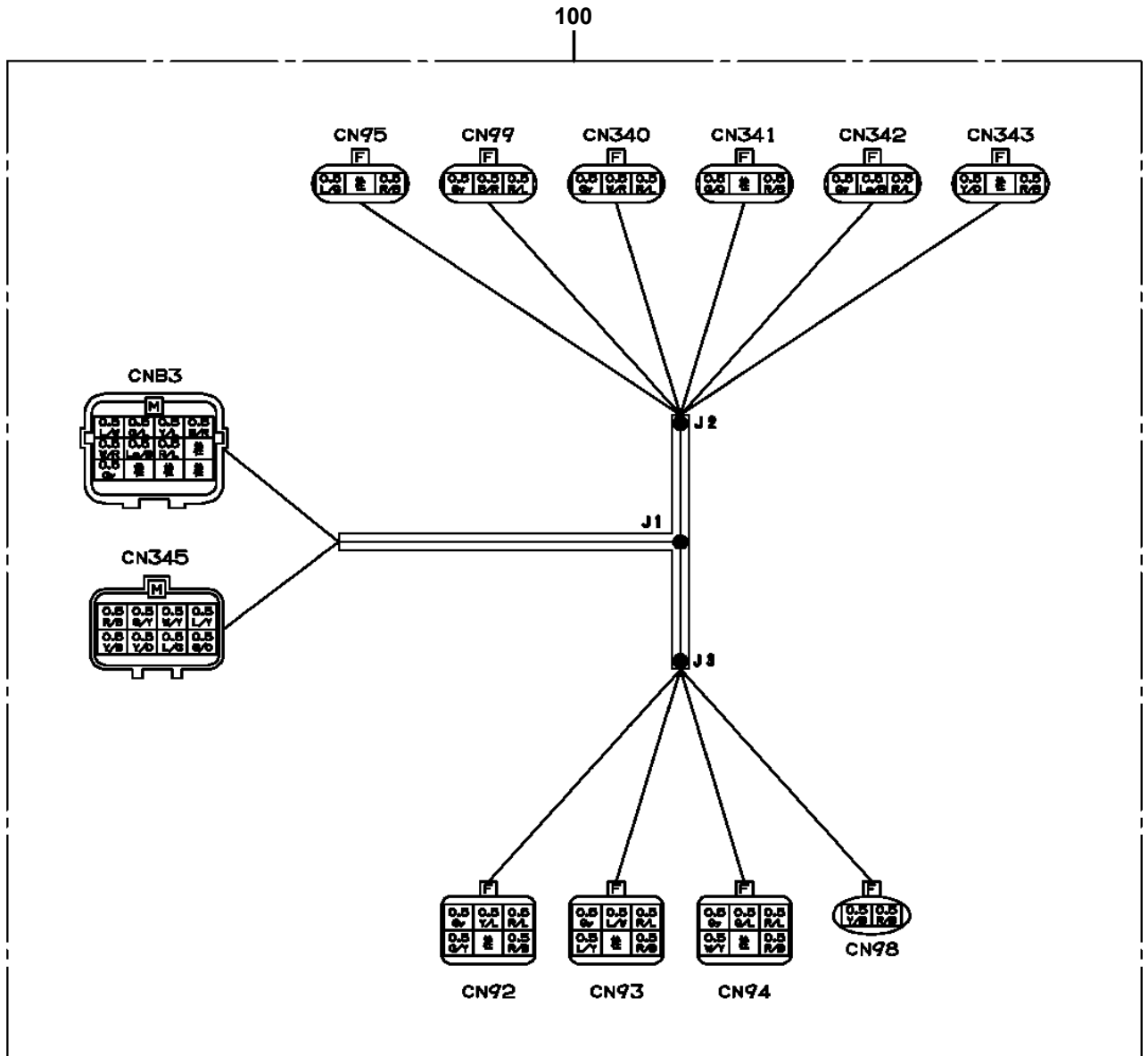
AT-147-3 43010100026 UPPER
PH5031085-00 HARNESS



AT-147-3 43010100026 UPPER
PH5031435-00 HARNESS

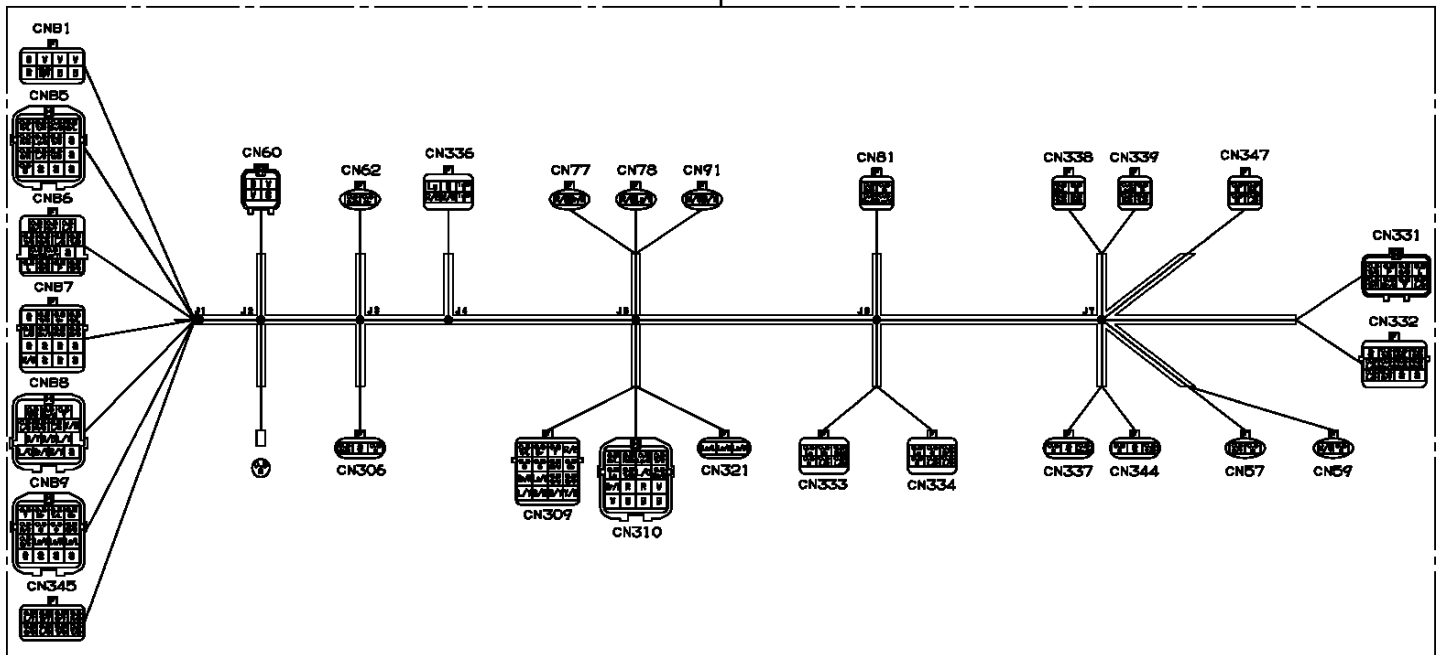


AT-147-3 43010100026 UPPER
PH5032334-00 HARNESS

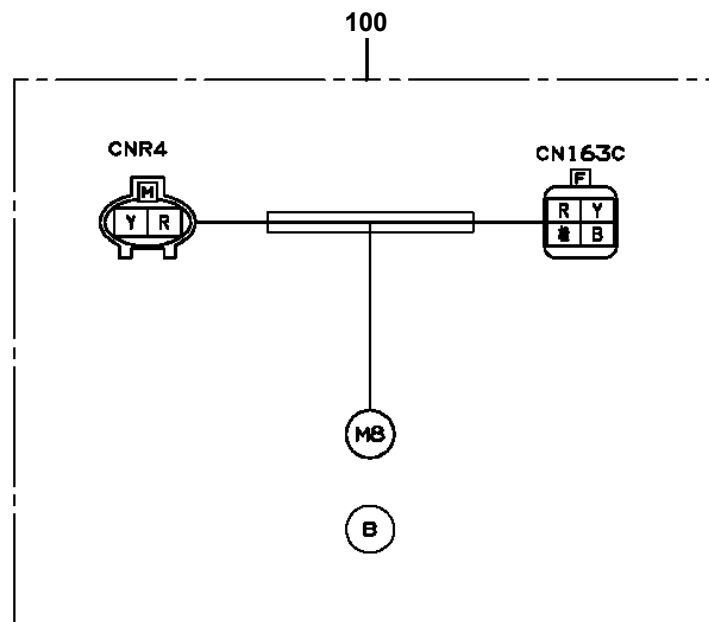


AT-147-3 43010100026 UPPER
PH5032341-00 HARNESS

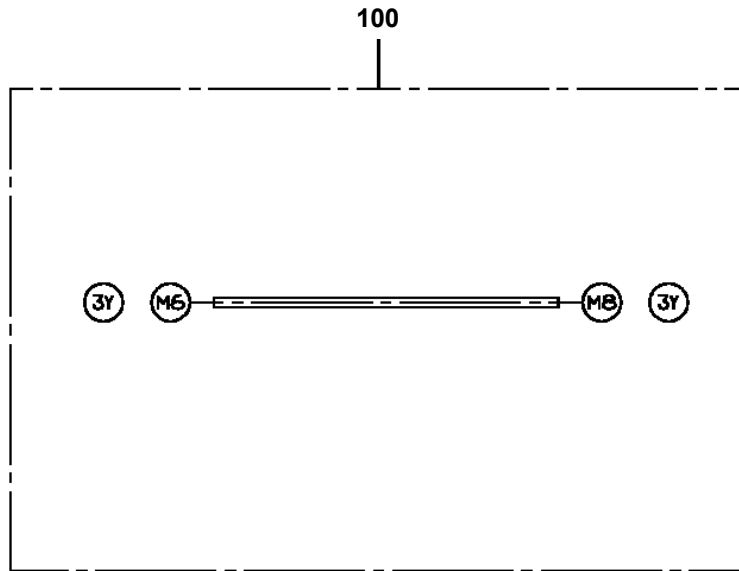
100



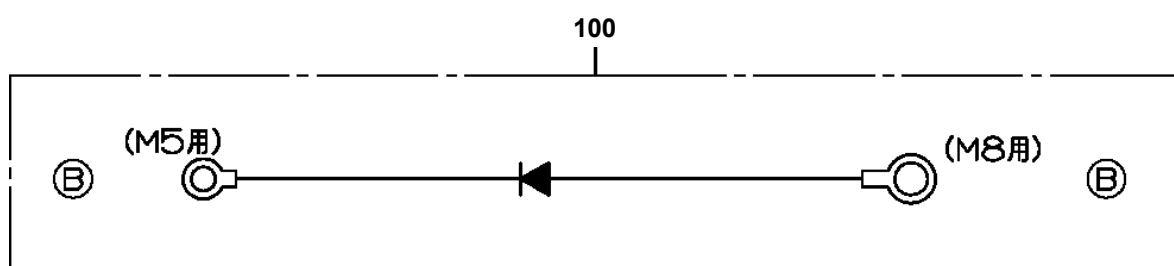
**AT-147-3 43010100026 UPPER
PH5032365-00 HARNESS**



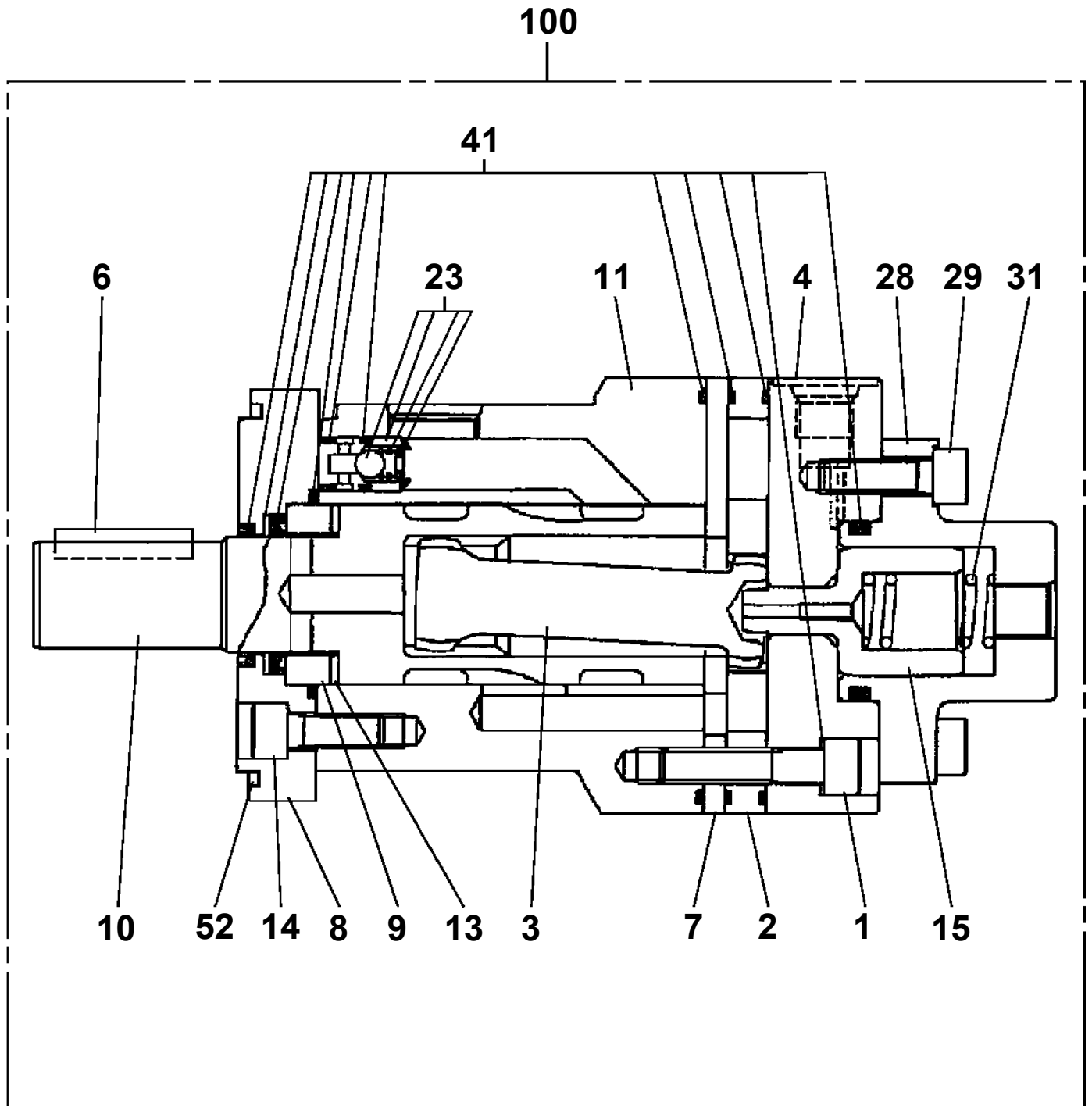
AT-147-3 43010100026 UPPER
PH5034228-00 HARNESS



AT-147-3 43010100026 UPPER
PH5034452-00 HARNESS

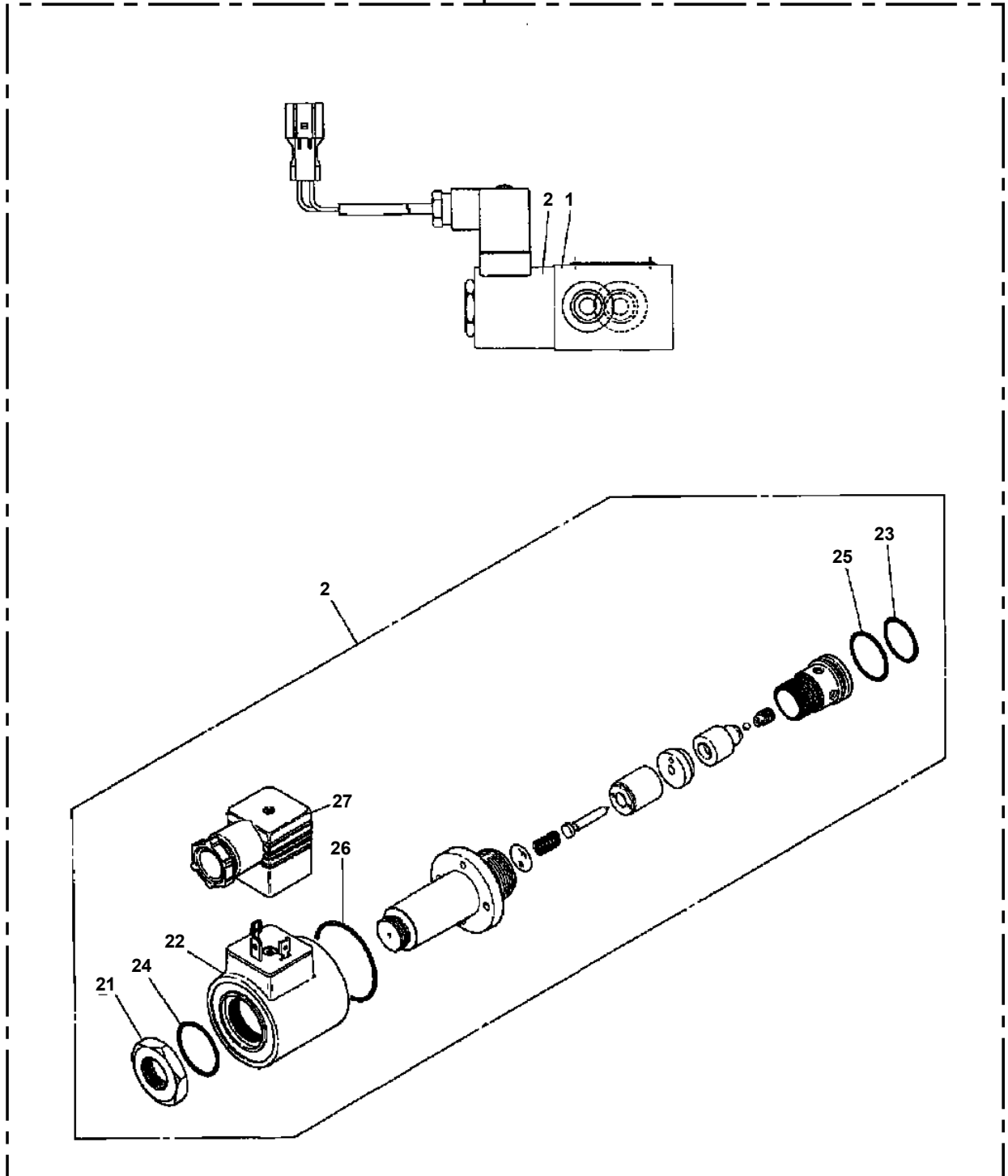


AT-147-3 43010100026 UPPER
PI1010178-01 MOTOR, HYDRAULIC

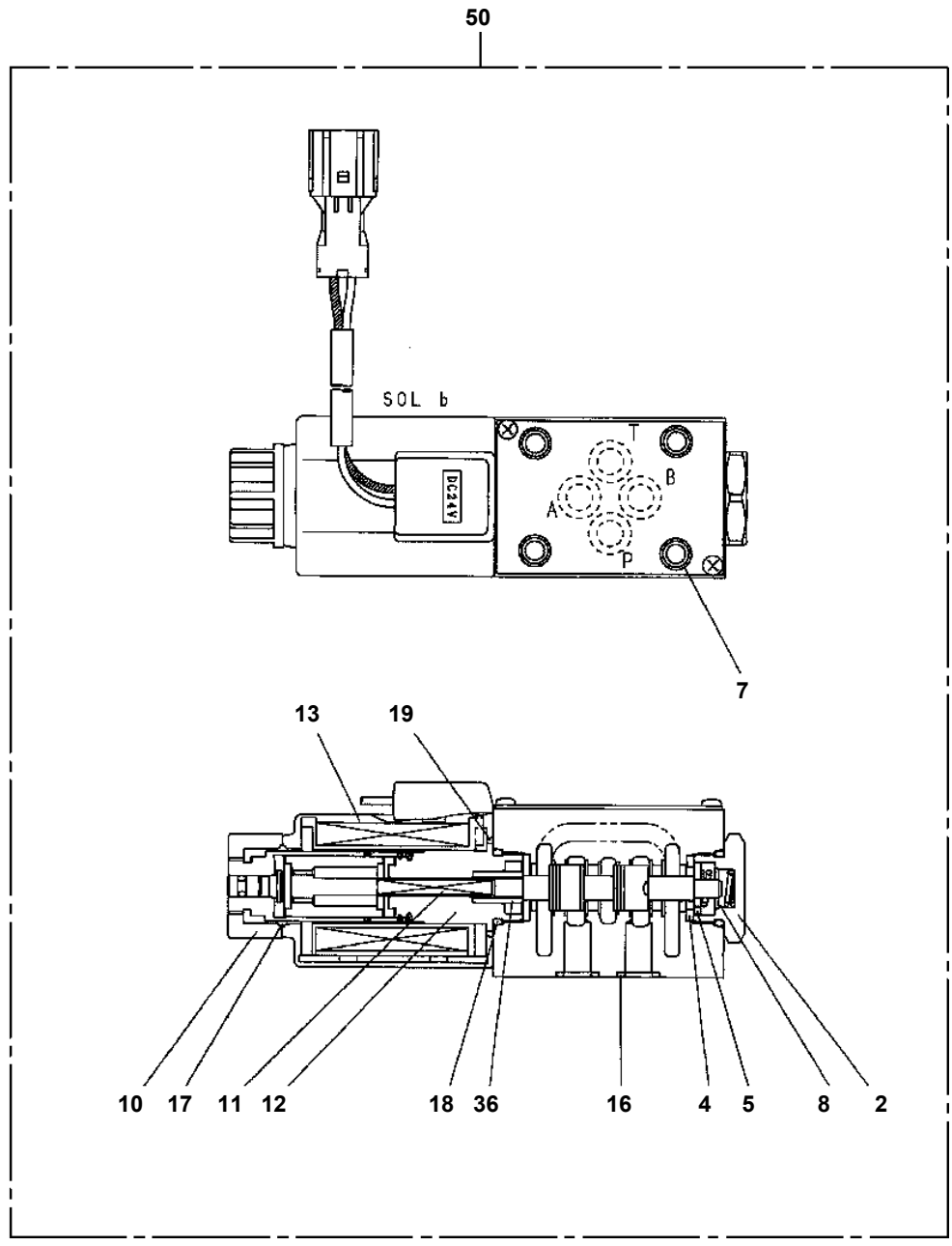


AT-147-3 43010100026 UPPER
PI1120148-01 VALVE,SOLENOID

100



**AT-147-3 43010100026 UPPER
PI1120272-01 VALVE,SOLENOID**



AT-147-3 43010100026 UPPER

Pos No.	Parts No	Parts Name	Qty	Unit	Technical Data	Serial No (Start)	Serial No (End)	Remarks	Page
1	36642765010	NUT	2						
2	36645417510	CORE ASSY	2						
3	36741775010	SOLENOID ASSY	2						
4	36741775020	SPRING	2						
5	36647105010	PIN,SPRING	2						
8	91000501200	O-RING	4						
9	36642765060	WASHER (CENTER)	2						
10	36741775030	PACKING	2						
11	91001102100	O-RING	2		1A P21				
12	36643435040	PIN,SPRING	4						
100	36741780000	VALVE,SOLENOID	1						

AT-147-3 43010100026 UPPER

Pos No.	Parts No	Parts Name	Qty	Unit	Technical Data	Serial No (Start)	Serial No (End)	Remarks	Pages
3	36625060040	SPRING	1						
4	36625515020	PLUG	1						
5	91002801800	O-RING	1		1B P18				
50	36625510000	VALVE,CHECK	1						

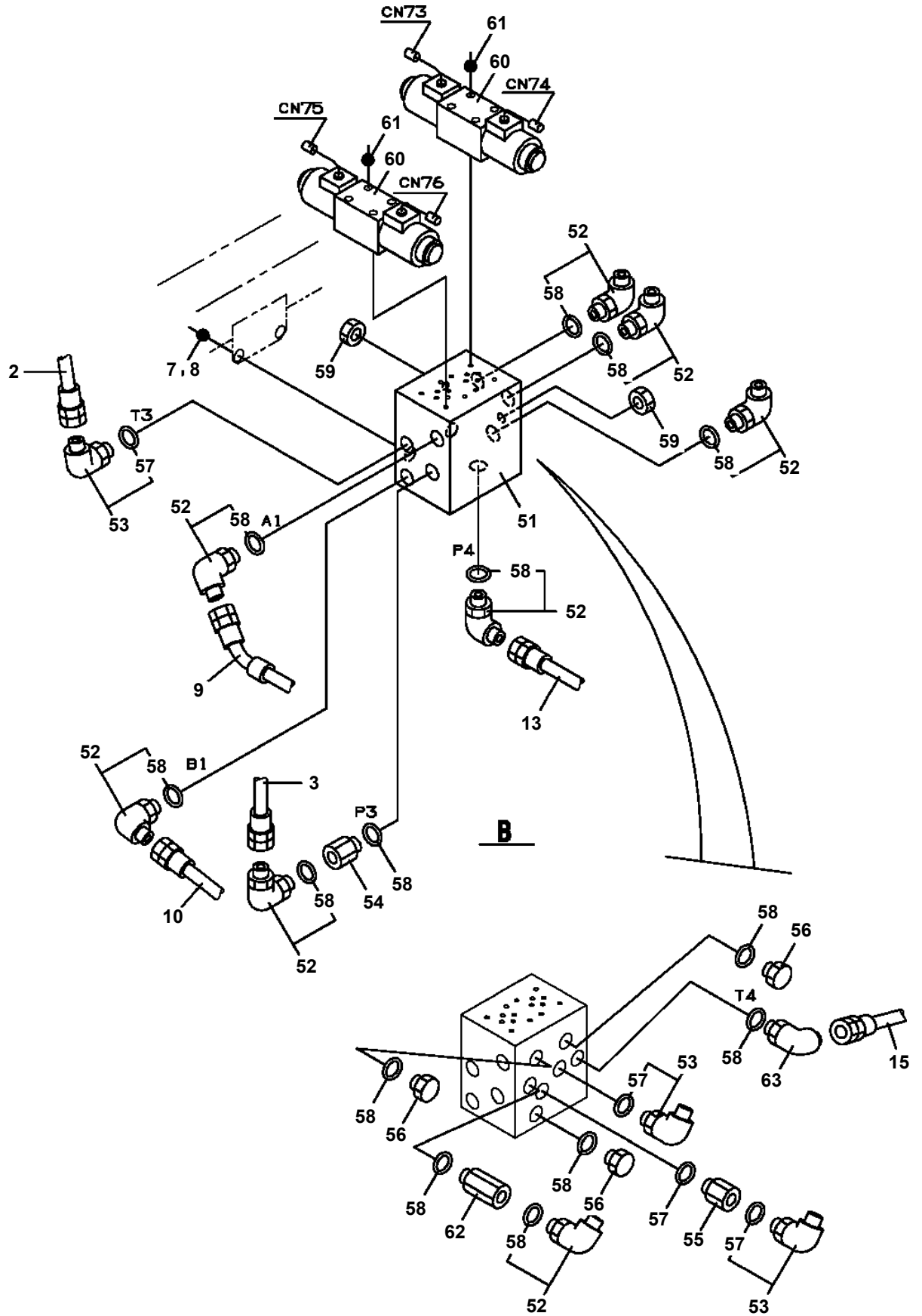
AT-147-3 43010100026 UPPER

Pos No.	Parts No	Parts Name	Qty	Unit	Technical Data	Serial No (Start)	Serial No (End)	Remarks	Pages
12	91002801400	O-RING	2		1B P14				
	91002801400	O-RING	2		1B P14				
100	36625740001	VALVE,CHECK	1						
	36625740001	VALVE,CHECK	1						

AT-147-3 43010100026 UPPER

Pos No.	Parts No	Parts Name	Qty	Unit	Technical Data	Serial No (Start)	Serial No (End)	Remarks	Pages
1	42260171500	CASE,INNER	1						

AT-147-3 43010100026 UPPER
PJ3200093-01 PIPING,BUCKET



CLICK HERE TO **DOWNLOAD** THE COMPLETE MANUAL

- Thank you very much for reading the preview of the manual.
- You can download the complete manual from: www.heydownloads.com by clicking the link below



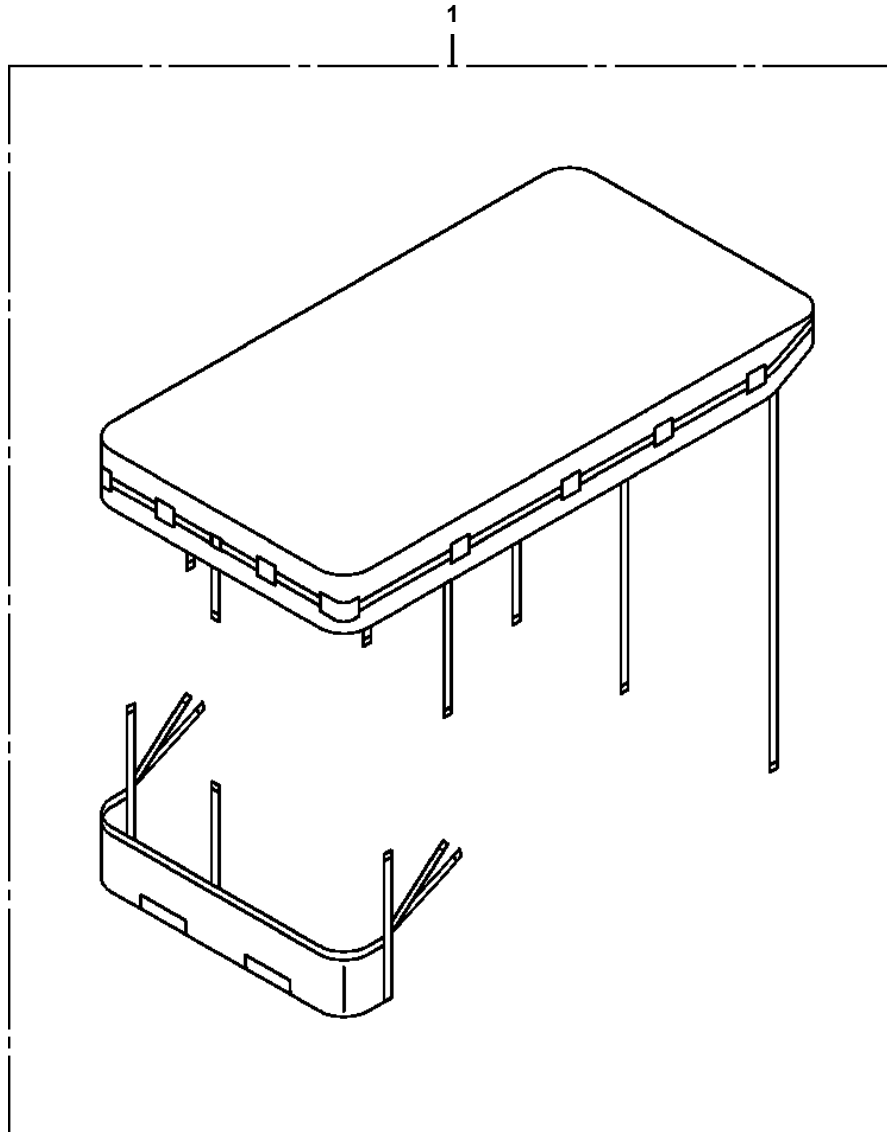
- Please note: If there is no response to CLICKING the link, please download this PDF first and then click on it.

CLICK HERE TO **DOWNLOAD** THE COMPLETE MANUAL

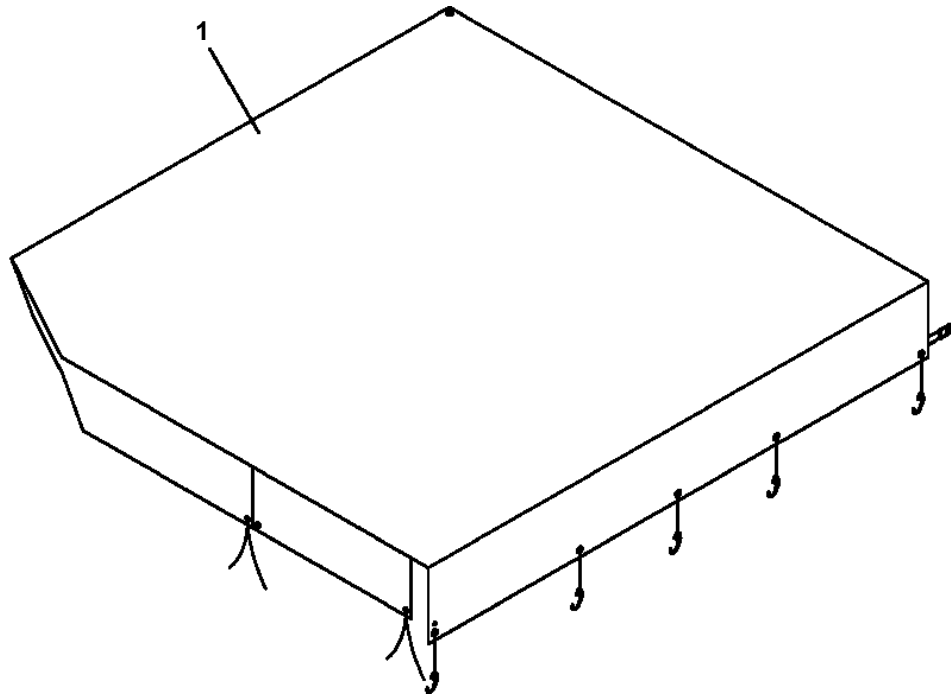
AT-147-3 43010100026 UPPER

Pos No.	Parts No	Parts Name	Qty	Unit	Technical Data	Serial No (Start)	Serial No (End)	Remarks
1	36663410000	MOTOR,HYDRAULIC	1					
2	90172112030	BOLT,HEXAGON SOCKET	2		M12X30			
3	90309341203	WASHER,SPRING	2		12			
4	36340380000	REDUCER,SWING SPEED	1					
5	80582012001	CAM FOLLOWER	4					
7	37000587120	PLATE	4					
8	90302042001	WASHER,SPRING	4		20			
9	90171110025	BOLT	4		M10X25			
10	90201781000	NUT	4		M10			
11	80601111000	RING,RETAINING	1		S100			
12	42267120400	SPACER	1					
13	42267120200	PIN	1					
14	42267120100	PLATE	1					
	42267120110	PLATE	1			590361	590360	
15	37000582110	PLATE	1					
16	90180206012	BOLT,BUTTON	2		M6X12			
17	90302040601	WASHER,SPRING	2		6			
18	42267120300	SPACER	1					
23	90171112070	BOLT	8		M12X70			
24	37000586760	WASHER,PLAIN	15		12			
25	42268021000	FRAME	1					
26	42267962000	FRAME ASSY	1					
27	42267250010	PLATE	N					
28	42267130100	GEAR	1					
29	90730006140	SCREW,SET	2		M6X14			
30	42267120500	SPACER	1					
31	90171112030	BOLT	7		M12X30			
33	37000118070	PIN	2					
34	90101208012	BOLT	2		M8X12			
35	90302040801	WASHER,SPRING	2		8			
36	42267123001	CYLINDER,LIFT (BUCKET)	1					
37	91850210545	FASTENER	1		L=545			
39	42261561600	PLATE,SLIDE	2					
40	37000508520	PLATE	N		T=0.8			
41	37002019140	PLATE,SLIDE	4					
62	80513006920	BEARING,BALL	1					
63	80513006922	BEARING,BALL	1					

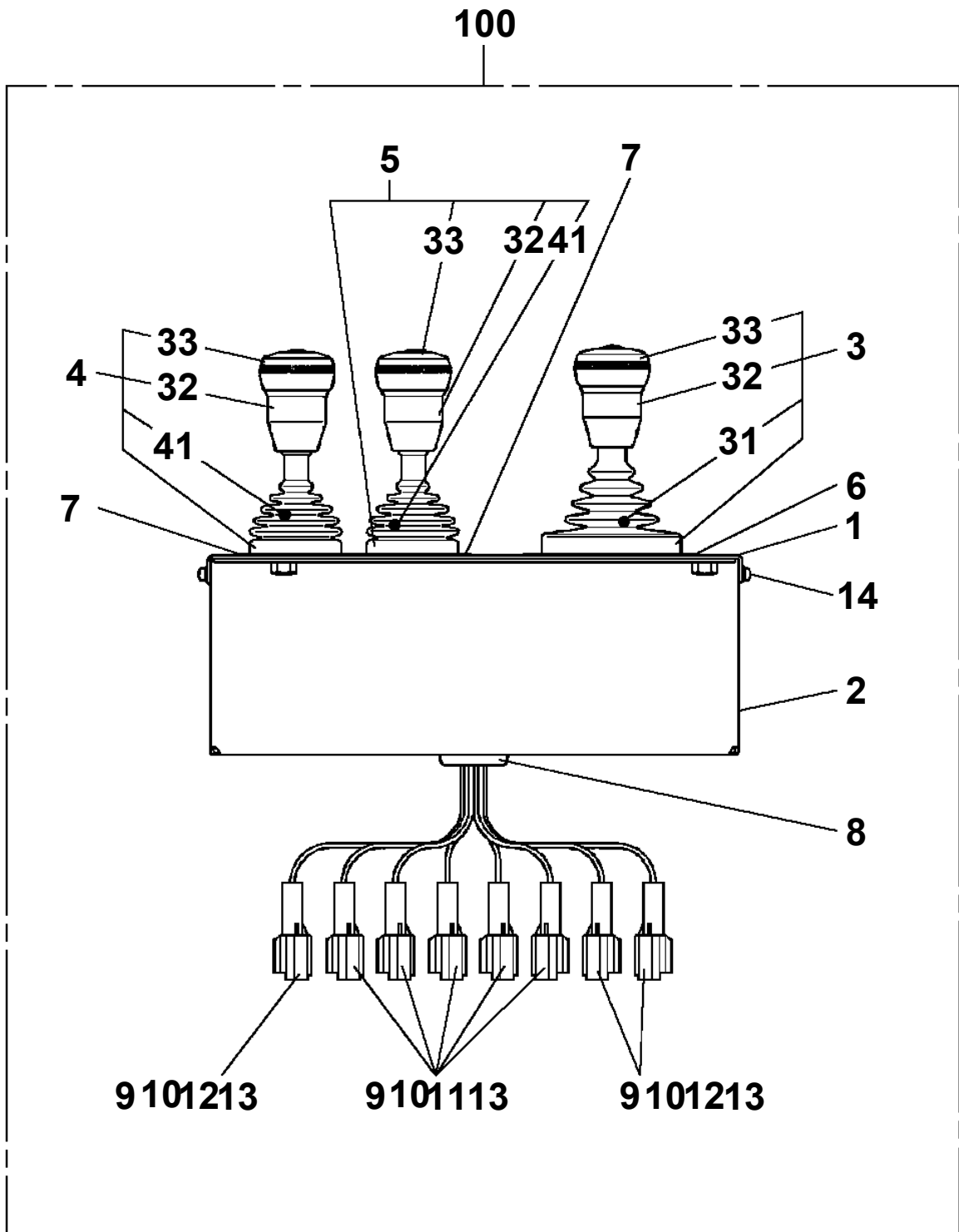
**AT-147-3 43010100026 UPPER
PK1330366-00 COVER (CLOTH,WHITE/BUCKET)**



AT-147-3 43010100026 UPPER
PK1330431-00 COVER (RACK,B)



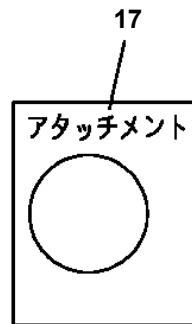
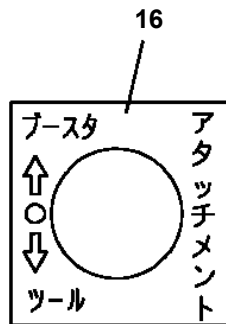
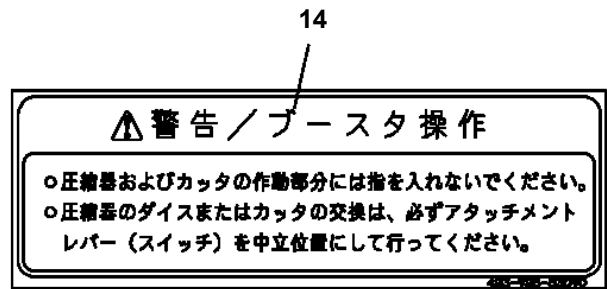
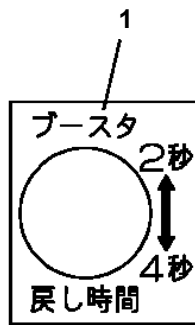
AT-147-3 43010100026 UPPER
PL1020061-00 LEVER,CONTROL



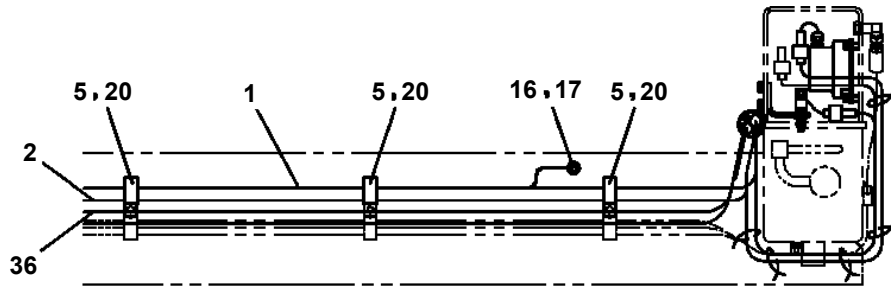
AT-147-3 43010100026 UPPER

Pos No.	Parts No	Parts Name	Qty	Unit	Technical Data	Serial No (Start)	Serial No (End)	Remarks	Pages
50	36663415110	SEAL KIT	1						
100	36663410001	MOTOR ASSY,OIL	1						

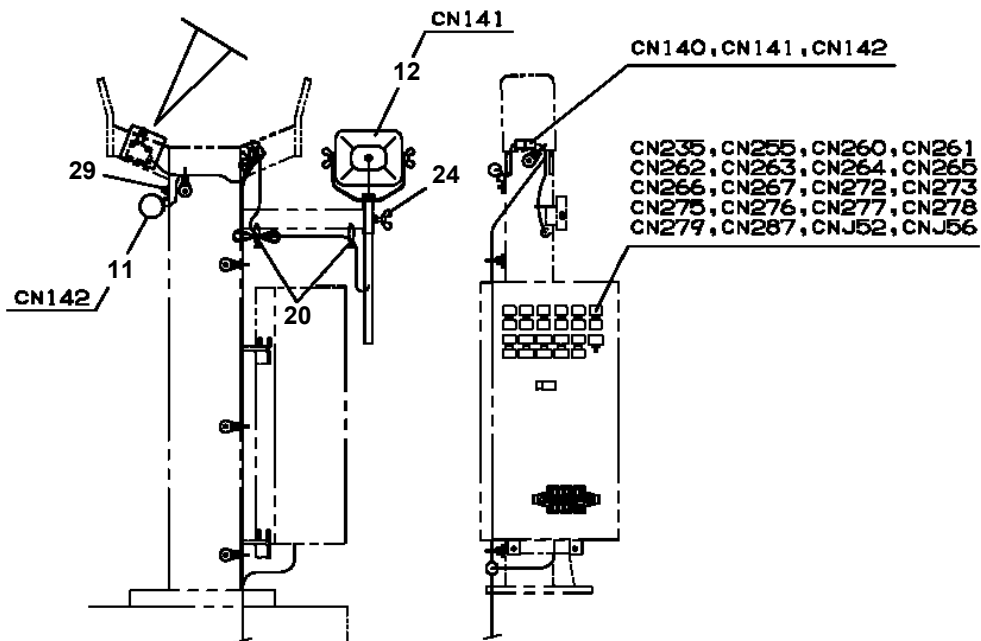
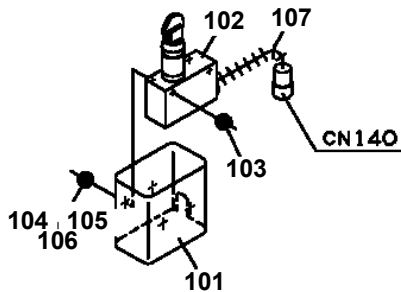
AT-147-3 43010100026 UPPER
PN1014453-03 ELEC.ASSY (BOOSTOR)



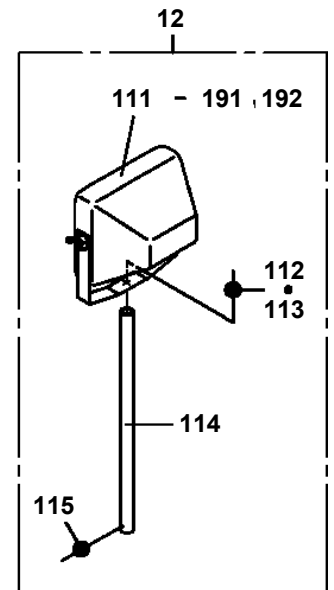
**AT-147-3 43010100026 UPPER
PN1014606-03 ELEC.ASSY (FRAME)**



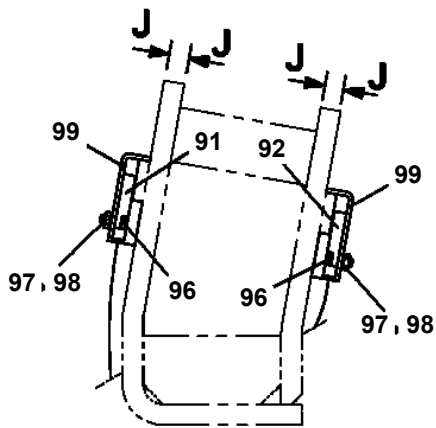
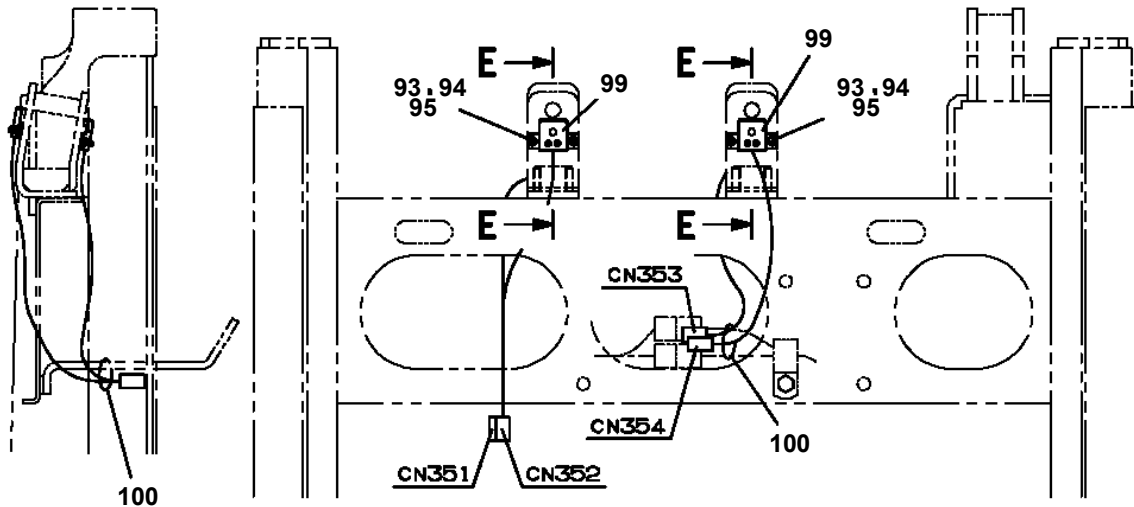
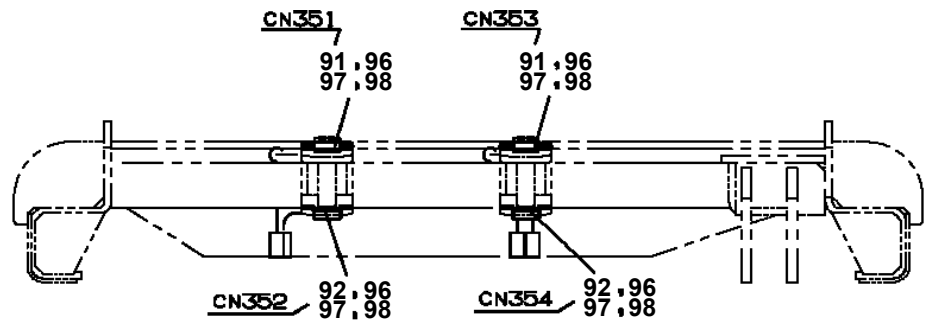
L



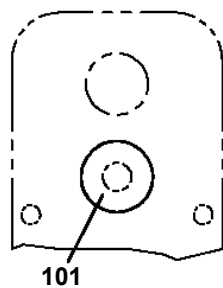
A



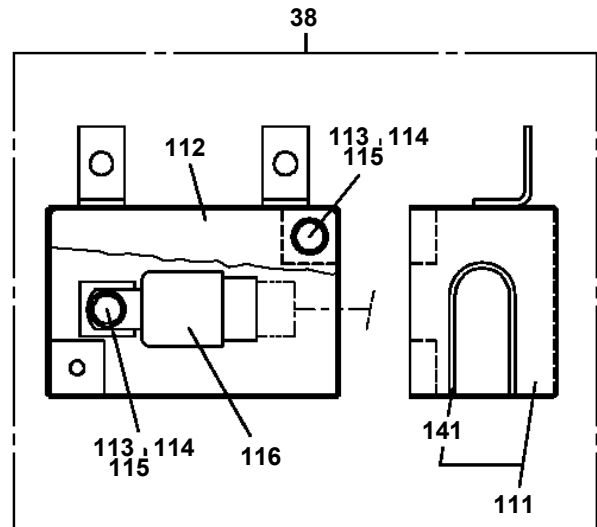
**AT-147-3 43010100026 UPPER
PN1015021-02 ELEC.ASSY (BUCKET)**



E - E



J
(8ヶ所)



AT-147-3 43010100026 UPPER

Pos No.	Parts No	Parts Name	Qty	Unit	Technical Data	Serial No (Start)	Serial No (End)	Remarks
1	42422453102	HARNESS	1					
2	42422263011	HARNESS	1					
3	82100002012	CLAMP	6		WR18			
4	90302040801	WASHER,SPRING	8		8			
5	82100002010	CLAMP	1		WR15			
6	90103212020	BOLT	1		M12X20			
7	90302041201	WASHER,SPRING	1		12			
8	42422263020	CABLE ASSY	1		L=350			
9	90101208014	BOLT	6		M8X14			
10	82100001799	SOLENOID	1					
11	91810130250	FASTENER	10					
13	90302040601	WASHER,SPRING	16		6			
14	42352970300	HARNESS	1					
15	37001709711	CABLE,CONTROL	1					
16	42422263201	SUPPORT	1					
17	90101206012	BOLT	8		M6X12			
18	90303070801	WASHER,PLAIN	5		8			
21	90303070601	WASHER,PLAIN	5		6			
22	80136320012	PIN,SPLIT	2		2X12			
23	37000105720	PIN	2					
24	42800040030	HARNESS	1					
25	90303071201	WASHER,PLAIN	1		12			
26	82174103527	FUSE	1		65A			
27	42422453200	SUPPORT	1					
28	90103208020	BOLT	2		M8X20			
30	90101206020	BOLT	4		M6X20			
31	82100001825	RELAY	1					
32	82100001214	CAP	1					
33	82100001215	CAP	2					
34	82100002006	CLAMP	5		WR10			
35	82100001216	CAP	1					
36	90201200600	NUT	4		M6			
101	36361361010	SWITCH,PRESSURE (OIL)	1				590411	
102	36361361020	SWITCH,THERMO	1				590411	
103	36361361030	SOLENOID ASSY	1					
120	36361361200	PUMP ASSY,FUEL	1					
125	36361361250	TIMER	1					
131	36361365030	REPAIR KIT	1					

AT-147-3 43010100026 UPPER

Pos No.	Parts No	Parts Name	Qty	Unit	Technical Data	Serial No (Start)	Serial No (End)	Re
2	42737850100	GUARD	4					
4	90280200600	NUT,FLANGE	16		M6			
5	42736070100	SWITCH ASSY (WITH HARNESS)	1					
6	82199514013	CAP	1					
7	42502980010	PLATE,NAME	1					
8	82199504017	NUT	1		AT-401N			
9	42502030100	SUPPORT	4					
11	37000306130	SPACER	8		L=8			
12	37000302980	SPACER	8		L=10			
13	90186206030	BOLT,FLANGE	16		M6X30			
21	82199444327	LAMP (YELLOW)	4		24V 12W			
22	90186206025	BOLT,FLANGE	16		M6X25			
23	82199444328	LAMP (YELLOW)	4		24V 12W			
24	42502980100	SUPPORT	4					
25	82199444329	LAMP (YELLOW)	4		24V 12W			
26	42505221100	GUARD (STEEL CAST)	4					
	42505221200	GUARD	4					
27	90280200600	NUT,FLANGE	8		M6			
28	90186206030	BOLT,FLANGE	8		M6X30			
41	82166600010	BULB,LAMP	12		24V/12W			

AT-147-3 43010100026 UPPER

Pos No.	Parts No	Parts Name	Qty	Unit	Technical Data	Serial No (Start)	Serial No (End)	Remarks	Pa
1	42352197510	PLATE	1						
2	42352191040	BOARD,CIRCUIT	1				590503		
	42352191041	BOARD,CIRCUIT	1			590504			
7	42352197520	BOARD (HEAT THINK)	1						
10	42352191000	CONVERTER (DC-DC)	1						

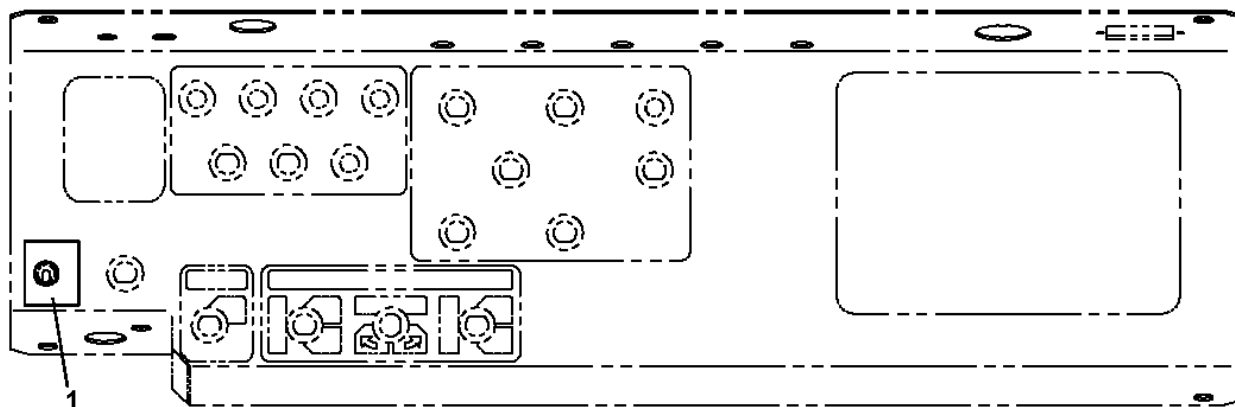
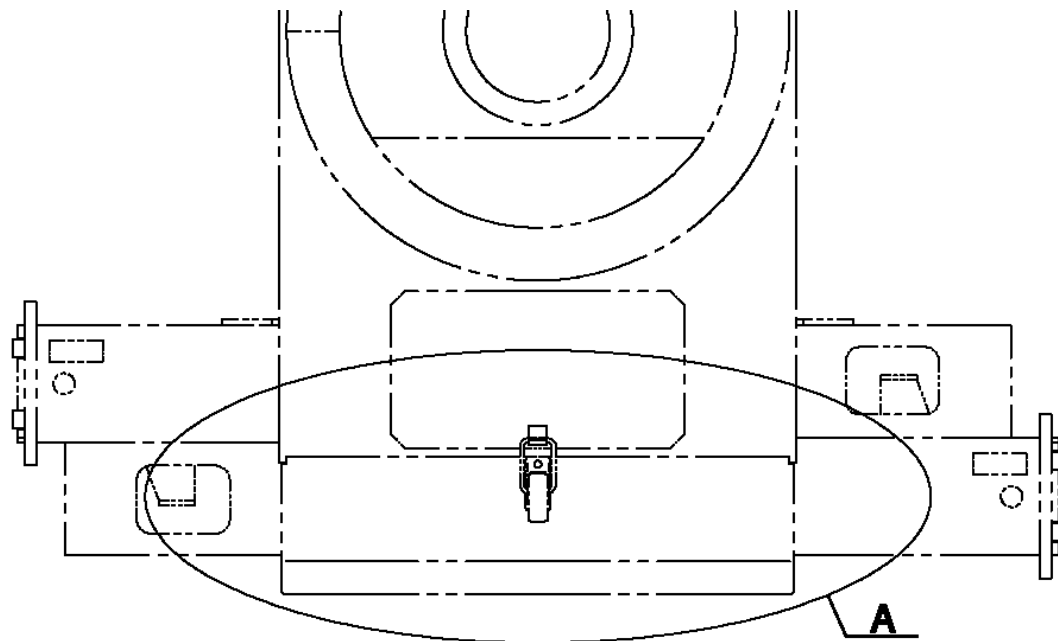
AT-147-3 43010100026 UPPER

Pos No.	Parts No	Parts Name	Qty	Unit	Technical Data	Serial No (Start)	Serial No (End)	Remarks	Pages
6	82105220112	SWITCH,TOGGLE	1						
50	42502962100	HARNESS	1						

AT-147-3 43010100026 UPPER

Pos No.	Parts No	Parts Name	Qty	Unit	Technical Data	Serial No (Start)	Serial No (End)	Remarks	Pages
1	42398251010	PLATE,NAME	1						

AT-147-3 43010100026 UPPER
PO1015003-01 PLATE ASSY,NAME (SAFETY ROPE INTERLOCK,O/R)



A
扉開放時



AT-147-3 43010100026 UPPER

Pos No.	Parts No	Parts Name	Qty	Unit	Technical Data	Serial No (Start)	Serial No (End)	Remarks	Pages
1	42503744510	PLATE,NAME	1						

AT-147-3 43010100026 UPPER

Pos No.	Parts No	Parts Name	Qty	Unit	Technical Data	Serial No (Start)	Serial N
1	42397041010	PLATE,NAME	1				
3	42395161010	PLATE,NAME (AT-147CE)	1				
4	(*****)	PLATE,NAME (LIVE-LINE WORKING DEVICE)	1				
5	37002202120	PLATE,NAME (HIGH/LOW)	1				
6	37002201980	PLATE,NAME	3				
7	12117140000	PLATE,NAME (GREASE)	14				
8	42399001010	PLATE,NAME (FUSE)	1				
9	42394271310	PLATE,NAME (MARKING)	6				
10	42398291040	PLATE,NAME	1				
11	42393312020	PLATE (NON-SLIP)	2				
12	42393891060	PLATE (NON-SLIP)	4				
13	34393926560	PLATE (NON-SLIP)	4				
14	42390960190	REFLECTOR (WHITE/RED)	2				
15	42930890210	PLATE,NAME	1				
16	42398291050	PLATE,NAME (MARKING)	2				
31	37002228460	PLATE,NAME (BLUE & BLACK)	2				
32	37002228470	PLATE,NAME (WHITE & WHITE)	2				

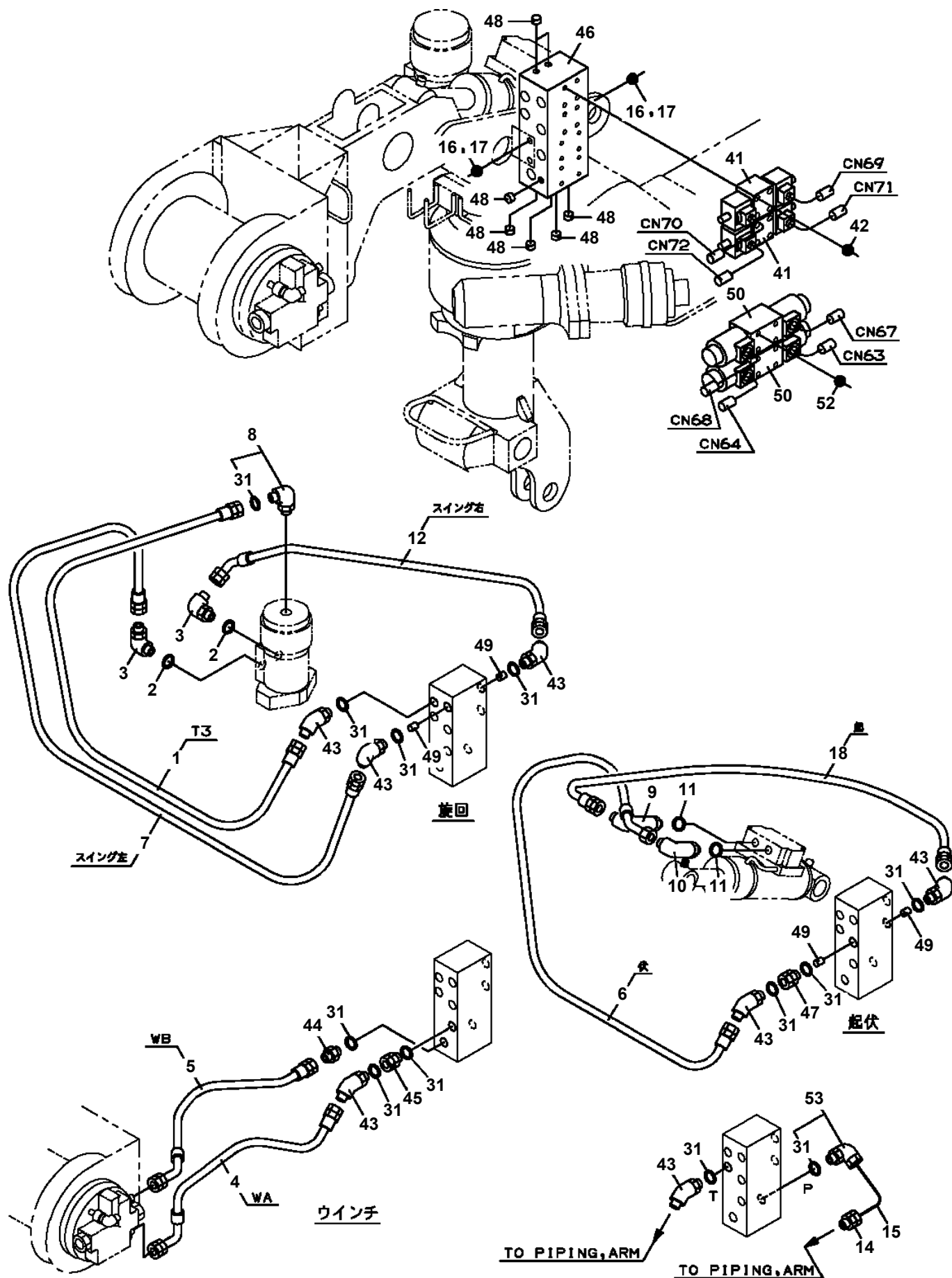
AT-147-3 43010100026 UPPER

Pos No.	Parts No	Parts Name	Qty	Unit	Technical Data	Serial No (Start)	Serial No (End)	Remarks	Pages
7	42332677560	SPRING	1						
11	42332677520	PLUG	1						
12	42332677530	BOOT	1						
21	42332677610	COVER	1						
22	42332677620	CAP	1						
23	42332671010	PLATE	1						
47	42332677630	BEARING	2						
48	42332677540	SPRING	1						
49	42332677650	SPRING	2						
54	42332677660	WASHER	1						
100	42333572000	OPE.ASSY	1						

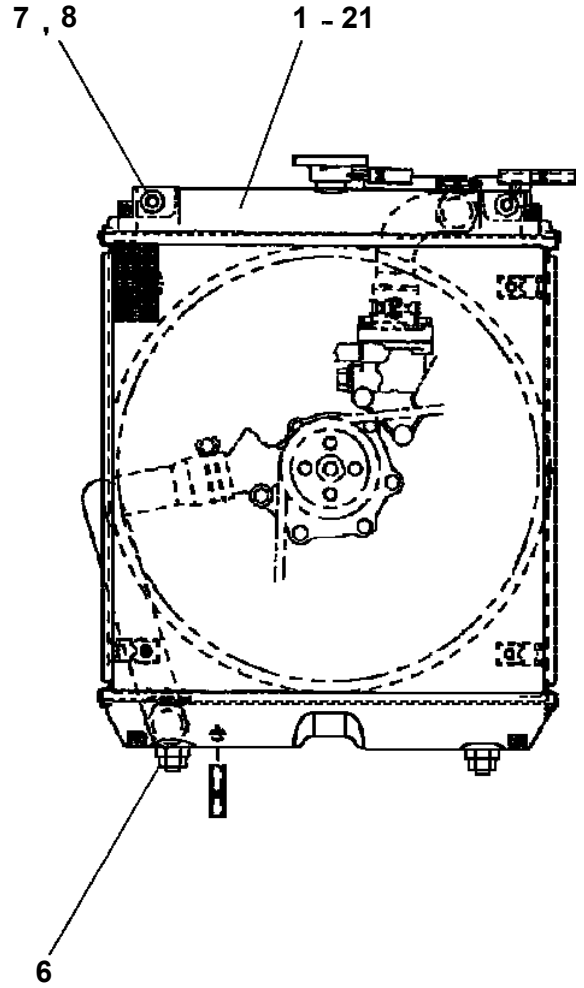
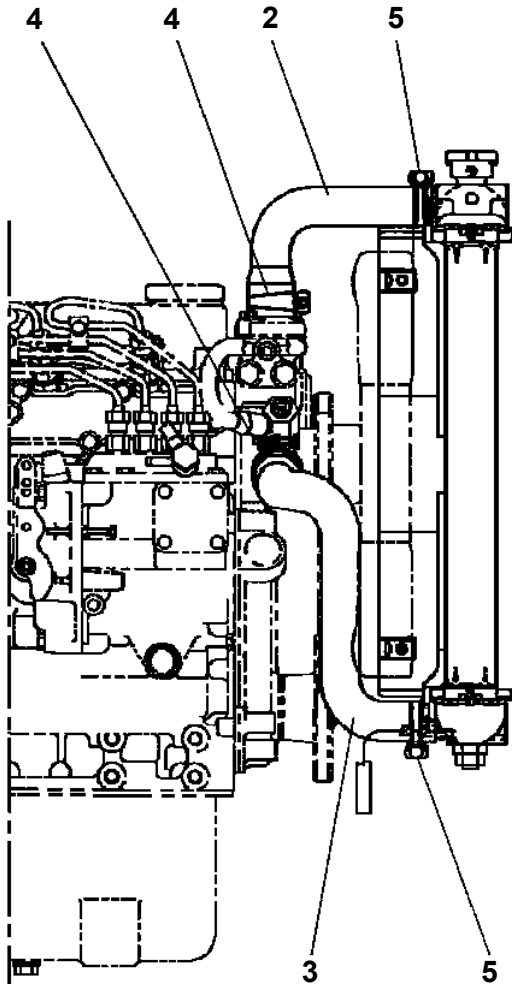
AT-147-3 43010100026 UPPER

Pos No.	Parts No	Parts Name	Qty	Unit	Technical Data	Serial No (Start)	Serial No (End)	Remarks	Pages
1	37002438420	HOSE	1		L=1850 TO 1800				
2	37002437130	HOSE	1		L=1900				
3	37002456180	HOSE	1		L=1850				
4	82100001411	TUBE, SPIRAL	2	M	SE-08BK				
5	90101208015	BOLT	2		M8X15				
6	90302040801	WASHER, SPRING	2		8				
8	91810130270	FASTENER	20						
9	91002801800	O-RING	2		1B P18				
10	80481304024	JOINT	2						
11	37002406620	HOSE	1		L=1660				
12	37002415120	HOSE	1		L=1650				
13	37002473680	HOSE	1		L=1720				
14	37002437630	HOSE	1		L=1840				
15	42832750010	PLATE	1						
16	37002479570	HOSE	2		L=1090				
17	37002473640	HOSE	1		L=1040				
19	37002471530	HOSE	1		L=2040				
20	37002406670	HOSE	2		L=1610				
21	82420912713	TRIM	1	M					
22	80430620400	JOINT	2						
41	42347241100	JOINT	1						
42	80400160129	JOINT	4						
43	80400160127	JOINT	5						
44	80316090020	PLUG	3		KKT PT1/8				
45	91002801100	O-RING	7		1B P11				
46	91002801400	O-RING	4		1B P14				

AT-147-3 43010100026 UPPER
 PP6390011-00 PIPING ASSY,WINCH



**AT-147-3 43010100026 UPPER
PR5020017-01 RADIATOR ASSY**



AT-147-3 43010100026 UPPER

Pos No.	Parts No	Parts Name	Qty	Unit	Technical Data	Serial No (Start)	Serial No (End)	Remarks
1	42900252102	CASE	1					
2	42900252201	COVER ASSY	1					
3	80182306014	SCREW,MACHINE	8		M6X14			
4	90302040601	WASHER,SPRING	9		6			
5	90303070601	WASHER,PLAIN	10		6			
6	42652831300	TERMINAL ASSY	1					
7	80197585012	SCREW,MACHINE	38		M5X12			
8	34354781710	RELAY (WITH BRACKET)	34					
9	34354781740	RELAY	1					
10	82161324080	RELAY	2					
11	42900002100	TERMINAL ASSY	1					
12	80172303016	SCREW,MACHINE	4		M3X16			
13	90302040301	WASHER,SPRING	6		3			
14	90303070301	WASHER,PLAIN	6		3			
16	90186206010	BOLT,FLANGE	4		M6X10			
17	82100002016	CLAMP	1		WR25			
18	90201200600	NUT	1		M6			
19	42651091100	RELAY ASSY	1					
20	80172303008	SCREW,MACHINE	2		M3X8			
21	82193104010	TIMER	1					
22	82199607110	SOCKET	1					
23	80172304030	SCREW,MACHINE	2		M4X30			
24	90302040401	WASHER,SPRING	2		4			
25	42900252300	SUPPORT	1					
26	34354781730	RELAY	1					
41	42900252230	COVER	1					
42	42653235321	COVER	1					
43	90813106015	BOLT	2		M6X15			
44	90302040601	WASHER,SPRING	2		6			
45	90303070601	WASHER,PLAIN	2		6			
100	42901882001	RELAY BOX ASSY	1					

AT-147-3 43010100026 UPPER

Pos No.	Parts No	Parts Name	Qty	Unit	Technical Data	Serial No (Start)	Serial No (End)	Rem
1	37001508610	BOLT,HEXAGON SOCKET	2		M12X50			
2	80513006813	BEARING,BALL	1					
3	90238402008	NUT,CASTLE	1		M20			
4	90303072001	WASHER,PLAIN	1		20			
5	80136340040	PIN,SPLIT	1		4X40			
6	37000172650	PIN	1					
7	37000516640	PLATE	3		T=1			
8	80136363050	PIN,SPLIT	3		6.3X50			
9	36624630000	VALVE,CHECK	1					
10	90172110050	BOLT,HEXAGON SOCKET	4		M10X50			
11	36051830000	CYLINDER,WINCH JIB (POWER)	1					
12	36662750001	MOTOR ASSY,OIL	1					
13	42311211100	PIN	1					
14	82400000459	CAP	2					
15	37000164330	PIN	1					
16	42220249510	ROPE,WIRE	1	M				
17	82112001022	SLEEVE	2					
18	42311863000	FRAME	1					
19	82400000317	CATCH	1					
20	80175304008	SCREW,MACHINE	2		M4X8			
21	42311011100	PIN	1					
22	80173304010	SCREW,MACHINE	4		M4X10			
23	42312282000	TABLE,SLEWING	1					
24	42311891060	PIN	1					
25	90101208012	BOLT	2		M8X12			
26	80728106028	PIN,SPRING	2		6X28			
27	42311951102	GEAR ASSY	1					
28	80601110650	RING,RITAINING	1		S65			
29	42311341100	SUPPORT	1					
30	90101210020	BOLT	2		M10X20			
31	90302041001	WASHER,SPRING	2		10			
32	80913136480	KEY	1					
33	42311211010	GEAR	1					
34	42311211020	STOPPER	1					
35	90171108035	BOLT	1		M8X35			
36	90302040801	WASHER,SPRING	3		8			
37	42310822050	WIRE	1					
38	42310952020	WASHER,PLAIN	2		12			
39	80513006008	BEARING,BALL	2					
40	90201200600	NUT	2		M6			
41	42310952400	SUPPORT	1					
42	42310952600	GUIDE	2					
43	42310952700	GUIDE	2					
44	42311891050	PLATE	1					
62	82400000205	GROMMET	1					
64	82456201000	NIPPLE,GREASE	1		A-TYPE PT1/8			
65	80801003020	BEARING,PLAIN	2					
82	80513006015	BEARING,BALL	1					

AT-147-3 43010100026 UPPER

Pos No.	Parts No	Parts Name	Qty	Unit	Technical Data	Se
1	82109833232	SWITCH	1			
2	82100002220	CABLE	4	M		
3	82100002173	CONNECTOR	1			
50	42509160000	SWITCH ASSY (ELEC.BOOSTER, REMOTE:3M,NANABOSI,KASUGA)	1			

AT-147-3 43010100026 UPPER

Pos No.	Parts No	Parts Name	Qty	Unit	Technical Data	Serial No (Start)	Serial No (End)
1	42470980100	SWITCH,PUSH	1				
2	82100002220	CABLE	3	M			
3	82116920411	CONNECTOR	1				
4	82122910100	CAP	1				
100	42479580000	SWITCH BOX(BOOSTER,3M/SANWA)	1				

AT-147-3 43010100026 UPPER

Pos No.	Parts No	Parts Name	Qty	Unit	Technical Data	Serial No (Start)	Serial No (End)	R
1	91002801400	O-RING	2		1B P14			
100	36606450000	VALVE ASSY,COUNTERBALANCE	1					

AT-147-3 43010100026 UPPER

Pos No.	Parts No	Parts Name	Qty	Unit	Technical Data	Serial No (Start)	Serial No (End)	Remarks	Pages
1	42470340000	MAT	1		1000X630 T=6				
	42470340000	MAT	1		1000X630 T=6				

AT-147-3 43010100026 UPPER

Pos No.	Parts No	Parts Name	Qty	Unit	Technical Data	Serial No (Start)	Serial No (End)	Remarks	Pages
1	36073820000	WINCH	1						000093
2	42310951100	SUPPORT	1						
3	42310951200	SUPPORT	1						
4	42310951020	JOINT	1						
5	80320030050	FITTING,ELBOW	1		KLE10-020N				
6	42310951300	PIN	1						
7	37002600400	WEDGE	1						
8	90101212018	BOLT	6		M12X18				
9	90302041201	WASHER,SPRING	6		12				
10	90101210016	BOLT	4		M10X16				
11	90302041001	WASHER,SPRING	4		10				
12	90101208018	BOLT	4		M8X18				
13	90302040801	WASHER,SPRING	6		8		590393		
	90302040801	WASHER,SPRING	8		8	590394			
14	80400160128	JOINT	2		S,G3/8-G1/4				
15	91002801400	O-RING	2		1B P14				
16	42311917100	SUPPORT	1						
17	90102208035	BOLT	2		M8X35				
18	90201200800	NUT	2		M8				
19	90303070801	WASHER,PLAIN	2		8				

AT-147-3 43010100026 UPPER

Pos No.	Parts No	Parts Name	Qty	Unit	Technical Data	Serial No (Start)	Serial No (End)	Remarks	Pages
1	42736320100	STEP	1						
2	34393906550	PLATE (NON-SLIP)	2						

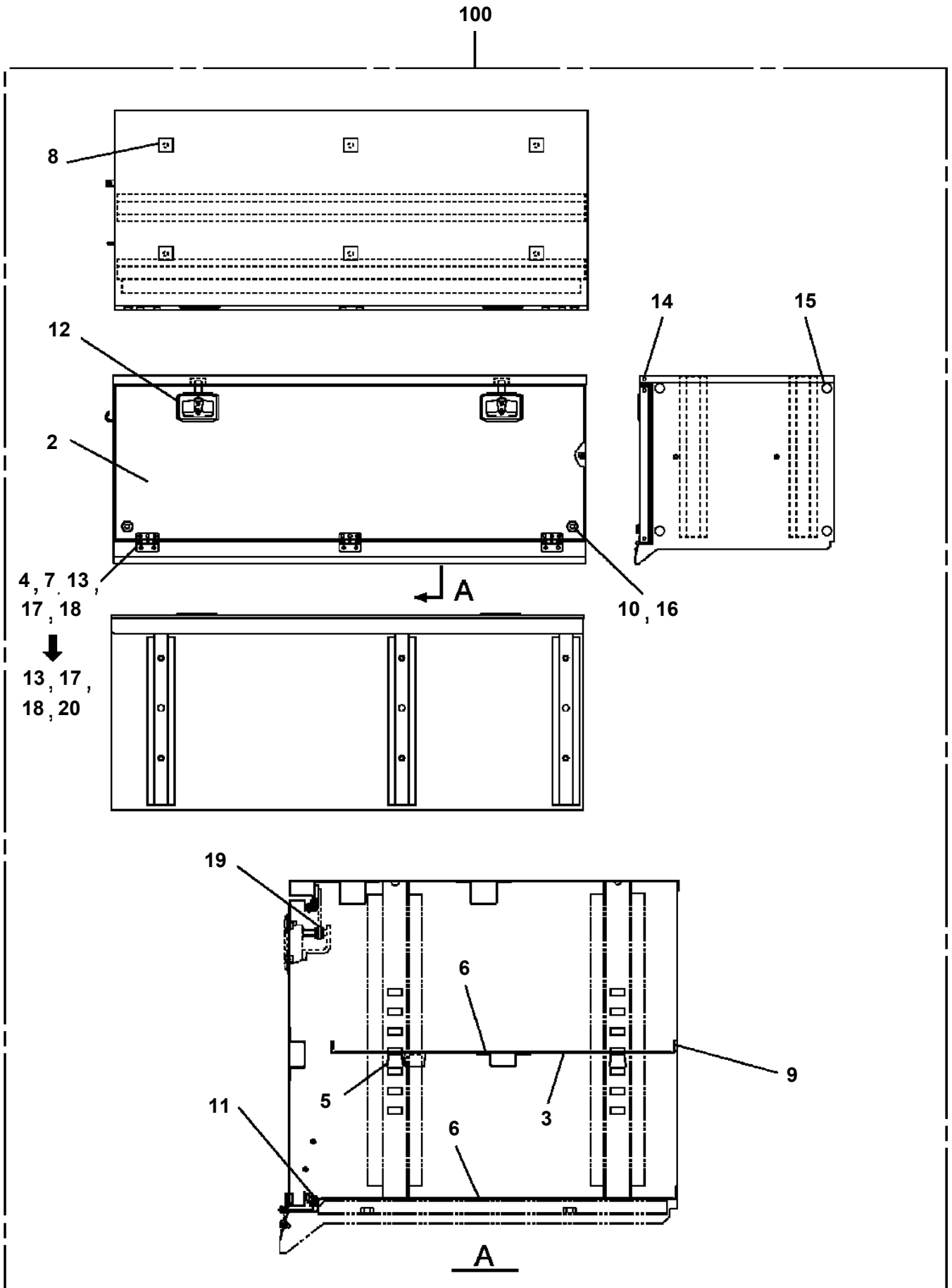
AT-147-3 43010100026 UPPER

Pos No.	Parts No	Parts Name	Qty	Unit	Technical Data	Serial No (Start)	Serial No (End)
1	42738400000	WOOD BLOCK (WITH RUBBER,T=100)	1				

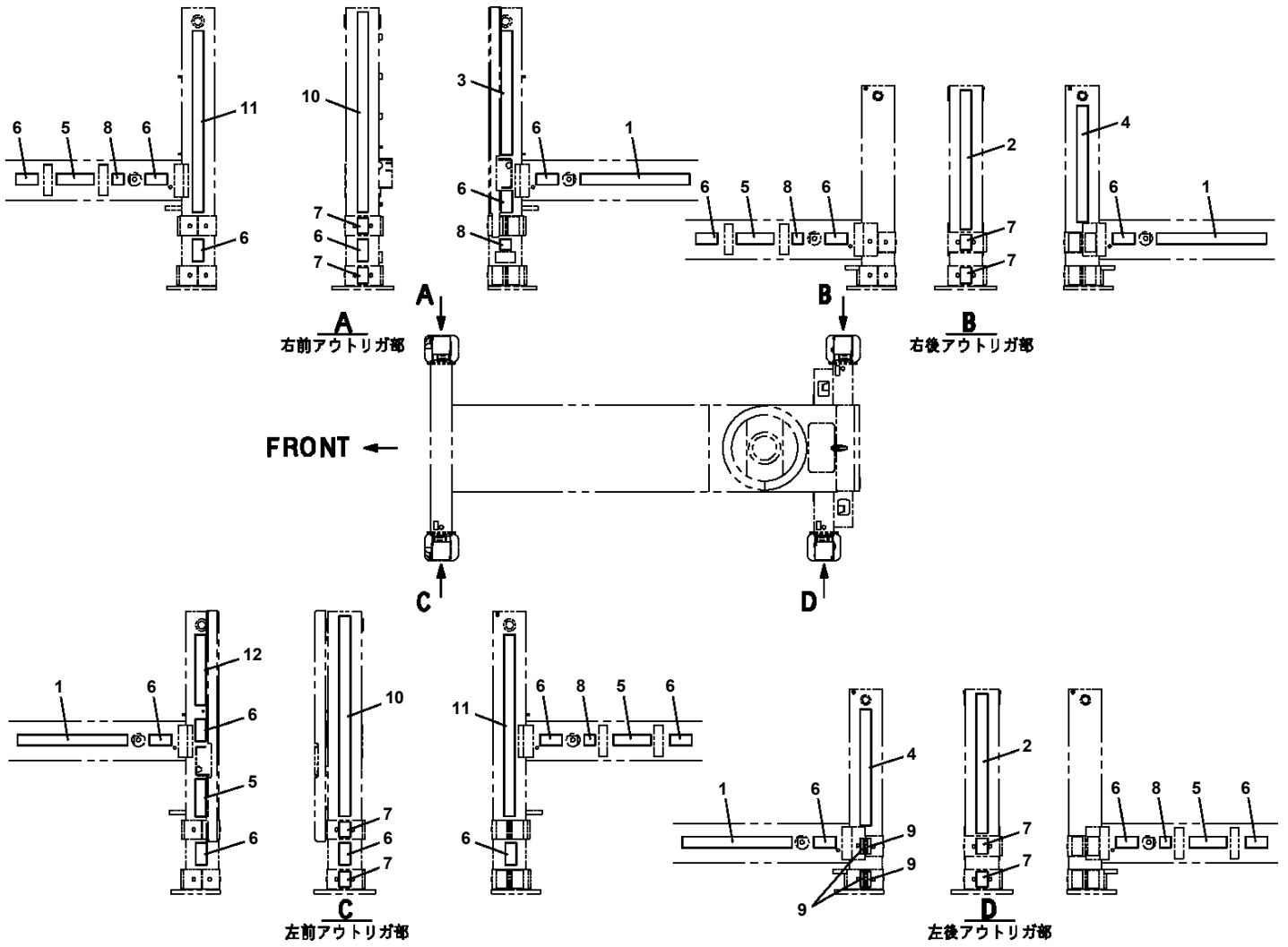
AT-147-3 43010100026 UPPER

Pos No.	Parts No	Parts Name	Qty	Unit	Technical Data	Serial No (Start)	Serial No (End)	Remarks	Pages
1	42351420200	SUPPORT	1						
2	42351420100	SUPPORT	1						
3	82430138010	KNOB	3						
4	90101208040	BOLT	2		M8X40				
5	90303070801	WASHER,PLAIN	2		8				
6	37000506550	PLATE	2		T=1.6				
7	90302040801	WASHER,SPRING	2		8				
8	90101208030	BOLT	1		M8X30				

AT-147-3 43010100026 UPPER
PX1351074-01 BOX, TOOL

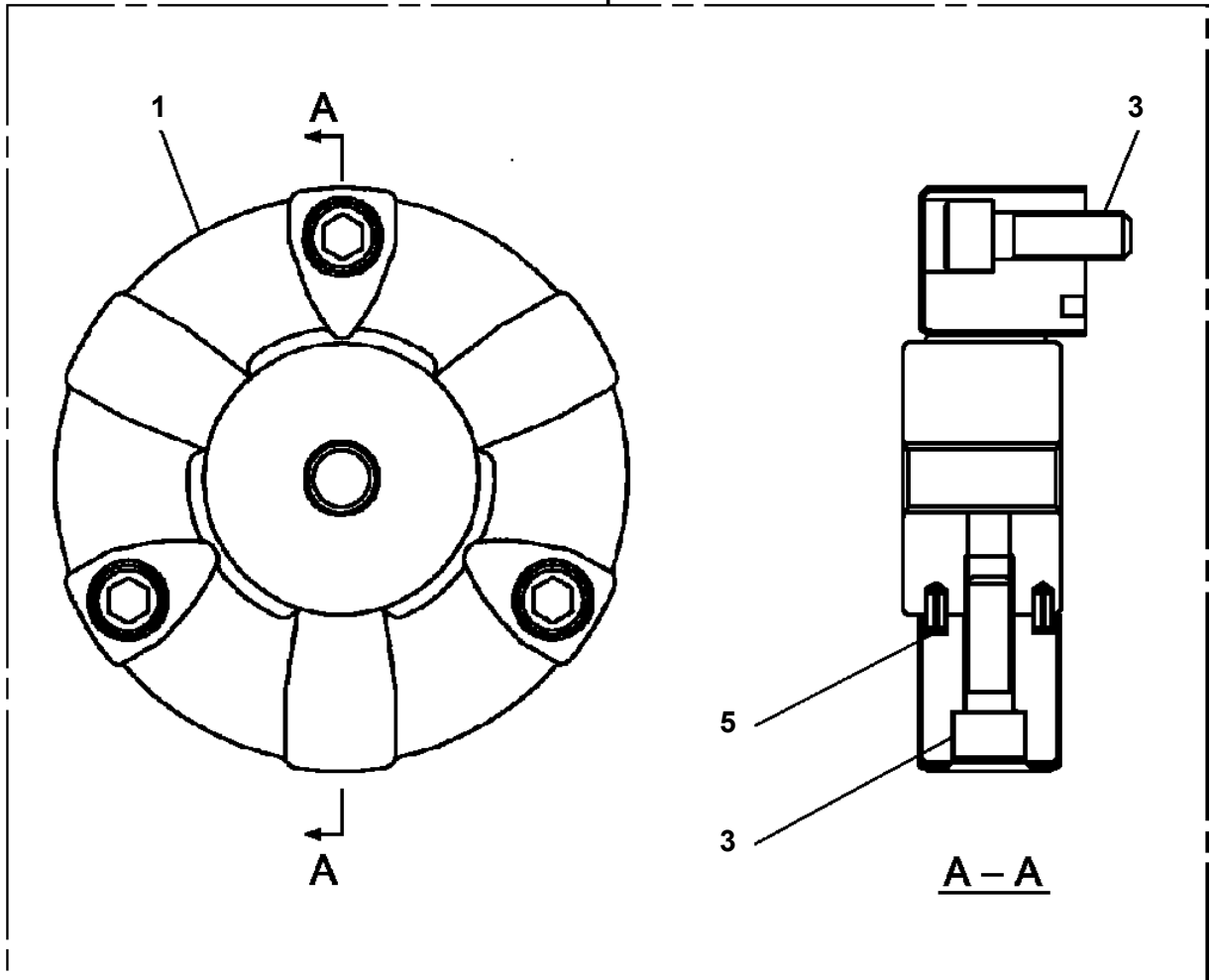


**AT-147-3 43010100026 UPPER
PX1360106-00 REFLECTOR (FRONT LONG JACK,OUTRIGGER)**



AT-147-3 43010100026 UPPER
PX1830018-00 COUPLING

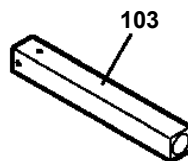
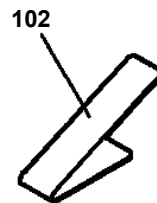
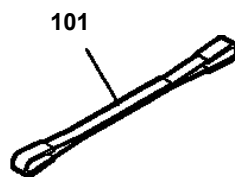
100



AT-147-3 43010100026 UPPER

Pos No.	Parts No	Parts Name	Qty	Unit	Technical Data	Serial No (Start)	Serial No (End)	Remarks	Pages
1	42507500100	SUPPORT	1						
2	90101208020	BOLT	2		M8X20				
3	90302040801	WASHER,SPRING	2		8				
4	90303070801	WASHER,PLAIN	1		8				
5	90201200800	NUT	1		M8				

AT-147-3 43010100026 UPPER
PY1020001-10 OPTION UNIT,2



適用製造番号によっては取り付けがないものもあります。

MACHINES OF SOME SERIAL NO. ARE NOT EQUIPPED WITH THESE PARTS.

AT-147-3 43010100026 UPPER

Pos No.	Parts No	Parts Name	Qty	Unit	Technical Data	Serial No (Start)	Serial No (End)	Re
1	42470590000	CLAMP HEAD (O.D.K 7.5TON 3M)	1					

AT-147-3 43010100026 UPPER

Pos No.	Parts No	Parts Name	Qty	Unit	Technical Data	Serial No (Start)	Serial
1	42473857510	SCREW	4				
2	42473857515	SPRING	4				
3	80560053000	BALL,STEEL	4		1/8		
4	42470027510	HEAD (SCM)	1				
5	42473857530	SPRING	1				
6	42473857535	PIN	1				
7	42470027520	COLLAR	1				
8	42473857545	SPRING	1				
9	42473857550	PISTON	1				
10	91411003500	RING,BACKUP	1				
11	91001103500	O-RING	1		1A P35		
12	42470027530	CYLINDER	1				
13	42473857570	HOLDER	1				
14	42473857575	CAP	1				
15	91001101400	O-RING	1		1A P14		
16	42473857580	CAP	1				
17	42473857590	COVER	1				
18	42473857595	BUTTON (PUSH)	1				
19	42473857600	SPRING	1				
20	42473857605	SWITCH	1				
21	42473857610	HOLDER (SWITCH)	1				
22	42473857615	SCREW	1				
24	42473857620	BINDER	4				
25	42473857625	TUBE	1				
26	42473857630	TUBE	1				
27	42473857635	TUBE	1				
28	42473857640	BINDER	6				
29	42473857645	HOSE	1				
30	42473857650	JOINT	1				
31	42473857655	CABLE	1				
32	42473857660	PLUG (SANWA)	1				
38	80136320010	PIN,SPLIT	1		2X10		
39	42473857675	SEPARATOR	1				
61	42473857670	PROTECTOR ASSY	1				
62	42473857690	CLAMP ASSY	1				
100	42470021000	CLAMP HEAD (IZUMI 8TON,2.5M/YONDENKOU)	1				

AT-147-3 43010100026 UPPER

Pos No.	Parts No	Parts Name	Qty	Unit	Technical Data	Serial No (Start)	Serial No (End)
1	42470330000	ROPE (SAFETY,YELLOW:TD-TYPE)	1				

AT-147-3 43010100026 UPPER

Pos No.	Parts No	Parts Name	Qty	Unit	Technical Data	Serial No (Start)	Serial No (End)	Remarks	Pages
1	42470121000	ARM ASSY	1						
2	42470421000	HOLDER	3						
3	42470123000	CLAMP ASSY	1						
4	42470044000	HOT STICK	1						
5	42475751001	SUPPORT	1						
6	90101216150	BOLT	1		M16X150				
7	90303071601	WASHER,PLAIN	2		16				
8	90201201600	NUT	2		M16				
9	42220011200	SUPPORT	1						
21	42470121100	ARM	1						
22	42470121200	CAP	2						

AT-147-3 43010100026 UPPER

Pos No.	Parts No	Parts Name	Qty	Unit	Technical Data	Serial No (Start)	Serial No (End)	Remarks	Pages
1	42470121000	ARM ASSY	1						
2	42471231000	HOLDER	3						
3	42470123000	CLAMP ASSY	1						
5	42476851000	SUPPORT	1						
6	90101216130	BOLT	1		M16X130				
7	90303071601	WASHER,PLAIN	2		16				
8	90201201600	NUT	2		M16				
9	42220011200	SUPPORT	1						
31	42470121100	ARM	1						
32	42470121200	CAP	2						

AT-147-3 43010100026 UPPER

Pos No.	Parts No	Parts Name	Qty	Unit	Technical Data	Serial No (Start)	Serial No (End)	Remarks
1	36053841010	COVER (SIDE,A)	1					
2	91002803900	O-RING	1		1B P39			
3	91411003900	RING,BACKUP	1		P39			
4	36052131520	TUBE	1					
5	36050345020	HEAD	1					
6	12235104020	SPRING	1					
7	80560061000	BALL,STEEL	1		3/8			
8	36050345030	PACKING SET	1					
9	36052131530	COVER (SIDE,B)	1					
10	91002907000	O-RING	1		1B G70			
11	91001104200	O-RING	1		1A P42			
12	91411004200	RING,BACKUP	1		P42			
13	91002909500	O-RING	2		1B G95			
14	36052131540	ROD,PUSH	1					
15	36052131550	ROD	1					
16	36052131560	TUBE	1					
17	36050345090	PISTON	1					
18	91001109000	O-RING	1		1A P90			
19	91411009000	RING,BACKUP	2		P90			
20	91002802600	O-RING	1		1B P26			
21	91002801200	O-RING	1		1B P12			
22	36050125130	BUSH	1					
23	91001100800	O-RING	1		1A P8			
24	91411000800	RING,BACKUP	1					
25	80602110170	RING,RITAINING	1		R17			
26	91002800800	O-RING	1		1B P8			
27	91002801000	O-RING	3		1B P10			
28	36050125110	NUT	1					
29	90740006060	SCREW,SET	1		M6X6			
30	36053841020	COVER (SIDE,C)	1					
31	90201201000	NUT	1		M10			
32	36052131570	BOLT,STUD	8					
33	36050801400	WASHER,PLAIN	8					
34	90209701400	NUT	8		M14			
35	90131505015	BOLT,HEXAGON SOCKET	4		M5X15			
36	36053841200	SWITCH ASSY	1					
51	42475950010	GUIDE	1					
52	42475950020	ADAPTER	1					
53	42475950030	SLEEVE	1					
54	42475950040	ROD	1					
55	42475950052	ADJUSTER	1					
56	42475950060	NUT,LOCK	1					
57	42475950090	BOLT	1					
58	42475950070	SPRING	1					
59	42475950100	PISTON	1					
60	42475950080	BRACKET	1					
61	42475950220	SWITCH ASSY	1					
62	91001100400	O-RING	1		1A P4			
63	91410000400	RING,BACKUP	1		P4			
64	91002801200	O-RING	2		1B P12			
65	91411001200	RING,BACKUP	2		P12			
66	90131705012	BOLT,HEXAGON SOCKET	2		M5X12			
67	90302040501	WASHER,SPRING	2		5			
68	82455106000	NIPPLE,GREASE	1		A-M6F FE			
69	90303130401	WASHER,PLAIN	2		4			
70	90302040401	WASHER,SPRING	2		4			
71	80173304025	SCREW,MACHINE	2		M4X25			
72	36053841210	COVER	1					
73	12235104340	SEAL	1				590465	
74	80601110160	RING,RITAINING	1		16			
100	36053841001	BOOSTER	1					

AT-147-3 43010100026 UPPER

Pos No.	Parts No	Parts Name	Qty	Unit	Technical Data	Serial No (Start)	Serial No (E
1	80456210600	JOINT,SELF SEALING	1				
2	42470367750	HOSE ASSY	1		3M		
3	42470362100	JOINT,SELF SEALING	1				
4	42470367770	HOSE,AIR	1		3M		
5	42470362200	PUMP	1				
6	80456240600	JOINT,SELF SEALING (WITH DUST CAP)	1				
7	42470367840	TUBE	2		25X0.15M		
8	42470367780	JOINT	1				
21	42471437520	CAP	1				
50	42470362000	HOSE,BOOSTER	1		L=3000		

AT-147-3 43010100026 UPPER

Pos No.	Parts No	Parts Name	Qty	Unit	Technical Data	Serial No (Start)	Serial No (End)
5	80456210600	JOINT,SELF SEALING	2				
10	42472130000	HOSE,BOOSTER (FEMALE-FEMALE,5M)	1				

AT-147-3 43010100026 UPPER

Pos No.	Parts No	Parts Name	Qty	Unit	Technical Data	Serial No (Start)	Serial No (End)	Remarks	Pages
1	42733561000	EARTH	1						
2	42733560100	CABLE	1						
3	90101208016	BOLT	1		M8X16				
4	42733560030	PLATE	1						
5	80720104028	PIN,SPRING	1		4X28				
6	90303070801	WASHER,PLAIN	1		8				

AT-147-3 43010100026 UPPER

Pos No.	Parts No	Parts Name	Qty	Unit	Technical Data	Serial No (Start)	Serial No
1	42474030000	STEP,BUCKET (GRAY,FOR BUCKET INNER)	1				

AT-147-3 43010100026 UPPER

Pos No.	Parts No	Parts Name	Qty	Unit	Technical Data	Serial No (Start)	Serial No (End)	Remarks
1	42475930000	HANGER (FOR BUCKET,FRP)	1					

AT-147-3 43010100026 UPPER

Pos No.	Parts No	Parts Name	Qty	Unit	Technical Data	Serial No (Start)	Serial No (End)	Rem
1	42503180000	BOX,TOOL (FOR BUCKET,FRP)	1					

AT-147-3 43010100026 UPPER

Pos No.	Parts No	Parts Name	Qty	Unit	Technical Data	Serial No (Start)	Serial No (End)	Remarks
1	42267971000	ARM ASSY	1					
2	42267130100	GEAR	1					
3	90730006140	SCREW,SET	2		M6X14			
4	90180212035	BOLT,BUTTON	2			590390		
5	80601111000	RING,RETAINING	1		S100			
6	42267120400	SPACER	1					
7	42267120500	SPACER	1					
8	90171212035	BOLT (DACRO)	2		M12X35	590390		
9	90203401200	NUT	4		M16			
10	90171112030	BOLT	7		M12X30			
11	37000586760	WASHER,PLAIN	7		12			
12	42267120300	SPACER	1					
13	42267120200	PIN	1					
14	42267140100	PLATE	1					
15	37000582110	PLATE	1					
16	90180206012	BOLT,BUTTON	2		M6X12			
17	90302040601	WASHER,SPRING	2		6			
18	42267144002	POST ASSY	1					
19	42267120700	GUIDE	1					
20	90101208014	BOLT	2		M8X14			
21	90302040801	WASHER,SPRING	2		8			
22	36663460001	MOTOR ASSY,OIL	1					
23	90172112030	BOLT,HEXAGON SOCKET	2		M12X30			
24	90309341203	WASHER,SPRING	2		12			
25	36340380000	REDUCER,SWING SPEED	1					
26	80136363050	PIN,SPLIT	1		6.3X50			
27	42265980010	PIN	1					
28	82455106000	NIPPLE,GREASE	1		A-M6F FE			
29	82400000459	CAP	1					
30	42267250020	SPACER	2		L=1.6			
31	37010501080	PLATE	1			590406		
52	80513006920	BEARING,BALL	1					
53	80513006922	BEARING,BALL	1					
72	80801003540	BEARING,PLAIN	2					
73	82456101000	NIPPLE,GREASE	1		A-PT1/8			

CLICK HERE TO **DOWNLOAD** THE COMPLETE MANUAL

- Thank you very much for reading the preview of the manual.
- You can download the complete manual from: www.heydownloads.com by clicking the link below



- Please note: If there is no response to CLICKING the link, please download this PDF first and then click on it.

CLICK HERE TO **DOWNLOAD** THE COMPLETE MANUAL