

AT-147-3 43010141600 LOWER,ISUZU PDG-NKR85YN-EN5AHY-M

PO1000171-00 INDICATION PLATES

PX2001297-00 CARRIER UNIT

PX3000655-00 MOUNTING UNIT

ASSEMBLY

CLICK HERE TO **DOWNLOAD** THE COMPLETE MANUAL

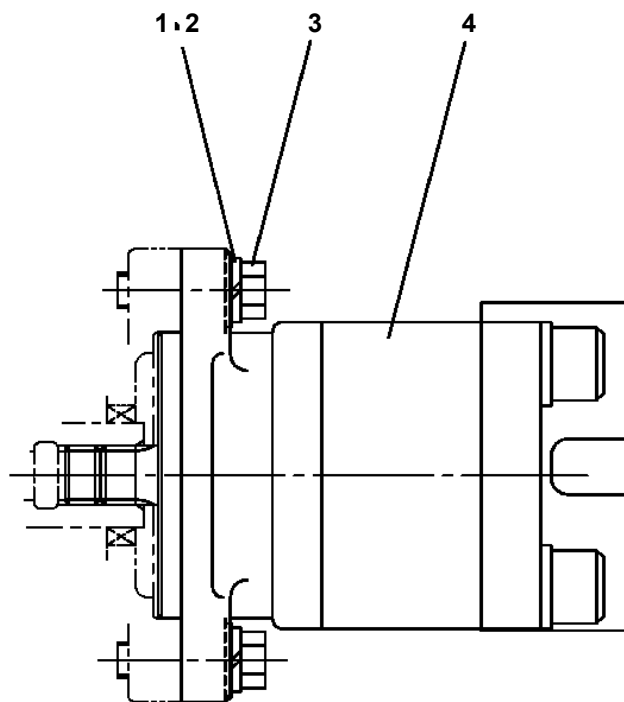
- Thank you very much for reading the preview of the manual.
- You can download the complete manual from: www.heydownloads.com by clicking the link below



- Please note: If there is no response to CLICKING the link, please download this PDF first and then click on it.

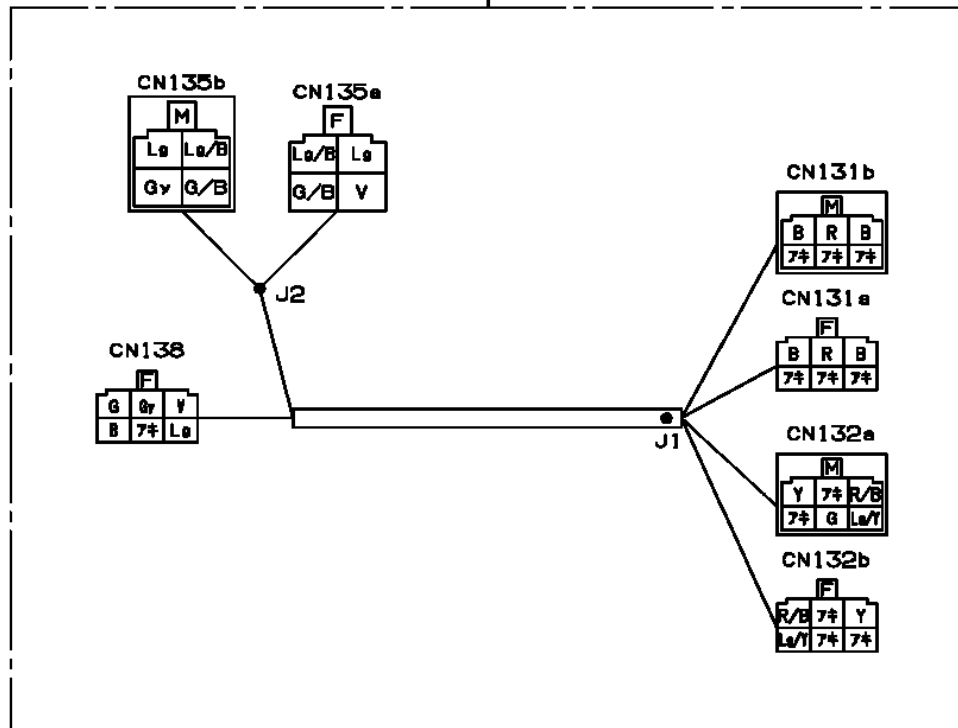
CLICK HERE TO **DOWNLOAD** THE COMPLETE MANUAL

**AT-147-3 43010141600 LOWER,ISUZU PDG-NKR85YN-EN5AHY-M
PB1110007-01 PUMP INSTALLATION**

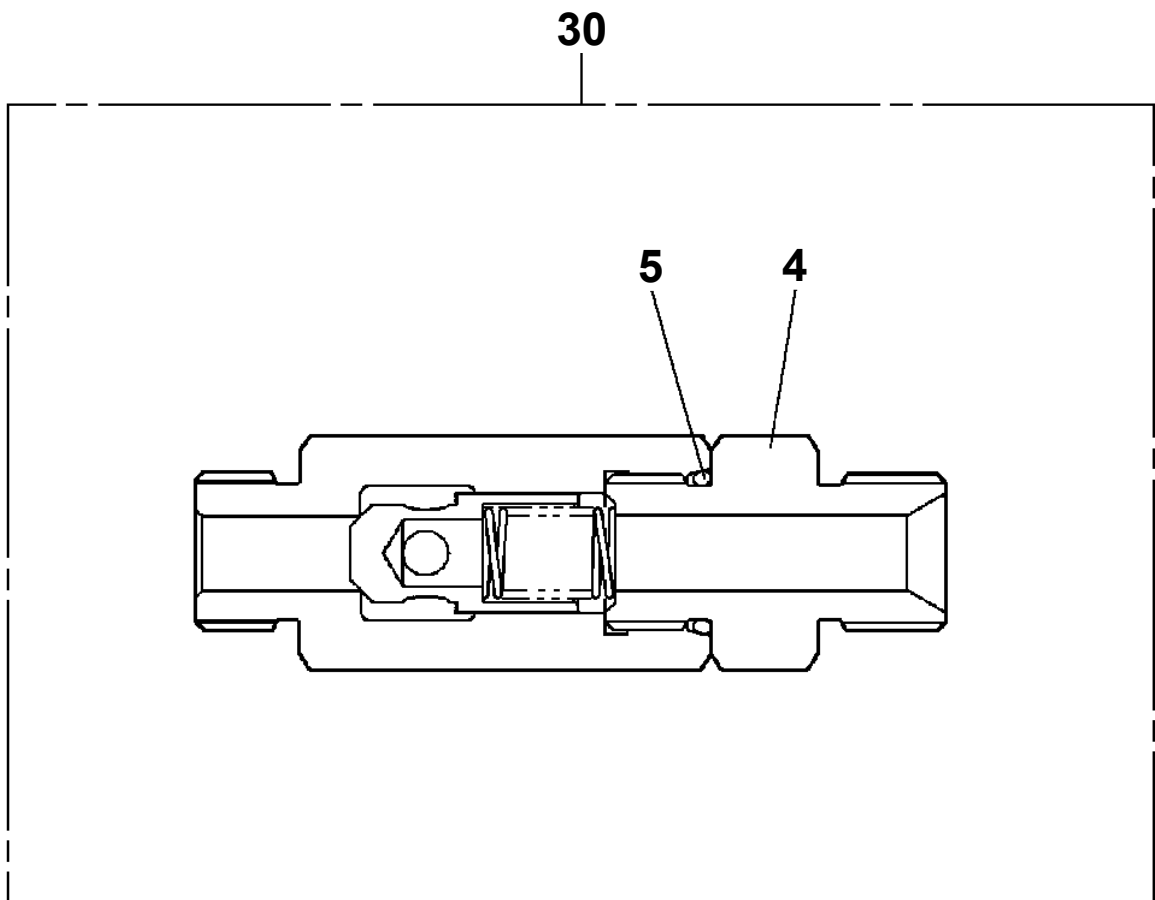


AT-147-3 43010141600 LOWER,ISUZU PDG-NKR85YN-EN5AHY-M
PH5031090-00 HARNESS

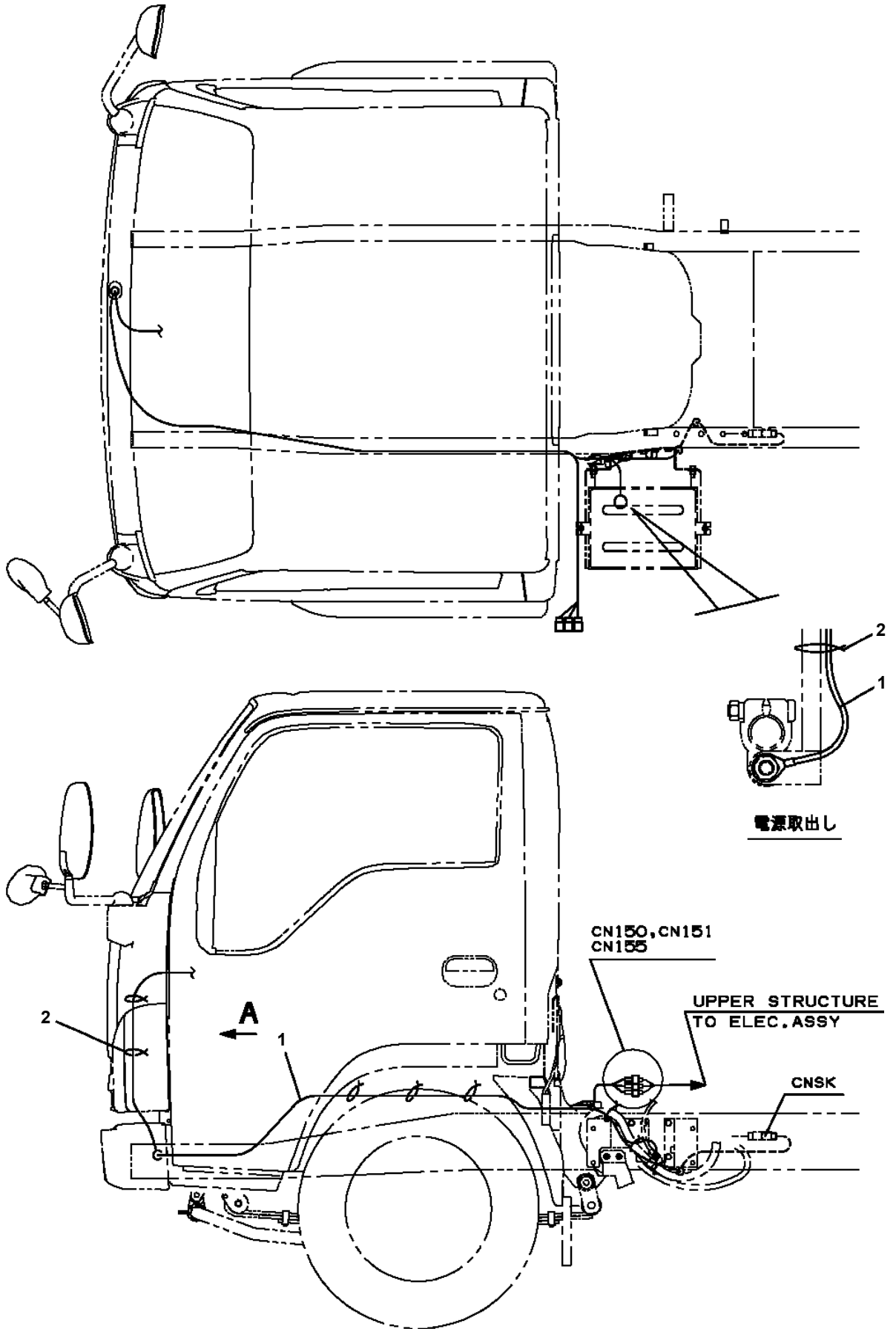
100



**AT-147-3 43010141600 LOWER,ISUZU PDG-NKR85YN-EN5AHY-M
PI1140189-00 VALVE,CHECK**



AT-147-3 43010141600 LOWER,ISUZU PDG-NKR85YN-EN5AHY-M
PN1015016-01 ELEC.ASSY (CARRIER)



AT-147-3 43010141600 LOWER,ISUZU PDG-NKR85YN-EN5AHY-M

Pos No.	Parts No	Parts Name	Qty	Unit	Technical Data	Serial No (Start)	Serial No (End)	Remarks
5	82182819823	DIODE	1		1.5A			
9	34354781710	RELAY (WITH BRACKET)	1					
100	34354781720	RELAY (WITH HARNESS)	1					

AT-147-3 43010141600 LOWER,ISUZU PDG-NKR85YN-EN5AHY-M

Pos No.	Parts No	Parts Name	Qty	Unit	Technical Data	Serial No (Start)	Serial No (End)	Remarks	Pages
1	91810130240	FASTENER	10						
2	42900360100	HARNESS	1						000008
3	42900310104	SUPPORT	1				590401		
	42900310105	SUPPORT	1			590402	590417		
	42900310106	SUPPORT	1			590418			
4	42900310203	SUPPORT	1				590401		
	42900310204	SUPPORT	1			590402	590417		
	42900310205	SUPPORT	1			590418			
5	90201200500	NUT	8		M5				
6	90302040501	WASHER,SPRING	8		5				
7	90303070501	WASHER,PLAIN	8		5				
8	90186208014	BOLT,FLANGE	8		M8X14		590401		
	90101208020	BOLT	8		M8X20	590402			
9	90201200800	NUT	2		M8		590417		
	90201200800	NUT	10		M8	590418			
10	42900500101	SUPPORT	1						
11	42806830800	HARNESS	2				590401		000014
	42806830800	HARNESS	1			590402			000014
12	90302040801	WASHER,SPRING	2		8		590401		
	90302040801	WASHER,SPRING	10		8	590402			
13	90303070801	WASHER,PLAIN	2		8		590476		
	90303070801	WASHER,PLAIN	10		8	590477			
14	31631222000	CAP	1						
15	34350002100	CAP	2						

CLICK HERE TO **DOWNLOAD** THE COMPLETE MANUAL

- Thank you very much for reading the preview of the manual.
- You can download the complete manual from: www.heydownloads.com by clicking the link below



- Please note: If there is no response to CLICKING the link, please download this PDF first and then click on it.

CLICK HERE TO **DOWNLOAD** THE COMPLETE MANUAL