

AT-146-3 43011143800 LOWER,ISUZU PDG-NKR85YN-EN5AHY-M

PO1000171-00 INDICATION PLATES

PX2001382-00 CARRIER UNIT

PX3000625-00 MOUNTING UNIT

ASSEMBLY

CLICK HERE TO **DOWNLOAD** THE COMPLETE MANUAL

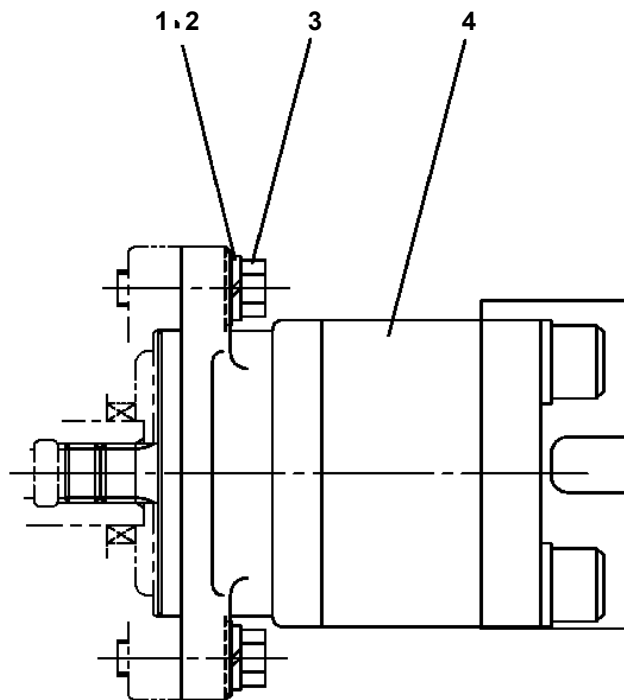
- Thank you very much for reading the preview of the manual.
- You can download the complete manual from: www.heydownloads.com by clicking the link below



- Please note: If there is no response to CLICKING the link, please download this PDF first and then click on it.

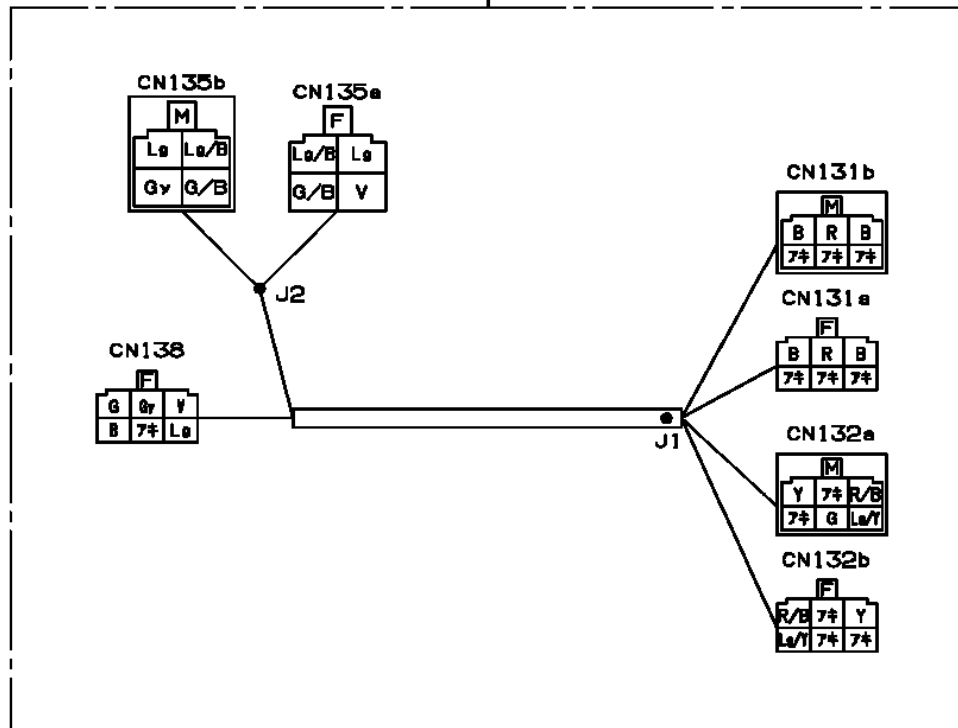
CLICK HERE TO **DOWNLOAD** THE COMPLETE MANUAL

**AT-146-3 43011143800 LOWER,ISUZU PDG-NKR85YN-EN5AHY-M
PB1110007-01 PUMP INSTALLATION**

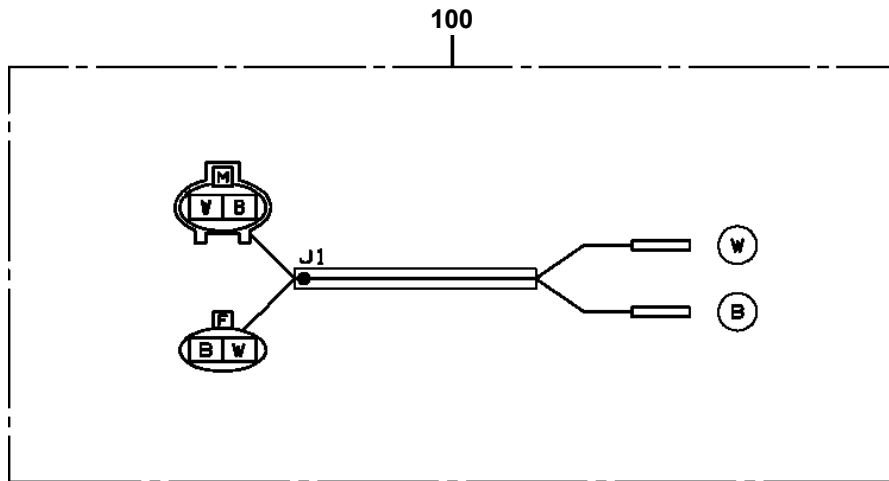


AT-146-3 43011143800 LOWER,ISUZU PDG-NKR85YN-EN5AHY-M
PH5031090-00 HARNESS

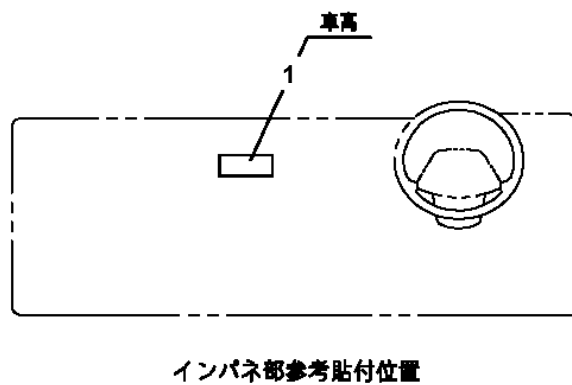
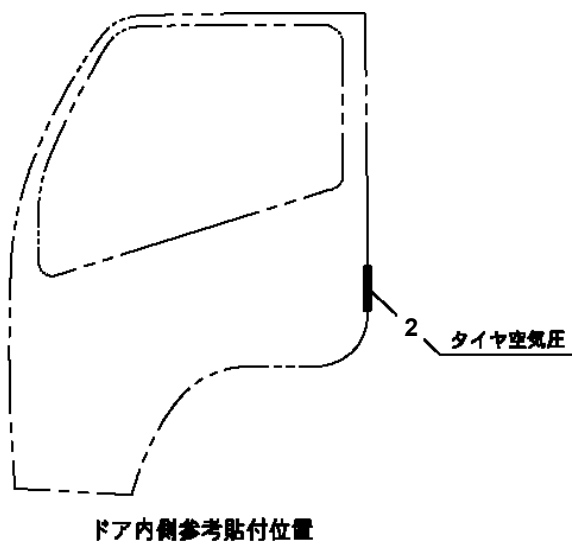
100



AT-146-3 43011143800 LOWER,ISUZU PDG-NKR85YN-EN5AHY-M
PH5032383-00 HARNESS



AT-146-3 43011143800 LOWER,ISUZU PDG-NKR85YN-EN5AHY-M
 PO1011544-04 PLATE ASSY,NAME (VEHICLE HEIGHT 3.35M)



2

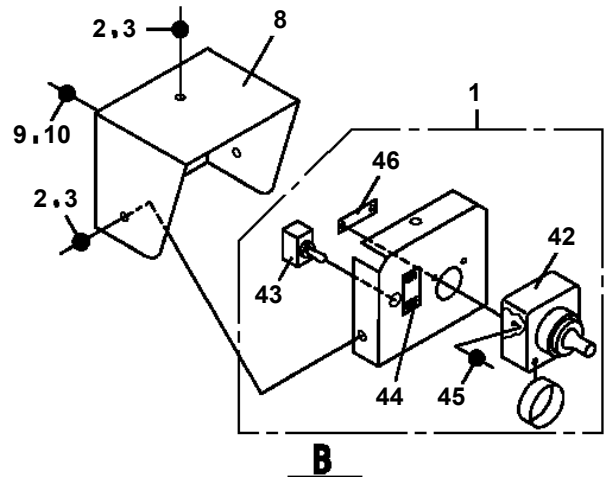
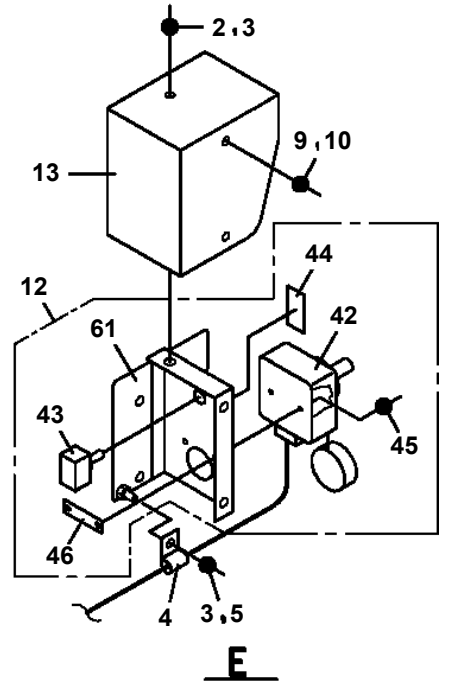
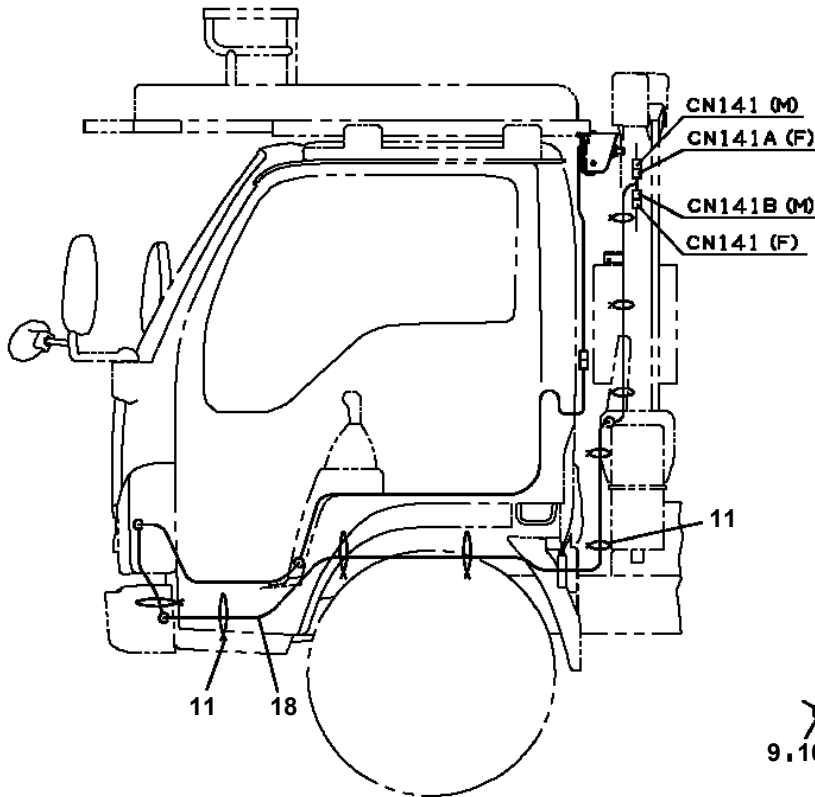
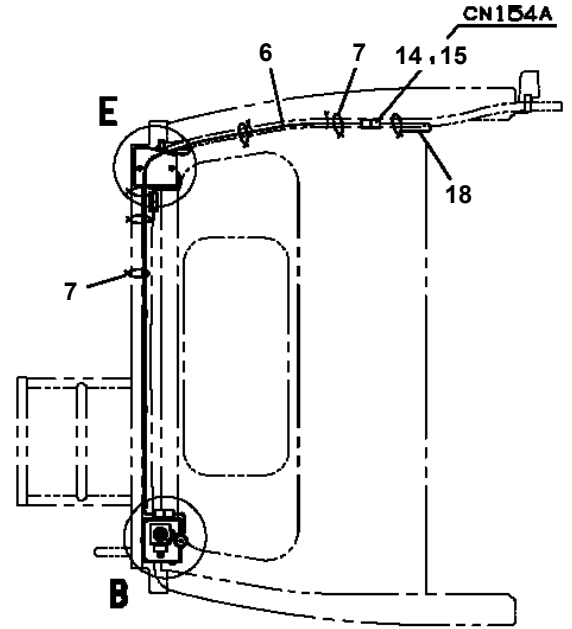
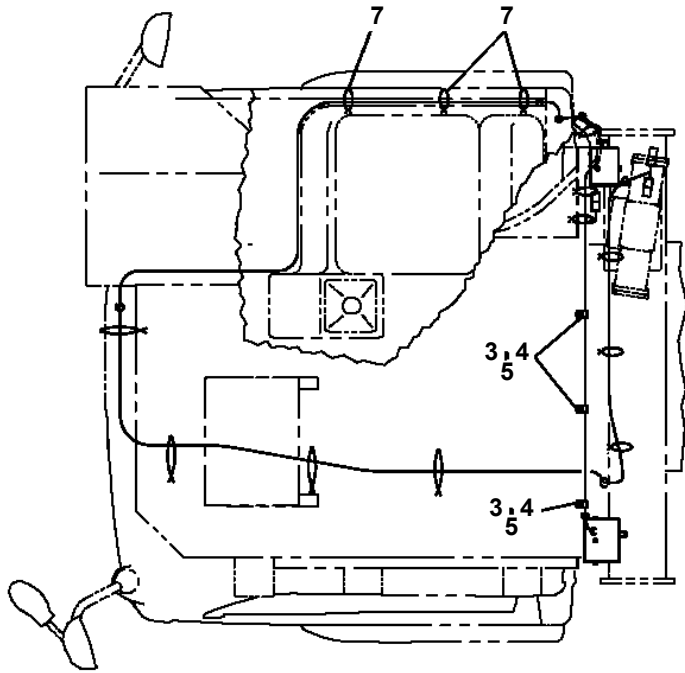
タイヤ空気圧 kPa (kgf/cm ²)		
タイヤサイズ	前輪	後輪
195/85R16 114/112L	600 (6.00)	600 (6.00)
205/80R17.5 120/118L	600 (6.00)	600 (6.00)
205/85R16 117/115L	600 (6.00)	600 (6.00)
215/70R17.5 123/121J	775 (7.75)	775 (7.75)
215/85R16 120/118L	600 (6.00)	600 (6.00)
225/75R16 118/116L	600 (6.00)	600 (6.00)
225/85R16 121/119L	600 (6.00)	600 (6.00)
225/80R17.5 123/122L (14PRL)	700 (7.00)	700 (7.00)
7.00-16-12PRL	575 (5.75)	575 (5.75)
7.50-16-10PRL	525 (5.25)	525 (5.25)
7.50-16-12PRL	600 (6.00)	600 (6.00)
7.50-16-14PRL	650 (6.50)	650 (6.50)
7.50R16-12PRL	650 (6.50)	650 (6.50)
7.50R16-14PRL	700 (7.00)	700 (7.00)

○ 上記の空気圧を遵守してください。
 370-022-24480

1

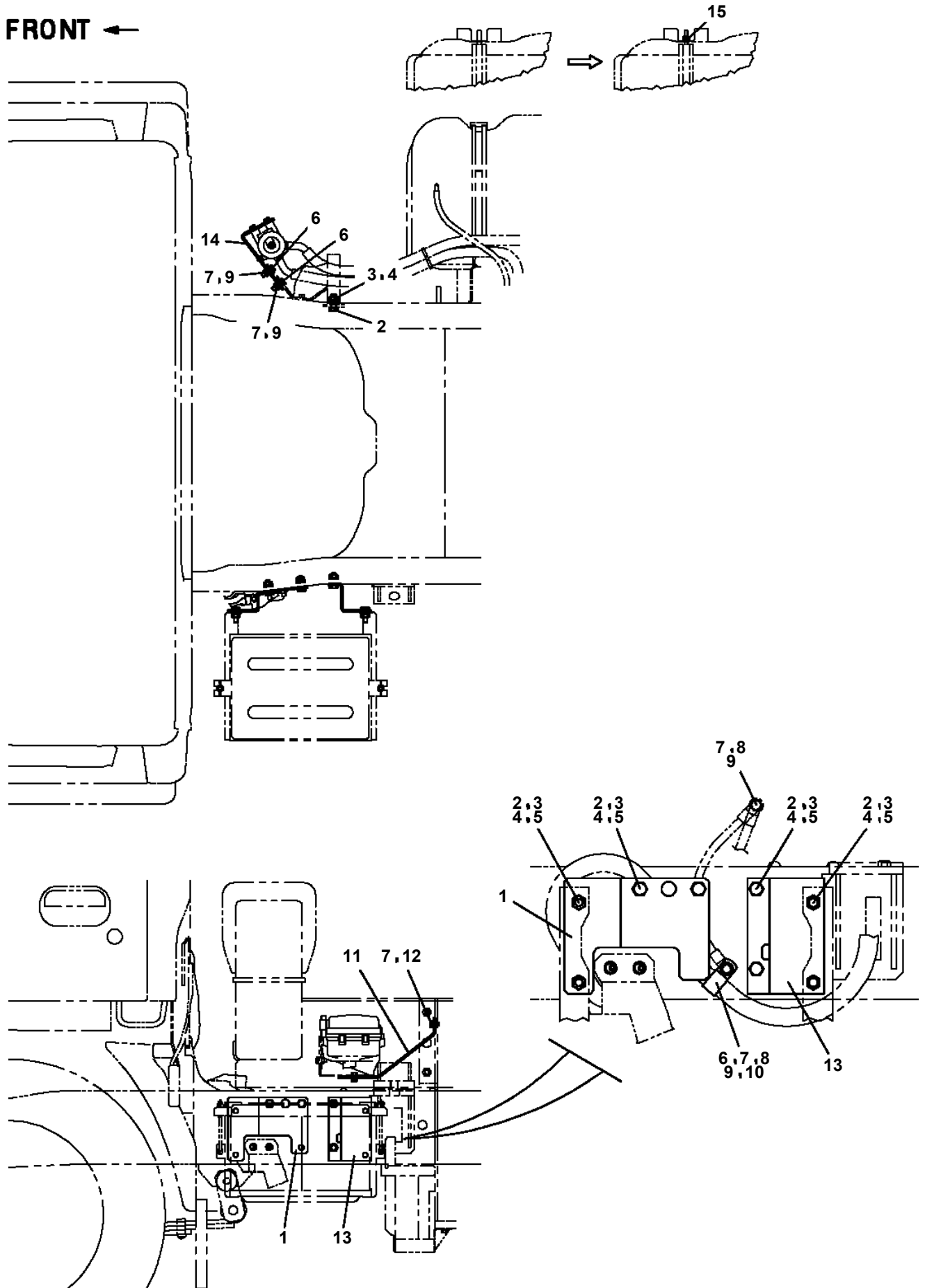
車高 3.35^m

**AT-146-3 43011143800 LOWER,ISUZU PDG-NKR85YN-EN5AHY-M
PS5530107-00 SWITCH ASSY**



AT-146-3 43011143800 LOWER,ISUZU PDG-NKR85YN-EN5AHY-M
PX1390908-03 MODIFICATION PARTS

FRONT ←



CLICK HERE TO **DOWNLOAD** THE COMPLETE MANUAL

- Thank you very much for reading the preview of the manual.
- You can download the complete manual from: www.heydownloads.com by clicking the link below



- Please note: If there is no response to CLICKING the link, please download this PDF first and then click on it.

CLICK HERE TO **DOWNLOAD** THE COMPLETE MANUAL