

**AT-146-3 43011143700 LOWER,ISUZU PDG-NKR85YN-EN5AHY-M**

PO1000171-00 INDICATION PLATES

PX2001381-00 CARRIER UNIT

PX3000768-00 MOUNTING UNIT

ASSEMBLY

CLICK HERE TO **DOWNLOAD** THE COMPLETE MANUAL

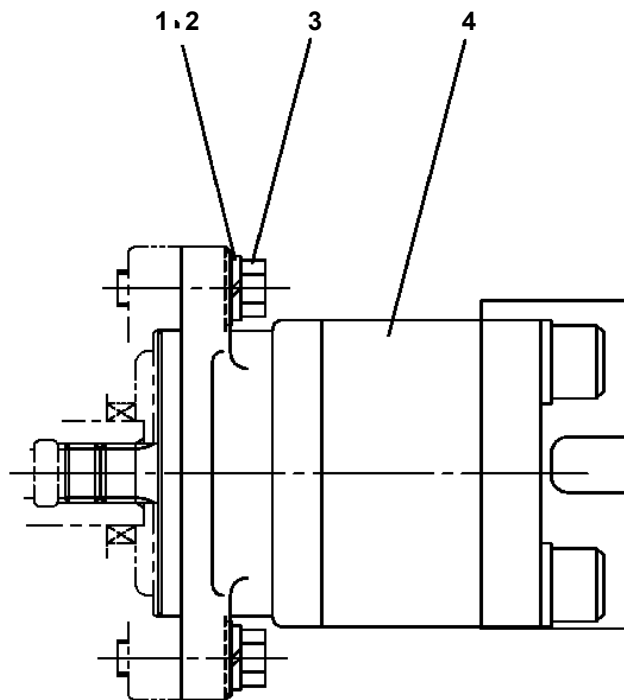
- Thank you very much for reading the preview of the manual.
- You can download the complete manual from: [www.heydownloads.com](http://www.heydownloads.com) by clicking the link below



- Please note: If there is no response to CLICKING the link, please download this PDF first and then click on it.

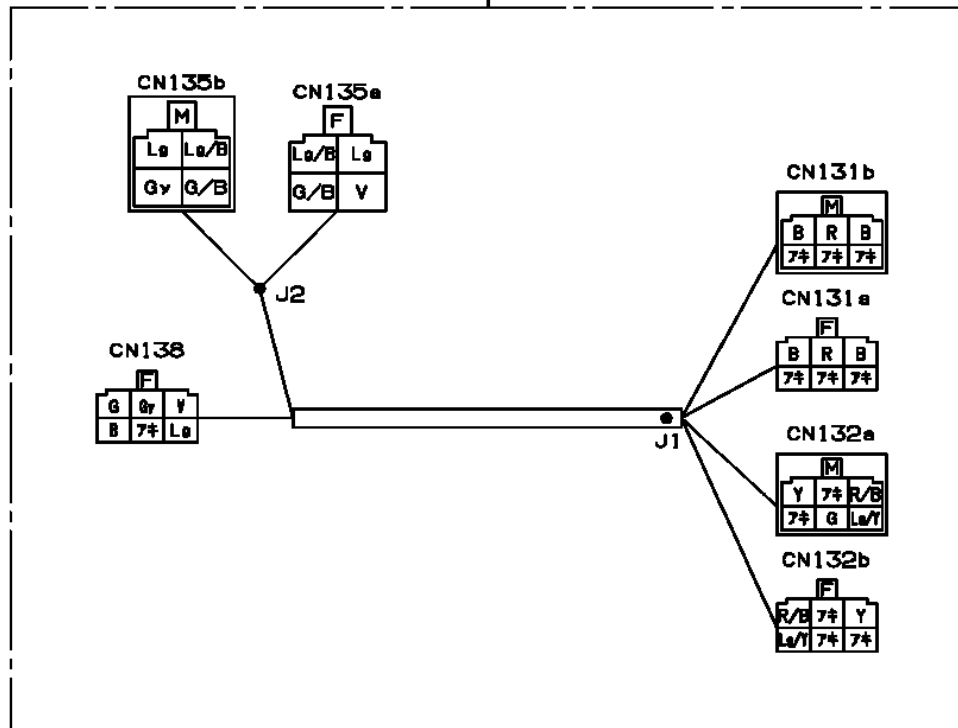
CLICK HERE TO **DOWNLOAD** THE COMPLETE MANUAL

**AT-146-3 43011143700 LOWER,ISUZU PDG-NKR85YN-EN5AHY-M  
PB1110007-01 PUMP INSTALLATION**

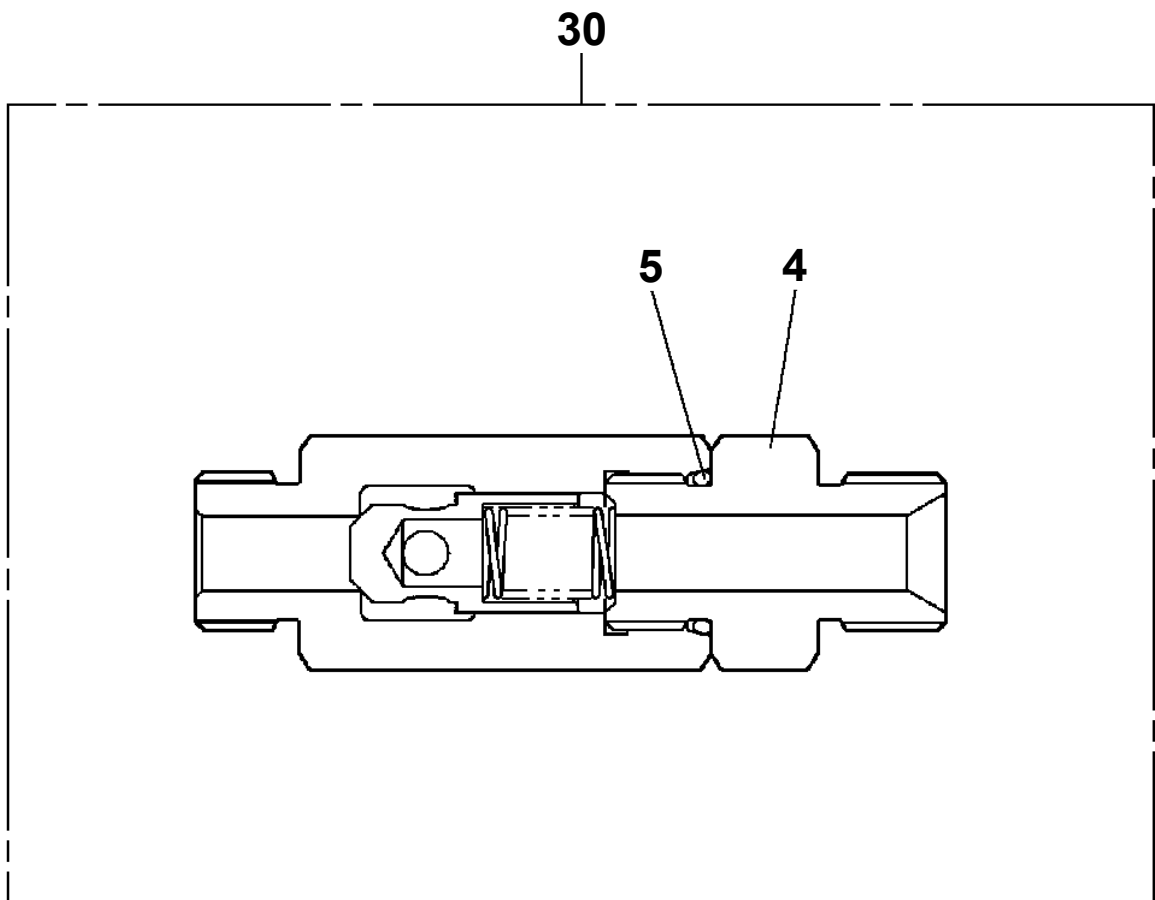


AT-146-3 43011143700 LOWER,ISUZU PDG-NKR85YN-EN5AHY-M  
PH5031090-00 HARNESS

100



**AT-146-3 43011143700 LOWER,ISUZU PDG-NKR85YN-EN5AHY-M  
PI1140189-00 VALVE,CHECK**



# AT-146-3 43011143700 LOWER,ISUZU PDG-NKR85YN-EN5AHY-M

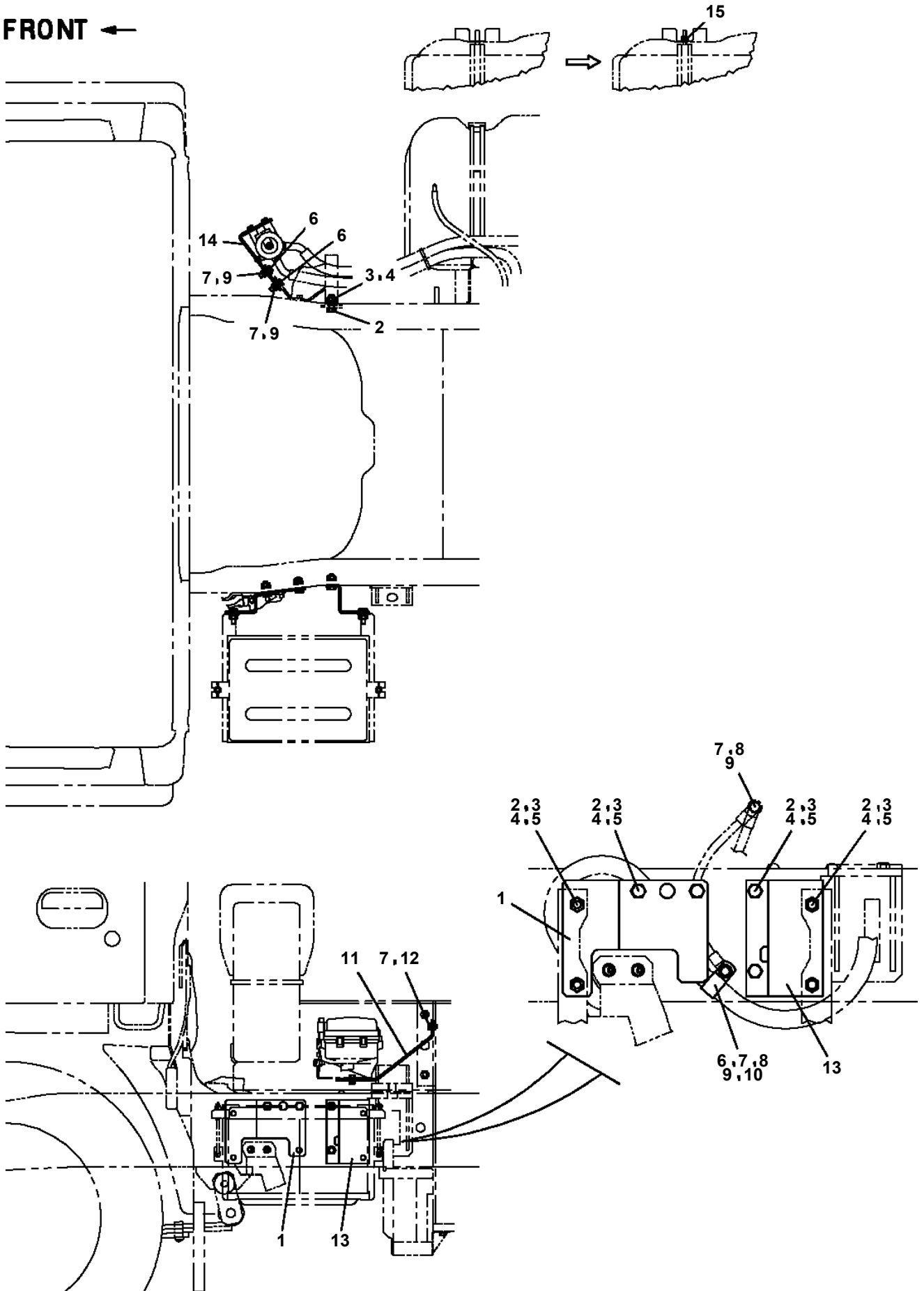
Pos No.	Parts No	Parts Name	Qty	Unit	Technical Data	Serial No (Start)	Serial No (End)
1	42936000100	HARNESS	1				
2	91810132530	FASTENER	N				
3	42935571000	LAMP ASSY	1				
4	90101206016	BOLT	2		M6X16		
5	90302040601	WASHER,SPRING	2		6		
6	90303070601	WASHER,PLAIN	2		6		
31	42935571100	SUPPORT	1				
32	42614362301	LAMP ASSY (ORANGE,WITH HARNESS)	1				
33	42930890210	PLATE,NAME	1				
34	82154201010	METER,HOUR	1				
35	80172303010	SCREW,MACHINE	2		M3X10		
36	90302040301	WASHER,SPRING	2		3		
37	90303070301	WASHER,PLAIN	2		3		
38	42935481200	HARNESS	1				

**AT-146-3 43011143700 LOWER,ISUZU PDG-NKR85YN-EN5AHY-M**

Pos No.	Parts No	Parts Name	Qty	Unit	Technical Data	Serial No (Start)	Serial No (End)	Remarks
5	82182819823	DIODE	1		1.5A			
9	34354781710	RELAY (WITH BRACKET)	1					
100	34354781740	RELAY	1					

AT-146-3 43011143700 LOWER,ISUZU PDG-NKR85YN-EN5AHY-M  
PX1390908-03 MODIFICATION PARTS

FRONT ←



CLICK HERE TO **DOWNLOAD** THE COMPLETE MANUAL

- Thank you very much for reading the preview of the manual.
- You can download the complete manual from: [www.heydownloads.com](http://www.heydownloads.com) by clicking the link below



- Please note: If there is no response to CLICKING the link, please download this PDF first and then click on it.

CLICK HERE TO **DOWNLOAD** THE COMPLETE MANUAL