

AT-120S-1 42081100003 UPPER

**PB1000565-00 HYDRAULIC PRESSURE GENERATING SYSTEM
PC1000477-00 OUTRIGGER SYSTEM
PD1000510-00 SWING SYSTEM
PE1000512-00 ELEVATING SYSTEM
PG1000465-00 TELESCOPING SYSTEM
PH1000472-00 SAFETY DEVICES
PJ3000202-00 PLATFORM
PK1000527-00 FRAME
PL1000535-00 CONTROL DEVICES
PN1000132-02 ELECTRIC EQUIPMENT
PO1000131-03 INDICATION PLATES
PW1000118-00 ACCESSORIES & TOOLS
PX1000600-00 MOUNTING PARTS
PY1000554-04 OPTIONS
ASSEMBLY**

CLICK HERE TO **DOWNLOAD** THE COMPLETE MANUAL

- Thank you very much for reading the preview of the manual.
- You can download the complete manual from: www.heydownloads.com by clicking the link below



- Please note: If there is no response to CLICKING the link, please download this PDF first and then click on it.

CLICK HERE TO **DOWNLOAD** THE COMPLETE MANUAL

AT-120S-1 42081100003 UPPER

Pos No.	Parts No	Parts Name	Qty	Unit	Technical Data	Serial No (Start)	Serial No (End)	Remarks	P
1	(*****)	BOOM	1						0
2	(*****)	CYLINDER,TELESCOPING	1						0

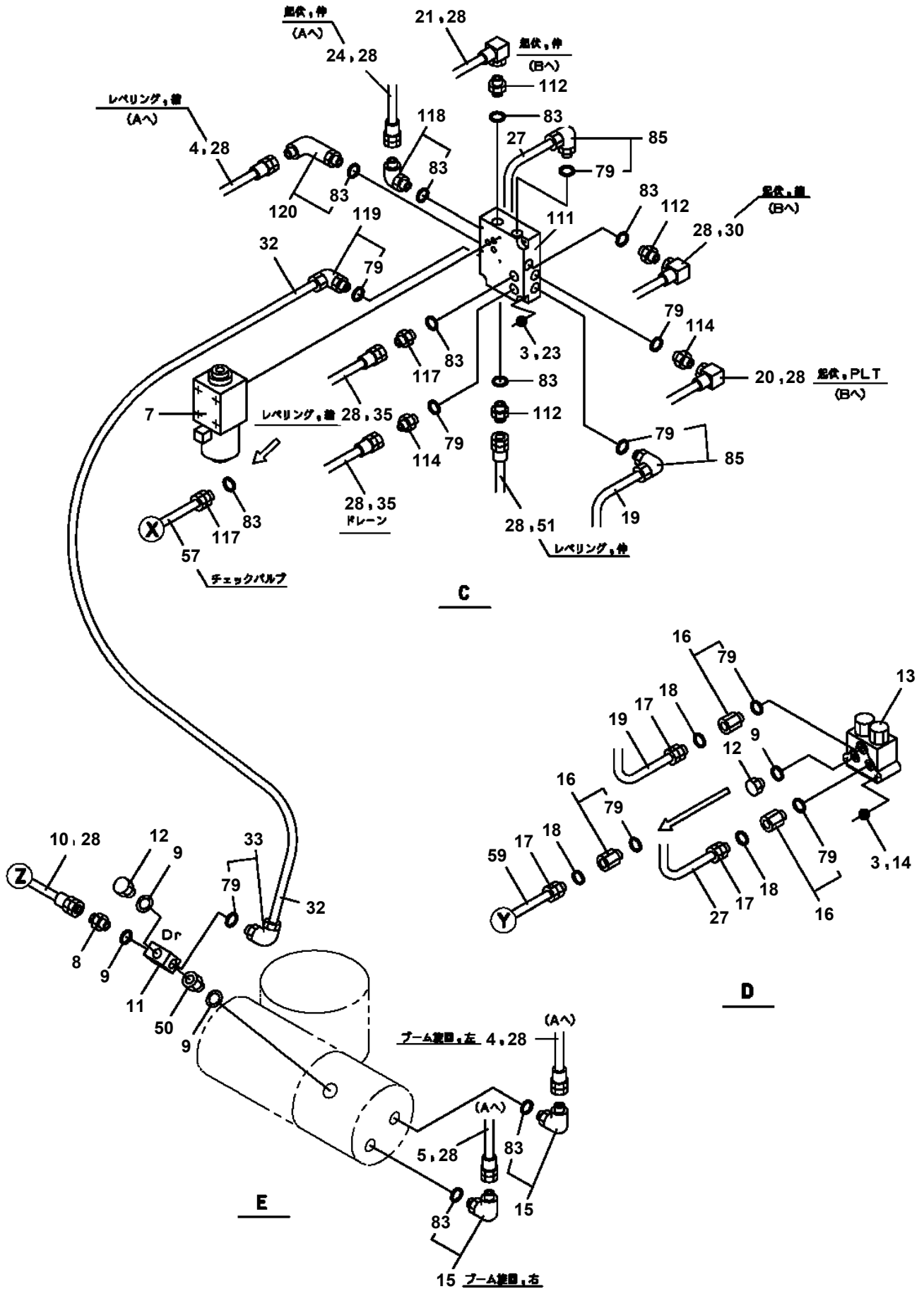
AT-120S-1 42081100003 UPPER

Pos No.	Parts No	Parts Name	Qty	Unit	Technical Data	Serial No (Start)	Serial No (End)	Remarks
1	(*****)	ELEC.ASSY (BOOM)	1					
2	(*****)	ELEC.ASSY (DETECTOR)	1					
3	(*****)	ELEC.ASSY (PLATFORM)	1					
4	(*****)	ELEC.ASSY (SWING FRAME)	1					
5	(*****)	ELEC.ASSY (FRAME)	1					

AT-120S-1 42081100003 UPPER

PK1010702-00 FRAME
PK1100295-00 SWING FRAME
PK1100371-00 SWING FRAME
PK1200336-01 COVER,SWING FRAME
PL1100193-08 BOX,OPERATION
PL1250022-01 VALVE,CONTROL
PM5230001-01 MOTOR,OIL
PN1011679-03 ELEC.ASSY (POWER SOURCE, UPPER,3.3/2.5M)
PN1012313-01 ELEC.ASSY (DETECTOR)
PN1012315-02 ELEC.ASSY (SWING FRAME)
PN1012793-01 ELEC.ASSY (BOOM)
PN1012894-05 ELEC.ASSY (FRAME)
PN1012895-00 ELEC.ASSY (PLATFORM)
PN1012908-01 ELEC.ASSY (POWER SOURCE,LOWER)
PN1013100-01 ELEC.ASSY
PN1013101-01 ELEC.ASSY
PN1060086-05 SWITCH PANEL
PN1110287-01 RELAY
PO1012868-00 PLATE ASSY,NAME (BOX,OPERATION)
PO1013603-02 PLATE ASSY,NAME (UPPER)
PO1013697-01 PLATE ASSY,NAME
PO1080033-01 PLATE,NAME (WORKING RANGE)
PO1080034-01 PLATE,NAME (OUTRIGGER INDICATOR)
PP5450004-00 PUMP,GREASE (400CC)
PS5530449-00 SWITCH ASSY
PW1010235-04 ACCESSORIES
PW1030049-01 TOOLS
PW1050018-01 WEDGE (STOPPER FOR TIRE/JUSTIN)
PW5110002-00 WEDGE (STOPPER FOR TIRE/WAZUMI)
PW5110003-00 WEDGE (STOPPER FOR TIRE/NAKAMURA KIKI)
PX1260144-01 STEP (SWING FRAME)
PX1260146-00 STEP (BOOM)
PY1090001-00 BELT,SAFETY
PY1180265-01 LAMP (2.5M DECK)
PY1910021-00 HOSE (FOR GREASE PUMP)
PY1930004-00 BLOCK,RUBBER (WAZUMI)
PY1930005-00 BLOCK,RUBBER (NAKAMURA)

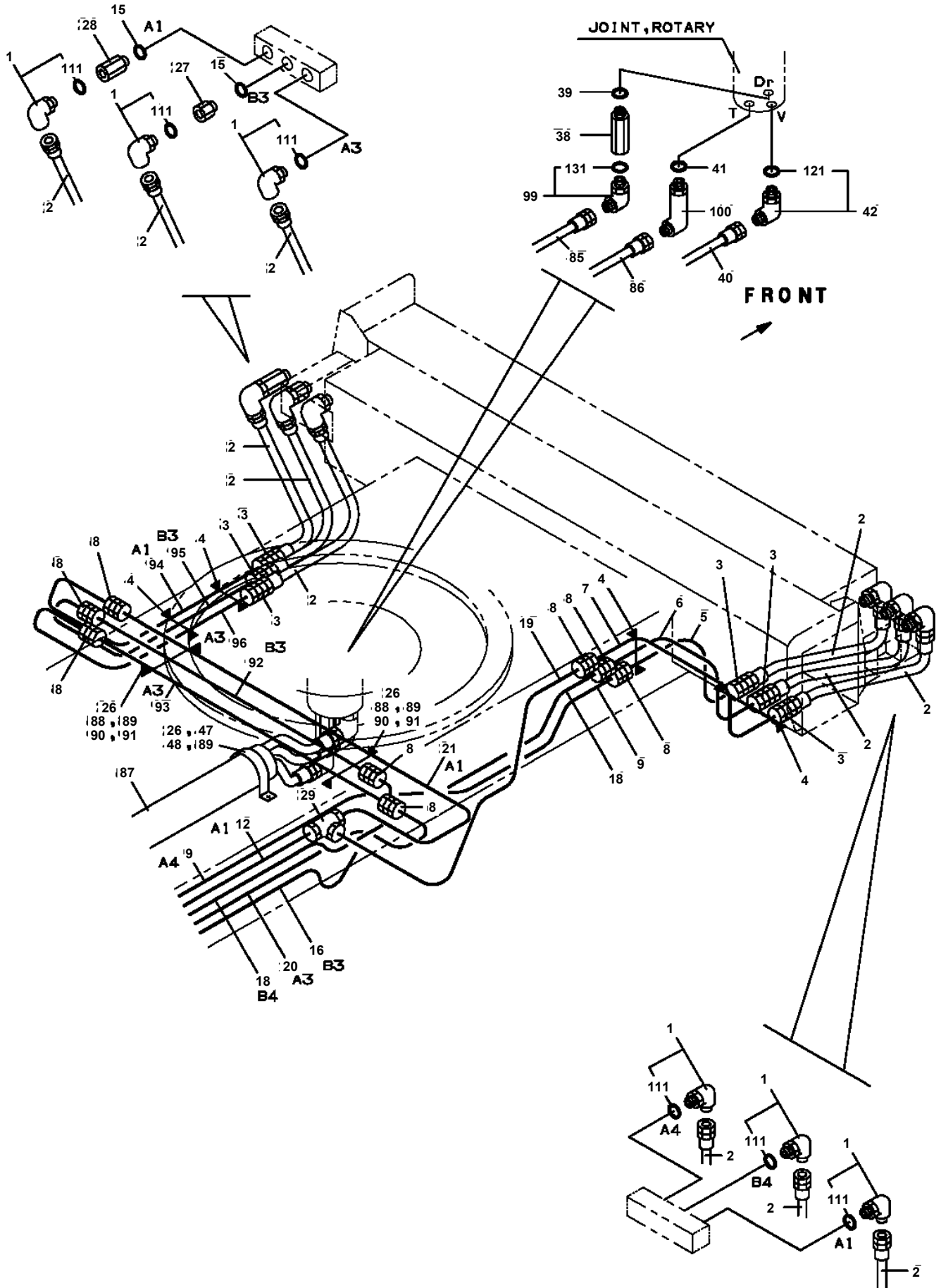
AT-120S-1 42081100003 UPPER
PB1400299-04 PIPING, HYDRAULIC UPPER



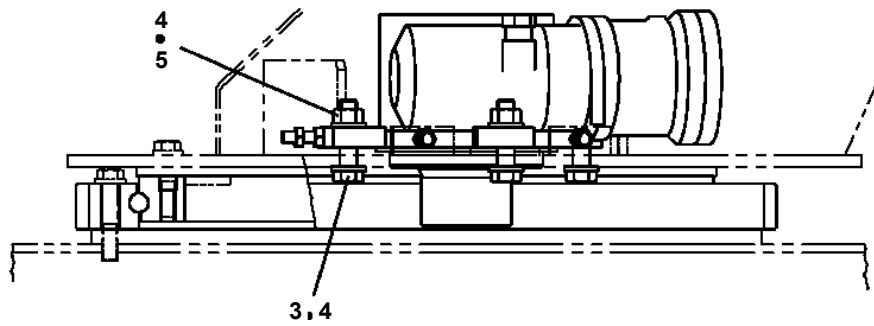
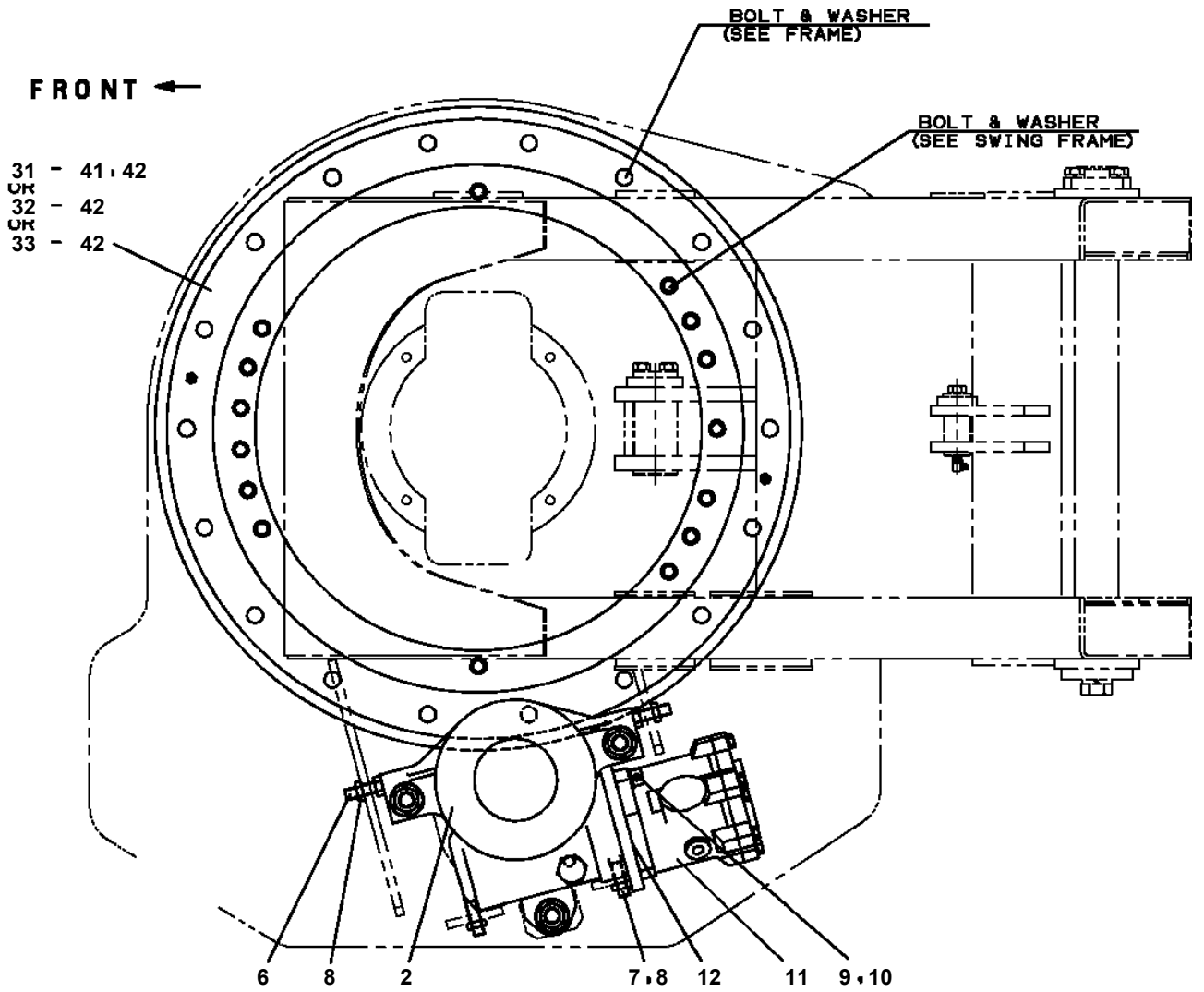
AT-120S-1 42081100003 UPPER

Pos No.	Parts No	Parts Name	Qty	Unit	Technical Data	Serial No (Start)	Serial No (End)	Remarks
1	90201202400	NUT	1		M24			
2	90302042401	WASHER,SPRING	1		24			
3	91684006000	PACKING	2					
4	91431205001	RING,BACKUP	2					
5	91002802100	O-RING	1		1B P21			
6	91302206000	BEARING,PLAIN	2					
7	36030590060	PISTON	1					
8	36035090200	ROD	1					
9	36035090100	CYLINDER	1					
10	91002905500	O-RING	1		1B G55			
11	91694004000	PACKING	1					
12	91410204001	RING,BACKUP	1					
13	91660004001	SEAL,DUST	1					
14	36032910030	COVER,ROD	1					
30	36034289901	PACKING SET	1		40X60			
100	36035090000	CYLINDER,JACK (REAR)	1					

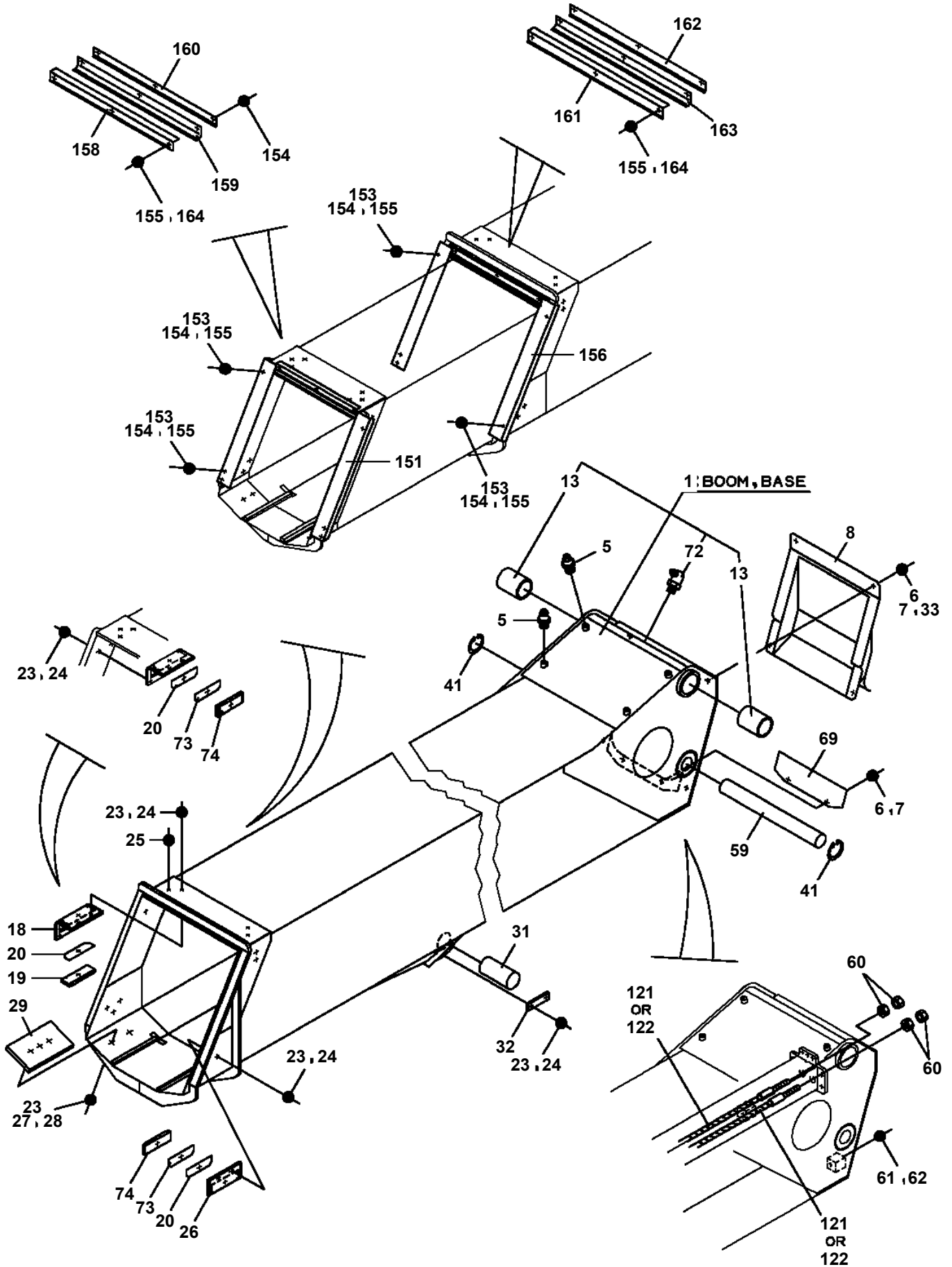
**AT-120S-1 42081100003 UPPER
PC1200461-02 PIPING,OUTRIGGER**



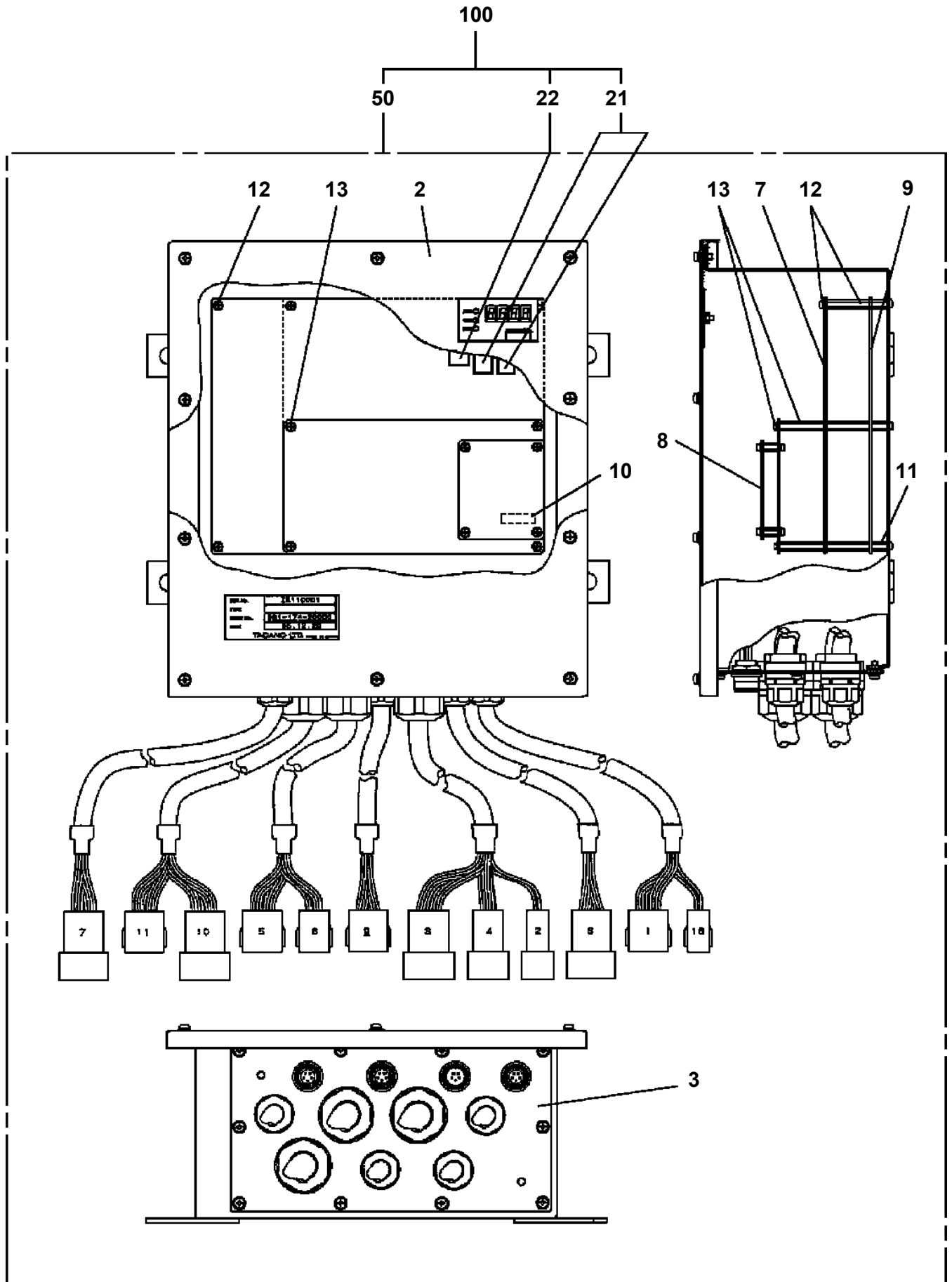
**AT-120S-1 42081100003 UPPER
PD1020021-01 SWING UNIT**



**AT-120S-1 42081100003 UPPER
PG1010622-04 BOOM**

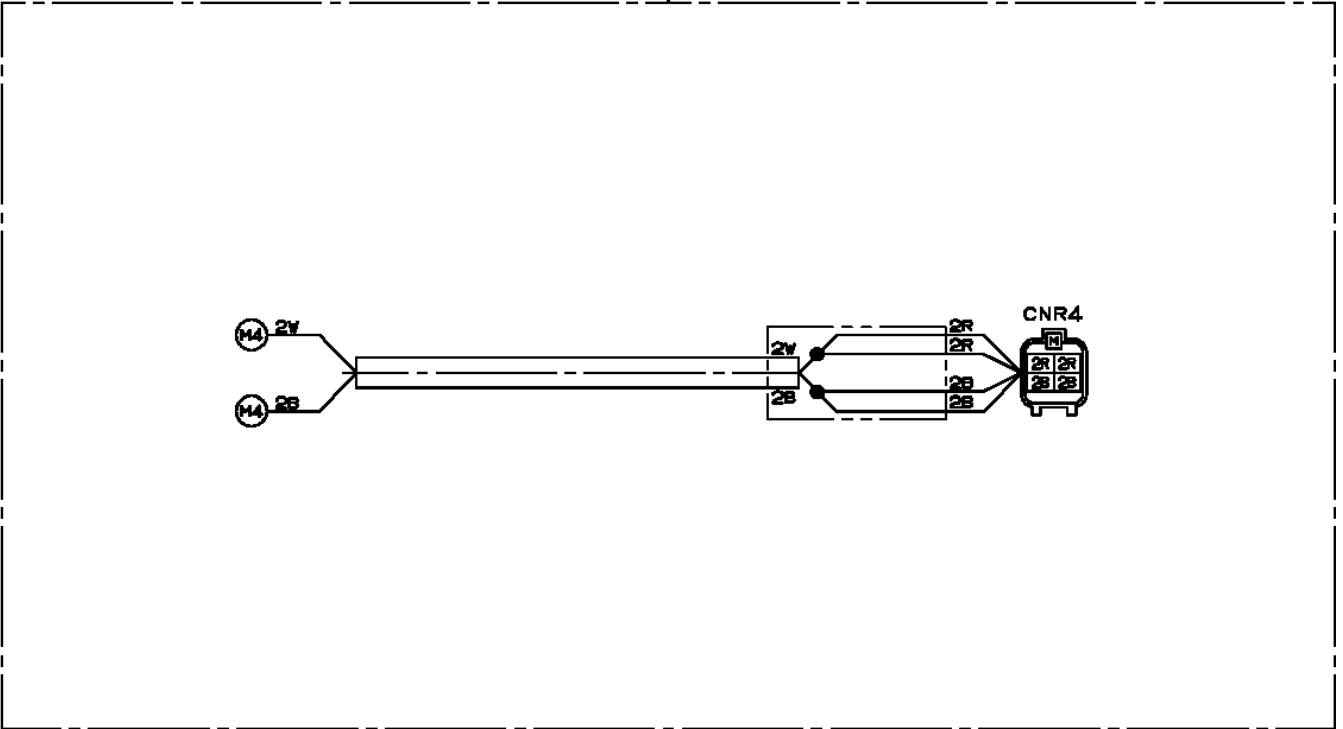


**AT-120S-1 42081100003 UPPER
PH1480017-03 MOTION CONTROLLER (AMC)**



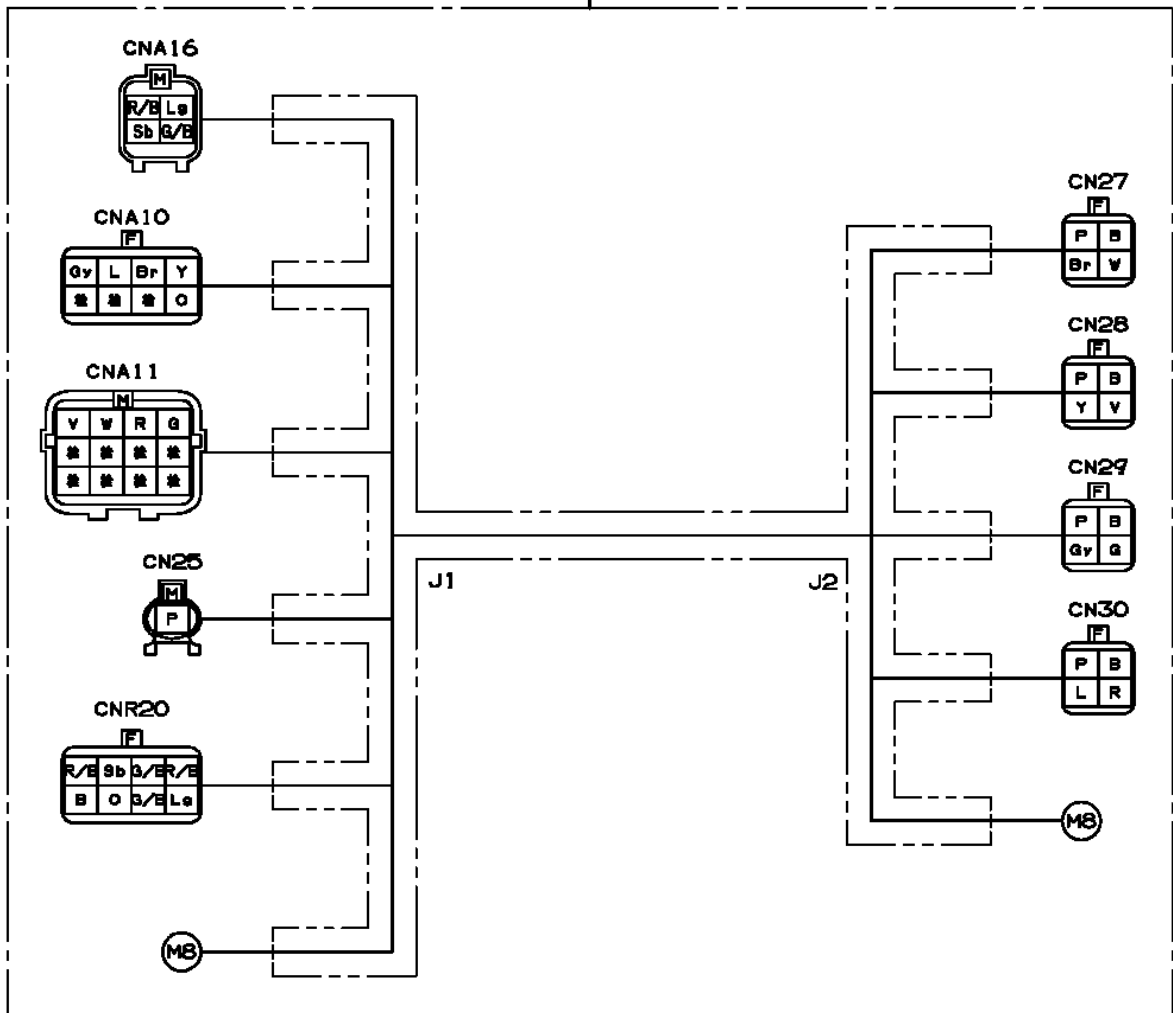
AT-120S-1 42081100003 UPPER
PH5032995-00 HARNESS

100



AT-120S-1 42081100003 UPPER
PH5033136-00 HARNESS

100



CLICK HERE TO **DOWNLOAD** THE COMPLETE MANUAL

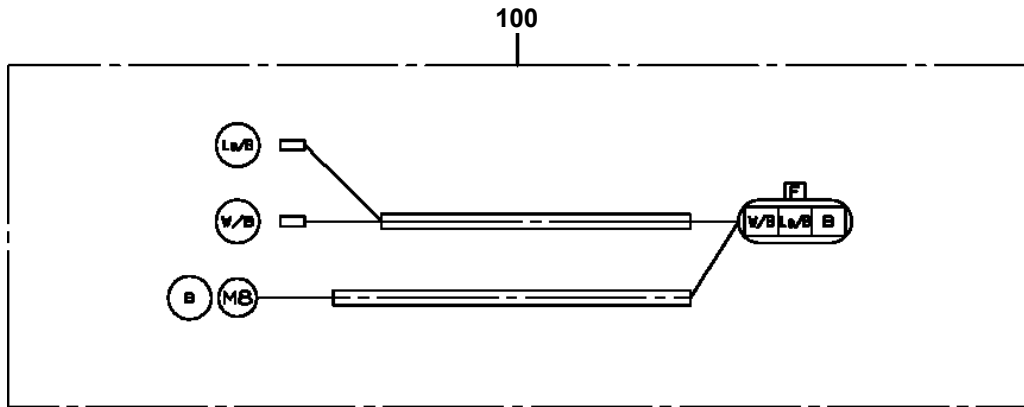
- Thank you very much for reading the preview of the manual.
- You can download the complete manual from: www.heydownloads.com by clicking the link below



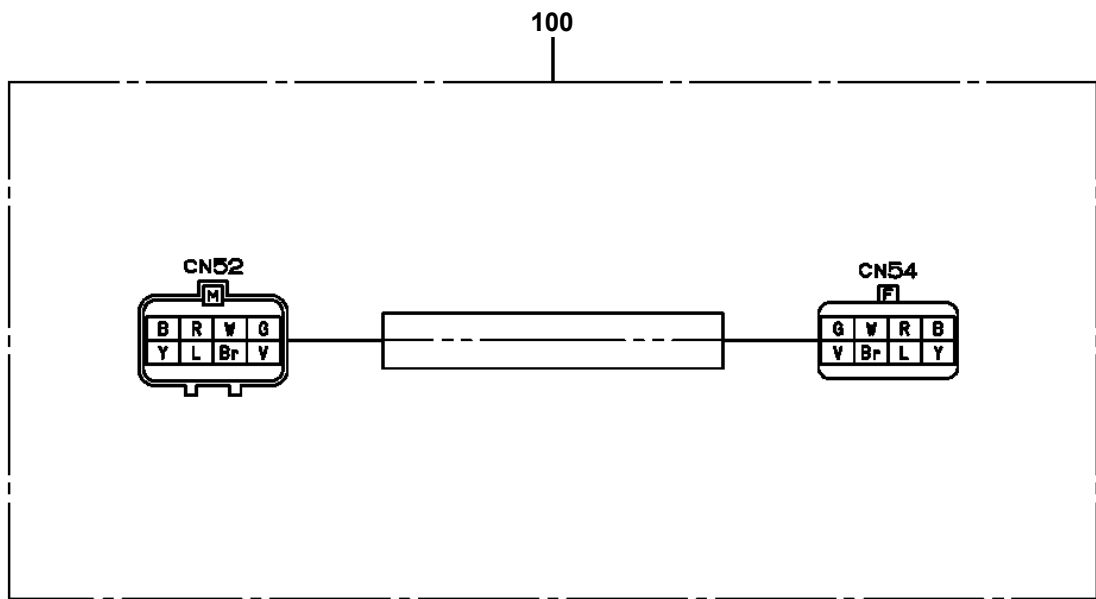
- Please note: If there is no response to CLICKING the link, please download this PDF first and then click on it.

CLICK HERE TO **DOWNLOAD** THE COMPLETE MANUAL

AT-120S-1 42081100003 UPPER
PH5033147-00 HARNESS



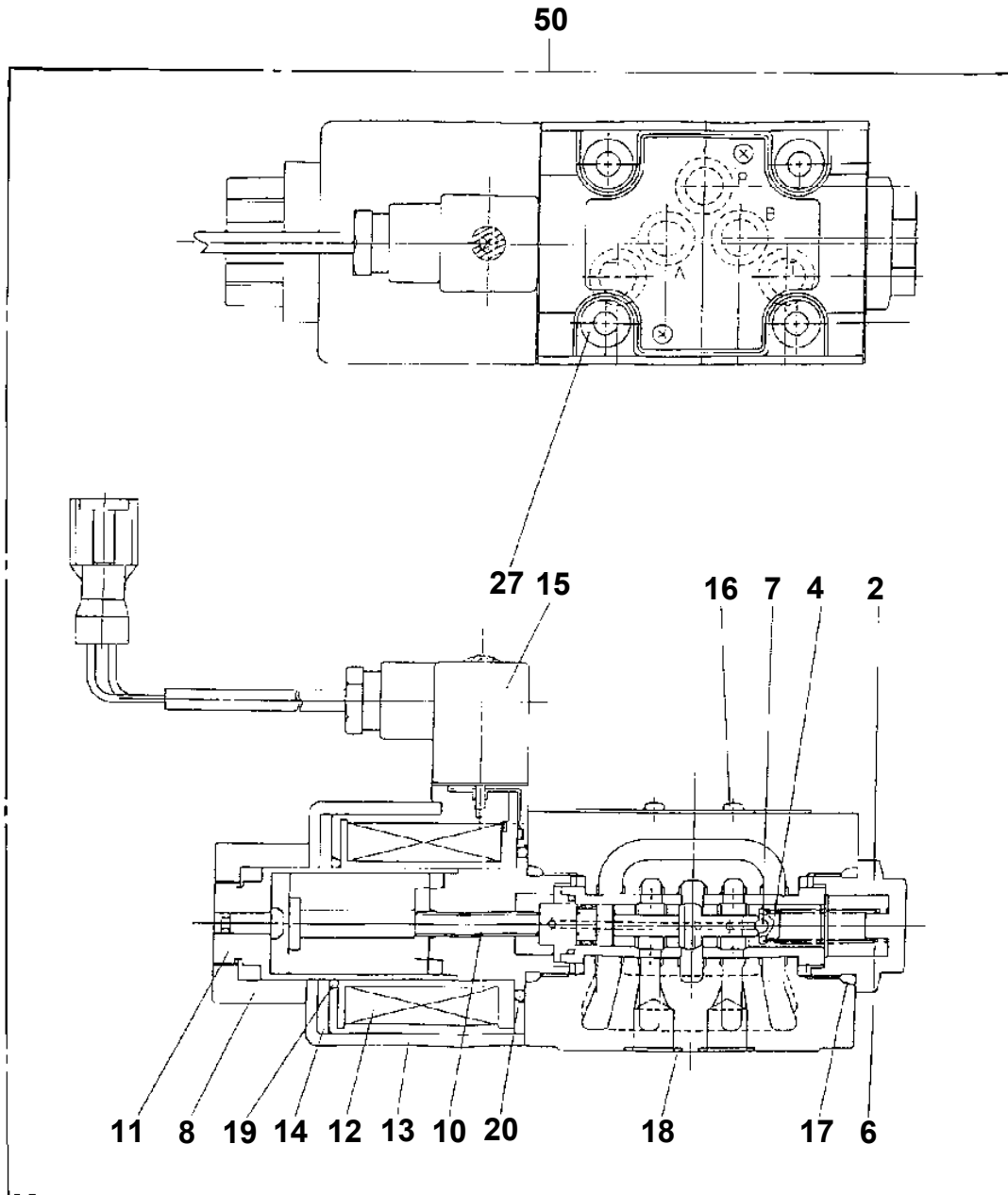
**AT-120S-1 42081100003 UPPER
PH5034309-00 HARNESS (100V POWER SUPPLY)**



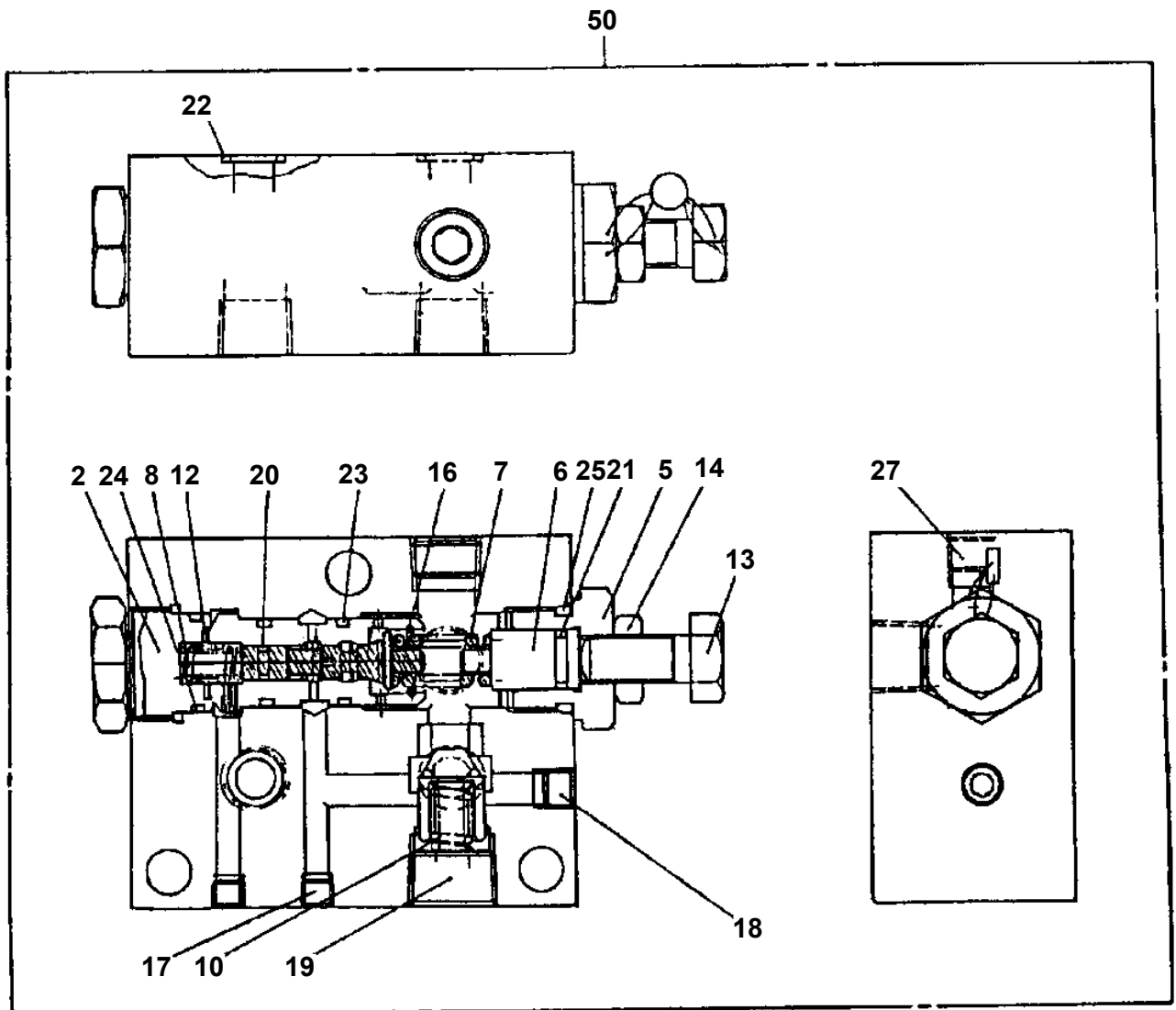
**AT-120S-1 42081100003 UPPER
PI1120183-00 VALVE, SOLENOID**

Assembly Name VALVE, SOLENOID

11112-0105-00



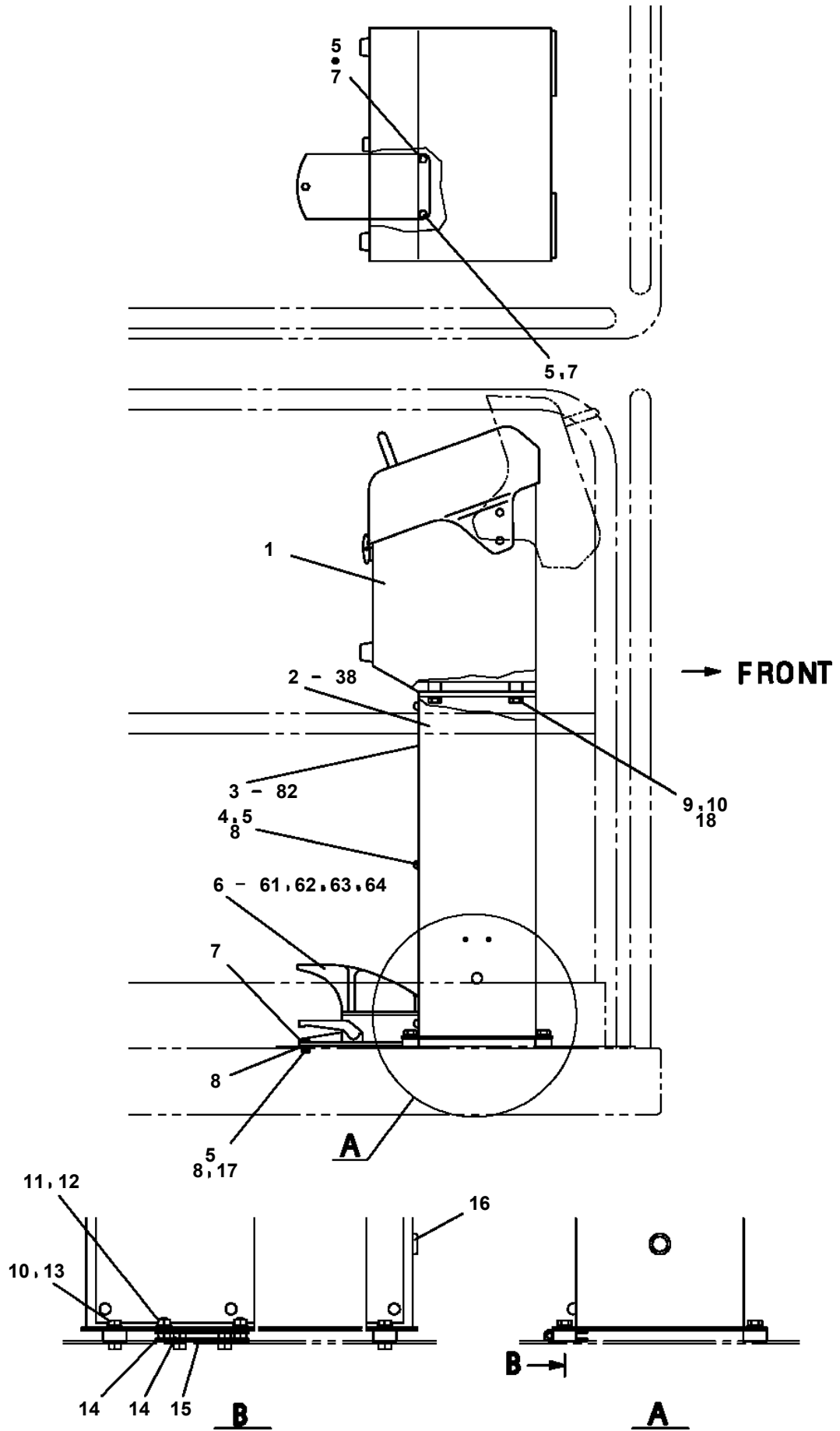
AT-120S-1 42081100003 UPPER
PI1250039-00 VALVE,COUNTERBALANCE



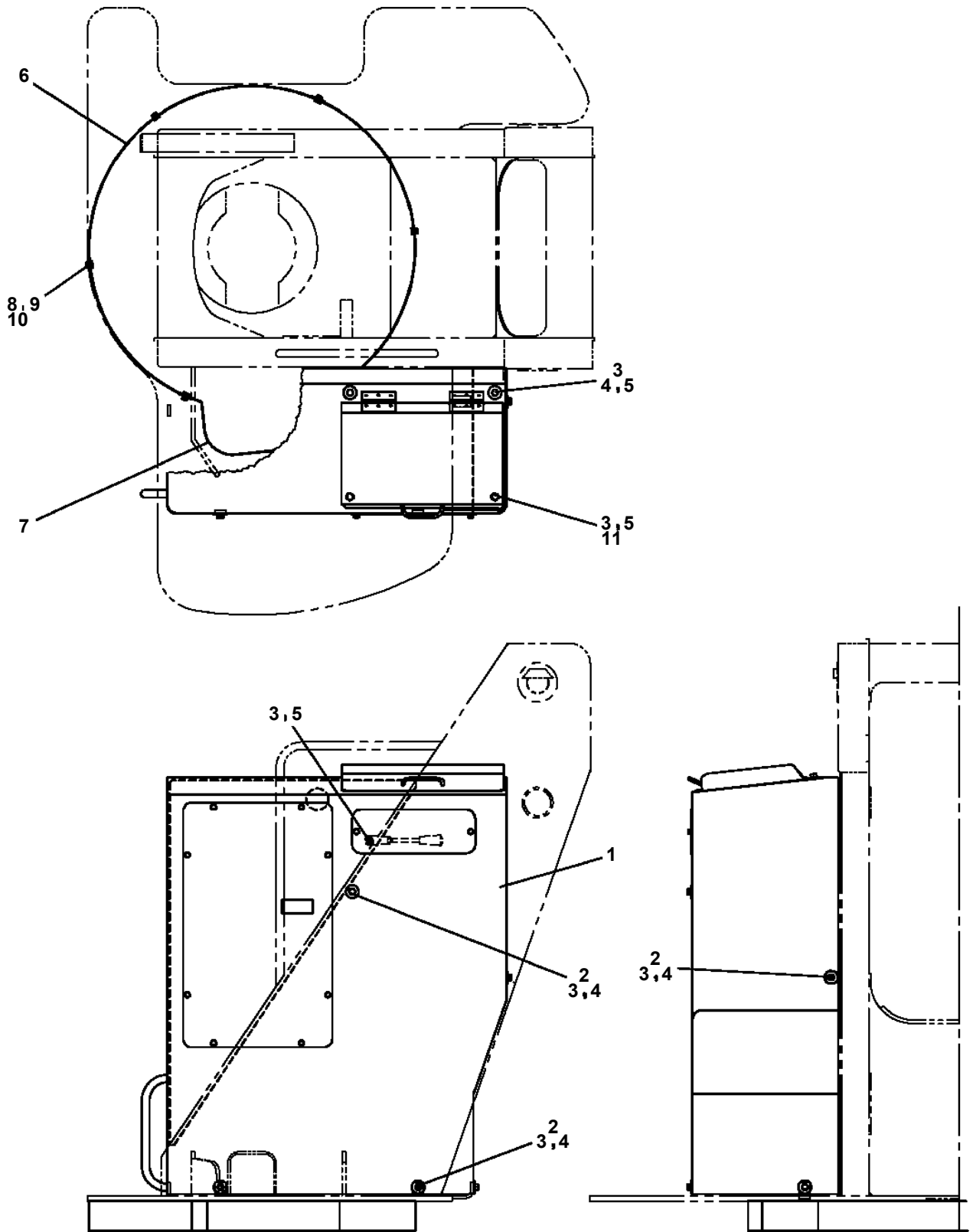
AT-120S-1 42081100003 UPPER

Pos No.	Parts No	Parts Name	Qty	Unit	Technical Data	Serial No (Start)	Serial No (End)	Remarks	Pages
1	90101210014	BOLT	4		M10X14				
2	90302041001	WASHER,SPRING	4		10				
3	31300030010	COVER	1						
4	31300030050	COVER	1						

AT-120S-1 42081100003 UPPER
PJ3180004-03 OPE.ASSY,PLATFORM



AT-120S-1 42081100003 UPPER
PK1200336-01 COVER, SWING FRAME



展開圖有
ILLUSTRATED BREAKDOWN NO. 1

AT-120S-1 42081100003 UPPER

Pos No.	Parts No	Parts Name	Qty	Unit	Technical Data	Serial No (Start)	Serial No (End)	Remarks
1	36663955100	SHAFT	1					
2	80500006206	BEARING,BALL	1					
4	91001206500	O-RING	1		1A G65			
5	36660025021	COVER (OIL SEAL)	1					
6	36660025140	SEAL,OIL	1					
7	36663485110	RING,RETAINING	1		R72			
8	36663955020	PLATE,THRUST	1					
9	36663955030	BARREL ASSY (CYLINDER)	1					
10	36663955040	PLATE (VALVE)	1					
11	36661925030	COVER (BOTTOM)	1					
12	80500006203	BEARING,BALL	1					
13	36662355110	PIN	2					
14	36663955050	O-RING	1					
15	36663955060	BOLT	6		M10X35			
16	14125151020	KEY	1					
17	36660125060	PLUG	2		PF3/8			
18	36081315130	PROTECTOR (THREAD)	2					
44	36660025100	SPRING (PLUNGER)	5					
45	14125151300	RING,RETAINING	1					
46	12645103171	SPRING (CENTER)	1					
100	36664070000	MOTOR,OIL	1					

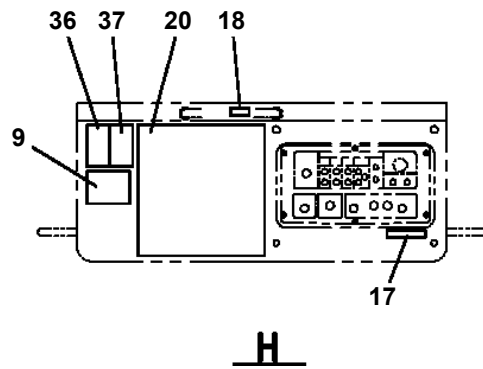
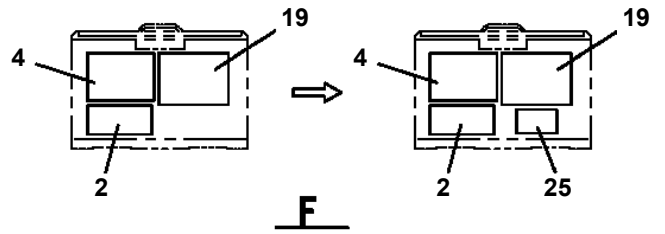
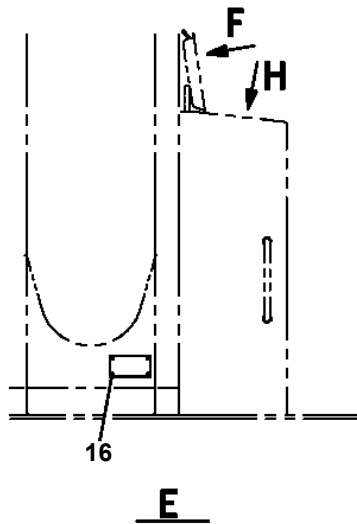
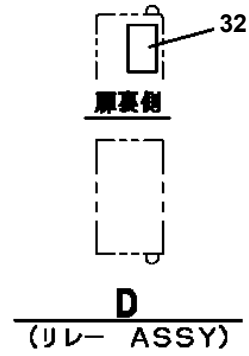
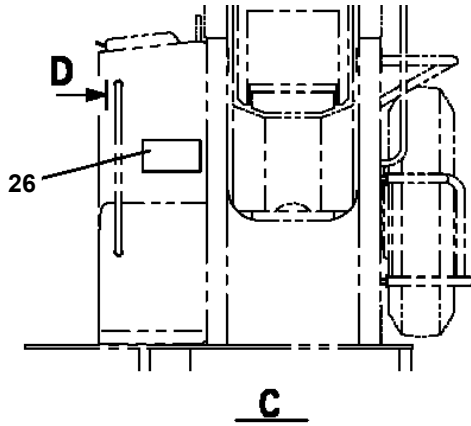
AT-120S-1 42081100003 UPPER

Pos No.	Parts No	Parts Name	Qty	Unit	Technical Data	Serial No (Start)	Serial No (End)
1	42354221100	HARNESS (100V POWER SUPPLY)	1				
2	42354221200	HARNESS (SIGNAL)	1				
3	42352741300	HARNESS (LEVELING CYLINDER)	1				
4	42351621100	CLAMP ASSY	1		12X1		
5	42351621200	CLAMP ASSY	1		12X2		
6	42650600300	SWITCH ASSY (WITH HARNESS,1 SW)	1				
7	91810130230	FASTENER	20				
8	37000714010	CLAMP ASSY	1		12X1		
9	37000714020	CLAMP ASSY	1		12X2		
10	82100002039	CLAMP	2				
11	90101208016	BOLT	7		M8X16		
12	90201200800	NUT	1		M8		
13	90302040801	WASHER,SPRING	7		8		
14	37000300720	SLEEVE	5		12-10		
15	82100002008	CLAMP	5		WR12		
16	90101206014	BOLT	4		M6X14		
17	90302040601	WASHER,SPRING	11		6		
18	42354201300	HARNESS	1				
19	37000714030	CLAMP ASSY	1		18X1		
20	90201200600	NUT	8		M6		
21	82100002006	CLAMP	3		WR10		
22	82100002004	CLAMP	2		WR8		
23	42352851010	SUPPORT	2				
24	90303070801	WASHER,PLAIN	4		8		
25	42352851020	PLATE	1				
26	90131505020	BOLT,HEXAGON SOCKET	2		M5X20		
27	90201200500	NUT	2		M5		
28	90302040501	WASHER,SPRING	2		5		
29	90303070601	WASHER,PLAIN	1		6		
30	37000300710	SLEEVE	1		12-8		
31	42354201400	HARNESS	1		L=100		
32	42354201500	HARNESS	1		L=200		
33	42354201600	HARNESS	1				
34	44431000010	PLUG	1				

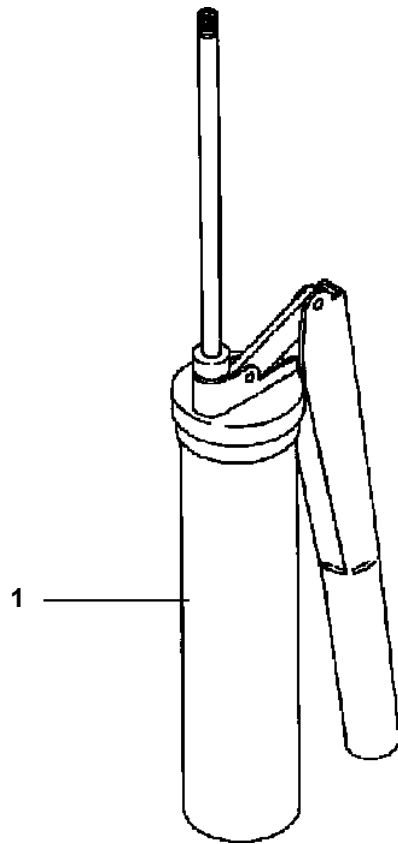
AT-120S-1 42081100003 UPPER

Pos No.	Parts No	Parts Name	Qty	Unit	Technical Data	Serial No (Start)	Serial No (End)	Rem
1	42476331200	SWITCH ASSY	1					
2	82460104228	GRIP	1					
3	42500002010	HARNESS	1					
4	91810130240	FASTENER	5					
16	82197518114	CAP (MATSUSHITA/BLACK)	1					
	82197518119	CAP (PLUS ONE MFG./BLACK)	1					

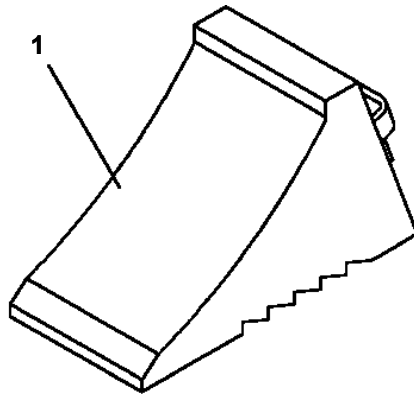
AT-120S-1 42081100003 UPPER
 PO1013603-02 PLATE ASSY,NAME (UPPER)



**AT-120S-1 42081100003 UPPER
PP5450004-00 PUMP, GREASE (400CC)**



**AT-120S-1 42081100003 UPPER
PW5110002-00 WEDGE (STOPPER FOR TIRE/WAZUMI)**



CLICK HERE TO **DOWNLOAD** THE COMPLETE MANUAL

- Thank you very much for reading the preview of the manual.
- You can download the complete manual from: www.heydownloads.com by clicking the link below



- Please note: If there is no response to CLICKING the link, please download this PDF first and then click on it.

CLICK HERE TO **DOWNLOAD** THE COMPLETE MANUAL