

AT-110-1 42084121500 LOWER,MITSUBISHI PA-FE73DB 4UKA3

PB3000027-00 POWER UNIT
PO1000149-00 INDICATION PLATES
PX2000318-01 CARRIER UNIT
PX3000227-00 MOUNTING UNIT
PY1000656-02 OPTIONS
ASSEMBLY

CLICK HERE TO **DOWNLOAD** THE COMPLETE MANUAL

- Thank you very much for reading the preview of the manual.
- You can download the complete manual from: www.heydownloads.com by clicking the link below



- Please note: If there is no response to CLICKING the link, please download this PDF first and then click on it.

CLICK HERE TO **DOWNLOAD** THE COMPLETE MANUAL

AT-110-1 42084121500 LOWER,MITSUBISHI PA-FE73DB 4UKA3

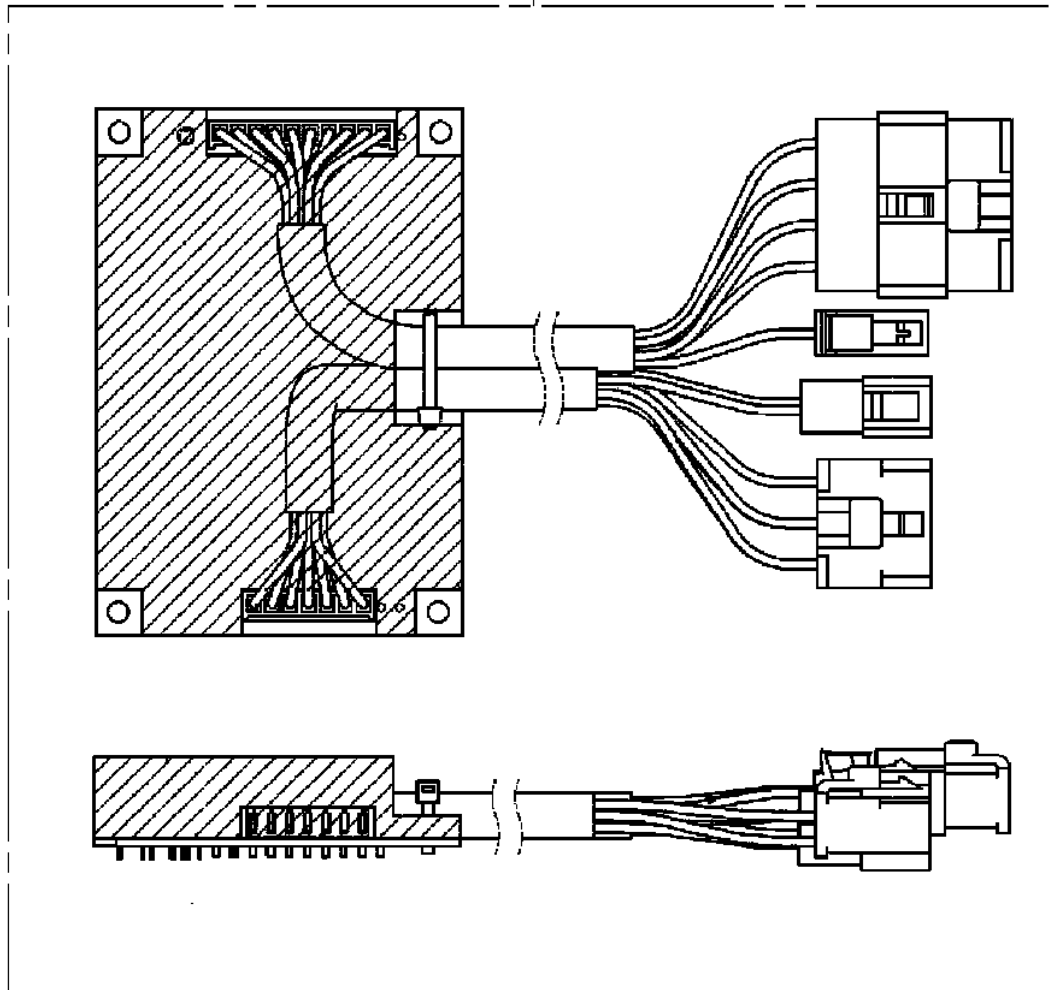
Pos No.	Parts No	Parts Name	Qty	Unit	Technical Data	Serial No (Start)	Serial No (End)
1	(*****)	POWER SUPPLY (LOWER)	1				
2	(*****)	BOX,TOOL (OPTION)	1				
3	(*****)	MOUNT,SUPPORT	1				
4	(*****)	EARTHING DEVICE (8X20M)	1				
	(*****)	EARTHING DEVICE (8X10M,OPTION)	1				
6	(*****)	OPE.ASSY (LEVELING/WITH POWER SUPPLY)	1				
	(*****)	OPE.ASSY (LEVELING/WITHOUT POWER SUPPLY)	1				
8	(*****)	STEP	1				
9	(*****)	VIEW SYSTEM (FOR ISUZU/ST-900)	1				

AT-110-1 42084121500 LOWER,MITSUBISHI PA-FE73DB 4UKA3

Pos No.	Parts No	Parts Name	Qty	Unit	Technical Data	Serial No (Start)	Serial No (End)	Remarks	Pages
1	36654110000	PUMP,HYDRAULIC	1						00000

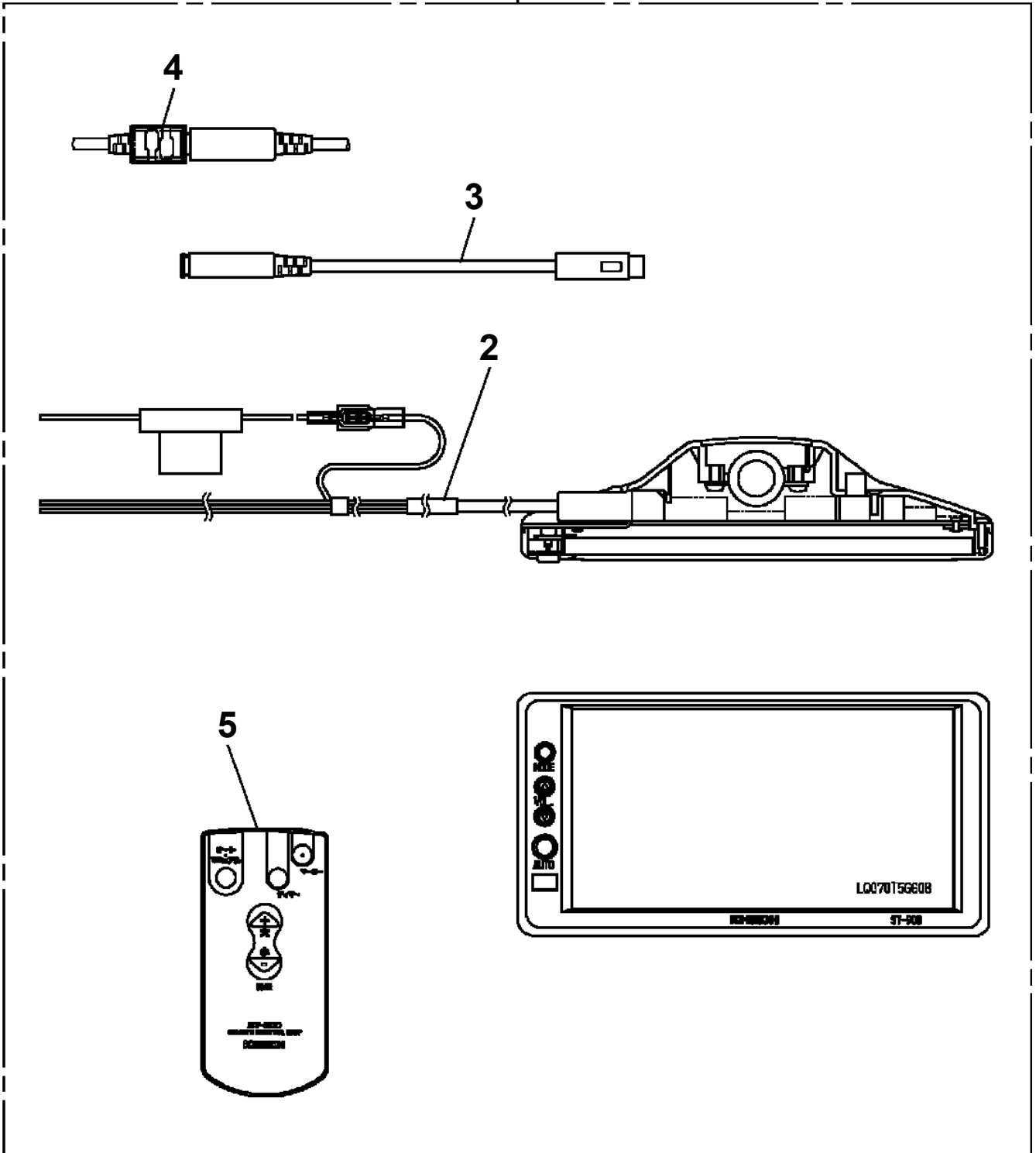
AT-110-1 42084121500 LOWER, MITSUBISHI PA-FE73DB 4UKA3
PC5420023-00 CONTROLLER

100

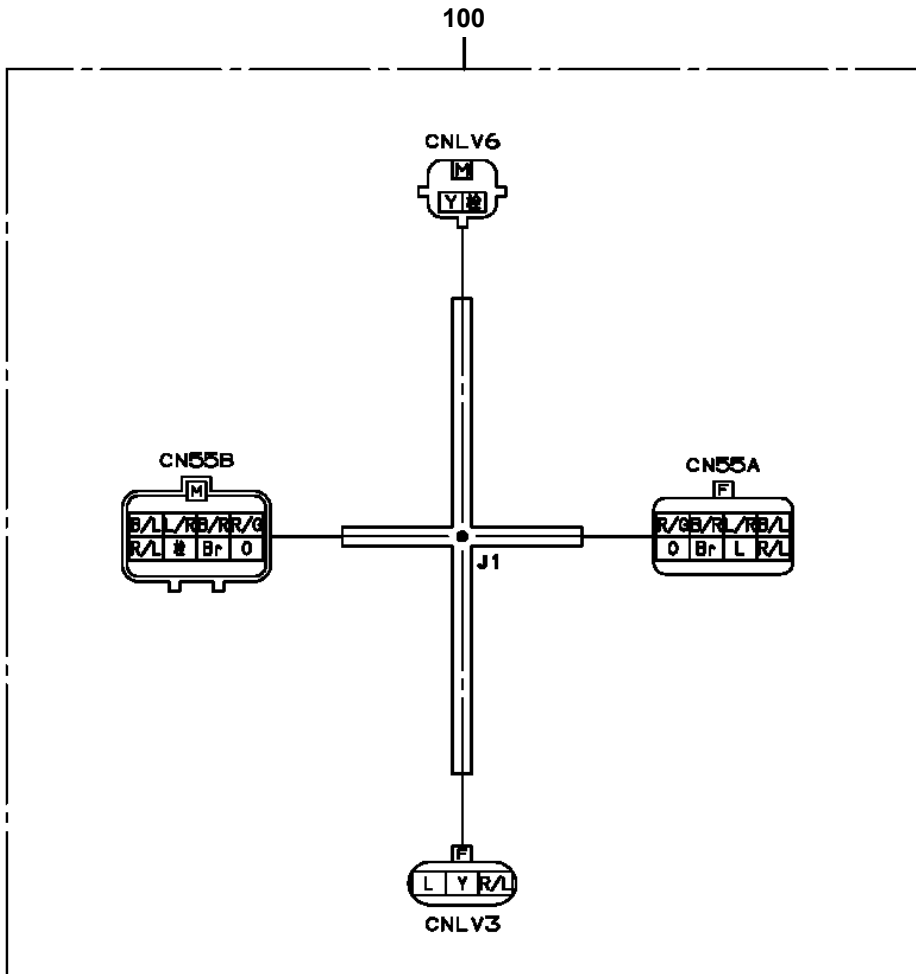


AT-110-1 42084121500 LOWER, MITSUBISHI PA-FE73DB 4UKA3
PH1710015-00 DISPLAY

100

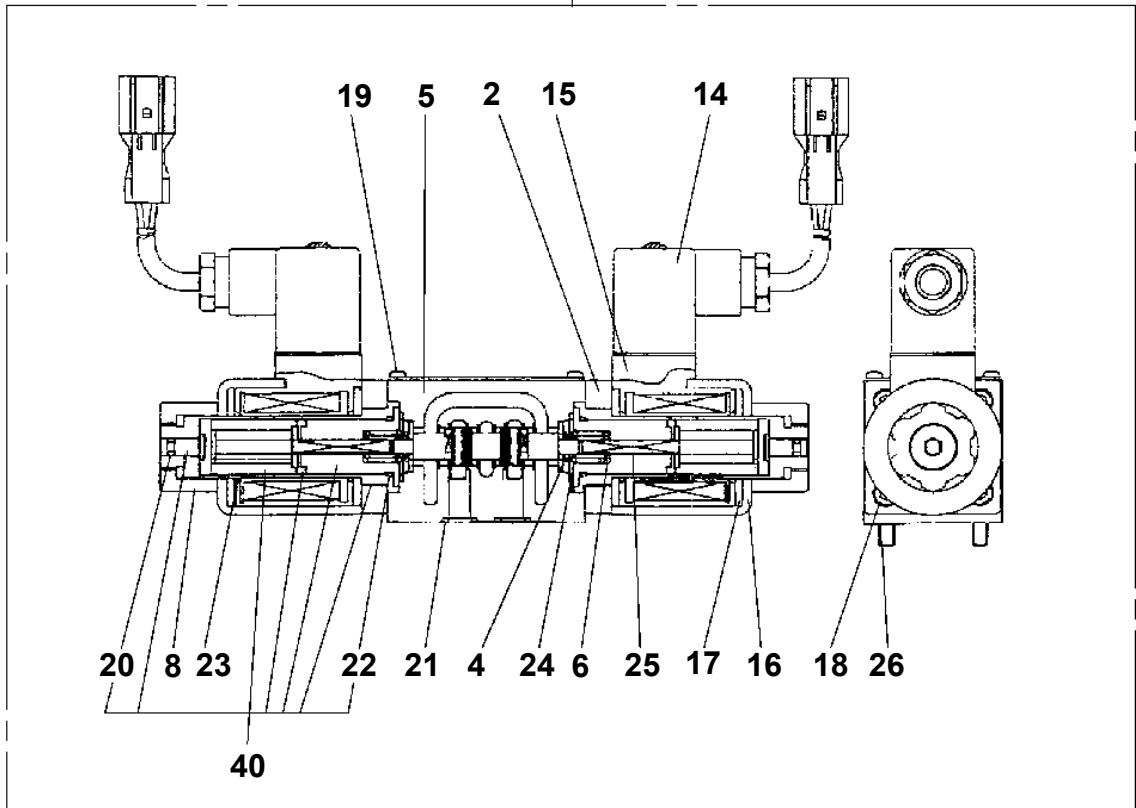


AT-110-1 42084121500 LOWER, MITSUBISHI PA-FE73DB 4UKA3
PH5032162-00 HARNESS

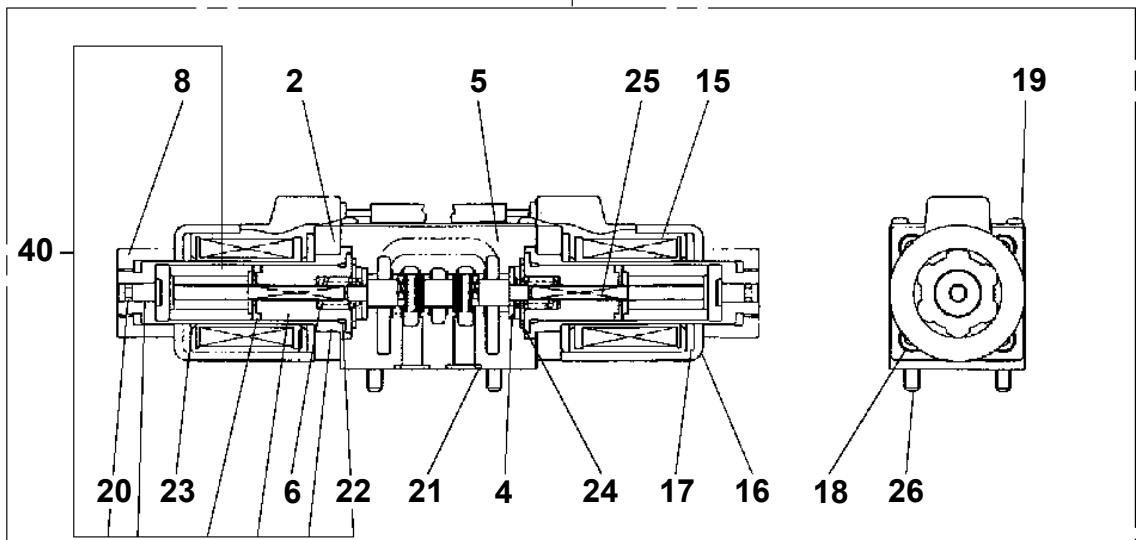


**AT-110-1 42084121500 LOWER, MITSUBISHI PA-FE73DB 4UKA3
PI1120157-01 VALVE, SOLENOID**

200



200



CLICK HERE TO **DOWNLOAD** THE COMPLETE MANUAL

- Thank you very much for reading the preview of the manual.
- You can download the complete manual from: www.heydownloads.com by clicking the link below



- Please note: If there is no response to CLICKING the link, please download this PDF first and then click on it.

CLICK HERE TO **DOWNLOAD** THE COMPLETE MANUAL

AT-110-1 42084121500 LOWER,MITSUBISHI PA-FE73DB 4UKA3

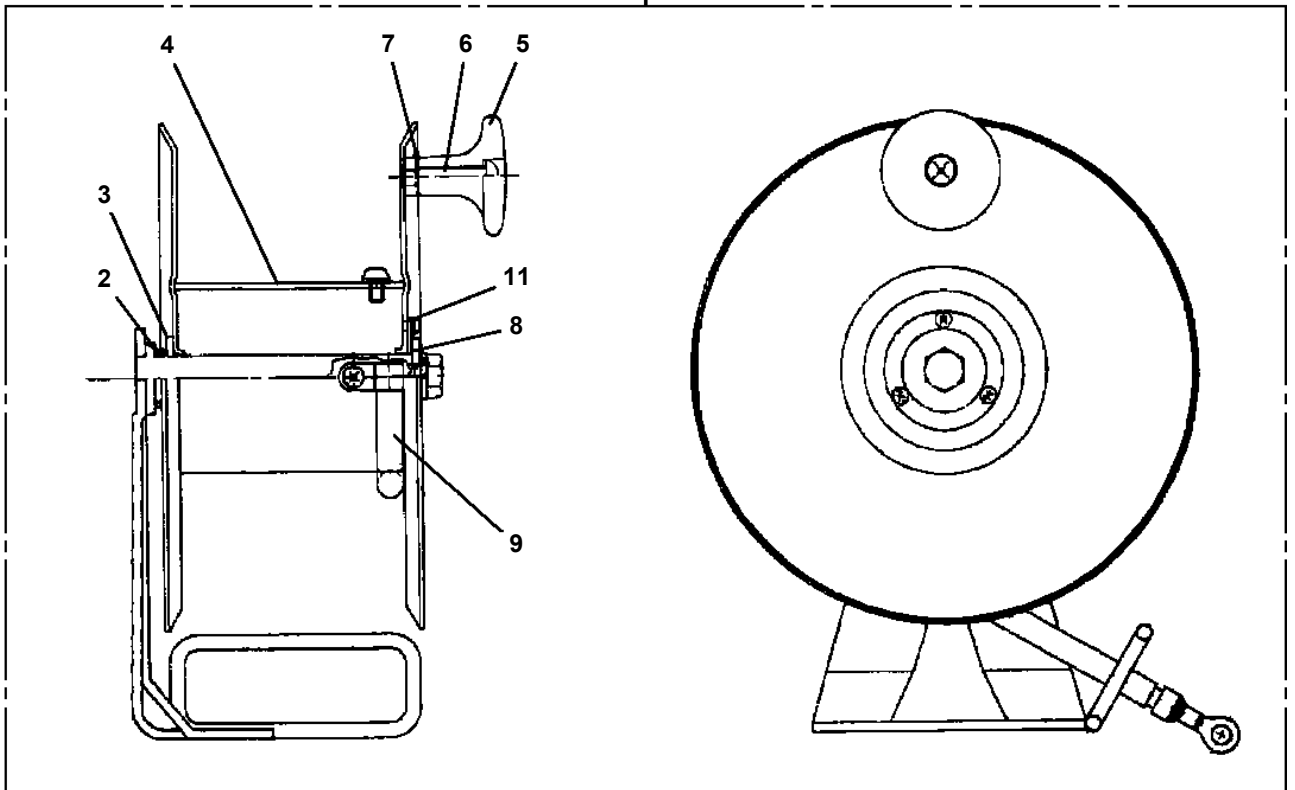
Pos No.	Parts No	Parts Name	Qty	Unit	Technical Data	Serial No (Start)	Serial No (End)	Remarks
4	36625115010	JOINT	1					
5	91002801800	O-RING	1		1B P18			
50	36625250000	VALVE,CHECK (UZUMAKI)	1					

AT-110-1 42084121500 LOWER,MITSUBISHI PA-FE73DB 4UKA3

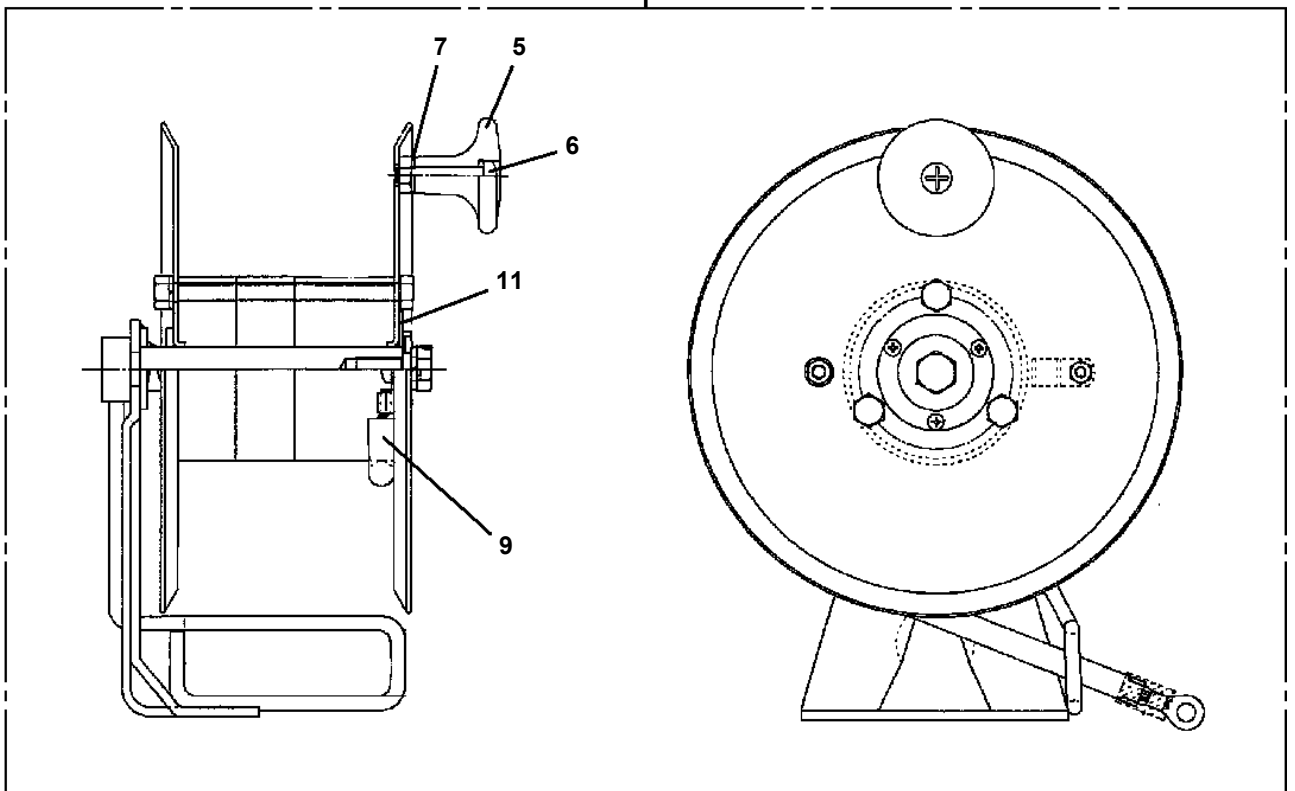
Pos No.	Parts No	Parts Name	Qty	Unit	Technical Data	Serial No (Start)	Serial No (End)	Remarks	Pages
1	42652695010	CABLE ASSY	1		L=1500				
2	42650680600	CAP	1						
3	37002703390	CABLE ASSY	1		L=270				
4	91810132530	FASTENER	6						

AT-110-1 42084121500 LOWER, MITSUBISHI PA-FE73DB 4UKA3
PN1350026-01 REEL, CORD (FOR EARTHING)

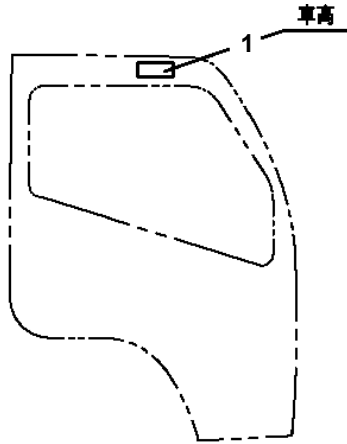
50



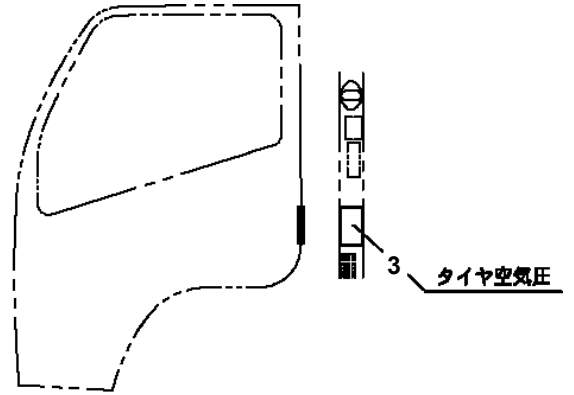
50



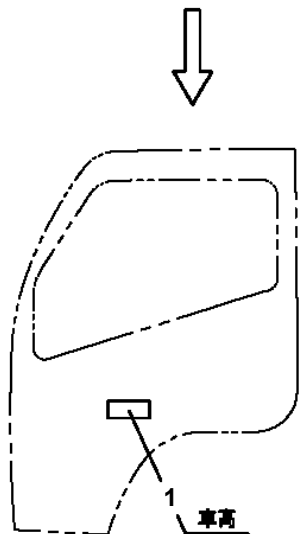
AT-110-1 42084121500 LOWER, MITSUBISHI PA-FE73DB 4UKA3
 PO1013125-05 PLATE ASSY, NAME (VEHICLE HEIGHT, LOADING CAPACITY, TIRE)



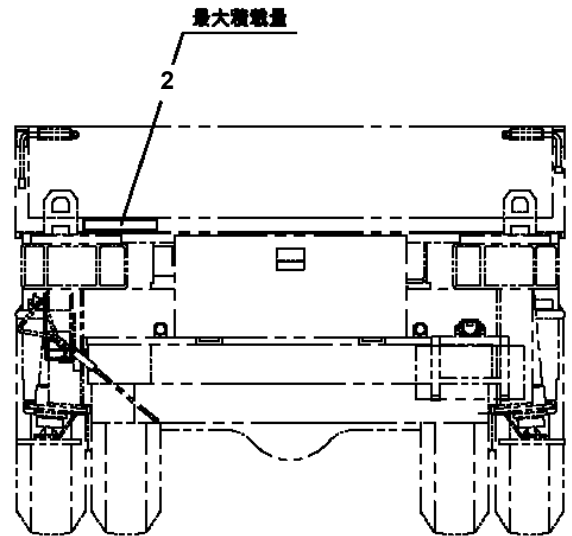
左側ドア内側参考貼付位置



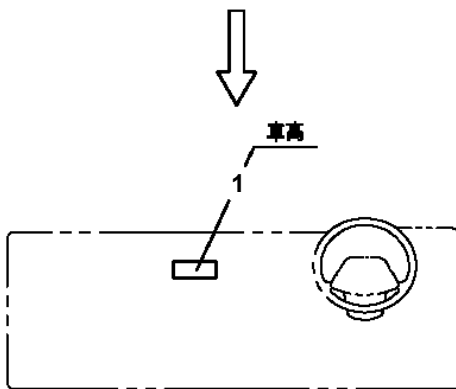
右側ドア内側参考貼付位置



右側ドア内側参考貼付位置



車両後部参考貼付位置



インパネ部参考貼付位置

1
車高 2.8 m

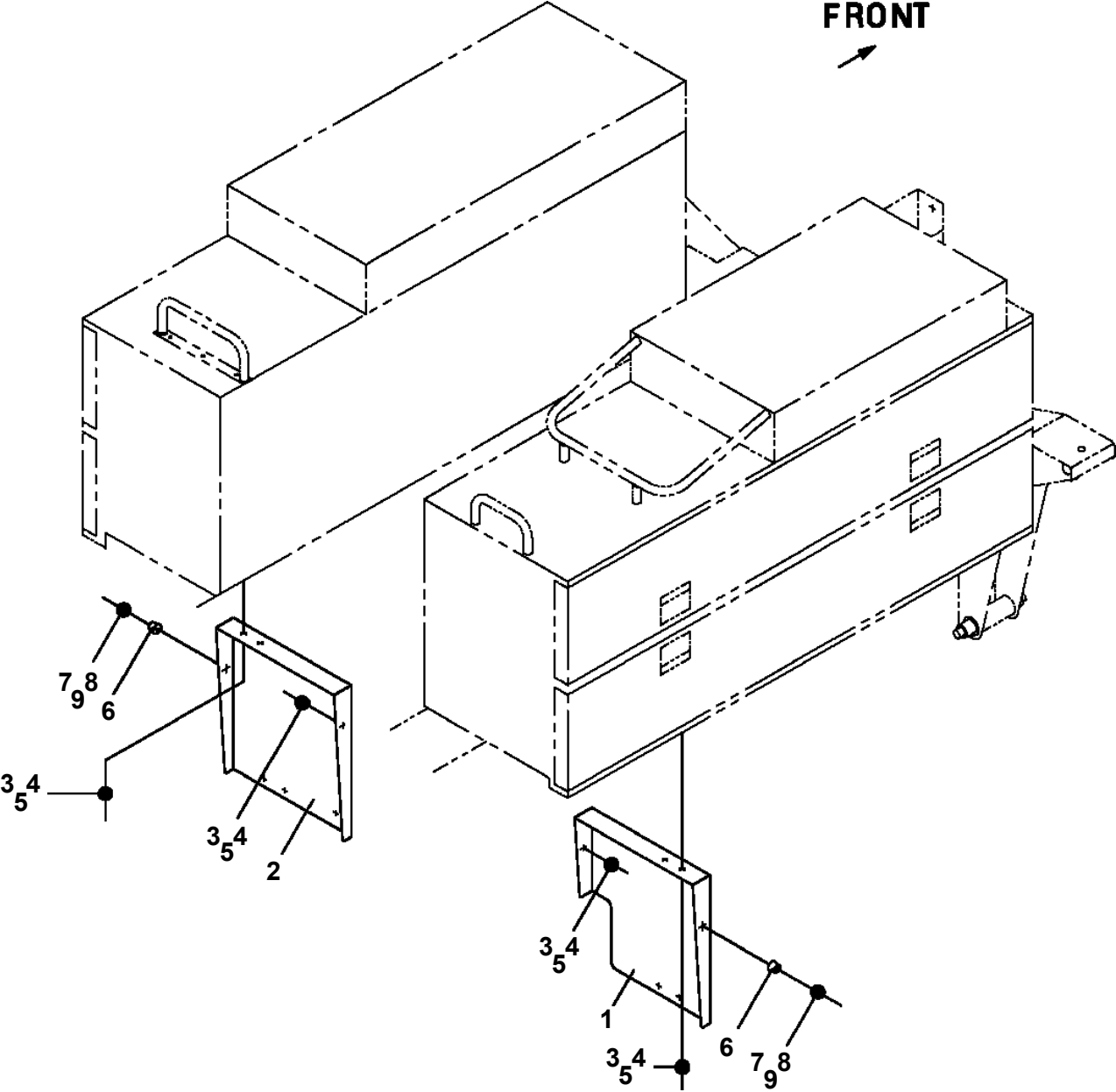
2
最大積載量 500Kg

3

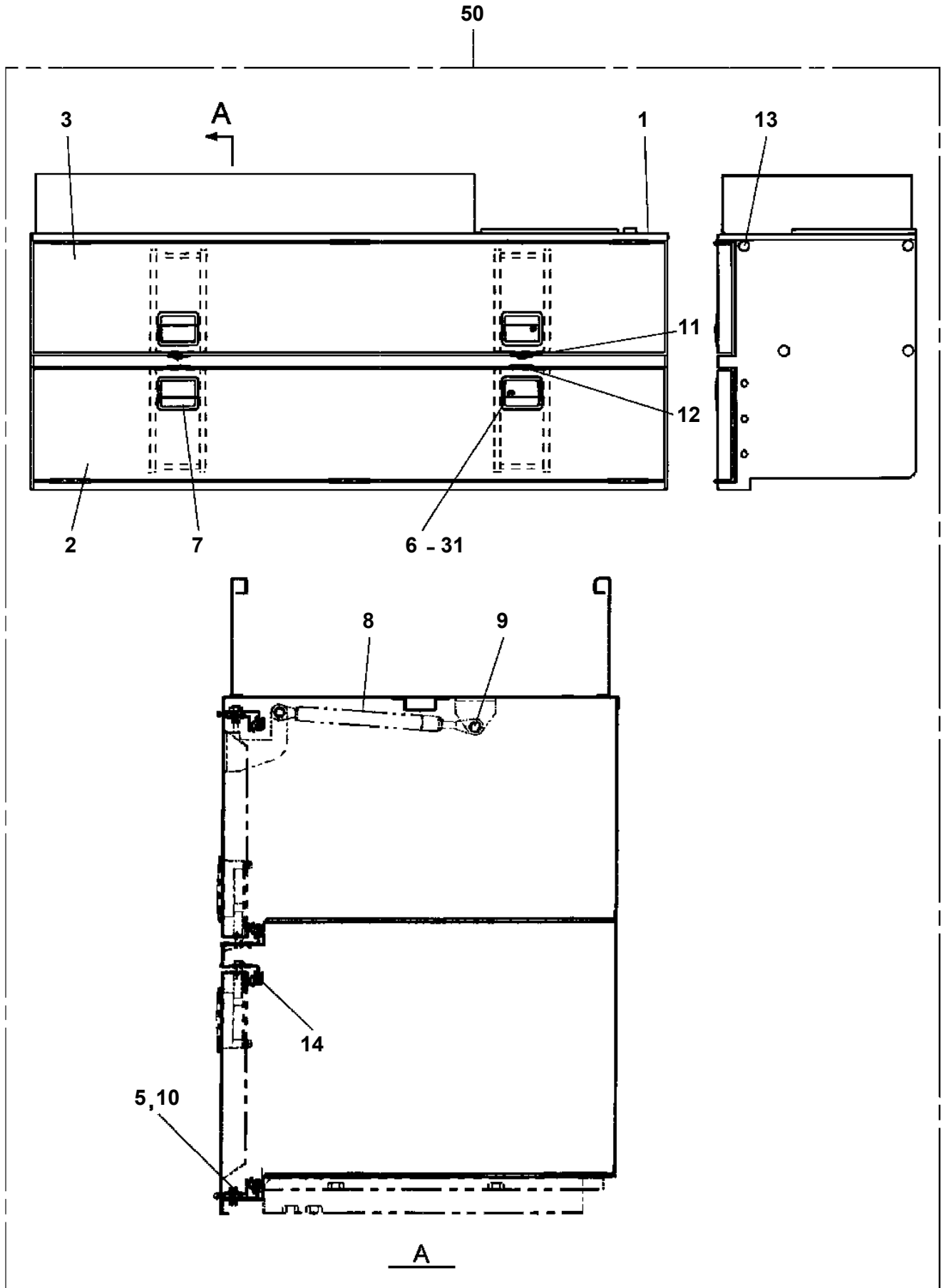
タイヤサイズ	タイヤ空気圧 kPa (kg/cm ²)	
	前輪	後輪
195/80R16	800	800
114/112	85.00	85.00
205/70R17.5	800	800
115/113	85.00	85.00
205/75R16	800	800
113/111L	85.00	85.00
7.00-16-10PR	800	800
	85.00	85.00
7.00-16-12PR	875	875
	89.79	89.79
7.00R16-10PR	800	800
	85.00	85.00
7.00R16-12PR	800	800
	85.00	85.00
215/70R17.5	800	800
115/116L	85.00	85.00
225/60R17.5	800	800
116/114L	85.00	85.00

© 三菱自動車工業株式会社 2022-04-05

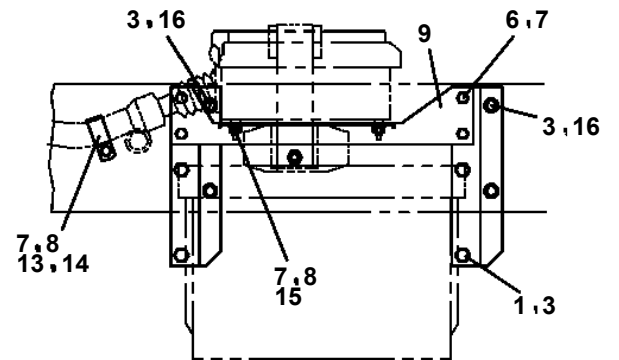
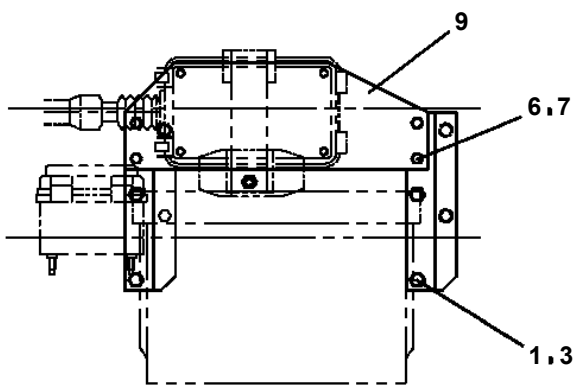
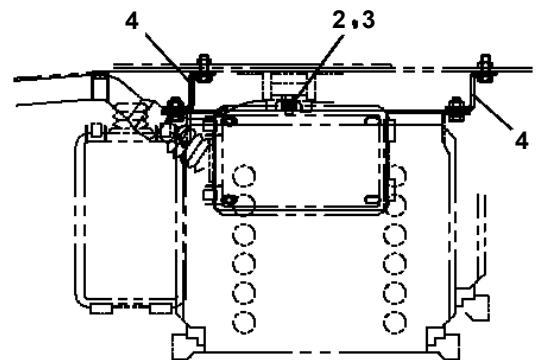
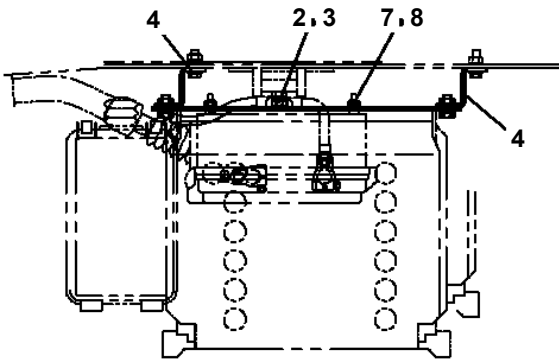
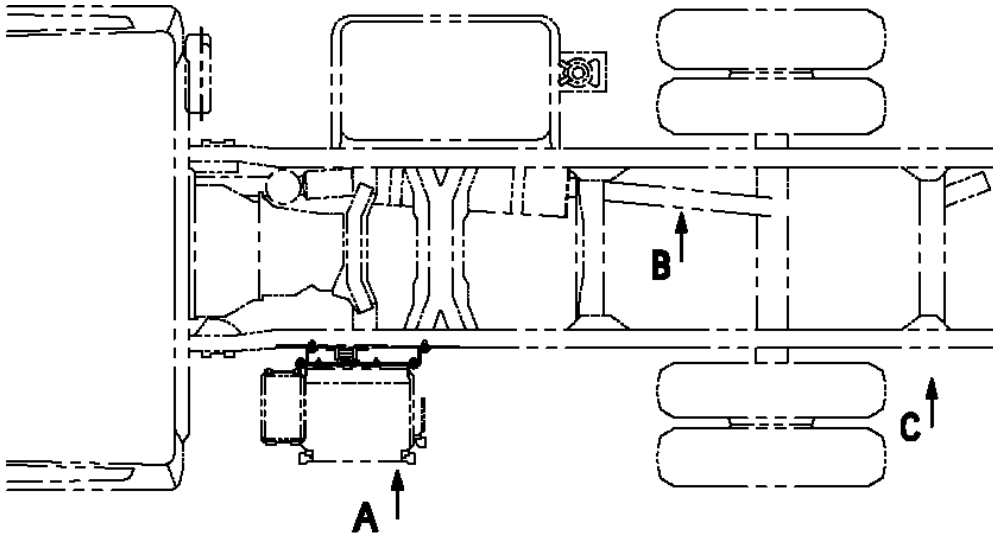
AT-110-1 42084121500 LOWER, MITSUBISHI PA-FE73DB 4UKA3
PX1210078-00 GUARD



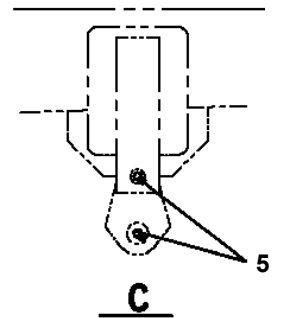
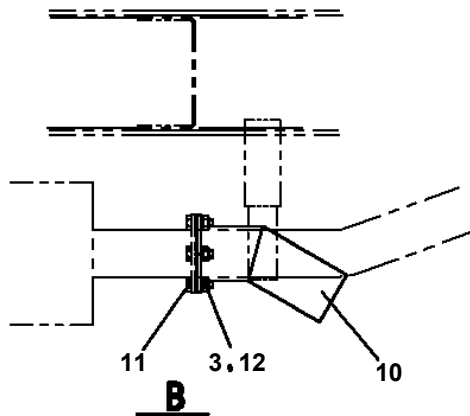
AT-110-1 42084121500 LOWER, MITSUBISHI PA-FE73DB 4UKA3
PX1350442-01 BOX, TOOL (LEFT)



**AT-110-1 42084121500 LOWER, MITSUBISHI PA-FE73DB 4UKA3
PX1390732-02 MODIFICATION PARTS**



A



B

C

CLICK HERE TO **DOWNLOAD** THE COMPLETE MANUAL

- Thank you very much for reading the preview of the manual.
- You can download the complete manual from: www.heydownloads.com by clicking the link below



- Please note: If there is no response to CLICKING the link, please download this PDF first and then click on it.

CLICK HERE TO **DOWNLOAD** THE COMPLETE MANUAL