

**AT-100S-2 42080241100 LOWER,ISUZU BKG-NKR85AN-EE5AHY-JM**

PB3000101-00 POWER UNIT

PO1000149-00 INDICATION PLATES

PX2001287-00 CARRIER UNIT

PX3000527-00 MOUNTING UNIT

PY1001333-01 OPTIONS,1

PY5000007-00 OPTION UNIT,2 (LOWER)

ASSEMBLY

CLICK HERE TO **DOWNLOAD** THE COMPLETE MANUAL

- Thank you very much for reading the preview of the manual.
- You can download the complete manual from: [www.heydownloads.com](http://www.heydownloads.com) by clicking the link below



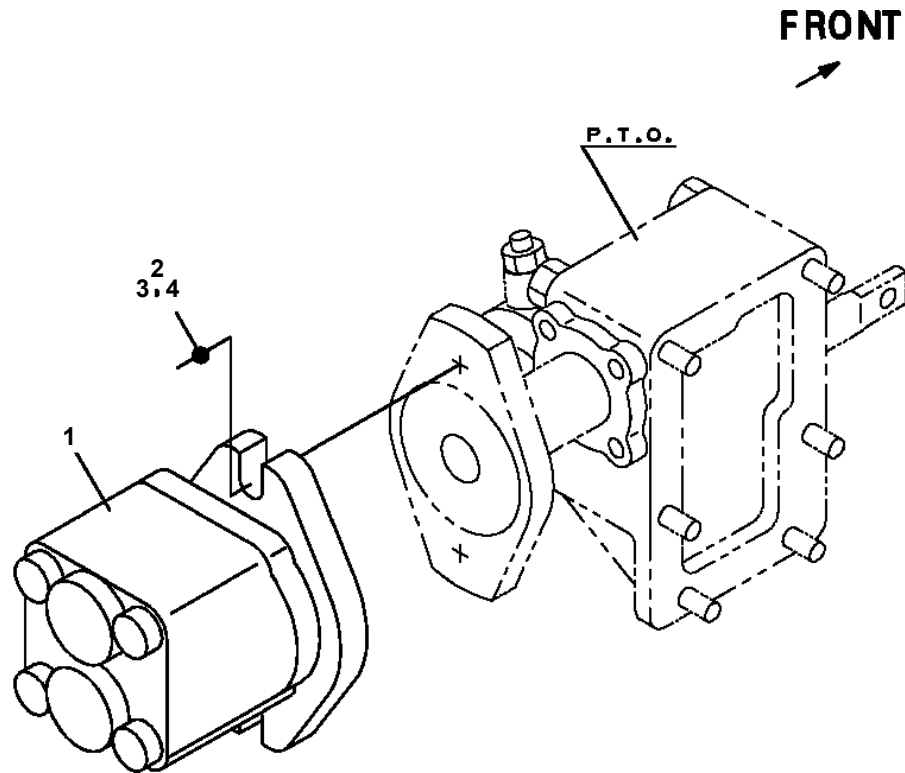
- Please note: If there is no response to CLICKING the link, please download this PDF first and then click on it.

CLICK HERE TO **DOWNLOAD** THE COMPLETE MANUAL

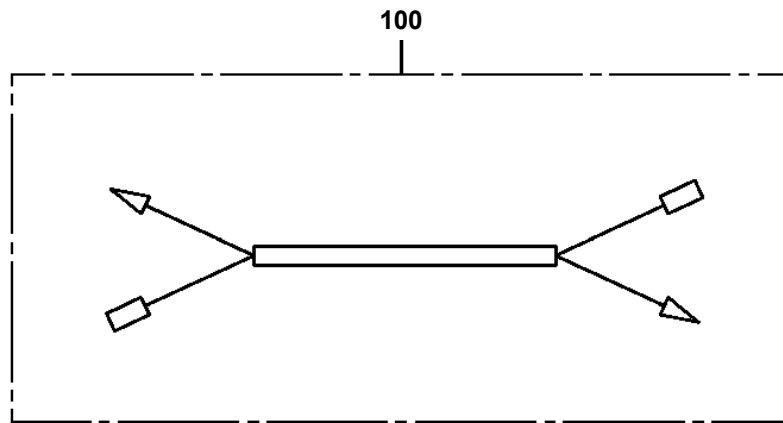
**AT-100S-2 42080241100 LOWER,ISUZU BKG-NKR85AN-EE5AHY-JM**

Pos No.	Parts No	Parts Name	Qty	Unit	Technical Data	Serial No (Start)	Serial No (End)
1	(*****)	CAB GUARD INSTALLATION	1				
2	(*****)	ALARM SYSTEM (ISUZU:EXHAUST,2007)	1				
3	(*****)	ELEC.ASSY (PLATFORM/EXHAUST,2009)	1				

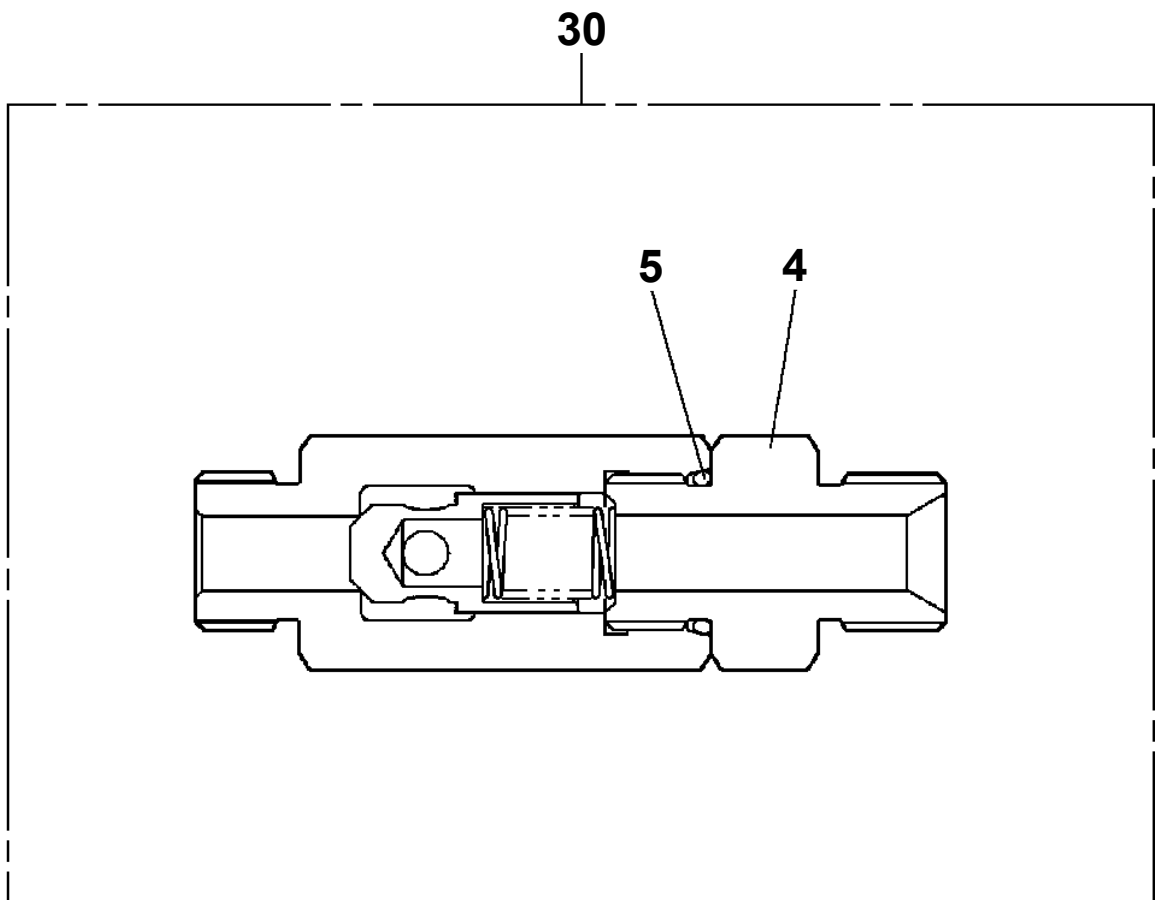
AT-100S-2 42080241100 LOWER,ISUZU BKG-NKR85AN-EE5AHY-JM  
PB1100280-00 PUMP,HYDRAULIC (MOUNT)



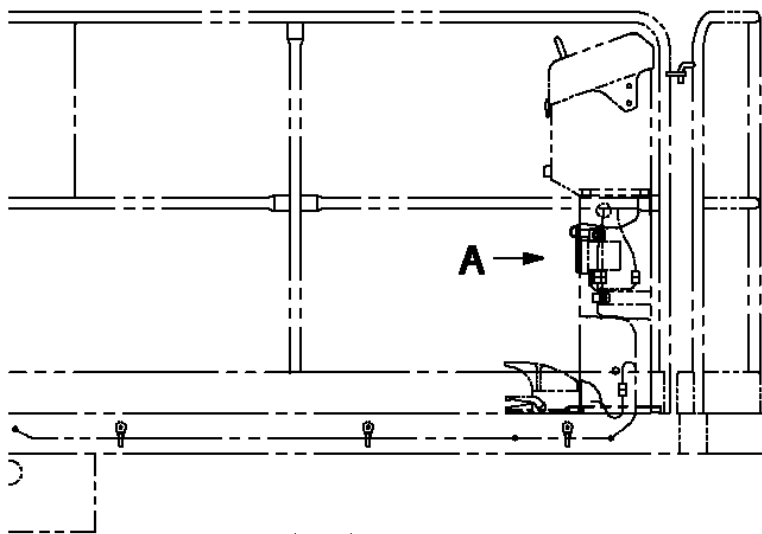
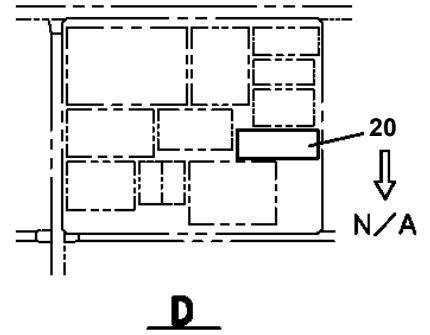
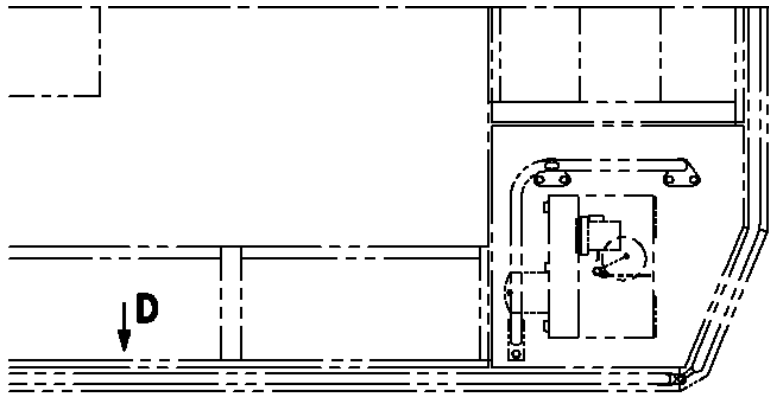
AT-100S-2 42080241100 LOWER,ISUZU BKG-NKR85AN-EE5AHY-JM  
PH5030979-00 HARNESS



**AT-100S-2 42080241100 LOWER,ISUZU BKG-NKR85AN-EE5AHY-JM  
PI1140189-00 VALVE,CHECK**



AT-100S-2 42080241100 LOWER, ISUZU BKG-NKR85AN-EE5AHY-JM  
 PN1014765-02 ELEC.ASSY (PLATFORM/EXHAUST,2009)



20

**注意 / 排ガス浄化装置**

○「排ガス警報」ランプが点滅しアザーが鳴った場合は作動を中止しブームを後退してください。そのまま使用を続けると、排ガス浄化装置およびエンジンが故障します。急いでPTOを切り車両の取扱説明書に従って再点検を行ってください。

9

**排ガス警報**

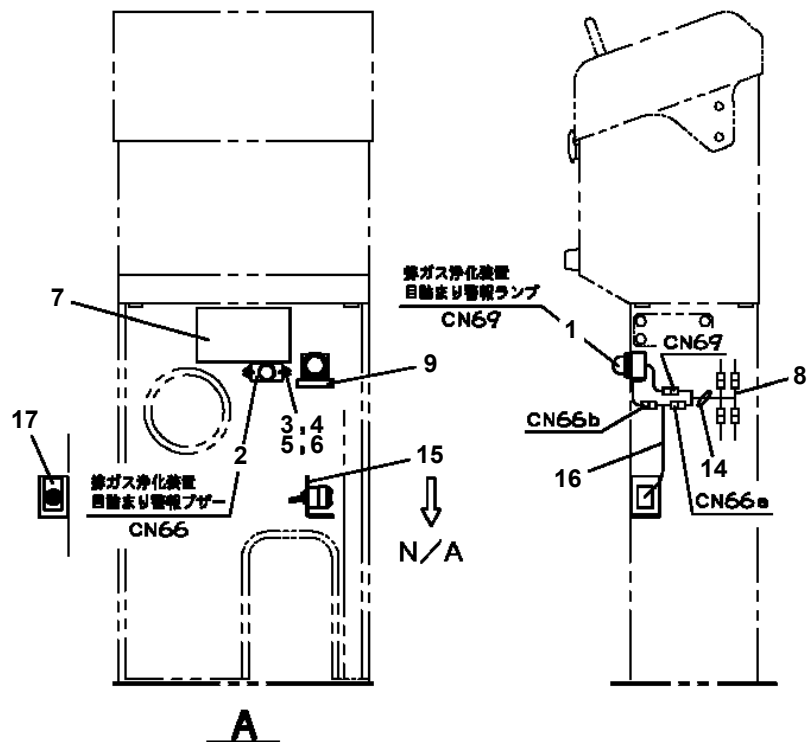
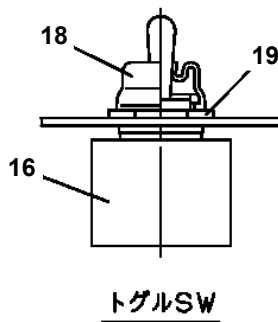
17

排ガス警報音

ON

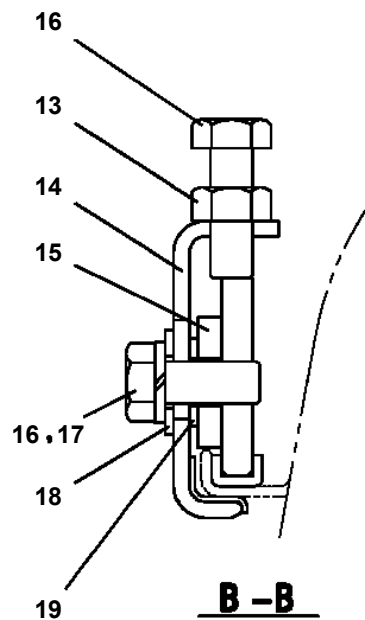
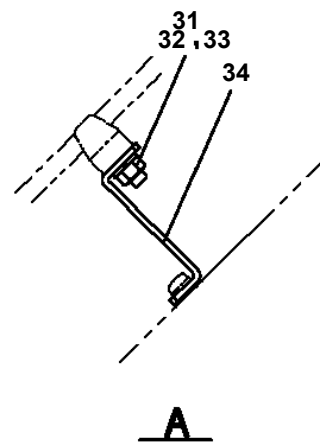
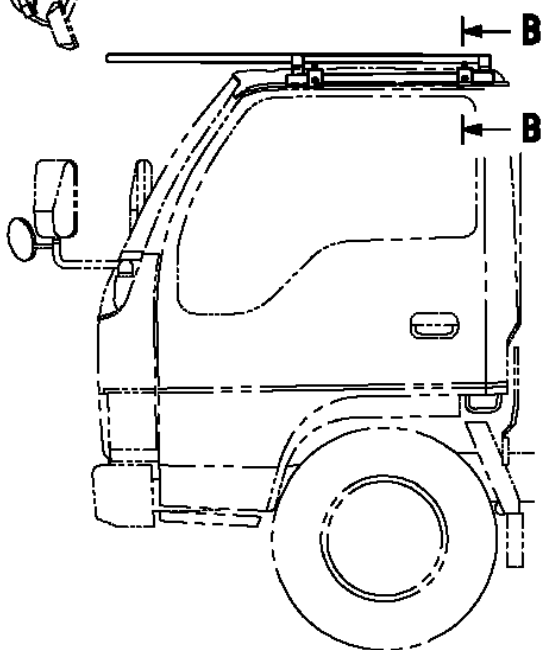
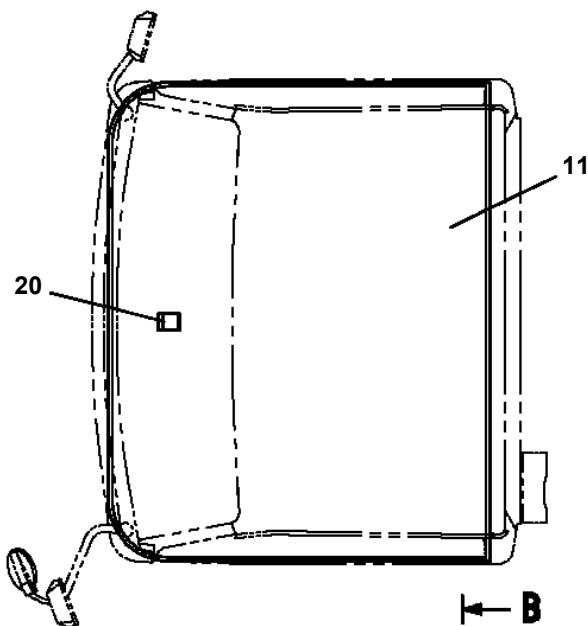
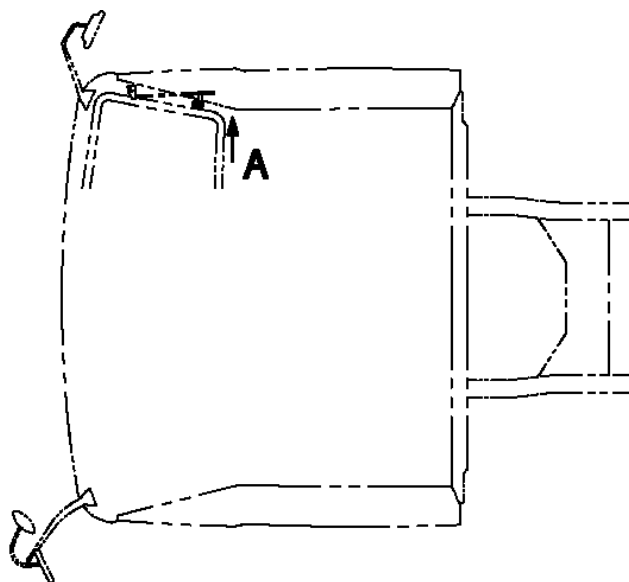
OFF

デッキ部





AT-100S-2 42080241100 LOWER, ISUZU BKG-NKR85AN-EE5AHY-JM  
PX1370135-03 CAB GUARD INSTALLATION



**B-B**

CLICK HERE TO **DOWNLOAD** THE COMPLETE MANUAL

- Thank you very much for reading the preview of the manual.
- You can download the complete manual from: [www.heydownloads.com](http://www.heydownloads.com) by clicking the link below



- Please note: If there is no response to CLICKING the link, please download this PDF first and then click on it.

CLICK HERE TO **DOWNLOAD** THE COMPLETE MANUAL