

AT-100-5 42063541091 UPPER,LOWER,ISUZU TPG-NKR85AN-EE5AHY

PB0000276-02 UPPER STRUCTURE SYSTEM

PB0000500-02 LOWER STRUCTURE SYSTEM

ASSEMBLY

CLICK HERE TO **DOWNLOAD** THE COMPLETE MANUAL

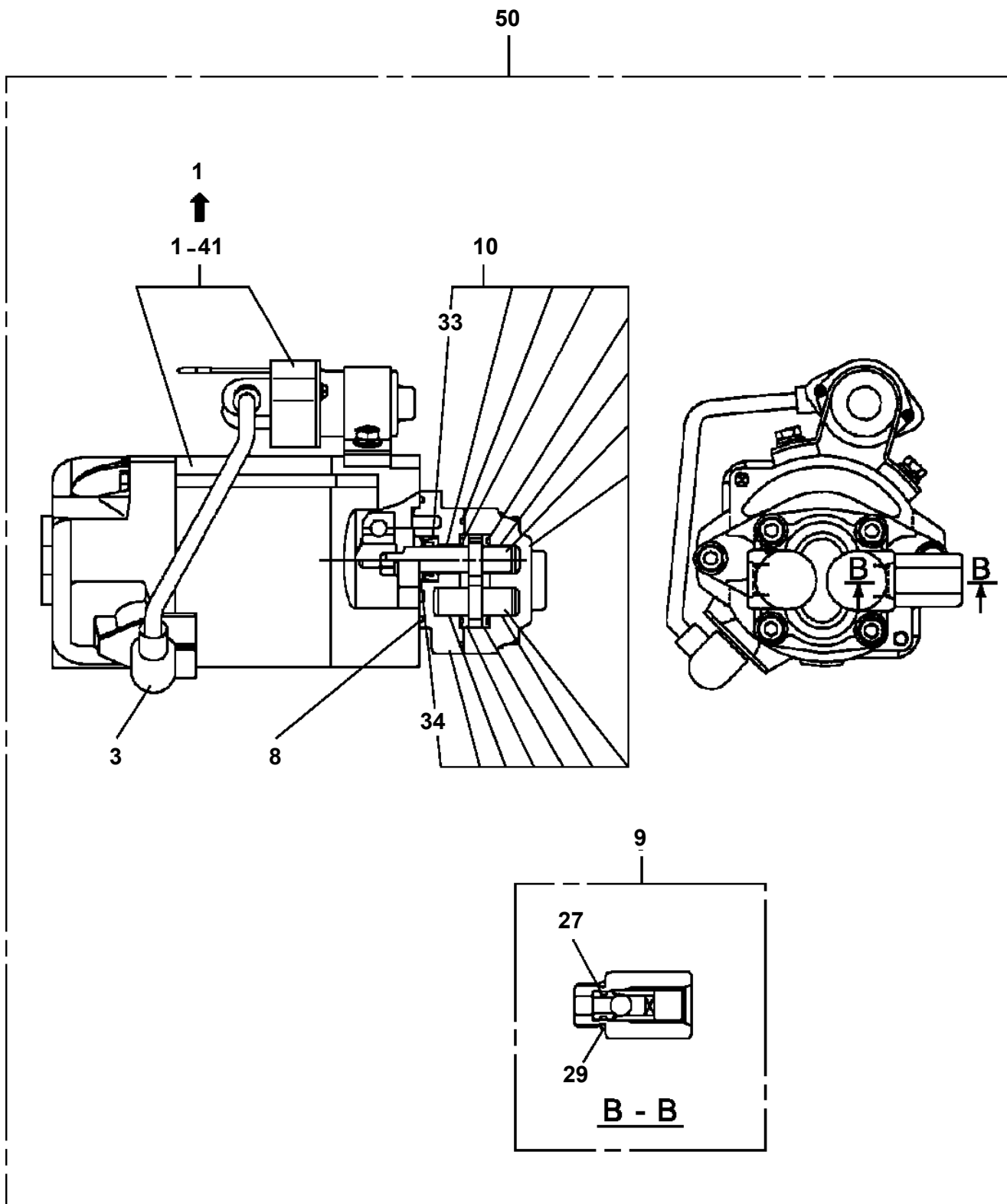
- Thank you very much for reading the preview of the manual.
- You can download the complete manual from: www.heydownloads.com by clicking the link below



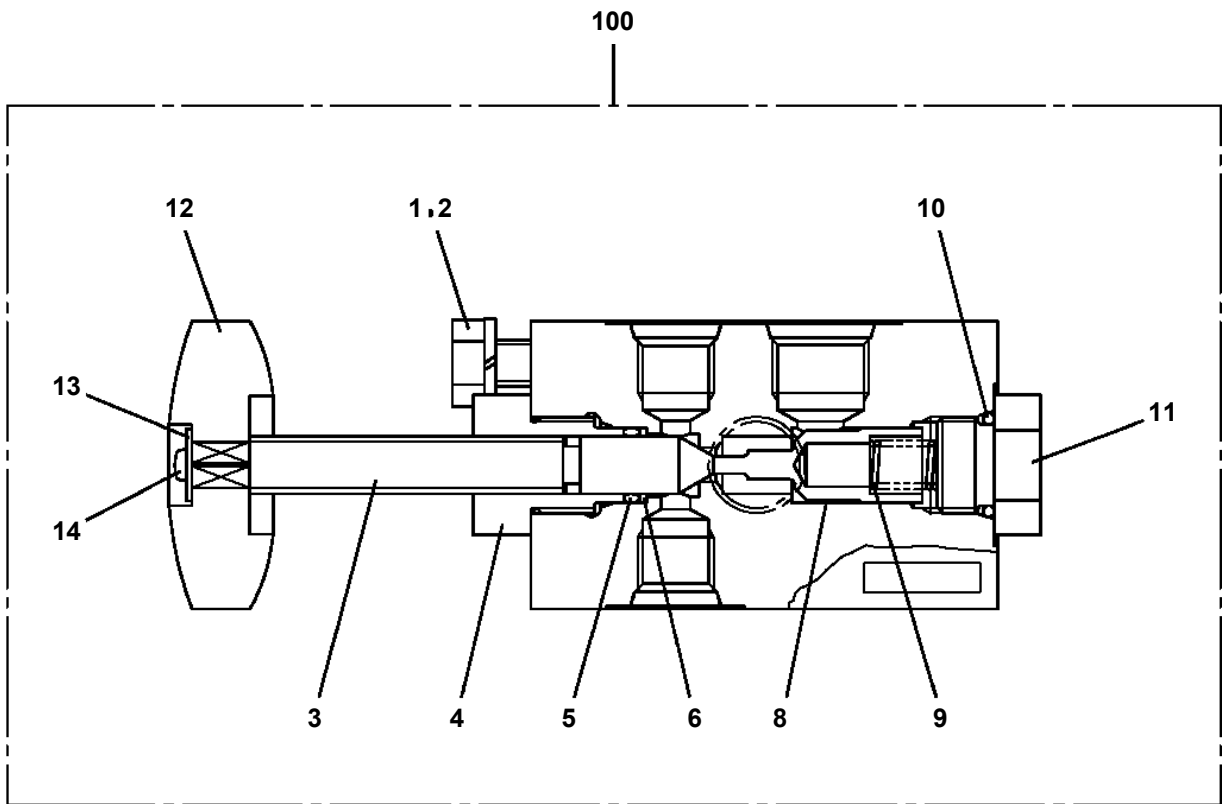
- Please note: If there is no response to CLICKING the link, please download this PDF first and then click on it.

CLICK HERE TO **DOWNLOAD** THE COMPLETE MANUAL

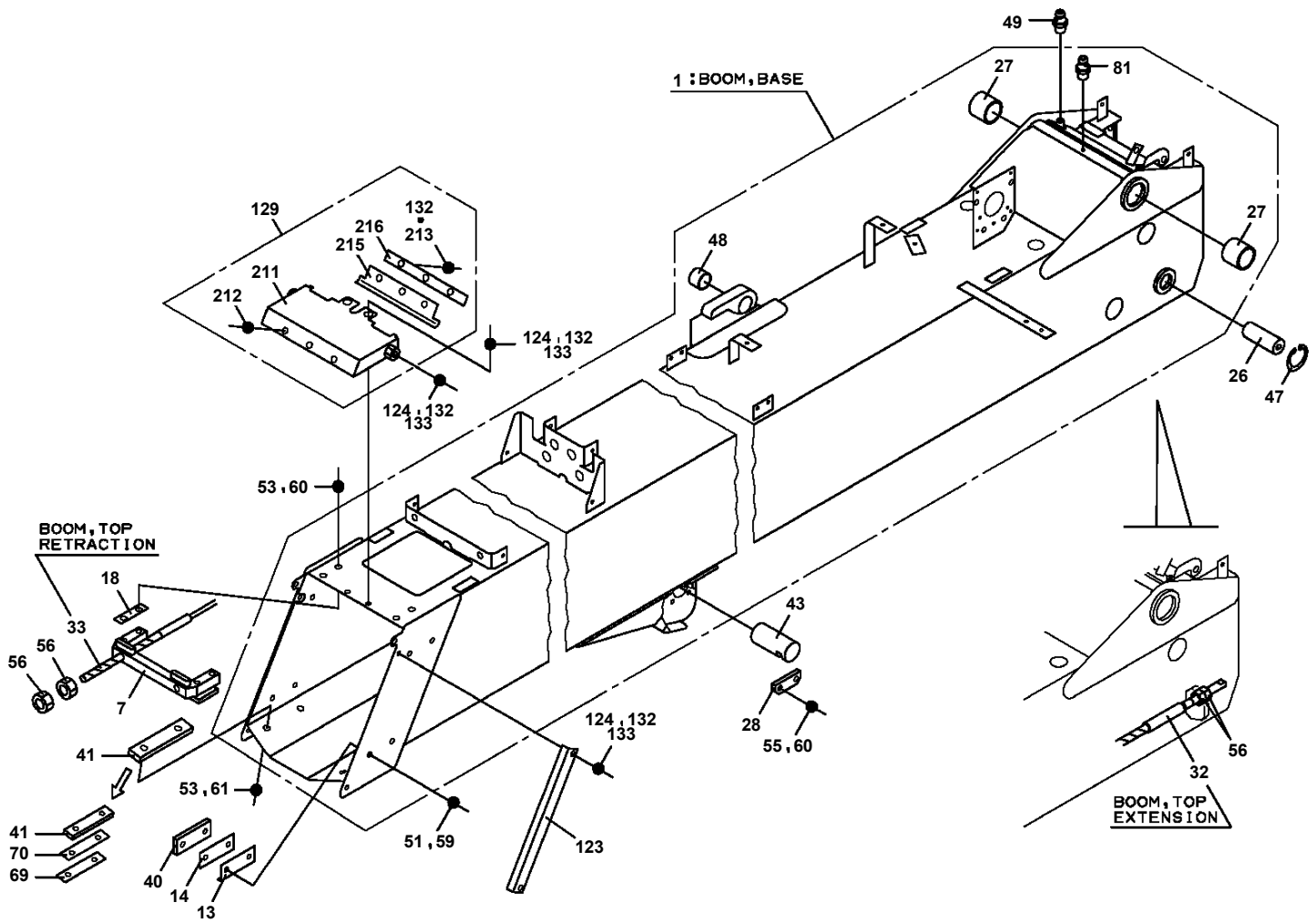
AT-100-5 42063541091 UPPER,LOWER,ISUZU TPG-NKR85AN-EE5AHY
PB1100101-02 PUMP,HYDRAULIC (EMERGENCY)



AT-100-5 42063541091 UPPER,LOWER,ISUZU TPG-NKR85AN-EE5AHY
PB1320319-00 VALVE,MANUAL CONTROL



**AT-100-5 42063541091 UPPER,LOWER,ISUZU TPG-NKR85AN-EE5AHY
PB5190049-03 BOOM ASSY**



AT-100-5 42063541091 UPPER,LOWER,ISUZU TPG-NKR85AN-EE5AHY

Pos No.	Parts No	Parts Name	Qty	Unit	Technical Data	Serial No (Start)	Serial No (End)	Remarks	Pages
1	36035840100	CYLINDER	1						
2	36035740200	ROD	1						
3	36035290300	PISTON	1						
4	91684007501	PACKING	2						
5	91431206201	RING,BACKUP	2						
6	91002903000	O-RING	1		1B G30				
7	91332207500	BEARING,PLAIN	2						
8	90202203000	NUT	1		M30				
9	80612110680	RING,RITAINING	1		AR68				
10	80801006030	BEARING,PLAIN	1						
11	36034979510	COVER,ROD	1						
12	91694006000	PACKING	1						
13	91410206002	RING,BACKUP	1						
14	91002908000	O-RING	1		1B G80				
15	91660006001	SEAL,DUST	1						
16	91002907500	O-RING	1		1B G75				
17	90303073001	WASHER,PLAIN	1		30				
18	90302043001	WASHER,SPRING	1		30				
41	36035299900	PACKING SET	1		60X75				
100	36035840000	CYLINDER,JACK	1						

AT-100-5 42063541091 UPPER,LOWER,ISUZU TPG-NKR85AN-EE5AHY

Pos No.	Parts No	Parts Name	Qty	Unit	Technical Data	Serial No (Start)	Serial No (End)	Remarks
1	42443991001	COVER ASSY	1					
2	42442830010	SUPPORT	1					
3	90303070801	WASHER,PLAIN	9		8			
4	37000506550	PLATE	2		T=1.6			
5	90302040801	WASHER,SPRING	14		8			
6	90101208016	BOLT	12		M8X16			
7	82401800080	PLUG (FOR M8)	10					
8	90172108014	BOLT,HEXAGON SOCKET	2		M8X14			
9	42443990100	SUPPORT	1					
31	42443991100	COVER	1					
33	82464107813	HINGE	2					
34	82400000393	INSULATOR	1					
35	80172804016	SCREW,MACHINE	1		M4X16			
38	80172804010	SCREW,MACHINE	12		M4X10			
39	90302510401	WASHER,SPRING	13		4			
40	90201500400	NUT	13		M4			
46	42268773010	PLATE	4					
52	42443711201	COVER	1					

AT-100-5 42063541091 UPPER,LOWER,ISUZU TPG-NKR85AN-EE5AHY

Pos No.	Parts No	Parts Name	Qty	Unit	Technical Data	Serial No (Start)	Serial No (End)
1	36028371000	CYLINDER	1				
2	36026159530	COVER,ROD	1				
3	80612110400	RING,RITAINING	1		AR40		
4	91002907000	O-RING	1		1B G70		
5	80801003525	BEARING,PLAIN	1				
6	91694003500	PACKING	1				
7	91410203501	RING,BACKUP	1				
8	91660003501	SEAL,DUST	1				
9	91002907500	O-RING	1		1B G75		
10	90302042401	WASHER,SPRING	1		24		
11	90209402400	NUT	1		M24		
12	36028370010	PISTON	1				
13	91002802000	O-RING	1		1B P20		
14	36028379510	ROD ASSY	1				
15	90303072401	WASHER,PLAIN	1		24		
16	82455106000	NIPPLE,GREASE	1		A-M6F FE		
17	91350207500	BEARING,PLAIN (WITH PACKINGX2)	1				
18	80541700030	BEARING,SPHERICAL (NTN)	1		SA4-30B		
50	36026489900	PACKING SET	1		35X75		
100	36028370000	CYLINDER ASSY,LEVELING (LOWER)	1				

AT-100-5 42063541091 UPPER,LOWER,ISUZU TPG-NKR85AN-EE5AHY

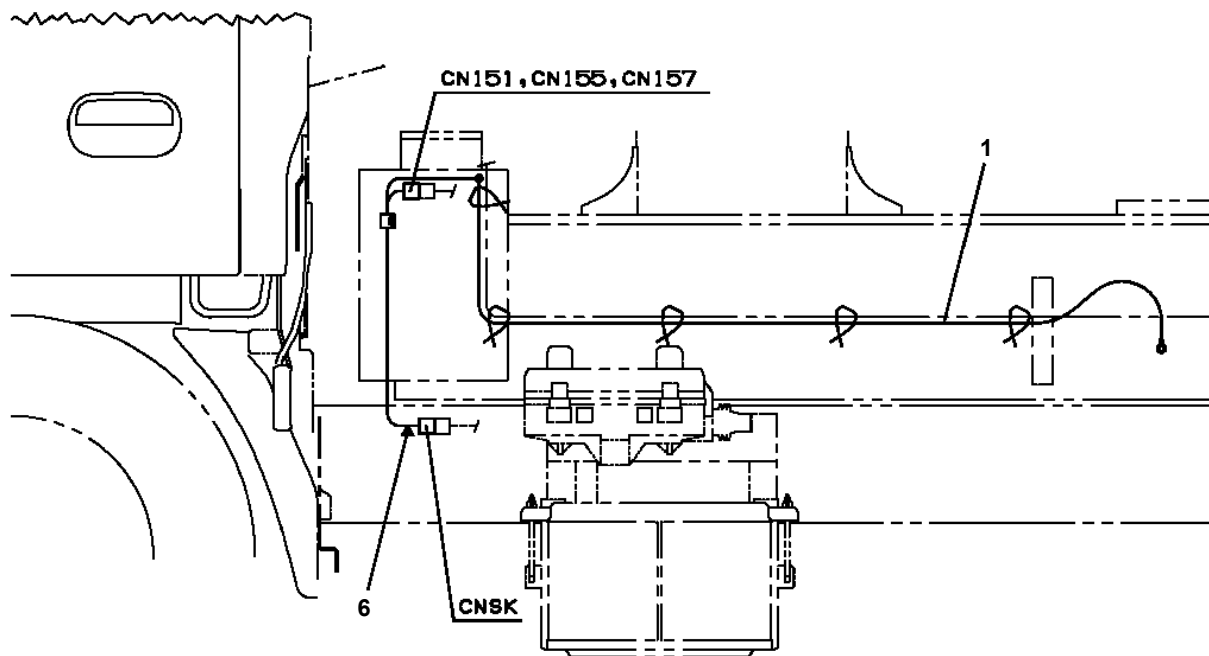
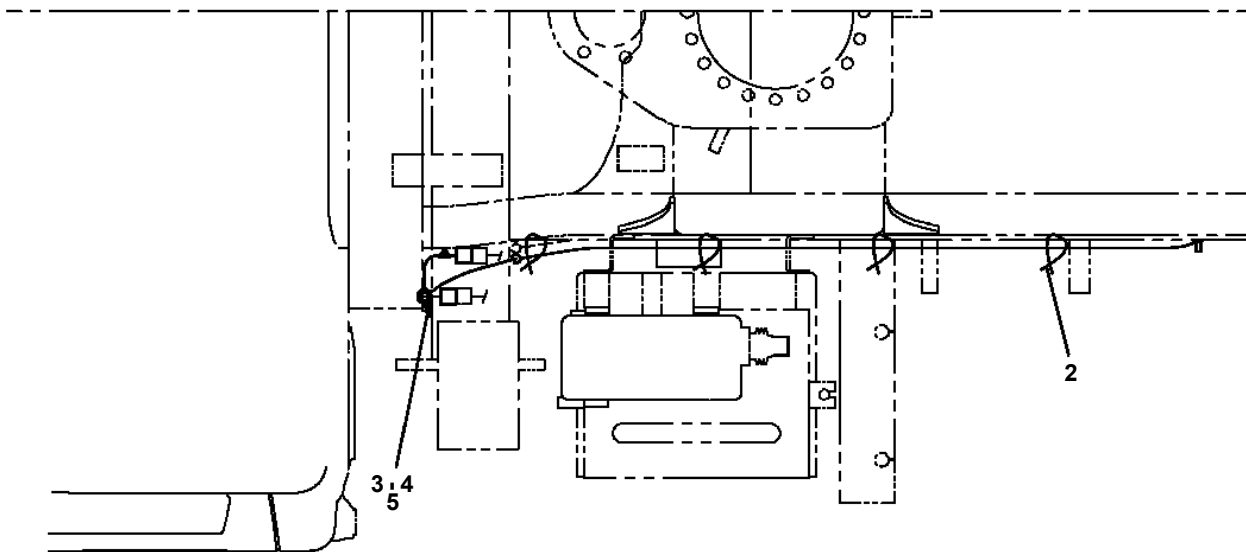
Pos No.	Parts No	Parts Name	Qty	Unit	Technical Data	Serial No (Start)	Serial No (End)	R
1	36028430000	CYLINDER ASSY,DERRICK	1					
2	36606450000	VALVE ASSY,COUNTERBALANCE	1					
3	90302040801	WASHER,SPRING	4		8			
4	90171108060	BOLT	4		M8X70			

AT-100-5 42063541091 UPPER,LOWER,ISUZU TPG-NKR85AN-EE5AHY

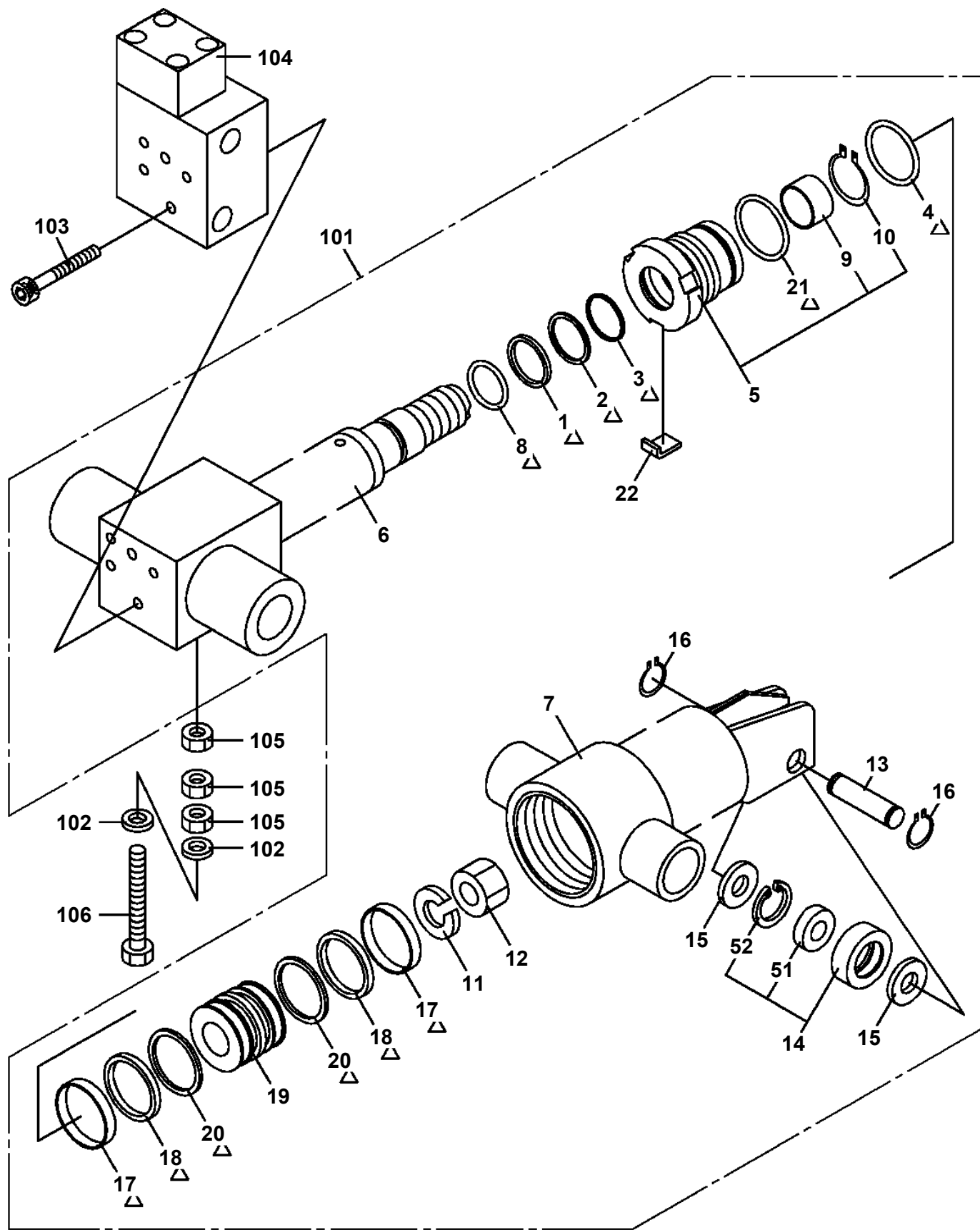
Pos No.	Parts No	Parts Name	Qty	Unit	Technical Data	Serial No (Start)	Serial No (End)
1	42809631200	LAMP ASSY (RED,WITH HARNESS)	1				
2	42652120300	BUZZER ASSY	1				
3	80172304016	SCREW,MACHINE	2		M4X16		
4	90302040401	WASHER,SPRING	2		4		
5	90201200400	NUT	2		M4		
6	90303070401	WASHER,PLAIN	4		4		
7	42509520100	PLATE,NAME (EXHAUST GAS ALARM)	1				
8	42971491100	HARNESS	1				
9	42971431200	PLATE,CAUTION	1				
10	42971431400	SWITCH ASSY (WITH HARNESS)	1				
11	91810130240	FASTENER	5				
12	42971491400	PLATE,NAME	1				

AT-100-5 42063541091 UPPER,LOWER,ISUZU TPG-NKR85AN-EE5AHY
PE5070082-00 ELEC.ASSY,CARRIER

FRONT ←



**AT-100-5 42063541091 UPPER,LOWER,ISUZU TPG-NKR85AN-EE5AHY
PG1050634-00 CYLINDER,TELESCOPING**



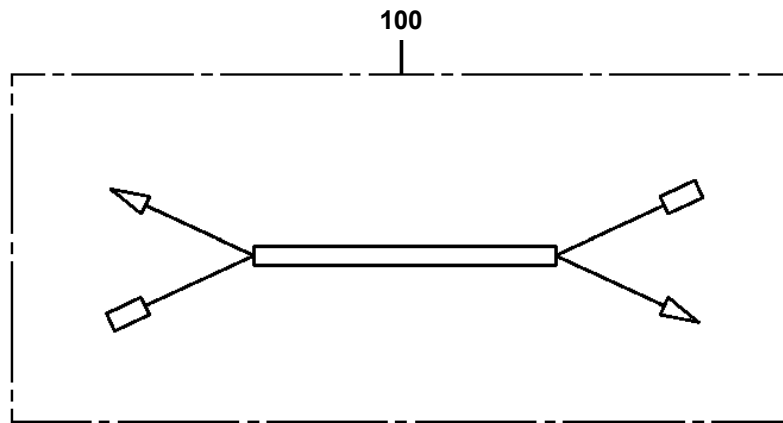
△:PACKING SET KEY NO.41 (KEY NO.1,2,3,4,8,17,18,20,21)

**AT-100-5 42063541091 UPPER,LOWER,ISUZU TPG-NKR85AN-EE5AHY
PH1000633-00 SAFETY DEVICES (AUTOMATIC MOTION CONTROLLER)**

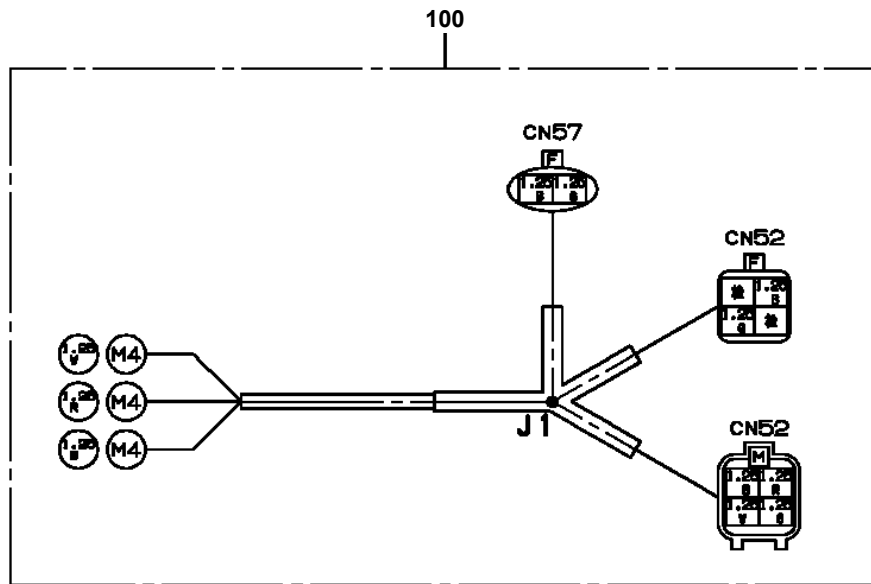
アンゼン ソウチ
SAFETY DEVICES

【組立名称一覧】より選択してください。
SEE THE CORRESPONDING "ASSEMBLY NAME" LIST.

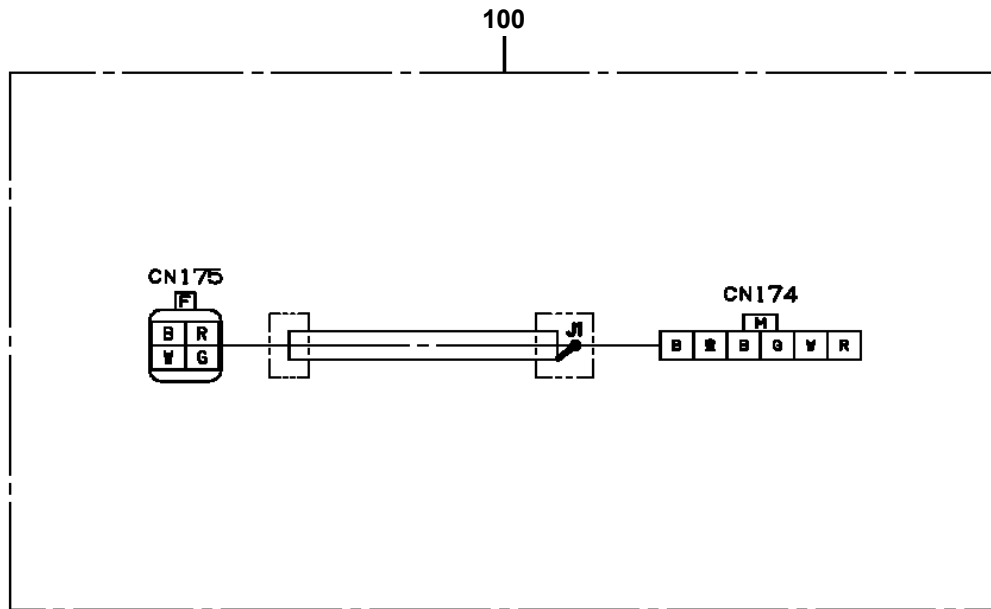
**AT-100-5 42063541091 UPPER,LOWER,ISUZU TPG-NKR85AN-EE5AHY
PH5030979-00 HARNESS**



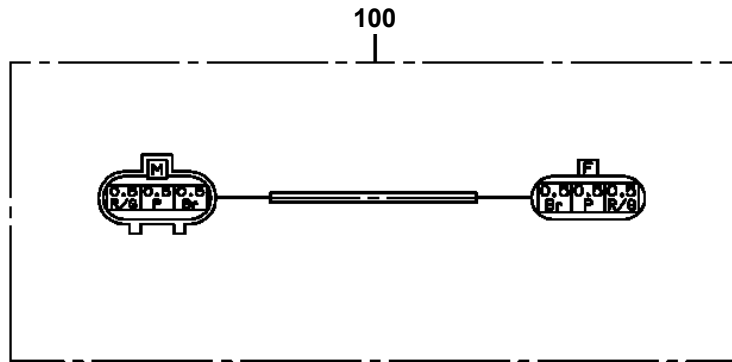
AT-100-5 42063541091 UPPER,LOWER,ISUZU TPG-NKR85AN-EE5AHY
PH5032117-00 HARNESS



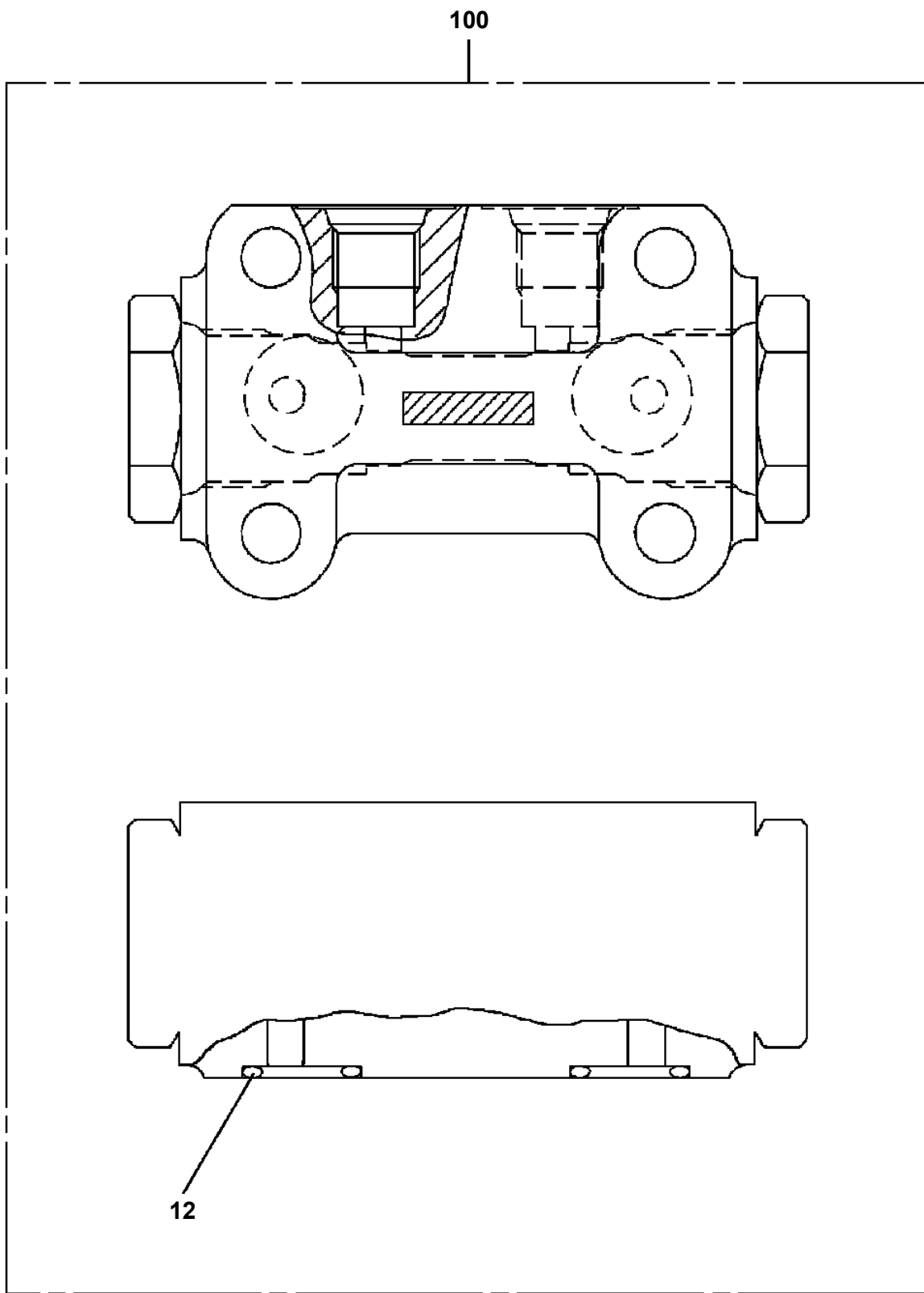
AT-100-5 42063541091 UPPER,LOWER,ISUZU TPG-NKR85AN-EE5AHY
PH5033322-00 HARNESS



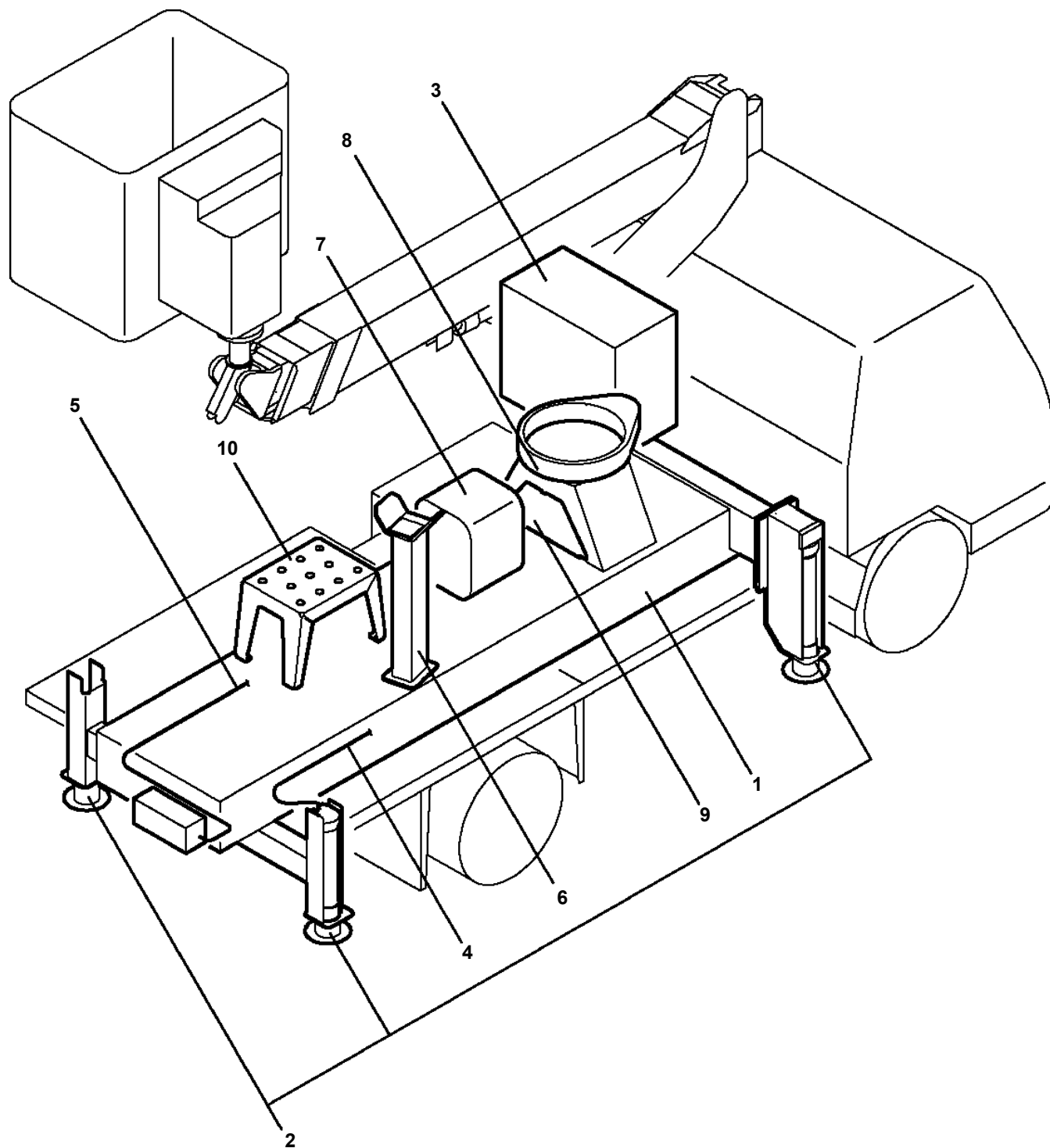
AT-100-5 42063541091 UPPER,LOWER,ISUZU TPG-NKR85AN-EE5AHY
PH5034174-00 HARNESS



AT-100-5 42063541091 UPPER,LOWER,ISUZU TPG-NKR85AN-EE5AHY
PI1140227-00 VALVE,CHECK



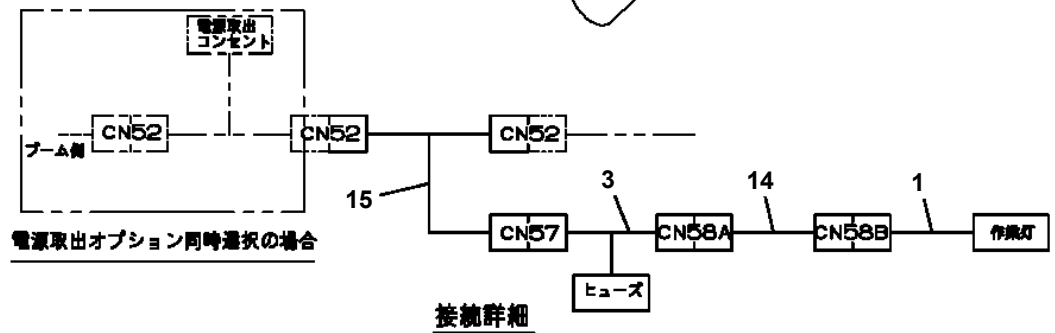
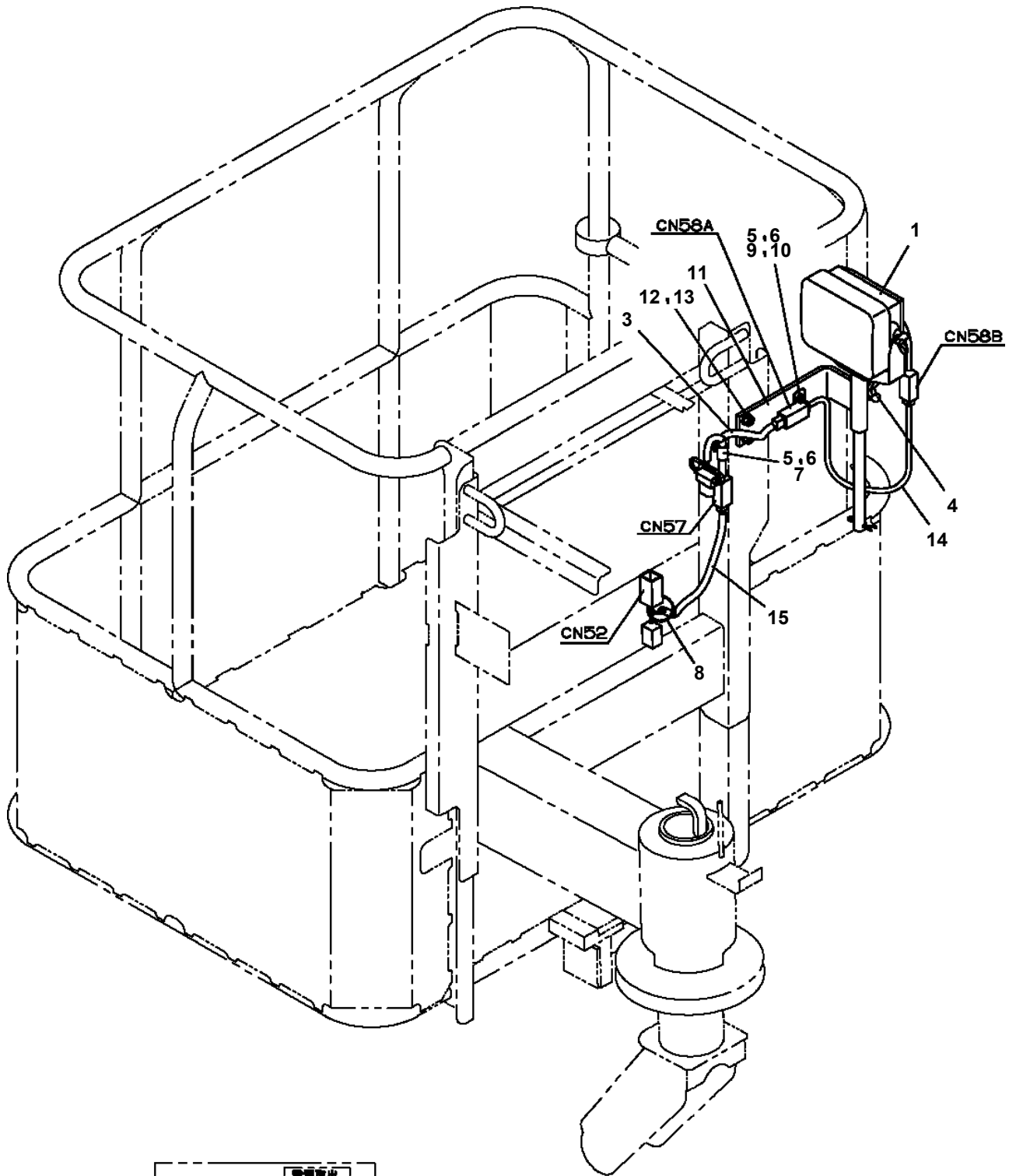
**AT-100-5 42063541091 UPPER,LOWER,ISUZU TPG-NKR85AN-EE5AHY
PK2001784-01 FRAME UNIT**



適用製造番号によっては取り付けがないものもあります。

MACHINES OF SOME SERIAL NO. ARE NOT EQUIPPED WITH THESE PARTS.

AT-100-5 42063541091 UPPER,LOWER,ISUZU TPG-NKR85AN-EE5AHY
 PL5140024-01 LAMP ASSY,WORKING



CLICK HERE TO **DOWNLOAD** THE COMPLETE MANUAL

- Thank you very much for reading the preview of the manual.
- You can download the complete manual from: www.heydownloads.com by clicking the link below



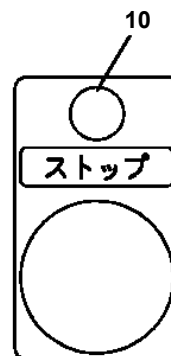
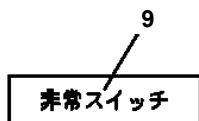
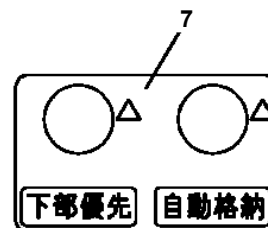
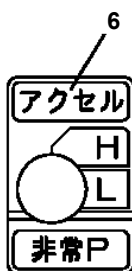
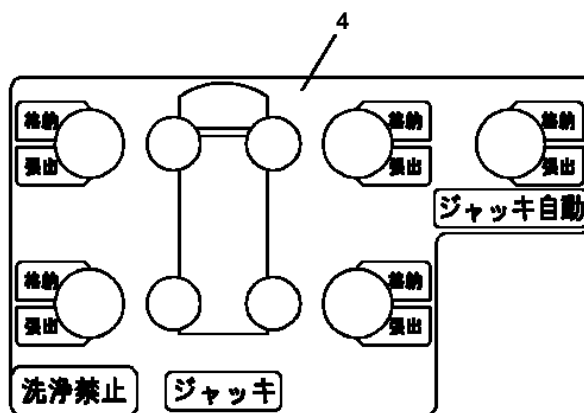
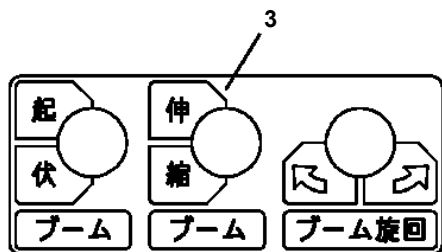
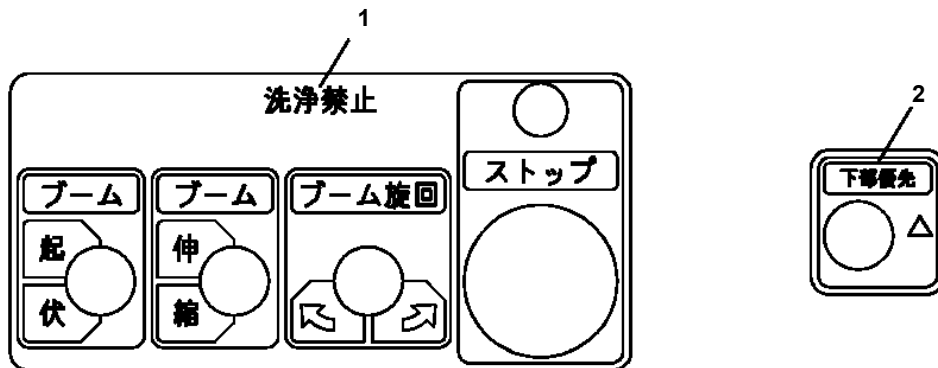
- Please note: If there is no response to CLICKING the link, please download this PDF first and then click on it.

CLICK HERE TO **DOWNLOAD** THE COMPLETE MANUAL

AT-100-5 42063541091 UPPER,LOWER,ISUZU TPG-NKR85AN-EE5AHY

Pos No.	Parts No	Parts Name	Qty	Unit	Technical Data	Serial No (Start)	Serial No
1	82105221286	SWITCH,TOGGLE	3				
30	42354541400	SWITCH ASSY (WITH HARNESS,3 SWITCH)	1				

AT-100-5 42063541091 UPPER,LOWER,ISUZU TPG-NKR85AN-EE5AHY
 PN5010701-00 NAME PLATE ASSY (OPERATION)



AT-100-5 42063541091 UPPER,LOWER,ISUZU TPG-NKR85AN-EE5AHY

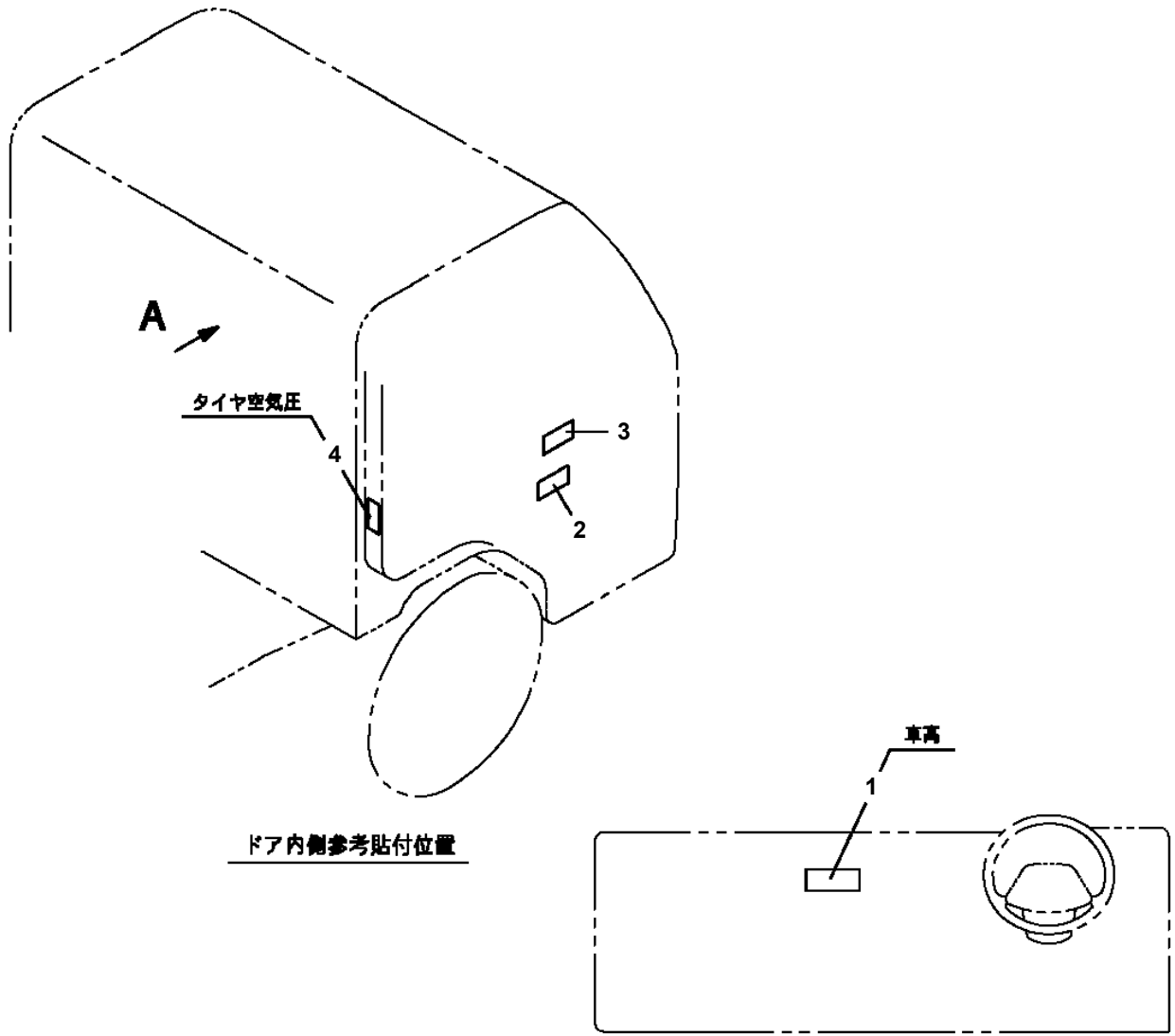
Pos No.	Parts No	Parts Name	Qty	Unit	Technical Data	Serial No (Start)	Se
1	42393740010	PLATE,NAME (AT-100TG)	1				
2	37002202030	PLATE,NAME	1				
3	42394551010	PLATE,CAUTION	1				
	42591845010	PLATE,CAUTION	1			HK2664	HK
4	42398131060	PLATE,CAUTION (CHECK BEFORE WORK START)	1				
5	42397982020	PLATE,NAME (EMERGENCY PUMP OPERATION)	1				
6	42397981010	PLATE,CAUTION (ENGINE START OPERATION)	1				
7	42397401050	PLATE,NAME (EMERGENCY STOP OPERATION)	1				
8	42590591020	PLATE,NAME (VEHICLE BATTERY MONITOR)	1				

**AT-100-5 42063541091 UPPER,LOWER,ISUZU TPG-NKR85AN-EE5AHY
PO1000183-00 INDICATION PLATES (LOWER)**

メイパ ン (カブ)
INDICATION PLATES (LOWER)

【組立名称一覧】より選択してください。
SEE THE CORRESPONDING "ASSEMBLY NAME" LIST.

AT-100-5 42063541091 UPPER,LOWER,ISUZU TPG-NKR85AN-EE5AHY
 PO1014959-02 PLATE ASSY,NAME (VEHICLE HEIGHT)



1
 車高 2.8^m

2
警告
 ○作業時にはパーキングブレーキを引いてください。
 ○作業時にはシフトレバーを下配にしてください。
 ・マニュアル車は「N」中立
 ・オートマチック車は「P」パーキング
 ○作業終了時にはPTOを切ってください。

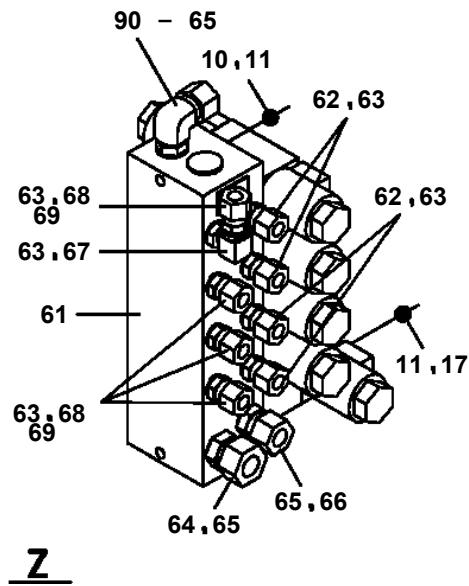
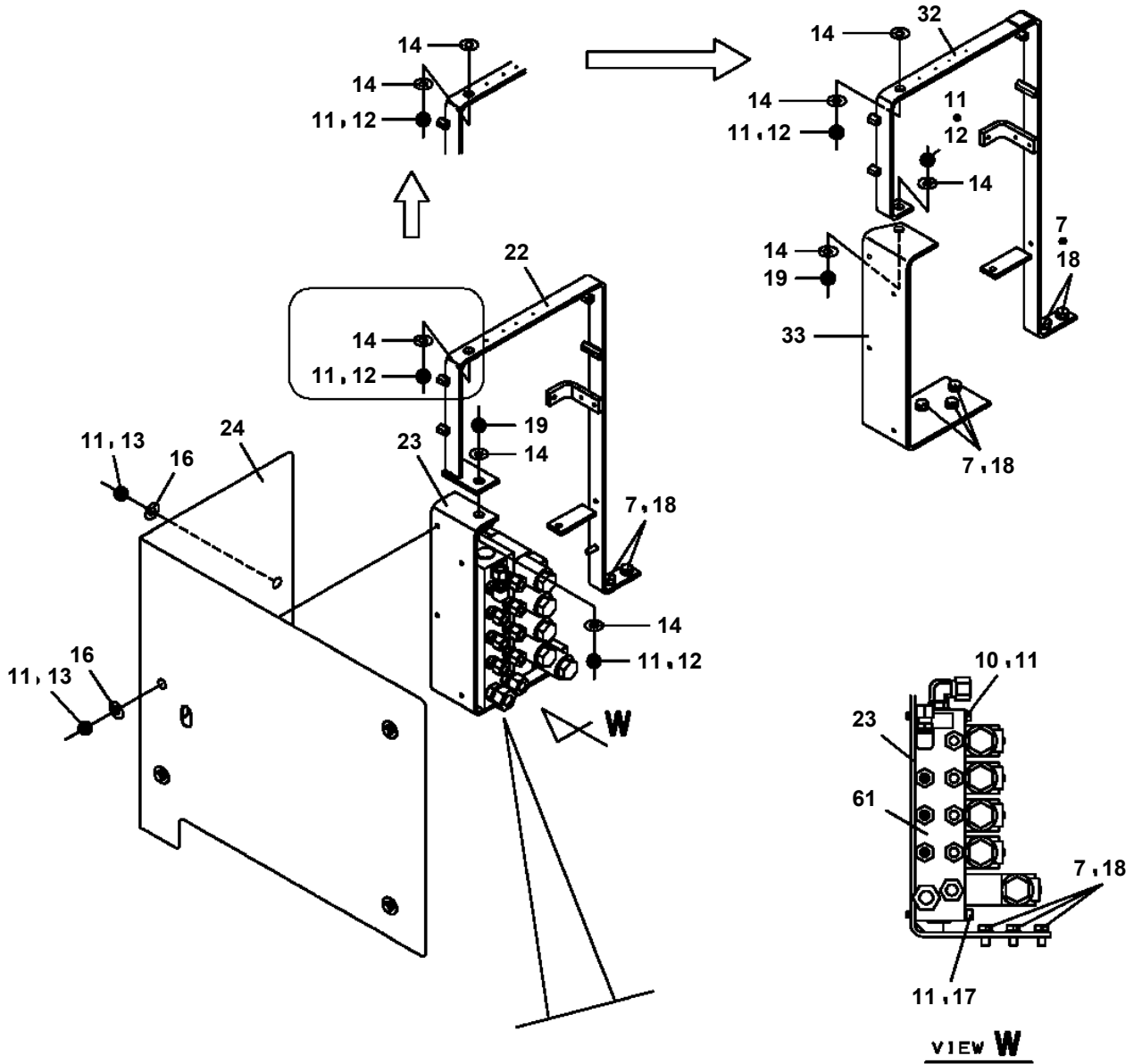
3
注意
 ○パーキングブレーキを引かないでPTOを入れるとブザーが鳴ります。
 ○シフトレバーをマニュアル車は中立（オートマチック車はP）にしないでPTOを入れるとブザーが鳴ります。

4
 タイヤ空気圧 kPa (kgf/cm²)

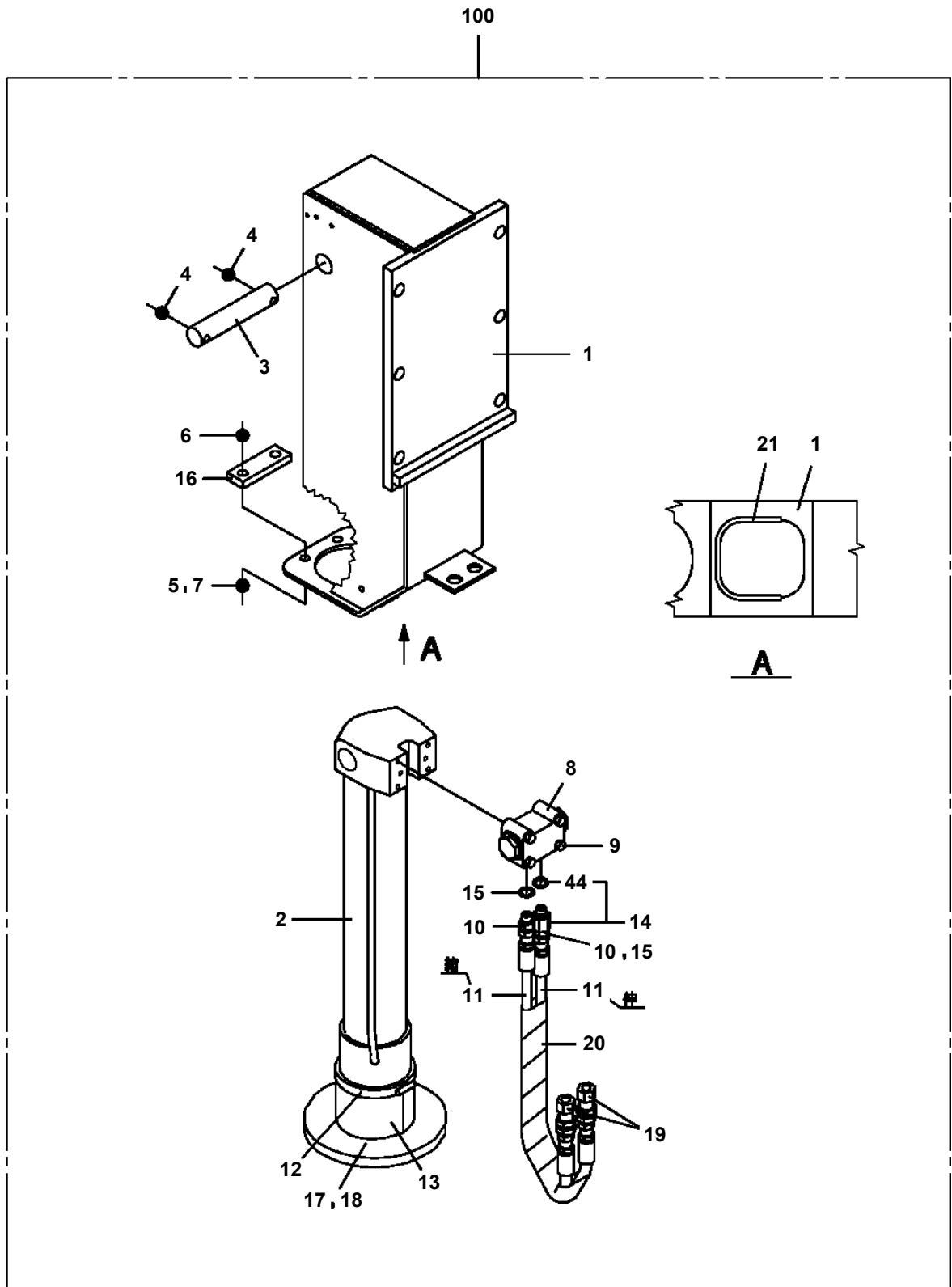
タイヤサイズ	前輪	後輪
195/85R16	600	600
114/112L	(6.00)	(6.00)
205/80R17.5	600	600
120/118L	(6.00)	(6.00)
205/85R16	600	600
117/115L	(6.00)	(6.00)
215/70R17.5	775	775
123/121J	(7.75)	(7.75)
215/85R16	600	600
120/118L	(6.00)	(6.00)
225/75R16	600	600
118/116L	(6.00)	(6.00)
225/85R16	600	600
121/119L	(6.00)	(6.00)
225/80R17.5	700	700
123/122L (14PRL)	(7.00)	(7.00)
7.00-16-12PRL	675	675
	(6.75)	(6.75)
7.50-16-10PRL	625	625
	(6.25)	(6.25)
7.50-16-12PRL	600	600
	(6.00)	(6.00)
7.50-16-14PRL	650	650
	(6.50)	(6.50)
7.50R16-12PRL	650	650
	(6.50)	(6.50)
7.50R16-14PRL	700	700
	(7.00)	(7.00)

○上記の空気圧を基準してください。
 370-022-84480

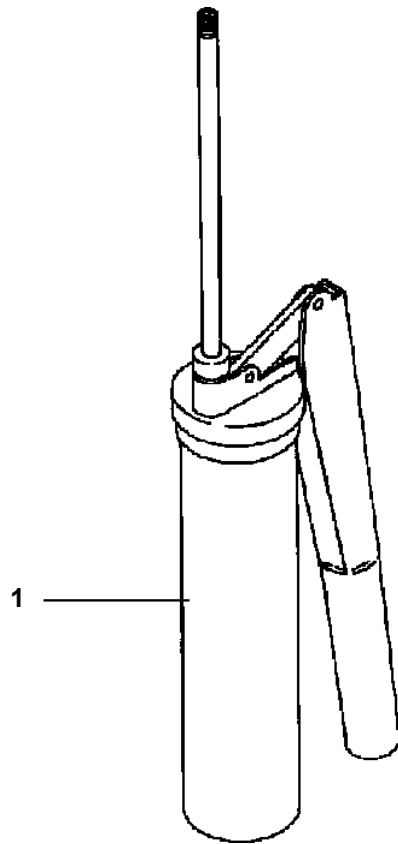
**AT-100-5 42063541091 UPPER,LOWER,ISUZU TPG-NKR85AN-EE5AHY
PO5080088-02 OPE.ASSY,CONT.VALVE**



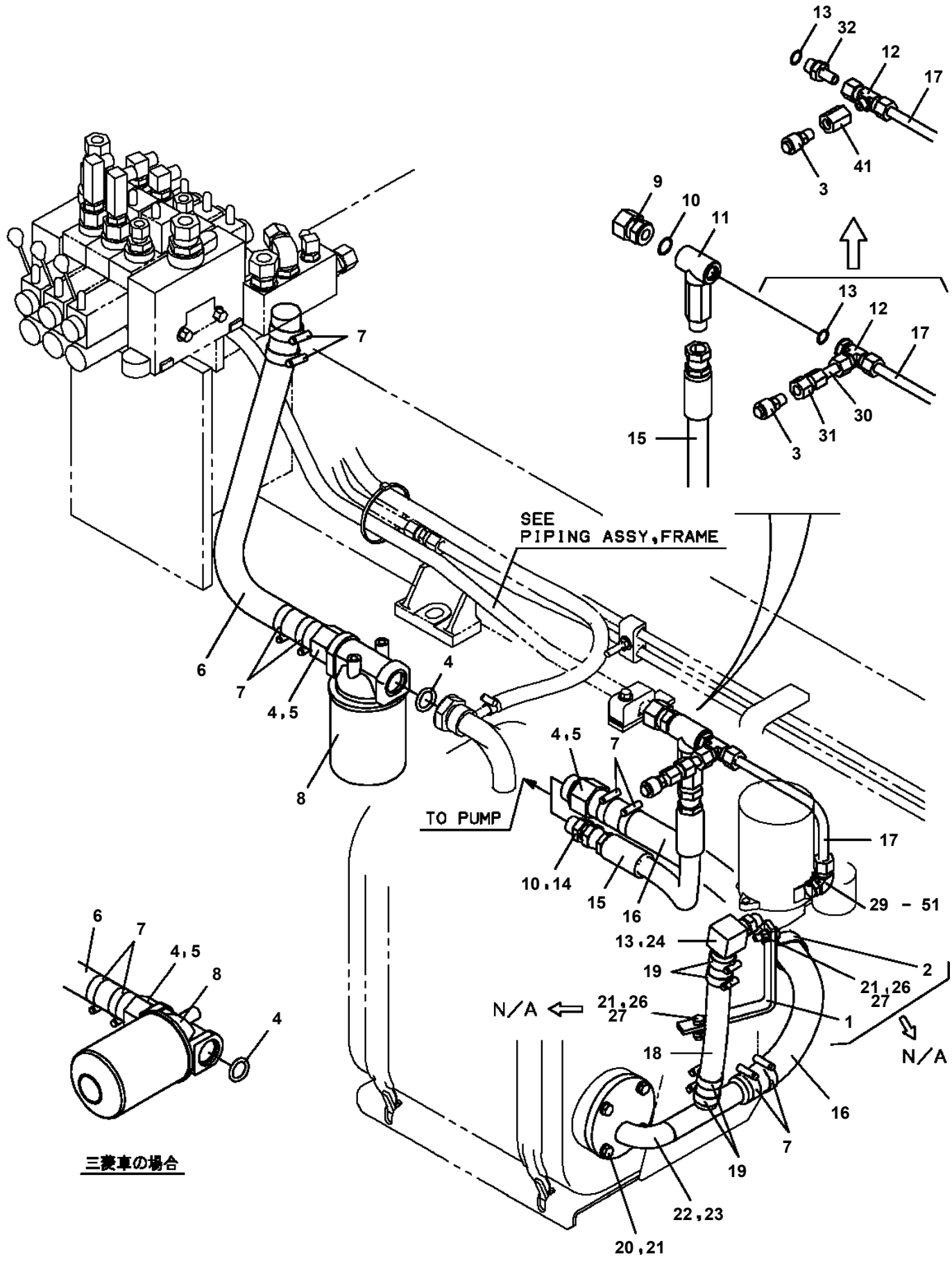
AT-100-5 42063541091 UPPER,LOWER,ISUZU TPG-NKR85AN-EE5AHY
PO5270220-00 OUTRIGGER ASSY



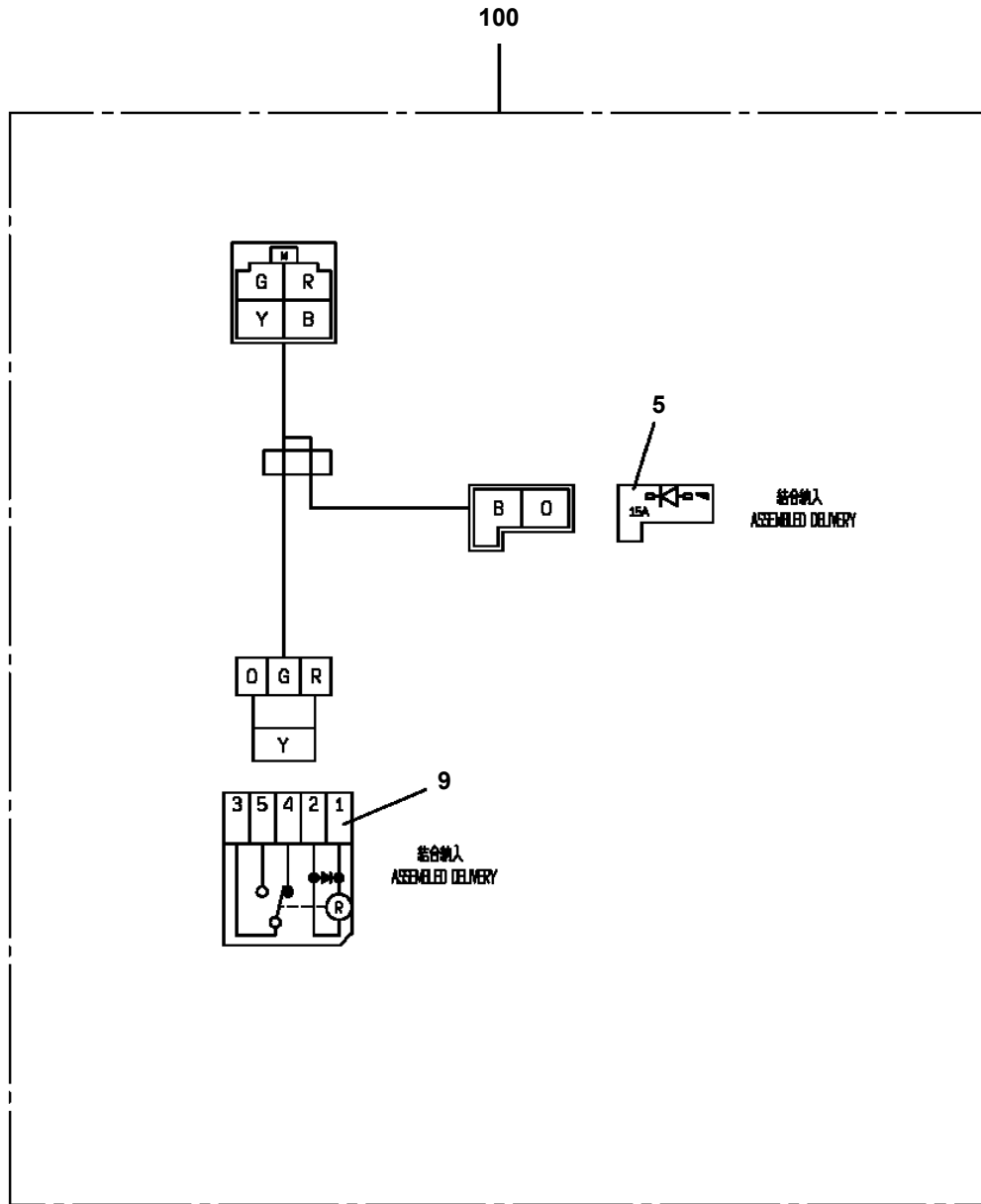
AT-100-5 42063541091 UPPER,LOWER,ISUZU TPG-NKR85AN-EE5AHY
PP5450004-00 PUMP, GREASE (400CC)



**AT-100-5 42063541091 UPPER,LOWER,ISUZU TPG-NKR85AN-EE5AHY
PP6210016-03 PIPING ASSY,MOUNTING**

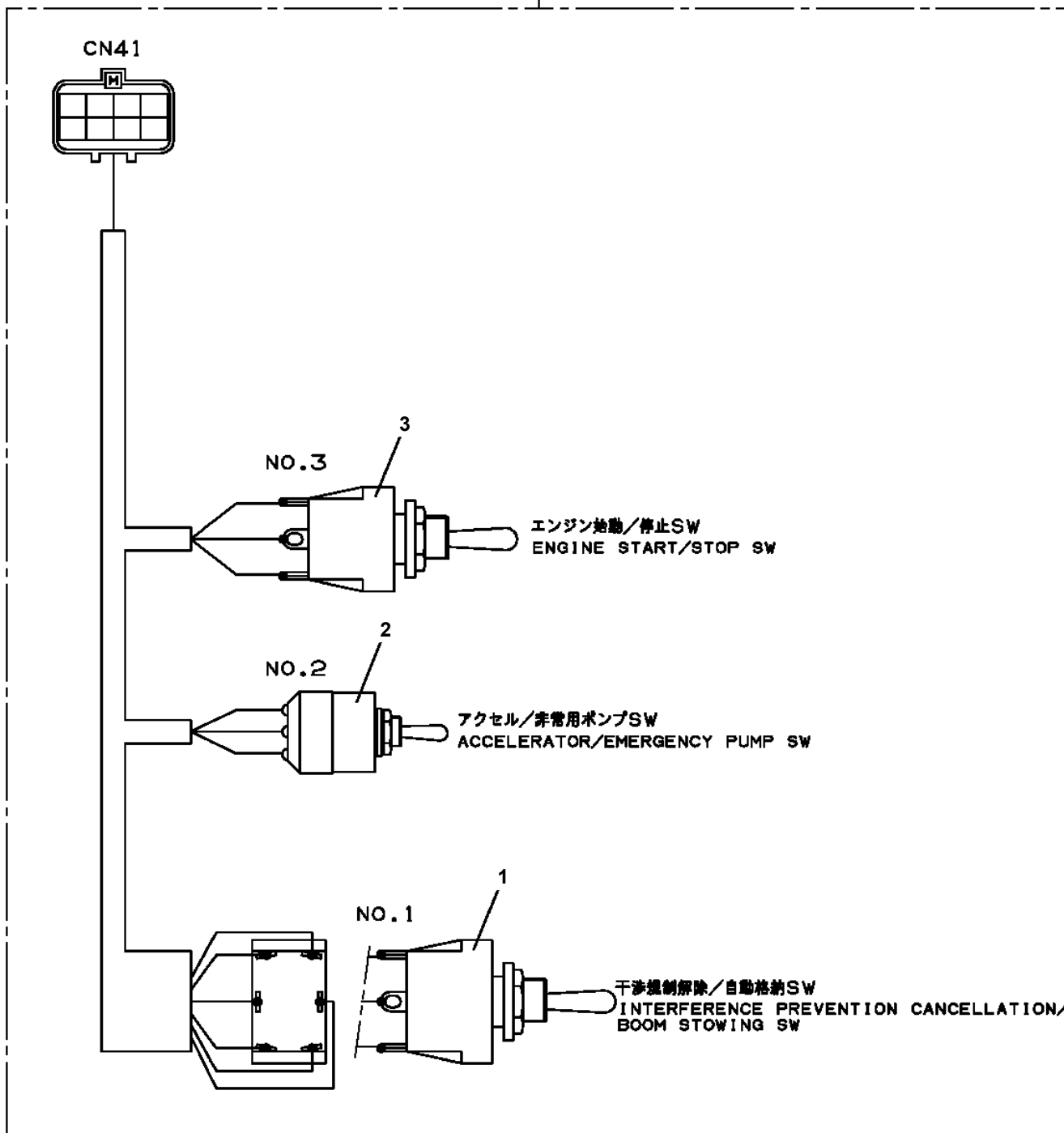


AT-100-5 42063541091 UPPER,LOWER,ISUZU TPG-NKR85AN-EE5AHY
PR5210002-00 RELAY

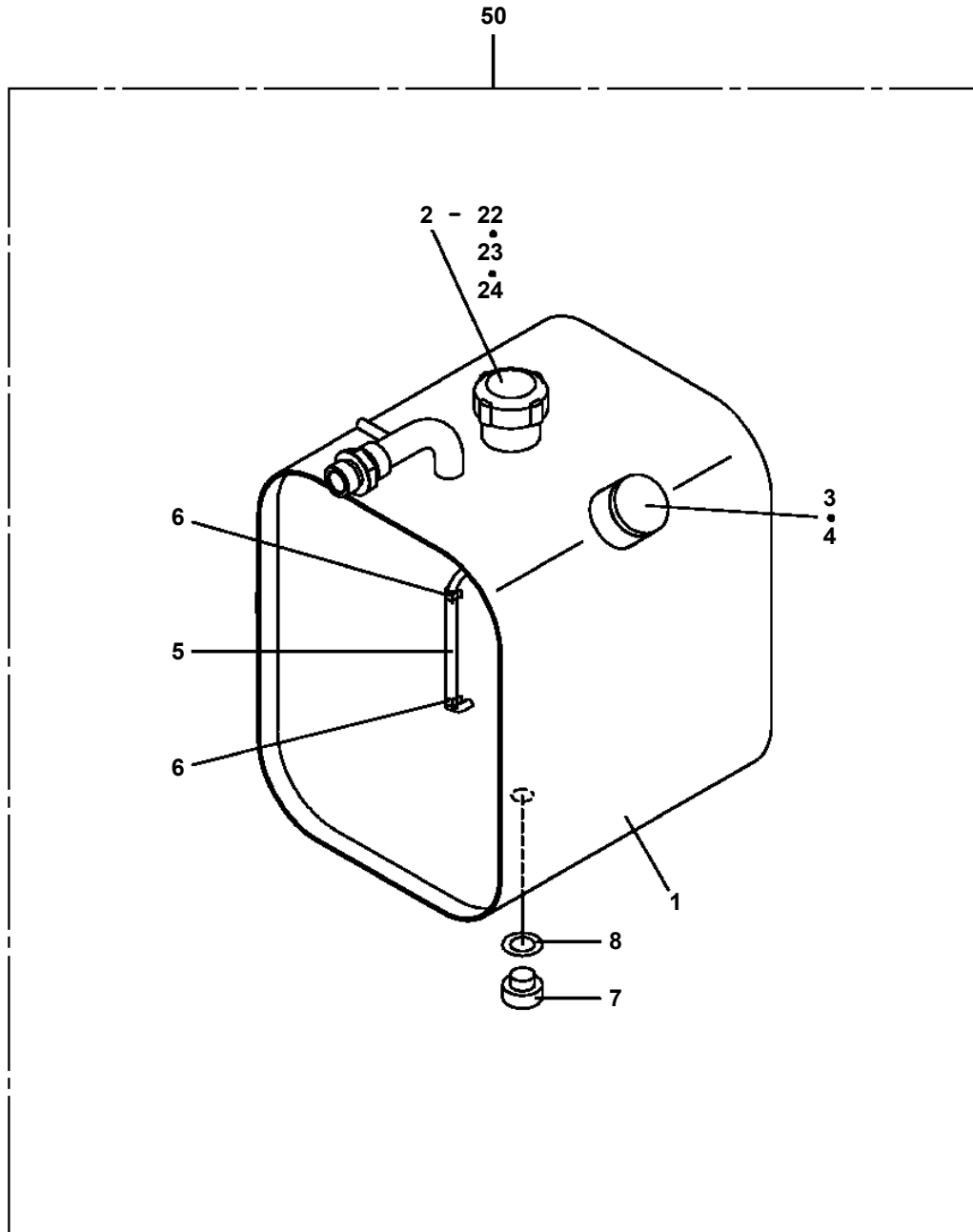


AT-100-5 42063541091 UPPER,LOWER,ISUZU TPG-NKR85AN-EE5AHY
PS5530090-01 SWITCH ASSY (WITH HARNESS,3 SW)

50

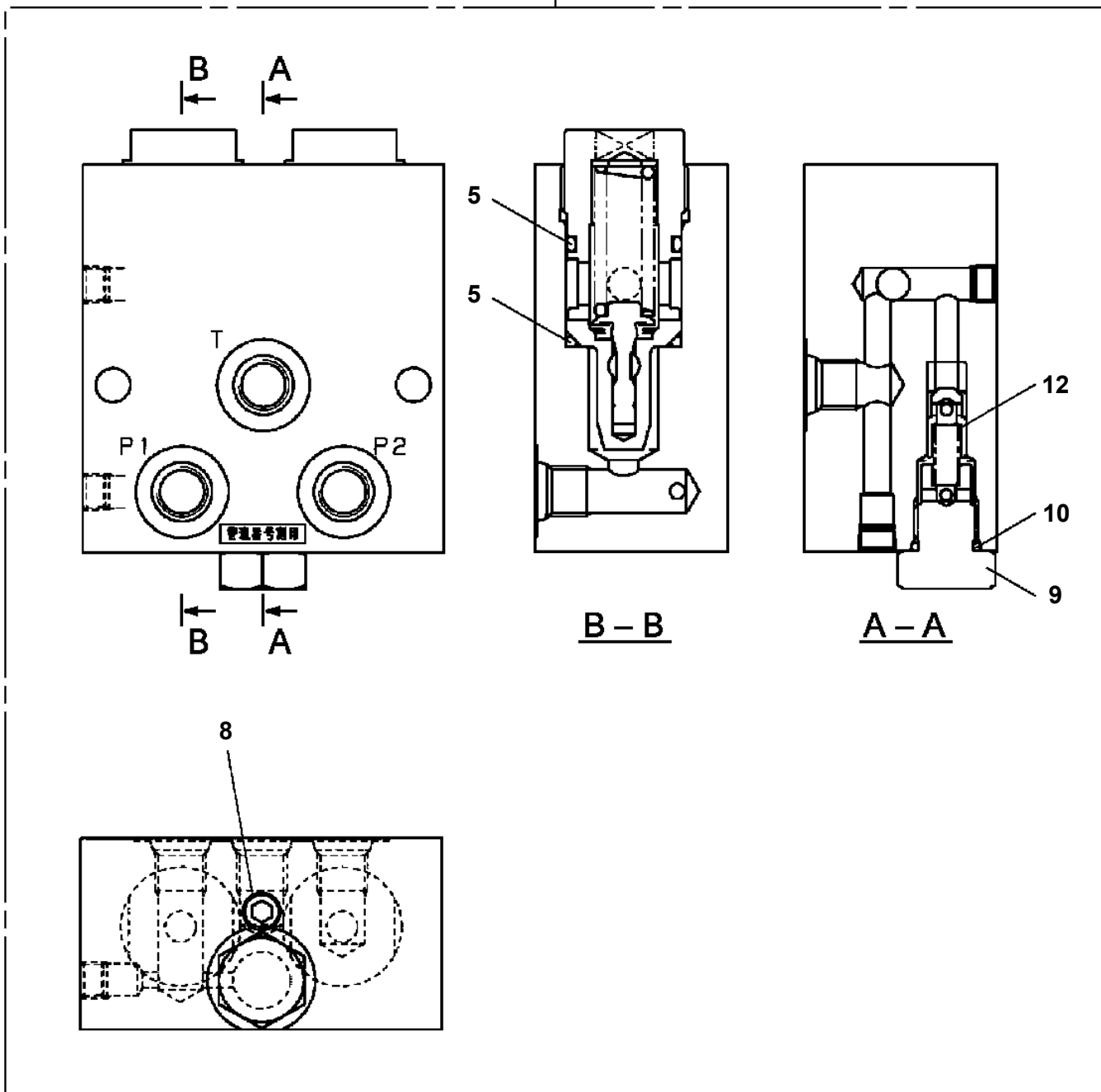


AT-100-5 42063541091 UPPER,LOWER,ISUZU TPG-NKR85AN-EE5AHY
PT5090008-00 TANK ASSY,OIL



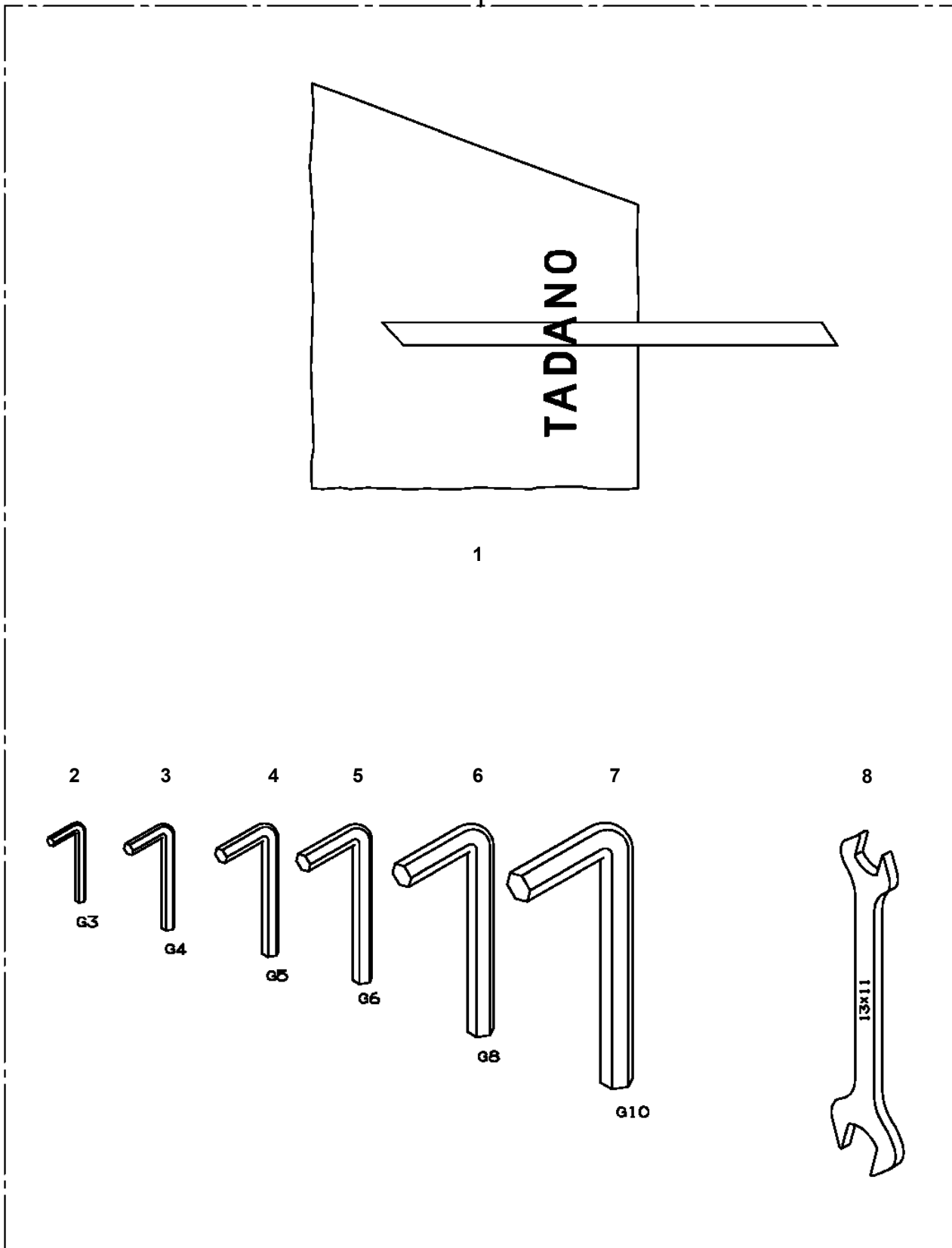
AT-100-5 42063541091 UPPER,LOWER,ISUZU TPG-NKR85AN-EE5AHY
PV5140017-00 VALVE ASSY,RELIEF

100

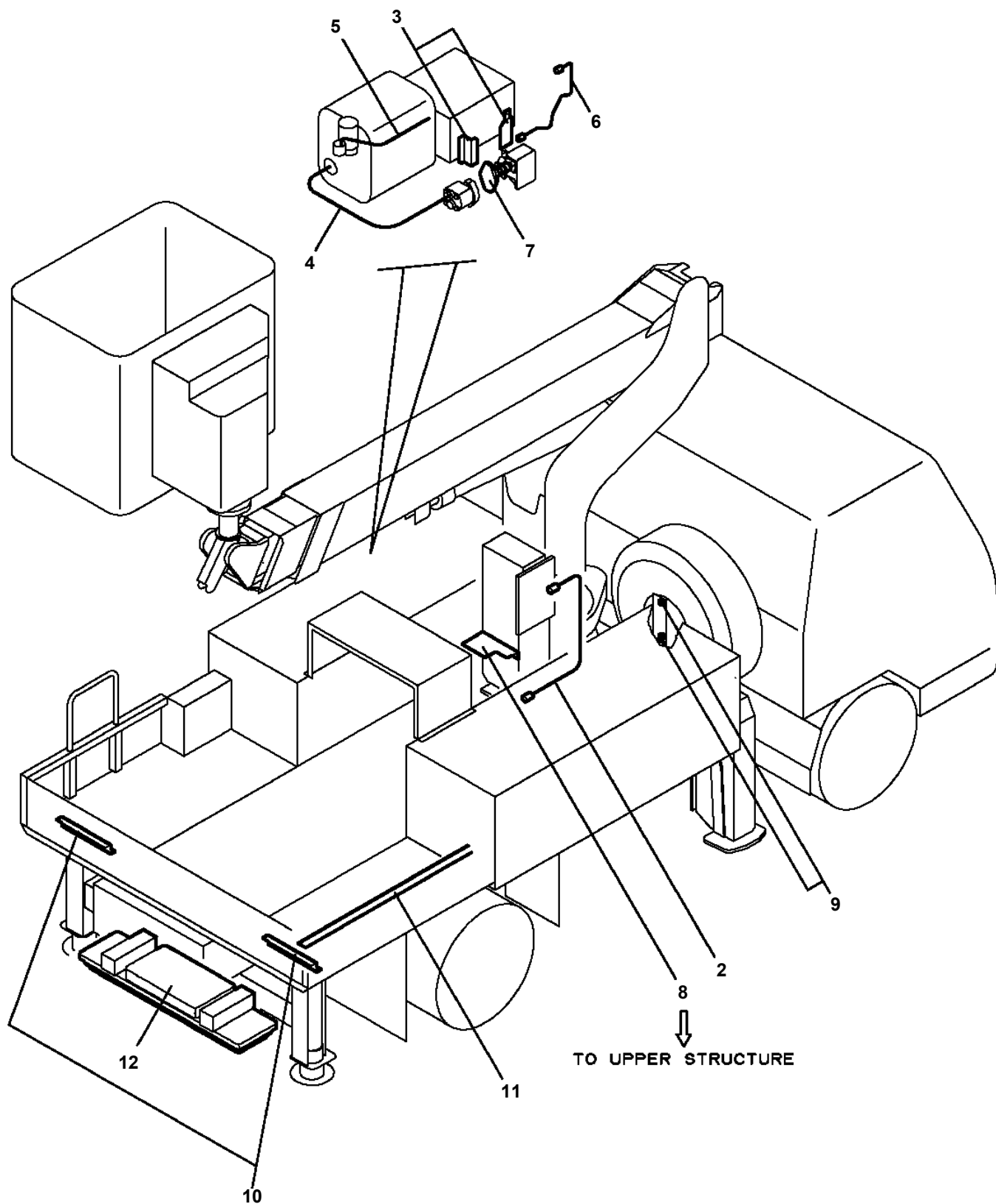


AT-100-5 42063541091 UPPER,LOWER,ISUZU TPG-NKR85AN-EE5AHY
PW1030049-01 TOOLS

50



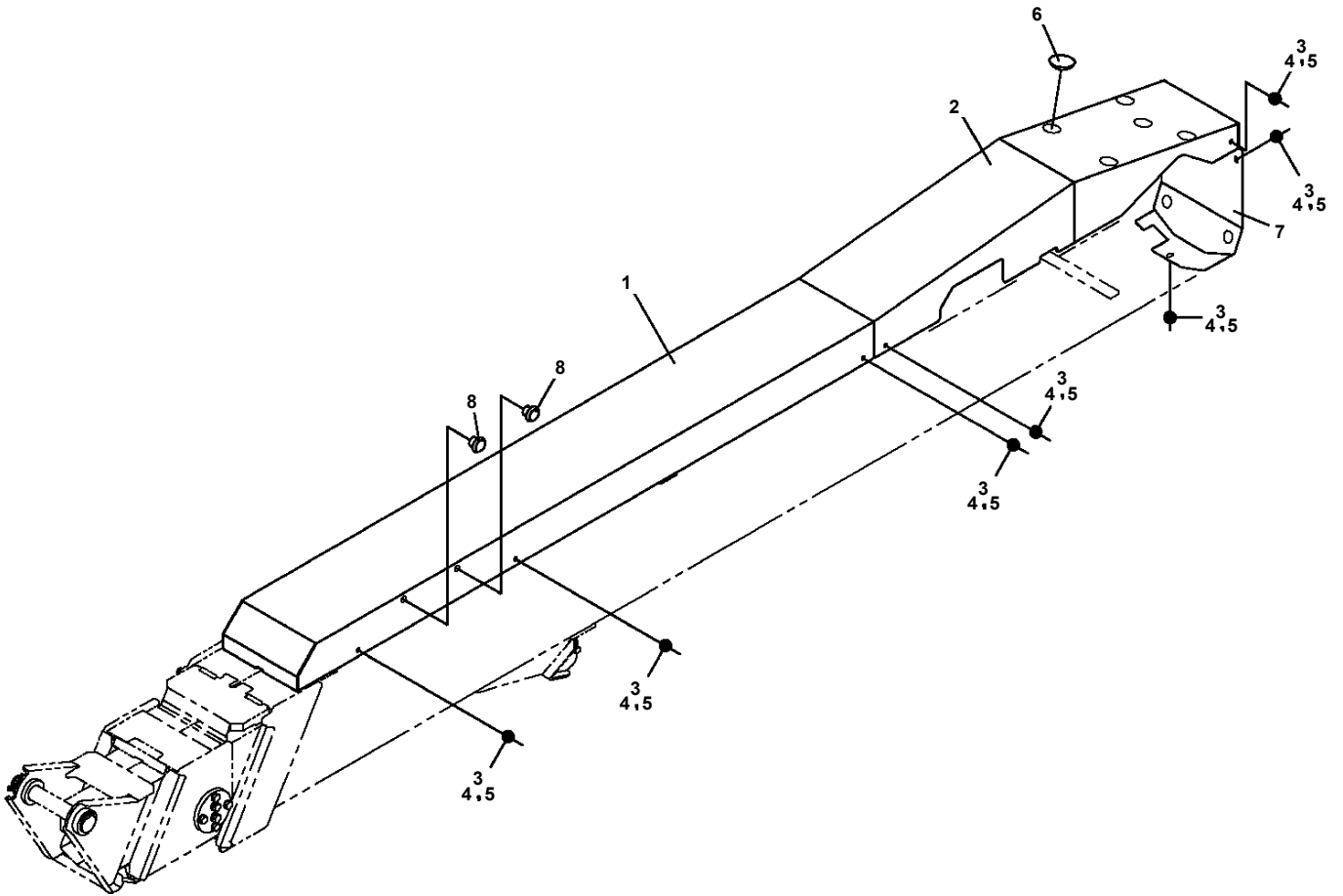
**AT-100-5 42063541091 UPPER,LOWER,ISUZU TPG-NKR85AN-EE5AHY
PX2001452-01 CARRIER UNIT**



適用製造番号によっては取り付けがないものもあります。

MACHINES OF SOME SERIAL NO. ARE NOT EQUIPPED WITH THESE PARTS.

AT-100-5 42063541091 UPPER,LOWER,ISUZU TPG-NKR85AN-EE5AHY
PX5260021-00 MOUNT ASSY,COVER



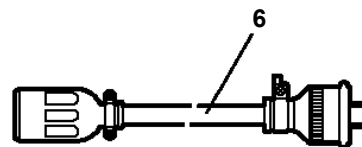
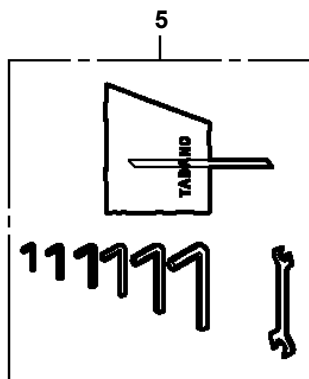
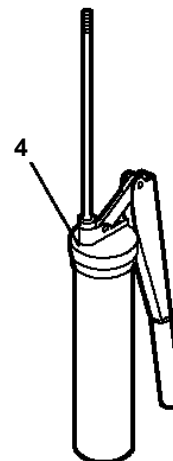
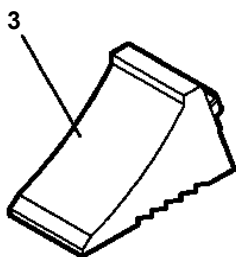
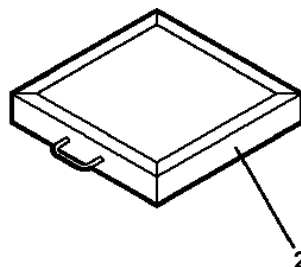
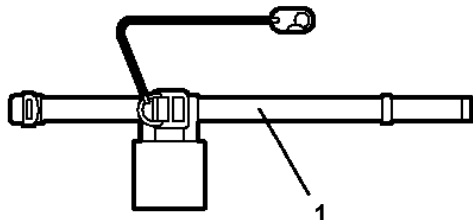
AT-100-5 42063541091 UPPER,LOWER,ISUZU TPG-NKR85AN-EE5AHY

Pos No.	Parts No	Parts Name	Qty	Unit	Technical Data	Serial No (Start)	Serial No (End)	Remarks	Pages
1	42865760200	SPACER	2						
2	42865600101	SUPPORT	1						
3	90171116070	BOLT	6		M16X70				
4	90270401600	NUT	6		16				
5	90303501601	WASHER,PLAIN	12		16				
6	42865760101	SUPPORT	1						
7	42864680200	SUPPORT	2						
8	42865250302	SUPPORT	2						
9	42864690010	PLATE	N		T=0.5				
10	42865820020	SUPPORT	6		T=1.0				
12	37002701590	CABLE ASSY	1		30B,L=280				
13	90201200800	NUT	1		M8				
14	90302040801	WASHER,SPRING	1		8				
15	90101208016	BOLT	1		M8X16				
16	37000535420	PLATE	2						
17	37000577800	PLATE	2						
	37000526060	PLATE	2			HK1913	HK1912		

AT-100-5 42063541091 UPPER,LOWER,ISUZU TPG-NKR85AN-EE5AHY

Pos No.	Parts No	Parts Name	Qty	Unit	Technical Data	Serial No (Start)	Serial No (End)	Remarks	Pages
1	42882541000	SUPPORT	1						
2	36103060000	TANK ASSY,OIL	1						000147
3	90302041201	WASHER,SPRING	6		12				
4	90101212022	BOLT	3		M12X22				
5	90201781200	NUT	3		M12				
6	90171112030	BOLT	3		M12X30				
7	42874730100	BAND	2						
8	90201201000	NUT	4		M10				

AT-100-5 42063541091 UPPER,LOWER,ISUZU TPG-NKR85AN-EE5AHY
PY2000196-03 OPTIONS,2 (UPPER)



適用製造番号によっては取り付けがないものもあります。

MACHINES OF SOME SERIAL NO. ARE NOT EQUIPPED WITH THESE PARTS.

CLICK HERE TO **DOWNLOAD** THE COMPLETE MANUAL

- Thank you very much for reading the preview of the manual.
- You can download the complete manual from: www.heydownloads.com by clicking the link below



- Please note: If there is no response to CLICKING the link, please download this PDF first and then click on it.

CLICK HERE TO **DOWNLOAD** THE COMPLETE MANUAL