

AT-100-4 42063461000 LOWER,TOYOTA BDG-XZU304A-TYMMB6

PB3000160-00 POWER UNIT

PO1000183-00 INDICATION PLATES (LOWER)

PX2000924-00 CARRIER UNIT

PX3000498-00 MOUNTING UNIT

PY1001251-00 OPTIONS

ASSEMBLY

CLICK HERE TO **DOWNLOAD** THE COMPLETE MANUAL

- Thank you very much for reading the preview of the manual.
- You can download the complete manual from: www.heydownloads.com by clicking the link below



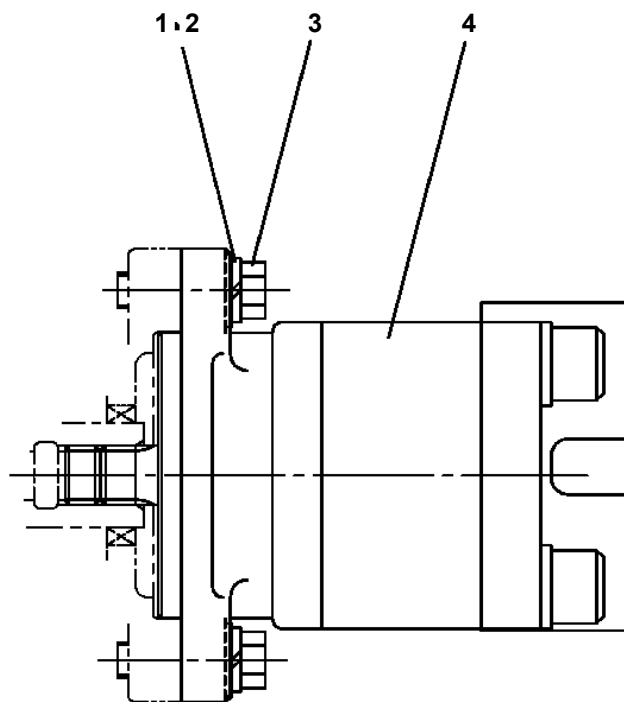
- Please note: If there is no response to CLICKING the link, please download this PDF first and then click on it.

CLICK HERE TO **DOWNLOAD** THE COMPLETE MANUAL

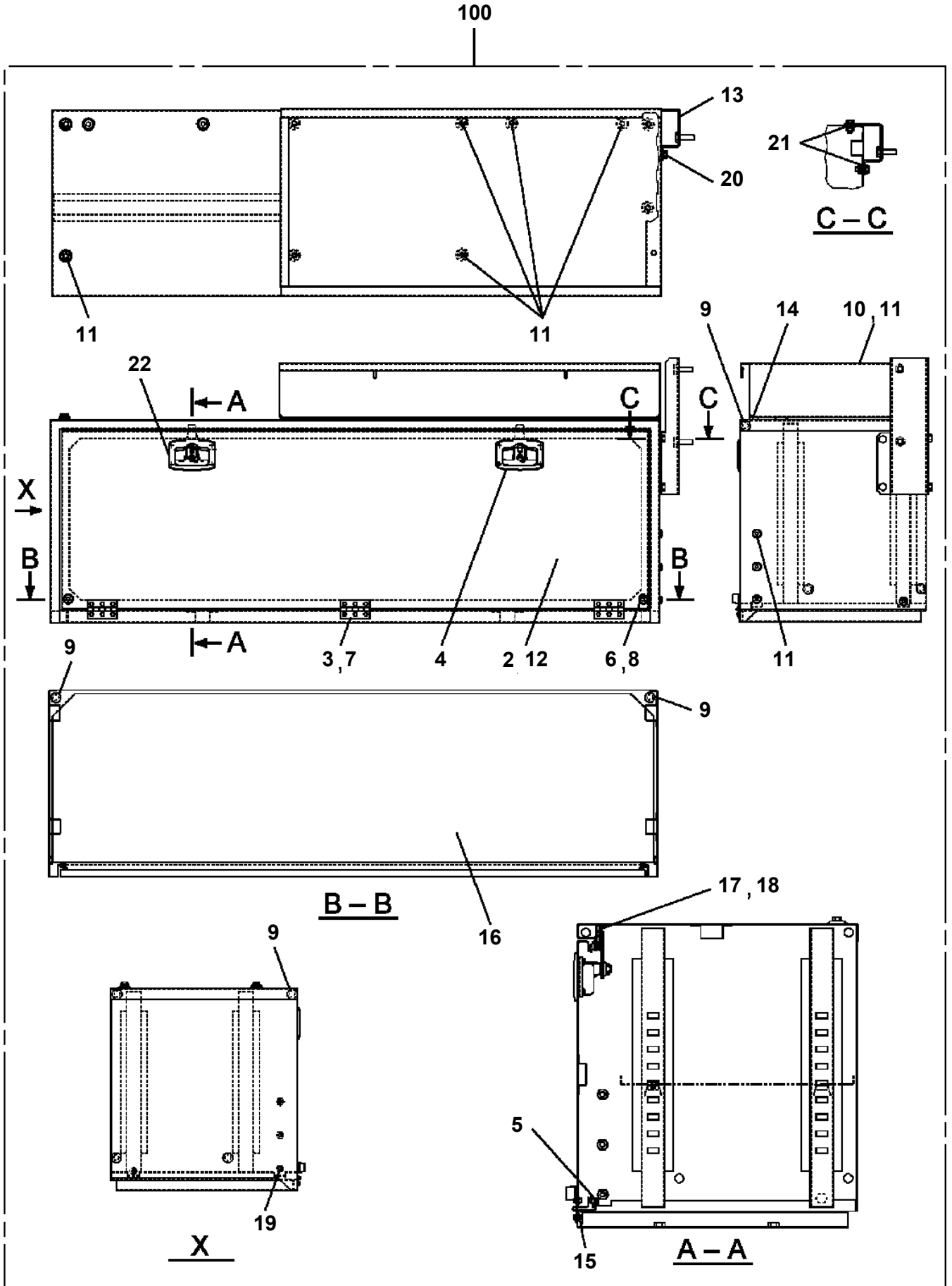
AT-100-4 42063461000 LOWER,TOYOTA BDG-XZU304A-TYMMB6

Pos No.	Parts No	Parts Name	Qty	Unit	Technical Data	Serial No (S
1	(*****)	SUPPORT (FIXED LADDER REST,1-DECKER/2007)	1			
	(*****)	SUPPORT (SWIVEL LADDER REST,2-DECKER/2007)	1			
	(*****)	SUPPORT (FIXED RADDER REST)	1			
	(*****)	SUPPORT (FIXED LADDER REST,2-DECKER/2007)	1			
2	(*****)	SUPPORT (1-DECK & FOR SHELF SLIDE BOX/2007,2010)	1			
3	(*****)	VIEW SYSTEM (FOR MITSUBISHI)	1			
	(*****)	VIEW SYSTEM (FOR ISUZU,NISSAN,MAZDA)	1			
	(*****)	VIEW SYSTEM (FOR HINO,TOYOTA)	1			
7	(*****)	BOX,TOOL (DRAWER FOR LEFT SLIDE TOOL BOX:2007,2010)	1			
	(*****)	BOX,TOOL (DRAWER/2007)	1			
	(*****)	BOX,TOOL (DRAWER FOR LEFT TOOL BOX:2007,2010)	1			219342

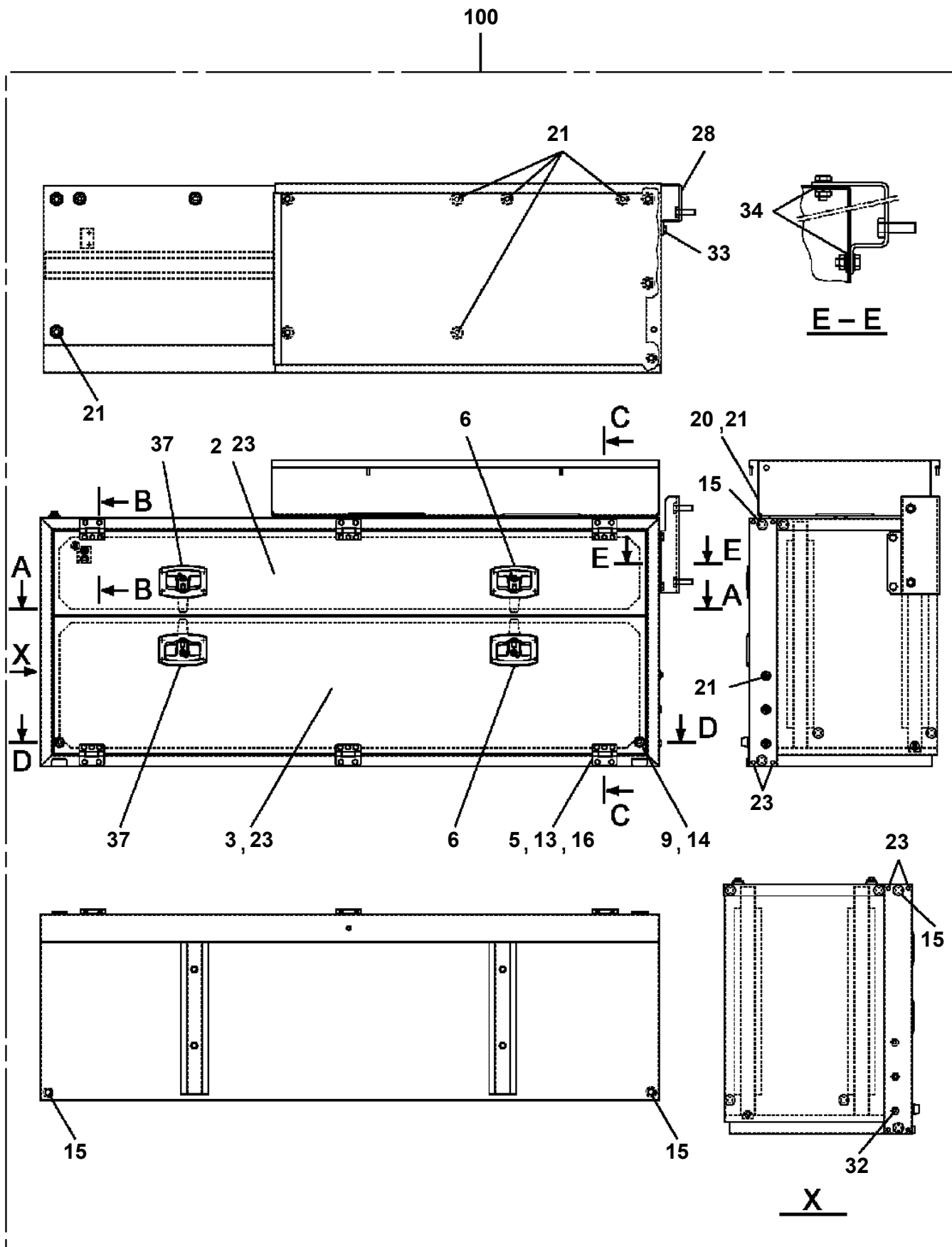
**AT-100-4 42063461000 LOWER, TOYOTA BDG-XZU304A-TYMMB6
PB1110007-01 PUMP INSTALLATION**



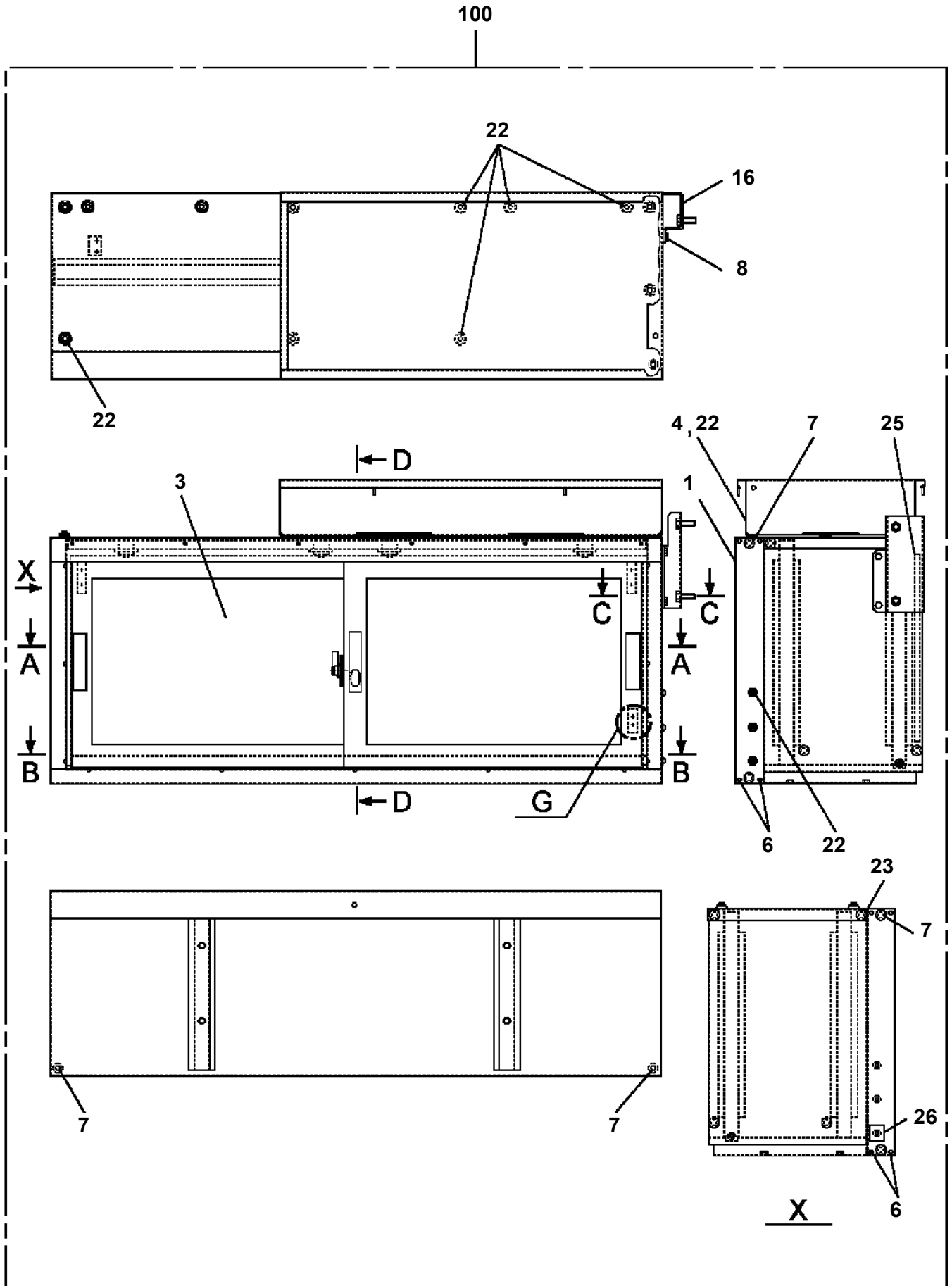
AT-100-4 42063461000 LOWER, TOYOTA BDG-XZU304A-TYMMB6
PB5410001-00 BOX, TOOL



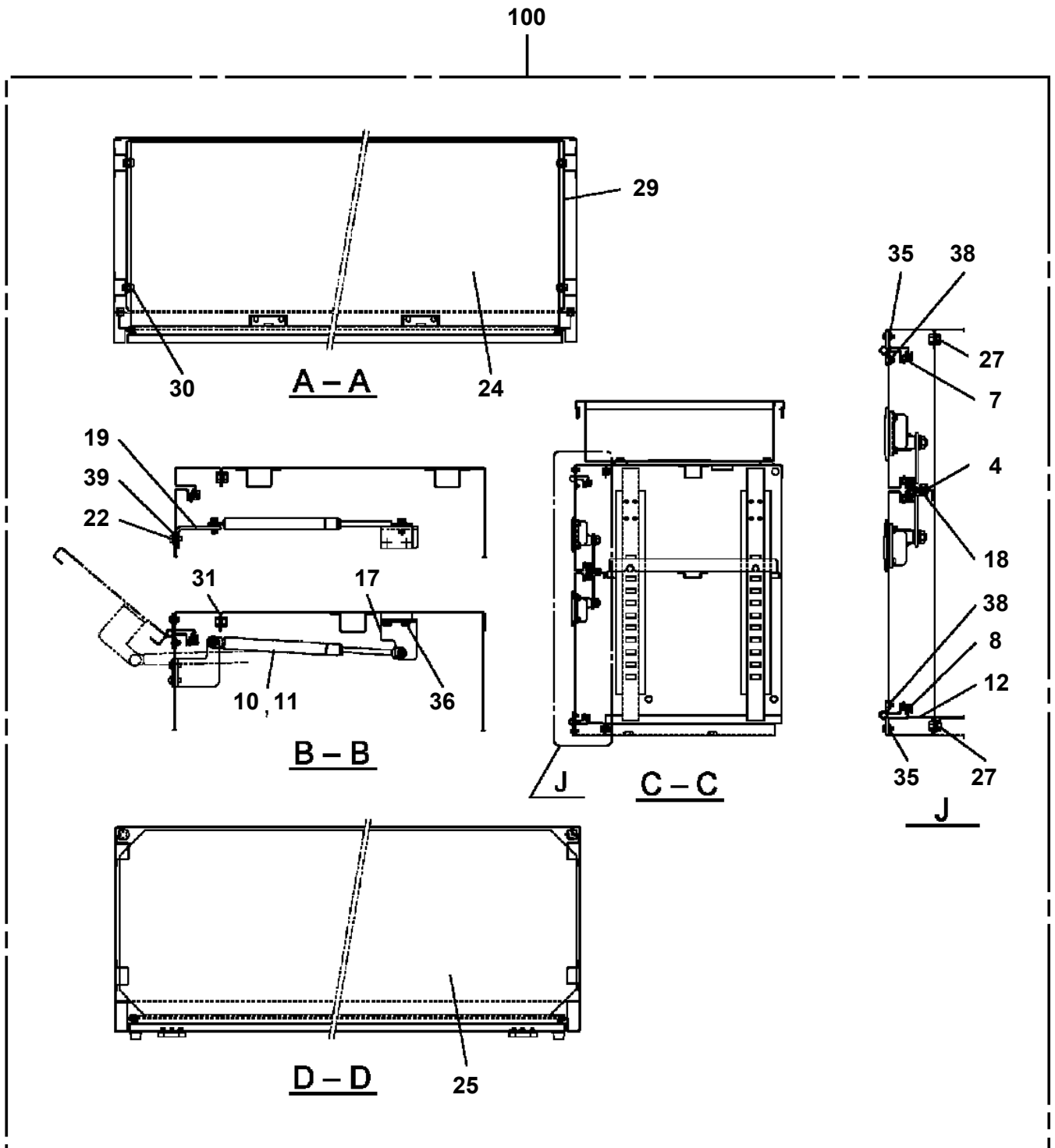
AT-100-4 42063461000 LOWER, TOYOTA BDG-XZU304A-TYMMB6
PB5410015-00 BOX, TOOL



AT-100-4 42063461000 LOWER, TOYOTA BDG-XZU304A-TYMMB6
PB5410019-00 BOX, TOOL

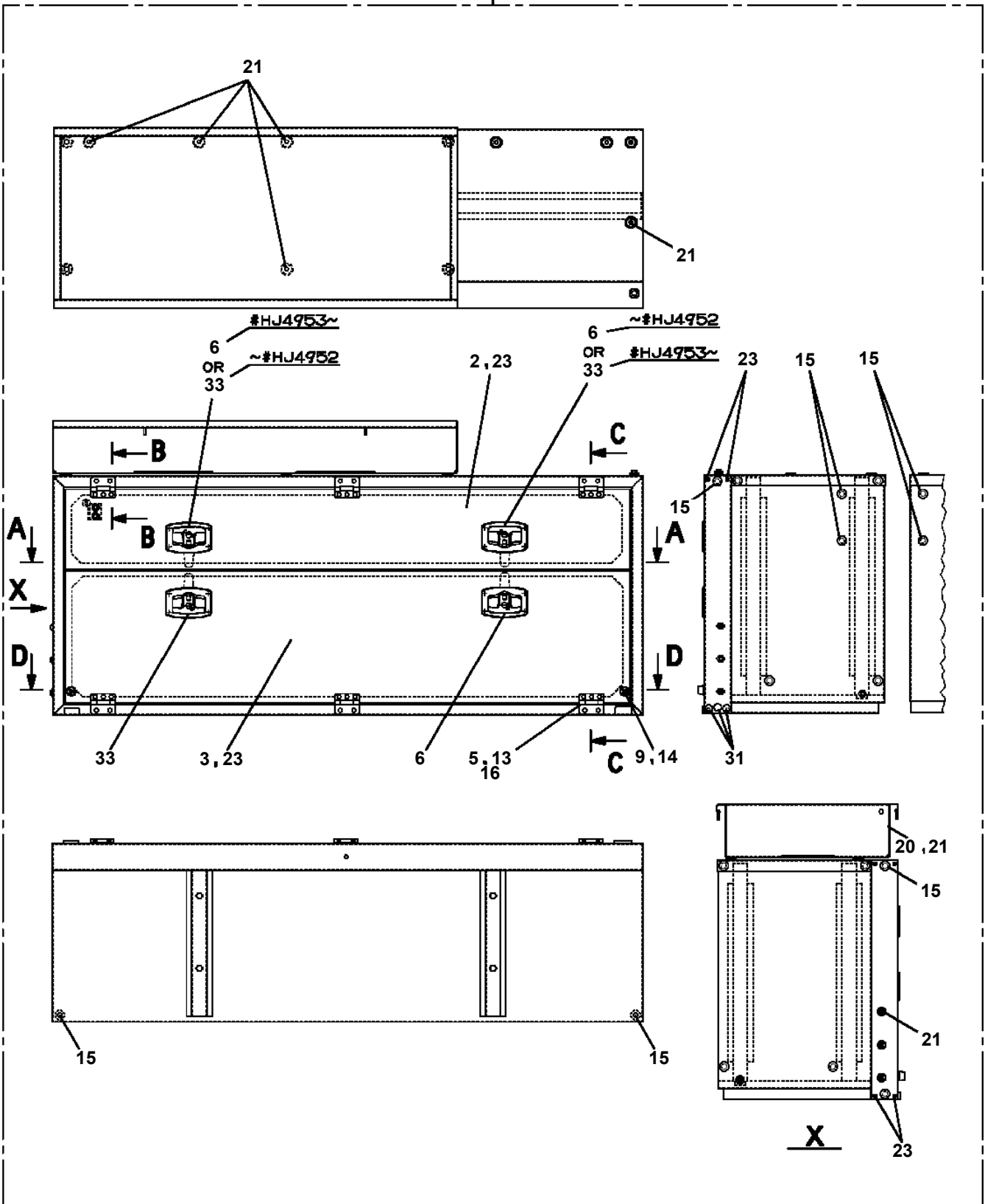


AT-100-4 42063461000 LOWER, TOYOTA BDG-XZU304A-TYMMB6
PB5410038-00 BOX, TOOL



AT-100-4 42063461000 LOWER, TOYOTA BDG-XZU304A-TYMMB6
 PB5410058-02 BOX, TOOL

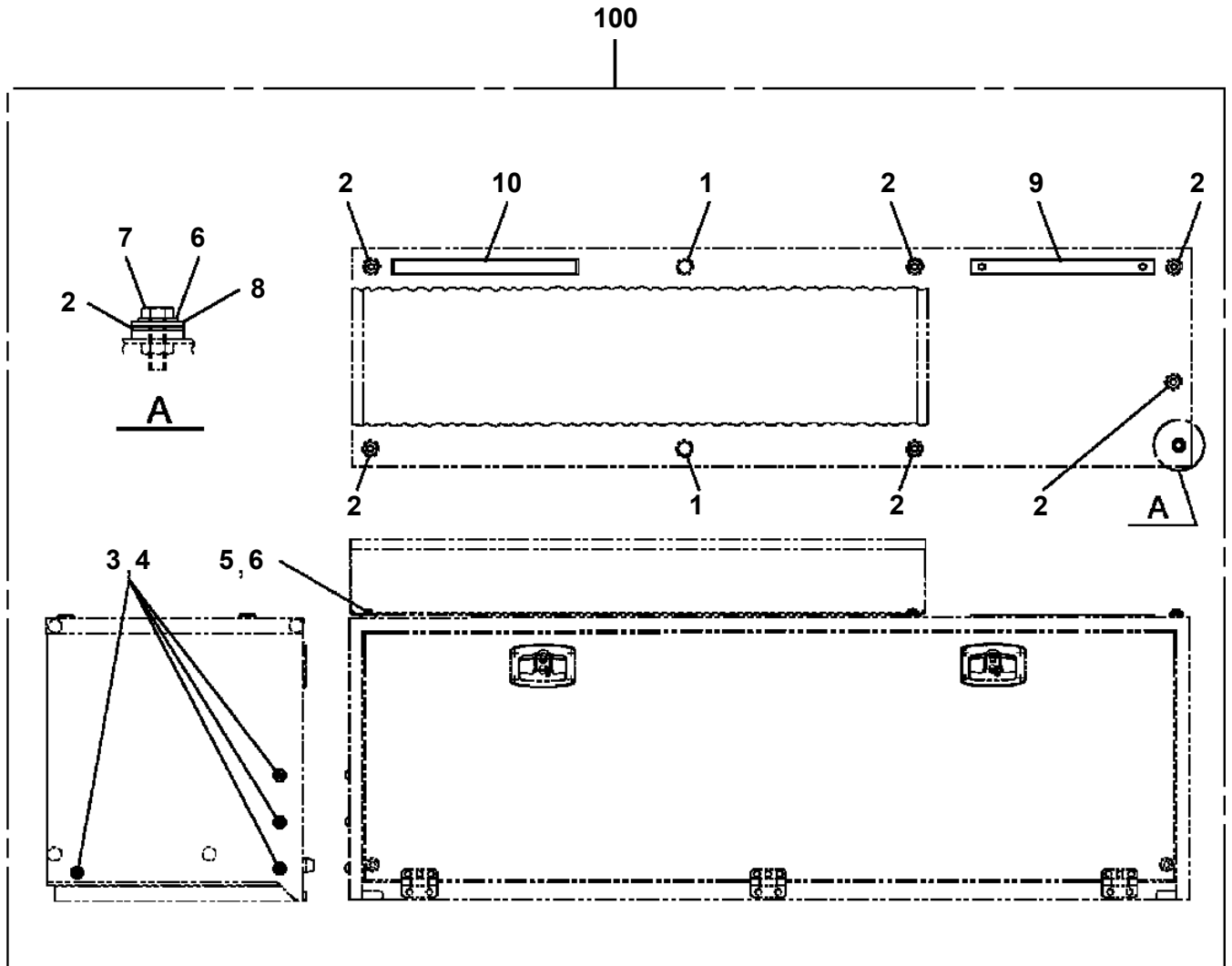
100



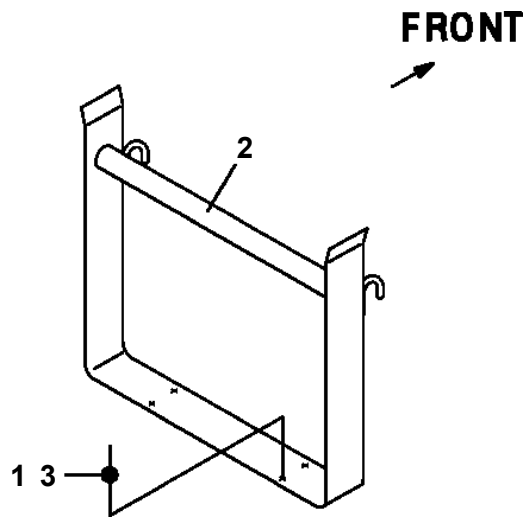
AT-100-4 42063461000 LOWER,TOYOTA BDG-XZU304A-TYMMB6

Pos No.	Parts No	Parts Name	Qty	Unit	Technical Data	Serial No (Start)	Serial No (End)	Re
2	42838487510	DOOR	1					
3	42838487520	DOOR	1					
4	42835717530	STOPPER	4					
5	42835487650	HINGE	6					
6	42835867870	CATCH	2					
7	42836317950	WEATHER STRIP	4	M				
8	42836317950	WEATHER STRIP	4	M				
9	82400000393	INSULATOR	2					
10	82464046113	GAS SPRING	1					
	82440850090	GAS SPRING	1			HK0561	HK0560	
11	42835717800	PIN	2					
12	42835717560	SUPPORT	1					
13	42834917570	SCREW,MACHINE (SEMS)	12		M5X14			
14	42835717580	SCREW,MACHINE (WITH W,NUT)	2		M4X16			
15	42833077610	BUSH	14					
16	80175805012	SCREW,MACHINE	18		M5X12			
17	42835717600	SUPPORT	1					
18	42838127510	BOLT (WITH SW,NUT)	4		M6X16			
19	42835717610	SUPPORT	1					
20	42838487550	GUIDE	1					
21	42838347520	PACKING ASSY	1					
22	42835587520	SCREW,MACHINE (WITH SW)	2		M6X14			
23	42835797580	PLUG (HOLE)	16					
24	42835717650	SEAT	1					
25	42835717660	SEAT	1					
27	99164408016	BOLT (M8X16,WITH WASHER)	17					
28	42835717670	SUPPORT	1					
29	42835717680	SUPPORT	1					
30	42835717690	BOLT (WITH W)	4		M8X12			
31	42835717700	SEAL ASSY	1					
32	42835717730	BOLT (WITH W)	1		M10X12			
33	42835717750	BOLT (WITH W,SW,NUT)	4		M10X25			
34	42835717760	PLATE	2					
35	42836317930	PLATE	6					
36	99163006014	BOLT,SEMS (M6X14)	2					
37	42838117510	CATCH	2					
38	42838487540	PLATE	6					
39	37000512320	PLATE	2					
100	42838341001	BOX,TOOL	1					

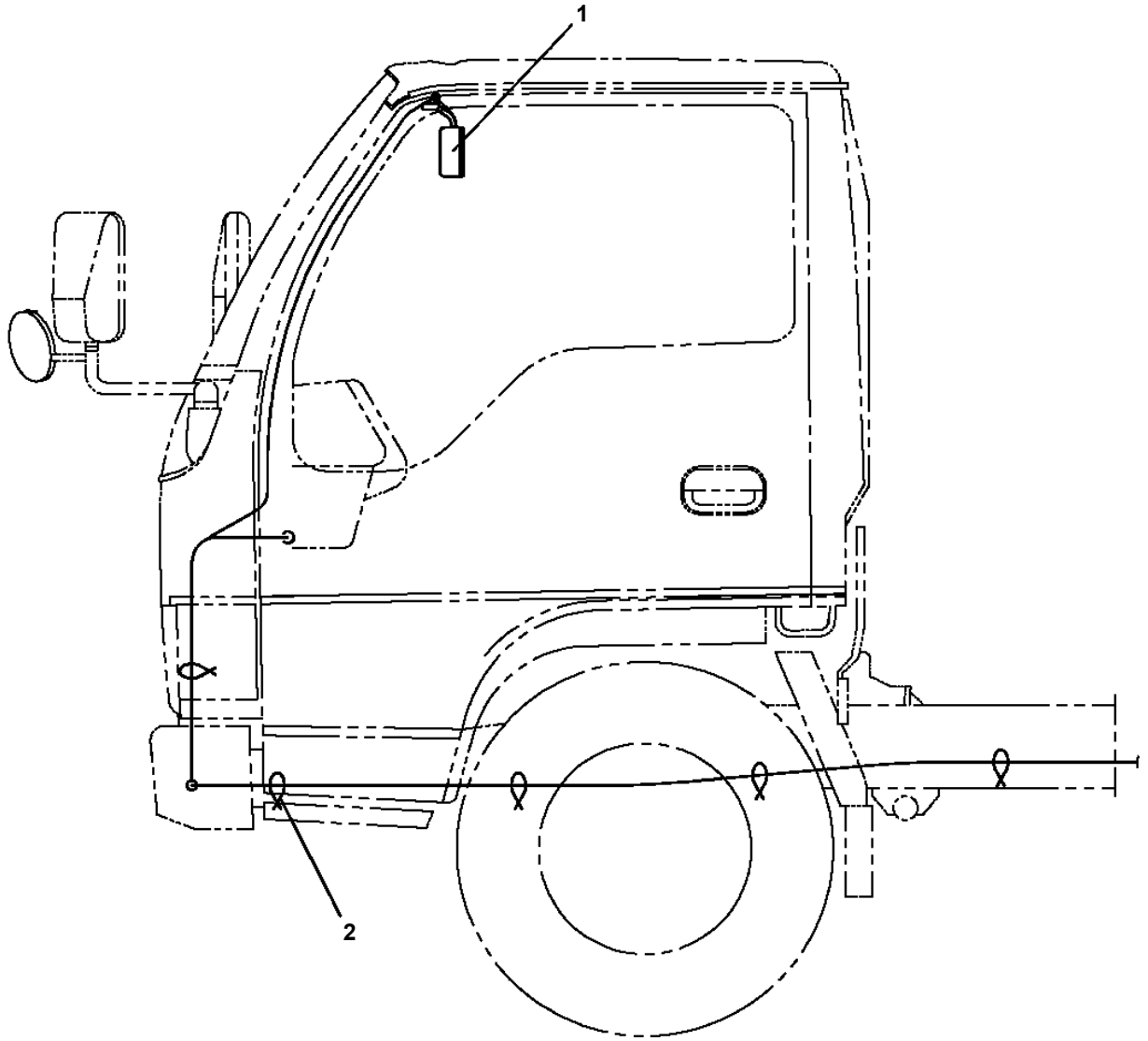
AT-100-4 42063461000 LOWER, TOYOTA BDG-XZU304A-TYMMB6
PB5410080-00 BOX, TOOL (PACKING ASSY)



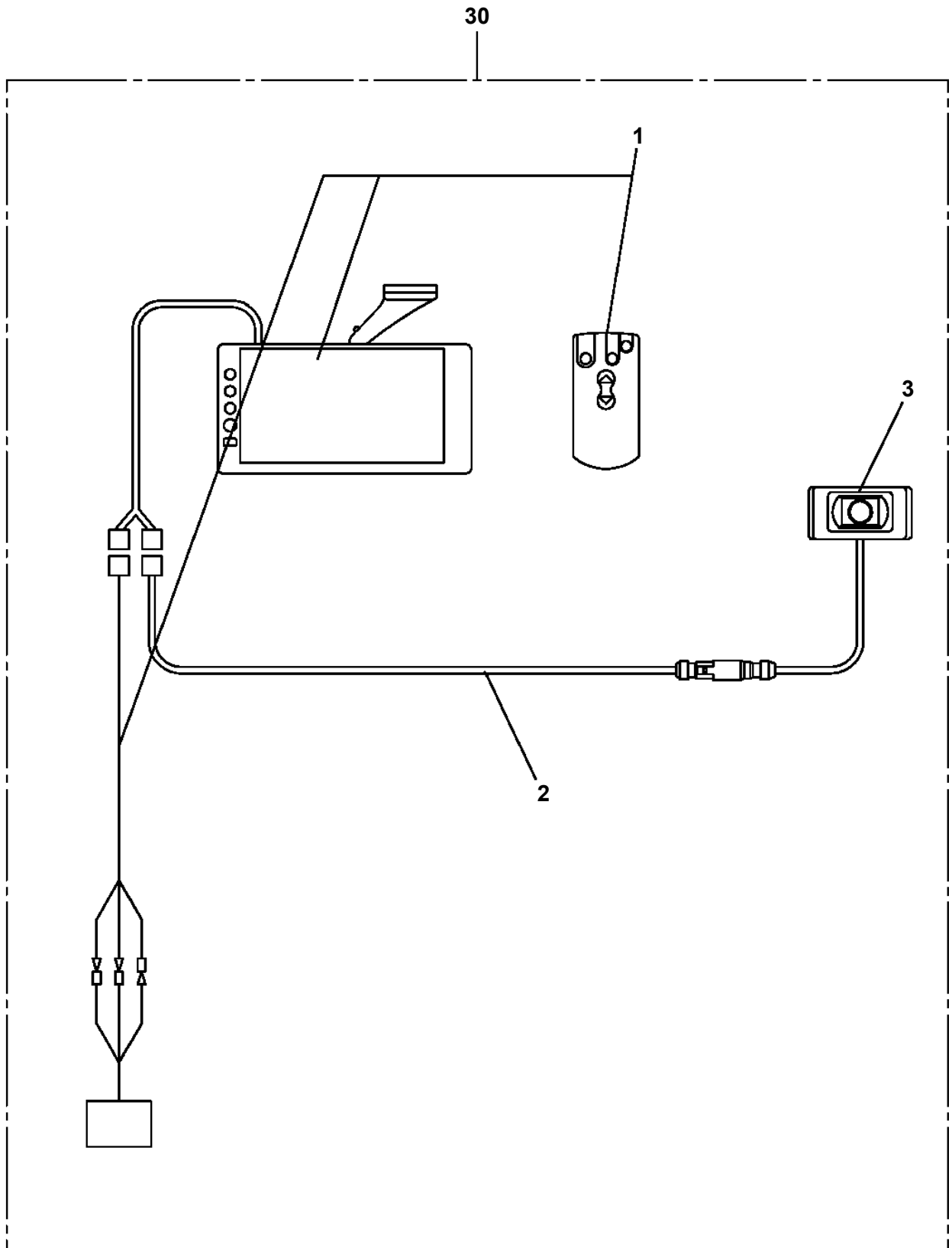
**AT-100-4 42063461000 LOWER, TOYOTA BDG-XZU304A-TYMMB6
PF1080100-00 SUPPORT (FIXED RADDER REST)**



**AT-100-4 42063461000 LOWER, TOYOTA BDG-XZU304A-TYMMB6
PH1700270-00 VIEW SYSTEM (MONITOR)**

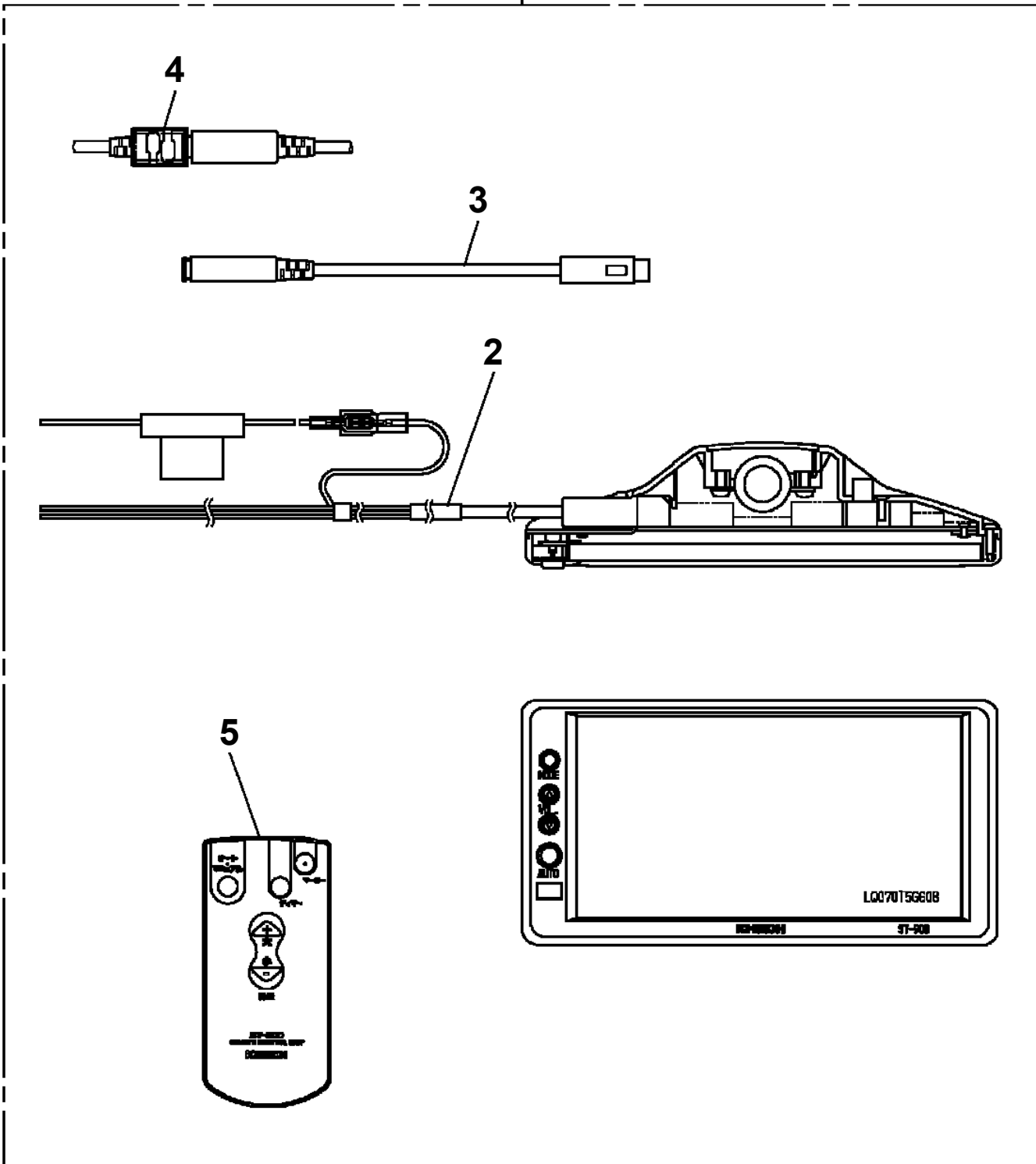


AT-100-4 42063461000 LOWER, TOYOTA BDG-XZU304A-TYMMB6
PH1700284-00 VIEW SYSTEM (MAIN UNIT)



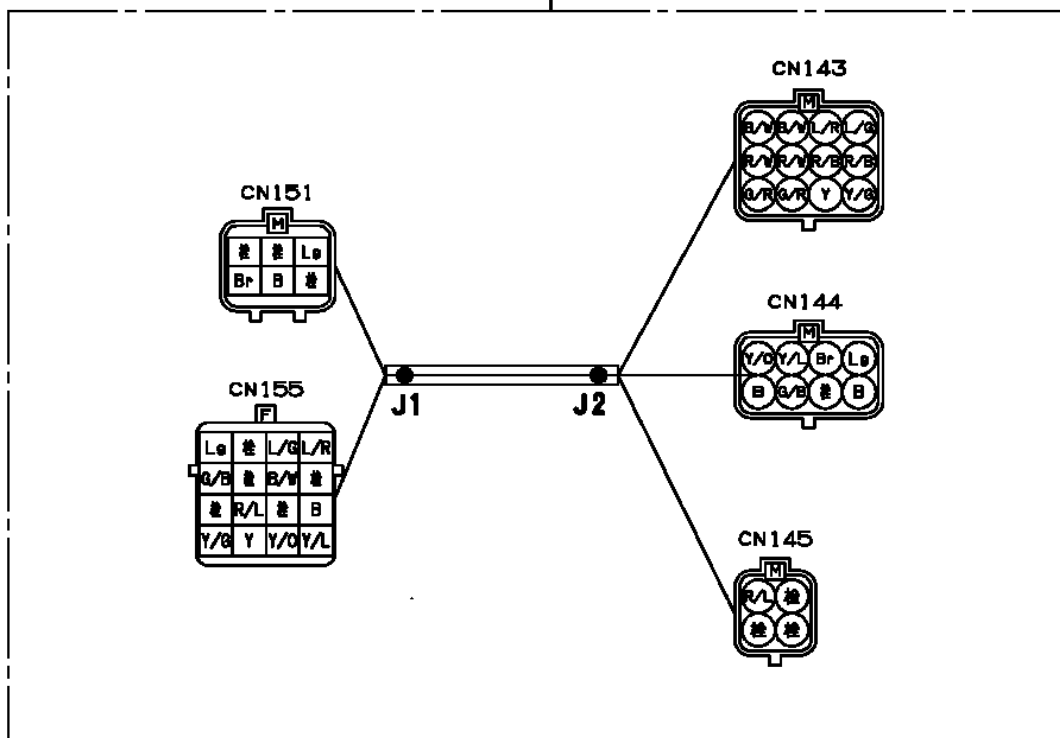
AT-100-4 42063461000 LOWER, TOYOTA BDG-XZU304A-TYMMB6
PH1710015-00 DISPLAY

100

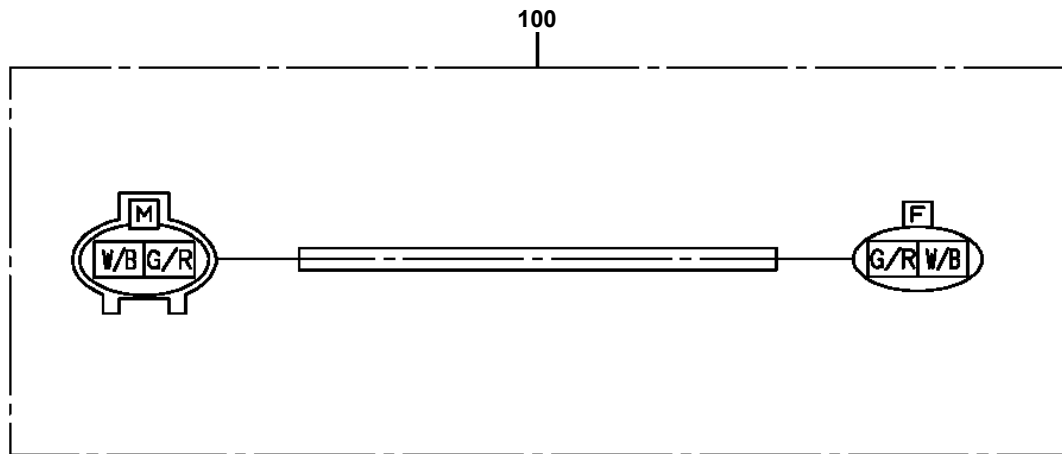


AT-100-4 42063461000 LOWER, TOYOTA BDG-XZU304A-TYMMB6
 PH5030692-00 HARNESS

10

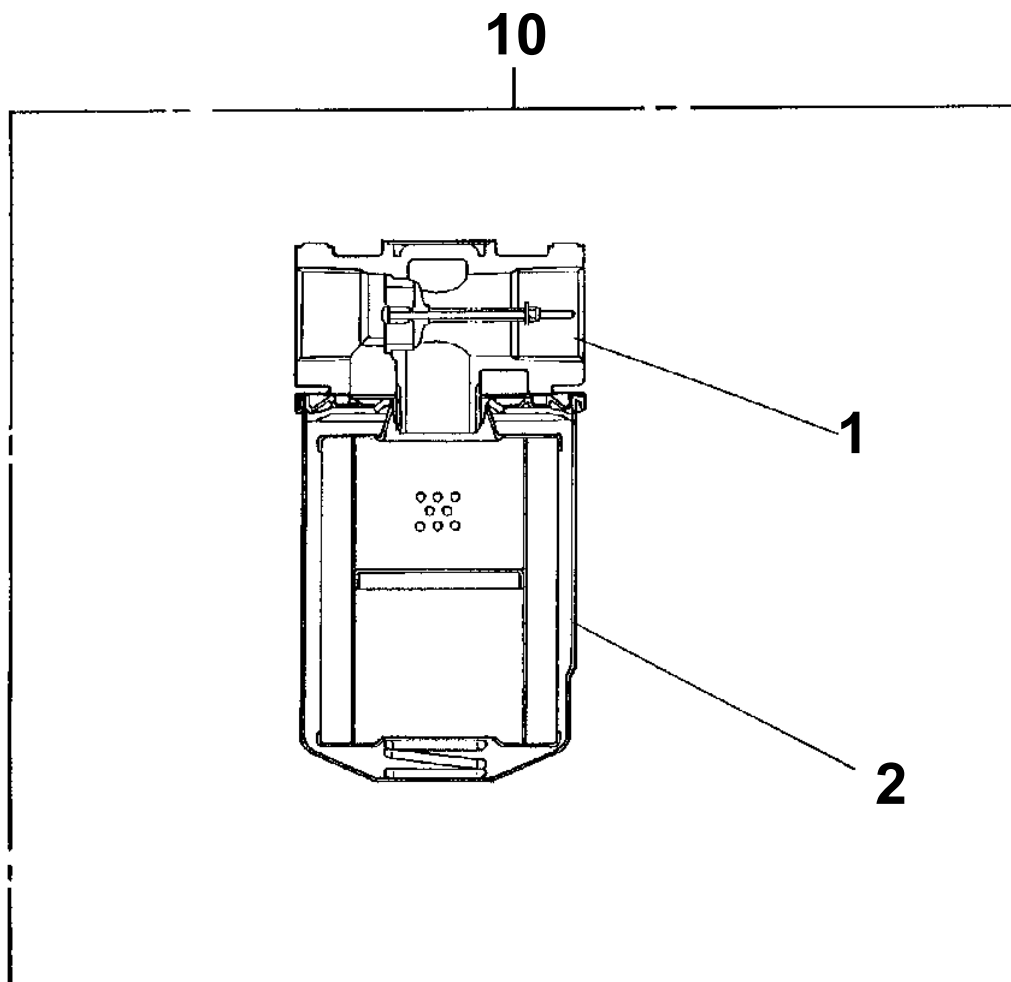


AT-100-4 42063461000 LOWER,TOYOTA BDG-XZU304A-TYMMB6
PH5034401-00 HARNESS



AT-100-4 42063461000 LOWER, TOYOTA BDG-XZU304A-TYMMB6
PI1300061-02 FILTER, OIL (YAMASHIN)

Assembly Name FILTER, OIL



CLICK HERE TO **DOWNLOAD** THE COMPLETE MANUAL

- Thank you very much for reading the preview of the manual.
- You can download the complete manual from: www.heydownloads.com by clicking the link below



- Please note: If there is no response to CLICKING the link, please download this PDF first and then click on it.

CLICK HERE TO **DOWNLOAD** THE COMPLETE MANUAL

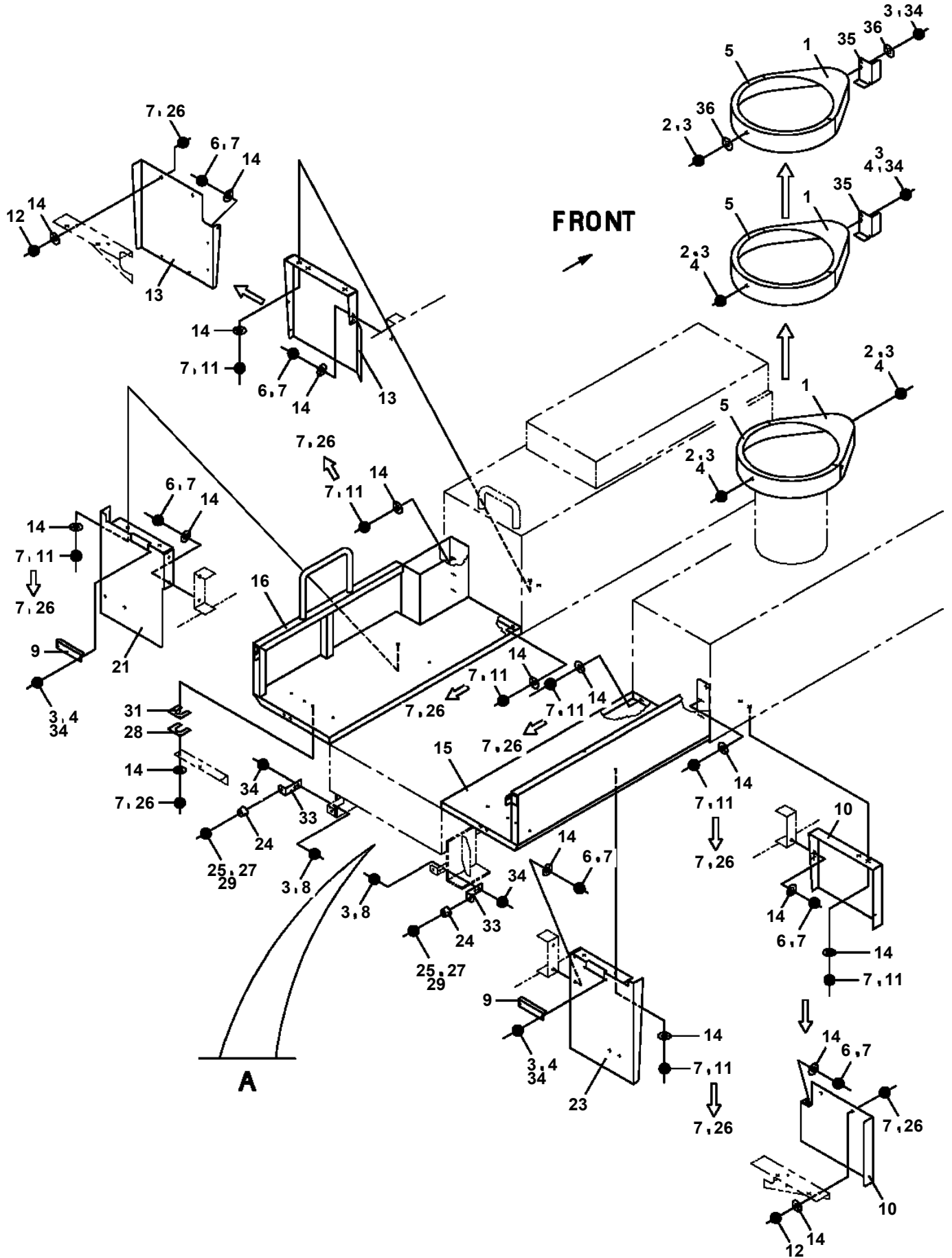
AT-100-4 42063461000 LOWER, TOYOTA BDG-XZU304A-TYMMB6

Pos No.	Parts No	Parts Name	Qty	Unit	Technical Data	Serial No (Start)	Serial No (End)	Remarks	Page
1	42652695010	CABLE ASSY	1		L=1500				
2	82100001216	CAP	1						
3	37002703390	CABLE ASSY	1		L=270				
4	91810132530	FASTENER	6						
5	82100001802	TUBE,CORRUGATE	2	M	10				
6	90303070801	WASHER,PLAIN	1		8	HK0043			
7	90302040801	WASHER,SPRING	1		8	HK0043			
8	90201200800	NUT	1		M8	HK0043			
9	90303070601	WASHER,PLAIN	2		6	HK0992			

AT-100-4 42063461000 LOWER, TOYOTA BDG-XZU304A-TYMMB6

Pos No.	Parts No	Parts Name	Qty	Unit	Technical Data	Serial No (Start)	Serial No (End)	Remarks	Page
5	36160017550	HANDLE	1						
6	36160655020	SHAFT	1						
7	36160017560	WASHER,PLAIN	1						
9	36160025010	CORD ASSY (MAIN)	1						
10	36160025020	CLIP	1						
11	36160025030	COVER (CLIP)	1						
13	36160017590	PLATE (CONTACT)	1						
50	36160020000	REEL,CORD	1						

**AT-100-4 42063461000 LOWER, TOYOTA BDG-XZU304A-TYMMB6
PX1210144-01 GUARD**

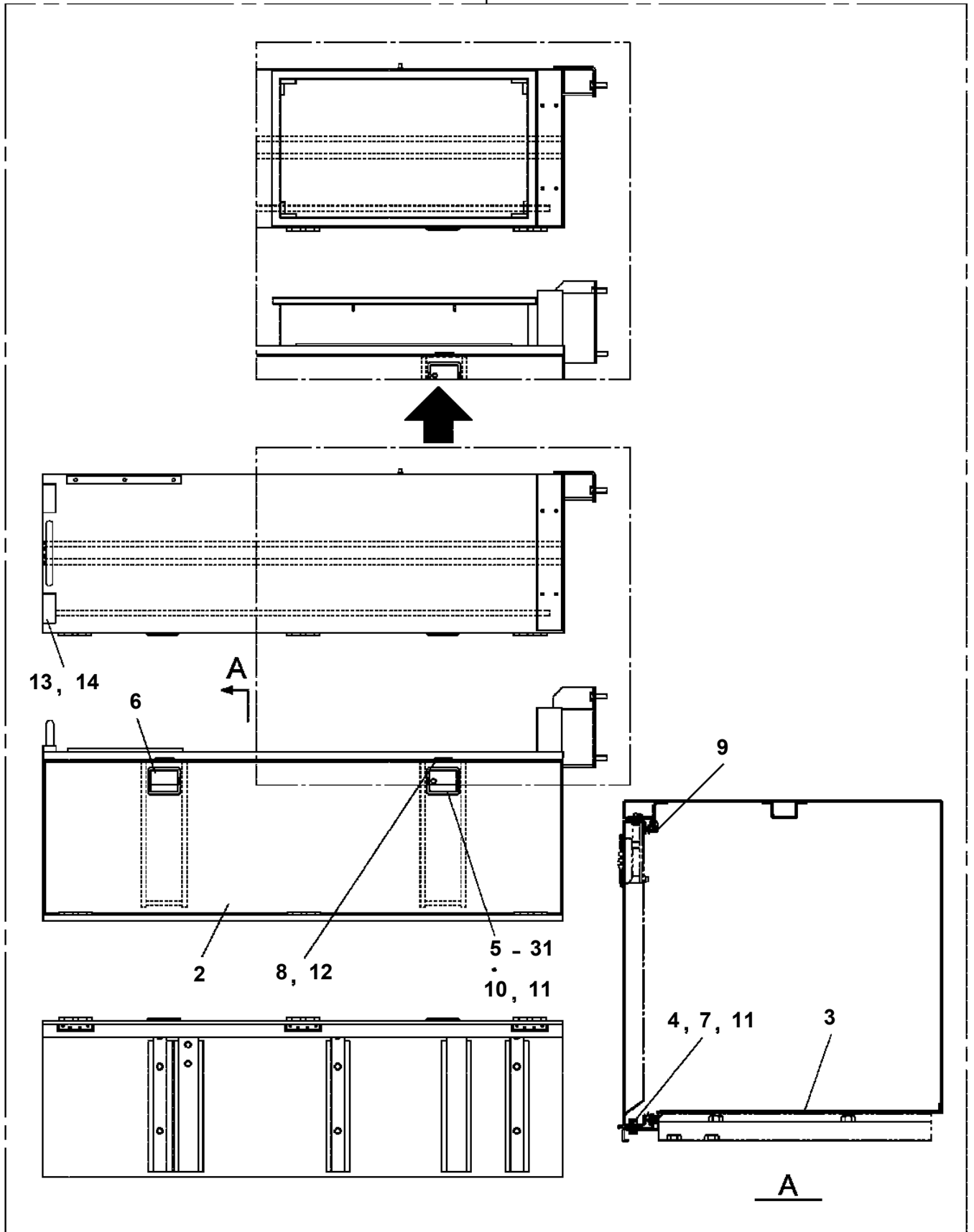


AT-100-4 42063461000 LOWER,TOYOTA BDG-XZU304A-TYMMB6

Pos No.	Parts No	Parts Name	Qty	Unit	Technical Data	Serial No (Start)	Serial No (End)	Remark
1	90201200800	NUT	6		M8		219119	
	90201200800	NUT	7		M8	219120	219591	
	90201200800	NUT	6		M8	219592		
2	90302040601	WASHER,SPRING	1		6			
3	90201200600	NUT	1		M6			
4	91850400601	CLAMP	3				219326	
	91850400601	CLAMP	4			219327	219591	
	91850400601	CLAMP	3			219592		
5	91810130230	FASTENER	3					
6	34700161000	LEVEL	1					
7	82100002006	CLAMP	1		WR10			
8	90101208016	BOLT	8		M8X16			
9	90302040801	WASHER,SPRING	10		8		219119	
	90302040801	WASHER,SPRING	11		8	219120	219591	
	90302040801	WASHER,SPRING	10		8	219592		
10	42807380100	HARNESS	2		L=600		219591	
	42807380100	HARNESS	1		L=600	219592		
11	91810132530	FASTENER	N					
12	42900220100	SUPPORT	2					
13	90101208020	BOLT	2		M8X20			
14	82400000205	GROMMET	1				219591	
15	82100000975	CLIP	1				219591	
16	42808000200	HARNESS	2					
17	82111101510	TERMINAL	4					
18	82121101050	PLUG (BLACK/AV0.3 TO 0.5)	8					
19	82111101010	TERMINAL	4					
20	82114102020	CONNECTOR	2					
21	82121102020	HOLDER	4					
22	82114101020	CONNECTOR (2P,MALE)	2					
23	82100002011	CLAMP	1		WRC15	219120	219591	
24	90186208016	BOLT,FLANGE	1		M8X16	219120	219591	

AT-100-4 42063461000 LOWER, TOYOTA BDG-XZU304A-TYMMB6
PX1350793-03 BOX, TOOL

100



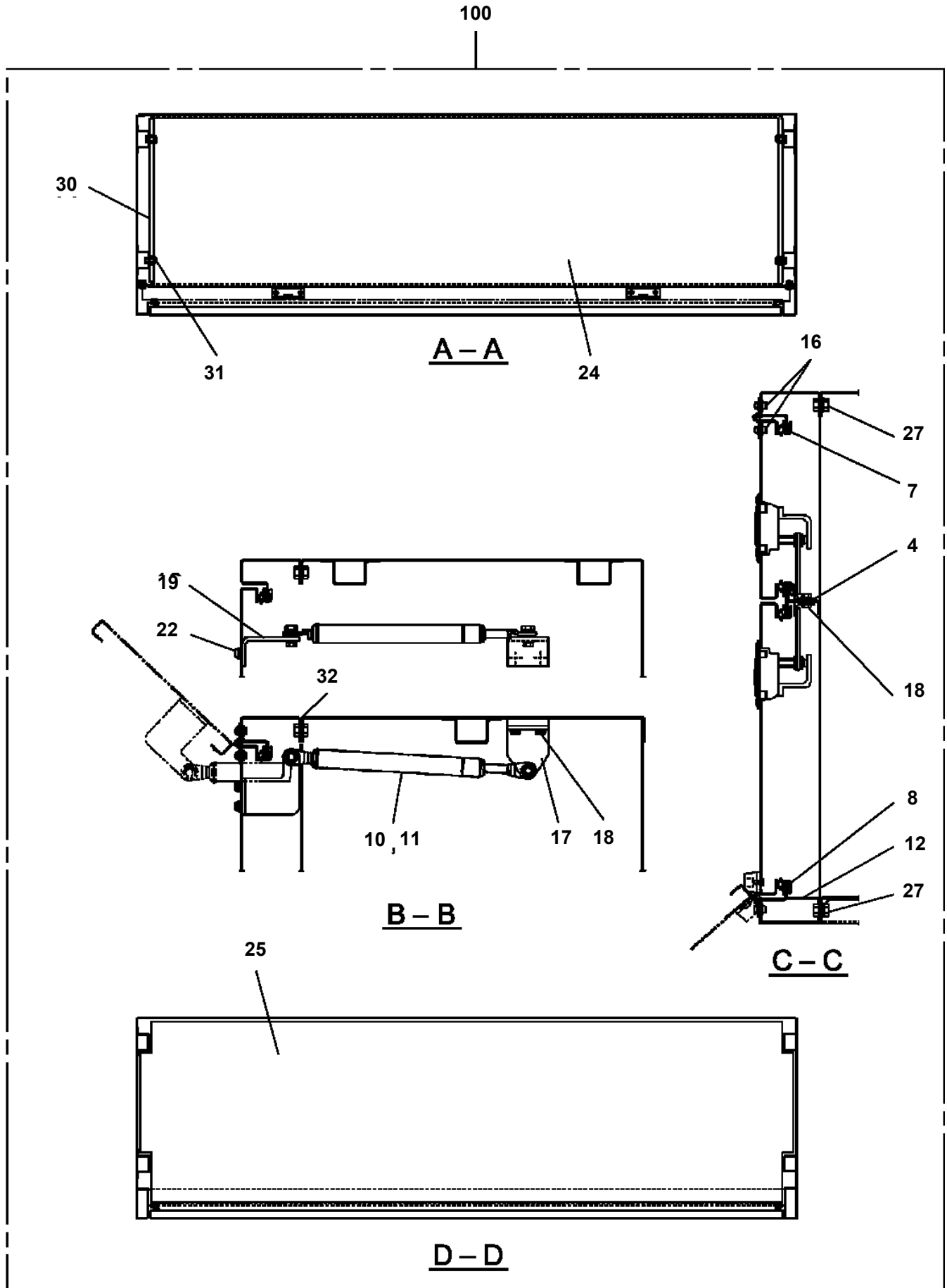
AT-100-4 42063461000 LOWER,TOYOTA BDG-XZU304A-TYMMB6

Pos No.	Parts No	Parts Name	Qty	Unit	Technical Data	Serial No (Start)	Serial No (End)	Remarks	P
2	42835357510	DOOR	1				218967		
	42836347510	DOOR	1			218968			
3	42835357520	DOOR	1				218967		
	42835457520	DOOR	1			218968			
4	42835457510	SEAT	1						
5	42835357540	PLATE	9						
6	42835357550	SUPPORT (DAMPER)	1						
7	42835357560	SUPPORT (DAMPER)	1						
8	42833607570	BOLT ASSY	4						
9	42833607620	CUSHION	2						
10	42835357570	WEATHER STRIP	1		L=2025				
11	42835357580	WEATHER STRIP	1		L=1565				
12	42834787560	WEATHER STRIP	1		L=3540				
13	42835357590	CATCH	4						
14	42833607560	GAS SPRING	2						
15	82464110007	HINGE	6						
16	42835257960	SCREW,MACHINE	36		M4X10				
17	42834877590	NUT (WITH SW)	4		M6				
18	42835307540	NUT,CAP (WITH W,SW)	4						
19	42835797550	SEAL	1			218968			
20	42833077610	BUSH	15			218968			
100	42835452000	BOX,TOOL	1						

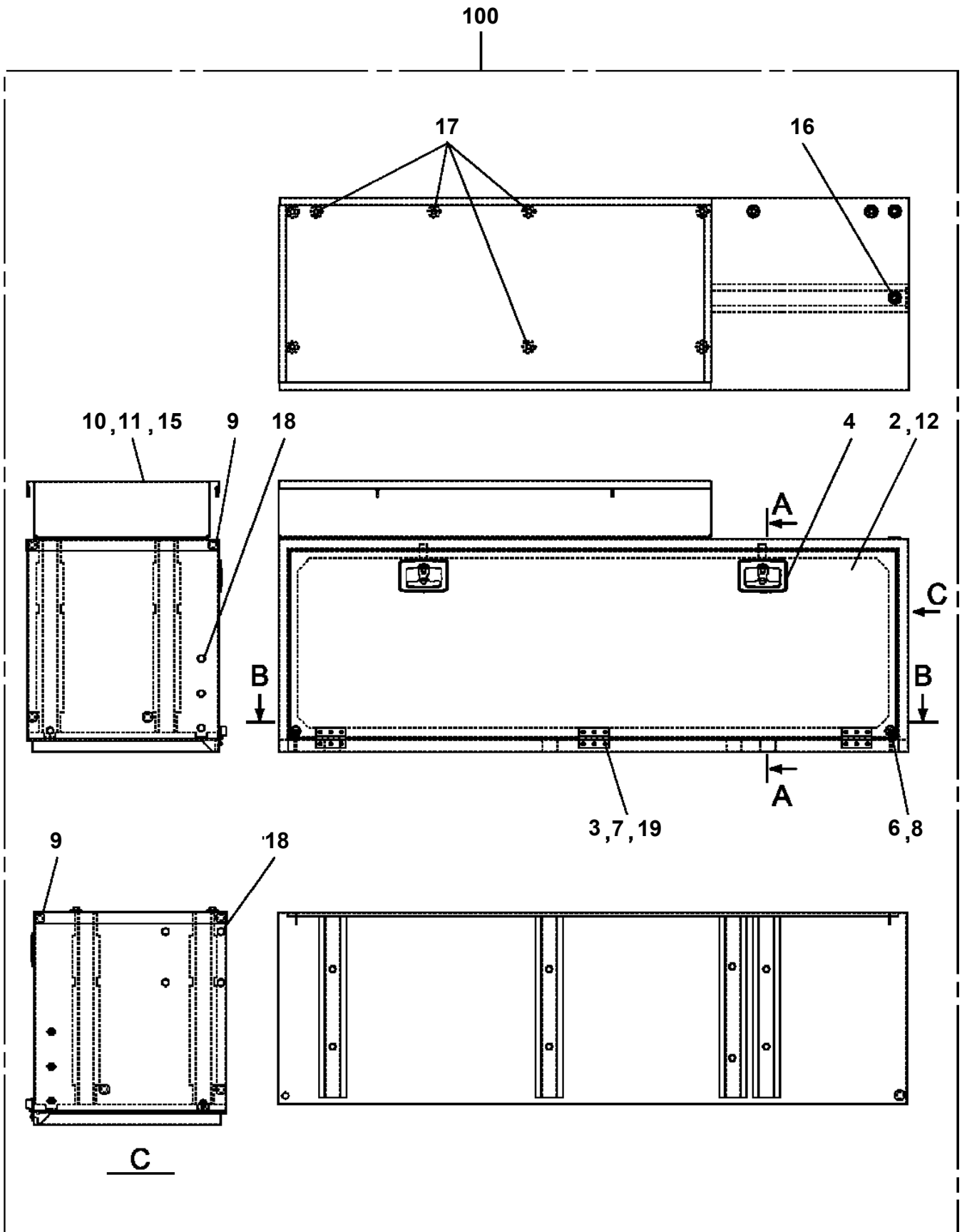
AT-100-4 42063461000 LOWER,TOYOTA BDG-XZU304A-TYMMB6

Pos No.	Parts No	Parts Name	Qty	Unit	Technical Data	Serial No (Start)	Serial No (End)	Remarks	Pages
2	42835727510	DOOR	1						
3	42835727520	SEAT	1						
4	42835357540	PLATE	3						
5	42833607620	CUSHION	2						
6	42835067520	WEATHER STRIP	1		L=3930				
7	42835357590	CATCH	2						
8	82464110007	HINGE	3						
9	42835257960	SCREW,MACHINE	18		M4X10				
10	42834877590	NUT (WITH SW)	4		M6				
11	42835797550	SEAL	1						
12	42833077610	BUSH	8						
100	42835722000	BOX,TOOL	1						

AT-100-4 42063461000 LOWER, TOYOTA BDG-XZU304A-TYMMB6
PX1350982-00 BOX, TOOL



AT-100-4 42063461000 LOWER, TOYOTA BDG-XZU304A-TYMMB6
PX1350996-00 BOX, TOOL



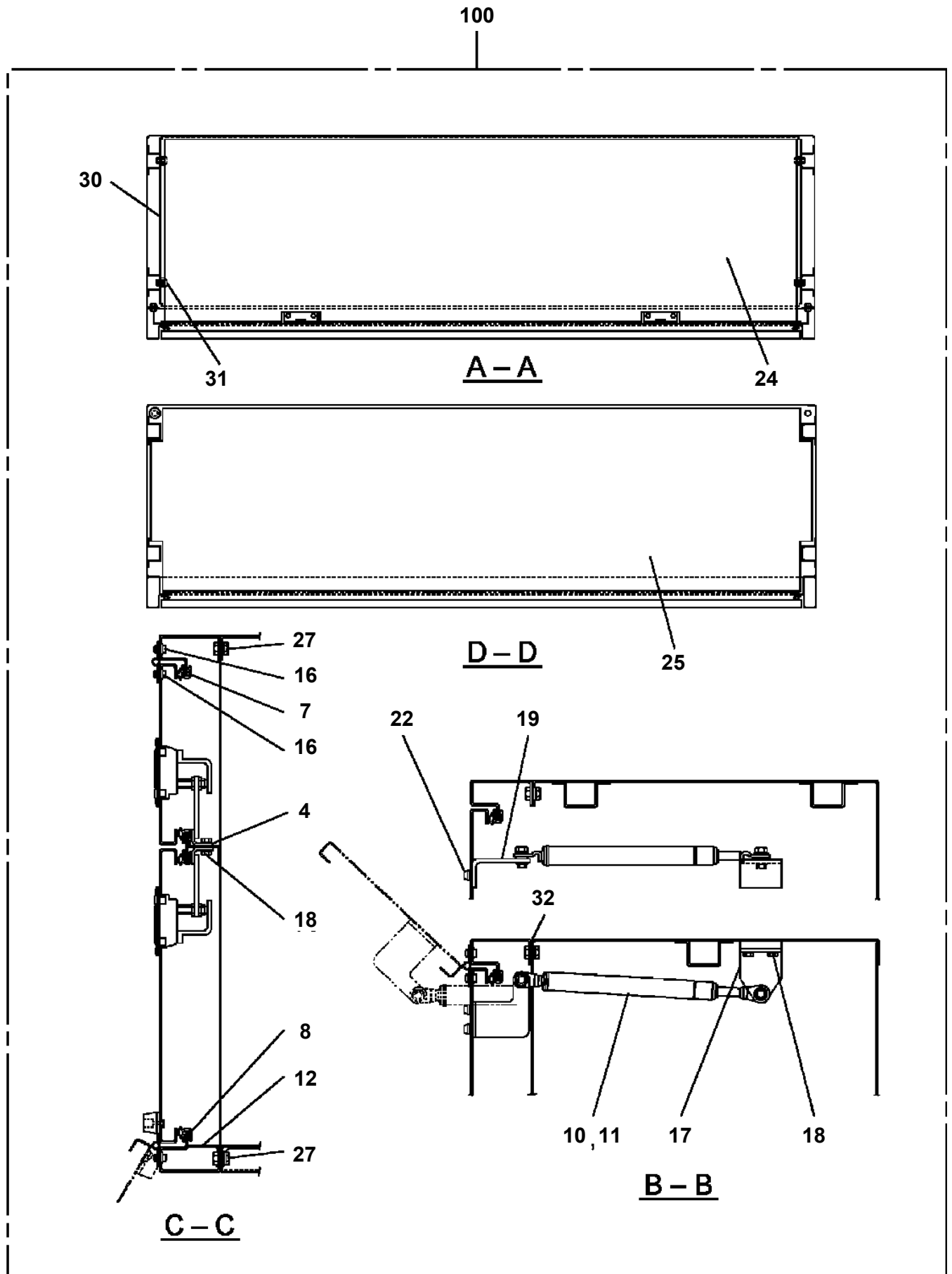
AT-100-4 42063461000 LOWER,TOYOTA BDG-XZU304A-TYMMB6

Pos No.	Parts No	Parts Name	Qty	Unit	Technical Data	Serial No (Start)	Serial No (End)	Remarks	Pages
1	42836073000	BOX,TOOL	1						00012
2	42835711000	BOX,TOOL	1						00011
3	90101210025	BOLT	12		M10X25				
4	90302041001	WASHER,SPRING	12		10				
5	37000549940	PLATE	12		T=3.2				
6	42836080010	SUPPORT	1						
7	90101208020	BOLT	6		M8X20				
8	42835710020	PLATE	2						
9	90302040801	WASHER,SPRING	6		8				
10	82466102908	WASHER	4						
11	42835710100	SUPPORT	1						
12	37000547660	PLATE	2		T=2.3				
31	42398701010	PLATE,CAUTION	2						
32	42835714010	PLATE (NON-SLIP)	2				219900		

AT-100-4 42063461000 LOWER,TOYOTA BDG-XZU304A-TYMMB6

Pos No.	Parts No	Parts Name	Qty	Unit	Technical Data	Serial No (Start)	Serial No (End)	Re
2	42836147510	DOOR	1					
3	42833867750	HINGE	3					
4	42835357590	CATCH	2					
5	42836057520	WEATHER STRIP	1		L=3840			
6	82400000393	INSULATOR	2					
7	42835717570	SCREW,MACHINE (WITH SW)	18		M5X16			
8	42835717580	SCREW,MACHINE (WITH W,NUT)	2		M4X16			
9	42833077610	BUSH	9					
10	42835717620	GUIDE	1					
11	42691707670	BOLT (WITH WASHER)	4		M8X16		219179	
12	42835717640	CUSHION (RUBBER)	4				219179	
	42835797580	PLUG (HOLE)	4			219180		
13	42836057530	SUPPORT	1					
14	99164410020	BOLT (M10X20,WITH WASHER)	8				219179	
15	42835717590	PLATE	6					
16	42835717660	SEAT	1					
17	82466102908	WASHER	4				219179	
18	42835717710	BOLT (WITH W)	4		M8X10		219179	
19	99164408010	BOLT (WITH W,SW)	4		M8X10		219179	
20	42836057540	PLATE (PACKING)	6				219179	
21	42836057550	PLATE	2					
22	99163006012	BOLT	4		M6X12			
23	99164010012	BOLT (WITH W,SW)	1		M10X12			
24	42835717750	BOLT (WITH W,SW,NUT)	4		M10X25	219180		
25	42835717760	PLATE	2			219180		
26	42835717770	SPACER	1			219180		
27	42835717780	PACKING	1			219180		
100	42836141000	BOX,TOOL	1					

AT-100-4 42063461000 LOWER, TOYOTA BDG-XZU304A-TYMMB6
PX1351065-01 BOX, TOOL

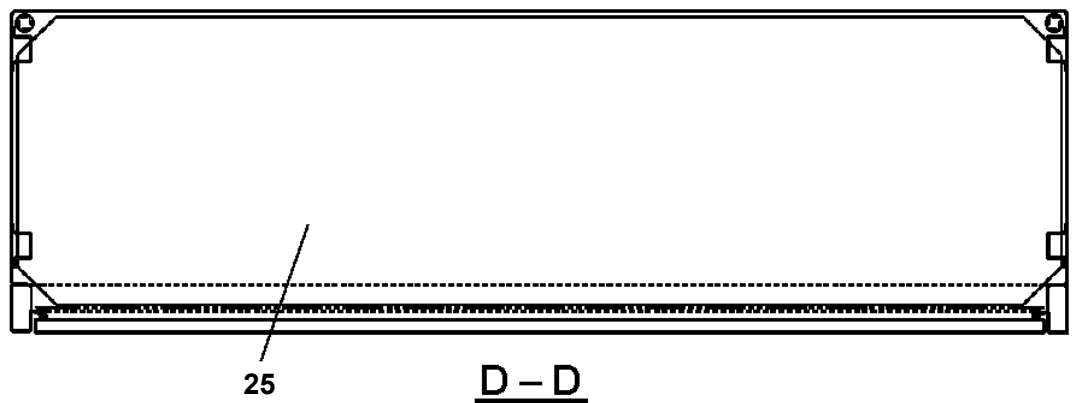
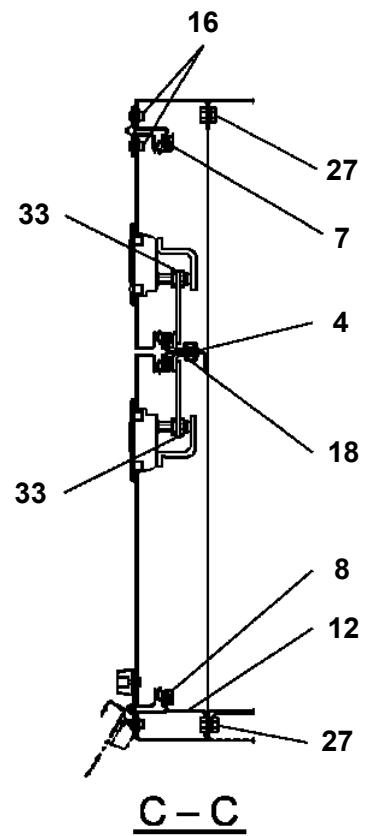
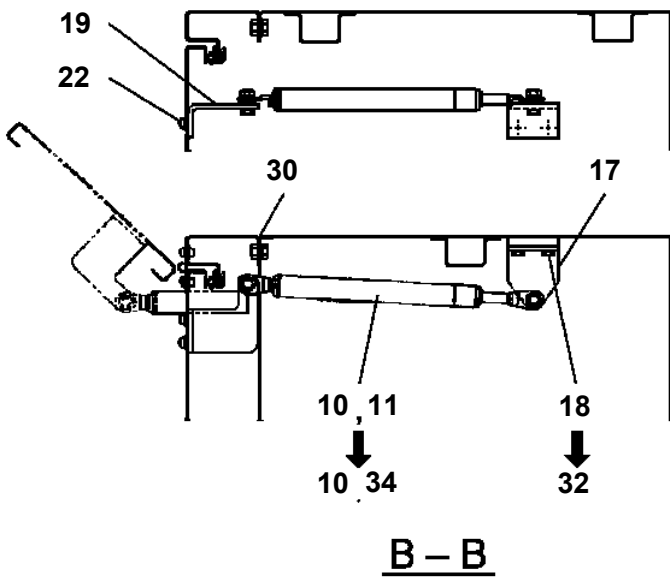
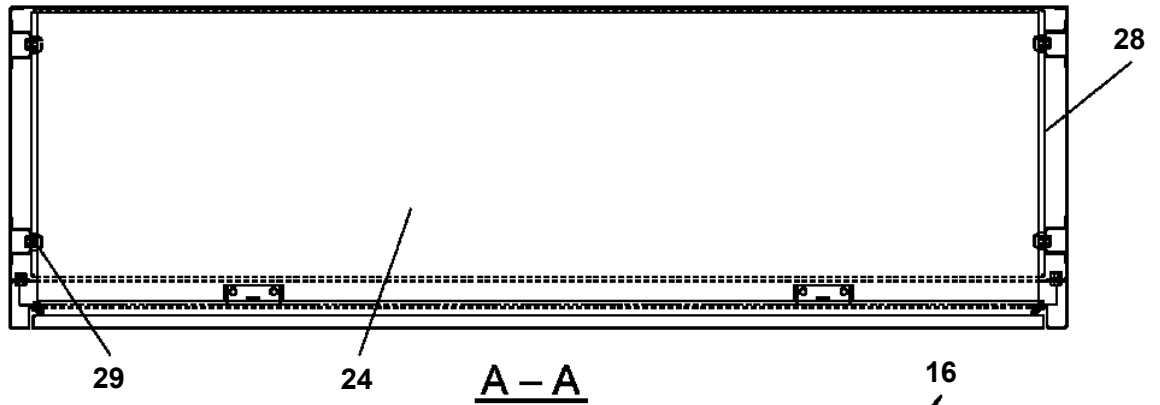


AT-100-4 42063461000 LOWER,TOYOTA BDG-XZU304A-TYMMB6

Pos No.	Parts No	Parts Name	Qty	Unit	Technical Data	Serial No (Start)	Serial No (End)	Rem
3	42836077510	DOOR ASSY	1					
4	42835717720	GUIDE	1					
5	99164408010	BOLT (WITH W,SW)	4		M8X10		219159	
6	42835717710	BOLT (WITH W)	4		M8X10		219159	
7	42691707670	BOLT (WITH WASHER)	4		M8X16		219159	
8	82466102908	WASHER	4				219159	
9	42832957570	CAP (BOLT)	4				219159	
10	42835797580	PLUG (HOLE)	6					
11	42833077610	BUSH	16					
12	42475910010	PLATE,NAME	6					
14	42836077530	SEAT	1					
15	42971141030	SEAT	1					
16	42971141100	SUPPORT	1					
17	42971140010	SUPPORT	4					
18	42835867650	NUT (SPEED NUT)	2		M6			
19	42835867640	BOLT (WITH W,SW)	2		M6X10			
20	99164408016	BOLT (M8X16,WITH WASHER)	17					
21	42836077540	STOPPER	1					
22	42835467840	SCREW,MACHINE (WITH W,SW)	2		M5X22			
23	42836077550	GROMMET	1					
24	42835717700	SEAL ASSY	1			219160		
25	42835717810	PACKING	1			219160		
100	42836073001	BOX,TOOL	1					

AT-100-4 42063461000 LOWER, TOYOTA BDG-XZU304A-TYMMB6
PX1351162-00 BOX, TOOL

100



AT-100-4 42063461000 LOWER,TOYOTA BDG-XZU304A-TYMMB6

Pos No.	Parts No	Parts Name	Qty	Unit	Technical Data	Serial No (Start)	Serial No (End)	Rem
3	42836077560	DOOR ASSY	1					
4	42835717620	GUIDE	1					
5	42835717790	BOLT (WITH W,2PIECES)	1		M10X12		219336	
6	42835797580	PLUG (HOLE)	8					
7	42833077610	BUSH	13				219336	
	42833077610	BUSH	14			219337		
8	42836077570	BOLT (WITH W,SW)	4		M10X20			
9	42836077530	SEAT	1					
10	42836077580	SEAT	1					
11	42836077590	SUPPORT	1					
12	42836077600	SUPPORT	4					
13	42835867650	NUT (SPEED NUT)	2		M6			
14	42835567670	SCREW,MACHINE (WITH W,SW)	2		M6X12			
15	99164408016	BOLT (M8X16,WITH WASHER)	14					
16	42835717670	SUPPORT	1					
17	42836077550	GROMMET	1				219336	
18	42836077540	STOPPER	1					
19	42835467840	SCREW,MACHINE (WITH W,SW)	2		M5X22			
20	42835717770	SPACER	1					
21	42835717760	PLATE	2					
23	42835717700	SEAL ASSY	1					
24	42836077620	NUT	8					
25	42836077630	COVER	1					
26	42837207530	SEAL	1			219337		
100	42836071000	BOX,TOOL	1					

AT-100-4 42063461000 LOWER,TOYOTA BDG-XZU304A-TYMMB6

Pos No.	Parts No	Parts Name	Qty	Unit	Technical Data	Serial No (Start)	Serial No (End)	Remarks	Page
1	42785390100	SUPPORT	1						
2	42785390200	SUPPORT	1						
3	90171110030	BOLT	6		M10X30				
4	90302041001	WASHER,SPRING	6		10				
5	90201781000	NUT	6		M10				
6	91810130240	FASTENER	3						
7	42786830100	CABLE	1		L=280				
8	82100001802	TUBE,CORRUGATE	1	M	10				
9	90201200800	NUT	3		M8				
10	82100002016	CLAMP	1		WR25				
11	90303070801	WASHER,PLAIN	2		8				
12	90101208020	BOLT	1		M8X20				
13	42786750100	SUPPORT	1						
16	90302040801	WASHER,SPRING	3		8				
17	82115220140	SLEEVE	1						
19	82112102005	SLEEVE	1						
20	42786830200	CABLE	1		L=280				
21	82100001801	TUBE,CORRUGATE	1	M	7				
22	90101208016	BOLT	2		M8X16				

AT-100-4 42063461000 LOWER,TOYOTA BDG-XZU304A-TYMMB6

Pos No.	Parts No	Parts Name	Qty	Unit	Technical Data	Serial No (Start)	Serial No (End)	Remarks	Pages
1	42838343000	BOX,TOOL	1				HK0274		00002
	42838343001	BOX,TOOL	1			HK0275			00003
2	42838341000	BOX,TOOL	1				HK0274		00001
	42838341001	BOX,TOOL	1			HK0275			00003
3	90101210025	BOLT	8		M10X25				
4	90302041001	WASHER,SPRING	10		10				
5	37000506590	PLATE	8		T=1.6				
6	42835710010	SUPPORT	1						
7	90101208020	BOLT	6		M8X20		HK0274		
	90101208020	BOLT	2		M8X20	HK0275			
11	42835710100	SUPPORT	1						
14	90101210020	BOLT	2		M10X20				
15	90303071001	WASHER,PLAIN	2		10				
16	42836480010	SUPPORT	1						
17	90303400801	WASHER	6		M8X19				
18	90101208025	BOLT	4		M8X25	HK0275			
41	42398701010	PLATE,CAUTION	2						
42	42835714010	PLATE (NON-SLIP)	2				219900		

CLICK HERE TO **DOWNLOAD** THE COMPLETE MANUAL

- Thank you very much for reading the preview of the manual.
- You can download the complete manual from: www.heydownloads.com by clicking the link below



- Please note: If there is no response to CLICKING the link, please download this PDF first and then click on it.

CLICK HERE TO **DOWNLOAD** THE COMPLETE MANUAL