

AT-100-4 42063400092 UPPER

PD2000170-00 SWING UNIT

PG2000204-01 BOOM UNIT

PH1000550-00 SAFETY DEVICES (MOTION CONTROLLER)

PJ3000449-00 BUCKET SYSTEM

PK2000804-01 FRAME UNIT

PO1000149-00 INDICATION PLATES

PW1000118-00 ACCESSORIES & TOOLS

PY1001051-03 OPTIONS,1

PY2000263-00 OPTION UNIT,2 (UPPER)

ASSEMBLY

CLICK HERE TO **DOWNLOAD** THE COMPLETE MANUAL

- Thank you very much for reading the preview of the manual.
- You can download the complete manual from: www.heydownloads.com by clicking the link below



- Please note: If there is no response to CLICKING the link, please download this PDF first and then click on it.

CLICK HERE TO **DOWNLOAD** THE COMPLETE MANUAL

AT-100-4 42063400092 UPPER

Pos No.	Parts No	Parts Name	Qty	Unit	Technical Data	Serial No (Start)	Serial No (End)	Remarks	Pa
1	(*****)	FRAME	1						00
2	(*****)	OUTRIGGER	1						00
3	(*****)	OPE.ASSY,CONT.VALVE	1						00
4	(*****)	PIPING,OUTRIGGER	1				219119		00
	(*****)	PIPING,OUTRIGGER	1			219120			00
5	(*****)	ELEC.ASSY (FRAME)	1						00
6	(*****)	ELEC.ASSY	1				218917		00
7	(*****)	BOOM REST	1						00
8	(*****)	TANK SUPPORT	1						00
9	(*****)	STEP	1						00

AT-100-4 42063400092 UPPER

PI1140216-00 VALVE,CHECK
PI1140227-00 VALVE,CHECK
PI1240047-00 VALVE
PI1250137-00 VALVE,COUNTERBALANCE
PI1250141-00 VALVE,COUNTERBALANCE
PJ3010302-00 BUCKET
PK1011060-02 FRAME (BUCKET)
PK1011145-00 FRAME
PK1100433-02 SWING FRAME
PK1100461-02 SWING FRAME
PK1330280-00 COVER
PK1330281-00 COVER (BOOM)
PK1330282-03 COVER (BUCKET OR BASKET)
PK1330340-00 COVER
PK1330379-01 COVER (BOOM)
PL1011117-01 OPE.ASSY,CONT.VALVE
PL1250052-00 VALVE,CONTROL
PL1250053-00 VALVE,CONTROL
PL1920037-01 OPE.ASSY (BUCKET/1-LEVER,2-OPE.:STD)
PL1920038-04 OPE.ASSY (BUCKET)
PL1920044-02 OPE.ASSY
PL1920062-03 OPE.ASSY
PL1920063-02 OPE.ASSY (BUCKET)
PM5040002-00 MAT (FOR BUCKET WITH DOOR)
PM5230001-01 MOTOR,OIL
PN1013971-00 ELEC.ASSY (BOOM/ANGLE)
PN1013972-04 ELEC.ASSY (BUCKET OR BASKET)
PN1013974-01 ELEC.ASSY (SWING FRAME)
PN1013978-01 ELEC.ASSY (FRAME)
PN1013984-00 ELEC.ASSY
PN1014421-00 ELEC.ASSY (SWING FRAME)
PN1014545-02 ELEC.ASSY (BOOM/ANGLE)
PN1060237-02 SWITCH PANEL
PN1060238-02 SWITCH PANEL
PN1060285-02 SWITCH PANEL
PN1080273-02 LAMP (WORKING/UPPER)
PN1110449-03 RELAY ASSY
PN1140153-00 SWITCH ASSY (WITH HARNESS,3 SWITCH)
PN1140155-00 SWITCH ASSY
PN1140175-00 SWITCH ASSY (WITH HARNESS,3 SW)
PN1140205-00 SWITCH ASSY
PN1450060-01 HARNESS
PN1450061-01 HARNESS
PO1013121-01 PLATE ASSY,NAME (HYDRAULIC OIL)
PO1014426-03 PLATE ASSY,NAME (UPPER CONTOROLS)
PO1014634-01 PLATE ASSY,NAME (OIL/COLD DISTRICT)
PO1014682-00 PLATE ASSY,NAME
PO1014683-00 PLATE ASSY,NAME (SPECIFICATION)
PO1014917-01 PLATE ASSY,NAME (UPPER CONTOROLS)
PO1014920-01 PLATE ASSY,NAME
PO1014921-01 PLATE ASSY,NAME (SPECIFICATION)
PO1015007-01 PLATE ASSY,NAME
PO5010003-03 OPE.ASSY
PO5270041-00 OUTRIGGER ASSY
PO5270042-00 OUTRIGGER ASSY
PP5450004-00 PUMP,GREASE (400CC)
PS5530090-01 SWITCH ASSY (WITH HARNESS,3 SW)
PS5530450-00 SWITCH ASSY
PV1020305-02 VALVE,REMOTE CONTROL
PV1300019-00 CABLE
PV1300020-00 CABLE (3 POLE)
PV5010005-00 VALVE ASSY (JACK CONTROL)
PV5070007-00 VALVE ASSY,COUNTERBALANCE
PV5140017-00 VALVE ASSY,RELIEF

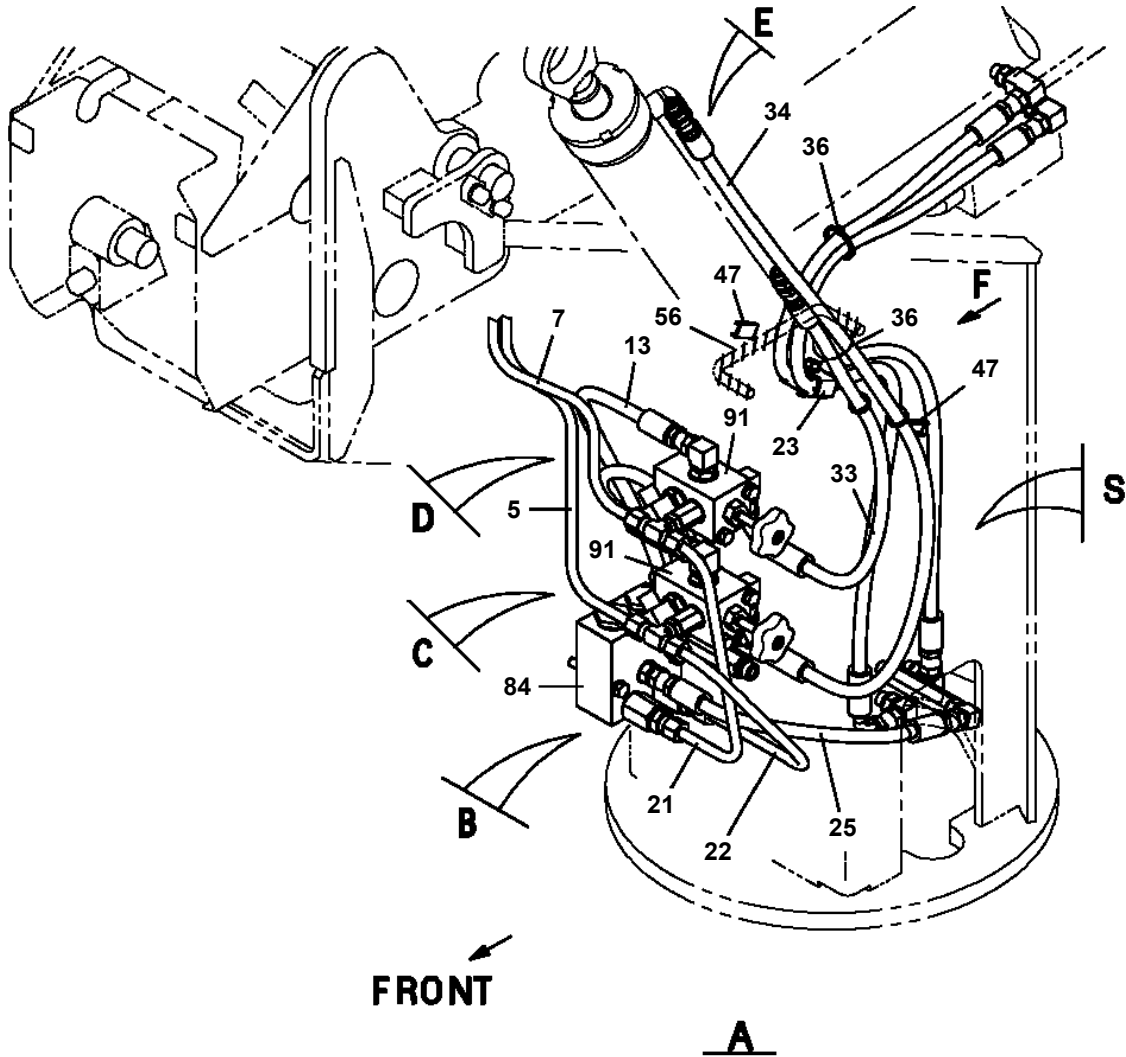
AT-100-4 4206340092 UPPER

Pos No.	Parts No	Parts Name	Qty	Unit	Technical Data	Serial No (Start)	Serial No (End)	Remarks
2	90101208025	BOLT	3		M8X25			
3	90302040801	WASHER,SPRING	3		8			
4	42442803000	BRUSH ASSY	1					
5	37002458030	HOSE	1		L=890			
6	37002467900	HOSE	2		L=1080			
7	37002439150	HOSE	1		L=1050			
8	91002801100	O-RING	1		1B P11			
9	91002801400	O-RING	4		1B P14			
10	37002454970	HOSE	1		L=1100			
31	42443282100	BODY	1					
32	42443282200	CORE	1					
33	42442802300	PLATE	1					
34	42630461400	FLANGE	1					
35	90172108016	BOLT,HEXAGON SOCKET	6		M8X16			
36	91531208000	PACKING	2					
37	91100308000	RING,SEAL	5					
38	80720105020	PIN,SPRING	1		5X20			
39	31631121300	SUPPORT	1					
40	90171110020	BOLT	4		M10X20			
41	90302041001	WASHER,SPRING	4		10			
101	42443281000	JOINT,ROTARY	1					
102	90171112028	BOLT	2		M12X28			
103	90302041201	WASHER,SPRING	2		12			
104	42442800100	PLATE	1					

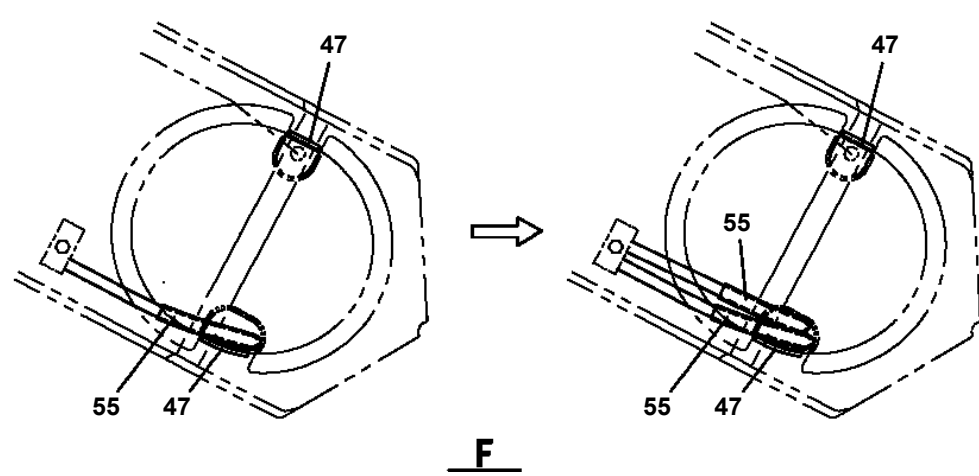
AT-100-4 42063400092 UPPER
PB1380254-00 POWER SUPPLY (100V2POLES & WORKING LAMP)

指示番号 KEY NO.	ハワーサプライ (100V 2キヨク & サキ ヨウトウ/アツハー) POWER SUPPLY (100V 2POLES & WORKING LAMP/UPPER)
1	ハワーサプライ (ハケット) POWER SUPPLY (BUCKET)
2	ハワーサプライ (ロー) POWER SUPPLY (LOWER)

**AT-100-4 42063400092 UPPER
PB1400431-07 PIPING,UPPER**



FRONT



AT-100-4 42063400092 UPPER

Pos No.	Parts No	Parts Name	Qty	Unit	Technical Data	Serial No (Start)	Serial No (End)	Remarks
1	42614001200	SUPPORT	1					
2	36035850000	CYLINDER,JACK	1					
3	37000176340	PIN	1					
4	80136380050	PIN,SPLIT	2		8X50			
5	90172108055	BOLT,HEXAGON SOCKET	4		M8X55			
6	36625740001	VALVE,CHECK	1					
8	91002801100	O-RING	2		1B P11			
9	80400160127	JOINT	1					
10	80320020075	FITTING	2		KUF12-020N			
11	37002451680	HOSE	1		L=650			
12	37002444410	HOSE	1		L=650			
13	37000714630	CLAMP ASSY	1		12X2			
14	42611720300	FLOAT	1					
15	90172110020	BOLT,HEXAGON SOCKET	2		M10X20			
17	42614001010	PLATE	1					
18	91803601200	CLIP	1		D=90-120			
28	37000924410	JOINT	1		PF1/4-PF1/4			
29	42645290500	ORIFICE	1		1.6			
30	37000572590	PLATE	1					
31	36672630000	FILTER (WITH O-RING)	1					
54	91002801100	O-RING	1		1B P11			
100	42614001002	OUTRIGGER	1					

AT-100-4 4206340092 UPPER

Pos No.	Parts No	Parts Name	Qty	Unit	Technical Data	Serial No (Start)	Serial No (End)	Remarks	Pages
1	36035850100	CYLINDER	1						
2	36035770200	ROD	1						
3	36035290300	PISTON	1						
4	91684007501	PACKING	2						
5	91431206201	RING,BACKUP	2						
6	91002903000	O-RING	1		1B G30				
7	91332207500	BEARING,PLAIN	2						
8	90202203000	NUT	1		M30				
9	80612110680	RING,RITAINING	1		AR68				
10	80801006030	BEARING,PLAIN	1						
11	36034979510	COVER,ROD	1						
12	91694006000	PACKING	1						
13	91410206002	RING,BACKUP	1						
14	91002908000	O-RING	1		1B G80				
15	91660006001	SEAL,DUST	1						
16	91002907500	O-RING	1		1B G75				
17	90303073001	WASHER,PLAIN	1		30				
18	90302043001	WASHER,SPRING	1		30				
41	36035299900	PACKING SET	1		60X75				
100	36035850000	CYLINDER,JACK	1						

AT-100-4 4206340092 UPPER

Pos No.	Parts No	Parts Name	Qty	Unit	Technical Data	Serial No (Start)	Serial No (End)	Remarks	Pages
1	42321151102	COVER	1						
2	42321112201	COVER	1						
3	82464122900	HINGE	2						
4	90190204010	BOLT	8		M4X10				
5	90303520401	WASHER,PLAIN	8		4		HK0761		
	90303520401	WASHER,PLAIN	12		4	HK0762			
6	90302510401	WASHER,SPRING	8		4				
7	90201500400	NUT	8		M4				
8	82460025402	CATCH	1						
9	90302040501	WASHER,SPRING	4		5				
10	80175805010	SCREW,MACHINE	4		M5X10				
11	90201200500	NUT	4		M5				
12	42875640010	PLATE	4		T=0.5	HK0762			
13	80172304008	SCREW,MACHINE	2		M4X8				
14	90201200400	NUT	1		M4				
15	90240200400	NUT,CAP	1		M4				
16	90303070401	WASHER,PLAIN	2		4				
17	42321112010	CHAIN	1						
100	42321151001	COVER ASSY	1						

AT-100-4 42063400092 UPPER

Pos No.	Parts No	Parts Name	Qty	Unit	Technical Data	Serial No (Start)	Ser
1	36081325090	RING,SNAP	1				
2	36081325010	SPACER	1				
3	36081325080	SHIM SET	1				
4	36081325110	BEARING,TAPER ROLLER	1				
5	36081325020	WORM	1				
6	36081325120	BEARING,TAPER ROLLER	1				
7	36080755040	GAUGE,OIL	1				
8	36080235080	WASHER,SEAL	1		M16		
9	80316090060	PLUG	1		KKT PT3/8		
12	91280431931	SEAL,OIL	1				
13	36081325050	CASE,GEAR	1				
14	36081325130	BEARING,BALL(METAL SHIELD TYPE 6210ZZC3)	1				
15	36081325140	BEARING,BALL (RUBBER SEAL TYPE 6210LLU)	1				
16	36080495050	BOLT,SEMS (M10X25,WITH WASHER)	9				
17	36080505080	KEY	1				
18	36081325060	WHEEL,WORM	1				
19	36081325070	CASE,GEAR	1				
20	80500006209	BEARING,BALL	1				
21	80601110450	RING,RITAINING	1		S45		
22	36080015000	PIN	2				
23	82400000478	BREATHER	1				
31	36081325500	GEAR,SPUR	1				
50	36081320000	REDUCER,SWING SPEED	1				

AT-100-4 4206340092 UPPER

Pos No.	Parts No	Parts Name	Qty	Unit	Technical Data	Serial No (Start)	Serial No (End)	Remarks	P
1	82456101000	NIPPLE,GREASE	1		A-PT1/8		HK0228		
	82455106000	NIPPLE,GREASE	1		A-M6F FE	HK0229			
2	80728105040	PIN,SPRING	1				HK0021		
3	91302209000	BEARING,PLAIN	2						
4	91684009001	PACKING	2						
5	91411207502	RING,BACKUP	2						
6	91002903500	O-RING	1		1B G35				
7	36026894000	PISTON	1				HK0021		
	36027802000	PISTON	1			HK0022			
8	36027539510	ROD ASSY	1				HK0021		
	36027809520	ROD ASSY	1			HK0022			
9	36027809510	CYLINDER ASSY	1				219898		
	36027809511	CYLINDER ASSY	1			219899	HK0228		
10	80612110720	RING,RITAINING	1		AR72				
11	37000403650	BEARING,PLAIN	1						
12	36026899530	COVER,ROD	1						
13	91002909500	O-RING	1		1B G95				
14	91694106500	PACKING	1						
15	91410206503	RING,BACKUP	1						
16	91660006500	SEAL,DUST	1						
17	80622000650	RING,RITAINING	1		SP65				
18	80530000114	BEARING,SPHERICAL	1						
19	80820004040	BEARING,PLAIN	2						
21	91002910500	O-RING	1		1B G105				
22	82400000459	CAP	1				HK0228		
23	36027809512	CYLINDER ASSY	1			HK0229			
24	90730008120	SCREW,SET	1		M8X12	HK0022			
50	36026899900	PACKING SET	1		65X90				
100	36027800000	CYLINDER,ELEVATING	1						

AT-100-4 4206340092 UPPER

Pos No.	Parts No	Parts Name	Qty	Unit	Technical Data	Serial No (Start)	Serial No (End)	Remarks	P
1	42202409510	BOOM,BASE	1						
2	42202402100	BOOM,2ND	1						
	42202622100	BOOM,2ND	1			218513	218512		
3	42202403100	BOOM,TOP	1						
5	82455106000	NIPPLE,GREASE	6		A-M6F FE				
6	90171110032	BOLT	4		M10X32				
7	37000112420	PIN	2						
8	80602110300	RING,RITAINING	7		R30				
9	80184306012	SCREW,MACHINE	6		M6X12				
10	37002015140	PLATE,SLIDE	2						
11	37000584990	PLATE	N		T=0.8				
12	37002005260	PLATE,SLIDE	4						
13	42200484100	PLATE	N		T=0.8				
14	37002016220	PLATE,SLIDE	2		T=12				
16	37002015090	PLATE,SLIDE	2						
17	37000584970	PLATE	N		T=0.8				
18	90174110020	BOLT	4		M10X20				
19	42202400010	SUPPORT	1						
20	37000585020	PLATE	N		T=0.8				
21	90171110018	BOLT	4		M10X18				
22	37000181820	PIN	1						
23	42202400050	PLATE	2						
24	42201520020	RETAINER	2						
25	90171110016	BOLT	4		M10X16				
26	90302041001	WASHER,SPRING	24		10				
28	42202400160	PLATE	N		T=0.8				
29	42202400030	PLATE	4						
30	37002016260	PLATE,SLIDE	4						
31	37000584960	PLATE	8		T=0.6				
33	37000136510	PIN	4						
34	90171108016	BOLT	4		M8X16				
35	37002015250	PLATE,SLIDE	2						
36	37000573190	PLATE	N		T=1.0				
37	90101206016	BOLT	4		M6X16				
39	31631222000	CAP	4						
40	37000187090	PIN	1						
41	37000558530	PLATE	2		T=9				
42	37001922020	ROPE,WIRE (KOKOKU)	2		8X3.345M				
	37001922010	ROPE,WIRE (TESAC)	2		8X3.345M				
43	37002016270	PLATE,SLIDE	2		T=25				
44	37000187120	PIN	1						
46	90302040601	WASHER,SPRING	4		6				
47	37001922050	ROPE,WIRE (KOKOKU)	2		8X6.15M				
	37001922040	ROPE,WIRE (TESAC)	2		8X6.15M				
48	42200810020	PIN	1						
49	37000401810	BEARING,PLAIN	2						
50	80136360050	PIN,SPLIT	1		6X50				
51	90238403008	NUT,CASTLE	1		M30X2				
52	90303073001	WASHER,PLAIN	1		30				
53	37000136530	PIN	2						
54	80601110200	RING,RITAINING	6		S20				
55	37000155030	PIN	2						
56	42202400140	PLATE	N		T=0.8				
57	42202400060	ROLLER	2						
58	42202400070	PLATE	2						
59	37000187080	PIN	2						
60	37000187050	PIN	1						
61	90303071001	WASHER,PLAIN	16		10				
62	90302040801	WASHER,SPRING	12		8				
63	90202481200	NUT	8		M12				
64	90171110030	BOLT	4		M10X30				
66	42202400130	PLATE	N		T=0.5				
67	37001009180	SHEAVE ASSY	2						

AT-100-4 42063400092 UPPER

Pos No.	Parts No	Parts Name	Qty	Unit	Technical Data	Serial No (Start)	Serial No (End)	Remark
1	36132340000	DETECTOR,BOOM LENGTH	1					
2	42350071000	ROLLER ASSY	1					
3	42353100600	ROLLER ASSY	1					
4	90303070601	WASHER,PLAIN	1		6			
5	80620210060	PIN,SNAP	1					
6	91810132530	FASTENER	2					
7	90101206012	BOLT	4		M6X12			
8	90302040601	WASHER,SPRING	4		6			
31	42360030040	SUPPORT	1					
32	37001102350	ROLLER	2					
33	37000302060	SPACER	2		L=11.2			
35	90201201000	NUT	2		M10			
36	90302041001	WASHER,SPRING	2		10			
37	90303071001	WASHER,PLAIN	2		10			
41	42351120200	SUPPORT	1					

AT-100-4 42063400092 UPPER

Pos No.	Parts No	Parts Name	Qty	Unit	Technical Data	Serial No (Start)	Serial No (End)	Rema
2	36190191060	BOARD,CIRCUIT	1					
3	36190191070	BOARD,CIRCUIT	1				219179	
4	36190185150	SEAT	1					
5	36190185050	BOX	1					
6	36190185060	PANEL ASSY	1					
7	36190185070	FITTING (SET)	1					
8	36190185080	COVER (SET)	1					
9	36190195020	STAY SET	1					
10	36190185100	FRAME ASSY	1					
11	36191045020	HARNESS ASSY	1					
12	36190185121	HARNESS ASSY	1					
14	36190185160	HARNESS	1					
31	36192545013	BOARD,CPU (WITH DATA)	1				219237	
100	36192540000	MOTION CONTROLLER (AMC)	1					

AT-100-4 42063400092 UPPER

Pos No.	Parts No	Parts Name	Qty	Unit	Technical Data	Serial No (Start)	Serial No (End)	Remarks	Pages
100	42355780100	HARNESS	1						

AT-100-4 42063400092 UPPER

Pos No.	Parts No	Parts Name	Qty	Unit	Technical Data	Serial No (Start)	Serial No (End)	Remarks	Pages
100	42501161010	HARNESS	1						

CLICK HERE TO **DOWNLOAD** THE COMPLETE MANUAL

- Thank you very much for reading the preview of the manual.
- You can download the complete manual from: www.heydownloads.com by clicking the link below



- Please note: If there is no response to CLICKING the link, please download this PDF first and then click on it.

CLICK HERE TO **DOWNLOAD** THE COMPLETE MANUAL

AT-100-4 42063400092 UPPER

Pos No.	Parts No	Parts Name	Qty	Unit	Technical Data	Serial No (Start)	Serial No (End)	Remarks	P
5	36603335010	SPRING	2						
6	36601615020	SHIM	N						
7	36601615030	PLUG	2						
10	36606425010	SPRING	2						
11	36601615050	PLUG	2						
21	36606425020	SEAL KIT (REPAIR KIT)	1						
100	36606410000	VALVE,RELIEF	1						

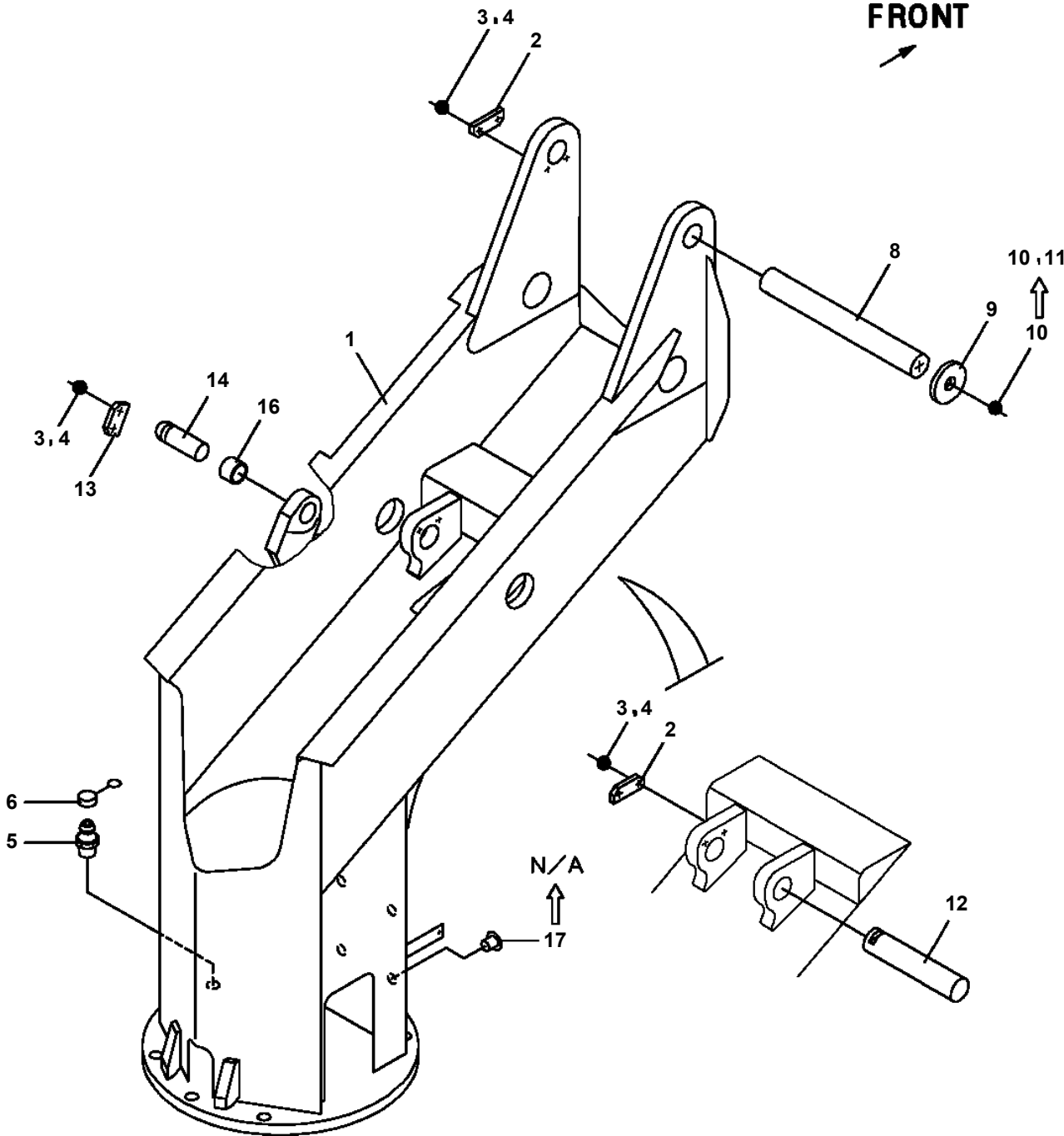
AT-100-4 42063400092 UPPER

Pos No.	Parts No	Parts Name	Qty	Unit	Technical Data	Serial No (Start)	Serial No (End)	Remarks	Pages
1	36625765030	BODY ASSY	1						
4	37001201680	SPRING	1						
5	36625755040	PLUG	1						
6	91002801400	O-RING	1		1B P14				
7	36625765020	PISTON	1						
8	80316070120	PLUG	1		G1				
9	91002802900	O-RING	1		1B P29				
100	36625760000	VALVE,CHECK	1						

AT-100-4 42063400092 UPPER

Pos No.	Parts No	Parts Name	Qty	Unit	Technical Data	Serial No (Start)	Serial No (End)	Remark
3	91002801400	O-RING	3		1B P14			
7	36601665020	SPRING	1					
10	91001001000	O-RING	1		1A S10			
11	36601665030	SPRING	1					
13	91002803400	O-RING	1		1B P34			
14	36601665050	O-RING	1		P25			
15	91410002500	RING,BACKUP	1		P25			
18	91002802600	O-RING	1		1B P26			
19	91001301600	O-RING	1		WP16			
20	91002801000	O-RING	1		1B P10			
21	91410001000	RING,BACKUP	1		P10			
50	36605570000	VALVE,COUNTERBALANCE	1					

**AT-100-4 42063400092 UPPER
PK1100461-02 SWING FRAME**



AT-100-4 4206340092 UPPER

Pos No.	Parts No	Parts Name	Qty	Unit	Technical Data	Serial No (Start)	Serial No (End)	Remarks	Pages
1	42321151100	COVER	1				219085		
	42321151101	COVER	1			219086			
2	42321112200	COVER	1				219085		
	42321112201	COVER	1			219086			
3	82464122900	HINGE	2						
4	90190204010	BOLT	8		M4X10				
5	90303520401	WASHER,PLAIN	8		4				
6	90302510401	WASHER,SPRING	8		4				
7	90201500400	NUT	8		M4				
8	82460025402	CATCH	1						
9	90302040501	WASHER,SPRING	4		5				
10	80175805010	SCREW,MACHINE	4		M5X10				
11	90201200500	NUT	4		M5				
13	80172304008	SCREW,MACHINE	2		M4X8				
14	90201200400	NUT	1		M4				
15	90240200400	NUT,CAP	1		M4				
16	90303070401	WASHER,PLAIN	2		4				
17	42321112010	CHAIN	1						
100	42321151000	COVER	1						

AT-100-4 42063400092 UPPER

Pos No.	Parts No	Parts Name	Qty	Unit	Technical Data	Serial No (Start)	Serial No (End)
1	(*****)	OPE.ASSY (BUCKET)	1				218917
	(*****)	OPE.ASSY (BUCKET)	1			218918	
2	(*****)	PLATE ASSY,NAME (UPPER CONTROLS)	1				218917
	(*****)	PLATE ASSY,NAME (UPPER CONTROLS)	1			218918	

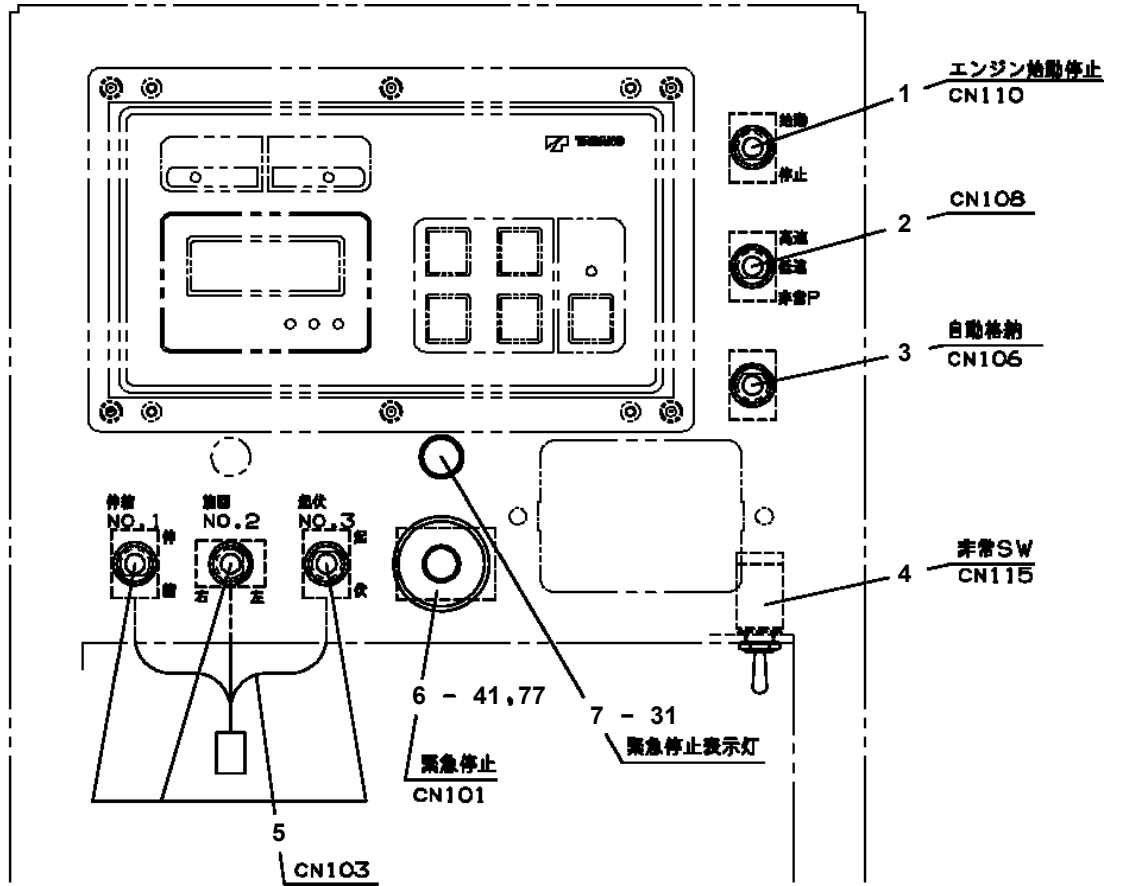
AT-100-4 4206340092 UPPER

Pos No.	Parts No	Parts Name	Qty	Unit	Technical Data	Serial No (Start)	Serial No (End)
1	42332511120	PANEL	1				
2	42332503000	OPE.ASSY	1				219663
	42332503001	OPE.ASSY	1			219664	
3	42809631200	LAMP ASSY (RED,WITH HARNESS)	1				
4	42332521300	SWITCH ASSY (WITH HARNESS)	1				
5	82100002009	CLAMP	1		WRC12		
6	42332531300	SWITCH ASSY (WITH HARNESS,3 SW)	1				HK0072
	42332531301	SWITCH ASSY (WITH HARNESS,3 SW)	1			HK0073	
7	80192488020	SCREW,MACHINE	12		M8X20		
8	42332511400	GUARD	1				
9	82199514013	CAP	3				
10	82199504017	NUT	3		AT-401N		
11	37000714020	CLAMP ASSY	1		12X2		
12	82100002012	CLAMP	1		WR18		
13	90280200600	NUT,FLANGE	1		M6		
14	91810130240	FASTENER	10				
15	42332521400	HARNESS	1				
16	90303070601	WASHER,PLAIN	1		6	219248	
17	42350250150	PLUG (6 POLES,MALE)	1				
18	42350250090	PLUG (4 POLES,MALE)	1				
19	42350250080	PLUG (3 POLES,MALE)	2				
20	82100002010	CLAMP	1		WR15	219248	
21	90101206016	BOLT	1		M6X16	219248	
22	90302040601	WASHER,SPRING	1		6	219248	
23	90201200600	NUT	1		M6	219248	
24	42900001200	COVER	1			219298	
29	42355641010	COVER	1				
41	42355641210	BUTTON	1				

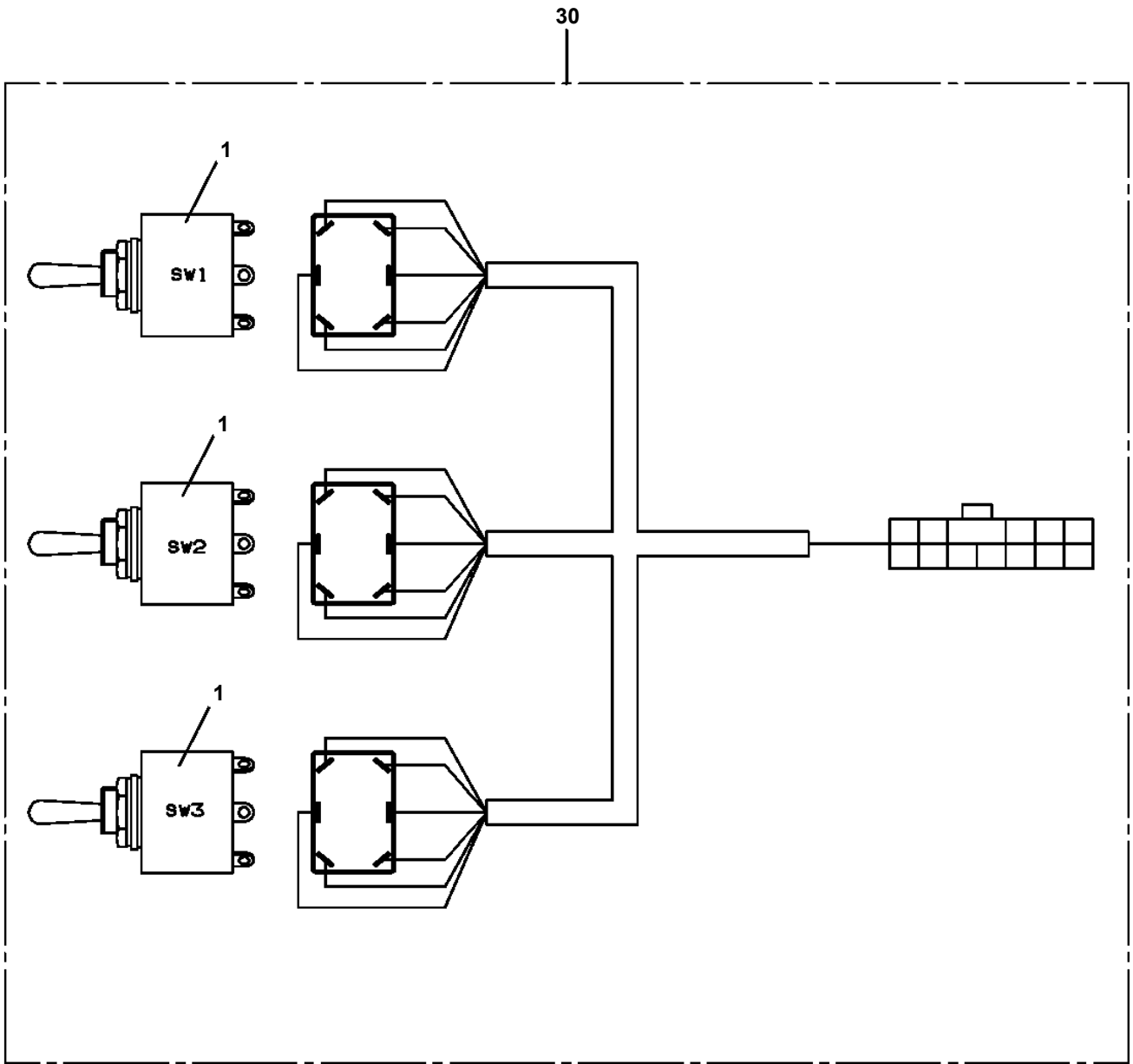
AT-100-4 4206340092 UPPER

Pos No.	Parts No	Parts Name	Qty	Unit	Technical Data	Serial No (Start)	Serial No (End)	Remarks	Page
1	42355810200	COVER	1						
2	90101208014	BOLT	4		M8X14				
3	90303070801	WASHER,PLAIN	4		8		218393		
	90303070801	WASHER,PLAIN	6		8	218394			
4	90302040801	WASHER,SPRING	5		8				
5	90201200800	NUT	1		M8				
6	91850400601	CLAMP	4						
7	91810132530	FASTENER	13				218373		
	91810132530	FASTENER	11			218374			
8	82100001806	TUBE,CORRUGATE	1	M	22				
9	82100002015	CLAMP	1		WRC20				
10	82100002052	CLAMP	2						
11	90201200600	NUT	2		M6				
12	90302040601	WASHER,SPRING	2		6				
13	82400000347	GROMMET	1		L=320				
32	82400000200	GROMMET	1		KG-012,L=250				

**AT-100-4 42063400092 UPPER
PN1060237-02 SWITCH PANEL**

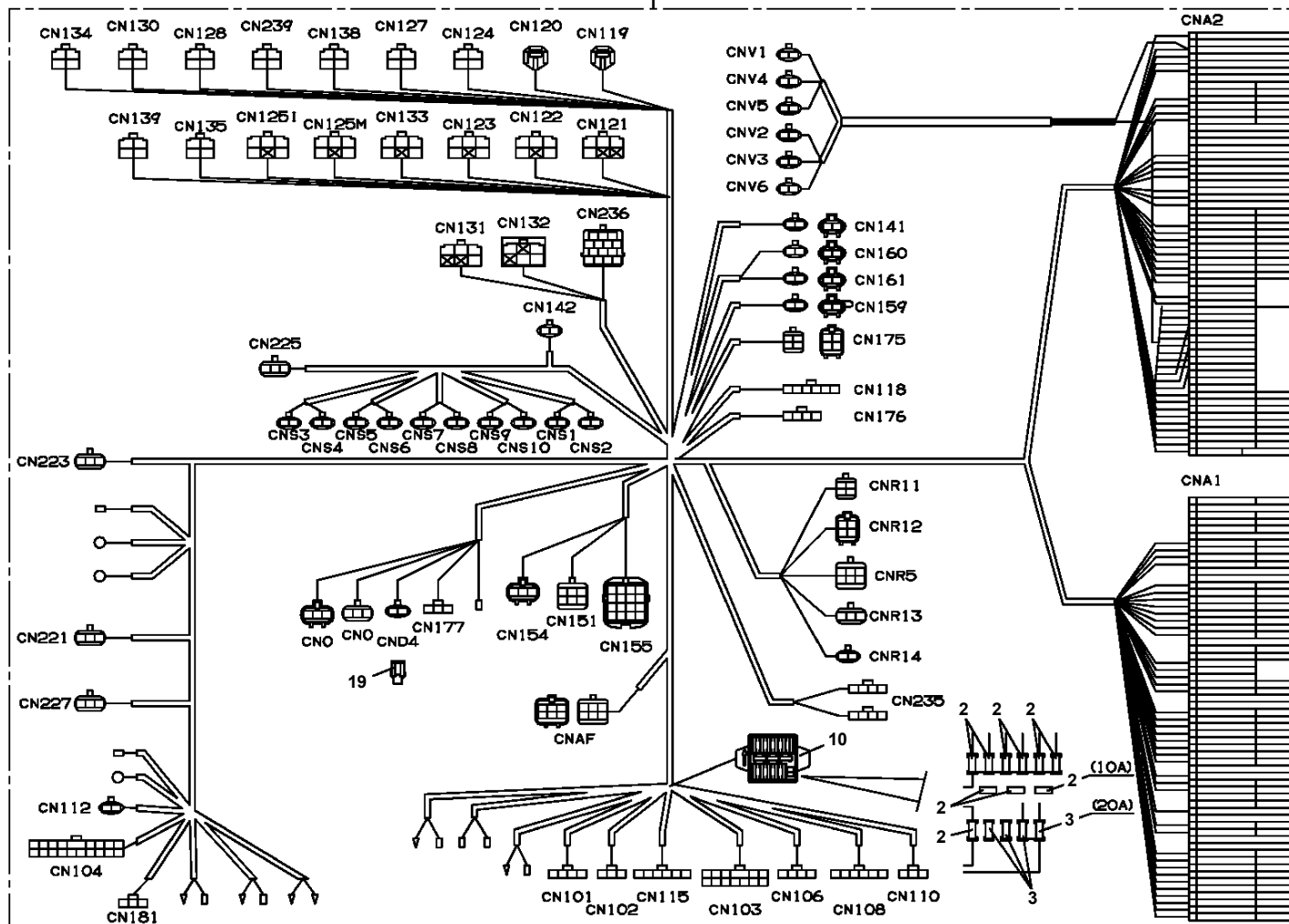


**AT-100-4 42063400092 UPPER
PN1140153-00 SWITCH ASSY (WITH HARNESS,3 SWITCH)**



AT-100-4 42063400092 UPPER PN1450061-01 HARNESS

100



AT-100-4 42063400092 UPPER

Pos No.	Parts No	Parts Name	Qty	Unit	Technical Data	Serial No (Start)	S
1	37002209540	PLATE,NAME (TADANO)	2				
3	90451700100	SCREW,TAPPING	4		M4X6.4		
4	37002212700	PLATE,NAME	1				
5	42397401010	PLATE,NAME (FUSE)	1				
6	42397401020	PLATE,CAUTION (EMERGENCY SWITCH)	1				
7	42394441050	PLATE,CAUTION	1				
8	42397401030	PLATE,CAUTION	1				
9	42397401040	PLATE,NAME	1				
10	42397401050	PLATE,NAME (EMERGENCY STOP OPERATION)	1				
11	42392000150	PLATE (NON-SLIP)	1				
12	42391720040	PLATE,CAUTION	1				
13	42397401060	PLATE,CAUTION (BUCKET HORIZONTAL ADJUST)	1				
16	34393926540	PLATE (NON-SLIP)	2				
18	42393312020	PLATE (NON-SLIP)	2				
19	42397401080	PLATE,CAUTION (PREOPERATION CHECK)	1				
20	34393926550	PLATE (NON-SLIP)	3				
21	42834433300	PLATE (NON-SLIP)	3				
22	12117140000	PLATE,NAME (GREASE)	11				
23	42392350070	PLATE,CAUTION	1				
26	37002216230	PLATE,NAME (HIGH/LOW)	1				
27	42391163120	PLATE,NAME	2				
28	37002226530	PLATE,NAME	1				
29	42396111040	PLATE (NON-SLIP)	1				
30	42396162020	PLATE,NAME	1				
	42398131030	PLATE,NAME	1			218487	21
31	42331782100	PLATE,NAME	1				
32	42331782090	PLATE,NAME	1				
33	42331782080	PLATE,NAME	1				
34	42397401090	PLATE,NAME	1				
35	42396162040	PLATE,NAME	1				
37	42475910010	PLATE,NAME	5				

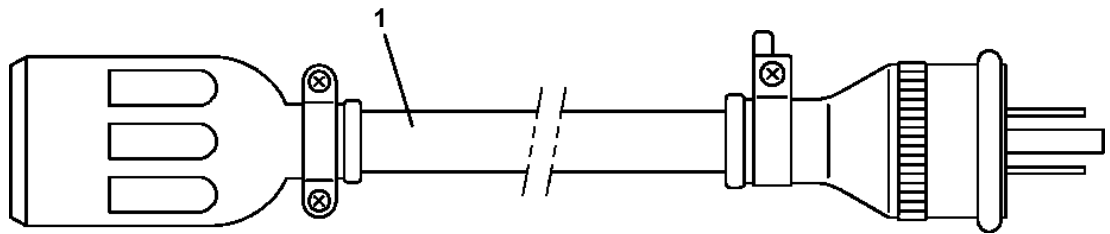
AT-100-4 42063400092 UPPER

Pos No.	Parts No	Parts Name	Qty	Unit	Technical Data	Serial No (Start)	Serial No (End)	Remarks
1	42393740010	PLATE,NAME (AT-100TG)	1					
2	37002202030	PLATE,NAME	2					
3	42394551010	PLATE,CAUTION	2					
4	42397672020	PLATE,NAME	1					
5	42397402030	PLATE,NAME	2					
6	42396162170	PLATE,NAME (AMC)	1					
8	42398132020	PLATE,NAME	1					

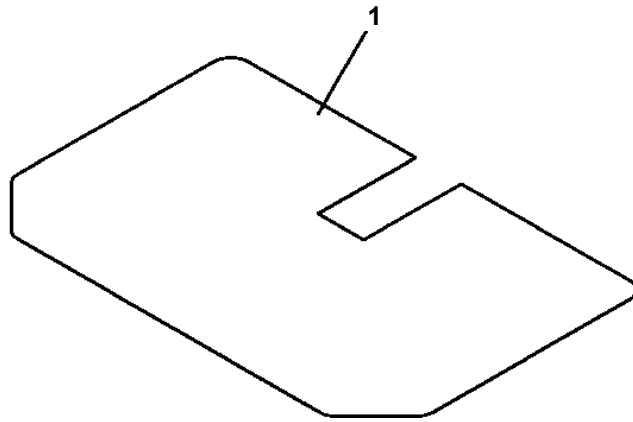
AT-100-4 42063400092 UPPER

Pos No.	Parts No	Parts Name	Qty	Unit	Technical Data	Serial No (Start)	Serial No (End)	Remarks
1	37004100040	PUMP,GREASE (DOMESTIC)	1					

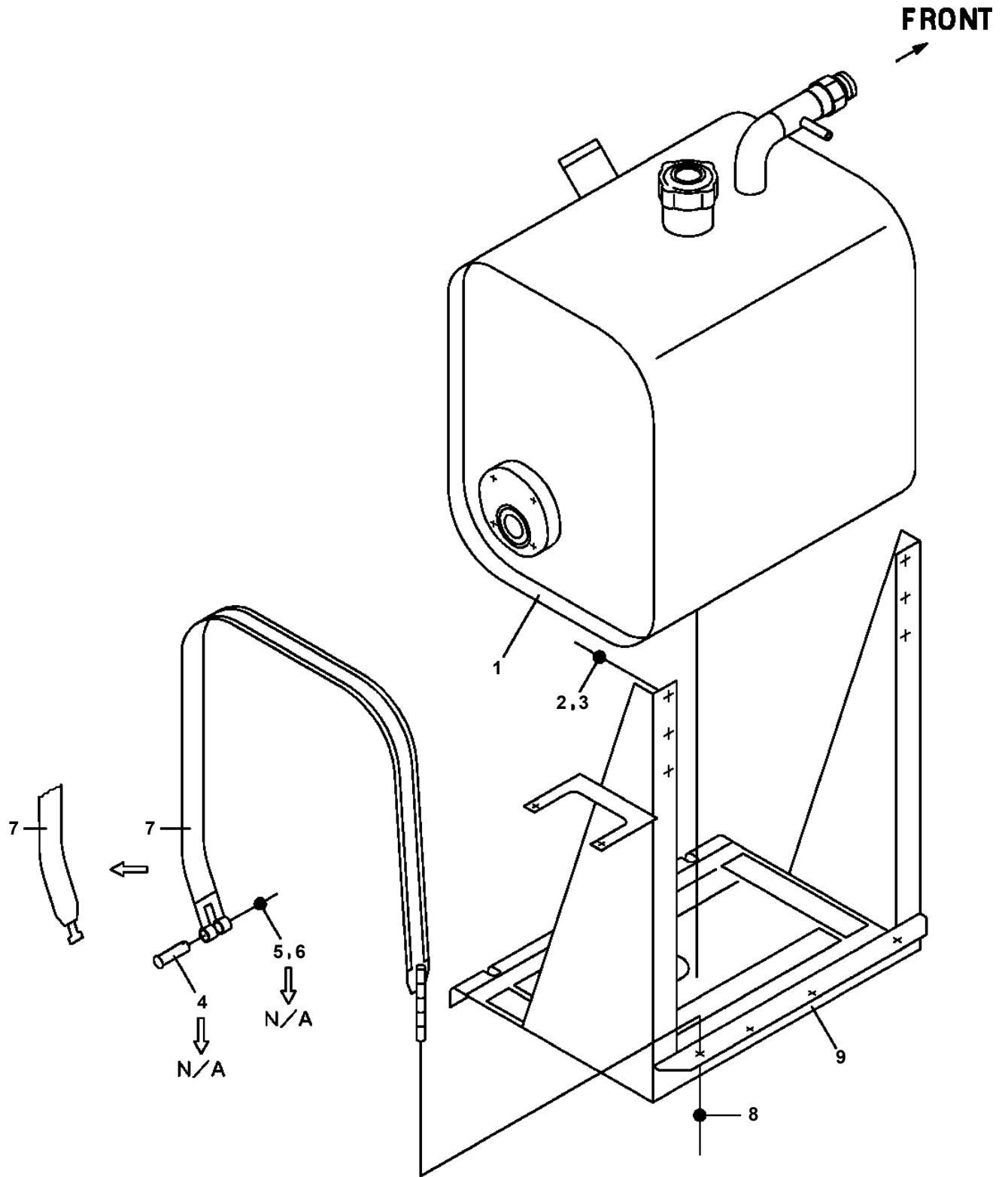
**AT-100-4 42063400092 UPPER
PV1300020-00 CABLE (3 POLE)**



**AT-100-4 42063400092 UPPER
PW1010452-00 ACCESSORIES (MAT)**



**AT-100-4 42063400092 UPPER
PX1100281-01 TANK SUPPORT**



CLICK HERE TO **DOWNLOAD** THE COMPLETE MANUAL

- Thank you very much for reading the preview of the manual.
- You can download the complete manual from: www.heydownloads.com by clicking the link below



- Please note: If there is no response to CLICKING the link, please download this PDF first and then click on it.

CLICK HERE TO **DOWNLOAD** THE COMPLETE MANUAL