

TM-ZR500 31094010711A FRAME/STD,RAC,NABI HOOK
PB000040-02 SYSTEM (ZR500,DOMESTIC)
ASSEMBLY

CLICK HERE TO **DOWNLOAD** THE COMPLETE MANUAL

- Thank you very much for reading the preview of the manual.
- You can download the complete manual from: www.heydownloads.com by clicking the link below



- Please note: If there is no response to CLICKING the link, please download this PDF first and then click on it.

CLICK HERE TO **DOWNLOAD** THE COMPLETE MANUAL

TM-ZR500 31094010711A FRAME/STD,RAC,NABI HOOK
PB1020012-00 PUMP ASSY (SELECTION)

- PUMP ASSY
- ポンプASSYの選定

指示番号 key No	PUMP MODEL ポンプ型式番号	RUNNING DIRECTION 回転方向
1	SGP2-44D2H9-L639	COUNTERCLOCKWISE 左

[NOTE]

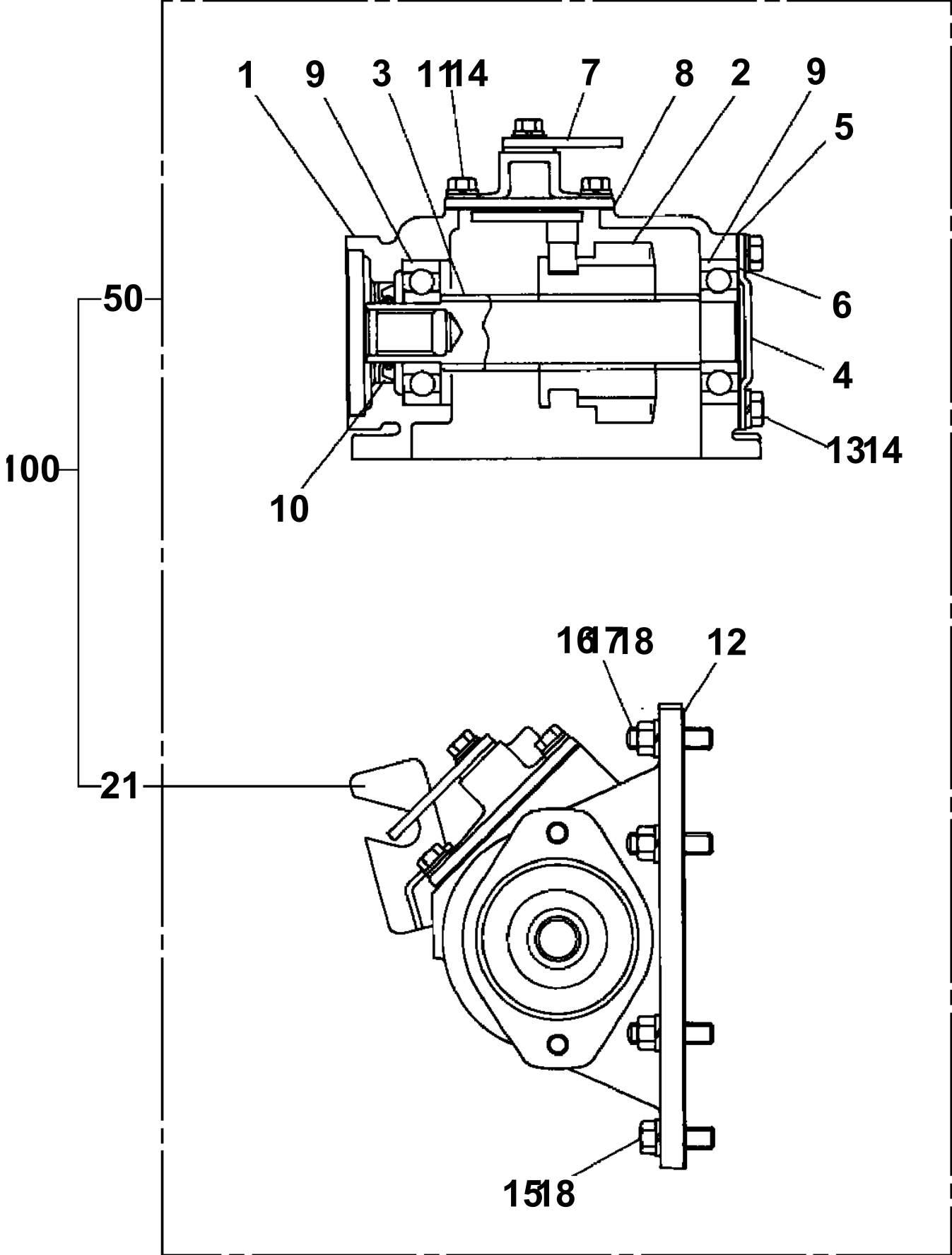
(1) PUMP MODEL NOS. ARE PUNCHED
ON PUMP NAMEPLATE.

(2) THE PUMP RUNNING DIRECTION
IS VIEWED FROM THE SHAFT
TOWARD THE PUMP.

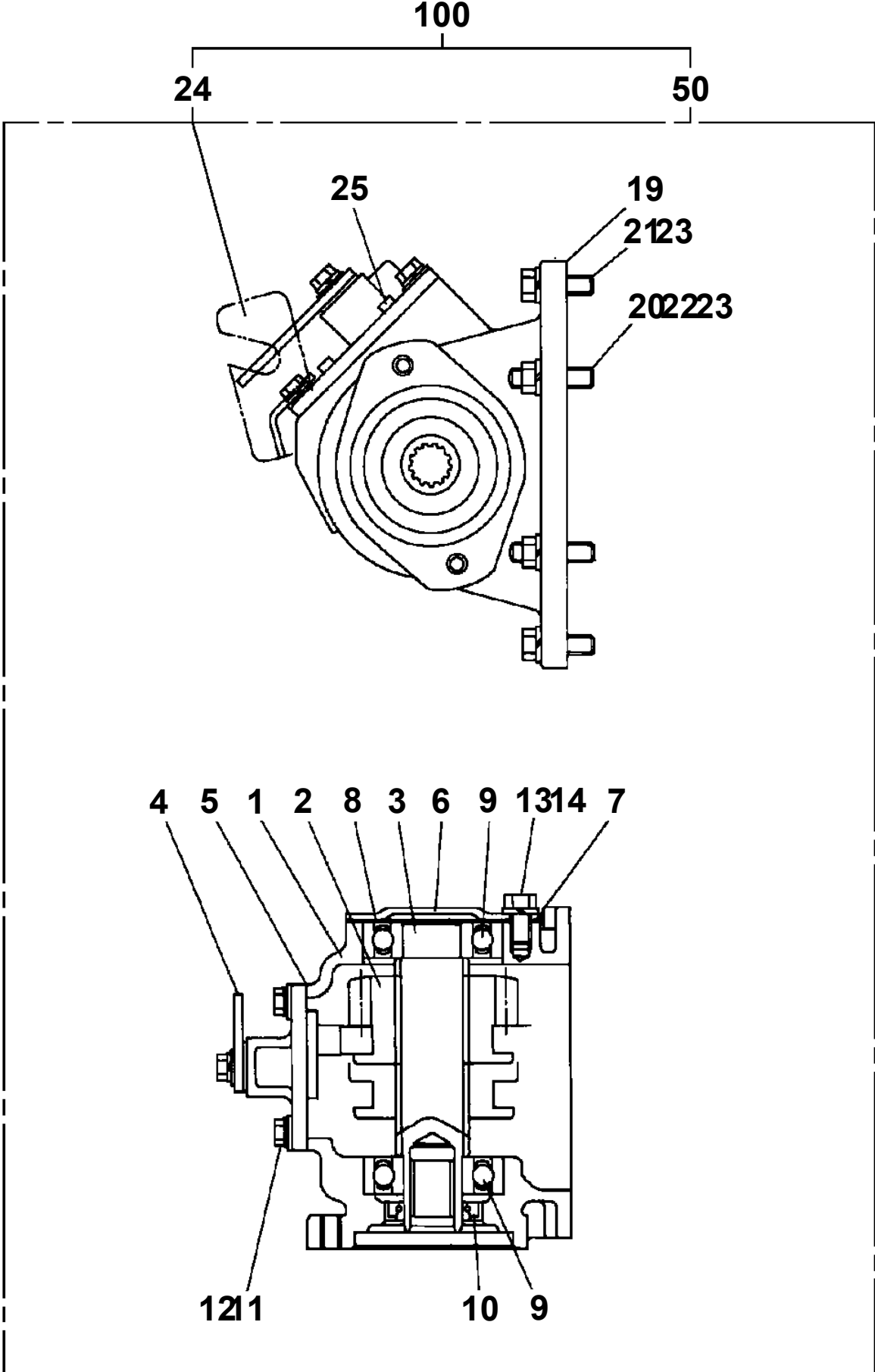
[注 意]

- (1) ポンプ型式番号はポンプ本体の銘板に打刻しています。
- (2) ポンプの回転方向はポンプの軸端から見ての回転方向です。

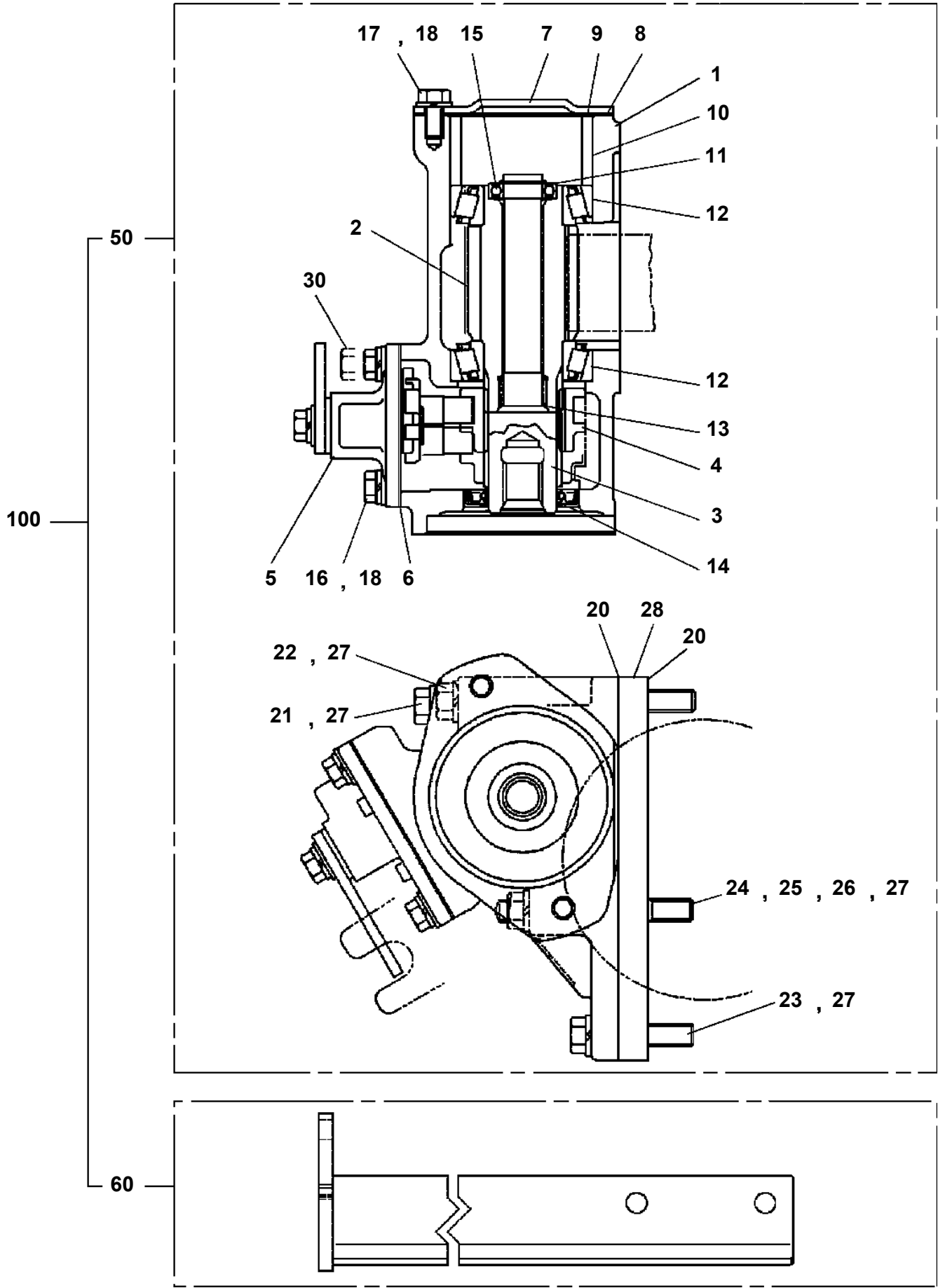
TM-ZR500 31094010711A FRAME/STD,RAC,NABI HOOK
PB1030116-01 POWER TAKE OFF



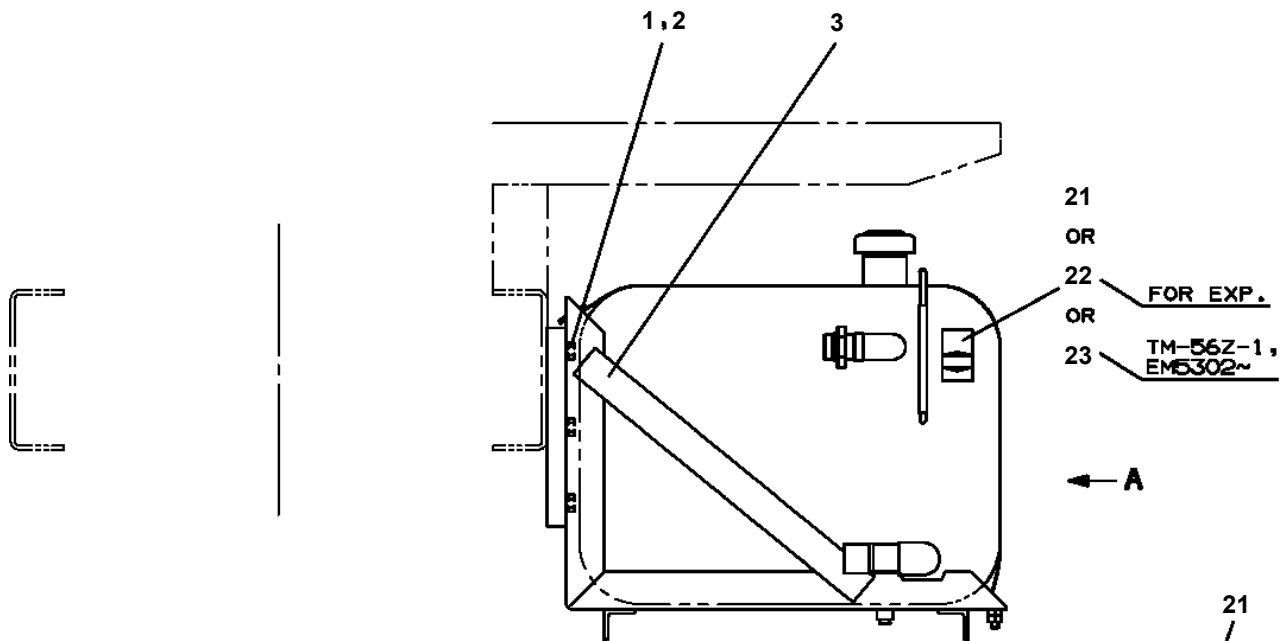
TM-ZR500 31094010711A FRAME/STD,RAC,NABI HOOK
PB1030141-01 POWER TAKE OFF



TM-ZR500 31094010711A FRAME/STD,RAC,NABI HOOK
PB1030234-01 POWER TAKE OFF

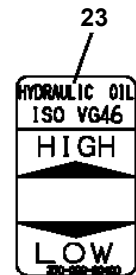
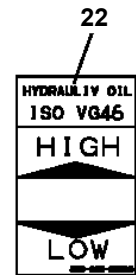
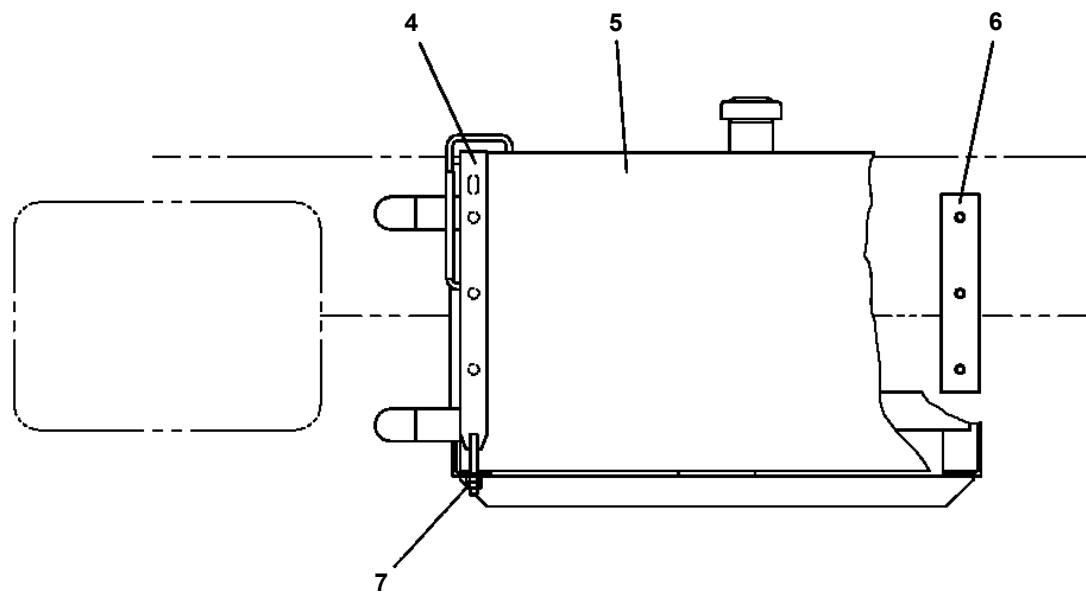


**TM-ZR500 31094010711A FRAME/STD,RAC,NABI HOOK
PB1130216-02 TANK,OIL (MOUNT)**



21
OR
22 FOR EXP.
OR
23 TM-56Z-1,
EM5302~

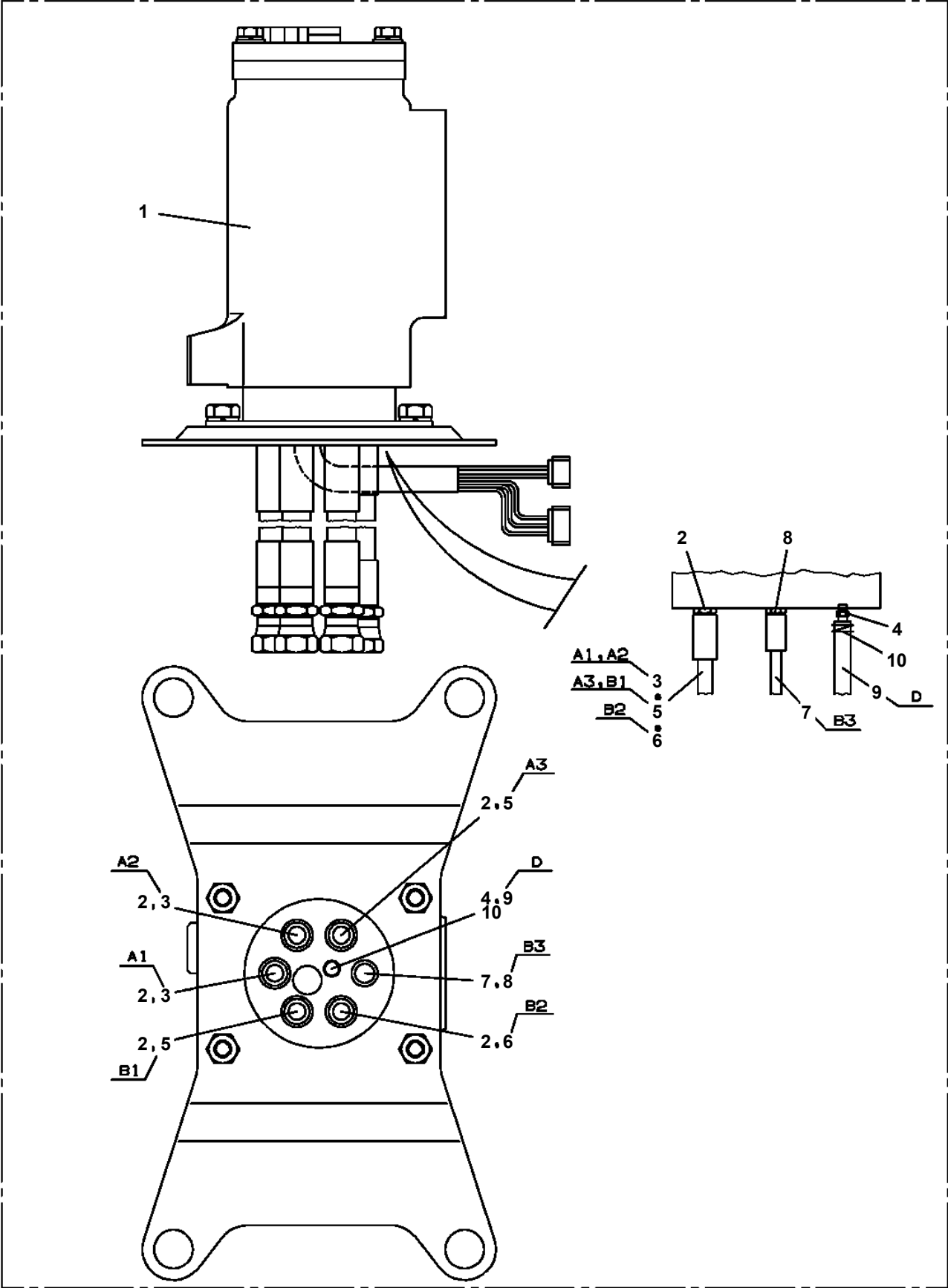
← A



A

TM-ZR500 31094010711A FRAME/STD,RAC,NABI HOOK
 PB1300343-01 JOINT,ROTARY

50



TM-ZR500 31094010711A FRAME/STD,RAC,NABI HOOK

Pos No.	Parts No	Parts Name	Qty	Unit	Technical Data	Serial No (Start)	Serial No (End)	Remarks
1	36649045010	BOLT,TIE	4					
2	90201200800	NUT	8		M8			
3	36635825010	COVER (FRONT)	1					
4	91001205500	O-RING	2		1A G55			
5	36638595010	BLOCK,VALVE	1					
6	36641555090	COVER (BOTTOM)	1					
7	36638595020	VALVE,RELIEF	1					
8	80316030040	PLUG	1		PT1/4			
11	36645615090	PROTECTOR	2					
12	36645615200	PACKING	1					
13	36645615190	PLUG (DUST)	1					
103	36633365100	SEAL,OIL	2					
104	36633365060	PLATE (B)	1					
105	36645495210	SEAT,SPRING (RETURN)	2					
106	36633365050	SPRING (RETURN)	1					
107	36633365070	ADAPTER	1					
108	36637475090	CAP	1					
109	36645615260	C-BOLT	2		M5X8			
110	36645845050	LINK	1					
111	36645615230	C-BOLT	2		5X12			
112	12635101360	SPOOL	1					
113	12635101190	SPRING	1					
114	91001101400	O-RING	2		1A P14			
115	36633365090	CAP (CHECK VALVE)	2					
203	12635101110	SPRING (RETURN)	1					
206	12635101140	SPRING	1					
207	12635101130	SCREW (ADJUSTING)	1					
208	11629431040	PACKING	2					
209	36646575090	NUT	1					
210	36630195030	NUT,CAP	1					
211	16623320390	TUBE (SEAL)	1					
212	91002802100	O-RING	1		1B P21			
213	91001102600	O-RING	1		1A P26			
500	36638590000	VALVE,MANUAL CONTROL	1					

TM-ZR500 31094010711A FRAME/STD,RAC,NABI HOOK

Pos No.	Parts No	Parts Name	Qty	Unit	Technical Data	Serial No (Start)	Serial No (End)	Remarks	Pa
1	37002456880	HOSE	2		L=400				
2	91002801400	O-RING	12		1B P14		EW3234		
	91002801400	O-RING	8		1B P14	EW3235			
3	37002468770	HOSE	1		L=1560				
4	37002468780	HOSE	1		L=1500				
5	37000805200	JOINT	1						
6	91803880070	CLIP	2		D=13.1-16.2				
7	37002513830	HOSE	1		L=630				
8	80481103030	JOINT	4		L,G3/8-G3/8		EW3234		
9	37000926410	JOINT	2				EW3234		
	37000931680	JOINT	2			EW3235			
10	37002480740	HOSE	1		L=780				
	37002468790	HOSE	1		L=780				
11	37002463570	HOSE	1		L=750				
	37002480710	HOSE	1		L=750				
12	37000801760	JOINT	1						
13	82100001412	TUBE, SPIRAL	1	M	SE-12BK	EW4066			
28	80430620600	JOINT (WITH O-RING)	4		L,G3/8-G3/8	EW3235			
31	91002801400	O-RING	4		1B P14	EW3235			

TM-ZR500 31094010711A FRAME/STD,RAC,NABI HOOK

Pos No.	Parts No	Parts Name	Qty	Unit	Technical Data	Serial No (Start)	Serial No (End)	Remarks
1	81408000120	PIPE,STEEL	1	M	10X1.5T			
2	81408000120	PIPE,STEEL	1	M	10X1.5T			
3	91810130270	FASTENER	2					
4	91810130240	FASTENER	3					
5	81408000120	PIPE,STEEL	3	M	10X1.5T			
6	81408000120	PIPE,STEEL	3	M	10X1.5T			
7	91803600200	CLIP	1		D=13-20			
8	31641800300	COVER	1					
	31644591400	COVER	1			EW4162	EW4161	
9	80302090121	FITTING	8		KCO10-030N			
10	91002801400	O-RING	13		1B P14			
11	81408000100	PIPE,STEEL	3	M	10X1.2T			
12	81408000100	PIPE,STEEL	3	M	10X1.2T			
13	91803600400	CLIP	2		D=27-40			
14	36672390000	FILTER,OIL (WAKO)	1					
15	91002802900	O-RING	1		1B P29			
16	91803880070	CLIP	2		D=13.1-16.2			
17	90186210014	BOLT,FLANGE	2		M10X14			
18	37000924350	FITTING	4					
19	91002801100	O-RING	5		1B P11			
20	37002504790	HOSE	1		L=1500			
21	31644591300	JOINT	1					
22	90186208014	BOLT,FLANGE	4		M8X14			
24	37005700130	CLAMP	2		10X2			
25	90101208055	BOLT	1		M8X55			
26	90280200800	NUT,FLANGE	1		M8			
27	80481003037	JOINT	4					
28	80400160180	JOINT (WITH O-RING)	1					
29	80481003027	JOINT	1					
41	80400160202	JOINT (FOR RETURN FILTER)	1					
51	37002454570	HOSE	4		L=2000			
52	80491002020	JOINT (WITH O-RING)	4					
53	91810130240	FASTENER	6					
54	31642591240	CLAMP	2		12X2			
55	90186208014	BOLT,FLANGE	2		M8X14			
56	90280200800	NUT,FLANGE	2		M8			
57	31642851530	SUPPORT	2					
58	31644591450	JOINT	2					
61	37012403490	HOSE (TWIN)	2		L=2000			
64	37000714630	CLAMP ASSY	2		12X2			
67	31645471310	SUPPORT	2					
71	91002801400	O-RING	1		1B P14			
81	91002802900	O-RING	1		1B P29			
91	91002801100	O-RING	4		1B P11			

TM-ZR500 31094010711A FRAME/STD,RAC,NABI HOOK

Pos No.	Parts No	Parts Name	Qty	Unit	Technical Data	Serial No (Start)	Serial No (End)	Remarks
20	36804915010	O-RING (CASE)	1					
29	36804915020	PIN	1					
30	36804915030	RING	1					
49	36805795020	HARNESS	1					
50	36805795030	HARNESS	1					
64	36804915060	RUBBER(FRONT)	1					
68	36806245010	PLATE,NAME	1					
69	36804915080	LABEL (SERIAL)	1					
101	36804917570	CASE ASSY(LOWER)	1					
102	36804915100	GUARD ASSY (HAND)	1					
103	36804915110	COVER ASSY (BATTERY)	1					
104	36806575010	LEVER ASSY (TRIGGER)	1					
106	36804925030	PANEL ASSY (INNER)	1					
107	36804925040	PANEL ASSY (INNER)	1					
108	36804915150	SWITCH ASSY	1					
109	36804915160	CASE ASSY (FRONT)	1					
110	36804917530	HOLDER (BATTERY)	1					
201	36804915170	STRAP	1					
900	36806983000	BOX,OPERATION	1					

TM-ZR500 31094010711A FRAME/STD,RAC,NABI HOOK

Pos No.	Parts No	Parts Name	Qty	Unit	Technical Data	Serial No (Start)	Serial No (End)	Remarks	Pages
1	31611655000	FLOAT ASSY	2						
11	31610055010	TRUNNION	2						

TM-ZR500 31094010711A FRAME/STD,RAC,NABI HOOK

Pos No.	Parts No	Parts Name	Qty	Unit	Technical Data	Serial No (Start)	Serial No
1	(*****)	CYLINDER,JACK (REAR/STROKE 430MM)	2				
11	31478091550	CASE,OUTER	1				
12	31622102000	CASE,INNER	2				
13	31621343000	CASE (LEFT H=555)	1				
14	31621344000	CASE (RIGHT H=555)	1				
15	31622103000	SUPPORT	1				
16	31622104000	SUPPORT	1				
17	90171118040	BOLT	8		M18X40		
18	90302041801	WASHER,SPRING	8		18		
19	31200713400	SHIM	2		T=0.6		
20	31621340401	COVER	2				
21	90186208016	BOLT,FLANGE	4		M8X16		
22	37000162930	PIN	2				
23	80314110060	NUT	4		PT10		
24	80314120060	SLEEVE	4		PT10		
25	31620386000	BOLT	2				
26	90203252000	NUT	2				
27	37000300170	SPACER	4		L=16		
28	42310210500	PIN	2				
29	37000308620	SPACER	4				
31	37003100030	GRIP	2				
32	37001200720	SPRING	2				
33	31621340200	PIN	2				
34	31621340100	PLATE	2				
35	90172112030	BOLT,HEXAGON SOCKET	12		M12X30		
36	90302401201	WASHER,SPRING (12)	12				
37	31620437000	GUIDE	8				
38	90101210025	BOLT	8		M10X25		
39	90302041001	WASHER,SPRING	12		10		
40	81408000130	PIPE,STEEL	4	M	10X1.8T		
44	80314130080	FITTING	4		PA10PT1/4		
45	82456201000	NIPPLE,GREASE	2		A-TYPE PT1/8		
46	82400000459	CAP	2				
47	80601110200	RING,RITAINING	8		S20		
48	37001100660	ROLLER ASSY	6				
49	37000303100	SPACER	2		L=129		
61	31621340300	SUPPORT	2				
62	90171116050	BOLT	8		M16X50		
63	90202781600	NUT	16		M16		
65	37000539370	PLATE	2				
71	31622141200	PIN ASSY	2				
81	31642900100	PIPE ASSY (LEFT)	1				
82	31642900200	PIPE ASSY (RIGHT)	1				
83	37002408200	HOSE	4		L=1060		
84	44340295000	JOINT,SWIVEL	4		PT1/4XPF1/4		
85	90101210020	BOLT	4		M10X20		
91	44340297520	REPAIR KIT (O-RINGX2 BACKUPX2SEALX2)	4				
122	80516006004	BEARING,BALL	6				

TM-ZR500 31094010711A FRAME/STD,RAC,NABI HOOK

Pos No.	Parts No	Parts Name	Qty	Unit	Technical Data	Serial No (Start)	Serial No (End)
1	31624970000	FRAME ASSY (R/O:WITH LOCK ASSY)	1				
	31624970001	FRAME ASSY(R/O:WITH LOCK ASSY)	1			PA4247	PA4246
4	(*****)	PIPING,REAR JACK (1)	1				
6	(*****)	ELEC.ASSY	1				
7	(*****)	PLATE ASSY,NAME	1				

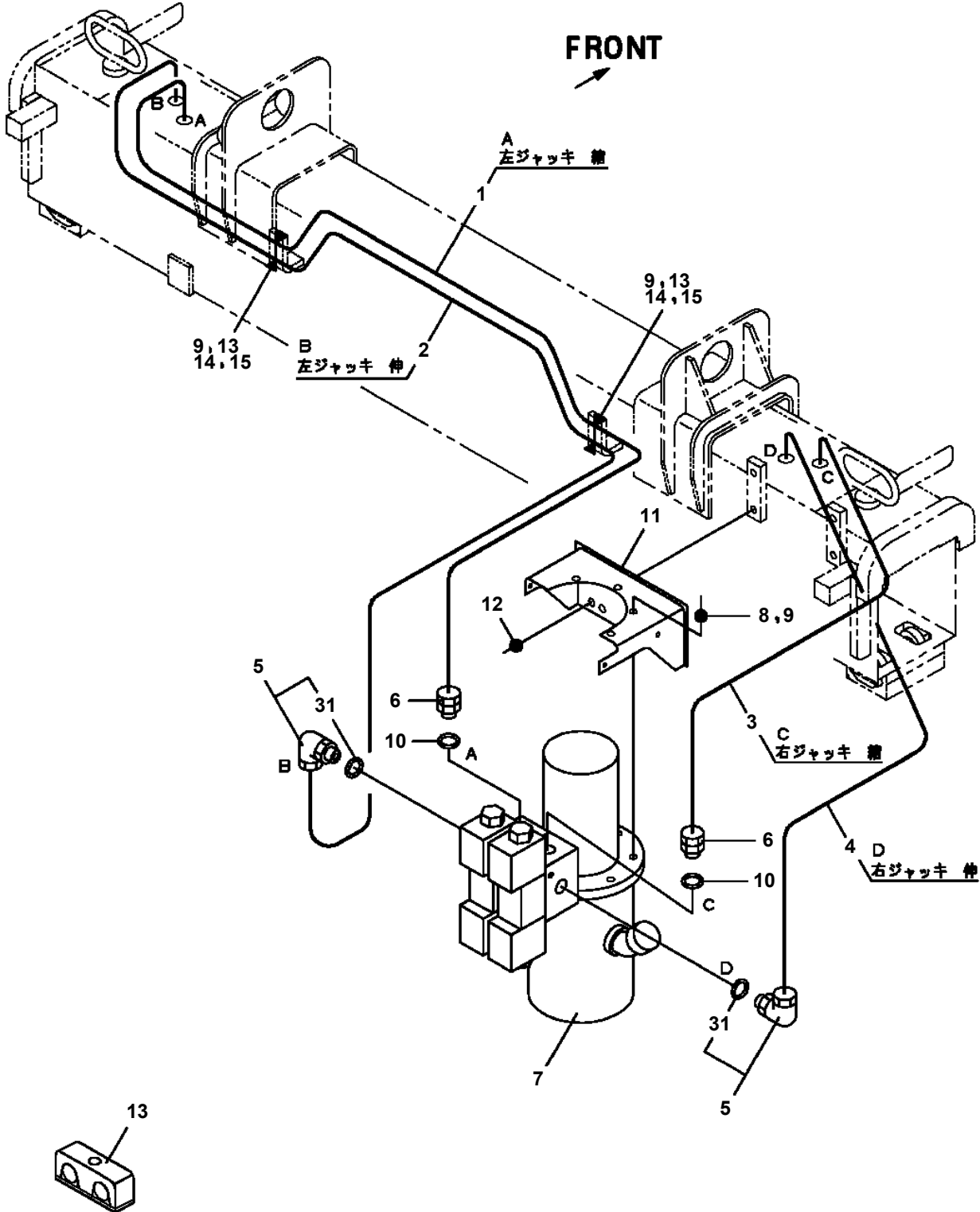
TM-ZR500 31094010711A FRAME/STD,RAC,NABI HOOK

Pos No.	Parts No	Parts Name	Qty	Unit	Technical Data	Serial No (Start)	Serial No (End)	Re
1	90172110035	BOLT,HEXAGON SOCKET	2		M10X35			
2	36623930000	VALVE,PILOT CHECK	1					
3	80491002020	JOINT (WITH O-RING)	2					
4	36034730000	CYLINDER ASSY,JACK (MIN.550)	1				EW6614	
	36034730001	CYLINDER ASSY,JACK (MIN.550)	1			EW6615		
5	91002801000	O-RING	2		1B P10			
6	42610020510	CHOKE	1			EW6615		
21	91002801100	O-RING	2		1B P11			

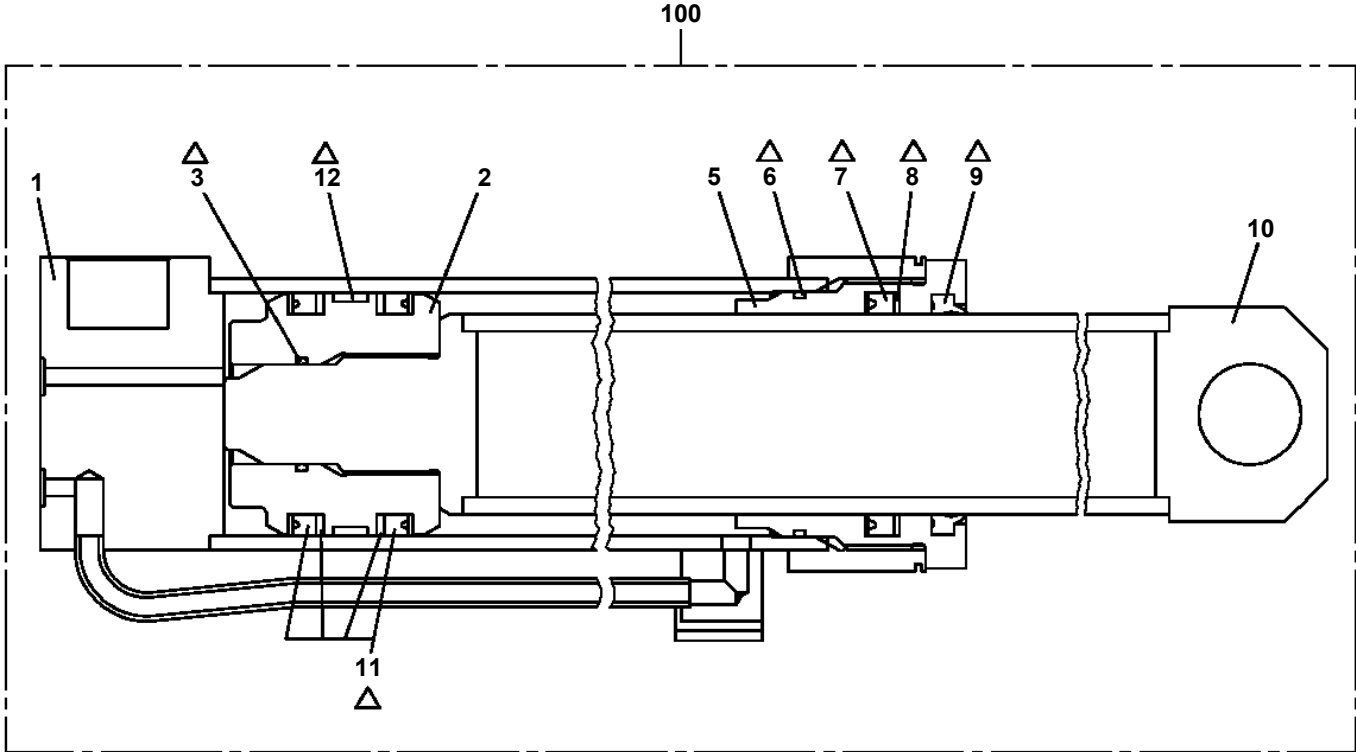
TM-ZR500 31094010711A FRAME/STD,RAC,NABI HOOK

Pos No.	Parts No	Parts Name	Qty	Unit	Technical Data	Serial No (Start)	Serial No (End)	Remarks	Pages
4	31642730100	SUPPORT	2						
5	90186208014	BOLT,FLANGE	12		M8X14				
7	90303071201	WASHER,PLAIN	2		12				
8	37000924770	FITTING,ELBOW	4						
21	37002417360	HOSE	2		L=1800				
22	37002450860	HOSE	2		L=1760				
23	31642730300	CLAMP ASSY	2						
24	31642730200	CLAMP ASSY	2						
29	91810130240	FASTENER	6						

TM-ZR500 31094010711A FRAME/STD,RAC,NABI HOOK
PC1230061-01 PIPING,REAR JACK (1)

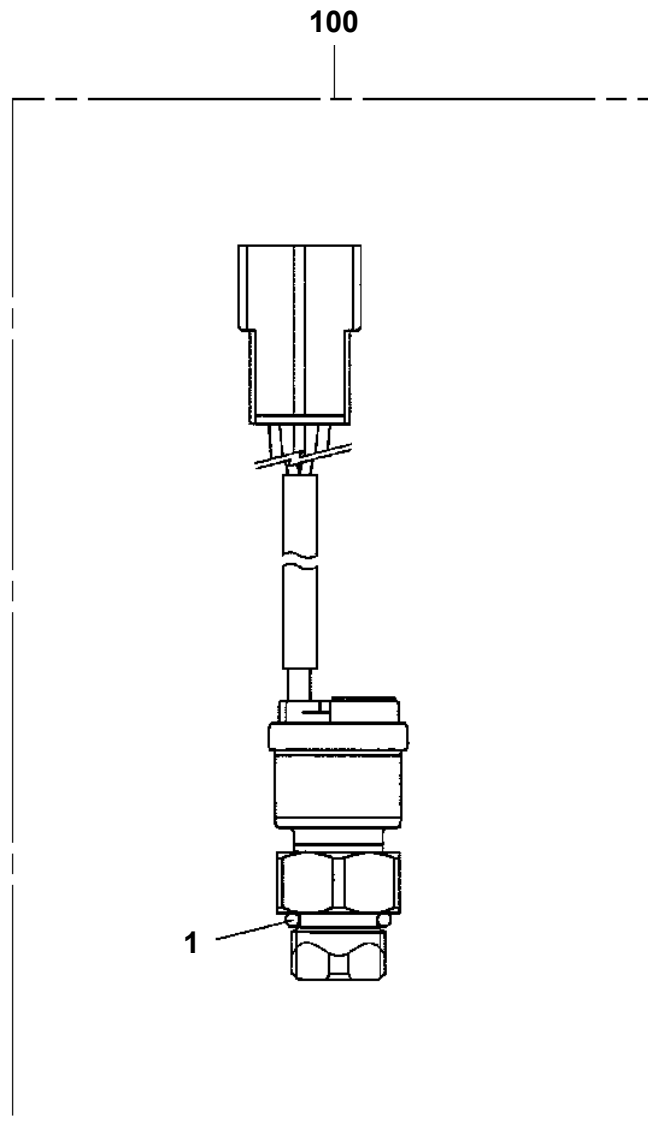


TM-ZR500 31094010711A FRAME/STD,RAC,NABI HOOK
PC6390040-01 CYLINDER ASSY,JACK



Δ:PACKING SET KEY NO.30 (KEY NO.3,6,7,8,9,11,12)

TM-ZR500 31094010711A FRAME/STD,RAC,NABI HOOK
PD5120001-00 DETECTOR ASSY,MOMENT



TM-ZR500 31094010711A FRAME/STD,RAC,NABI HOOK

Pos No.	Parts No	Parts Name	Qty	Unit	Technical Data	Serial No (Start)	Serial No (End)	Remarks	Pages
1	(*****)	ELEC.ASSY	1						000092
2	(*****)	NAME PLATE ASSY	1						000198
6	(*****)	NAME PLATE ASSY	1			EW5625			000199

TM-ZR500 31094010711A FRAME/STD,RAC,NABI HOOK

Pos No.	Parts No	Parts Name	Qty	Unit	Technical Data	Serial No (Start)	Serial No (End)	Remarks
1	36072255010	CASING	1					
2	36072255020	COVER	1					
3	36072255030	GEAR (1)	1					
6	36073425030	DISK	1					
7	36073425020	WHEEL,RATCHET	1					
8	36073425040	BUSH	1					
9	36072255091	RING,SLIP	1					
10	36072255101	RATCHET	1					
11	36072255110	PIN	1					
12	36072255120	SPRING	1					
13	36072255130	PIN	1					
14	36072255140	PLATE (LOCK)	1					
15	80172304010	SCREW,MACHINE	1		M4X10			
17	36072255160	BOLT (WITH WASHER)	6		M8X25			
19	36072255180	GAUGE,OIL	1					
20	36072255240	PLUG	1					
21	80500006004	BEARING,BALL	1					
22	80500006212	BEARING,BALL	1					
23	80500006305	BEARING,BALL	1					
24	80500006007	BEARING,BALL	1					
25	36072255190	KEY	2		7X7X20			
26	36072255250	O-RING	1					
27	91001101500	O-RING	1		1A P15			
28	36072255210	SEAL,OIL	1					
29	36072255220	NUT,CASTLE	1		M24			
30	80136350035	PIN,SPLIT	1		5X35			
31	80602110620	RING,RITAINING	1		R62			
41	36073435011	GEAR SET	1					
50	36073430000	WINCH (OOKUBO)	1					
101	36072251000	FACING KIT(JAPANESE)	1					
102	36072252000	FACING KIT (ENGLISH)	1					

TM-ZR500 31094010711A FRAME/STD,RAC,NABI HOOK

Pos No.	Parts No	Parts Name	Qty	Unit	Technical Data	Serial No (Start)	Serial No (End)
1	(*****)	OUTRIGGER,REAR (FRAME)	1				
2	(*****)	CYLINDER,JACK (REAR OUTRIGGER)	2				
3	(*****)	PIPING,REAR JACK (2,ROTARY)	1				
100	31623660000	FRAME ASSY (R/O:WITHOUT LOCK ASSY)	1				

TM-ZR500 31094010711A FRAME/STD,RAC,NABI HOOK

Pos No.	Parts No	Parts Name	Qty	Unit	Technical Data	Serial No (Start)	Serial No (End)	Remarks
1	36150070000	DETECTOR,LOAD	2					
	36150070001	DETECTOR ASSY,MOMENT	2			PA3618	PA3617	
	36150080000	DETECTOR ASSY,MOMENT	2			PA4228	PA4227	
2	31360745100	JOINT	1					
3	91002801100	O-RING	2		1B P11			
4	90171110080	BOLT	2		M10X80			
5	90302041001	WASHER,SPRING	2		10			

TM-ZR500 31094010711A FRAME/STD,RAC,NABI HOOK

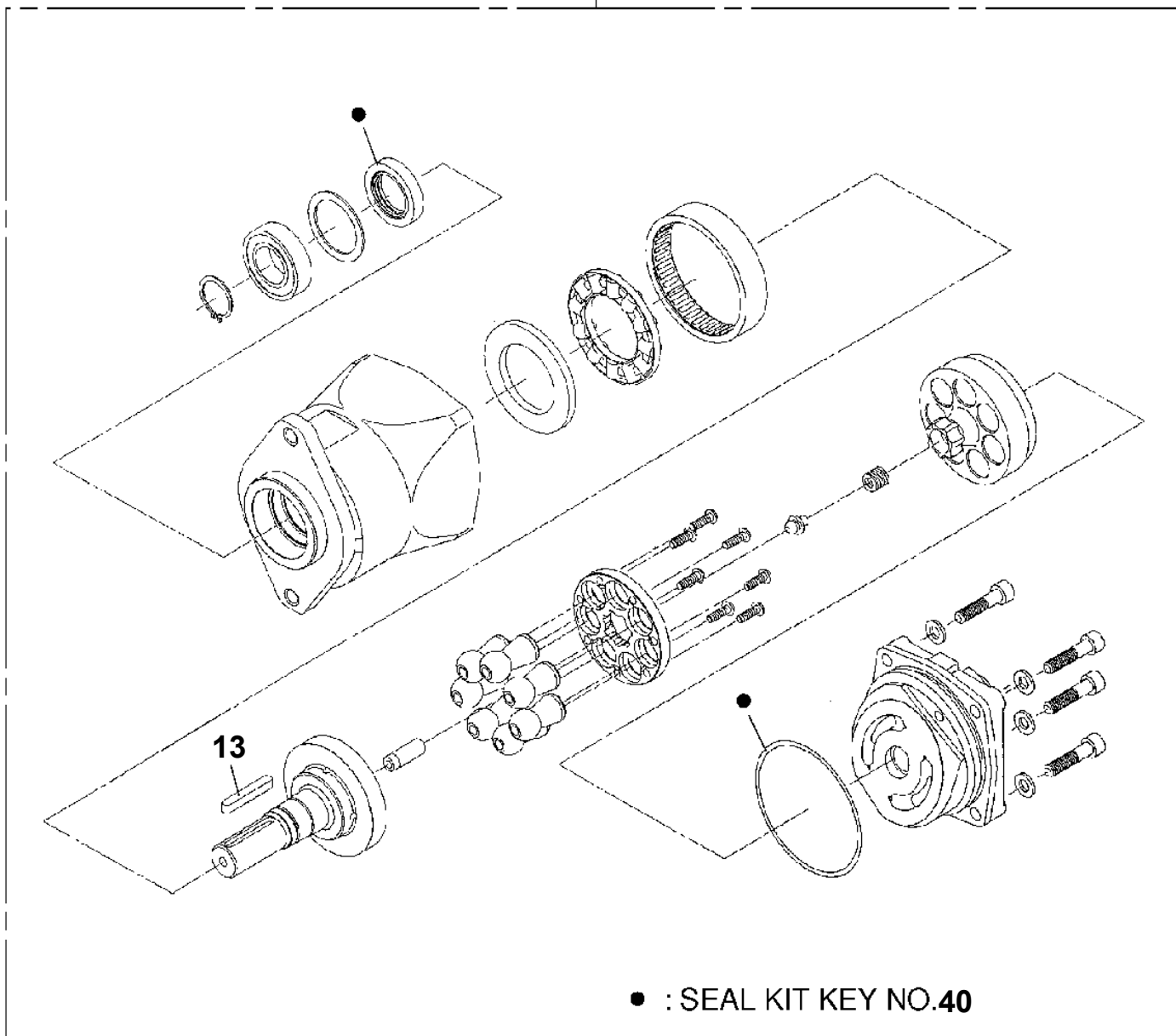
Pos No.	Parts No	Parts Name	Qty	Unit	Technical Data	Serial No (Start)	Serial No (End)	Remarks	Pages
39	82100000745	FUSE	1		10A,6.5X30				
40	82100002832	HOLDER,FUSE	1						
100	31653221201	HARNESS	1						

TM-ZR500 31094010711A FRAME/STD,RAC,NABI HOOK

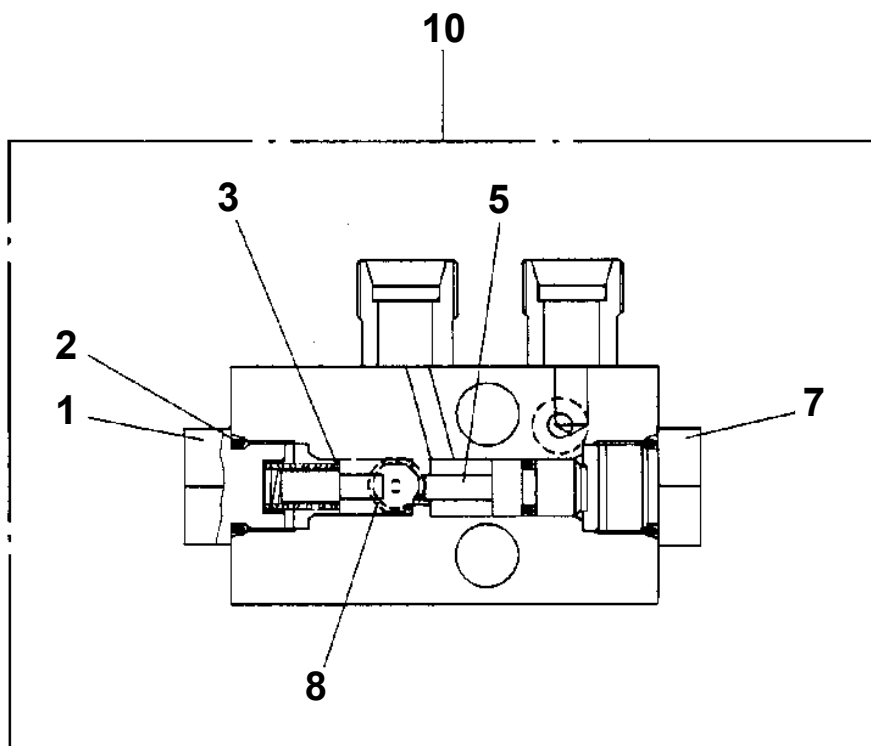
Pos No.	Parts No	Parts Name	Qty	Unit	Technical Data	Serial No (Start)	Serial No (End)	Remarks	Pages
100	31478092100	HARNESS	1						

**TM-ZR500 31094010711A FRAME/STD,RAC,NABI HOOK
PI1010152-00 MOTOR,HYDRAULIC (WINCH)**

50



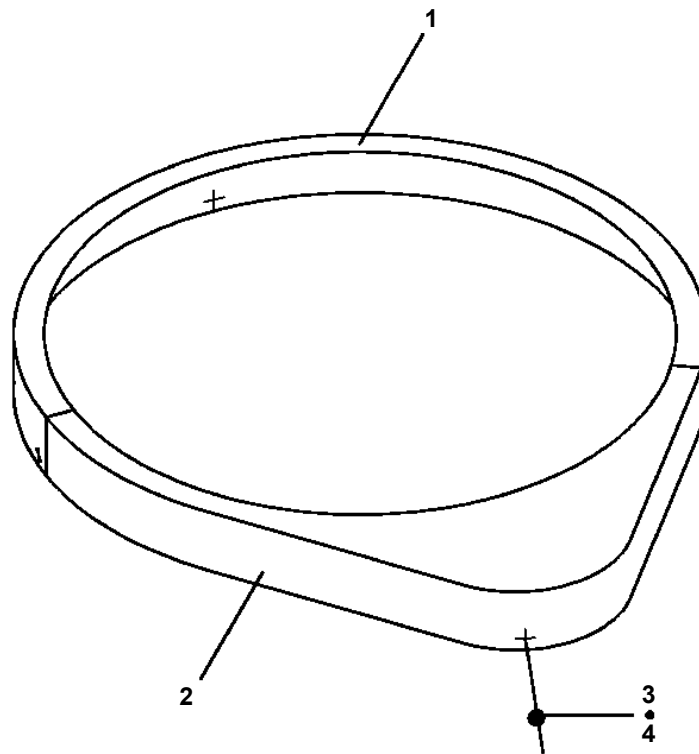
TM-ZR500 31094010711A FRAME/STD,RAC,NABI HOOK
PI1280162-00 VALVE,PILOT CHECK



TM-ZR500 31094010711A FRAME/STD,RAC,NABI HOOK
PJ3410008-01 LOCK ASSY

指示番号 KEY NO.	ロックASSY (ソウコウロックソウチ) LOCK ASSY
1	ハイセンASSY (クレーン) ELEC. ASSY (CRANE)
2	ハイセンASSY (キャリア) ELEC. ASSY (CARRIER)
5	プレートASSY,ネーム PLATE ASSY,NAME

TM-ZR500 31094010711A FRAME/STD,RAC,NABI HOOK
PK1130007-00 COVER,BEARING



CLICK HERE TO **DOWNLOAD** THE COMPLETE MANUAL

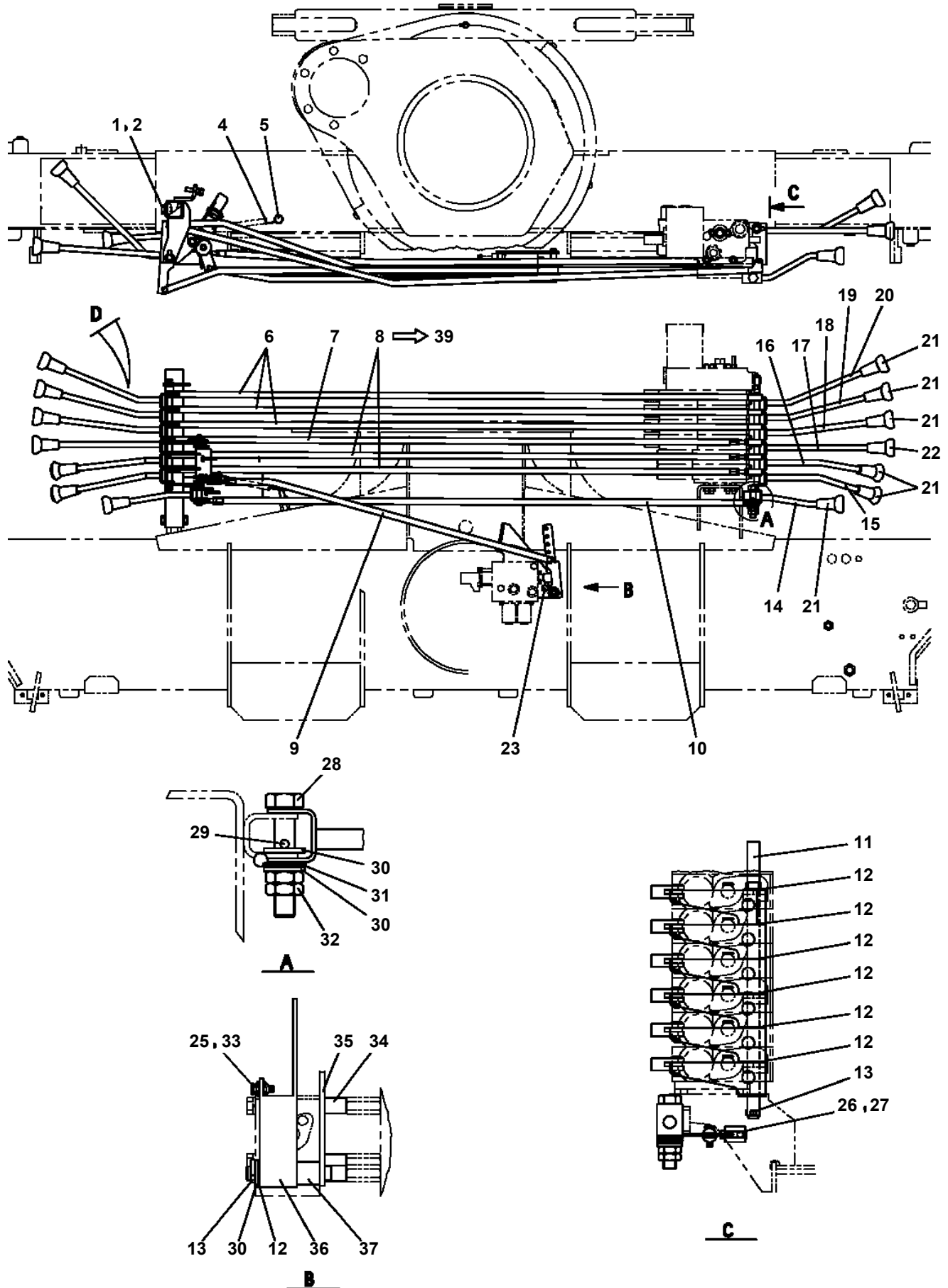
- Thank you very much for reading the preview of the manual.
- You can download the complete manual from: www.heydownloads.com by clicking the link below



- Please note: If there is no response to CLICKING the link, please download this PDF first and then click on it.

CLICK HERE TO **DOWNLOAD** THE COMPLETE MANUAL

**TM-ZR500 31094010711A FRAME/STD,RAC,NABI HOOK
 PL1010955-03 OPE.ASSY,CONT.VALVE (CRANE)**



TM-ZR500 31094010711A FRAME/STD,RAC,NABI HOOK

Pos No.	Parts No	Parts Name	Qty	Unit	Technical Data	Serial No (
1	31783930400	SUPPORT	2			
2	31783930200	SUPPORT	2			
3	56560009000	PIN	2			
4	80136330025	PIN,SPLIT	2			
5	31783930300	SUPPORT	2			
6	31783090300	SUPPORT	2			
7	31200791030	PLATE	2			
8	32460251300	CHAIN	2		L=386	
9	82400000543	HOOK	2			
10	31783090500	PLATE,CAUTION	2			
100	31783930000	MODIFICATION ASSY (PLANKING CASE:FOR WHEEL BASE)	1			

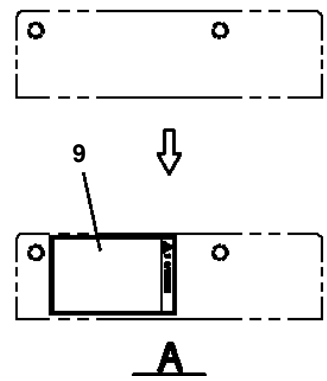
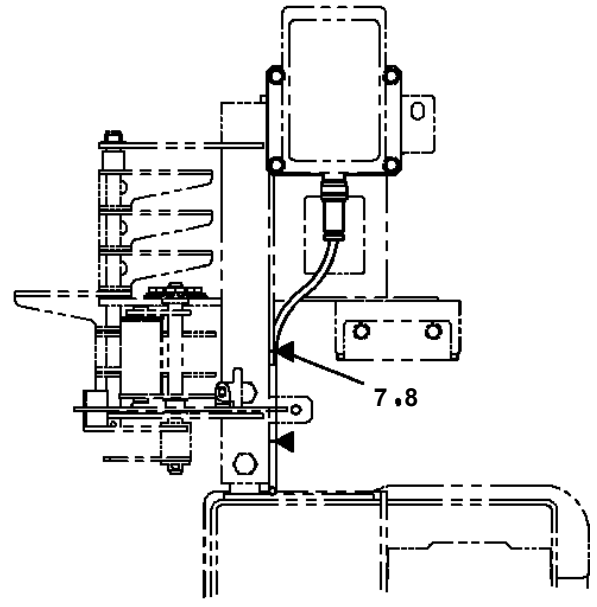
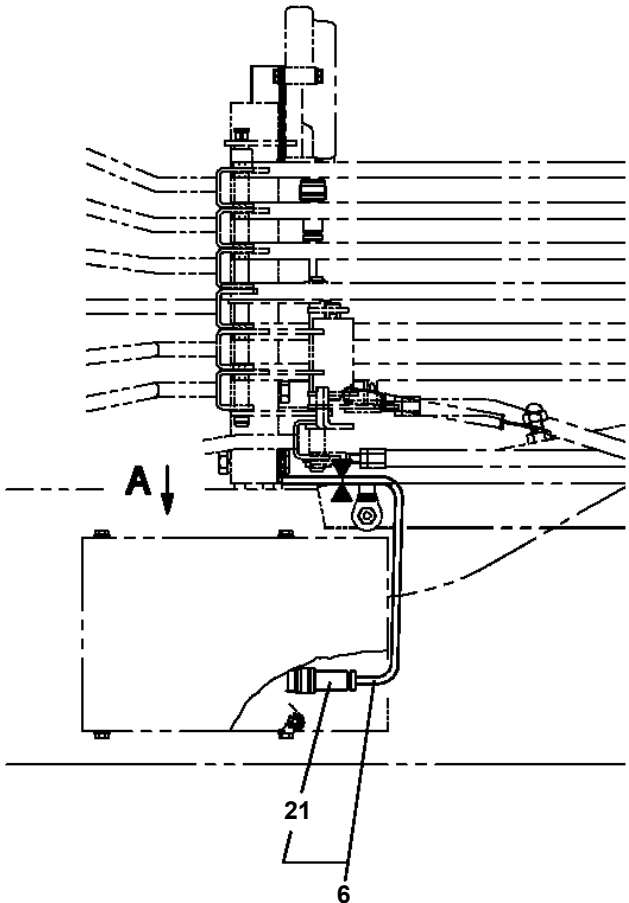
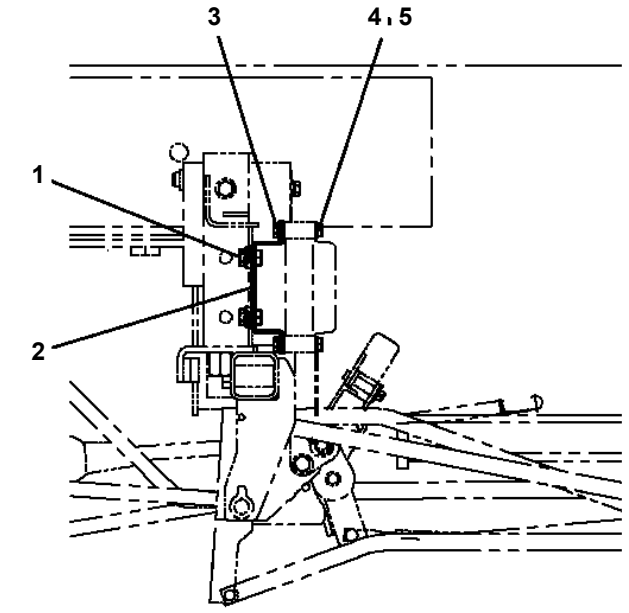
TM-ZR500 31094010711A FRAME/STD,RAC,NABI HOOK

Pos No.	Parts No	Parts Name	Qty	Unit	Technical Data	Serial No (Start)	Serial No (End)	Remarks	Pages
2	80183308014	SCREW,MACHINE	8		M8X14				
3	31270211100	SUPPORT	1			EW5230			
4	90302041001	WASHER,SPRING	2		10		EW5229		
	90302041001	WASHER,SPRING	3		10	EW5230			
5	90171110016	BOLT	2		M10X16		EW5229		
	90171110016	BOLT	3		M10X16	EW5230			
6	31270211200	SUPPORT	1						
8	90186210014	BOLT,FLANGE	2		M10X14				
9	90186208014	BOLT,FLANGE	3		M8X14		EW5229		
	90186208014	BOLT,FLANGE	4		M8X14	EW5230			
10	31270211300	SUPPORT	1				EW5229		
	31270211300	SUPPORT	2			EW5230			
11	31270212000	CAP	1				EW5229		
	31270212000	CAP	2			EW5230			
23	31270211700	SUPPORT	1				EW5229		
31	31270230100	COVER	1						
32	31270231200	COVER (KOREA)	1						
41	31270230500	COVER	1						
42	31270231600	COVER (KOREA)	1						
51	31270210200	COVER	2						
52	31270230600	PLATE,NAME	2						
61	31270211400	COVER (IP)	2						
62	31270230700	PLATE,NAME	2						

TM-ZR500 31094010711A FRAME/STD,RAC,NABI HOOK

Pos No.	Parts No	Parts Name	Qty	Unit	Technical Data	Serial No (Start)	Serial No (End)	Remarks	Pages
1	31654034101	COVER	2						
2	82100002596	RELAY	11						
3	82161201010	RELAY	2						
4	82400000475	PLATE	1						
5	90280200600	NUT,FLANGE	15		M6				
6	80192486012	SCREW,MACHINE	13		M6X12				
7	31654981000	SUPPORT	1						
8	90186206010	BOLT,FLANGE	4		M6X10				
9	31654980100	HARNESS	1						
10	31654980200	CABLE ASSY	1		L=8500				
11	91850310405	CLAMP (BLACK)	12						
12	91810130240	FASTENER	24						
13	90101212020	BOLT	2		M12X20				
14	90302041201	WASHER,SPRING	2		12				
15	90303070801	WASHER,PLAIN	4		8				
16	31653242200	COVER (PLASTIC)	1						
39	82100000745	FUSE	1		10A,6.5X30				
40	82100002832	HOLDER,FUSE	1						

TM-ZR500 31094010711A FRAME/STD,RAC,NABI HOOK
 PN1013754-01 ELEC.ASSY (ANTENNA)



9

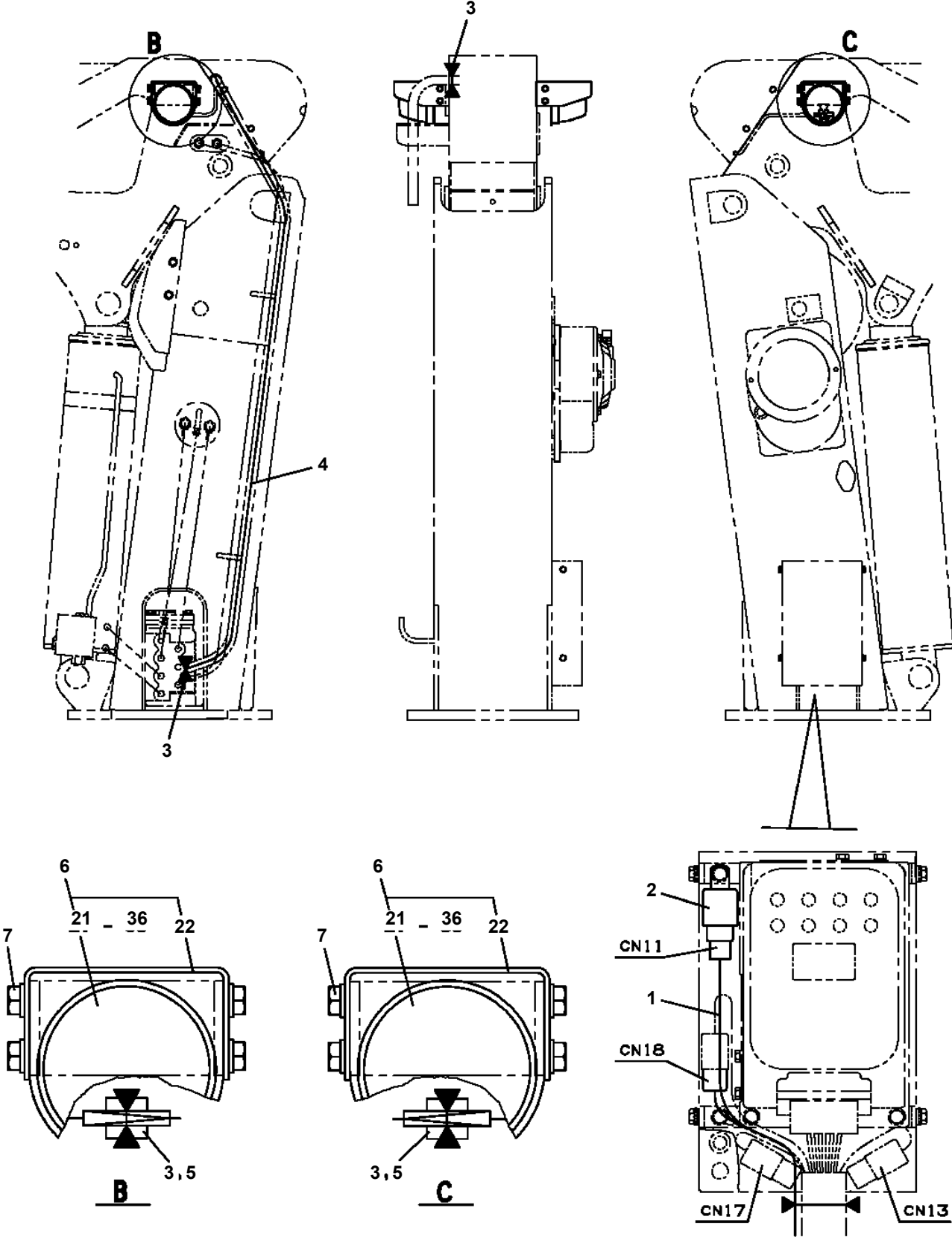
⚠ 高圧注意 ⚠

- 制御ユニット等の絶縁部は、高圧が掛かりやすいです。
- 絶縁が破損し、内部に水が入りケーブルが漏れ電気を発生する恐れがあります。
- 制御ユニットは日露交替時に点検を行い、異常が有る場合は直ちにクレーン・吊り钩・ヒス工器で点検・修繕を行ってください。

制御ユニット

2014-08-27

TM-ZR500 31094010711A FRAME/STD,RAC,NABI HOOK
PN1013844-01 ELEC.ASSY (ALARM LAMP)



TM-ZR500 31094010711A FRAME/STD,RAC,NABI HOOK

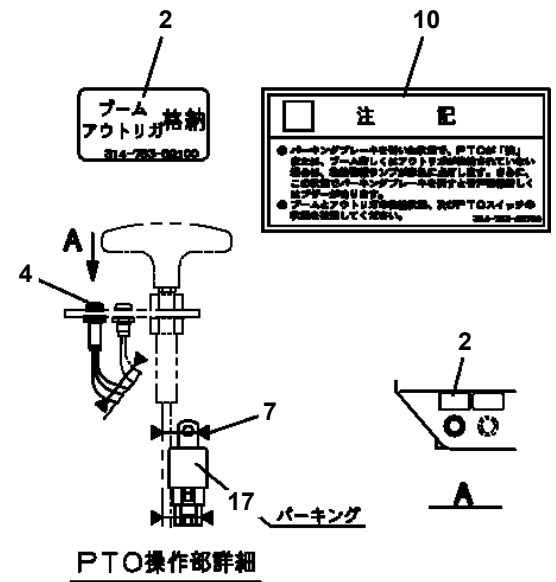
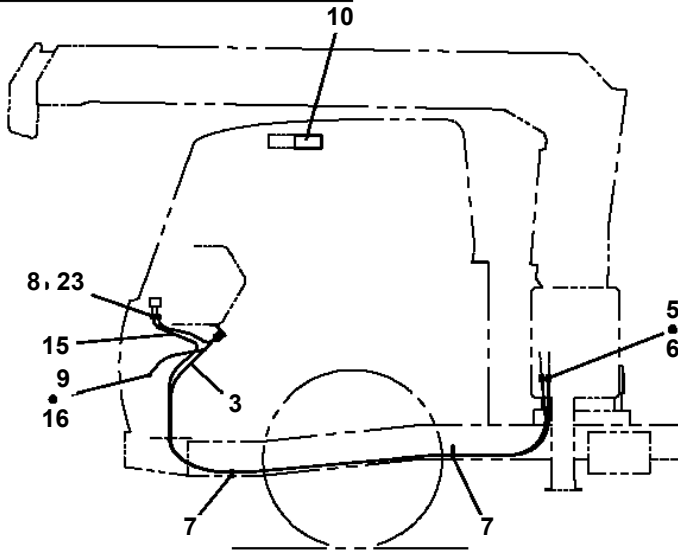
Pos No.	Parts No	Parts Name	Qty	Unit	Technical Data	Serial No (Start)	Serial No (End)	Remarks	Pages
1	91850310305	CLAMP	8						
2	91810130240	FASTENER	13						
3	31473472100	HARNESS (RED)	1		L=3000		EW7961		
	31501812100	HARNESS	1		L=3000	EW7962			
4	31473460300	HARNESS (RED)	1		L=1600				
5	32200156090	SUPPORT	5						
6	36160670000	REEL,CORD	1				EW7224		00019
	36161770000	REEL ASSY,CORD	1			EW7225	EW7961		00023
	36161700000	REEL ASSY,CORD	1			EW7962			00023
7	31650690200	PLATE	2		T=9				
8	90186206010	BOLT,FLANGE	4		M6X10				
20	82100000191	TERMINAL	1						
21	82100000183	INSULATOR	1						

TM-ZR500 31094010711A FRAME/STD,RAC,NABI HOOK

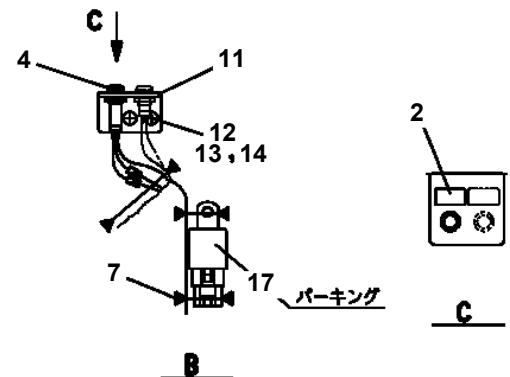
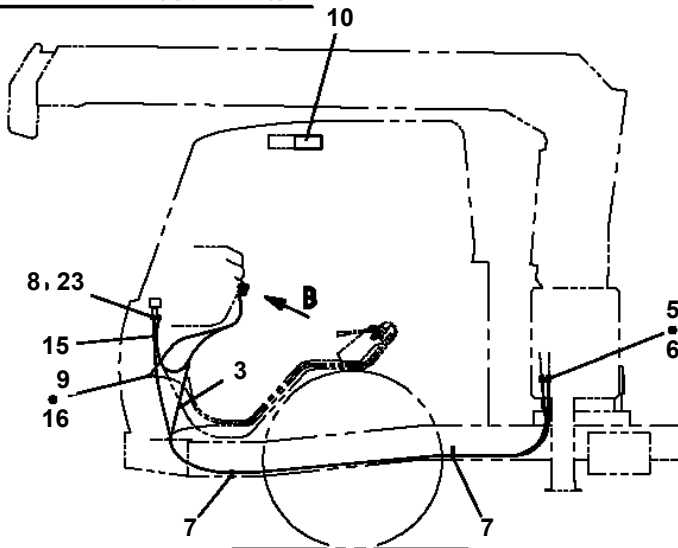
Pos No.	Parts No	Parts Name	Qty	Unit	Technical Data	Serial No (Start)	Serial No (End)	Remarks	Pages
1	82100000191	TERMINAL	2						
2	82100000183	INSULATOR	2						
3	91810130240	FASTENER	6						
4	82115001002	CONNECTOR	2						
5	82100001400	TERMINAL	2						
6	31476362600	RELAY ASSY	2						
7	82100001220	INSULATOR	2						
8	82115001005	CONNECTOR	2						

TM-ZR500 31094010711A FRAME/STD,RAC,NABI HOOK PN1014342-01 ELEC.ASSY (CARRIER)

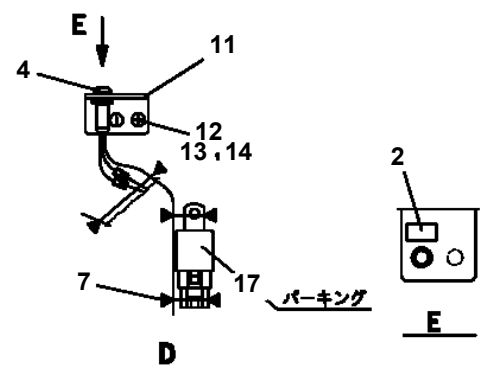
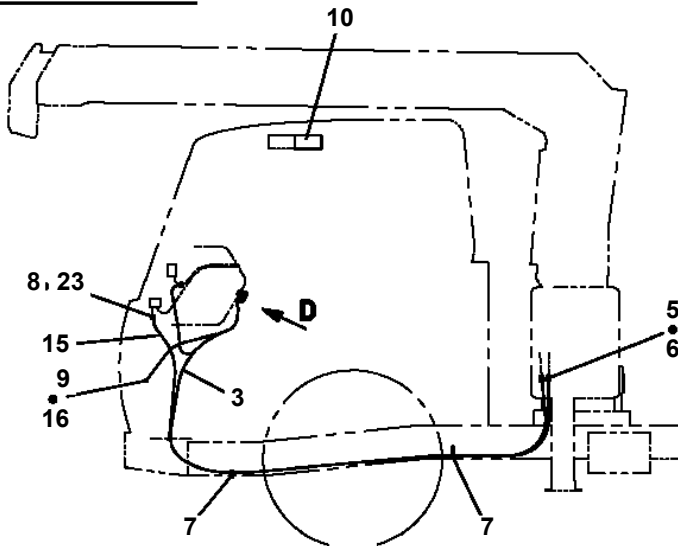
PTOレバーがハンドル横にある場合



PTOレバーが座席横にある場合



純正PTO付きの場合



TM-ZR500 31094010711A FRAME/STD,RAC,NABI HOOK

Pos No.	Parts No	Parts Name	Qty	Unit	Technical Data	Serial No (Start)	Serial No (End)	Re
1	(*****)	ELEC.ASSY (24V-60W LAMP/POST)	1					
2	(*****)	ELEC.ASSY (LAMP,LOWER/FRAME)	1					

TM-ZR500 31094010711A FRAME/STD,RAC,NABI HOOK

Pos No.	Parts No	Parts Name	Qty	Unit	Technical Data	Serial No (Start)	Serial No (End)
1	(*****)	ELEC.ASSY (24V-45W LAMP/BOOM)	1				
2	(*****)	ELEC.ASSY (LAMP,LOWER/FRAME)	1				
3	3616170000	REEL ASSY,CORD	1				

TM-ZR500 31094010711A FRAME/STD,RAC,NABI HOOK

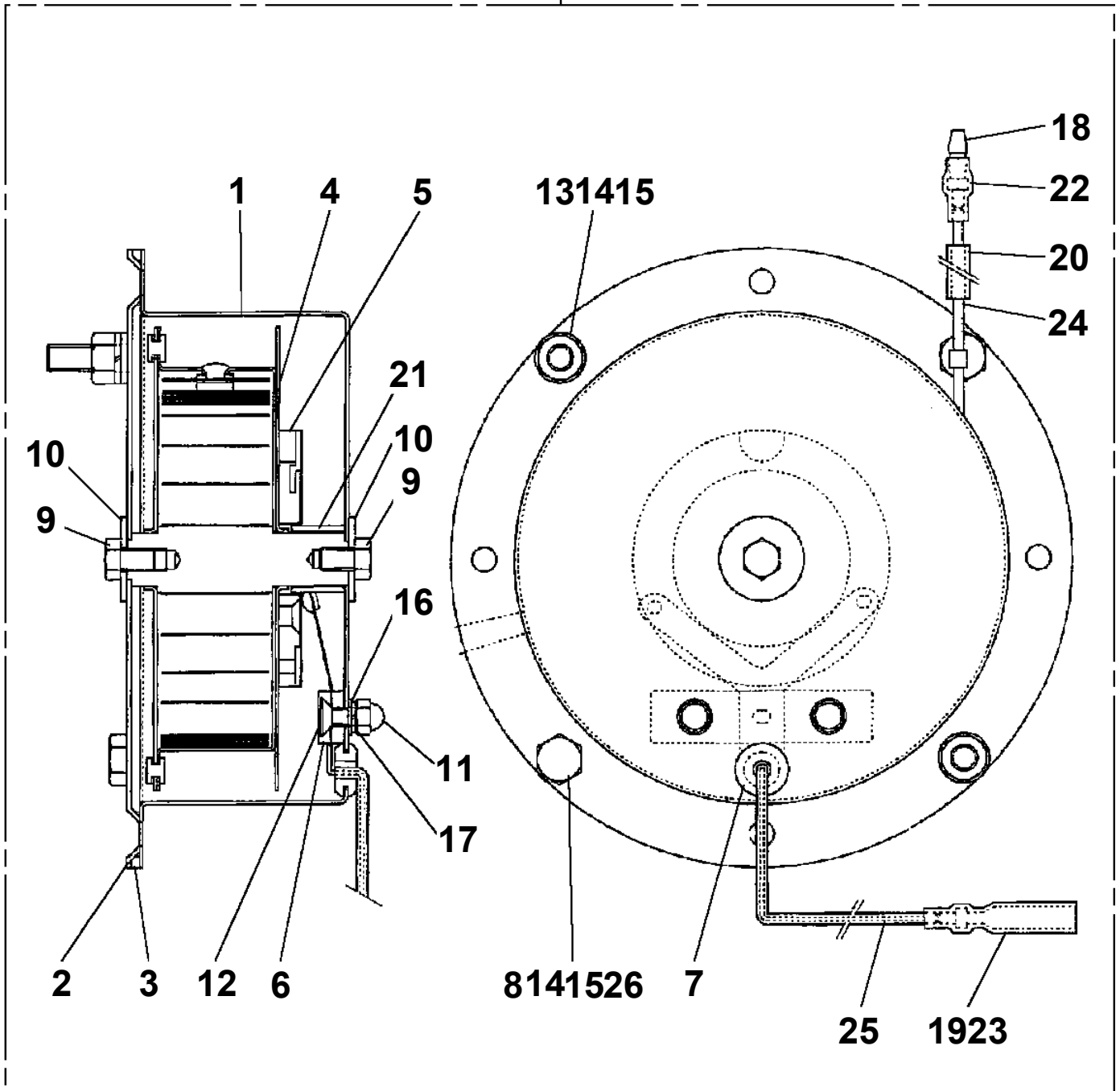
Pos No.	Parts No	Parts Name	Qty	Unit	Technical Data	Serial No (Start)	Serial No (End)	P
1	82101940130	SWITCH,PUSH (3PJW106F-021-CC)	2					
10	31653243300	SWITCH ASSY (PLATING:NACC)	1					

TM-ZR500 31094010711A FRAME/STD,RAC,NABI HOOK

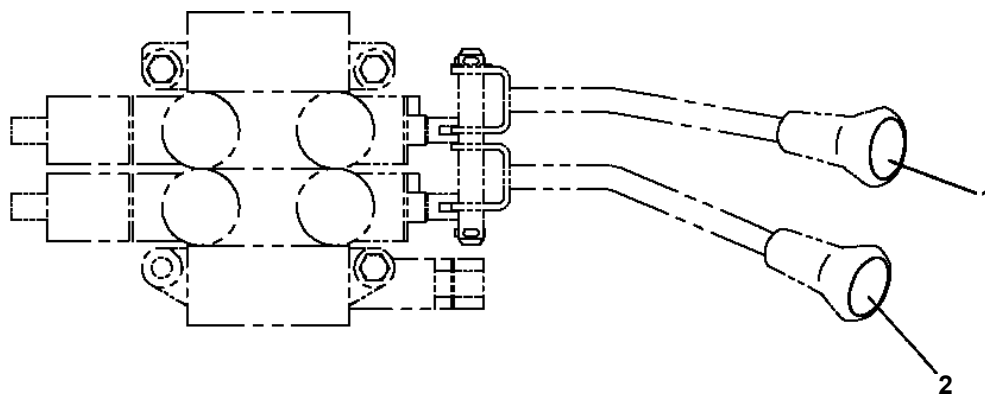
Pos No.	Parts No	Parts Name	Qty	Unit	Technical Data	Serial No (Start)	Serial No (End)
1	82105501003	SWITCH,TOGGLE	2				
10	31653322200	SWITCH ASSY (WITH HARNESS,2-SW)	1				

TM-ZR500 31094010711A FRAME/STD,RAC,NABI HOOK
PN1350085-00 REEL,CORD

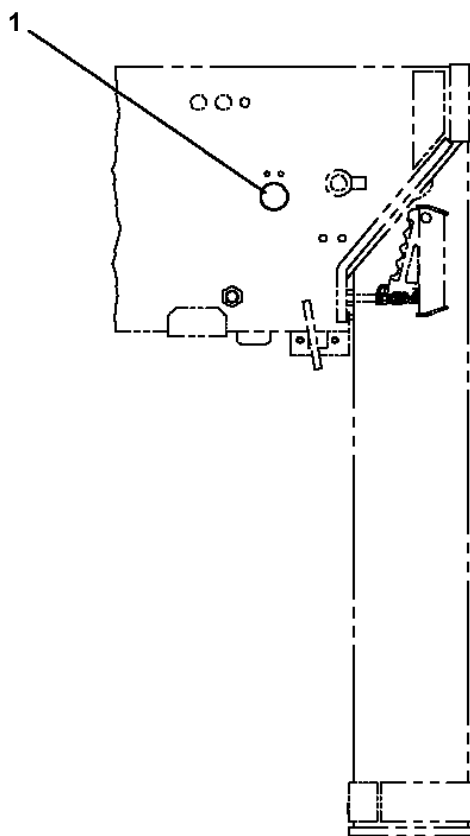
50



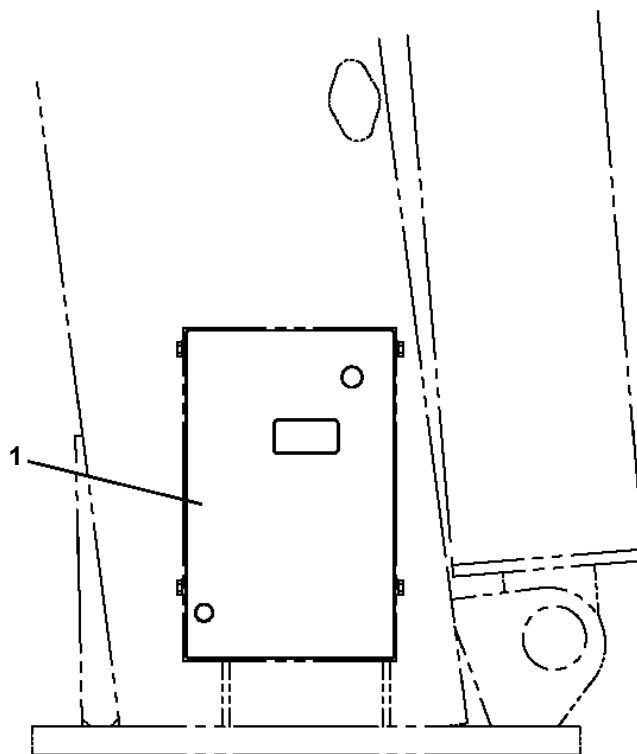
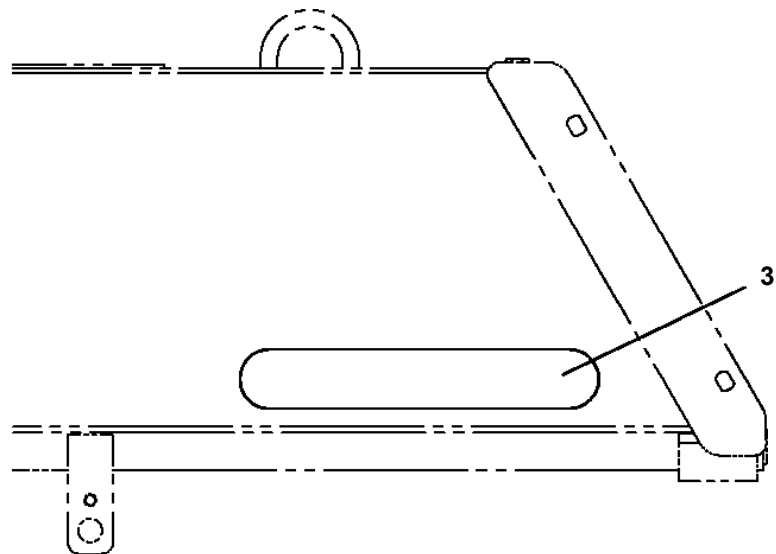
**TM-ZR500 31094010711A FRAME/STD,RAC,NABI HOOK
PO1012312-01 PLATE ASSY,NAME (O/R FOR CAB BACK OPE.)**



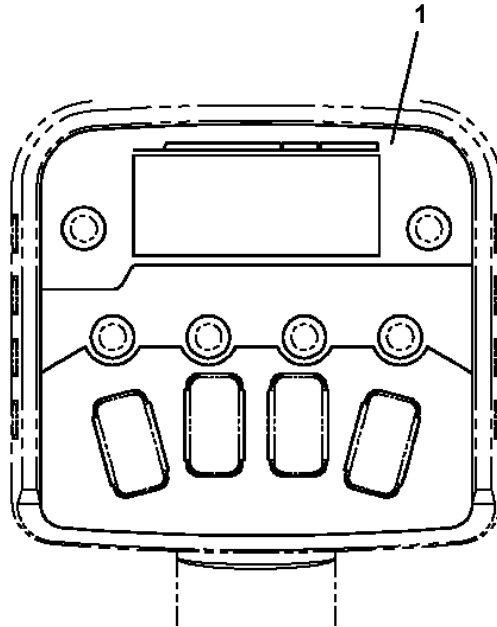
TM-ZR500 31094010711A FRAME/STD,RAC,NABI HOOK
PO1013617-00 PLATE ASSY,NAME (EXTENSHON SW./W-HOLE)



TM-ZR500 31094010711A FRAME/STD,RAC,NABI HOOK
PO1014335-01 PLATE ASSY,NAME



TM-ZR500 31094010711A FRAME/STD,RAC,NABI HOOK
PO1014633-00 PLATE ASSY,NAME (SWITCH BOX)



TM-ZR500 31094010711A FRAME/STD,RAC,NABI HOOK

Pos No.	Parts No	Parts Name	Qty	Unit	Technical Data	Serial No (Start)	Serial No (End)	Remark
1	31730934100	PLATE,NAME (SILENT ECO)	2					

TM-ZR500 31094010711A FRAME/STD,RAC,NABI HOOK

Pos No.	Parts No	Parts Name	Qty	Unit	Technical Data	Serial No (Start)	Serial No (End)
1	31491351100	PLATE,NAME	1				
2	31491351200	PLATE,NAME	1				
3	31491351300	PLATE,NAME	2				
4	31491351400	PLATE,NAME	1				
5	37002222560	PLATE,NAME (ZR504,CARGO CRANE)	2				
6	31392140130	INDICATOR	2				
7	90190000060	BOLT	2		M10X16		

TM-ZR500 31094010711A FRAME/STD,RAC,NABI HOOK

Pos No.	Parts No	Parts Name	Qty	Unit	Technical Data	Serial No (Start)	Serial No (End)
1	31491342100	PLATE,NAME	1				
2	31491342200	PLATE,NAME	1				
3	31491347100	PLATE,NAME	2				
4	31491347200	PLATE,NAME	1				
5	37002222550	PLATE,NAME (ZR503,CARGO CRANE)	2				
6	31392140130	INDICATOR	2				
7	90190000060	BOLT	2		M10X16		

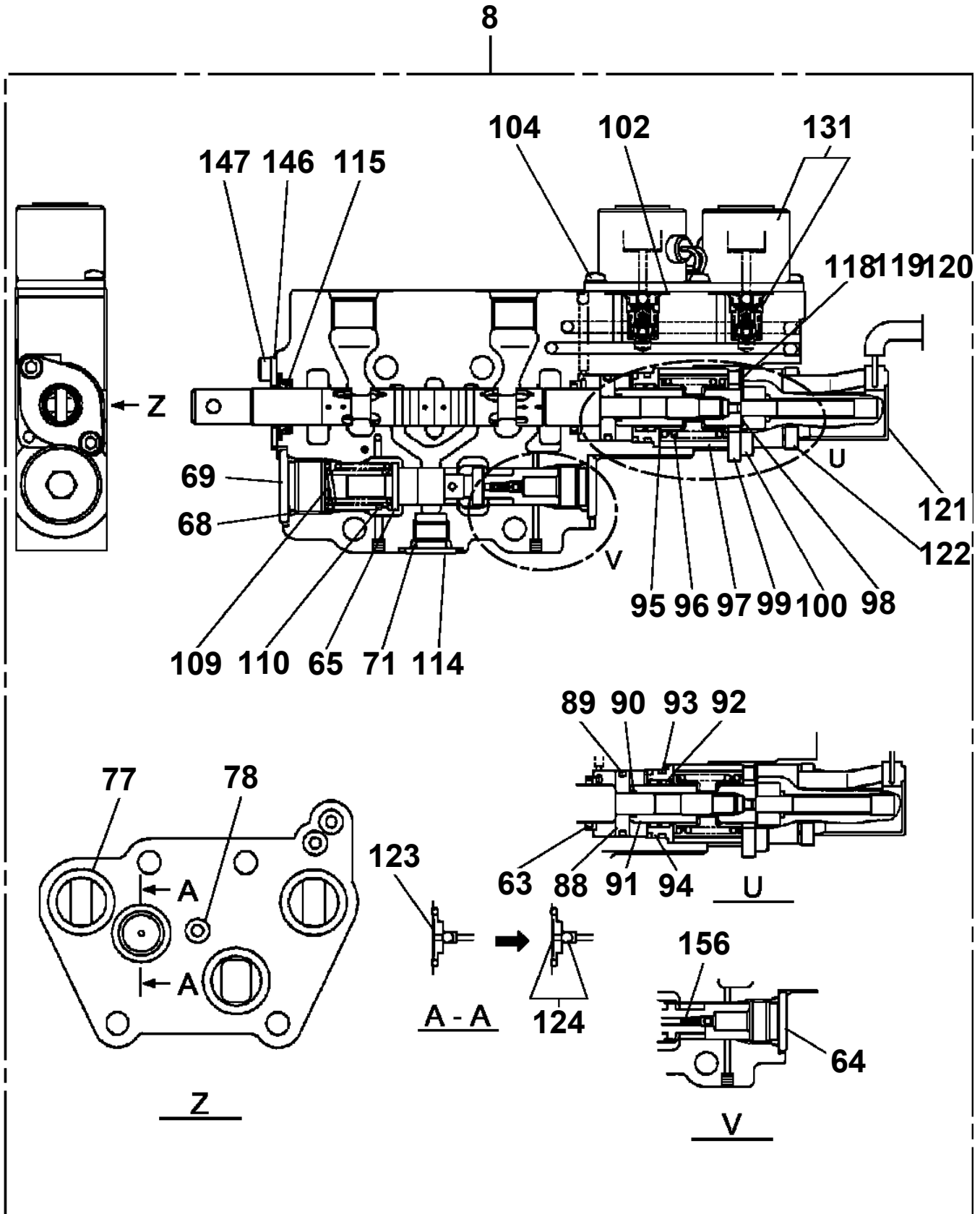
TM-ZR500 31094010711A FRAME/STD,RAC,NABI HOOK

Pos No.	Parts No	Parts Name	Qty	Unit	Technical Data	Serial No (Start)	Serial No (End)
1	(*****)	CYLINDER,JACK (REAR/STROKE 430MM)	2				
2	(*****)	FRAME ASSY (REAR)	1				
11	31621340300	SUPPORT	2				
12	90171116050	BOLT	8		M16X50		
13	90202781600	NUT	16		M16		
15	37000539370	PLATE	2				

TM-ZR500 31094010711A FRAME/STD,RAC,NABI HOOK

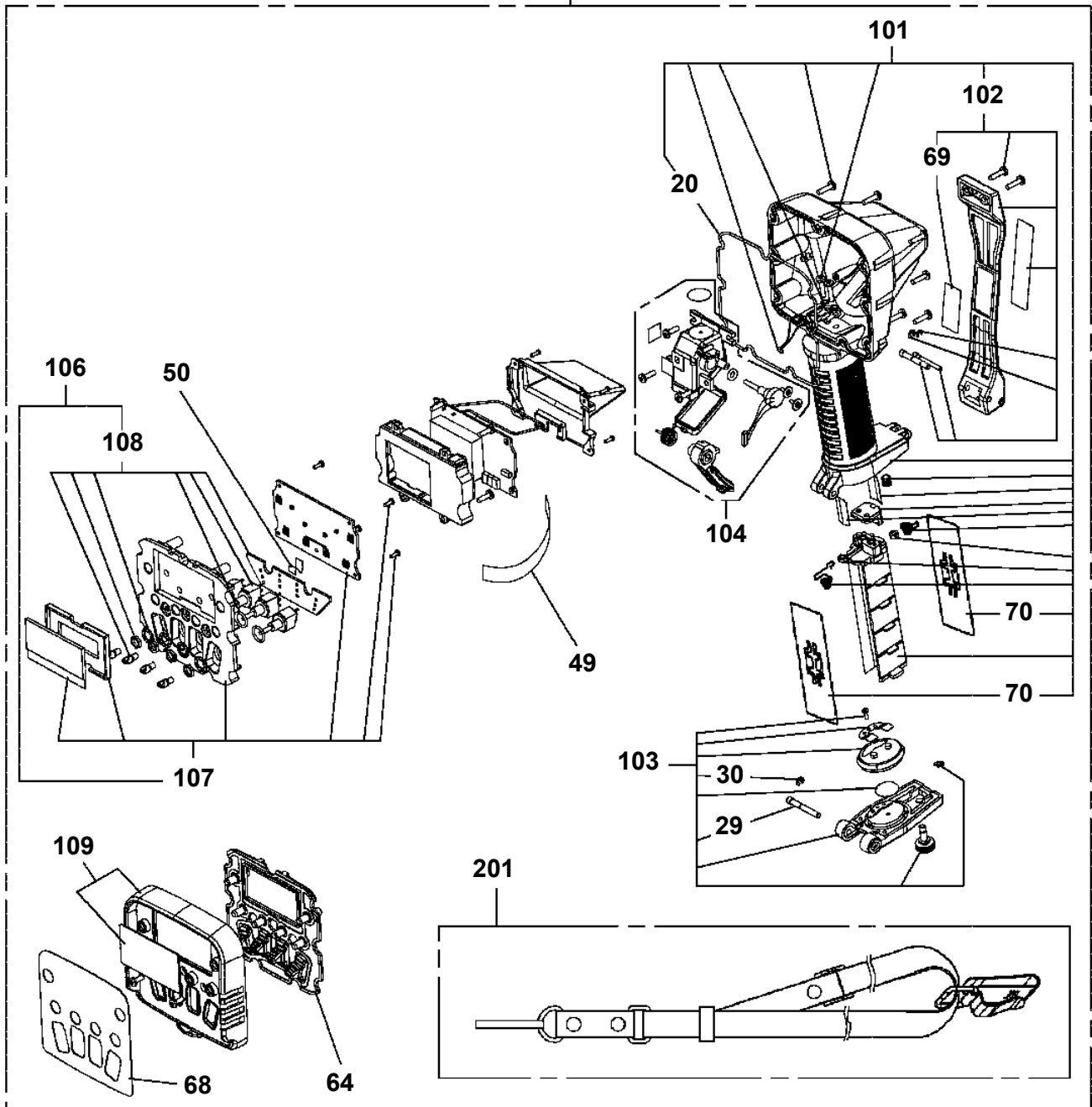
Pos No.	Parts No	Parts Name	Qty	Unit	Technical Data	Serial No (Start)	Serial No (End)
2	31631807570	CASE (RING)	1				
4	31631807580	SPACER	1				
11	31631807590	CLAMP (CABLE)	1				
15	31631807600	O-RING	1				
16	31631807620	PACKING	1				
21	31631807610	HOLDER ASSY,BRUSH (WITH BRUSH)	1				
900	31631802000	RING ASSY,SLIP	1				

TM-ZR500 31094010711A FRAME/STD,RAC,NABI HOOK
 PV1020336-00 VALVE,REMOTE CONTROL



TM-ZR500 31094010711A FRAME/STD,RAC,NABI HOOK
PV1030105-04 SWITCH BOX

300



注意

1. 本体分解時には、指示番号20の「Oリング (ケース)」を併せて注文ください。
2. お送りする「ラベル (コクイン)」には製造番号は印字されていないので記入してください。

NOTICE

1. When disassembling the main unit, order a key No.20 [O-RING(CASE)] beforehand.
2. Serial No.is not stamped on the 「 LABEL(SELIAL)」 before shipment. Fill in the blank by yourself.

TM-ZR500 31094010711A FRAME/STD,RAC,NABI HOOK

Pos No.	Parts No	Parts Name	Qty	Unit	Technical Data	Serial No (Start)	Serial No (End)
1	(*****)	RADIO CONTROL (KIT:LCD)	1				
11	(*****)	ELEC.ASSY (BML)	1				
12	(*****)	DETECTOR,AREA (SWING DETECTOR S/W)	1				
13	(*****)	ELEC.ASSY (FRAME)	1				
14	(*****)	ELEC.ASSY (HARNESS FOR STANDBY POWER)	1				
15	(*****)	PLATE ASSY,NAME (AWL)	1				
16	(*****)	PLATE ASSY,NAME (EXTENSHON SW./W-HOLE)	1				

TM-ZR500 31094010711A FRAME/STD,RAC,NABI HOOK

Pos No.	Parts No	Parts Name	Qty	Unit	Technical Data	Serial No (Start)	Serial No (End)	Remarks	Pages
10	36804914000	BOX,STOWING	1						

TM-ZR500 31094010711A FRAME/STD,RAC,NABI HOOK

Pos No.	Parts No	Parts Name	Qty	Unit	Technical Data	Serial No (Start)	Serial No (End)	Remarks	Pages
1	31360202500	SUPPORT	2						

TM-ZR500 31094010711A FRAME/STD,RAC,NABI HOOK

Pos No.	Parts No	Parts Name	Qty	Unit	Technical Data	Serial No (Start)	Serial No (End)	Remarks	Pages
1	90101212025	BOLT	2		M12X25				
2	90201201200	NUT	2		M12				
3	90302041201	WASHER,SPRING	2		12				
4	31622503800	PLATE	2				EW5569		
	31478111400	PLATE	2			EW5570			
5	31478111100	SUPPORT	1				EW5569		
	31478111300	SUPPORT	1			EW5570			
6	90186208016	BOLT,FLANGE	2		M8X16		EW5569		
7	31478111200	SUPPORT	1						
8	90280201000	NUT,FLANGE	2		M10				
9	90101210025	BOLT	2		M10X25		EW5569		
	90101210025	BOLT	4		M10X25	EW5570			
10	90201201000	NUT	2		M10	EW5570			
11	90302041001	WASHER,SPRING	2		10	EW5570			

TM-ZR500 31094010711A FRAME/STD,RAC,NABI HOOK

Pos No.	Parts No	Parts Name	Qty	Unit	Technical Data	Serial No (Start)	Serial No (End)	Remarks	Pages
1	91810130240	FASTENER	4						
2	82100000192	TERMINAL	1						
3	82100000182	INSULATOR	1						
4	31476361200	HARNESS (WHITE)	1		L=2000				

CLICK HERE TO **DOWNLOAD** THE COMPLETE MANUAL

- Thank you very much for reading the preview of the manual.
- You can download the complete manual from: www.heydownloads.com by clicking the link below



- Please note: If there is no response to CLICKING the link, please download this PDF first and then click on it.

CLICK HERE TO **DOWNLOAD** THE COMPLETE MANUAL