

TM-ZR500 31094011350A FRAME/ROUND TYPE

PB0000273-02 SYSTEM (MARINE CRANE)

ASSEMBLY

CLICK HERE TO **DOWNLOAD** THE COMPLETE MANUAL

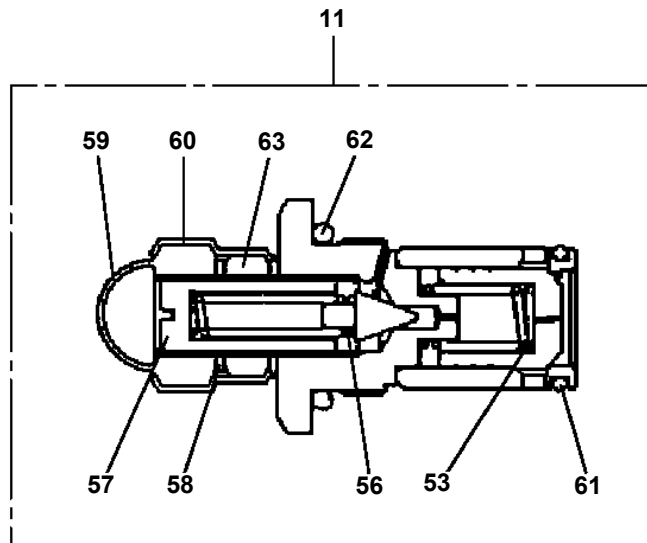
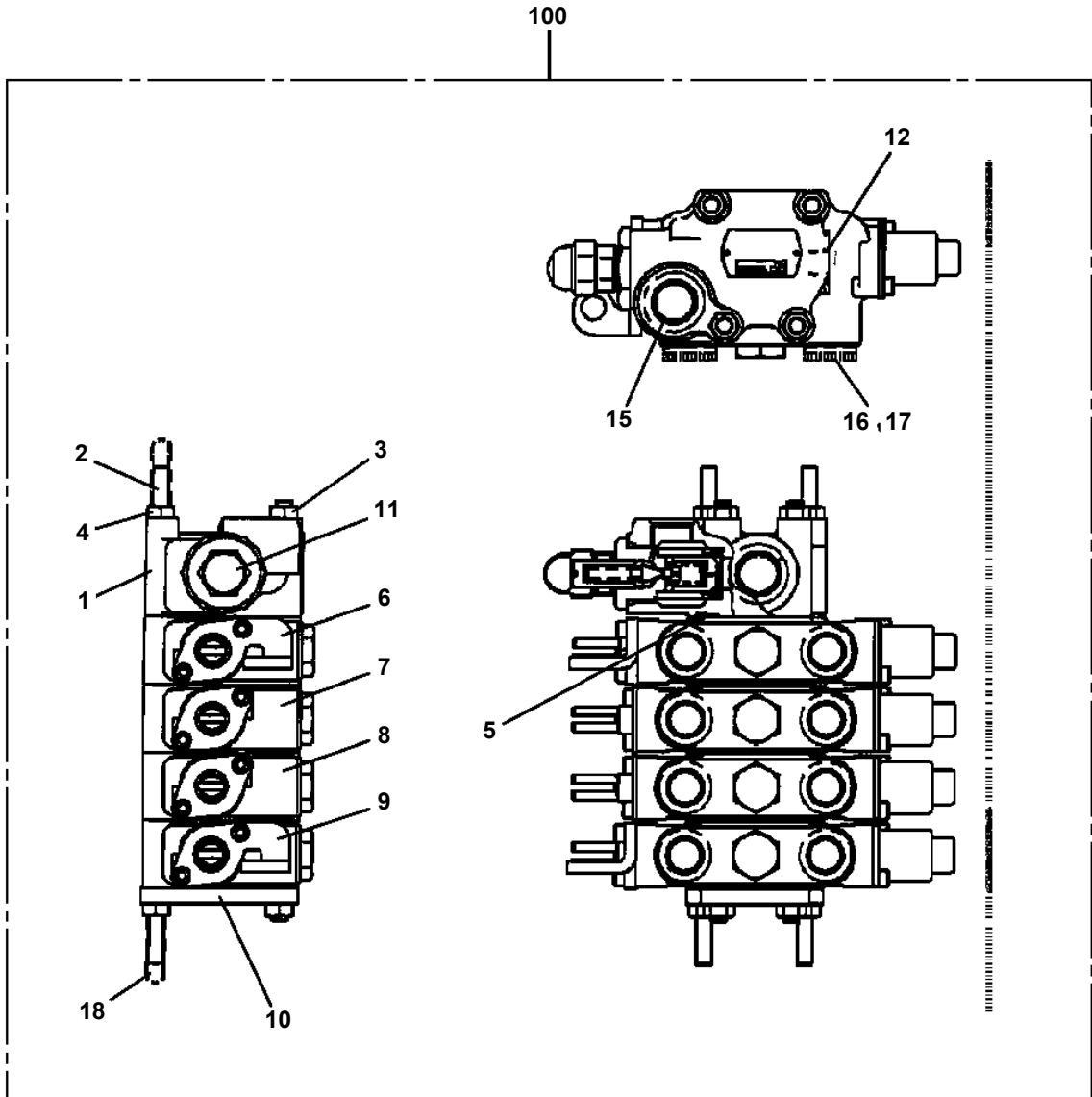
- Thank you very much for reading the preview of the manual.
- You can download the complete manual from: www.heydownloads.com by clicking the link below



- Please note: If there is no response to CLICKING the link, please download this PDF first and then click on it.

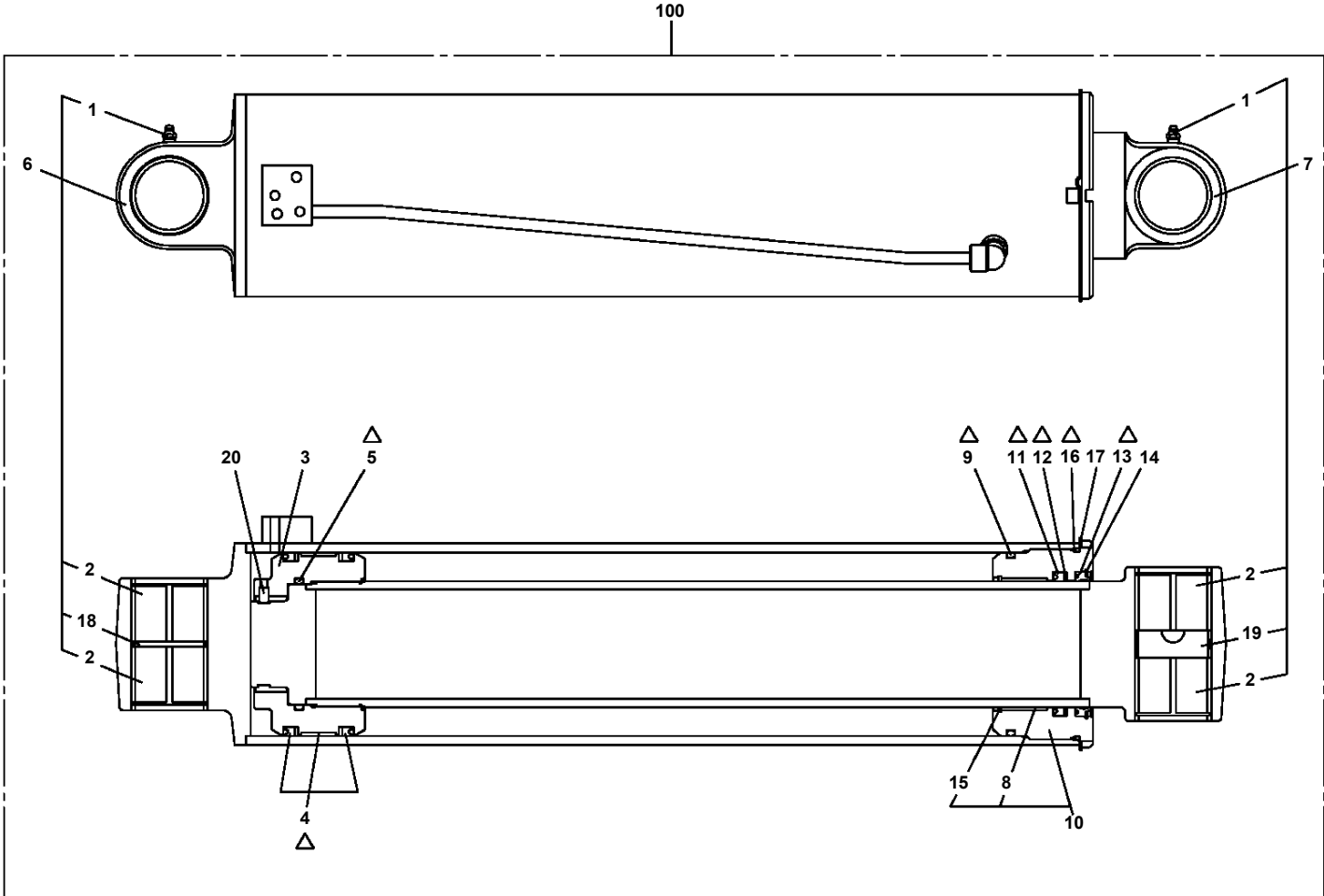
CLICK HERE TO **DOWNLOAD** THE COMPLETE MANUAL

TM-ZR500 31094011350A FRAME/ROUND TYPE
PB1320593-01 VALVE, MANUAL CONTROL



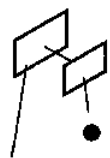
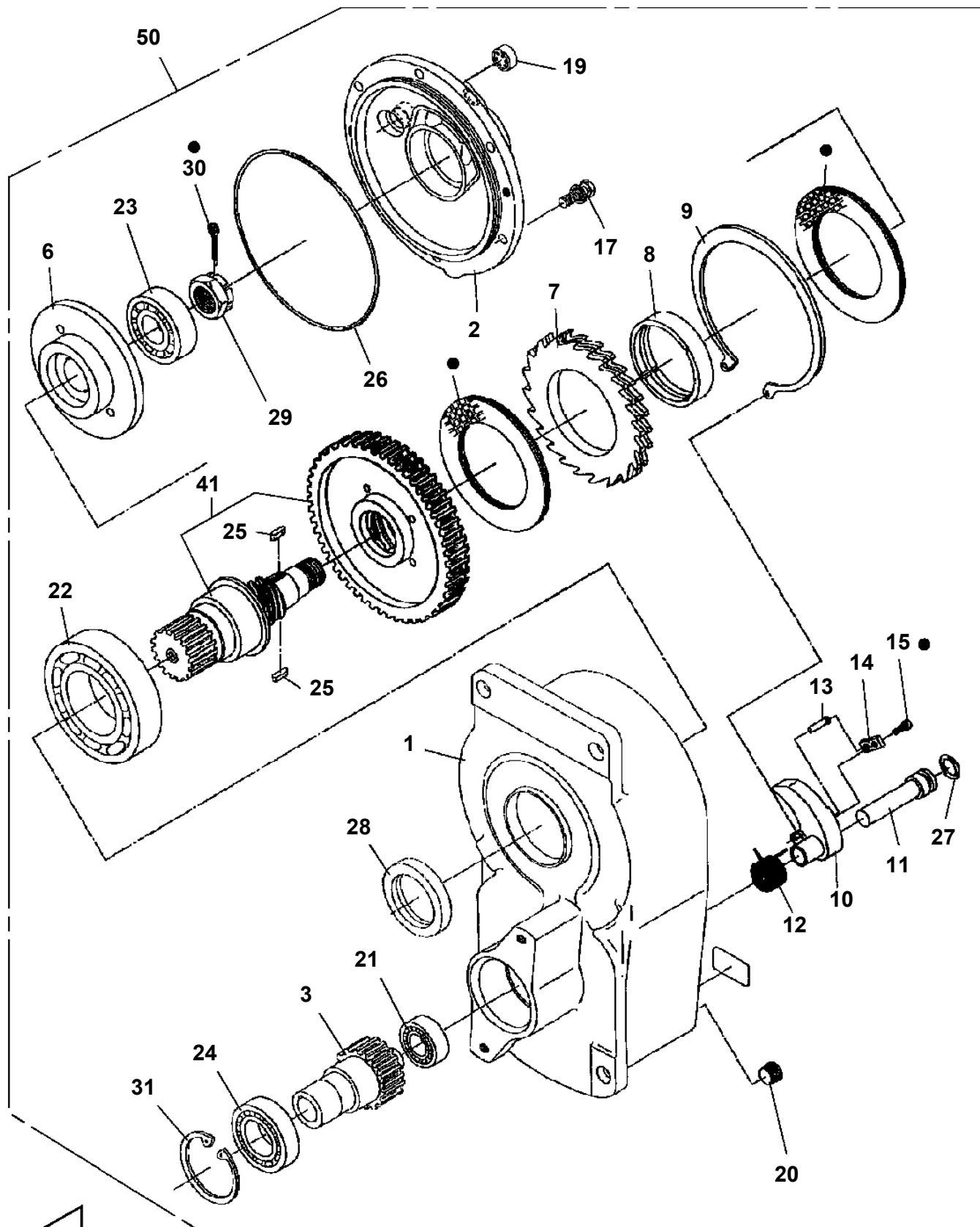
展開圖有
ILLUSTRATED BREAKDOWN NO. 6, 7, 8, 9

**TM-ZR500 31094011350A FRAME/ROUND TYPE
PC6370014-02 CYLINDER ASSY,DERRICK**



Δ:PACKING SET KEY NO.50 (KEY NO.4,5,9,11,12,13,16)

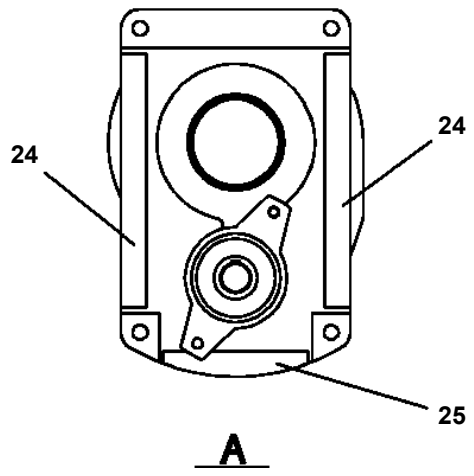
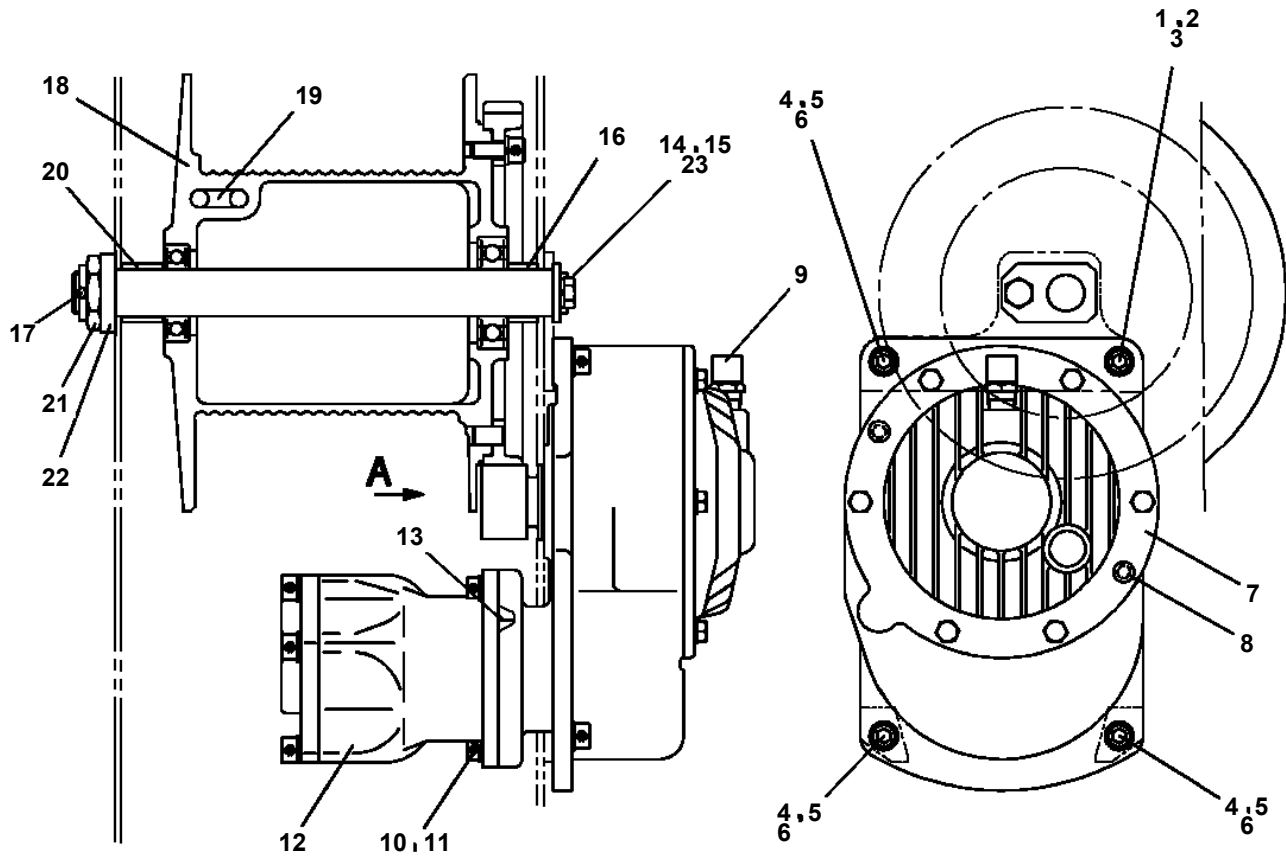
**TM-ZR500 31094011350A FRAME/ROUND TYPE
PF1010237-01 WINCH (OOKUBO)**



● Protective seal
 ● Replacement interval name plate

● : FACING KIT KEY NO.101 (JAPANESE)
 ● : FACING KIT KEY NO.102 (ENGLISH)

TM-ZR500 31094011350A FRAME/ROUND TYPE
PF1400382-00 MOUNT,WINCH



CLICK HERE TO **DOWNLOAD** THE COMPLETE MANUAL

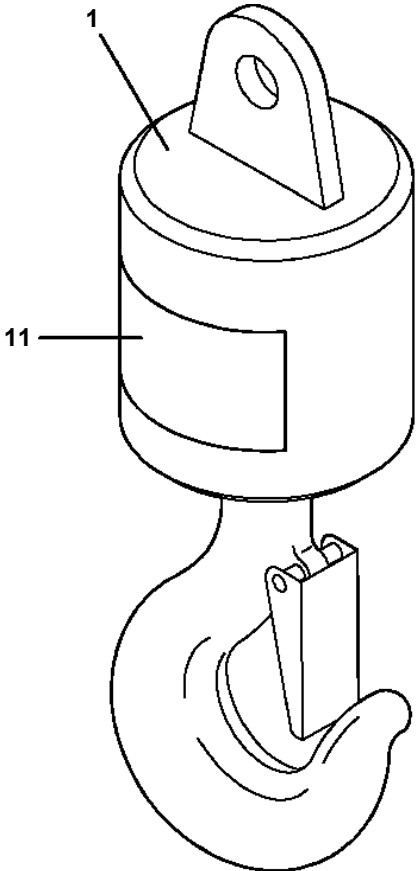
- Thank you very much for reading the preview of the manual.
- You can download the complete manual from: www.heydownloads.com by clicking the link below



- Please note: If there is no response to CLICKING the link, please download this PDF first and then click on it.

CLICK HERE TO **DOWNLOAD** THE COMPLETE MANUAL

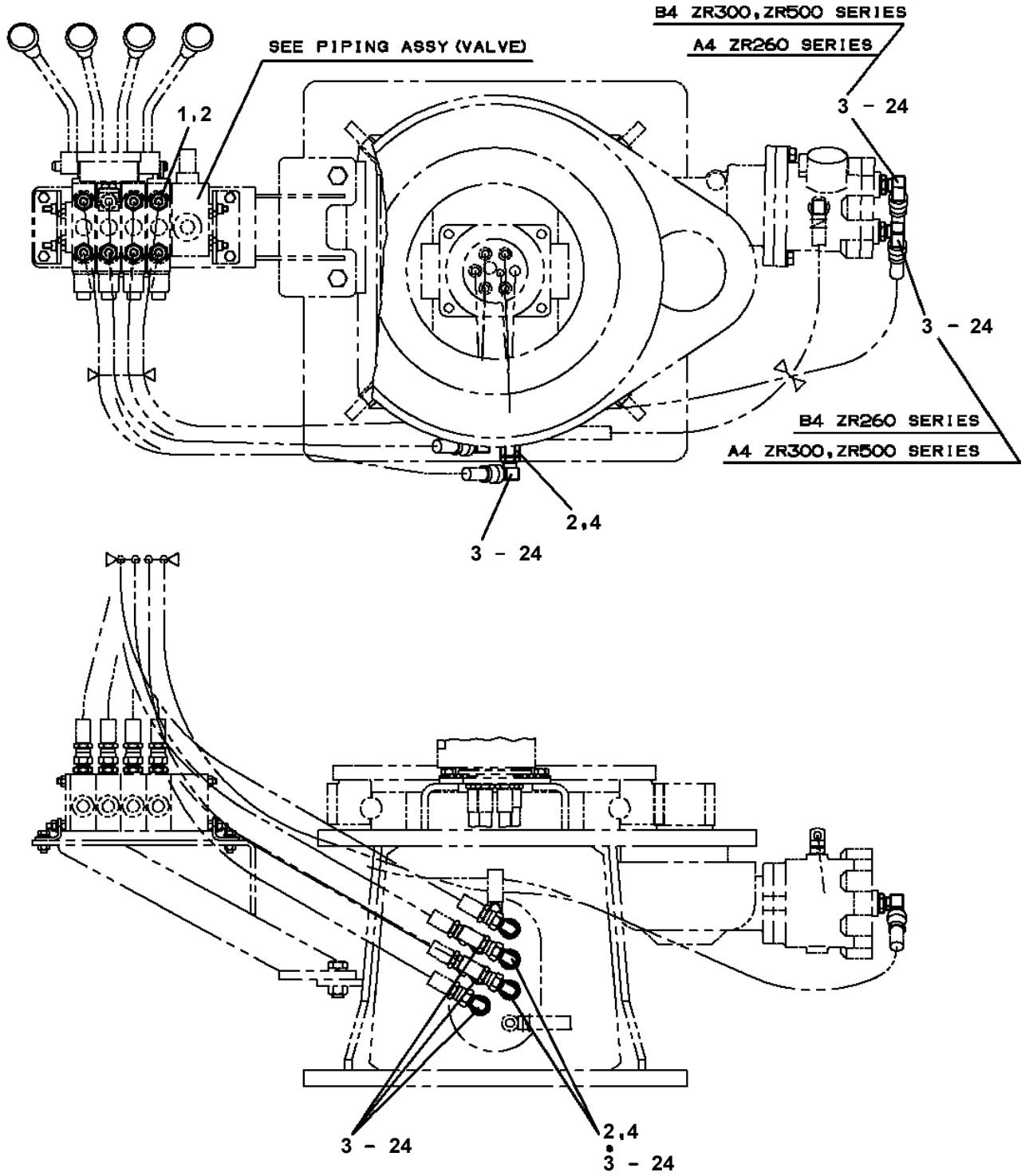
TM-ZR500 31094011350A FRAME/ROUND TYPE
PH5080090-00 HOOK ASSY



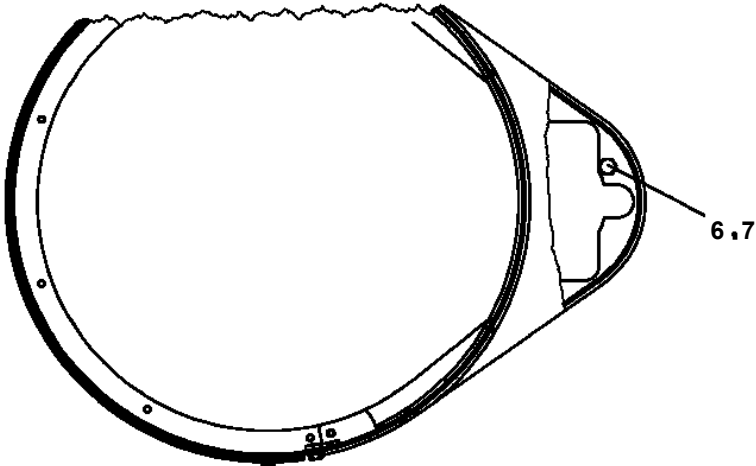
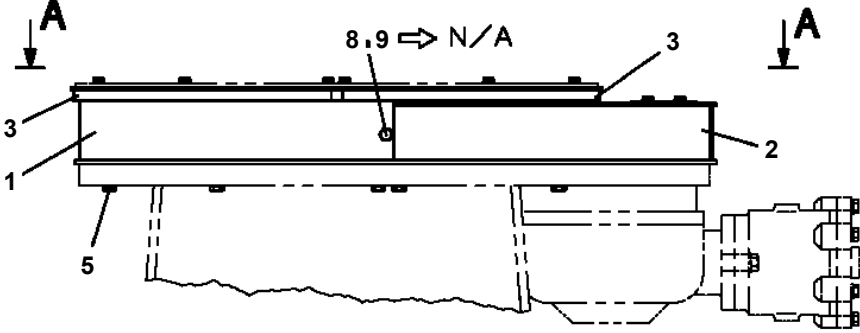
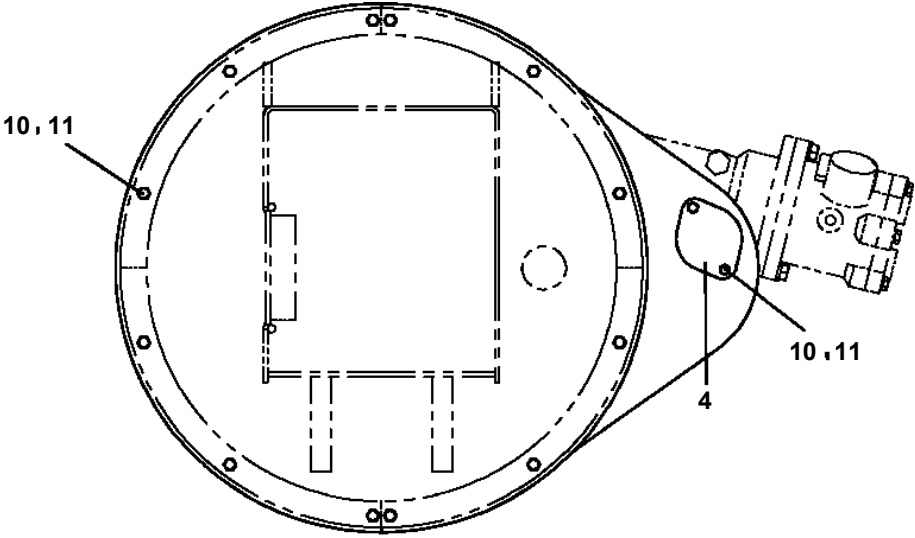
11

Lifting Capacity 750 kg
⚠ WARNING
<small>The lifting capacities for loadings with the electric line hook blocks are as shown in the lifting capacity table. However, if the values in the table exceed 200kg, consider that the lifting capacity is 200kg. The values in the lifting capacity table include the mass of the lifting device (the bar hook block).</small>
<small>200-000-12400</small>

**TM-ZR500 31094011350A FRAME/ROUND TYPE
PJ5080012-01 JOINT ASSY (MAIN,VALVE:SUS)**

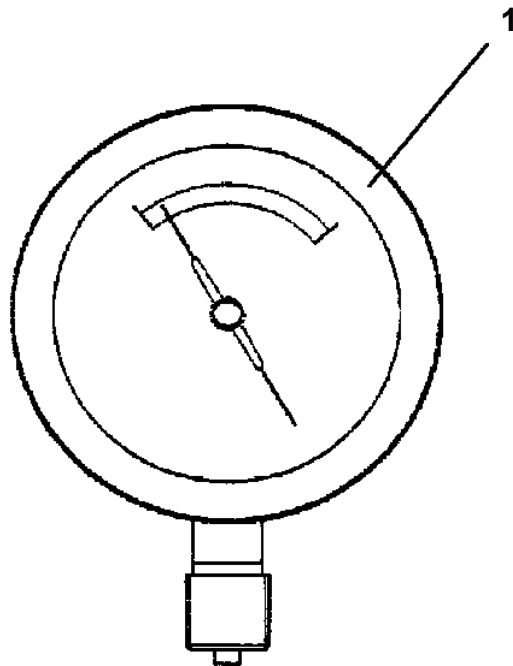


TM-ZR500 31094011350A FRAME/ROUND TYPE
PK1200402-01 COVER, SWING FRAME

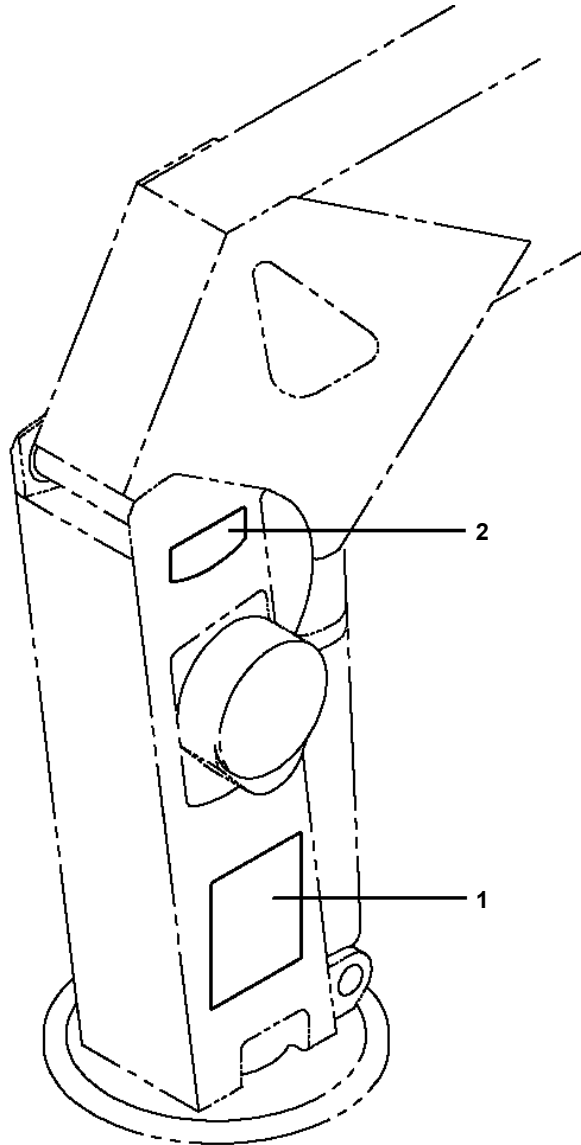


A-A

**TM-ZR500 31094011350A FRAME/ROUND TYPE
PM5120011-00 METER,HOOK LOAD (3.0TON/0.74TON,ENGLISH:KUSABA)**



**TM-ZR500 31094011350A FRAME/ROUND TYPE
PP5200487-00 PERFORMANCE DATA (ZR504MR)**



TM-ZR504MR Rated lifting capacities (kg)

3.57m/6.01m/8.37m Boom										
Booms	3.5	4.0	4.5	5.0	5.5	6.0	6.5	7.0	7.5	8.17
SWL(kg)	3000	2400	2000	1900	1700	1550	1400	1300	1200	1100

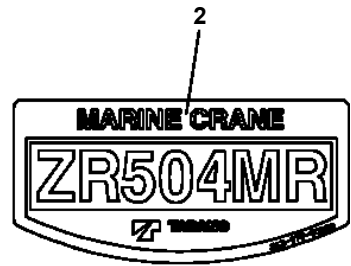
10.77m Boom										
Booms	4.5	4.5	5.0	6.0	7.0	8.0	9.0	10.0	10.25	
SWL(kg)	2000	1900	1700	1400	1250	1000	920	850	800	

NOTE

- The rated lifting capacity is determined based on the strength of the crane when all fixed and dunnage load capacity stability have considered.
- Pay special attention to the rated stability during crane operation.
- The load radius in this table does not include load radius which includes influence of boom deflection.
- If the boom length of your machine exceeds the length listed in this table with a 100mm offset, the table corresponding to the next longer boom.
- The above table includes one of four hook (20 ton).

WORKING RANGE

NOTE: The above table includes one of four hook (20 ton).



**TM-ZR500 31094011350A FRAME/ROUND TYPE
PY1001492-00 OPTIONS**

トクベツ ショウ
OPTIONS

〔組立名称一覧〕より選択してください。
SEE THE CORRESPONDING "ASSEMBLY NAME" LIST.

CLICK HERE TO **DOWNLOAD** THE COMPLETE MANUAL

- Thank you very much for reading the preview of the manual.
- You can download the complete manual from: www.heydownloads.com by clicking the link below



- Please note: If there is no response to CLICKING the link, please download this PDF first and then click on it.

CLICK HERE TO **DOWNLOAD** THE COMPLETE MANUAL