

**BT-400-1-31500 LOWER,HINO BDG-FS1EWYA**

PB3000258-00 POWER UNIT

PO1000156-00 INDICATION PLATES

PX2001130-00 CARRIER UNIT

PX3000480-00 MOUNTING UNIT

PY1001406-01 OPTIONS,1

ASSEMBLY

CLICK HERE TO **DOWNLOAD** THE COMPLETE MANUAL

- Thank you very much for reading the preview of the manual.
- You can download the complete manual from: [www.heydownloads.com](http://www.heydownloads.com) by clicking the link below



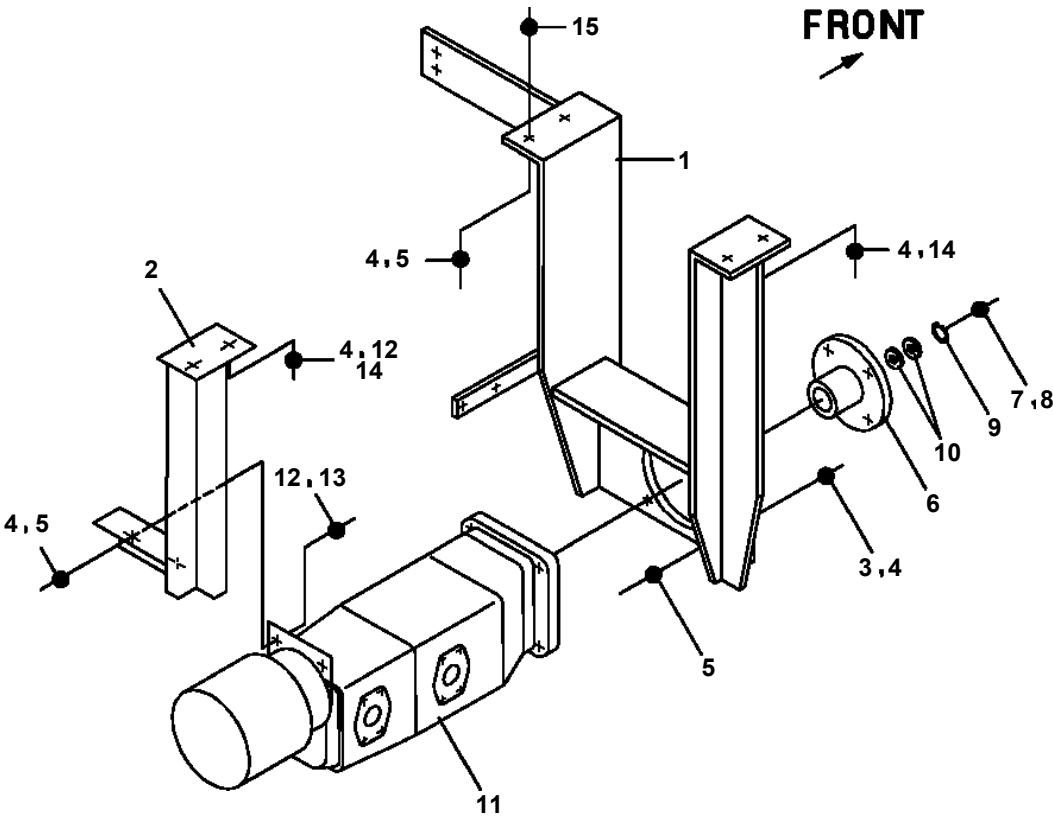
- Please note: If there is no response to CLICKING the link, please download this PDF first and then click on it.

CLICK HERE TO **DOWNLOAD** THE COMPLETE MANUAL

# BT-400-1-31500 LOWER,HINO BDG-FS1EWYA

Pos No.	Parts No	Parts Name	Qty	Unit	Technical Data	Serial No
1	(*****)	VIEW SYSTEM (BACK MONITOR)	1			
2	(*****)	ELEC.ASSY (FRUORESCENT LIGHT,SIGN PLATE/CYUGOKU)	1			
3	37001920310	ROPE,WIRE (TRACTION)	2			
4	(*****)	FIRE EXTINGUISHER (MOUNT)	1			
5	(*****)	ELEC.ASSY (BATTERY BREAKER)	1			
7	(*****)	ELEC.ASSY (FRUORESCENT LIGHT,SIGN PLATE)	1			

**BT-400-1-31500 LOWER,HINO BDG-FS1EWYA  
PB1100338-00 PUMP,HYDRAULIC (MOUNT)**



# BT-400-1-31500 LOWER,HINO BDG-FS1EWYA

Pos No.	Parts No	Parts Name	Qty	Unit	Technical Data	Serial No (Start)	Serial No (End)
2	42613591100	CASE,INNER	1				
3	42613371450	SUPPORT ASSY	1				
4	90101208020	BOLT	6		M8X20		
5	80400160127	JOINT	2				
6	91002801100	O-RING	2		1B P11		
7	36624750000	VALVE,PILOT CHECK (OUTRIGGER)	1				HB5790
	36624750001	VALVE ASSY,CHECK	1			HB5791	
8	90302040801	WASHER,SPRING	10		8		
9	90172108055	BOLT,HEXAGON SOCKET	4		M8X55		
12	37000170520	PIN	1				
13	37000533290	PLATE	2				
14	90191210020	BOLT	2		M10X20		
15	90302041001	WASHER,SPRING	4		10		
16	42613371300	COVER	1				
17	90303070801	WASHER,PLAIN	4		8		
18	90201200600	NUT	1		M6		
19	82100002004	CLAMP	1		WR8		
20	36035150000	CYLINDER,JACK	1				
21	37000112030	PIN	1				
22	80136325020	PIN,SPLIT	2		2.5X20		
23	37000170530	PIN	1				
24	90172110020	BOLT,HEXAGON SOCKET	2		M10X20		
25	42614542000	CASE,INNER	1				
26	82459103000	NIPPLE,GREASE	1		C-PT1/8		
27	37000155700	PIN	1				
28	80136340040	PIN,SPLIT	2		4X40		
29	82401800100	PLUG (FOR M10)	1				
30	82400000459	CAP	1				
31	42613371010	CHOKE	1				
51	36043110000	CYLINDER,EXTENSION	1				
52	42612991300	HARNESS (REAR,O/R)	1				HB5509
	42613671400	HARNESS	1			HB5510	
53	37002438070	HOSE,TWIN	1		L=2020		
54	91810130250	FASTENER	14				
61	90190000019	BOLT	2		M10X40		
62	34610053200	PLATE,SLIDE	1				
63	42613371460	SUPPORT	1				
73	80801005550	BEARING,PLAIN	2				
100	42614541000	OUTRIGGER (REAR)	1				

# BT-400-1-31500 LOWER,HINO BDG-FS1EWYA

Pos No.	Parts No	Parts Name	Qty	Unit	Technical Data	Serial No (Start)	Serial No (End)	Remark
2	42613371101	CASE,INNER	1					
3	42613371450	SUPPORT ASSY	1					
4	90101208020	BOLT	6		M8X20			
5	80400160127	JOINT	2					
6	91002801100	O-RING	2		1B P11			
8	90302040801	WASHER,SPRING	10		8			
9	90172108055	BOLT,HEXAGON SOCKET	4		M8X55			
10	90280200600	NUT,FLANGE	1		M6			
11	37000600700	CLAMP	1		12X3			
12	37000170520	PIN	1					
13	37000533290	PLATE	2					
14	90191210020	BOLT	2		M10X20			
15	90302041001	WASHER,SPRING	4		10			
16	42613371300	COVER	1					
17	90303070801	WASHER,PLAIN	4		8			
18	90201200600	NUT	1		M6			
19	82100002004	CLAMP	1		WR8			
20	36035140000	CYLINDER,JACK	1					
21	37000112030	PIN	1					
22	80136325020	PIN,SPLIT	2		2.5X20			
23	37000170530	PIN	1					
24	90172110020	BOLT,HEXAGON SOCKET	2		M10X20			
25	42613373001	CASE,INNER	1					
26	82459103000	NIPPLE,GREASE	1		C-PT1/8			
27	37000155700	PIN	1					
28	80136340040	PIN,SPLIT	2		4X40			
29	82401800100	PLUG (FOR M10)	1					
30	82400000459	CAP	1					
31	42613371010	CHOKE	1					
32	36624750001	VALVE ASSY,CHECK	1					
	36626300000	VALVE ASSY,CHECK	1			HB6525	HB6524	
51	36043110000	CYLINDER,EXTENSION	1					
52	42612951300	HARNESS	1					
53	37002439500	HOSE,TWIN	1		L=2270			
54	91810130250	FASTENER	15					
61	90190000019	BOLT	2		M10X40			
62	34610053200	PLATE,SLIDE	1					
63	42613371460	SUPPORT	1					
73	80801005550	BEARING,PLAIN	2					
100	42613371001	CASE ASSY,INNER (FRONT)	1					

# BT-400-1-31500 LOWER,HINO BDG-FS1EWYA

Pos No.	Parts No	Parts Name	Qty	Unit	Technical Data	Serial No (Start)	Serial No (End)	Remarks	Pages
2	42739937510	BRACKET	1				HB6037		
3	42739937520	HOOD	1				HB6037		
10	42739937530	BRACKET ASSY	1				HB6037		
21	42739937511	BRACKET	1			HB6038			
31	42739937521	HOOD	1			HB6038			
100	42739931150	CAMERA	1						

# BT-400-1-31500 LOWER,HINO BDG-FS1EWYA

Pos No.	Parts No	Parts Name	Qty	Unit	Technical Data	Serial No (Start)	Serial No (End)	Remarks	Pages
100	42808300100	HARNESS	1						

CLICK HERE TO **DOWNLOAD** THE COMPLETE MANUAL

- Thank you very much for reading the preview of the manual.
- You can download the complete manual from: [www.heydownloads.com](http://www.heydownloads.com) by clicking the link below



- Please note: If there is no response to CLICKING the link, please download this PDF first and then click on it.

CLICK HERE TO **DOWNLOAD** THE COMPLETE MANUAL

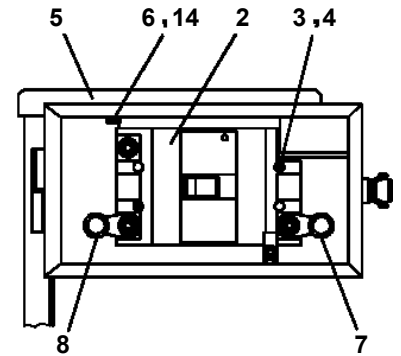
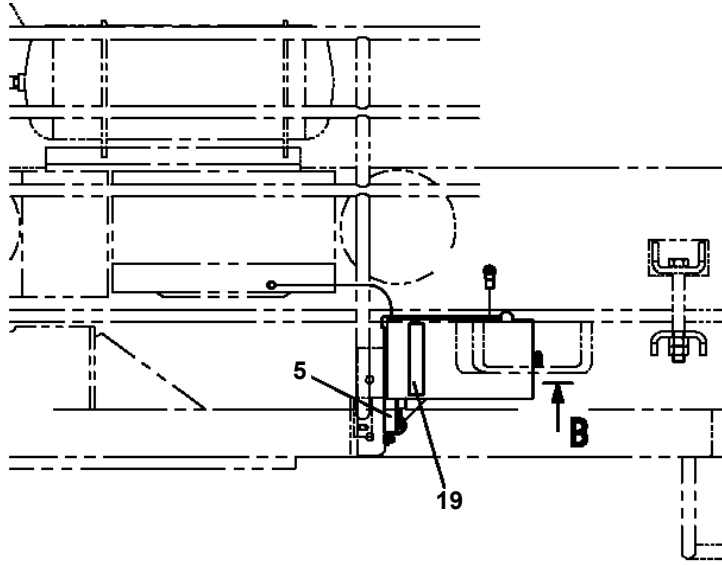
# BT-400-1-31500 LOWER,HINO BDG-FS1EWYA

Pos No.	Parts No	Parts Name	Qty	Unit	Technical Data	Serial No (Start)	Serial No (End)	Remarks	Pages
100	42900150010	HARNESS	1						

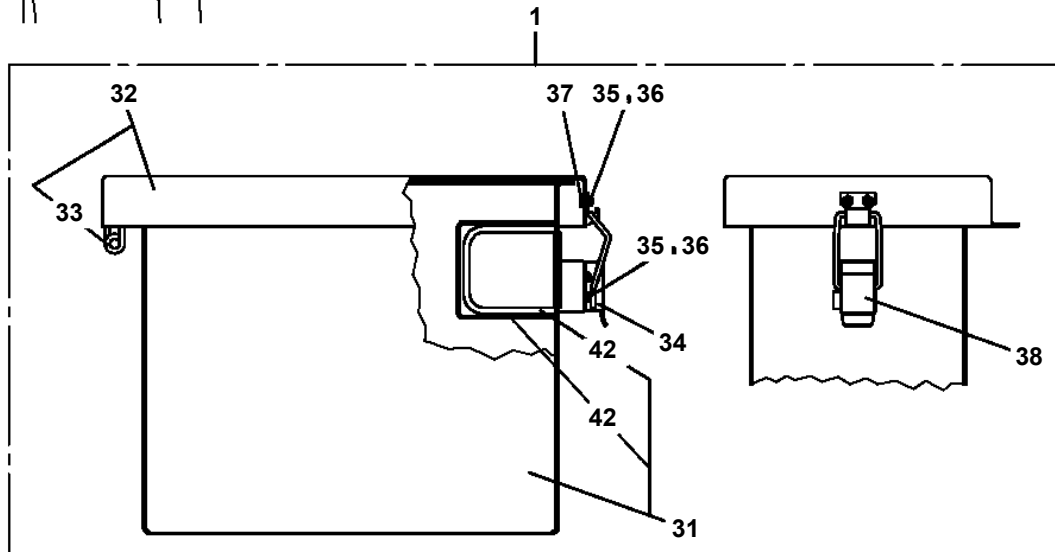
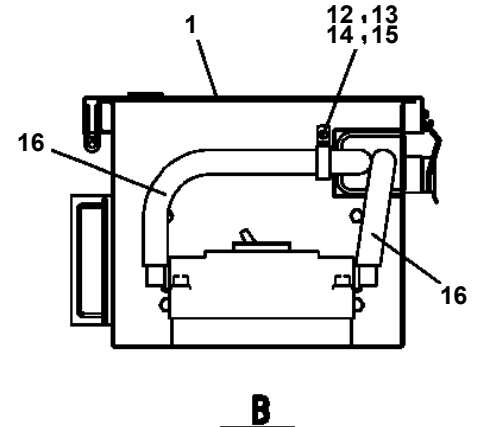
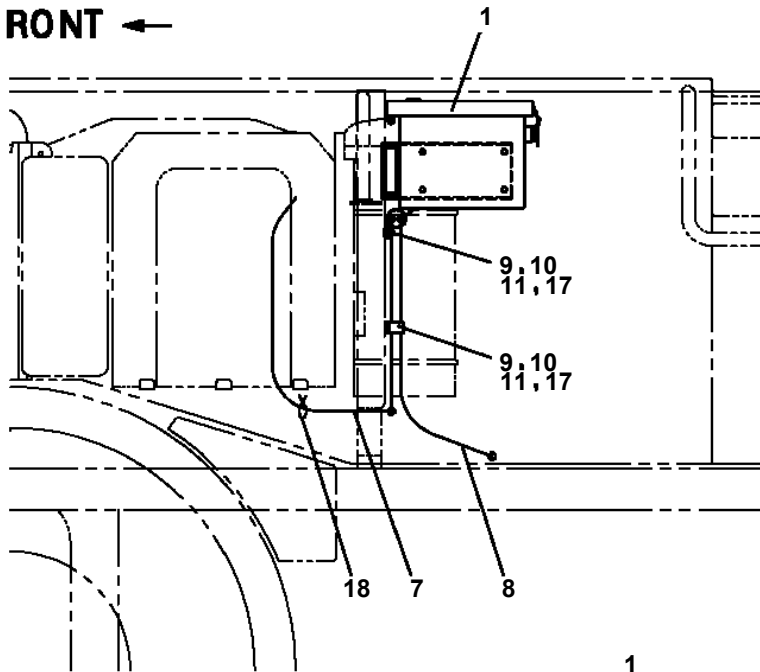
# BT-400-1-31500 LOWER,HINO BDG-FS1EWYA

Pos No.	Parts No	Parts Name	Qty	Unit	Technical Data	Serial No (Start)	Serial No (End)	Remarks	Pages
1	42846500100	WEIGHT	1						
2	42846500401	WEIGHT	1						
3	90171116140	BOLT	6		M16X140				
4	90302041601	WASHER,SPRING	8		16				
5	90101216020	BOLT	2		M16X20				

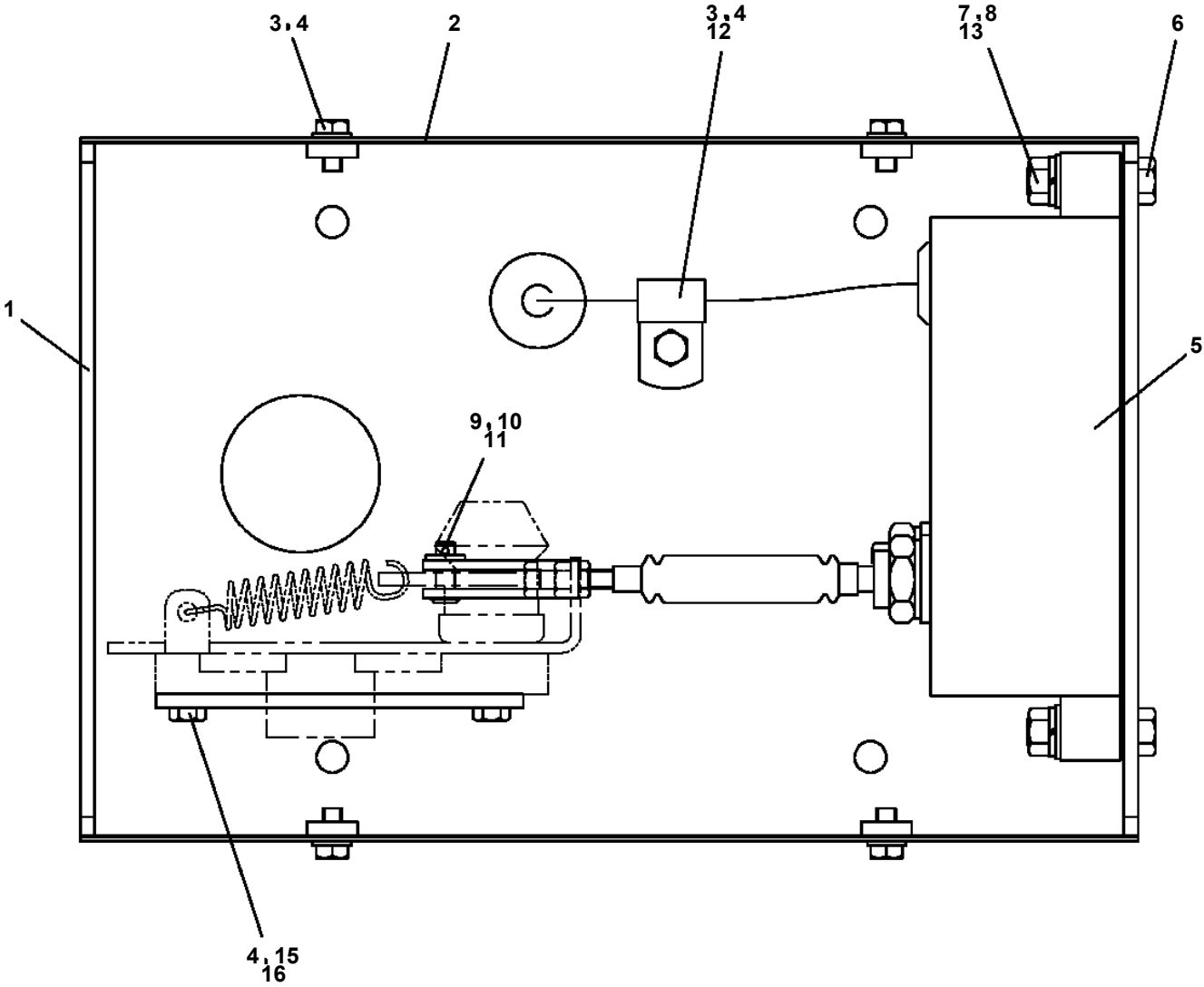
**BT-400-1-31500 LOWER,HINO BDG-FS1EWYA  
PN1014464-01 ELEC.ASSY (BATTERY BREAKER)**



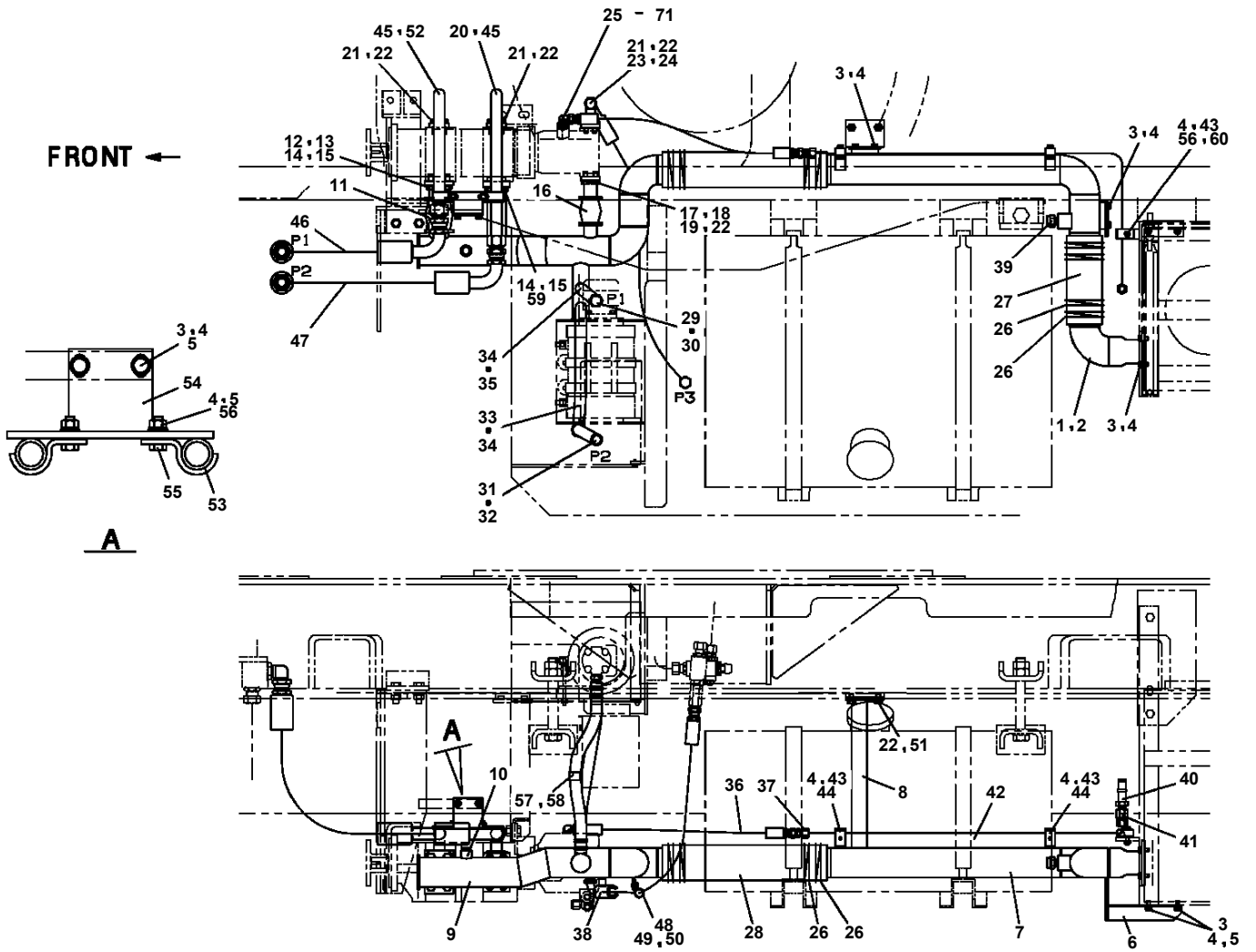
**FRONT ←**



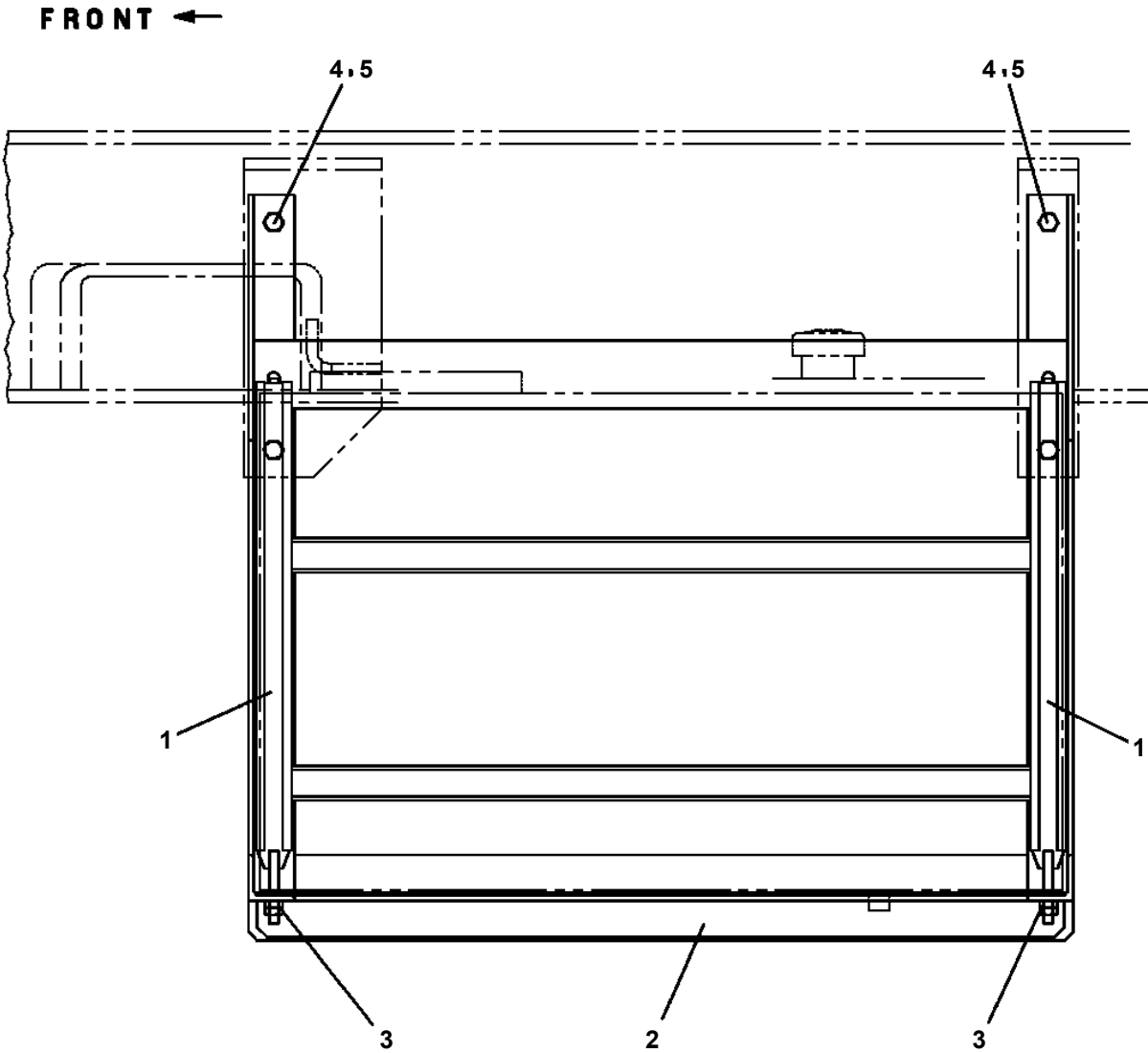
**BT-400-1-31500 LOWER,HINO BDG-FS1EWYA  
PN1410014-00 MOTOR,ELECTRIC**



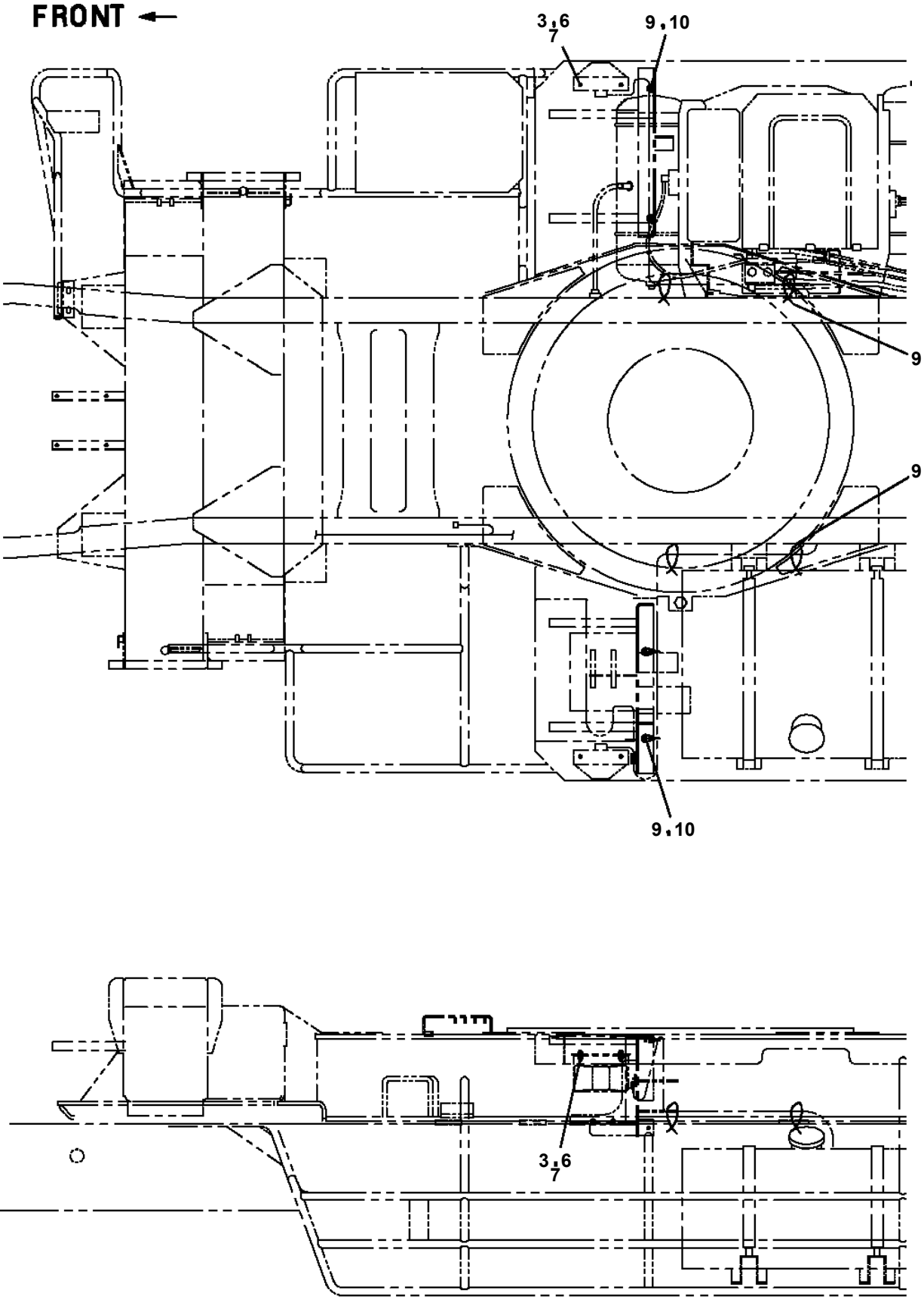
**BT-400-1-31500 LOWER,HINO BDG-FS1EWYA  
PP6210015-00 PIPING ASSY,MOUNTING**



**BT-400-1-31500 LOWER,HINO BDG-FS1EWYA  
PX1100252-00 TANK SUPPORT**



**BT-400-1-31500 LOWER,HINO BDG-FS1EWYA  
PX1310286-01 MOUNT,LAMP (TAIL)**



中央方向指示器取付

CLICK HERE TO **DOWNLOAD** THE COMPLETE MANUAL

- Thank you very much for reading the preview of the manual.
- You can download the complete manual from: [www.heydownloads.com](http://www.heydownloads.com) by clicking the link below



- Please note: If there is no response to CLICKING the link, please download this PDF first and then click on it.

CLICK HERE TO **DOWNLOAD** THE COMPLETE MANUAL