

BT-200-1-40101 UPPER,LOWER,ISUZU KK-NPR72GY

PD2000011-01 SWING UNIT
PG2000012-00 BOOM UNIT (UPPER)
PG2000013-00 BOOM UNIT (POST)
PG2000014-00 BOOM UNIT (LOWER BOOM)
PH1000449-00 SAFETY DEVICES (AML)
PJ3000177-00 PLATFORM SYSTEM
PK2000089-01 FRAME UNIT
PN1000405-00 ELECTRIC EQUIPMENT (GENERATOR)
PO1000131-03 INDICATION PLATES
PW1000028-00 ACCESSORIES & TOOLS
PX2000013-01 CARRIER UNIT
PX3000016-01 MOUNTING UNIT
PY1000498-03 OPTIONS
ASSEMBLY

CLICK HERE TO **DOWNLOAD** THE COMPLETE MANUAL

- Thank you very much for reading the preview of the manual.
- You can download the complete manual from: www.heydownloads.com by clicking the link below



- Please note: If there is no response to CLICKING the link, please download this PDF first and then click on it.

CLICK HERE TO **DOWNLOAD** THE COMPLETE MANUAL

BT-200-1-40101 UPPER,LOWER,ISUZU KK-NPR72GY

Pos No.	Parts No	Parts Name	Qty	Unit	Technical Data	Serial No (Start)	Serial No (End)	Re
1	36119000000	CONTROL BOX (KOREAN VOICE)	1					
	42351041002	CONTROL BOX (RC COMPUTER)	1					

BT-200-1-40101 UPPER,LOWER,ISUZU KK-NPR72GY

Pos No.	Parts No	Parts Name	Qty	Unit	Technical Data	Serial No (Start)	Serial No (End)	Remarks	Pages
1	(*****)	ACCESSORIES	1						000176

BT-200-1-40101 UPPER,LOWER,ISUZU KK-NPR72GY

PY2200013-05 INTERPHONE

PY2200032-00 INTERPHONE

BT-200-1-40101 UPPER,LOWER,ISUZU KK-NPR72GY

Pos No.	Parts No	Parts Name	Qty	Unit	Technical Data	Serial No (Start)	Serial No (End)	Rema
2	90101508016	BOLT	6		M8X16		HB6427	
	99163008016	BOLT (M8X16)	6			HB6428		
3	90302040801	WASHER,SPRING	6		8		HB6427	
4	53156005000	BREATHER ASSY (OB-10T)	1					
5	36100615010	COVER	1					
6	91001218500	O-RING	1		1A G185			
7	91801300150	CLIP	2		D=13-15		HB6427	
	91803880040	CLIP	2		D=10-12.2	HB6428		
8	36102025010	HOSE	1				HB6427	
	37002516440	HOSE	1		L=140	HB6428		
9	80316080060	PLUG	1					
21	53156005010	ELEMENT (OB-10T & OB-10B)	1				HB5346	
	53156005011	ELEMENT	1			HB5347		
22	53156005020	PACKING SET	1				HB5374	
53	53156005030	PLATE (WITH PACKING)	1			HB5375		
54	53156005040	PACKING	1			HB5375		
100	36102020000	TANK,OIL	1					

BT-200-1-40101 UPPER,LOWER,ISUZU KK-NPR72GY

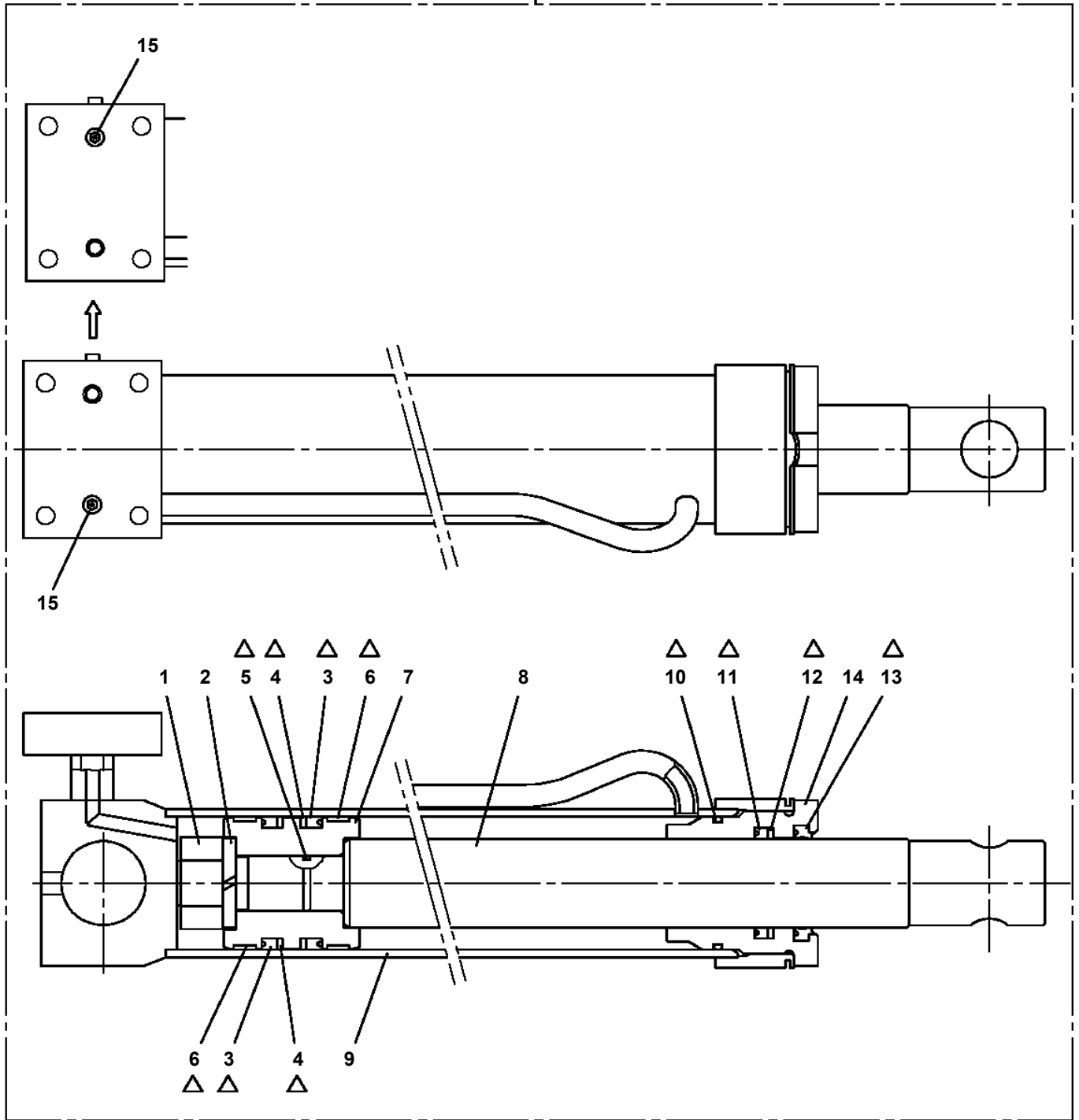
Pos No.	Parts No	Parts Name	Qty	Unit	Technical Data	Serial No (Start)	Serial No (End)	Remarks	Pages
1	37002439560	HOSE	1		L=1450				
2	37002443070	HOSE	1		L=1500				
3	37002414080	HOSE	1		L=1700				
4	37002436720	HOSE	1		L=1850		HB5259		
	37002442410	HOSE	1		L=1500	HB5265			
5	37002442350	HOSE	1		L=1550				
6	37002417360	HOSE	1		L=1800				
7	37002457650	HOSE	1		L=1650		HB5259		
	37002442350	HOSE	1		L=1550	HB5265			
8	37002419470	HOSE	1		L=1750				
9	37002453000	HOSE	1		L=2050		HB5259		
	37002453000	HOSE	1		L=2050	HB5265			
10	37002458630	HOSE	1		L=1800		HB5259		
	37002458630	HOSE	1		L=1800	HB5265			
11	37000714050	CLAMP ASSY	2		18X3				
12	37000300740	SLEEVE	5		18-12				
13	37000714100	CLAMP ASSY	1		18X6				
14	37000714040	CLAMP ASSY	1		18X2				
15	37000711330	CLAMP ASSY	1		18X2-22				
16	91810130240	FASTENER	5				HB5380		
	91810130240	FASTENER	6			HB5381			
17	82100001412	TUBE, SPIRAL	8	M	SE-12BK				
18	80481102030	JOINT	2		L G1/4-G3/8				
19	91002801100	O-RING	4		1B P11				
20	80430620400	JOINT	1				HB5215		
21	37000921300	JOINT	2		S,PF1/4-PF1/4		HB5215		
	37000921300	JOINT	1		S,PF1/4-PF1/4	HB5216			
22	37002417940	HOSE	1		L=1850				
23	80481302020	JOINT	1		G1/4-G1/4	HB5216			
31	91002801100	O-RING	1		1B P11		HB5215		

BT-200-1-40101 UPPER,LOWER,ISUZU KK-NPR72GY

Pos No.	Parts No	Parts Name	Qty	Unit	Technical Data	Serial No (Start)	Serial No (End)	Remarks	P
66	80320030075	FITTING,ELBOW	5		KLE12-020N				
67	81408000160	PIPE,STEEL	1	M	12X1.4T				
68	81408000160	PIPE,STEEL	1	M	12X1.4T				
69	37002412790	HOSE	1		L=1120				
70	37002456680	HOSE	3		L=990				
71	81408000160	PIPE,STEEL	1	M	12X1.4T				
72	81408000160	PIPE,STEEL	1	M	12X1.4T				
73	81408000160	PIPE,STEEL	1	M	12X1.4T				
74	81408000160	PIPE,STEEL	1	M	12X1.4T				
75	81408000160	PIPE,STEEL	1	M	12X1.4T				
76	81408000160	PIPE,STEEL	1	M	12X1.4T				
77	81408000210	PIPE,STEEL	1	M	15X2.0T				
78	90101208050	BOLT	5		M8X50				
79	90101208040	BOLT	2		M8X40				
80	90302040801	WASHER,SPRING	11		8				
81	90303070801	WASHER,PLAIN	7		8				
83	81408000241	PIPE,STEEL	1	M	18X1.9T				
84	37002470650	HOSE	1		L=780				
85	82100002018	CLAMP	2		WR35				
86	82100002010	CLAMP	1		WR15				
87	82100001412	TUBE,SPIRAL	1	M	SE-12BK				
88	90201200800	NUT	5		M8				
89	90101208010	BOLT	2		M8X10				
90	90101206010	BOLT	1		M6X1.0				
91	90302040601	WASHER,SPRING	1		6				
92	81408000241	PIPE,STEEL	2	M	18X1.9T				
93	90101208025	BOLT	2		M8X25				
94	82100001819	TUBE,SPIRAL	1	M	SE-18BK				
95	37002449600	HOSE	2		L=375				
96	37002425880	HOSE	1		L=950				
97	37002453130	HOSE	1		L=850				
98	37002468000	HOSE	1		L=1230				
99	37002443230	HOSE	1		L=1320				
100	81408000241	PIPE,STEEL	2	M	18X1.9T				
101	81408000241	PIPE,STEEL	2	M	18X1.9T				
102	37000711090	CLAMP ASSY	1		18X2				
103	80303010160	FITTING,ELBOW	2		KLA18-000N				
104	80491303020	JOINT (WITH O-RING)	2		L,G3/8-G1/4				
105	80302090141	FITTING	1		KCO12-020N				
121	91002801100	O-RING	12		1B P11				
131	91002801800	O-RING	2		1B P18				
141	91002801400	O-RING	4		1B P14				

**BT-200-1-40101 UPPER,LOWER,ISUZU KK-NPR72GY
PC1030273-01 CYLINDER,JACK (FRONT)**

50



Δ:PACKING SET KEY NO.31 (KEY NO.3,4,5,6,10,11,12,13)

BT-200-1-40101 UPPER,LOWER,ISUZU KK-NPR72GY

Pos No.	Parts No	Parts Name	Qty	Unit	Technical Data	Serial No (Start)	Serial No (End)	Remarks	Pages
1	37000105720	PIN	2						
2	42893310300	LEVER	1						
3	90303071001	WASHER,PLAIN	1		10				
4	80136332020	PIN,SPLIT	1		3.2X20				
5	90303070601	WASHER,PLAIN	2		6				
6	80136320010	PIN,SPLIT	2		2X10				
7	42895931000	LINK ASSY	1						
8	90101208020	BOLT	2		M8X20				
9	82100002006	CLAMP	3		WR10				
10	90302040601	WASHER,SPRING	3		6				
11	90201200600	NUT	3		M6				
12	37001702800	CABLE,CONTROL	1		L=2950				
13	90302040801	WASHER,SPRING	2		8				
14	90303070801	WASHER,PLAIN	2		8				
15	37000566320	PLATE	N		T=1.0				
16	37000566340	PLATE	N		T=0.3				
31	42895931100	SUPPORT	1						
32	42895931200	LINK	1						
33	37001300360	SPRING	1						
34	90101208040	BOLT	1		M8X40				
35	90201200800	NUT	1		M8				
36	80136325018	PIN,SPLIT	1						
37	90303071001	WASHER,PLAIN	1		10				

BT-200-1-40101 UPPER,LOWER,ISUZU KK-NPR72GY

Pos No.	Parts No	Parts Name	Qty	Unit	Technical Data	Serial No (Start)	Serial No (End)	Remarks	Pages
1	42353890100	CABLE (L=9900)	1						

BT-200-1-40101 UPPER,LOWER,ISUZU KK-NPR72GY

Pos No.	Parts No	Parts Name	Qty	Unit	Technical Data	Serial No (Start)	Serial No (End)	Rema
1	37002301480	BEARING,SWING	1					
2	82400000459	CAP	2					
3	36081180000	REDUCER,SWING SPEED	1					
4	91001208500	O-RING	1		1A G85			
5	90172112035	BOLT,HEXAGON SOCKET	2		M12X35			
6	90302041201	WASHER,SPRING	2		12			
7	36662600000	MOTOR,HYDRAULIC (SWING)	1				HB5418	
	36663950000	MOTOR,HYDRAULIC	1			HB5419		
8	90171116050	BOLT	4		M16X50			
9	31300140010	BOLT	20		M22X79			
10	90172116035	BOLT,HEXAGON SOCKET	2		M16X35			
11	90102216055	BOLT	1		M16X55			
12	90201201600	NUT	1		M16			
13	90303501601	WASHER,PLAIN	4		16			
14	82458102000	NIPPLE,GREASE	2		B-PT1/8			

BT-200-1-40101 UPPER,LOWER,ISUZU KK-NPR72GY

Pos No.	Parts No	Parts Name	Qty	Unit	Technical Data	Serial No (Start)	Serial No (End)	Remarks	P
1	36024740103	CYLINDER	1						
2	80720105040	PIN,SPRING	1		5X40				
3	36023950200	PISTON	1						
4	91684013500	PACKING	2						
5	91411212001	RING,BACKUP	2						
6	91302213500	BEARING,PLAIN	2						
7	91002807500	O-RING	1		1B P75				
8	36024740301	ROD	1						
9	91002812500	O-RING	1		1B P125				
10	36024740400	COVER,ROD	1						
11	91694010000	PACKING	1						
12	91410210000	RING,BACKUP	1						
13	91660010000	SEAL,DUST	1						
14	80622001000	RING,RITAINING	1		SP100				
15	82458202000	NIPPLE,GREASE	2		B-TYPE PT1/8				
16	80316070040	PLUG	1		PF1/4				
17	91002801100	O-RING	1		1B P11				
32	37000400950	BEARING,PLAIN	2						
44	37000401870	BEARING,PLAIN	2						
51	80612111080	RING,RITAINING	1		AR108				
53	56452256000	BEARING,PLAIN	1						
61	36024749900	PACKING SET	1		100X135				
100	36024740003	CYLINDER,ELEVATING	1						

BT-200-1-40101 UPPER,LOWER,ISUZU KK-NPR72GY

Pos No.	Parts No	Parts Name	Qty	Unit	Technical Data	Serial No (Start)	Serial No (End)	Remarks
2	36671085040	COVER,HEAD	1					
3	36671085020	CASE	1					
4	36671085060	FLANGE	1					
5	36671085030	GASKET	1					
7	90131510035	BOLT,HEXAGON SOCKET	4		M10X35			
20	36671085050	ELEMENT KIT	1					
50	36671080000	FILTER ASSY	1					

BT-200-1-40101 UPPER,LOWER,ISUZU KK-NPR72GY

Pos No.	Parts No	Parts Name	Qty	Unit	Technical Data	Serial No (Start)	Serial No (End)	Remark
1	36014640001	CYLINDER,TELESCOPING	1					
2	36601310000	VALVE,COUNTERBALANCE	1					
3	90172108080	BOLT,HEXAGON SOCKET	4		M8X80			
11	91660006501	SEAL,DUST	1					
12	91410206503	RING,BACKUP	1					
13	91694106500	PACKING	1					
15	91002908000	O-RING	1		1B G80			
16	36014643001	ROD	1					
17	36014642001	CYLINDER	1					
18	91002803600	O-RING	1		1B P36			
19	91411206502	RING,BACKUP	2					
20	91684008001	PACKING	2					
21	36014641000	PISTON	1					
22	91302208000	BEARING,PLAIN	2					
23	37001602080	NUT	1					
24	80801006530	BEARING,PLAIN	1					
25	80612110700	RING,RITAINING	1		AR70			
41	36014649900	PACKING SET	1					
51	36014649510	COVER,ROD	1					

BT-200-1-40101 UPPER,LOWER,ISUZU KK-NPR72GY

Pos No.	Parts No	Parts Name	Qty	Unit	Technical Data	Serial No (Start)	Serial No (End)	F
1	36131215010	PLATE (BASE)	1					
2	36130885011	DRUM ASSY	1					
3	36131215020	CASE	1					
4	36131215030	COVER	1					
5	36130885020	PACKING	1					
6	36131335010	POTENTIOMETER	1					
7	36130885031	GEAR	1		24T			
8	36130885041	GEAR	1		20T			
9	36131215040	BRACKET	1					
10	36130235100	CLAMP (CORD)	1					
11	36130235090	WASHER,SEAL	1					
12	82100001155	CONNECTOR	1					
13	36130885050	CABLE ASSY (WITH CONNECTOR)	1		L=600			
14	32360005160	CLIP (NYLON)	1					
15	36130935010	STOPPER	2					
16	36131185030	PACKING	1					
23	90750004041	SCREW,SET	1		M4X4			
41	82100001410	TUBE,SPIRAL	1	M	SE-04BK			
42	36131215070	WIRE ASSY	1		L=3085			
50	36131210000	DETECTOR,BOOM LENGTH	1					

BT-200-1-40101 UPPER,LOWER,ISUZU KK-NPR72GY

Pos No.	Parts No	Parts Name	Qty	Unit	Technical Data	Serial No (Start)	Serial No (End)	Remarks	Pages
1	42782011101	SUPPORT	1						
2	42782011200	CLAMP	2						
3	42782011011	PLATE	1						
4	82199101277	MIRROR	1						
5	90101208025	BOLT	4		M8X25				
6	90302040801	WASHER,SPRING	6		8				
7	90101208012	BOLT	2		M8X12				
8	90302040601	WASHER,SPRING	2		6				

BT-200-1-40101 UPPER,LOWER,ISUZU KK-NPR72GY

Pos No.	Parts No	Parts Name	Qty	Unit	Technical Data	Serial No (Start)	Serial No (End)	Remarks	Pages
100	42611870020	HARNESS	1						

BT-200-1-40101 UPPER,LOWER,ISUZU KK-NPR72GY

Pos No.	Parts No	Parts Name	Qty	Unit	Technical Data	Serial No (Start)	Serial No (End)	Remarks	Pages
100	42331094020	HARNESS	1						

BT-200-1-40101 UPPER,LOWER,ISUZU KK-NPR72GY

Pos No.	Parts No	Parts Name	Qty	Unit	Technical Data	Serial No (Start)	Serial No (End)	Remarks	Pages
100	42652131400	HARNESS	1						

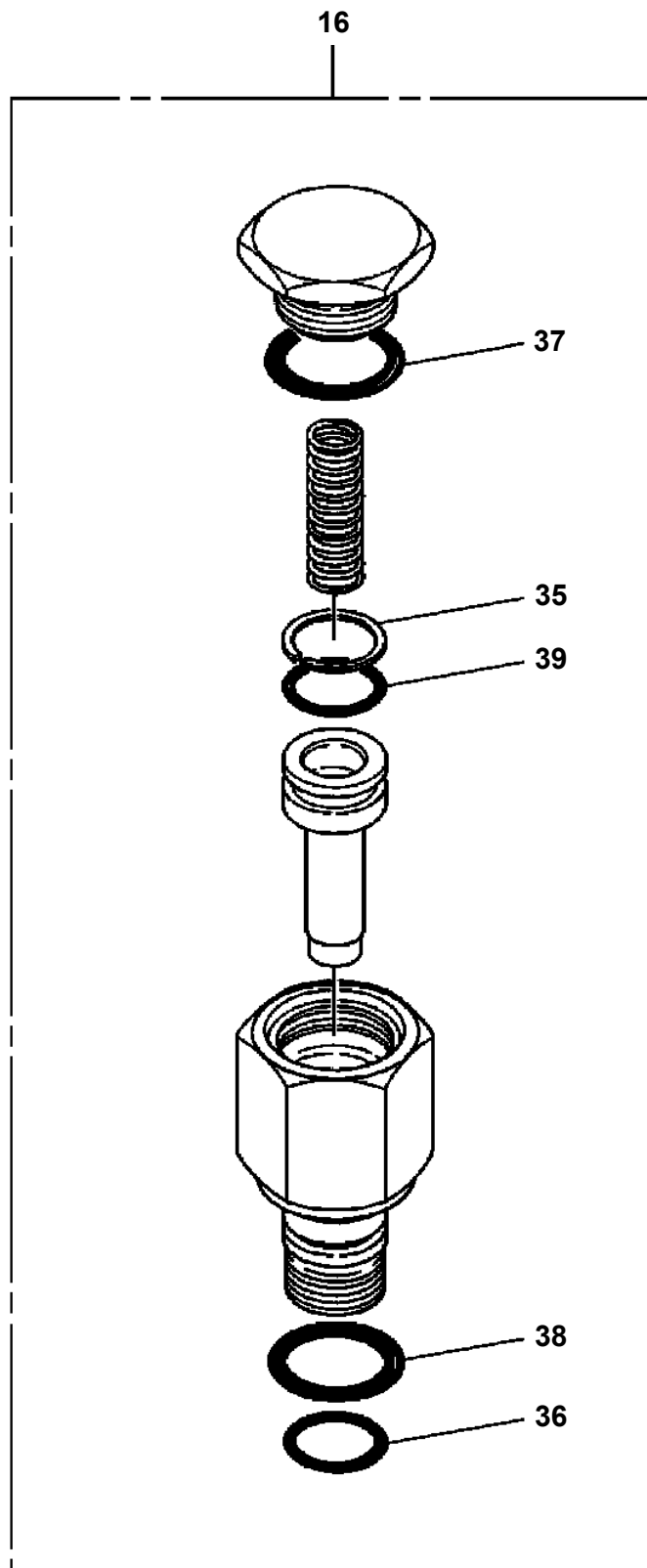
BT-200-1-40101 UPPER,LOWER,ISUZU KK-NPR72GY

Pos No.	Parts No	Parts Name	Qty	Unit	Technical Data	Serial No (Start)	Serial No (End)	Remarks	Pages
100	42714372000	HARNESS	1						

BT-200-1-40101 UPPER,LOWER,ISUZU KK-NPR72GY

Pos No.	Parts No	Parts Name	Qty	Unit	Technical Data	Serial No (Start)	Serial No (End)	Remarks	Pages
100	42712331010	HARNESS	1						

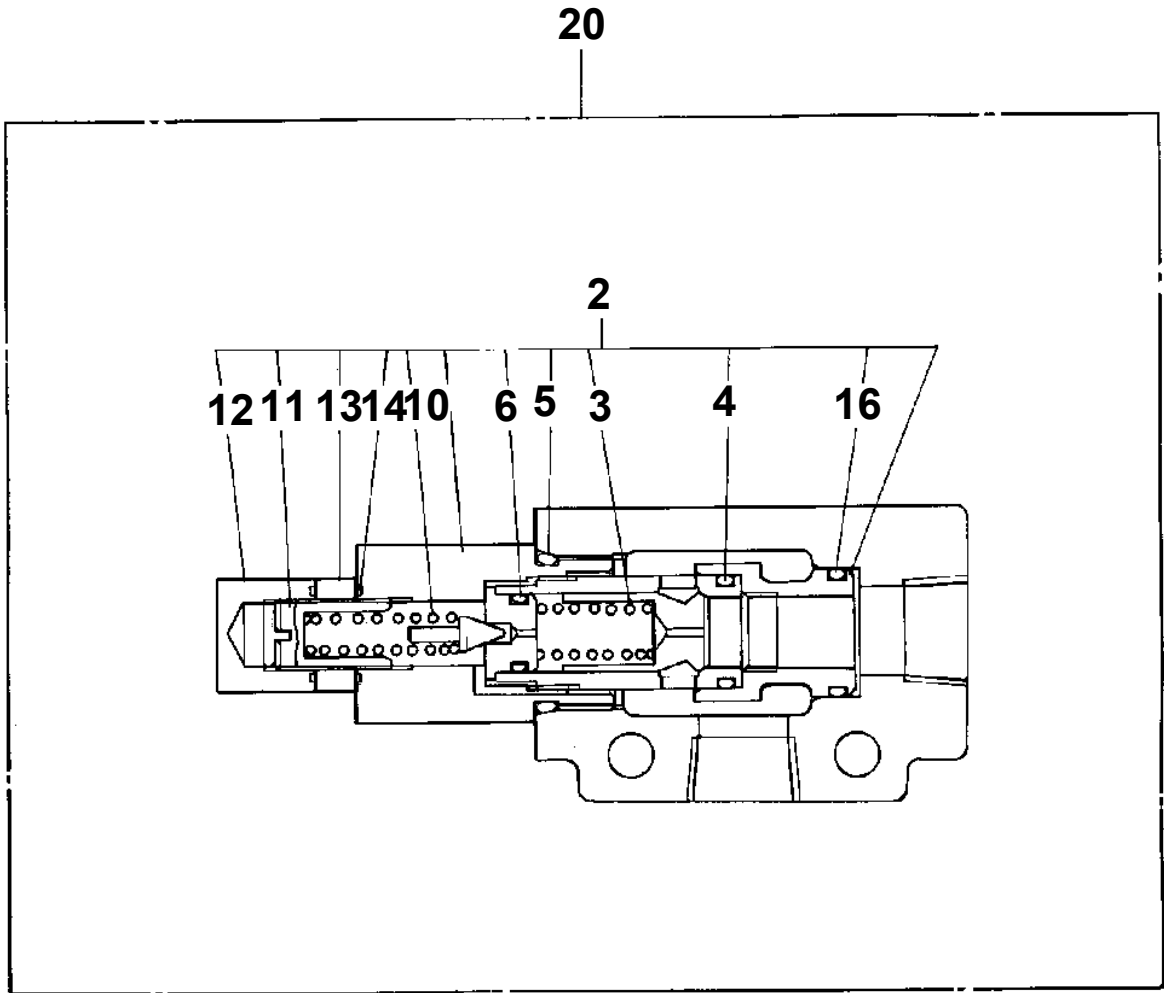
**BT-200-1-40101 UPPER,LOWER,ISUZU KK-NPR72GY
PI1010088-01 MOTOR,HYDRAULIC (SWING)**



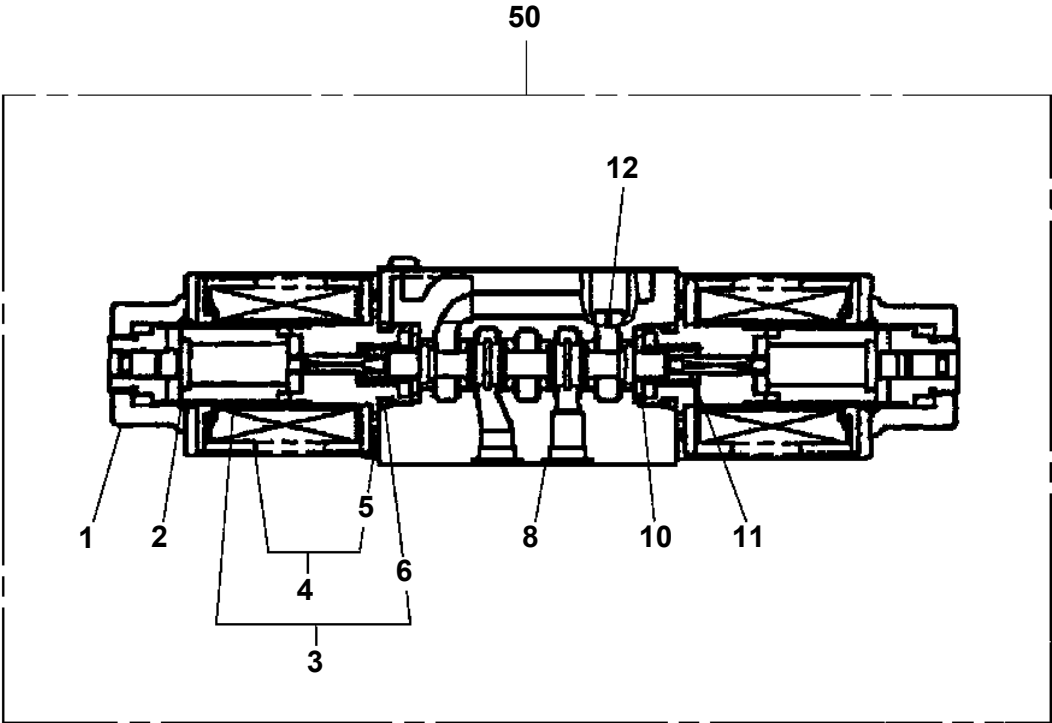
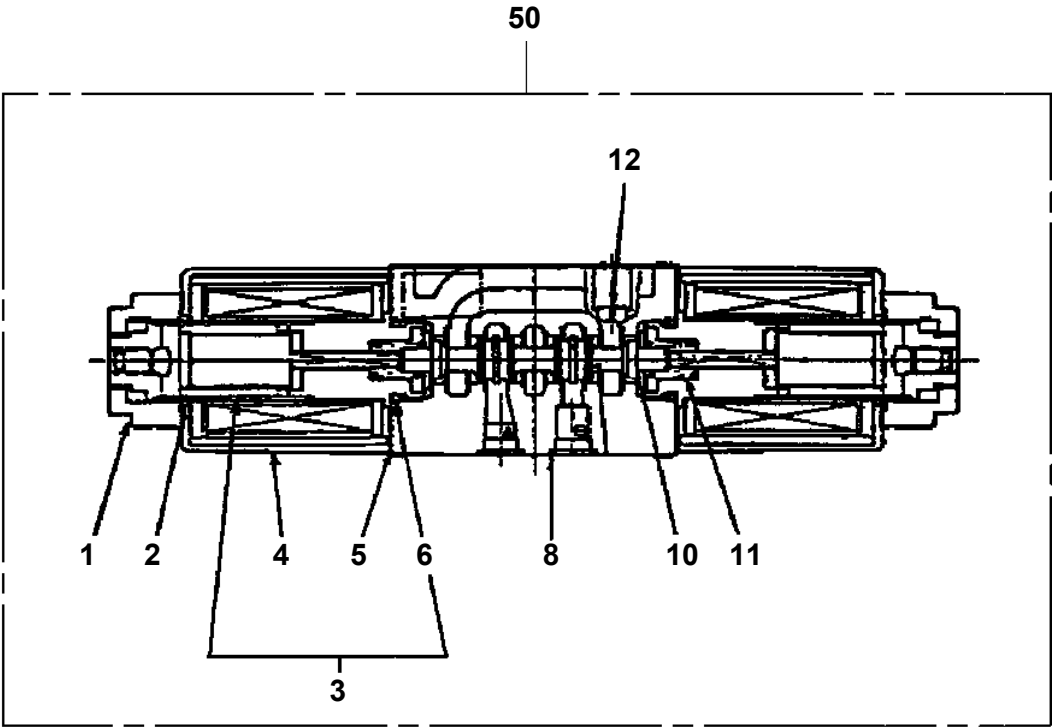
BT-200-1-40101 UPPER,LOWER,ISUZU KK-NPR72GY
PI1100060-01 VALVE,RELIEF

ASSEMBLY INQUIRY VALVE, RELIEF

11110 0000 01



**BT-200-1-40101 UPPER,LOWER,ISUZU KK-NPR72GY
PI1120229-01 VALVE,SOLENOID**



CLICK HERE TO **DOWNLOAD** THE COMPLETE MANUAL

- Thank you very much for reading the preview of the manual.
- You can download the complete manual from: www.heydownloads.com by clicking the link below

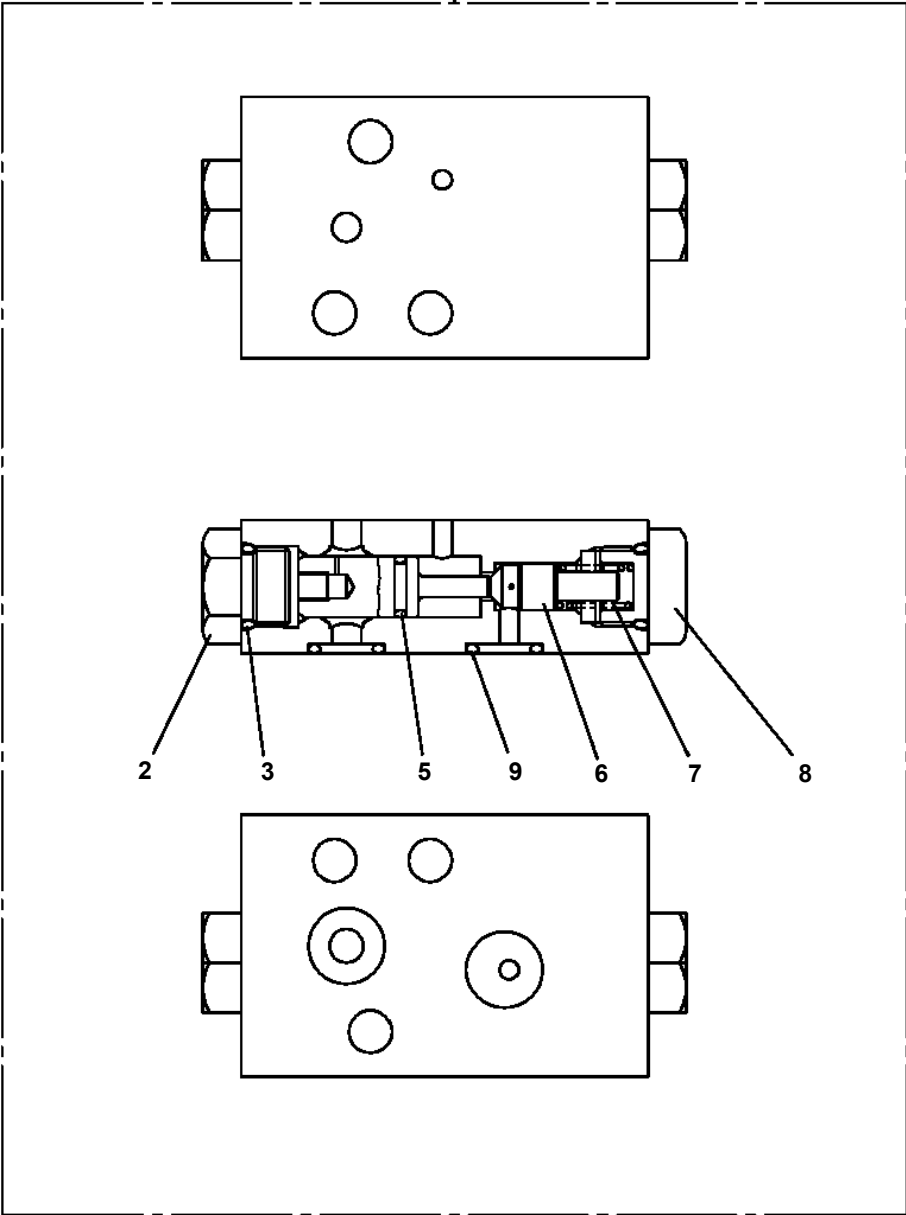


- Please note: If there is no response to CLICKING the link, please download this PDF first and then click on it.

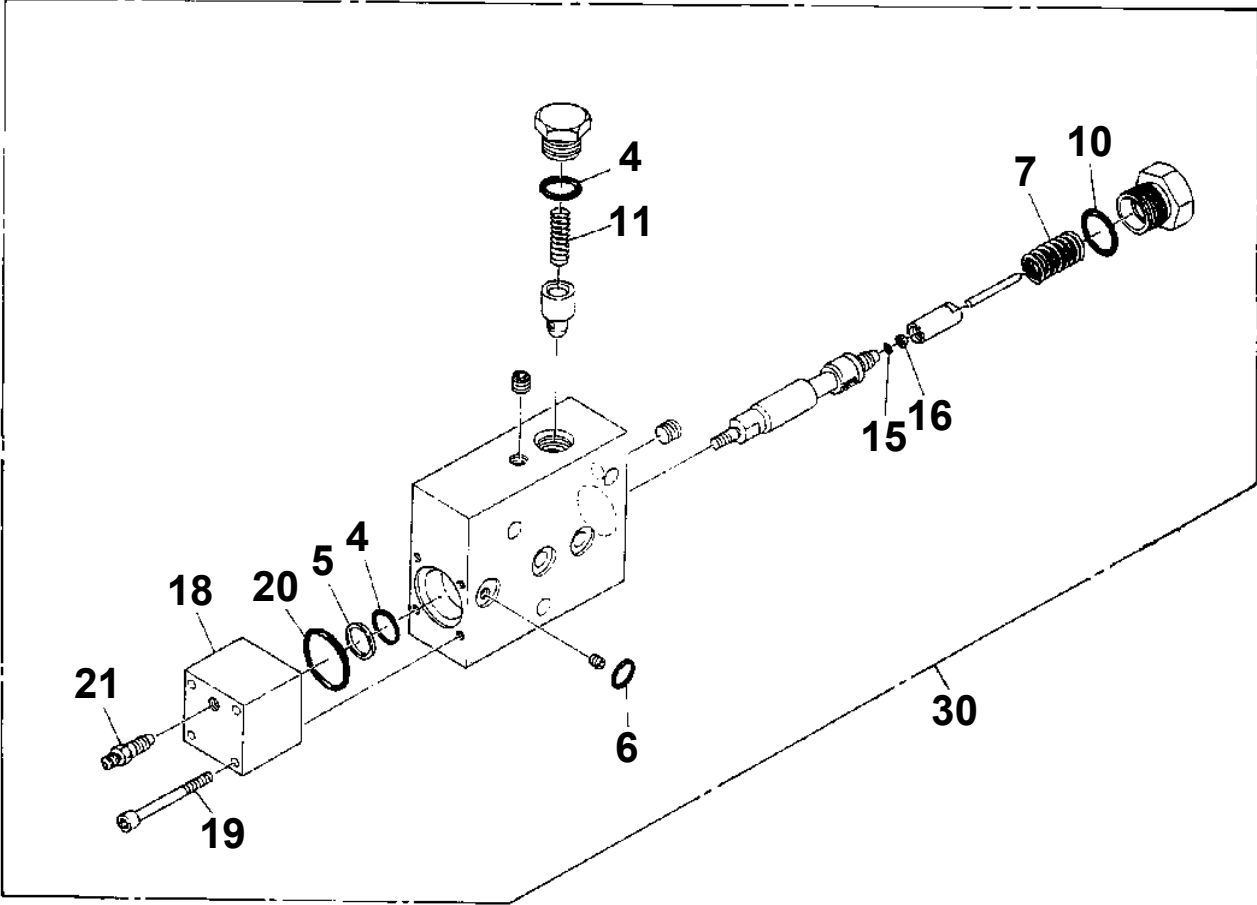
CLICK HERE TO **DOWNLOAD** THE COMPLETE MANUAL

**BT-200-1-40101 UPPER,LOWER,ISUZU KK-NPR72GY
PI1140153-00 VALVE,CHECK**

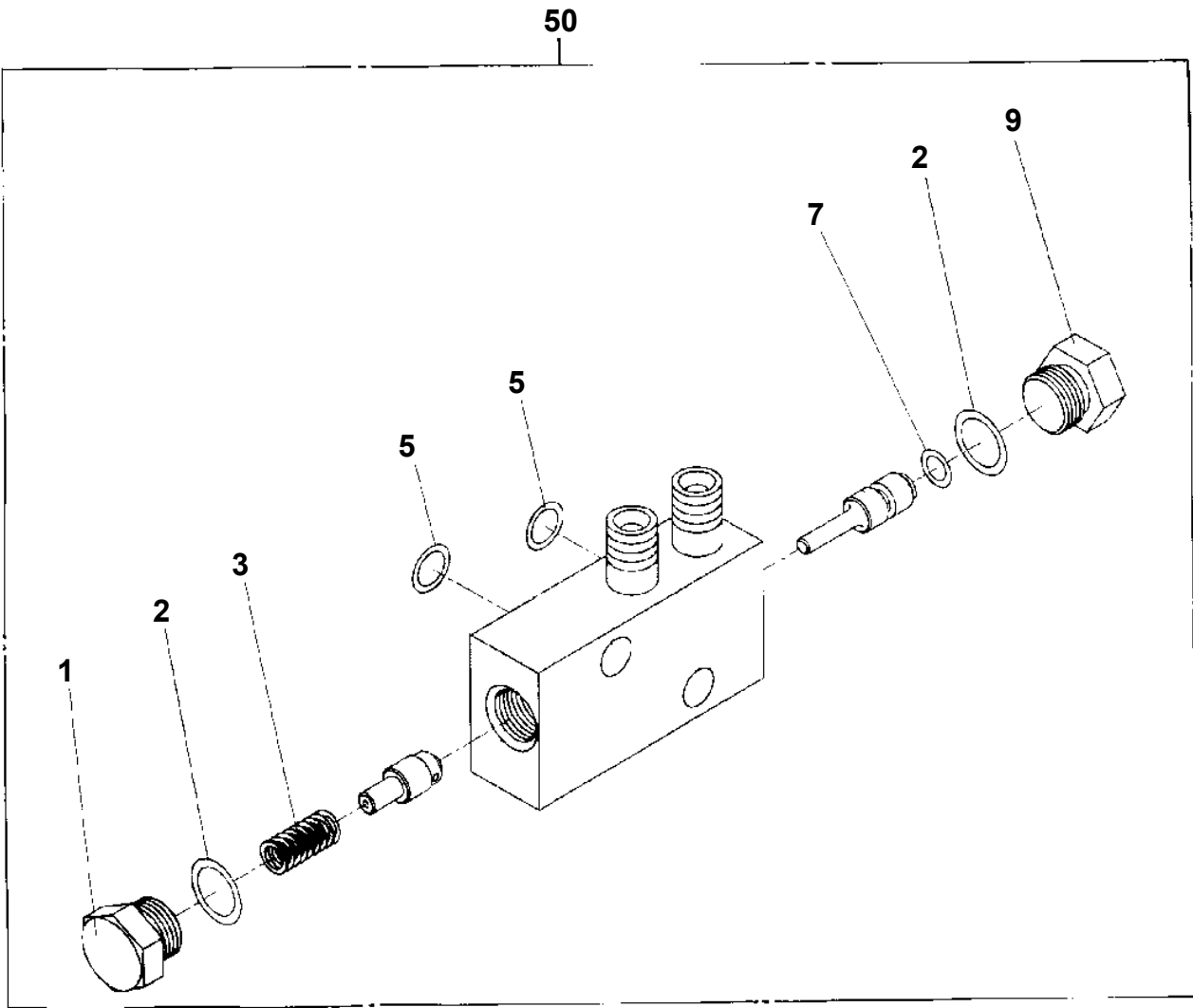
50



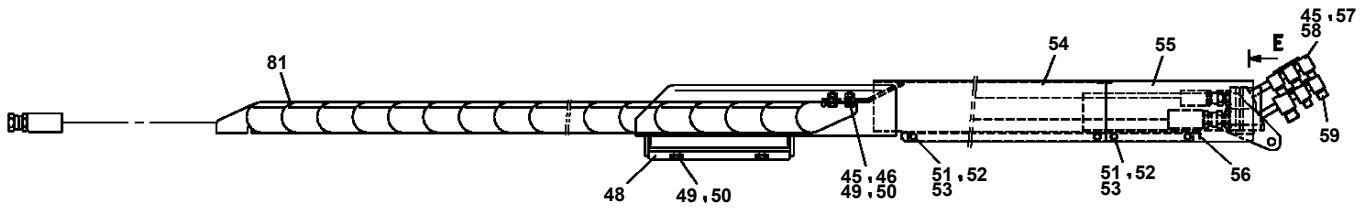
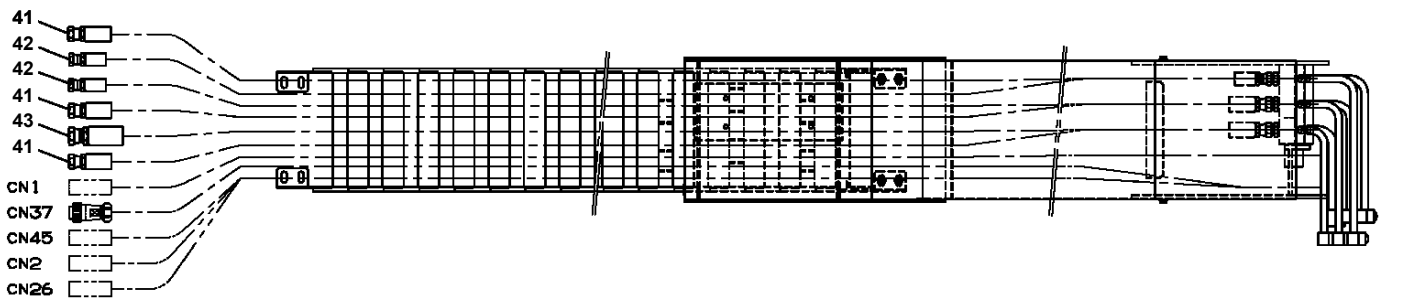
**BT-200-1-40101 UPPER,LOWER,ISUZU KK-NPR72GY
PI1250093-00 VALVE,COUNTERBALANCE**



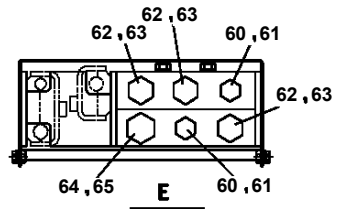
**BT-200-1-40101 UPPER,LOWER,ISUZU KK-NPR72GY
PI1280064-00 VALVE,PILOT CHECK**



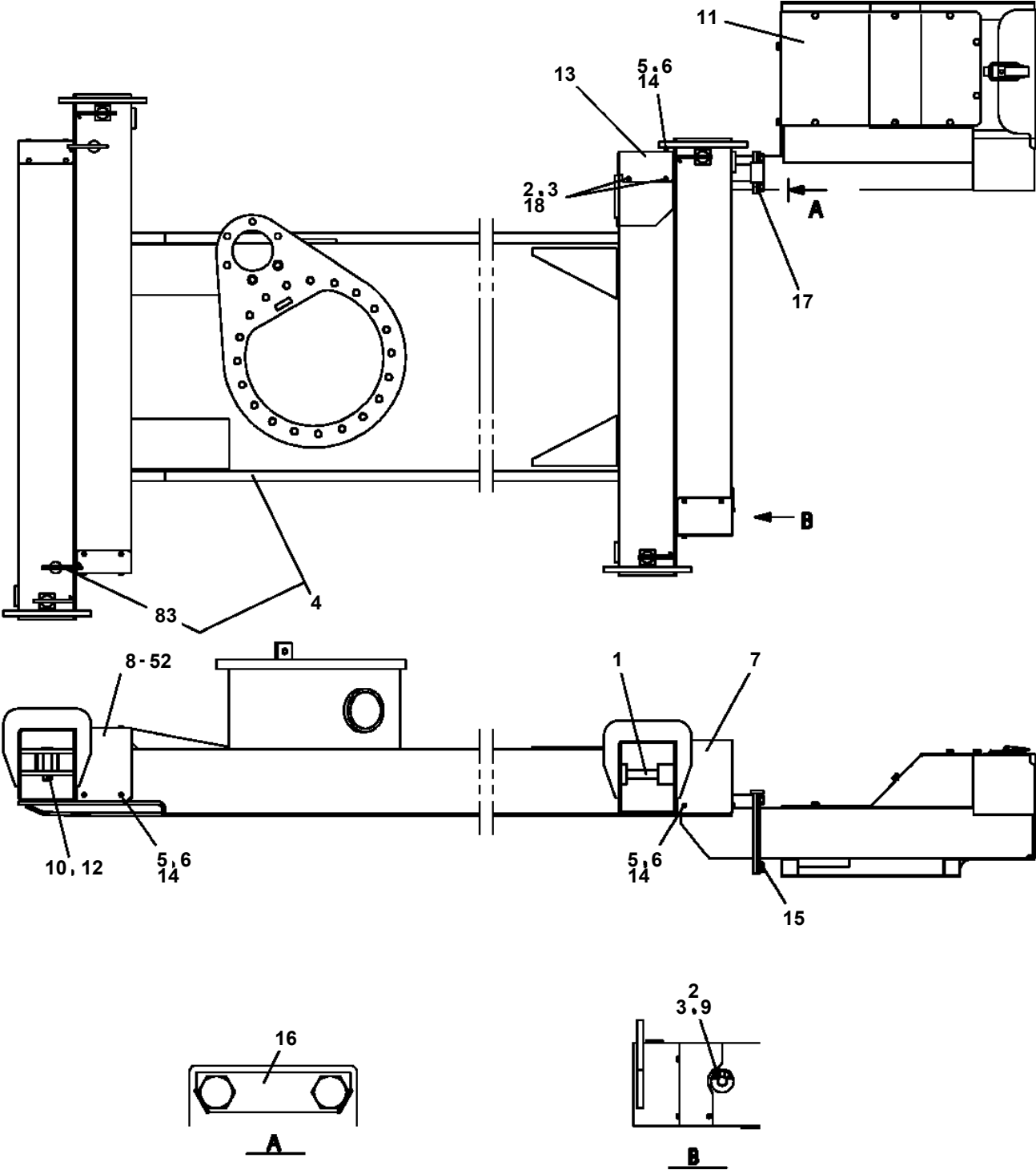
**BT-200-1-40101 UPPER,LOWER,ISUZU KK-NPR72GY
PJ3100074-01 PIPING,BOOM (2)**



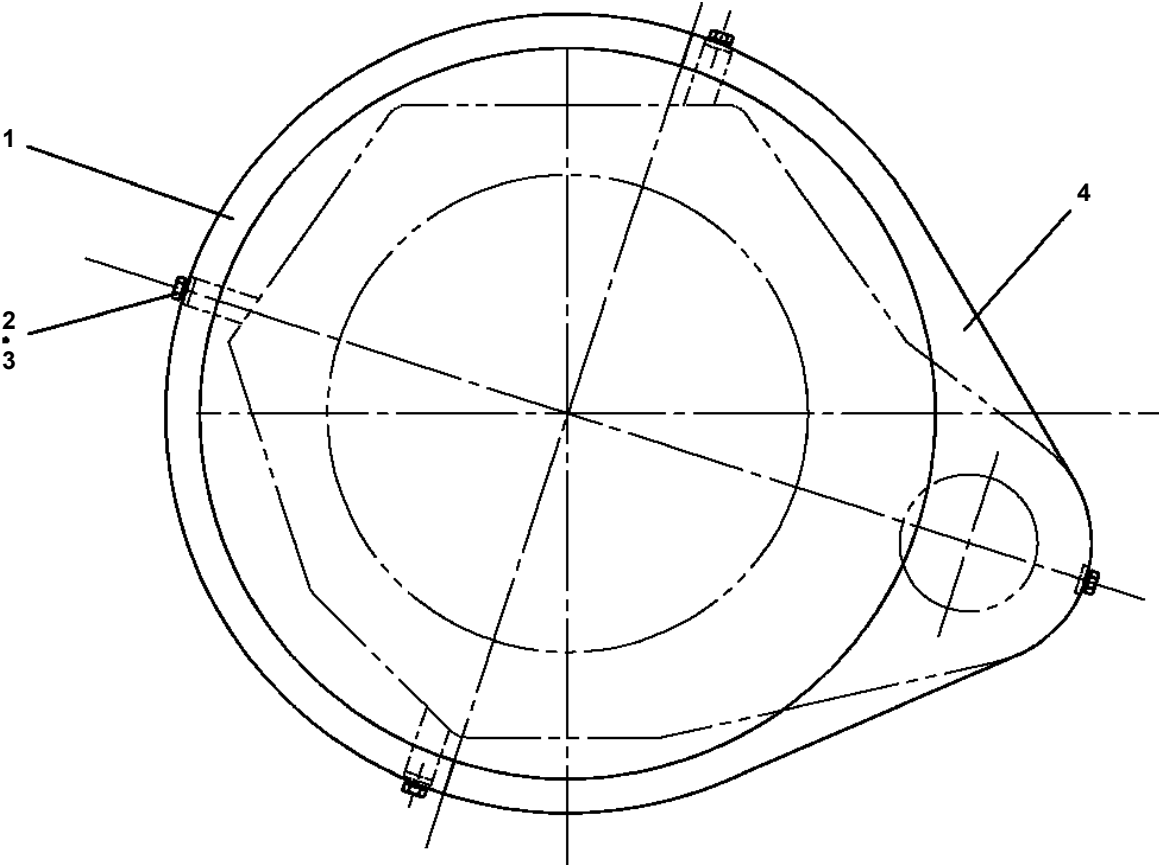
J



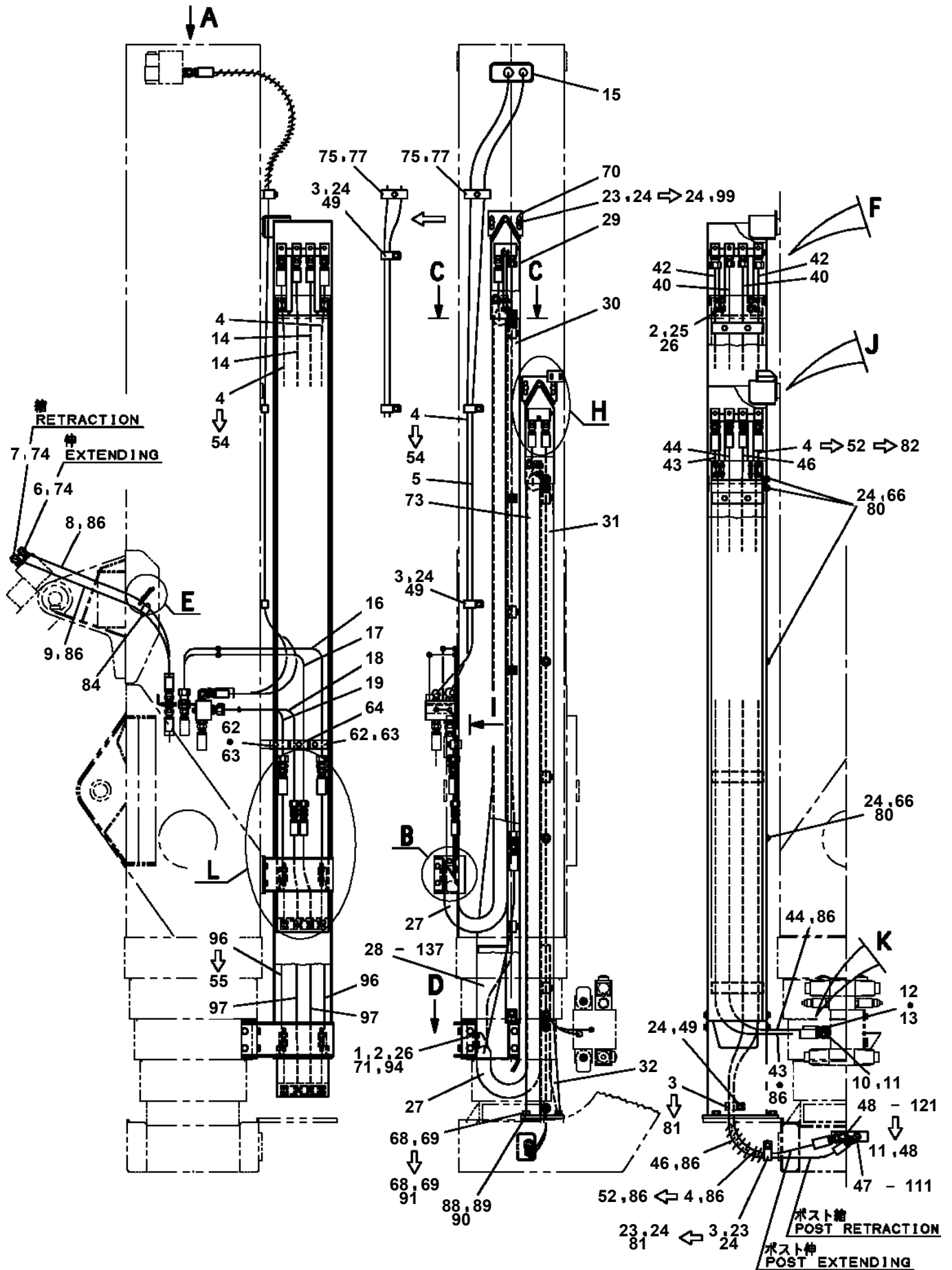
**BT-200-1-40101 UPPER,LOWER,ISUZU KK-NPR72GY
PK1010672-02 FRAME**



**BT-200-1-40101 UPPER,LOWER,ISUZU KK-NPR72GY
PK1200153-00 COVER,SWING FRAME**



**BT-200-1-40101 UPPER, LOWER, ISUZU KK-NPR72GY
PK1910001-05 PIPING (POST)**



BT-200-1-40101 UPPER,LOWER,ISUZU KK-NPR72GY

Pos No.	Parts No	Parts Name	Qty	Unit	Technical Data	Serial No (Start)	Serial No (End)	Remarks
58	81408000241	PIPE,STEEL	2	M	18X1.9T			
59	42344290500	JOINT	1					
60	37000925680	JOINT	4		S,G3/8-G3/8		HB5220	
	37000925680	JOINT	2		S,G3/8-G3/8	HB5221	HB5329	
61	37000926620	JOINT	2					
62	37000926900	JOINT (WITH O-RING)	10		L,G3/8-G1/4		HB5220	
63	80320010140	FITTING	1		KUD18-040N			
64	37000925740	JOINT	2		S G1/2-G1/2		HB5220	
	80481304040	JOINT	2		L,G1/2-G1/2	HB5221		
65	37002456670	HOSE	1		L=900			
66	80320030075	FITTING,ELBOW	5		KLE12-020N			
67	81408000160	PIPE,STEEL	1	M	12X1.4T			
68	81408000160	PIPE,STEEL	1	M	12X1.4T			
69	37002412790	HOSE	1		L=1120			
70	37002456680	HOSE	3		L=990			
71	81408000160	PIPE,STEEL	1	M	12X1.4T			
72	81408000160	PIPE,STEEL	1	M	12X1.4T			
73	81408000160	PIPE,STEEL	1	M	12X1.4T			
74	81408000160	PIPE,STEEL	1	M	12X1.4T			
75	81408000160	PIPE,STEEL	1	M	12X1.4T			
76	81408000160	PIPE,STEEL	1	M	12X1.4T			
77	81408000210	PIPE,STEEL	1	M	15X2.0T			
78	90101208050	BOLT	7		M8X50			
79	90101208040	BOLT	2		M8X40			
80	90302040801	WASHER,SPRING	13		8			
81	90303070801	WASHER,PLAIN	7		8			
82	37000925690	JOINT	1				HB5329	
83	81408000241	PIPE,STEEL	1	M	18X1.9T			
84	37002470650	HOSE	1		L=780			
85	82100002018	CLAMP	2		WR35			
86	82100002010	CLAMP	1		WR15			
87	82100001412	TUBE,SPIRAL	20	M	SE-12BK			
88	90201200800	NUT	5		M8			
89	90101208010	BOLT	2		M8X10			
90	90101206010	BOLT	1		M6X1.0			
91	90302040601	WASHER,SPRING	1		6			
92	81408000241	PIPE,STEEL	2	M	18X1.9T			
93	90101208025	BOLT	2		M8X25			
94	82100001819	TUBE,SPIRAL	4	M	SE-18BK			
95	37002449600	HOSE	2		L=375			
96	37002425880	HOSE	1		L=950			
97	37002453130	HOSE	1		L=850			
98	37002468000	HOSE	1		L=1230			
99	37002443230	HOSE	1		L=1320			
100	81408000241	PIPE,STEEL	2	M	18X1.9T			
101	81408000241	PIPE,STEEL	2	M	18X1.9T			
102	37000711090	CLAMP ASSY	1		18X2			
103	80302010160	FITTING	2		KCT12-030N		HB5275	
	80303010160	FITTING,ELBOW	2		KLA18-000N	HB5276		
104	80491303020	JOINT (WITH O-RING)	2		L,G3/8-G1/4	HB5221		
105	37000925690	JOINT	1			HB5330		
112	80481103020	JOINT	8		PF3/8-PF1/4	HB5221		
121	91002801100	O-RING	8		1B P11		HB5329	
	91002801100	O-RING	5		1B P11			
	91002801100	O-RING	7		1B P11	HB5330		
131	91002801800	O-RING	3		1B P18		HB5220	
	91002801800	O-RING	1		1B P18			
	91002801800	O-RING	1		1B P18	HB5221		
141	91002801400	O-RING	10		1B P14		HB5220	
	91002801400	O-RING	3		1B P14			
	91002801400	O-RING	2		1B P14	HB5221		

BT-200-1-40101 UPPER,LOWER,ISUZU KK-NPR72GY

Pos No.	Parts No	Parts Name	Qty	Unit	Technical Data	Serial No (Start)	Serial No (End)	R
1	42351047620	CASE ASSY	1					
7	42351047670	BREAKER ASSY	1					
8	42351047640	BOARD,TERMINAL	1					
17	42351047650	HANDLE	1					
30	42351045000	BOX,OPERATION (SWING FRAME)	1					

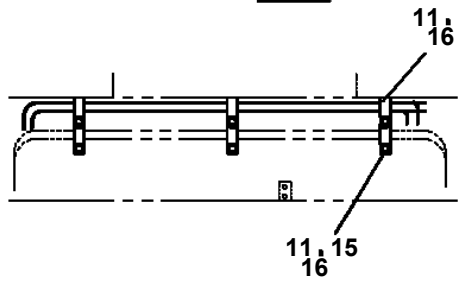
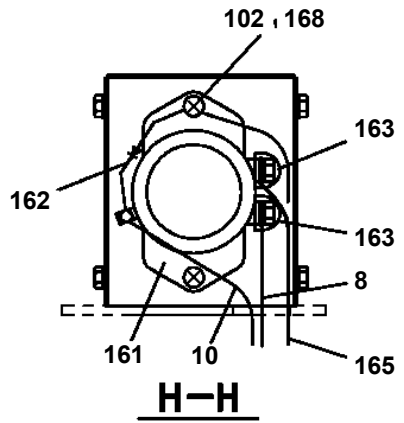
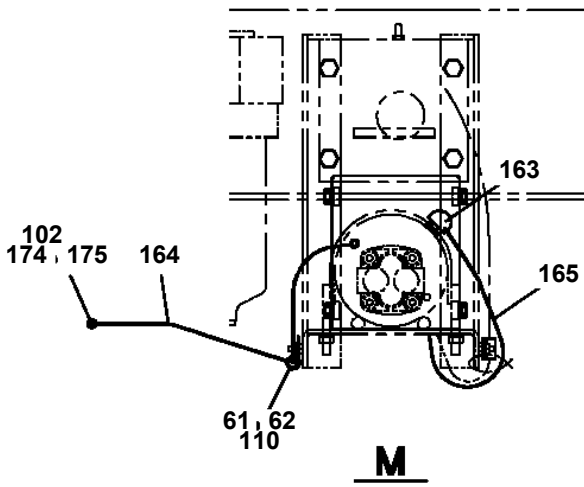
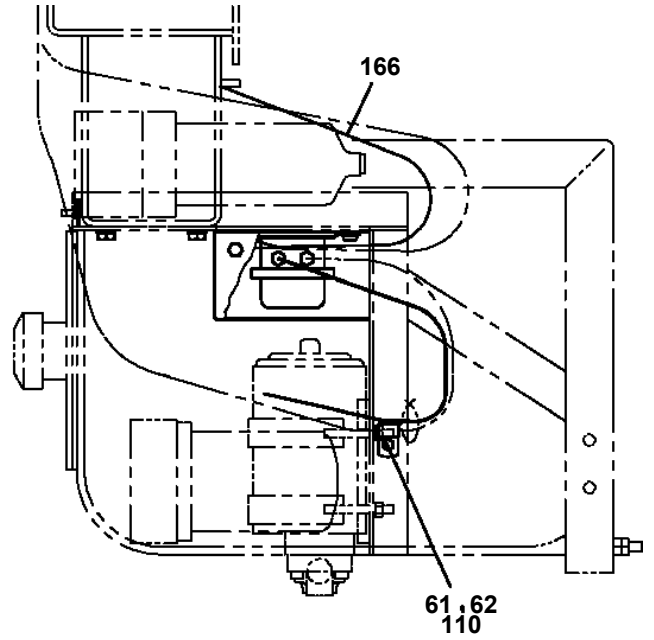
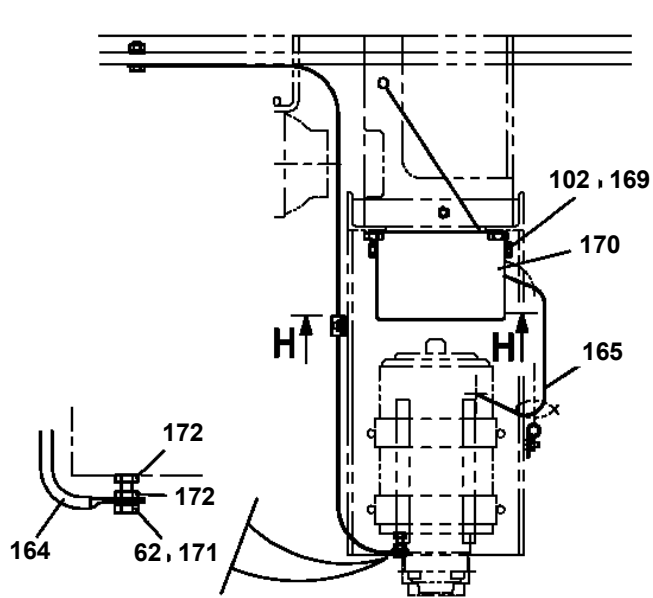
BT-200-1-40101 UPPER,LOWER,ISUZU KK-NPR72GY

Pos No.	Parts No	Parts Name	Qty	Unit	Technical Data	Serial No (Start)	Serial No (End)	Remarks
4	82100001802	TUBE,CORRUGATE	1	M	10			
5	90101206010	BOLT	4		M6X1.0			
6	82100002004	CLAMP	4		WR8			
7	82100001803	TUBE,CORRUGATE	1	M	13			
8	82100002008	CLAMP	2		WR12			
9	82100002040	CLAMP	4		WE15			
10	37000714050	CLAMP ASSY	2		18X3			
11	37000714010	CLAMP ASSY	1		12X1			
12	37000300740	SLEEVE	2		18-12			
13	90101508060	BOLT	1		M8X60			
15	37000300750	SLEEVE	4		18-15			
16	82100001804	TUBE,CORRUGATE	1	M	15			
17	91810132530	FASTENER	6					
19	42351010300	CABLE	1					
20	37000300720	SLEEVE	1		12-10			
21	90101208012	BOLT	2		M8X12			
22	90302040801	WASHER,SPRING	4		8			
25	90201200800	NUT	2		M8			
26	42351010203	HARNESS	1					
27	82100002006	CLAMP	3		WR10			
28	90302040601	WASHER,SPRING	9		6			
29	90201200600	NUT	4		M6			
41	82100002006	CLAMP	11		WR10			
42	90302040601	WASHER,SPRING	11		6			
43	90201200600	NUT	11		M6			
44	42351011100	PLATE	1					
45	90302040801	WASHER,SPRING	12		8			
46	90101208014	BOLT	4		M8X14			
47	42351011010	SWITCH ASSY	1					
48	42351011200	COVER	1					
51	42351013400	SUPPORT	1					
52	82104501130	SWITCH,LIMIT	1					
53	90101208020	BOLT	4		M8X20			
55	90303070801	WASHER,PLAIN	6		8			
56	42351013101	COVER	1					
57	42351013201	SUPPORT	1					
58	42351013600	SWITCH ASSY	1					
59	80172803008	SCREW,MACHINE	8		M3X8			
60	90302510301	WASHER,SPRING (SUS 3)	8					
61	90303520301	WASHER,PLAIN	8		3			
62	90201500300	NUT	2		M3			
63	42351013301	COVER	1					
69	42351013650	SWITCH ASSY	1					
70	82100001801	TUBE,CORRUGATE	1	M	7			
74	80182308016	SCREW,MACHINE	4		M8X16		HB5383	
	90101208016	BOLT	4		M8X16	HB5384		
81	42351012300	CABLE	1		L=8400			
82	42351012400	CABLE	1					
83	42351012501	HARNESS	1					
84	37000713530	CLAMP ASSY	1					
85	37000714030	CLAMP ASSY	1		18X1			
86	37000300750	SLEEVE	1		18-15			

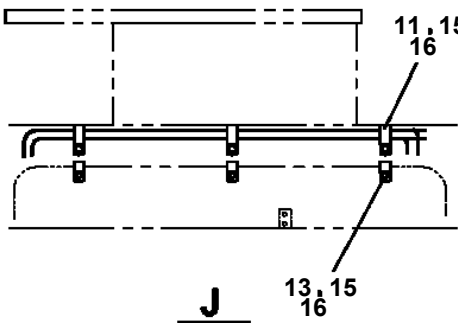
BT-200-1-40101 UPPER,LOWER,ISUZU KK-NPR72GY

Pos No.	Parts No	Parts Name	Qty	Unit	Technical Data	Serial No (Start)	Serial No
1	42353890100	CABLE (L=9900)	1				
2	42353890200	CABLE	1				
3	42353890300	CABLE (L=9900)	1				
4	91810132530	FASTENER	10				
5	37000714460	CLAMP ASSY	2				
6	42353890400	COVER	1				
7	42344910200	SUPPORT	1				
8	90101208020	BOLT	8		M8X20		
9	90302040801	WASHER,SPRING	23		8		
10	90180208012	BOLT,BUTTON	2		M8X12		
11	42344821000	ROLLER ASSY	1				
12	42344820300	SUPPORT	1				
13	90101204030	BOLT	2		M4X30		
14	90201200400	NUT	2		M4		
15	36131210000	DETECTOR,BOOM LENGTH	1				
16	90101206012	BOLT	8		M6X12		
17	90302040601	WASHER,SPRING	19		6		
18	90303070401	WASHER,PLAIN	2		4		
19	90101206020	BOLT	1		M6X20		
20	90201200600	NUT	2		M6		
21	90101208012	BOLT	9		M8X12		
22	90201200800	NUT	3		M8		
23	82100002018	CLAMP	3		WR35		
24	82104501250	SWITCH,LIMIT (2 PCS/SET,WITH HARNESS)	1				
25	90302040401	WASHER,SPRING	2		4		
26	42353890500	HARNESS	1				
27	42353891000	INDICATOR,OUTRIGGER	1				HB5345
	42353891001	CONTROLLER	1			HB5346	
28	42353892000	CONTROL UNIT (VOICE)	1				HB5344
	42353892001	CONTROL UNIT (VOICE)	1			HB5345	
29	42350250070	PLUG (2 POLES,MALE)	1				
30	82100002596	RELAY	4				
31	82100002597	RELAY	2				
32	90101206014	BOLT	10		M6X14		
33	82161201010	RELAY	4				
35	82100002010	CLAMP	1		WR15		
36	42353890010	SUPPORT	1				
37	90101208018	BOLT	1		M8X18		
38	44320516500	PLUG (12 POLES,FEMALE)	1			HB5346	
39	42352970010	PLUG (14 POLES,FEMALE)	1			HB5346	
51	42344821100	SUPPORT	1				
52	80136320016	PIN,SPLIT	2		2X16		
53	42340234230	ROLLER	4		W=12		
54	42340234240	ROLLER	3		W=9		
55	90303100801	WASHER,PLAIN	14		8		
56	37000168380	PIN	1				
73	82400000201	GROMMET	1		KG-016		HB5821
	82400000201	GROMMET	2		KG-016	HB5822	

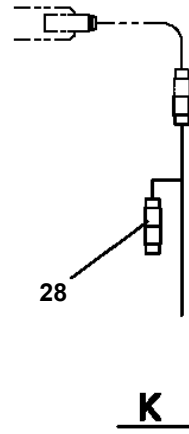
**BT-200-1-40101 UPPER, LOWER, ISUZU KK-NPR72GY
PN1012745-06 ELEC.ASSY (FRAME)**



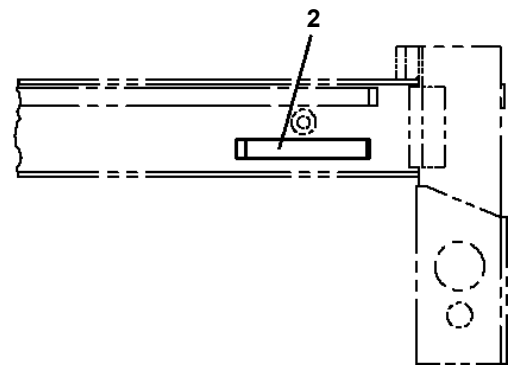
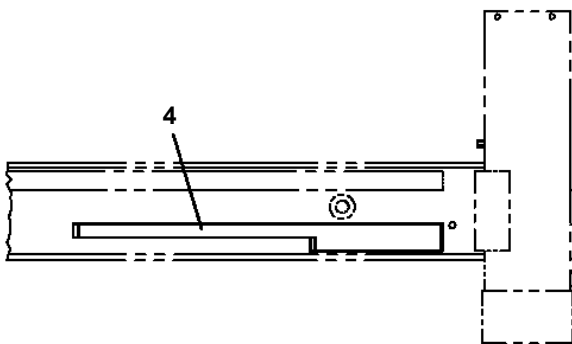
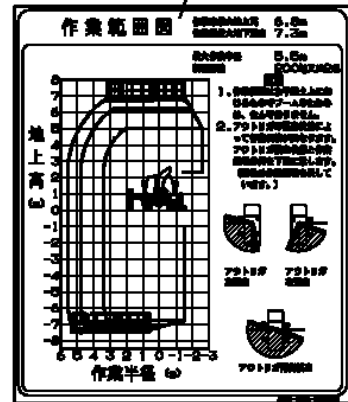
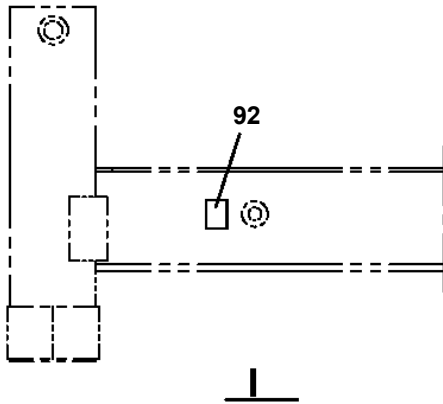
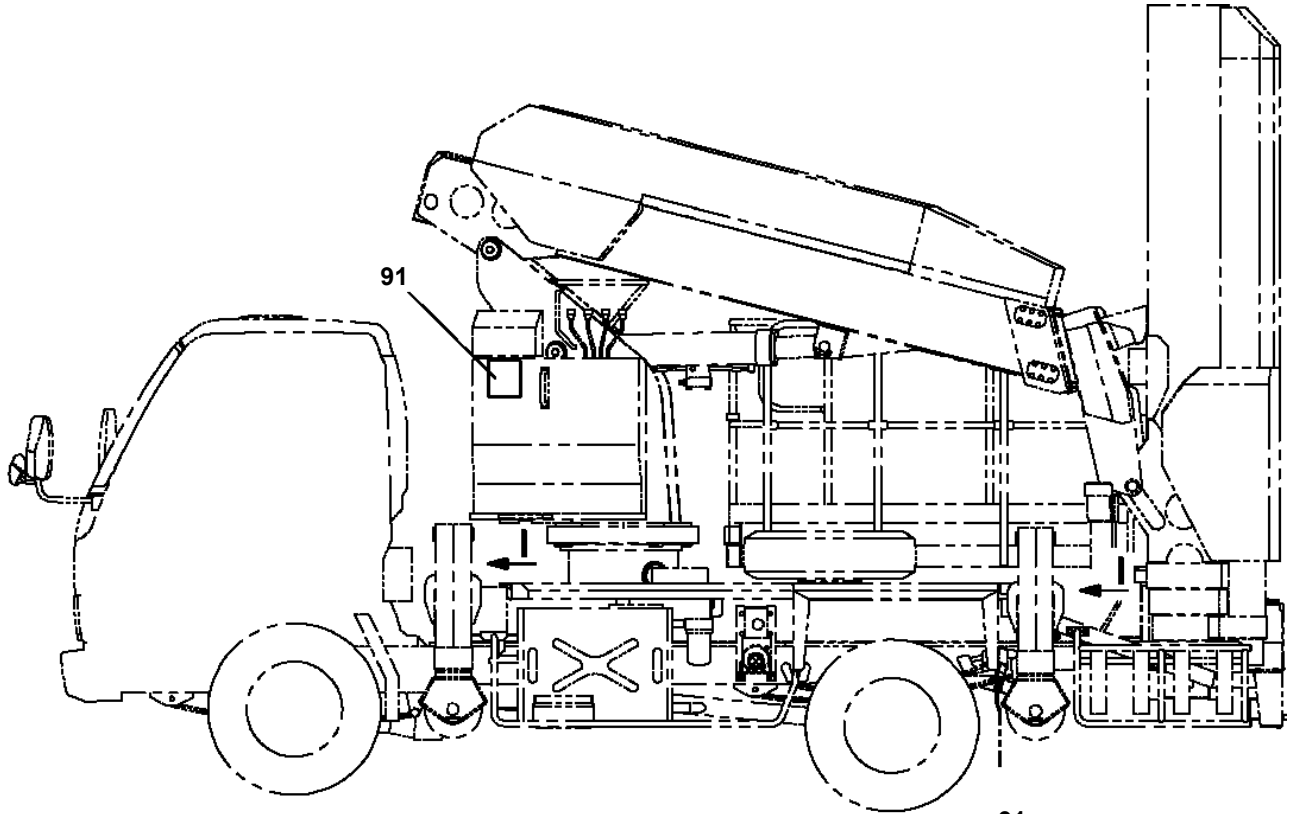
MITSUBISI



ISUZU



BT-200-1-40101 UPPER,LOWER,ISUZU KK-NPR72GY
 PN1014368-02 ELEC.ASSY



アウトリガ左前、右前、左後インナ改造

アウトリガ右後インナ改造

BT-200-1-40101 UPPER,LOWER,ISUZU KK-NPR72GY

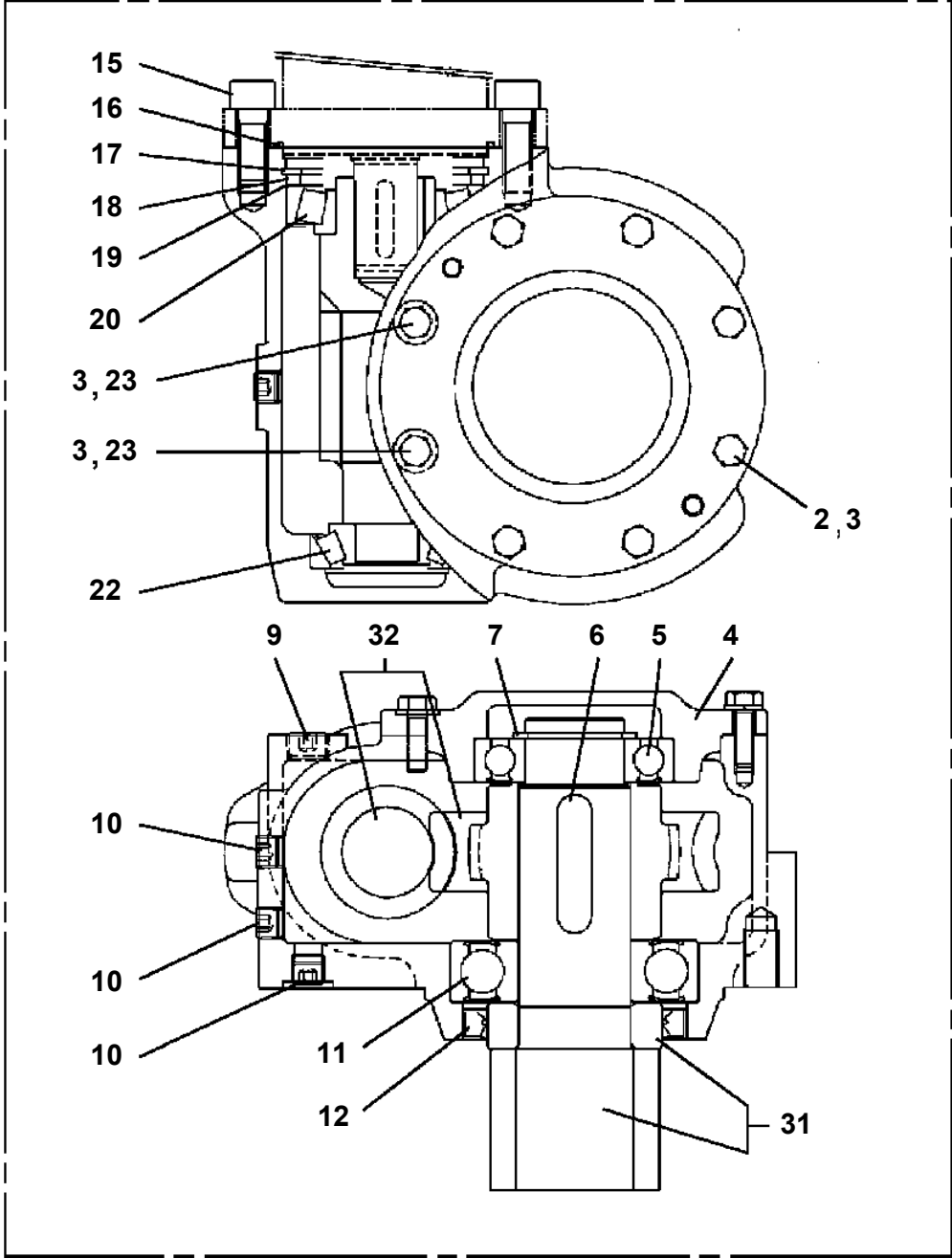
Pos No.	Parts No	Parts Name	Qty	Unit	Technical Data	Serial No (Start)	Serial No (End)	Remark
1	42652131100	SUPPORT	1				HB5213	
	42652131500	SUPPORT	1			HB5214		
2	42650901201	COVER	1					
3	80182306016	SCREW,MACHINE	8		M6X16			
4	90302040601	WASHER,SPRING	32		6		HB5374	
	90302040601	WASHER,SPRING	30		6	HB5375		
5	90303070601	WASHER,PLAIN	11		6		HB5374	
	90303070601	WASHER,PLAIN	9		6	HB5375		
6	90201200600	NUT	5		M6			
7	82100002014	CLAMP	1		WR20			
8	82100002010	CLAMP	1		WR15			
10	42652131400	HARNESS	1					
11	82100002597	RELAY	3					
12	42650901501	RELAY ASSY	1					
13	82100002596	RELAY	7					
14	90101206014	BOLT	19		M6X14		HB5374	
	90101206014	BOLT	17		M6X14	HB5375		
15	82161202010	RELAY	2					
16	80172304010	SCREW,MACHINE	4		M4X10			
17	90302040401	WASHER,SPRING	4		4			
18	90303070401	WASHER,PLAIN	4		4			
19	91810130240	FASTENER	3					
20	42735530100	FLASHER UNIT	2				HB5374	
	42735530100	FLASHER UNIT	1			HB5375		
21	80172303020	SCREW,MACHINE	6		M3X20			
22	82161201010	RELAY	5					
23	42652131300	CONTROLLER (ASSY ONLY)	1					
24	42650901103	CASE	1					
25	42650333900	SWITCH ASSY	1					
26	42739790020	HARNESS	1			HB5375		
41	34351562510	BOX,FUSE	1					
42	82100001839	FUSE	6		10A.RED			
43	82100001841	FUSE	3		20A,YELLOW			
44	82100001837	FUSE	2		5A			
100	42652131000	RELAY ASSY (LOWER)	1					

BT-200-1-40101 UPPER,LOWER,ISUZU KK-NPR72GY

Pos No.	Parts No	Parts Name	Qty	Unit	Technical Data	Serial No (Start)	Serial No (End)	F
81	42391861100	PLATE,NAME	3					
82	44390611011	NAME PLATE ASSY	2					
83	42392331010	PLATE,NAME	1					

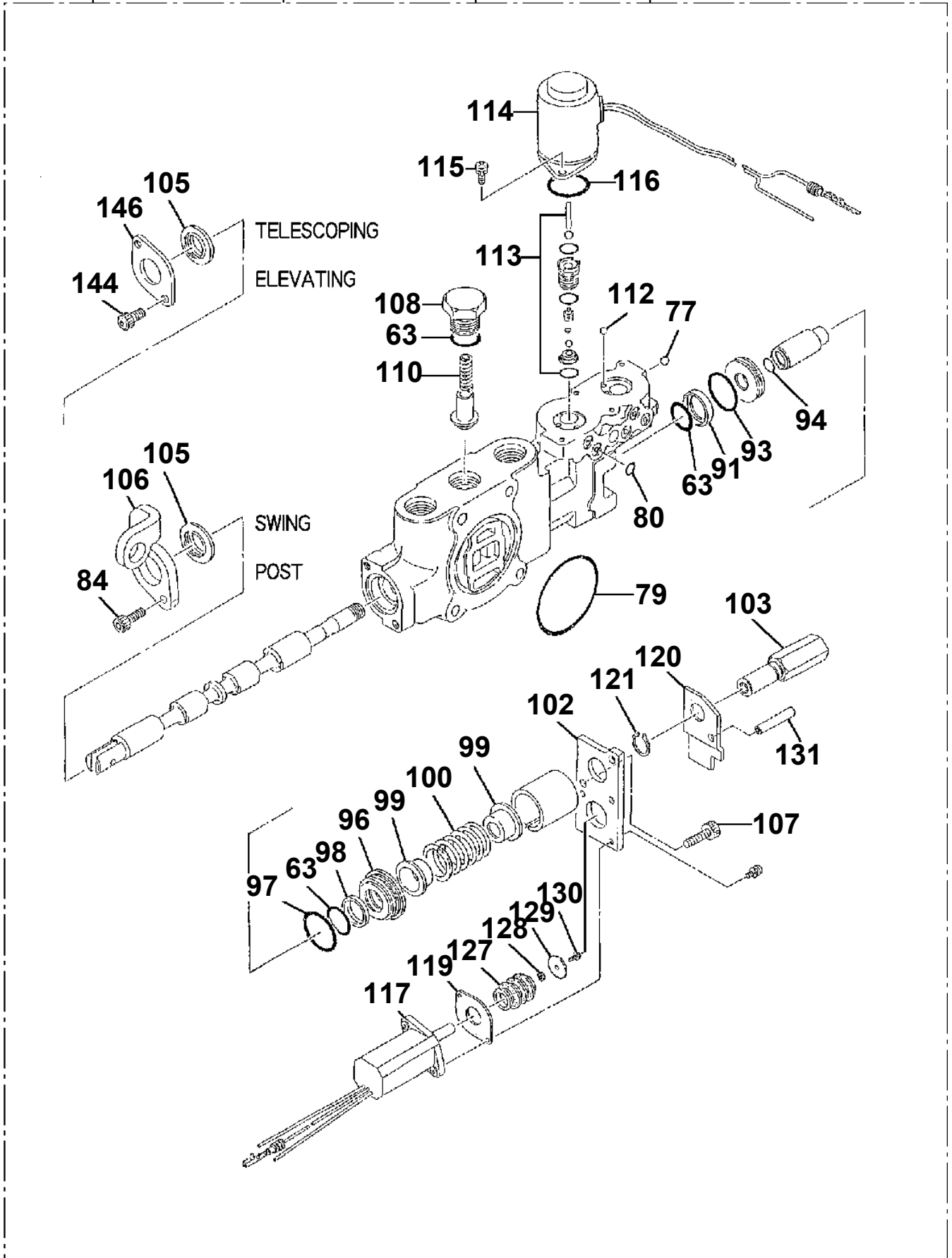
**BT-200-1-40101 UPPER,LOWER,ISUZU KK-NPR72GY
PS5290008-00 SPEED REDUCER ASSY (SWING)**

100



**BT-200-1-40101 UPPER,LOWER,ISUZU KK-NPR72GY
PV1020116-03 VALVE,REMOTE CONTROL**

2 SWING 3 TELESCOPING 4 ELEVATING 5 POST



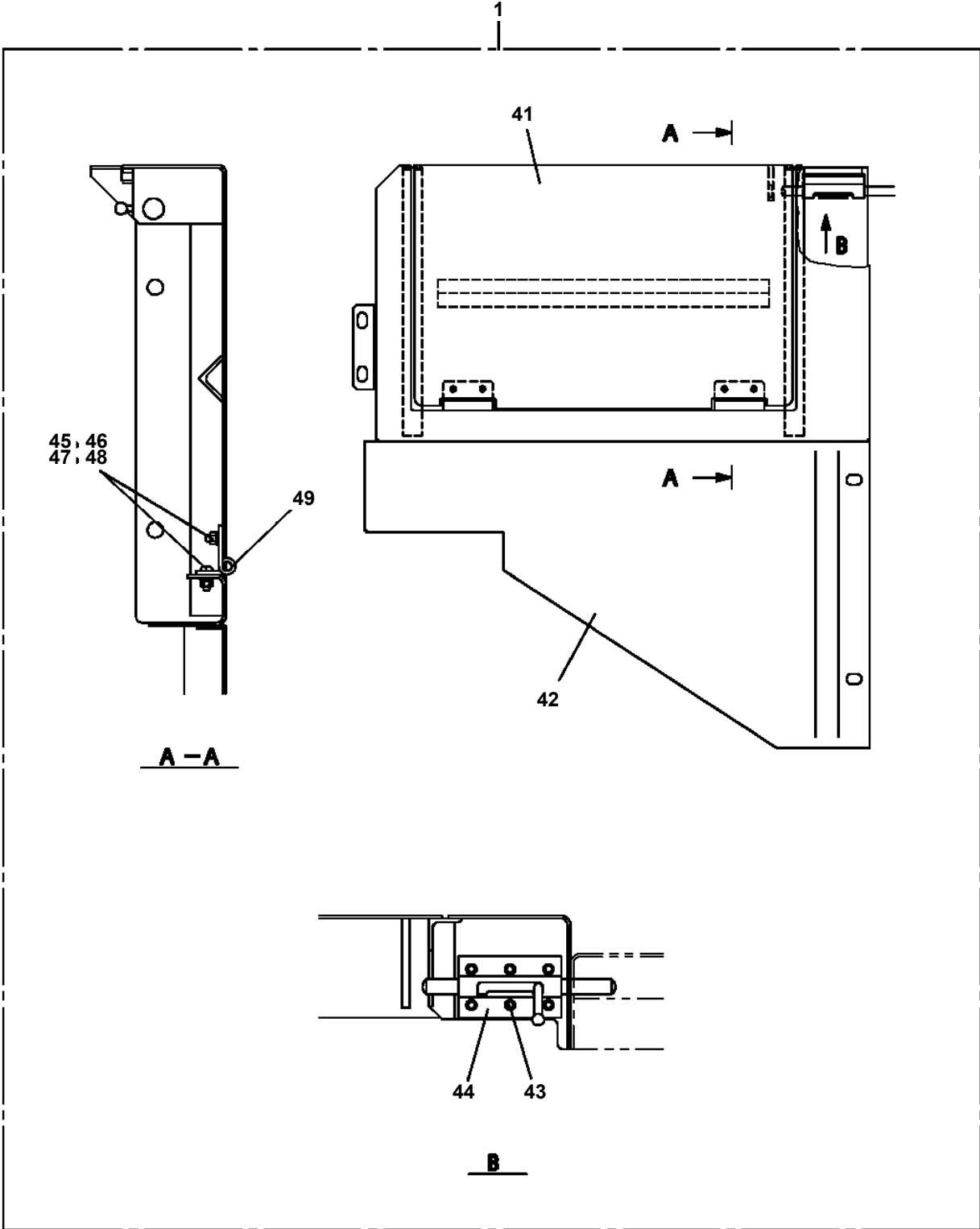
BT-200-1-40101 UPPER,LOWER,ISUZU KK-NPR72GY

Pos No.	Parts No	Parts Name	Qty	Unit	Technical Data	Serial No (Start)	Serial No (End)	Re
1	42351041301	BOARD,CIRCUIT (RC)	1					
2	42650787520	BOARD ASSY	1					
3	36119005010	BOARD,CIRCUIT (VO)	1					
4	42351047530	HARNESS ASSY (24PF)	1					
5	42351047540	HARNESS ASSY (24PM)	1					
6	42351047550	HARNESS ASSY (37PM)	1					
7	42351047560	HARNESS ASSY (8P)	2					
8	42351047570	HARNESS ASSY (10P)	1					
9	42351047580	HARNESS ASSY (BOARD)	1					
10	42351047590	CASE (CONTROLLER)	1					
11	42650787570	COVER (CONTROLLER)	1					
12	42650787590	COVER (A)	1					
13	42650787600	COVER (B)	1					
14	42351047600	COVER (37)	1					
15	42650787580	ANGLE	3					
16	42351047610	ANGLE	2					
17	36800125050	SPACER	2					
18	42650787610	PLATE (SIGHT)	1					
19	36800017510	PACKING	1					
20	42650787620	PACKING	2					
22	42930727560	PLATE,CAUTION	1					
23	42930727570	PLATE,CAUTION	1					
29	90131504010	BOLT,HEXAGON SOCKET	14		M4X10			
30	90302040401	WASHER,SPRING	14		4			
41	(*****)	P-ROM	1					
42	(*****)	P-ROM	1					
100	36119000000	CONTROL BOX (KOREAN VOICE)	1					

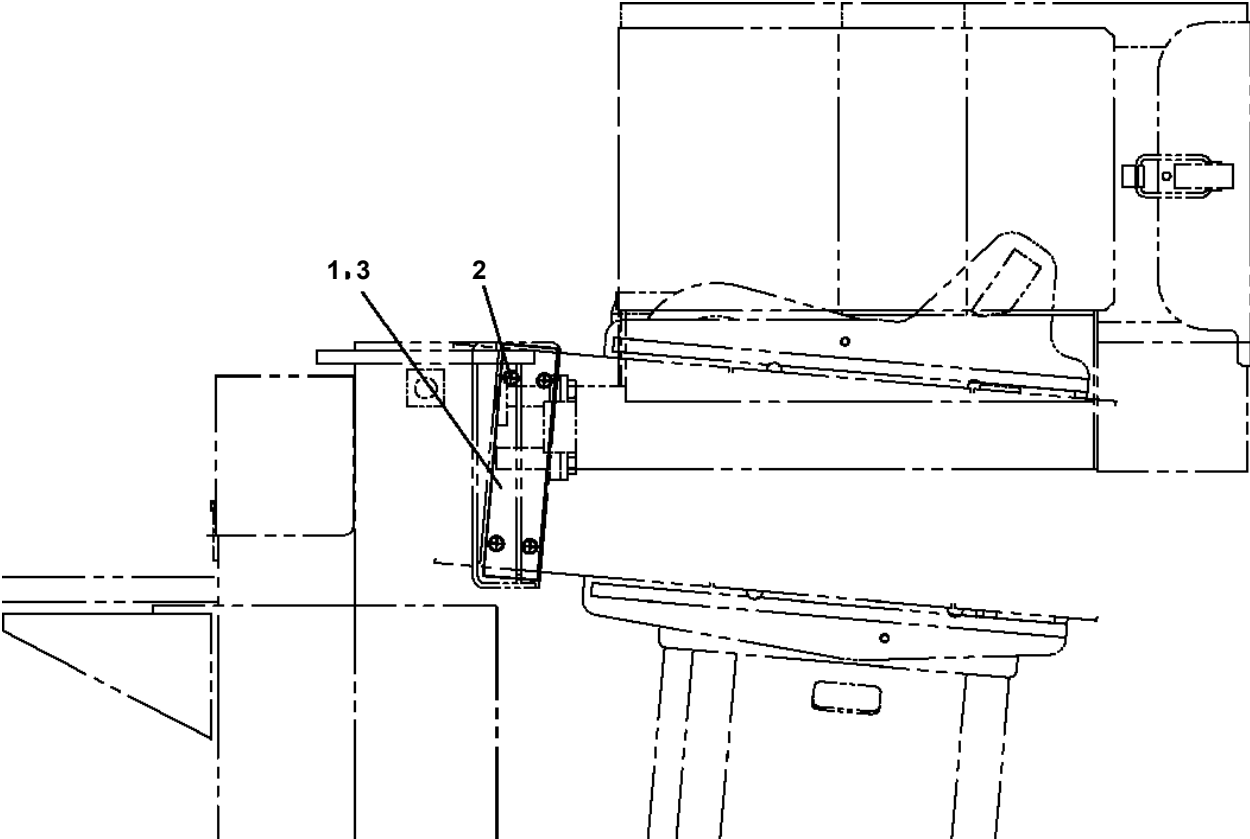
BT-200-1-40101 UPPER,LOWER,ISUZU KK-NPR72GY

Pos No.	Parts No	Parts Name	Qty	Unit	Technical Data	Serial No (Start)	Serial No (End)	Rem
1	42460015010	BAG,TOOL	1					
2	91991310024	SPANNER	1		24			
3	91991441311	SPANNER	1		13X11			
6	91991510003	HEXAGON BARWRENCH (G3)	1					
7	91991510005	HEXAGON BARWRENCH (G5)	1					
8	91991510006	HEXAGON BARWRENCH (G6)	1					
9	91991510008	HEXAGON BARWRENCH (G8)	1					
10	91991510010	HEXAGON BARWRENCH (G10)	1					
11	91991510004	HEXAGON BARWRENCH (G4)	1					
50	42460015001	TOOLS	1					

BT-200-1-40101 UPPER,LOWER,ISUZU KK-NPR72GY
PX1030426-00 FENDER

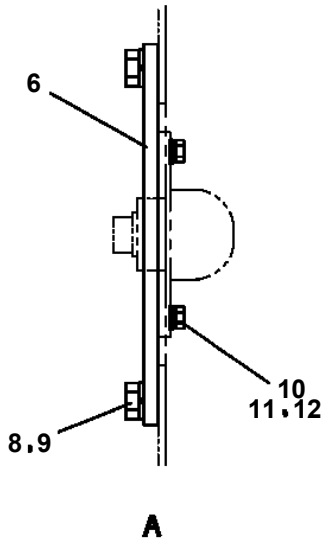
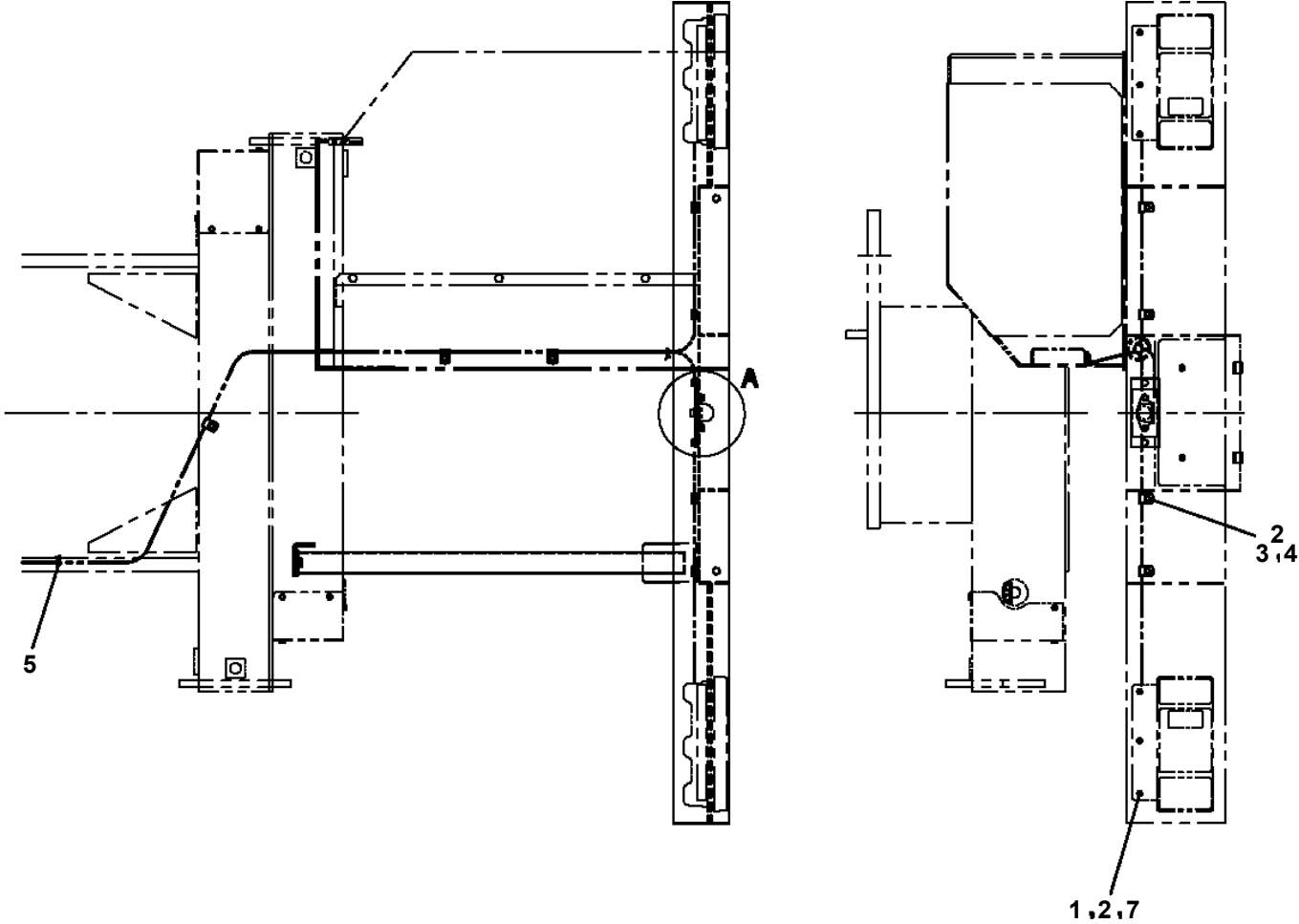


**BT-200-1-40101 UPPER,LOWER,ISUZU KK-NPR72GY
PX1120409-00 BOOM REST (LOWER BOOM)**

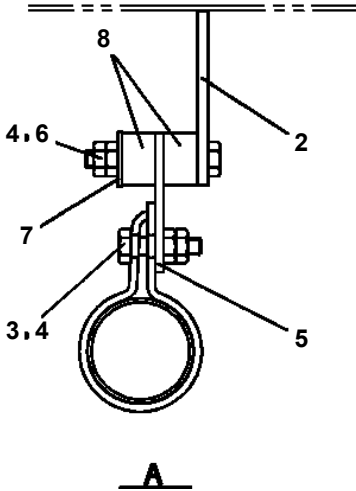
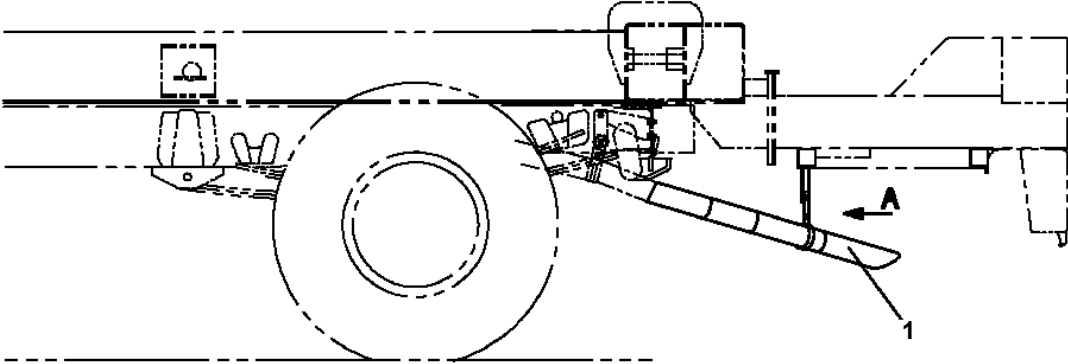
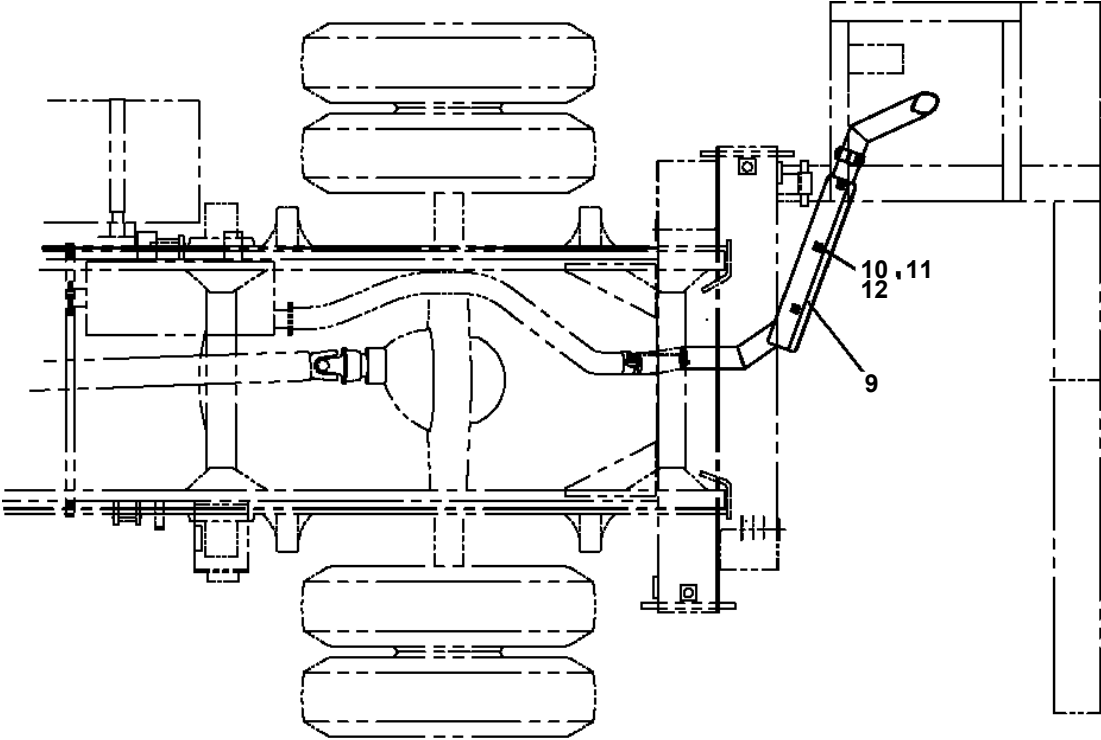


←
FRONT

BT-200-1-40101 UPPER,LOWER,ISUZU KK-NPR72GY
PX1310012-00 MOUNT,LAMP (TAIL)

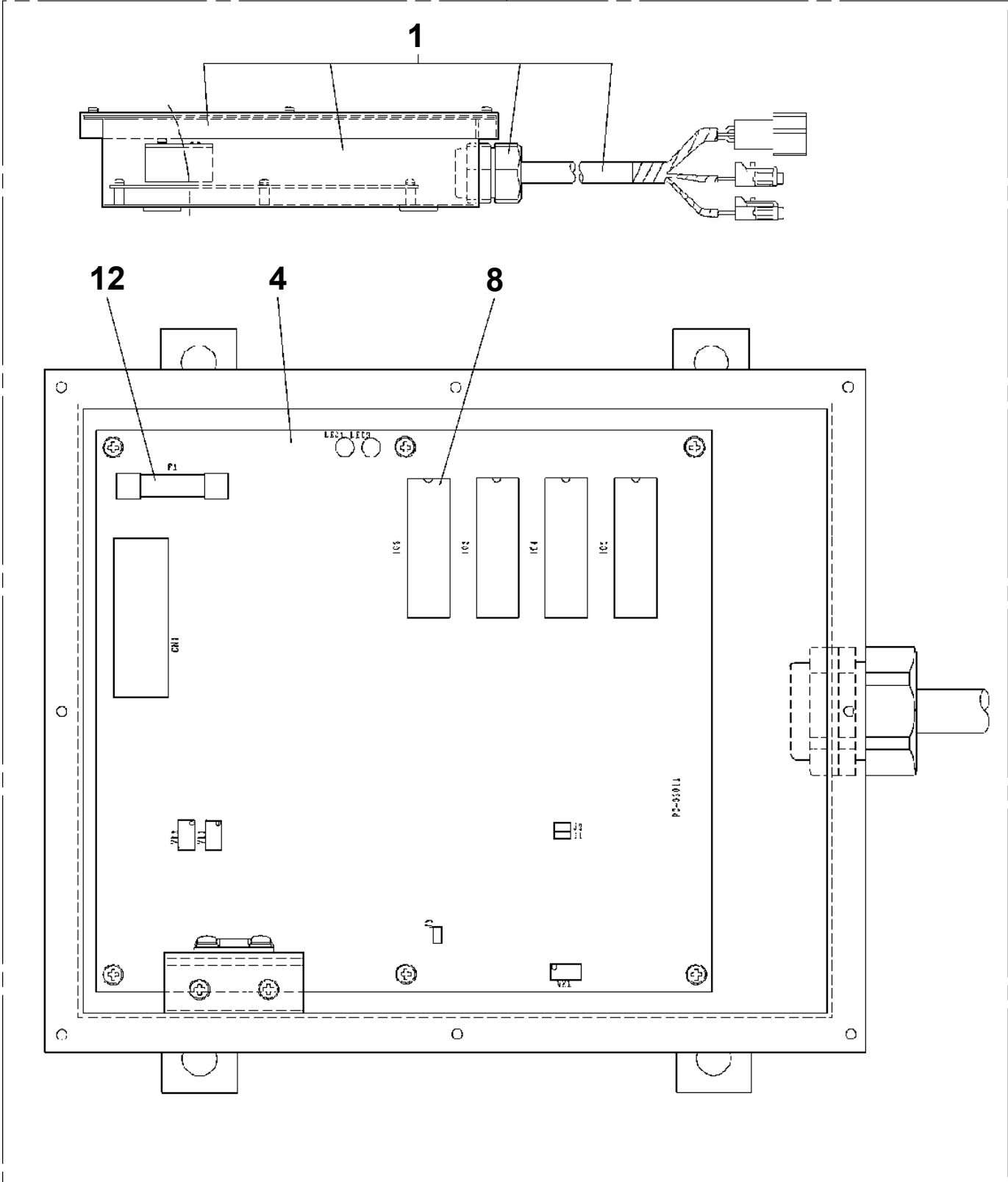


**BT-200-1-40101 UPPER,LOWER,ISUZU KK-NPR72GY
PX1610006-00 MOUNT,MUFFLER**



**BT-200-1-40101 UPPER,LOWER,ISUZU KK-NPR72GY
PY1240024-00 CONTROL UNIT (VOICE)**

50



CLICK HERE TO **DOWNLOAD** THE COMPLETE MANUAL

- Thank you very much for reading the preview of the manual.
- You can download the complete manual from: www.heydownloads.com by clicking the link below



- Please note: If there is no response to CLICKING the link, please download this PDF first and then click on it.

CLICK HERE TO **DOWNLOAD** THE COMPLETE MANUAL