

BT-200-1-20101 UPPER,LOWER,MITSUBISHI KK-FE63ECY

**PD2000011-01 SWING UNIT
PG2000012-00 BOOM UNIT (UPPER)
PG2000013-00 BOOM UNIT (POST)
PG2000014-00 BOOM UNIT (LOWER BOOM)
PH1000449-00 SAFETY DEVICES (AML)
PJ3000177-00 PLATFORM SYSTEM
PK2000089-01 FRAME UNIT
PN1000405-00 ELECTRIC EQUIPMENT (GENERATOR)
PO1000131-03 INDICATION PLATES
PW1000028-00 ACCESSORIES & TOOLS
PX2000012-01 CARRIER UNIT
PX3000015-01 MOUNTING UNIT
PY1000491-03 OPTIONS
ASSEMBLY**

CLICK HERE TO **DOWNLOAD** THE COMPLETE MANUAL

- Thank you very much for reading the preview of the manual.
- You can download the complete manual from: www.heydownloads.com by clicking the link below



- Please note: If there is no response to CLICKING the link, please download this PDF first and then click on it.

CLICK HERE TO **DOWNLOAD** THE COMPLETE MANUAL

BT-200-1-20101 UPPER,LOWER,MITSUBISHI KK-FE63ECY

| Pos No. | Parts No | Parts Name | Qty | Unit | Technical Data | Serial No (Start) | Serial No (End) | Re |
|---------|-------------|----------------------------|-----|------|----------------|-------------------|-----------------|----|
| 1 | 42351041002 | CONTROL BOX (RC COMPUTER) | 1 | | | | | |
| | 36119000000 | CONTROL BOX (KOREAN VOICE) | 1 | | | | | |

BT-200-1-20101 UPPER,LOWER,MITSUBISHI KK-FE63ECY

| Pos No. | Parts No | Parts Name | Qty | Unit | Technical Data | Serial No (Start) | Serial No (End) | Remarks | Pages |
|---------|----------|-------------|-----|------|----------------|-------------------|-----------------|---------|--------|
| 1 | (*****) | ACCESSORIES | 1 | | | | | | 000179 |

BT-200-1-20101 UPPER,LOWER,MITSUBISHI KK-FE63ECY

PY1240026-02 CONTROL UNIT (VOICE)

PY1240026-02 CONTROL UNIT (VOICE)

PY1560008-05 ALARM SYSTEM, OVERRUN

PY1840005-00 BREAKER

PY2200020-03 INTERPHONE

PY2200032-00 INTERPHONE

BT-200-1-20101 UPPER,LOWER,MITSUBISHI KK-FE63ECY

| Pos No. | Parts No | Parts Name | Qty | Unit | Technical Data | Serial No (Start) | Serial No (End) | Rema |
|---------|-------------|---------------------------|-----|------|----------------|-------------------|-----------------|------|
| 2 | 90101508016 | BOLT | 6 | | M8X16 | | HB6427 | |
| | 99163008016 | BOLT (M8X16) | 6 | | | HB6428 | | |
| 3 | 90302040801 | WASHER,SPRING | 6 | | 8 | | HB6427 | |
| 4 | 53156005000 | BREATHER ASSY (OB-10T) | 1 | | | | | |
| 5 | 36100615010 | COVER | 1 | | | | | |
| 6 | 91001218500 | O-RING | 1 | | 1A G185 | | | |
| 7 | 91801300150 | CLIP | 2 | | D=13-15 | | HB6427 | |
| | 91803880040 | CLIP | 2 | | D=10-12.2 | HB6428 | | |
| 8 | 36102025010 | HOSE | 1 | | | | HB6427 | |
| | 37002516440 | HOSE | 1 | | L=140 | HB6428 | | |
| 9 | 80316080060 | PLUG | 1 | | | | | |
| 21 | 53156005010 | ELEMENT (OB-10T & OB-10B) | 1 | | | | HB5346 | |
| | 53156005011 | ELEMENT | 1 | | | HB5347 | | |
| 22 | 53156005020 | PACKING SET | 1 | | | | HB5374 | |
| 53 | 53156005030 | PLATE (WITH PACKING) | 1 | | | HB5375 | | |
| 54 | 53156005040 | PACKING | 1 | | | HB5375 | | |
| 100 | 36102020000 | TANK,OIL | 1 | | | | | |

BT-200-1-20101 UPPER,LOWER,MITSUBISHI KK-FE63ECY

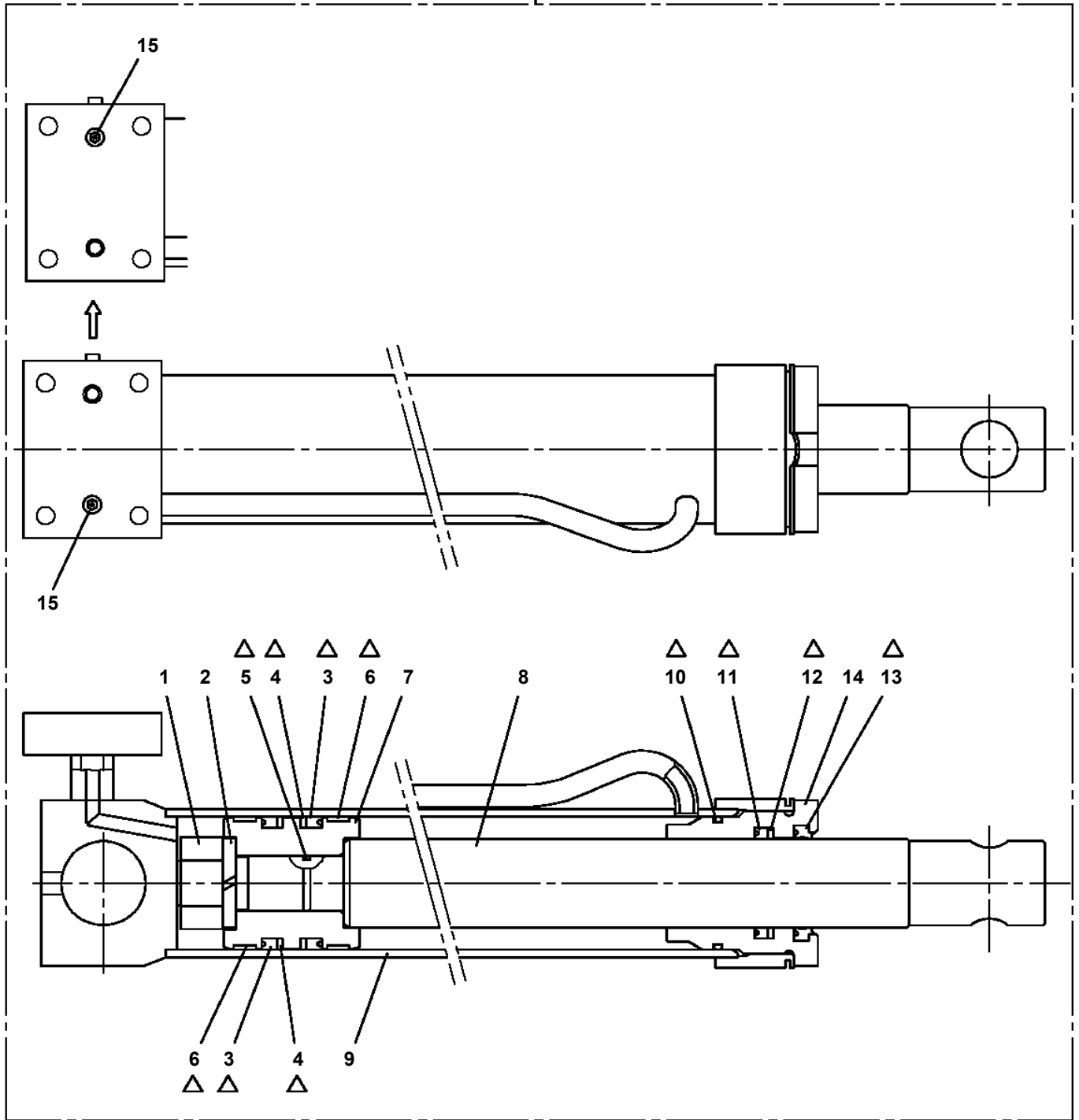
| Pos No. | Parts No | Parts Name | Qty | Unit | Technical Data | Serial No (Start) | Serial No (End) | Remarks | Pages |
|---------|-------------|--------------|-----|------|----------------|-------------------|-----------------|---------|-------|
| 1 | 37002439560 | HOSE | 1 | | L=1450 | | | | |
| 2 | 37002443070 | HOSE | 1 | | L=1500 | | | | |
| 3 | 37002414080 | HOSE | 1 | | L=1700 | | | | |
| 4 | 37002436720 | HOSE | 1 | | L=1850 | | HB5259 | | |
| | 37002442410 | HOSE | 1 | | L=1500 | HB5265 | | | |
| 5 | 37002442350 | HOSE | 1 | | L=1550 | | | | |
| 6 | 37002417360 | HOSE | 1 | | L=1800 | | | | |
| 7 | 37002457650 | HOSE | 1 | | L=1650 | | HB5259 | | |
| | 37002442350 | HOSE | 1 | | L=1550 | HB5265 | | | |
| 8 | 37002419470 | HOSE | 1 | | L=1750 | | | | |
| 9 | 37002453000 | HOSE | 1 | | L=2050 | | HB5259 | | |
| | 37002453000 | HOSE | 1 | | L=2050 | HB5265 | | | |
| 10 | 37002458630 | HOSE | 1 | | L=1800 | | HB5259 | | |
| | 37002458630 | HOSE | 1 | | L=1800 | HB5265 | | | |
| 11 | 37000714050 | CLAMP ASSY | 2 | | 18X3 | | | | |
| 12 | 37000300740 | SLEEVE | 5 | | 18-12 | | | | |
| 13 | 37000714100 | CLAMP ASSY | 1 | | 18X6 | | | | |
| 14 | 37000714040 | CLAMP ASSY | 1 | | 18X2 | | | | |
| 15 | 37000711330 | CLAMP ASSY | 1 | | 18X2-22 | | | | |
| 16 | 91810130240 | FASTENER | 5 | | | | HB5380 | | |
| | 91810130240 | FASTENER | 6 | | | HB5381 | | | |
| 17 | 82100001412 | TUBE, SPIRAL | 8 | M | SE-12BK | | | | |
| 18 | 80481102030 | JOINT | 2 | | L G1/4-G3/8 | | | | |
| 19 | 91002801100 | O-RING | 4 | | 1B P11 | | | | |
| 20 | 80430620400 | JOINT | 1 | | | | HB5215 | | |
| 21 | 37000921300 | JOINT | 2 | | S,PF1/4-PF1/4 | | HB5215 | | |
| | 37000921300 | JOINT | 1 | | S,PF1/4-PF1/4 | HB5216 | | | |
| 22 | 37002417940 | HOSE | 1 | | L=1850 | | | | |
| 23 | 80481302020 | JOINT | 1 | | G1/4-G1/4 | HB5216 | | | |
| 31 | 91002801100 | O-RING | 1 | | 1B P11 | | HB5215 | | |

BT-200-1-20101 UPPER,LOWER,MITSUBISHI KK-FE63ECY

| Pos No. | Parts No | Parts Name | Qty | Unit | Technical Data | Serial No (Start) | Serial No (End) | Remarks | P |
|---------|-------------|---------------------|-----|------|----------------|-------------------|-----------------|---------|---|
| 66 | 80320030075 | FITTING,ELBOW | 5 | | KLE12-020N | | | | |
| 67 | 81408000160 | PIPE,STEEL | 1 | M | 12X1.4T | | | | |
| 68 | 81408000160 | PIPE,STEEL | 1 | M | 12X1.4T | | | | |
| 69 | 37002412790 | HOSE | 1 | | L=1120 | | | | |
| 70 | 37002456680 | HOSE | 3 | | L=990 | | | | |
| 71 | 81408000160 | PIPE,STEEL | 1 | M | 12X1.4T | | | | |
| 72 | 81408000160 | PIPE,STEEL | 1 | M | 12X1.4T | | | | |
| 73 | 81408000160 | PIPE,STEEL | 1 | M | 12X1.4T | | | | |
| 74 | 81408000160 | PIPE,STEEL | 1 | M | 12X1.4T | | | | |
| 75 | 81408000160 | PIPE,STEEL | 1 | M | 12X1.4T | | | | |
| 76 | 81408000160 | PIPE,STEEL | 1 | M | 12X1.4T | | | | |
| 77 | 81408000210 | PIPE,STEEL | 1 | M | 15X2.0T | | | | |
| 78 | 90101208050 | BOLT | 5 | | M8X50 | | | | |
| 79 | 90101208040 | BOLT | 2 | | M8X40 | | | | |
| 80 | 90302040801 | WASHER,SPRING | 11 | | 8 | | | | |
| 81 | 90303070801 | WASHER,PLAIN | 7 | | 8 | | | | |
| 83 | 81408000241 | PIPE,STEEL | 1 | M | 18X1.9T | | | | |
| 84 | 37002470650 | HOSE | 1 | | L=780 | | | | |
| 85 | 82100002018 | CLAMP | 2 | | WR35 | | | | |
| 86 | 82100002010 | CLAMP | 1 | | WR15 | | | | |
| 87 | 82100001412 | TUBE,SPIRAL | 1 | M | SE-12BK | | | | |
| 88 | 90201200800 | NUT | 5 | | M8 | | | | |
| 89 | 90101208010 | BOLT | 2 | | M8X10 | | | | |
| 90 | 90101206010 | BOLT | 1 | | M6X1.0 | | | | |
| 91 | 90302040601 | WASHER,SPRING | 1 | | 6 | | | | |
| 92 | 81408000241 | PIPE,STEEL | 2 | M | 18X1.9T | | | | |
| 93 | 90101208025 | BOLT | 2 | | M8X25 | | | | |
| 94 | 82100001819 | TUBE,SPIRAL | 1 | M | SE-18BK | | | | |
| 95 | 37002449600 | HOSE | 2 | | L=375 | | | | |
| 96 | 37002425880 | HOSE | 1 | | L=950 | | | | |
| 97 | 37002453130 | HOSE | 1 | | L=850 | | | | |
| 98 | 37002468000 | HOSE | 1 | | L=1230 | | | | |
| 99 | 37002443230 | HOSE | 1 | | L=1320 | | | | |
| 100 | 81408000241 | PIPE,STEEL | 2 | M | 18X1.9T | | | | |
| 101 | 81408000241 | PIPE,STEEL | 2 | M | 18X1.9T | | | | |
| 102 | 37000711090 | CLAMP ASSY | 1 | | 18X2 | | | | |
| 103 | 80303010160 | FITTING,ELBOW | 2 | | KLA18-000N | | | | |
| 104 | 80491303020 | JOINT (WITH O-RING) | 2 | | L,G3/8-G1/4 | | | | |
| 105 | 80302090141 | FITTING | 1 | | KCO12-020N | | | | |
| 121 | 91002801100 | O-RING | 12 | | 1B P11 | | | | |
| 131 | 91002801800 | O-RING | 2 | | 1B P18 | | | | |
| 141 | 91002801400 | O-RING | 4 | | 1B P14 | | | | |

BT-200-1-20101 UPPER,LOWER,MITSUBISHI KK-FE63ECY
 PC1030273-01 CYLINDER,JACK (FRONT)

50



Δ:PACKING SET KEY NO.31 (KEY NO.3,4,5,6,10,11,12,13)

BT-200-1-20101 UPPER,LOWER,MITSUBISHI KK-FE63ECY

| Pos No. | Parts No | Parts Name | Qty | Unit | Technical Data | Serial No (Start) | Serial No (End) | Remarks | Pages |
|---------|-------------|---------------|-----|------|----------------|-------------------|-----------------|---------|-------|
| 1 | 37000105720 | PIN | 2 | | | | | | |
| 2 | 42893310300 | LEVER | 1 | | | | | | |
| 3 | 90303071001 | WASHER,PLAIN | 1 | | 10 | | | | |
| 4 | 80136332020 | PIN,SPLIT | 1 | | 3.2X20 | | | | |
| 5 | 90303070601 | WASHER,PLAIN | 2 | | 6 | | | | |
| 6 | 80136320010 | PIN,SPLIT | 2 | | 2X10 | | | | |
| 7 | 42895931000 | LINK ASSY | 1 | | | | | | |
| 8 | 90101208020 | BOLT | 2 | | M8X20 | | | | |
| 9 | 82100002006 | CLAMP | 3 | | WR10 | | | | |
| 10 | 90302040601 | WASHER,SPRING | 3 | | 6 | | | | |
| 11 | 90201200600 | NUT | 3 | | M6 | | | | |
| 12 | 37001702800 | CABLE,CONTROL | 1 | | L=2950 | | | | |
| 13 | 90302040801 | WASHER,SPRING | 2 | | 8 | | | | |
| 14 | 90303070801 | WASHER,PLAIN | 2 | | 8 | | | | |
| 15 | 37000566320 | PLATE | N | | T=1.0 | | | | |
| 16 | 37000566340 | PLATE | N | | T=0.3 | | | | |
| 31 | 42895931100 | SUPPORT | 1 | | | | | | |
| 32 | 42895931200 | LINK | 1 | | | | | | |
| 33 | 37001300360 | SPRING | 1 | | | | | | |
| 34 | 90101208040 | BOLT | 1 | | M8X40 | | | | |
| 35 | 90201200800 | NUT | 1 | | M8 | | | | |
| 36 | 80136325018 | PIN,SPLIT | 1 | | | | | | |
| 37 | 90303071001 | WASHER,PLAIN | 1 | | 10 | | | | |

BT-200-1-20101 UPPER,LOWER,MITSUBISHI KK-FE63ECY

| Pos No. | Parts No | Parts Name | Qty | Unit | Technical Data | Serial No (Start) | Serial No (End) | Remarks | Pages |
|---------|-------------|----------------|-----|------|----------------|-------------------|-----------------|---------|-------|
| 1 | 42353890100 | CABLE (L=9900) | 1 | | | | | | |

BT-200-1-20101 UPPER,LOWER,MITSUBISHI KK-FE63ECY

| Pos No. | Parts No | Parts Name | Qty | Unit | Technical Data | Serial No (Start) | Serial No (End) | Rema |
|---------|-------------|-------------------------|-----|------|----------------|-------------------|-----------------|------|
| 1 | 37002301480 | BEARING,SWING | 1 | | | | | |
| 2 | 82400000459 | CAP | 2 | | | | | |
| 3 | 36081180000 | REDUCER,SWING SPEED | 1 | | | | | |
| 4 | 91001208500 | O-RING | 1 | | 1A G85 | | | |
| 5 | 90172112035 | BOLT,HEXAGON SOCKET | 2 | | M12X35 | | | |
| 6 | 90302041201 | WASHER,SPRING | 2 | | 12 | | | |
| 7 | 36662600000 | MOTOR,HYDRAULIC (SWING) | 1 | | | | HB5418 | |
| | 36663950000 | MOTOR,HYDRAULIC | 1 | | | HB5419 | | |
| 8 | 90171116050 | BOLT | 4 | | M16X50 | | | |
| 9 | 31300140010 | BOLT | 20 | | M22X79 | | | |
| 10 | 90172116035 | BOLT,HEXAGON SOCKET | 2 | | M16X35 | | | |
| 11 | 90102216055 | BOLT | 1 | | M16X55 | | | |
| 12 | 90201201600 | NUT | 1 | | M16 | | | |
| 13 | 90303501601 | WASHER,PLAIN | 4 | | 16 | | | |
| 14 | 82458102000 | NIPPLE,GREASE | 2 | | B-PT1/8 | | | |

BT-200-1-20101 UPPER,LOWER,MITSUBISHI KK-FE63ECY

| Pos No. | Parts No | Parts Name | Qty | Unit | Technical Data | Serial No (Start) | Serial No (End) | Remarks | P |
|---------|-------------|--------------------|-----|------|----------------|-------------------|-----------------|---------|---|
| 1 | 36024740103 | CYLINDER | 1 | | | | | | |
| 2 | 80720105040 | PIN,SPRING | 1 | | 5X40 | | | | |
| 3 | 36023950200 | PISTON | 1 | | | | | | |
| 4 | 91684013500 | PACKING | 2 | | | | | | |
| 5 | 91411212001 | RING,BACKUP | 2 | | | | | | |
| 6 | 91302213500 | BEARING,PLAIN | 2 | | | | | | |
| 7 | 91002807500 | O-RING | 1 | | 1B P75 | | | | |
| 8 | 36024740301 | ROD | 1 | | | | | | |
| 9 | 91002812500 | O-RING | 1 | | 1B P125 | | | | |
| 10 | 36024740400 | COVER,ROD | 1 | | | | | | |
| 11 | 91694010000 | PACKING | 1 | | | | | | |
| 12 | 91410210000 | RING,BACKUP | 1 | | | | | | |
| 13 | 91660010000 | SEAL,DUST | 1 | | | | | | |
| 14 | 80622001000 | RING,RITAINING | 1 | | SP100 | | | | |
| 15 | 82458202000 | NIPPLE,GREASE | 2 | | B-TYPE PT1/8 | | | | |
| 16 | 80316070040 | PLUG | 1 | | PF1/4 | | | | |
| 17 | 91002801100 | O-RING | 1 | | 1B P11 | | | | |
| 32 | 37000400950 | BEARING,PLAIN | 2 | | | | | | |
| 44 | 37000401870 | BEARING,PLAIN | 2 | | | | | | |
| 51 | 80612111080 | RING,RITAINING | 1 | | AR108 | | | | |
| 53 | 56452256000 | BEARING,PLAIN | 1 | | | | | | |
| 61 | 36024749900 | PACKING SET | 1 | | 100X135 | | | | |
| 100 | 36024740003 | CYLINDER,ELEVATING | 1 | | | | | | |

BT-200-1-20101 UPPER,LOWER,MITSUBISHI KK-FE63ECY

| Pos No. | Parts No | Parts Name | Qty | Unit | Technical Data | Serial No (Start) | Serial No (End) | Remarks |
|---------|-------------|---------------------|-----|------|----------------|-------------------|-----------------|---------|
| 2 | 36671085040 | COVER,HEAD | 1 | | | | | |
| 3 | 36671085020 | CASE | 1 | | | | | |
| 4 | 36671085060 | FLANGE | 1 | | | | | |
| 5 | 36671085030 | GASKET | 1 | | | | | |
| 7 | 90131510035 | BOLT,HEXAGON SOCKET | 4 | | M10X35 | | | |
| 20 | 36671085050 | ELEMENT KIT | 1 | | | | | |
| 50 | 36671080000 | FILTER ASSY | 1 | | | | | |

BT-200-1-20101 UPPER,LOWER,MITSUBISHI KK-FE63ECY

| Pos No. | Parts No | Parts Name | Qty | Unit | Technical Data | Serial No (Start) | Serial No (End) | Remark |
|---------|-------------|----------------------|-----|------|----------------|-------------------|-----------------|--------|
| 1 | 36014640001 | CYLINDER,TELESCOPING | 1 | | | | | |
| 2 | 36601310000 | VALVE,COUNTERBALANCE | 1 | | | | | |
| 3 | 90172108080 | BOLT,HEXAGON SOCKET | 4 | | M8X80 | | | |
| 11 | 91660006501 | SEAL,DUST | 1 | | | | | |
| 12 | 91410206503 | RING,BACKUP | 1 | | | | | |
| 13 | 91694106500 | PACKING | 1 | | | | | |
| 15 | 91002908000 | O-RING | 1 | | 1B G80 | | | |
| 16 | 36014643001 | ROD | 1 | | | | | |
| 17 | 36014642001 | CYLINDER | 1 | | | | | |
| 18 | 91002803600 | O-RING | 1 | | 1B P36 | | | |
| 19 | 91411206502 | RING,BACKUP | 2 | | | | | |
| 20 | 91684008001 | PACKING | 2 | | | | | |
| 21 | 36014641000 | PISTON | 1 | | | | | |
| 22 | 91302208000 | BEARING,PLAIN | 2 | | | | | |
| 23 | 37001602080 | NUT | 1 | | | | | |
| 24 | 80801006530 | BEARING,PLAIN | 1 | | | | | |
| 25 | 80612110700 | RING,RITAINING | 1 | | AR70 | | | |
| 41 | 36014649900 | PACKING SET | 1 | | | | | |
| 51 | 36014649510 | COVER,ROD | 1 | | | | | |

BT-200-1-20101 UPPER,LOWER,MITSUBISHI KK-FE63ECY

| Pos No. | Parts No | Parts Name | Qty | Unit | Technical Data | Serial No (Start) | Serial No (End) | F |
|---------|-------------|-----------------------------|-----|------|----------------|-------------------|-----------------|---|
| 1 | 36131215010 | PLATE (BASE) | 1 | | | | | |
| 2 | 36130885011 | DRUM ASSY | 1 | | | | | |
| 3 | 36131215020 | CASE | 1 | | | | | |
| 4 | 36131215030 | COVER | 1 | | | | | |
| 5 | 36130885020 | PACKING | 1 | | | | | |
| 6 | 36131335010 | POTENTIOMETER | 1 | | | | | |
| 7 | 36130885031 | GEAR | 1 | | 24T | | | |
| 8 | 36130885041 | GEAR | 1 | | 20T | | | |
| 9 | 36131215040 | BRACKET | 1 | | | | | |
| 10 | 36130235100 | CLAMP (CORD) | 1 | | | | | |
| 11 | 36130235090 | WASHER,SEAL | 1 | | | | | |
| 12 | 82100001155 | CONNECTOR | 1 | | | | | |
| 13 | 36130885050 | CABLE ASSY (WITH CONNECTOR) | 1 | | L=600 | | | |
| 14 | 32360005160 | CLIP (NYLON) | 1 | | | | | |
| 15 | 36130935010 | STOPPER | 2 | | | | | |
| 16 | 36131185030 | PACKING | 1 | | | | | |
| 23 | 90750004041 | SCREW,SET | 1 | | M4X4 | | | |
| 41 | 82100001410 | TUBE,SPIRAL | 1 | M | SE-04BK | | | |
| 42 | 36131215070 | WIRE ASSY | 1 | | L=3085 | | | |
| 50 | 36131210000 | DETECTOR,BOOM LENGTH | 1 | | | | | |

BT-200-1-20101 UPPER,LOWER,MITSUBISHI KK-FE63ECY

| Pos No. | Parts No | Parts Name | Qty | Unit | Technical Data | Serial No (Start) | Serial No (End) | Remarks | Pages |
|---------|-------------|------------|-----|------|----------------|-------------------|-----------------|---------|-------|
| 13 | 82182809623 | DIODE | 1 | | | | | | |
| 100 | 42933061001 | HARNESS | 1 | | | | | | |

BT-200-1-20101 UPPER,LOWER,MITSUBISHI KK-FE63ECY

| Pos No. | Parts No | Parts Name | Qty | Unit | Technical Data | Serial No (Start) | Serial No (End) | Remarks | Pages |
|---------|-------------|------------|-----|------|----------------|-------------------|-----------------|---------|-------|
| 18 | 82182809623 | DIODE | 1 | | | | | | |
| 100 | 42932100100 | HARNESS | 1 | | | | | | |

BT-200-1-20101 UPPER,LOWER,MITSUBISHI KK-FE63ECY

| Pos No. | Parts No | Parts Name | Qty | Unit | Technical Data | Serial No (Start) | Serial No (End) | Remarks | Pages |
|---------|-------------|------------|-----|------|----------------|-------------------|-----------------|---------|-------|
| 100 | 42652080010 | HARNESS | 1 | | | | | | |

BT-200-1-20101 UPPER,LOWER,MITSUBISHI KK-FE63ECY

| Pos No. | Parts No | Parts Name | Qty | Unit | Technical Data | Serial No (Start) | Serial No (End) | Remarks | Pages |
|---------|-------------|------------|-----|------|----------------|-------------------|-----------------|---------|-------|
| 100 | 42652131400 | HARNESS | 1 | | | | | | |

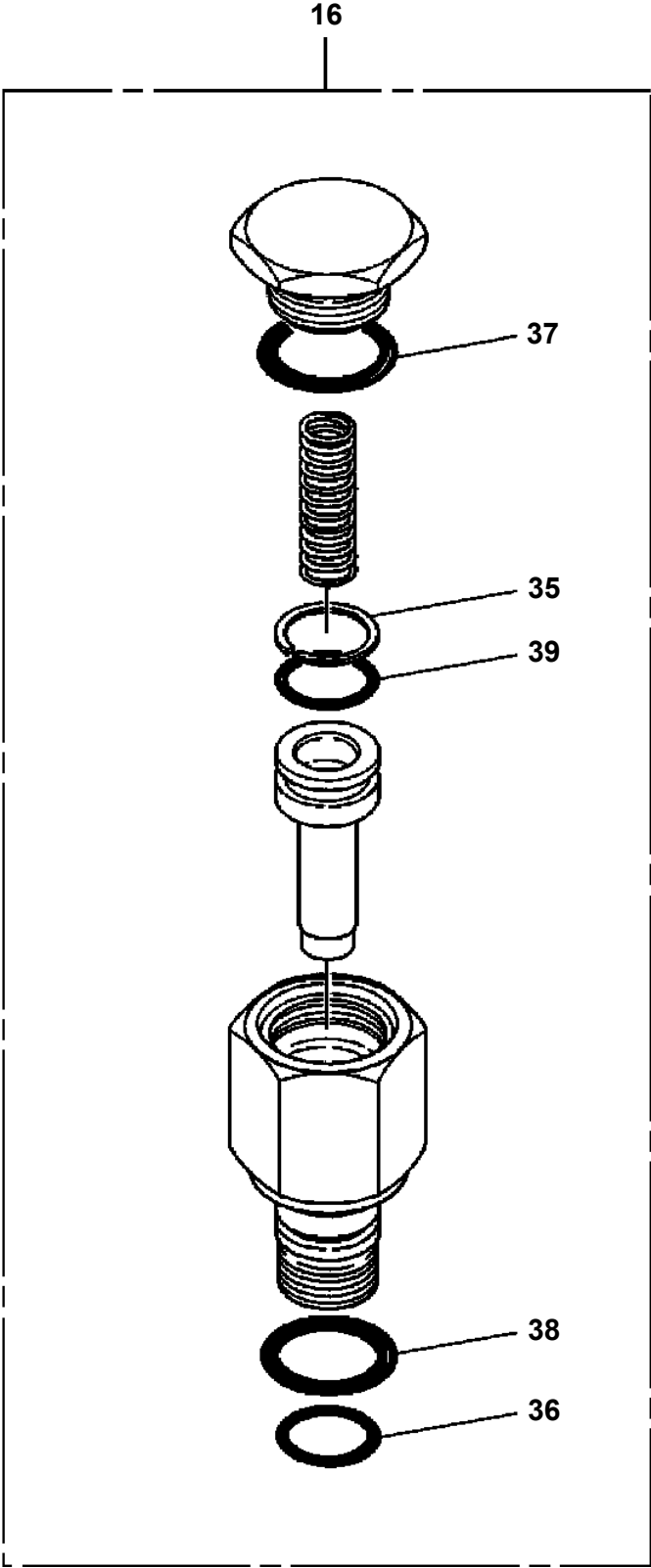
BT-200-1-20101 UPPER,LOWER,MITSUBISHI KK-FE63ECY

| Pos No. | Parts No | Parts Name | Qty | Unit | Technical Data | Serial No (Start) | Serial No (End) | Remarks | Pages |
|---------|-------------|------------|-----|------|----------------|-------------------|-----------------|---------|-------|
| 100 | 42714372000 | HARNESS | 1 | | | | | | |

BT-200-1-20101 UPPER,LOWER,MITSUBISHI KK-FE63ECY

| Pos No. | Parts No | Parts Name | Qty | Unit | Technical Data | Serial No (Start) | Serial No (End) | Remarks | Pages |
|---------|-------------|------------|-----|------|----------------|-------------------|-----------------|---------|-------|
| 100 | 42712331010 | HARNESS | 1 | | | | | | |

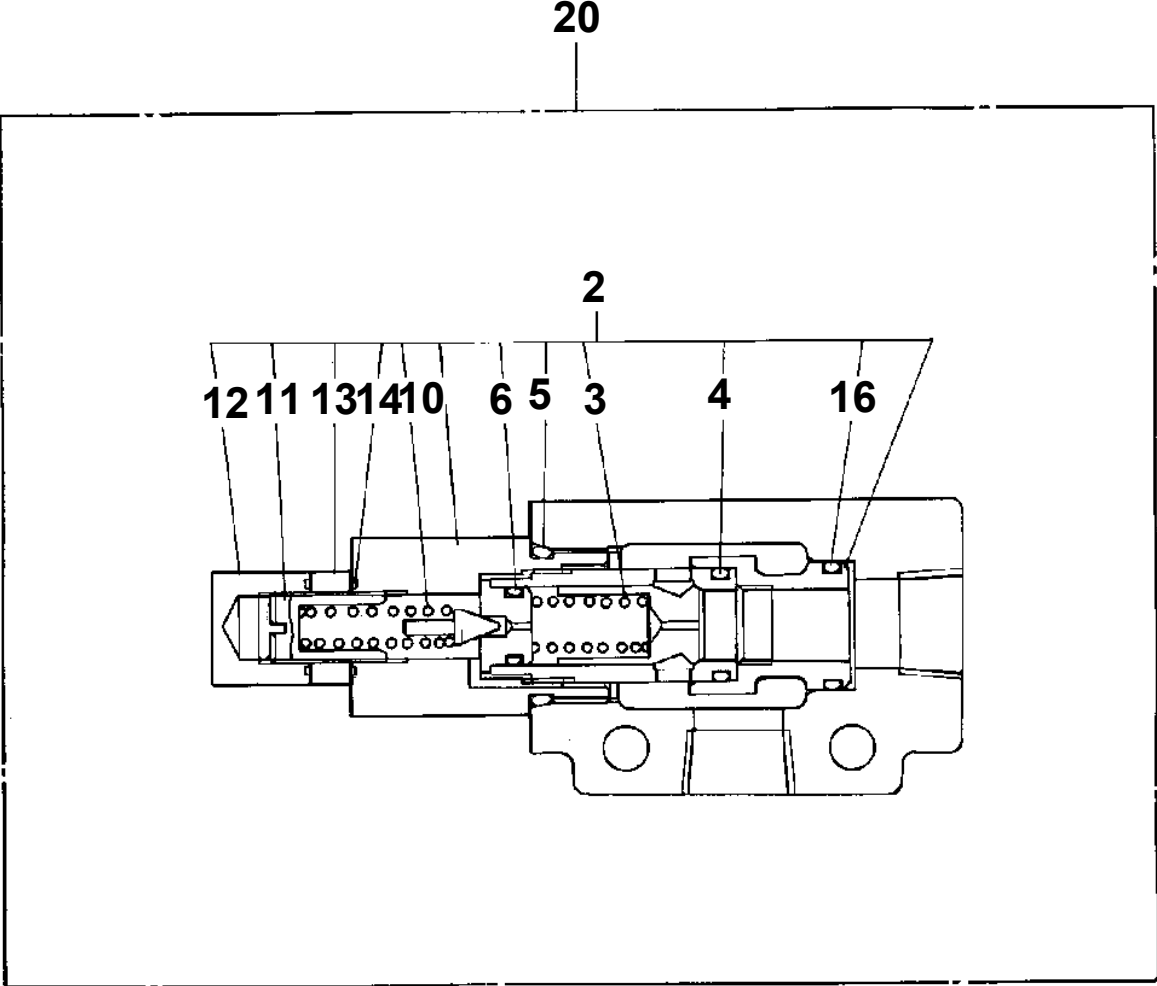
**BT-200-1-20101 UPPER,LOWER,MITSUBISHI KK-FE63ECY
PI1010088-01 MOTOR,HYDRAULIC (SWING)**



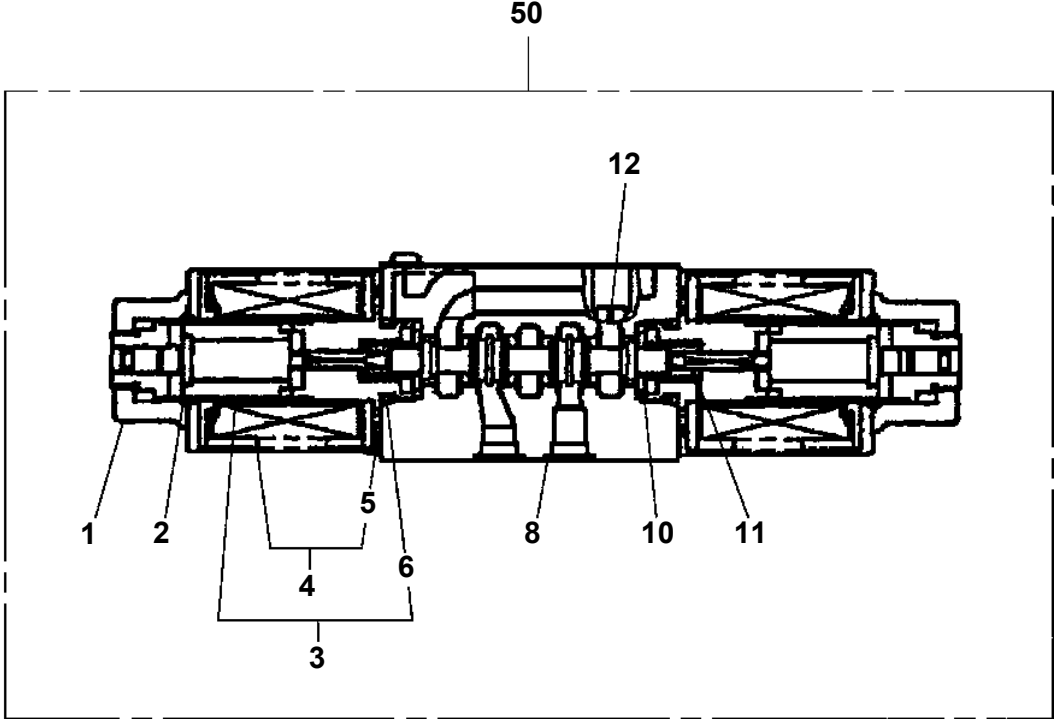
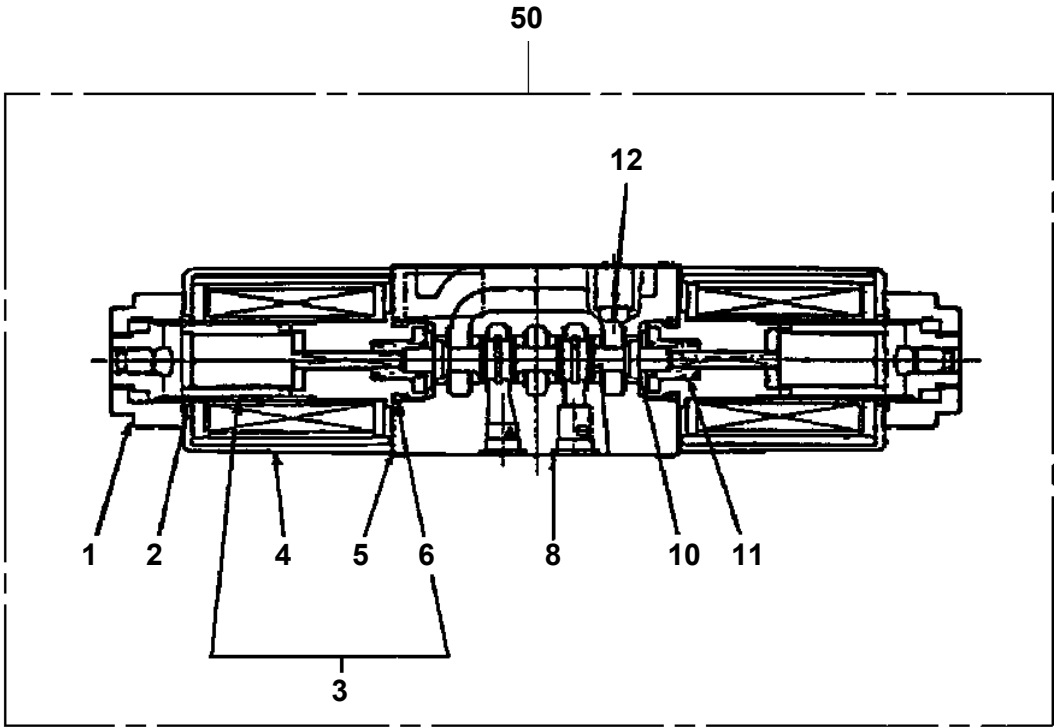
**BT-200-1-20101 UPPER,LOWER,MITSUBISHI KK-FE63ECY
PI1100060-01 VALVE,RELIEF**

ASSEMBLY INQUIRY VALVE, RELIEF

PI1100060-01



BT-200-1-20101 UPPER,LOWER,MITSUBISHI KK-FE63ECY
PI1120229-01 VALVE,SOLENOID



CLICK HERE TO **DOWNLOAD** THE COMPLETE MANUAL

- Thank you very much for reading the preview of the manual.
- You can download the complete manual from: www.heydownloads.com by clicking the link below

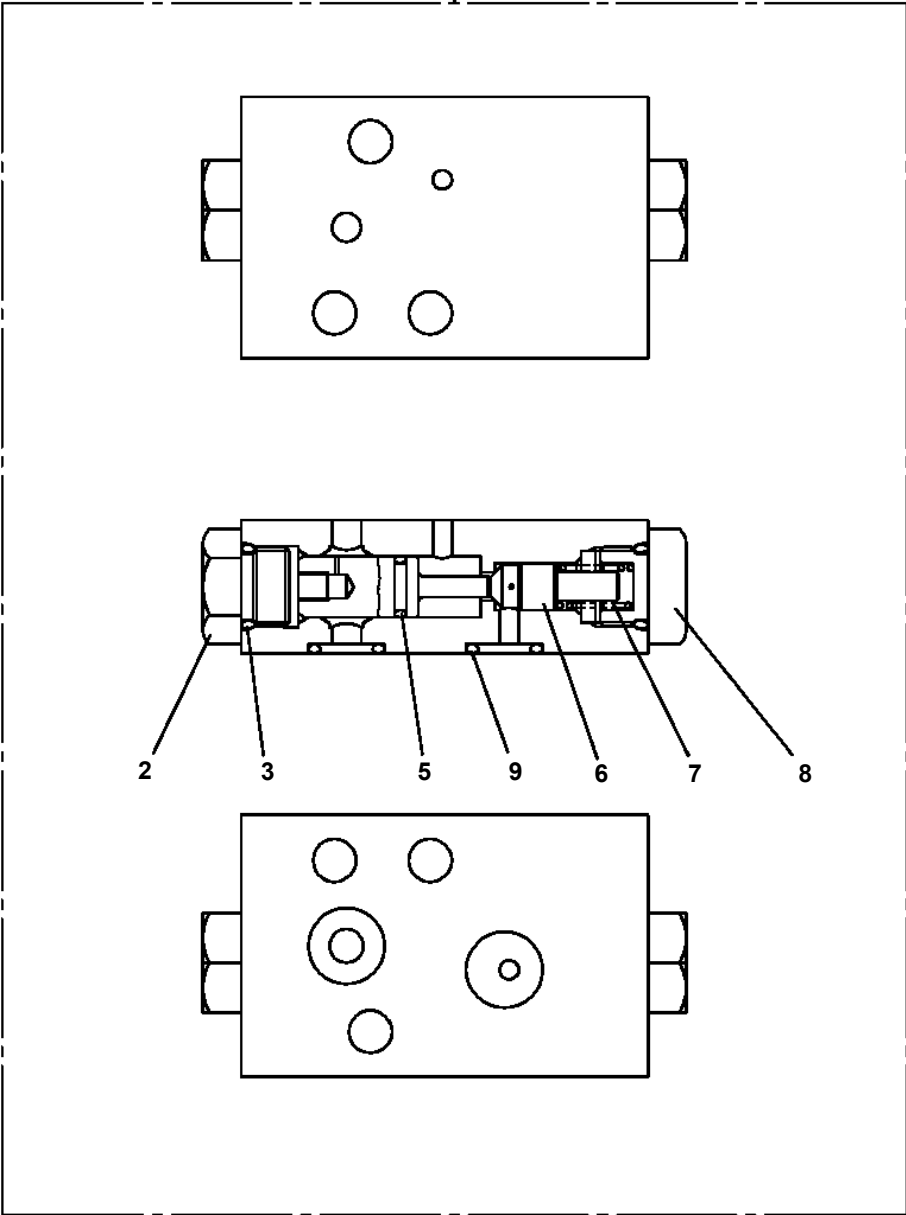


- Please note: If there is no response to CLICKING the link, please download this PDF first and then click on it.

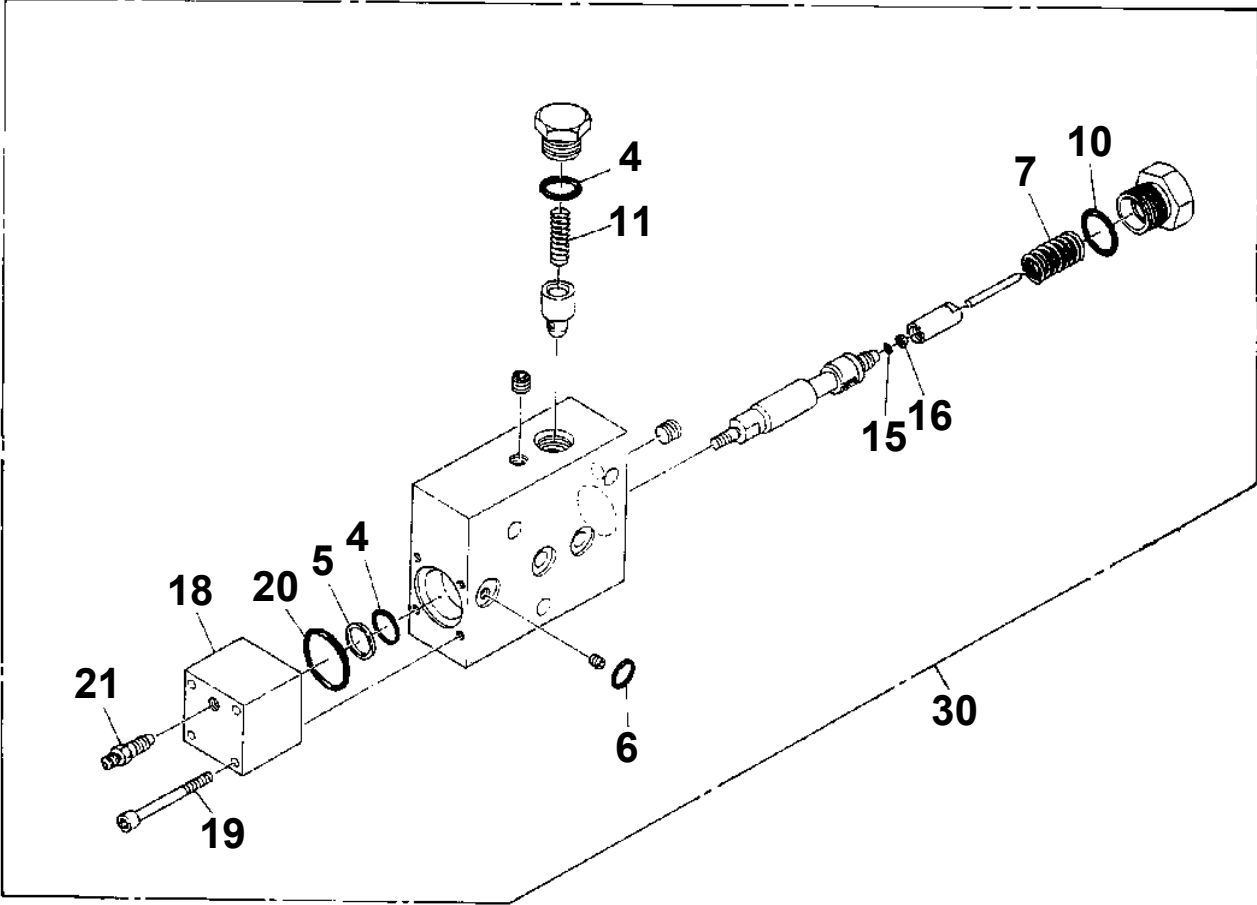
CLICK HERE TO **DOWNLOAD** THE COMPLETE MANUAL

**BT-200-1-20101 UPPER,LOWER,MITSUBISHI KK-FE63ECY
PI1140153-00 VALVE,CHECK**

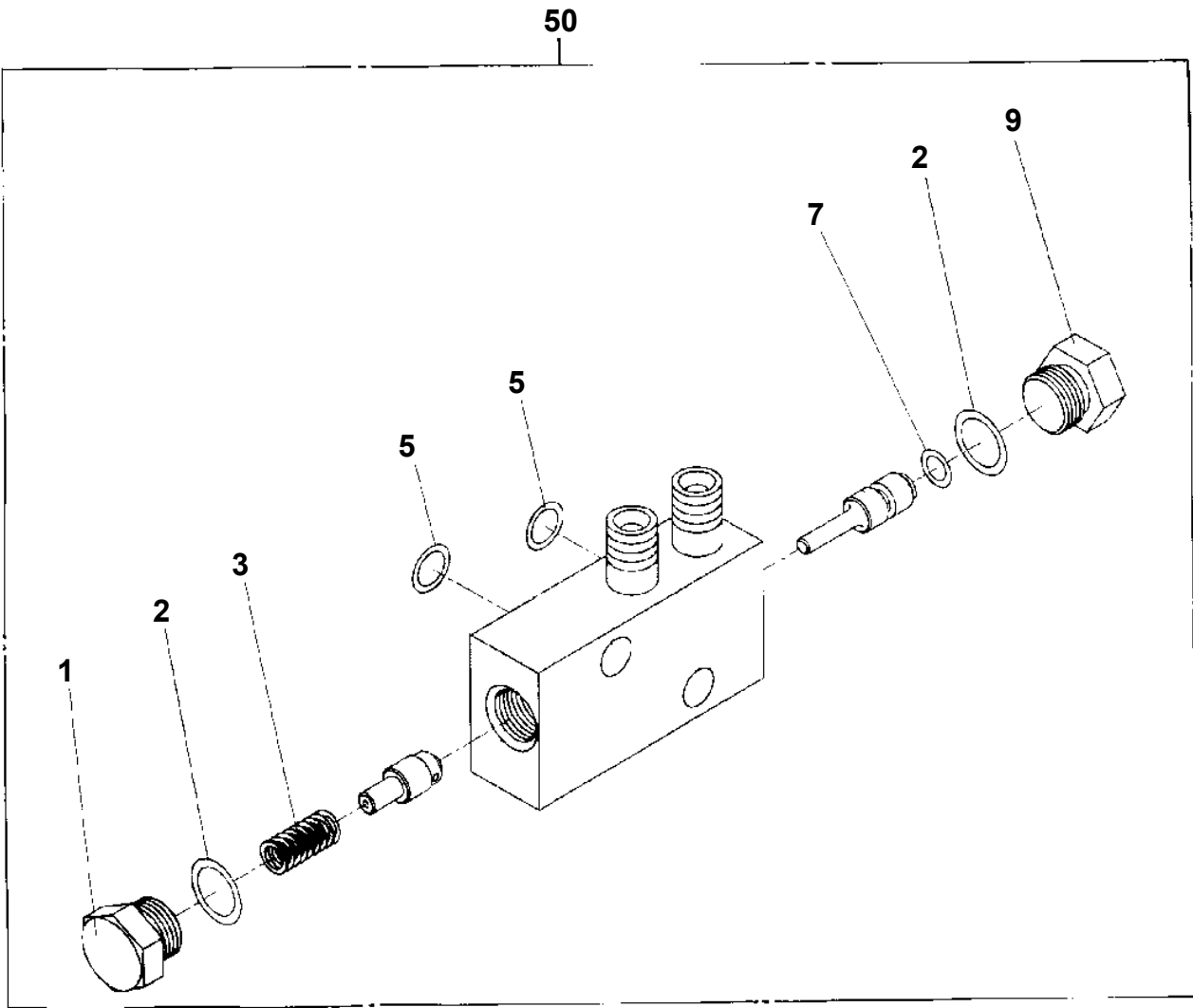
50



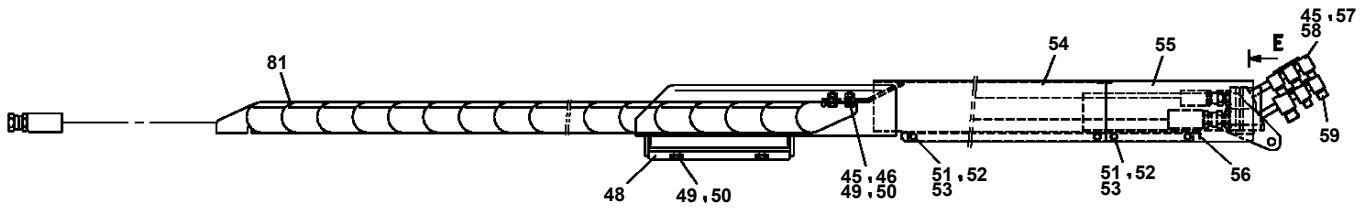
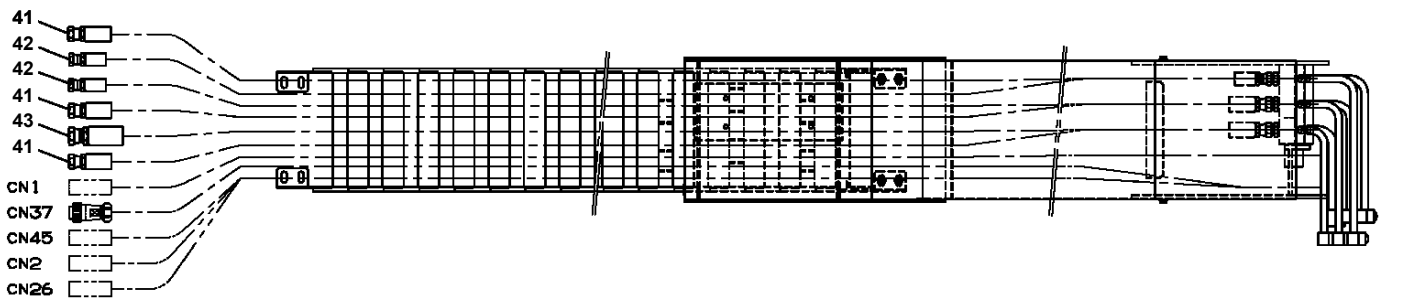
**BT-200-1-20101 UPPER,LOWER,MITSUBISHI KK-FE63ECY
PI1250093-00 VALVE,COUNTERBALANCE**



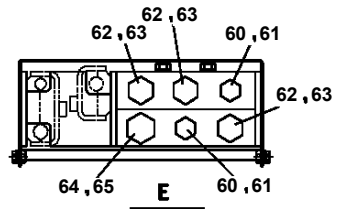
**BT-200-1-20101 UPPER,LOWER,MITSUBISHI KK-FE63ECY
PI1280064-00 VALVE,PILOT CHECK**



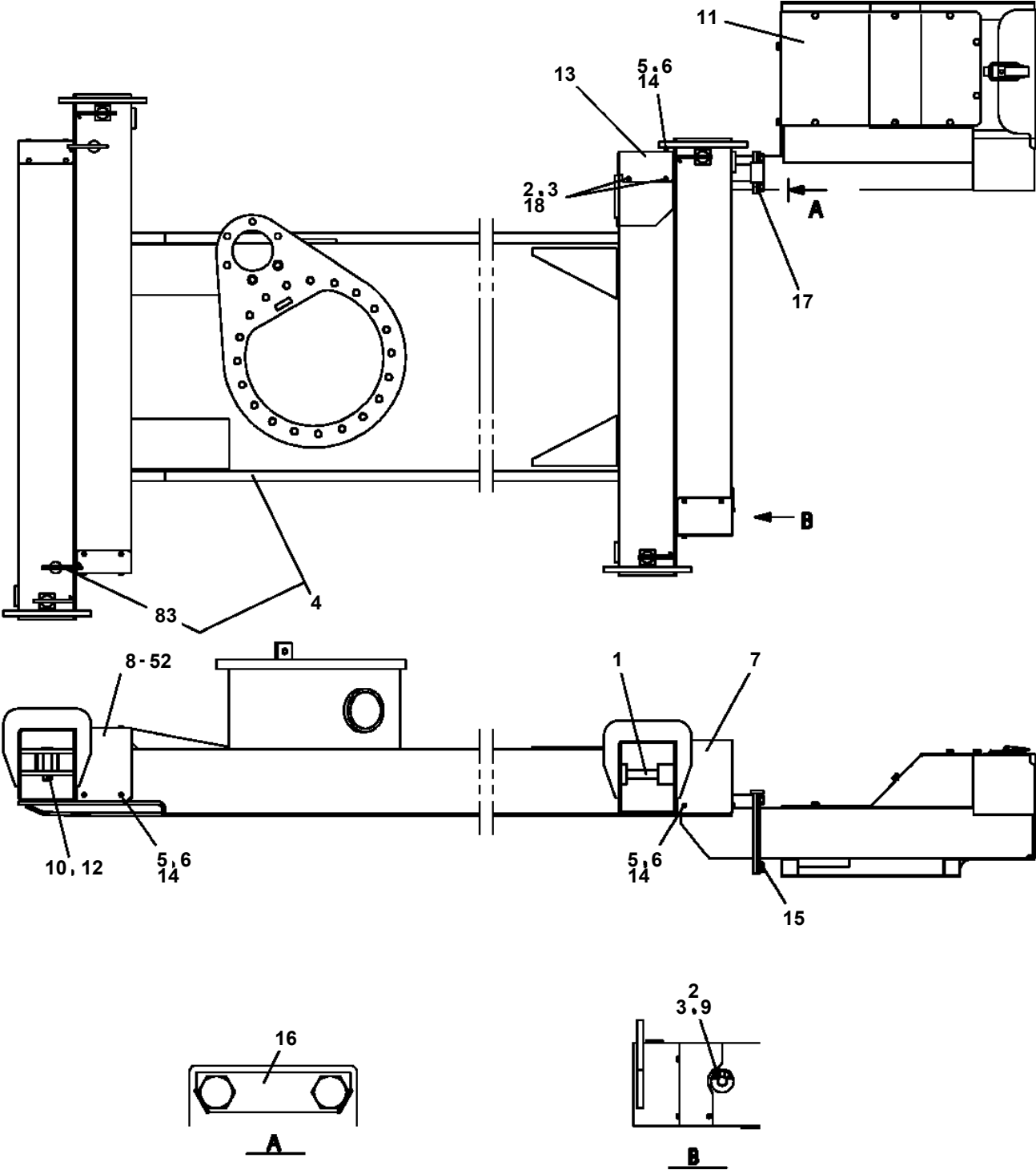
**BT-200-1-20101 UPPER,LOWER,MITSUBISHI KK-FE63ECY
PJ3100074-01 PIPING,BOOM (2)**



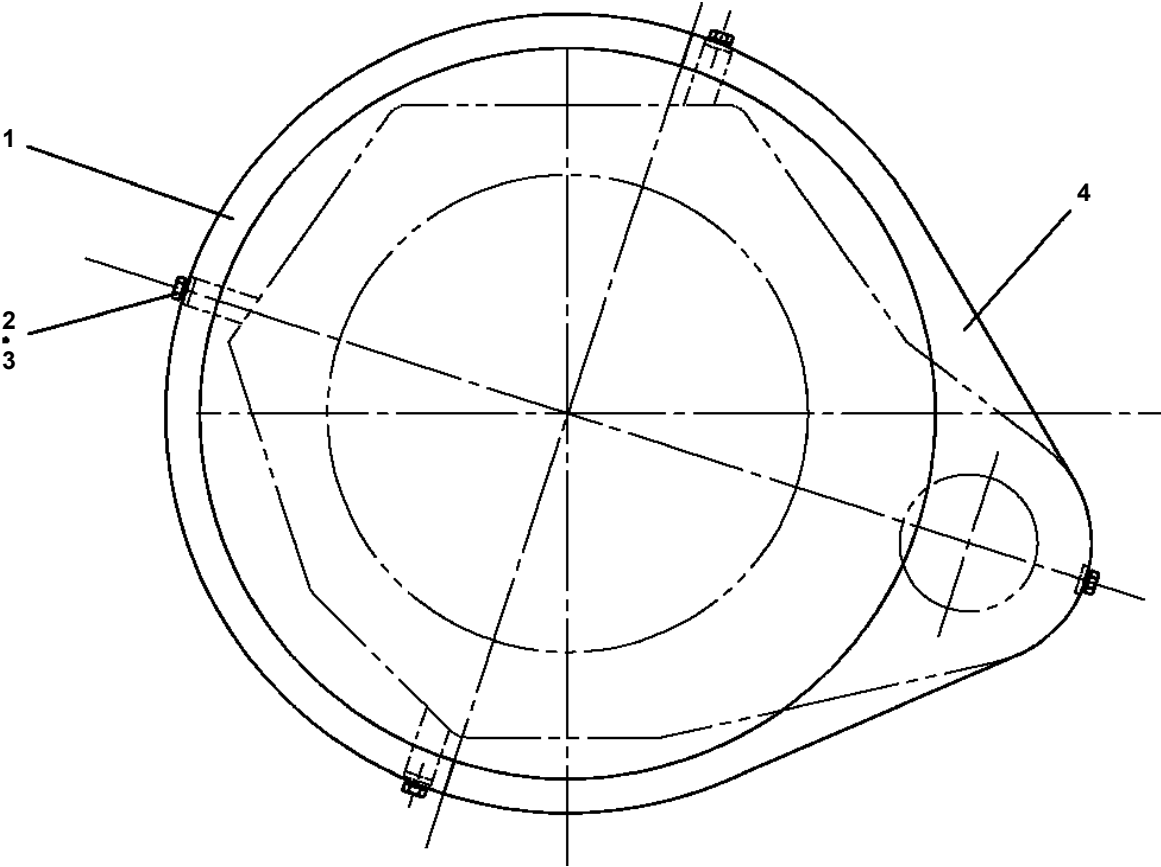
J



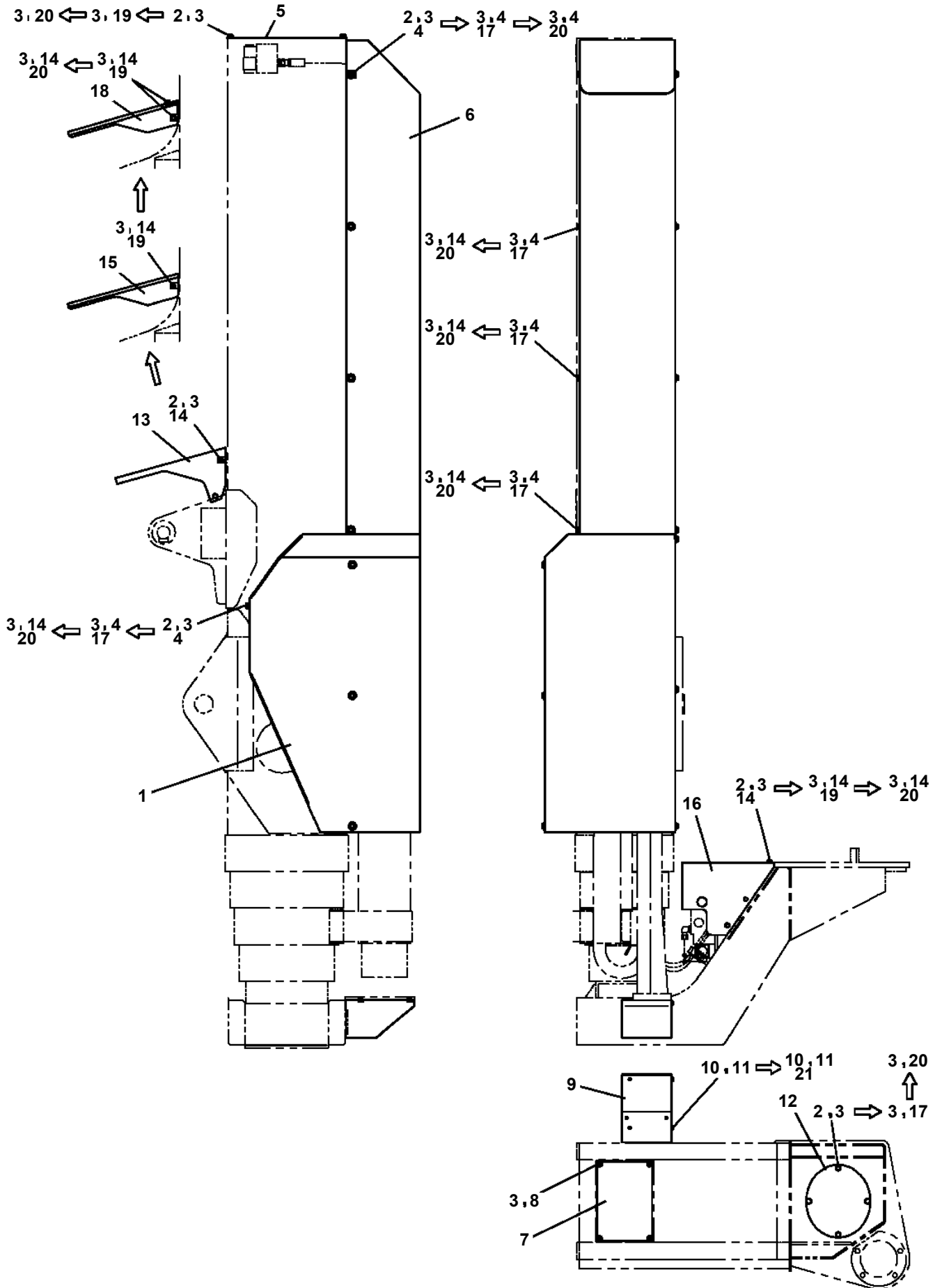
BT-200-1-20101 UPPER,LOWER,MITSUBISHI KK-FE63ECY
PK1010672-02 FRAME



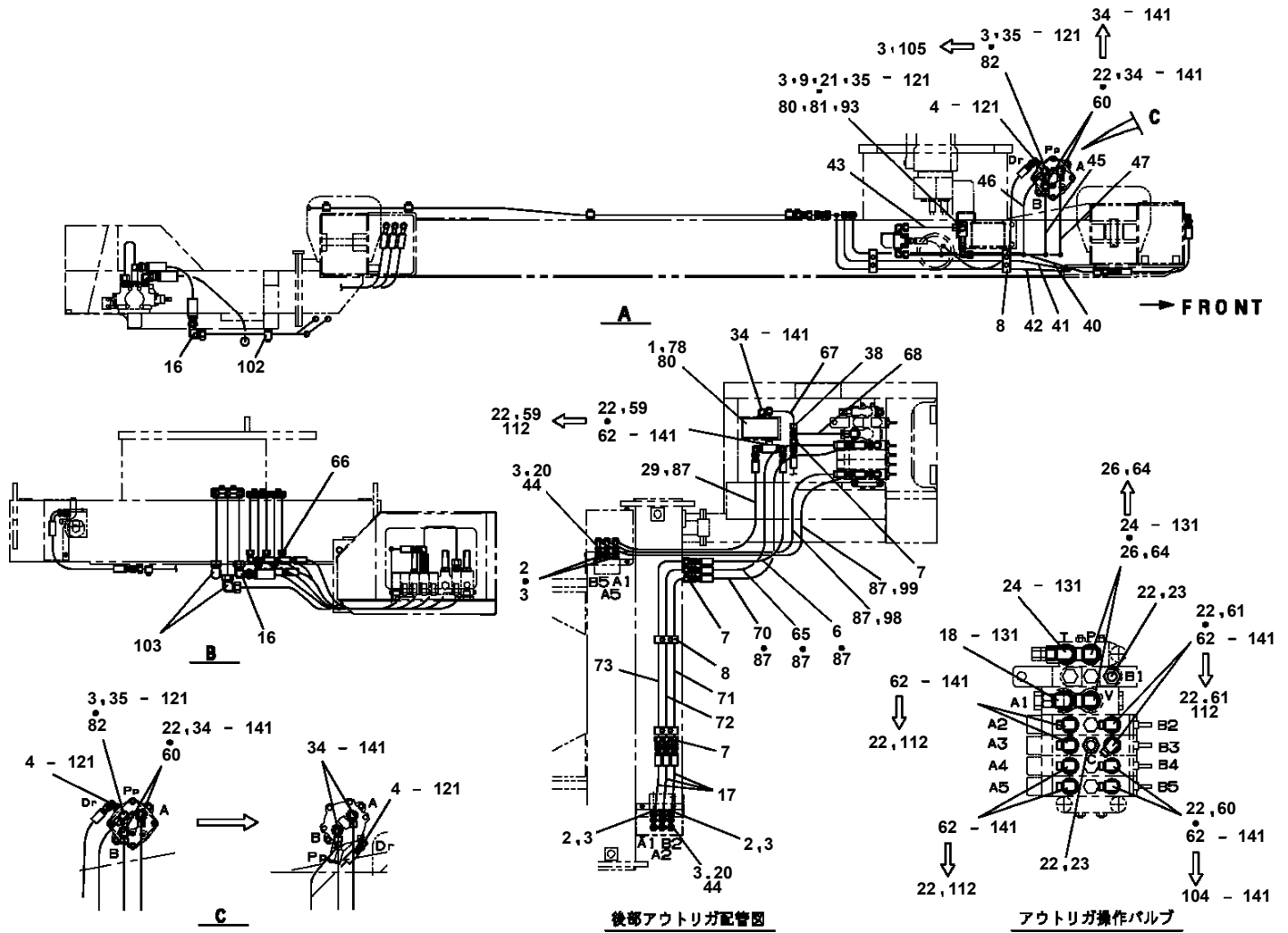
BT-200-1-20101 UPPER,LOWER,MITSUBISHI KK-FE63ECY
PK1200153-00 COVER,SWING FRAME



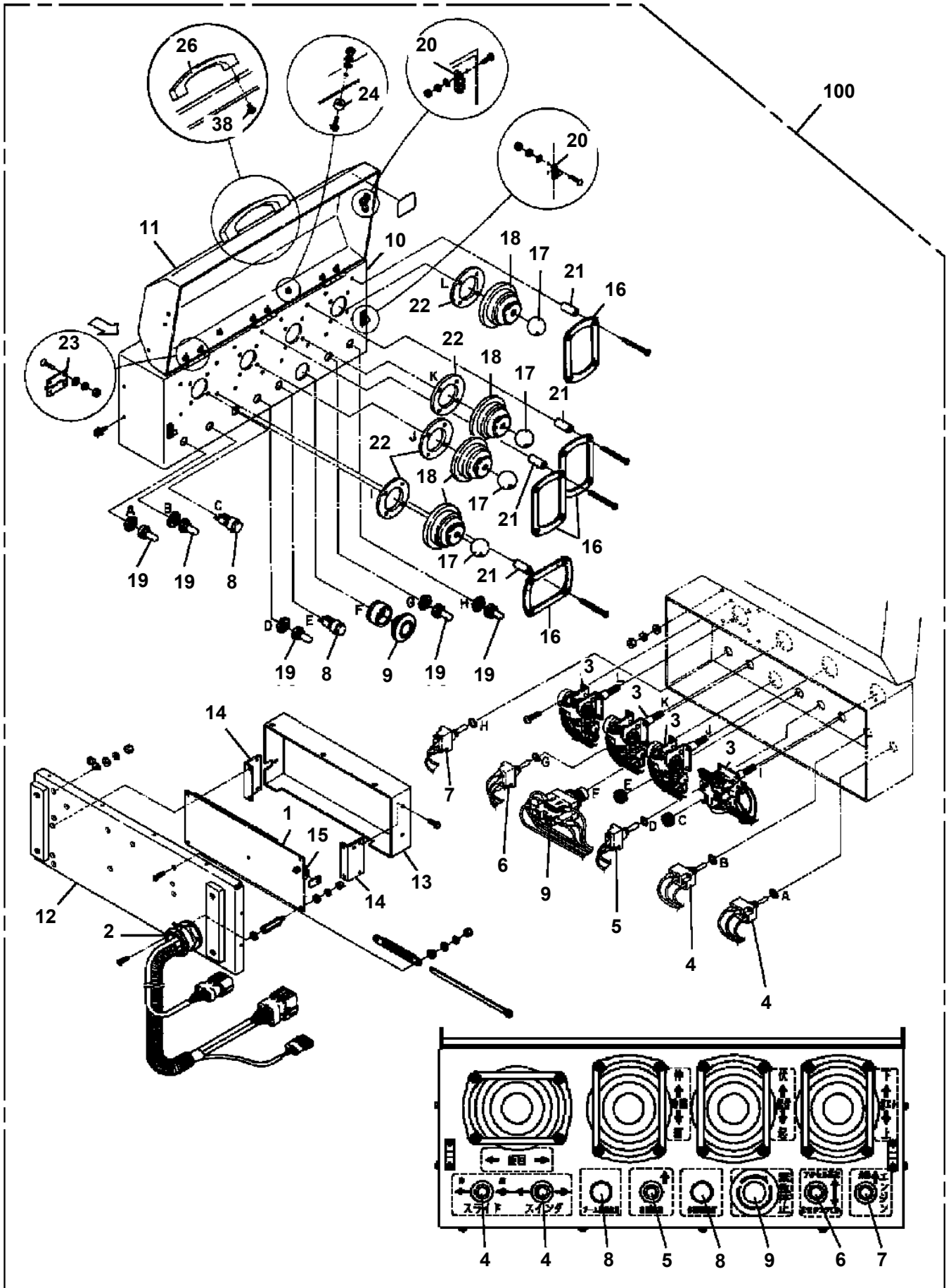
**BT-200-1-20101 UPPER,LOWER,MITSUBISHI KK-FE63ECY
PK1330068-03 COVER (POST)**



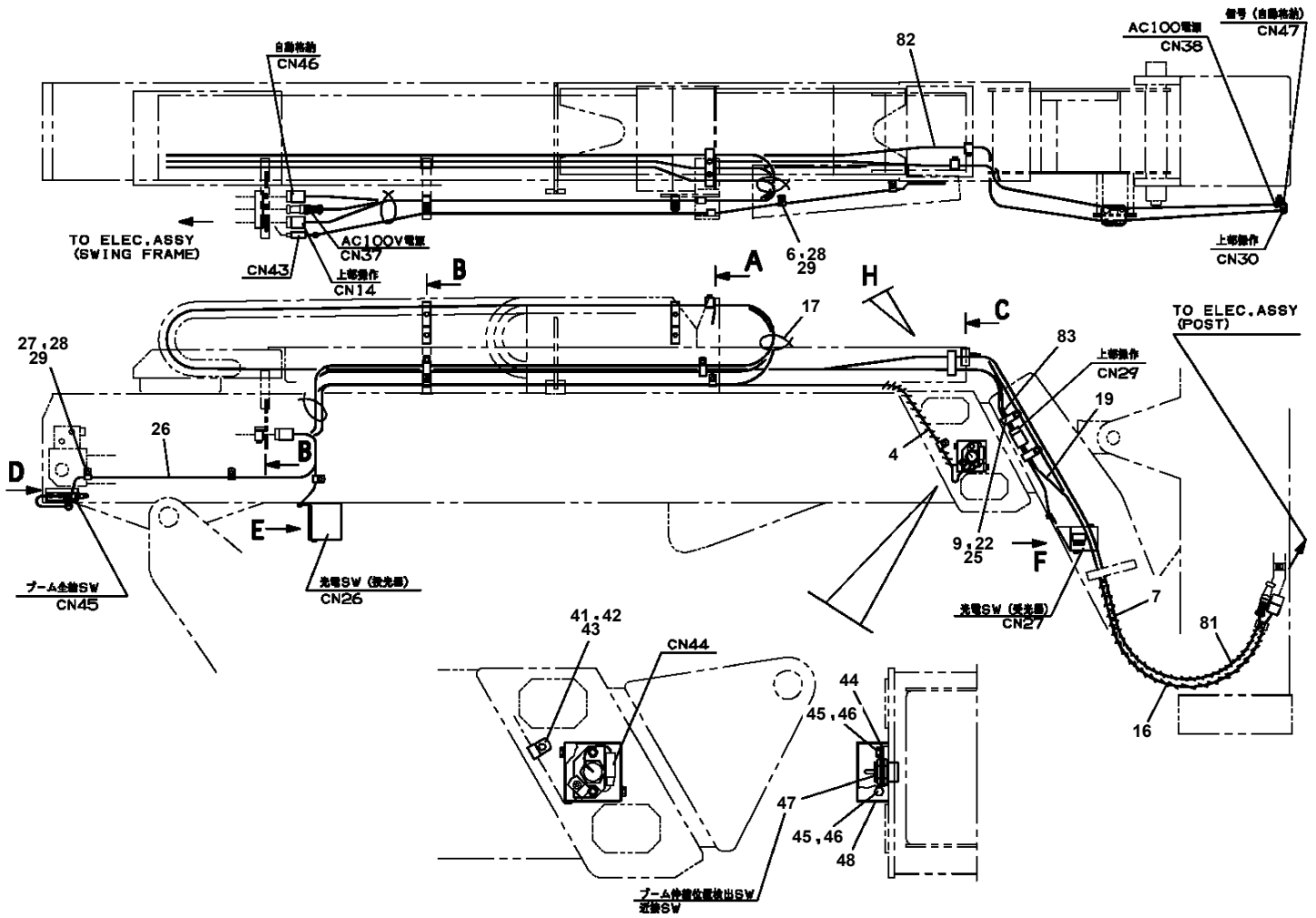
**BT-200-1-20101 UPPER,LOWER,MITSUBISHI KK-FE63ECY
PK1910002-02 PIPING (FRAME)**



BT-200-1-20101 UPPER,LOWER,MITSUBISHI KK-FE63ECY
 PL1100096-02 BOX,OPERATION



BT-200-1-20101 UPPER,LOWER,MITSUBISHI KK-FE63ECY
 PN1011730-03 ELEC.ASSY (BOOM)



BT-200-1-20101 UPPER,LOWER,MITSUBISHI KK-FE63ECY

| Pos No. | Parts No | Parts Name | Qty | Unit | Technical Data | Serial No (Start) | Serial No (End) | Remarks | Pages |
|---------|-------------|---------------|-----|------|----------------|-------------------|-----------------|---------|--------|
| 1 | 42353860300 | CABLE | 1 | | | | | | |
| 2 | 42353860201 | HARNESS | 1 | | | | | | 000082 |
| 3 | 82100002018 | CLAMP | 7 | | WR35 | | | | |
| 4 | 90201200800 | NUT | 7 | | M8 | | | | |
| 5 | 90302040801 | WASHER,SPRING | 10 | | 8 | | | | |
| 7 | 90302040601 | WASHER,SPRING | 3 | | 6 | | | | |
| 9 | 44350240100 | SWITCH ASSY | 1 | | | | | | 000172 |
| 10 | 90101206020 | BOLT | 3 | | M6X20 | | | | |
| 11 | 91810130240 | FASTENER | 2 | | | | | | |
| 12 | 90101208012 | BOLT | 3 | | M8X12 | | | | |
| 13 | 42353860010 | COVER | 1 | | | | | | |
| 14 | 82400000203 | GROMMET | 1 | | L=250 | | | | |

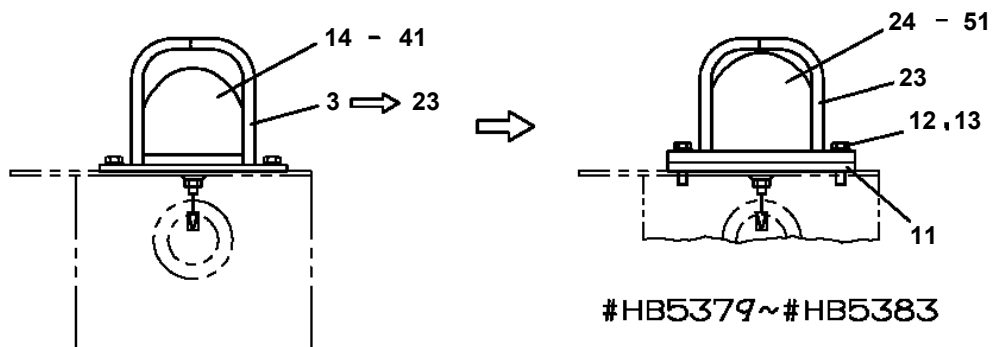
BT-200-1-20101 UPPER,LOWER,MITSUBISHI KK-FE63ECY

| Pos No. | Parts No | Parts Name | Qty | Unit | Technical Data | Serial No (Start) | Serial No (End) | R |
|---------|-------------|---------------|-----|------|----------------|-------------------|-----------------|---|
| 105 | 90201200500 | NUT | 12 | | M5 | | | |
| 106 | 90302040501 | WASHER,SPRING | 6 | | 5 | | | |
| 107 | 91810130240 | FASTENER | 5 | | | | | |
| 111 | 34351562510 | BOX,FUSE | 1 | | | | | |
| 121 | 80147310420 | RIVET | 8 | | 3.2X6 | | | |
| 122 | 82464110002 | HINGE | 1 | | | | | |
| 123 | 82400000349 | CATCH | 1 | | | | | |
| 131 | 42650999510 | COVER ASSY | 1 | | | | | |
| 135 | 82100005005 | LENS (GREEN) | 2 | | | | | |
| 141 | 42351044221 | PANEL | 1 | | | | | |
| 142 | 42354111210 | PLATE,NAME | 1 | | | | | |

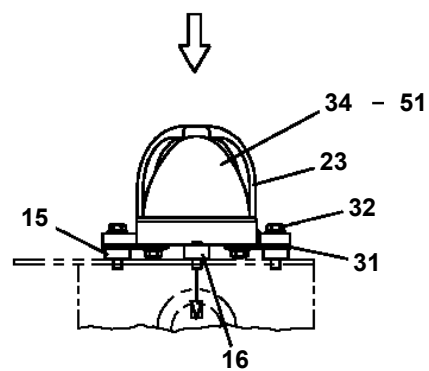
BT-200-1-20101 UPPER,LOWER,MITSUBISHI KK-FE63ECY

| Pos No. | Parts No | Parts Name | Qty | Unit | Technical Data | Serial No (Start) | Serial No (End) |
|---------|-------------|--------------------|-----|------|----------------|-------------------|-----------------|
| 87 | 90101204030 | BOLT | 2 | | M4X30 | | |
| 88 | 90302040401 | WASHER,SPRING | 14 | | 4 | | |
| 89 | 90303070401 | WASHER,PLAIN | 26 | | 4 | | |
| 90 | 90201200400 | NUT | 14 | | M4 | | |
| 92 | 82100001801 | TUBE,CORRUGATE | 4 | M | 7 | | |
| | 82100001801 | TUBE,CORRUGATE | 1 | M | 7 | HB5384 | |
| 102 | 90302040801 | WASHER,SPRING | 6 | | 8 | | |
| | 90302040801 | WASHER,SPRING | 7 | | 8 | | HB5349 |
| | 90302040801 | WASHER,SPRING | 8 | | 8 | HB5350 | |
| 103 | 80172304030 | SCREW,MACHINE | 12 | | M4X30 | | |
| 107 | 42650905100 | COVER | 3 | | | | |
| 108 | 82104501120 | SWITCH,LIMIT | 6 | | | | |
| 110 | 82100002006 | CLAMP | 8 | | WR10 | | |
| | 82100002006 | CLAMP | 1 | | WR10 | | HB5317 |
| | 82100002006 | CLAMP | 2 | | WR10 | HB5318 | |
| | 82100002006 | CLAMP | 1 | | WR10 | HB5384 | |
| 114 | 82100002037 | CLAMP | 2 | | WE10 | | |
| 152 | 90101208012 | BOLT | 6 | | M8X12 | | |
| 161 | 82100001811 | RELAY | 1 | | | | |
| 162 | 44430251210 | HARNESS | 1 | | L=140 | | |
| 163 | 82100001216 | CAP | 3 | | | | |
| 164 | 37002701990 | CABLE ASSY | 1 | | L=750 | | HB5341 |
| | 37002709440 | CABLE ASSY | 1 | | L=750 | HB5342 | |
| 165 | 37002705280 | CABLE ASSY | 1 | | L=500 | | |
| 166 | 42650906700 | HARNESS | 1 | | | | |
| 168 | 80182308014 | SCREW,MACHINE | 2 | | M8X14 | | |
| 169 | 90101208014 | BOLT | 4 | | M8X14 | | HB5349 |
| | 90101208014 | BOLT | 5 | | M8X14 | HB5350 | |
| 170 | 42650906600 | COVER | 1 | | | | HB5317 |
| | 42650906610 | COVER | 1 | | | HB5318 | |
| 171 | 90101206020 | BOLT | 1 | | M6X20 | | HB5341 |
| 172 | 90203200600 | NUT | 2 | | M6 | | HB5341 |
| 174 | 90101208025 | BOLT | 1 | | M8X25 | | |
| 175 | 90201200800 | NUT | 1 | | M8 | | |
| 178 | 82100001803 | TUBE,CORRUGATE | 1 | M | 13 | HB5293 | |
| 182 | 82400000201 | GROMMET | 1 | | KG-016 | | |
| 191 | 42650900511 | SUPPORT | 1 | | | | |
| 192 | 36140400001 | DETECTOR,ANGLE | 1 | | | | |
| 193 | 36140390002 | DETECTOR,ANGLE | 1 | | | | |
| 194 | 90101206016 | BOLT | 5 | | M6X16 | | |
| 201 | 42650551130 | LAMP ASSY (GREEN) | 2 | | | | |
| 202 | 82100002010 | CLAMP | 1 | | WR15 | | |
| 206 | 42652082100 | PANEL | 1 | | | | |
| 207 | 42650907300 | HARNESS | 1 | | | | |
| 209 | 42650551120 | LAMP ASSY (YELLOW) | 1 | | | | |
| 210 | 42801710200 | LAMP ASSY (RED) | 1 | | | | |
| 211 | 44320491020 | LAMP ASSY (GREEN) | 4 | | | | |
| 212 | 42650333900 | SWITCH ASSY | 1 | | | | |
| 231 | 82100005005 | LENS (GREEN) | 2 | | | | |
| 241 | 82198300505 | LENS (YELLOW) | 1 | | | | |
| 251 | 82100005004 | LENS (RED) | 1 | | | | |

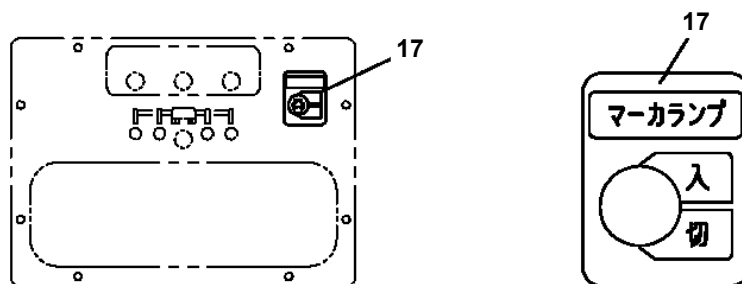
BT-200-1-20101 UPPER,LOWER,MITSUBISHI KK-FE63ECY
 PN1080142-03 LAMP (O/R:MARKER LAMP)



~#HB5378

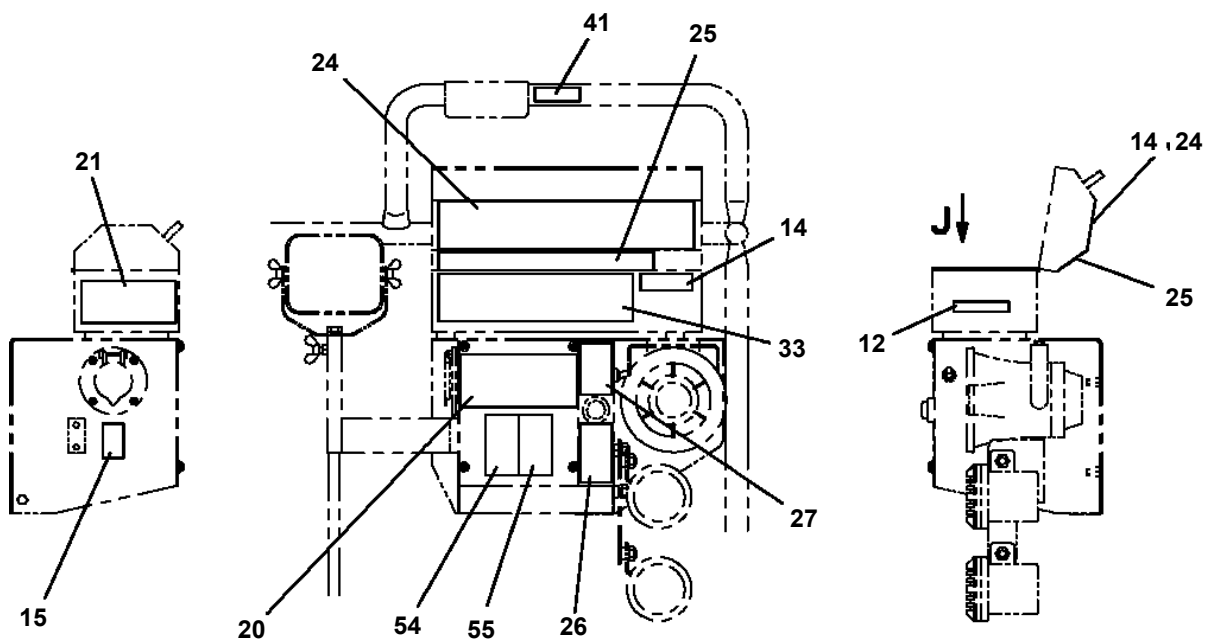


フロントアウトリガ (2ヶ所)

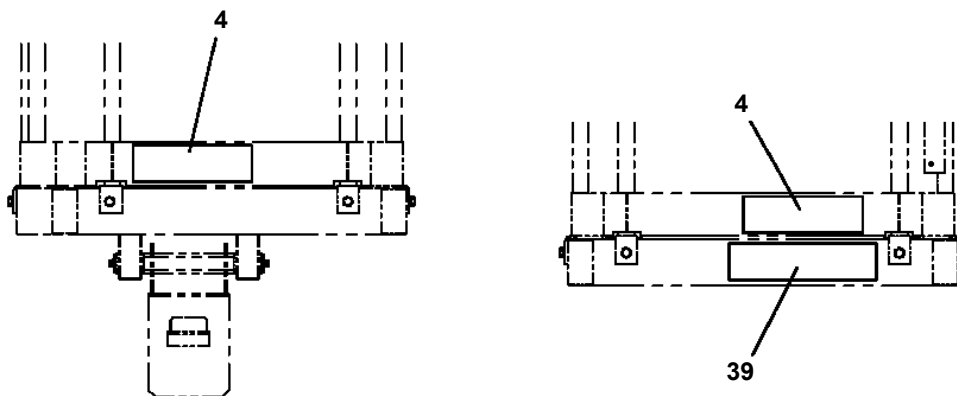


アウトリガ操作部

BT-200-1-20101 UPPER,LOWER,MITSUBISHI KK-FE63ECY
 PO1013424-03 PLATE ASSY,NAME (UPPER)



プラットホーム操作BOX

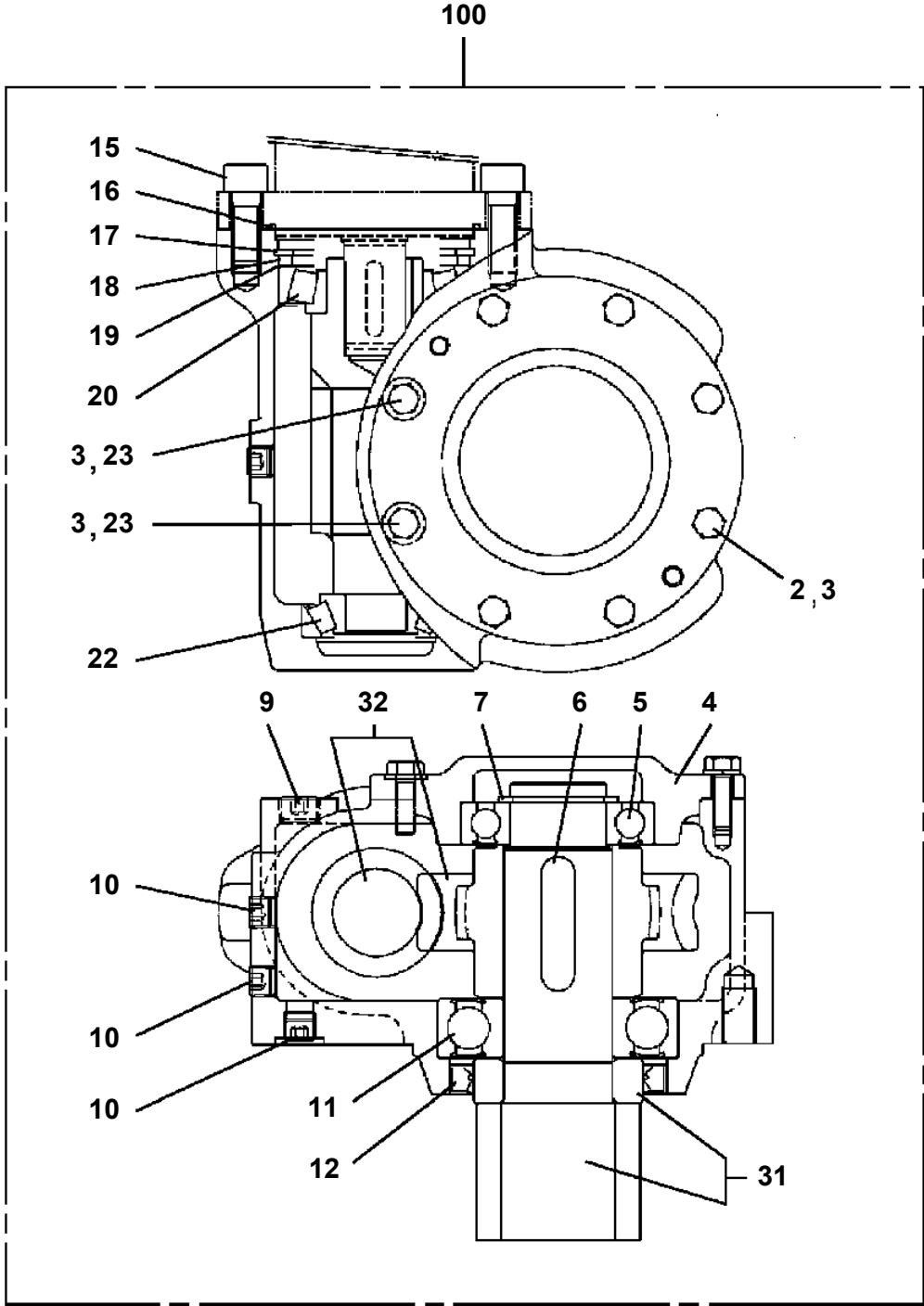


プラットホーム部

BT-200-1-20101 UPPER,LOWER,MITSUBISHI KK-FE63ECY

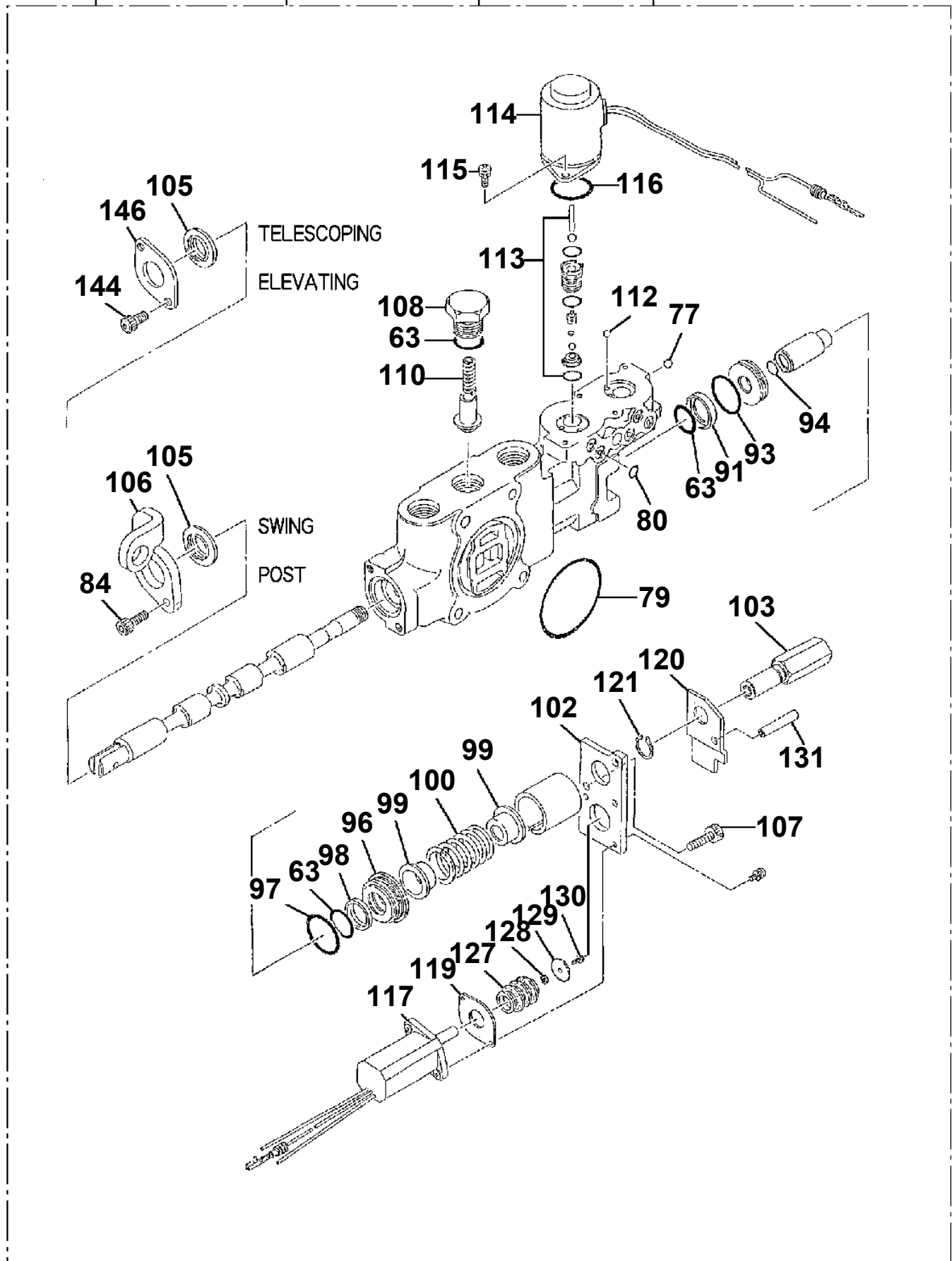
| Pos No. | Parts No | Parts Name | Qty | Unit | Technical Data | Serial No (Start) | Serial No (E |
|---------|-------------|----------------------------------|-----|------|----------------|-------------------|--------------|
| 1 | 37002201980 | PLATE,NAME | 2 | | | | |
| 2 | 42940170010 | PLATE,NAME | 1 | | | | HB5256 |
| 3 | 37002217330 | PLATE,CAUTION (TADANO HYDRAULIC) | 1 | | | | |
| 4 | 37002203600 | PLATE,NAME | 1 | | | | HB5256 |
| | 37002202120 | PLATE,NAME (HIGH/LOW) | 1 | | | HB5257 | |
| 5 | 42394191050 | PLATE,NAME | 1 | | | | |
| 6 | 42394191060 | PLATE,NAME | 1 | | | | |
| 7 | 42394191070 | PLATE,NAME | 1 | | | | |
| 8 | 42394191080 | PLATE,NAME | 1 | | | | |
| 9 | 42394191090 | PLATE,NAME | 1 | | | | |
| 10 | 12117140000 | PLATE,NAME (GREASE) | 3 | | | | |
| 11 | 42944110010 | PLATE,CAUTION | 1 | | | | |
| 12 | 42944110020 | PLATE,NAME | 1 | | | | |
| 13 | 42944110030 | PLATE,CAUTION | 1 | | | | |
| 14 | 42942080040 | PLATE,NAME | 1 | | | | |
| 15 | 42944110040 | PLATE,CAUTION | 1 | | | | |
| 16 | 42944110050 | PLATE,CAUTION | 1 | | | | |
| 17 | 42941420010 | PLATE,NAME (3.7M) | 1 | | | | |
| 18 | 42391220100 | PLATE,NAME (FUSE) | 1 | | | | |
| 19 | 42942080110 | PLATE,NAME (FUSE) | 1 | | | | HB5208 |
| | 42942830020 | PLATE,NAME (FUSE) | 1 | | | HB5209 | |
| 20 | 42944110060 | PLATE,CAUTION | 1 | | | | |
| 21 | 42942080150 | PLATE,CAUTION | 1 | | | | |
| 22 | 42942080160 | PLATE,CAUTION | 1 | | | | |
| 23 | 42942080170 | PLATE,CAUTION | 1 | | | | |
| 24 | 42942080180 | PLATE,CAUTION (PIN ROCK) | 4 | | | | |
| 25 | 42942080010 | PLATE,CAUTION | 1 | | | | |
| 26 | 42942960010 | PLATE,NAME | 1 | | | | |
| 27 | 42942080200 | REFLECTOR | 2 | | | | |
| 28 | 42942080220 | PLATE,NAME | 1 | | | | |
| 29 | 42392330150 | PLATE,CAUTION | 1 | | | | |
| 30 | 42942080230 | PLATE,NAME | 1 | | | | |
| 31 | 34393926560 | PLATE (NON-SLIP) | 1 | | | | |
| 32 | 42944610020 | PLATE,CAUTION | 1 | | | HB5257 | |

**BT-200-1-20101 UPPER,LOWER,MITSUBISHI KK-FE63ECY
PS5290008-00 SPEED REDUCER ASSY (SWING)**



**BT-200-1-20101 UPPER,LOWER,MITSUBISHI KK-FE63ECY
PV1020116-03 VALVE,REMOTE CONTROL**

2 SWING 3 TELESCOPING 4 ELEVATING 5 POST



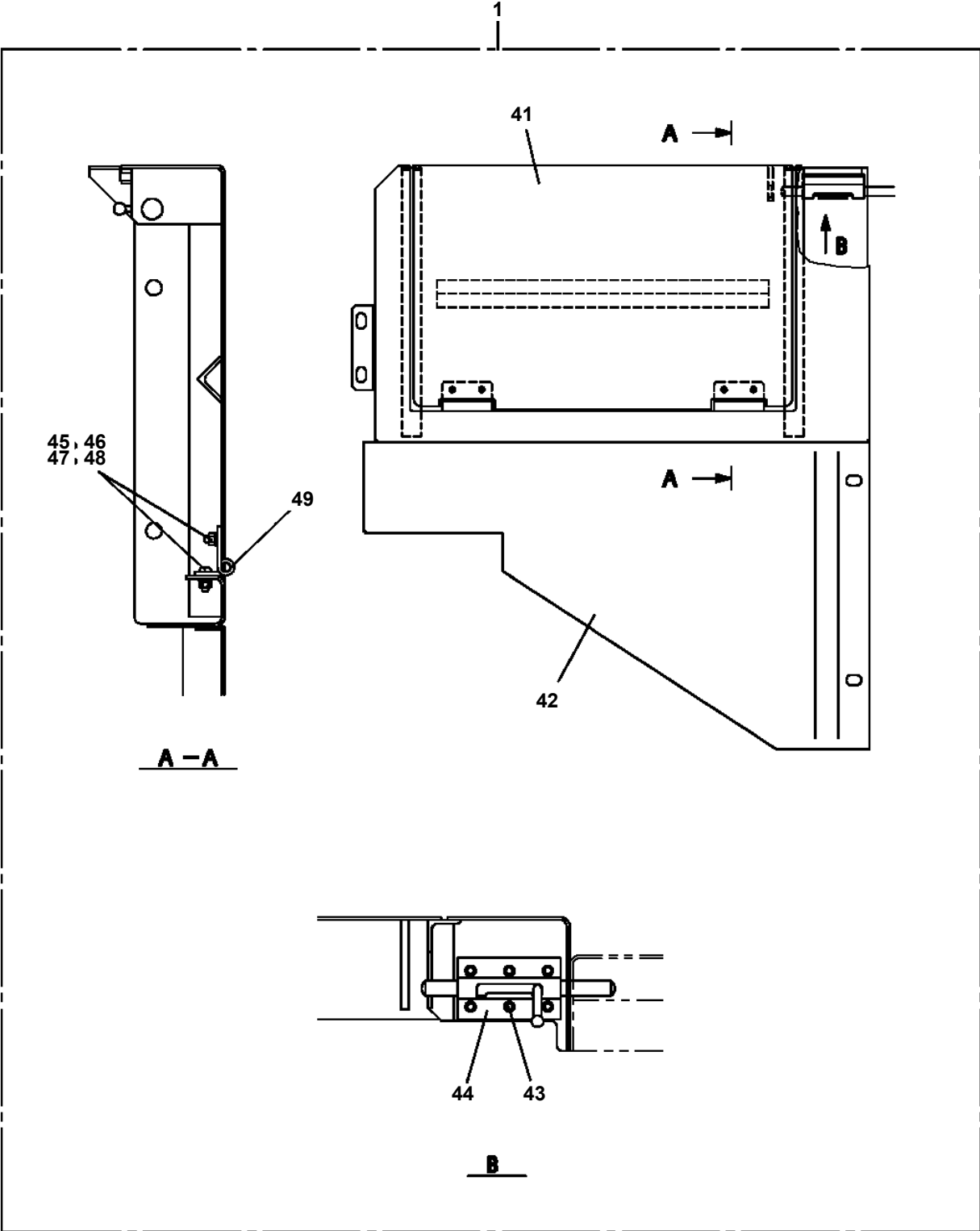
BT-200-1-20101 UPPER,LOWER,MITSUBISHI KK-FE63ECY

| Pos No. | Parts No | Parts Name | Qty | Unit | Technical Data | Serial No (Start) | Serial No (End) | Re |
|---------|-------------|----------------------------|-----|------|----------------|-------------------|-----------------|----|
| 1 | 42351041301 | BOARD,CIRCUIT (RC) | 1 | | | | | |
| 2 | 42650787520 | BOARD ASSY | 1 | | | | | |
| 3 | 36119005010 | BOARD,CIRCUIT (VO) | 1 | | | | | |
| 4 | 42351047530 | HARNESS ASSY (24PF) | 1 | | | | | |
| 5 | 42351047540 | HARNESS ASSY (24PM) | 1 | | | | | |
| 6 | 42351047550 | HARNESS ASSY (37PM) | 1 | | | | | |
| 7 | 42351047560 | HARNESS ASSY (8P) | 2 | | | | | |
| 8 | 42351047570 | HARNESS ASSY (10P) | 1 | | | | | |
| 9 | 42351047580 | HARNESS ASSY (BOARD) | 1 | | | | | |
| 10 | 42351047590 | CASE (CONTROLLER) | 1 | | | | | |
| 11 | 42650787570 | COVER (CONTROLLER) | 1 | | | | | |
| 12 | 42650787590 | COVER (A) | 1 | | | | | |
| 13 | 42650787600 | COVER (B) | 1 | | | | | |
| 14 | 42351047600 | COVER (37) | 1 | | | | | |
| 15 | 42650787580 | ANGLE | 3 | | | | | |
| 16 | 42351047610 | ANGLE | 2 | | | | | |
| 17 | 36800125050 | SPACER | 2 | | | | | |
| 18 | 42650787610 | PLATE (SIGHT) | 1 | | | | | |
| 19 | 36800017510 | PACKING | 1 | | | | | |
| 20 | 42650787620 | PACKING | 2 | | | | | |
| 22 | 42930727560 | PLATE,CAUTION | 1 | | | | | |
| 23 | 42930727570 | PLATE,CAUTION | 1 | | | | | |
| 29 | 90131504010 | BOLT,HEXAGON SOCKET | 14 | | M4X10 | | | |
| 30 | 90302040401 | WASHER,SPRING | 14 | | 4 | | | |
| 41 | (*****) | P-ROM | 1 | | | | | |
| 42 | (*****) | P-ROM | 1 | | | | | |
| 100 | 36119000000 | CONTROL BOX (KOREAN VOICE) | 1 | | | | | |

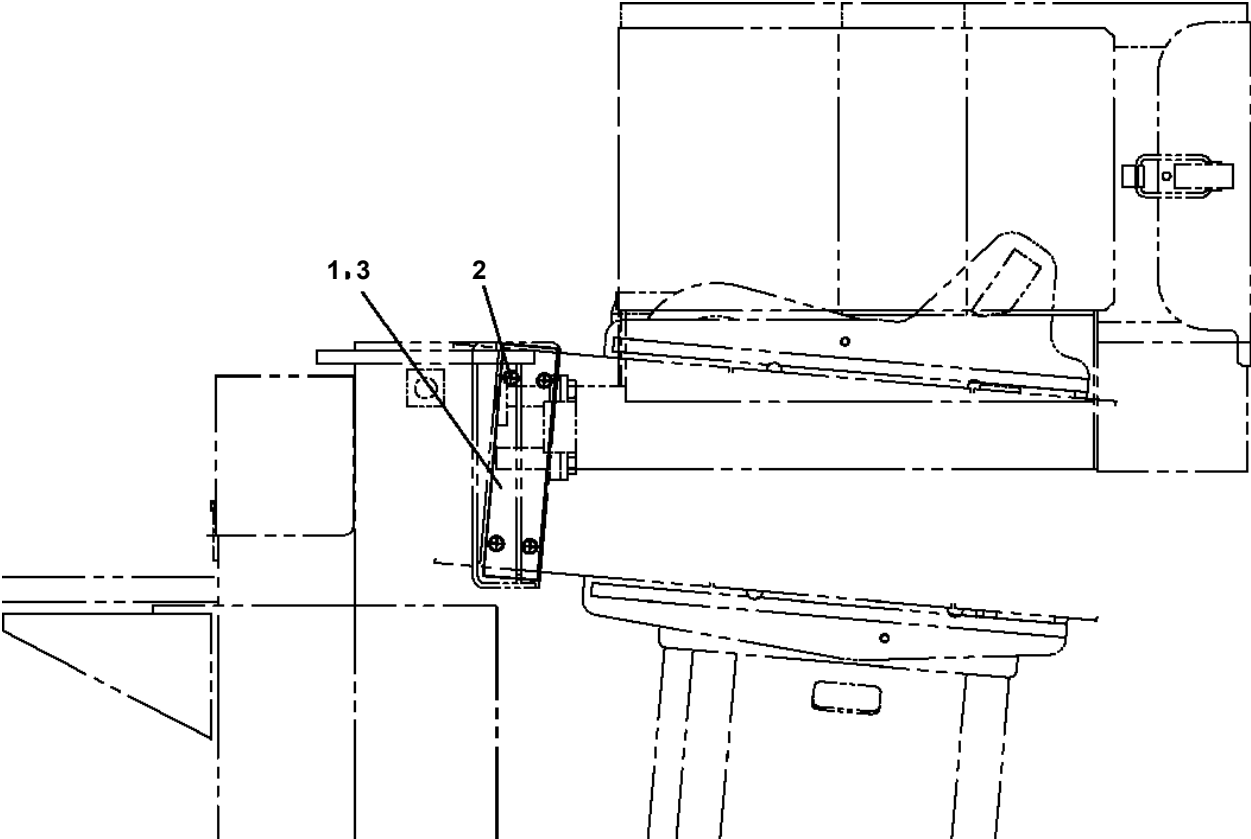
BT-200-1-20101 UPPER,LOWER,MITSUBISHI KK-FE63ECY

| Pos No. | Parts No | Parts Name | Qty | Unit | Technical Data | Serial No (Start) | Serial No (End) | Rem |
|---------|-------------|-------------------------|-----|------|----------------|-------------------|-----------------|-----|
| 1 | 42460015010 | BAG,TOOL | 1 | | | | | |
| 2 | 91991310024 | SPANNER | 1 | | 24 | | | |
| 3 | 91991441311 | SPANNER | 1 | | 13X11 | | | |
| 6 | 91991510003 | HEXAGON BARWRENCH (G3) | 1 | | | | | |
| 7 | 91991510005 | HEXAGON BARWRENCH (G5) | 1 | | | | | |
| 8 | 91991510006 | HEXAGON BARWRENCH (G6) | 1 | | | | | |
| 9 | 91991510008 | HEXAGON BARWRENCH (G8) | 1 | | | | | |
| 10 | 91991510010 | HEXAGON BARWRENCH (G10) | 1 | | | | | |
| 11 | 91991510004 | HEXAGON BARWRENCH (G4) | 1 | | | | | |
| 50 | 42460015001 | TOOLS | 1 | | | | | |

BT-200-1-20101 UPPER,LOWER,MITSUBISHI KK-FE63ECY
PX1030426-00 FENDER

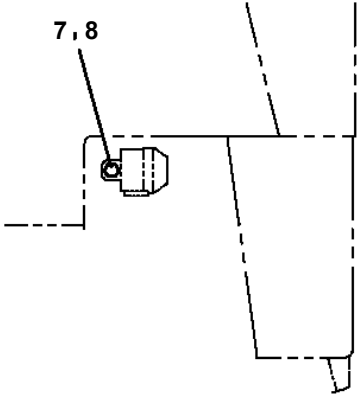
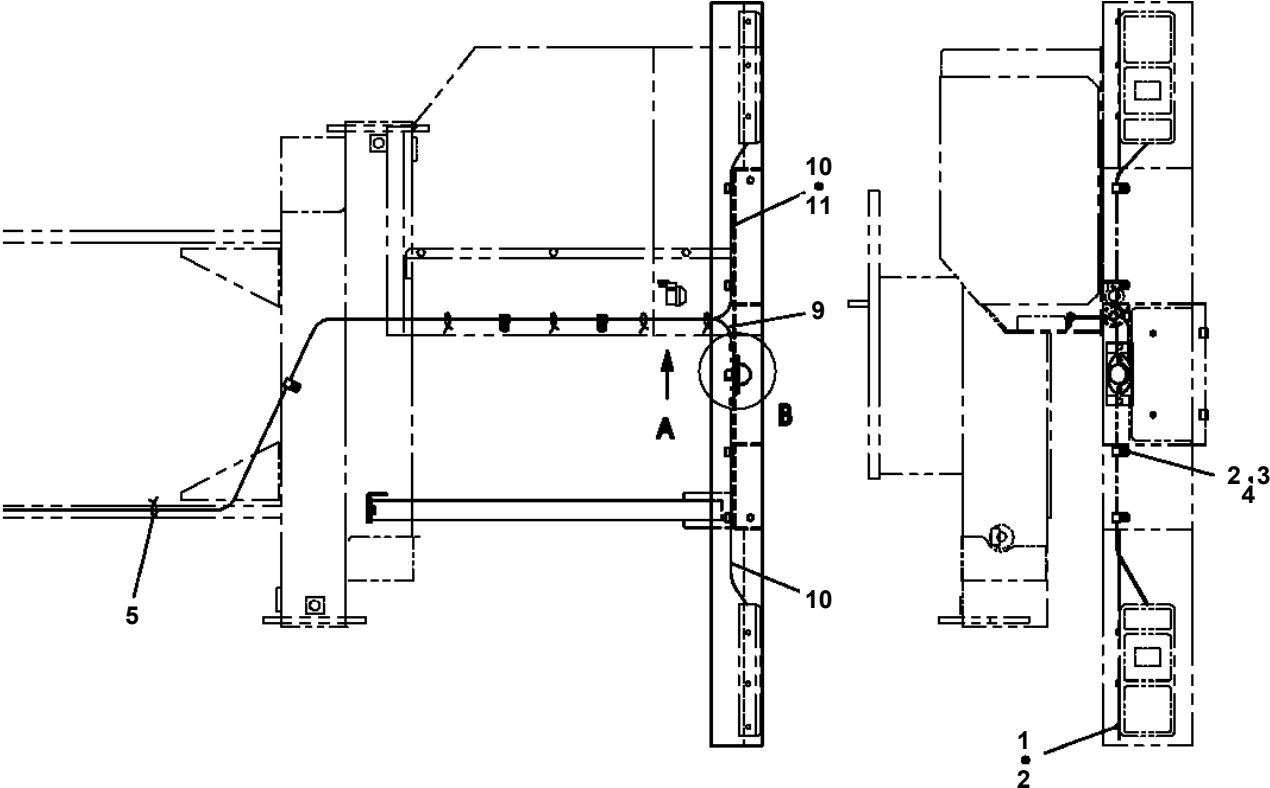


**BT-200-1-20101 UPPER,LOWER,MITSUBISHI KK-FE63ECY
PX1120409-00 BOOM REST (LOWER BOOM)**

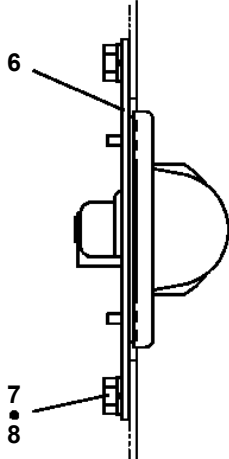


←
FRONT

**BT-200-1-20101 UPPER,LOWER,MITSUBISHI KK-FE63ECY
PX1310042-01 MOUNT,LAMP (TAIL)**



A



B

BT-200-1-20101 UPPER,LOWER,MITSUBISHI KK-FE63ECY

| Pos No. | Parts No | Parts Name | Qty | Unit | Technical Data | Serial No (Start) | Serial No (End) | Remarks |
|---------|-------------|-----------------------|-----|------|----------------|-------------------|-----------------|---------|
| 1 | 42805790001 | GENERATOR ASSY | 1 | | | | HB5218 | |
| | 42808030000 | GENERATOR ASSY | 1 | | | HB5219 | | |
| 2 | 42476101000 | COVER ASSY | 1 | | | | | |
| 3 | 42893730300 | PLATE | 4 | | | | | |
| 4 | 90101210020 | BOLT | 8 | | M10X20 | | | |
| 5 | 90302041001 | WASHER,SPRING | 8 | | 10 | | | |
| 6 | 42478770600 | SUPPORT | 1 | | | | | |
| 8 | 82401601002 | CLAMP | 2 | | | | | |
| 9 | 91810130250 | FASTENER | 2 | | | | | |
| 10 | 42478770400 | CABLE | 1 | | | | | |
| 11 | 82100002012 | CLAMP | 5 | | WR18 | | | |
| 12 | 90201200600 | NUT | 5 | | M6 | | | |
| 13 | 90302040601 | WASHER,SPRING | 5 | | 6 | | | |
| 14 | 80147350640 | RIVET | 5 | | | | | |
| 15 | 42392330160 | PLATE,NAME | 1 | | | | | |
| 16 | 42475730010 | HARNESS | 1 | | L=700 | | | |
| 17 | 90302041201 | WASHER,SPRING | 4 | | 12 | | | |
| 18 | 82100002016 | CLAMP | 1 | | WR25 | | | |
| 19 | 42476100020 | PLATE,NAME | 1 | | | | | |
| 20 | 42478770500 | PIPE | 1 | | | | | |
| 21 | 90171112025 | BOLT | 4 | | M12X25 | | HB5215 | |
| | 90171112030 | BOLT | 4 | | M12X30 | HB5216 | | |
| 22 | 37000517380 | PLATE | 2 | | T=2.3 TO 3.2 | HB5216 | | |
| 41 | 42476101100 | COVER | 1 | | | | | |
| 42 | 42476101200 | COVER | 1 | | | | | |
| 43 | 82464110004 | HINGE | 2 | | | | | |
| 44 | 82466105102 | CATCH | 2 | | | | | |
| 45 | 80175803010 | SCREW,MACHINE | 8 | | M3X8 | | | |
| 46 | 90302510301 | WASHER,SPRING (SUS 3) | 16 | | | | | |
| 47 | 90201500300 | NUT | 16 | | M3 | | | |
| 48 | 80171803010 | SCREW,MACHINE | 8 | | M3X10 | | | |

BT-200-1-20101 UPPER,LOWER,MITSUBISHI KK-FE63ECY

| Pos No. | Parts No | Parts Name | Qty | Unit | Technical Data | Serial No (Start) | Serial No |
|---------|-------------|-------------------------------------|-----|------|----------------|-------------------|-----------|
| 2 | 90813108016 | BOLT,WING | 1 | | M8X16 | | |
| 3 | 42433560100 | SUPPORT | 1 | | | | |
| 4 | 90101206012 | BOLT | 1 | | M6X12 | | |
| 5 | 90302040601 | WASHER,SPRING | 1 | | 6 | | |
| 6 | 82100002004 | CLAMP | 1 | | WR8 | | |
| 7 | 90101508018 | BOLT | 2 | | M8X18 | HB5406 | HB5405 |
| | 90101208018 | BOLT | 2 | | M8X18 | | |
| 8 | 90302040801 | WASHER,SPRING | 2 | | 8 | | |
| 10 | 42474530100 | LAMP ASSY | 1 | | | | |
| 21 | 82165904020 | LAMP | 1 | | 24V 60W | | |
| 22 | 90101212020 | BOLT | 1 | | M12X20 | | |
| 23 | 90302041201 | WASHER,SPRING | 1 | | 12 | | |
| 24 | 37000159530 | PIN | 1 | | | | |
| 25 | 80620210160 | PIN,SNAP | 1 | | | | |
| 30 | 82100000054 | BULB,LAMP | 1 | | 24V 60W | | |
| 36 | 82100002838 | SWITCH ASSY (WITH HARNESS,TERMINAL) | 1 | | | | |

CLICK HERE TO **DOWNLOAD** THE COMPLETE MANUAL

- Thank you very much for reading the preview of the manual.
- You can download the complete manual from: www.heydownloads.com by clicking the link below



- Please note: If there is no response to CLICKING the link, please download this PDF first and then click on it.

CLICK HERE TO **DOWNLOAD** THE COMPLETE MANUAL