

## **BT-100-1-00003 UPPER**

**PB1000337-03 HYDRAULIC PRESSURE GENERATING SYSTEM**

**PD1000318-02 SWING SYSTEM**

**PE1000317-02 ELEVATING SYSTEM**

**PG1000292-02 TELESCOPING SYSTEM**

**PJ3000066-02 PLATFORM SYSTEM**

**PK1000328-00 FRAME**

**PL1000328-03 CONTROL DEVICES**

**PN1000241-03 ELECTRIC EQUIPMENT**

**PO1000131-03 INDICATION PLATES**

**PW1000028-00 ACCESSORIES & TOOLS**

**PX1000345-02 MOUNTING PARTS**

**PY1001006-00 OPTIONS**

**ASSEMBLY**

CLICK HERE TO **DOWNLOAD** THE COMPLETE MANUAL

- Thank you very much for reading the preview of the manual.
- You can download the complete manual from: [www.heydownloads.com](http://www.heydownloads.com) by clicking the link below



- Please note: If there is no response to CLICKING the link, please download this PDF first and then click on it.

CLICK HERE TO **DOWNLOAD** THE COMPLETE MANUAL

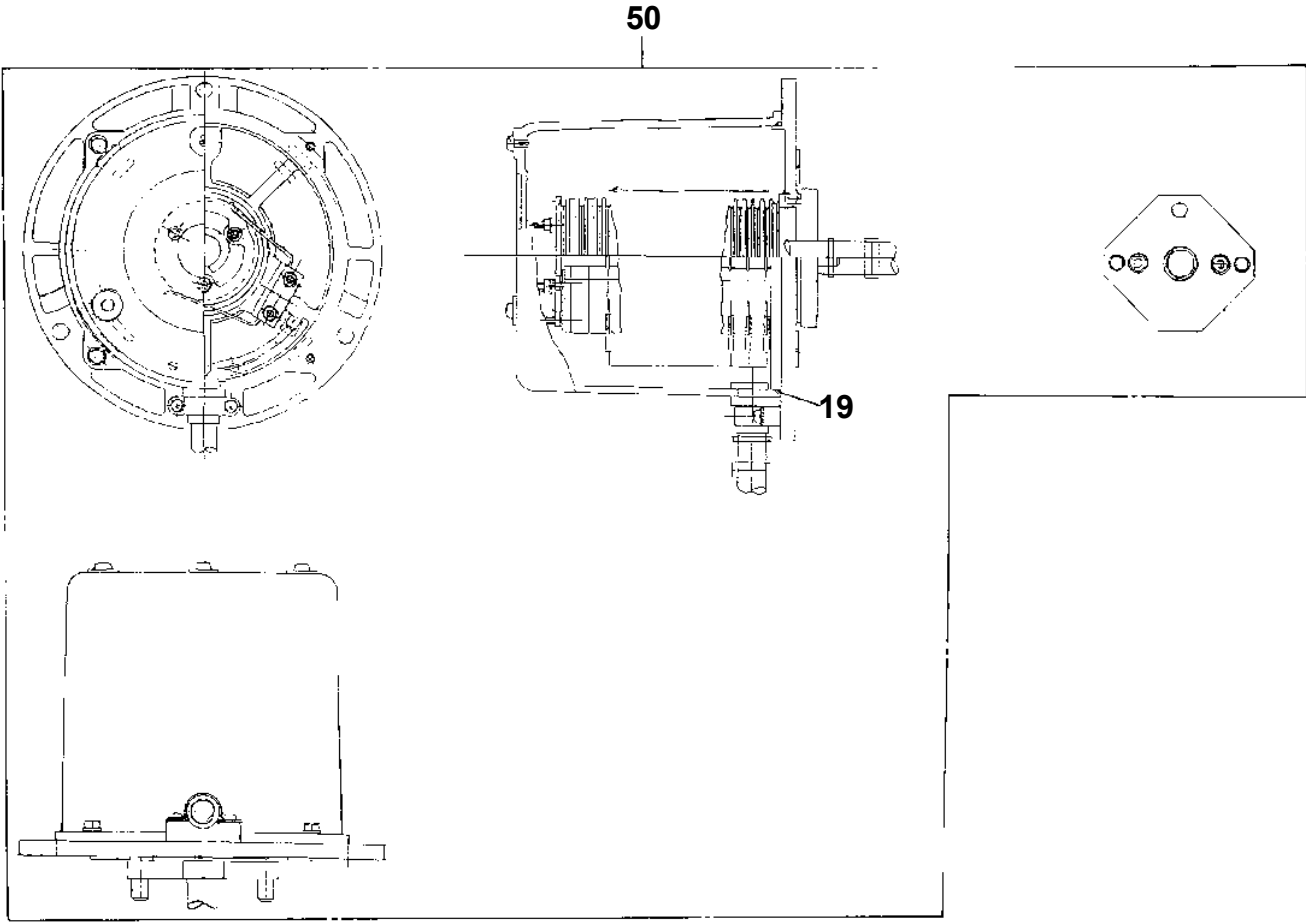
## BT-100-1-00003 UPPER

Pos No.	Parts No	Parts Name	Qty	Unit	Technical Data	Serial No (Start)	Serial No (End)
1	(*****)	PLATFORM	1				
2	(*****)	PIPING,BOOM (1)	1				
3	(*****)	PIPING,BOOM (2)	1				
4	(*****)	PIPING,PLATFORM	1				
7	(*****)	CYLINDER,SLIDE FLOOR (MOUNT)	1				
8	(*****)	REDUCER,PLATFORM SWING SPEED	1				

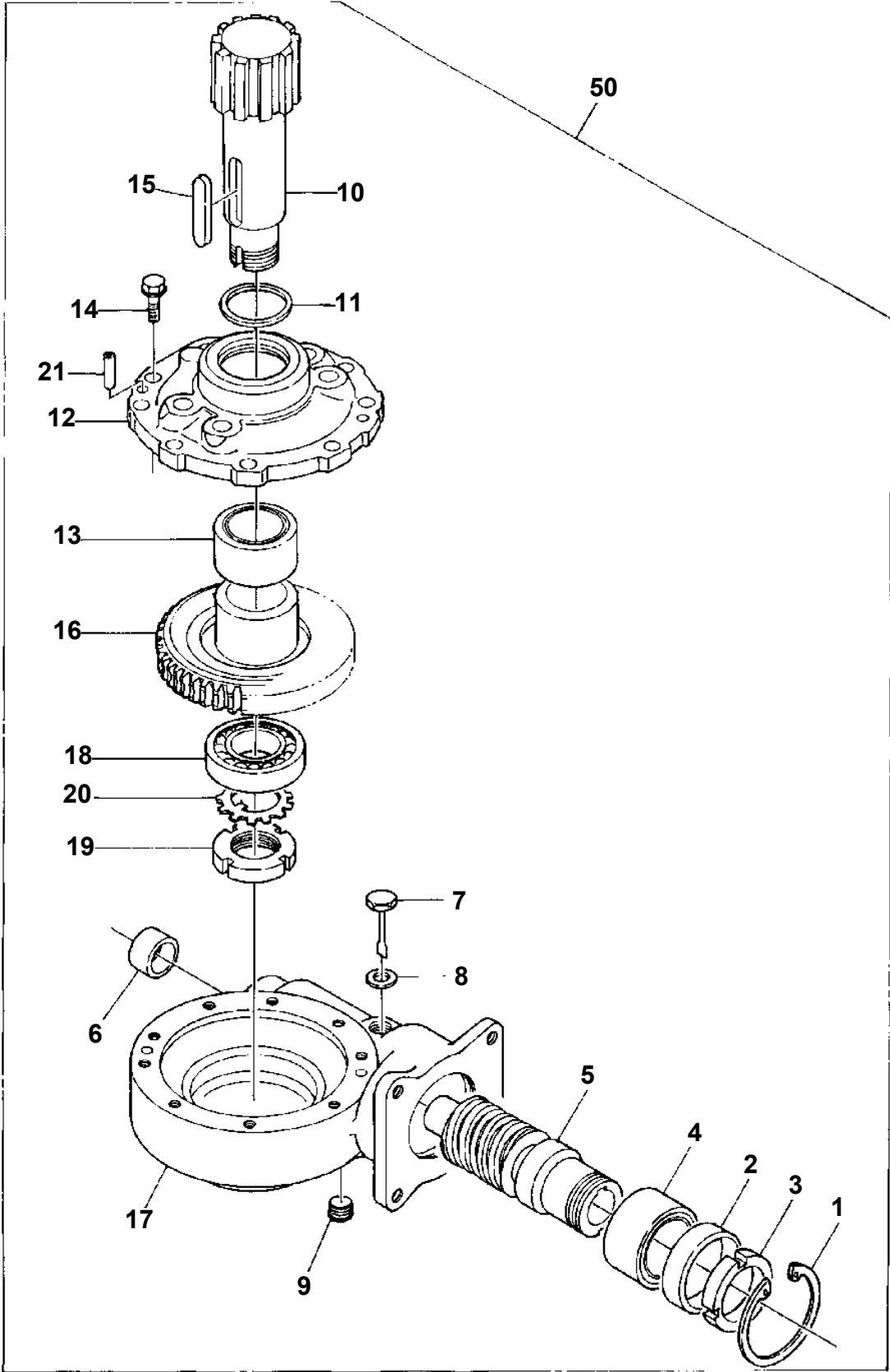
# BT-100-1-00003 UPPER

Pos No.	Parts No	Parts Name	Qty	Unit	Technical Data	Serial No (Start)	Serial No (End)	Remarks	Pages
1	(***** 42460015001	ACCESSORIES	1						000106
2		TOOLS	1						000107

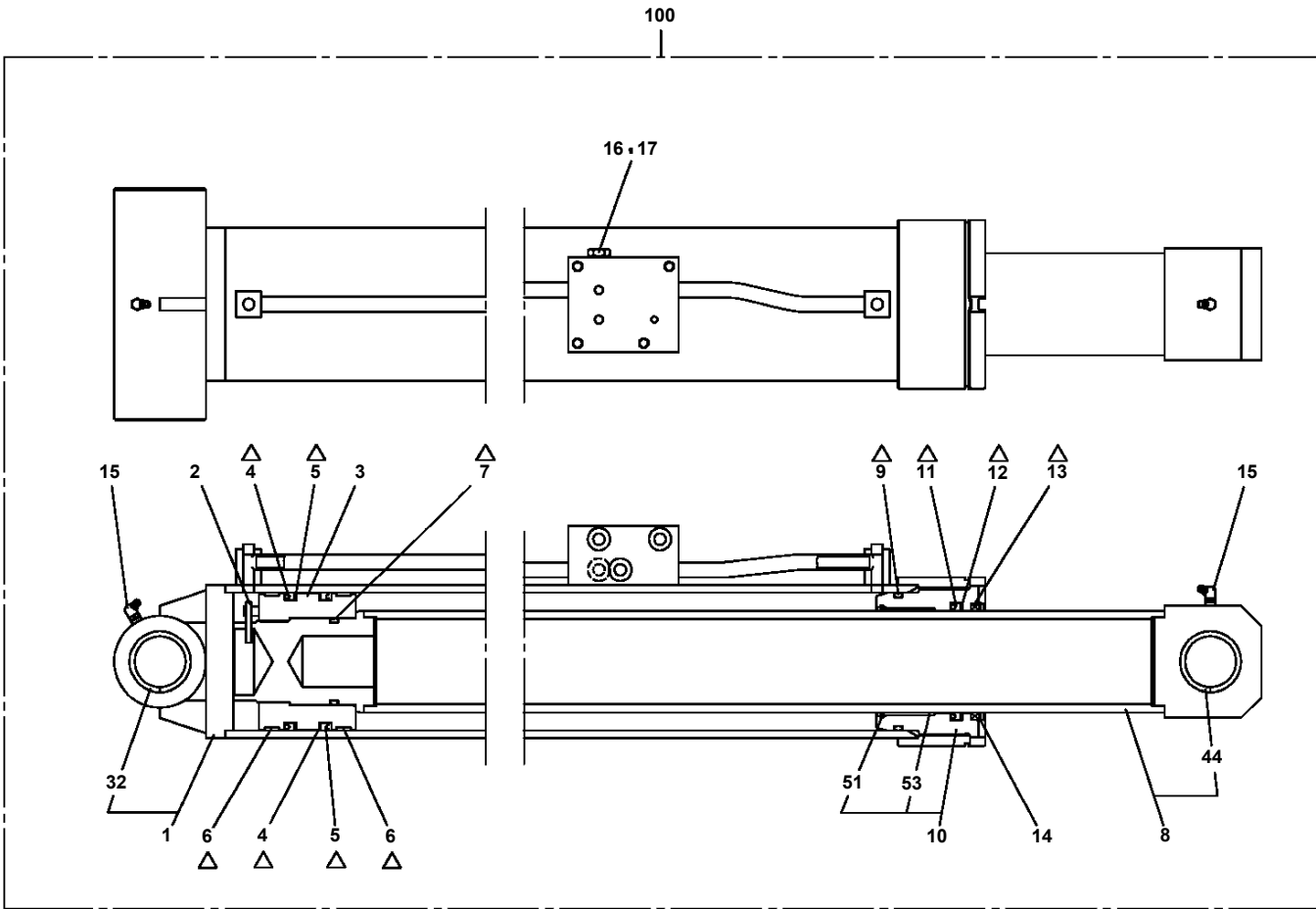
**BT-100-1-00003 UPPER**  
**PB1310008-00 BRUSH,ROTARY JOINT**



**BT-100-1-00003 UPPER  
PD1010097-00 REDUCER, SWING SPEED**



**BT-100-1-00003 UPPER  
PE1010523-00 CYLINDER,ELEVATING**

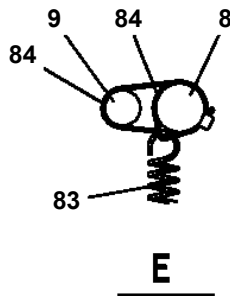
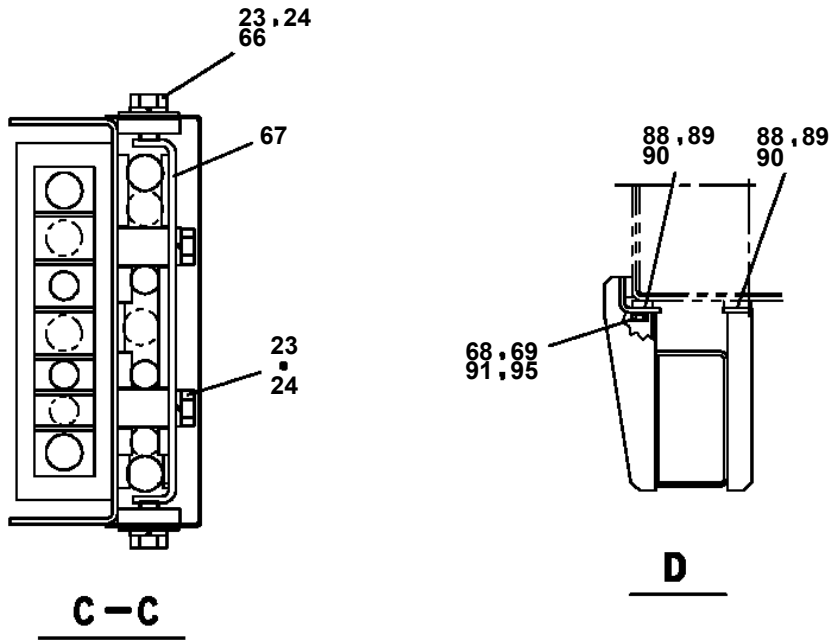
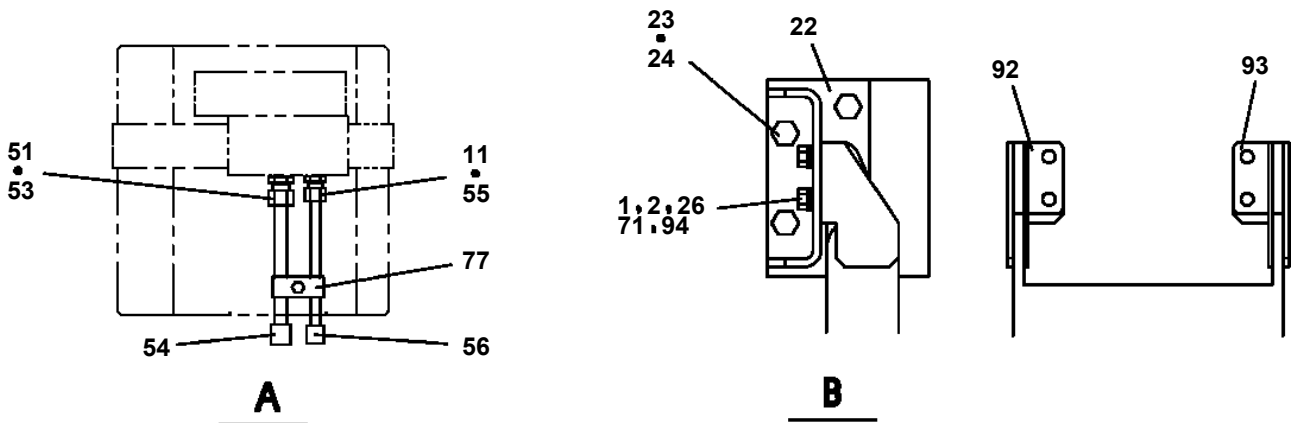


Δ:PACKING SET KEY NO.61 (KEY NO.4,5,6,7,9,11,12,13)

# BT-100-1-00003 UPPER

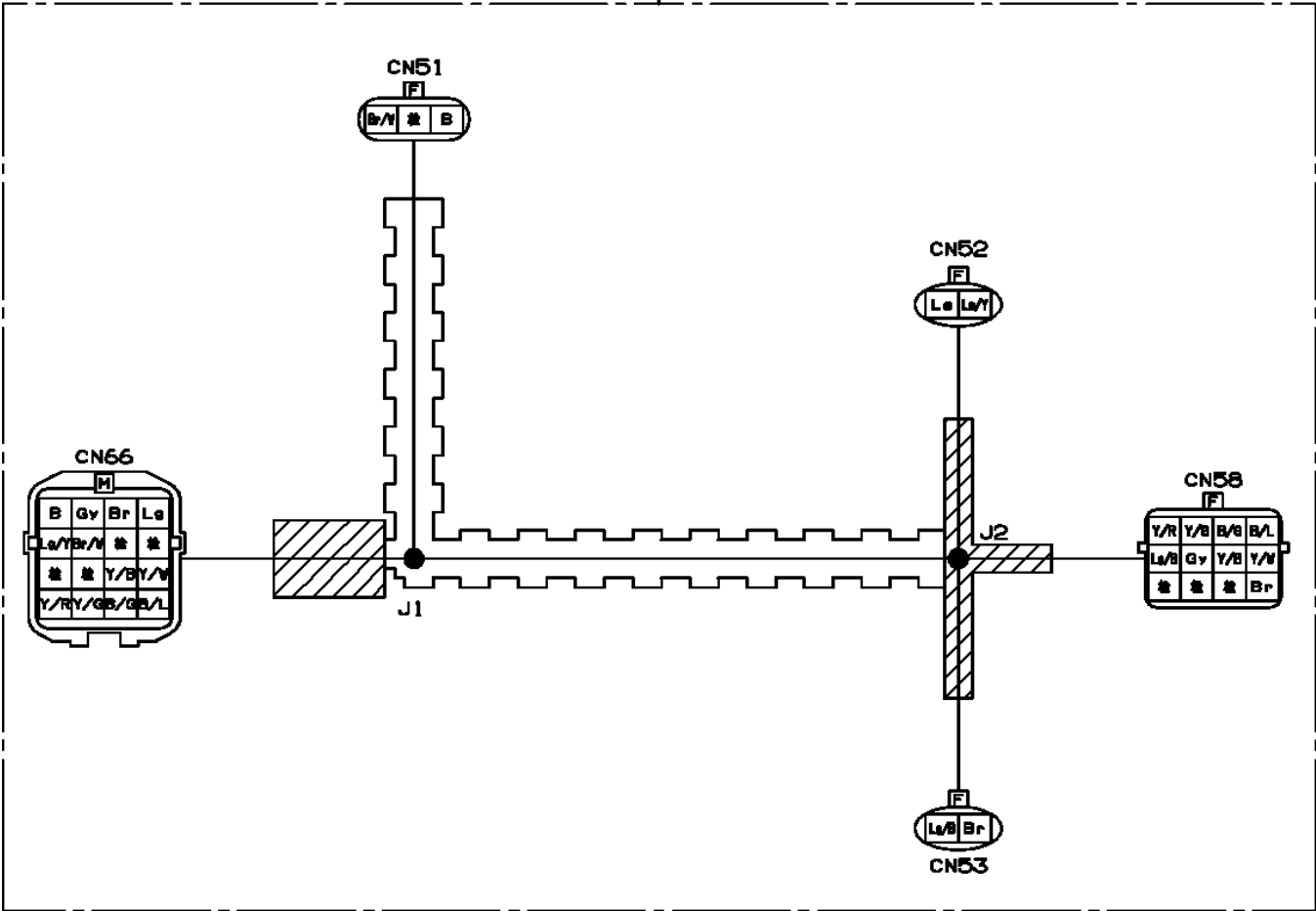
Pos No.	Parts No	Parts Name	Qty	Unit	Technical Data	Serial No (Start)	Serial No (End)	Re
1	36015085100	CYLINDER	1					
2	36015085200	ROD (1)	1					
3	36015085301	ROD (2)	1					
4	36015085400	PISTON (1)	1				HB5238	
	36015085401	PISTON (1)	1			HB5239		
5	36015085500	PISTON (2)	1				HB5238	
	36015085501	PISTON (2)	1			HB5239		
6	36015085600	COVER,ROD (1)	1				HB5238	
	36015085601	COVER,ROD (1)	1			HB5239		
7	36015085700	COVER,ROD (2)	1				HB5238	
	36015085701	COVER,ROD (2)	1			HB5239		
8	36015085800	NUT (1)	1					
9	36015085900	NUT (2)	1					
10	91684009500	PACKING	2					
11	91411208002	RING,BACKUP	2				HB5238	
	91431208002	RING,BACKUP	2			HB5239		
12	91302209500	BEARING,PLAIN	2					
13	91002906000	O-RING	1		1B G60			
14	91684006500	PACKING	2					
15	91411205501	RING,BACKUP	2				HB5238	
	91431205501	RING,BACKUP	2			HB5239		
16	91302206500	BEARING,PLAIN	2					
17	91002903500	O-RING	1		1B G35			
18	91002910000	O-RING	1		1B G100			
19	91301108500	BEARING,PLAIN	2					
20	91694008500	PACKING	1					
21	91410208500	RING,BACKUP	1				HB5238	
	91430208500	RING,BACKUP	1			HB5239		
22	91660008501	SEAL,DUST	1					
23	91301105000	BEARING,PLAIN	2					
24	91002906500	O-RING	1		1B G65			
25	91694005000	PACKING	1					
26	91410205001	RING,BACKUP	1				HB5238	
	91430205001	RING,BACKUP	1			HB5239		
27	91660005001	SEAL,DUST	1					
32	91410110000	RING,BACKUP	1					
33	91410106500	RING,BACKUP	1					
41	36015419900	PACKING SET	1				HB5238	
	36015419901	PACKING SET	1		85X95	HB5239		
42	36015419910	PACKING SET	1				HB5238	
	36015419911	PACKING SET	1		50X65	HB5239		
50	36015080001	CYLINDER,TELESCOPING (NO.1)	1					

**BT-100-1-00003 UPPER  
PG1200114-03 PIPING,TELESCOPING (POST)**



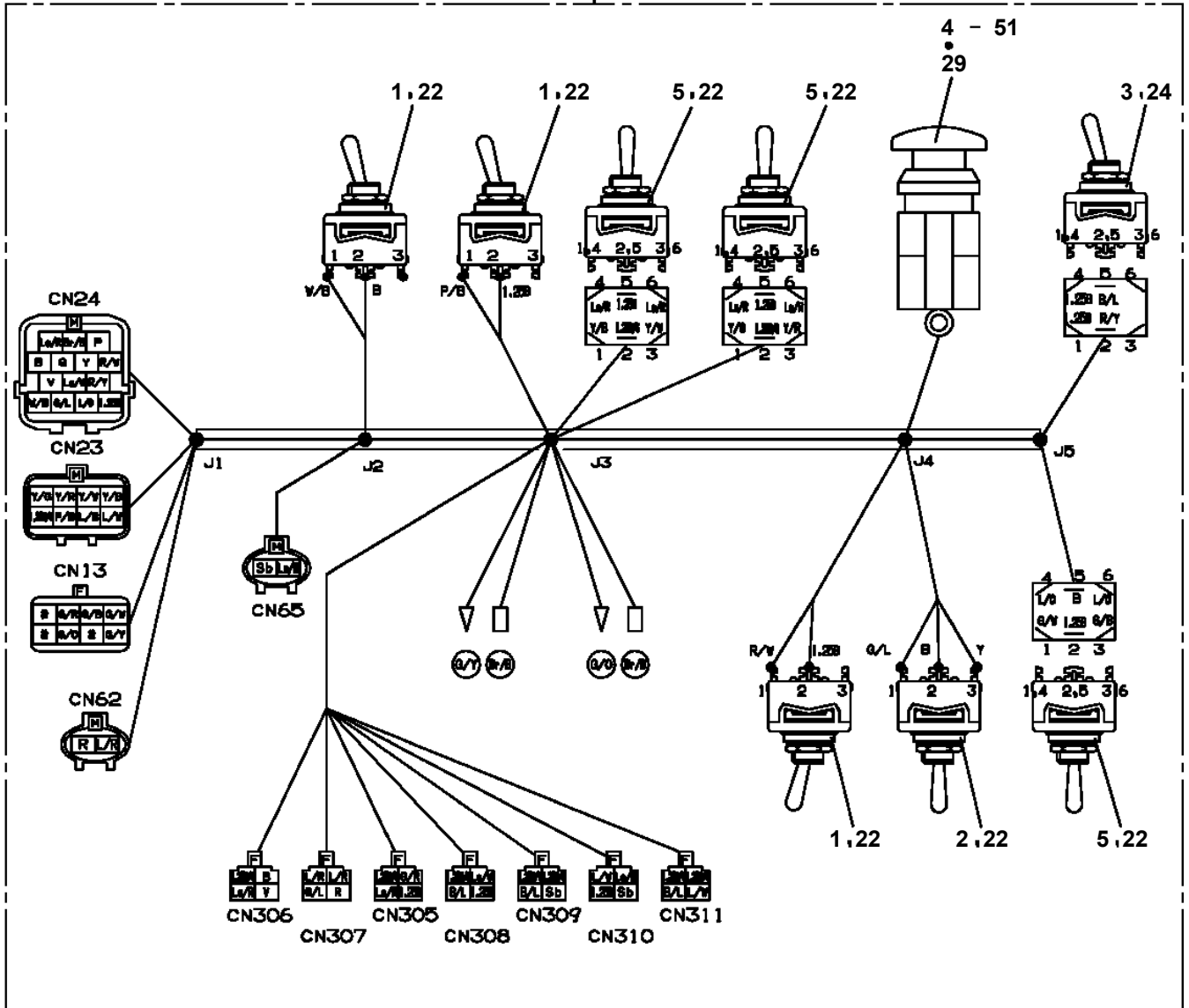
BT-100-1-00003 UPPER  
PH5031189-00 HARNESS

1



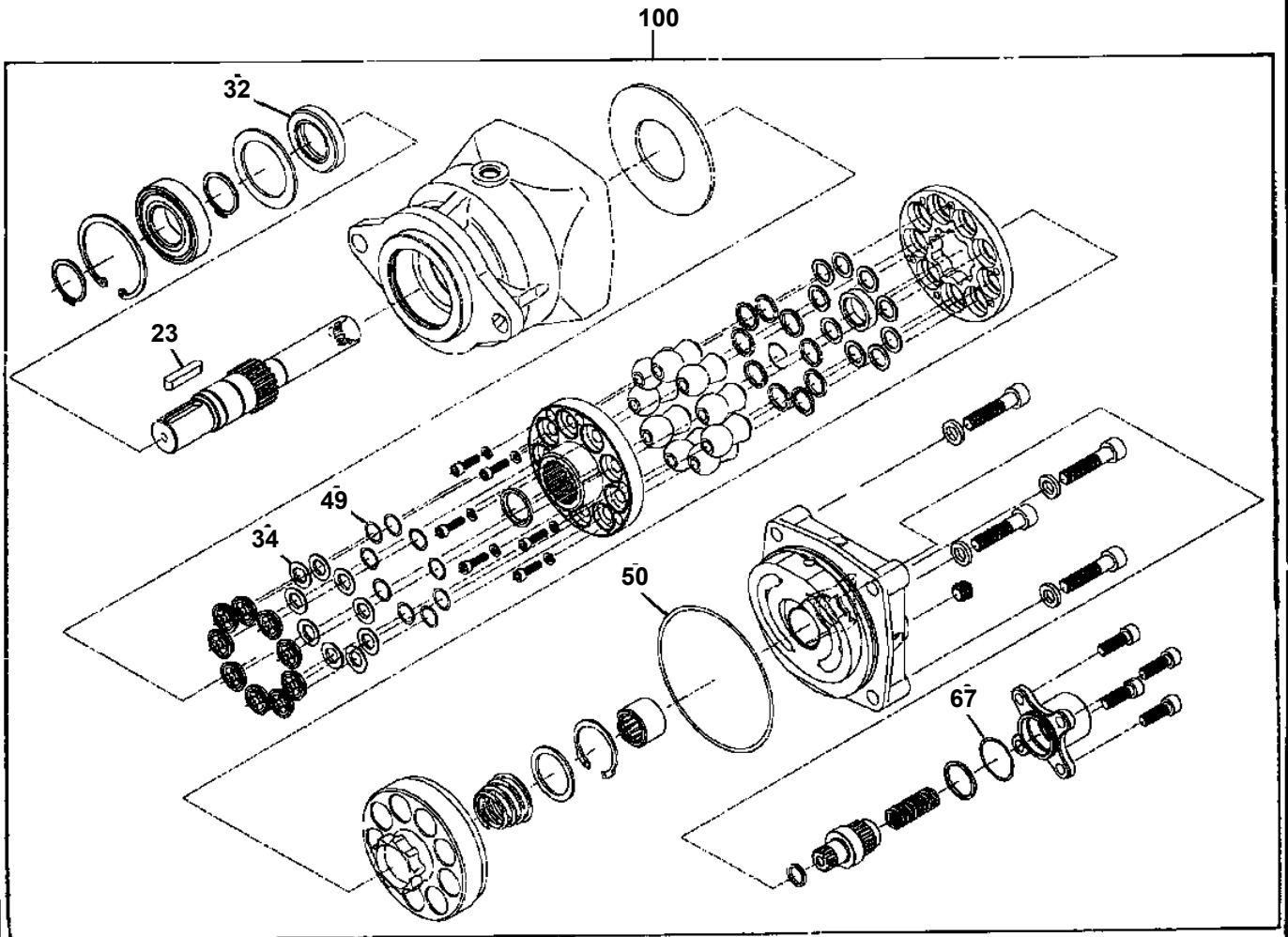
**BT-100-1-00003 UPPER  
PH5031680-00 HARNESS**

100



**BT-100-1-00003 UPPER**  
**PI1010077-01 MOTOR, HYDRAULIC (SWING)**

MOTOR, HYDRAULIC (SWING)

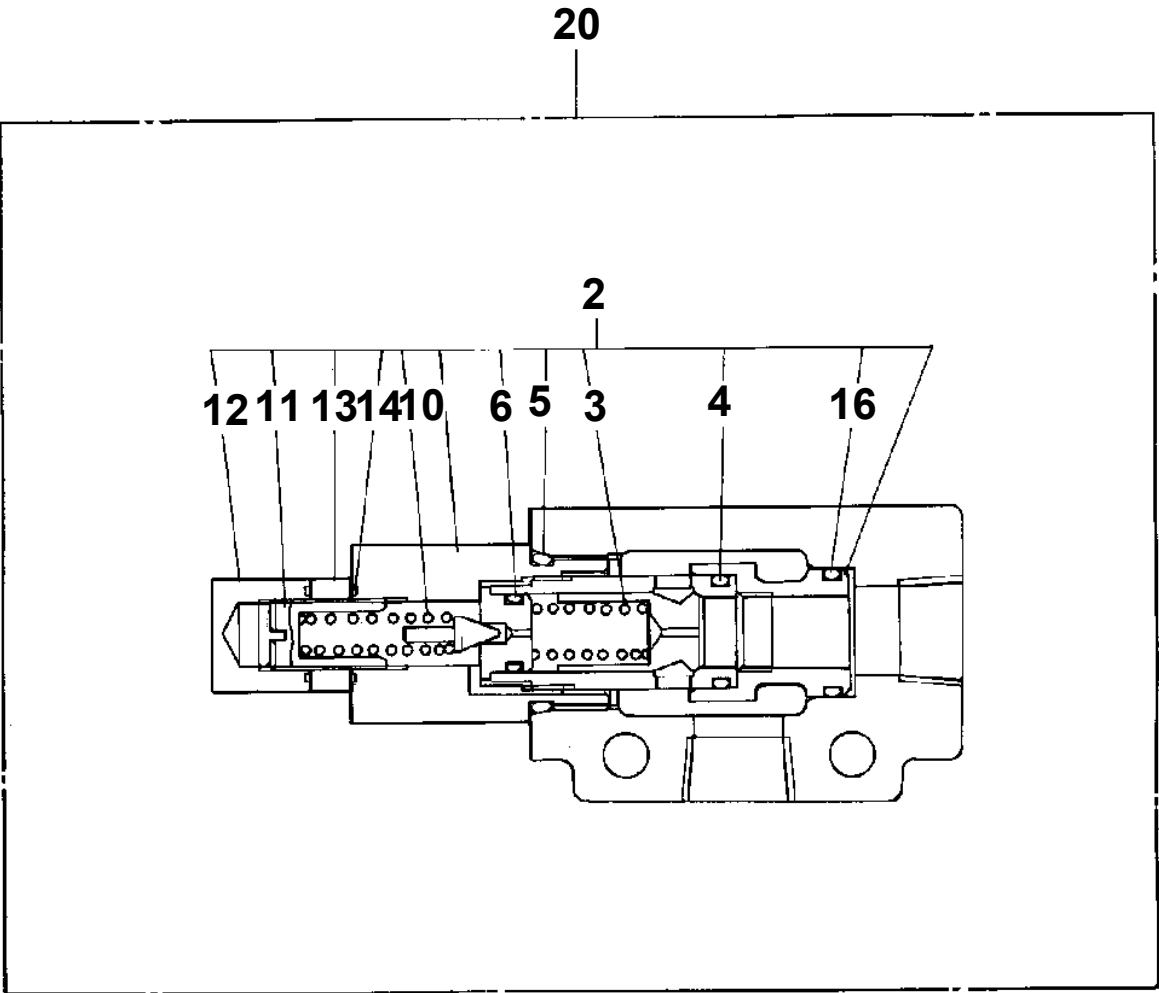


\*SEAL KIT KEY NO.80:(KEY NO. 32,34,49,50,67)

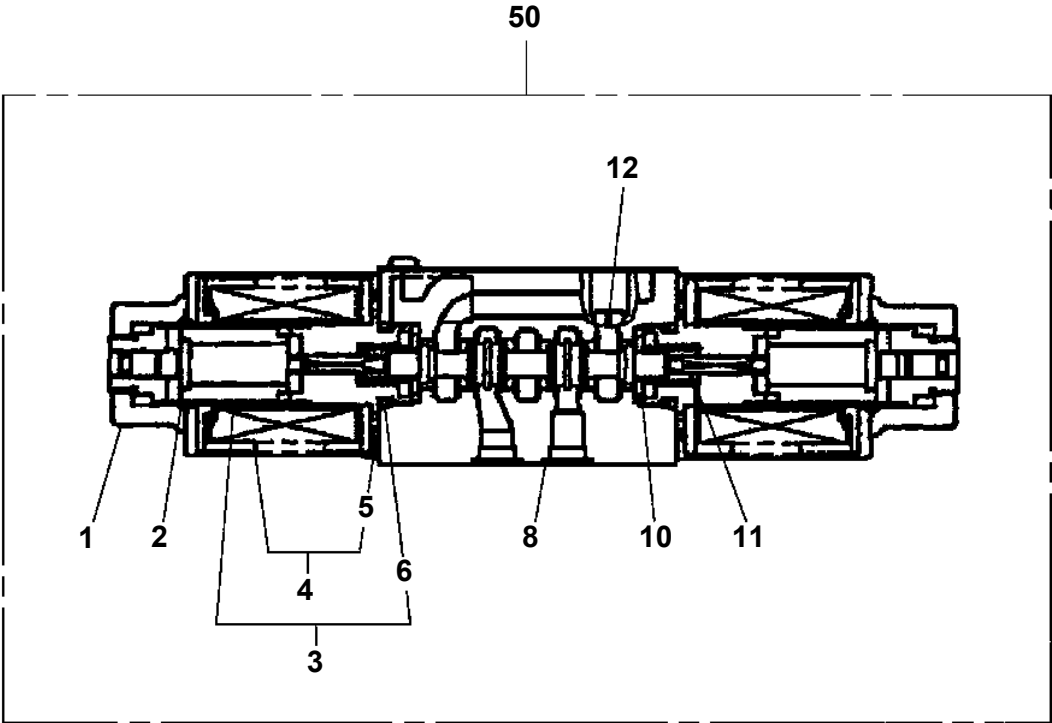
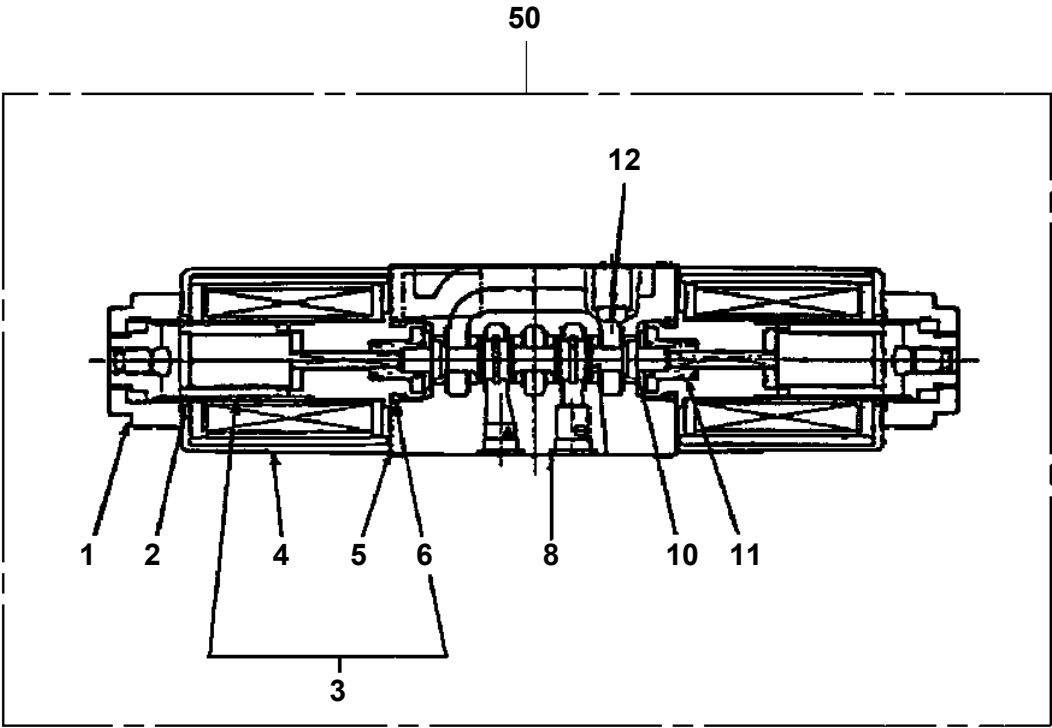
**BT-100-1-00003 UPPER**  
**PI1100060-01 VALVE,RELIEF**

ASSEMBLY    INCHES    VALVE, RELIEF

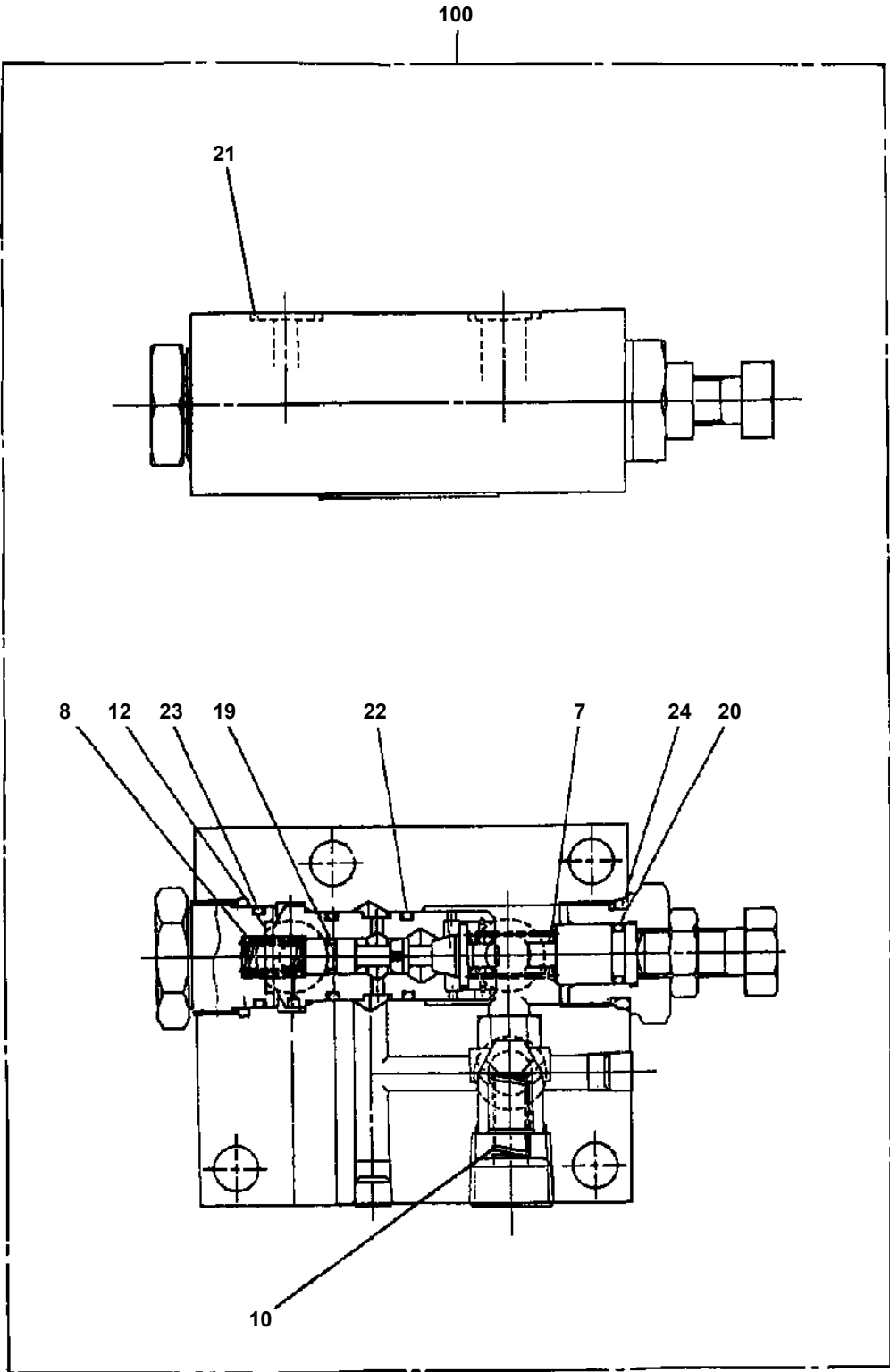
PI1100060-01



**BT-100-1-00003 UPPER  
PI1120229-01 VALVE,SOLENOID**



**BT-100-1-00003 UPPER  
PI1250089-01 VALVE,COUNTERBALANCE**



CLICK HERE TO **DOWNLOAD** THE COMPLETE MANUAL

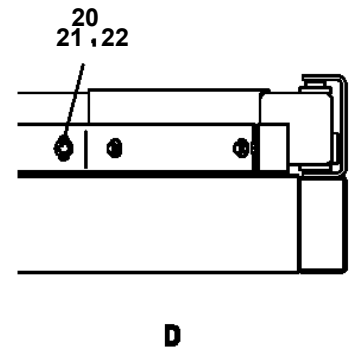
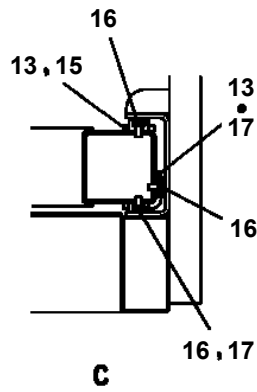
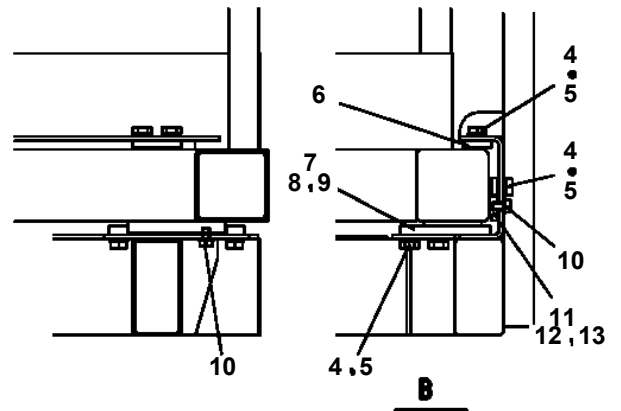
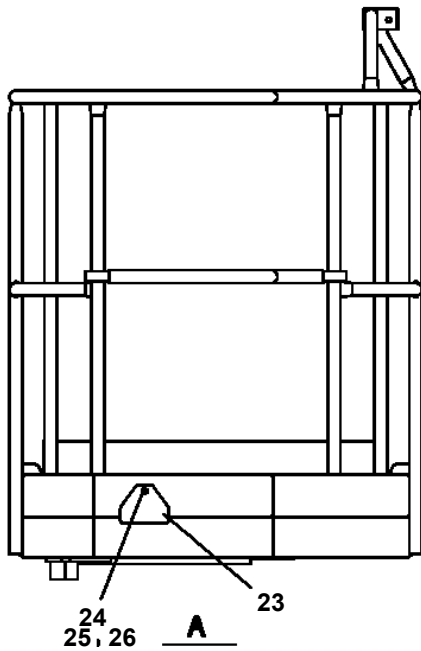
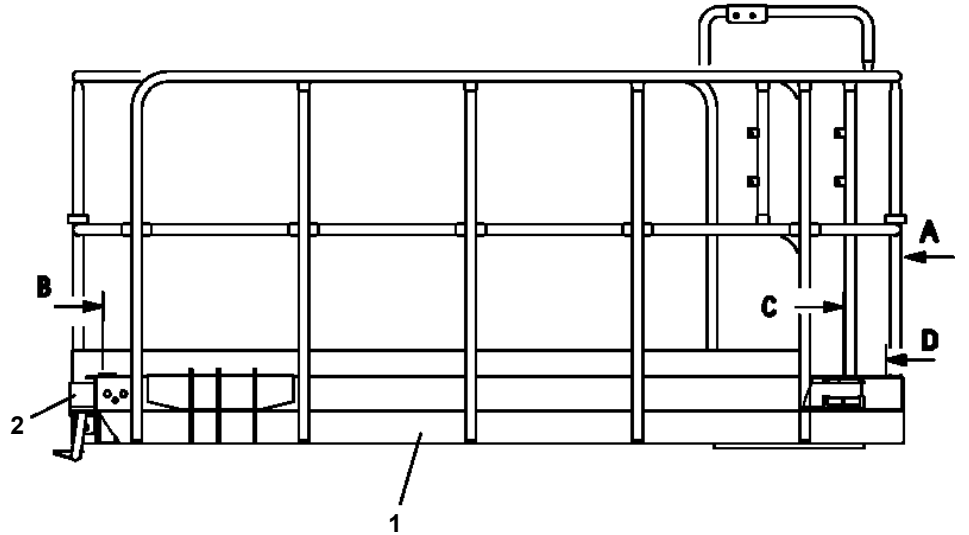
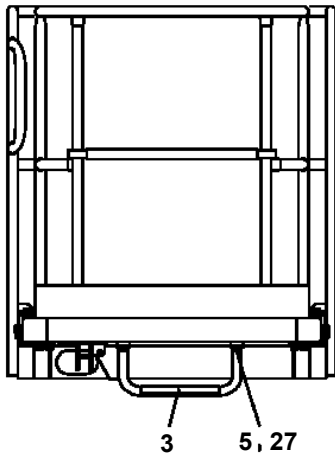
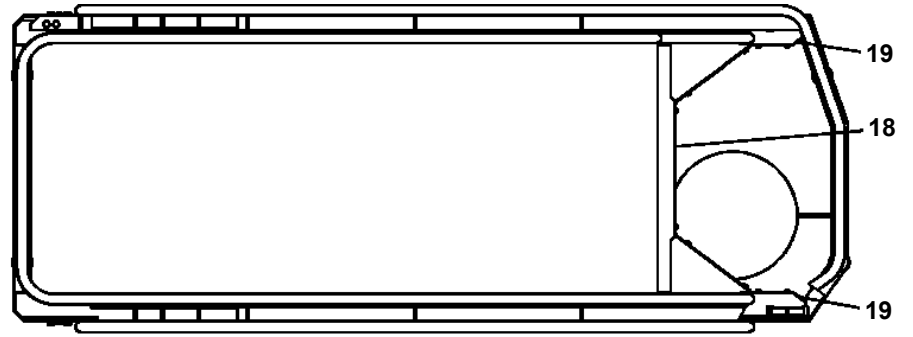
- Thank you very much for reading the preview of the manual.
- You can download the complete manual from: [www.heydownloads.com](http://www.heydownloads.com) by clicking the link below



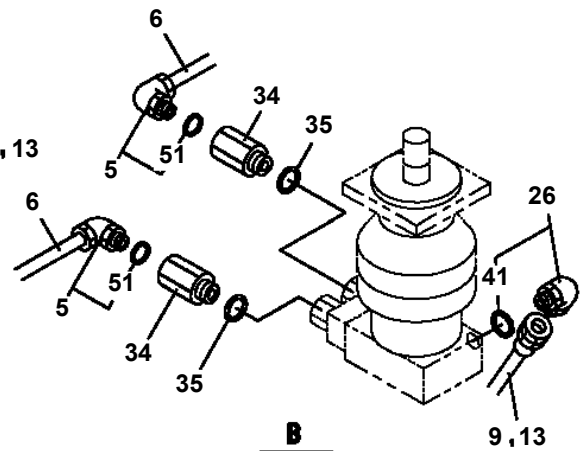
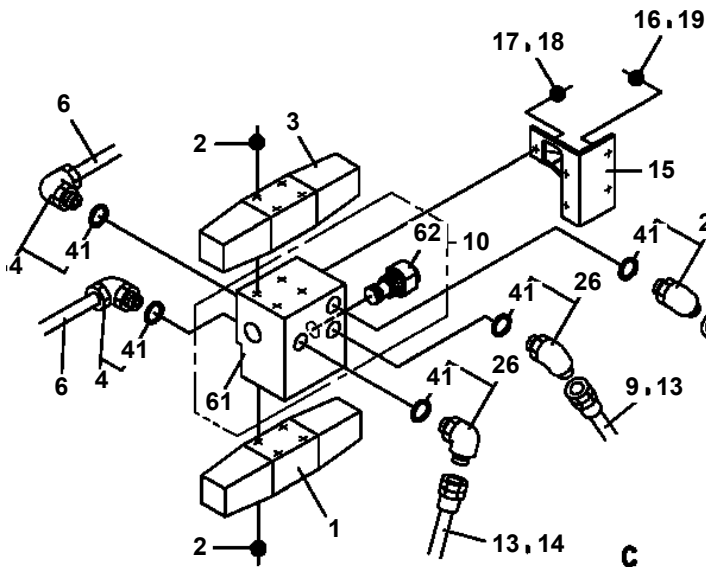
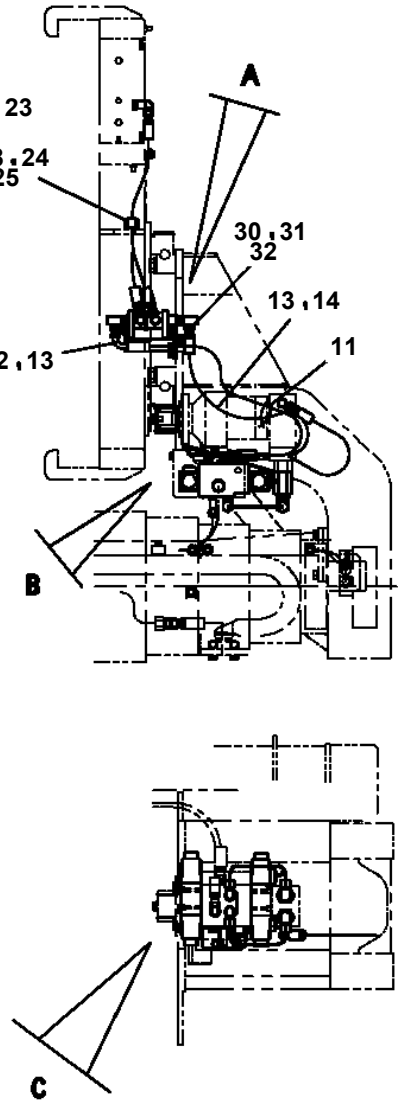
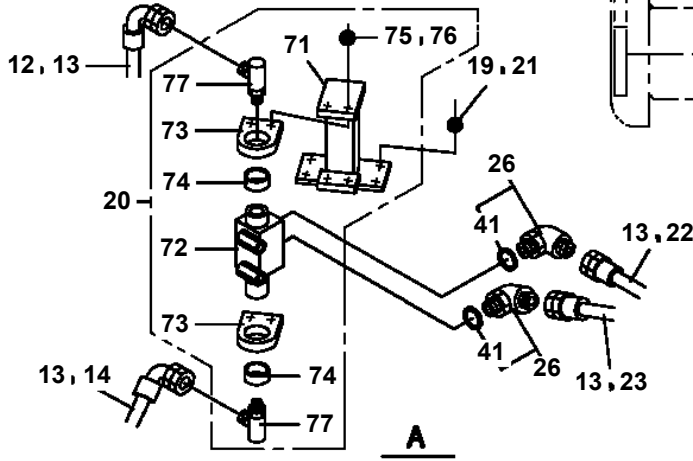
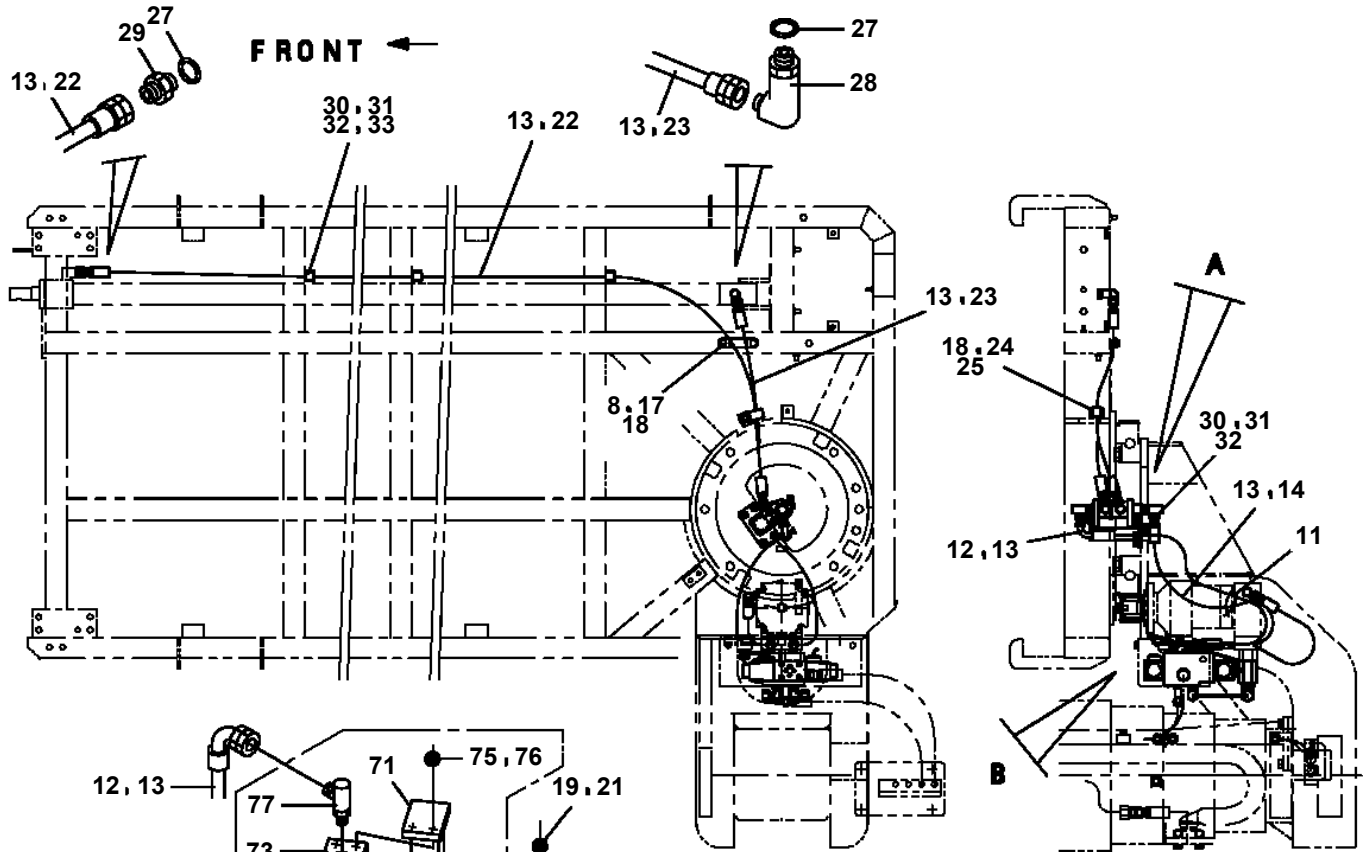
- Please note: If there is no response to CLICKING the link, please download this PDF first and then click on it.

CLICK HERE TO **DOWNLOAD** THE COMPLETE MANUAL

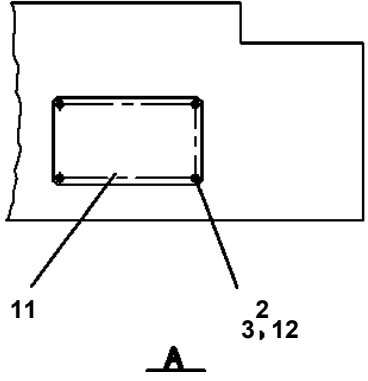
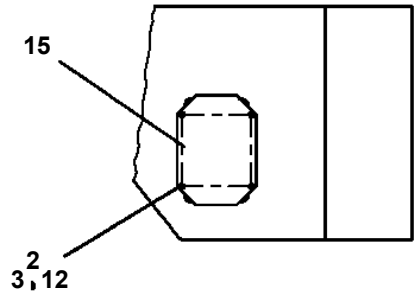
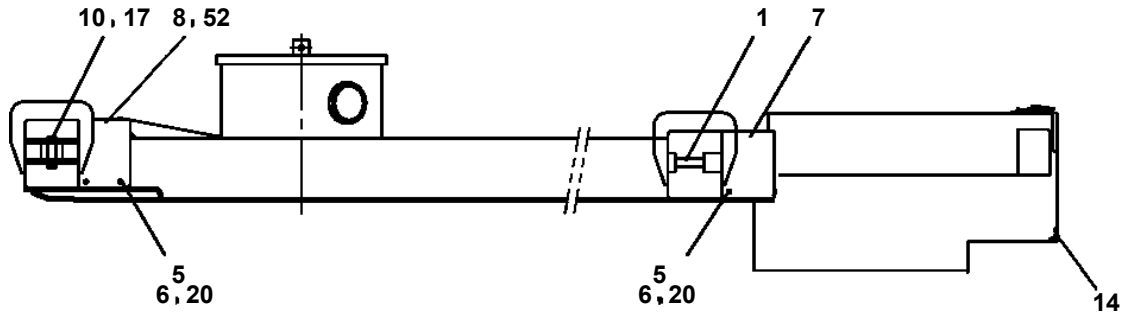
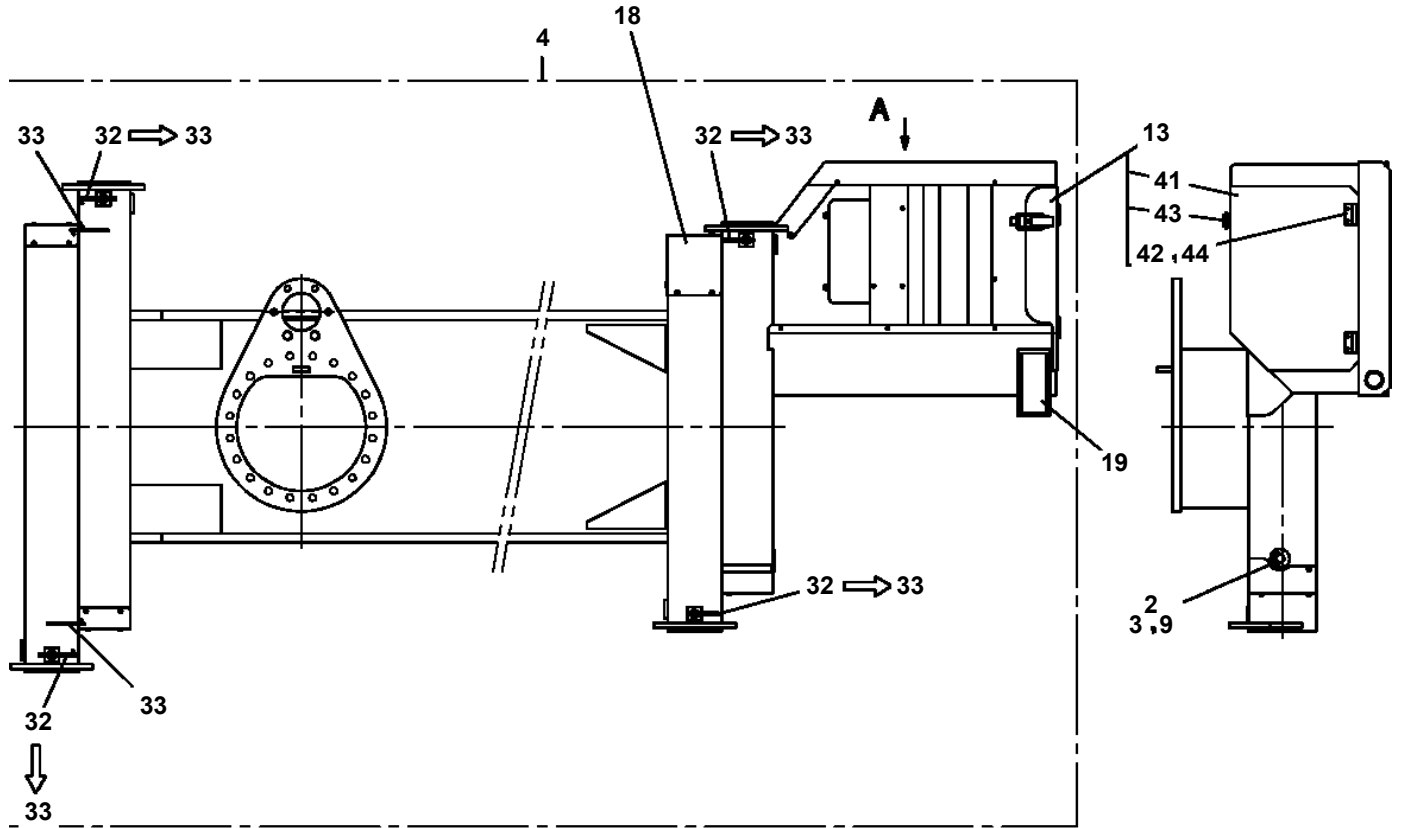
**BT-100-1-00003 UPPER  
PJ3070038-01 PLATFORM**



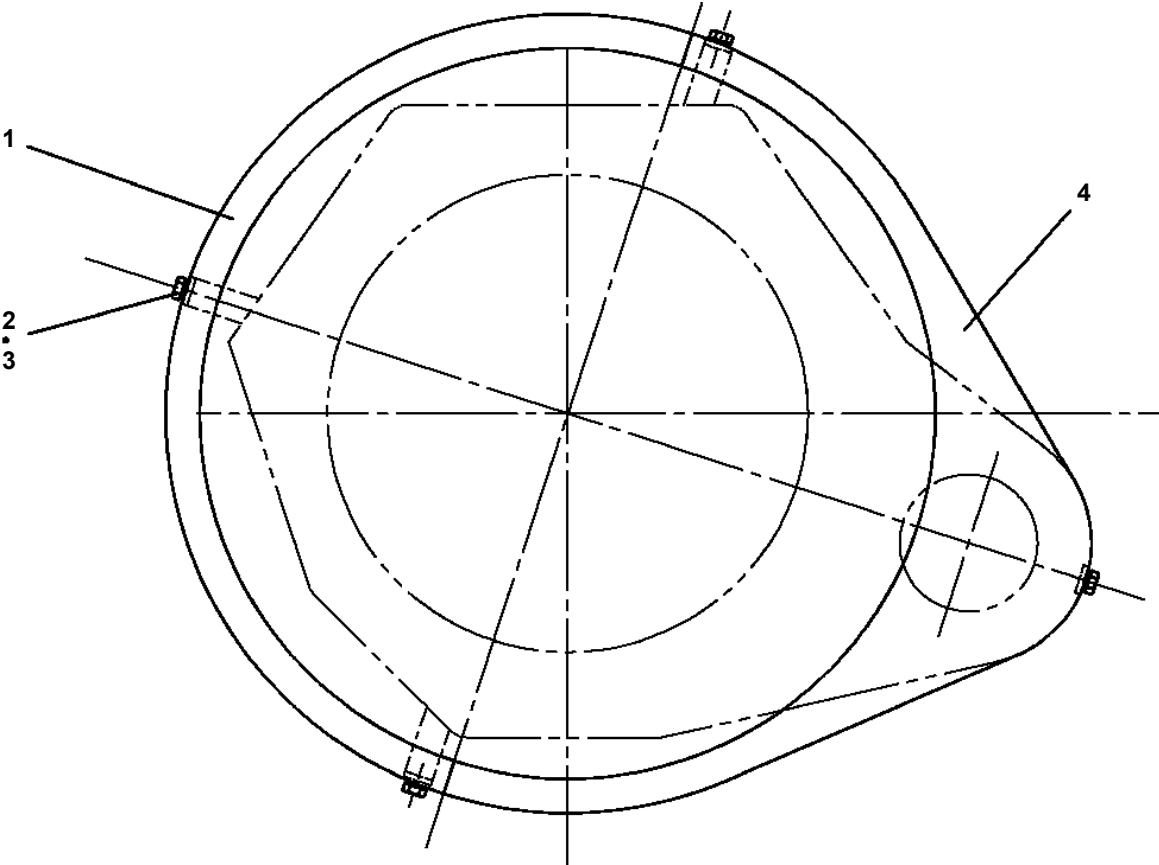
**BT-100-1-00003 UPPER  
PJ3110009-00 PIPING, PLATFORM**



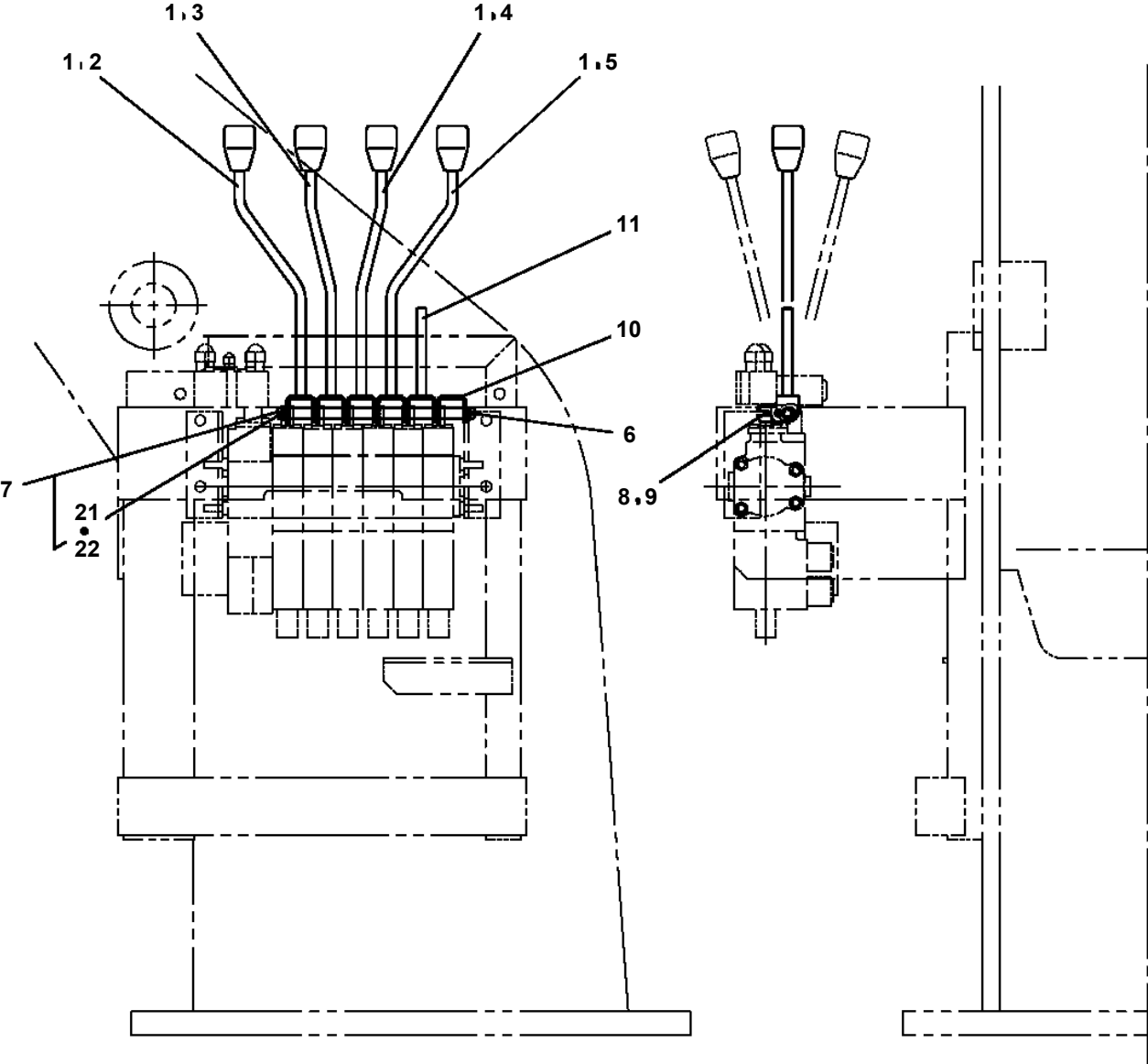
**BT-100-1-00003 UPPER  
PK1010428-00 FRAME**



**BT-100-1-00003 UPPER  
PK1200153-00 COVER, SWING FRAME**



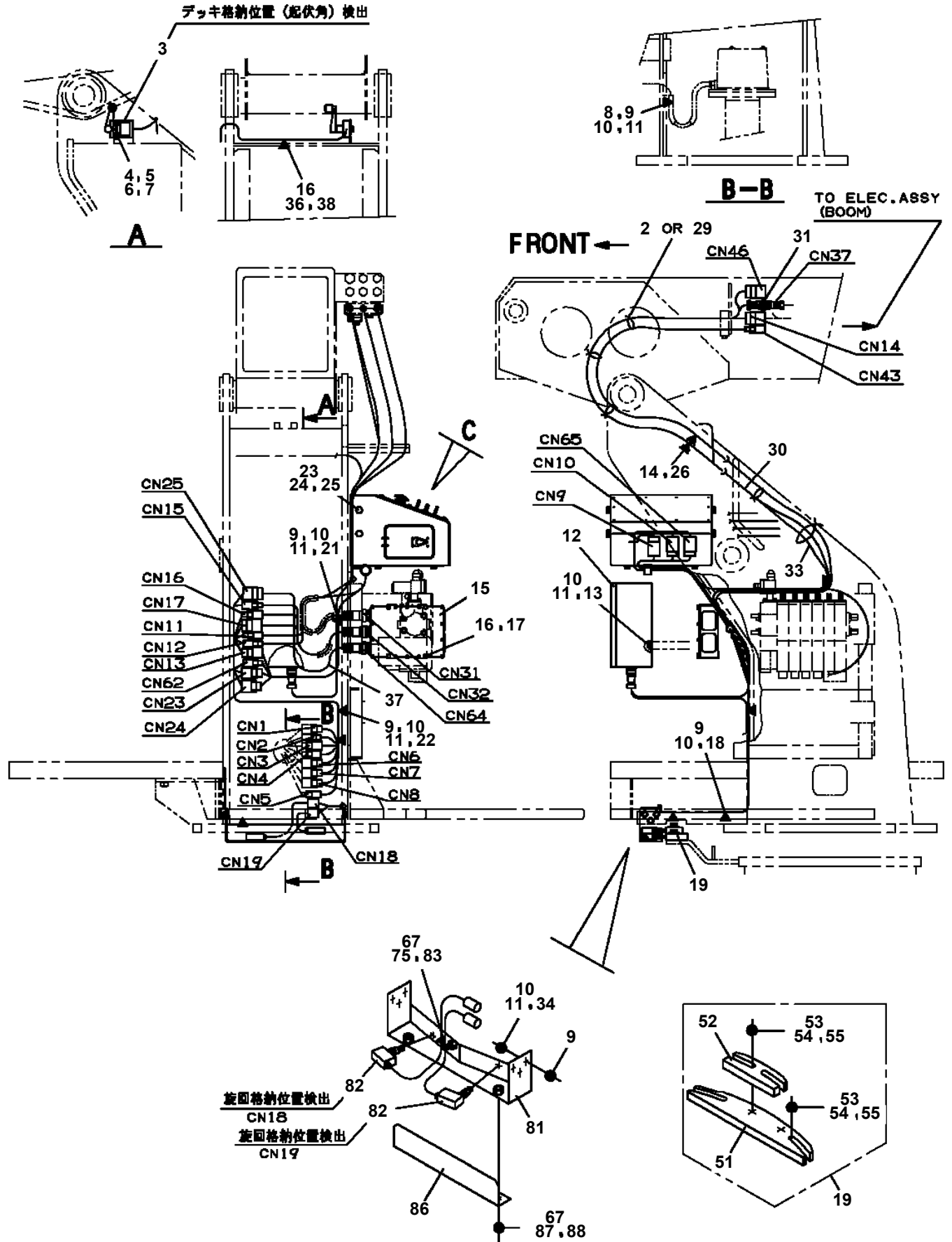
**BT-100-1-00003 UPPER**  
**PL1010675-02 OPE.ASSY,CONT.VALVE**



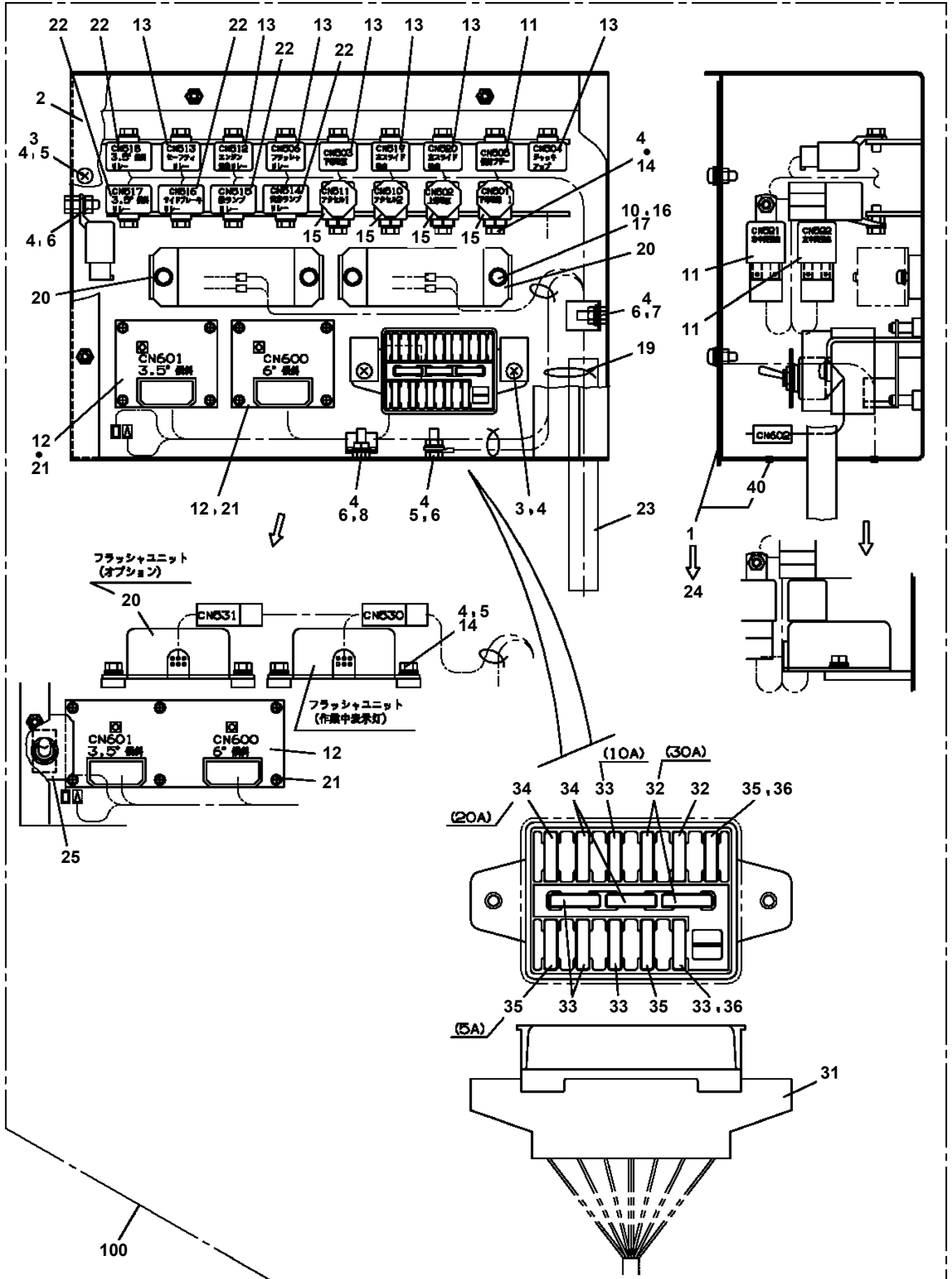
**BT-100-1-00003 UPPER**

Pos No.	Parts No	Parts Name	Qty	Unit	Technical Data	Serial No (Start)	Serial No (End)	Remarks
1	42351020101	CABLE	1		L=10620			
2	42351020201	CABLE	1					
3	42351020300	CABLE	1					
4	82100001804	TUBE,CORRUGATE	2	M	15			
5	82100001803	TUBE,CORRUGATE	1	M	13			
6	91810130250	FASTENER	17					
7	82100001412	TUBE,SPIRAL	7	M	SE-12BK			
8	82100002008	CLAMP	3		WR12			
9	90101206020	BOLT	3		M6X20			
10	90201200600	NUT	6		M6			
11	90302040601	WASHER,SPRING	6		6			
12	90303070601	WASHER,PLAIN	3		6			
13	82100002040	CLAMP	4		WE15			
14	37000300710	SLEEVE	1		12-8			
15	42351020400	HARNESS	1		L=2200			
16	82100002004	CLAMP	3		WR8			
19	42351040500	SWITCH ASSY	1					
20	90131505025	BOLT,HEXAGON SOCKET	2		M5X25			
21	90201200500	NUT	2		M5			
22	90302040501	WASHER,SPRING	2		5			
23	90303070501	WASHER,PLAIN	2		5			
24	42351020500	SUPPORT	1					
35	82100001996	SWITCH,LIMIT	1					

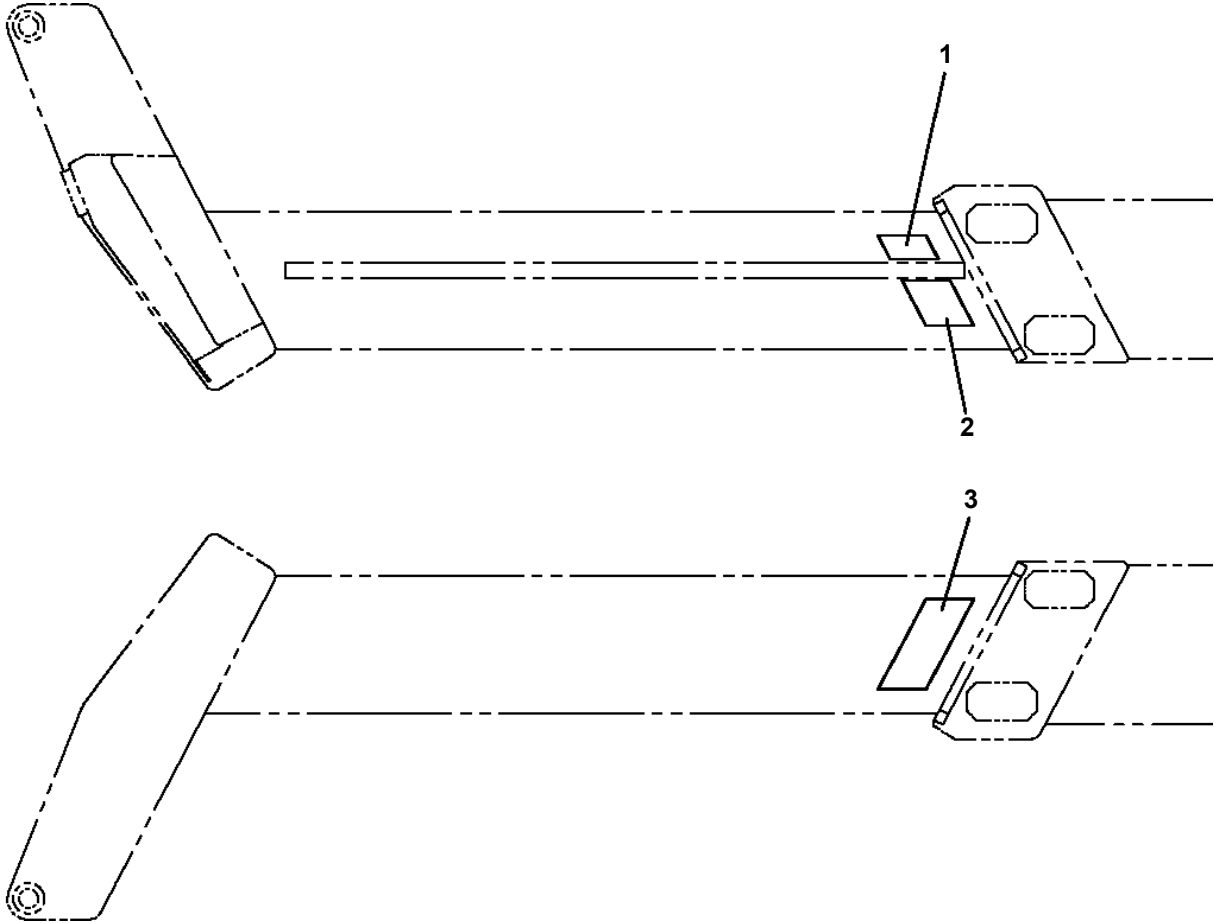
**BT-100-1-00003 UPPER  
PN1012001-03 ELEC.ASSY (SWING FRAME)**



BT-100-1-00003 UPPER  
PN1110162-04 RELAY

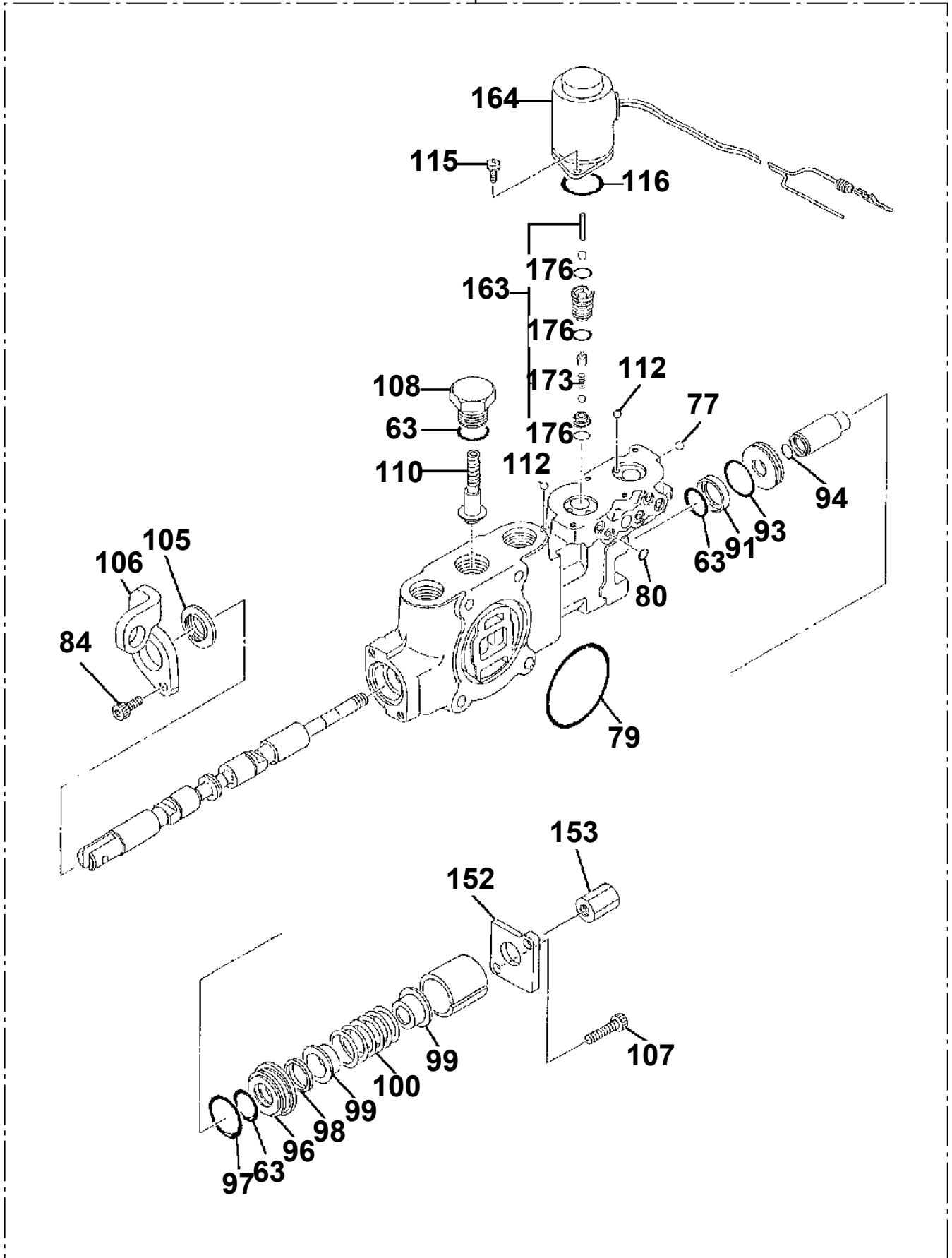


**BT-100-1-00003 UPPER  
PO1050082-00 MARKING (BOOM)**



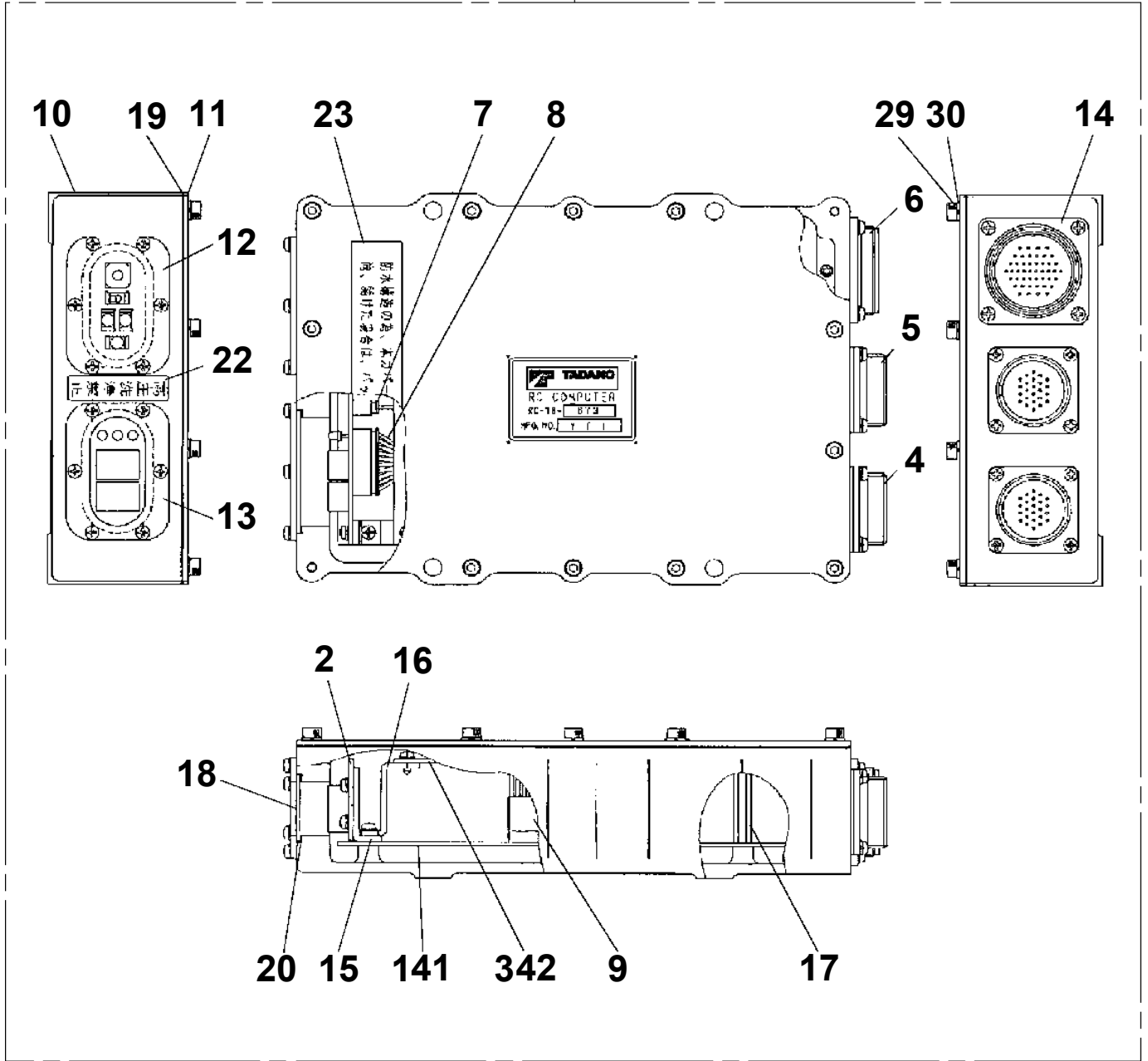
**BT-100-1-00003 UPPER  
PV1020116-03 VALVE,REMOTE CONTROL**

**7 LEVELING**

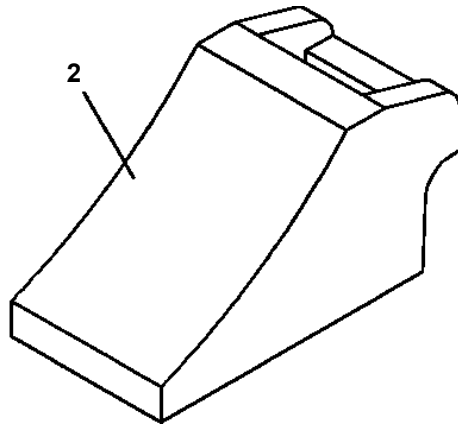


**BT-100-1-00003 UPPER**  
**PV1040070-00 CONTROL BOX (KOREAN VOICE)**

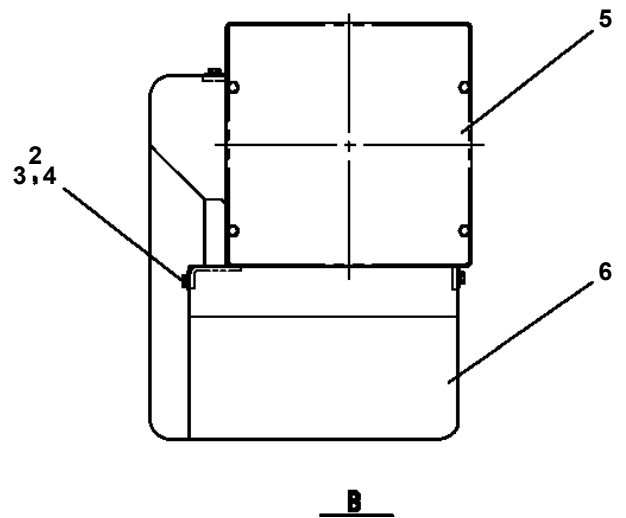
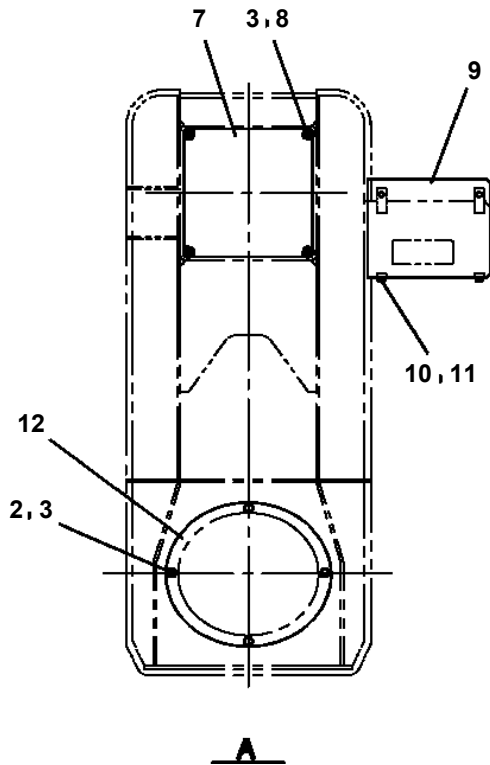
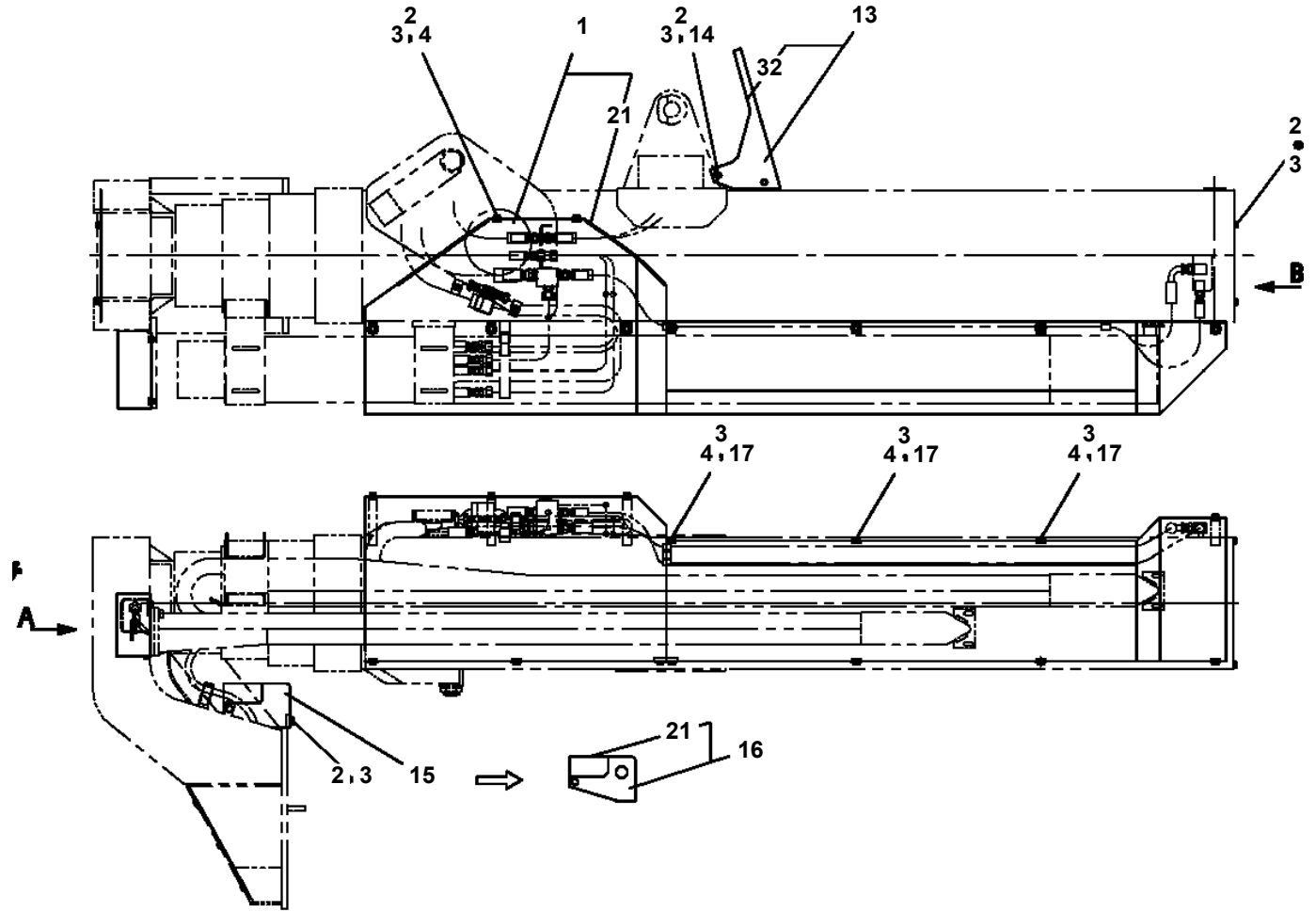
100



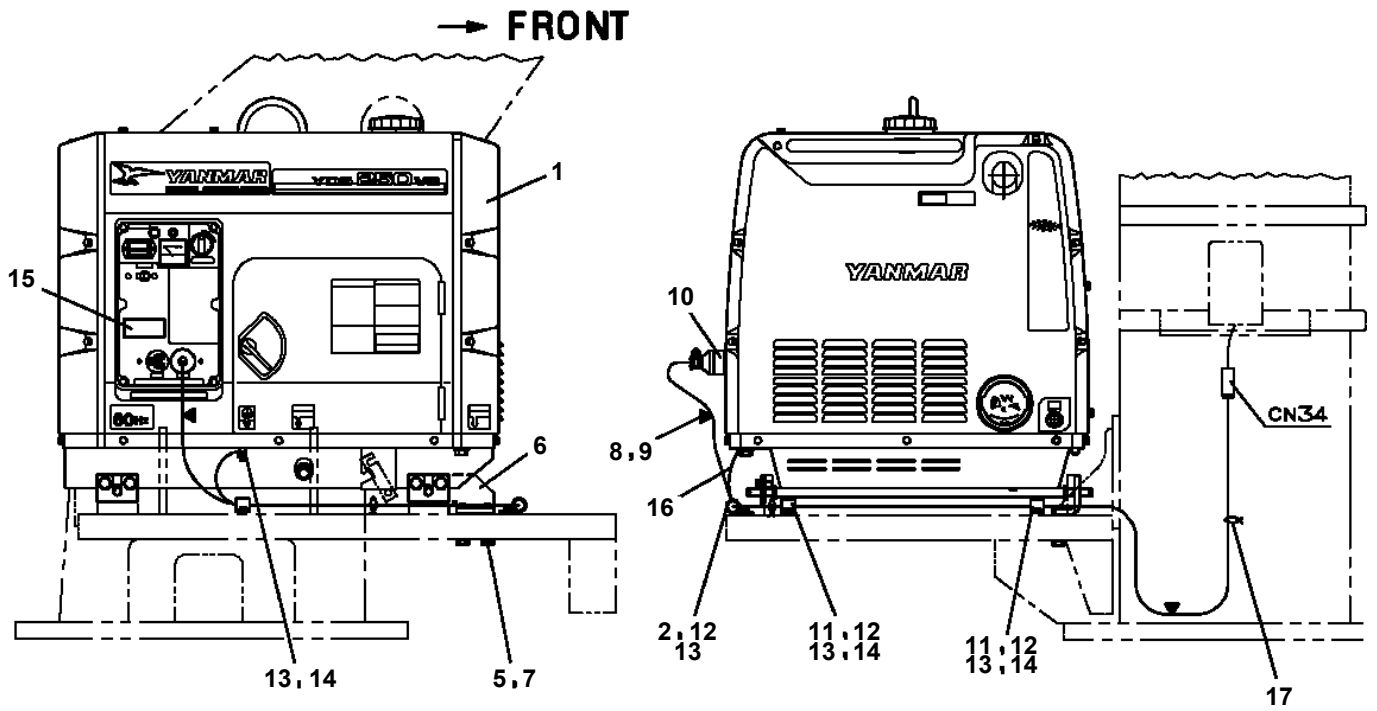
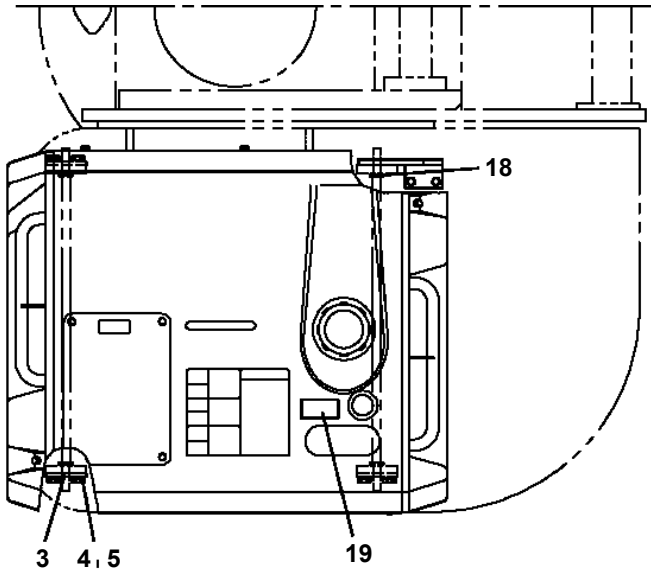
**BT-100-1-00003 UPPER**  
**PW1050011-00 STOPPER,TIRE**



**BT-100-1-00003 UPPER  
PX1250120-00 COVER (POST)**



**BT-100-1-00003 UPPER**  
**PX1480049-01 MOUNT,GENERATOR (YANMAR/100V,60HZ,2.5KVA)**



15  
 雨降り時  
 発電機使用禁止  
489-982-00180

19  
 燃料タンク容量  
 15ℓ

CLICK HERE TO **DOWNLOAD** THE COMPLETE MANUAL

- Thank you very much for reading the preview of the manual.
- You can download the complete manual from: [www.heydownloads.com](http://www.heydownloads.com) by clicking the link below



- Please note: If there is no response to CLICKING the link, please download this PDF first and then click on it.

CLICK HERE TO **DOWNLOAD** THE COMPLETE MANUAL